



PAGE PRINTER

FS-6700



PARTS CATALOGUE

13-11-1998

FS-6700 Parts Catalogue

Table of Contents

Enclosure (Fig.1)	3
Frame (Fig.2).....	6
Drive (Fig.3).....	9
Controller (Fig.4).....	11
Feed-transfer Unit (Fig.5).....	13
Fuser (Fig.6).....	16
Cassette (Fig.7).....	19
Drum (Fig.8).....	21
Scanner (Fig.9).....	24
Developer (Fig.10).....	26
Multi-purpose Tray (Fig.11).....	29

Introduction

The figures which follow depict the major assemblies of the printer or option, broken down into components. Following each figure are the list giving the following information:

'Ref No.' Reference number which corresponds to the parts in the figure
'Part code'..... Part code which identifies the part
'Part description' A brief description of the part
'Quantity'..... Quantity of the part used in the printer or option

Only the parts highlighted in BOLD should be ordered. All other parts are for reference only and are not stocked.

Consumables and Maintenance Kits

TK-20H	Toner Kit
G-3	Grid Cleaner
MK-25	Maintenance Kit (300K pages)
	Drum
	Developer
	Fuser
	Drive Assy
	Feed Trans Assy

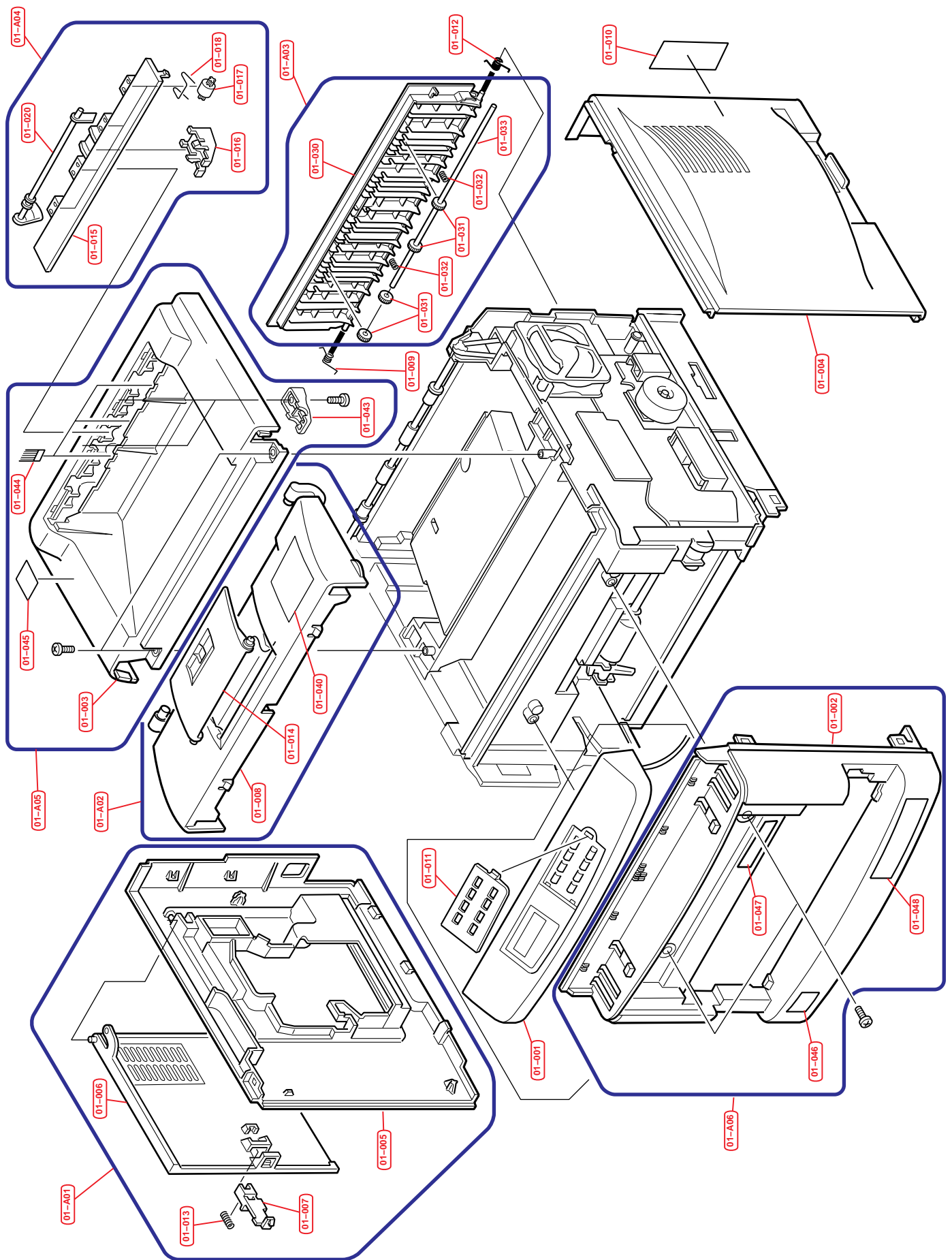


Fig.1 - Enclosure

Ref No.	Part Code	Description	Quantity
01-001	5AAY6700E*05	KEY BOARD ASSY English	
01-001	5AAY6700F*02	KEY BOARD ASSY French	
01-001	5AAY6700A*03	KEY BOARD ASSY US	
01-001	5AAYLS66J*38	KEY BOARD ASSY Japan	
01-002	5MVB986CH001	COVER FRONT	
01-003	5MVB986CH002	COVER TOP	
01-004	5MVB885CH003	COVER RIGHT	
01-005	5MVB885CH002	COVER LEFT	
01-006	5MVB873CH003	COVER SIDE	
01-007	5MVX432CH001	LEVER SIDE	
01-008	5MVB976CH001	LID TOP	
01-009	5MMW161SD007	SPRING REAR L	
01-010	5MVVMLS66J*1	RATING LABEL	
01-011	5MVS651CH016	PANEL LS	
01-011	5MVS651CH001	PANEL ENGLISH	
01-012	5MMW161SD008	SPRING REAR R	
01-013	5MMW166LD008	SPRING LEVER	
01-014	5MVB761SH009	STOPPER FD	
01-015	5MVX853CH001	FRAME FD	
01-016	5MVX332DB012	GUIDE STOCK	
01-017	5MVM273DB003	ROLLER PINCH	
01-018	5MMW251LD025	SPRING PULLEY	
01-020	5MVX335CB001	ACTUATOR FD	
01-021	5MVB866CH004	PANEL FRONT English	
01-021	5MVS651CH003	PANEL FRONT French	
01-021	5MVB866CH003	PANEL FRONT US	
01-021	5MVB866CH001	PANEL FRONT Japan	
01-022	5MVS756CN001	COVER PANEL	
01-022	5MVS756CN003	COVER PANEL Japan	
01-023	5MVX752SH001	BUTTON	
01-024	5MVS751RC001	SHEET PWB KEY	
01-025	5MVS752CX001	SHEET BUTTON	
01-026	5MVS229RB011	SEAL LCD	
01-027	5MVS752XF001	SEAL PANEL	
01-028	5AAPRKBC2001CH	P.W.BOARD ASSY	
01-029	5AACCNQL9GEA	CONN.CORD ASSY	
01-030	5MVX863CH001	COVER REAR	
01-031	5MVM176DB016	PULLEY EXIT FD	
01-032	5MMW251LD033	SPRING PULLEY B	
01-033	5MMT833SD001	SHAFT EXIT	
01-040	5MVVL761WN46	LABEL DIAGRAM FE22 Japan	
01-040	5MVVL761WB47	LABEL DIAGRAM FE22	
01-043	5MVB432DH001	GUIDE STOCK B	
01-044	5MVS337FF002	DISCHARGER FD	
01-045	5MVVL431WN33	LABEL CAUTION J	

Ref No.	Part Code	Description	Quantity
01-046	5MVVL331GE31	LABEL ENERGystAR	
01-047	5MVVL621GE63	LABEL CLEAN FE	
01-048	5MVVL721WN46	LABEL CAUTION FEED	
01-049	5MVVL331GE32	LABEL BLUE ANG. C	
01-A01	5AAVCOVER202	COVER LEFT ASSY	
01-A02	5AAVCOVER203	LID TOP ASSY	
01-A02	5AAVCOVER218	LID TOP ASSY	
01-A03	5AAYLS66J*42	COVER REAR ASSY	
01-A04	5AAVFRAME091	FRAME FD ASSY	
01-A05	5AAVCOVER220	COVER TOP ASSY w/o 01-045	
01-A05	5AAVCOVER212	COVER TOP ASSY Japan	
01-A06	5AAVCOVER210	COVER FRONT ASSY Japan	
01-A06	5AAVCOVER221	COVER FRONT ASSY	
01-A07	5AAVCOVER215	COVER TOP/LID ASSY	

Ref No.	Part Code	Description	Quantity
02-001	5MVB988CB001	FRAME BASE	
02-002	5MVM170RB002	BELT FD	
02-003	5MMX742SD002	PLATE EARTH	
02-004	5MVX744SB003	BRACKET M/P ROLL	
02-005	5MMT876SN062	ROLLER FD B	
02-006	5MVG327DN004	PULLEY FD	
02-007	5ENXGP1A73A**01	PT SENSOR GP1A73A	
02-008	5MMW161LD025	SPRING ACTUATOR	
02-009	5AAVROLER036	ROLLER M/P ASSY	
02-010	5MMX642LD003	PLATE EARTH FD	
02-011	5MVF276DN001	PULLEY TENSION FD	
02-012	5AACCNPR2GEA	CONN.CORD	
02-013	5MMX643SD004	BRACKET INLET	
02-014	5MVX753SB003	ROD INTERLOCK	
02-015	5MMW451LD001	SPRING INTERLOCK	
02-016	5MVX773SH005	COVER HV	
02-017	5MMX664LD001	CONTACT TC	
02-018	5MVB966CB003	FRAME MID	
02-019	5MMT866SN028	SHAFT M/P ROLL	
02-022	5EYYAFAAM01*03	CLUTCH M/P	
02-023	5MMX531LY001	CONTACT MCH	
02-024	5MVB663DN001	HOLDER FD GEAR	
02-025	5MMX422LD010	CONTACT HI MEG A	
02-026	5MMX654LD004	CONTACT HI MEG B	
02-027	5MVX321SB016	LEVER BOTTLE	
02-028	5MMW241LD014	SPRING LEVER BOTTLE	
02-031	5AAPRIFC1011AH	P.W.BOARD ASSY	
02-032	5AAXTR039VDA	TRANS ASSY	
02-033	5AAPRSSC1021AH	P.W.BOARD ASSY	
02-034	5AAPRIFC1021AH	P.W.BOARD ASSY	
02-035	5EZNF2402701*01	FAN MOTOR	
02-036	5MVM176DN019	BUSH POM A	
02-037	5MVG137DB069	GEAR FD	
02-038	5MVM210DB002	BUSH REGIST	
02-039	5MMT876SN061	ROLLER FD A	
02-041	5MVM162DN005	BUSH FD R	
02-046	5MVX222SB012	ARM M/P A	
02-047	5MMW161LJ043	SPRING M/P ARM	
02-048	5MVX532SB007	ACTUATOR M/P	
02-049	5AACCNQL8GEA	CONN.CORD	
02-050	5AACCNQL7GEA	CONN.CORD	
02-051	5AACCNQN1GEA	CONN.CORD	
02-052	5AACCNQM0GEA	CONN.CORD	
02-053	5AACCNQL2GEA	CONN.CORD	
02-054	5AACCNQL3GEA	CONN.CORD	

Ref No.	Part Code	Description	Quantity
02-056	5AACCNQM2GEA	CONN.CORD	
02-057	5AACCNQM3GEA	CONN.CORD	
02-060	5MVG158DN036	GEAR M/P Z43S	
02-061	5MMX665LD003	CONTACT SEPARATE	
02-062	5AACCNQL4GEA	CONN.CORD S02255	
02-063	5MVX221DN011	CAM M/P	
02-064	5MMT566SN004	SHAFT M/P CL	
02-065	5MMU364SD001	BRACKET CLUTCH	
02-066	5MMX411LD005	PLATE EARTH M/P B	
02-067	5MVM176DB017	BUSH M/P ROLL	
02-068	5MVX321DN012	LEVER M/P BOTTOM	
02-069	5MMW271LD009	SPRING SOLENOID	
02-070	5EZSA2402010101	SOLENOID ASSY	
02-071	5MVG148DN041	GEAR M/P Z32S	
02-072	5MMW276SJ001	SPRING M/P CL	
02-073	5MVF277DN002	SLEEVE M/P CL	
02-074	5MVM270DN002	COLLAR M/P CL	
02-075	5MVS642KF007	SHEET FAN A	
02-076	5MVS642KF008	SHEET FAN B	
02-077	5MMS841AX001	SHEET HEAT FRAME	
02-078	5MVM176DN019	BUSH POM A	
02-079	5MMW161LD042	SPRING ACTUATOR	
02-080	5MVS762KF008	SHEET HI VOLTAGE	
02-A01	5AAYLS66J*23	INLET ASSY	
02-A02	5AAYLS66J*24	BRACKET ASSY	
02-A03	5AAYLS66J*25	COVER HV ASSY	
02-A04	5AAY1700E*43	DLP LOCK ASSY	
02-A05	5AAYLS66J*41	BRACKET CL ASSY	
02-A06	5AAY1700E*34	PIN HV ASSY	
02-A07	5AAVCLTCH014	M/P CL ASSY	
02-A08	5AAYLS66J*44	FAN MOTOR ASSY	

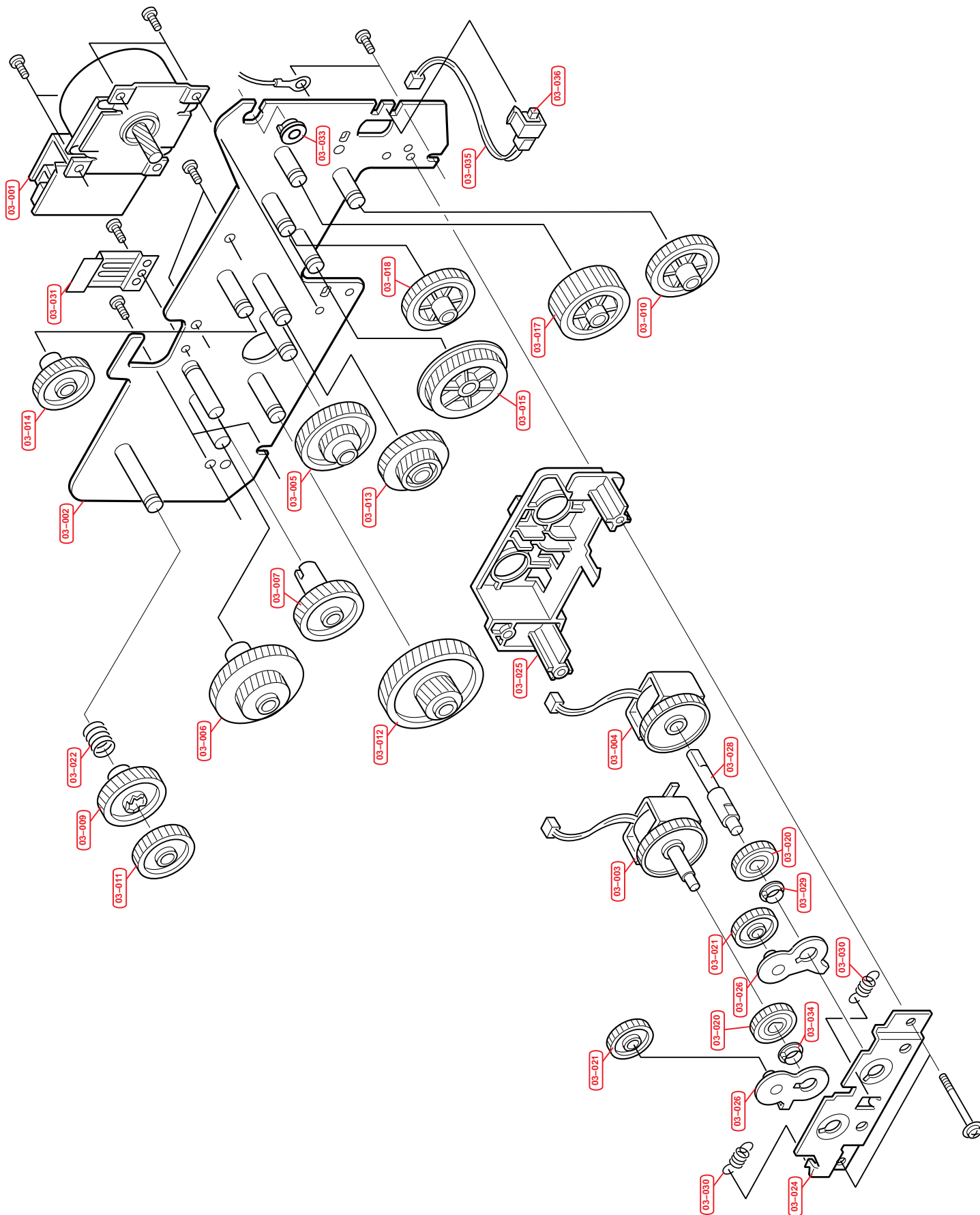


Fig.3 – Drive

Ref No.	Part Code	Description	Quantity
03-000	5AAYLS66J*34	DRIVE UNIT	1
03-000	5AAYLS66J*48	DRIVE GEAR PACK	1
03-001	5AAXMT034GEA	MOTOR MAIN	
03-002	5MMX875SL004	PLATE DRIVE	
03-003	5EYYALAAJ01**01	CLUTCH REGIST	
03-004	5EYYAFAAM01**01	CLUTCH FEED	
03-005	5MVG169DN026	GEAR Z78H-Z24H	
03-006	5MVG169DN024	GEAR Z55H-Z31H	
03-007	5MVG158DN030	GEAR Z41H	
03-009	5MVG148NN006	GEAR Z39H	
03-010	5MVG158DN032	GEAR Z44S A	
03-011	5MVG148NN005	GEAR Z34S	
03-012	5MVG169DN025	GEAR Z96H-Z21H	
03-013	5MVG158DN029	GEAR Z41H-Z25H	
03-014	5MVG148DN040	GEAR Z33H	
03-015	5MVG159DN010	GEAR Z50H-Z49S	
03-017	5MVG158DN031	GERA Z46S B	
03-018	5MVG158DN033	GEAR Z45S	
03-020	5MVG138DN021	GEAR CLUTCH Z26S	
03-021	5MVG137DN025	GEAR Z24S	
03-022	5MMW361LD011	SPRING FREE	
03-024	5MMS747SD002	PLATE CLUTCH	
03-025	5MVB764DN001	HOLDER CLUTCH	
03-026	5MMX532SL013	PLATE JOINT CL	
03-028	5MMT665SD001	SHAFT CLUTCH	
03-029	5MMM176DB008	BUSHING STOP	
03-030	5MMW261LD006	SPRING JOINT	
03-031	5MMX431LD004	PLATE EARTH DRIVE	
03-033	5MVM176DB012	BUSH POM B	
03-034	5MMM165CJ005	BUSHING SBK	
03-035	5AACCNQR4GEA	CONN. CORD ASSY	
03-036	5ESP01000100*01	PUSH SWITCH	

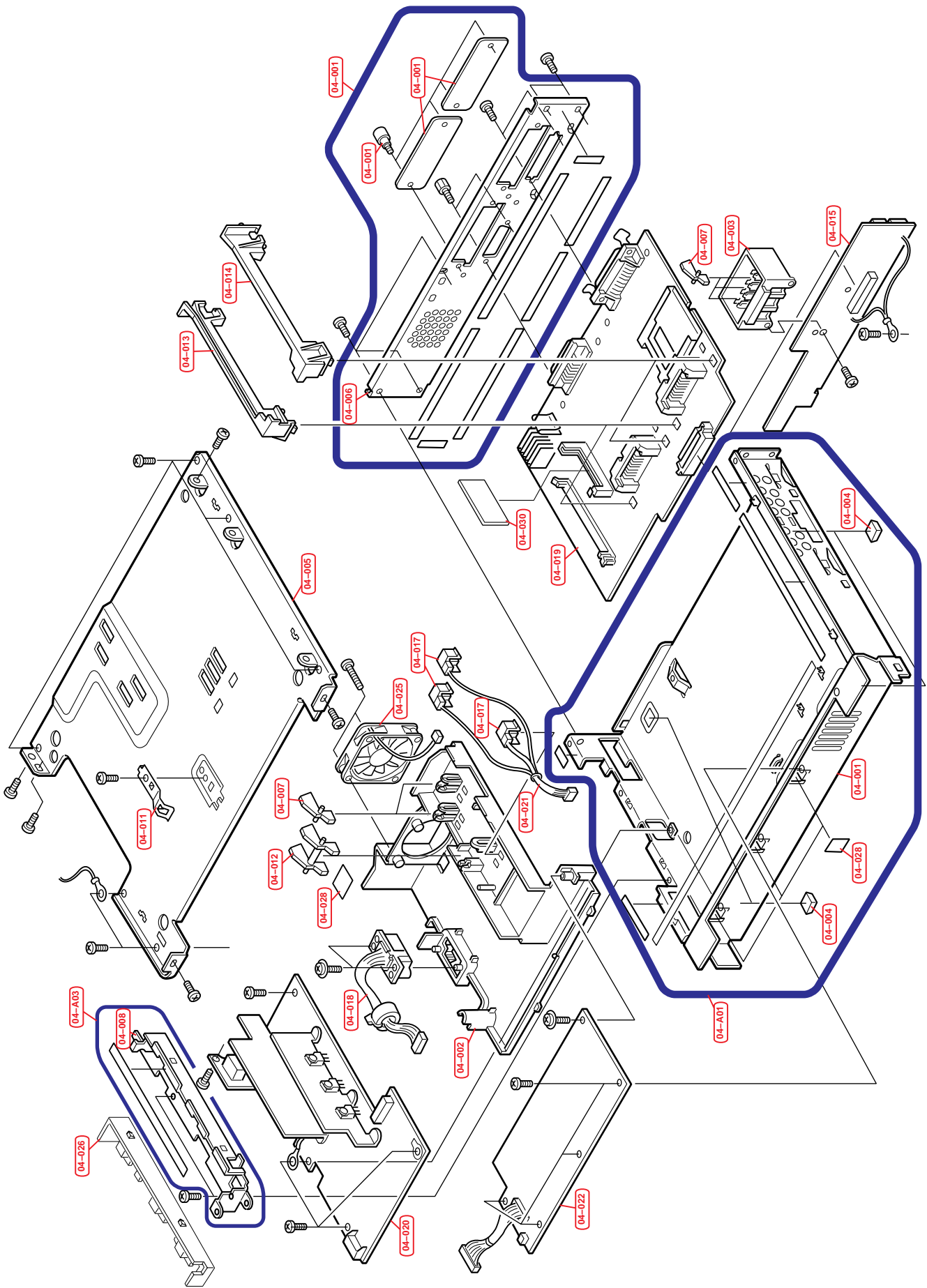


Fig.4 – Controller

Ref No.	Part Code	Description	Quantity
04-001	5MMB986SD003	BOX CONTROLLER	
04-002	5MVB876SB015	BRACKET PWB	
04-003	5MVB743SB004	BRACKET SIZE CASS B	
04-004	5MVX221RB005	FOOT	
04-005	5MMB982SD001	LID CONTROLLER	
04-006	5MMB961SD001	PANEL REAR	
04-007	5MVX332DN003	ACTUATOR SIZE CASS A	
04-008	5MML854SD002	COVER CONTROLLER	
04-010	5MMS636SD009	PLATE OPTION	
04-011	5MMX622LD001	PLATE RELEASE CONT	
04-012	5MVX433DB005	ACTUATOR SIZE CASS B	
04-013	5MVB743SL001	RAIL OPTION L	
04-014	5MVB743SL002	RAIL OPTION R	
04-015	5AAPRIFR2008AH	PWB Assy KP-616 Connect	
04-016	5MMT263SN012	SCREW OP	
04-017	5ESP01000101*01	PUSH SWITCH	
04-018	5AACCNQL5GEA	CONN.CORD ASSY	
04-019	5AAPRLGR4003BH	PWB ASSY KP-613 main	
04-019	5AAPRLGR4003AH	PWB ASSY KP-613 main Japan	
04-020	5AAEZ6700E*1	SWITCHING REGULATOR 240V	
04-020	5AAEZ6700A*1	SWITCHING REGULATOR 120V	
04-020	5AAEZLS66J*1	SWITCHING REGULATOR 100V	
04-021	5AACCNQL6GEA	CONN.CORD ASSY	
04-022	5AAPRCZR2006BH	PWB ASSY KP-614 engine	
04-022	5AAPRCZR2006AH	PWB ASSY KP-614 engine Japan	
04-025	5EZNF2405002*01	FAN MOTOR	
04-026	5MVX842SH004	COVER CABLE	
04-027	5AACCNQQ9GEA	CONN.CORD ASSY	
04-028	5MVS332KF004	SHEET BOX SIDE	
04-030	5AAPRMEG4019DH	P.W.BOARD ASSY KP-610 Japan	
04-030	5AAPRMEG4019NH	P.W.BOARD ASSY KP-610	
04-A01	5AAYLS67J*01	BOX CONT ASSY	
04-A02	5AAYLS67J*02	PANEL REAR ASSY	
04-A03	5AAYLS67J*03	COVER CONT ASSY	

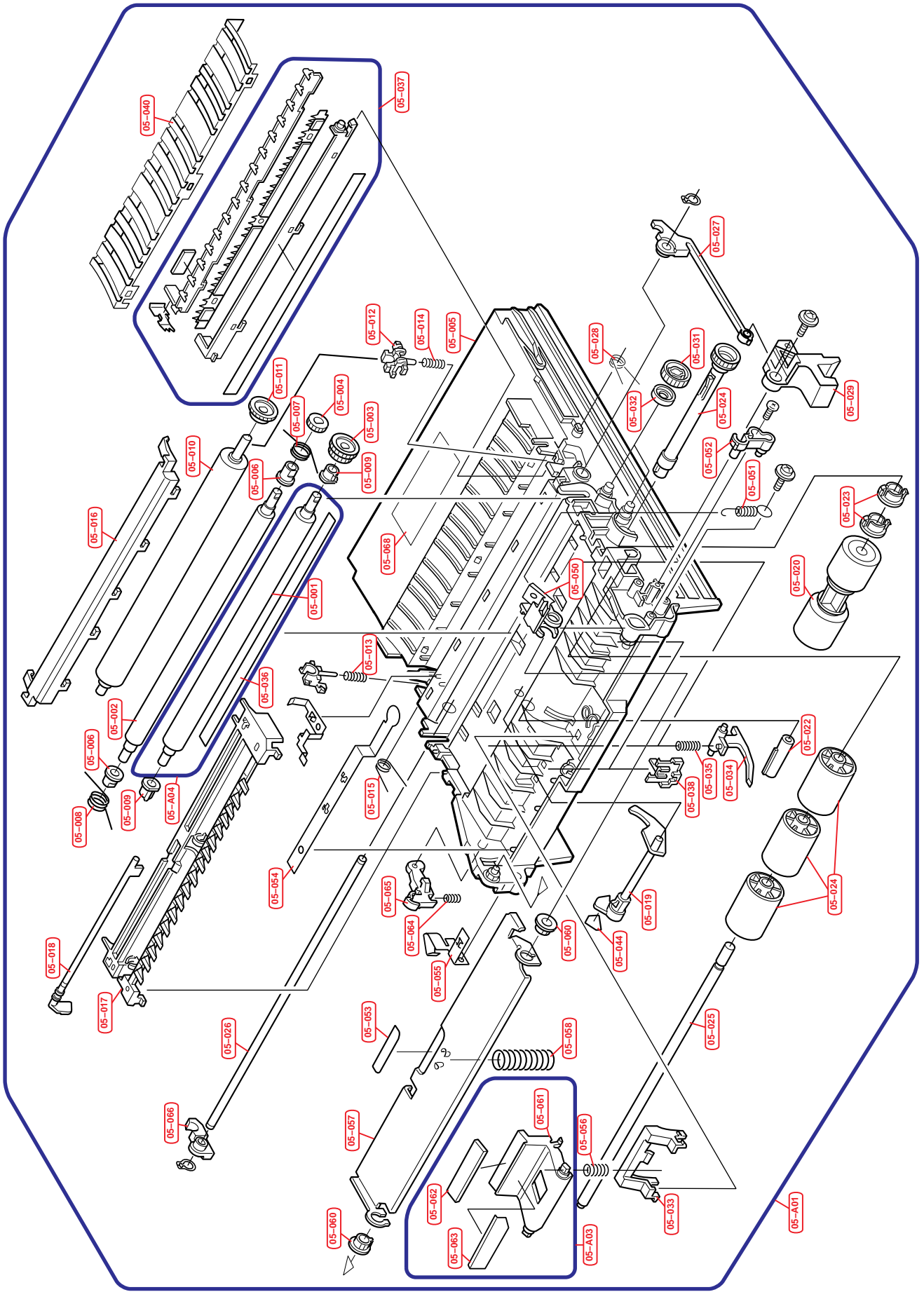


Fig.5 - Feed-transfer Unit

Ref No.	Part Code	Description	Quantity
05-001	5MMT876SN058	ROLLER REGIST LOW	
05-002	5MMT876SN059	ROLLER REGIST UP	
05-003	5MVG148DB032	GEAR REGIST Z24-Z32	
05-004	5MVG137DB064	GEAR REGIST Z24	
05-005	5MVB887CB002	BASE FEED	
05-006	5MVM276DB011	BUSH REGIST A	
05-007	5MMW172SX005	SPRING REGIST R	
05-008	5MMW172LD008	SPRING REGIST L	
05-009	5MVM176DN019	BUSH POM A	
05-010	5MMT886SN016	ROLLER TRANSFER	
05-011	5MVG138DB064	GEAR TC Z25S	
05-012	5MVX331DB007	BUSH TRANSFER	
05-013	5MMW241SX004	SPRING TRANS L	
05-014	5MMW241SX005	SPRING TRANS R	
05-015	5MMW161LD039	SPRING HINGE L	
05-016	5MVB832XB001	PAPER CHUTE	
05-017	5MVX862SB004	GUIDE PAPER	
05-018	5MVX721SB002	ACTUATOR FEED	
05-019	5MVX721SD001	ACTUATOR EMPTY	
05-020	5AAVROLL*027	FEED ROLL ASSY	
05-021	5MVG137DB068	GEAR FEED Z24S	
05-022	5MVM410DB001	HOLDER ROLLER FEED	
05-023	5MVM177DW002	BUSH FEED	
05-024	5MVM687DB001	ROLLER GUIDE	
05-025	5MMT866SN027	SHAFT FEED	
05-026	5MMT866SN029	SHAFT RELEASE	
05-027	5MVX742DB001	LINK LOCK	
05-028	5MMW161LD040	SPRING HINGE R	
05-029	5MVX664SW002	LEVER LOCK	
05-030	5MMX643LD003	PLATE EARTH TC	
05-031	5MVG138DB060	GEAR IDLE Z26	
05-032	5MVM121DB001	COLLER JOINT	
05-033	5MVX643DB004	GUIDE FEED B	
05-034	5MVX643DN001	GUIDE PAPER FEED	
05-035	5MMW241LD016	SPRING GUIDE	
05-036	5MVS822KF010	SHEET REGIST	
05-037	5AAY6500J*74	BRUSH DC ASSY	
05-038	5MVX332DB011	GUIDE FEED	
05-040	5MMU862SD005	PLATE PAPER GUIDE	
05-044	5MMS211AX001	SEAL ACTUATOR	
05-050	5MVX333DN002	CAM M/P B	
05-051	5MMW461SC001	SPRING M/P BOTTOM	
05-052	5MVX322SB019	BRACKET BOTTOM	
05-053	5MVS517XF002	PAD BOTTOM	
05-054	5MMZ721SD001	PLATE EARTH M/P	

Ref No.	Part Code	Description	Quantity
05-055	5MML443LD002	PLATE EARTH FEED	
05-056	5MMW361LD013	SPRING SEPARATOR	
05-057	5MMU851SC001	BOTTOM M/P	
05-058	5MMW671SC001	SPRING BOTTOM M/P	
05-060	5MVM176DB008	BUSHING STOP	
05-061	5MVX663SB012	SEPARATOR M/P	
05-062	5MVS617RF008	PAD SEPARATOR	
05-063	5MMS622SD002	PLATE SEPARATOR	
05-064	5MMW261LD022	SPRING FUSER	
05-065	5MVX532DB005	LOCK M/P	
05-066	5MVX421DB007	HINGE LOCK L	
05-068	5MVVL761WN41	LABEL CAUTION FE	
05-A01	5AAYLS66J*09	BASE FEED ASSY	
05-A03	5AAYLS66J*40	SEPARATOR M/P ASSY	
05-A04	5AAYLS67J*04	REGIST LOW ASSY	

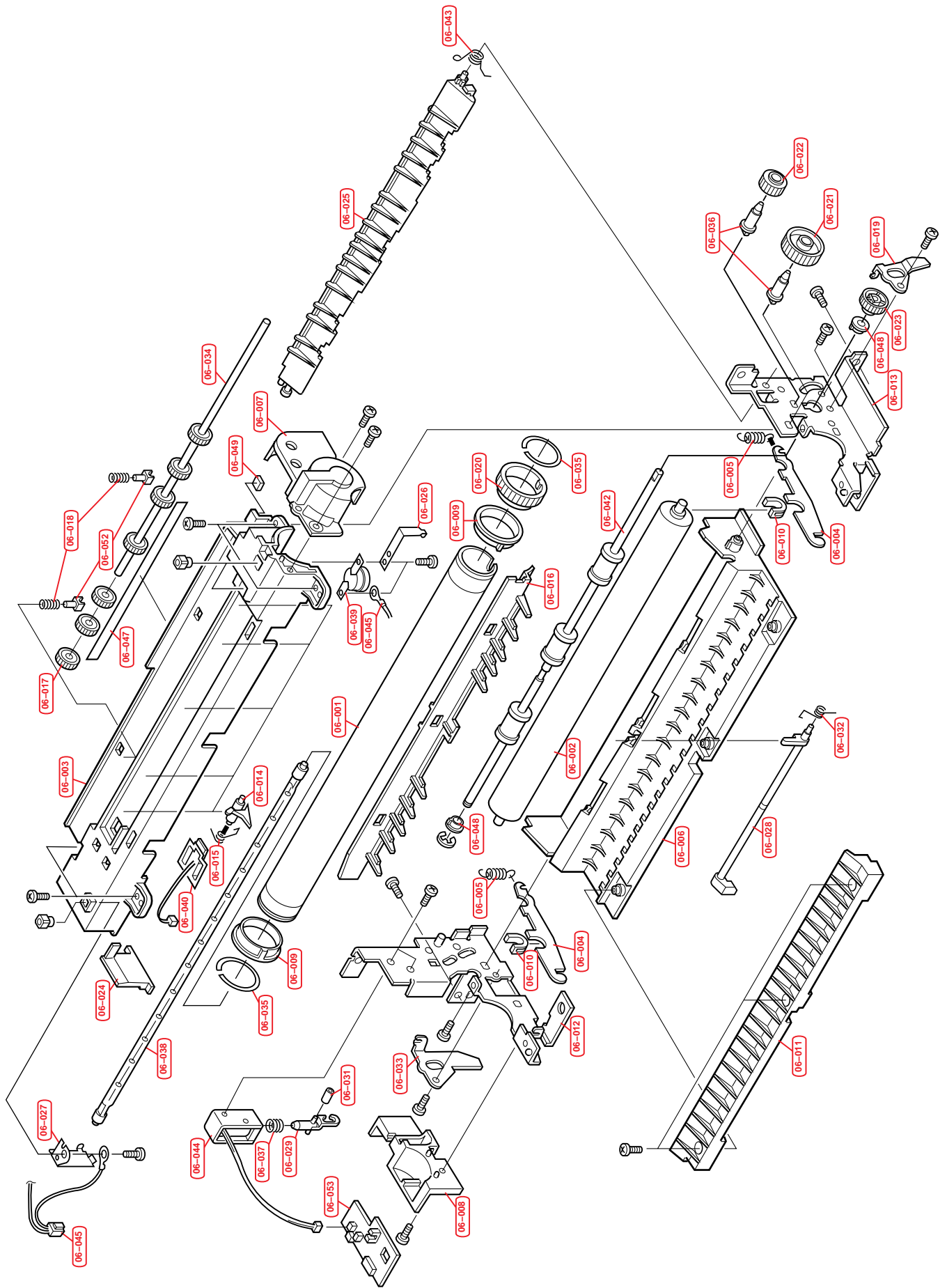


Fig.6 - Fuser

Ref No.	Part Code	Description	Quantity
06-000	FK-25	FUSER KIT (5PLPZ4KAEKX)	1
06-001	5MMT888AX014	ROLLER HEAT	
06-002	5MMT886SN017	ROLLER PRESS	
06-003	5MVB864KB004	FRAME FUSER UP	
06-004	5MMS627SD003	PLATE PRESS	
06-005	5MMW261SX009	SPRING PRESS	
06-006	5MVX875KB002	FRAME FUSER LOW	
06-007	5MVB663KB002	COVER FUSER R	
06-008	5MVX644KB001	COVER FUSER L	
06-009	5MVM188XN012	BUSH HEAT	
06-010	5MVM166XN001	BUSH PRESS	
06-011	5MVB833KB001	PAPER CHUTE FUSER	
06-012	5MMX766SL008	PLATE FUSER L	
06-013	5MMX766SL009	PLATE FUSER R	
06-014	5MVX222XN002	SEPARATOR	
06-015	5MMW261LD032	SPRING SEPARATOR	
06-016	5MVB843KB001	GUIDE FUSER UP	
06-017	5MVM177DB009	PULLEY EXIT	
06-018	5MMW261LD016	SPRING PULLEY	
06-019	5MMS537SD005	PLATE RELEASE R	
06-020	5MVG158XN003	GEAR HEAT Z46	
06-021	5MVG148XN005	GEAR JOINT Z36	
06-022	5MVG127DW004	GEAR IDLE Z16	
06-023	5MVG137DW002	GEAR EXIT Z21	
06-024	5MMX432KB001	SUPPORT LAMP	
06-025	5MVB832CB003	GUIDE CHANGE	
06-026	5MML143RD001	HOLDER LAMP R	
06-027	5MML132CD001	HOLDER LAMP	
06-028	5MVX742CB001	ACTUATOR FUSER	
06-029	5MVX311DB009	ACTUATOR SOL	
06-031	5MVM111RB002	RUBBER PIN	
06-032	5MMW261LD017	SPRING ACTUATOR	
06-033	5MMS537SD006	PLATE RELEASE L	
06-034	5MMT833SD001	SHAFT EXIT	
06-035	5MMW381SJ001	RING STOP	
06-036	5MVT366DB001	PIN FUSER	
06-037	5MMW261LJ032	SPRING SOL	
06-038	5EZPB2413320104	HEATER LAMP 240V	
06-038		HEATER LAMP 120V	
06-038	5EZPB1018020601	HEATER LAMP 100V	
06-039	5EYFFQ17001Q*01	THERMOSTAT	
06-040	5AAXTM012GEA	THERMISTOR ASSY	
06-042	5MMT875SN011	ROLLER EXIT	
06-043	5MMW361LD010	SPRING CHANGE	

Ref No.	Part Code	Description	Quantity
06-044	5EZSA2401020307	SOLENOID	
06-045	5AACCNQS0GEA	CONN.CORD	
06-045	5AACCNQS1GEA	CONN.CORD	
06-045	5AACCNQM1GEA	CONN.CORD	
06-047	5MVVL731WN14	LABEL FUSER CAUTION	
06-048	5MMM176CJ005	BUSHING SBK	
06-049	5MVS111PW001	PAD FUSER	
06-052	5MVF111DN005	BUSH SP	
06-053	5AAPRIFC1008BH	PWB Assy KP-499 Fuser	

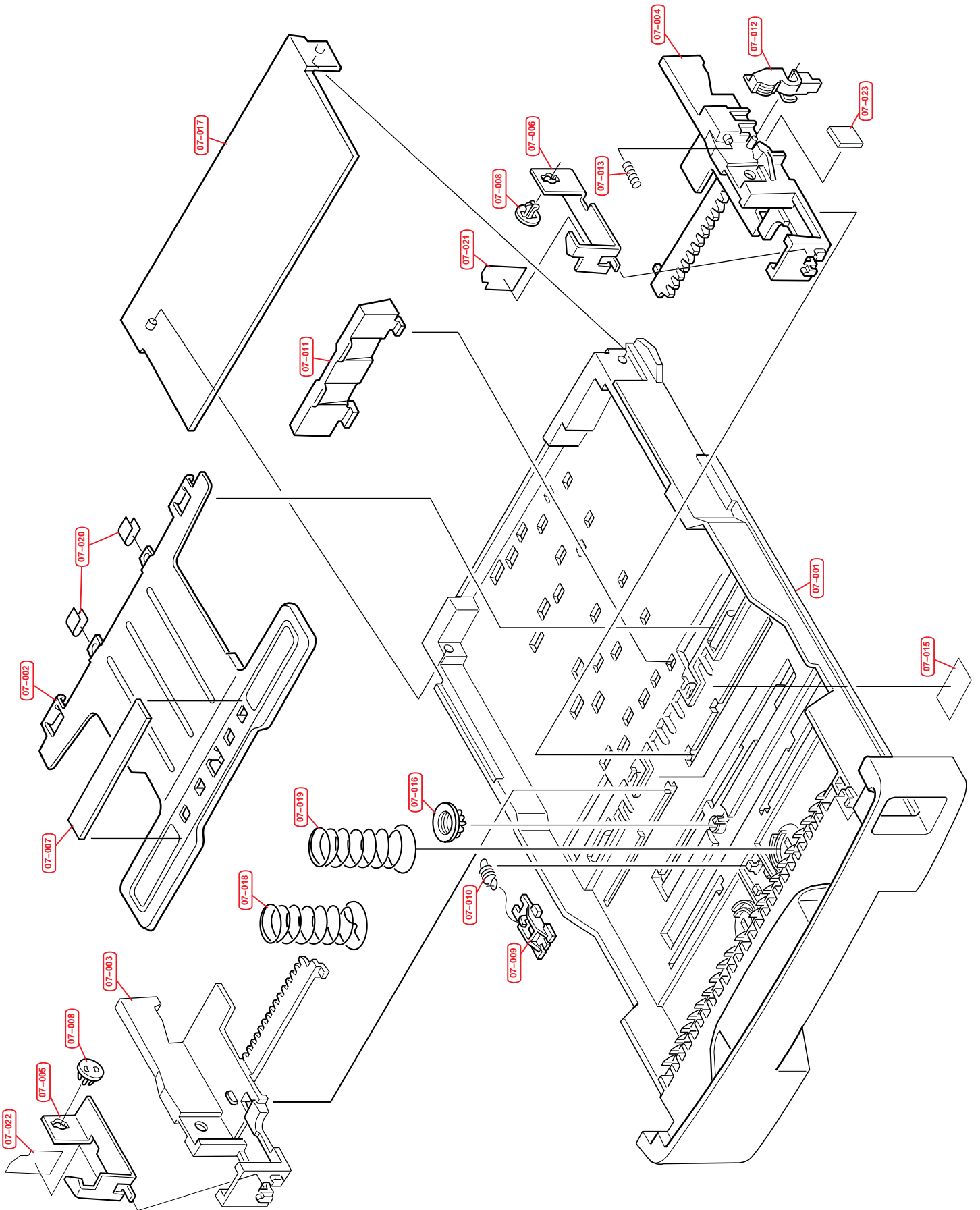


Fig.7 - Cassette

Ref No.	Part Code	Description	Quantity
07-000	PC-26	PAPER CASSETTE (5PLPZ9AAJK9)	1
07-001	5MVB995SH001	BASE CASSETTE	
07-002	5MMX882SD001	BOTTOM CASSETTE	
07-003	5MVX775SH008	GUIDE CASSETTE L	
07-004	5MVX775SH007	GUIDE CASSETTE R	
07-005	5MML634SW002	NAIL L	
07-006	5MML634SW001	NAIL R	
07-007	5MVS726XN001	PAD SEPARATOR	
07-008	5MVM176DN025	PIN NAIL	
07-009	5MVX421DW001	LOCK BOTTOM	
07-010	5MMW411LD002	SP STOPPER BOTTOM	
07-011	5MVB742SH003	STOPPER CASS SIZE	
07-012	5MVX521SH002	LEVER LOCK	
07-013	5MMW251LD031	SPRING LEVER SIDE	
07-015	5MVS534VF001	SEAL CASSETTE	
07-016	5MVG127DH112	GEAR GUIDE SIDE	
07-017	5MVB873SH027	LID CASSETTE	
07-018	5MMW681LD003	SPRING CASSETTE L	
07-019	5MMW681LD004	SPRING CASSETTE R	
07-020	5MVS321KF039	SHEET PLATE BOTTOM	
07-021	5MVS432KF006	SHEET NAIL L	
07-022	5MVS432KF007	SHEET NAIL R	
07-023	5MVS432KF005	SHEET GUIDE	

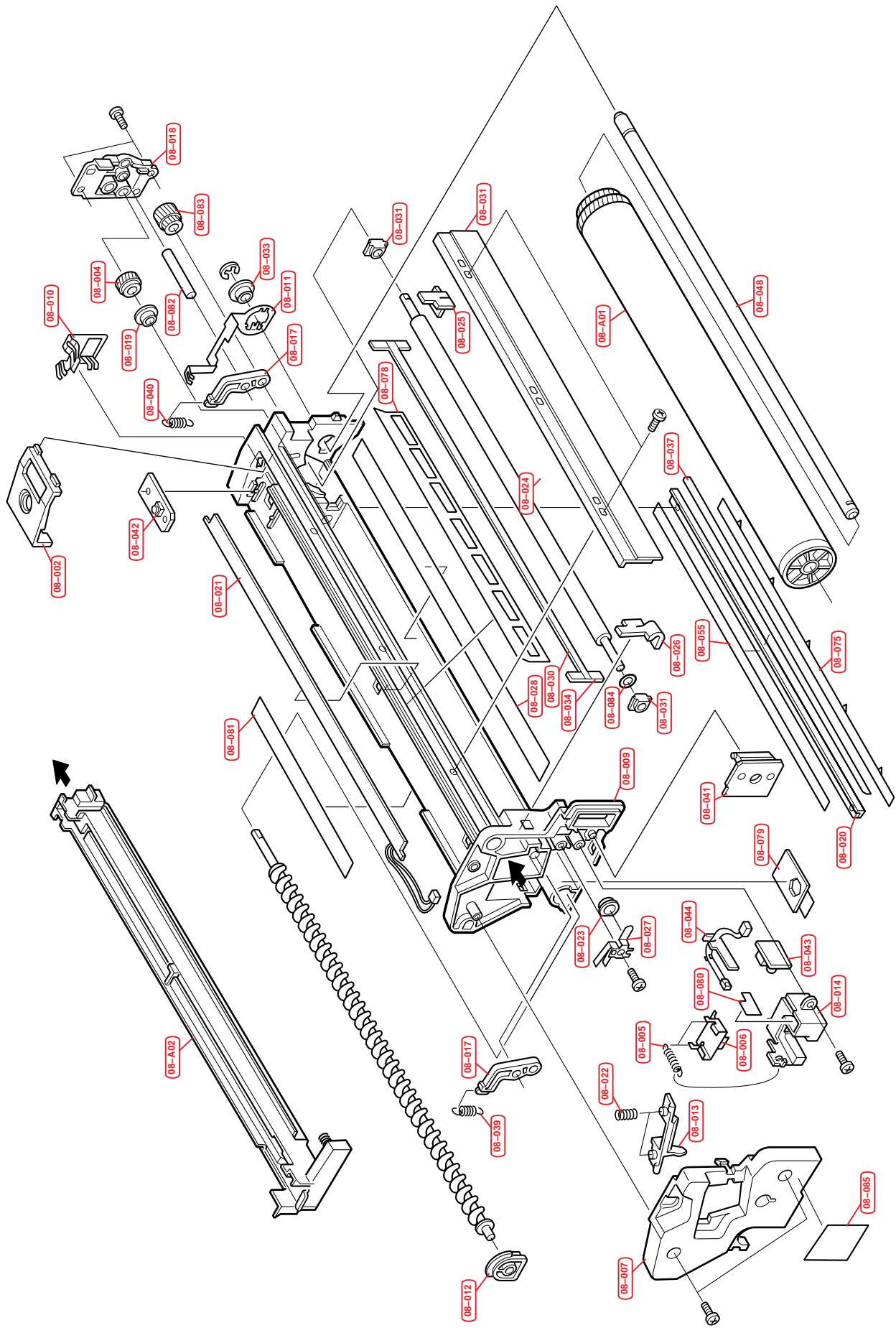


Fig.8 – Drum

Ref No.	Part Code	Description	Quantity
08-000	DK-25	DRUM (5PLPZ2KAEKX)	1
08-002	5MVB863SB020	COVER DRUM UP	
08-004	5MVG127DN056	GEAR SCREW Z18H	
08-005	5MMW251SX001	SPRING SHUTTER	
08-006	5MMC231LD002	SHUTTER WASTE	
08-007	5MVX663SB011	COVER DRUM LEFT	
08-009	5MVB966CB002	FRAME DRUM	
08-010	5MMX332LD008	CONTACT ZENNER	
08-011	5MMX652LD001	PLATE EARTH DRUM	
08-012	5MVM122DN001	BUSH SCREW	
08-013	5MVX621SB008	LOCK MCH	
08-014	5MVB543SB004	BRACKET SENSOR	
08-016	5AAVBLADE029	BLADE ASSY	
08-017	5MVX431DN002	ARM ROLL CLN	
08-018	5MVB632DB001	BRACKET GEAR	
08-019	5MVM676XN001	BUSH SCREW	
08-020	5MML821SD006	BRACKET SHEET	
08-021	5AAXLD029GEA	LED ARRAY	
08-022	5MMW154LD004	SPRING LOCK MCH	
08-023	5MVM176DB015	BUSH DRUM L	
08-024	5MMT875XN001	ROLL CLN	
08-025	5MVS618RF017	SEAL DRUM RIGHT	
08-026	5MVS628RF011	SEAL DRUM L	
08-027	5MMZ232LD001	PLATE EARTH CLN	
08-028	5MVS822KF012	SHEET SCRAPER	
08-030	5MVS817RF017	SEAL BLADE B	
08-031	5MVB111XN001	BUSH CLN	
08-033	5MVM276CB001	BUSH DRUM R	
08-034	5MVS317RF010	SEAL BLADE	
08-037	5MVS861RF001	SHEET DRUM	
08-038	5MVT676CB002	SCREW DRUM	
08-039	5MMW251LD035	SPRING CLN L	
08-040	5MMW251LD036	SPRING CLN R	
08-041	5AAPRIFC1012AH	PWB Assy KP-500 drum count	
08-042	5AAPRIFC1047AH	PWB Assy KP-501 zenner	
08-043	5AAPRSSC1014AH	PWB Assy KP-506 toner-full	
08-044	5AACCNPR7GEA	CONN CORD ASSY	
08-048	5MMT960SN002	SHAFT DRUM	
08-052	5MVS418SB001	SPACER LED	
08-055	5MVS863AF001	TAPE PLATE DRUM	
08-075	5AAVSHEET001	SHEET ASSY	
08-078	5MVS843KC001	SHEET SEPARATOR	
08-079	5MVS628LN002	SEAL SHUTTER	
08-080	5MVS211KF045	SEAL BKT SENSOR	

Ref No.	Part Code	Description	Quantity
08-081	5MMS821AX001	SHEET HEAT DRUM	
08-082	5MMT566SN005	PIN GEAR	
08-083	5MVG127DN061	GEAR CLN Z16H-Z14H	
08-084	5MBWK56952NN	POLY SLIDER	
08-085	5MVVL331WN13	LABEL DRUM	
08-A01	5AAYLS66J*17	DRUM ASSY	
08-A02	5AAYLS66J*18	MCH ASSY	

**NO
DRAWING
AVAILABLE**

Fig.9 – Scanner

Ref No.	Part Code	Description	Quantity
09-000	LK-25	SCANNER UNIT (5PLPZ6KAEKX)	1
09-001	5AAXMT032GEA	POLYGON MOTOR ASSY	
09-002	5AAPRAPR2004AH	P.W.BOARD ASSY	
09-005	5MVX322AC002	CYLINDER LENS 22	
09-006	5MVX622AC002	F LENS A 22	
09-007	5MVX732AC001	F LENS B 22	
09-008	5MVX322CB004	BRACKET ST.	
09-009	5MVS819GX001	MIRROR A 22	
09-010	5MVS817GC002	COVER GLASS 22	
09-011	5MMX522LD009	EARTH POLYGON	
09-014	5MVB874CB001	FRAME SCANNER	
09-015	5MVB874SB006	COVER SCANNER	
09-016	5MMX224LD001	SPRING MIRROR A	
09-017	5AAPRSSC1022AH	P.W.BOARD ASSY	
09-018	5AACCNQM8GEA	CONN.CORD	
09-019	5AACCNQM7GEA	CONN.CORD	
09-020	5MVVL751WN13	LABEL LASER CAUTION	
09-021	5MVS767RF006	SEAL POLYGON	
09-022	5MVX111GC004	COLLIMATE LENS	
09-023	5MVB111CB001	HOLDER COLLIMATE	
09-024	5MVB111CB003	HOLDER LENS A	
09-A01	5AAYLS66J*07	FRAME SCANNER ASSY	
09-A02	5AAYLS66J*08	COVER SCANNER ASSY	
09-A03	5AAYLS66J*39	FRAME SCAN SUB ASSY	
09-A04	5AAYLS66J*05	COLLIMATE LENS ASSY	

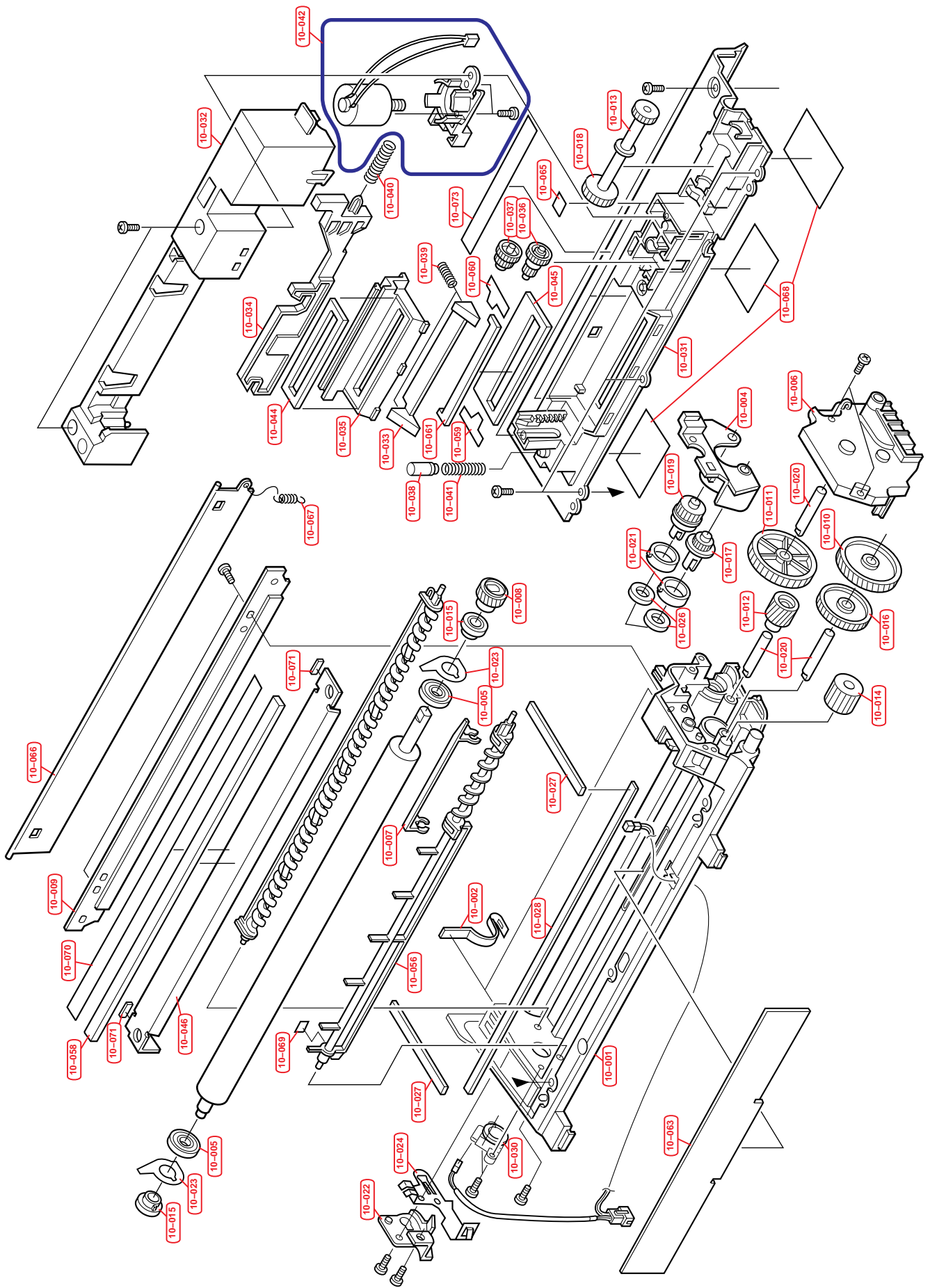


Fig.10 – Developer

Ref No.	Part Code	Description	Quantity
10-000	DV-25	DEVELOPER (5PLPZ3KAEKX)	1
10-001	5MVB876SB014	CASE DLP	
10-002	5MVS618TF003	SEAL SIDE DLP	
10-003	5AAVROLER034	ROLLER MAGNET	
10-004	5MVB644CB001	HOLDER DLP GEAR	
10-005	5MVM187DB007	PULLEY DLP	
10-006	5MVX661SB008	COVER DLP R	
10-007	5MVX621SB009	SCRAPER B DLP	
10-008	5MVG127DB041	GEAR Z19H	
10-009	5MMU833LD001	BLADE DLP	
10-010	5MVG169DN023	GEAR DLP Z51H-Z15S	
10-011	5MVG169DN027	GEAR DLP Z53S-Z23S	
10-012	5MVG127DN055	GERA DLP Z18H	
10-013	5MVG127DN054	GEAR DLP Z18S	
10-014	5MVG137DN026	GEAR DLP Z22S	
10-015	5MVM177XN005	BUSH MAG	
10-016	5MVG158DN035	GEAR DLP Z45S-Z22S	
10-017	5MVG127DN052	GEAR DLP Z14S	
10-018	5MVG138DN040	GEAR DLP Z21S	
10-019	5MVG127DN051	GEAR DLP Z17S	
10-020	5MMT555SN002	PIN DLP B	
10-021	5MVM177XN004	BUSH SCRAPER	
10-022	5MVZ321CB001	CAP MAG L	
10-023	5MMS321SD001	PLATE MAG	
10-024	5MMZ642LD001	PLATE BIAS	
10-026	5MVS708XF001	SEAL SCRAPER	
10-027	5MVS618RF016	SEAL LID A	
10-028	5MVS818RF013	SEAL LID B	
10-029	5MVS618TF002	SEAL SIDE DLP R	
10-030	5ENXTSP15A10*01	TONER SENSOR	
10-031	5MVX866SB013	LID DLP	
10-032	5MVB864SB014	COVER DLP	
10-033	5MVX622DB003	SHUTTER DLP	
10-034	5MVX751DG001	LEVER DLP	
10-035	5MVX652SB010	COVER SHUTTER	
10-036	5MVG026DN001	WORM WHEEL H26-Z14	
10-037	5MVG137DB056	GEAR IDLE Z30-Z15	
10-038	5MVM211SB003	CAP DLP	
10-039	5MMW451LJ002	SPRING SHUTTER	
10-040	5MMW466SD001	SPRING LEVER	
10-041	5MMW461LD007	SPRING LID	
10-042	5AAY1700E*38	TONER MOTOR ASSY	
10-043	5MVT863SB001	SCREW F DLP	
10-044	5MVS638RF005	SEAL SHUTTER A	

Ref No.	Part Code	Description	Quantity
10-045	5MVS648RF006	SEAL SHUTTER B	
10-046	5MMU833SD001	BRACKET BLADE DLP	
10-047	5MVS818RN007	BLADE MAGNET	
10-055	5MMW873LD002	SCRAPER DLP B	
10-056	5MVT883SB001	SCREW B DLP	
10-058	5MVS819RF003	SEAL BLADE	
10-059	5MVS321KF027	SEAL SHUTTER CL	
10-060	5MVS321KF028	SEAL SHUTTER CR	
10-061	5MVS618RF015	SEAL SHUTTER D	
10-063	5MVS737CN001	SEPARATOR DLP	
10-064	5AACCNPT8GEA	CONN.CORD S02029	
10-065	5MVS222KF010	SEAL LID	
10-066	5MVX843SB004	COVER SLEEVE	
10-067	5MMW141LJ007	SPRING COVER SLV	
10-068	5MVS651KF008	SEAL LID B	
10-069	5MVS111KF034	SPACER SENSOR	
10-070	5MVS811KF021	SHEET BLADE	
10-071	5MVS217RF021	SEAL BRACKET BLADE	
10-073	5MVVL721WN45	LABEL DLP	
10-A01	5AAYLS66J*26	CASE DLP ASSY	
10-A02	5AAYLS66J*13	LID DLP ASSY	
10-A03	5AAYLS66J*14	BLADE DLP ASSY	

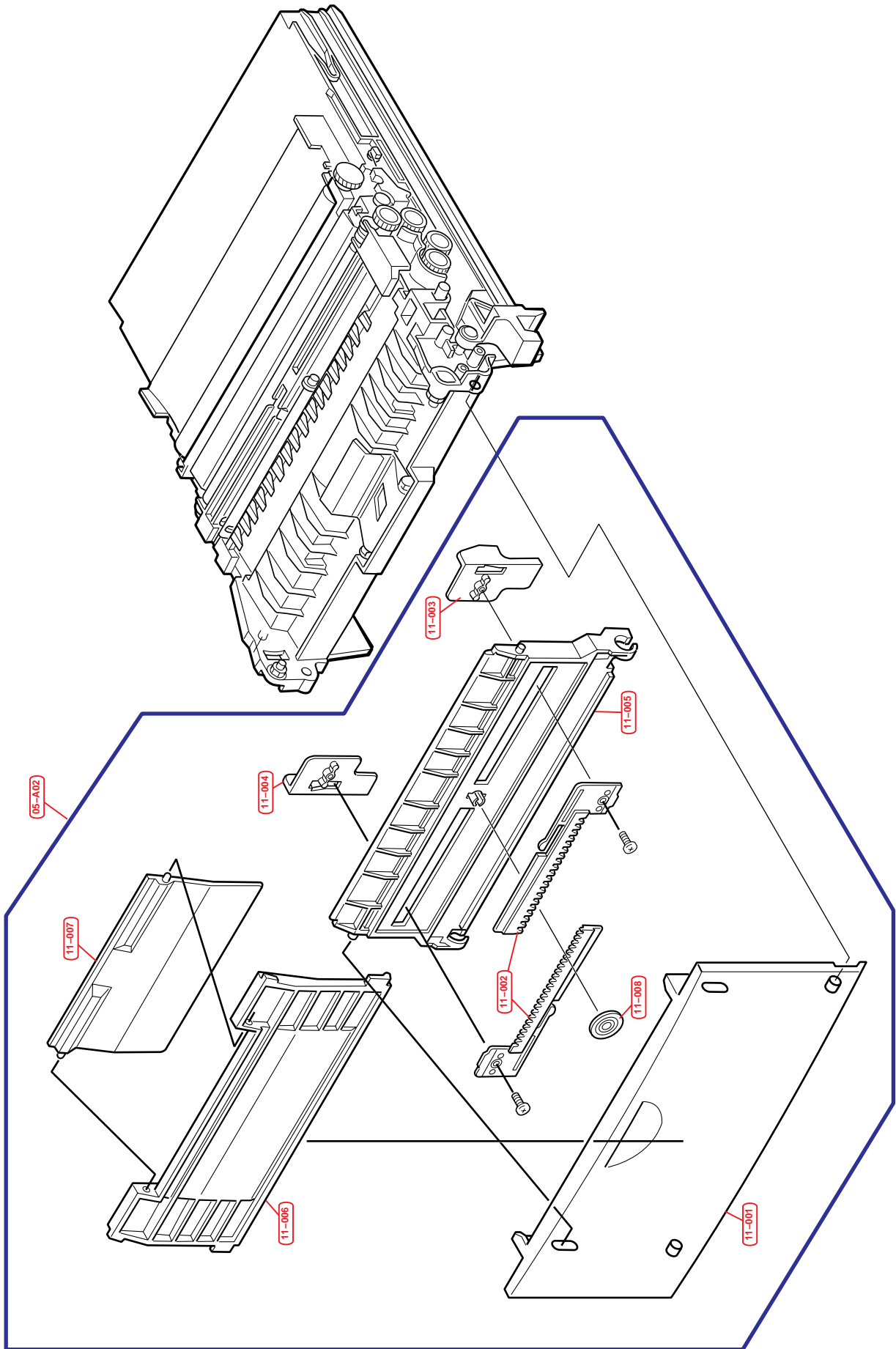


Fig.11 – Multi-purpose Tray

Ref No.	Part Code	Description	Quantity
05-A02	5AAYLS66J*10	MULTI FEED ASSY	1
11-001	5MVB873SH026	COVER M/P	
11-002	5MVS748SH004	RACK M/P	
11-003	5MVX652SH002	GUIDE M/P R	
11-004	5MVX652SH003	GUIDE M/P L	
11-005	5MVX872SH003	TRAY M/P A	
11-006	5MVB872SH017	TRAY M/P B	
11-007	5MVS771SH001	TRAY M/P C	
11-008	5MVG127DN053	GEAR M/P	