



PAGE PRINTER

FS-5900c



PARTS CATALOGUE

10-02-2000

FS-5900c Parts Catalogue

Table of Contents

Covers (Back/Left) (Fig.1).....	3
Covers (Right/Front) (Fig.2).....	5
Paper Feeder (Fig.3).....	7
Paper Feeder (Fig.4).....	9
Power Supply Unit (Fig.5).....	12
Paper Eject Unit (Fig.6).....	14
Toner Cartridge Selector (Fig.7).....	16
Face Down Unit (Fig.8).....	18
Upper/Right/Left Side Parts (Fig.9).....	20
Engine Control Board Connector (Fig.10).....	22
Main Control Board (Fig.11).....	24
Toner Cartridge Drive Unit (Fig.12).....	26
Mechanical Base (Fig.13).....	28
Mechanical Base (Fig.14).....	30
Mechanical Base (Fig.15).....	32
Media Tray (Fig.16).....	34
Fuser Unit (Fig.17).....	36

Introduction

The figures which follow depict the major assemblies of the printer or option, broken down into components. Following each figure are the list giving the following information:

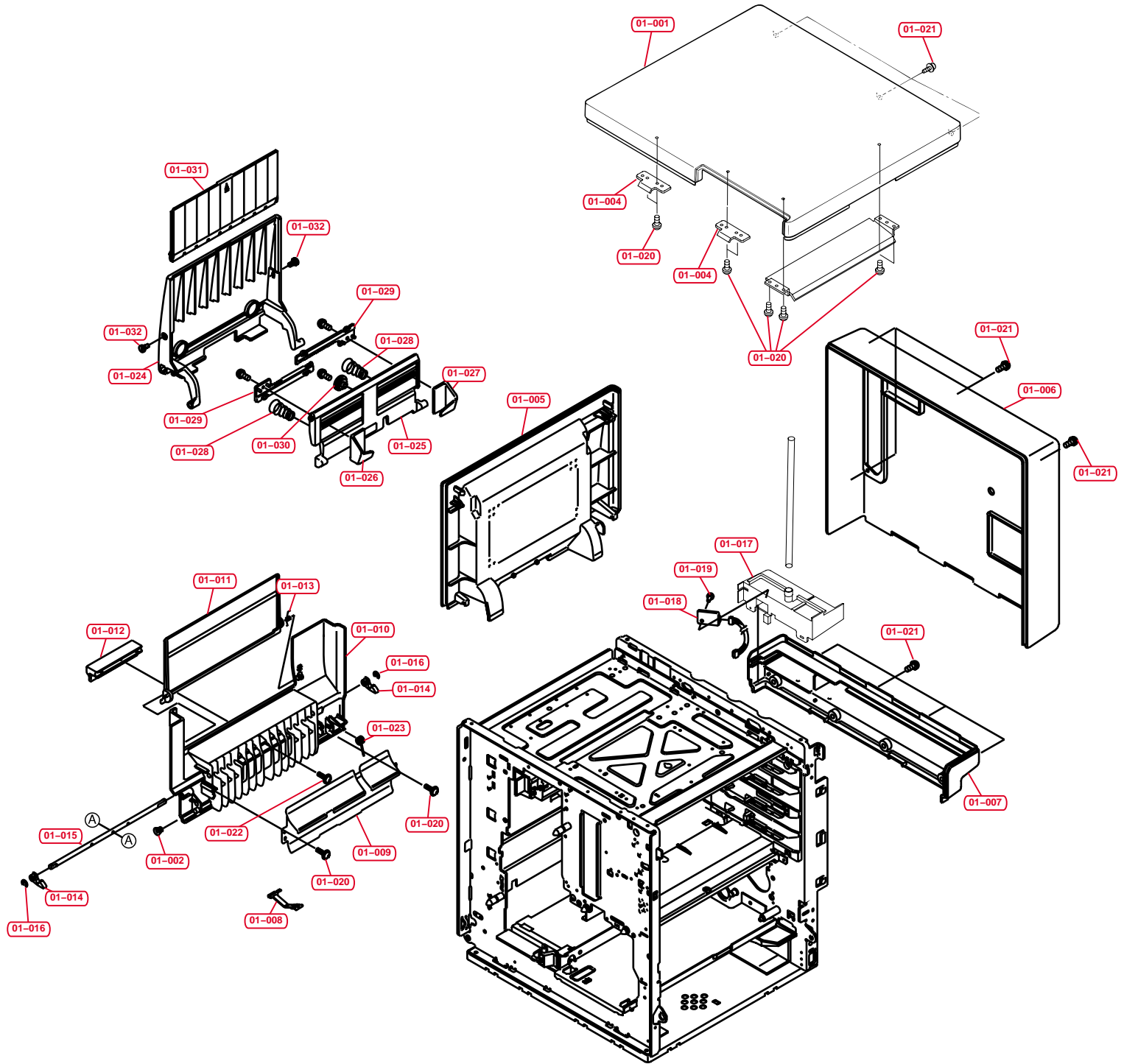
'Ref No.'	Reference number which corresponds to the parts in the figure
'Part code'	Part code which identifies the part
'Part description'	A brief description of the part
'Quantity'	Quantity of the part used in the printer or option

Only the parts highlighted in **BOLD** should be ordered. All other parts are for reference only and are not stocked.

Consumables and Maintenance Kits

TK-81K	Black Toner Kit
TK-81C	Cyan Toner Kit
TK-81M	Magenta Toner Kit
TK-81Y	Yellow Toner Kit
IU-81	Imaging Unit (60K images)
FK-81	Fuser (30K Pages)
OS-81	Oil Supply Web (15K Pages)
TR-81	Transfer Roller (80K Pages)
CP-81	Cleaning Pad
MC-81	Main Charger

Fig.1 - Covers (Back/Left)



Ref No.	Part Code	Description	Quantity
01-001	5SNSP0012572	Top Cover	1
01-002	5SNSP0012555	Spring A	1
01-003	5SNSP0012903	Paper Guide	1
01-004	5SNSP0012904	Top Cover Retainer	2
01-005	5SNSP0013429	Left Side Cover	1
01-006	5SNSP0013432	Upper Rear Cover Assembly	1
01-007	5SNSP0013369	Lower Rear Cover	1
01-008	5SNSP0012558	Strap	1
01-009	5SNSA580CE04	Paper Chute Assembly	1
01-010	5SNSP0012486	Left Side Door	1
01-011	5SNSP0013427	Tray Cover Assembly	1
01-012	5SNSP0012549	Tray Cover Lever	1
01-013	5SNSP0012548	Tray Cover Spring	1
01-014	5SNSP0012559	Left Side Door Hook	2
01-015	5SNSP0012561	Left Side Door Shaft	1
01-016	5SNSP0012560	E-ring	2
01-017	5SNSP0013336	T/H Sensor Case	1
01-018	5SNSP0013398	T/H Sensor Board	1
01-019	5SNSP0012907	Rivet	1
01-020	5SNSP0012550	Screw 3 x 8	10
01-021	5SNSP0013179	Screw 3 x 6	11
01-022	5SNSP0012551	Screw 3 x 12	1
01-023	5SNSP0012556	Spring B	1
01-024	5SNSP0012487	Multi Purpose Tray Holder	1
01-025	5SNSP0013428	MPF Paper Support Assembly	1
01-026	5SNSP0012488	Paper Guide Right	1
01-027	5SNSP0013333	Paper Guide Left	1
01-028	5SNSP0012557	Paper Guide Spring	2
01-029	5SNSP0012552	Rack	2
01-030	5SNSP0012553	Pinion Gear	1
01-031	5SNSP0012490	Extension Tray	1
01-032	5SNSP0012554	Bushing	2

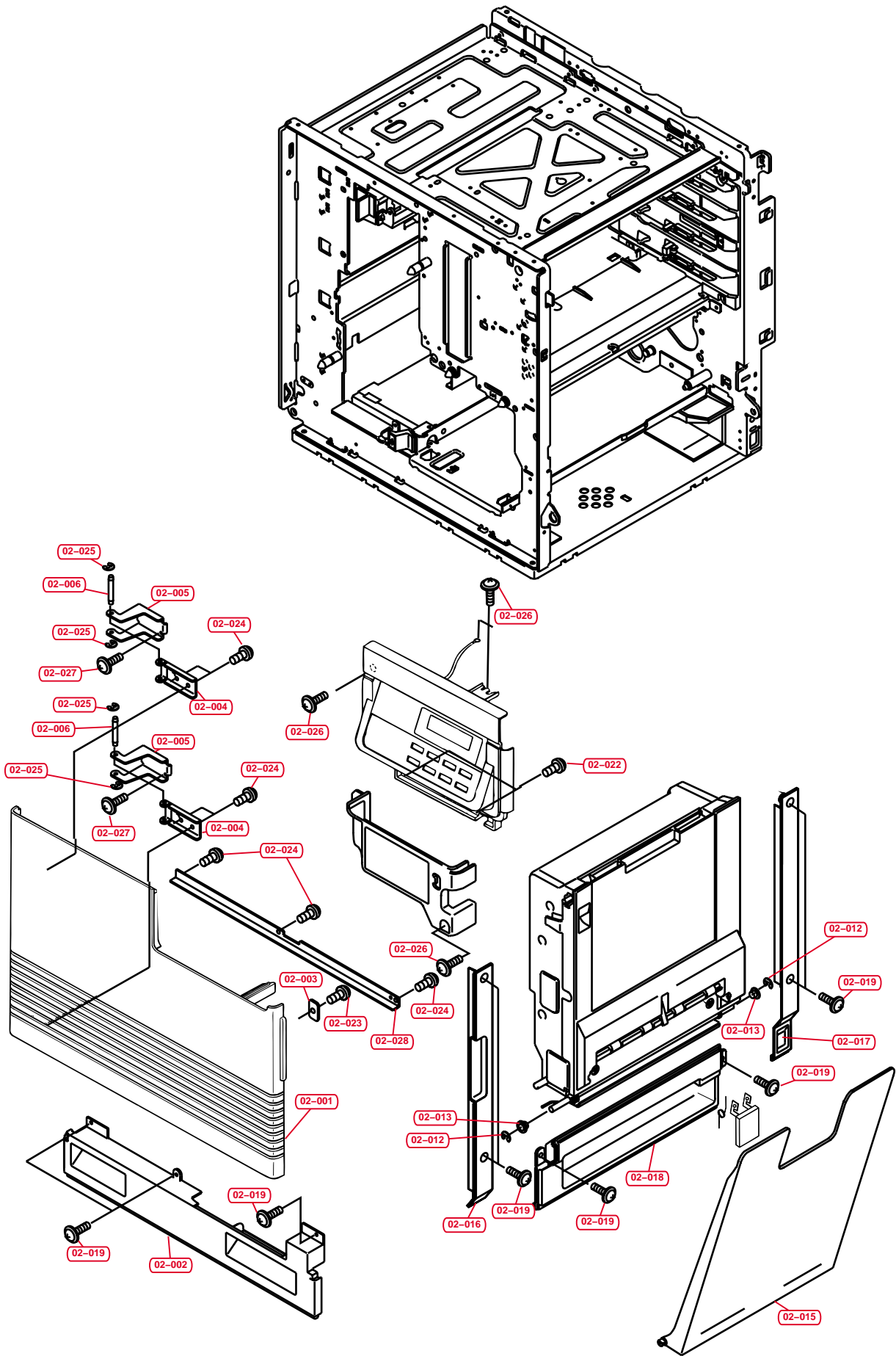


Fig.2 – Covers (Right/Front)

Ref No.	Part Code	Description	Quantity
02-001	5SNSP0013433	Front Cover Assembly	1
02-002	5SNSP0012493	Bottom Front Cover	1
02-003	5SNSP0012908	Magnet Retainer	1
02-004	5SNSP0012909	Front Cover Hinge Support	2
02-005	5SNSP0012910	Front Cover Hinge	2
02-006	5SNSP0012911	Hinge Shaft	2
02-007	5SNSP0012526	Lower Operation Panel Cover	1
02-008	5MVB876SH056	Panel Front	1
02-012	5SNSP0013180	E-ring	2
02-013	5SNSP0012913	Bushing	2
02-015	5SNSP0013368	Paper Exit Tray	1
02-016	5SNSP0012495	Right Side Front Cover	1
02-017	5SNSP0012496	Right Side Rear Cover	1
02-018	5SNSP0013372	Right Side Lower Cover	1
02-019	5SNSP0013179	Screw 3 x 6	9
02-022	5SNSP0013184	Screw 3 x 10	2
02-023	5SNSP0013456	Screw 3 x 8	1
02-024	5SNSP0012550	Screw 3 x 8	7
02-025	5SNSP0013186	E-ring	4
02-026	5SNSP0013187	Screw 3 x 8	3
02-027	5SNSP0013188	Screw 3 x 5	4
02-028	5SNSP0012914	Door Reinforcement	1
02-029	5MVS747CH001	Panel Key English	1
02-029	5MVS747CH002	Panel Key German	1
02-029	5MVS747CH003	Panel Key French	1
02-029	5MVS747CH004	Panel Key Spanish	1
02-029	5MVS747CH005	Panel Key Italian	1
02-029	5MVS747CH006	Panel Key Danish	1
02-029	5MVS747CH007	Panel Key Swedish	1

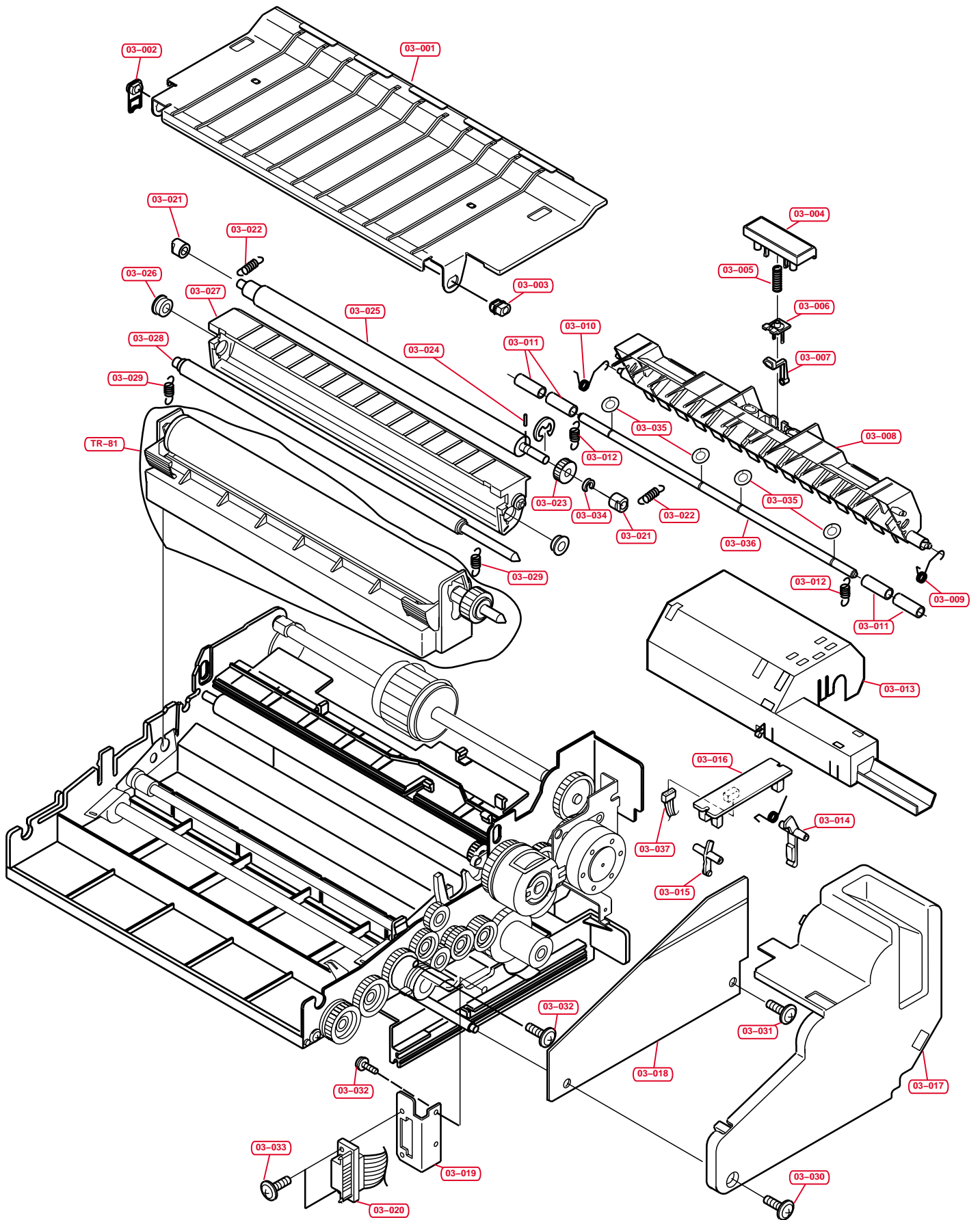


Fig.3 – Paper Feeder

Ref No.	Part Code	Description	Quantity
03-001		Paper Chute Assembly	1
03-002		Paper Chute Opening Adjuster	1
03-003	5SNSP0012916	Bushing	1
03-004	5SNSP0013436	Retard Pad Assembly	1
03-005	5SNSP0012917	Retard Pad Spring	1
03-006	5SNSP0012918	Retard Pad Platform	1
03-007	5SNSP0012919	Paper Thickness Select Level	1
03-008	5SNSP0013439	MPT Chute Assembly	1
03-009	5SNSP0012921	MPT Chute Right Spring	1
03-010	5SNSP0013326	MPT Chute Left Spring	1
03-011	5SNSP0012922	Pinch Roller	4
03-012	5SNSP0012923	Pinch Roller Spring	2
03-013	5SNSP0012924	MPT/Reg. Sensor Cover	1
03-014	5SNSP0012925	MPT Paper Out Sensor Arm	1
03-015	5SNSP0012926	Registration Sensor Arm	1
03-016	5SNSP0013423	MPT Paper Out/Reg Sensor Board	1
03-017	5SNSP0013438	Paper Feed Unit Cover	1
03-018	5SNSP0013414	Paper Feed Unit Board	1
03-019	5SNSP0012930	Connector Bracket	1
03-020	5SNSP0012931	Connector Bracket	1
03-021	5SNSP0012932	Bushing	2
03-022	5SNSP0012933	Registration Spring	2
03-023	5SNSP0012934	Registration Roller Gear	1
03-024	5SNSP0012935	Pin	1
03-025	5SNSP0012498	Registration Roller	1
03-026	5SNSP0012936	Bushing	2
03-027	5SNSP0013437	Cleaning Roller Holder Assembly	1
03-028	5SNSP0012937	Pressure Roller/Cleaning Roller	1
03-029	5SNSP0012938	Cleaning Roller Spring	2
03-030	5SNSP0013189	Screw 3 x 14	1
03-031	5SNSP0013457	Screw 3 x 6	1
03-032	5SNSP0013184	Screw 3 x 10	2
03-033	5SNSP0012581	Screw 3 x 8	2
03-034	5SNSP0012939	Spacer	1
03-035	5SNSP0013002	Plastic Washer	5
03-036	5SNSP0012940	Pinch Roller Shaft	1
03-037	5SNSP0012941	Resist Sensor Cable	1
TR-81	TR-81	Transfer Unit	1

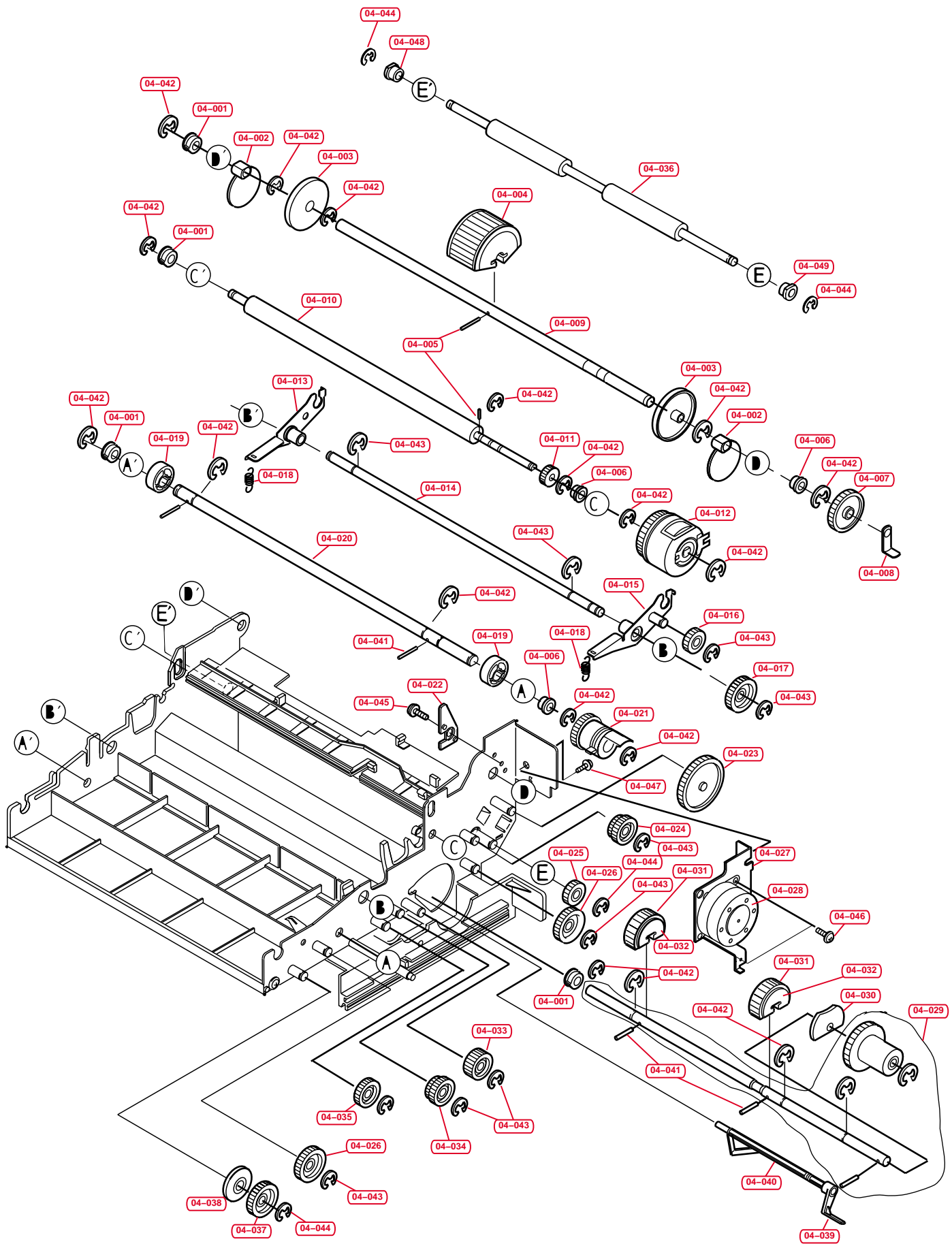


Fig.4 - Paper Feeder

Ref No.	Part Code	Description	Quantity
04-001	5SNSP0012942	Bushing	4
04-002	5SNSP0012943	Cam	2
04-003	5SNSP0012944	Pickup guide Roller	2
04-004	5SNSP0013446	Pickup Roller Assembly M.P.T.	1
04-005	5SNSP0012945	Pin	4
04-006	5SNSP0012946	Bushing	3
04-007	5SNSP0012947	Gear	1
04-008	5SNSP0012519	STR Sensor Arm	1
04-009	5SNSP0012948	M.P.T. Roller Shaft	1
04-010	5SNSP0012499	Registation Roller	1
04-011	5SNSP0012949	Registation Roller Gear	1
04-012	5SNSP0012500	Registation Roller Clutch	1
04-013	5SNSA580CE51	STR Holder Assembly Left	1
04-014	5SNSP0012950	STR Holder Shaft	1
04-015	5SNSA580CE52	STR Holder Assembly Right	1
04-016	5SNSP0012951	STR Gear	1
04-017	5SNSP0012952	Gear	1
04-018	5SNSP0012953	Spring	2
04-019	5SNSP0012954	STR Cam	2
04-020	5SNSP0012955	STR Cam Shaft	1
04-021	5SNSP0012520	STR clutch	1
04-022	5SNSP0012956	M.P.T. Holder Guide	1
04-023	5SNSP0012957	Gear	1
04-024	5SNSP0012958	Gear	1
04-025	5SNSP0012959	Gear	1
04-026	5SNSP0012960	Gear	2
04-027	5SNSP0012961	Motor Bracket Paper Feed Unit	1
04-028	5SNSP0013352	Motor Paper feed Unit	1
04-029	5SNSP0013443	Clutch Assembly Paper Feed Unit	1
04-030	5SNSP0012962	Bushing	1
04-031	5SNSP0012502	Pickup Roller Rubber	2
04-032	5SNSP0012503	Pickup Roller	2
04-033	5SNSP0012963	Gear	1
04-034	5SNSP0012964	Gear	1
04-035	5SNSP0012965	Gear	1
04-036	5SNSP0012966	Paper Feed Roller	1
04-037	5SNSP0013312	Joint Gear	1
04-038	5SNSP0012968	Gear Guide Roller	1
04-039	5SNSP0012521	Paper Out Sensor Arm	1
04-040	5SNSP0012522	Paper Empty Sensor Arm	1
04-041	5SNSP0012969	Pin	2
04-042	5SNSP0013180	E-ring	17
04-043	5SNSP0013191	E-ring	9
04-044		E-ring	4
04-045	5SNSP0013188	Screw 3 x 5mm	1

Ref No.	Part Code	Description	Quantity
04-046	5SNSP0013190	Screw 3 x 6mm	2
04-047	5SNSP0013193	Screw 3 x 6mm	1
04-048	5SNSP0012970	Bearing	1
04-049	5SNSP0012971	Bearing	1

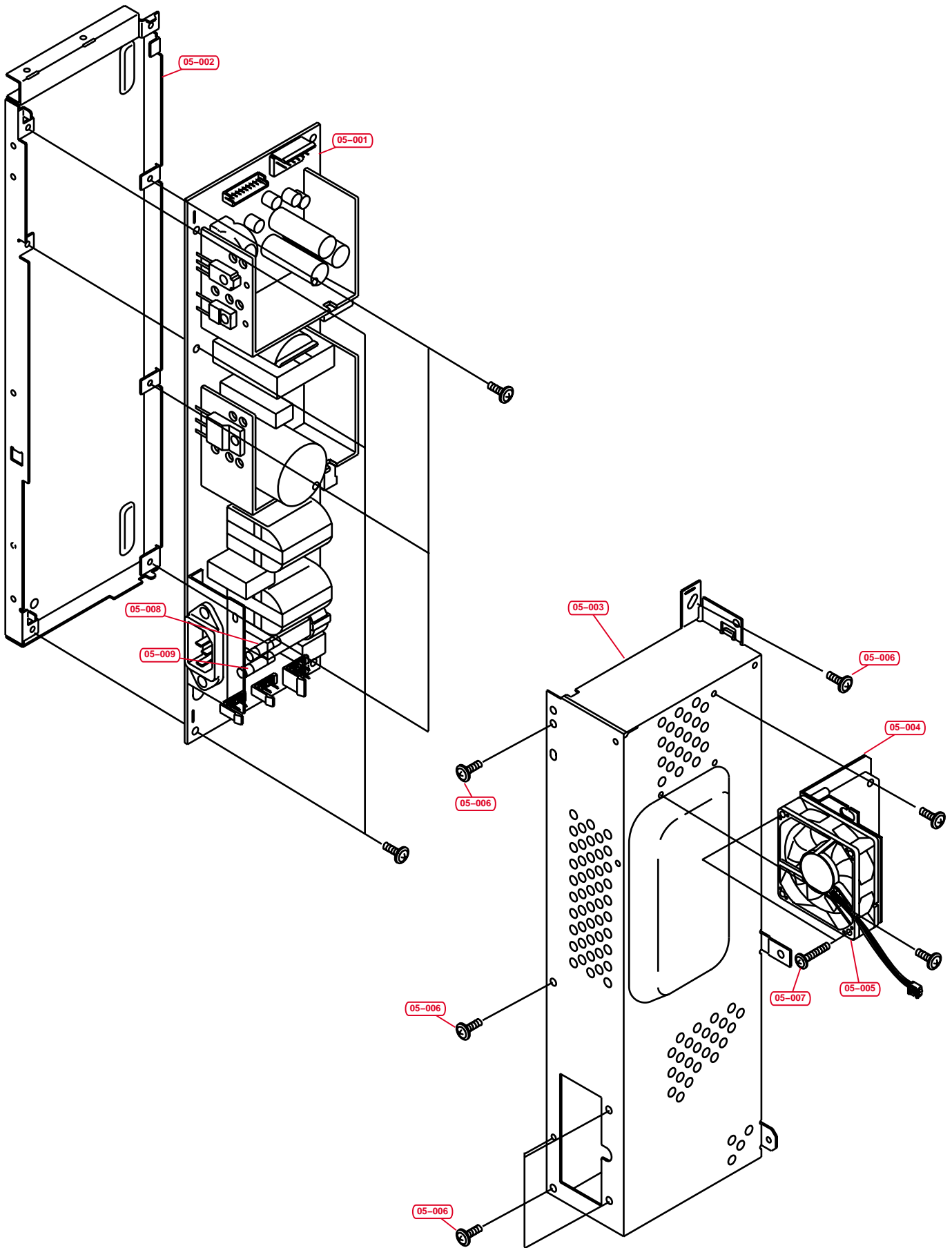


Fig.5 – Power Supply Unit

Ref No.	Part Code	Description	Quantity
05-001	5SNSP0013415	Power Supply	1
05-002	5SNSP0013406	Power Supply Frame	1
05-003	5SNSP0013375	Shield Cover	1
05-004	5SNSP0012974	Fan Motor Bracket	1
05-005	5SNSP0012504	Fan Motor	1
05-006	5SNSP0013190	Screw 3 x 6	13
05-007	5SNSP0013194	Screw 3 x 25	2
05-008	5SNSP0013450	Fuse (F201)	1
05-009	5SNSP0013451	Fuse (F203)	1

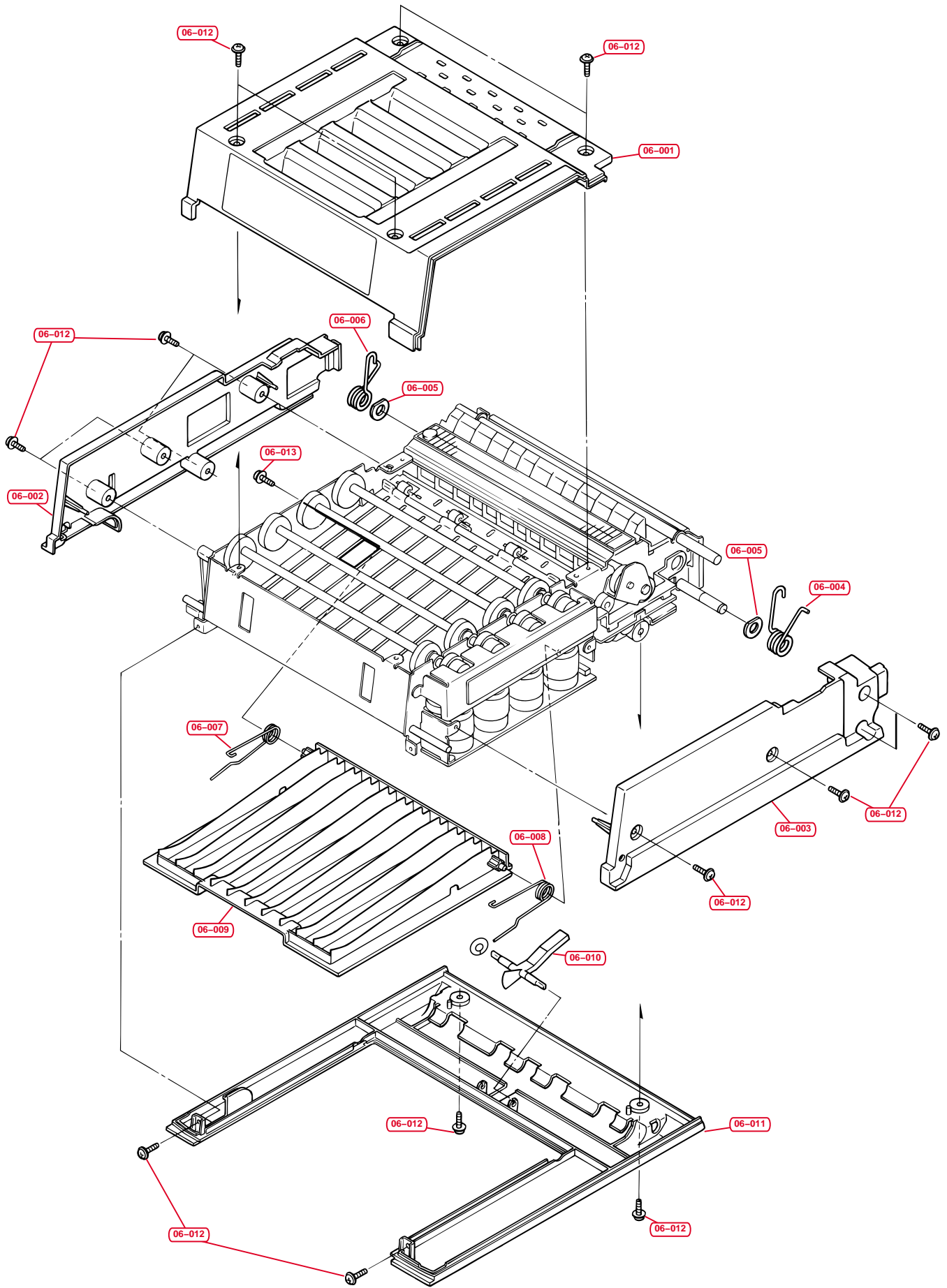


Fig.6 – Paper Eject Unit

Ref No.	Part Code	Description	Quantity
06-001	5SNSP0013430	Unit Inner Cover	1
06-002	5SNSP0012578	Solenoid Side Cover	1
06-003	5SNSP0012571	Motor Side Cover	1
06-004	5SNSP0012567	Spring D	1
06-005	5SNSP0012568	Spacer	2
06-006	5SNSP0012564	Spring C	1
06-007	5SNSP0012566	Cover Spring B	1
06-008	5SNSP0012565	Cover Spring A	1
06-009	5SNSP0013431	Face Down Cover	1
06-010	5SNSP0012570	Paper Tray Full Sensor Arm	1
06-011	5SNSP0013367	Unit Cover	1
06-012	5SNSP0012581	Screw 3 x 8	16
06-013	5SNSP0012562	Screw 3 x 8	1

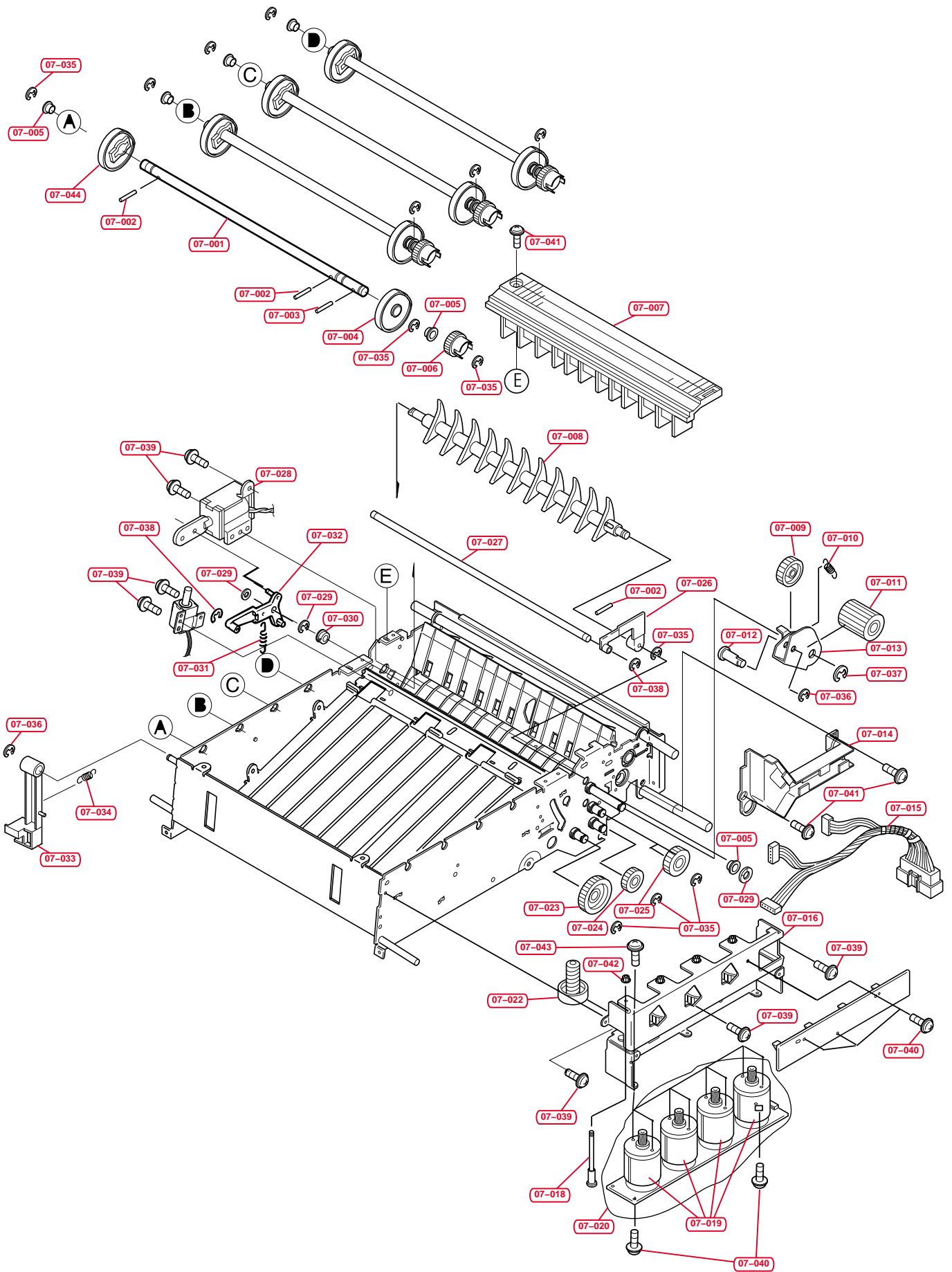


Fig.7 – Toner Cartridge Selector

Ref No.	Part Code	Description	Quantity
07-001	5SNSP0013311	Toner Selector Shaft	4
07-002	5SNSP0012978	Pin	8
07-003	5SNSP0012979	Pin	4
07-004	5SNSP0012980	Toner Selector Cam	4
07-005	5SNSP0012981	Bushing	9
07-006	5SNSP0012982	Toner Selector Cam Gear	4
07-007	5SNSP0013337	Upper Paper Ejection Guide	1
07-008	5SNSP0013338	Face Down Switch Gate	1
07-009	5SNSP0012985	Gear	1
07-010	5SNSP0012986	Joint Gear Spring	1
07-011	5SNSP0012987	Gear	1
07-012	5SNSP0012988	Joint Gear Shaft	1
07-013	5SNSP0012989	Joint Gear Bracket	1
07-014	5SNSP0013343	Relay Cable Bracket	1
07-015	5SNSP0013364	Cable	1
07-016	5SNSP0013332	Cam Motor Bracket	1
07-017	5SNSP0012993	Plastic Washer	4
07-018	5SNSP0012994	Cam Shaft	4
07-019	5SNSP0012484	Cam Motor	4
07-020	5SNSP0013416	Cam Motor Board with Motor	1
07-021	5SNSP0013417	Toner Cartridge Movement Sensor Board	1
07-022	5SNSP0013315	Cam Gear	4
07-023	5SNSP0012998	Gear	1
07-024	5SNSP0012999	Gear	1
07-025	5SNSP0013000	Gear	1
07-026	5SNSP0013334	Switch Back Arm	1
07-027	5SNSP0013001	Switch Back Shaft	1
07-028	5SNSA580CE07	Solenoid Assembly	1
07-029	5SNSP0013002	Plastic Washer	1
07-030	5SNSP0013003	Bushing	1
07-031	5SNSP0013004	Spring	1
07-032	5SNSP0013005	Switch Back Arm	1
07-033	5SNSP0012524	Release Lever	1
07-034	5SNSP0013006	Spring	1
07-035	5SNSP0013191	E-ring	17
07-036	5SNSP0012560	E-ring	2
07-037	5SNSP0013180	E-ring	1
07-038	5SNSP0013195	E-ring	2
07-039	5SNSP0013190	Screw 3 x 6	7
07-040	5SNSP0013196	Screw 3 x 8	5
07-041	5SNSP0012581	Screw 3 x 8	1
07-042	5SNSP0013007	Nut	4
07-043	5SNSP0013197	Screw 26 x 5	8
07-044	5SNSP0013008	Developer Cam	4

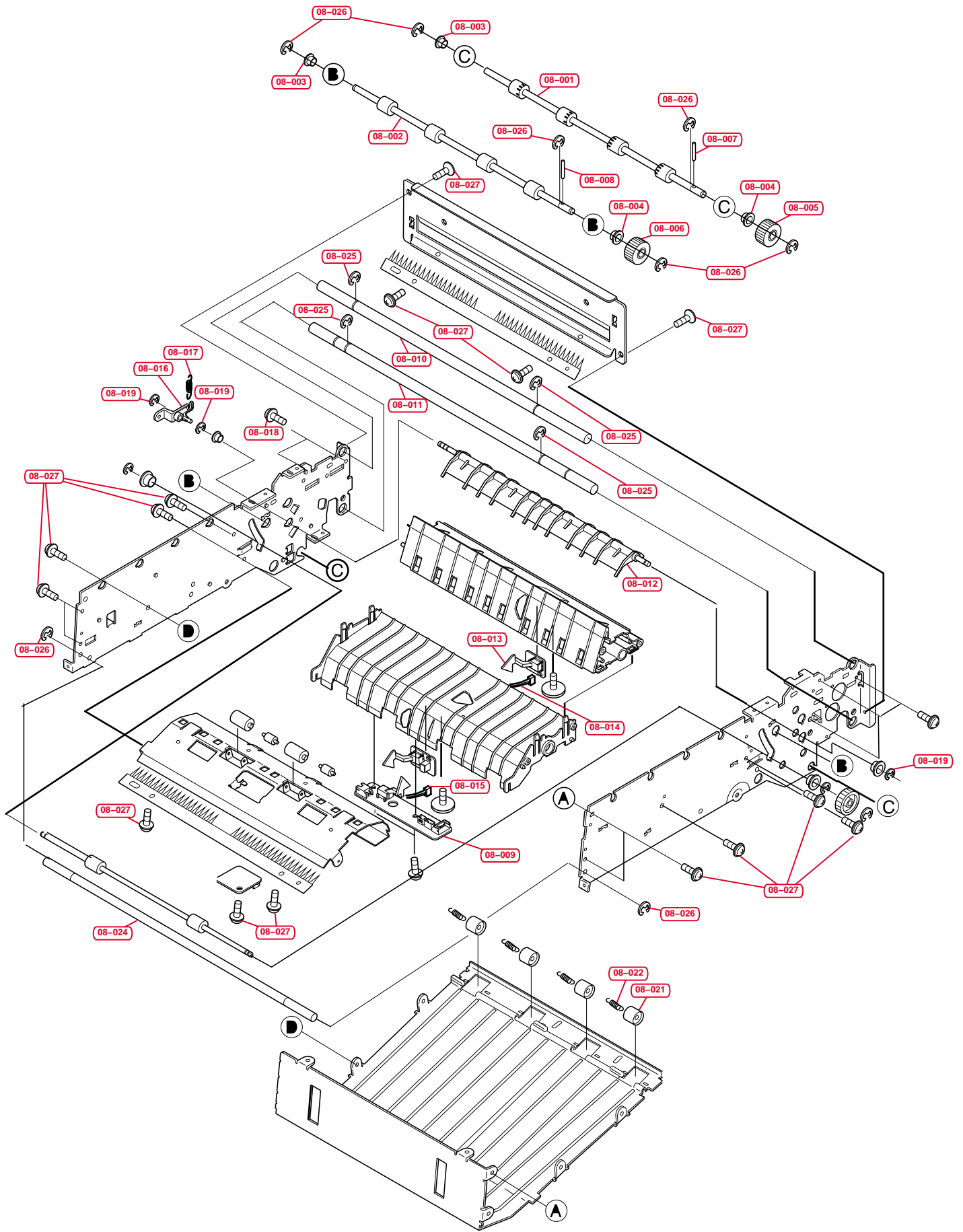
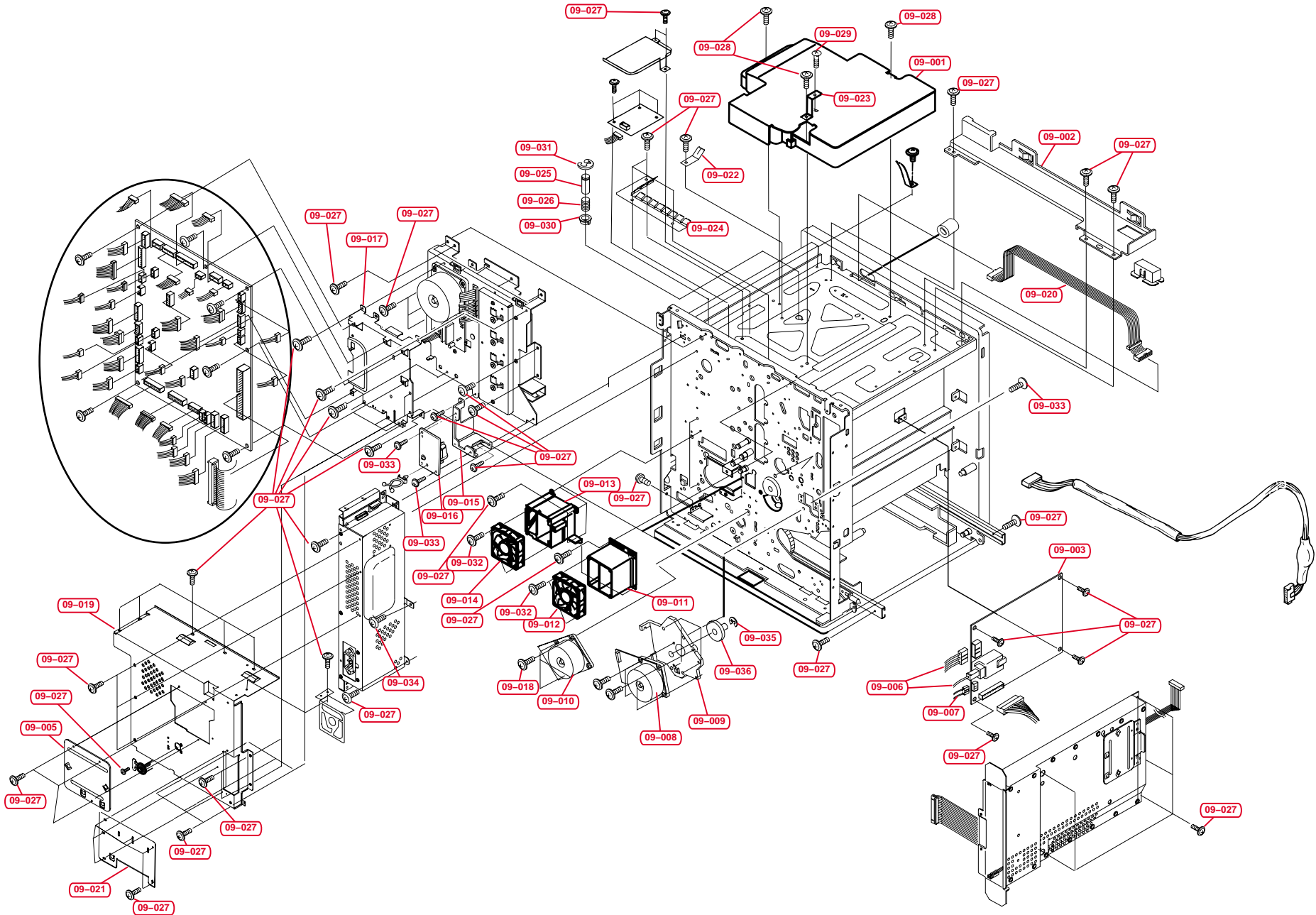


Fig.8 – Face Down Unit

Ref No.	Part Code	Description	Quantity
08-001	5SNSP0013320	Paper Ejection Roller	1
08-002	5SNSP0013323	Paper Ejection Roller	1
08-003	5SNSP0013011	Bushing	2
08-004	5SNSP0013012	Bushing	2
08-005	5SNSP0013013	Gear	1
08-006	5SNSP0013014	Gear	1
08-007	5SNSP0013015	Pin	1
08-008	5SNSP0013016	Pin	1
08-009	5SNSP0013421	Jam A/D SW PWB	1
08-010	5SNSP0013017	Stopper Shaft	1
08-011	5SNSP0013018	Supporter Shaft	1
08-012	5SNSP0013339	Lower Paper Ejection Guide	1
08-013	5SNSP0013418	Paper Exit Sensor Arm	1
08-014	5SNSP0013353	Guide Roller	4
08-015	5SNSP0013354	Guide Roller Spring	4
08-016	5SNSP0013340	Paper Ejection Sensor Arm	1
08-017		Spring	1
08-018	5SNSP0013455	Plastic Washer	1
08-019	5SNSP0013385	Paper Exit Sensor Board	1
08-020	5SNSP0013023	Cable	1
08-021	5SNSP0012538	Roller	4
08-022	5SNSP0012539	Spring	4
08-023	5SNSA580CE19	Paper Tray Full Sensor Board	1
08-024	5SNSP0013024	Hook Shaft	1
08-025	5SNSP0013180	E-ring	4
08-026	5SNSP0013191	E-ring	8
08-027	5SNSP0013190	Screw 3 x 6	10
08-028	5SNSP0012562	Screw 3 x 8	4

Fig.9 - Upper/Right/Left Side Parts



Ref No.	Part Code	Description	Quantity
09-001	5SNSP0013407	LSU (laser Scanning Unit)	1
09-002	5SNSP0013435	Front Panel Cable Cover	1
09-003	5SNSP0013373	High Voltage Board	1
09-004	5SNSP0013026	Switch Cover Plate	1
09-005	5SNSP0013027	ROM Access Panel	1
09-006	5SNSP0013411	HUU Cable	1
09-007	5SNSP0013029	HVU Cable	1
09-008	5SNSP0013349	Main Motor	1
09-009	5SNSP0013445	Main Motor Bracket	1
09-010	5SNSP0013351	Paper Feed Motor	1
09-011	5SNSP0013444	Ozone Fan Motor Bracket	1
09-012	5SNSP0012507	Ozone Fan Motor	1
09-013	5SNSP0013032	F/T Cartridge Fan Motor Bracket	1
09-014	5SNSP0013449	Fuser/Toner Cartridge Fan Motor	1
09-015	5SNSP0013033	Cleaning Board Bracket	1
09-016	5SNSA580CE24	Cleaning Board	1
09-017	5SNSP0013034	Drive Unit Cover	1
09-018	5SNSP0013198	Screw 3 x 10	8
09-019	5SNSP0013404	Engine Control Board Shield Cover	1
09-020	5AACCNQN4GEA	LCD Harness	1
09-021	5SNSP0013377	Flat Cable Shield	1
09-022	5SNSP0013038	Earth Plate	1
09-023	5SNSP0013039	Earth Plate	1
09-024	5SNSP0013040	Earth Plate	1
09-025	5SNSP0013041	PM Heat Sink Shaft	1
09-026	5SNSP0013042	Polygon Motor Heat Sink Spring	1
09-027	5SNSP0013190	Screw 3 x 6	71
09-028	5SNSP0013199	Screw 4 x 14	3
09-029	5SNSP0013200	Screw 3 x 6	1
09-030	5SNSP0013043	Bushing	1
09-031	5SNSP0013201	E-ring	1
09-032	5SNSP0013202	Screw 3 x 35	4
09-033	5SNSP0013203	Screw 3 x 8	3
09-034		Cable Clamp	1
09-035	5SNSP0013191	E-ring	1
09-036	5SNSP0012527	Main Gear	1

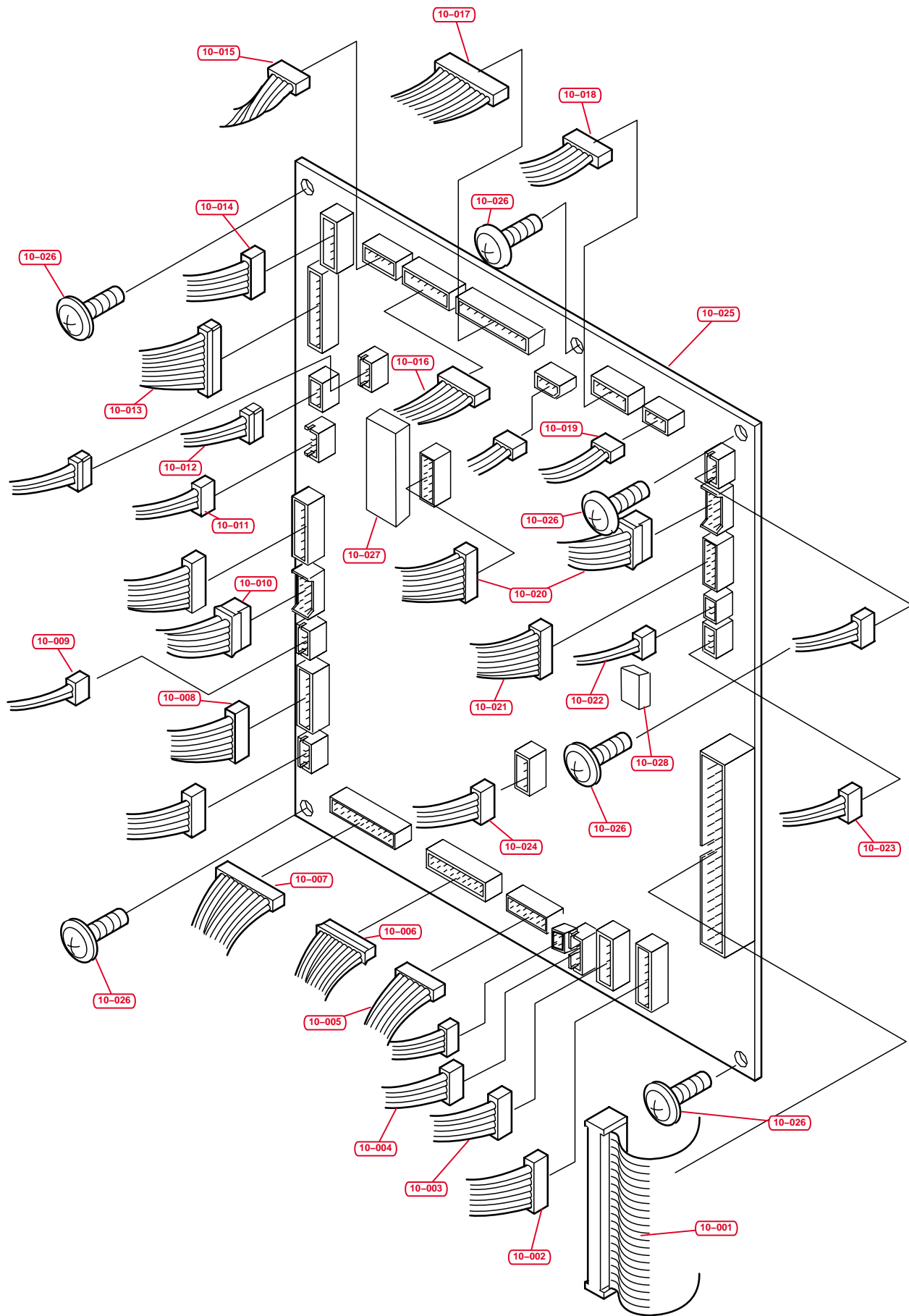


Fig.10 – Engine Control Board Connector

Ref No.	Part Code	Description	Quantity
10-001	5SNSP0013362	Flat Cable	1
10-002	5SNSP0013046	Cable	1
10-003	5SNSP0013047	Cable	1
10-004	5SNSP0013057	Cable	1
10-005	5SNSP0013049	Cable	1
10-006	5SNSP0013050	Cable	1
10-007	5SNSP0013361	Cable	1
10-008	5SNSP0013052	Cable	1
10-009	5SNSP0013053	Cable	1
10-010	5SNSP0012543	Cable	1
10-011	5SNSP0013055	Cable	1
10-012	5SNSP0013056	Cable	1
10-013	5SNSP0013058	Cable	1
10-014		Cable	1
10-015	5SNSP0013413	Cable	1
10-016	5SNSP0013060	Cable	1
10-017	5SNSP0013061	Cable	1
10-018	5SNSP0013062	Cable	1
10-019	5SNSP0013063	Cable	1
10-020	5SNSP0013064	Cable	1
10-021	5SNSP0013065	Cable	1
10-022	5SNSP0013066	Cable	1
10-023	5SNSP0013067	Cable	1
10-024	5SNSP0013068	Cable	1
10-025	5SNSP0013425	Engine Control Board	1
10-026	5SNSP0013203	Screw 3 x 10	6
10-027	5SNSP0012409	ROM (IC4)	1
10-028	5SNSP0013426	EEPROM (IC6)	1
10-000	5AAPRLGG4033AH	Rip PWB Assy	1
10-000	5AAPRMEG4021EQ	DIMM Boot PWB Assy	1
10-000	5AAPRMEG4021FQ	DIMM System PWB Assy	1
10-000	5AAPRIFG4014AH	PIF PWB Assy	1
10-000	5AACCNQR3GEA	CONN.CORD S02345	1
10-000	5AAY580CE*03	Plate Rear Assy	1

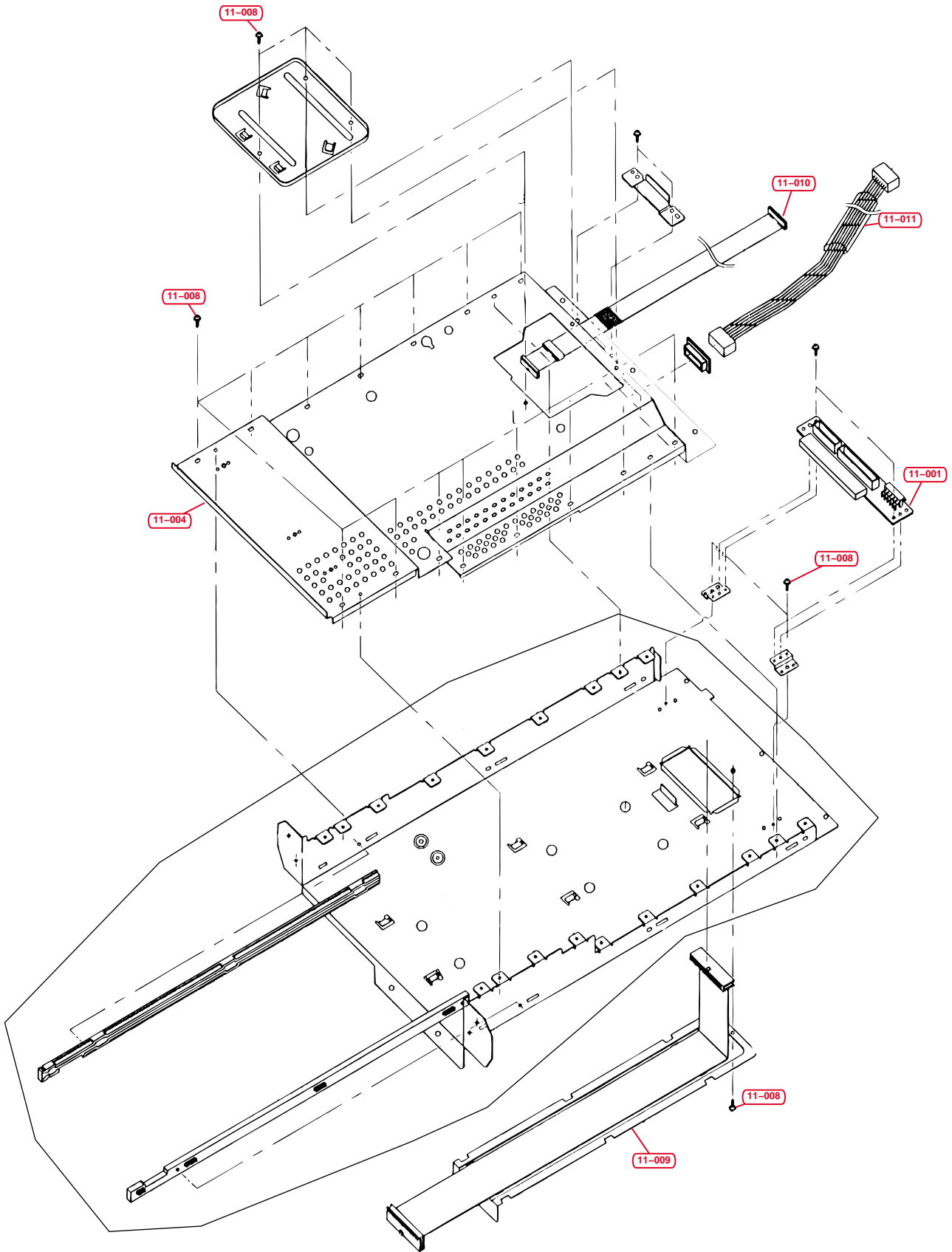


Fig.11 – Main Control Board

Ref No.	Part Code	Description	Quantity
11-001	5AAPRZZG2016AH	RER PWB Assy	1
11-004	5AAPRLGG4033AH	Main Logic Board	1
11-008	5SNSP0013204	Printer Panel Relay Board	1
11-009	5SNSP0013410	Video I/F Cable	1
11-010	5SNSP0013076	RIP Chassis	1
11-011		RIP Cover	1

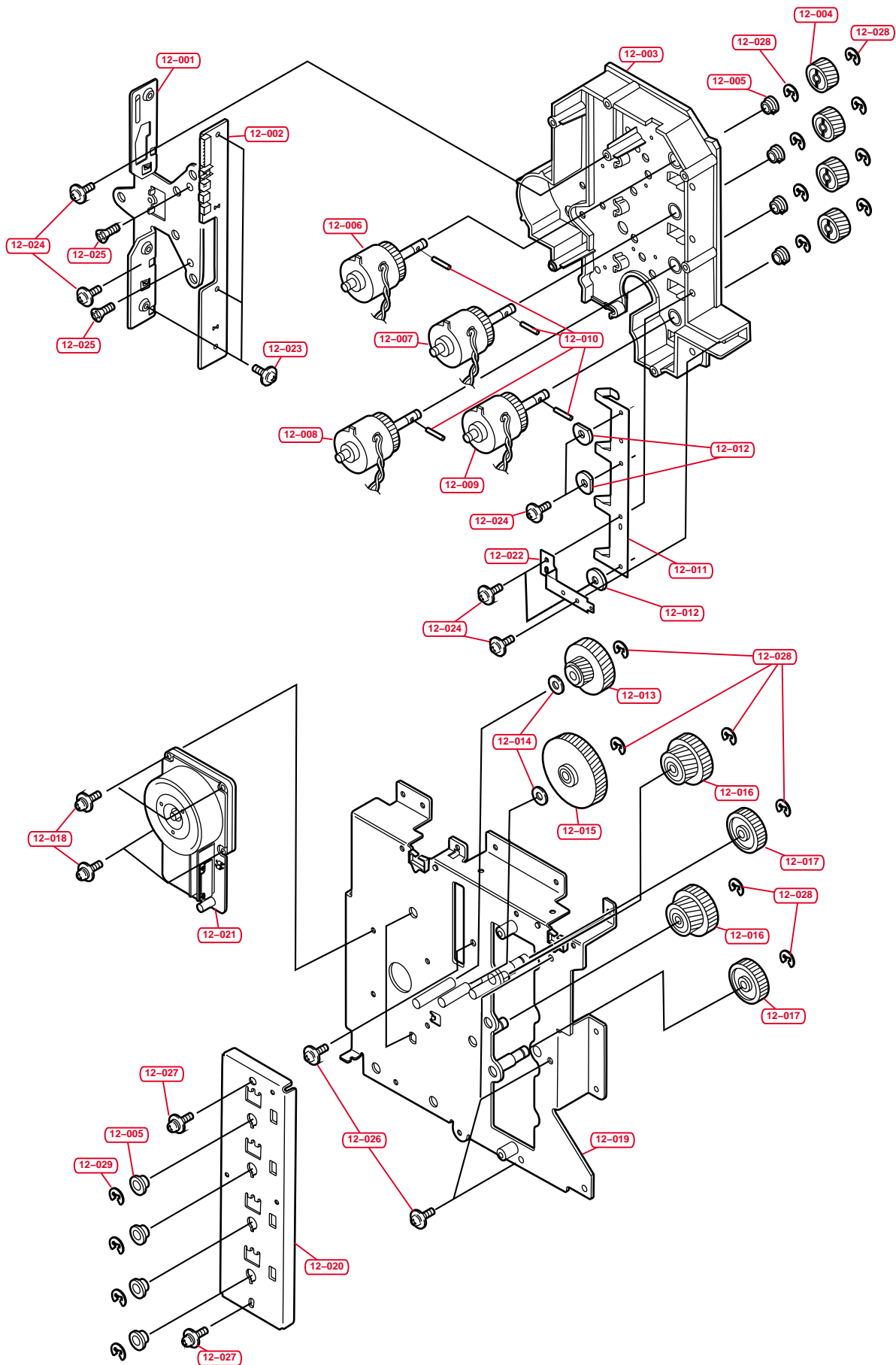
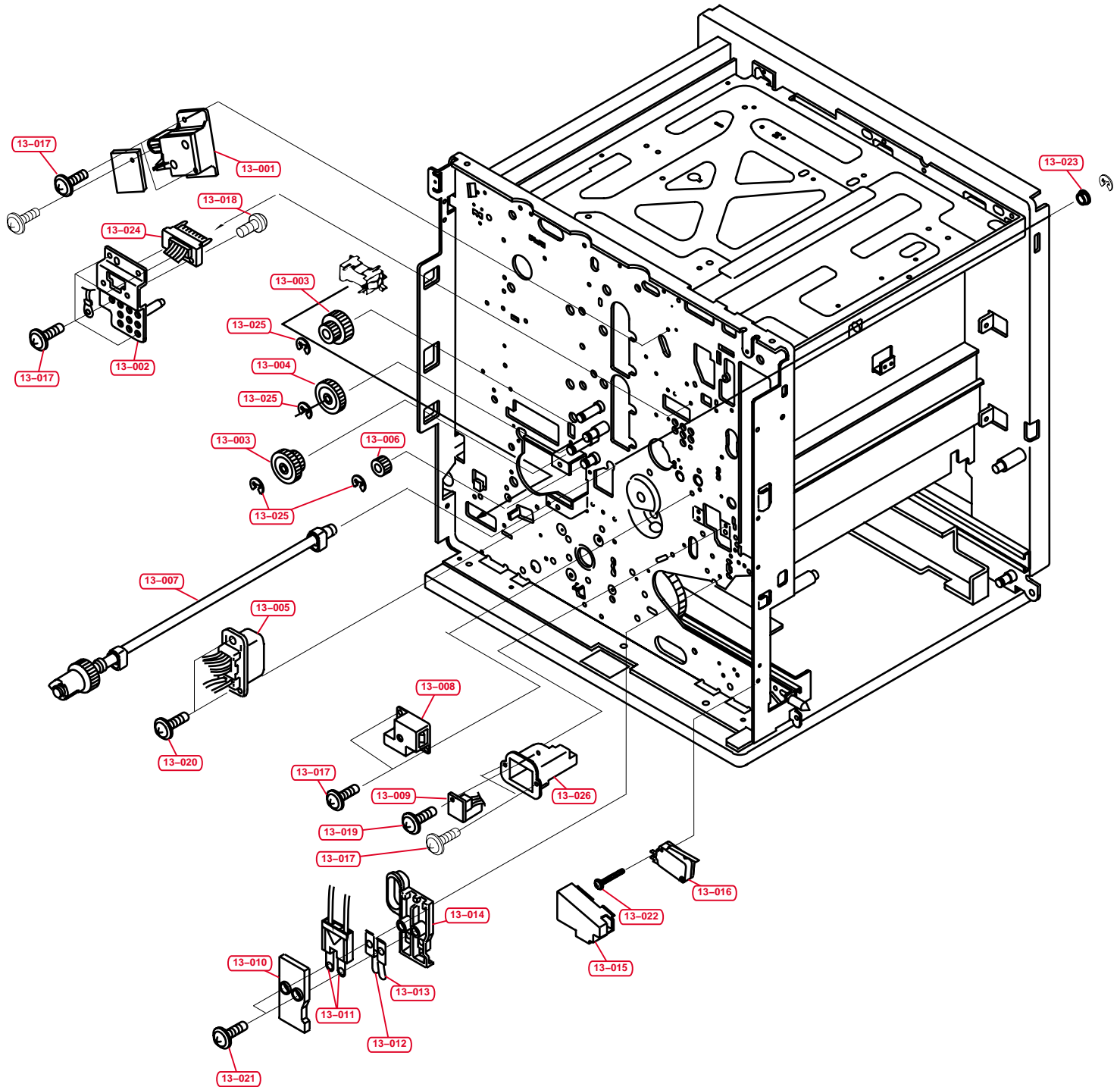


Fig.12 – Toner Cartridge Drive Unit

Ref No.	Part Code	Description	Quantity
12-001	5SNSP0013083	Toner Sensor Bracket	1
12-002	5SNSA580CE26	Toner Sensor Board	1
12-003		Drive Unit Case	1
12-004	5SNSP0012510	Clutch Drive Gear	1
12-005	5SNSP0013085	Bushing	4
12-006	5SNSP0012511	Clutch Assembly – Black	1
12-007	5SNSP0012512	Clutch Assembly – Cyan	1
12-008	5SNSP0012513	Clutch Assembly – Magenta	1
12-009	5SNSP0012514	Clutch Assembly – Yellow	1
12-010	5SNSP0013086	Pin	4
12-011	5SNSP0013087	Bias Plate	1
12-012		Washer	3
12-013	5SNSP0012528	Drive Gear	1
12-014	5SNSP0013384	Washer	1
12-015	5SNSP0012540	Gear A	1
12-016	5SNSP0012541	Gear B	2
12-017	5SNSP0012542	Gear C	2
12-018	5SNSP0013198	Screw 3 x 10	4
12-019	5SNSP0013440	Drive Unit Bracket	1
12-020	5SNSP0013091	Clutch Bracket	1
12-021	5SNSP0013350	Toner Cartridge Drive Motor	1
12-022	5SNSP0013092	Bias Plate	1
12-023	5SNSP0013190	Screw 3 x 6	3
12-024	5SNSP0012550	Screw 3 x 8	7
12-025	5SNSP0013208	Screw 3 x 10	2
12-026	5SNSP0013184	Screw 3 x 10	6
12-027	5SNSP0013203	Screw 3 x 8	2
12-028	5SNSP0013191	E-ring	14
12-029	5SNSP0012560	E-ring	4

Fig.13 - Mechanical Base



Ref No.	Part Code	Description	Quantity
13-001	5SNSP0013408	High Voltage Terminal Unit	1
13-002	5SNSP0013442	Drawer holder	1
13-003	5SNSP0013094	Gear	2
13-004	5SNSP0012542	Gear	1
13-005	5SNSP0012543	Fuser Unit Coupling Connector	1
13-006	5SNSP0013095	Gear	1
13-007	5SNSA580CE57	Cleaning clutch/Shaft Assembly	1
13-008	5SNSA580CE58	FTR Bias Terminal Unit	1
13-009	5SNSA580CE15	Home Sensor board	1
13-010		Terminal Cover	2
13-011	5SNSP0013097	Terminal	1
13-012	5SNSP0013098	Terminal	1
13-013	5SNSP0013099	Terminal	1
13-014	5SNSP0013100	Terminal Cover	1
13-015	5SNSP0013101	Switch Cover	1
13-016	5SNSP0012529	Switch	1
13-017	5SNSP0013190	Screw 3 x 6	10
13-018	5SNSP0012581	Screw 3 x 8	2
13-019	5SNSP0013181	Screw 3 x 6	1
13-020	5SNSP0013211	Screw 3 x 10	2
13-021	5SNSP0013212	Screw 3 x 16	2
13-022	5SNSP0013213	Screw 3 x 16	2
13-023	5SNSP0013102	Bushing	1
13-024		Imaging unit Coupling Connector	1
13-025	5SNSP0013191	E-ring	4
13-026	5SNSP0013103	Home Sensor Case	1

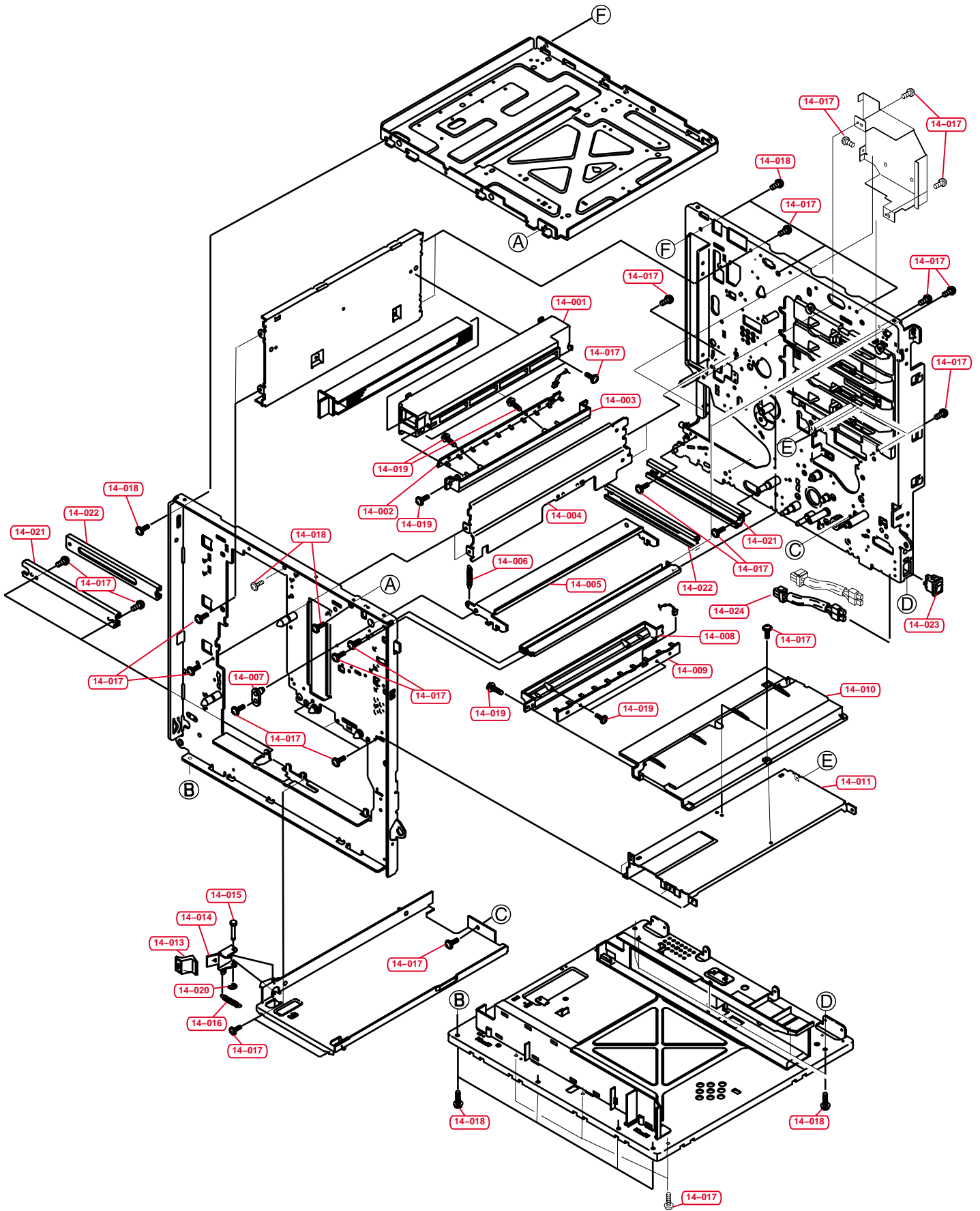


Fig.14 - Mechanical Base

Ref No.	Part Code	Description	Quantity
14-001	5SNSP0013104	Ozone Filter Holder	1
14-002	5SNSA580CE28	Pre-exposure Eraser Board	1
14-003	5SNSP0013105	Eraser Board Cover	1
14-004	5SNSP0013402	Process Unit Guide Rail	1
14-005	5SNSP0013107	Lock Lever	1
14-006	5SNSP0013108	Lock Lever Spring	1
14-007	5SNSP0013109	Lock Lever Support	1
14-008	5SNSP0013110	Pre-Transfer Board Cover	1
14-009	5SNSA580CE16	Pre-Transfer Board	1
14-010	5SNSP0013111	Frame	1
14-011	5SNSP0013401	Frame	1
14-013	5SNSP0013114	Knob	1
14-014	5SNSP0013115	Stopper Lever	1
14-015	5SNSP0013116	Stopper Lever Shaft	1
14-016	5SNSP0013117	Spring	1
14-017	5SNSP0013190	Screw 3 x 6	26
14-018	5SNSP0013214	Screw 4 x 8	14
14-019	5SNSP0012550	Screw 3 x 8	6
14-020	5SNSP0013186	E-ring	1
14-021	5SNSP0013118	Rail Support	2
14-022	5SNSP0013119	Side Rail Plate	2
14-023	5SNSP0012531	Power Switch	1
14-024	5SNSP0013365	Power Switch Cable	1

Ref No.	Part Code	Description	Quantity
15-001	5SNSP0013341	Toner Cartridge Guide Rail	1
15-002	5SNSP0013121	Spring	3
15-003	5SNSP0013122	Spring	4
15-004	5SNSP0013441	Toner Cartridge Guide Rail Ass'y	1
15-005	5SNSP0013123	Gear	1
15-006	5SNSP0013124	Washer	1
15-007	5SNSP0013125	Corner Bracket	2
15-008	5SNSP0013126	Gear	1
15-009	5SNSP0013127	Gear	1
15-010	5SNSP0013128	Gear	1
15-011	5SNSP0013129	Gear	1
15-012	5SNSP0013130	Gear	1
15-013	5SNSP0013131	Gear	1
15-014	5SNSP0013132	Washer	1
15-015	5SNSP0013133	Spacer	1
15-016	5SNSP0013380	Gear Bracket	1
15-017	5SNSP0013371	Cassette Guide	1
15-018	5SNSP0013136	Cassette Lock Spring	2
15-019	5SNSP0013370	Cassette Guide	1
15-020	5SNSP0013345	C Detect Senor Board Case	1
15-021	5SNSP0013420	Tray Senor Board	1
15-022	5SNSP0013139	CDS Board Case	1
15-023	5SNSP0013140	Resistor	1
15-024	5SNSP0013141	Plate	1
15-025	5SNSP0013142	Rubber Foot	4
15-026	5SNSP0013143	Plate	2
15-027	5SNSA580CE23	Toner cartridge Sensor Board	1
15-028	5SNSP0012545	Interlock Switch Arm A	1
15-029	5SNSP0012546	Interlock Switch Arm B	1
15-030	5SNSP0012547	Interlock Switch	2
15-031	5SNSP0013190	Screw 3 x 6	22
15-032	5SNSP0013215	Screw 3 x 10	1
15-033		Screw 3 x 16	4
15-034	5SNSP0012551	Screw 3 x 12	4
15-035	5SNSP0012550	Screw 3 x 8	4
15-036	5SNSP0013191	E-ring	1
15-037	5SNSP0013144	Screw	1
15-038	5SNSP0013145	Screw	1
15-039	5SNSP0013383	Corner Bracket	1
15-040	5SNSP0013146	Screw	4
15-041	5SNSP0013147	Option Second F Coupling Conn	1
15-042	5SNSP0013148	Paper Feed Coupling Connector	1
15-043	5SNSP0013184	Screw x10	3
15-044		Spring	1
15-045	5SNSP0013149	Bias Plate	1

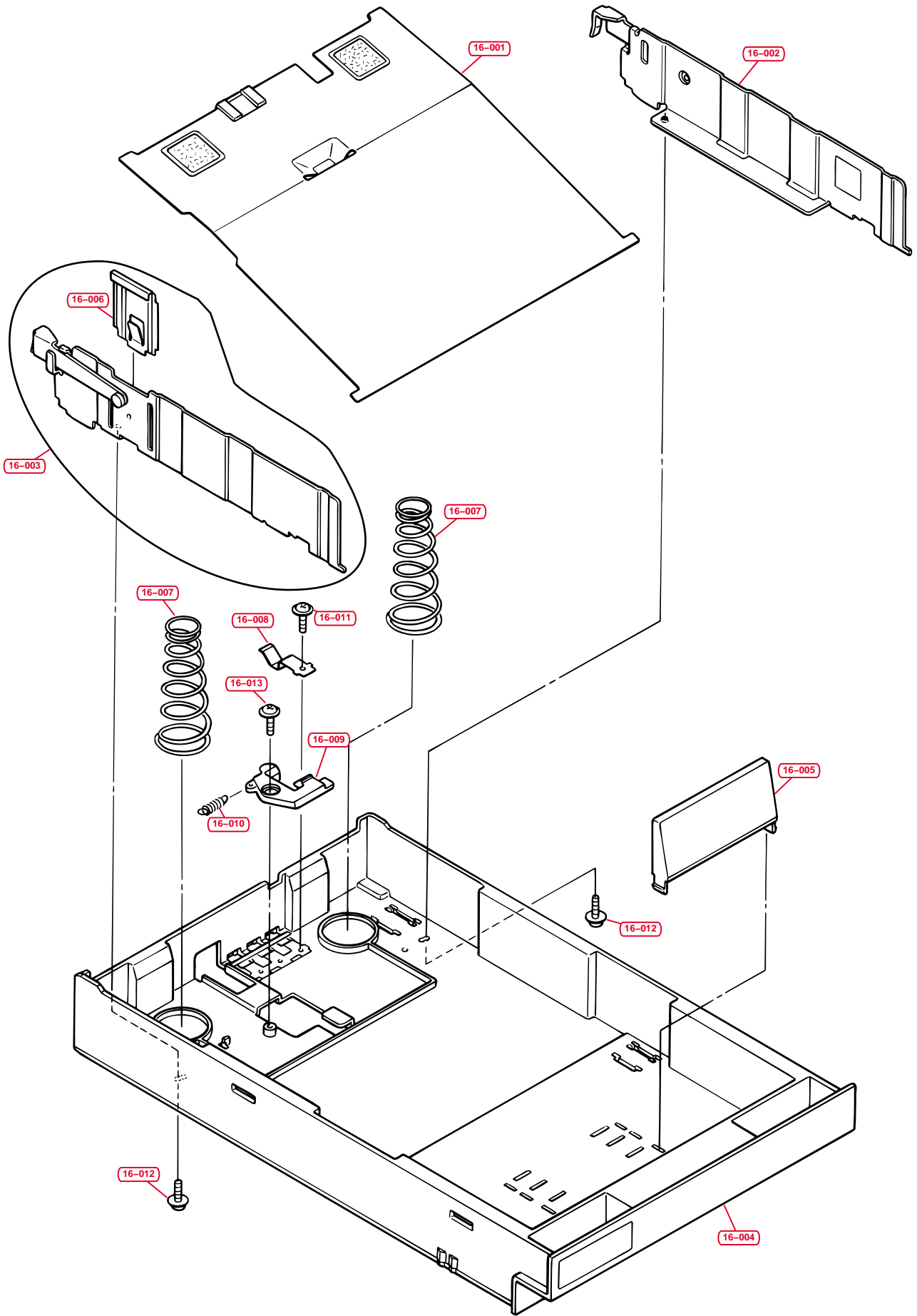


Fig.16 - Media Tray

Ref No.	Part Code	Description	Quantity
16-001	5SNSA580CE59	Base Plate Assembly	1
16-002	5SNSP0012532	Paper Guide – Right	1
16-003	5SNSP0012533	Paper Guide – Left	1
16-004	5SNSP0013447	Paper Cassette Base	1
16-005	5SNSP0012569	Paper End Plate	1
16-006	5SNSP0012534	Side Pressure Spring	1
16-007	5SNSP0013151	Friction Spring	2
16-008	5SNSP0013152	Cassette Switch Spring	1
16-009	5SNSP0013153	Base Plate Holder Arm	1
16-010	5SNSP0013154	Holder Arm Spring	1
16-011	5SNSP0013181	Screw 3 x 6	1
16-012	5SNSP0013179	Screw 3 x 6	2
16-013	5SNSP0012562	Screw 3 x 8	1

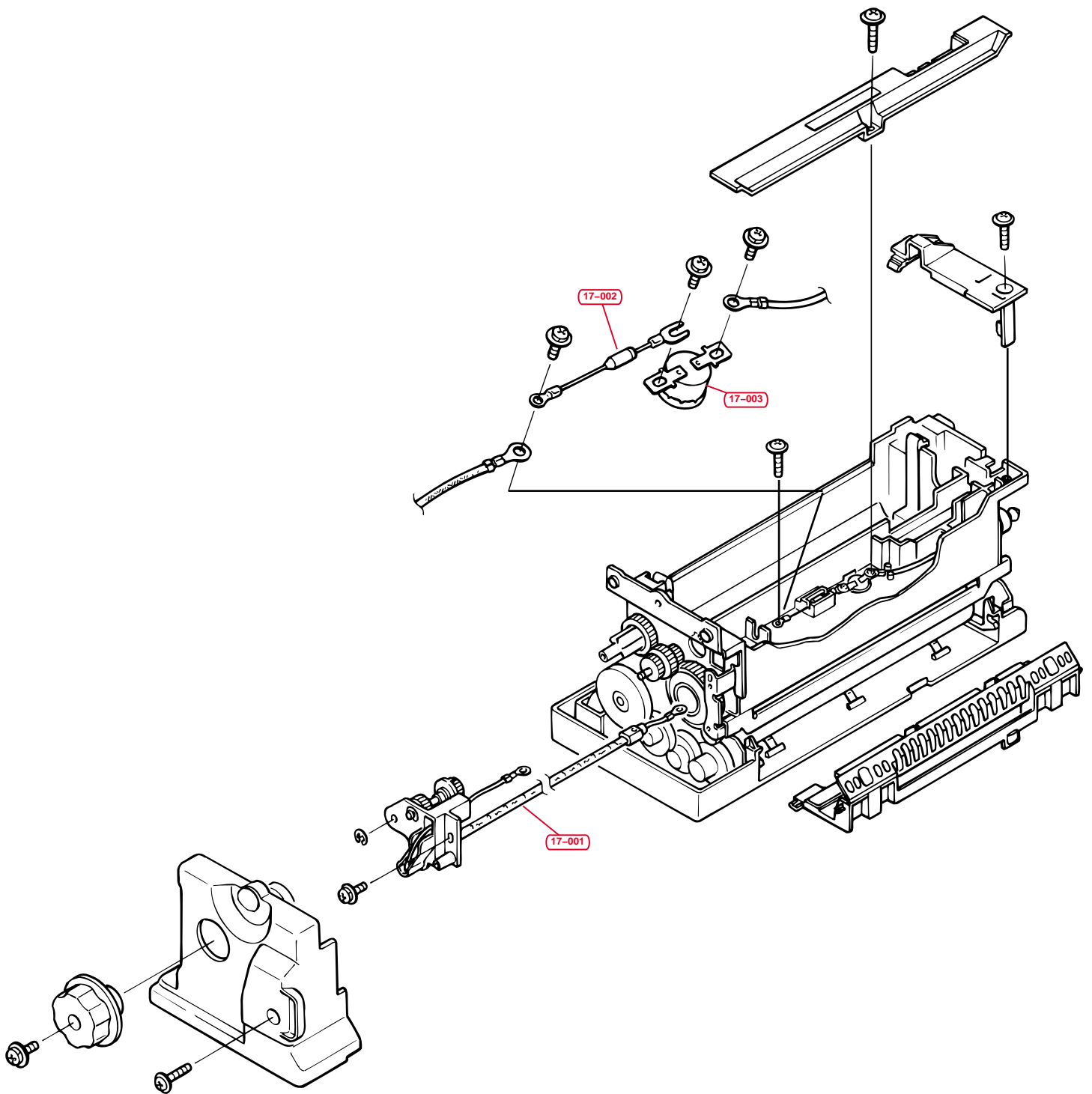


Fig.17 - Fuser Unit

Ref No.	Part Code	Description	Quantity
17-000	FK-81	Fuser Kit	1
17-001	5SNSP0013308	Heat Lamp	1
17-002	5SNSP0012535	Thermal Fuse	1
17-003	5SNSP0012536	Thermostat	1