

5 Parts Lists

PL 1 - Standby Power

PL 1.10 SMPS and PBA Main (M20F) (1 of 2).....	5-3
PL 1.12 SMPS and PBA Main (M20F) (2 of 2).....	5-4
PL 1.15 SMPS and PBA Main (4118)	5-5
PL 1.20 SMPS and PBA Main (2218)	5-6

PL 2 - User Interface

PL 2.10 OPE Assembly (1 of 2) (M20F).....	5-7
PL 2.11 OPE Assembly (2 of 2) (M20F).....	5-8
PL 2.15 OPE Assembly (4118)	5-9
PL 2.18 OPE Assembly (2218)	5-10

PL 4 - Main Frame, Covers and Drives

PL 4.10 Base Frame Assembly.....	5-11
PL 4.15 Main Frame Assembly (1 of 2).....	5-12
PL 4.17 Main Frame Assembly (2 of 2).....	5-13
PL 4.20 Drives Assembly	5-14
PL 4.25 Covers	5-15

PL 5 - Document Transport

PL 5.10 DADF Assembly (1 of 5) (M20F, 2218)	5-16
PL 5.11 DADF Assembly (2 of 5) (M20F, 2218)	5-17
PL 5.12 DADF Assembly (3 of 5) (M20F, 2218)	5-18
PL 5.13 DADF Assembly (4 of 5) (M20F, 2218)	5-19
PL 5.14 DADF Assembly (5 of 5) (M20F, 2218)	5-20
PL 5.20 ADF Assembly (1 of 3) (4118)	5-21
PL 5.22 ADF Assembly (2 of 3) (4118)	5-22
PL 5.24 ADF Assembly (3 of 3) (4118)	5-23
PL 5.25 Platen Cover Assembly (4118).....	5-24

PL 6 - Imaging

PL 6.10 LSU.....	5-25
------------------	------

PL 7 - Paper Supply

PL 7.10 Tray 1 Cassette Assembly	5-26
PL 7.15 Tray 2 Cassette Assembly (1 of 2)	5-27
PL 7.16 Tray 2 Cassette Assembly (2 of 2)	5-28

PL 8 - Paper Transport

PL 8.10 Side Cover Assembly (1 of 3).....	5-29
PL 8.11 Side Cover Assembly (2 of 3).....	5-30
PL 8.13 Side Cover Assembly (3 of 3).....	5-31
PL 8.15 Feeder Assembly	5-32
PL 8.20 MP Assembly.....	5-33
PL 8.25 Pickup Assembly	5-34

PL 9 - Xerographics

PL 9.10 Toner & Drum Cartridge	5-35
--------------------------------------	------

PL 10 - Fusing and Copy/Print Transportation

PL 10.10 Exit Assembly	5-36
PL 10.15 Fuser assembly.....	5-37

PL 14 - Scanner

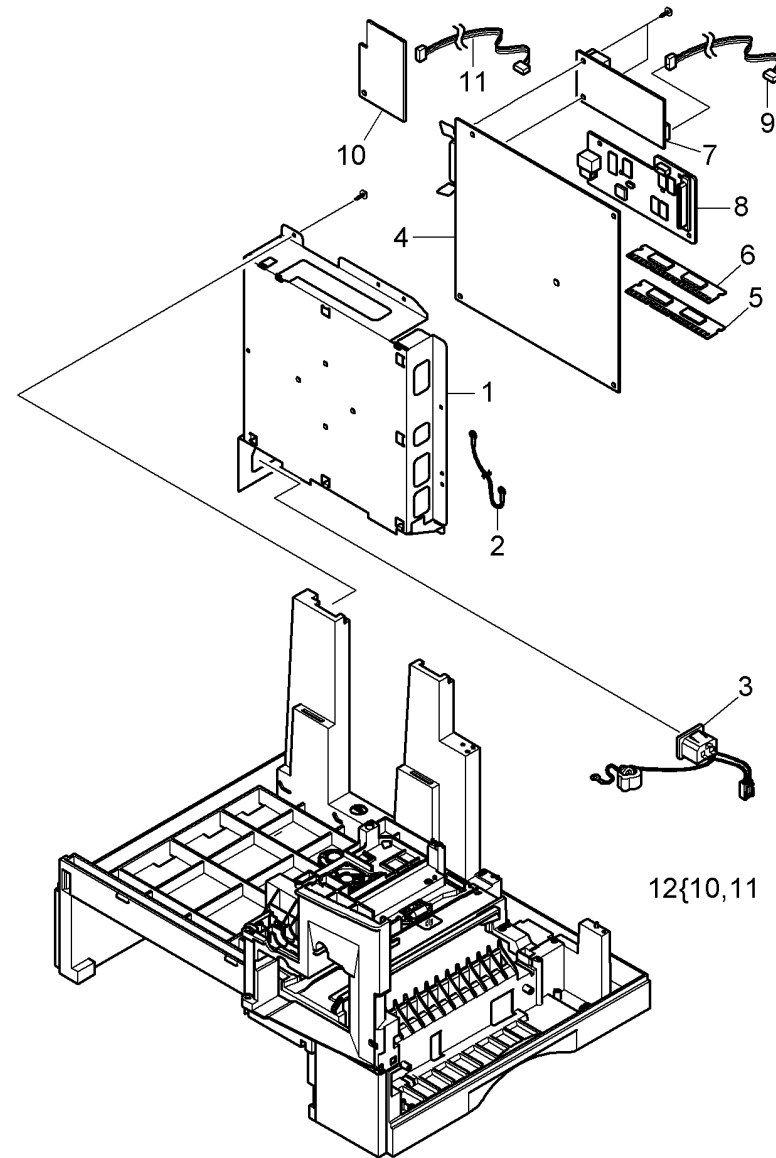
PL 14.10 ELA HOU Scanner Assembly (1 of 3).....	5-38
PL 14.11 ELA HOU Scanner Assembly (2 of 3).....	5-39
PL 14.13 ELA HOU Scanner Assembly (3 of 3).....	5-40

PL 31 - Maintenance/Installation/Removal Kits

PL 31.10 Maintenance/Installation/Removal Kits	5-41
Part Number Index	5-42

PL 1.10 SMPS and PBA Main (M20F) (1 of 2)

Item	Part	Description
1	-	Shield - P Main Lower (P/O PL 1.10 Item 5)
2	152N11726	CBF Harness - LIU GND
3	-	CBF Harness - Inlet (P/O PL 1.10 Item 5)
4	140N63169	PBA Main (C20, M20) (W/TAG 050) (REP 1.2)
-	140N62862	PBA Main (C20, M20) (W/O TAG 050) (REP 1.2)
-	140N63168	PBA Main (M20i) (W/TAG 050) (REP 1.2)
-	140N62861	PBA Main (M20i) (W/O TAG 050) (REP 1.2)
5	140N62864	PBA ETC - PS- DIMM
6	144N00143	SDRAM - DIMM (32MB) (C20, M20) (W/TAG 050)
-	144N00128	SDRAM - DIMM (32MB) (C20, M20) (W/O TAG 050)
-	144N00142	SDRAM - DIMM (48MB) (M20i) (W/TAG 050)
-	144N00129	SDRAM - DIMM (48MB) (M20i) (W/O TAG 050)
7	140N63177	PBA LIU (G1) (U.K.) (W/TAG 050) (REP 1.2)
-	140N62876	PBA LIU (G1) (U.K.) (W/O TAG 050) (REP 1.2)
-	140N63179	PBA LIU (G4) (USSG/XCL) (W/TAG 050) (REP 1.2)
-	140N62879	PBA LIU (G4) (USSG/XCL) (W/O TAG 050) (REP 1.2)
-	140N63178	PBA LIU (G2) (Russia) (W/TAG 050) (REP 1.2)
-	140N62877	PBA LIU (G2) (Russia) (W/O TAG 050) (REP 1.2)
-	140N62878	PBA LIU (G3) (Poland) (REP 1.2)
8	140N63170	PBA SUB - NPC3 - MFP (USB & NIC) (W/TAG 050) (REP 1.2)
-	140N62863	PBA SUB - NPC3 - MFP (USB & NIC) (W/O TAG 050) (REP 1.2)
-	140N63173	PBA SUB NPC3 Direct (USB Only) (W/TAG 050) (REP 1.2)
-	140N62871	PBA SUB NPC3 Direct (USB Only) (W/O TAG 050) (REP 1.2)
9	152N11551	CBF Harness LIU
10	140N63060	PBA Foreign Device Interface
11	152N11557	PBA Foreign Device Interface Harness
12	-	Foreign Device Interface Kit (REF: PL 31.10 Item 1)



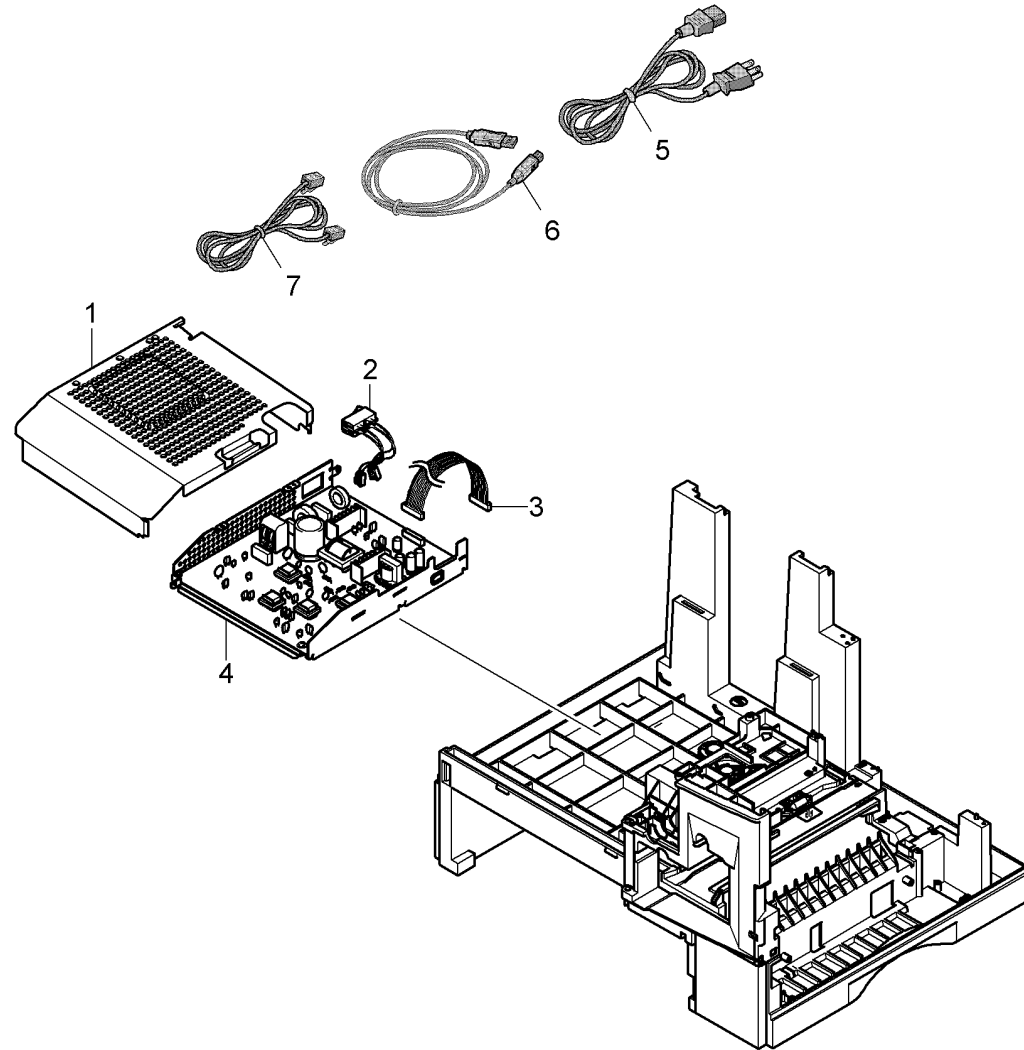
AP-8-0041-A

NOTE: If necessary, refer to GP 20 for the acronym list and cross reference lists of more commonly recognised part names.

PL 1.12 SMPS and PBA Main (M20F) (2 of 2)

Item	Part	Description
1	–	IPR - Shield SMPS Upper (Not Spared) (REP 1.1)
2	152N11548	CBF Power Switch Grey
3	152N11550	CBF Harness - Power + HVPS
4	140N62860	SMPS + HVPS (XE) (REP 1.1)
–	140N62859	SMPS + HVPS (USSG/XCL) (REP 1.1)
5	117N01602	AC Power Cord (USSG/XCL)
6	117N01313	USB Cable
7	117N01620	Telephone Line Cord (USSG/XCL)

NOTE: If necessary, refer to GP 20 for the acronym list and cross reference lists of more commonly recognised part names.

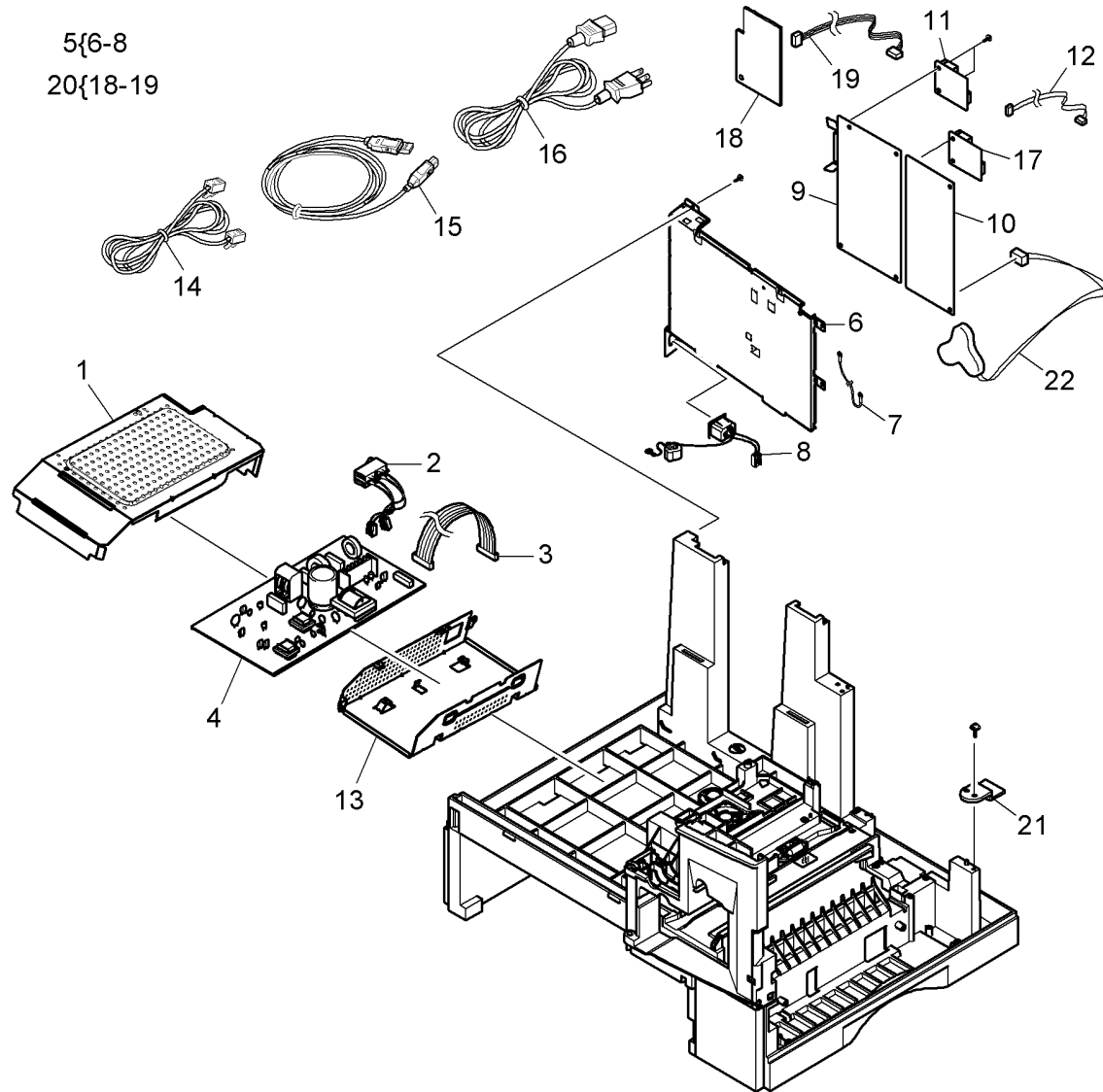


AP-8-0022-C

PL 1.15 SMPS and PBA Main (4118)

Item	Part	Description
1	-	IPR - Shield SMPS Upper (Not Spared)
2	152N11725	CBF Power Switch Grey
3	-	CBF Harness - Power + HVPS (Not Spared)
4	140N63182	SMPS (XE) (REP 1.5)
-	140N63183	SMPS (USSG/XCL) (REP 1.5)
5	-	ELA HOU - Shield Main Lower (Not Spared)
6	-	Shield - P Main Lower (Not Spared)
7	152N11726	CBF Harness LUI GND
8	-	CBF Harness Inlet (Not Spared)
9	140N63188	PBA Main (4118P) (REP 1.3)
-	140N63187	PBA Main (4118X) (REP 1.3)
10	105N02109	HVPS (REP 1.4)
11	140N63189	PBA LUI (XE)
-	140N63190	PBA LUI (XCL) (USSG)
12	-	CBF Harness LUI (Not Spared)
13	-	Support Tray (Not Spared)
14	117N01620	Telephone Line Cord (USSG/XCL)
15	117N01313	USB Cable
16	117N01602	AC Power Cord (USSG/XCL)
17	-	PBA SUB NIC (REF: PL 31.10 Item 7)
18	140N63060	PBA Foreign Device Interface
19	152N11721	Foreign device Interface Harness
20	-	Foreign Device Interface Kit (P/O PL 31.10 Item 1)
21	-	Battery Retainer (Not Spared)
22	-	Battery (Not Spared)

NOTE: If necessary, refer to GP 20 for the acronym list and cross reference lists of more commonly recognised part names.

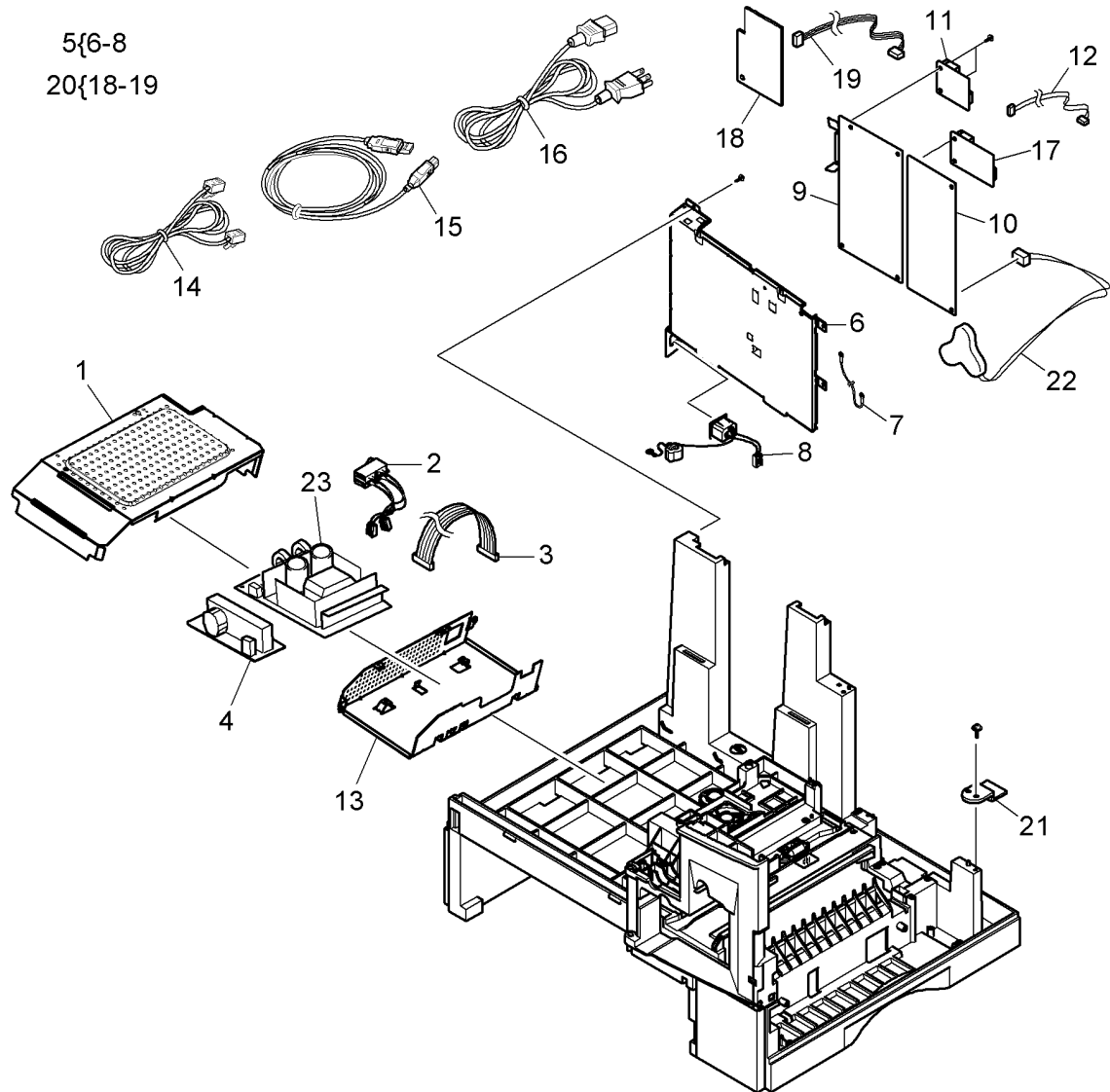


AP-8-0032-A

PL 1.20 SMPS and PBA Main (2218)

Item	Part	Description
1	-	IPR - Shield SMPS Upper (Not Spared)
2	152N11743	CBF Power Switch Grey
3	152N11744	CBF Harness - Power + HVPS
4	126N00283	SMPS - PSP Fuser (XE) (REP 1.7)
-	140N63183	SMPS - PSP Fuser (USSG/XCL) (REP 1.7)
5	-	ELA HOU - Shield Main Lower (Not Spared)
6	-	Shield - P Main Lower (Not Spared)
7	152N11726	CBF Harness LUI GND
8	-	CBF Harness Inlet (Not Spared)
9	140N63256	PBA Main (REP 1.3)
10	105N02109	HVPS (REP 1.4)
11	140N63189	PBA LUI (XE)
-	140N63190	PBA LUI (USSG/XCL)
12	-	CBF Harness LUI (Not Spared)
13	-	Support Tray (Not Spared)
14	117N01620	Telephone Line Cord (USSG/XCL)
15	117N01313	USB Cable
16	117N01602	AC Power Cord (USSG/XCL)
17	140N63258	PBA SUB NIC
18	140N63060	PBA Foreign Device Interface
19	152N11721	Foreign Device Interface Harness
20	-	Foreign Device Interface Kit (P/O PL 31.10 Item 1)
21	-	Battery Retainer (Not Spared)
22	-	Battery (Not Spared)
23	126N00282	SMPS (REP 1.6)

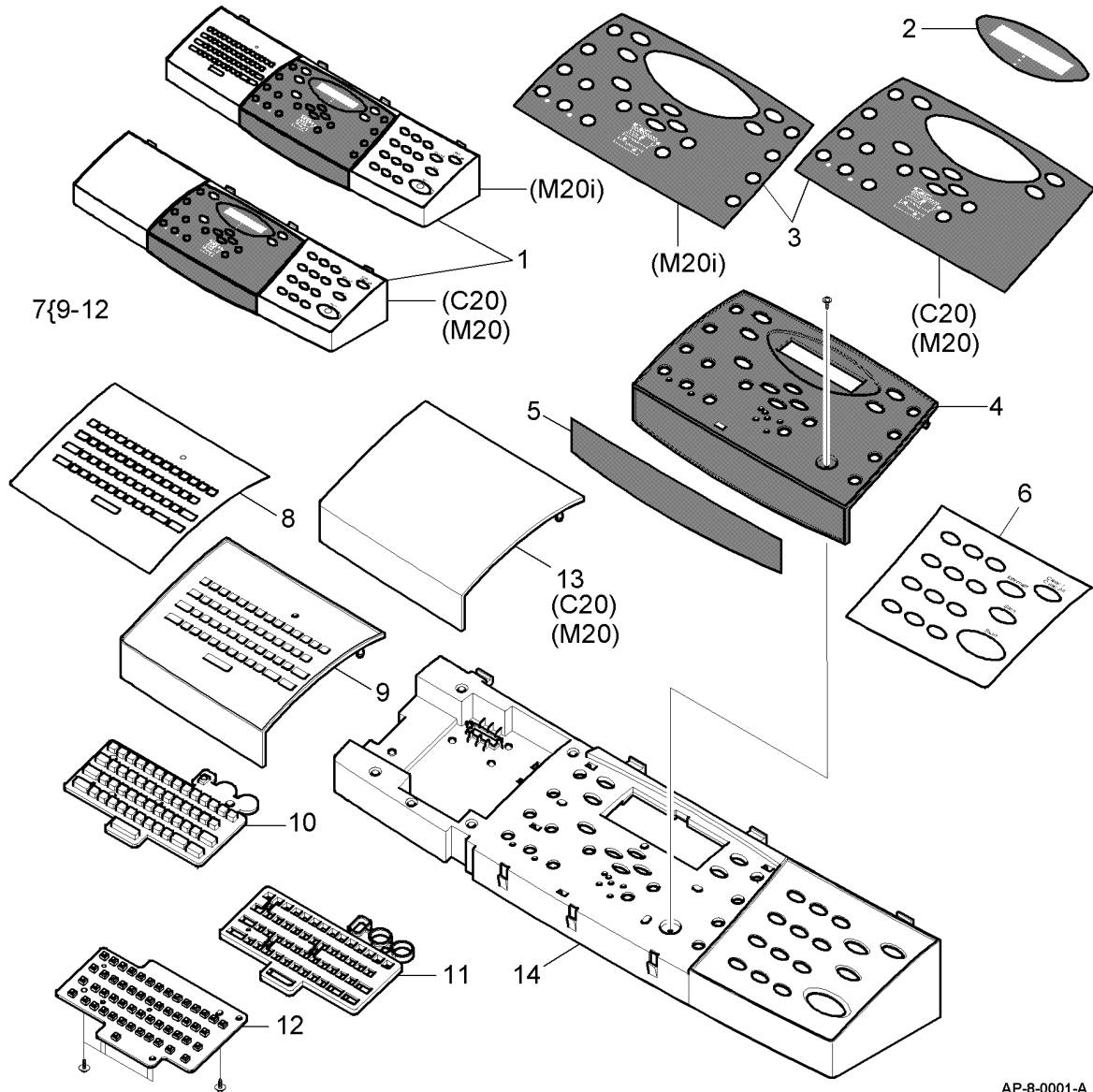
NOTE: If necessary, refer to GP 20 for the acronym list and cross reference lists of more commonly recognised part names.



AP-8-0040-B

PL 2.10 OPE Assembly (1 of 2) (M20F)

Item	Part	Description
1	-	ELA HOU OPE Assembly (Not Spared) (REP 2.1)
2	-	Window LCD (Not Spared)
3	091N80194	Sheet Overlay Center (A) (C20, M20)
-	091N80201	Sheet Overlay Center (A) (French) (C20, M20)
-	091N80199	Sheet Overlay Center (A) (C20, M20) (Spanish)
-	091N80203	Sheet Overlay Center (A) (C20, M20) (Portuguese)
-	091N80193	Sheet Overlay Center (A) (M20i)
-	091N80200	Sheet Overlay Center (A) (French) (M20i)
-	091N80198	Sheet Overlay Center (A) (M20i) (Spanish)
-	091N80202	Sheet Overlay Center (A) (M20i) (Portuguese)
4	-	Panel OPE Front (Not Spared)
5	091N80196	Sheet Name Plate (C20)
-	091N80197	Sheet Name Plate (M20)
-	091N80195	Sheet Name Plate (M20i)
6	-	Sheet Numerical (USSG/XCL) (Not Spared)
7	002N02281	ELA HOU E-mail Option Unit
8	700N00096	Sheet E-mail
-	700N00097	Sheet E-mail (EU)
9	-	Cover E-mail (P/O PL 2.10 Item 7) (REP 2.1)
10	-	E-mail Keypad (P/O PL 2.10 Item 7) (REP 2.1)
11	-	Key Plate (P/O PL 2.10 Item 7) (REP 2.1)
12	-	PBA SUB E-mail (P/O PL 2.10 Item 7) (REP 2.1)
13	002N02283	Cover Dummy E-mail (C20, M20)
14	-	Cover M OPE (REF: PL 2.11 Item 1)



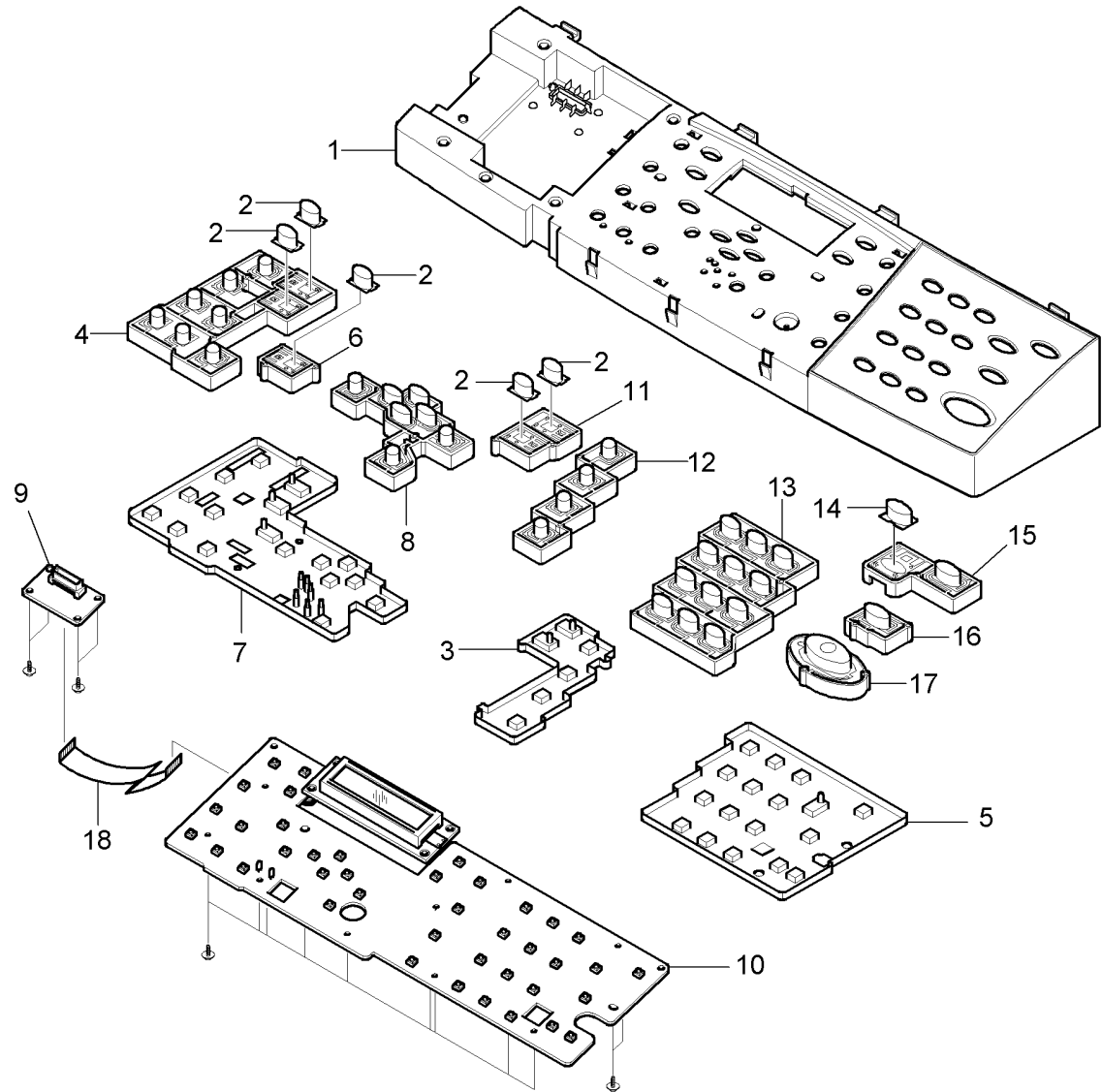
NOTE: If necessary, refer to GP 20 for the acronym list and cross reference lists of more commonly recognised part names.

AP-8-0001-A

PL 2.11 OPE Assembly (2 of 2) (M20F)

Item	Part	Description
1	002N02282	Cover M OPE
2	018N00193	Indicator (REP 2.1)
3	029N00355	Rubber Scroll (A) (REP 2.1)
4	029N00345	Key M Copy (REP 2.1)
5	029N00356	Rubber Numerical (REP 2.1)
6	029N00346	Key M E-mail (REP 2.1)
7	029N00354	Rubber Copy (A) (REP 2.1)
8	029N00347	Key M Navigator (REP 2.1)
9	140N63172	PBA SUB - OPE Joint (W/TAG 050) (REP 2.1)
-	140N62866	PBA SUB - OPE Joint (W/O TAG 050) (REP 2.1)
10	140N63171	PBA SUB - OPE (W/TAG 050) (REP 2.1)
-	140N62865	PBA SUB - OPE (W/O TAG 050) (REP 2.1)
11	029N00348	Key M Job Status (REP 2.1)
12	029N00349	Key M Manual (REP 2.1)
13	029N00350	Key M Numerical (REP 2.1)
14	018N00194	Indicator M Job Interrupt (REP 2.1)
15	029N00351	Key M Job Interrupt (REP 2.1)
16	029N00352	Key M Stop (REP 2.1)
17	029N00353	Key M Start (REP 2.1)
18	-	CBF Signal - OPE FFC (Not Spared)

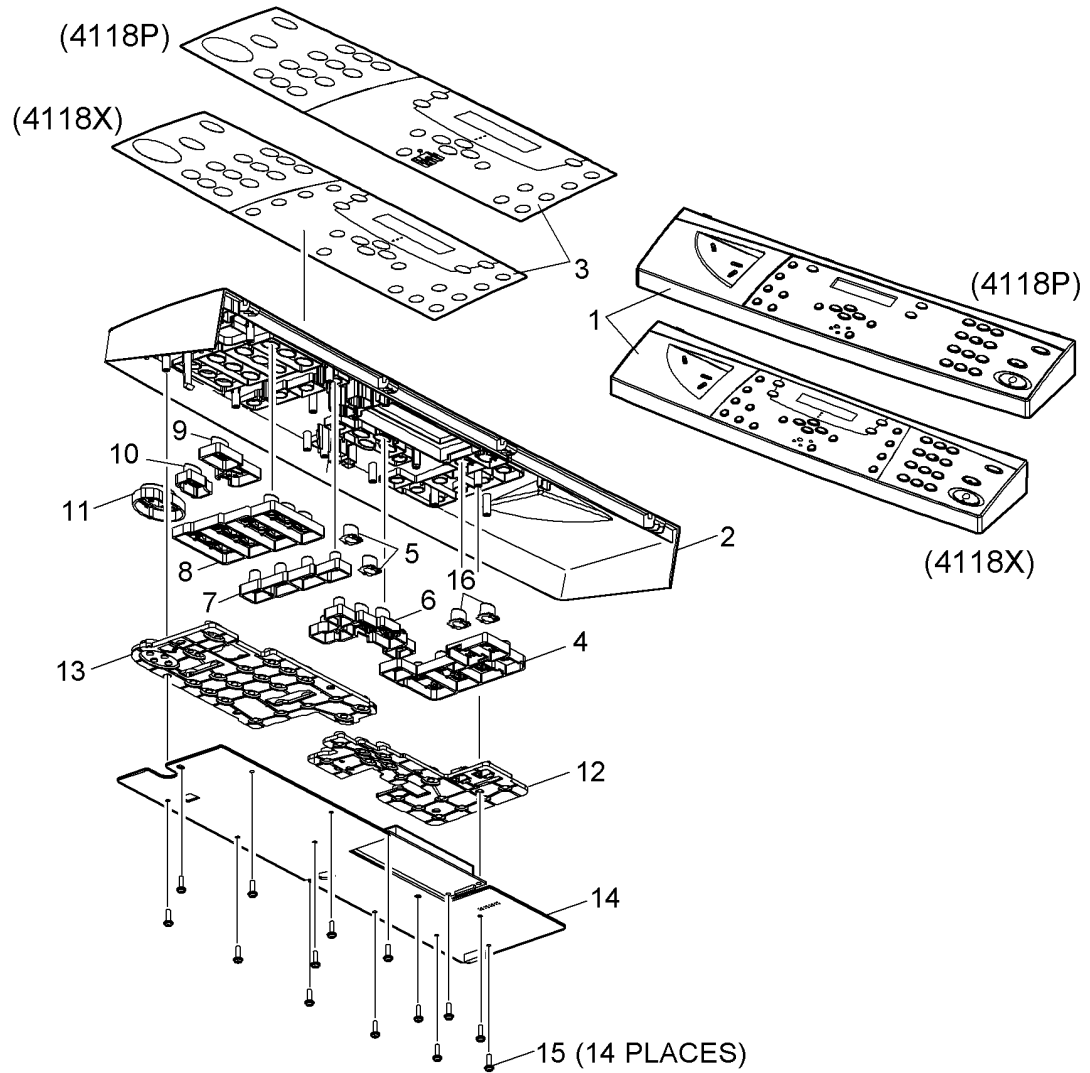
NOTE: If necessary, refer to GP 20 for the acronym list and cross reference lists of more commonly recognised part names.



AP-8-0002-A

PL 2.15 OPE Assembly (4118)

Item	Part	Description
1	002N02593	ELA HOU - OPE Assembly (4118P) (REP 2.2)
-	002N02594	ELA HOU - OPE Assembly (4118X) (REP 2.2)
2	-	Cover - M_OPE (P/O PL 2.15 Item 1)
3	002N02515	Sheet - Overlay (English) (4118P)
-	002N02517	Sheet - Overlay (French) (4118P)
-	002N02516	Sheet - Overlay (Spanish) (4118P)
-	002N02518	Sheet - Overlay (Brazilian/ Portuguese) (4118P)
-	002N02519	Sheet - Overlay (English) (4118X)
-	002N02521	Sheet - Overlay (French) (4118X)
-	002N02520	Sheet - Overlay (Spanish) (4118X)
-	002N02522	Sheet - Overlay (Brazilian/ Portuguese) (4118X)
4	-	Key - M - Copy (P/O PL 2.15 Item 1) (4118P) (REP 2.2)
-	003N01024	Key - M - Copy (P/O PL 2.15 Item 1) (4118X) (REP 2.2)
5	-	Indicator _M_ Copy (P/O PL 2.15 Item 1) (REP 2.2)
6	-	Key - M - Navigator (P/O PL 2.15 Item 1) (REP 2.2)
7	-	Key - M - Manual (P/O PL 2.15 Item 1) (4118X) (REP 2.2)
8	-	Key - M - Numerical (P/O PL 2.15 Item 1) (REP 2.2)
9	-	Key - M - Job - Interrupt (P/O PL 2.15 Item 1) (REP 2.2)
10	-	Key - M - Stop (P/O PL 2.15 Item 1) (REP 2.2)
11	-	Key - M - Start (P/O PL 2.15 Item 1) (REP 2.2)
12	-	Rubber - Copy (P/O PL 2.15 Item 1) (REP 2.2)
13	-	Rubber - Numerical (P/O PL 2.15 Item 1) (REP 2.2)
14	-	PBA SUB - OPE (P/O PL 2.15 Item 1) (4118P) (REP 2.2)
-	-	PBA SUB - OPE (P/O PL 2.15 Item 1) (4118X) (REP 2.2)
15	-	Screw - Taptite (P/O PL 2.15 Item 1)
16	-	Indicator - M - Copy (P/O PL 2.15 Item 1)

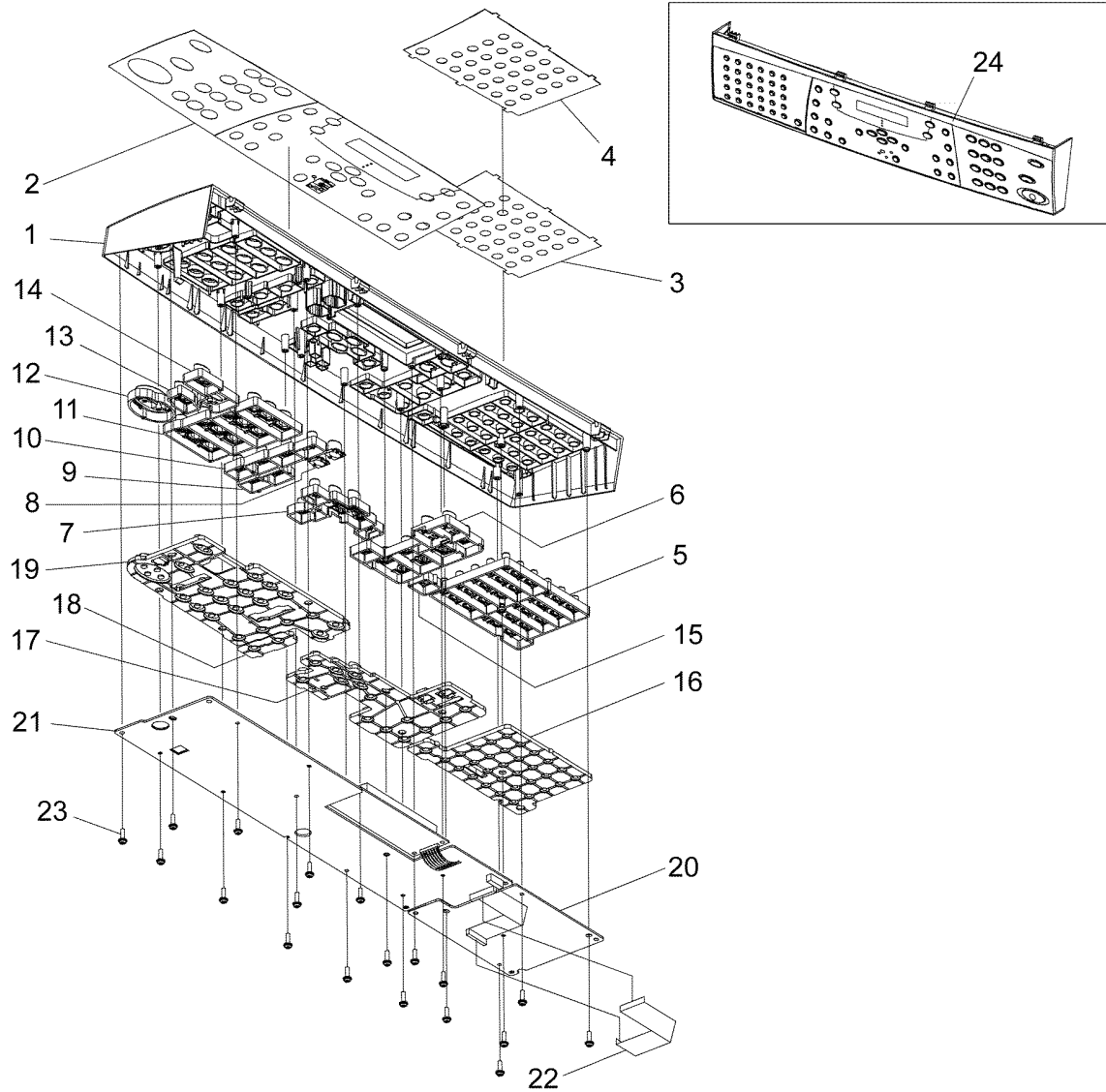


AP-8-0033-A

NOTE: If necessary, refer to GP 20 for the acronym list and cross reference lists of more commonly recognised part names.

PL 2.18 OPE Assembly (2218)

Item	Part	Description
1	-	Cover - OPE (P/O PL 2.18 Item 24)
2	091N80258	Sheet - Overlay (English)
-	091N80259	Sheet - Overlay (French)
3	-	Label - One Touch (P/O PL 2.18 Item 24)
4	091N80265	Sheet - One Touch
5	-	Key - One touch (P/O PL 2.18 Item 24) (REP 2.3)
6	003N01024	Key - M copy (P/O PL 2.18 Item 24) (REP 2.3)
7	-	Key - M - Navigator (P/O PL 2.18 Item 24) (REP 2.3)
8	-	Indicator - M - Copy (P/O PL 2.18 Item 24) (REP 2.3)
9	-	Key - Report (P/O PL 2.18 Item 24) (REP 2.3)
10	-	Key - M - Manual (P/O PL 2.18 Item 24) (REP 2.3)
11	-	Key - M - Numerical (P/O PL 2.18 Item 24) (REP 2.3)
12	-	Key - M - Start (P/O PL 2.18 Item 24) (REP 2.3)
13	-	Key - M - Stop (P/O PL 2.18 Item 24) (REP 2.3)
14	-	Key - M - Job Interrupt (P/O PL 2.18 Item 24) (REP 2.3)
15	-	Key - Shift (P/O PL 2.18 Item 24) (REP 2.3)
16	-	Rubber - One Touch (P/O PL 2.18 Item 24) (REP 2.3)
17	-	Rubber - Copy (P/O PL 2.18 Item 24) (REP 2.3)
18	-	Rubber - Report (P/O PL 2.18 Item 24) (REP 2.3)
19	-	Rubber - Numerical (P/O PL 2.18 Item 24) (REP 2.3)
20	140N63257	PBA Sub - One Touch (REP 2.3)
21	-	PBA SUB - OPE (P/O PL 2.18 Item 24) (REP 2.3)
22	-	Harness - Qwerty FFC (P/O PL 2.18 Item 24)
23	-	Screw - Taptite (P/O PL 2.18 Item 24)
24	002N02687	ELA HOU - OPE Assembly (REP 2.3)



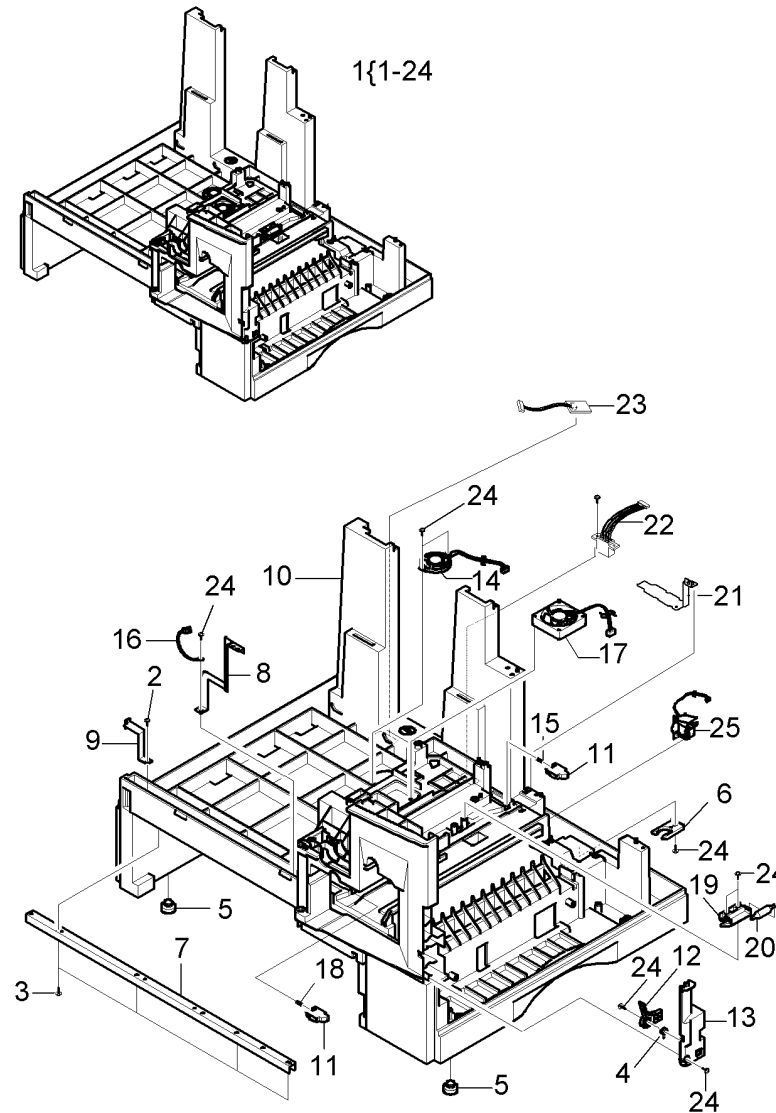
AP-8-0039-A

NOTE: If necessary, refer to GP 20 for the acronym list and cross reference lists of more commonly recognised part names.

PL 4.10 Base Frame Assembly

Item	Part	Description
1	001N00494	ELA HOU - Base Frame
2	-	Screw - Taptite (Not Spared)
3	-	Screw - Taptite (Not Spared)
4	009N01467	Spring ETC - Torsion
5	017N00212	Foot
6	-	Holder Catch CST MC2 (Not Spared)
7	-	IPR - Channel Base Frame (Not Spared)
8	015N00440	IPR - Ground Plate A (OPC) (M20F)
9	015N00441	IPR - Ground Plate B (Base)
10	-	PMO - Base Frame (Not Spared)
11	-	PMO - Bracket Push DEV (Not Spared)
12	030N00606	PMO - Bracket Side Open
13	-	PMO - Cover Front Dummy (Not Spared)
14	130N01213	ELA M/M - AUD Speaker
15	-	Spring ETC - DEVE Rear (Not Spared)
16	-	CBF Harness - OPC GND (Not Spared) (M20F)
17	127N07300	Fan - DC (Cardinal) (M20F)
-	127N07516	Fan - DC (Cardinal) (4118, 2218)
18	-	Spring ETC - DEV Front (Not Spared)
19	-	Holder - M Roller (Not Spared)
20	-	Shaft DEV (Not Spared)
21	-	IPR - Ground Plate SCF (Not Spared)
22	152N01991	CBF - Harness-SCF
23	140N62870	PBA Air Temperature
24	-	Screw - Taptite (Not Spared)
25	022N01486	Solenoid - Pickup

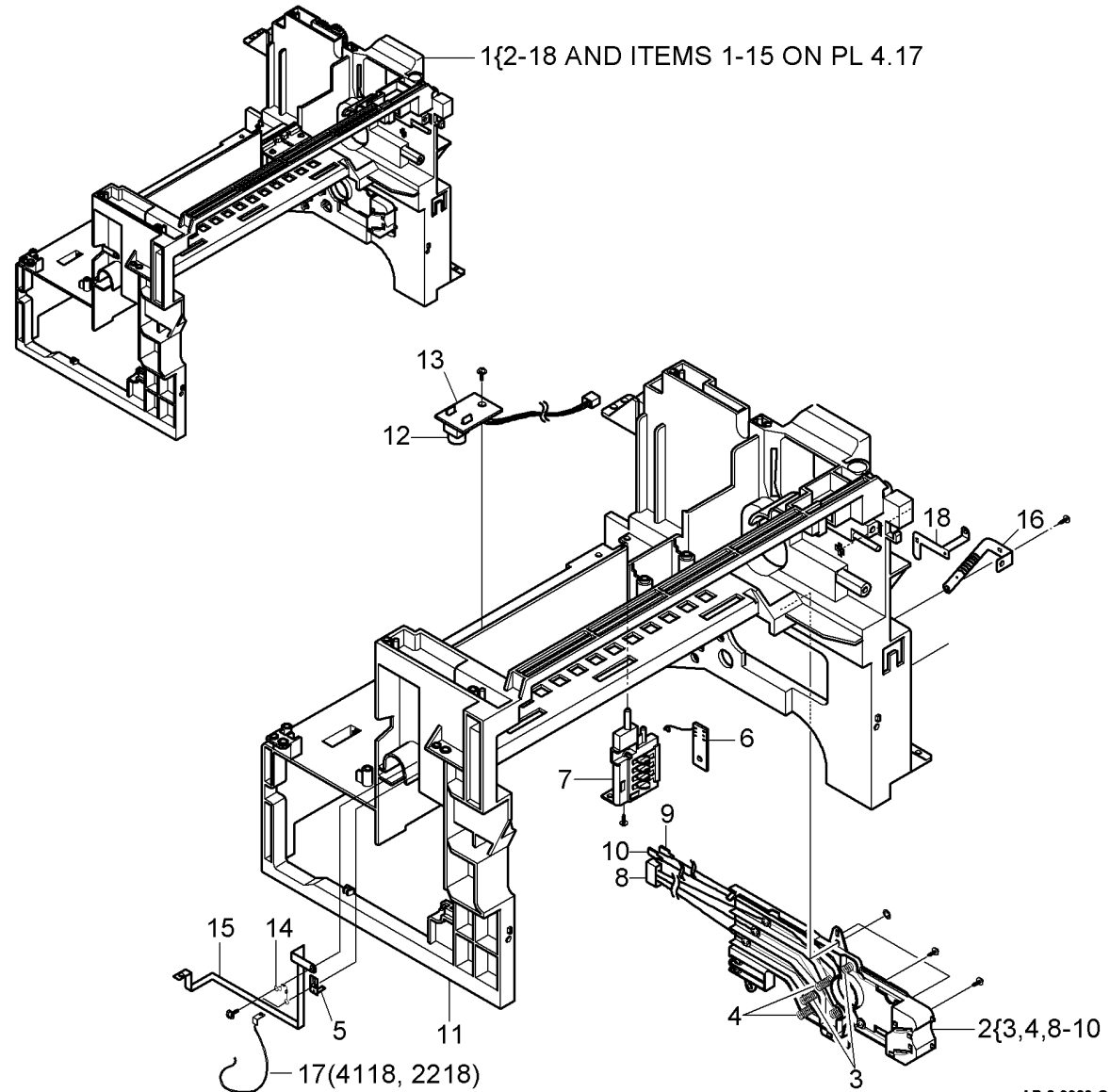
NOTE: If necessary, refer to GP 20 for the acronym list and cross reference lists of more commonly recognised part names.



AP-8-0014-A

PL 4.15 Main Frame Assembly (1 of 2)

Item	Part	Description
1	002N02587	ELA HOU - Frame Main Assembly (M20F) (W/TAG 050) (REP 4.4)
-	002N02279	ELA HOU - Frame Main Assembly (M20F) (W/O TAG 050) (REP 4.4)
-	001N00486	ELA HOU - Frame Main Assembly (4118) (220V) (REP 4.4)
-	001N00485	ELA HOU - Frame Main Assembly (110V) (4118, 2218) (REP 4.4)
2	-	PMO - Terminal MC2 assembly (P/O PL 4.15 Item 1)
3	-	IPR - Terminal Blade (P/O PL 4.15 Item 2)
4	-	IPR - Terminal Supply (P/O PL 4.15 Item 2)
5	-	IPR - Terminal GND OPC (P/O PL 4.15 Item 1)
6	140N63175	PBA SUB Terminal (M20F) (W/TAG 050)
-	140N62873	PBA SUB Terminal (M20F) (W/O TAG 050)
-	115N00869	PBA SUB Terminal (4118, 2218)
7	113N01307	Holder Terminal
8	152N11742	CBF - Harness - Blade + Supply + DEV (4118, 2218) (For M20F P/O PL 4.15 Item 2)
9	-	CBF - Harness - Main - THV Wire (P/O PL 4.15 Item 2)
10	-	CBF - Harness - Main - MHV Wire (P/O PL 4.15 Item 2)
11	-	PMO - Frame Main (P/O PL 4.15 Item 1)
12	-	PMO - Lens Toner Sensor (P/O PL 4.15 Item 1)
13	130N01208	PBA SUB - Toner RX (M20F)
-	140N63200	PBA SUB - Toner RX (4118, 2218)
14	-	CBF - Harness (P/O PL 4.15 Item 1) (M20F)
15	-	IPR - GND OPC Base (P/O PL 4.15 Item 1) (M20F)
16	-	IPR - Ground Fuser MC2 (P/O PL 4.15 Item 1)
17	-	Harness OPC GND (4118, 2218) (P/O PL 4.15 Item 1)
18	-	IPR - GND Terminal (P/O PL 4.15 Item 1)



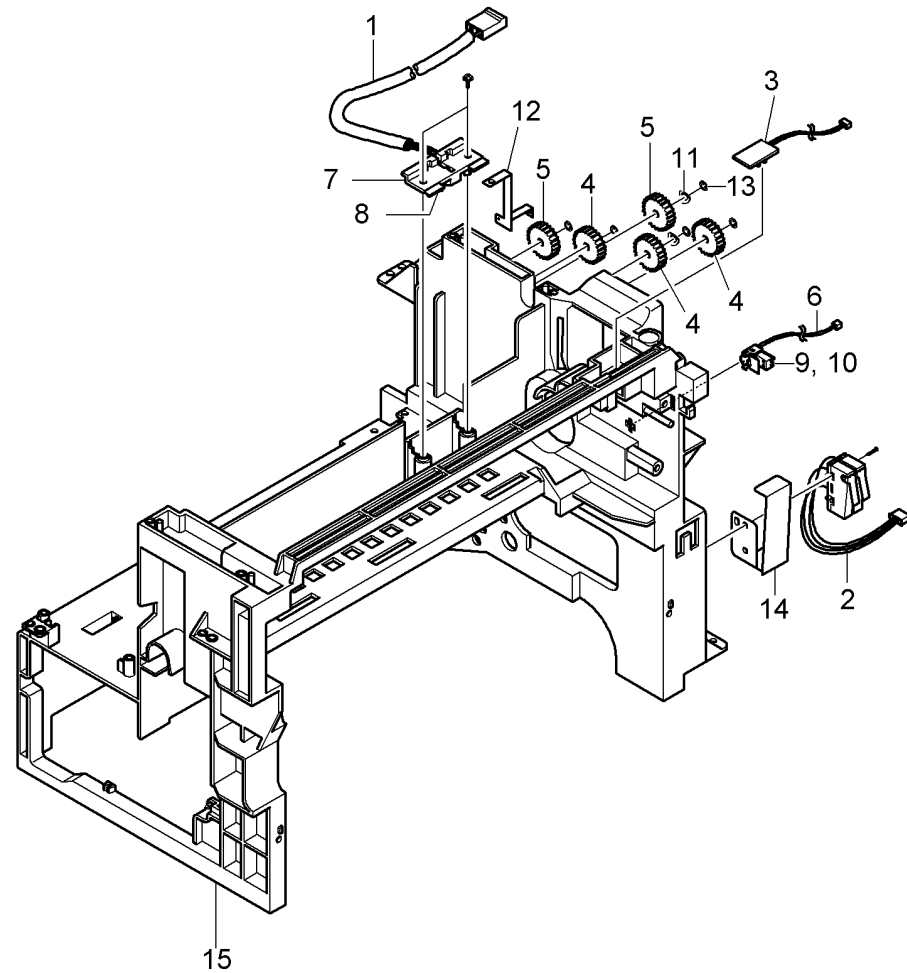
AP-8-0023-C

NOTE: If necessary, refer to GP 20 for the acronym list and cross reference lists of more commonly recognised part names.

PL 4.17 Main Frame Assembly (2 of 2)

Item	Part	Description
1	152N11556	CBF Harness - AC Wire (M20F)
-	117N01751	CBF Harness - AC Wire (XE) (4118)
-	117N01750	CBF Harness - AC Wire (XCL) (USSG) (4118)
2	110N01041	CBF - Harness; Switch - Micro (M20F)
-	152N11724	CBF - Harness; Switch - Micro (4118, 2218)
3	130N01205	PBA SUB - Exit Sensor (M20F)
-	140N63199	PBA SUB - Exit Sensor (4118, 2218)
4	-	Gear - Exit / U, ID (P/O PL 4.15 Item 1)
5	-	Gear - Exit, Idle (Z17) (P/O PL 4.15 Item 1)
6	011N00463	CBF - Harness Thermistor Joint
7	-	PMO - Housing Terminal (P/O PL 4.15 Item 1)
8	-	IPR - Terminal Fuser (P/O PL 4.15 Item 1)
9	113N00364	PMO - CAP Connector L
10	113N00365	PMO - CAP Connector U
11	-	Spring - Clutch (P/O PL 4.15 Item 1)
12	-	IPR - GND Exit (P/O PL 4.15 Item 1)
13	-	Ring - CS (P/O PL 4.15 Item 1)
14	-	IPR - Guard C/O S/W (P/O PL 4.15 Item 1)
15	-	PMO - Frame Main (P/O PL 4.15 Item 1)

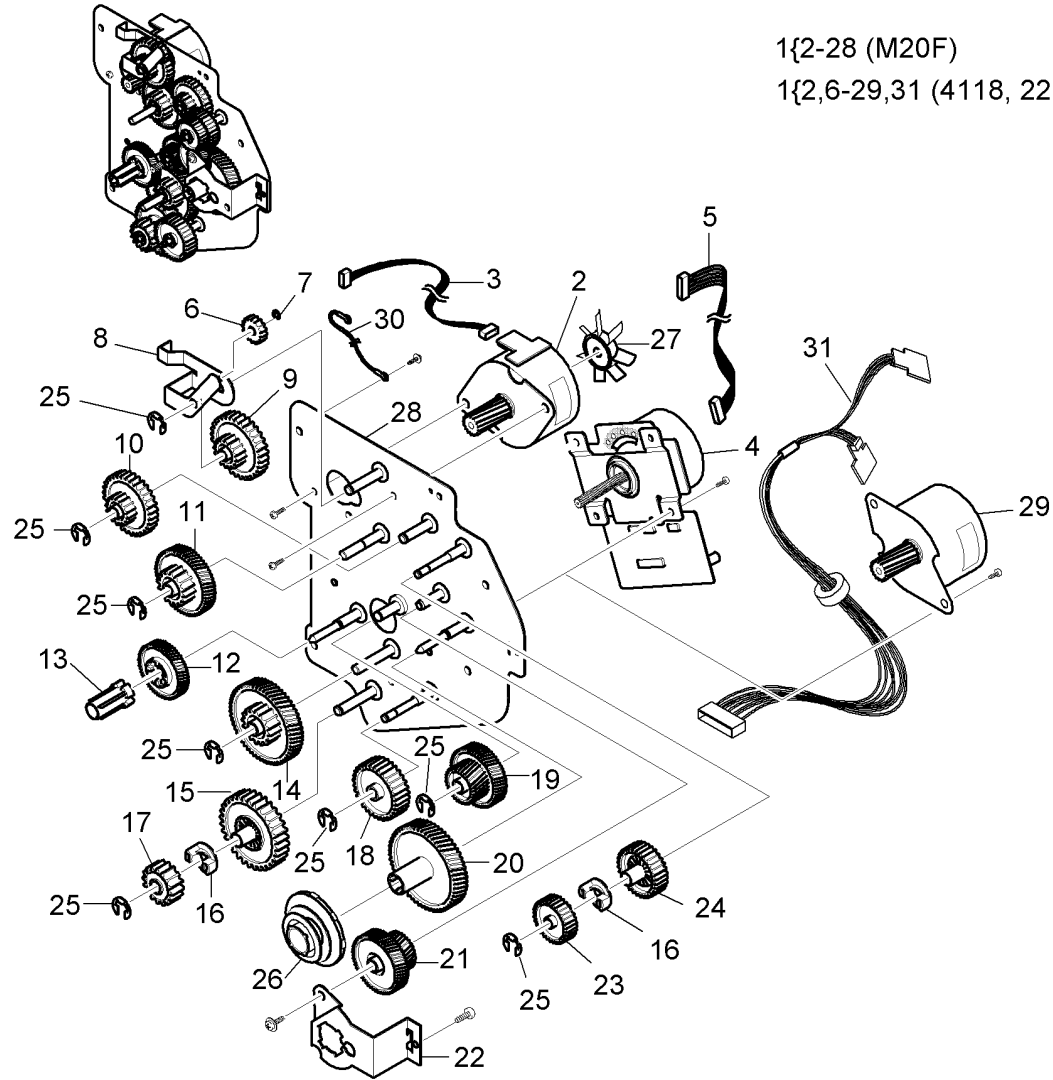
NOTE: If necessary, refer to GP 20 for the acronym list and cross reference lists of more commonly recognised part names.



AP-8-0036-A

PL 4.20 Drives Assembly

Item	Part	Description
1	002N02289	ELA HOU - Drive Assembly (M20F) (REP 4.1)
-	007N01539	ELA HOU - Drive Assembly (4118, 2218) (REP 4.1)
2	127N07298	Motor Step - MCK2 (Main)
3	152N11554	CBF Harness - Fuser Motor (M20F)
4	127N07299	Motor DC - MCK2 (BLDC) (M20F)
5	152N11555	CBF Harness - Feed Motor (M20F)
6	-	Gear - Exit/U (P/O PL 4.20 Item 1)
7	-	Ring - C (P/O PL 4.20 Item 1)
8	-	IPR - Link Duplex (P/O PL 4.20 Item 1)
9	-	Gear - Swing DRV (34/17) (P/O PL 4.20 Item 1)
10	-	Gear - 31/19 (P/O PL 4.20 Item 1)
11	-	Gear - 71/23 (P/O PL 4.20 Item 1)
12	-	Gear - DEV DRV (P/O PL 4.20 Item 1)
13	-	PMO - DEV/Coupling (P/O PL 4.20 Item 1)
14	-	Gear - 86/23 (P/O PL 4.20 Item 1)
15	-	Gear - RDCN Feed Inner (P/O PL 4.20 Item 1)
16	-	Gear - Hub Clutch (P/O PL 4.20 Item 1)
17	-	Gear - RDCN Feed Outer (P/O PL 4.20 Item 1)
18	-	Gear - Feed DRV (P/O PL 4.20 Item 1)
19	-	Gear - OPC 53/37 (P/O PL 4.20 Item 1)
20	-	Gear - OPC DRV (P/O PL 4.20 Item 1)
21	-	Gear - OPC (P/O PL 4.20 Item 1)
22	-	IPR - BRKT - Break (P/O PL 4.20 Item 1)
23	-	Gear - Fuser DRV Outer (P/O PL 4.20 Item 1)
24	-	Gear - Fuser DRV Inner (P/O PL 4.20 Item 1)
25	-	Ring - E (REF: PL 31.10 Item 6)
26	-	MEC - Brake Gear (P/O PL 4.20 Item 1)
27	120N00499	Fan
28	-	IPR - BRKT Motor (P/O PL 4.20 Item 1)
29	127N07517	Motor Step (BLDC) (4118, 2218) (REP 4.1)
30	-	CBF Harness - LIU GND (Not Spared)
31	152N11723	Motor Harness (4118, 2218)



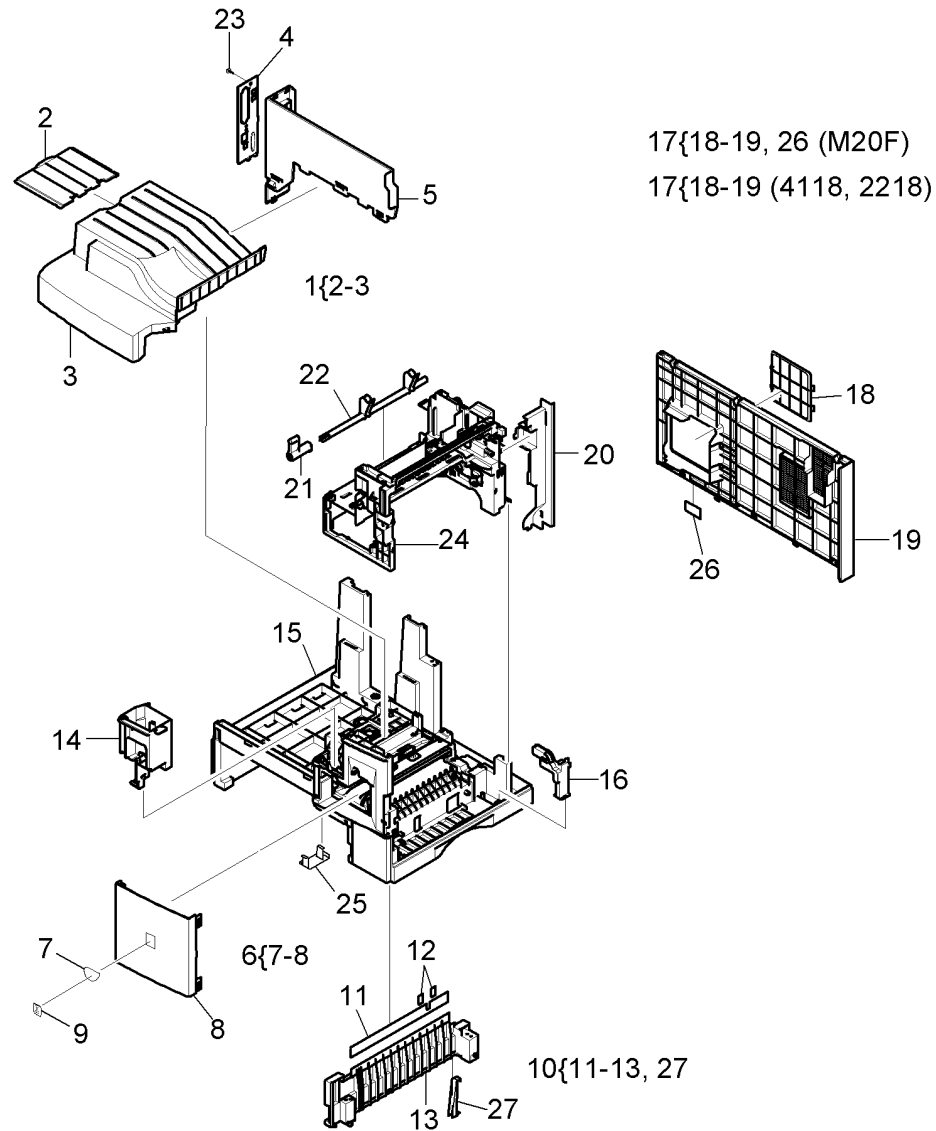
1{2-28 (M20F)
1{2,6-29,31 (4118, 2218)

NOTE: If necessary, refer to GP 20 for the acronym list and cross reference lists of more commonly recognised part names.

AP-8-0013-C

PL 4.25 Covers

Item	Part	Description
1	002N02107	MEA Unit - Cover PA Exit Assembly
2	050N00392	PMO - Tray Extension MP NE
3	-	PMO - Cover Paper Exit (P/O PL 4.25 Item 1) (REP 10.3)
4	-	PMO - Connect Paper MFP (Not Spared)
5	002N02009	PMO Cover Exit Rear (REP 4.3)
6	002N02161	MEA Unit - Cover Front Assembly
7	-	Plate - Badge (P/O PL 4.25 Item 6)
8	-	Cover - M - Front (P/O PL 4.25 Item 6)
9	091N00699	IPR - Badge
10	001N00384	MEA Unit Guide CST PA Assembly
11	-	PMO - Sheet Guide Paper (P/O PL 4.25 Item 10)
12	-	Mylar Strip (P/O PL 4.25 Item 10)
13	-	PMO - Guide Cassette Rail (P/O PL 4.25 Item 10)
14	001N00451	PMO - Dummy Base Frame (M20F)
-	001N00482	PMO - Dummy Base Frame (4118, 2218)
15	-	ELA HOU - Base Frame Assembly (Not Spared)
16	-	PMO - Cover Feed (Not Spared) (REP 8.4)
17	002N02280	MEA Unit - Rear Cover (M20F) (REP 4.2)
-	002N02686	MEA Unit - Rear Cover (4118, 2218) (REP 4.2)
18	-	Cover Rear Dummy (P/O PL 4.25 Item 17)
19	-	Cover - Main - Rear (P/O PL 4.25 Item 17)
20	002N02017	Cover Bracket Motor
21	011N00465	PMO - Lever Jam Remove
22	011N00464	PMO - CAM Jam Remove
23	-	Special Screw (Panel MFP) (Not Spared)
24	-	ELA HOU - Frame Main Assembly (REF: PL 4.15 Item 1)
25	038N00371	PMO - Guide Paper Out
26	-	Label - Guide DIMM (P/O PL 4.25 Item 17)
27	-	IPR - Guide CST Paper (P/O PL 4.25 Item 10)

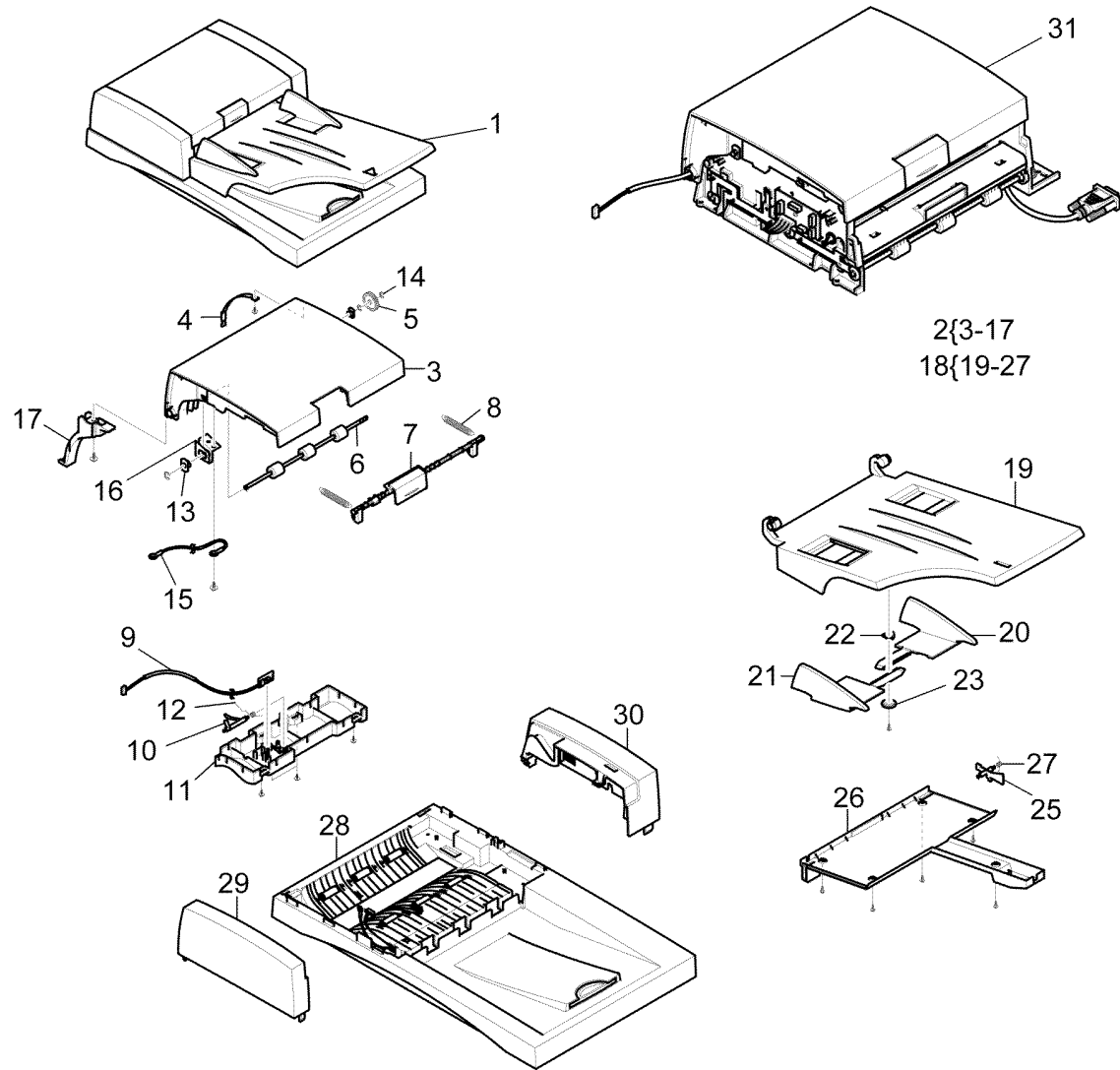


NOTE: If necessary, refer to GP 20 for the acronym list and cross reference lists of more commonly recognised part names.

AP-8-0015-C

PL 5.10 DADF Assembly (1 of 5) (M20F, 2218)

Item	Part	Description
1	002N02275	ELA HOU - DADF (REP 5.1) (ADJ 5.1)
2	002N02288	MEA Unit - Cover Open (REP 5.1)
3	-	Cover - M Open (P/O PL 5.10 Item 2)
4	-	PMO Stopper Exit (P/O PL 5.10 Item 2)
5	-	Gear - DADF 24 (A) (P/O PL 5.10 Item 2)
6	-	Roller - REGI (P/O PL 5.10 Item 2)
7	-	PMO - Lever Open (P/O PL 5.10 Item 2)
8	-	Spring ETC - Knockup, MP (P/O PL 5.10 Item 2)
9	140N62869	PBA SUB - REGI
10	-	PMO - Actuator REGI (P/O PL 5.10 Item 2)
11	-	Cover - M Sensor (P/O PL 5.10 Item 2)
12	-	Spring ETC - Torsion DOC (P/O PL 5.10 Item 2)
13	-	Bush - 6D (P/O PL 5.10 Item 2)
14	-	Ring - E (Not Spared)
15	-	CBF Harness - LIU GND (P/O PL 5.10 Item 2)
16	-	Ground - P Duplex (P/O PL 5.10 Item 2)
17	-	Cover - M - Harness (P/O PL 5.10 Item 2)
18	050N00443	MEA Unit - TX Stacker (REP 5.1)
19	-	PMO - TX Stacker (P/O PL 5.10 Item 18)
20	-	Guide - M DOC Left (P/O PL 5.10 Item 18)
21	-	Guide - M DOC Right (P/O PL 5.10 Item 18)
22	-	IPR - Washer Spring CU (P/O PL 5.10 Item 18)
23	-	PMO - Gear Pinion (P/O PL 5.10 Item 18)
24	-	Not used
25	120N00438	PMO - Actuator Length
26	-	PMO - TX Stacker Lower (P/O PL 5.10 Item 18)
27	-	Spring ETC - Torsion DOC (CC-F) (P/O PL 5.10 Item 18)
28	-	ELA Unit - Platen Cover (REF: PL 5.14 Item 1)
29	002N02286	Front Cover
30	002N02287	Rear Cover
31	002N02291	ELA HOU - DADF SUB (P/O PL 5.10 Item 1)



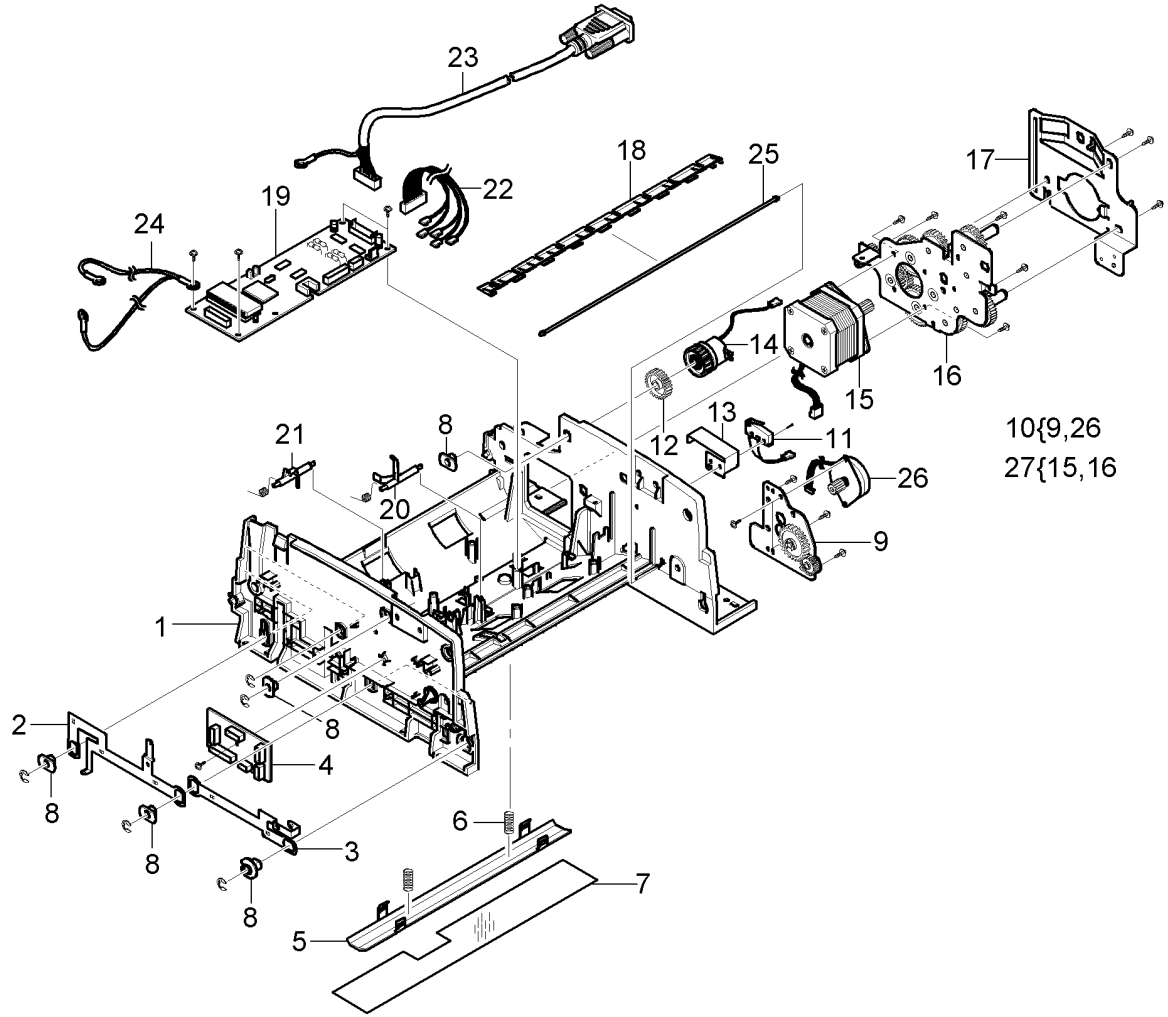
2{3-17
18{19-27

AP-8-0016-B

NOTE: If necessary, refer to GP 20 for the acronym list and cross reference lists of more commonly recognised part names.

PL 5.11 DADF Assembly (2 of 5)
(M20F, 2218)

Item	Part	Description
1	-	Guide - M SCAN (P/O PL 5.10 Item 31)
2	-	Ground - P SCAN Roller (P/O PL 5.10 Item 31)
3	-	Ground - P Exit Roller (P/O PL 5.10 Item 31)
4	140N63152	PBA SUB - Sensor IF
5	-	IPR - BRKT White Bar (P/O PL 5.10 Item 31)
6	-	Spring ETC - White Bar (P/O PL 5.10 Item 31)
7	-	Sheet - Guide Paper (P/O PL 5.10 Item 31)
8	-	Bush - 6D (P/O PL 5.10 Item 31)
9	-	Bracket - P - Duplex Motor (P/O PL 5.11 Item 10) (REP 5.1)
10	-	ELA HOU - Duplex Motor (P/O PL 5.10 Item 31) (REP 5.1)
11	152N11715	ELA HOU - Cover Open Switch
12	-	Gear - DADF 24 (A) (P/O PL 5.10 Item 31)
13	-	IPR - Guard C/O S/W (P/O PL 5.10 Item 31)
14	-	MEC - Clutch Small (Registration) (P/O PL 5.10 Item 31)
15	-	Motor Step - DADF (P/O PL 5.11 Item 27)
16	-	Bracket - P - DADF Motor (P/O PL 5.11 Item 27) (REP 5.1)
17	-	Cover - P Gear (P/O PL 5.10 Item 31)
18	-	Sheet - Guide Paper (P/O PL 5.10 Item 31)
19	140N63180	PBA SUB - DADF (W/TAG 050) (REP 5.3)
-	140N62962	PBA SUB - DADF (W/O TAG 050) (REP 5.3)
20	-	PMO - Actuator Duplex (P/O PL 5.10 Item 31)
21	-	PMO - Actuator Scan (P/O PL 5.10 Item 31)
22	-	CBF Harness - Clutch IF (P/O PL 5.10 Item 31)
23	-	CBF Harness - DSUB (P/O PL 5.10 Item 31)
24	-	CBF Harness DADF GND (P/O PL 5.10 Item 31)
25	-	Shaft Gate Duplex (P/O PL 5.10 Item 31)
26	-	Motor Step - Duplex (P/O PL 5.11 Item 10)
27	-	ELA HOU - DADF Motor (P/O PL 5.10 Item 31) (REP 5.1)



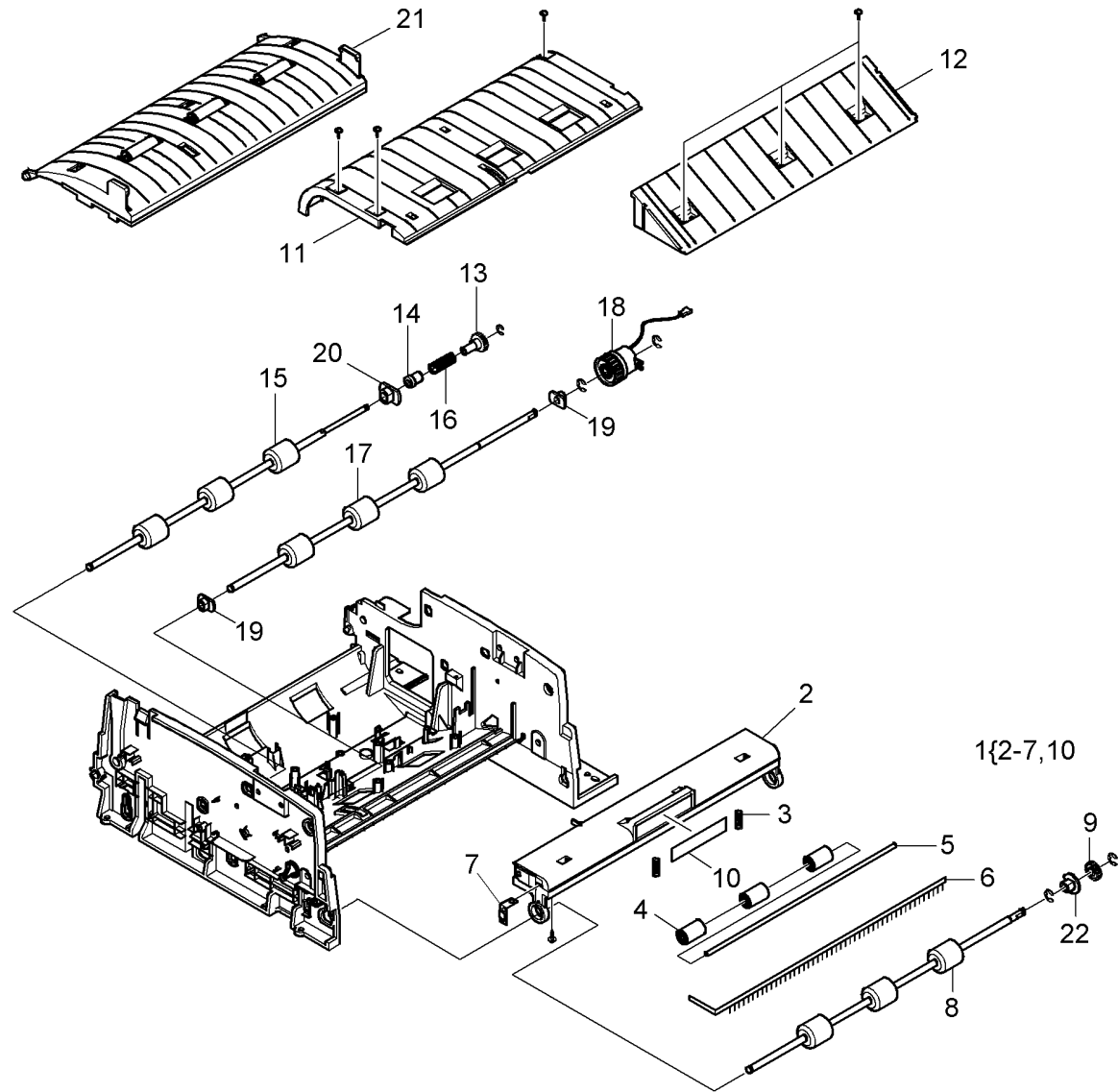
10{9,26
 27{15,16

AP-8-0017-A

NOTE: If necessary, refer to GP 20 for the acronym list and cross reference lists of more commonly recognised part names.

PL 5.12 DADF Assembly (3 of 5) (M20F, 2218)

Item	Part	Description
1	-	MEA Unit - Cover Exit Assembly (P/O PL 5.10 Item 31)
2	-	Cover M Exit (P/O PL 5.12 Item 1)
3	-	Spring ETC - White BAR (P/O PL 5.12 Item 1)
4	-	PMO - Roller Idle Scan (P/O PL 5.12 Item 1)
5	-	Shaft - Exit Idle (P/O PL 5.12 Item 1)
6	-	MEC - Brush Antistatic (P/O PL 5.12 Item 1)
7	-	Ground - P - Exit Cover (P/O PL 5.12 Item 1)
8	-	Roller - Exit (P/O PL 5.10 Item 31)
9	-	Gear (P/O PL 5.10 Item 31)
10	-	Label - Cover - Exit (P/O PL 5.12 Item 1)
11	-	Guide - M Duplex Lower (P/O PL 5.10 Item 31) (REP 5.1)
12	-	Guide - M Duplex Inner (P/O PL 5.10 Item 31) (REP 5.1)
13	-	Gear - M Scan Roller (P/O PL 5.10 Item 31)
14	-	PMO - Bushing Holder (P/O PL 5.10 Item 31)
15	-	Roller - SCAN (P/O PL 5.10 Item 31)
16	-	Spring ETC Clutch (P/O PL 5.10 Item 31)
17	-	Roller - Duplex (P/O PL 5.10 Item 31)
18	-	MEC - Clutch Small (Duplex) (P/O PL 5.10 Item 31)
19	-	Bush - 6 D (P/O PL 5.10 Item 31)
20	-	Bush - 10 - D (P/O PL 5.10 Item 31)
21	-	MEA Unit Guide Duplex (P/O PL 5.10 Item 31) (REP 5.1)
22	-	Bush - 6D (L) (P/O PL 5.10 Item 31)



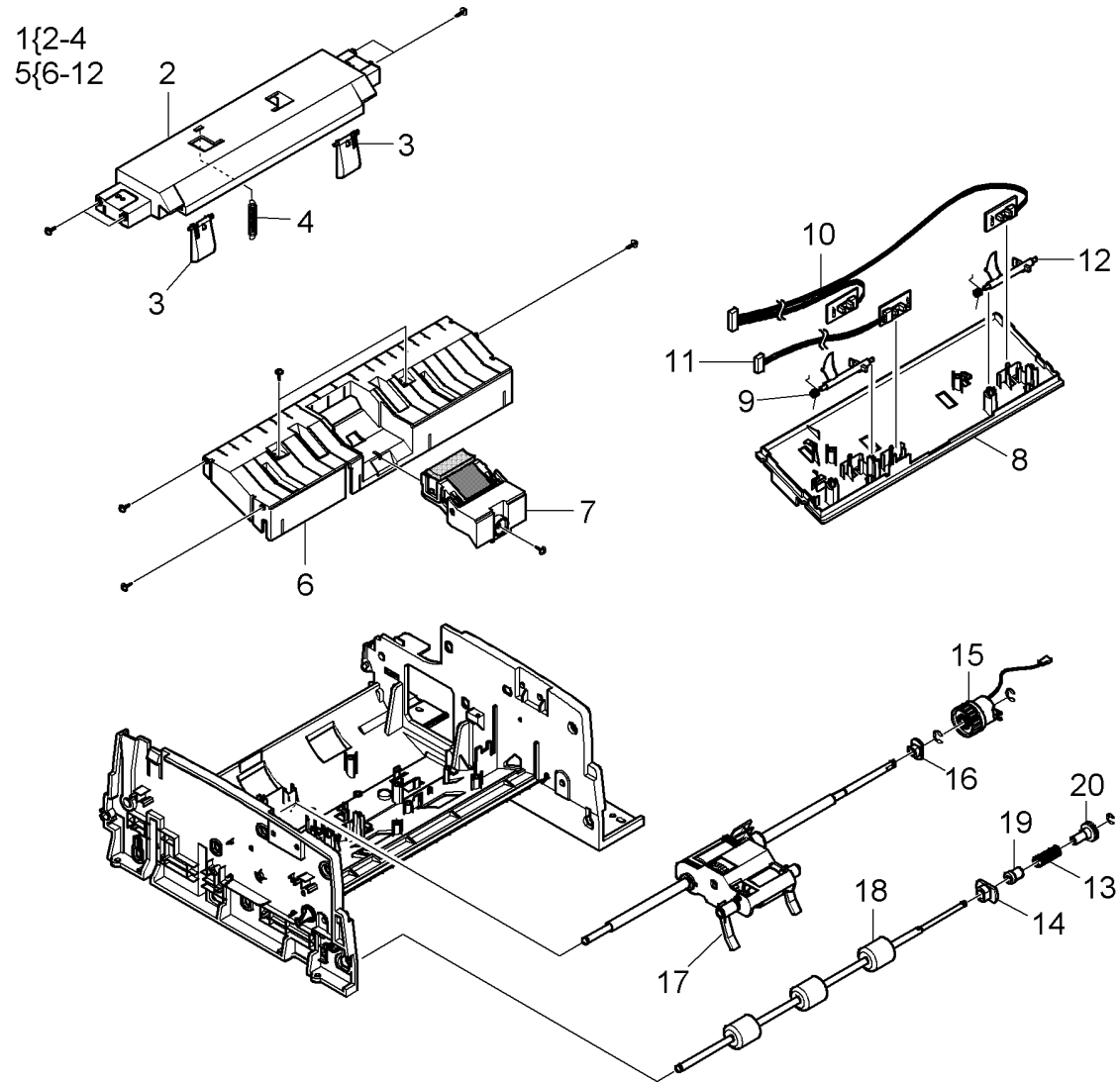
NOTE: If necessary, refer to GP 20 for the acronym list and cross reference lists of more commonly recognised part names.

AP-8-0018-A

PL 5.13 DADF Assembly (4 of 5) (M20F, 2218)

Item	Part	Description
1	-	MEA Unit Support Pickup Assembly (P/O PL 5.10 Item 31) (REP 5.1)
2	-	Pickup Support (P/O PL 5.13 Item 1)
3	-	Decurler (P/O PL 5.13 Item 1)
4	-	Spring (P/O PL 5.13 Item 1)
5	-	MEA Unit Guide Pickup Assembly (P/O PL 5.10 Item 31) (REP 5.1)
6	-	Guide - M Pickup Upper (P/O PL 5.13 Item 5)
7	019N00795	MEA Unit - Holder DADF Rubber
8	-	Guide - M Pickup Lower (P/O PL 5.13 Item 5)
9	-	Spring ETC - Torsion DOC (CC2 - F) (P/O PL 5.13 Item 5)
10	-	PBA SUB - DOC Width (P/O PL 5.13 Item 5)
11	140N63151	PBA SUB - Exit Open
12	-	PMO - Actuator DOC (P/O PL 5.13 Item 5)
13	-	Spring ETC - Clutch (P/O PL 5.10 Item 31)
14	-	Bush - 10 - D (P/O PL 5.10 Item 31)
15	-	MEC - Clutch Small (Feed) (P/O PL 5.10 Item 31) (REP 5.1)
16	-	Bush 6 D (P/O PL 5.10 Item 31)
17	130N01520	MEA Unit - Pickup (REP 5.1)
18	-	Roller Feed (P/O PL 5.10 Item 31)
19	-	PMO - Bushing Holder (P/O PL 5.10 Item 31)
20	-	Bush - M Feed Roller (P/O PL 5.10 Item 31)

NOTE: If necessary, refer to GP 20 for the acronym list and cross reference lists of more commonly recognised part names.

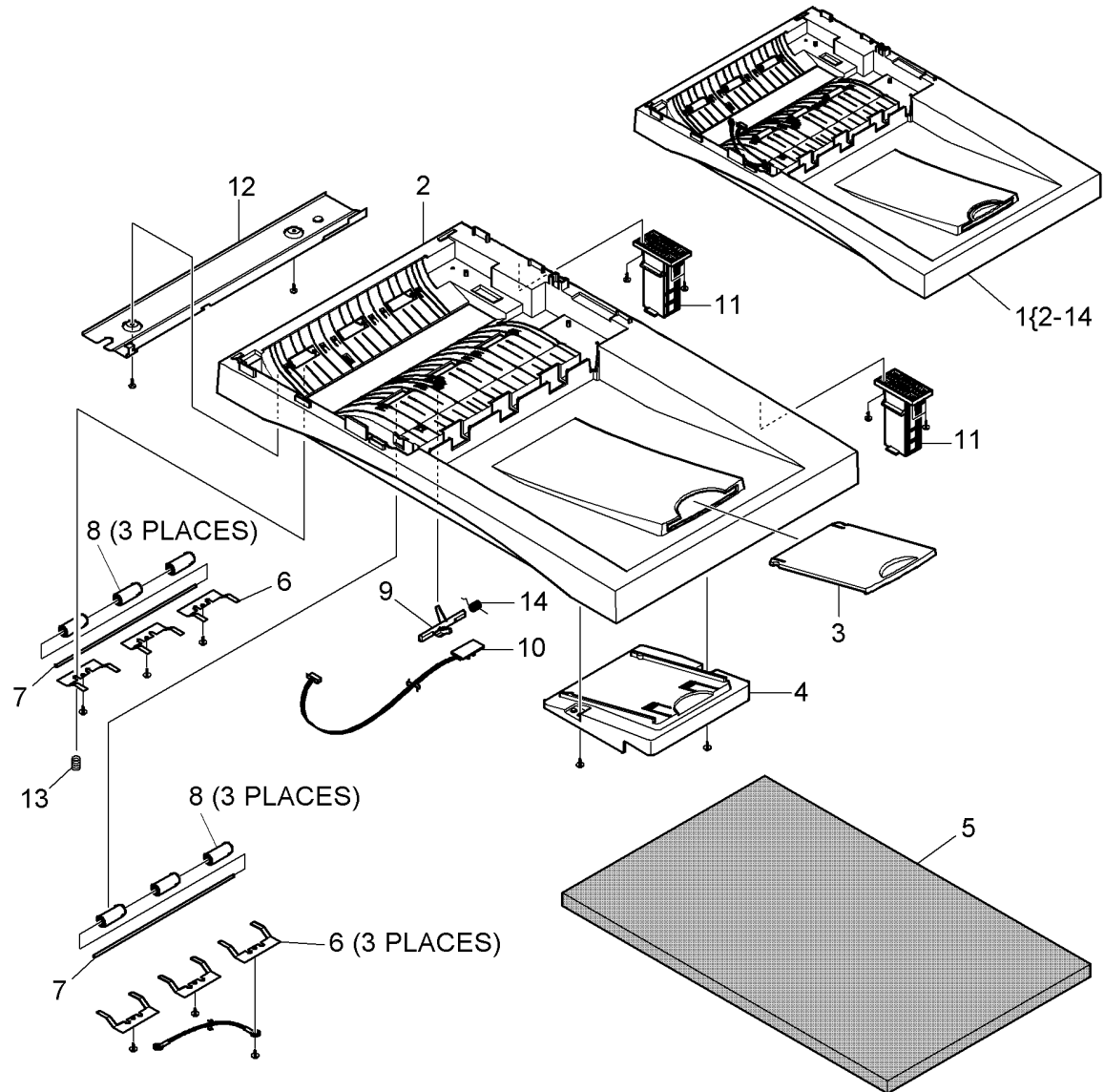


AP-8-0019-A

PL 5.14 DADF Assembly (5 of 5) (M20F, 2218)

Item	Part	Description
1	002N02285	ELA Unit - Platen Cover (REF: PL 5.10 Item 28)
2	-	PMO - Cover Platen (C) (P/O PL 5.14 Item 1)
3	-	PMO - Extension Platen (P/O PL 5.14 Item 1)
4	-	Guide - M Extension (P/O PL 5.14 Item 1)
5	025N00081	DADF Document Cushion
6	-	IPR - P Pinch (Scan) (P/O PL 5.14 Item 1)
7	006N01241	Shaft - Pinch
8	022N01511	PMO - Roll Pinch
9	130N01201	PMO - Actuator Gate
10	140N62868	PBA Sub - Gate
11	003N00967	MEA Unit - Hinge Assembly
12	-	Plate - P - Dummy Platen (P/O PL 5.14 Item 1)
13	-	Spring ETC - Charge (P/O PL 5.14 Item 1)
14	-	Spring ETC - Torsion DOC (P/O PL 5.14 Item 1)

NOTE: If necessary, refer to GP 20 for the acronym list and cross reference lists of more commonly recognised part names.

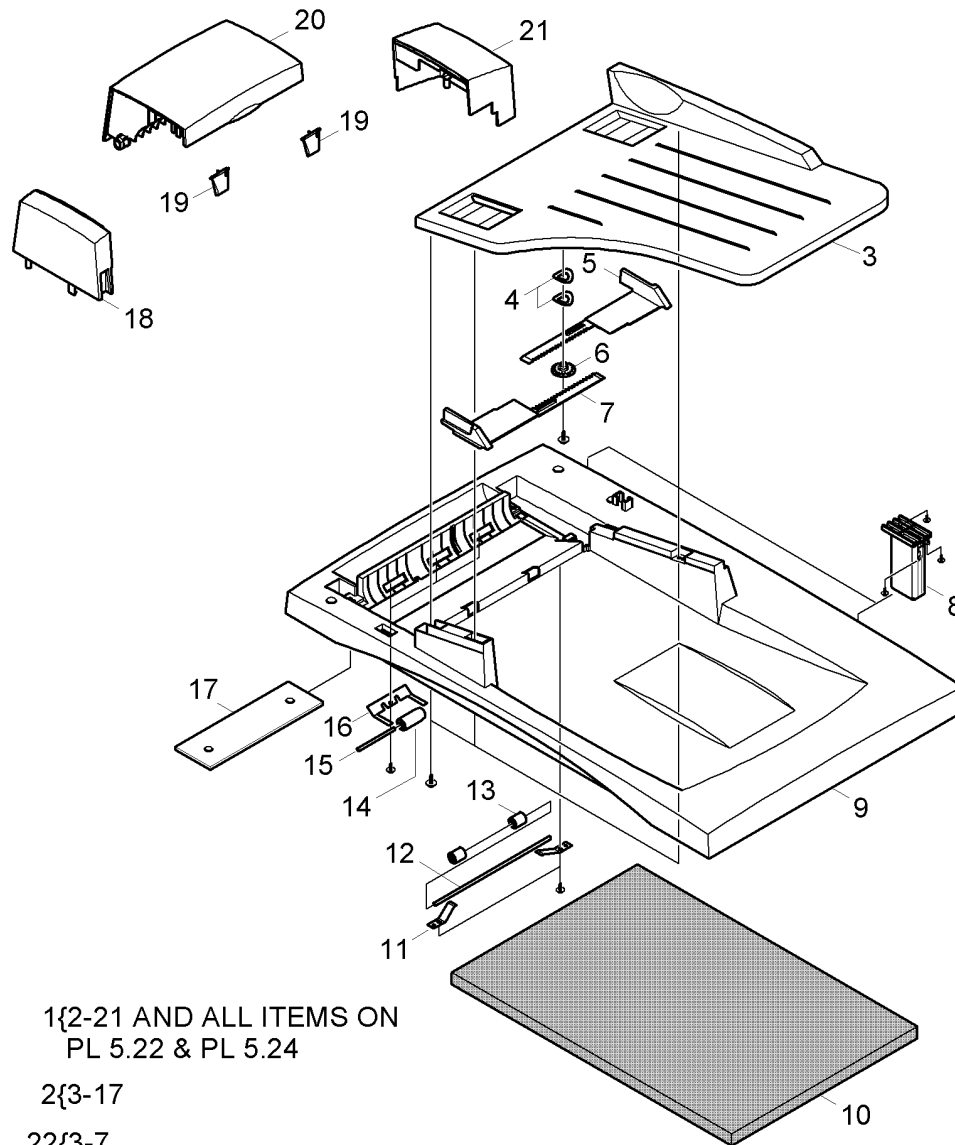


AP-8-0020-A

PL 5.20 ADF Assembly (1 of 3) (4118)

Item	Part	Description
1	007N01547	ELA HOU - ADF (REP 5.2) (ADJ 5.2)
2	-	MEA Unit - Platen Guide (P/O PL 5.20 Item 1)
3	022N01478	PMO - TX Stacker
4	-	IPR - Washer Spring CU (P/O PL 5.20 Item 2)
5	-	PMO - DOC Guide (P/O PL 5.20 Item 2)
6	-	PMO - Gear Pinion (P/O PL 5.20 Item 2)
7	-	PMO - DOC Guide (P/O PL 5.20 Item 2)
8	003N00882	MEA Unit Hinge
9	002N02590	PMO - Cover Platen
10	-	PPR - Sponge Sheet (P/O PL 5.20 Item 2)
11	-	NPR - Spring Pinch Drive (P/O PL 5.20 Item 2)
12	-	IPR - Shaft Exit (P/O PL 5.20 Item 2)
13	-	RPR - Roller Exit Idle (P/O PL 5.20 Item 2)
14	-	PMO - Roll Pinch (P/O PL 5.20 Item 2)
15	-	ICT - Shaft Exit (P/O PL 5.20 Item 2)
16	-	IPR - Spring Pinch (P/O PL 5.20 Item 2)
17	-	PPR - Sheet Platen (P/O PL 5.20 Item 2)
18	-	PMO - Cover Front (P/O PL 5.20 Item 1) (REP 5.2)
19	038N00370	PMO - Guide Paper
20	002N02002	PMO - Cover Open (P/O PL 5.20 Item 1) (REP 5.2)
21	-	PMO - Cover Rear (P/O PL 5.20 Item 1) (REP 5.2)
22	-	PMO - TX Stacker Assembly (Not Spared)

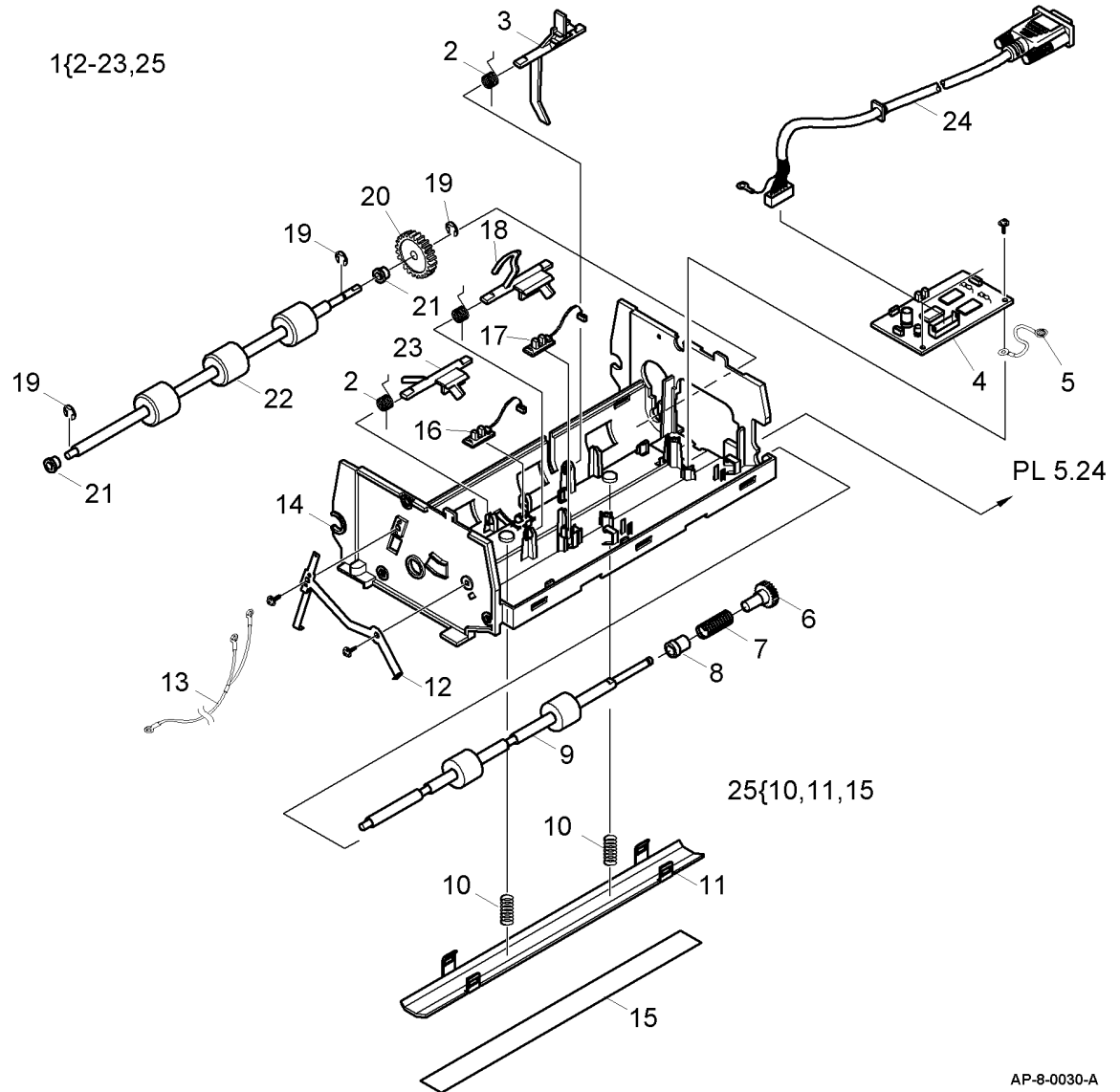
NOTE: If necessary, refer to GP 20 for the acronym list and cross reference lists of more commonly recognised part names.



AP-8-0029-A

PL 5.22 ADF Assembly (2 of 3) (4118)

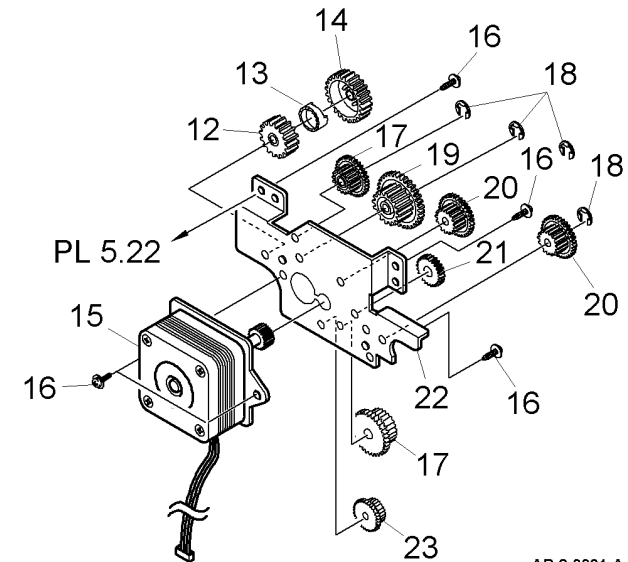
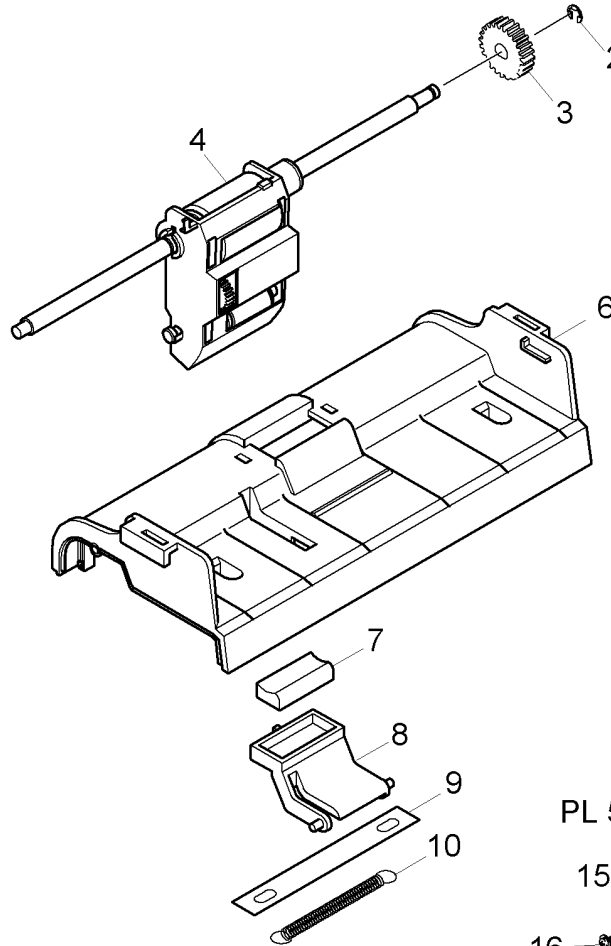
Item	Part	Description
1	038N00499	ELA HOU - ADF Lower Assembly (REP 5.2)
2	-	Spring ETC - Torsion DOC (CC2 - F) (P/O PL 5.22 Item 1)
3	-	PMO - Actuator Sensor Registration (P/O PL 5.22 Item 1)
4	140N63191	PBA Sub - ADF
5	-	CBF Harness - Driver GND (P/O PL 5.22 Item 1)
6	-	Gear - Exit 23 (P/O PL 5.22 Item 1)
7	-	Spring ETC - Clutch (P/O PL 5.22 Item 1)
8	-	PMO - Bushing Holder (P/O PL 5.22 Item 1)
9	-	MEC - Roller Exit (P/O PL 5.22 Item 1)
10	-	Spring ETC - White Bar (P/O PL 5.22 Item 25)
11	025N00079	IPR - BRKT White Bar
12	-	NPR - Spring GND (P/O PL 5.22 Item 1)
13	-	CBF Harness - ADF Roller GND (P/O PL 5.22 Item 1)
14	-	PMO - Cover ADF Lower (P/O PL 5.22 Item 1)
15	025N00080	PPR - White Bar Sheet
16	130N01199	PBA Sub - ADF Present Sensor (P/O PL 5.22 Item 1)
17	130N01200	PBA Sub - ADF Detect Sensor (P/O PL 5.22 Item 1)
18	-	PMO - Actuator Sensor Detect (P/O PL 5.22 Item 1)
19	-	E - Clip (P/O PL 5.22 Item 1)
20	-	Gear - ADF 38 (P/O PL 5.22 Item 1)
21	-	PMO - Bush (P/O PL 5.22 Item 1)
22	-	MEC - Roller Driver (P/O PL 5.22 Item 1)
23	-	PMO - Actuator Sensor Present (P/O PL 5.22 Item 1)
24	-	CBF D Sub Cable - ADF_Main Cable (P/O PL 5.20 Item 1)
25	-	White bar assembly (P/O PL 5.22 Item 1)



NOTE: If necessary, refer to GP 20 for the acronym list and cross reference lists of more commonly recognised part names.

PL 5.24 ADF Assembly (3 of 3) (4118)

Item	Part	Description
1	-	MEA Unit - Pickup Assembly (P/O PL 5.20 Item 1)
2	-	E - Clip (P/O PL 5.24 Item 1)
3	-	MEA Unit Gear (P/O PL 5.24 Item 1)
4	-	MEA Unit - Pickup (P/O PL 5.24 Item 1) (REP 5.2)
5	-	MEA Unit - ADF Upper Assembly (P/O PL 5.20 Item 1)
6	600N01739	PMO - Cover ADF Upper
7	022N01487	RMO - ADF Rubber
8	019N00610	PMO - Holder ADF
9	-	RPR - Sponge ADF (P/O PL 5.24 Item 5)
10	-	Spring ETC - Coil ADF (P/O PL 5.24 Item 5)
11	127N01377	ELA HOU - ADF Motor Assembly (REP 5.2)
12	-	Gear - Clutch 29 (P/O PL 5.24 Item 11)
13	-	PMO - White Clutch SUB 29 (P/O PL 5.24 Item 11)
14	-	Gear - Clutch 39 (P/O PL 5.24 Item 11)
15	-	Motor Step (P/O PL 5.24 Item 11)
16	-	Screw - Taptite (P/O PL 5.24 Item 11)
17	-	Gear - IDLE 20/30 (P/O PL 5.24 Item 11)
18	-	E - Clip (P/O PL 5.24 Item 11)
19	-	Gear - Reduction 45/19 (P/O PL 5.24 Item 11)
20	-	Gear - Idle 17/35 (P/O PL 5.24 Item 11)
21	-	Gear - Idle 25 (P/O PL 5.24 Item 11)
22	-	IPR - BRKT ADF Motor (P/O PL 5.24 Item 11)
23	-	Gear - Jam Remove (P/O PL 5.24 Item 11)
24	-	Retard Assembly (P/O PL 5.24 Item 5)



1{2-4
5{6-10
11{12-23
24{7-10

NOTE: If necessary, refer to GP 20 for the acronym list and cross reference lists of more commonly recognised part names.

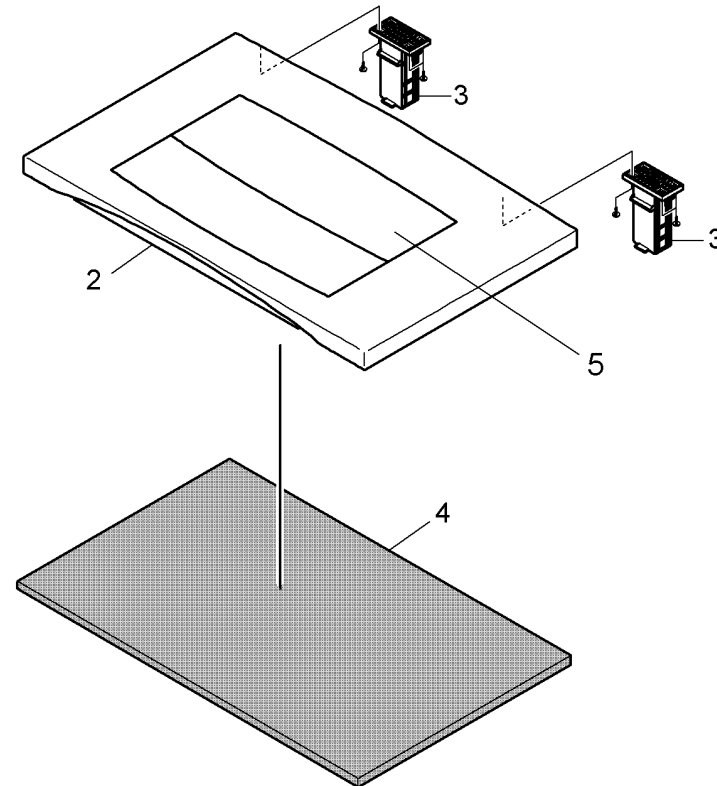
AP-8-0031-A

PL 5.25 Platen Cover Assembly (4118)

Item	Part	Description
1	-	Platen Cover Assembly (Not Spared)
2	-	Cover (P/O PL 5.25 Item 1)
3	-	Hinge Assembly (P/O PL 5.25 Item 1)
4	-	PPR Sponge Sheet (P/O PL 5.25 Item 1)
5	090N00154	Pocket Cover

NOTE: If necessary, refer to GP 20 for the acronym list and cross reference lists of more commonly recognised part names.

1{2-5

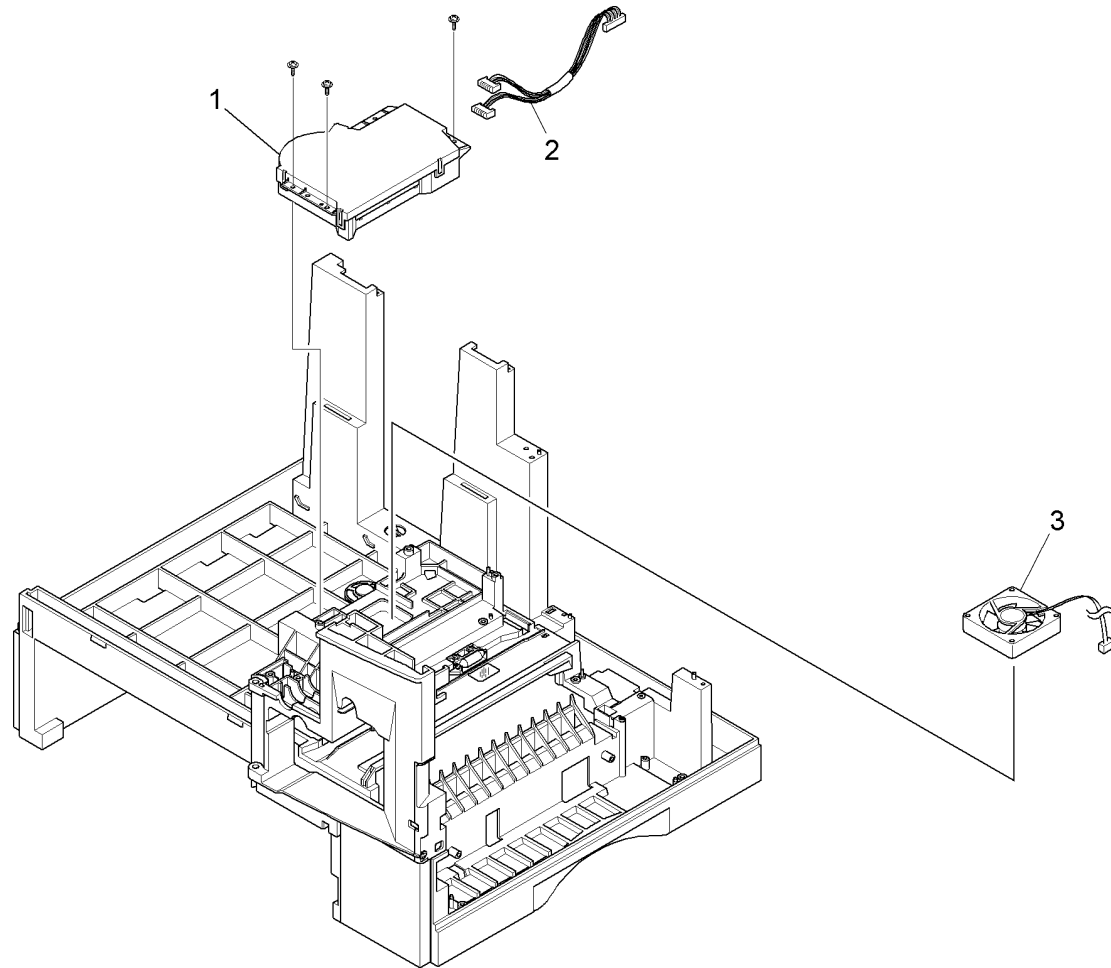


AP-8-0035-B

PL 6.10 LSU

Item	Part	Description
1	122N00234	Unit - LSU (REP 6.1)
2	152N11549	CBF Harness - LSU
3	-	Fan DC (Cardinal) (REF: PL 4.10 Item 17)

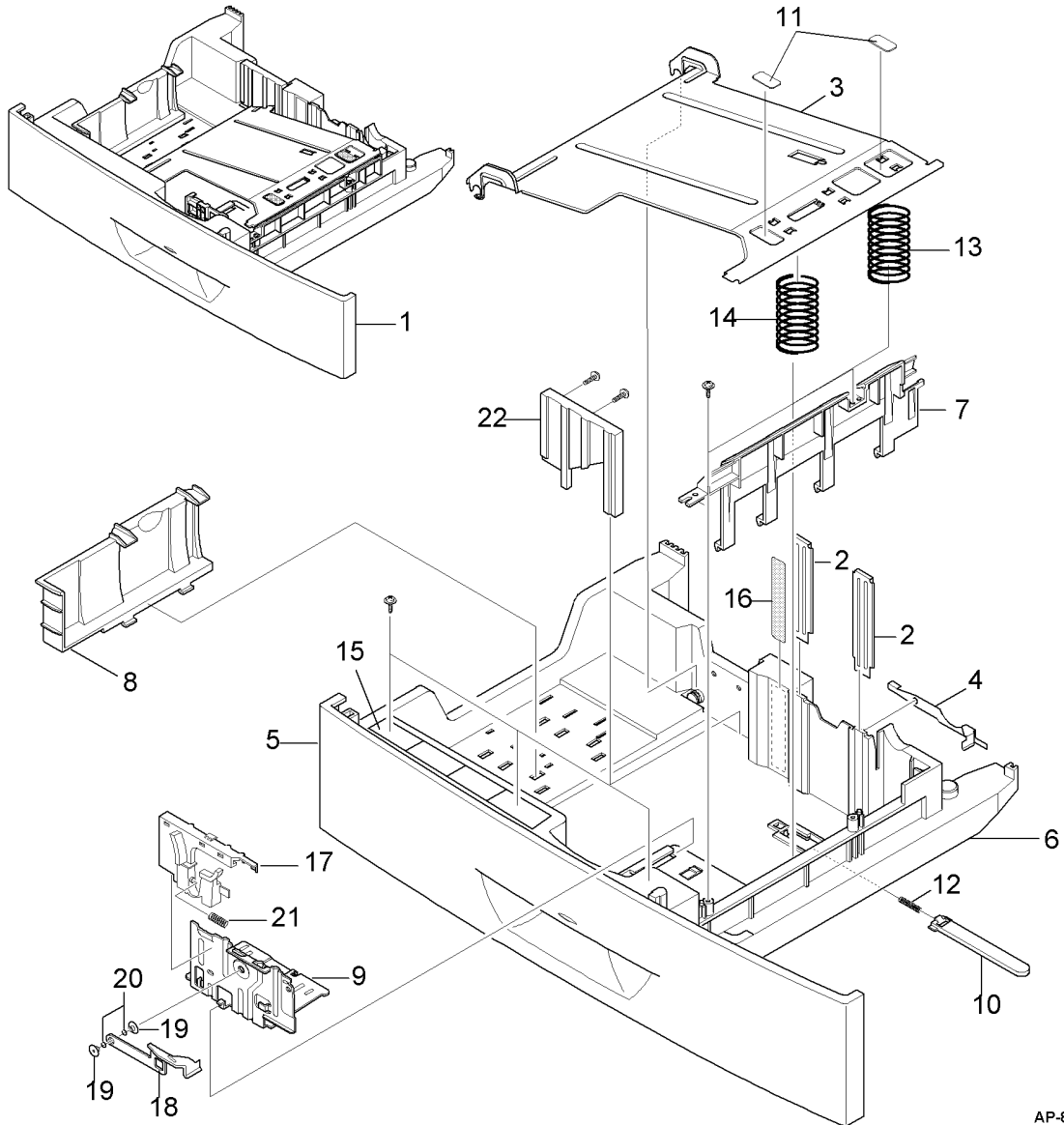
NOTE: If necessary, refer to GP 20 for the acronym list and cross reference lists of more commonly recognised part names.



AP-8-0012-A

PL 7.10 Tray 1 Cassette Assembly

Item	Part	Description
1	050N00442	Mec - Cassette Assembly (A4)
-	050N00441	Mec - Cassette Assembly (Letter)
2	-	Plate Guide Paper (P/O PL 7.10 Item 1)
3	-	IPR - Plate K/UP (P/O PL 7.10 Item 1)
4	-	IPR Finger Right (P/O PL 7.10 Item 1)
5	-	PMO - Cover Cassette (P/O PL 7.10 Item 1)
6	-	PMO - Frame Cassette (P/O PL 7.10 Item 1)
7	-	Guide Front CST Plus (P/O PL 7.10 Item 1)
8	032N00351	PMO - Guide Rear
9	-	Guide Side CST (P/O PL 7.10 Item 1)
10	-	PMO - Locker Plate (P/O PL 7.10 Item 1)
11	-	Pad - CST Plus (P/O PL 7.10 Item 1)
12	-	Spring - Locker Plate (P/O PL 7.10 Item 1)
13	009N01465	Spring CS RE
14	009N01466	Spring CS FR
15	091N80204	Label (R) - Instruction CST Plus
16	091N80205	Label (R) - Height CST
17	-	Guide Side Handle (P/O PL 7.10 Item 1)
18	-	IPR Finger Left (P/O PL 7.10 Item 1)
19	-	PMO - Bushing Finger F (P/O PL 7.10 Item 1)
20	-	Washer Plain (P/O PL 7.10 Item 1)
21	-	Spring White Bar (P/O PL 7.10 Item 1)
22	-	Guide Sub Wall (P/O PL 7.10 Item 1)



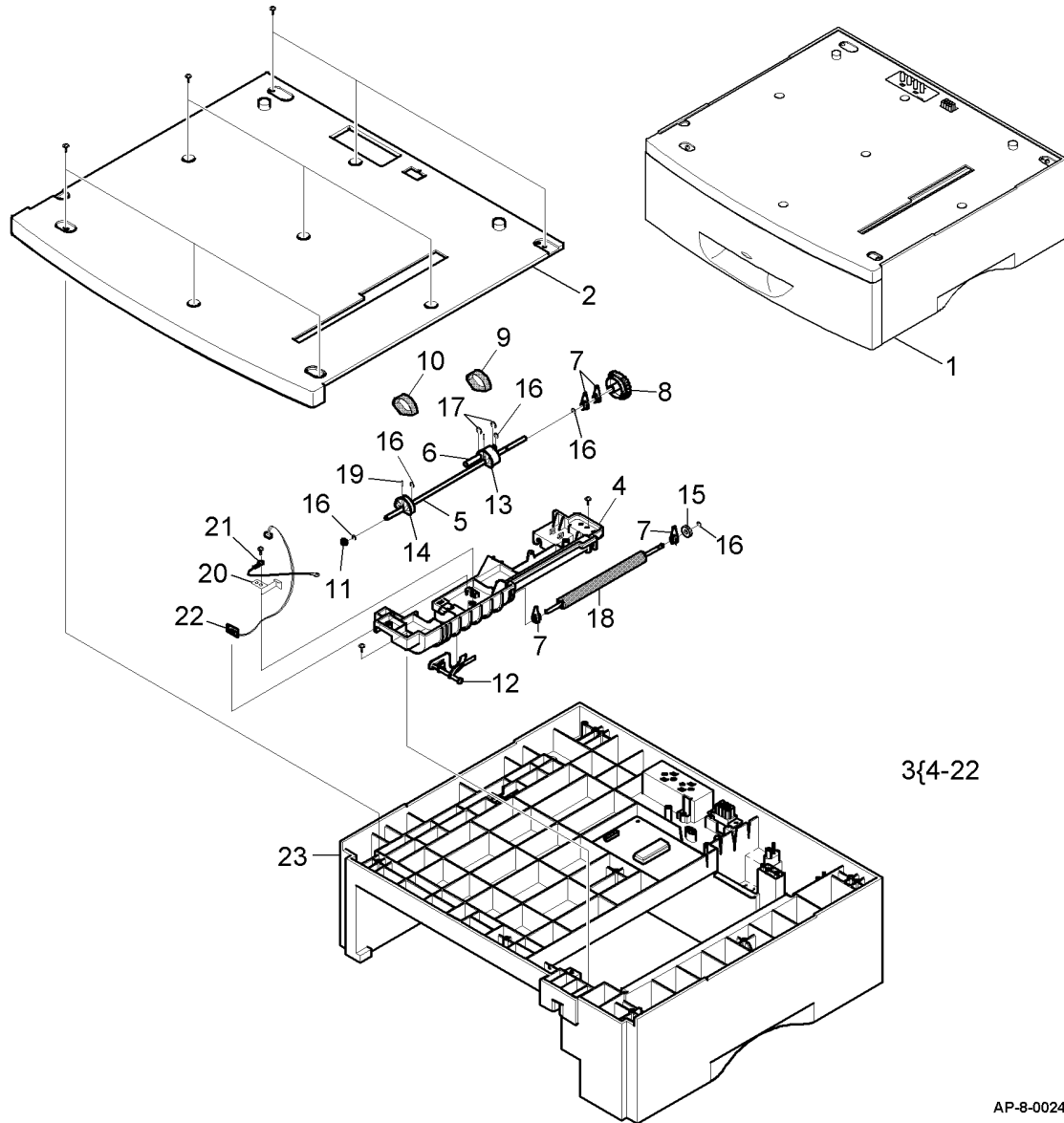
NOTE: If necessary, refer to GP 20 for the acronym list and cross reference lists of more commonly recognised part names.

AP-8-0007-A

PL 7.15 Tray 2 Cassette Assembly (1 of 2)

Item	Part	Description
1	-	ELA Unit - SCF (MC2) (REF: PL 31.10 Item 3)
2	-	PMO - Cover Top SCF (Not Spared)
3	002N02591	ELA HOU - Upper SCF2
4	-	PMO - Guide Paper Upper SCF (Not Spared)
5	-	Shaft - Pickup CST (Not Spared)
6	-	Shaft - Pickup SUB (Not Spared)
7	-	PMO - Bearing Shaft (Not Spared)
8	-	Gear - Pickup (Not Spared)
9	022N01600	Rubber - Roller Pickup
10	130N01337	Rubber - Roller Pickup S
11	-	PMO - Bushing P/U MP (Not Spared)
12	120N00452	PMO - M - Actuator No Paper (M20F)
-	120N00498	PMO - M - Actuator No Paper (4118, 2218)
13	-	Housing - M - Pickup Large (Not Spared)
14	-	Housing - M - Pickup Small (Not Spared)
15	-	Gear - Feed (SCF) (Not Spared)
16	-	Ring - E ID4 (Not Spared)
17	-	RING - E ID5 (Not Spared)
18	-	Feed Roller SCF MC2 (Not Spared)
19	-	ICT - Pin ADF (Not Spared)
20	-	Ground Plate SCF (Not Spared)
21	-	CBF Harness GND Star Wheel (Not Spared)
22	-	PBA SUB - Exit SEN (Not Spared)
23	-	PMO - Base Frame - SCF (REF: PL 7.16 Item 2)

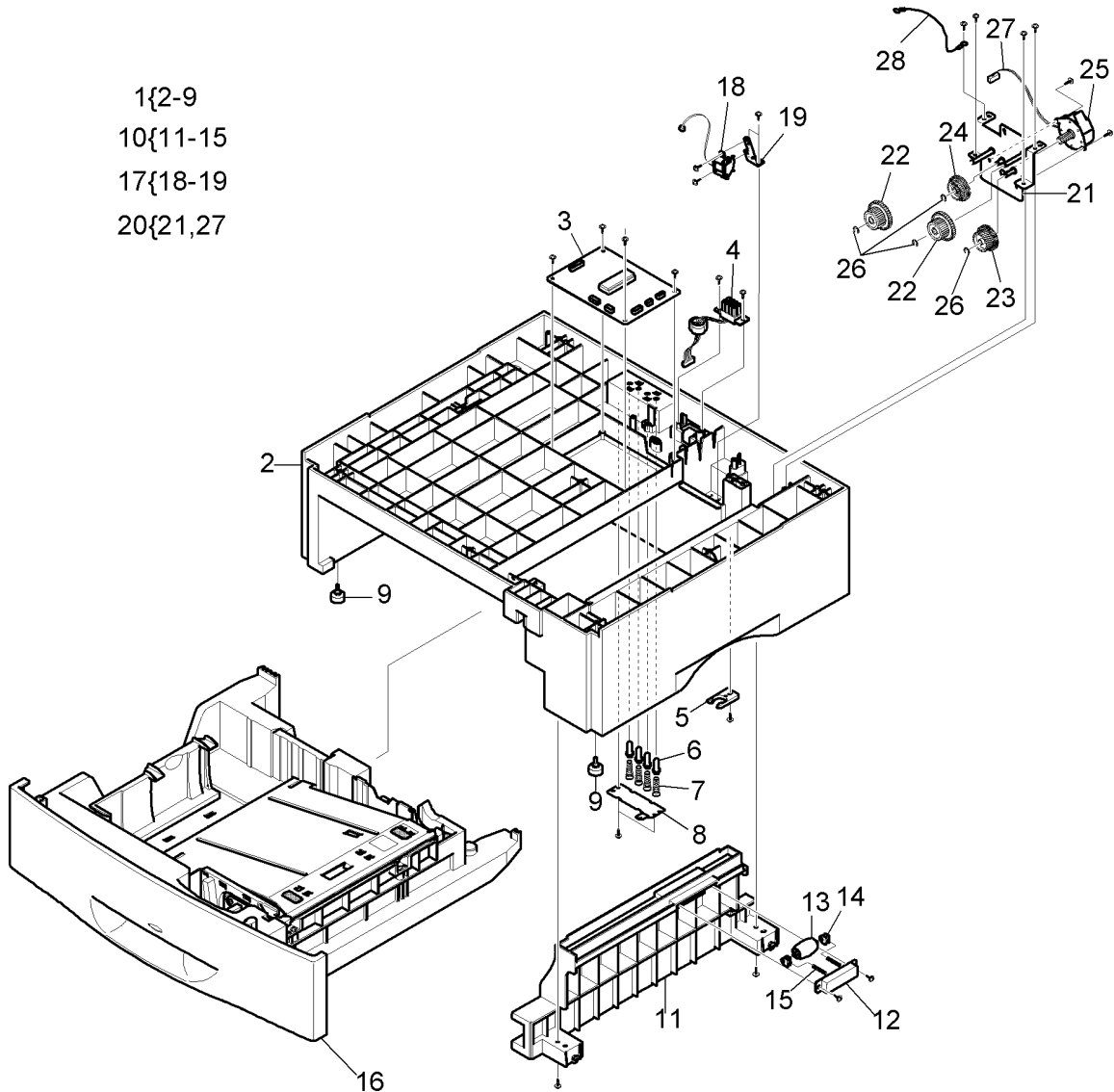
NOTE: If necessary, refer to GP 20 for the acronym list and cross reference lists of more commonly recognised part names.



AP-8-0024-A

PL 7.16 Tray 2 Cassette Assembly (2 of 2)

Item	Part	Description	
1	-	ELA HOU - Frame - SCF (MC2) (Not Spared)	1{2-9
2	-	PMO - Base Frame - SCF (Not Spared)	10{11-15
3	140N63176	PBA SCF (M20F) (W/TAG 050)	17{18-19
-	140N62874	PBA SCF (M20F) (W/O TAG 050)	20{21,27
-	140N63203	PBA SCF (4118, 2218)	
4	152N11720	CBF Harness - SCF	
5	-	CAM Catch (Not Spared)	
6	006N01184	ICT - Shaft HV Large	
7	009N01410	Spring ETC - HV Large	
8	015N00486	IPR - Plate Ground (A)	
9	-	Foot (Not Spared)	
10	-	MEA Unit - Lower SCF2 (Not Spared)	
11	-	PMO - Guide Paper Lower (Not Spared)	
12	-	PMO - Holder Idle Roll 16 (Not Spared)	
13	-	PMO - Roller Idle (SCF) (Not Spared)	
14	-	PMO - Bush Idle Roll - SCF16 (Not Spared)	
15	-	Spring ETC - Pad (Not Spared)	
16	-	MEA Unite-Cassette (REF: PL 7.10 Item 1)	
17	-	ELA HOU - Solenoid SCF2 (Not Spared)	
18	-	Solenoid Pickup (Not Spared)	
19	-	Bracket Clutch SCF (Not Spared)	
20	002N02592	ELA HOU - Motor SCF2	
21	-	Bracket SCF Motor (Not Spared)	
22	-	SCF Gear 41/23 (Not Spared)	
23	-	OPC Gear 53/37 (Not Spared)	
24	-	SCF Gear 53/31 (Not Spared)	
25	-	Motor Step - SCF (2K) (Not Spared)	
26	-	Ring - E (Not Spared)	
27	152N01992	CBF Harness - SCF	
28	-	CBF Harness - GND (Not Spared)	

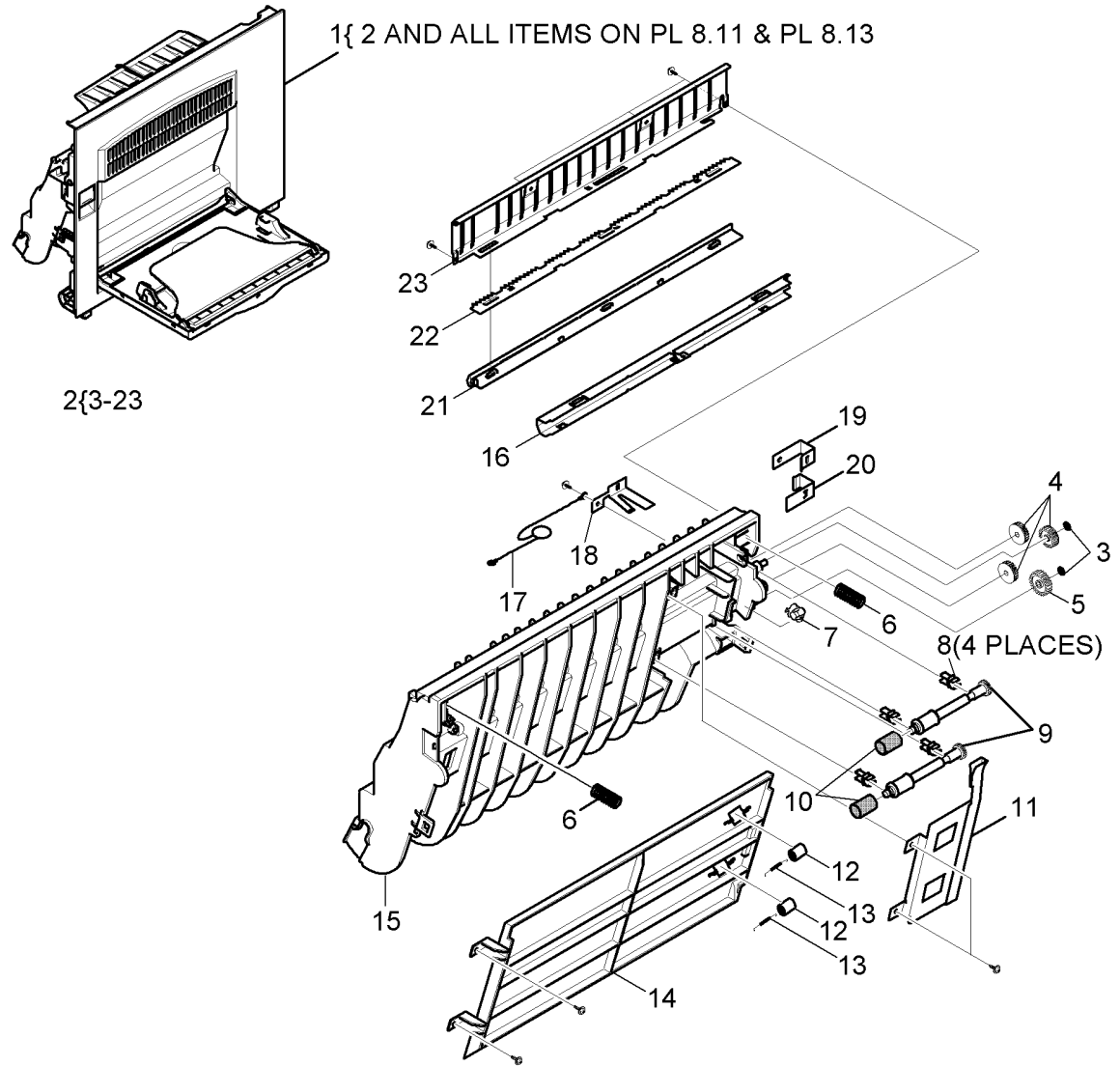


NOTE: If necessary, refer to GP 20 for the acronym list and cross reference lists of more commonly recognised part names.

AP-8-0025-A

PL 8.10 Side Cover Assembly (1 of 3)

Item	Part	Description
1	002N02589	ELA HOU - Side Cover Assembly
2	022N02057	MEA Unit - Duplex Assembly (REP 8.2)
3	-	Ring - CS (Not Spared)
4	-	Gear - Dup Idler 17 (P/O PL 8.10 Item 2)
5	-	Gear - MP/DUP DRV (P/O PL 8.10 Item 2)
6	-	Spring Feed (P/O PL 8.10 Item 2)
7	-	PMO - Bushing Feed (P/O PL 8.10 Item 2)
8	-	PMO - Bushing TX (B4) (P/O PL 8.10 Item 2)
9	-	PMO - Shaft DUP Driver (P/O PL 8.10 Item 2)
10	-	RPR - Rubber Exit (P/O PL 8.10 Item 2)
11	-	IPR - BRKT G DUP (P/O PL 8.10 Item 2)
12	-	PMO - Roller Exit (P/O PL 8.10 Item 2)
13	-	Spring Fuser Exit (P/O PL 8.10 Item 2)
14	-	PMO - GP Lower DP (P/O PL 8.10 Item 2)
15	-	PMO - Feed Frame (P/O PL 8.10 Item 2)
16	-	IPR - Bracket Guide B (P/O PL 8.10 Item 2)
17	-	CBF Harness - OPE GND (P/O PL 8.10 Item 2)
18	-	IPR - BRKT Ground B (P/O PL 8.10 Item 2)
19	-	IPR - BRKT Ground A (P/O PL 8.10 Item 2)
20	-	IPR - BRKT Ground TR (P/O PL 8.10 Item 2)
21	-	PMO - Holder Saw (P/O PL 8.10 Item 2)
22	-	IPR - Plate saw (P/O PL 8.10 Item 2)
23	-	IPR - BRKT Guide A (P/O PL 8.10 Item 2)



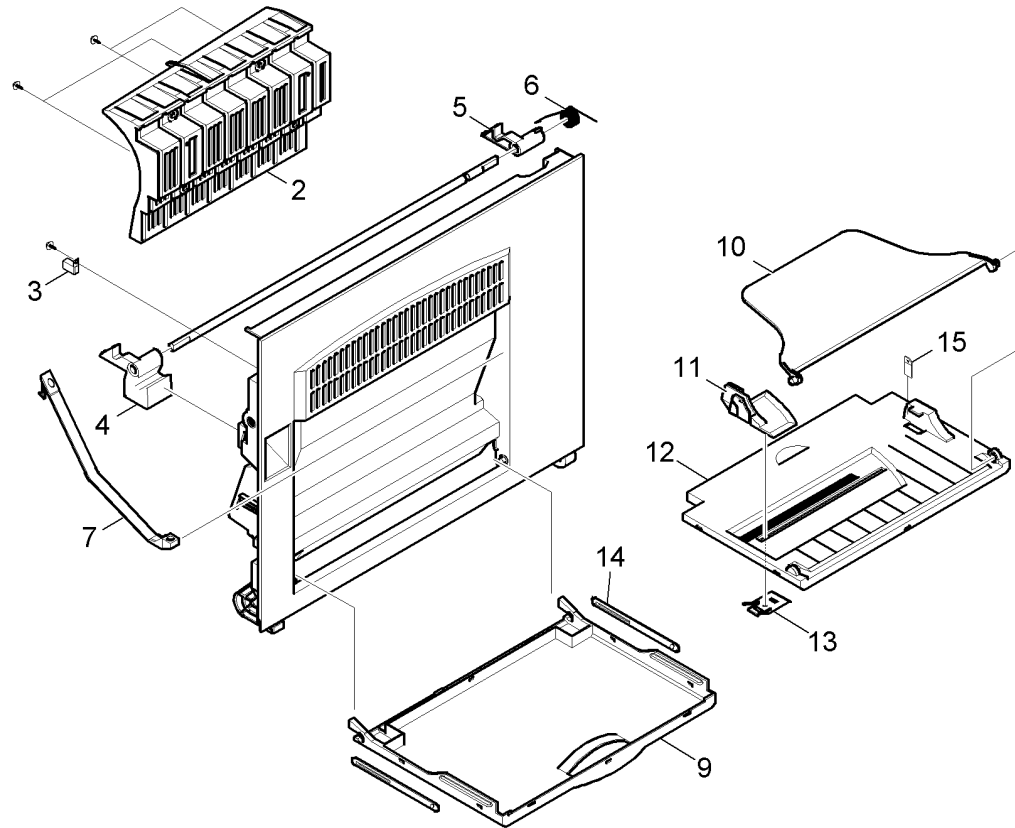
AP-8-0005-B

NOTE: If necessary, refer to GP 20 for the acronym list and cross reference lists of more commonly recognised part names.

PL 8.11 Side Cover Assembly (2 of 3)

Item	Part	Description
1	050N00445	MEA Unit - Side SUB Assembly
2	-	PMO - Guide DP Side (P/O PL 8.11 Item 1)
3	-	Guide Side Push (P/O PL 8.11 Item 1)
4	-	PMO - Locker Open (P/O PL 8.11 Item 1)
5	-	PMO - Locker Side R (P/O PL 8.11 Item 1)
6	-	Spring - Locker Torsion (P/O PL 8.11 Item 1)
7	120N00394	PMO - Tie Stopper
8	050N00496	MEA Unit - Tray Assembly (REP 7.1)
9	-	PMO - Tray Case, MP (P/O PL 8.11 Item 8)
10	-	PMO - Side Exit, MP (P/O PL 8.11 Item 8)
11	-	PMO - Side Guide, MP (P/O PL 8.11 Item 8)
12	-	PMO - Tray Cover, MP (P/O PL 8.11 Item 8)
13	-	IPR - Guide Latch, MP (P/O PL 8.11 Item 8)
14	012N00139	PMO - Tray Link, MP
15	-	Label (R) - Height, MP (P/O PL 8.11 Item 8)

1{2-15
8{9-15



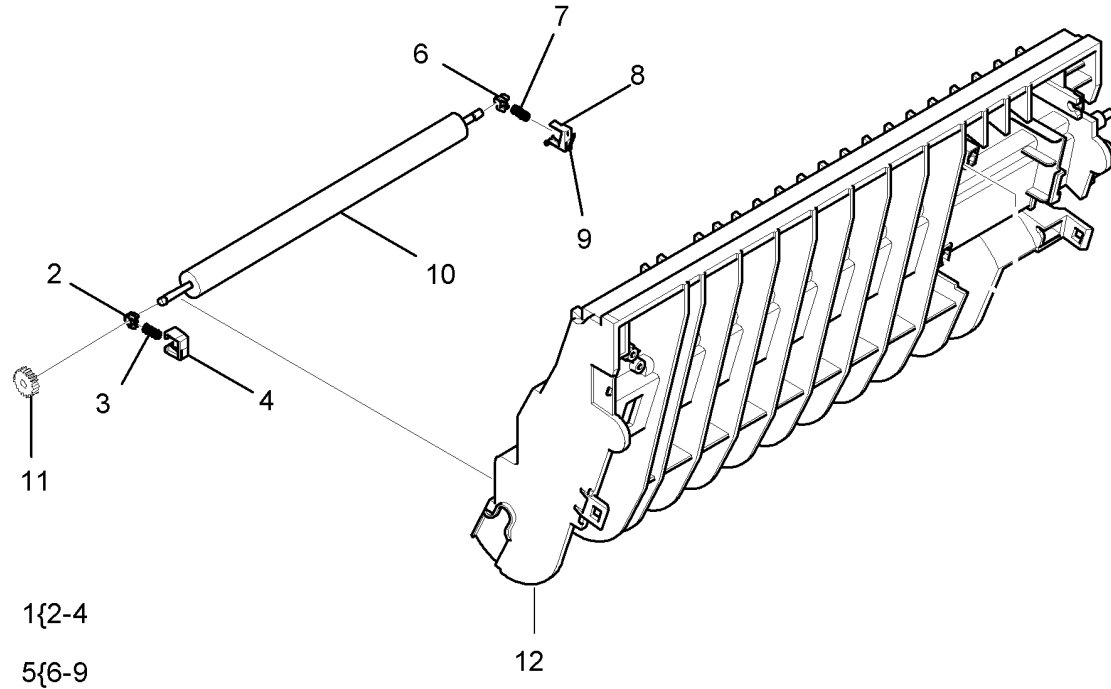
NOTE: If necessary, refer to GP 20 for the acronym list and cross reference lists of more commonly recognised part names.

AP-8-0006-A

PL 8.13 Side Cover Assembly (3 of 3)

Item	Part	Description
1	009N01363	MEA Unit - Hold Gear
2	-	PMO - Bush (P/O PL 8.13 Item 1)
3	-	Spring ETC - TRR (P/O PL 8.13 Item 1)
4	-	PMO - Holder Gear TR (P/O PL 8.13 Item 1)
5	022N02260	MEA Unit - Hold TR GND
6	-	PMO - Bush (P/O PL 8.13 Item 5)
7	-	Spring ECT - TR (P/O PL 8.13 Item 5)
8	-	Spring ETC - Plate TR (P/O PL 8.13 Item 5)
9	-	PMO - Holder GND TR (P/O PL 8.13 Item 5)
10	022N01475	Transfer Roller (REP 8.3)
11	007N01114	Gear Transfer
12	-	PMO - Feed Frame (P/O PL 8.10 Item 2)

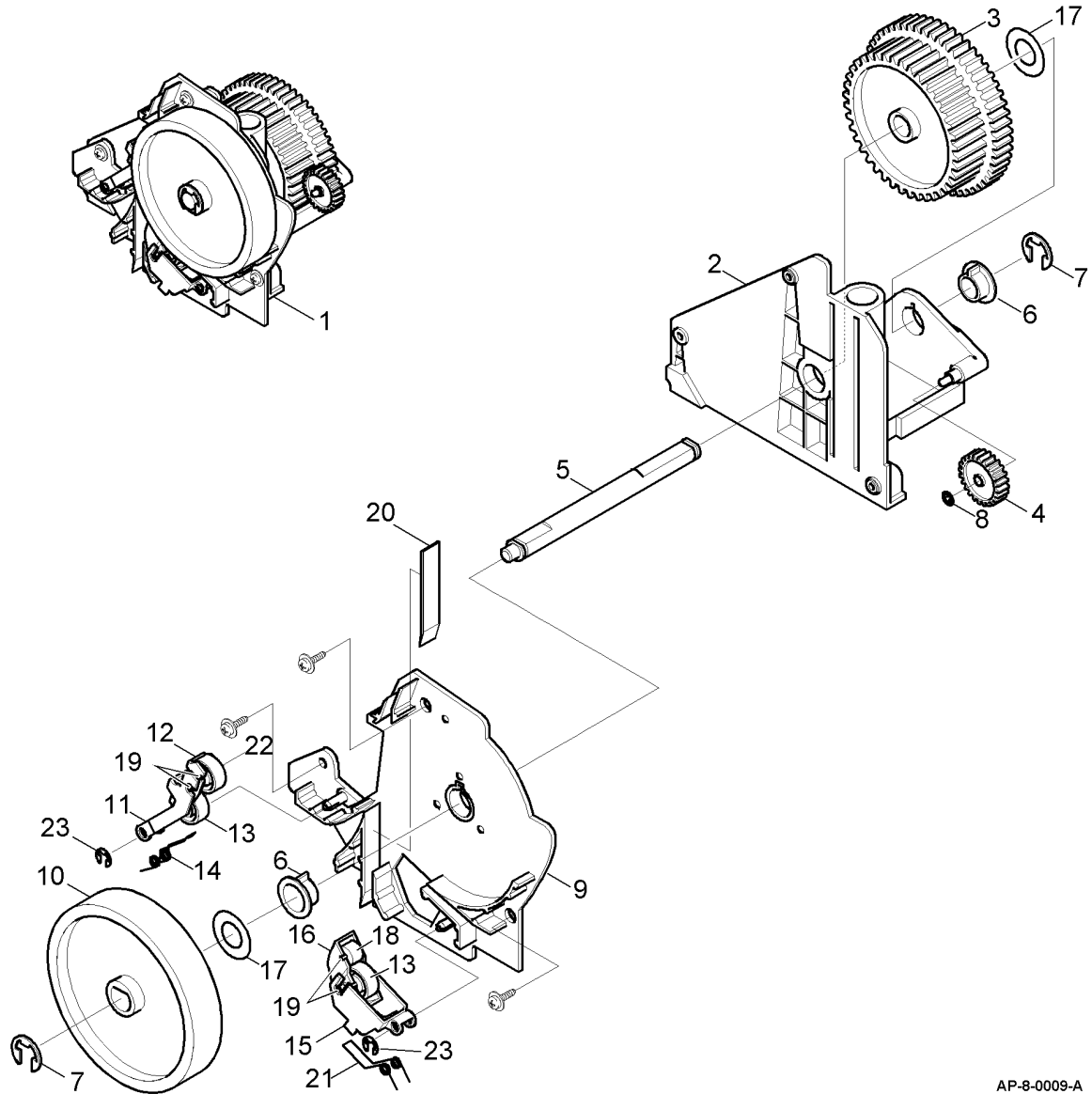
NOTE: If necessary, refer to GP 20 for the acronym list and cross reference lists of more commonly recognised part names.



AP-8-0038-A

PL 8.15 Feeder Assembly

Item	Part	Description
1	022N02056	MEA Unit - Feed Roller Assembly (REP 8.5)
2	-	PMO - Frame Feed (P/O PL 8.15 Item 1)
3	-	Gear - Feed (P/O PL 8.15 Item 1)
4	-	Gear - MP/DUP DRV (P/O PL 8.15 Item 1)
5	-	ICT - Shaft Feed (P/O PL 8.15 Item 1)
6	-	PMO - Bushing P/U, MP (P/O PL 8.15 Item 1)
7	-	Ring - E (P/O PL 8.15 Item 1)
8	-	Ring - CS (P/O PL 8.15 Item 1)
9	-	PMO - BRKT Feed (P/O PL 8.15 Item 1)
10	022N01470	PMO - Roller Feed
11	-	PMO - Holder Pinch C (P/O PL 8.15 Item 1)
12	-	PMO - Holder Pinch SUB (P/O PL 8.15 Item 1)
13	-	PMO - Roller Feed L (P/O PL 8.15 Item 1)
14	-	Holder Push Feed CST (P/O PL 8.15 Item 1)
15	-	PMO - Holder Pinch M (P/O PL 8.15 Item 1)
16	-	PMO - SUB Holder Feed (P/O PL 8.15 Item 1)
17	-	Washer - Plain (P/O PL 8.15 Item 1)
18	-	PMO - Roller Feed S (P/O PL 8.15 Item 1)
19	-	IPR - Shaft Feed Idler (P/O PL 8.15 Item 1)
20	-	Sheet Feed (P/O PL 8.15 Item 1)
21	-	Spring - Feed MP Feed (P/O PL 8.15 Item 1)
22	-	PMO Roller Pinch Feed (P/O PL 8.15 Item 1)
23	-	E - Clip (P/O PL 8.15 Item 1)

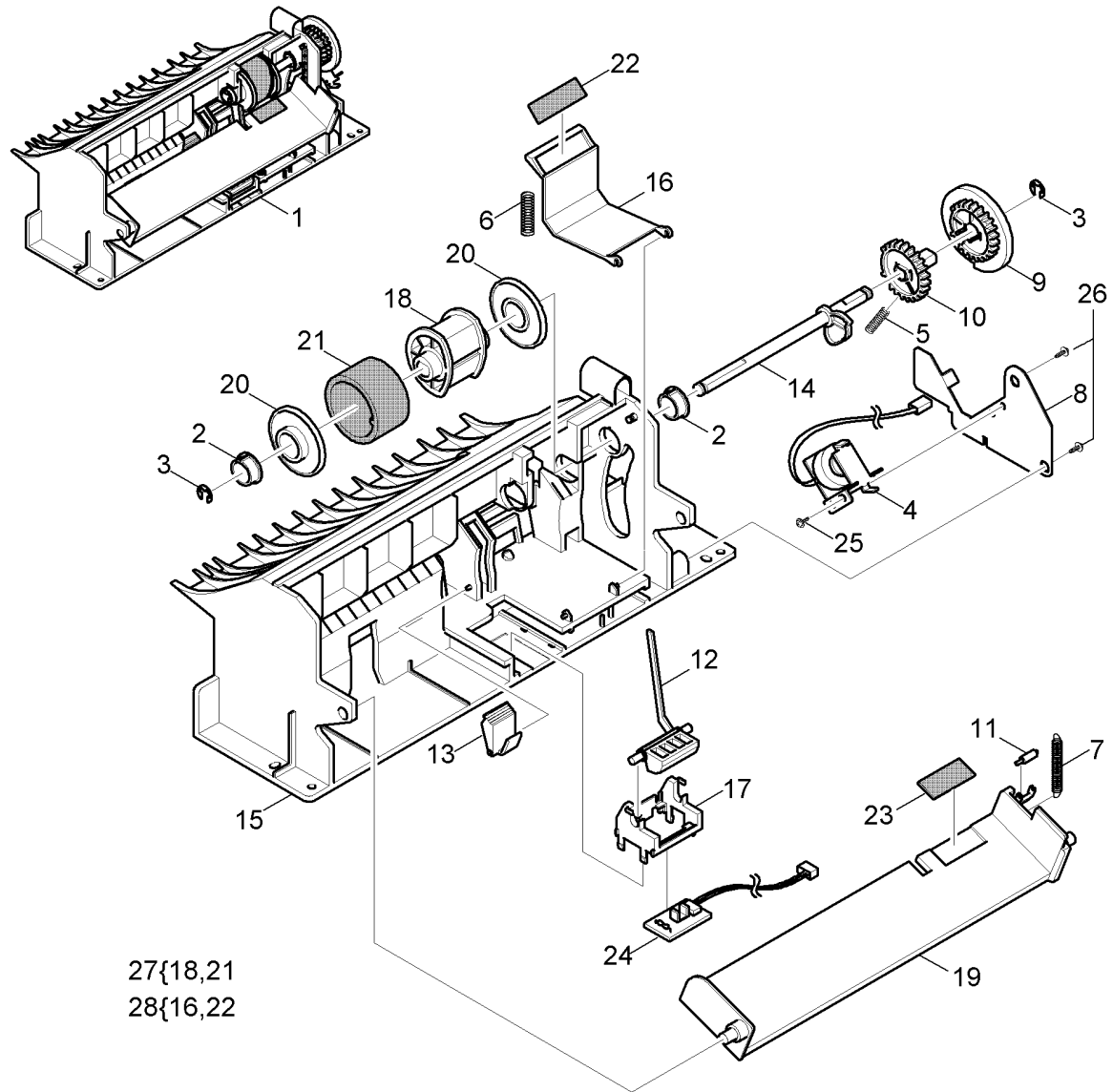


NOTE: If necessary, refer to GP 20 for the acronym list and cross reference lists of more commonly recognised part names.

AP-8-0009-A

PL 8.20 MP Assembly

Item	Part	Description
1	600N01741	ELA HOU - MP Assembly (REP 8.4)
2	013N00515	PMO - Bushing Pickup, MP
3	-	Ring - E (P/O PL 8.20 Item 1)
4	-	Solenoid - MP (P/O PL 8.20 Item 1)
5	009N01364	Spring - Cam MP
6	-	Spring - Pickup, MP (P/O PL 8.20 Item 1)
7	009N01365	Spring - Knockup, MP
8	-	IPR - Bracket Solenoid (P/O PL 8.20 Item 1)
9	-	PMO - Holder Cam (P/O PL 8.20 Item 1)
10	-	PMO - Gear P/U MPF (P/O PL 8.20 Item 1)
11	-	PMO - Roller Cam, MP (P/O PL 8.20 Item 1)
12	120N00392	PMO - Actuator, MP
13	022N01479	PMO - Adjuster, MP
14	-	PMO - Cam Pickup, MP (P/O PL 8.20 Item 1)
15	-	PMO - Frame, MP (P/O PL 8.20 Item 1)
16	019N00613	PMO - Holder Pad, MP
17	130N01206	PMO - Holder Sensor, MP
18	-	PMO - Housing Pickup, MP (P/O PL 8.20 Item 27)
19	-	PMO - Plate Knockup, MP (P/O PL 8.20 Item 1)
20	013N00516	PMO - Idle Pickup, MP
21	130N01338	RPR - Rubber Pickup, MP
22	019N00612	RPR - RCT - Pad Pickup, MP
23	019N00796	RPR - Pad MP Plus
24	130N01203	PBA SUB - MP SEN
25	-	Screw - Taptite (P/O PL 8.20 Item 1)
26	-	Screw - Taptite (P/O PL 8.20 Item 1)
27	022N02258	A/S Material-Pickup, MP (W/TAG 050)
-	022N01483	A/S Material-Pickup, MP (W/O TAG 050)
28	-	Pickup Assembly (P/O PL 8.20 Item 1)



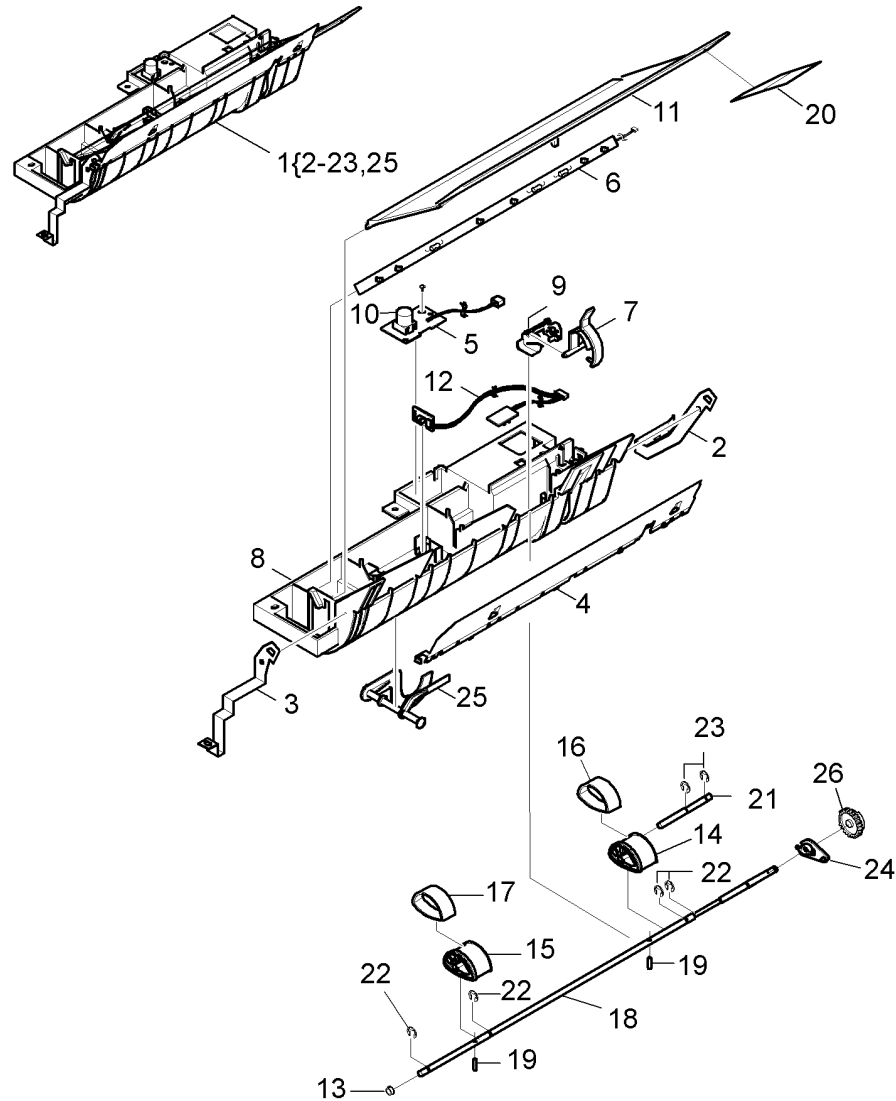
27{18,21
28{16,22

AP-8-0010-B

NOTE: If necessary, refer to GP 20 for the acronym list and cross reference lists of more commonly recognised part names.

PL 8.25 Pickup Assembly

Item	Part	Description
1	002N02276	ELA HOU - Pickup Assembly (REP 8.6)
2	-	IPR - GND Feed (P/O PL 8.25 Item 1)
3	-	IPR - GND Input (P/O PL 8.25 Item 1)
4	-	IPR - Guide Input (P/O PL 8.25 Item 1)
5	130N01207	PBA SUB - Toner TX
6	140N05940	PBA Sub - PTL
7	-	PMO - Actuator Feed Sensor (P/O PL 8.25 Item 1)
8	-	PMO - Guide Paper (P/O PL 8.25 Item 1)
9	-	PMO - Holder Sensor Feed (P/O PL 8.25 Item 1)
10	-	PMO - Lens Toner Sensor (P/O PL 8.25 Item 1)
11	-	PMO - PTL Path (P/O PL 8.25 Item 1)
12	130N01204	PBA SUB - Feed & P.EMP SEN (M20F)
-	130N01478	PBA SUB - Feed & P.EMP SEN (4118, 2218)
13	-	PMO - Bushing P/U,MP (P/O PL 8.25 Item 1)
14	-	Housing - Pickup Large (P/O PL 8.25 Item 1)
15	-	Housing - Pickup Small (P/O PL 8.25 Item 1)
16	022N01600	RPR Rubber Pickup
17	130N01337	Rubber Pickup Small
18	-	Shaft - Pickup CST (P/O PL 8.25 Item 1)
19	-	Shaft Pin ADF (P/O PL 8.25 Item 1)
20	-	Sheet - PTL Path (P/O PL 8.25 Item 1)
21	-	Shaft - SUB - Pickup (P/O PL 8.25 Item 1)
22	-	Ring - E ID4 (P/O PL 8.25 Item 1)
23	-	Ring - E ID5 (P/O PL 8.25 Item 1)
24	-	PMO - Bearing Shaft (Not Spared)
25	120N00452	PMO - Actuator No Paper
26	007N01193	Gear Pickup



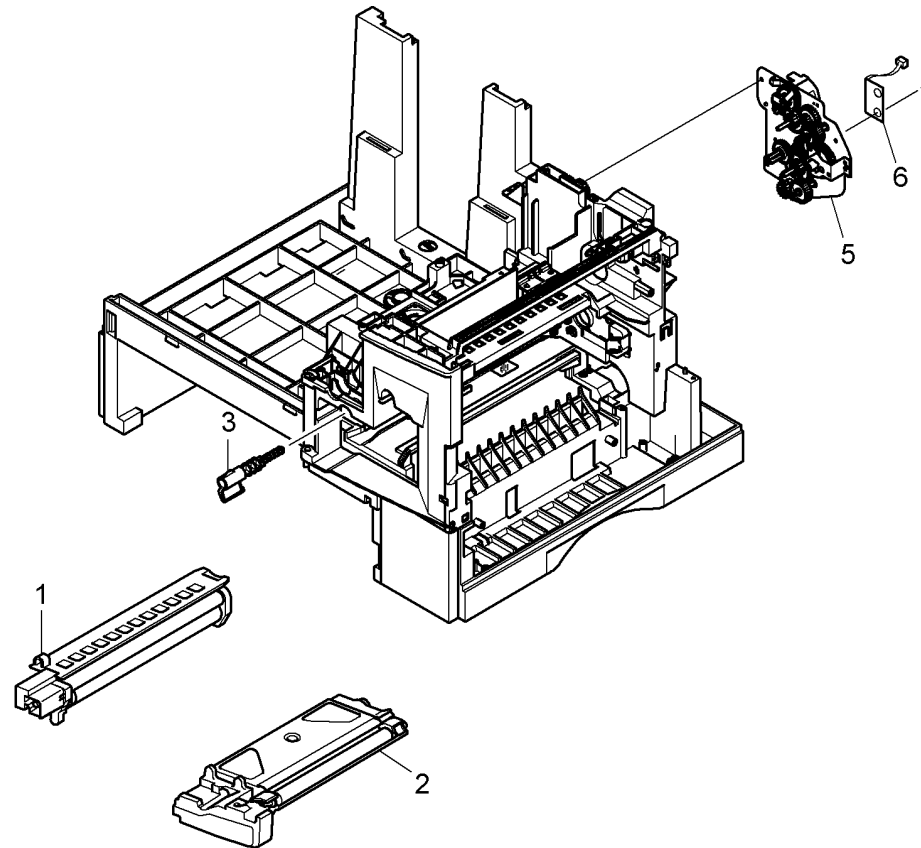
AP-8-0011-A

NOTE: If necessary, refer to GP 20 for the acronym list and cross reference lists of more commonly recognised part names.

PL 9.10 Toner & Drum Cartridge

Item	Part	Description
1	113R00671	ELA Unit - OPC Drum Set
2	106R01048	ELA - Toner Unit Set (XE) (M20F)
-	106R01047	ELA - Toner Unit Set (USSG/XCL) (M20F)
-	006R01278	ELA - Toner Unit Set (4118, 2218)
3	007N01118	PMO Lock Drive
4	-	Not used
5	-	ELA HOU - Drives Assembly (REF: PL 4.20 Item 1)
6	-	PBA Bias (Not Spared)

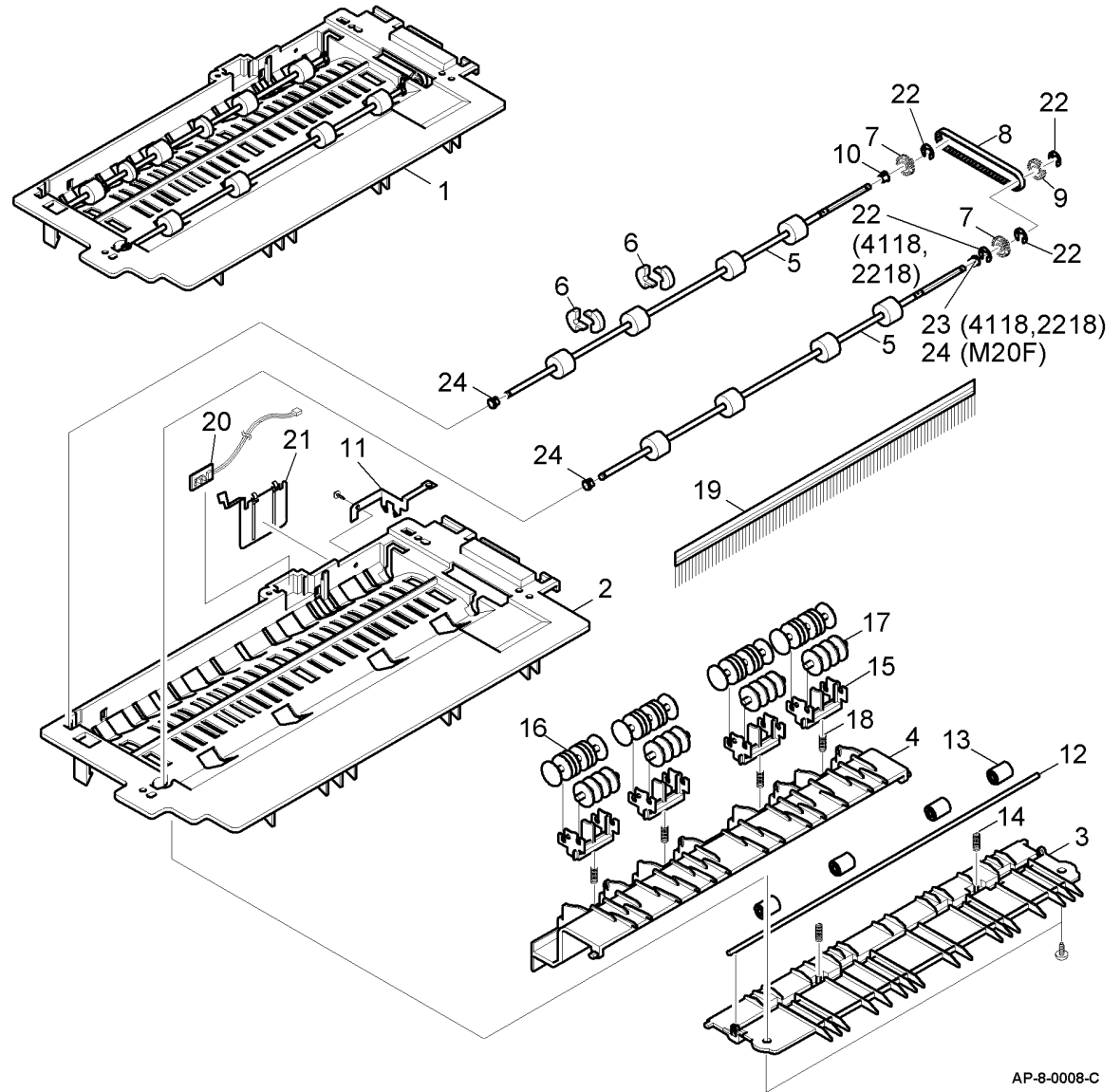
NOTE: If necessary, refer to GP 20 for the acronym list and cross reference lists of more commonly recognised part names.



AP-8-0021-B

PL 10.10 Exit Assembly

Item	Part	Description
1	600N01736	MEC - Exit Assembly (M20F) (REP 10.2)
-	038N00498	MEC - Exit Assembly (4118, 2218) (REP 10.2)
2	-	PMO - Guide - Exit Upper (P/O PL 10.10 Item 1)
3	-	PMO - Guide - Exit Lower (P/O PL 10.10 Item 1)
4	-	PMO - Guide - Jam Remove (P/O PL 10.10 Item 1)
5	007N01115	MEC - Roller Exit Drive
6	022N01474	PMO - Roller Decurl
7	020N00768	PMO - Pulley Duplex
8	023N01051	Belt - Timing Gear
9	007N01261	Gear - Duplex (M20F)
-	007N01542	Gear - Duplex (4118, 2218)
10	013N00514	Bearing
11	-	IPR - Ground - Exit (P/O PL 10.10 Item 1)
12	-	ICT - Shaft - Exit Lower ID (P/O PL 10.10 Item 1)
13	-	PMO - Roller Exit (P/O PL 10.10 Item 1)
14	-	Spring - Exit Roll FD (P/O PL 10.10 Item 1)
15	-	PMO - Holder Exit Roll (P/O PL 10.10 Item 1)
16	-	PMO - Roller FD F (P/O PL 10.10 Item 1)
17	-	PMO - Roller FD R (P/O PL 10.10 Item 1)
18	-	Spring - Exit Lower Idle (P/O PL 10.10 Item 1)
19	115N00354	MEC - Brush Antistatic
20	-	PBA SUB - Bin Full Sensor (Not Spared)
21	-	Actuator SUB - Bin Full Sensor (P/O PL 10.10 Item 1)
22	-	E - Clip (P/O PL 10.10 Item 1)
23	-	Bearing (P/O PL 10.10 Item 1)
24	-	Bearing (P/O PL 10.10 Item 1)



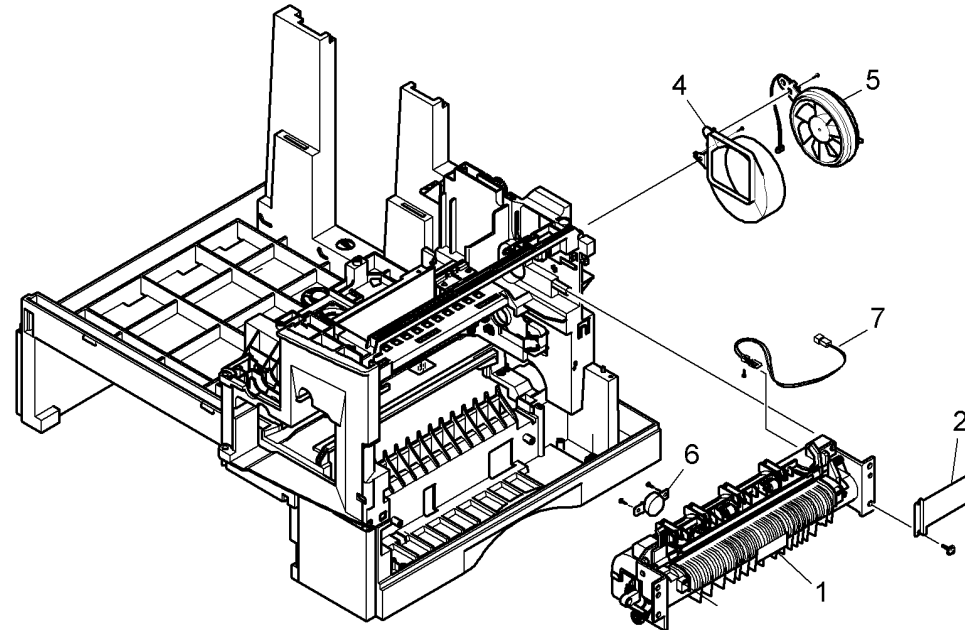
NOTE: If necessary, refer to GP 20 for the acronym list and cross reference lists of more commonly recognised part names.

PL 10.15 Fuser assembly

Item	Part	Description
1	104N00037	ELA HOU - Fuser Assembly (XE) (REP 10.1) (M20F, 4118)
-	104N00036	ELA HOU - Fuser Assembly (USSG/XCL) (REP 10.1) (M20F, 4118)
-	126N00281	ELA HOU - Fuser Assembly (USSG/XCL) (REP 10.1) (2218)
2	-	Cover Sheet Connector (Not Spared)
3	-	ELA HOU - Duct Fan (Not Spared) (REP 4.1)
4	-	PMO - Duct Fan (P/O PL 10.15 Item 3)
5	127N01375	Fan - DC
6	130N01491	Thermostat
7	130N01479	Thermistor

NOTE: If necessary, refer to GP 20 for the acronym list and cross reference lists of more commonly recognised part names.

3{4,5

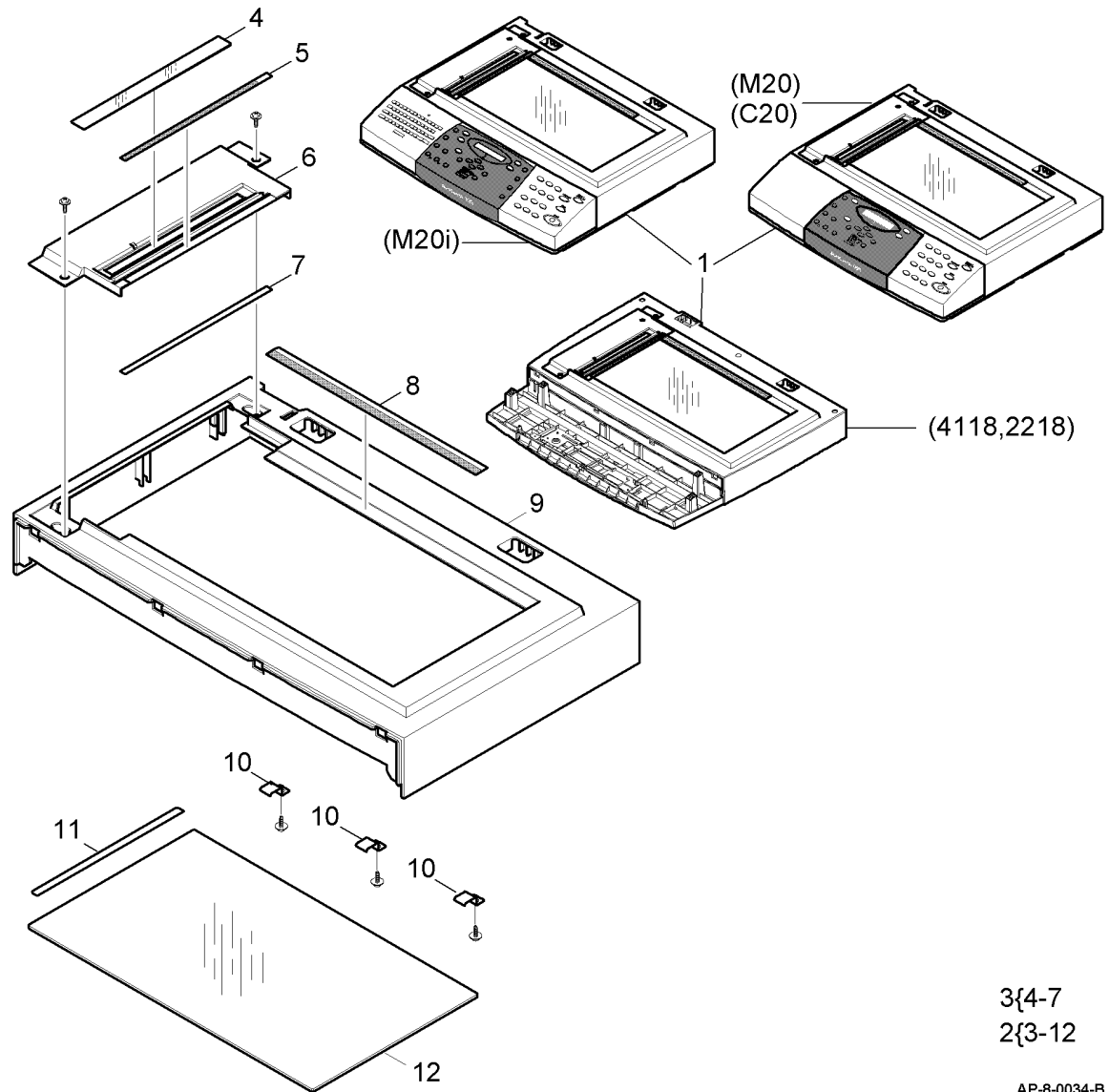


AP-8-0028-A

PL 14.10 ELA HOU Scanner Assembly (1 of 3)

Item	Part	Description
1	002N02274	ELA HOU - Scanner Assembly (C20, M20) (REP 14.1)
-	002N02273	ELA HOU - Scanner Assembly (M20i) (REP 14.1)
-	090N00162	ELA HOU - Scanner Assembly (4118) (REP 14.1)
-	090N00164	ELA HOU - Scanner Assembly (2218)
2	002N02284	ELA HOU SCAN Upper Assembly (M20F) (REP 14.1)
-	101N01403	ELA HOU SCAN Upper Assembly (4118, 2218) (REP 14.1)
3	019N00921	A/S Material Dummy Upper Assembly (W/TAG 050) (REP 14.1)
-	019N00797	A/S Material Dummy Upper Assembly (W/O TAG 050) (REP 14.1)
4	-	MCT Glass DADF (P/O PL 14.10 Item 3)
5	-	Label (L) Registration Edge (L) (P/O PL 14.10 Item 3)
6	-	AS Dummy Upper (P/O PL 14.10 Item 3)
7	-	Sheet Dummy Upper (P/O PL 14.10 Item 3)
8	-	PPR Registration Edge (F) (P/O PL 14.10 Item 2)
9	-	PMO Cover Scan Upper (P/O PL 14.10 Item 2)
10	-	IPR Holder Glass (P/O PL 14.10 Item 2)
11	-	Label (P) Sheet Shading (P/O PL 14.10 Item 2)
12	-	MCT Glass Scanner (Legal) (P/O PL 14.10 Item 2)

NOTE: If necessary, refer to GP 20 for the acronym list and cross reference lists of more commonly recognised part names.

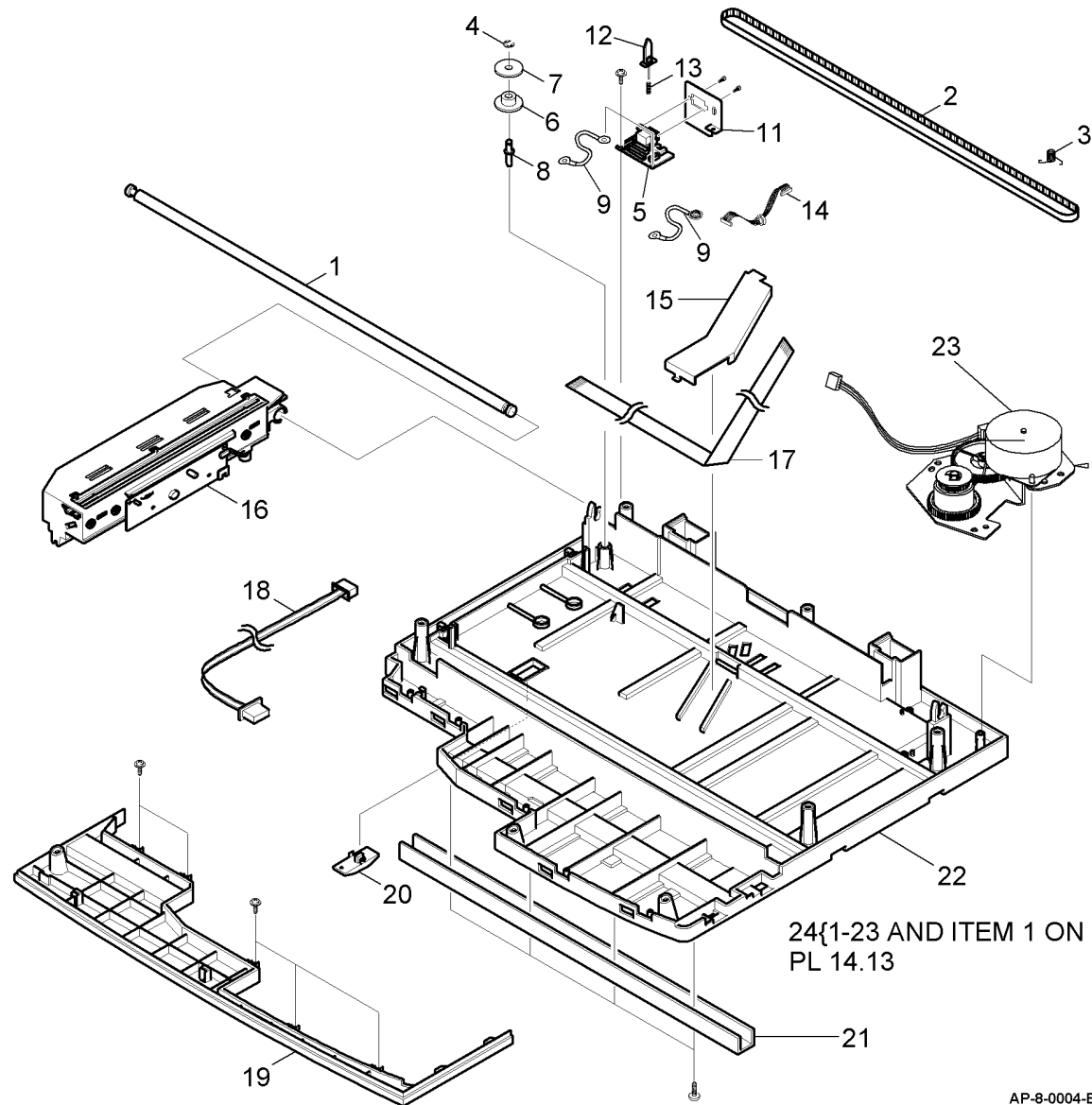


3{4-7
2{3-12

AP-8-0034-B

PL 14.11 ELA HOU Scanner Assembly (2 of 3)

Item	Part	Description
1.	-	Shaft CCD (UMAX) (Not Spared) (REP 14.1)
2.	023N00954	Belt - Timing Gear (REP 14.1)
3.	023N00955	Spring ETC - Belt
4.	-	Ring - E (Not Spared)
5.	140N63174	PBA SUB - D SUB (M20F & 2218) (W/TAG 050) (REP 14.1)
-	140N62872	PBA SUB - D SUB (M20F & 2218) (W/O TAG 050) (REP 14.1)
-	140N63201	PBA SUB - D SUB (4118) (REP 14.1)
6.	-	PMO Pulley (Not Spared)
7.	-	Washer Plain (Not Spared)
8.	-	ICT - Insert Shaft (Not Spared)
9.	-	CBF Harness- Driver GND (Not Spared)
10.	-	Not Used
11.	140N05936	IPR - BRK Scan BD
12.	011N00473	PMO Sensor Actuator
13.	-	Spring ETC - Exit (Not Spared)
14.	152N11552	CBF Harness - Scan Motor (M20F)
-	152N11719	CBF Harness - Scan Motor (4118, 2218)
15.	-	Cover M CCD Cable (Not Spared) (REP 14.1)
16.	002N02586	ELA HOU - CCD Module (M20F) (W/TAG 050) (REP 14.1)
-	002N02166	ELA HOU - CCD Module (M20F) (W/O TAG 050) (REP 14.1)
-	130N01477	ELA HOU - CCD Module (4118) (REP 14.1)
-	002N02166	ELA HOU - CCD Module (2218) (REP 14.1)
17.	117N01605	CBF Signal - CCD FFC (REP 14.1)
18.	152N11553	CBF Harness - OPE
19.	-	PMO - Cover Dummy Lower (Not Spared) (REP 14.1)
20.	-	Scanner Lock (Not Spared)
21.	-	IPR - Channel Base Frame (Not Spared) (REP 14.1)
22.	-	Cover - Scan Lower (UMAX) (Not Spared)
23.	-	ELA HOU - Scan Motor (REF: PL 14.13 Item 1) (REP 14.1)
24.	-	ELA HOU - Scan Lower (P/O PL 14.10 Item 1)



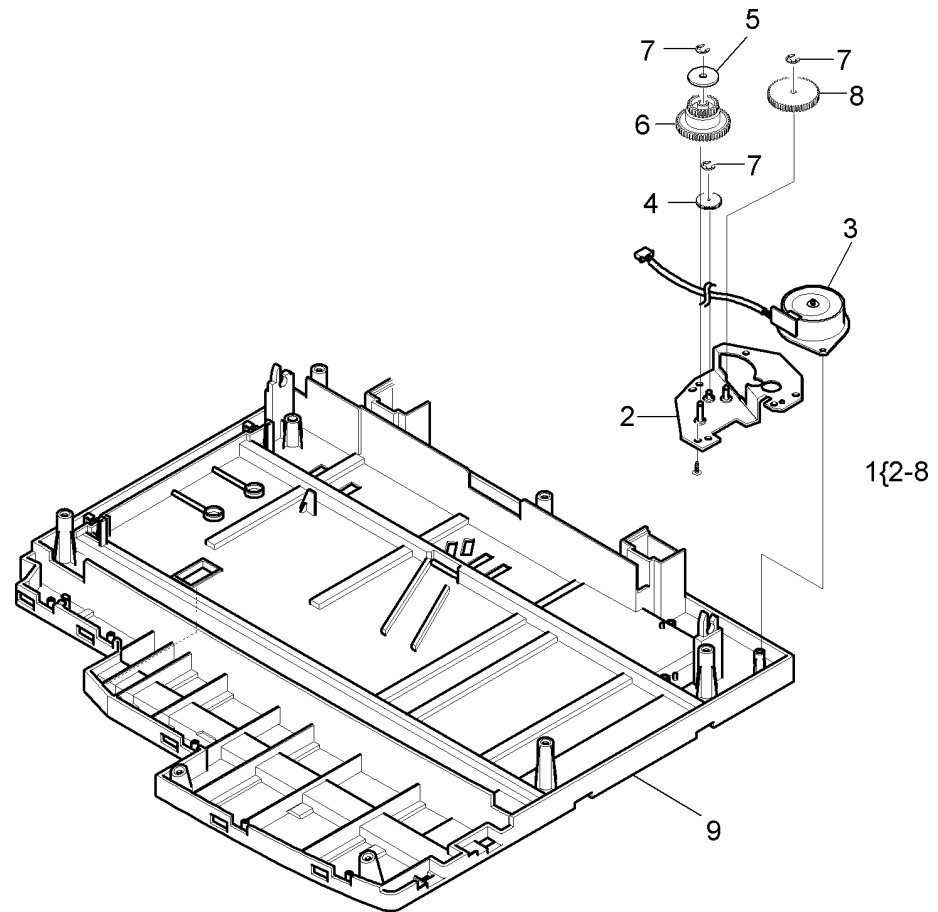
AP-8-0004-B

NOTE: If necessary, refer to GP 20 for the acronym list and cross reference lists of more commonly recognised part names.

PL 14.13 ELA HOU Scanner Assembly (3 of 3)

Item	Part	Description
1	002N02290	ELA HOU - Scan Motor (REP 14.1)
2	-	Bracket - Motor - Platen (P/O Item 1)
3	-	Motor Step - Scan (P/O Item 1)
4	-	Gear Idle (P/O Item 1)
5	-	PMO - Holder Belt (P/O Item 1)
6	-	Gear - Timing (P/O Item 1)
7	-	Ring - E (Not Spared)
8	-	Gear Reduction 73/37 (P/O Item 1)
9	-	Cover - Scan Lower (UMAX) (P/O PL 14.10 Item 1)

NOTE: If necessary, refer to GP 20 for the acronym list and cross reference lists of more commonly recognised part names.



AP-8-0037-A

PL 31.10 Maintenance/Installation/ Removal Kits

Item	Part	Description
1	097S03772B	Foreign Interface Device Kit
2	497N00184	Network Accessory Kit (M20F)
3	152N11727	2nd Paper Tray
4	–	Stand (Not Spared)
5	–	Not used
6	–	Not used
7	908N02156	Network Accessory Kit (Not Spared) (4118)
8	140N63015	Security Kit, Network and Printing (M20F)

NOTE: If necessary, refer to GP 20 for the acronym list and cross reference lists of more commonly recognised part names.

**NO EXPLODED
VIEW PROVIDED**

AP-8-0027-1

Part Number Index

Table 1 Part Number Index

Part Number	Part List
001N00384	PL 4.25
001N00451	PL 4.25
001N00482	PL 4.25
001N00485	PL 4.15
001N00486	PL 4.15
001N00494	PL 4.10
002N02002	PL 5.20
002N02009	PL 4.25
002N02017	PL 4.25
002N02107	PL 4.25
002N02161	PL 4.25
002N02166	PL 14.11
002N02273	PL 14.10
002N02274	PL 14.10
002N02275	PL 5.10
002N02276	PL 8.25
002N02279	PL 4.15
002N02280	PL 4.25
002N02281	PL 2.10
002N02282	PL 2.11
002N02283	PL 2.10
002N02284	PL 14.10
002N02285	PL 5.14
002N02286	PL 5.10
002N02287	PL 5.10
002N02288	PL 5.10
002N02289	PL 4.20
002N02290	PL 14.13
002N02291	PL 5.10
002N02515	PL 2.15
002N02516	PL 2.15
002N02517	PL 2.15
002N02518	PL 2.15
002N02519	PL 2.15
002N02520	PL 2.15
002N02521	PL 2.15
002N02522	PL 2.15
002N02586	PL 14.11
002N02587	PL 4.15

Table 1 Part Number Index

Part Number	Part List
002N02589	PL 8.10
002N02590	PL 5.20
002N02591	PL 7.15
002N02592	PL 7.16
002N02593	PL 2.15
002N02594	PL 2.15
002N02686	PL 4.25
002N02687	PL 2.18
003N00882	PL 5.20
003N00967	PL 5.14
003N01024	PL 2.15
003N01024	PL 2.18
006N01184	PL 7.16
006N01241	PL 5.14
007N01114	PL 8.13
007N01115	PL 10.10
007N01118	PL 9.10
007N01193	PL 8.25
007N01261	PL 10.10
007N01539	PL 4.20
007N01542	PL 10.10
007N01547	PL 5.20
009N01363	PL 8.13
009N01364	PL 8.20
009N01365	PL 8.20
009N01410	PL 7.16
009N01465	PL 7.10
009N01466	PL 7.10
009N01467	PL 4.10
011N00463	PL 4.17
011N00464	PL 4.25
011N00465	PL 4.25
011N00473	PL 14.11
012N00139	PL 8.11
013N00514	PL 10.10
013N00515	PL 8.20
013N00516	PL 8.20
015N00440	PL 4.10
015N00441	PL 4.10
015N00486	PL 7.16
017N00212	PL 4.10

Table 1 Part Number Index

Part Number	Part List
018N00193	PL 2.11
018N00194	PL 2.11
019N00610	PL 5.24
019N00612	PL 8.20
019N00613	PL 8.20
019N00795	PL 5.13
019N00796	PL 8.20
019N00797	PL 14.10
019N00921	PL 14.10
020N00768	PL 10.10
020N00840	PL 9.10
022N01470	PL 8.15
022N01474	PL 10.10
022N01475	PL 8.13
022N01478	PL 5.20
022N01479	PL 8.20
022N01483	PL 8.20
022N01486	PL 4.10
022N01487	PL 5.24
022N01511	PL 5.14
022N01600	PL 7.15
022N01600	PL 8.25
022N02056	PL 8.15
022N02057	PL 8.10
022N02258	PL 8.20
022N02260	PL 8.13
023N00954	PL 14.11
023N00955	PL 14.11
023N01051	PL 10.10
025N00079	PL 5.22
025N00080	PL 5.22
025N00081	PL 5.14
029N00345	PL 2.11
029N00346	PL 2.11
029N00347	PL 2.11
029N00348	PL 2.11
029N00349	PL 2.11
029N00350	PL 2.11
029N00351	PL 2.11
029N00352	PL 2.11
029N00353	PL 2.11

Table 1 Part Number Index

Part Number	Part List
029N00354	PL 2.11
029N00355	PL 2.11
029N00356	PL 2.11
030N00606	PL 4.10
032N00351	PL 7.10
038N00370	PL 5.20
038N00371	PL 4.25
038N00498	PL 10.10
038N00499	PL 5.22
050N00392	PL 4.25
050N00441	PL 7.10
050N00442	PL 7.10
050N00443	PL 5.10
050N00445	PL 8.11
050N00496	PL 8.11
090N00154	PL 5.25
090N00162	PL 14.10
090N00164	PL 14.10
091N00699	PL 4.25
091N80193	PL 2.10
091N80194	PL 2.10
091N80195	PL 2.10
091N80196	PL 2.10
091N80197	PL 2.10
091N80198	PL 2.10
091N80199	PL 2.10
091N80200	PL 2.10
091N80201	PL 2.10
091N80202	PL 2.10
091N80203	PL 2.10
091N80204	PL 7.10
091N80205	PL 7.10
091N80258	PL 2.18
091N80259	PL 2.18
091N80265	PL 2.18
101N01403	PL 14.10
104N00036	PL 10.15
104N00037	PL 10.15
105N02109	PL 1.15
105N02109	PL 1.20
105N02135	PL 1.20

Table 1 Part Number Index

Part Number	Part List
106R01047	PL 9.10
106R01048	PL 9.10
110N01041	PL 4.17
113N00364	PL 4.17
113N00365	PL 4.17
113R00671	PL 9.10
113N01307	PL 4.15
115N00354	PL 10.10
115N00869	PL 4.15
117N01313	PL 1.15
117N01313	PL 1.20
117N01313	PL 1.12
117N01602	PL 1.15
117N01602	PL 1.12
117N01602	PL 1.20
117N01605	PL 14.11
117N01620	PL 1.15
117N01620	PL 1.20
117N01620	PL 1.12
117N01750	PL 4.17
117N01751	PL 4.17
120N00392	PL 8.20
120N00394	PL 8.11
120N00438	PL 5.10
120N00452	PL 7.15
120N00452	PL 8.25
120N00498	PL 7.15
120N00499	PL 4.20
122N00234	PL 6.10
126N00281	PL 10.15
126N00282	PL 1.20
126N00283	PL 1.20
127N01375	PL 10.15
127N01377	PL 5.24
127N07298	PL 4.20
127N07299	PL 4.20
127N07300	PL 4.10
127N07516	PL 4.10
127N07517	PL 4.20
130N01199	PL 5.22
130N01200	PL 5.22

Table 1 Part Number Index

Part Number	Part List
130N01201	PL 5.14
130N01203	PL 8.20
130N01204	PL 8.25
130N01205	PL 4.17
130N01206	PL 8.20
130N01207	PL 8.25
130N01208	PL 4.15
130N01213	PL 4.10
130N01337	PL 7.15
130N01337	PL 8.25
130N01338	PL 8.20
130N01477	PL 14.11
130N01478	PL 8.25
130N01479	PL 10.15
130N01491	PL 10.15
130N01520	PL 5.13
140N05936	PL 14.11
140N05940	PL 8.25
140N62859	PL 1.12
140N62860	PL 1.12
140N62861	PL 1.10
140N62862	PL 1.10
140N62863	PL 1.10
140N62864	PL 1.10
140N62865	PL 2.11
140N62866	PL 2.11
140N62868	PL 5.14
140N62869	PL 5.10
140N62870	PL 4.10
140N62871	PL 1.10
140N62872	PL 14.11
140N62873	PL 4.15
140N62874	PL 7.16
140N62876	PL 1.10
140N62877	PL 1.10
140N62878	PL 1.10
140N62879	PL 1.10
140N62962	PL 5.11
140N63015	PL 31.10
140N63060	PL 1.15
140N63060	PL 1.20

Table 1 Part Number Index

Part Number	Part List
140N63060	PL 1.10
140N63151	PL 5.13
140N63152	PL 5.11
140N63168	PL 1.10
140N63169	PL 1.10
140N63170	PL 1.10
140N63171	PL 2.11
140N63172	PL 2.11
140N63173	PL 1.10
140N63174	PL 14.11
140N63175	PL 4.15
140N63176	PL 7.16
140N63177	PL 1.10
140N63178	PL 1.10
140N63179	PL 1.10
140N63180	PL 5.11
140N63182	PL 1.15
140N63183	PL 1.15
140N63183	PL 1.20
140N63187	PL 1.15
140N63188	PL 1.15
140N63189	PL 1.15
140N63189	PL 1.20
140N63190	PL 1.15
140N63190	PL 1.20
140N63191	PL 5.22
140N63199	PL 4.17
140N63200	PL 4.15
140N63201	PL 14.11
140N63203	PL 7.16
140N63256	PL 1.20
140N63257	PL 2.18
140N63258	PL 1.20
144N00128	PL 1.10
144N00129	PL 1.10
144N00142	PL 1.10
144N00143	PL 1.10
152N01991	PL 4.10
152N01992	PL 7.16
152N11548	PL 1.12
152N11549	PL 6.10

Table 1 Part Number Index

Part Number	Part List
152N11550	PL 1.12
152N11551	PL 1.10
152N11552	PL 14.11
152N11553	PL 14.11
152N11554	PL 4.20
152N11555	PL 4.20
152N11556	PL 4.17
152N11557	PL 1.10
152N11715	PL 5.11
152N11719	PL 14.11
152N11720	PL 7.16
152N11721	PL 1.15
152N11721	PL 1.20
152N11723	PL 4.20
152N11724	PL 4.17
152N11725	PL 1.15
152N11726	PL 1.15
152N11726	PL 1.10
152N11726	PL 1.20
152N11727	PL 31.10
152N11742	PL 4.15
152N11743	PL 1.20
152N11744	PL 1.20
600N01736	PL 10.10
600N01739	PL 5.24
600N01741	PL 8.20
700N00096	PL 2.10
700N00097	PL 2.10