



KONICA MINOLTA

Parts Catalog

The essentials of imaging

Di1610/1610f
KONICA 7416CG/7416MFG
AF-11/KONICA DF-219

4980

PREFACE

1. The part numbers listed in Parts Catalog are those which were assigned to the parts making up the machine at the time machine was originally introduced onto the market.
2. Parts whose INDEX numbers are shown white against a black background in the illustration are those to be used in only certain market areas. These part numbers are given in the lower half part of the list section. Check the SFIX No. listed in SFIX CHART on page II to find which part number is applicable to your own area.
3. Parts whose INDEX numbers are shown black against a white background in the illustration are those to be used in all market areas. These parts are listed on the upper half part of the list section.
4. If "NS" follows a part number given in the list section, it indicates that we do not keep a stock of the part. The part is not required for ordinary service jobs, either.
5. If "RP" is shown in the REC column of the list section, it indicates that the part is functionally important.
6. In the exploded views in this Parts Catalog the parts (Screws & Washes, etc...) which are indicated with a "four-digit" numbers are listed in numerical order in the section "SCREWS AND WASHERS". Please check these "four-digit" numbers with the part numbers ("ten-digit" numbers) which should be used for ordering the part.
7. All part numbers consist of "ten-digit" which should all be quoted when ordering a part. The price of parts can be obtained by referring to the "Parts Price List" which is separately issued.
8. All information contained in this Parts Catalog is subject to change.

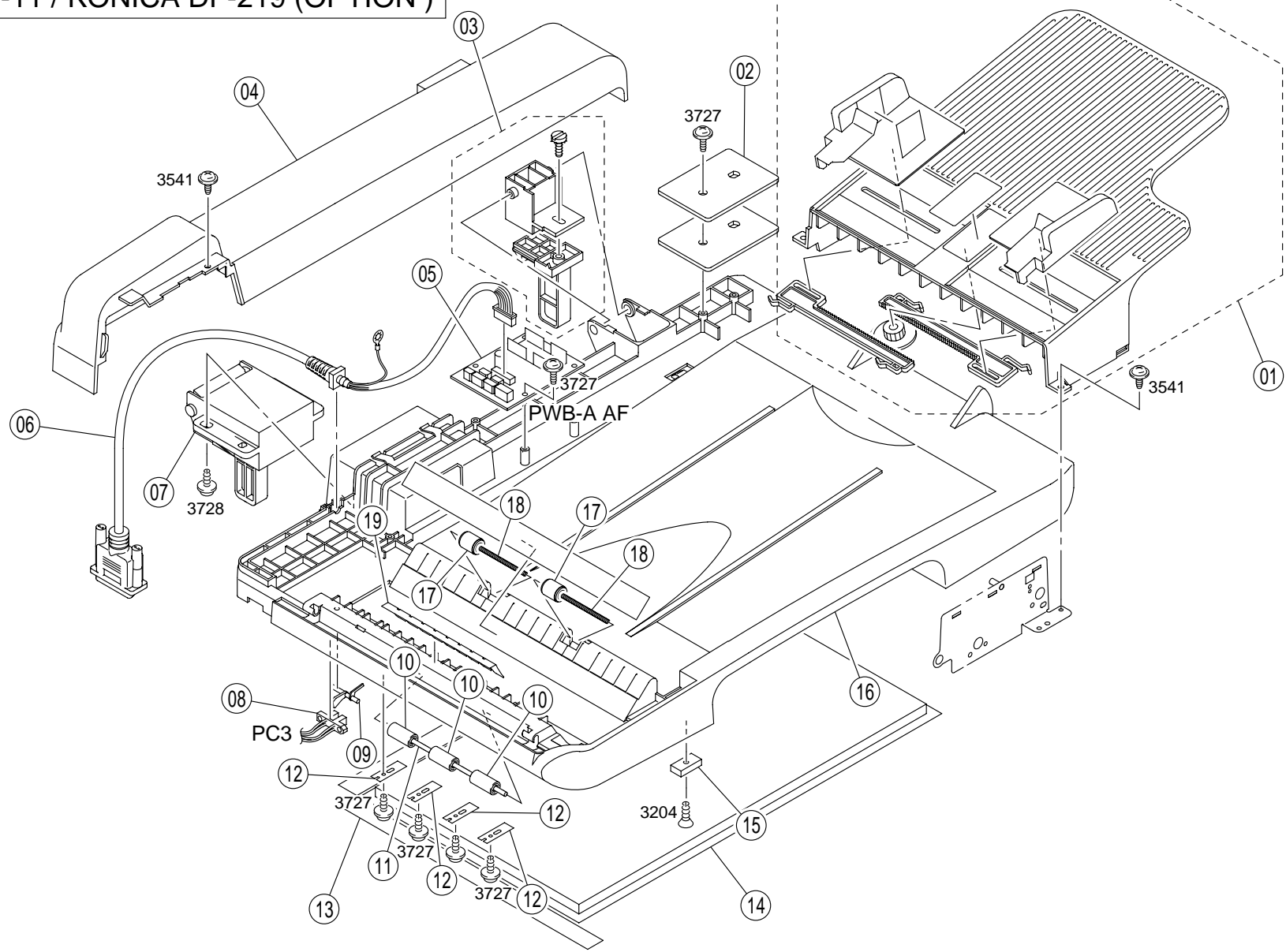
SFIX CHART

SFIX No.	COUNTRY	VOLTAGE	FREQUENCY (Hz)	PAPER SIZE	SFIX No.	COUNTRY	VOLTAGE	FREQUENCY (Hz)	PAPER SIZE
251	EUROPE/RUSSIA	220-240V	Di1610f	METRIC	282	THIRD AREA/L AMERICA	220-240V	KONICA 7416CG	METRIC
252	THIRD AREA	220-240V	Di1610f	METRIC	351	L AMERICA	120V	Di1610f	INCH
253	PHILIPPINE	220-240V	Di1610f	INCH	352	TAIWAN	110V	Di1610f	METRIC
254	ARGENTINA	220-240V	Di1610f	METRIC	353	S ARABIA/BRAZIL	120-127V	Di1610f	METRIC
261	EUROPE/RUSSIA	220-240V	Di1610	METRIC	361	L AMERICA	120V	Di1610	INCH
262	THIRD AREA	220-240V	Di1610	METRIC	362	TAIWAN	110V	Di1610	METRIC
263	PHILIPPINE	220-240V	Di1610	INCH	363	S ARABIA/BRAZIL	120-127V	Di1610	METRIC
264	ARGENTINA	220-240V	Di1610	METRIC	367	USA/CANADA	120V	Di1610	INCH
271	EUROPE	220-240V	KONICA 7416MFG	METRIC	372	TAIWAN	110V	KONICA 7416MFG	METRIC
272	THIRD AREA/L AMERICA	220-240V	KONICA 7416MFG	METRIC	381	USA/L AMERICA	120V	KONICA 7416CG	INCH
281	EUROPE	220-240V	KONICA 7416CG	METRIC	382	TAIWAN	110V	KONICA 7416CG	METRIC

CONTENTS

1.	HOUSING (ADF UNIT).....	AF-11/KONICA DF-219	1
2.	PAPER TAKE-UP SECTION (ADF UNIT)	AF-11/KONICA DF-219	3
3.	PAPER EXIT SECTION (ADF UNIT).....	AF-11/KONICA DF-219	5
4.	HOUSING.....		7
5.	OPTICAL SECTION.....		9
6.	TRANSPORT/PAPER TAKE-UP SECTION		11
7.	FUSING/PAPER EXIT UNIT		13
8.	DRIVE SECTION.....		15
9.	ELECTRICAL COMPONENTS (A)		17
10.	ELECTRICAL COMPONENTS (B)		19
11.	WIRING ACCESSORIES AND JIGS.....		21
12.	SCREWS AND WASHERS		23
13.	NUMERICAL INDEX.....		24

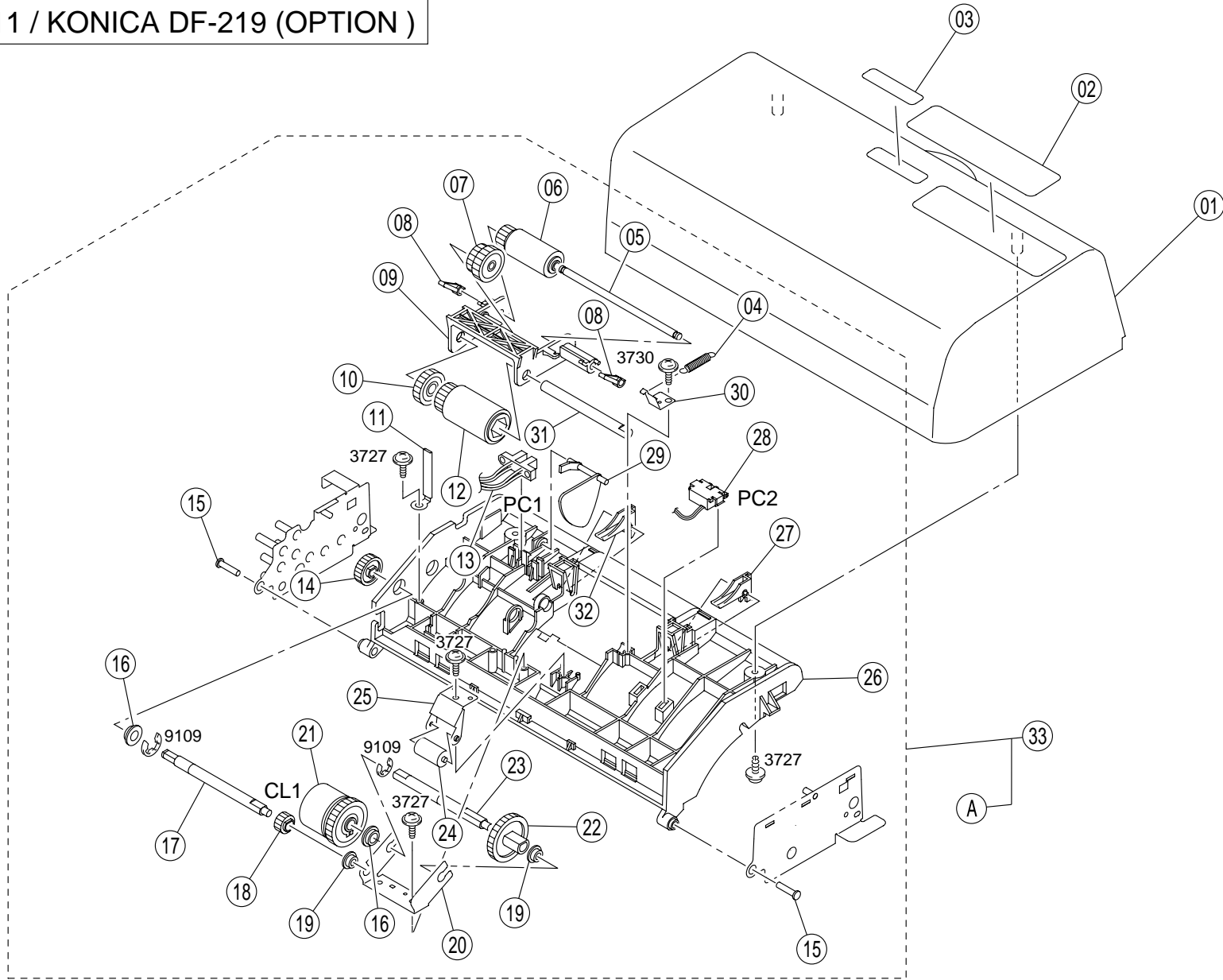
AF-11 / KONICA DF-219 (OPTION)



INDEX	PART NO.	PART NAME	REC	QTY	INDEX	PART NO.	PART NAME	REC	QTY
01	4980-1030-01	TRAY		1	19	4980-1038-01 NS	GUIDE		1
02	4980-1043-01 NS	WEIGHT		2					
03	4980-1033-01	HINGE		1					
04	4980-1031-01	COVER		1					
05	4980-1003-01	ADF PCB ASSY (PWB-A AF)	RP	1					
06	4980-1035-01	WIRE HARNESS ASSY		1					
07	4980-1034-01	HINGE ASSY		1					
08	4980-1002-01	SOLID STATE SWITCH EDGE DET. (PC3)		1					
09	4980-1041-01	ACTUATOR		1					
10	4980-1042-01	ROLLER		3					
11	4980-1048-01 NS	SHAFT		1					
12	4980-1040-01 NS	PLATE SPRING		4					
13	4980-1044-01 NS	GUIDE		1					
14	4980-1045-01 NS	MAT		1					
15	4647-1128-01	MAGNET		1					
16	4980-1032-01	COVER		1					
17	4980-1036-01	ROLLER		2					
18	4980-1037-01 NS	PRESSURE SPRING		2					

INDEX	PART NO.	PART NAME	REC	QTY	SFIX

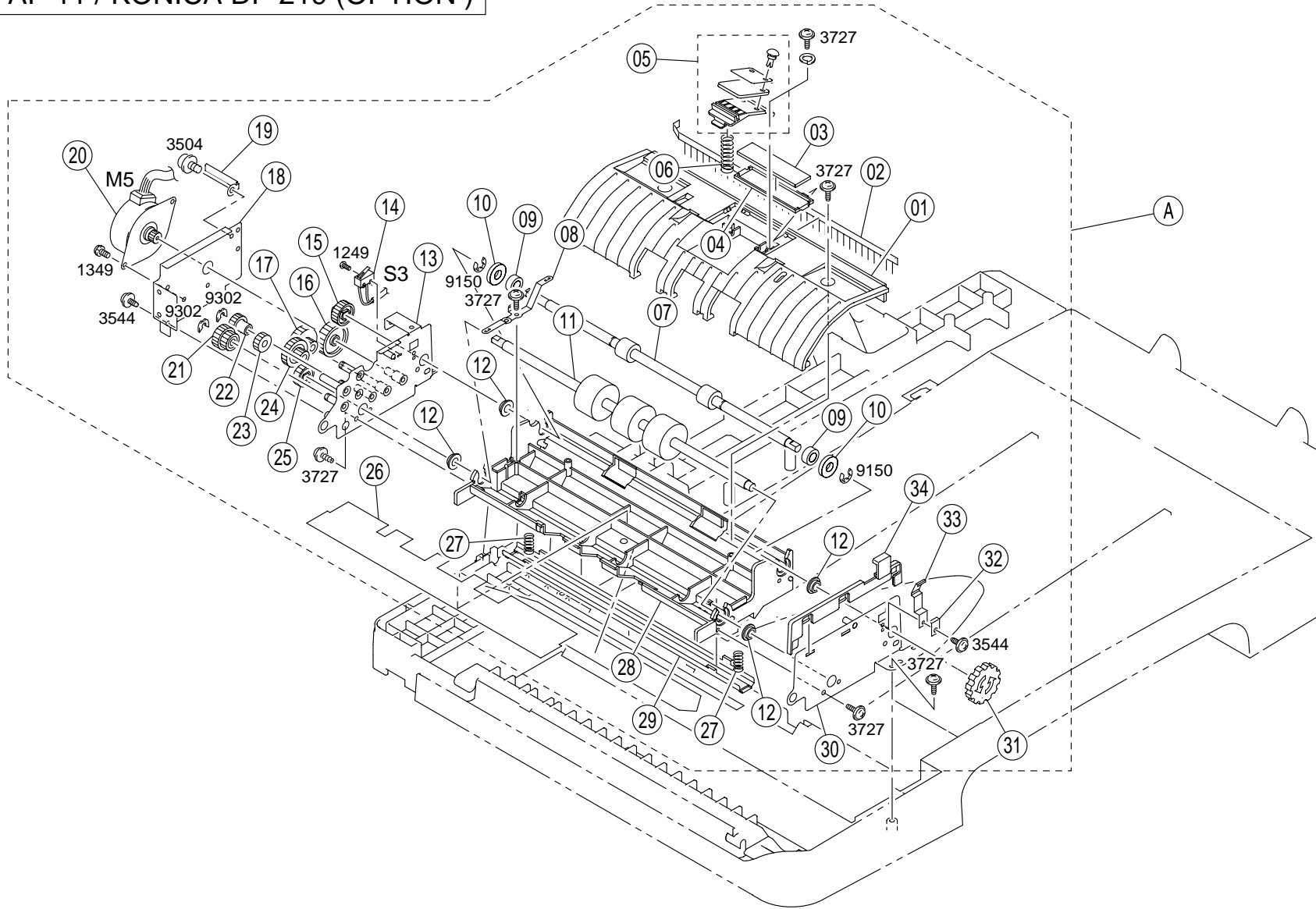
AF-11 / KONICA DF-219 (OPTION)



INDEX	PART NO.	PART NAME	REC	QTY	INDEX	PART NO.	PART NAME	REC	QTY
01	4980-1029-01	COVER		1	19	4980-1064-01	BUSHING		2
02	4980-1047-01	NS LABEL		1	20	4980-1063-01	NS BRACKET		1
03	4980-1046-01	NS LABEL		1	21	4647-1040-01	MAGNETIC CLUTCH (CL1)		1
04	4980-1056-01	NS TENSION SPRING		1	22	4980-1066-01	GEAR		1
05	4980-1061-01	NS SHAFT		1	23	4980-1067-01	NS SHAFT		1
06	4980-1008-01	PICK-UP ROLLER	RP	1	24	4980-1054-01	ROLLER		1
07	4647-1146-01	GEAR		1	25	4980-1053-01	NS PLATE SPRING		1
08	4980-1060-01	STOPPER		2	26	4980-1049-01	GUIDE PLATE		1
09	4980-1059-01	NS HOLDER		1	27	4980-1058-01	SHUTTER		1
10	4647-1144-01	GEAR		1	28	4980-1057-01	MICRO-SWITCH TAKE-UP (PC2)		1
11	4980-1096-01	NS CABLE TIE		1	29	4980-1052-01	ACTUATOR		1
12	4980-1007-01	ADF ROLLER		1	30	4980-1055-01	NS PLATE SPRING		1
13	4980-1009-01	SENSOR(DOC) (PC1)		1	31	4980-1062-01	NS SHAFT		1
14	4980-1072-01	GEAR		1	32	4980-1069-01	SHUTTER		1
15	4980-1097-01	NS PIN		1	33	4980-1028-01	ADF ASSY		1
16	4980-1065-01	BUSHING		2					
17	4980-1071-01	NS SHAFT		1					
18	4980-1070-01	GEAR		1					

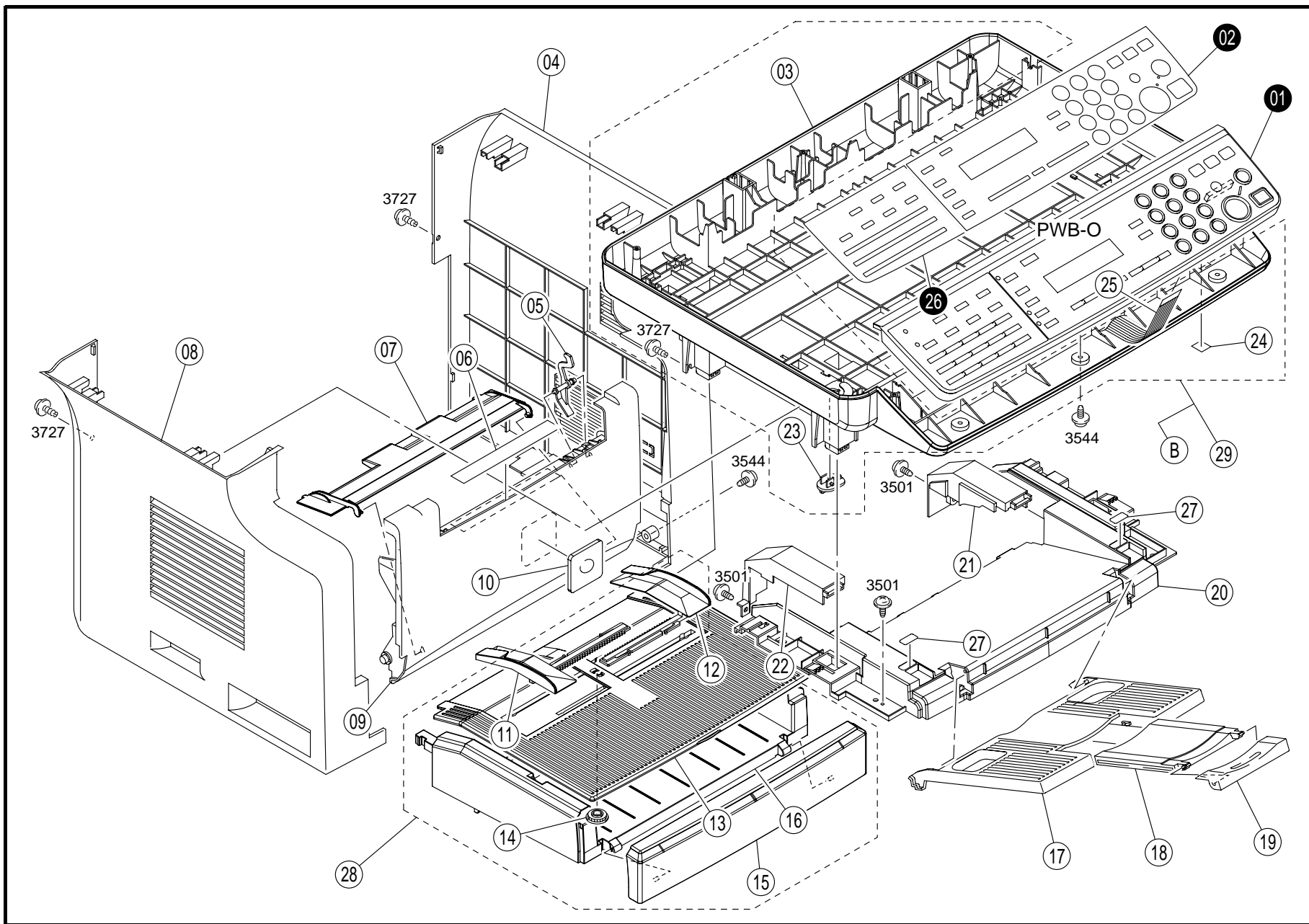
INDEX	PART NO.	PART NAME	REC	QTY	SFIX

AF-11 / KONICA DF-219 (OPTION)



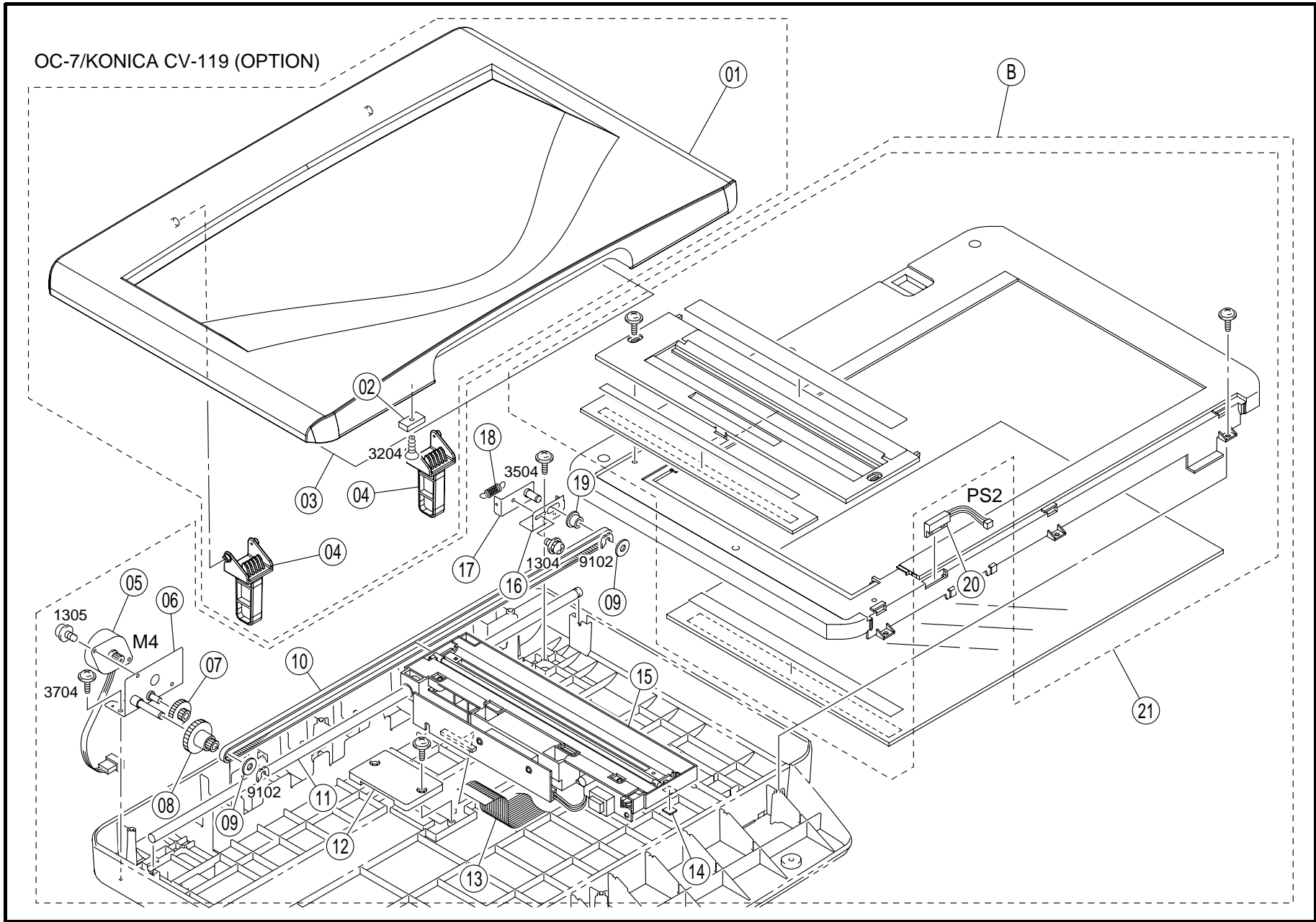
INDEX	PART NO.	PART NAME	REC	QTY	INDEX	PART NO.	PART NAME	REC	QTY
01	4980-1050-01	COVER		1	19	4980-1096-01 NS	CABLE TIE		1
02	4980-1098-01 NS	NEUTRALIZING BRUSH		1	20	4980-1024-01	MOTOR AF MAIN (M5)		1
03	4980-1075-01	SEPARATOR MEMBER		1	21	4980-1093-01	GEAR		1
04	4980-1074-01	HOLDER		1	22	4980-1090-01	GEAR		1
05	4980-1006-01	PAD ASSY	RP	1	23	4980-1091-01	GEAR		1
06	4980-1073-01 NS	PRESSURE SPRING		1	24	4980-1089-01	GEAR		1
07	4980-1005-01	EXIT ROLLER		1	25	4980-1094-01	GEAR		1
08	4980-1076-01 NS	EARTH GROUND		1	26	4980-1039-01 NS	SHIELD PLATE		1
09	4980-1078-01	COLLAR		2	27	4980-1092-01 NS	PRESSURE SPRING		2
10	4980-1079-01	COLLAR		2	28	4980-1051-01 NS	BASE FRAME		1
11	4980-1004-01	TURNING ROLLER		1	29	4980-1077-01 NS	GUIDE PLATE		1
12	4980-1065-01	BUSHING		4	30	4980-1081-01 NS	BRACKET		1
13	4980-1086-01 NS	BRACKET		1	31	4980-1085-01	KNOB		1
14	4980-1010-01	MICRO SWITCH(COVER) AF DOOR (S3)		1	32	4980-1084-01 NS	PLATE SPRING		2
15	4980-1080-01	GEAR		1	33	4980-1083-01 NS	PLATE SPRING		2
16	4980-1087-01	GEAR		1	34	4980-1082-01 NS	COVER		1
17	4980-1088-01	GEAR		1					
18	4980-1095-01 NS	BRACKET		1					

INDEX	PART NO.	PART NAME	REC	QTY	SFIX

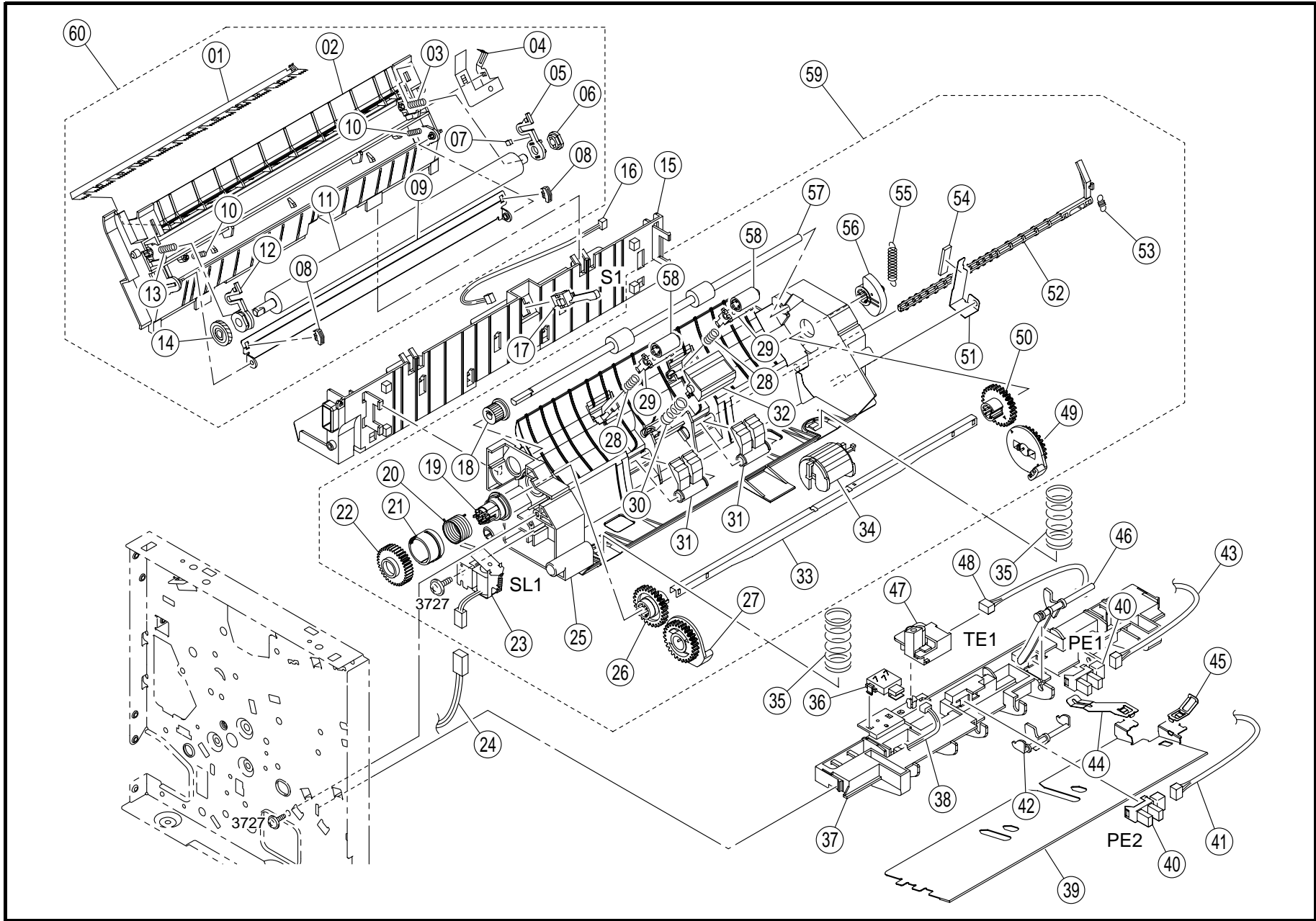


INDEX	PART NO.	PART NAME	REC	QTY	INDEX	PART NO.	PART NAME	REC	QTY
03	4980-1100-01	FRAME		1	21	4137-1011-01 NS	COVER		1
04	4980-1142-01	COVER		1	22	4137-1012-02 NS	COVER		1
05	4136-1021-02	LEVER		1	23	4980-1112-01 NS	STOPPER		1
06	4137-7302-01 NS	LABEL		1	24	4980-1113-01 NS	SEAL		1
07	4136-1020-03	COVER		1	25	4980-1027-01	PANEL FFC		1
08	4980-1141-01	COVER		1	27	4137-7301-01 NS	LABEL		2
09	4137-1003-04	COVER		1	28	4137-0754-00	TRAY ASSY		1
10	4137-7400-01	LABEL		1	29	4980-1156-01	IR UNIT ASSY		1
11	4137-3203-01 NS	REGULATING PLATE		1					
12	4137-3202-01 NS	REGULATING PLATE		1					
13	4137-1009-01 NS	COVER		1					
14	4127-3104-01	GEAR		1					
15	4137-1006-01	COVER		1					
16	4137-1008-01	TRAY		1					
17	4137-1007-03	TRAY		1					
18	4137-1017-03	TRAY		1					
19	4137-1018-01	TRAY		1					
20	4137-1001-03	COVER		1					

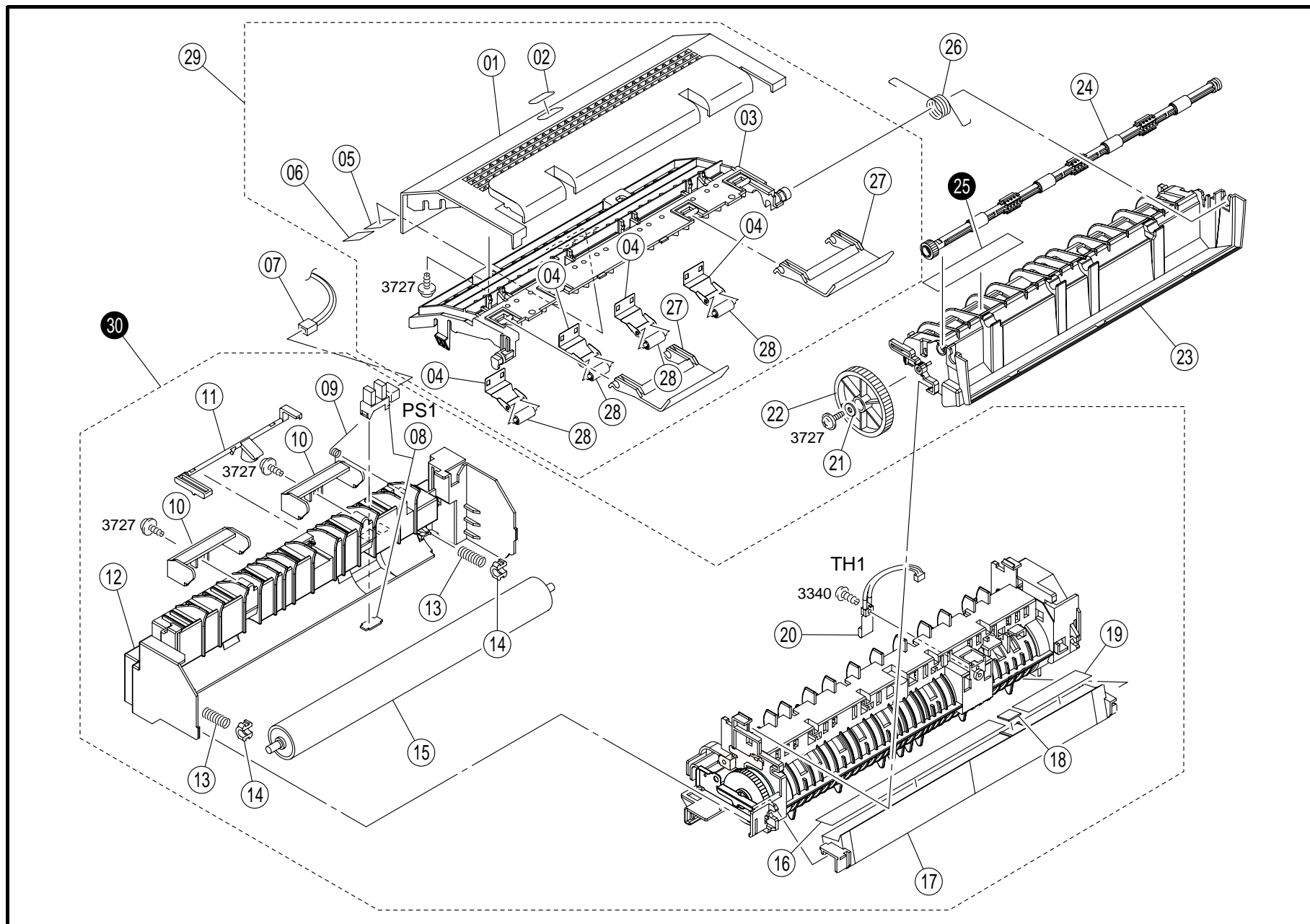
INDEX	PART NO.	PART NAME	REC	QTY	SFIX
01	4980-1154-01	OPERATION PANEL (PWB-O)	RP	1	251, 252, 253, 254, 271, 272, 351, 352, 353, 372
01	4980-1155-01	OPERATION PANEL (PWB-O)	RP	1	261, 262, 263, 264, 281, 282, 361, 362, 363, 367, 381, 382
02	4980-1116-01	PANEL SHEET		1	351
02	4980-1117-01	PANEL SHEET		1	252, 253, 254, 353
02	4980-1128-01	PANEL SHEET		1	361, 367
02	4980-1129-01	PANEL SHEET		1	262, 263, 264, 363
26	4980-1115-01	PANEL SHEET		1	251, 252, 253, 254, 271, 272, 351, 352, 353, 372



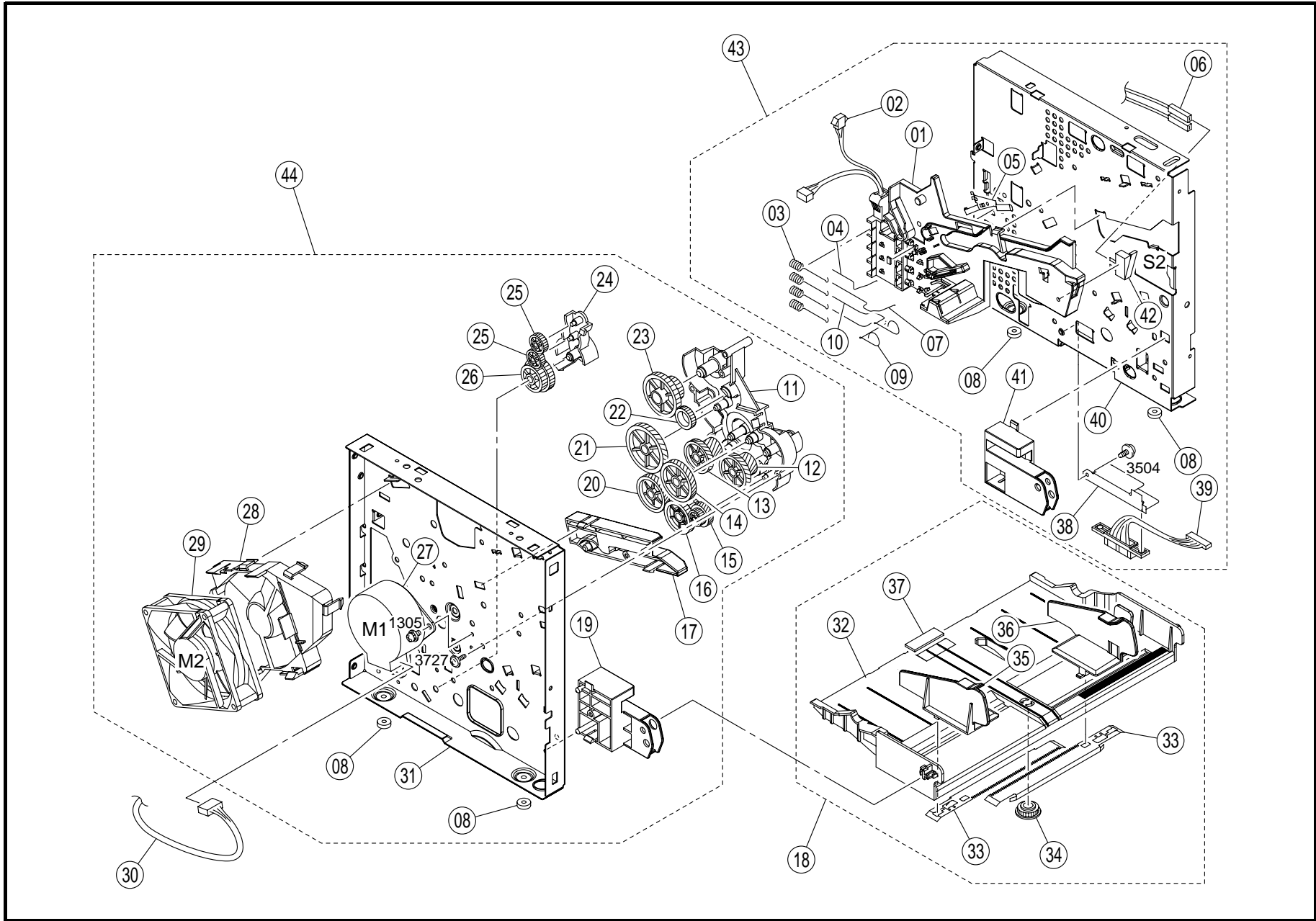
INDEX	PART NO.	PART NAME		REC	QTY	INDEX	PART NO.	PART NAME		REC	QTY
01	4980-1158-01	ORIGINAL COVER	OPTION		1	19	4980-1111-01	PULLEY			1
02	4647-1128-01	MAGNET	OPTION		1	20	4647-1039-01	MAGNETIC SW	COVER SET (PS2)		1
03	4980-1160-01	NS MAT	OPTION		1	21	4980-1099-01	TOP COVER ASSY			1
04	4980-1159-01	HINGE	OPTION		2						
05	4980-1025-01	PM MOTOR	SCANNER (M4)		1						
06	4980-1103-01	NS BRACKET			1						
07	4980-1106-01	GEAR			1						
08	4980-1104-01	GEAR			1						
09	4980-1105-01	COLLAR			2						
10	4980-1102-01	NS BELT			1						
11	4980-1101-01	NS SHAFT			1						
12	4980-1107-01	NS COVER			1						
13	4980-1026-01	CCD FFC			1						
14	4980-1114-01	NS SLIDER			1						
15	4980-1001-01	CCD MODULE			1						
16	4980-1110-01	NS HOLDER			1						
17	4980-1109-01	NS SHAFT ASSY			1						
18	4980-1108-01	NS TENSION SPRING			1						
INDEX	PART NO.	PART NAME		REC	QTY	SFIX					



INDEX	PART NO.	PART NAME	REC	QTY	INDEX	PART NO.	PART NAME	REC	QTY
01	4136-4113-02	NS NEUTRALIZING NEEDLE		1	31	4136-3022-01	NS STOPPER		2
02	4136-4102-04	NS HOLDER		1	32	4136-0151-02	FRICITION SHEET ASSY	RP	1
03	4127-4108-01	PRESSURE SPRING		1	33	4136-3039-01	NS SHAFT		1
04	4136-4114-02	NS CONTACT		1	34	4136-3001-01	ROLLER	RP	1
05	4136-4105-01	BUSHING		1	35	4136-3016-02	NS PRESSURE SPRING		2
06	4127-4106-01	CONDUCTIVE MEMBER		1	36	4136-6751-01	CONNECTOR PIN		1
07	4127-4109-01	CUSHION		1	37	4137-3020-02	NS HOLDER		1
08	4136-4133-01	NS SPACER		2	38	4137-6818-02	NS WIRE HARNESS ASSY		1
09	4136-4132-01	NS GUIDE PLATE		1	39	4137-3201-01	NS TRAY		1
10	4127-4135-01	PRESSURE SPRING		2	40	9335-1910-41	SOLID STATE SWITCH	EMPTY (PE1.2)	2
11	4136-4103-01	TRANSFER ROLLER	RP	1	41	4137-6825-02	NS WIRE HARNESS ASSY		1
12	4136-4104-01	BUSHING		1	42	4137-3221-01	ACTUATOR		1
13	4127-4107-01	PRESSURE SPRING		1	43	4137-6809-01	NS WIRE HARNESS ASSY		1
14	4127-4111-01	GEAR		1	44	4137-3205-01	NS EARTH GROUND		1
15	4136-4109-06	GUIDE		1	45	4137-3204-01	NS EARTH GROUND		1
16	4137-6808-01	NS WIRE HARNESS ASSY		1	46	4136-3021-01	ACTUATOR		1
17	4136-6301-02	MICRO-SWITCH	TAKE-UP (S1)	1	47	4127-0113-01	PWB ASSY	EMPTY (TE1)	1
18	4136-3014-02	GEAR		1	48	4137-6824-03	NS WIRE HARNESS ASSY		1
19	4136-3036-01	DRUM		1	49	4136-3043-01	CAM		1
20	4136-3037-01	TORSION SPRING	RP	1	50	4136-3047-01	GEAR		1
21	4136-3038-01	RATCHET		1	51	4136-3046-01	PLATE SPRING		1
22	4136-3035-01	GEAR		1	52	4136-3025-01	LEVER		1
23	9321-2300-11	SOLENOID	TAKE-UP (SL1)	1	53	4136-3027-01	TENSION SPRING		1
24	4137-6803-02	NS WIRE HARNESS ASSY		1	54	4136-3049-01	FRICITION SHEET		1
25	4136-3501-04	GUIDE		1	55	4136-3045-01	TENSION SPRING		1
26	4136-3048-01	GEAR		1	56	4136-3026-01	CAM		1
27	4136-3044-01	CAM		1	57	4136-3002-01	ROLLER		1
28	4136-3018-01	NS PRESSURE SPRING		2	58	4136-3006-01	NS ROLL		2
29	4136-3009-02	NS HOLDER		2	59	4136-0781-00	PAPER TAKE UP ASSY		1
30	4127-3041-02	PRESSURE SPRING		1	60	4137-0757-00	TRANSFER ASSY		1
INDEX	PART NO.	PART NAME	REC	QTY	SFIX				

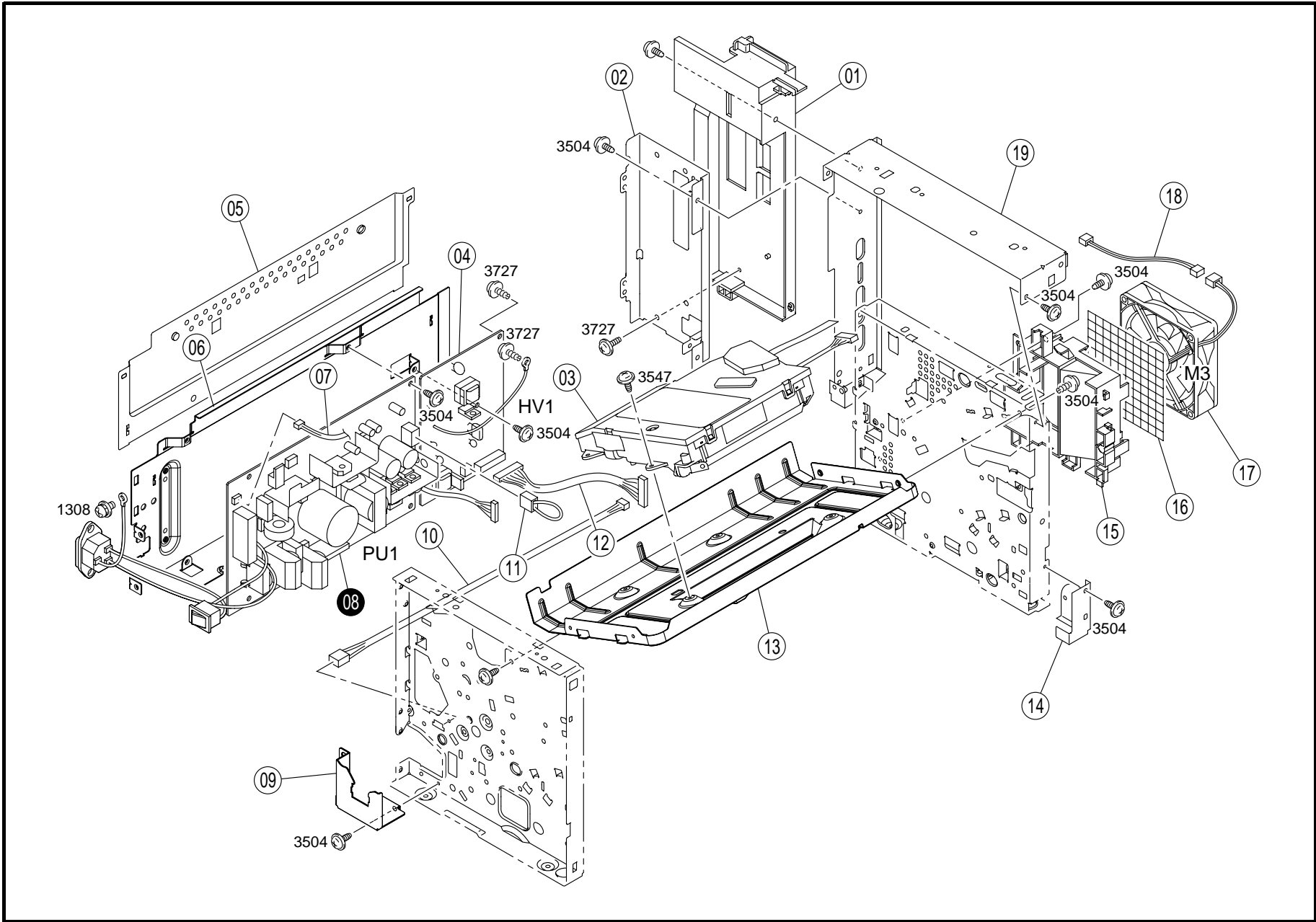


INDEX	PART NO.	PART NAME	REC	QTY	INDEX	PART NO.	PART NAME	REC	QTY
01	4137-1036-03	NS COVER		1	19	4136-5599-01	NS SEAL		1
02	4137-7301-01	NS LABEL		1	20	4136-6702-01	THERMISTOR FUSING (TH1)		1
03	4137-1004-06	NS GUIDE		1	21	4111-2531-01	WASHER		1
04	4136-3709-02	NS SPRING		4	22	4136-3714-01	GEAR		1
05	4136-7326-02	NS LABEL		1	23	4137-1005-02	NS GUIDE		1
06	4136-7325-02	NS LABEL		1	24	4136-3730-03	ROLLER		1
07	4137-6802-01	NS WIRE HARNESS ASSY		1	26	4137-1024-02	TORSION SPRING		1
08	4136-0901-01	PHOTO INTERRUPTER EXIT (PS1)		1	27	4137-3763-01	NS LEVER		2
09	4136-3716-01	TORSION SPRING		1	28	4127-3707-01	ROLL		4
10	4137-5545-02	NS GUIDE		2	29	4137-0755-00	GUIDE ASSY		1
11	4136-5518-02	ACTUATOR		1					
12	4136-5505-05	NS HOUSING		1					
13	4136-5517-02	NS PRESSURE SPRING		2					
14	4127-5571-01	BUSHING		2					
15	4136-5502-01	ROLLER		1					
16	4136-5598-01	NS SEAL		1					
17	4136-5503-03	NS GUIDE		1					
18	4136-5531-01	NS BRUSH		1					
INDEX	PART NO.	PART NAME	REC	QTY	SFIX				
25	4136-7321-01	NS LABEL		1	372				
25	4137-7303-01	NS LABEL		1	271, 272				
30	4137-0751-00	FUSING UNIT	RP	1	372				
30	4137-0752-00	FUSING UNIT	RP	1	271, 272				

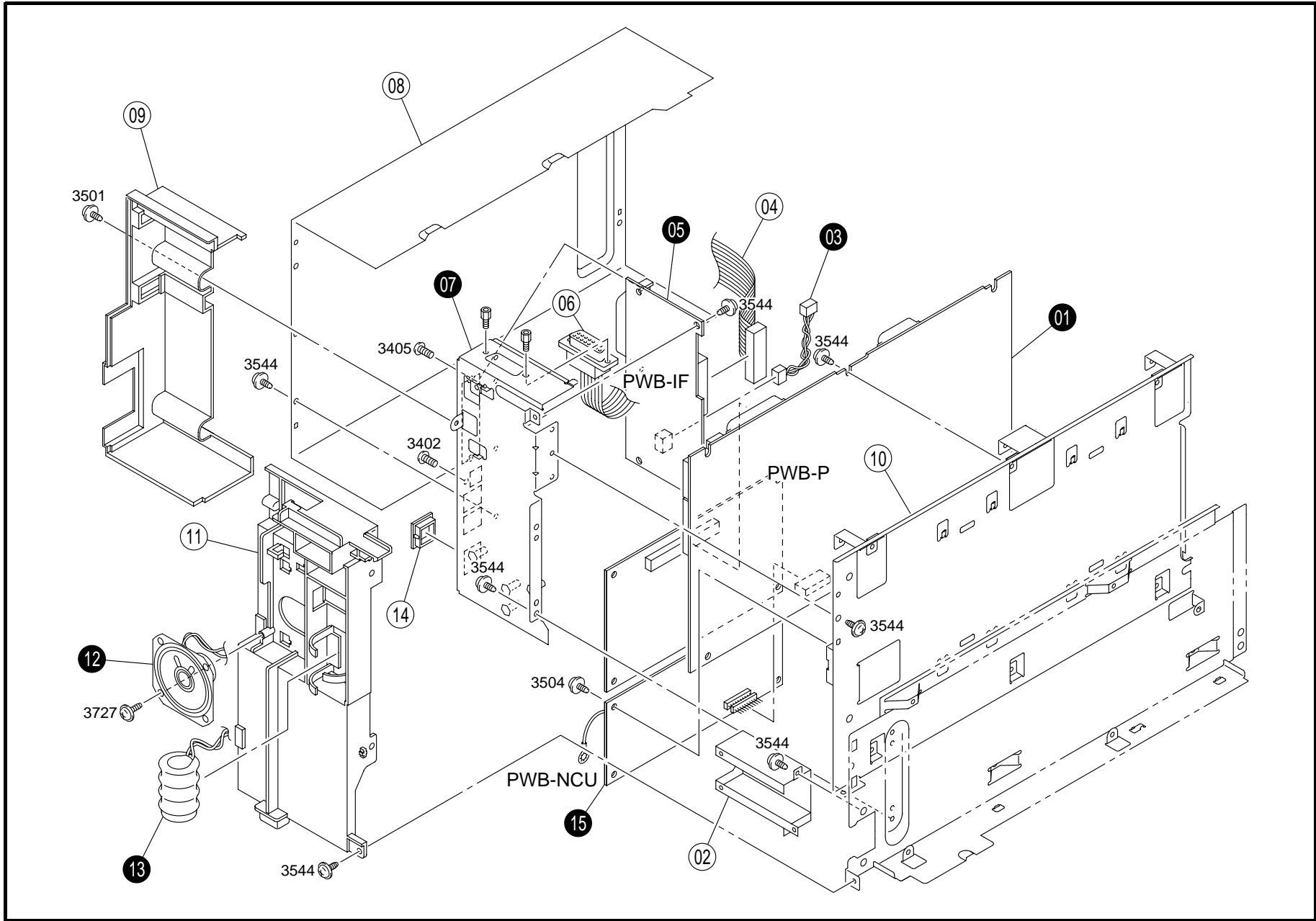


INDEX	PART NO.	PART NAME	REC	QTY	INDEX	PART NO.	PART NAME	REC	QTY
01	4137-2011-02	NS GUIDE		1	23	4136-2509-01	NS GEAR		1
02	4136-6805-02	NS WIRE HARNESS ASSY		1	24	4136-2527-01	NS HOLDER		1
03	4136-2008-03	NS CONTACT		4	25	4136-2510-01	NS GEAR		2
04	4136-2006-02	NS CONTACT		1	26	4136-2511-01	NS GEAR		1
05	4136-2012-02	NS EARTH GROUND		1	27	9314-1201-31	MOTOR MAIN (M1)		1
06	4137-6807-02	NS WIRE HARNESS ASSY		1	28	4136-2310-02	NS DUCT		1
07	4136-2007-01	NS CONTACT		1	29	9313-1300-12	FAN MOTOR L.COOLING (M2)		1
08	4136-2015-01	RUBBER FOOT		4	30	4136-6810-03	WIRE HARNESS ASSY		1
09	4136-2009-02	NS CONTACT		1	31	4136-2005-04	NS FRAME		1
10	4136-2010-02	NS CONTACT		1	32	4136-3005-04	NS LIFTING PLATE		1
11	4136-2526-03	NS HOLDER		1	33	4136-3101-01	NS RACK		2
12	4136-2504-01	NS GEAR		1	34	4127-3104-01	GEAR		1
13	4136-2502-01	NS GEAR		1	35	4137-3103-01	NS REGULATING PLATE		1
14	4136-2503-01	NS GEAR		1	36	4137-3102-02	NS REGULATING PLATE		1
15	4136-2505-01	NS GEAR		1	37	4136-3013-01	FRICTION SHEET		1
16	4136-2506-01	NS GEAR		1	38	4136-2102-01	NS BRACKET		1
17	4137-2524-13	NS GUIDE		1	39	4137-6806-02	NS WIRE HARNESS ASSY		1
18	4137-0753-00	REGULATING PLATE ASSY		1	40	4136-2004-04	NS FRAME		1
19	4136-2019-03	NS HOLDER		1	41	4136-2018-02	NS HOLDER		1
20	4136-2501-01	NS GEAR		1	42	9331-2200-31	MICRO-SWITCH DOOR (S2)		1
21	4136-2507-01	NS GEAR		1	43	4137-0756-00	RIGHT FRAME ASSY		1
22	4136-2508-01	NS GEAR		1	44	4137-0759-00	LEFT FRAME ASSY		1

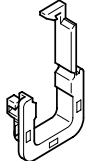
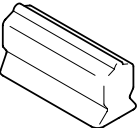
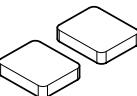
INDEX	PART NO.	PART NAME	REC	QTY	SFIX



INDEX	PART NO.	PART NAME	REC	QTY	INDEX	PART NO.	PART NAME	REC	QTY
01	4980-1144-01	NS COVER		1					
02	4980-1143-01	NS SHIELD		1					
03	4137-0758-00	PRINT HEAD ASSY	RP	1					
04	4136-6205-03	HV TRANSFORMER (HV1)		1					
05	4136-2055-04	NS FRAME		1					
06	4137-2302-02	NS FRAME		1					
07	4137-6828-02	NS WIRE HARNESS ASSY		1					
09	4136-2032-04	NS BRACKET		1					
10	4137-6812-01	NS WIRE HARNESS ASSY		1					
11	4137-6829-01	NS WIRE HARNESS ASSY		1					
12	4136-6804-01	WIRE HARNESS ASSY		1					
13	4136-2001-02	NS BASE FRAME		1					
14	4137-2007-01	NS REINFORCE PLATE		1					
15	4137-2311-02	NS DUCT		1					
16	4137-2312-01	NS FILTER		1					
17	9313-1300-12	FAN MOTOR R.COOLING (M3)		1					
18	4137-6827-02	NS WIRE HARNESS ASSY		1					
19	4137-2006-02	NS REINFORCE PLATE		1					
INDEX	PART NO.	PART NAME	REC	QTY	SFIX				
08	4137-6201-02	POWER SUPPLY (PU1)		1	372				
08	4137-6202-02	POWER SUPPLY (PU1)		1	271, 272				



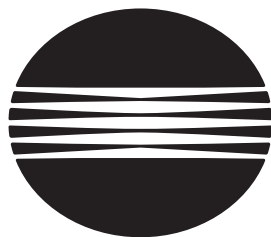
INDEX	PART NO.	PART NAME	REC	QTY	INDEX	PART NO.	PART NAME	REC	QTY
02	4980-1145-01	NS BRACKET		1					
04	4980-1162-01	NS WIRE HARNESS ASSY		1					
06	4980-1163-01	NS WIRE HARNESS ASSY		1					
08	4980-1153-01	NS SHIELD BOX		1					
09	4980-1149-01	NS COVER		1					
10	4980-1146-01	NS BRACKET		1					
11	4980-1152-01	NS COVER		1					
14	4980-1164-01	NS COVER		1					
INDEX	PART NO.	PART NAME	REC	QTY	SFIX				
01	4980-1016-01	MAIN BOARD ASSY(COPY/GD CONTROL (PWB-P)	RP	1	261, 262, 263, 264, 281, 282, 361, 362, 363, 367, 381, 382				
01	4980-1018-01	MAIN BOARD ASSY(FAX/GDI) CONTROL (PWB-P)	RP	1	251, 252, 253, 254, 271, 272, 351, 352, 353, 372				
03	4980-1151-01	NS WIRE HARNESS ASSY		1	251, 252, 253, 254, 271, 272, 351, 352, 353, 372				
05	4980-1014-01	PLATE BOARD ASSY(COPY) (PWB-IF)	RP	1	261, 262, 263, 264, 281, 282, 361, 362, 363, 367, 381, 382				
05	4980-1015-01	PLATE BOARD ASSY(FAX) (PWB-IF)	RP	1	251, 252, 253, 254, 271, 272, 351, 352, 353, 372				
07	4980-1147-01	NS BRACKET		1	251, 252, 253, 254, 271, 272, 351, 352, 353, 372				
07	4980-1148-01	NS BRACKET		1	261, 262, 263, 264, 281, 282, 361, 362, 363, 367, 381, 382				
12	4980-1023-01	SPEAKER ASSY		1	251, 252, 253, 254, 271, 272, 351, 352, 353, 372				
13	4980-1022-01	BATTERY		1	251, 252, 253, 254, 271, 272, 351, 352, 353, 372				
15	4980-1020-01	NCU PWB (PWB-NCU)	RP	1	251, 252, 253, 254, 271, 272, 351, 352, 353, 372				

<p>01</p> 							
<p>02, 03</p> 							
<p>04</p> 							

INDEX	PART NO.	PART NAME	REC	QTY	INDEX	PART NO.	PART NAME	REC	QTY
01	9384-2910-31	EDGE COVER		1					
02	9384-2300-11 NS	EDGE COVER		2					
03	9384-2300-21 NS	EDGE COVER		1					
04	4980-1157-01 NS	BIOS ROM		1					

INDEX	PART NO.	PART NAME	REC	QTY	SFIX

PART NO.	FIG.	INDEX	QTY		PART NO.	FIG.	INDEX	QTY		PART NO.	FIG.	INDEX	QTY		PART NO.	FIG.	INDEX	QTY	
4111-2531-01	07	21	1		4136-3047-01	06	50	1		4137-3202-01	04	12	1		4980-1044-01	01	13	1	
4127-0113-01	06	47	1		4136-3048-01	06	26	1		4137-3203-01	04	11	1		4980-1045-01	01	14	1	
4127-3041-02	06	30	1		4136-3049-01	06	54	1		4137-3204-01	06	45	1		4980-1046-01	02	03	1	
4127-3104-01	04	14	1		4136-3101-01	08	33	2		4137-3205-01	06	44	1		4980-1047-01	02	02	1	
4127-3104-01	08	34	1		4136-3501-04	06	25	1		4137-3221-01	06	42	1		4980-1048-01	01	11	1	
4127-3707-01	07	28	4		4136-3709-02	07	04	4		4137-3763-01	07	27	2		4980-1049-01	02	26	1	
4127-4106-01	06	06	1		4136-3714-01	07	22	1		4137-5545-02	07	10	2		4980-1050-01	03	01	1	
4127-4107-01	06	13	1		4136-3716-01	07	09	1		4137-6201-02	09	08	1		4980-1051-01	03	28	1	
4127-4108-01	06	03	1		4136-3730-03	07	24	1		4137-6202-02	09	08	1		4980-1052-01	02	29	1	
4127-4109-01	06	07	1		4136-4102-04	06	02	1		4137-6802-01	07	07	1		4980-1053-01	02	25	1	
4127-4111-01	06	14	1		4136-4103-01	06	11	1		4137-6803-02	06	24	1		4980-1054-01	02	24	1	
4127-4135-01	06	10	2		4136-4104-01	06	12	1		4137-6806-02	08	39	1		4980-1055-01	02	30	1	
4127-5571-01	07	14	2		4136-4105-01	06	05	1		4137-6807-02	08	06	1		4980-1056-01	02	04	1	
4136-0151-02	06	32	1		4136-4109-06	06	15	1		4137-6808-01	06	16	1		4980-1057-01	02	28	1	
4136-0781-00	06	59	1		4136-4113-02	06	01	1		4137-6809-01	06	43	1		4980-1058-01	02	27	1	
4136-0901-01	07	08	1		4136-4114-02	06	04	1		4137-6812-01	09	10	1		4980-1059-01	02	09	1	
4136-1020-03	04	07	1		4136-4132-01	06	09	1		4137-6818-02	06	38	1		4980-1060-01	02	08	2	
4136-1021-02	04	05	1		4136-4133-01	06	08	2		4137-6824-03	06	48	1		4980-1061-01	02	05	1	
4136-2001-02	09	13	1		4136-5502-01	07	15	1		4137-6825-02	06	41	1		4980-1062-01	02	31	1	
4136-2004-04	08	40	1		4136-5503-03	07	17	1		4137-6827-02	09	18	1		4980-1063-01	02	20	1	
4136-2005-04	08	31	1		4136-5505-05	07	12	1		4137-6828-02	09	07	1		4980-1064-01	02	19	2	
4136-2006-02	08	04	1		4136-5517-02	07	13	2		4137-6829-01	09	11	1		4980-1065-01	02	16	2	
4136-2007-01	08	07	1		4136-5518-02	07	11	1		4137-7301-01	04	27	2		4980-1065-01	03	12	4	
4136-2008-03	08	03	4		4136-5531-01	07	18	1		4137-7301-01	07	02	1		4980-1066-01	02	22	1	
4136-2009-02	08	09	1		4136-5598-01	07	16	1		4137-7302-01	04	06	1		4980-1067-01	02	23	1	
4136-2010-02	08	10	1		4136-5599-01	07	19	1		4137-7303-01	07	25	1		4980-1069-01	02	32	1	
4136-2012-02	08	05	1		4136-6205-03	09	04	1		4137-7400-01	04	10	1		4980-1070-01	02	18	1	
4136-2015-01	08	08	4		4136-6301-02	06	17	1		4647-1039-01	05	20	1		4980-1071-01	02	17	1	
4136-2018-02	08	41	1		4136-6702-01	07	20	1		4647-1040-01	02	21	1		4980-1072-01	02	14	1	
4136-2019-03	08	19	1		4136-6751-01	06	36	1		4647-1128-01	01	15	1		4980-1073-01	03	06	1	
4136-2032-04	09	09	1		4136-6804-01	09	12	1		4647-1128-01	05	02	1		4980-1074-01	03	04	1	
4136-2055-04	09	05	1		4136-6805-02	08	02	1		4647-1144-01	02	10	1		4980-1075-01	03	03	1	
4136-2102-01	08	38	1		4136-6810-03	08	30	1		4647-1146-01	02	07	1		4980-1076-01	03	08	1	
4136-2310-02	08	28	1		4136-7321-01	07	25	1		4980-1001-01	05	15	1		4980-1077-01	03	29	1	
4136-2501-01	08	20	1		4136-7325-02	07	06	1		4980-1002-01	01	08	1		4980-1078-01	03	09	2	
4136-2502-01	08	13	1		4136-7326-02	07	05	1		4980-1003-01	01	05	1		4980-1079-01	03	10	2	
4136-2503-01	08	14	1		4137-0751-00	07	30	1		4980-1004-01	03	11	1		4980-1080-01	03	15	1	
4136-2504-01	08	12	1		4137-0752-00	07	30	1		4980-1005-01	03	07	1		4980-1081-01	03	30	1	
4136-2505-01	08	15	1		4137-0753-00	08	18	1		4980-1006-01	03	05	1		4980-1082-01	03	34	1	
4136-2506-01	08	16	1		4137-0754-00	04	28	1		4980-1007-01	02	12	1		4980-1083-01	03	33	2	
4136-2507-01	08	21	1		4137-0755-00	07	29	1		4980-1008-01	02	06	1		4980-1084-01	03	32	2	
4136-2508-01	08	22	1		4137-0756-00	08	43	1		4980-1009-01	02	13	1		4980-1085-01	03	31	1	
4136-2509-01	08	23	1		4137-0757-00	06	60	1		4980-1010-01	03	14	1		4980-1086-01	03	13	1	
4136-2510-01	08	25	2		4137-0758-00	09	03	1		4980-1014-01	10	05	1		4980-1087-01	03	16	1	
4136-2511-01	08	26	1		4137-0759-00	08	44	1		4980-1015-01	10	05	1		4980-1088-01	03	17	1	
4136-2526-03	08	11	1		4137-1001-03	04	20	1		4980-1016-01	10	01	1		4980-1089-01	03	24	1	
4136-2527-01	08	24	1		4137-1003-04	04	09	1		4980-1018-01	10	01	1		4980-1090-01	03	22	1	
4136-3001-01	06	34	1		4137-1004-06	07	03	1		4980-1020-01	10	15	1		4980-1091-01	03	23	1	
4136-3002-01	06	57	1		4137-1005-02	07	23	1		4980-1022-01	10	13	1		4980-1092-01	03	27	2	
4136-3005-04	08	32	1		4137-1006-01	04	15	1		4980-1023-01	10	12	1		4980-1093-01	03	21	1	
4136-3006-01	06	58	2		4137-1007-03	04	17	1		4980-1024-01	03	20	1		4980-1094-01	03	25	1	
4136-3009-02	06	29	2		4137-1008-01	04	16	1		4980-1025-01	05	05	1		4980-1095-01	03	18	1	
4136-3013-01	08	37	1		4137-1009-01	04	13	1		4980-1026-01	05	13	1		4980-1096-01	02	11	1	
4136-3014-02	06	18	1		4137-1011-01	04	21	1		4980-1027-01	04	25	1		4980-1096-01	03	19	1	
4136-3016-02	06	35	2		4137-1012-02	04	22	1		4980-1028-01	02	33	1		4980-1097-01	02	15	1	
4136-3018-01	06	28	2		4137-1017-03	04	18	1		4980-1029-01	02	01	1		4980-1098-01	03	02	1	
4136-3021-01	06	46	1		4137-1018-01	04	19	1		4980-1030-01	01	01	1		4980-1099-01	05	21	1	
4136-3022-01	06	31	2		4137-1024-02	07	26	1		4980-1031-01	01	04	1		4980-1100-01	04	03	1	
4136-3025-01	06	52	1		4137-1036-03	07	01	1		4980-1032-01	01	16	1		4980-1101-01	05	11	1	
4136-3026-01	06	56	1		4137-2006-02	09	19	1		4980-1033-01	01	03	1		4980-1102-01	05	10	1	
4136-3027-01	06	53	1		4137-2007-01	09	14	1		4980-1034-01	01	07	1		4980-1103-01	05	06	1	
4136-3035-01	06	22	1		4137-2011-02	08	01	1		4980-1035-01	01	06	1		4980-1104-01	05	08	1	
4136-3036-01	06	19	1		4137-2302-02	09	06	1		4980-1036-01	01	17	2		4980-1105-01	05	09	2	
4136-3037-01	06	20	1		4137-2311-02	09	15	1		4980-1037-01	01	18	2		4980-1106-01	05	07	1	
4136-3038-01	06	21	1		4137-2312-01	09	16	1		4980-1038-01	01	19	1		4980-1107-01	05	12	1	
4136-3039-01	06	33	1		4137-2524-13	08	17	1		4980-1039-01	03	26	1		4980-1108-01	05	18	1	
4136-3043-01	06	49	1		4137-3020-02	06	37	1		4980-1040-01	01	12	4		4980-1109-01	05	17	1	
4136-3044-01	06	27	1		4137-3102-02	08	36	1		4980-1041-01	01	09	1		4980-1110-01	05	16	1	
4136-3045-01	06	55	1		4137-3103-01	08	35	1		4980-1042-01	01	10	3		4980-1111-01	05	19	1	
4136-3046-01	06	51	1		4137-3201-01	06	39	1		4980-1043-01	01	02	2		4980-1112-01	04	23	1	



KONICA MINOLTA

Copyright

2003 KONICA MINOLTA BUSINESS TECHNOLOGIES, INC.

Printed in Japan

**Use of this catalog should be strictly supervised to avoid disclosure
of confidential information.**