

KONICA MINOLTA

# *PARTS GUIDE MANUAL*

---

*JULY 2005*

*(SFIX No. 261, 262, 263, 264, 361, 362, 363, 367) Di1610*

*(SFIX No. 251, 252, 253, 254, 351, 352, 353) Di1610f*

*(SFIX No. 281, 282, 381, 382) KONICA 7416CG*

*(SFIX No. 271, 272, 372) KONICA 7416MFG*

*(SFIX No. 211, 212, 213, 214, 311, 312, 313, 318) Di1610p*

*(SFIX No. 202, 204, 301, 302, 303, 308) Di1610fp*

*(SFIX No. 231, 232, 332) KONICA 7416CP*

*(SFIX No. 221, 222, 322) KONICA 7416MFP*

## INFORMATION FOR PARTS GUIDE MANUAL

To find correct Parts No., refer to the "HOW TO MAKE THE BEST USE OF THIS MANUAL" in the following page.

### HOW TO MAKE THE BEST USE OF THIS MANUAL

- 1 When you order, please check the proper figures beforehand that are on Our Parts Guide Manual, and order with the appropriate figures.
- 2 There is no Screw and Wiring accessories written in this parts guide manual. Please refer to the Printed or CD-ROM of parts guide manual if necessary.
- 3 In order to maintain safety of the product, some specific parts composed of this product are set up as "essential safety parts".
- 4 The assigned parts number for the "essential safety parts" is indicated as "SP00-\*\*\*\*".  
When replacing these parts, follow precautions for disassembling and installing which are listed in the Service Manual.  
Do not use any parts that are not set up as
- 5 ♣ means that there are exclusive parts for each destination.  
Please check the appropriate destination when you order.
- 6 Revision Mark  
Marked as ▲ on the illustration shows that the revision has been made.
- 7 All rights reserved. (any reprints or quotations are prohibited.)  
Use of this parts guide manual should be strictly supervised to avoid disclosure of confidential information.

# CONTENTS

No.	DESCRIPTION	PAGE No.
1	HOUSING (ADF UNIT)	P01
2	TAKE-UP SECTION (ADF UNIT)	P02
3	PAPER EXIT SECTION (ADF UNIT)	P03
4	HOUSING	P04
5	OPTICAL SECTION	P05
6	TRANSPORT/PAPER TAKE-UP SECTION	P06
7	FUSING/PAPER EXIT UNIT	P07
8	DRIVE SECTION	P08
9	ELECTRICAL COMPONENTS (A)	P09
10	ELECTRICAL COMPONENTS (B)	P10

# INDEX

Parts No.	Page No.
1391 1044 01	01-18
1391 1094 01	03-6
4109 2003 01	06-61
4111 2531 01	07-21
4127 0113 01	06-47
4127 3041 02	06-30
4127 3104 01	04-14
4127 3104 01	08-34
4127 3707 01	07-28
4127 4106 01	06-6
4127 4107 01	06-13
4127 4108 01	06-3
4127 4109 01	06-7
4127 4111 01	06-14
4127 4135 01	06-10
4127 5571 01	07-14
4136 0151 02	06-32
4136 0760 00	06-60
4136 0798 00	06-59
4136 1020 03	04-7
4136 1021 02	04-5
4136 2001 02	09-13
4136 2004 16	08-40
4136 2005 18	08-31
4136 2006 03	08-4
4136 2007 02	08-7
4136 2008 04	08-3
4136 2009 03	08-9
4136 2010 03	08-10
4136 2012 02	08-5
4136 2013 01	08-45
4136 2015 01	08-8
4136 2018 02	08-41
4136 2019 03	08-19
4136 2032 04	09-9
4136 2055 04	09-5
4136 2102 01	08-38
4136 2310 02	08-28
4136 2501 01	08-20
4136 2502 01	08-13

Parts No.	Page No.
4136 2503 01	08-14
4136 2504 01	08-12
4136 2505 01	08-15
4136 2506 01	08-16
4136 2507 01	08-21
4136 2508 01	08-22
4136 2509 01	08-23
4136 2510 01	08-25
4136 2511 01	08-26
4136 2526 03	08-11
4136 2527 01	08-24
4136 3001 01	06-34
4136 3002 02	06-57
4136 3005 04	08-32
4136 3006 01	06-58
4136 3009 02	06-29
4136 3013 01	08-37
4136 3014 02	06-18
4136 3016 02	06-35
4136 3018 01	06-28
4136 3021 01	06-46
4136 3022 01	06-31
4136 3025 01	06-52
4136 3026 01	06-56
4136 3027 01	06-53
4136 3035 01	06-22
4136 3036 01	06-19
4136 3037 01	06-20
4136 3038 01	06-21
4136 3039 01	06-33
4136 3039 12	06-33
4136 3043 01	06-49
4136 3044 01	06-27
4136 3045 01	06-55
4136 3046 01	06-51
4136 3047 01	06-50
4136 3048 01	06-26
4136 3049 01	06-54
4136 3101 01	08-33
4136 3501 04	06-25

Parts No.	Page No.
4136 3709 02	07-4
4136 3714 01	07-22
4136 3716 01	07-9
4136 3730 03	07-24
4136 4102 04	06-2
4136 4103 02	06-11
4136 4104 01	06-12
4136 4105 01	06-5
4136 4109 06	06-15
4136 4113 02	06-1
4136 4114 02	06-4
4136 4132 01	06-9
4136 4133 01	06-8
4136 5502 02	07-15
4136 5503 03	07-17
4136 5505 05	07-12
4136 5517 02	07-13
4136 5518 02	07-11
4136 5531 01	07-18
4136 5598 01	07-16
4136 5599 01	07-19
4136 6205 03	09-4
4136 6301 02	06-17
4136 6702 01	07-20
4136 6751 01	06-36
4136 6804 01	09-12
4136 6805 03	08-2
4136 6810 03	08-30
4136 7321 01	07-25
4136 7325 02	07-6
4136 7326 02	07-5
4137 0751 00	07-30
4137 0752 00	07-30
4137 0753 00	08-18
4137 0754 00	04-28
4137 0755 00	07-29
4137 0756 00	08-43
4137 0758 00	09-3
4137 0759 00	08-44
4137 1001 03	04-20

Parts No.	Page No.
4137 1001 14	04-20
4137 1003 04	04-9
4137 1004 06	07-3
4137 1005 02	07-23
4137 1006 01	04-15
4137 1007 03	04-17
4137 1008 02	04-16
4137 1009 01	04-13
4137 1011 01	04-21
4137 1012 02	04-22
4137 1017 03	04-18
4137 1018 01	04-19
4137 1024 02	07-26
4137 1036 03	07-1
4137 1051 01	04-44
4137 2006 03	09-19
4137 2007 01	09-14
4137 2011 02	08-1
4137 2302 02	09-6
4137 2311 02	09-15
4137 2312 01	09-16
4137 2524 13	08-17
4137 3020 02	06-37
4137 3102 02	08-36
4137 3103 01	08-35
4137 3201 01	06-39
4137 3202 01	04-12
4137 3203 01	04-11
4137 3204 01	06-45
4137 3205 01	06-44
4137 3221 01	06-42
4137 3763 01	07-27
4137 5545 02	07-10
4137 6201 04	09-8
4137 6202 04	09-8
4137 6802 01	07-7
4137 6803 03	06-24
4137 6806 02	08-39
4137 6807 02	08-6
4137 6808 01	06-16

Parts No.	Page No.
4137 6809 01	06-43
4137 6812 02	09-10
4137 6818 02	06-38
4137 6824 03	06-48
4137 6825 02	06-41
4137 6827 14	09-18
4137 6828 02	09-7
4137 6829 01	09-11
4137 7301 01	04-27
4137 7301 01	07-2
4137 7302 01	04-6
4137 7302 12	04-6
4137 7303 01	07-25
4137 7305 01	04-47
4137 7400 01	04-10
4139 3018 03	06-19
4504 1074 01	10-16
4508 2011 01	10-23
4508 2036 01	04-45
4508 2038 01	04-45
4647 1039 01	05-20
4647 1040 01	02-21
4647 1128 01	01-15
4647 1128 01	05-2
4647 1144 01	02-10
4647 1146 01	02-7
4980 1001 01	05-15
4980 1002 01	01-8
4980 1003 01	01-5
4980 1004 01	03-11
4980 1005 01	03-7
4980 1006 01	03-5
4980 1007 01	02-12
4980 1008 01	02-6
4980 1009 01	02-13
4980 1010 01	03-14
4980 1014 01	10-5
4980 1015 01	10-5
4980 1016 01	10-1
4980 1017 01	10-1

Parts No.	Page No.
4980 1018 01	10-1
4980 1019 01	10-1
4980 1020 01	10-15
4980 1021 01	10-19
4980 1022 01	10-13
4980 1023 01	10-12
4980 1024 01	03-20
4980 1025 01	05-5
4980 1026 01	05-13
4980 1027 01	04-25
4980 1028 01	02-33
4980 1029 01	02-1
4980 1030 01	01-1
4980 1031 01	01-4
4980 1032 01	01-16
4980 1033 01	01-3
4980 1034 01	01-7
4980 1035 01	01-6
4980 1036 01	01-17
4980 1038 01	01-19
4980 1039 01	03-26
4980 1040 01	01-12
4980 1041 01	01-9
4980 1042 01	01-10
4980 1043 01	01-2
4980 1044 01	01-13
4980 1045 01	01-14
4980 1046 01	02-3
4980 1047 01	02-2
4980 1048 01	01-11
4980 1049 01	02-26
4980 1050 01	03-1
4980 1051 01	03-28
4980 1052 01	02-29
4980 1053 01	02-25
4980 1054 01	02-24
4980 1055 01	02-30
4980 1056 01	02-4
4980 1057 01	02-28
4980 1058 01	02-27

Parts No.	Page No.
4980 1059 01	02-9
4980 1060 01	02-8
4980 1061 01	02-5
4980 1062 01	02-31
4980 1063 01	02-20
4980 1064 01	02-19
4980 1065 01	02-16
4980 1065 01	03-12
4980 1066 01	02-22
4980 1067 01	02-23
4980 1069 01	02-32
4980 1070 01	02-18
4980 1071 01	02-17
4980 1072 01	02-14
4980 1073 01	03-6
4980 1074 01	03-4
4980 1075 01	03-3
4980 1076 01	03-8
4980 1077 01	03-29
4980 1078 01	03-9
4980 1079 01	03-10
4980 1080 01	03-15
4980 1081 01	03-30
4980 1082 01	03-34
4980 1083 01	03-33
4980 1084 01	03-32
4980 1085 01	03-31
4980 1086 01	03-13
4980 1087 01	03-16
4980 1088 01	03-17
4980 1089 01	03-24
4980 1090 01	03-22
4980 1091 01	03-23
4980 1092 01	03-27
4980 1093 01	03-21
4980 1094 01	03-25
4980 1095 01	03-18
4980 1096 01	02-11
4980 1096 01	03-19
4980 1097 01	02-15

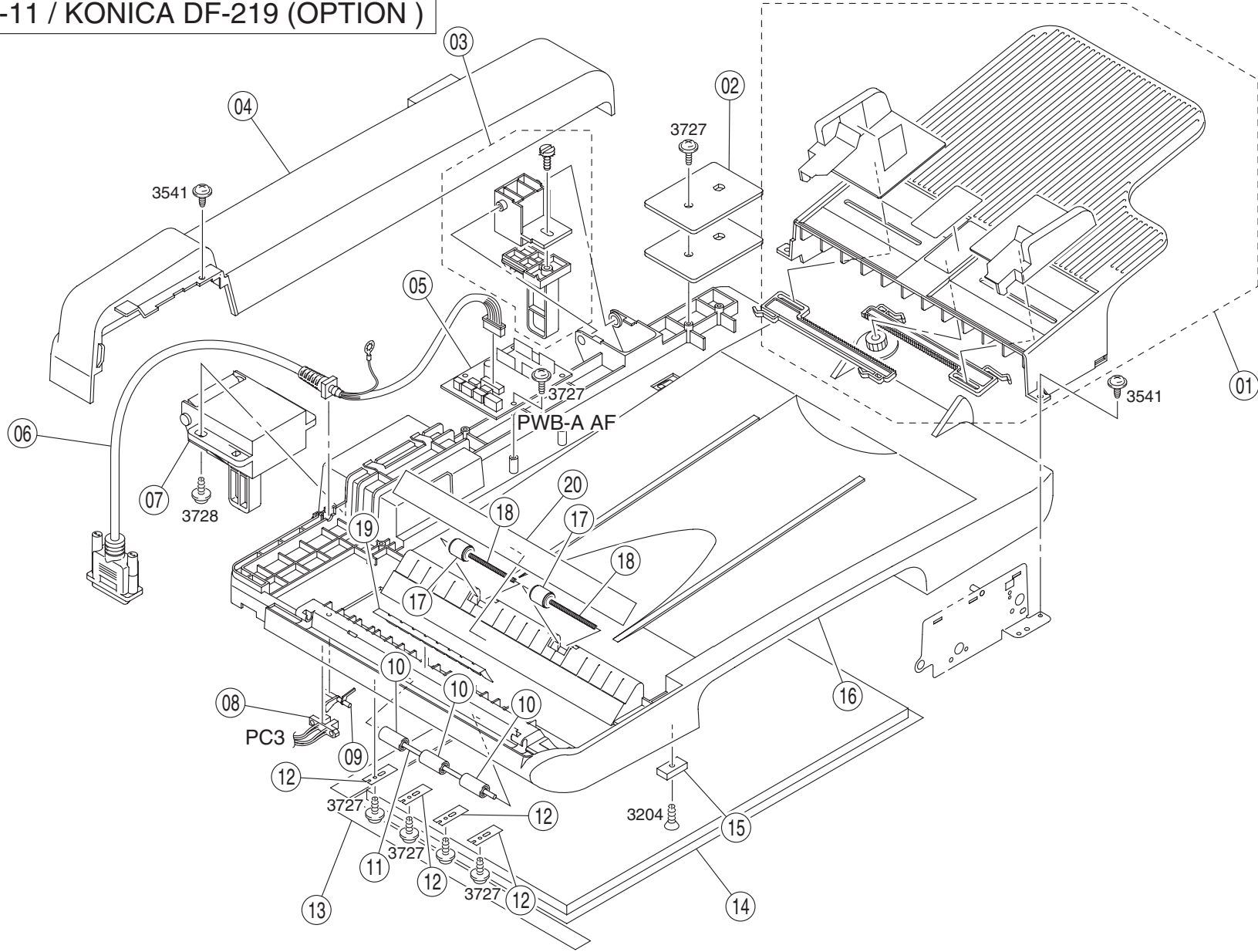
Parts No.	Page No.
4980 1098 01	03-2
4980 1099 01	05-21
4980 1100 01	04-3
4980 1101 01	05-11
4980 1102 01	05-10
4980 1103 01	05-6
4980 1104 01	05-8
4980 1105 01	05-9
4980 1106 01	05-7
4980 1107 01	05-12
4980 1108 01	05-18
4980 1109 01	05-17
4980 1110 01	05-16
4980 1111 01	05-19
4980 1112 01	04-23
4980 1113 01	04-24
4980 1114 01	05-14
4980 1116 01	04-2
4980 1117 01	04-2
4980 1128 01	04-2
4980 1129 01	04-2
4980 1139 01	10-21
4980 1141 01	04-8
4980 1142 01	04-4
4980 1143 01	09-2
4980 1144 01	09-1
4980 1145 01	10-2
4980 1146 01	10-10
4980 1147 01	10-7
4980 1148 01	10-7
4980 1149 01	10-9
4980 1150 01	10-20
4980 1151 01	10-3
4980 1152 01	10-11
4980 1153 01	10-8
4980 1154 01	04-1
4980 1155 01	04-1
4980 1156 01	04-29
4980 1158 01	05-1
4980 1159 01	05-4

Parts No.	Page No.
4980 1160 01	05-3
4980 1161 01	10-4
4980 1162 01	10-4
4980 1162 01	10-18
4980 1163 01	10-6
4980 1164 01	10-14
4980 1168 01	04-2
4980 1169 01	04-2
4980 1170 01	04-37
4980 1171 01	04-2
4980 1173 01	04-38
4980 1174 01	04-39
4980 1175 01	04-2
4980 1176 01	04-40
4980 1177 01	04-41
4980 1178 01	04-2
4980 1179 01	04-26
4980 1179 01	04-26
4980 1180 01	04-33
4980 1183 01	04-42
4980 1184 01	04-34
4980 1185 01	04-43
4980 1186 01	04-35
4980 1189 01	04-26
4980 1189 01	04-26
4980 1190 01	04-2
4980 1191 01	04-26
4980 1191 01	04-26
4980 1192 01	04-36
4980 1193 01	04-30
4980 1194 01	04-31
4980 1195 01	04-30
4980 1196 01	04-31
4980 1197 01	04-31
4980 1198 01	04-30
4980 1199 01	04-31
4980 1200 01	04-31
4980 1201 01	04-32
4980 1202 01	04-32
4980 1203 01	04-32

Parts No.	Page No.
4980 1204 01	04-32
4980 1205 01	09-20
4980 1206 01	09-20
4980 1207 01	09-20
4980 1208 01	09-20
4980 1209 01	09-20
4980 1211 01	10-17
4980 1213 01	09-20
4980 1215 01	03-35
4980 1216 01	01-20
4980 1217 01	03-36
4980 1219 01	07-31
4980 1220 01	07-31
4980 1221 01	07-31
4980 1222 01	07-31
4980 1223 01	04-46
4980 1224 01	10-22
9313 1300 12	08-29
9313 1300 12	09-17
9314 1201 32	08-27
9321 2300 12	06-23
9331 2200 31	08-42
9335 1300 61	06-40
9J03 0901 01	07-8

# HOUSING (ADF UNIT)

AF-11 / KONICA DF-219 (OPTION)

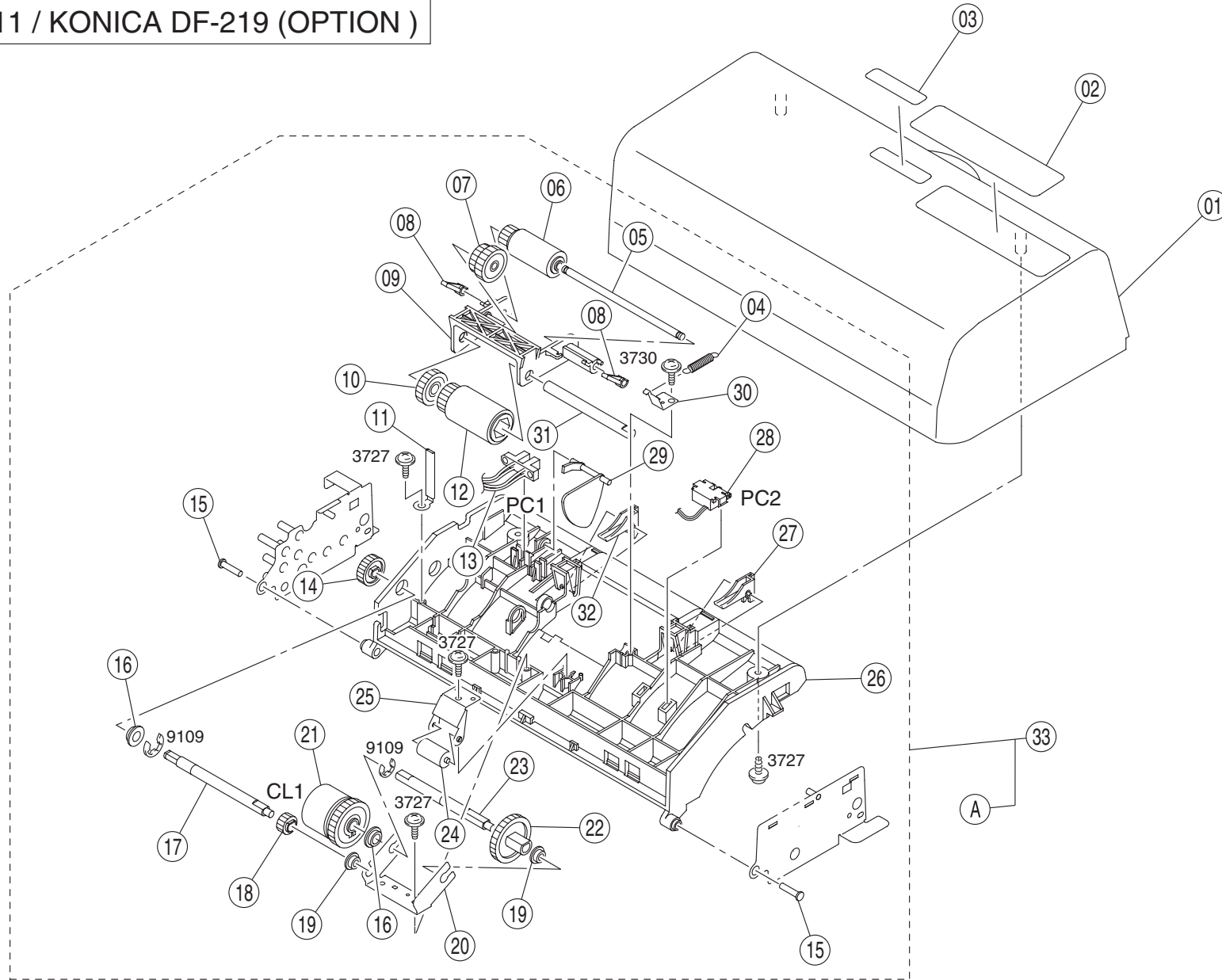


# HOUSING (ADF UNIT)

Key	Part No.	Description	Destinations	Class	QTY	Standard parts
1	4980 1030 01	TRAY		C	1	
2	4980 1043 01	WEIGHT		D	2	
3	4980 1033 01	HINGE RIGHT		C	1	
4	4980 1031 01	UPPER COVER REAR		C	1	
5	4980 1003 01	ADF PCB ASSY	((PWB-A AF))	I	1	
6	4980 1035 01	WIRE HARNESS ASSY		C	1	
7	4980 1034 01	HINGE LEFT		C	1	
8	4980 1002 01	PHOTO INTERRUPTER	(EDGE DET.(PC3))	I	1	
9	4980 1041 01	ACTUATOR		C	1	
10	4980 1042 01	ROLLER		C	3	
11	4980 1048 01	SHAFT		D	1	
12	4980 1040 01	PLATE SPRING		D	4	
13	4980 1044 01	GUIDE		C	1	
14	4980 1045 01	MAT		C	1	
15	4647 1128 01	MAGNET		D	1	
16	4980 1032 01	UPPER COVER		C	1	
17	4980 1036 01	ROLLER		C	2	
18	1391 1044 01	PRESSURE SPRING		D	2	
19	4980 1038 01	GUIDE		C	1	
20	4980 1216 01	SHEET		C	1	

# TAKE-UP SECTION (ADF UNIT)

AF-11 / KONICA DF-219 (OPTION )



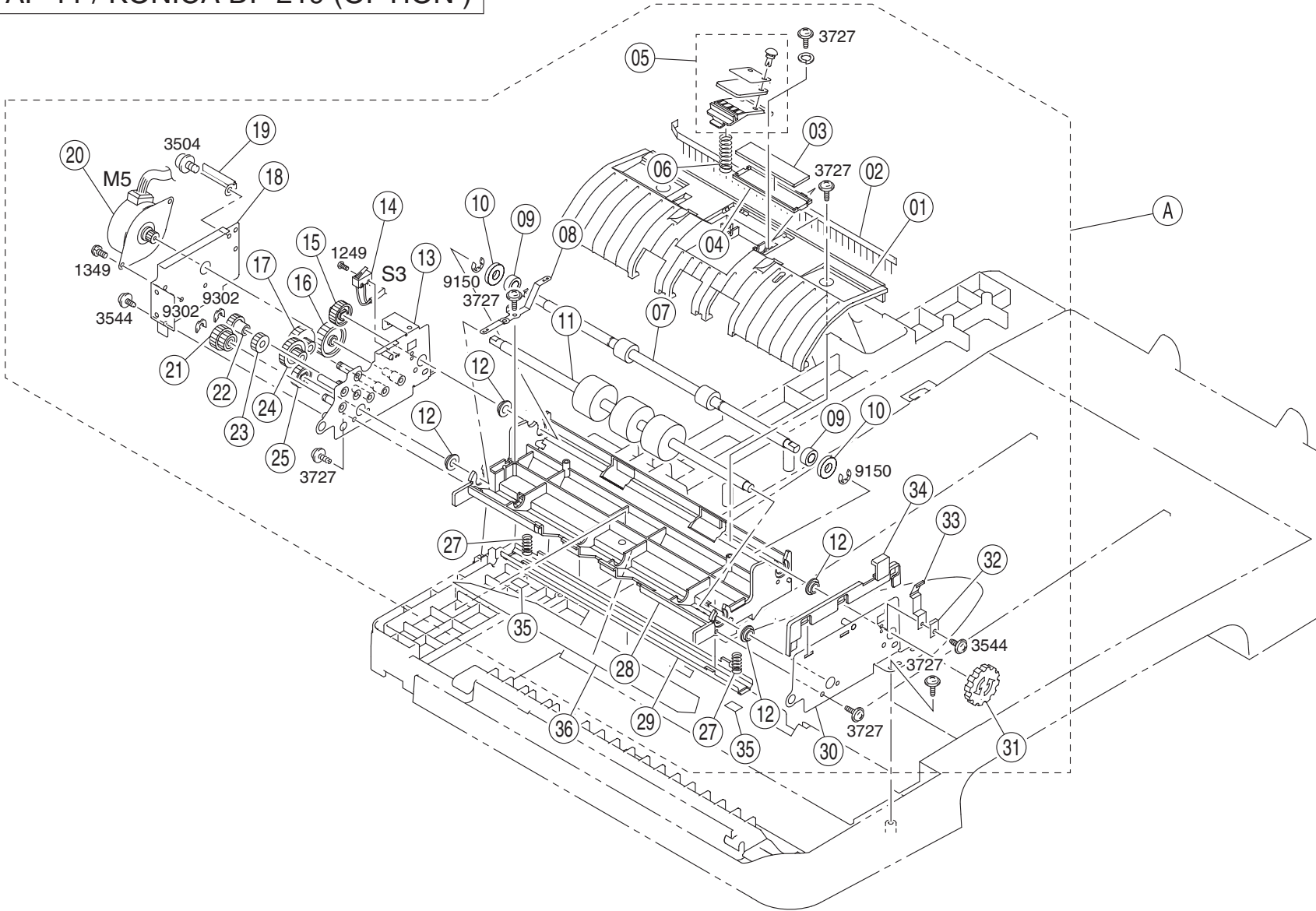


TAKE-UP SECTION (ADF UNIT)

Key	Part No.	Description	Destinations	Class	QTY	Standard parts
1	4980 1029 01	TOP COVER		C	1	
2	4980 1047 01	SHEET		C	1	
3	4980 1046 01	SHEET		C	1	
4	4980 1056 01	TENSION SPRING		D	1	
5	4980 1061 01	SHAFT		D	1	
6	4980 1008 01	PICK-UP ROLLER		C	1	
7	4647 1146 01	GEAR 19/23T		C	1	
8	4980 1060 01	STOPPER		D	2	
9	4980 1059 01	HOLDER		D	1	
10	4647 1144 01	GEAR 23T		C	1	
11	4980 1096 01	CABLE TIE		D	1	
12	4980 1007 01	ADF ROLLER		C	1	
13	4980 1009 01	PHOTO INTERRUPTER	((PC1))	I	1	
14	4980 1072 01	GEAR 20T		D	1	
15	4980 1097 01	PIN		D	1	
16	4980 1065 01	BUSHING		D	2	
17	4980 1071 01	SHAFT		D	1	
18	4980 1070 01	GEAR 12T		D	1	
19	4980 1064 01	BUSHING		D	2	
20	4980 1063 01	BRACKET		D	1	
21	4647 1040 01	MAGNETIC CLUTCH	((CL1))	C	1	
22	4980 1066 01	GEAR 33T		D	1	
23	4980 1067 01	SHAFT		D	1	
24	4980 1054 01	ROLLER		D	1	
25	4980 1053 01	PLATE SPRING		D	1	
26	4980 1049 01	GUIDE PLATE		D	1	
27	4980 1058 01	SHUTTER		D	1	
28	4980 1057 01	MICRO-SWITCH	(TAKE-UP(PC2))	I	1	
29	4980 1052 01	ACTUATOR		D	1	
30	4980 1055 01	PLATE SPRING		D	1	
31	4980 1062 01	SHAFT		D	1	
32	4980 1069 01	SHUTTER		D	1	
33	4980 1028 01	ADF ASSY		S	1	

PAPER EXIT SECTION (ADF UNIT)

AF-11 / KONICA DF-219 (OPTION)

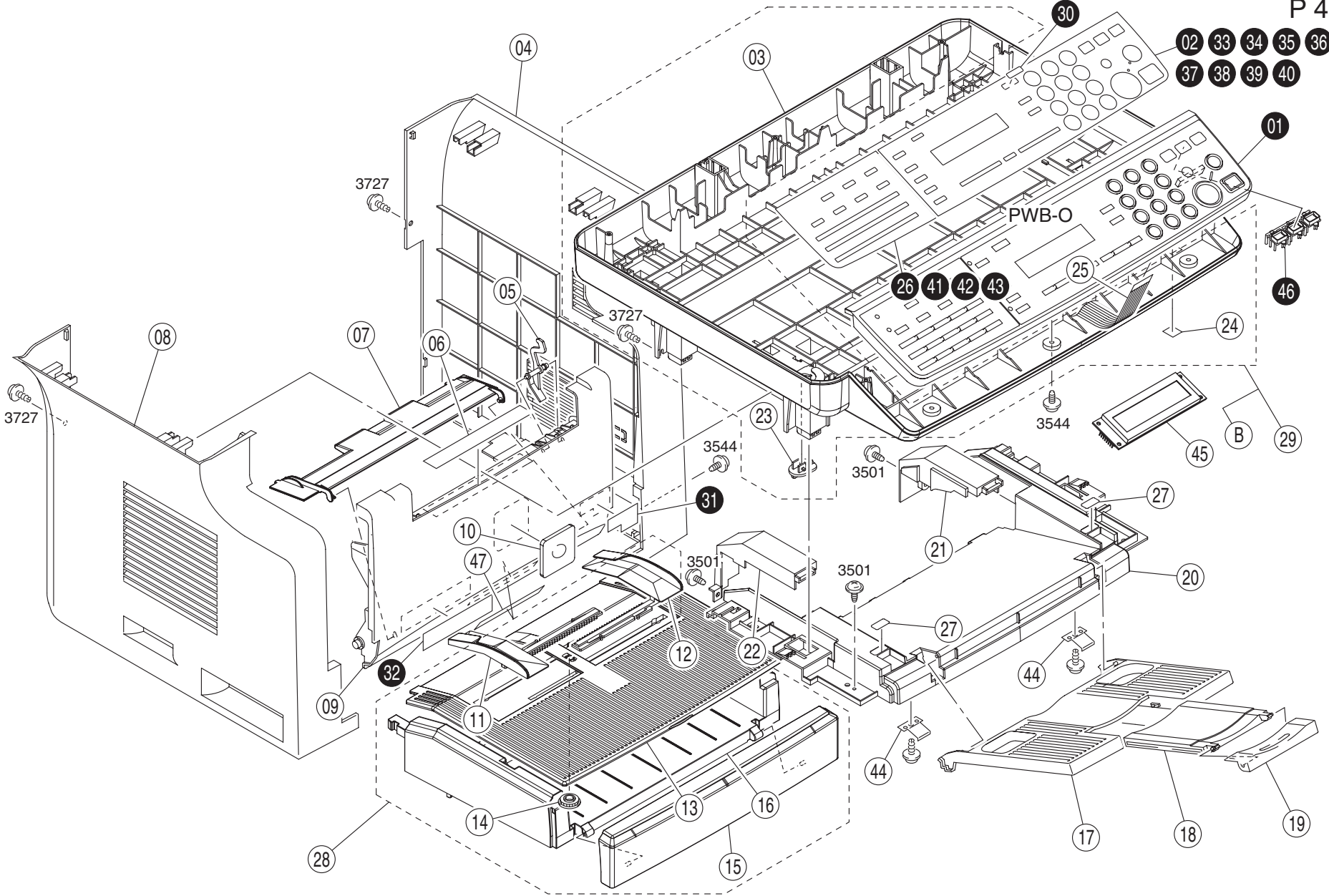


PAPER EXIT SECTION (ADF UNIT)

Key	Part No.	Description	Destinations	Class	QTY	Standard parts
1	4980 1050 01	COVER		D	1	
2	4980 1098 01	NEUTRALIZING BRUSH		D	1	
3	4980 1075 01	SEPARATOR MEMBER		A	1	
4	4980 1074 01	HOLDER		D	1	
5	4980 1006 01	PAD ASSY		C	1	
6	4980 1073 01 Old	PRESSURE SPRING		D	1	
6	1391 1094 01	PRESSURE SPRING		D	1	
7	4980 1005 01	EXIT ROLLER		C	1	
8	4980 1076 01	EARTH GROUND		D	1	
9	4980 1078 01	COLLAR		D	2	
10	4980 1079 01	COLLAR		D	2	
11	4980 1004 01	TURNING ROLLER		C	1	
12	4980 1065 01	BUSHING		D	4	
13	4980 1086 01	BRACKET		D	1	
14	4980 1010 01	MICRO SWITCH(COVER)	(AF DOOR(S3))	I	1	
15	4980 1080 01	GEAR 33T		D	1	
16	4980 1087 01	GEAR 48T		D	1	
17	4980 1088 01	GEAR 18/45T		D	1	
18	4980 1095 01	BRACKET		D	1	
19	4980 1096 01	CABLE TIE		D	1	
20	4980 1024 01	MOTOR	(AF MAIN(M5))	C	1	
21	4980 1093 01	GEAR 26T		D	1	
22	4980 1090 01	GEAR 32 15T		D	1	
23	4980 1091 01	GEAR 15T		D	1	
24	4980 1089 01	GEAR 18/40T		D	1	
25	4980 1094 01	GEAR 30T		D	1	
26	4980 1039 01	SHIELD PLATE		D	1	
27	4980 1092 01	PRESSURE SPRING		D	2	
28	4980 1051 01	BASE FRAME		D	1	
29	4980 1077 01	GUIDE PLATE		D	1	
30	4980 1081 01	BRACKET		D	1	
31	4980 1085 01	KNOB		C	1	
32	4980 1084 01	PLATE SPRING		D	2	
33	4980 1083 01	PLATE SPRING		D	2	
34	4980 1082 01	COVER		D	1	
35	4980 1215 01	SHEET		C	2	
36	4980 1217 01	SHEET		C	1	

HOUSING

P 4



Di1610/1610f/KONICA 7416CG/7416MFG, Di1610p/1610fp/KONICA 7416CP/7416MFP

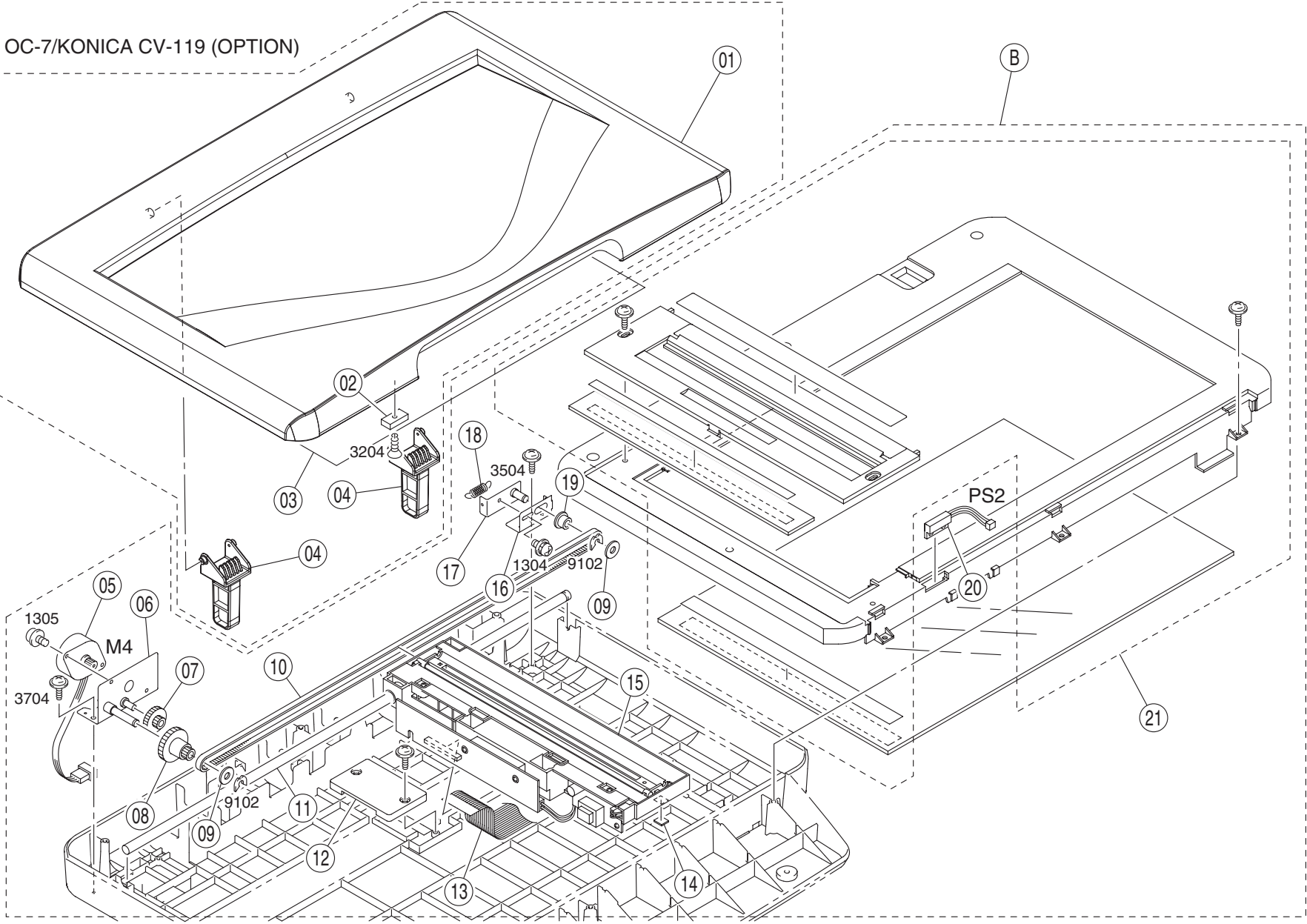
Key	Part No.	Description	Destinations	Class	QTY	Standard parts
1	4980 1154 01	OPERATION PANEL (FAX)	B,C,D1,D3,E,F,G,H,I(202,204,221,222,251,252,253,254,271,272,301,302,303,308,322,351,352,353,372)	I	1	
1	4980 1155 01	OPERATION PANEL (COPY)	B,C,D1,D3,E,F,G,H,I(211,212,213,214,231,232,261,262,263,264,267,281,282,311,312,313,318,332,361,362,363,367,381,382)	I	1	
2	4980 1116 01	PANEL SHEET RIGHT	B,G(301,308,351)	C	1	
2	4980 1117 01	PANEL SHEET RIGHT	B,D1,D3,E,F,G,H,I(202,204,252,253,254,303,353)	C	1	
2	4980 1128 01	PANEL SHEET RIGHT	B,G(311,318,361,367)	C	1	
2	4980 1129 01	PANEL SHEET RIGHT	B,D1,D3,E,F,G,H,I(212,213,214,262,263,264,313,363)	C	1	
2	4980 1168 01	PANEL SHEET RIGHT TAIWAN	H(302,352)	C	1	
2	4980 1169 01	PANEL SHEET RIGHT TAIWAN	H(312,362)	C	1	
2	4980 1171 01	PANEL SHEET RIGHT ENGLISH	(231,232,281,282,381)	C	1	
2	4980 1175 01	PANEL SHEET RIGHT TAIWAN	(332,382)	C	1	
2	4980 1178 01	PANEL SHEET RIGHT ITARIAN	(221,271)	C	1	
2	4980 1190 01	PANEL SHEET RIGHT TAIWAN	(322,372)	C	1	
3	4980 1100 01	FRAME		D	1	
4	4980 1142 01	RIGHT COVER		C	1	
5	4136 1021 02	LEVER		C	1	
6	4137 7302 01 Old	LABEL JAM		D	1	
6	4137 7302 12	LABEL JAM		C	1	
7	4136 1020 03	COVER LOWER		C	1	
8	4980 1141 01	LEFT COVER		C	1	
9	4137 1003 04	FRONT COVER		C	1	
10	4137 7400 01	LABEL		D	1	
11	4137 3203 01	REGULATING PLATE		C	1	
12	4137 3202 01	REGULATING PLATE		C	1	
13	4137 1009 01	COVER		C	1	
14	4127 3104 01	GEAR 14T		C	1	
15	4137 1006 01	FRONT COVER		D	1	
16	4137 1008 02	TRAY		D	1	
17	4137 1007 03	TRAY		C	1	
18	4137 1017 03	TRAY		C	1	
19	4137 1018 01	TRAY		C	1	
20	4137 1001 03 Old	COVER		D	1	
20	4137 1001 14	TOP COVER		D	1	
21	4137 1011 01	UPPER COVER RIGHT		C	1	
22	4137 1012 02	UPPER COVER LEFT		C	1	
23	4980 1112 01	STOPPER		D	1	
24	4980 1113 01	SEAL		D	1	
25	4980 1027 01	PANEL FFC		C	1	
26	4980 1179 01	PANEL SHEET LEFT ENGLISH	(271)	C	1	
26	4980 1179 01	PANEL SHEET LEFT ENGLISH	(221)	C	1	
26	4980 1189 01	PANEL SHEET LEFT TAIWAN	(322)	C	1	
26	4980 1191 01	PANEL SHEET LEFT HANGUL	(222)	C	1	
26	4980 1189 01	PANEL SHEET LEFT TAIWAN	(372)	C	1	
26	4980 1191 01	PANEL SHEET LEFT HANGUL	(272)	C	1	
27	4137 7301 01	LABEL CAUTION		D	2	
28	4137 0754 00	TRAY ASSY		C	1	
29	4980 1156 01	IR UNIT ASSY		S	1	

Key	Part No.	Description	Destinations	Class	QTY	Standard parts
30	4980 1193 01	LABEL DI1610	B(367)	D	1	
30	4980 1195 01	LABEL DI1610P	B,G(311)	D	1	
30	4980 1198 01	LABEL DI1610FP	B,G(301)	D	1	
31	4980 1194 01	LABEL DIALTA DI1610	B,C,D1,D3,E,F,G,H,I(261,262,263,264,267,361,362,363)	D	1	
31	4980 1196 01	LABEL DIALTA DI1610P	B,C,D1,D3,F,G,H,I(211,212,213,214,312,313,318)	D	1	
31	4980 1197 01	LABEL DIALTA DI1610F	B,C,D1,D3,E,F,G,H,I(251,252,253,254,351,352,353)	D	1	
31	4980 1199 01	LABEL DIALTA DI1610FP	B,D1,D3,F,G,H,I(202,204,302,303,308)	D	1	
31	4980 1200 01	LABEL DIALTA	B,G(301,311)	D	1	
32	4980 1201 01	LABEL KONICA7416CG	(281,282,381,382)	D	1	
32	4980 1202 01	LABEL KONICA7416CP	(231,232,332)	D	1	
32	4980 1203 01	LABEL KONICA7416MFG	(271,272,372)	D	1	
32	4980 1204 01	LABEL KONICA7416MFP	(221,222,322)	D	1	
33	4980 1180 01	PANEL SHEET RIGHT ENGLISH	(221,271)	C	1	
34	4980 1184 01	PANEL SHEET RIGHT GERMAN	(221,271)	C	1	
35	4980 1186 01	PANEL SHEET RIGHT FRENCH	(221,271)	C	1	
36	4980 1192 01	PANEL SHEET RIGHT HANGUL	(222,272)	C	1	
37	4980 1170 01	PANEL SHEET RIGHT ITALIAN	(231,281)	C	1	
38	4980 1173 01	PANEL SHEET RIGHT GERMAN	(231,281)	C	1	
39	4980 1174 01	PANEL SHEET RIGHT FRENCH	(231,281)	C	1	
40	4980 1176 01	PANEL SHEET RIGHT HANGUL	(232,282)	C	1	
41	4980 1177 01	PANEL SHEET LEFT ITALIAN	(221,271)	C	1	
42	4980 1183 01	PANEL SHEET LEFT GERMAN	(221,271)	C	1	
43	4980 1185 01	PANEL SHEET LEFT FRENCH	(221,271)	C	1	
44	4137 1051 01	PLATE SPRING	(221,271)	C	2	
45	4508 2036 01	LCD UNIT	B,C,D1,D3,E,F,G,H,I(202,204,211,212,213,214,221,222,231,232,251,252,253,254,261,262,263,264,271,272,281,282,301,302,303,308,311,312,313,318,322,332,351,352,353,361,362,363,367,372,381,382)	D	1	
45	4508 2038 01	LCD UNIT	(267)	D	1	
46	4980 1223 01	KEY TOP MODE	B,C,D1,D3,E,F,G,H,I(202,204,221,222,251,252,253,254,271,272,301,302,303,308,322,351,352,353,372)	I	1	
47	4137 7305 01	LABEL		C	1	

Di1610/1610f/KONICA 7416CG/7416MFG, Di1610p/1610fp/KONICA 7416CP/7416MFP

OPTICAL SECTION

OC-7/KONICA CV-119 (OPTION)

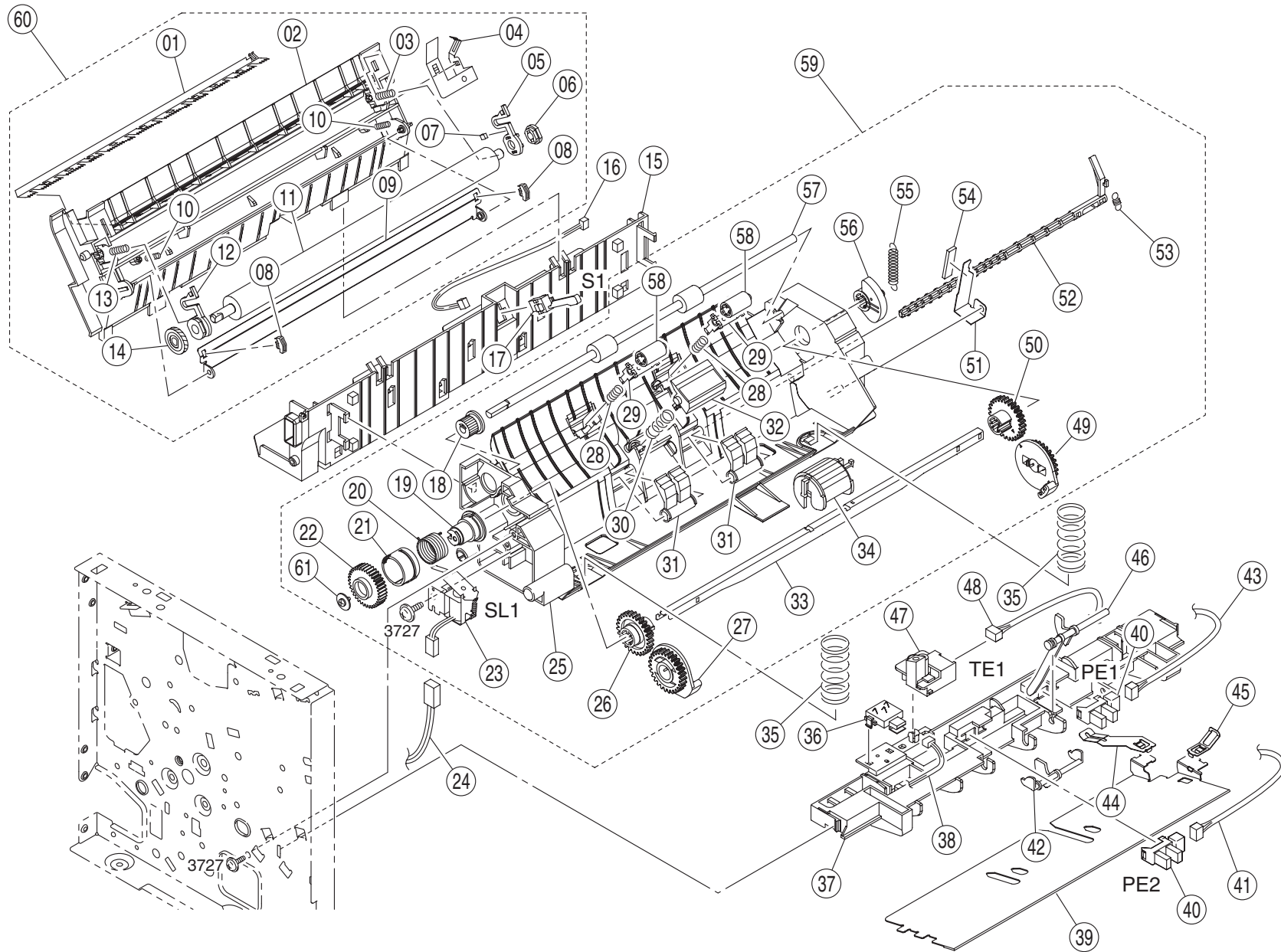


OPTICAL SECTION

Key	Part No.	Description	Destinations	Class	QTY	Standard parts
1	4980 1158 01	ORIGINAL COVER	(OPTION)	C	1	
2	4647 1128 01	MAGNET	(OPTION)	D	1	
3	4980 1160 01	MAT	(OPTION)	C	1	
4	4980 1159 01	HINGE	(OPTION)	C	2	
5	4980 1025 01	PM MOTOR	(SCANNER(M4))	B	1	
6	4980 1103 01	BRACKET		D	1	
7	4980 1106 01	GEAR 19/40T		C	1	
8	4980 1104 01	GEAR 16/57T		C	1	
9	4980 1105 01	COLLAR		C	2	
10	4980 1102 01	BELT		C	1	
11	4980 1101 01	SHAFT		D	1	
12	4980 1107 01	COVER		D	1	
13	4980 1026 01	CCD FFC		C	1	
14	4980 1114 01	SLIDER		D	1	
15	4980 1001 01	CCD MODULE		I	1	
16	4980 1110 01	HOLDER		D	1	
17	4980 1109 01	SHAFT ASSY		D	1	
18	4980 1108 01	TENSION SPRING		C	1	
19	4980 1111 01	PULLEY		C	1	
20	4647 1039 01	MAGNETIC SW	(COVER SET(PS2))	C	1	
21	4980 1099 01	TOP COVER ASSY		C	1	



# TRANSPORT/PAPER TAKE-UP SECTION

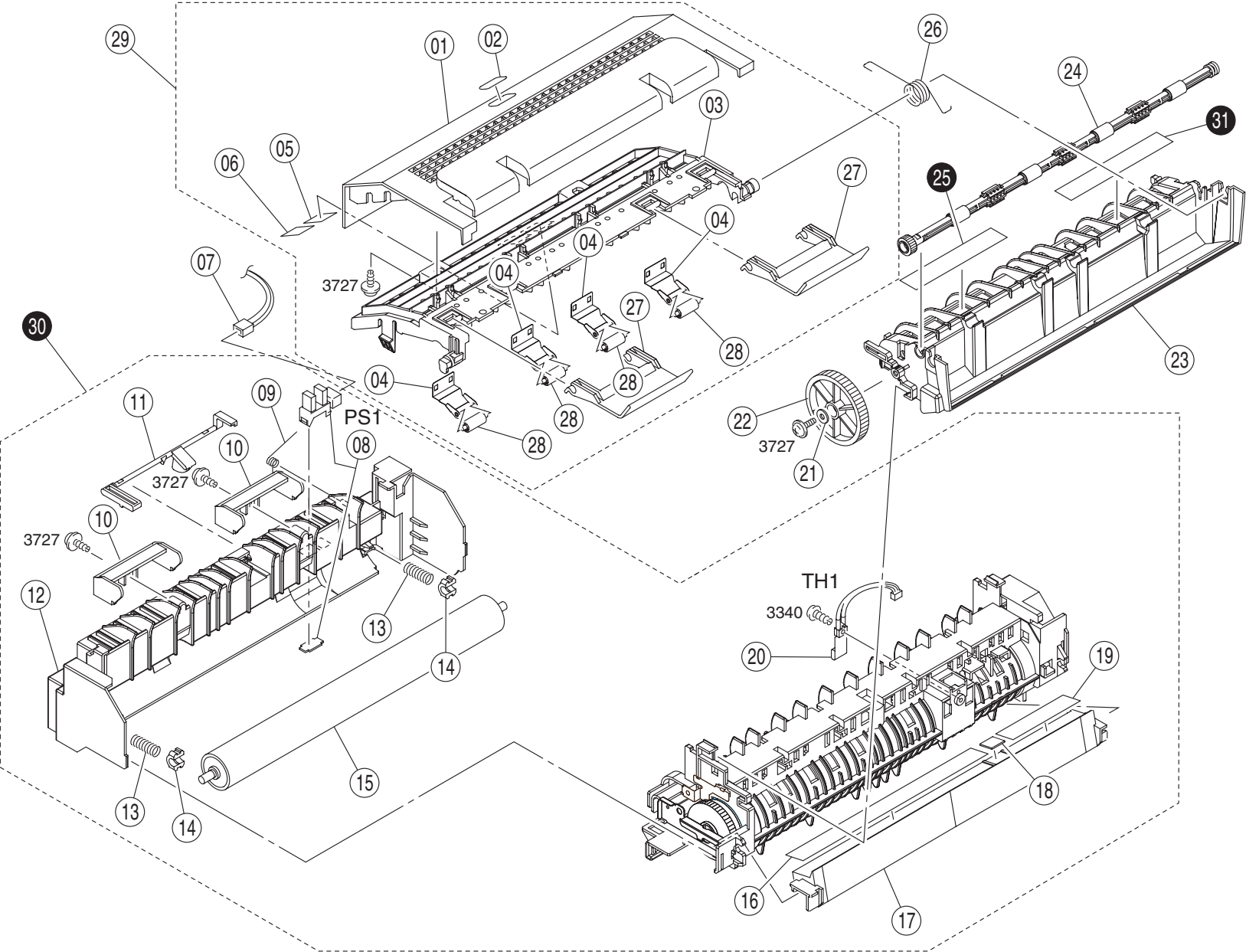


TRANSPORT/PAPER TAKE-UP SECTION

Key	Part No.	Description	Destinations	Class	QTY	Standard parts
1	4136 4113 02	NEUTRALIZING NEEDLE		D	1	
2	4136 4102 04	HOLDER		D	1	
3	4127 4108 01	PRESSURE SPRING		C	1	
4	4136 4114 02	CONTACT		C	1	
5	4136 4105 01	BUSHING		C	1	
6	4127 4106 01	CONDUCTIVE MEMBER		C	1	
7	4127 4109 01	CUSHION		C	1	
8	4136 4133 01	SPACER		C	2	
9	4136 4132 01	GUIDE PLATE		D	1	
10	4127 4135 01	PRESSURE SPRING		C	2	
11	4136 4103 02	TRANSFER ROLLER		A	1	
12	4136 4104 01	BUSHING		C	1	
13	4127 4107 01	PRESSURE SPRING		C	1	
14	4127 4111 01	GEAR 21T		C	1	
15	4136 4109 06	GUIDE		D	1	
16	4137 6808 01	WIRE HARNESS ASSY		D	1	
17	4136 6301 02	MICRO-SWITCH	(TAKE-UP(S1))	I	1	
18	4136 3014 02	GEAR 14T		C	1	
19	4136 3036 01 Old	DRUM		D	1	
19	4139 3018 03	DRUM		C	1	
20	4136 3037 01	TORSION SPRING		C	1	
21	4136 3038 01	RATCHET		C	1	
22	4136 3035 01	GEAR 35T		C	1	
23	9321 2300 12	SOLENOID	(TAKE-UP(SL1))	C	1	
24	4137 6803 03	WIRE HARNESS ASSY		D	1	
25	4136 3501 04	GUIDE		D	1	
26	4136 3048 01	GEAR 27T		C	1	
27	4136 3044 01	CAM		C	1	
28	4136 3018 01	PRESSURE SPRING		C	2	
29	4136 3009 02	HOLDER		C	2	
30	4127 3041 02	PRESSURE SPRING		C	1	
31	4136 3022 01	STOPPER		C	2	
32	4136 0151 02	FRICTION SHEET ASSY		C	1	
33	4136 3039 01 Old	SHAFT		D	1	
33	4136 3039 12	SHAFT		D	1	
34	4136 3001 01	ROLLER		B	1	
35	4136 3016 02	PRESSURE SPRING		C	2	
36	4136 6751 01	CONNECTOR PIN		D	1	
37	4137 3020 02	HOLDER		D	1	
38	4137 6818 02	WIRE HARNESS ASSY		D	1	
39	4137 3201 01	TRAY		D	1	
40	9335 1300 61	PHOTO INTERRUPTER	(EMPTY(PE1.2))	B	2	
41	4137 6825 02	WIRE HARNESS ASSY		D	1	
42	4137 3221 01	ACTUATOR		D	1	
43	4137 6809 01	WIRE HARNESS ASSY		D	1	
44	4137 3205 01	EARTH GROUND		D	1	
45	4137 3204 01	EARTH GROUND		D	1	
46	4136 3021 01	ACTUATOR		C	1	
47	4127 0113 01	PWB ASSY	(EMPTY(TE1))	I	1	
48	4137 6824 03	WIRE HARNESS ASSY		D	1	
49	4136 3043 01	CAM		C	1	
50	4136 3047 01	GEAR 27T		C	1	
51	4136 3046 01	PLATE SPRING		D	1	
52	4136 3025 01	LEVER		C	1	
53	4136 3027 01	TENSION SPRING		C	1	

Key	Part No.	Description	Destinations	Class	QTY	Standard parts
54	4136 3049 01	FRICTION SHEET		C	1	
55	4136 3045 01	TENSION SPRING		C	1	
56	4136 3026 01	CAM		C	1	
57	4136 3002 02	ROLLER		C	1	
58	4136 3006 01	ROLL		C	2	
59	4136 0798 00	PAPER TAKE UP ASSY		S	1	
60	4136 0760 00	TRANSFER UNIT		S	1	
61	4109 2003 01	SHOULDER SCREW		C	1	

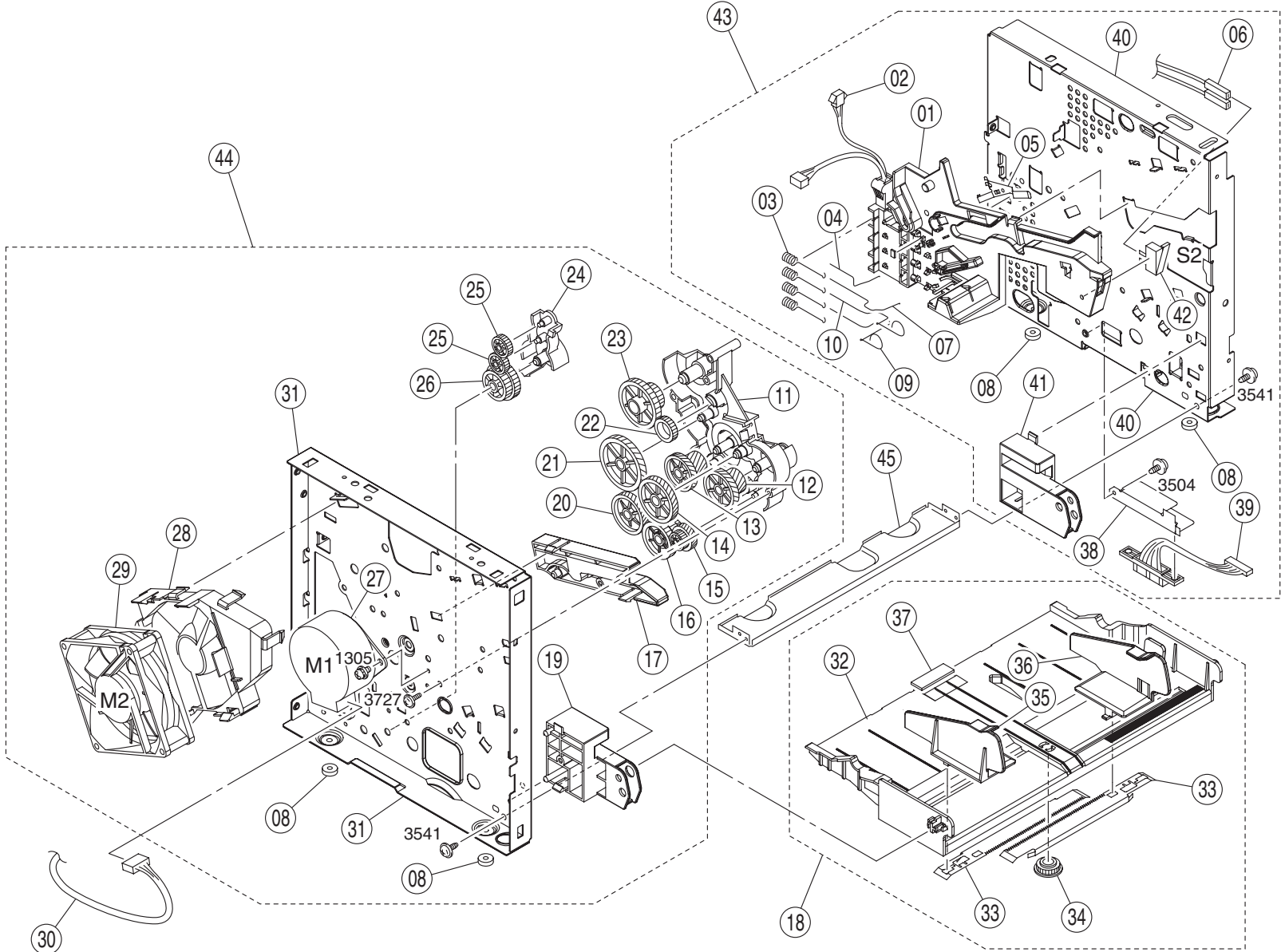
FUSING/PAPER EXIT UNIT



FUSING/PAPER EXIT UNIT

Key	Part No.	Description	Destinations	Class	QTY	Standard parts
1	4137 1036 03	TOP COVER		D	1	
2	4137 7301 01	LABEL CAUTION		D	1	
3	4137 1004 06	GUIDE		D	1	
4	4136 3709 02	SPRING		D	4	
5	4136 7326 02	LABEL CAUTION		D	1	
6	4136 7325 02	LABEL HOT		D	1	
7	4137 6802 01	WIRE HARNESS ASSY		D	1	
8	9J03 0901 01	PHOTO INTERRUPTER	(EXIT(PS1))	I	1	
9	4136 3716 01	TORSION SPRING		C	1	
10	4137 5545 02	GUIDE		D	2	
11	4136 5518 02	ACTUATOR		C	1	
12	4136 5505 05	HOUSING		D	1	
13	4136 5517 02	PRESSURE SPRING		C	2	
14	4127 5571 01	BUSHING		B	2	
15	4136 5502 02	ROLLER		C	1	
16	4136 5598 01	SEAL		C	1	
17	4136 5503 03	GUIDE		D	1	
18	4136 5531 01	BRUSH		D	1	
19	4136 5599 01	SEAL		C	1	
20	4136 6702 01	THERMISTOR	(FUSING(TH1))	C	1	
21	4111 2531 01	WASHER		C	1	
22	4136 3714 01	GEAR 61T		C	1	
23	4137 1005 02	GUIDE		D	1	
24	4136 3730 03	ROLLER		C	1	
25	4136 7321 01	LABEL CAUTION	B,F,G,H(301,302,303,308,311,312,313,318,322,332,351,352,353,361,362,363,367,372,381,382)	C	1	
25	4137 7303 01	LABEL CAUTION	B,C,D1,D3,E,F,G,H,I(202,204,211,212,213,214,221,222,231,232,251,252,253,254,261,262,263,264,267,271,272,281,282)	D	1	
26	4137 1024 02	TORSION SPRING		C	1	
27	4137 3763 01	LEVER		D	2	
28	4127 3707 01	ROLL		C	4	
29	4137 0755 00	GUIDE ASSY		C	1	
30	4137 0751 00	FUSING UNIT 120V	B,F,G,H(301,302,303,308,311,312,313,318,322,332,351,352,353,361,362,363,367,372,381,382)	A	1	
30	4137 0752 00	FUSING UNIT 220V	B,C,D1,D3,E,F,G,H,I(202,204,211,212,213,214,221,222,231,232,251,252,253,254,261,262,263,264,267,271,272,281,282)	A	1	
31	4980 1219 01	LABEL CAUTION	H(302,312,322,332,352,362,372,382)	D	1	
31	4980 1220 01	LABEL CAUTION	B,G(301,308,311,318,351,361,367,381)	D	1	
31	4980 1221 01	LABEL CAUTION	B,C,E,G,I(204,211,213,214,221,231,251,253,254,261,263,264,267,271,281)	D	1	
31	4980 1222 01	LABEL CAUTION	B,D1,D3,F,G,H,I(202,212,222,232,252,262,272,282,303,313,353,363)	D	1	

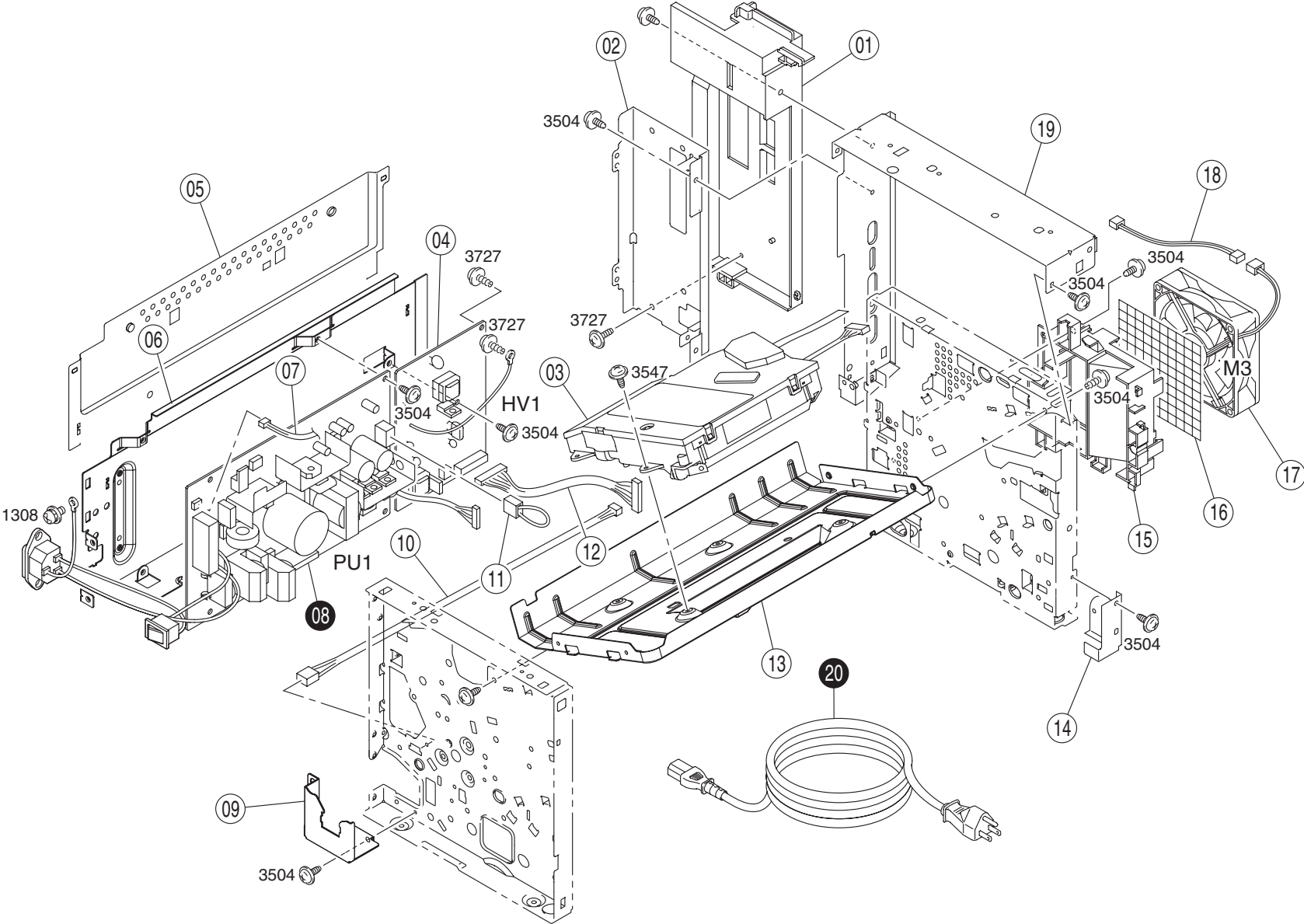
DRIVE SECTION



DRIVE SECTION

Key	Part No.	Description	Destinations	Class	QTY	Standard parts
1	4137 2011 02	GUIDE		D	1	
2	4136 6805 03	WIRE HARNESS ASSY		D	1	
3	4136 2008 04	CONTACT		D	4	
4	4136 2006 03	CONTACT		D	1	
5	4136 2012 02	EARTH GROUND		D	1	
6	4137 6807 02	WIRE HARNESS ASSY		D	1	
7	4136 2007 02	CONTACT		D	1	
8	4136 2015 01	RUBBER FOOT		D	4	
9	4136 2009 03	CONTACT		D	1	
10	4136 2010 03	CONTACT		D	1	
11	4136 2526 03	HOLDER		D	1	
12	4136 2504 01	GEAR 21/51T		C	1	
13	4136 2502 01	GEAR 19/48T		C	1	
14	4136 2503 01	GEAR 24/59T		C	1	
15	4136 2505 01	GEAR 32/18T		C	1	
16	4136 2506 01	GEAR 21/25/35T		C	1	
17	4137 2524 13	GUIDE		D	1	
18	4137 0753 00	REGULATING PLATE ASSY		C	1	
19	4136 2019 03	HOLDER		D	1	
20	4136 2501 01	GEAR 21/53T		C	1	
21	4136 2507 01	GEAR 28/70T		C	1	
22	4136 2508 01	GEAR 24T		C	1	
23	4136 2509 01	GEAR 23/48T		C	1	
24	4136 2527 01	HOLDER		D	1	
25	4136 2510 01	GEAR 20T		C	2	
26	4136 2511 01	GEAR 25/27T		C	1	
27	9314 1201 32	MOTOR	(MAIN(M1))	B	1	
28	4136 2310 02	DUCT		D	1	
29	9313 1300 12	FAN MOTOR	(L.COOLING(M2))	B	1	
30	4136 6810 03	WIRE HARNESS ASSY		D	1	
31	4136 2005 18	FRAME		D	1	
32	4136 3005 04	LIFTING PLATE		C	1	
33	4136 3101 01	RACK		C	2	
34	4127 3104 01	GEAR 14T		C	1	
35	4137 3103 01	REGULATING PLATE		C	1	
36	4137 3102 02	REGULATING PLATE		C	1	
37	4136 3013 01	FRICTION SHEET		C	1	
38	4136 2102 01	BRACKET		D	1	
39	4137 6806 02	WIRE HARNESS ASSY		D	1	
40	4136 2004 16	FRAME		D	1	
41	4136 2018 02	HOLDER		D	1	
42	9331 2200 31	MICRO-SWITCH	(DOOR(S2))	C	1	
43	4137 0756 00	RIGHT FRAME ASSY		S	1	
44	4137 0759 00	LEFT FRAME ASSY		S	1	
45	4136 2013 01	REINFORCE PLATE		D	1	

ELECTRICAL COMPONENTS (A)

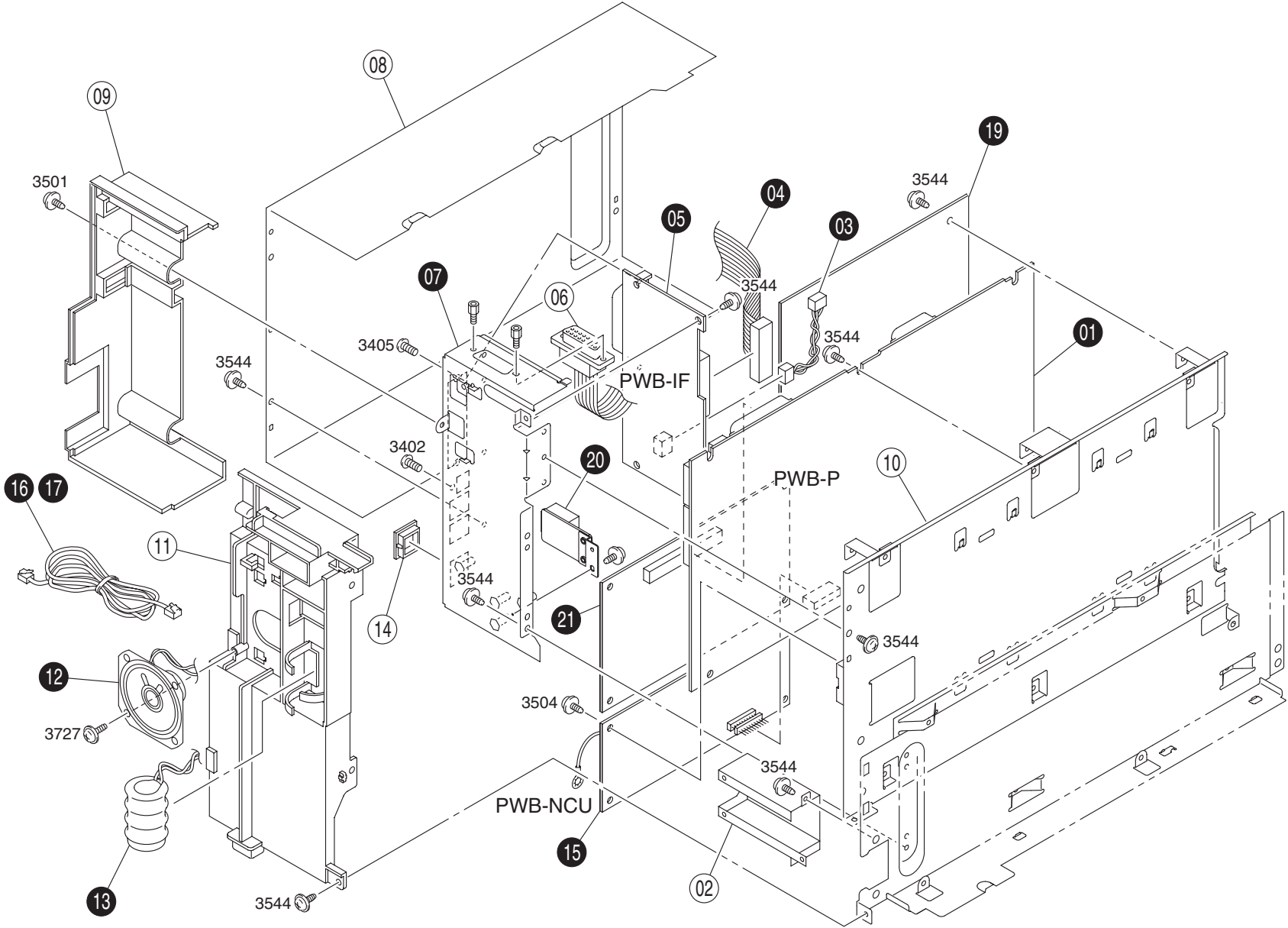




ELECTRICAL COMPONENTS (A)

Key	Part No.	Description	Destinations	Class	QTY	Standard parts
1	4980 1144 01	COVER		D	1	
2	4980 1143 01	SHIELD		D	1	
3	4137 0758 00	PRINT HEAD ASSY		I	1	
4	4136 6205 03	HV1	((HV1))	I	1	
5	4136 2055 04	FRAME		D	1	
6	4137 2302 02	FRAME		D	1	
7	4137 6828 02	WIRE HARNESS ASSY		D	1	
8	4137 6201 04	POWER SUPPLY	B,F,G,H(301,302,303,308,311,312,313,318,322,332,351,352,353,361,362,363,367,372,381,382)	I	1	
8	4137 6202 04	POWER SUPPLY	B,C,D1,D3,E,F,G,H,I(202,204,211,212,213,214,221,222,231,232,251,252,253,254,261,262,263,264,267,271,272,281,282)	I	1	
9	4136 2032 04	BRACKET		D	1	
10	4137 6812 02	WIRE HARNESS ASSY		D	1	
11	4137 6829 01	WIRE HARNESS ASSY		D	1	
12	4136 6804 01	WIRE HARNESS ASSY		D	1	
13	4136 2001 02	BASE FRAME		D	1	
14	4137 2007 01	REINFORCE PLATE		D	1	
15	4137 2311 02	DUCT		D	1	
16	4137 2312 01	FILTER		C	1	
17	9313 1300 12	FAN MOTOR	(R.COOLING(M3))	B	1	
18	4137 6827 14	WIRE HARNESS ASSY		D	1	
19	4137 2006 03	REINFORCE PLATE		D	1	
20	4980 1205 01	POWER CORD	B,G(301,308,311,318,351,361,367,381)	D	1	
20	4980 1206 01	POWER CORD	H(302,312,322,332,352,362,372,382)	D	1	
20	4980 1207 01	POWER CORD	B,D1,D3,F,G,H,I(202,212,252,262)	D	1	
20	4980 1208 01	POWER CORD	E(213,222,232,253,263,272,282)	D	1	
20	4980 1209 01	POWER CORD	B,G(204,214,254,264)	D	1	
20	4980 1213 01	POWER CORD	(221,231,271,281)	D	1	

ELECTRICAL COMPONENTS (B)



ELECTRICAL COMPONENTS (B)

Key	Part No.	Description	Destinations	Class	QTY	Standard parts
1	4980 1016 01	PWB-P	B,C,D1,D3,E,F,G,H,I(261,262,263,264,267,281,282,361,362,363,367,381,382)	I	1	
1	4980 1017 01	PWB-P	B,C,D1,D3,F,G,H,I(211,212,213,214,231,232,311,312,313,318,332)	I	1	
1	4980 1018 01	PWB-P	B,C,D1,D3,E,F,G,H,I(251,252,253,254,271,272,351,352,353,372)	I	1	
1	4980 1019 01	PWB-P	B,D1,D3,F,G,H,I(202,204,221,222,301,302,303,308,322)	I	1	
2	4980 1145 01	BRACKET		D	1	
3	4980 1151 01	WIRE HARNESS ASSY	B,C,D1,D3,E,F,G,H,I(202,204,221,222,251,252,253,254,271,272,301,302,303,308,322,351,352,353,372)	D	1	
4	4980 1161 01	WIRE HARNESS ASSY	B,C,D1,D3,F,G,H,I(202,204,211,212,213,214,221,222,231,232,301,302,303,308,311,312,313,318,322,332)	D	1	
4	4980 1162 01	WIRE HARNESS ASSY	B,C,D1,D3,E,F,G,H,I(251,252,253,254,261,262,263,264,271,272,281,282,351,352,353,361,362,363,367,372,381,382)	D	1	
5	4980 1014 01	PWB-IF COPY	B,C,D1,D3,E,F,G,H,I(211,212,213,214,231,232,261,262,263,264,267,281,282,311,312,313,318,332,361,362,363,367,381,382)	I	1	
5	4980 1015 01	PWB-IF FAX	B,C,D1,D3,E,F,G,H,I(202,204,221,222,251,252,253,254,271,272,301,302,303,308,322,351,352,353,372)	I	1	
6	4980 1163 01	WIRE HARNESS ASSY		D	1	
7	4980 1147 01	BRACKET	B,C,D1,D3,E,F,G,H,I(202,204,221,222,251,252,253,254,271,272,301,302,303,308,322,351,352,353,372)	D	1	
7	4980 1148 01	BRACKET	B,C,D1,D3,E,F,G,H,I(211,212,213,214,231,232,261,262,263,264,267,281,282,311,312,313,318,332,361,362,363,367,381,382)	D	1	
8	4980 1153 01	SHIELD BOX		D	1	
9	4980 1149 01	COVER		D	1	
10	4980 1146 01	BRACKET		D	1	
11	4980 1152 01	COVER		D	1	

Key	Part No.	Description	Destinations	Class	QTY	Standard parts
12	4980 1023 01	SPEAKER ASSY	B,C,D1,D3,E,F,G,H,I(202,204,221,222,251,252,253,254,271,272,301,302,303,308,322,351,352,353,372)	D	1	
13	4980 1022 01	BATTERY	B,C,D1,D3,E,F,G,H,I(202,204,221,222,251,252,253,254,271,272,301,302,303,308,322,351,352,353,372)	D	1	
14	4980 1164 01	COVER		D	1	
15	4980 1020 01	NCU PWB	B,C,D1,D3,E,F,G,H,I(202,204,221,222,251,252,253,254,271,272,301,302,303,308,322,351,352,353,372)	I	1	
16	4504 1074 01	CABLE-TEL	B,D1,D3,E,F,G,H,I(202,204,222,252,253,254,272,301,302,303,308,322,351,352,353,372)	D	1	
17	4980 1211 01	WIRE HARNESS ASSY	B,D1,D3,F,G,H,I(202,222,252,272)	D	1	
18	4980 1162 01	WIRE HARNESS ASSY	(267)	D	1	
19	4980 1021 01	PCL PWB	B,C,D1,D3,F,G,H,I(202,204,211,212,213,214,221,222,231,232,301,302,303,308,311,312,313,318,322,332)	I	1	
20	4980 1150 01	PWB ASSY	(NC-5/KN-418,OPTION)	I	1	
21	4980 1139 01	NIC PCB ASSY	(NC-5/KN-418,OPTION)	I	1	
22	4980 1224 01	CONNECTOR	(NC-5/KN-418,OPTION)	D	1	
23	4508 2011 01	CONNECTOR	(NC-5/KN-418,OPTION)	D	1	

DESTINATION

Destination No.		Destinations		V	Hz	Model No.
A	A1	JAPAN		100/200	50	
	A2	JAPAN		100/200	60	
B		USA, CANADA		120/230	60	
C		EUROPEAN TYPE		220-240	50	
D	D1	S.E ASIA TYPE	THAILAND, SRI LANKA, SINGAPORE, MALAYSIA, HONG KONG, PAKISTAN, INDIA, BANGLADESH, INDONESIA	220-240	50/60	
	D3	OCEANIA TYPE	AUSTRALIA, NEW ZEALAND	240	50	
E		PHILIPPINES		220	60	
F	F1	SAUDI ARABIA		127	60	
	F2	SAUDI ARABIA		220-240	50	
G	G1	C.S AMERICA		220-240	50	
	G2	C.S AMERICA		115	60	
H		TAIWAN		110/220	60	
I		JORDAN, LEBANON, SYRIA, SOUTH AFRICA, IRAQ, IRAN, N.YEMEN, CAMEROON, UAE, BAHRAIN, OMAN, QATAR, KUWAIT, KENYA, TUNISIA, IVORY COAST, MOROCCO		220-240	50/60	
J		CHINA		220	50	
K		KOREA		220	60	