
Parts and Diagrams

7

Printer Support	7-2
Bin and Take-Up Reel	7-4
Right Hand Cover	7-6
Left Hand Cover and Rear Door	7-8
Top and Back Covers	7-10
Service Station	7-12
Vacuum Fan	7-14
Booster Fan and Media Sensor	7-16
Paper-Axis Motor	7-18
Scan-Axis Motor	7-20
ISS and APS Assembly	7-22
Ink Tubes System	7-24
Boot ROM DIMM, DRAM Memory and Covers	7-26
Rear Electronics Access Covers	7-28
Hard Disk Drive and Cover	7-30
ISS PCA and Main PCA	7-32
Power Supply Unit	7-34
Carriage Assembly	7-36
Tensioner Assembly and Encoder Strip	7-38
Platen Assemblies - DesignJet 5000 Series	7-40
Platen Assemblies - DesignJet 5500 Series	7-42
Pinch-Wheels Assembly and Lever	7-44
Center Guide, Deflectors and Entry Roller - DesignJet 5000 Series	7-46
Center Guide and Entry Roller - DesignJet 5500 Series	7-48
Tubes Guide Assemblies	7-50
EMC Covers	7-52
Spindle and Hub	7-54
Rollfeed Brakes	7-56
Miscellaneous Items	7-58
Media Types	7-59

Printer Support

Printer Support				
Reference on Drawing	HP Part Number		Quantity	Description/Comments
	DJ 5000 Series	DJ 5500 Series		
1	C6090-60049		2	Foot Assembly
2	C6090-60047		2	Legs Assembly
3	C6095-60167		1	Top X-Brace Assembly (60" Model)
	C6090-60055		1	Top X-Brace Assembly (42" Model)
4	C6095-60166		1	Bottom X-Brace Assembly (60" Model)
	C6090-60056		1	Bottom X-Brace Assembly (42" Model)
-	C6090-60046		1	Hardware Kit (Includes Screws and Screw Drivers)

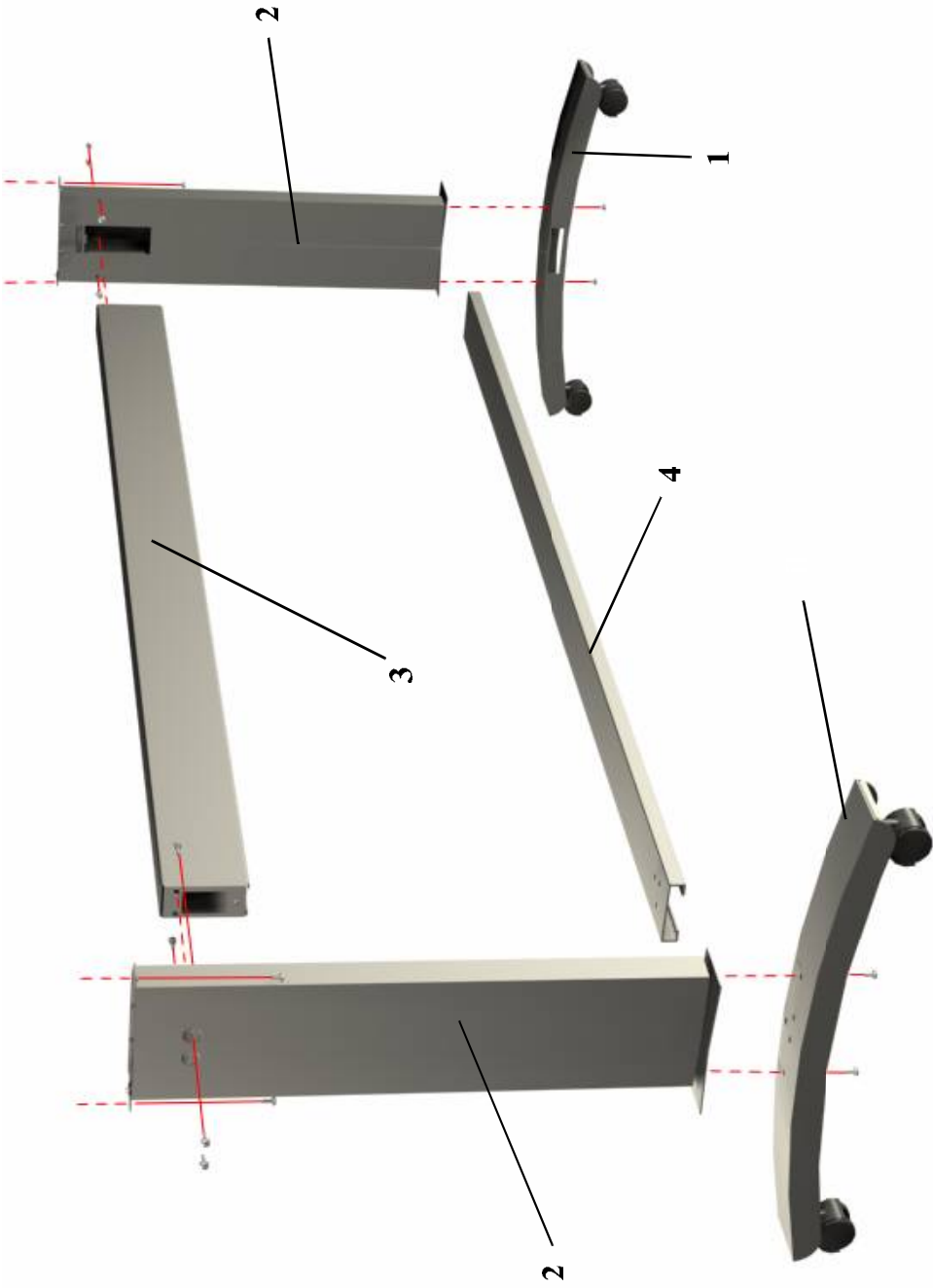


Figure 3: Printer Support

Bin and Take-Up Reel

Bin and Take-Up Reel				
Reference on Drawing	HP Part Number		Quantity	Description/Comments
	DJ 5000 Series	DJ 5500 Series		
1	C7770-60148		1	42" Bin (includes the Bin Support)
2	C6095-60282		1	Take-Up Reel Spindle (60" Model)
	C6090-60310		1	Take-Up Reel Spindle (42" Model)
3	C6090-60183		1	Left Take-Up Reel Holder
4	C6090-60182		1	Right Take-Up Reel Holder
5	C6095-60189		1	Take-Up Reel Tubes (60" Model)
	C6090-60177		1	Take-Up Reel Tubes (42" Model)
6	Q1253-60017		1	Take-up Reel Deflector (60" Model)
	Q1251-60076		1	Take-up Reel Deflector (42" Model)
7	C6090-60184		1	Take-Up Reel Sensor
8	C6090-60309		1	Left Hand Take-Up Reel Spindle Guide
9	C6090-60112		2	3" Adaptors

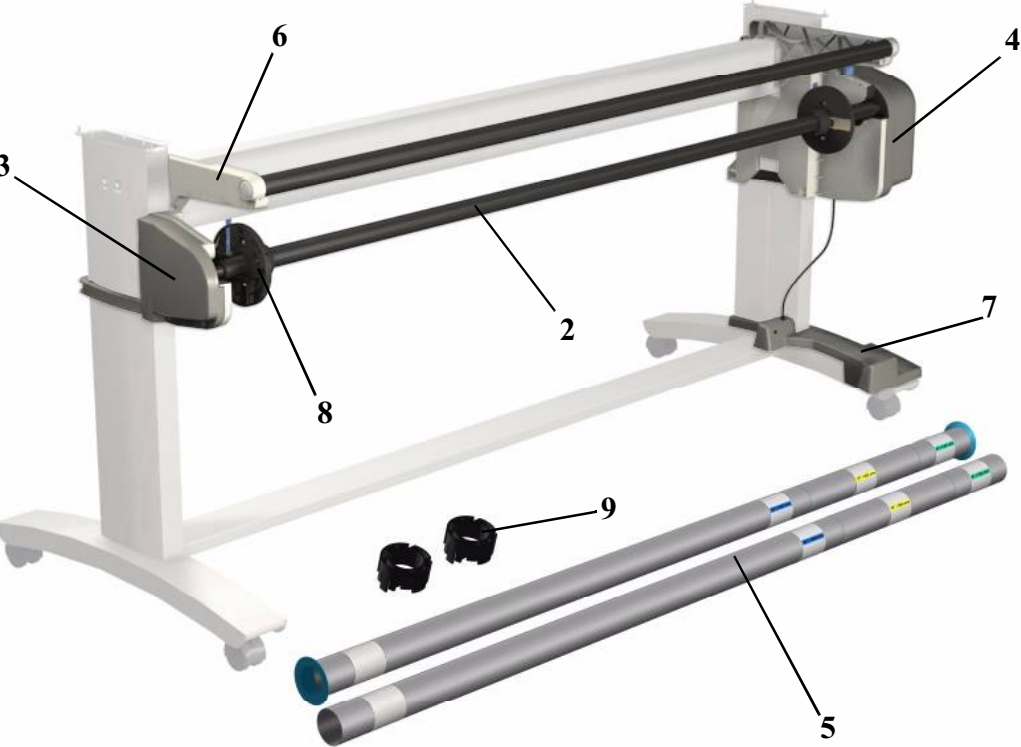
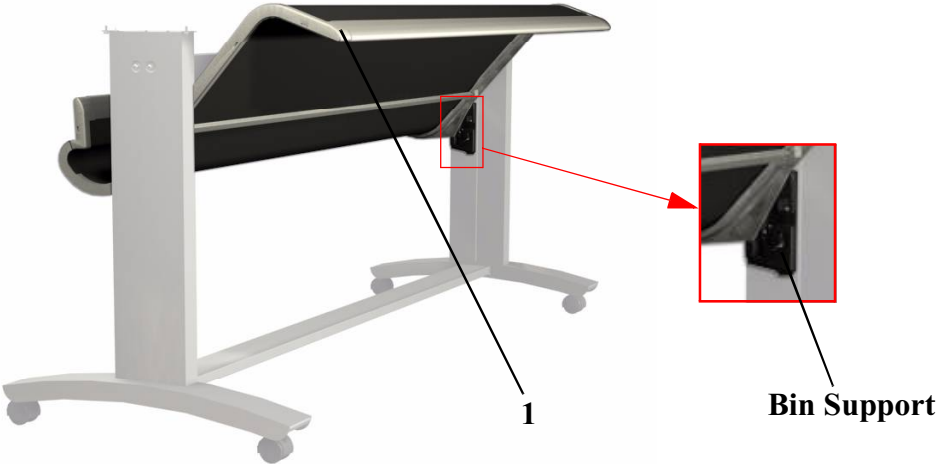


Figure 4: Bin and Take-Up Reel

Right Hand Cover

Right Hand Cover				
Reference on Drawing	HP Part Number		Quantity	Description/Comments
	DJ 5000 Series	DJ 5500 Series		
1	C6090-60038		1	Right Hand Cover (Includes Front Panel Cable)
2	0624-0771		4	Screw
3	0515-4268		1	Screw
4	C6090-60043		1	Right Hand Trim (Includes Window and Lever Sensors)
5	0624-0771		1	Screw
6	0515-2248		1	Screw
7	C6090-60111		1	Front Panel Assembly (Includes Front Panel Cable)
8	C6095-90021	Q1251-90011	1	Overlay (English)
	C6095-90022	Q1251-90012	1	Overlay (Korean)
	C6095-90023	Q1251-90013	1	Overlay (Taiwanese)
	C6095-90024	Q1251-90014	1	Overlay (German)
	C6095-90025	Q1251-90015	1	Overlay (French)
	C6095-90026	Q1251-90016	1	Overlay (Spanish)
	C6095-90027	Q1251-90017	1	Overlay (Italian)
	C6095-90028	Q1251-90018	1	Overlay (Japanese)
	C6095-90029	Q1251-90019	1	Overlay (Portuguese)
	C6095-90030	Q1251-90020	1	Overlay (Chinese)
9	C6095-40065		1	Quick Reference Guide Holder

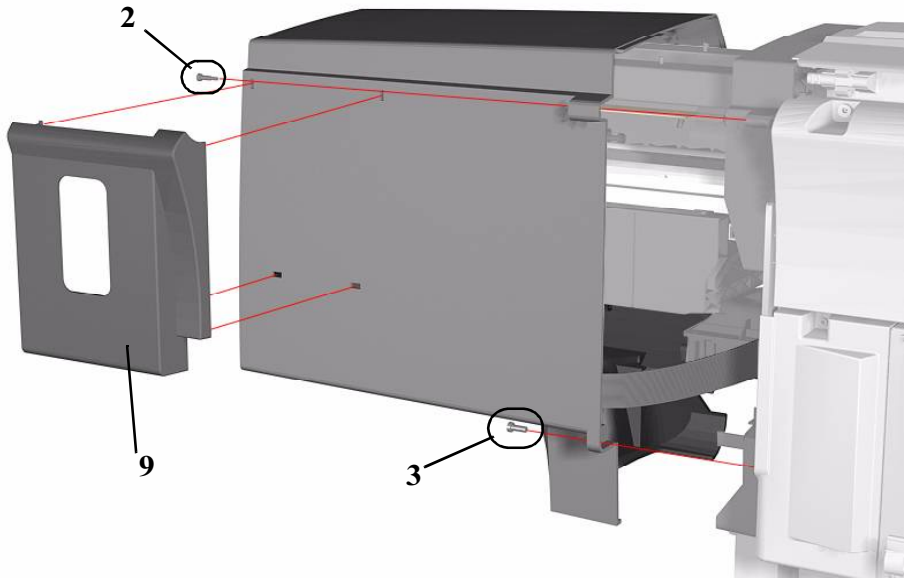
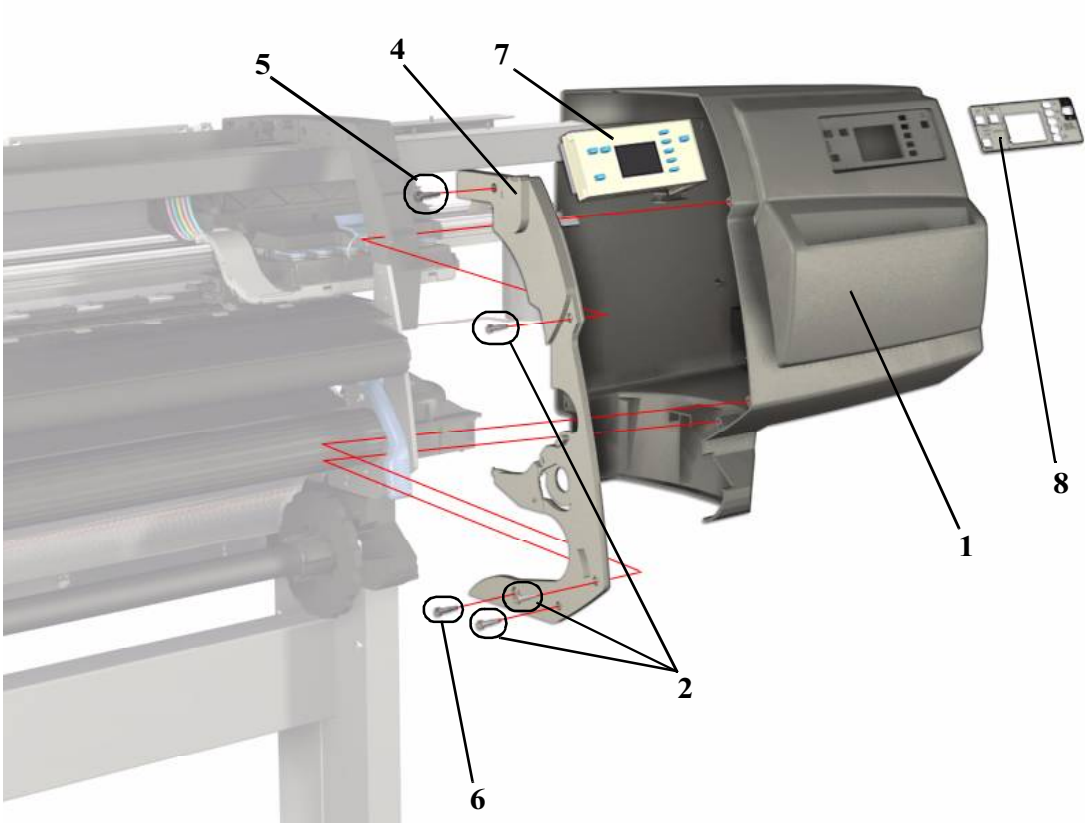


Figure 5: Right Hand Cover

Left Hand Cover and Rear Door

Left Hand Cover and Rear Door				
Reference on Drawing	HP Part Number		Quantity	Description/Comments
	DJ 5000 Series	DJ 5500 Series		
1	C6090-60039		1	Left Hand Cover (includes door)
2	0624-0771		4	Screw
3	0515-4268		1	Screw
4	C6090-60042		1	Left Hand Trim
5	0624-0771		1	Screw
6	0515-2248		1	Screw
7	C6090-60040		1	Rear Door
8	C6091-00139	Q1252-00003	1	Nameplate PS
	C6095-00116	Q1251-00017	1	Nameplate RTL
9	C6090-60040		1	Left Hand Back Door
10	-		1	Adobe PS3 Logo
11	-		1	Pantone Certified Logo

OEM Logos				
Reference on Drawing	HP Part Number		Quantity	Description/Comments
	DJ 5000 Series	DJ 5500 Series		
8	C6090-00235	-	1	Matchprint InkJet Proofer 5042 Nameplate
	C6090-00220	-	1	Matchprint InkJet Proofer 5060 Nameplate
	-	-	1	Matchprint InkJet Proofer 5542 Nameplate
	-	-	1	Matchprint InkJet Proofer 5560 Nameplate
	-	-	1	EagleJet
12	C6090-00244		1	HP Technology Logo

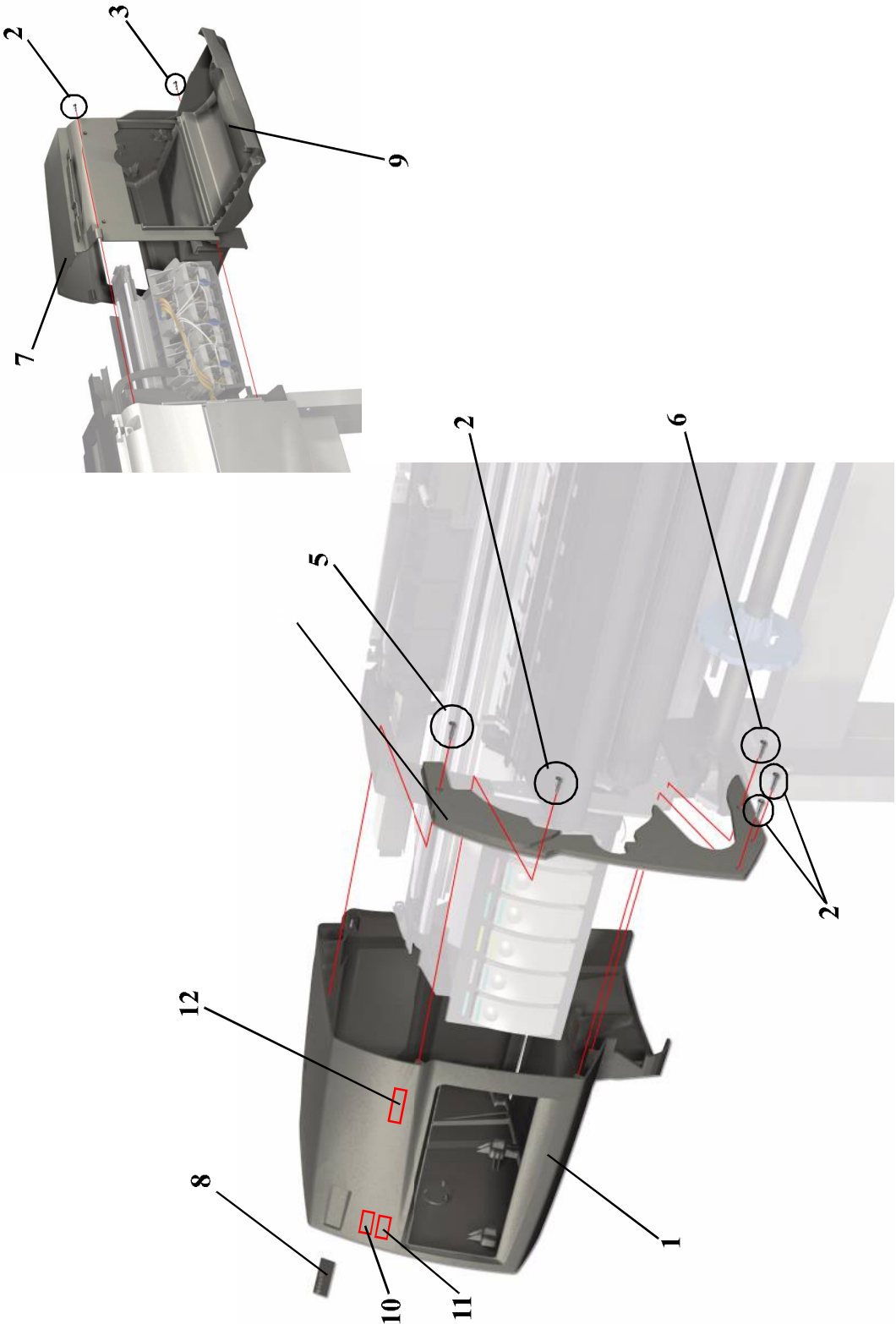


Figure 6: Left Hand Cover and Rear Door

Top and Back Covers

Top and Back Covers				
Reference on Drawing	HP Part Number		Quantity	Description/Comments
	DJ 5000 Series	DJ 5500 Series		
1	C6095-60278	-	1	Top Cover (60" Model)
	C6090-60291	-	1	Top Cover (42" Model)
	-	Q1253-60012	1	Black Top Cover (60" Model)
	-	Q1251-60032	1	Black Top Cover (42" Model)
2	C6095-60141		1	Back Cover (60" Model)
	C6090-60037		1	Back Cover (42" Model)
3	0515-0382		8 (60")/6 (42")	Screw
4	C6071-20026		3	Screw

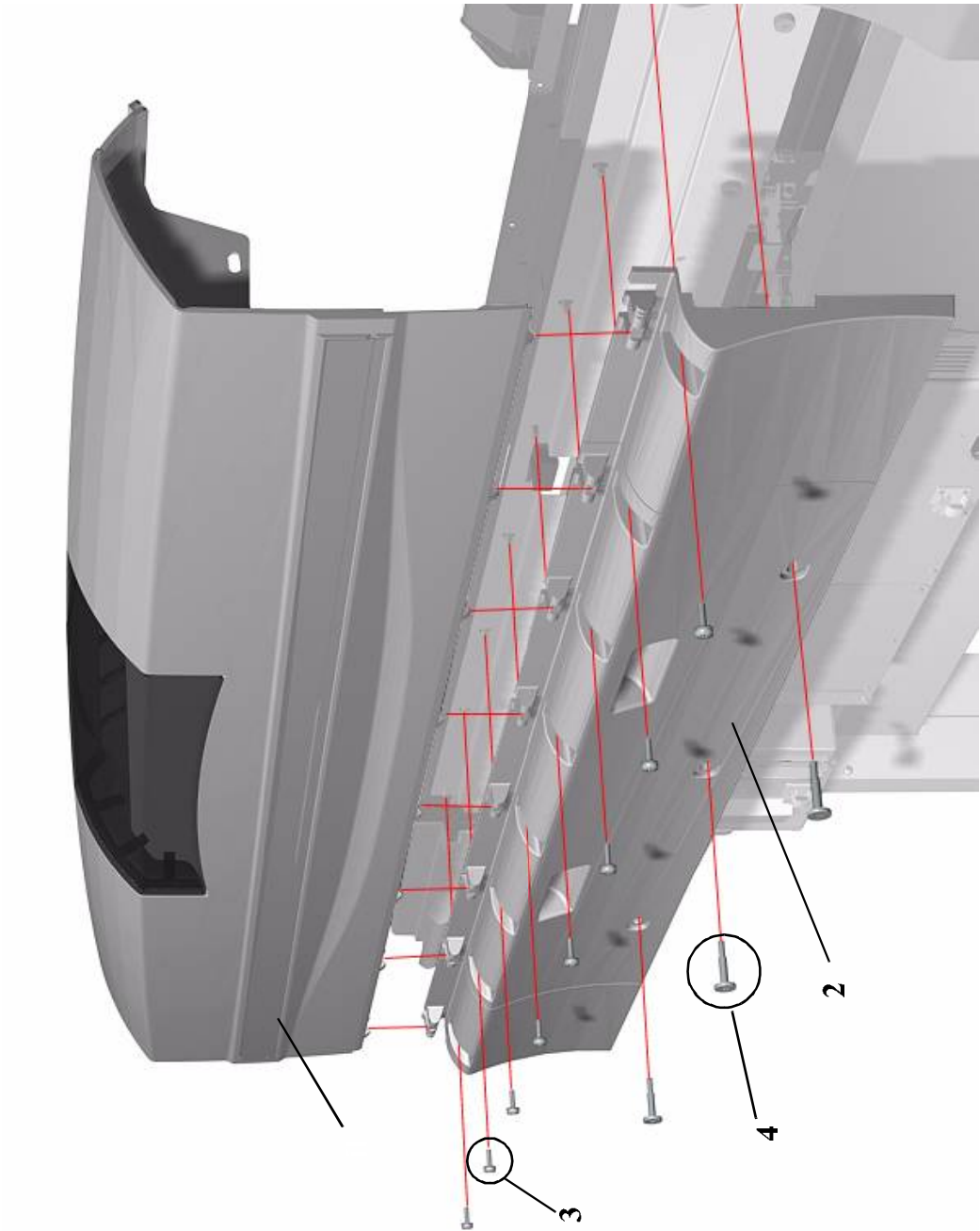


Figure 7: Top and Back Covers

Service Station

Service Station				
Reference on Drawing	HP Part Number		Quantity	Description/Comments
	DJ 5000 Series	DJ 5500 Series		
1	C6090-60083		1	Service Station Assembly (Includes Drop Detector and Primer Assembly)
2	0624-0771		2	Screw
3	0515-1743		1	Screw
4	C6072-60179		1	Drop Detector Assembly (Includes Spittoon Foam and screw)
5	0624-0771		1	Drop Detector Screw

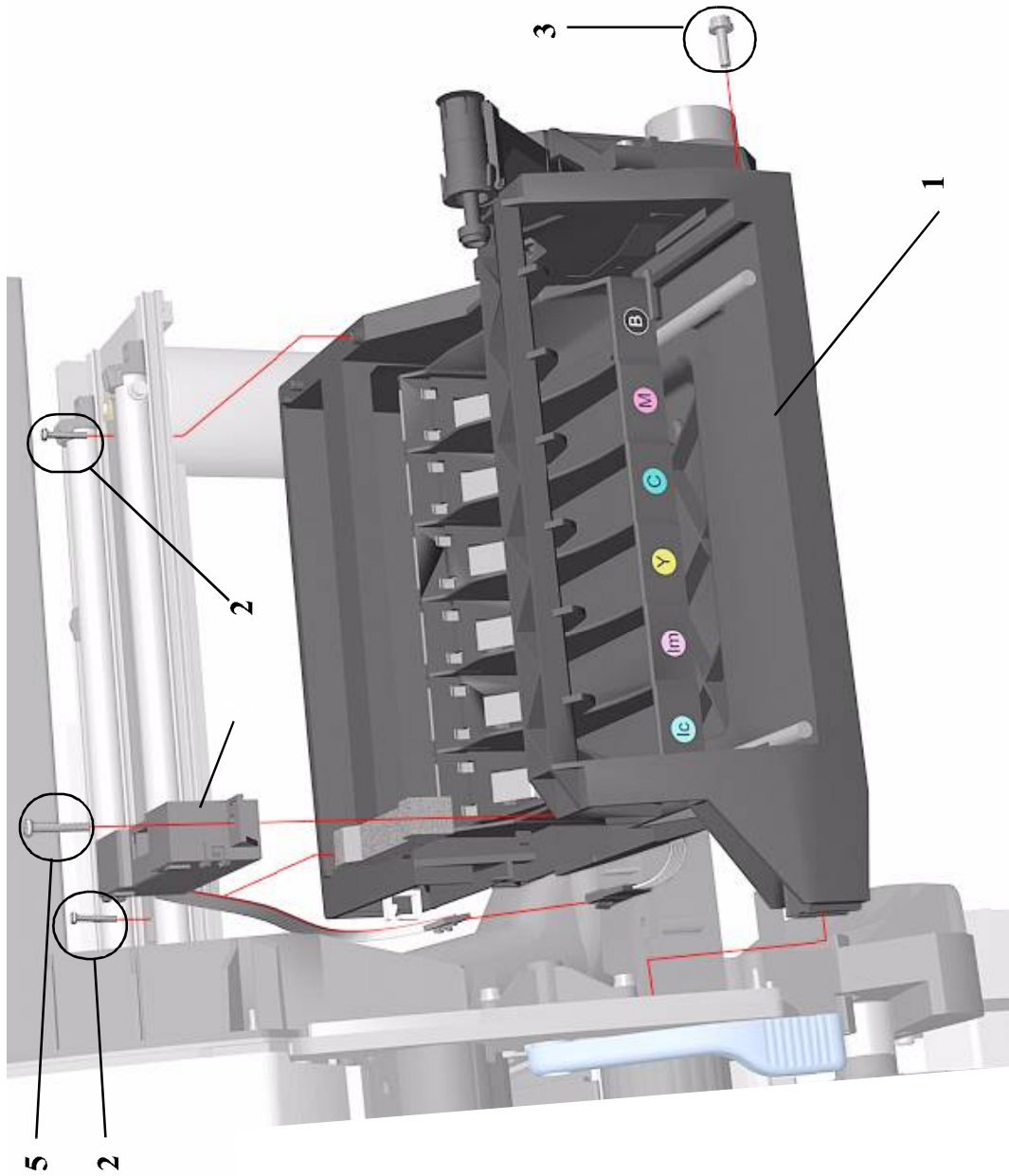


Figure 8: Service Station

Vacuum Fan

Vacuum Fan				
Reference on Drawing	HP Part Number		Quantity	Description/Comments
	DJ 5000 Series	DJ 5500 Series		
1	C6090-60095		1	Vacuum Fan
2	0515-2248		4	Screw

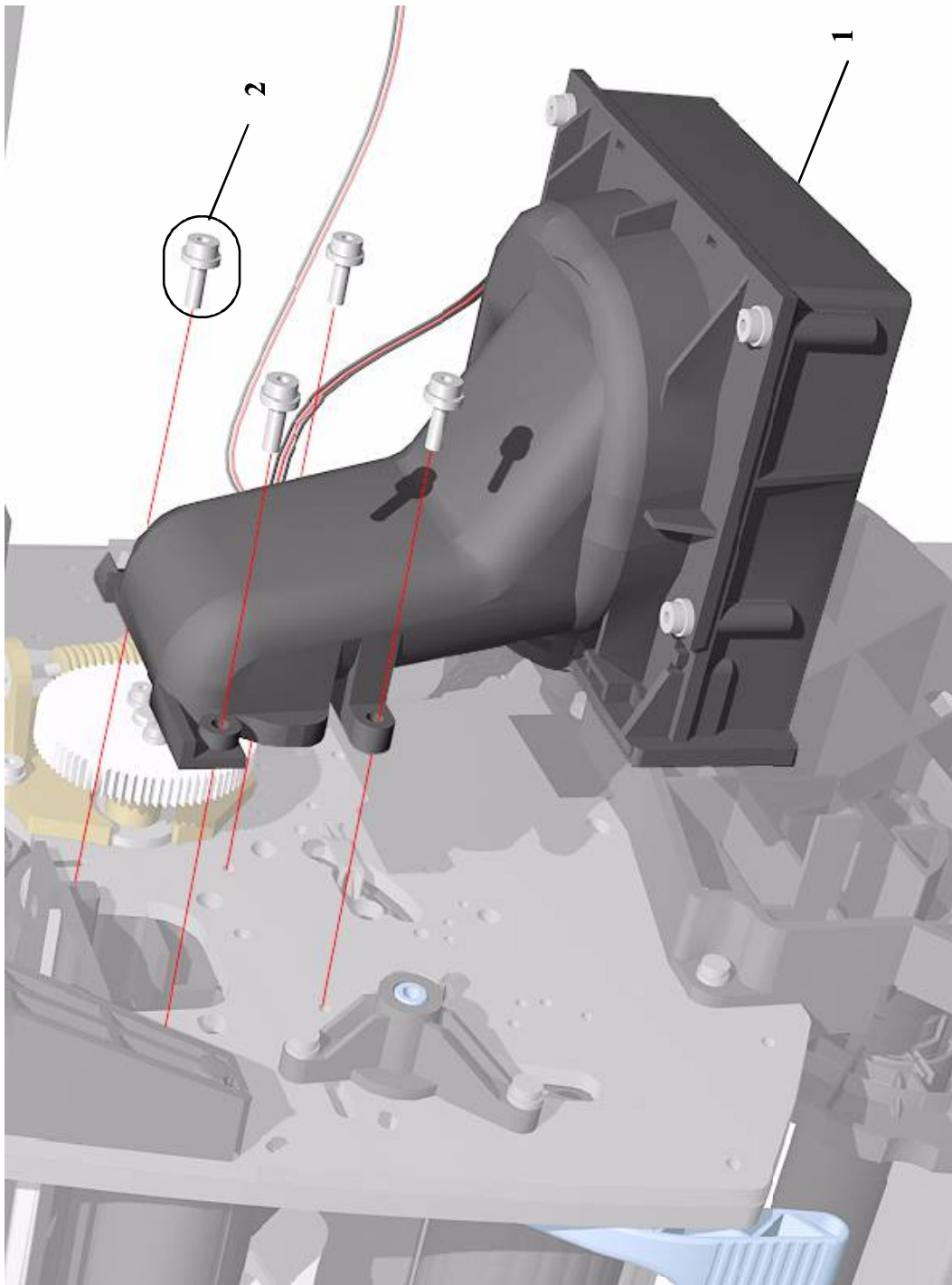


Figure 9: Vacuum Fan

Booster Fan and Media Sensor

Booster Fan and Media Sensor				
Reference on Drawing	HP Part Number		Quantity	Description/Comments
	DJ 5000 Series	DJ 5500 Series		
1	C6090-60093		1	Booster Fan
2	0515-2248		2	Screw
3	C6090-60103		1	Media Sensor

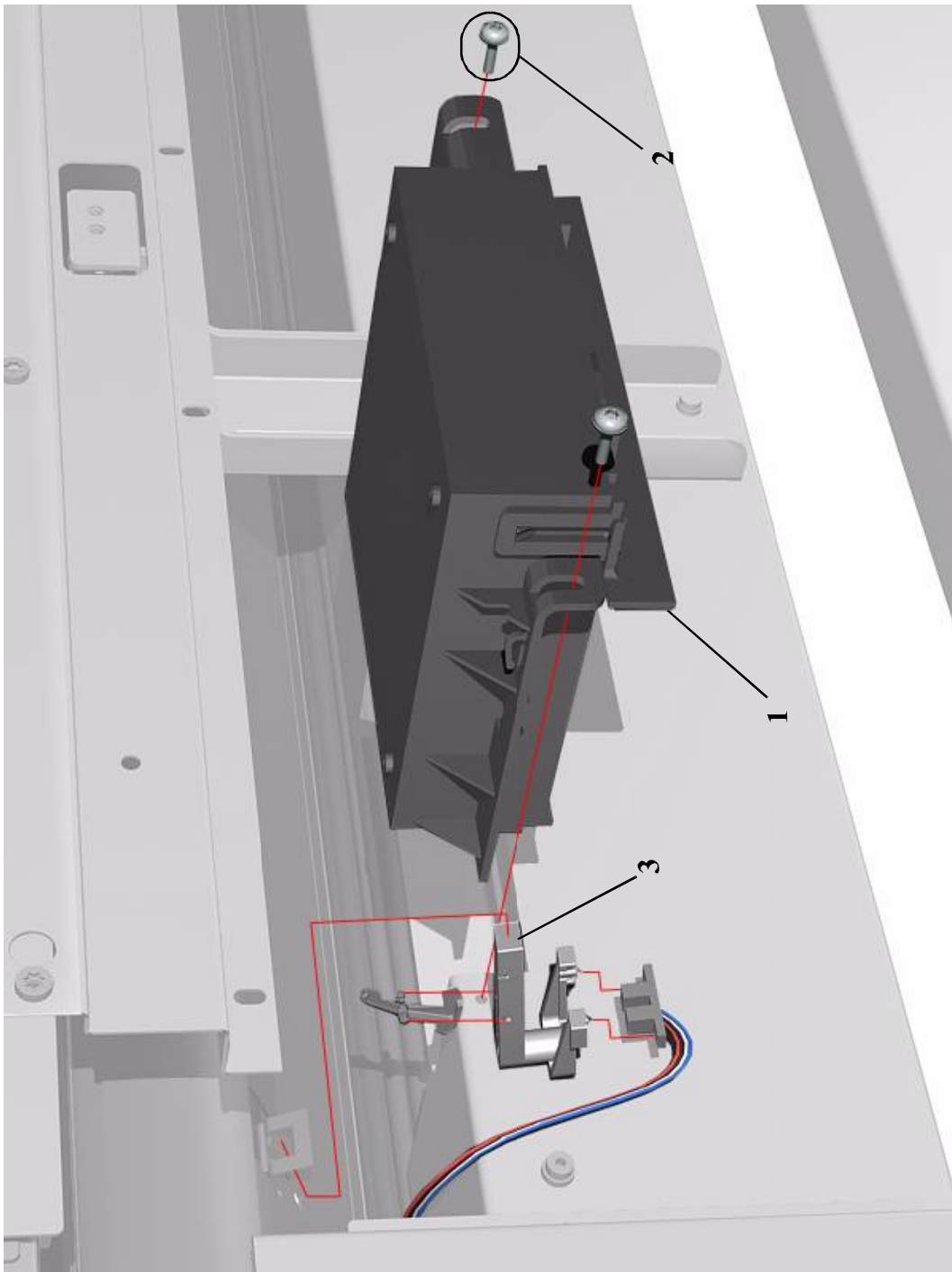


Figure 10: Booster Fan and Media Sensor

Paper-Axis Motor

Paper-Axis Motor				
Reference on Drawing	HP Part Number		Quantity	Description/Comments
	DJ 5000 Series	DJ 5500 Series		
1	C6072-60160		1	Paper-Axis Motor Assembly (includes Helical Gear and Grease)
2	0515-2248		3	Screw
3	0515-1743		2	Screw (Helical gear)

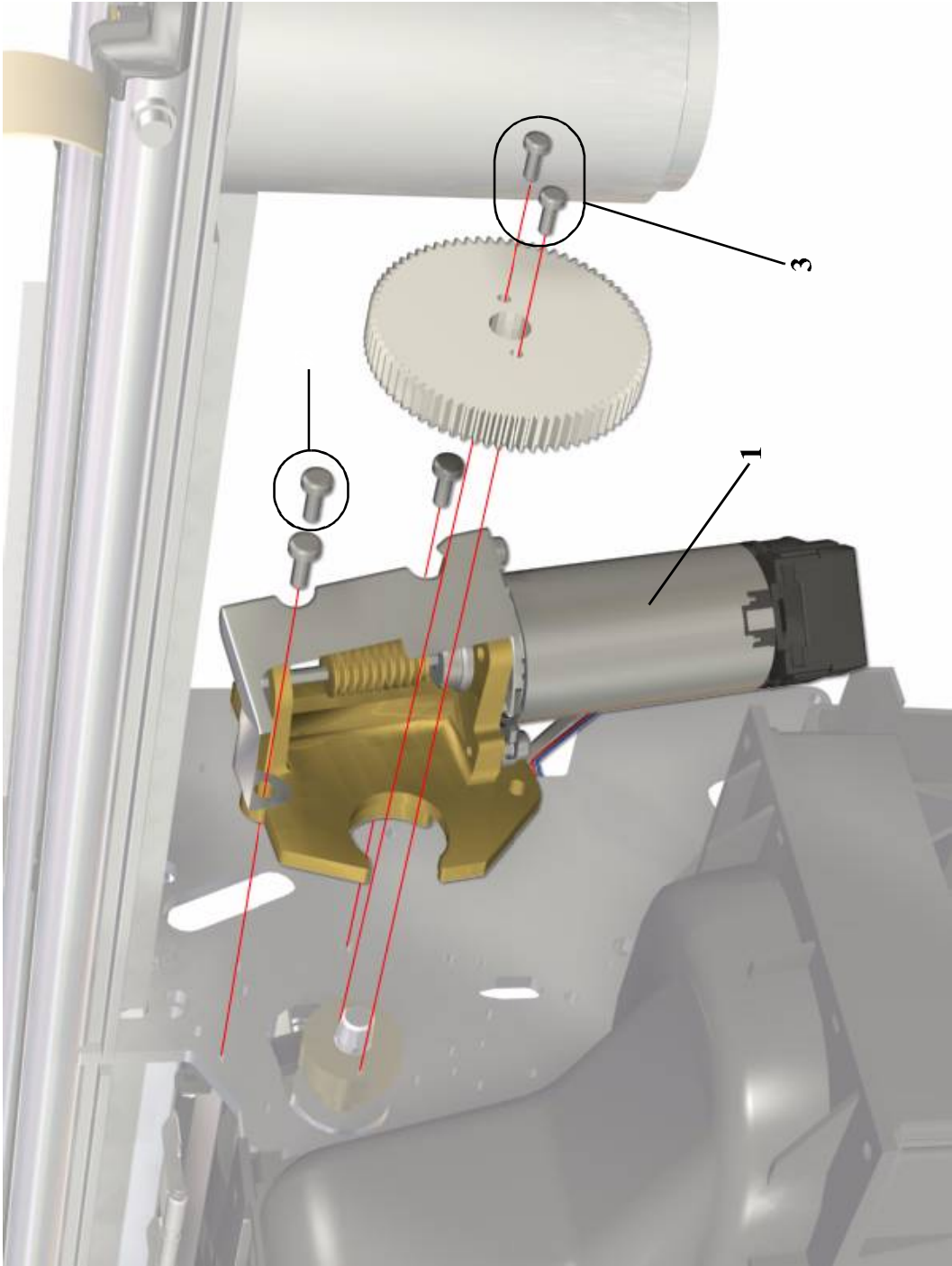


Figure 11: Paper-Axis Motor

Scan-Axis Motor

Scan-Axis Motor				
Reference on Drawing	HP Part Number		Quantity	Description/Comments
	DJ 5000 Series	DJ 5500 Series		
1	C6090-60092		1	Scan-Axis Motor Assembly
2	0515-0382		2	Screw

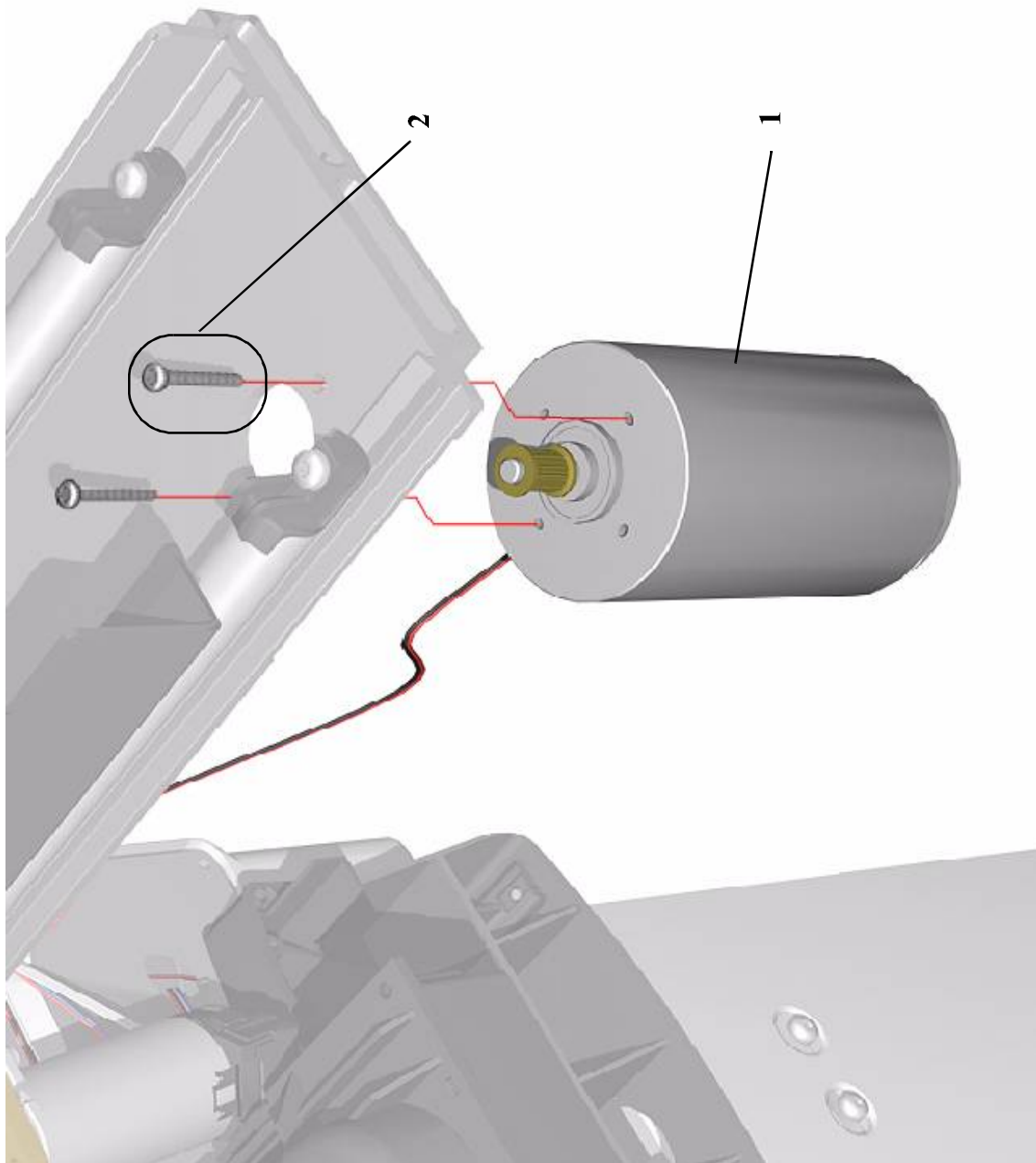


Figure 12: Scan-Axis Motor

ISS and APS Assembly

ISS and APS Assembly				
Reference on Drawing	HP Part Number		Quantity	Description/Comments
	DJ 5000 Series	DJ 5500 Series		
1	C6090-60085		1	Ink Supply Station (ISS) (Includes Grounding Strip)
2	C6090-60084		1	Air Pressurization System (APS)

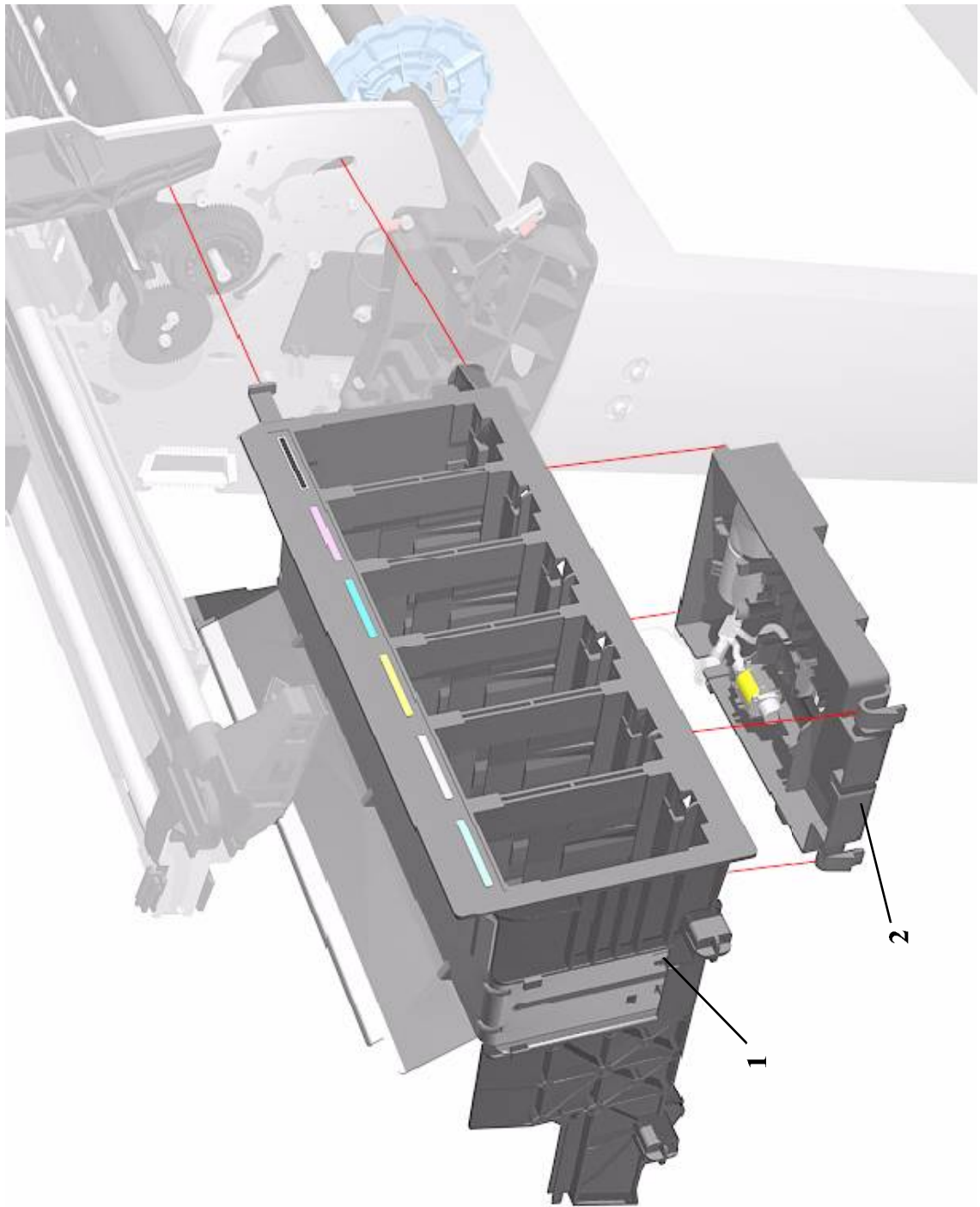


Figure 13: ISS and APS Assembly

Ink Tubes System

Ink Tubes System				
Reference on Drawing	HP Part Number		Quantity	Description/Comments
	DJ 5000 Series	DJ 5500 Series		
1	C6095-60186		1	Dye Ink Tubes System (60" Model) (Includes Setup Printheads and Carrier Clip)
	C6090-60058		1	Dye Ink Tubes System (42" Model) (Includes Setup Printheads and Carrier Clip)
	C6090-60231		1	UV Ink Tubes System (60" Model) (Includes Setup Printheads and Carrier Clip)
	C6090-60232		1	UV Ink Tubes System (42" Model) (Includes Setup Printheads and Carrier Clip)
-	C6090-60106		6	Setup Printheads (Also included in Ink Tubes System)
2	C6090-60235		1	Printhead Storage Container



Figure 14: Ink Tubes System

Boot ROM DIMM, DRAM Memory and Covers

Boot ROM DIMM, DRAM Memory and Covers				
Reference on Drawing	HP Part Number		Quantity	Description/Comments
	DJ 5000 Series	DJ 5500 Series		
1	J6057-61001		1	EIO Card (615N)
2	-		1	EIO Card Cover
3	C6072-60176		1	DIMM Cover
4	0515-2246		4	Screw
5	C6090-60187		1	SDRAM DIMM 64MB
	C6090-60185		1	SDRAM DIMM 128MB
6	C6091-60008	-	1	PS Boot ROM DIMM A.01.01
	C6090-60027	-	1	RTL Boot ROM DIMM A.01.01
	-	Q1252-60003	1	PS Boot ROM DIMM 05.00.01
	-	Q1251-60066	1	RTL Boot ROM DIMM 05.00.01

OEM Boot ROM DIMM				
Reference on Drawing	HP Part Number		Quantity	Description/Comments
	DJ 5000 Series	DJ 5500 Series		
6	-	Q1252-60006	1	OEM PS Boot ROM DIMM 06.00.01
	-	Q1251-60089	1	OEM RTL Boot ROM DIMM 06.00.01
	C6090-60299	-	1	OEM RTL Boot ROM DIMM 02.01.02

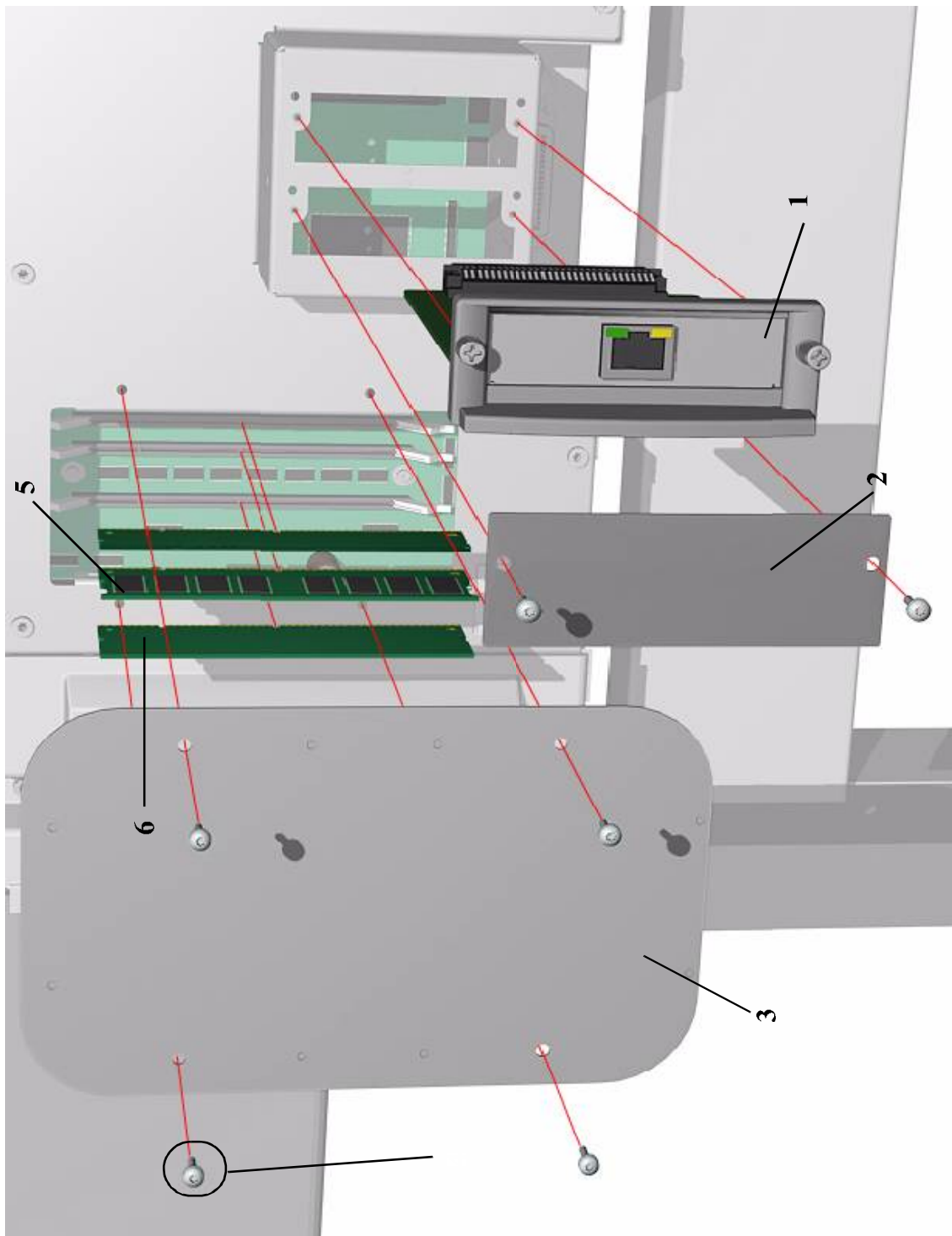


Figure 15: BootROM, Memory and Covers

Rear Electronics Access Covers

Rear Electronics Access Covers				
Reference on Drawing	HP Part Number		Quantity	Description/Comments
	DJ 5000 Series	DJ 5500 Series		
1	Q1251-60085		1	Right Rear Cover
2	0515-0382		1	Screw
3	Q1251-60086		1	Left Rear Cover
4	0515-0382		1	Screw
5	C6095-60140		1	Extension Cover (60" Model only)
6	0515-0382		4	Screw
7	C6090-60032		1	Electronics Module Cover (Includes EIO Cover and Hard Disk Cover)
8	0515-0382		15	Electronics Module Cover Screw
-	C6090-60109		1	Electronics Cable Retainer

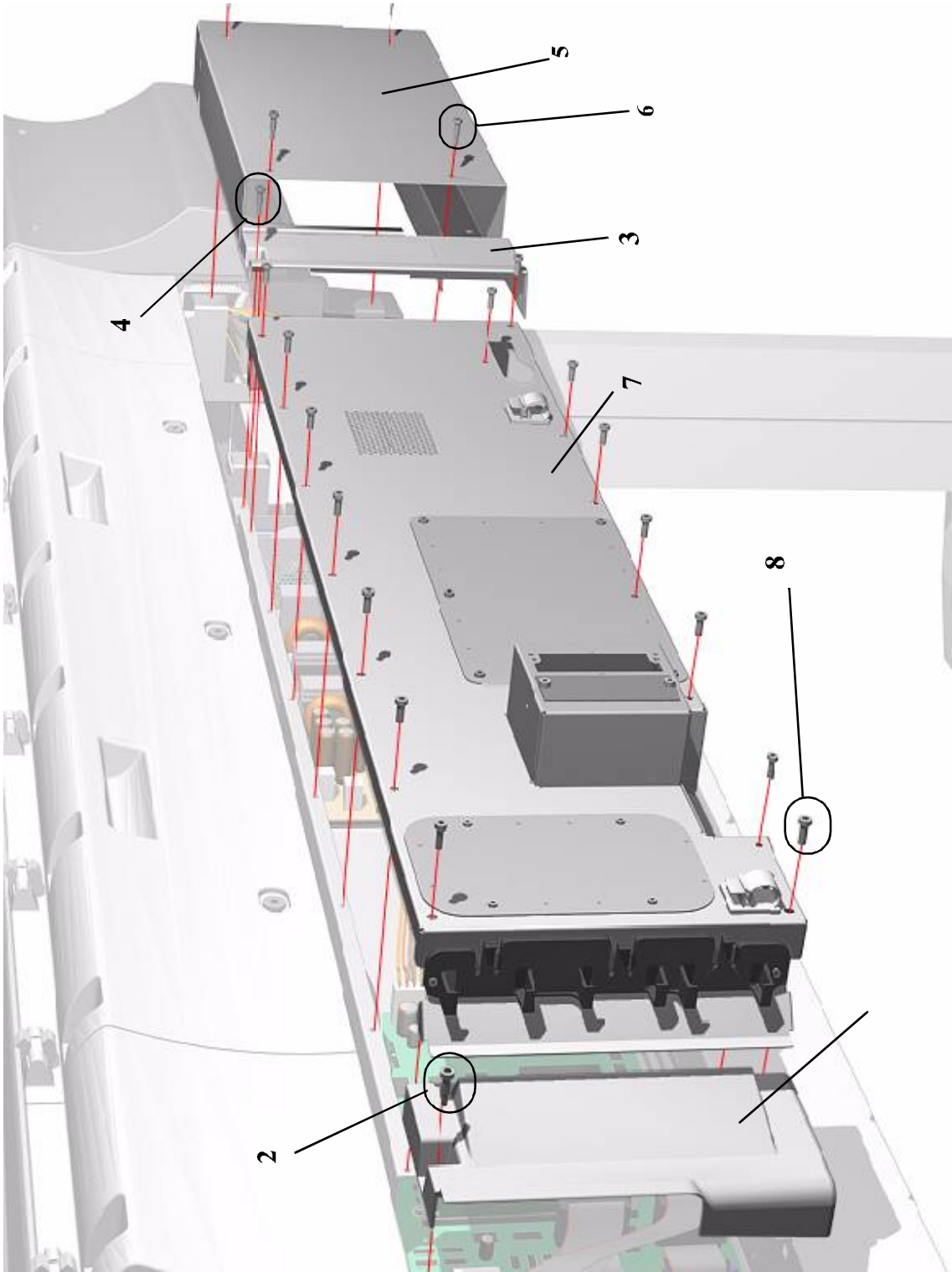


Figure 16: Rear Electronics Access Covers

Hard Disk Drive and Cover

Hard Disk Drive and Cover				
Reference on Drawing	HP Part Number		Quantity	Description/Comments
	DJ 5000 Series	DJ 5500 Series		
1	C6091-60255	-	1	Hard Disk Drive PS A.02.12 (includes data cable and power cable)
	C6090-60303	-	1	Hard Disk Drive RTL A.02.12 (includes data cable and power cable)
	-	Q1252-60004	1	Hard Disk Drive PS S.03.11 (includes data cable and power cable)
	-	Q1251-60067	1	Hard Disk Drive RTL S.03.11 (includes data cable and power cable)
2	C6095-00031		1	HDD Cover
3	0515-0382		6	Screw

OEM Hard Disk Drive				
Reference on Drawing	HP Part Number		Quantity	Description/Comments
	DJ 5000 Series	DJ 5500 Series		
1	-	Q1252-60007	1	OEM Hard Disk Drive PS O.03.10 (includes data cable and power cable) Used on EagleJet Systems
	-	Q1251-60090	1	OEM Hard Disk Drive RTL K.03.10 (includes data cable and power cable) Used on KPG Matchprint Inkjet Proofing Systems
	C6090-60300	-	1	OEM Hard Disk Drive RTL O.02.11+ (includes data cable and power cable)

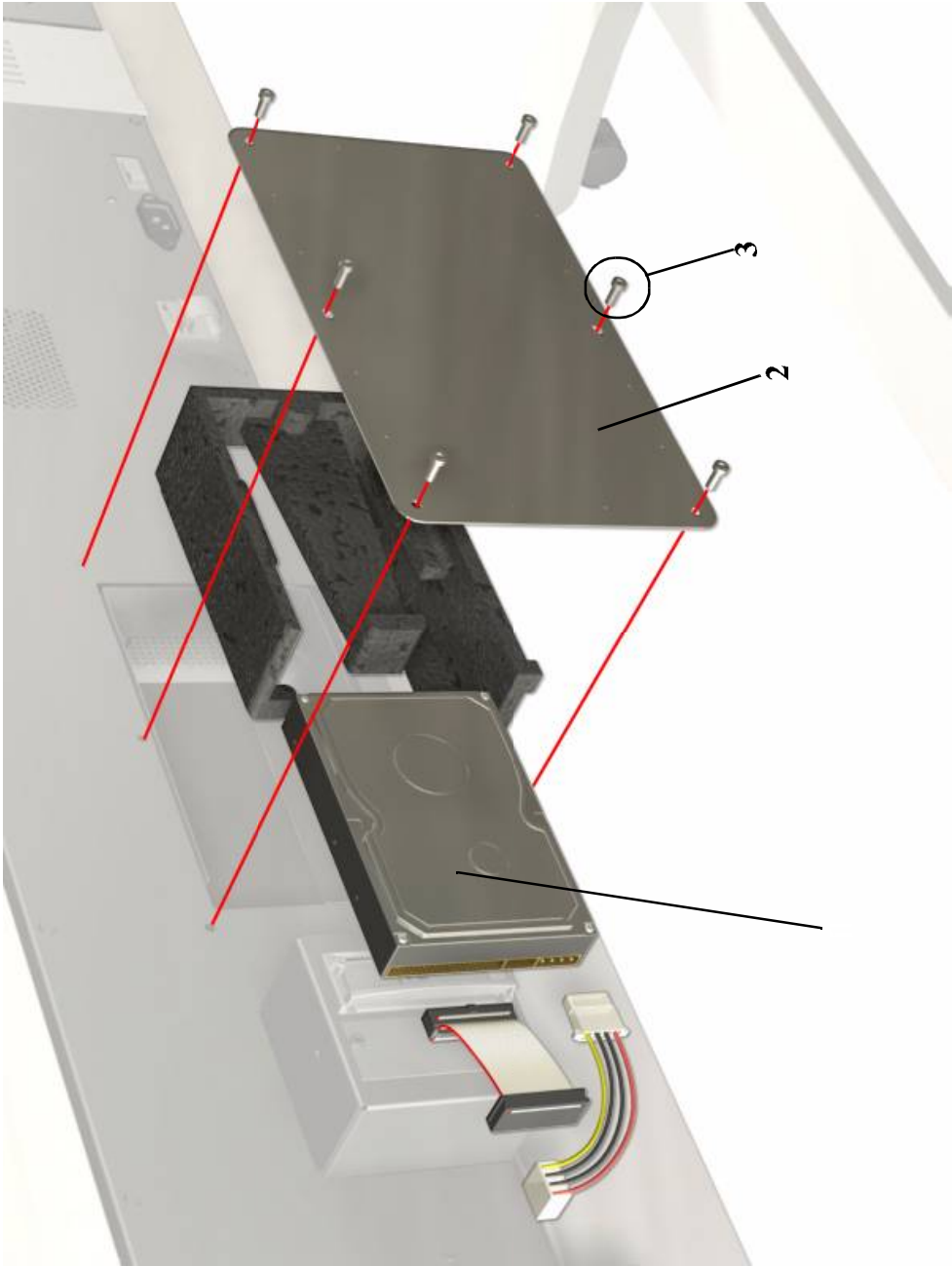


Figure 17: Hard Disk Drive and Cover

ISS PCA and Main PCA

ISS PCA and Main PCA				
Reference on Drawing	HP Part Number		Quantity	Description/Comments
	DJ 5000 Series	DJ 5500 Series		
1	C6090-60012	Q1251-60030	1	Main PCA
2	0515-2200		11	Screw
3	C6090-60041		1	ISS PCA (Includes ISS PCA cable)
4	0515-2200		5	Screw
5	C6090-60318		1	PCI-to-IDE PCA

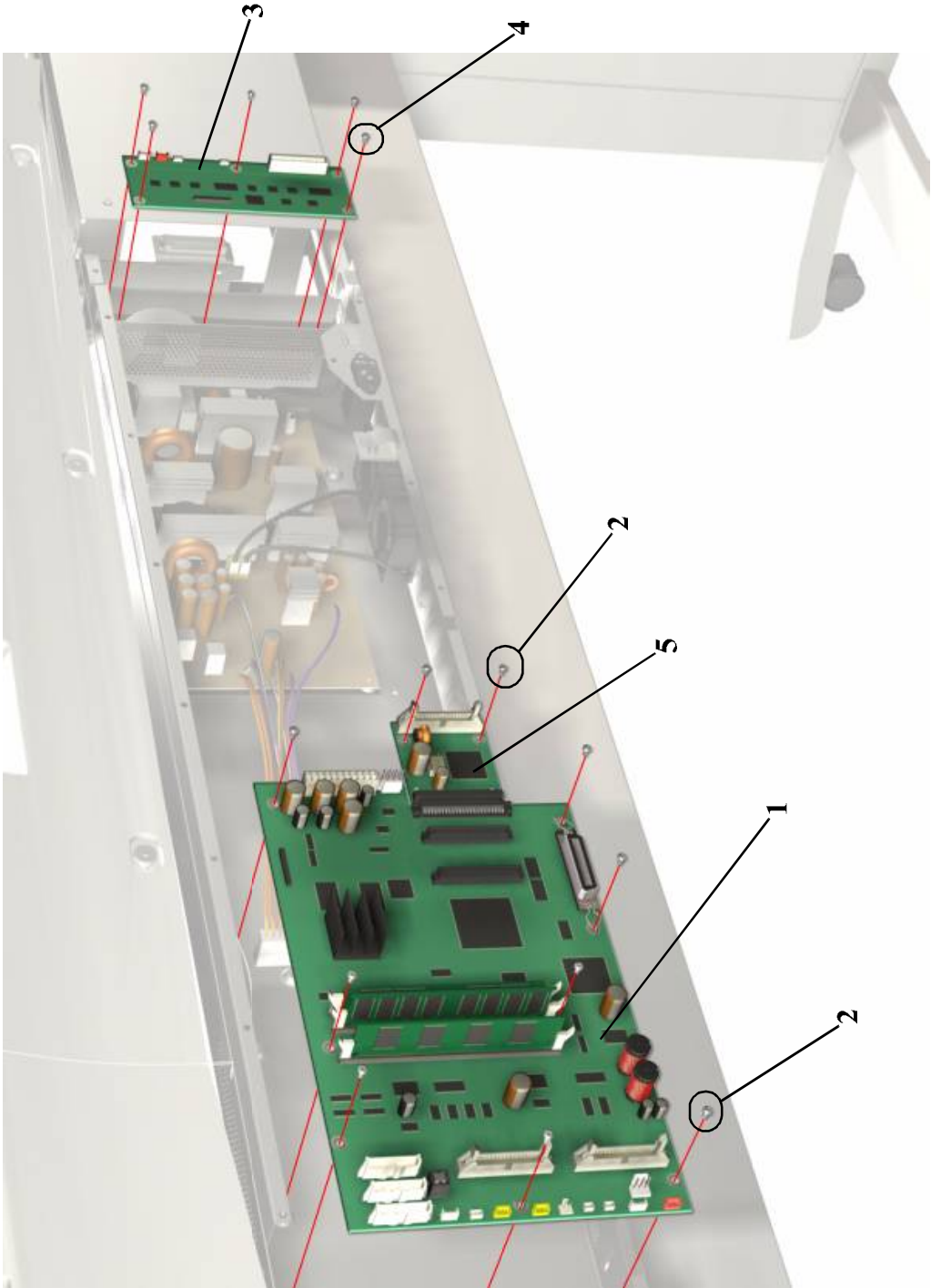


Figure 18: ISS PCA and Main PCA

Power Supply Unit

Power Supply Unit				
Reference on Drawing	HP Part Number		Quantity	Description/Comments
	DJ 5000 Series	DJ 5500 Series		
1	C6090-60028	C6090-60315	1	Power Supply Unit
2	0515-2200		7	Screw
3	C6090-60029		2	Cooling Fans
4	0515-2278		4	Screw
5	C6090-60033	C6090-60316	1	Electronics Module Base (includes Power Supply Unit and cooling fans)
6	0515-0382		4	Screw

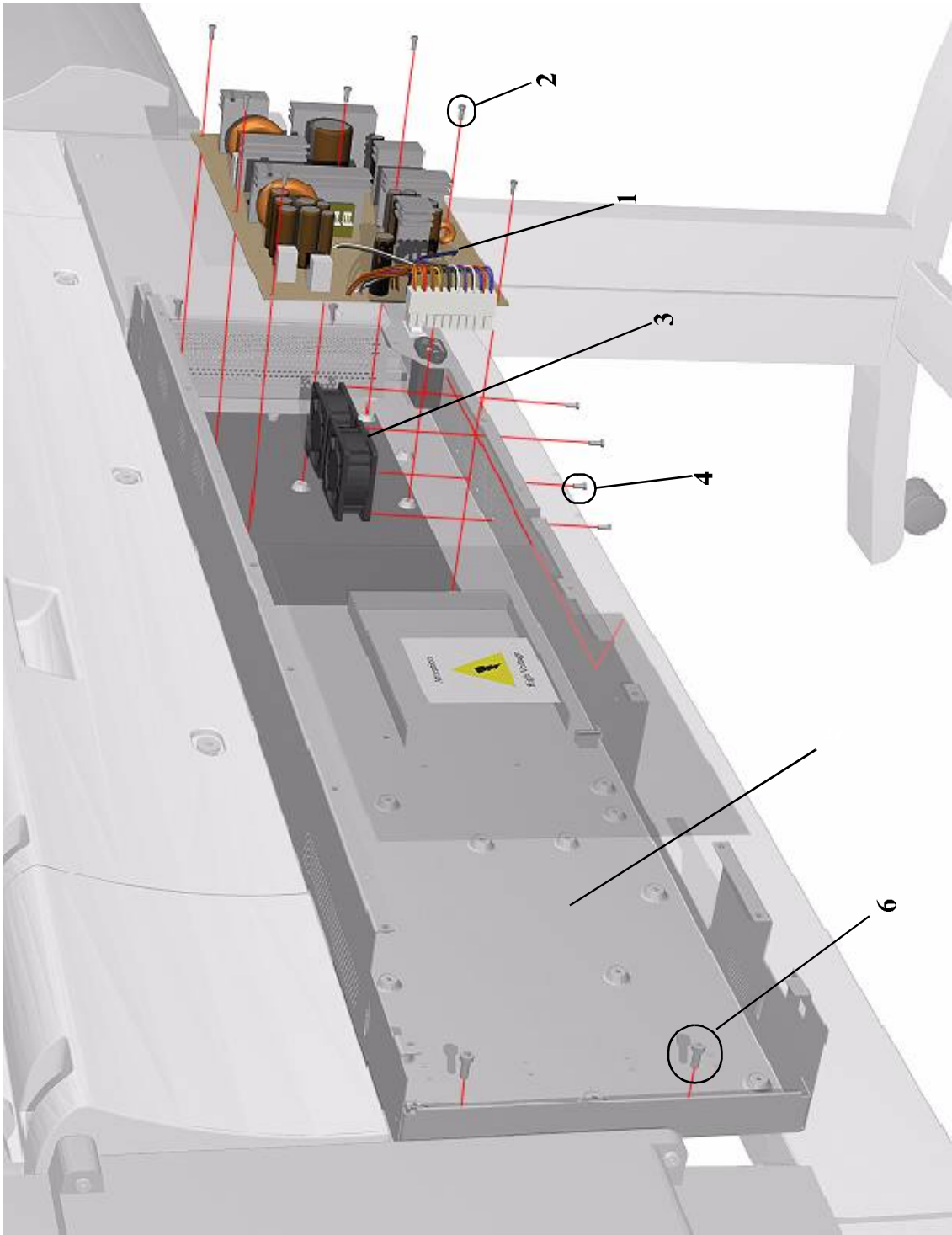


Figure 19: Power Supply Unit

Carriage Assembly

Carriage Assembly				
Reference on Drawing	HP Part Number		Quantity	Description/Comments
	DJ 5000 Series	DJ 5500 Series		
1	C6090-60236	Q1251-60070	1	Carriage Assembly (Includes Carriage Height Tool, Cutter Assembly and Line Sensor)
2	C6090-60094		1	Cutter Assembly (Includes Screw and Washer)
3	0624-0737		1	Screw
	3050-1982		1	Washer for cutter screw
4	C6095-60184		1	Trailing Cable (60" Model) (Includes Trailing Cable Clip and screws, Cover Cap, Trailing Ferrite)
	C6090-60060		1	Trailing Cable (42" Model) (Includes Trailing Cable Clip and screws, Cover Cap, Trailing Ferrite)
5	C6090-60285	Q1251-60074	1	Line Sensor
-	C6071-60166		1	Carriage Height Tool (Also Included with the Carriage Assembly)

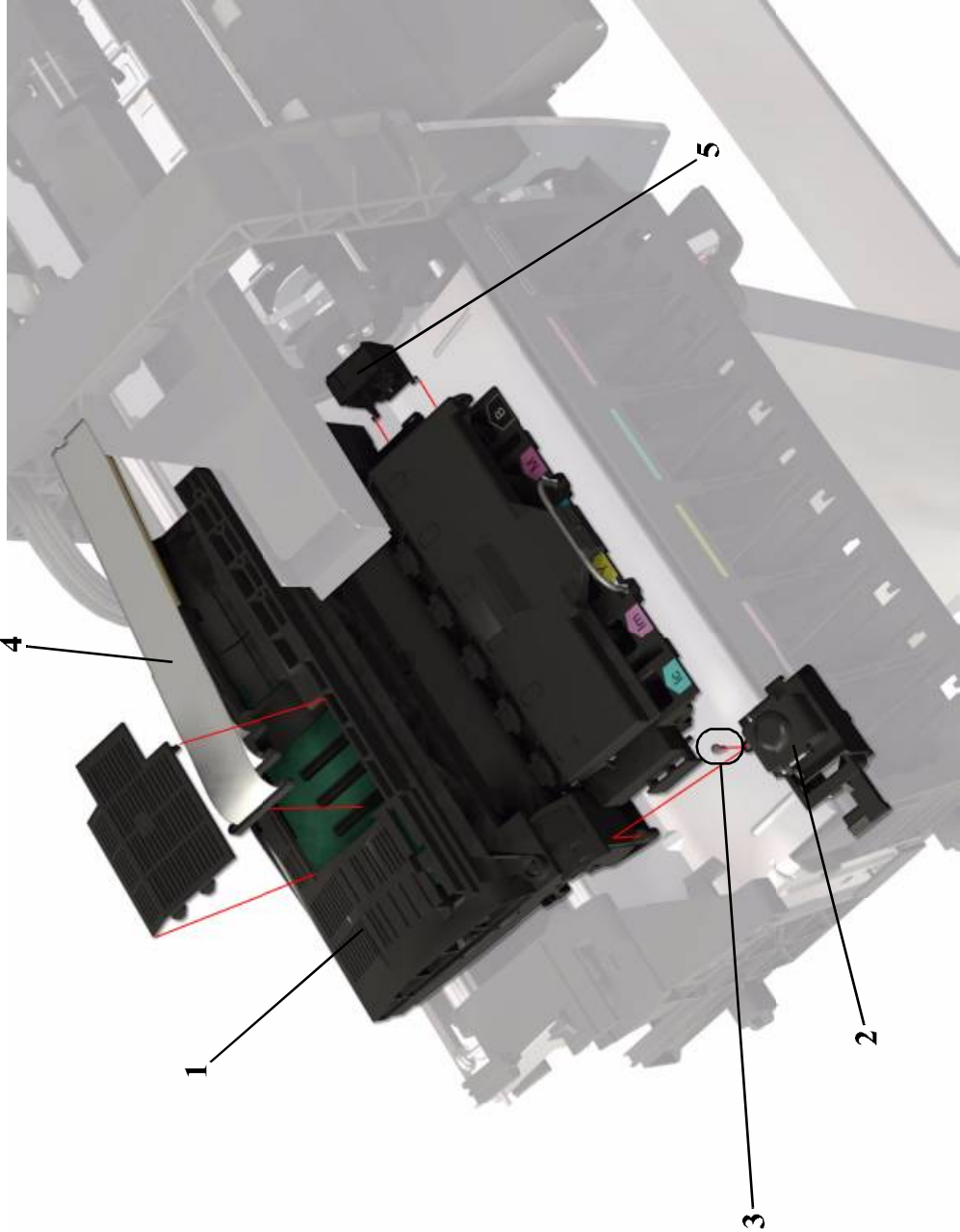


Figure 20: Carriage Assembly

Tensioner Assembly and Encoder Strip

Tensioner Assembly and Encoder Strip				
Reference on Drawing	HP Part Number		Quantity	Description/Comments
	DJ 5000 Series	DJ 5500 Series		
1	C6090-60088		1	Tensioner Assembly (Includes Pulley Assembly, Pulley Spring, Wedge and Actuator Arm)
2	0515-2248		1	Screw
3	C6095-60183		1	Belt (60" Model)
	C6090-60072		1	Belt (42" Model)
4	C6095-60265		1	Encoder Strip (60" Model)
	C6090-60267		1	Encoder Strip (42" Model)
5	0535-0031		2	Nut
-	3050-0026		2	Washer

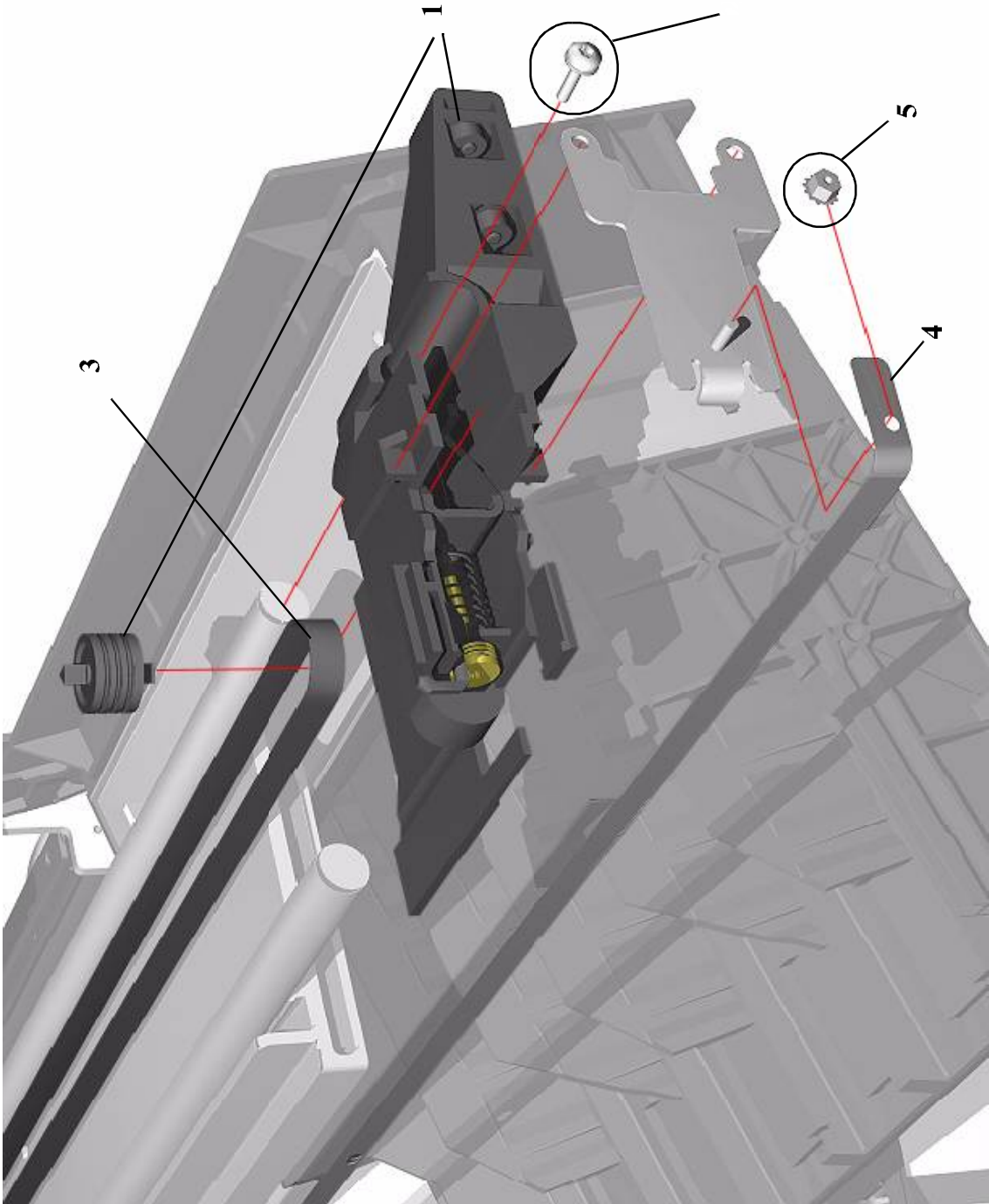


Figure 21: Tensioner Assembly and Encoder Strip

Platen Assemblies - DesignJet 5000 Series

Platen Assemblies - DesignJet 5000 Series			
Reference on Drawing	HP Part Number	Quantity	Description/Comments
1	C6095-60174	1	Front Platen Assembly (including screws) (60" Model)
	C6090-60079	1	Front Platen Assembly (including screws) (42" Model)
2	C6095-60284	1	Center Platen Assembly (including screws and Carriage Height Tool) (60" Model)
	C6090-60311	1	Center Platen Assembly (including screws and Carriage Height Tool) (42" Model)
3	C6090-60096	1	Drive Roller Gear
4	C6071-20005	1	Screw

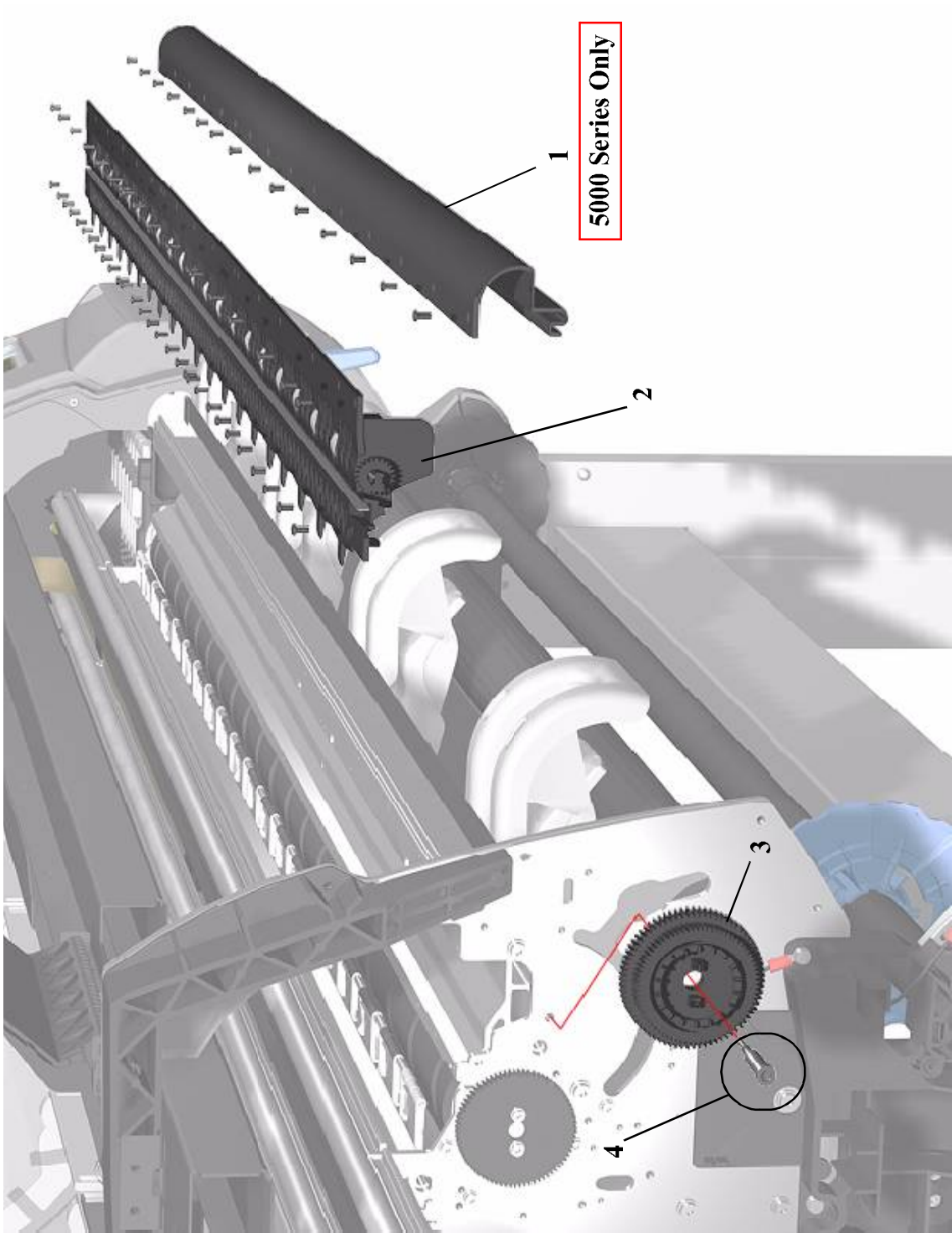


Figure 22: Platen Assemblies - DesignJet 5000 Series

Platen Assemblies - DesignJet 5500 Series

Platen Assemblies - DesignJet 5500 Series			
Reference on Drawing	HP Part Number	Quantity	Description/Comments
1	Q1253-60011	1	Heater Assembly (including screws) (60" Model)
	Q1251-60031	1	Heater Assembly (including screws) (42" Model)
2	C6095-60284	1	Center Platen Assembly (including screws and Carriage Height Tool) (60" Model)
	C6090-60311	1	Center Platen Assembly (including screws and Carriage Height Tool) (42" Model)
3	C6090-60096	1	Drive Roller Gear
4	C6071-20005	1	Screw

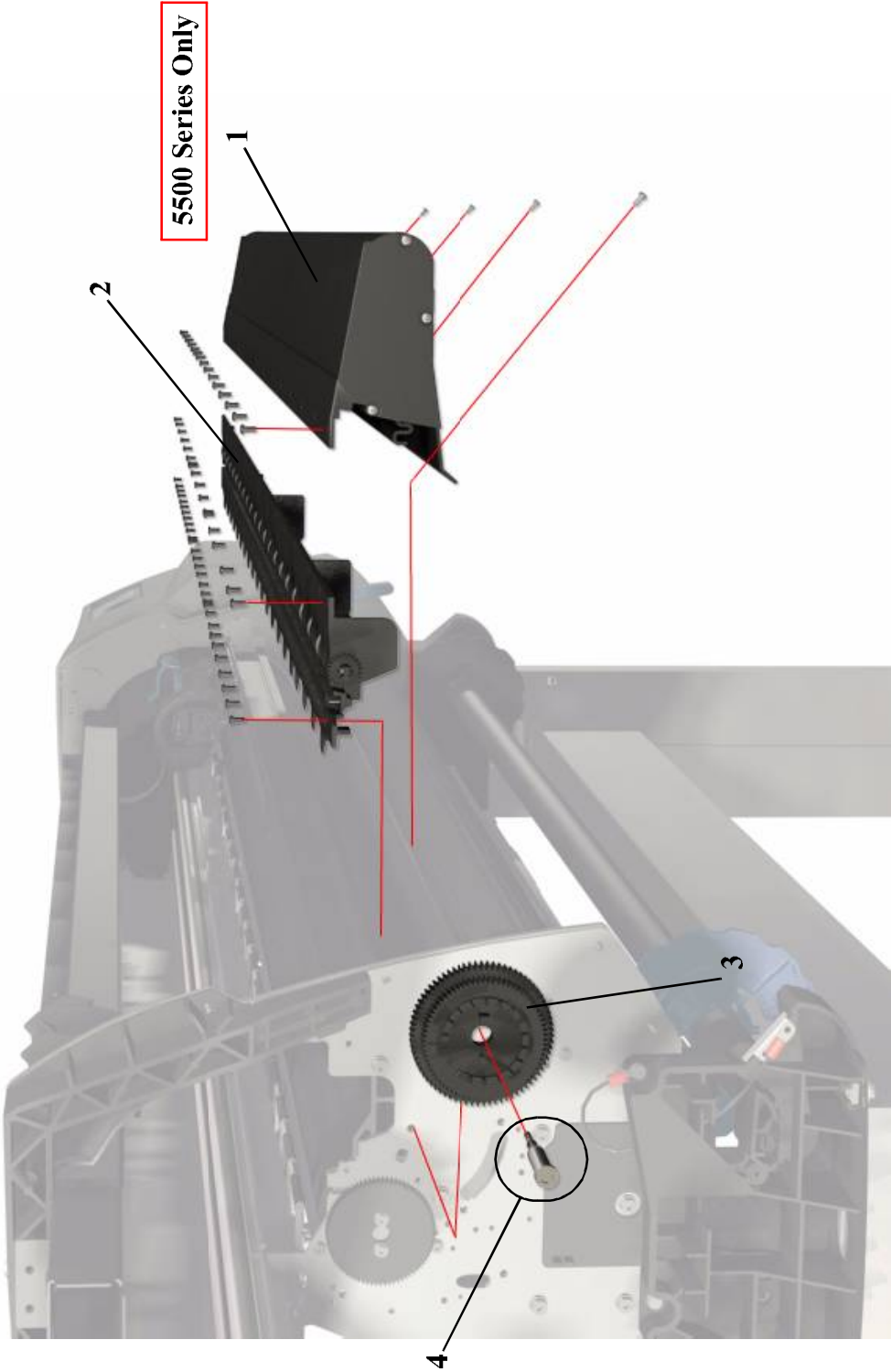


Figure 23: Platen Assemblies - DesignJet 5500 Series

Pinch-Wheels Assembly and Lever

Pinch-Wheels Assembly and Lever				
Reference on Drawing	HP Part Number		Quantity	Description/Comments
	DJ 5000 Series	DJ 5500 Series		
1	C6095-60181		1	Pinch Assembly (60" Model)
	C6090-60073			
2	C6095-60179		1	Cam Lever Shaft (60" Model) (Includes Cam Linkage, Linkage Screw, Cam Lever Arm and Cam Lever Arm Screw)
	C6090-60076			
3	C6090-60102		1	Lever
4	0515-2981		1	Screw (Lever Arm to Cam Linkage)
5	0515-2981		1	Screw (Lever to Lever Arm)
6	C6090-60097		1	Lever Support
7	0515-2981		3	Screw

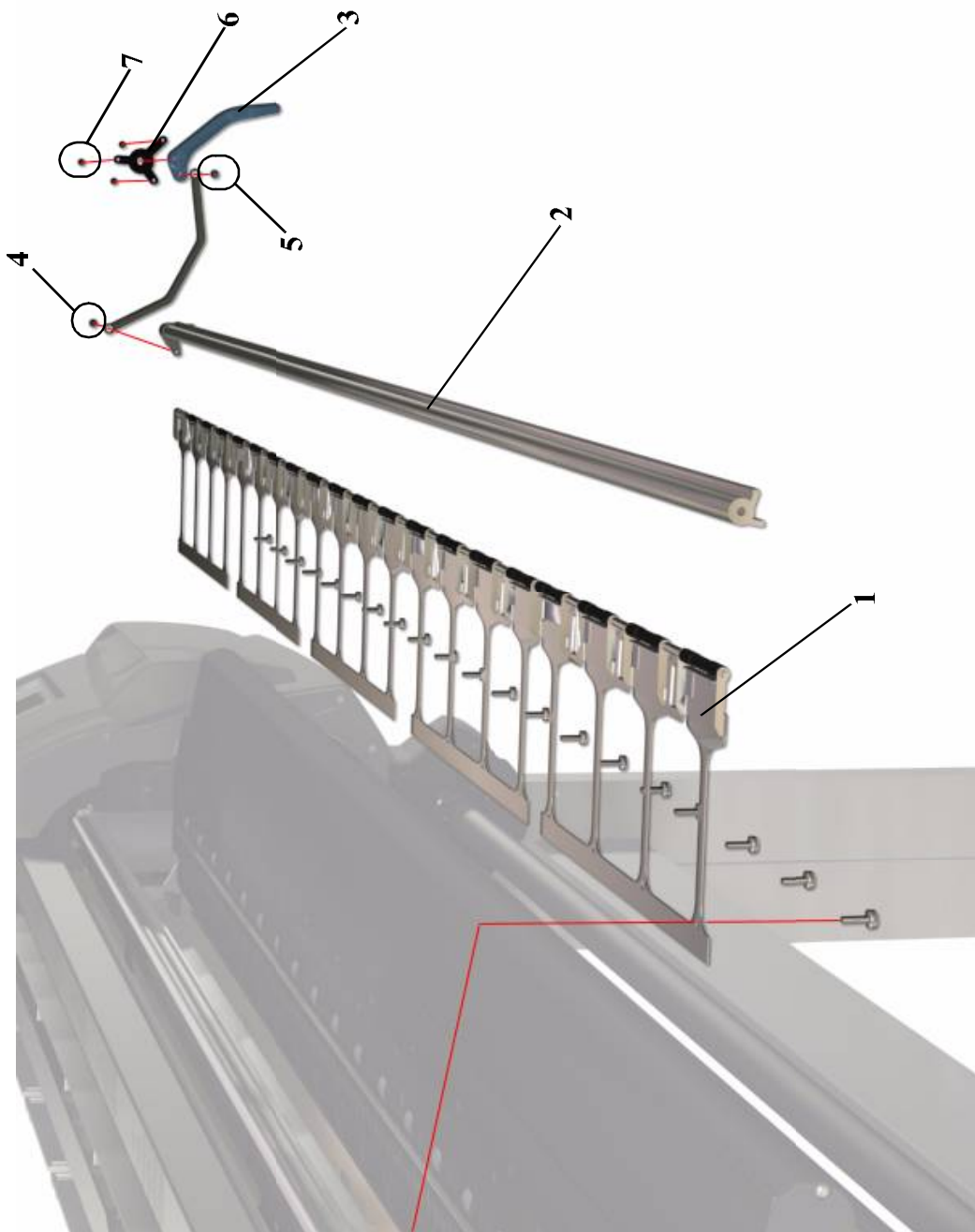


Figure 24: Pinch-Wheels Assembly and Lever

Center Guide, Deflectors and Entry Roller - DesignJet 5000 Series

Center Guide, Deflectors and Entry Roller - DesignJet 5000 Series			
Reference on Drawing	HP Part Number	Quantity	Description/Comments
1	C6095-60180	1	Center Guide (60" Model)
	C6090-60075	1	Center Guide (42" Model)
2	0515-2986	4	Screw
3	C3180-20001	2	Screw
4	C6090-60104	1	Media Deflectors
5	0515-2250	1	Screw
6	C6095-60178	1	Entry Roller (60" Model)
	C6090-60077	1	Entry Roller (42" Model)
7	0515-2986	2	Screw

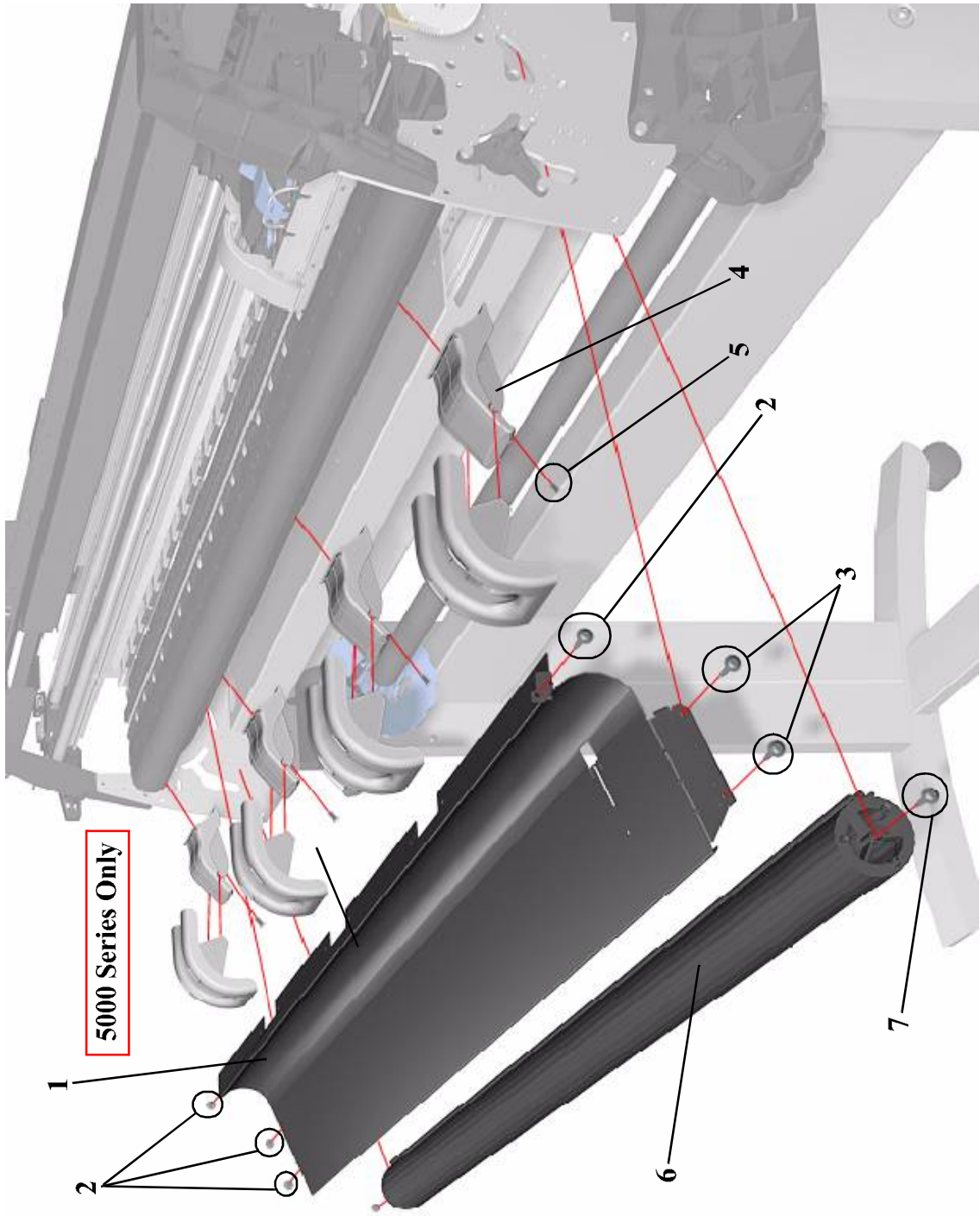


Figure 25: Center Guide, Deflectors and Entry Roller - DesignJet 5000 Series

Center Guide and Entry Roller - DesignJet 5500 Series

Center Guide and Entry Roller - DesignJet 5500 Series			
Reference on Drawing	HP Part Number	Quantity	Description/Comments
1	C6095-60180	1	Center Guide (60" Model)
	C6090-60075	1	Center Guide (42" Model)
2	0515-2986	4	Screw
3	C3180-20001	2	Screw
4	C6095-60178	1	Entry Roller (60" Model)
	C6090-60077	1	Entry Roller (42" Model)
5	0515-2986	2	Screw

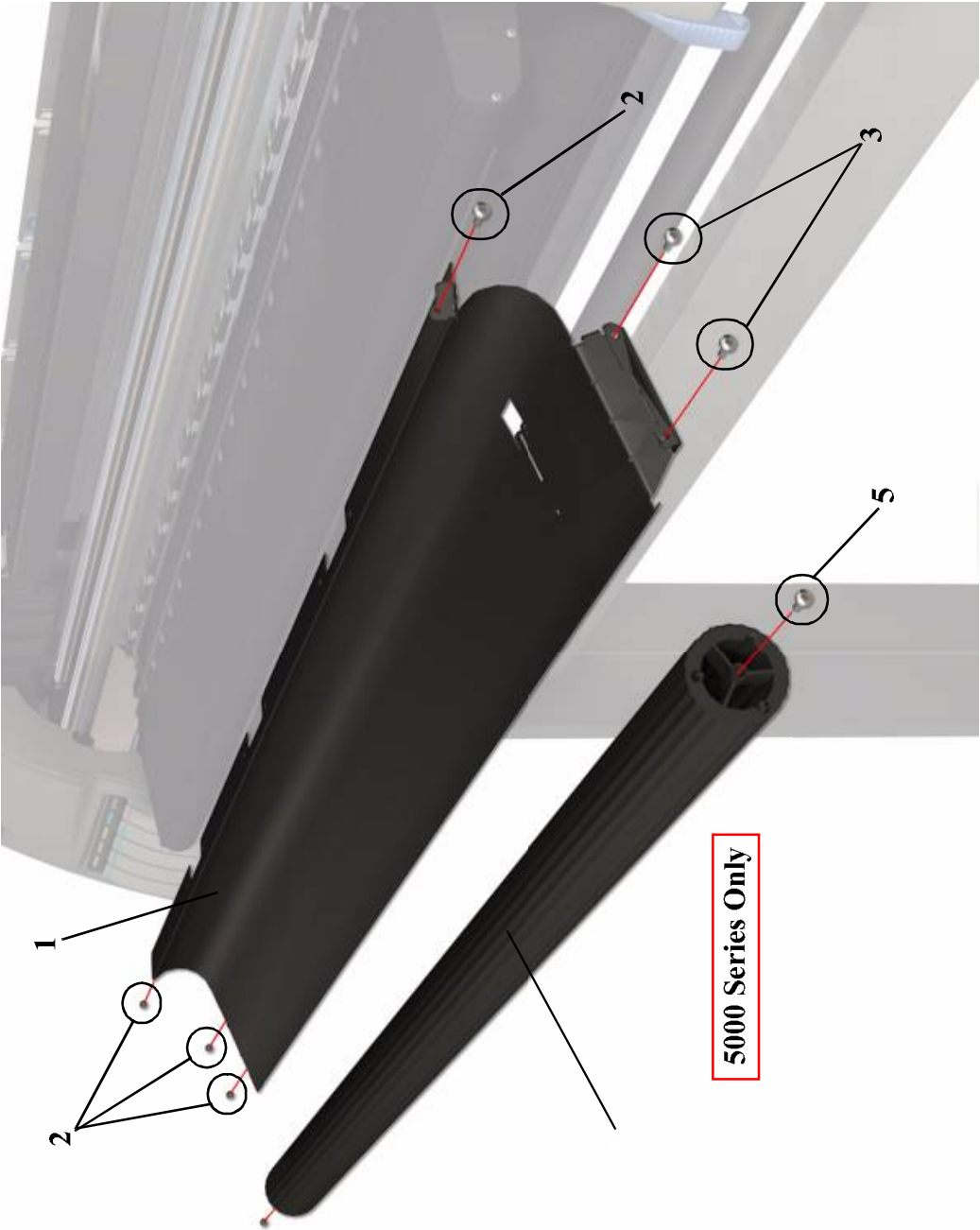


Figure 26: Center Guide and Entry Roller - DesignJet 5500 Series

Tubes Guide Assemblies

Tubes Guide Assemblies				
Reference on Drawing	HP Part Number		Quantity	Description/Comments
	DJ 5000 Series	DJ 5500 Series		
1	C6095-60176		1	Back Tube Guide Assembly (60" Model) (Includes Safety Arm for Top Cover)
	C6095-60078		1	Back Tube Guide Assembly (42" Model) (Includes Safety Arm for Top Cover)
2	C6095-60269		1	Front Tube Guide Assembly (60" Model) (Includes Tube Guide Door and spring)
	C6090-60271		1	Front Tube Guide Assembly (42" Model) (Includes Tube Guide Door and spring)
3	0624-0771		8	Screw
4	C6090-60272		1	Tube Guide Door (includes spring)
5	C6072-60193		1	Right Arc Assembly
6	0624-0771		8	Screw
7	C6072-60192		1	Left Arc Assembly

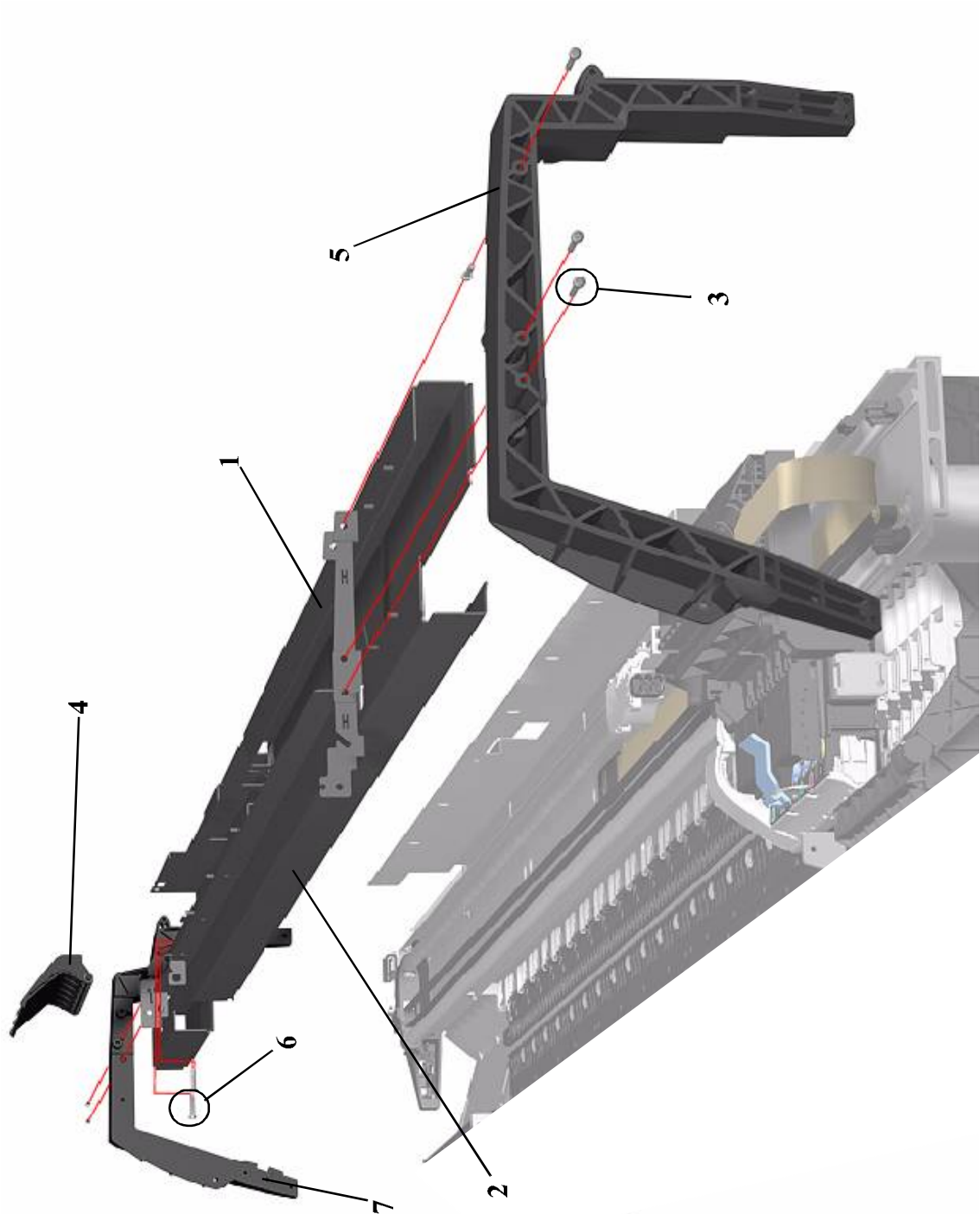


Figure 27: Tubes Guide Assemblies

EMC Covers

EMC Covers				
Reference on Drawing	HP Part Number		Quantity	Description/Comments
	DJ 5000 Series	DJ 5500 Series		
1	C6095-60190		1	EMC Covers (60" Model only)
	C6090-60180		1	EMC Covers (42" Model only)
2	0515-0382		9	Screw (center to bottom and top)
-	C6071-20026		8 (60")/6 (42")	Screw (top to chassis)
3	0515-2248		4	Screw (bottom to chassis)
-	C6090-60107		1	Mount Bracket (includes right, left and center)
-	0515-2248		6	Screw (for each bracket)

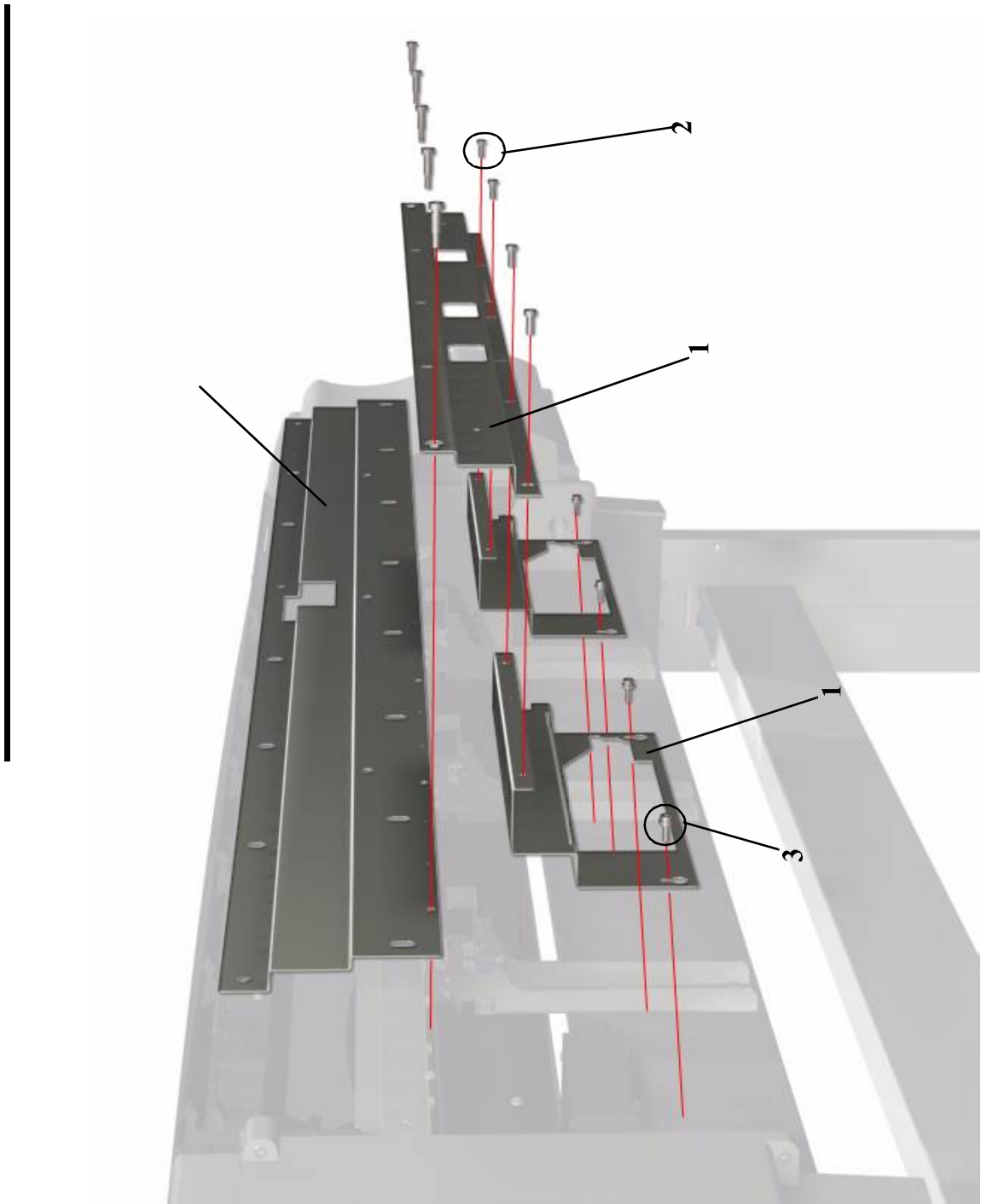


Figure 28: EMC Covers

Spindle and Hub

Spindle and Hub				
Reference on Drawing	HP Part Number		Quantity	Description/Comments
	DJ 5000 Series	DJ 5500 Series		
1	C6095-60182		1	Spindle (60" Model)
	C6090-60074		1	Spindle (42" Model)
2	C6090-60105		1	Blue Hub
3	C6090-60112		2	3" Spindle Adaptors



Figure 29: Spindle and Hub

Rollfeed Brakes

Rollfeed Brakes				
Reference on Drawing	HP Part Number		Quantity	Description/Comments
	DJ 5000 Series	DJ 5500 Series		
1	C6072-60158		1	Left Rollfeed Module
2	C6072-60155		1	Right Rollfeed Module
3	C6072-60156		1	Right Rollfeed Brake
4	0624-0704		1	Screw
5	C6072-60157		1	Left Rollfeed Brake
6	0624-0704		1	Screw

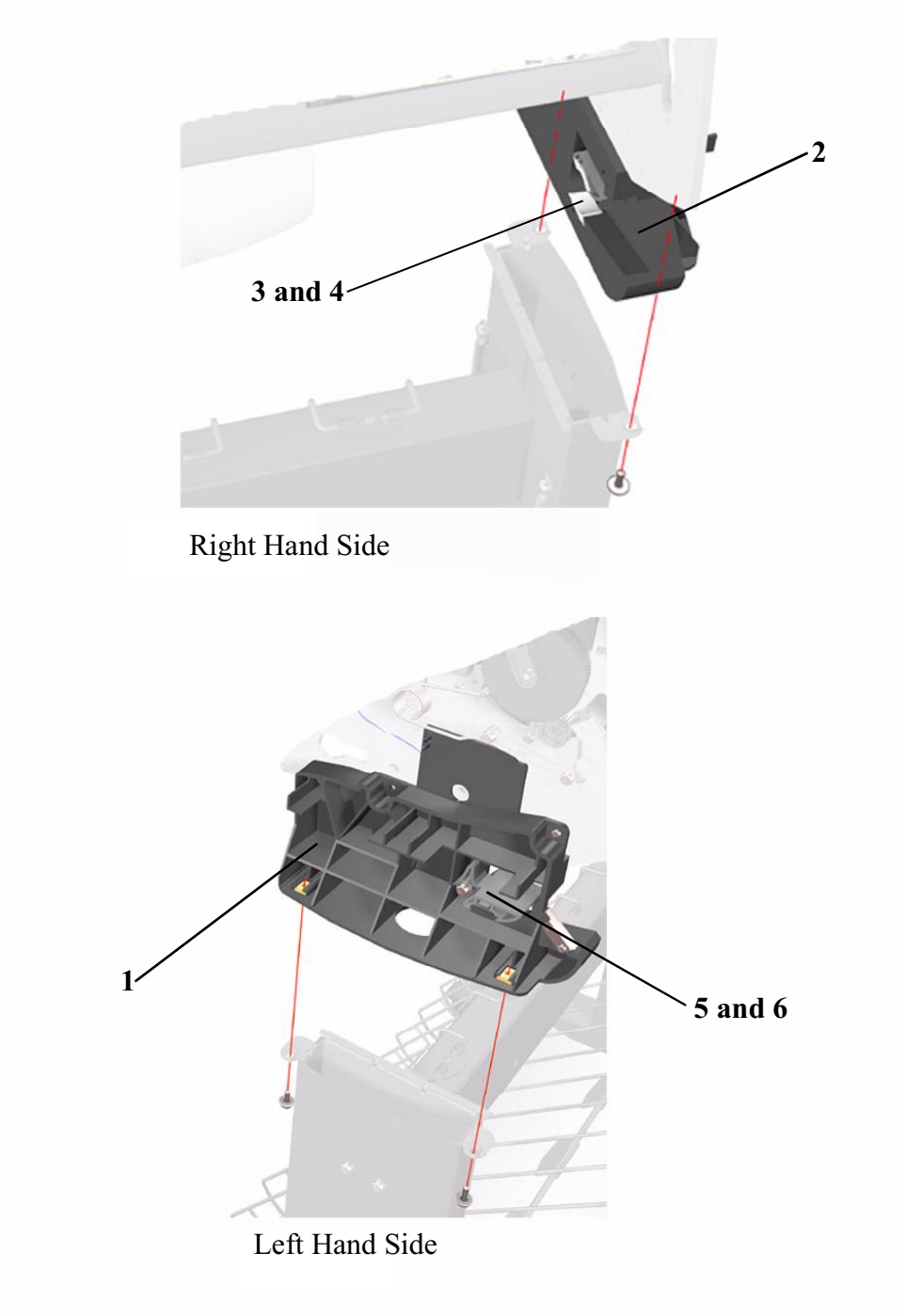


Figure 30: Rollfeed Brakes

Miscellaneous Items

Miscellaneous Items				
Reference on Drawing	HP Part Number		Quantity	Description/Comments
	DJ 5000 Series	DJ 5500 Series		
-	C6090-60081	Q1251-60073	1	Service Preventive Maintenance Kit (for both 42" and 60" Models)
-	C6090-60314		1	User Maintenance Kit
-	C6090-60304	-	1	5000 FW Upgrade CD (A.02.12)
-	-	Q1251-60068	1	5500 FW Upgrade CD (S.03.11)

Media Types

	Dye	UV	24 in. 610mm	36 in. 914mm	42 in. 1067mm	54 in. 1372mm	60 in. 1524mm
HP Durable Image Gloss UV		●		C6794A		C6795A	C6796A
HP Coated Paper 26 lb. (98g/m ²) • 150 ft. (45m)	●		C6019B	C6020B	C6559B [†] C6567B ^{††}	C6560B [†] C6568B ^{††}	
26 lb. (98g/m ²) • 300 ft. (91m)	●			C6980A			
HP Heavyweight Coated Paper (for 5000, 800 & 500 Series printers) 35 lb. (130g/m ²) • 100 ft. (30m)	●	●	C6029C	C6030C	C6569C	C6570C	C977CC
HP Photo Imaging Gloss 7 mil (178g/m ²) • 100 ft. (30m)	●			C6963A	C6964A		C6965A
HP Photo Imaging Satin 7 mil (178g/m ²) • 100 ft. (30m)	●			C6959A	C6960A		C6961A
HP Paper-Based Semi-Gloss 6 mil (160g/m ²) • 100 ft. (30m)	●		C6782A	C6783A		C6785A	
HP Colorlucet Backlit UV 6 mil (200g/m ²) • 100 ft. (30m)		●		C6778A		C6779A	C6780A
HP Studio Canvas 20 mil (368g/m ²) • 35 ft. (10m)	●	●		C6771A		C6773A	
HP Banners with Tyvek[®] 10 mil (140g/m ²) • 50 ft. (15m)		●	C6786A	C6787A		C6789A	
HP Colorfast Adhesive Vinyl 6 mil (328g/m ²) • 40 ft. (12m)	●	●		C6775A		C6777A	
HP Satin Poster Paper 43 lb. Text (162g/m ²) • 100 ft. (30m)	●			C7011A			
3M[®] Changeable Opaque Imaging Media 7 mil (178 microns) • 45 ft. (13m)		●		C6760A		C1882A	
3M[®] Lustre Overlaminat 2 mil (51 microns) • 75 ft. (23m)		●		C6761A		C1884A	
3M[®] Matte Overlaminat 2 mil (51 microns) • 75 ft. (23m)		●		C6762A		C1886A	