

# 8. Exploded Views and Parts List

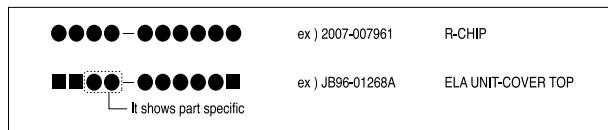
- 8.1. Main Exploded Views ..... page(8-2)
- 8.2. Cover Ass'y ..... page(8-3)
- 8.3. Middle Cover Ass'y ..... page(8-4)
- 8.4. Front Cover Ass'y ..... page(8-5)
- 8.5. Rear Cover Ass'y ..... page(8-6)
- 8.6. Frame Assembly ..... page(8-7)
- 8.7. Fuser Drive Ass'y ..... page(8-8)
- 8.8. Main Drive Ass'y ..... page(8-9)
- 8.9. MP Ass'y ..... page(8-10)
- 8.10. ADF Ass'y..... page(8-11)
- 8.17. Cover Platen Ass'y..... page(8-12)
- 8.16. OPE Unit ..... page(8-13)
- 8.15. Scanner Ass'y ..... page(8-14)
- 8.14. Cassette Ass'y ..... page(8-15)
- 8.15. Fuser Ass'y ..... page(8-16)
- 8.16. Duplex Unit ..... page(8-17)

- Deal drawings and service parts are declared for the items with higher rate of inferiority and replaceable in the level of service description only.
- If inferiority occurs, you can replace the parts by the unit declared in deal drawings and service items.

### Way to observe Part Code & Description

Part code and Description is quoted and controlled by determined standard. Refer to this determined standard, it will help with ordering Part.

- There are two kinds of Part code inscription type.



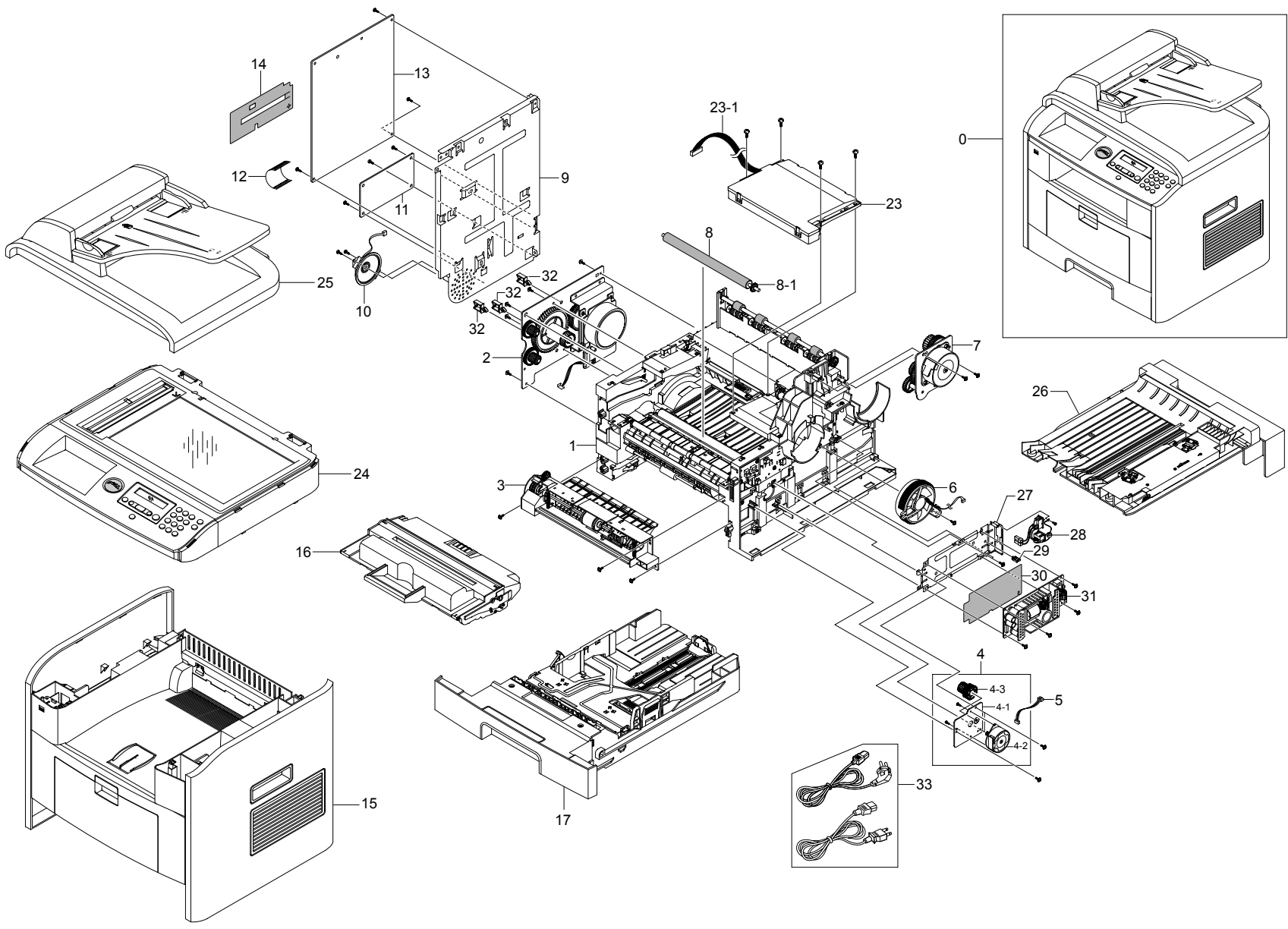
(● : figure, ■ : character (alphabet) )

**Type 1** : Controlled by Company : It can be commonly used for all kinds of product SEC produce. Mostly, electronics Parts.

**Type 2** : Controlled by Division : It is used or one produce. Mostly, Mostly, mechanical Parts.

- **A/S privately used part** : It is only used for A/S .
- **Ass'y part** : Assembled by more than 2 Parts. If necessary part is not A/S Part, Ass'y part including necessary par can be used. It is shown in the diagram and drawing of SVC manual.
- Ass'y part and A/S privately used Part is distinguished by part Code and Description. The are inscription type 2. It is recognized by Part character and front side of description.

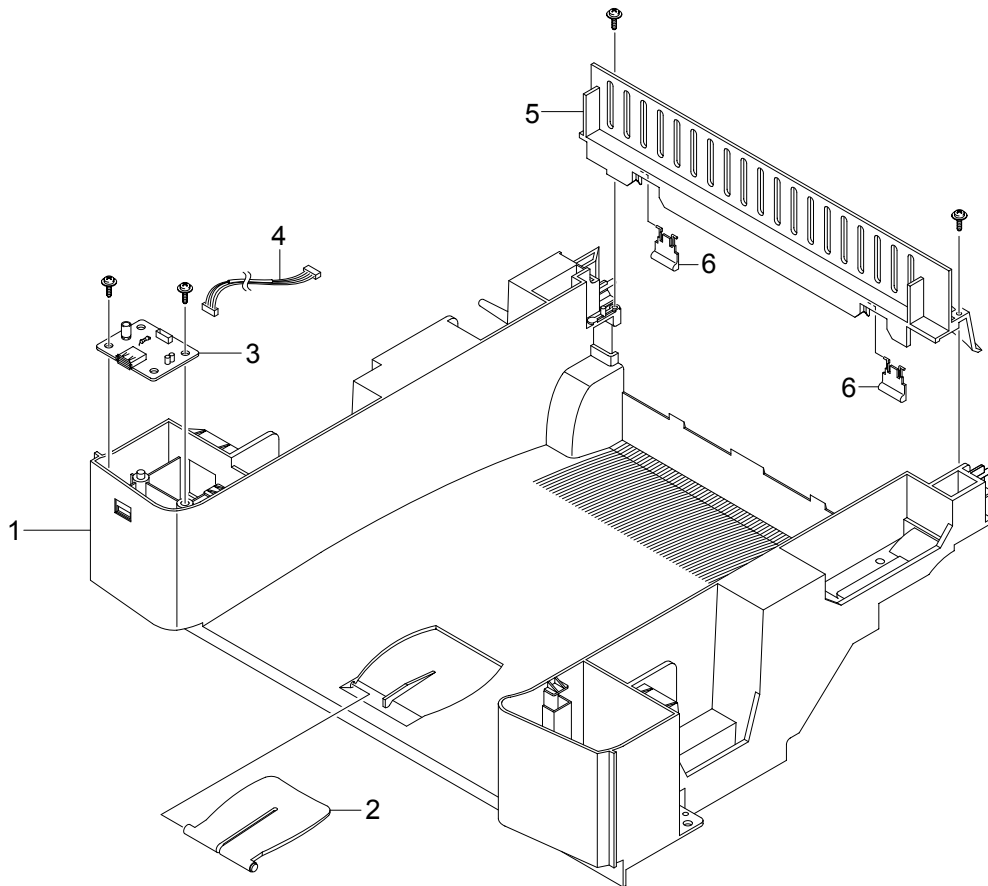
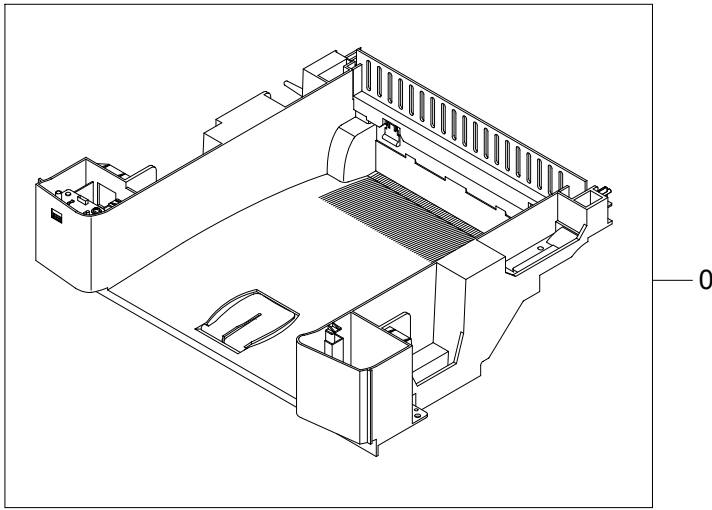
DIVISION	PART CODE	DESCRIPTION
A/S Private	**81-***** (JB81-00039A)	AS-***** (AS-USE)
ASS'Y Part	**75-***** (JB75-00068A)	MEC-***** (MEC-CHUTE)
ASS'Y Part	**92-***** (JB92-01131A)	PBA ***** (PBA MAIN-CONTROLLER)
ASS'Y Part	**97-***** (JB97-01089A)	MEA ***** (MEA UNIT-PULLEY IDLE)



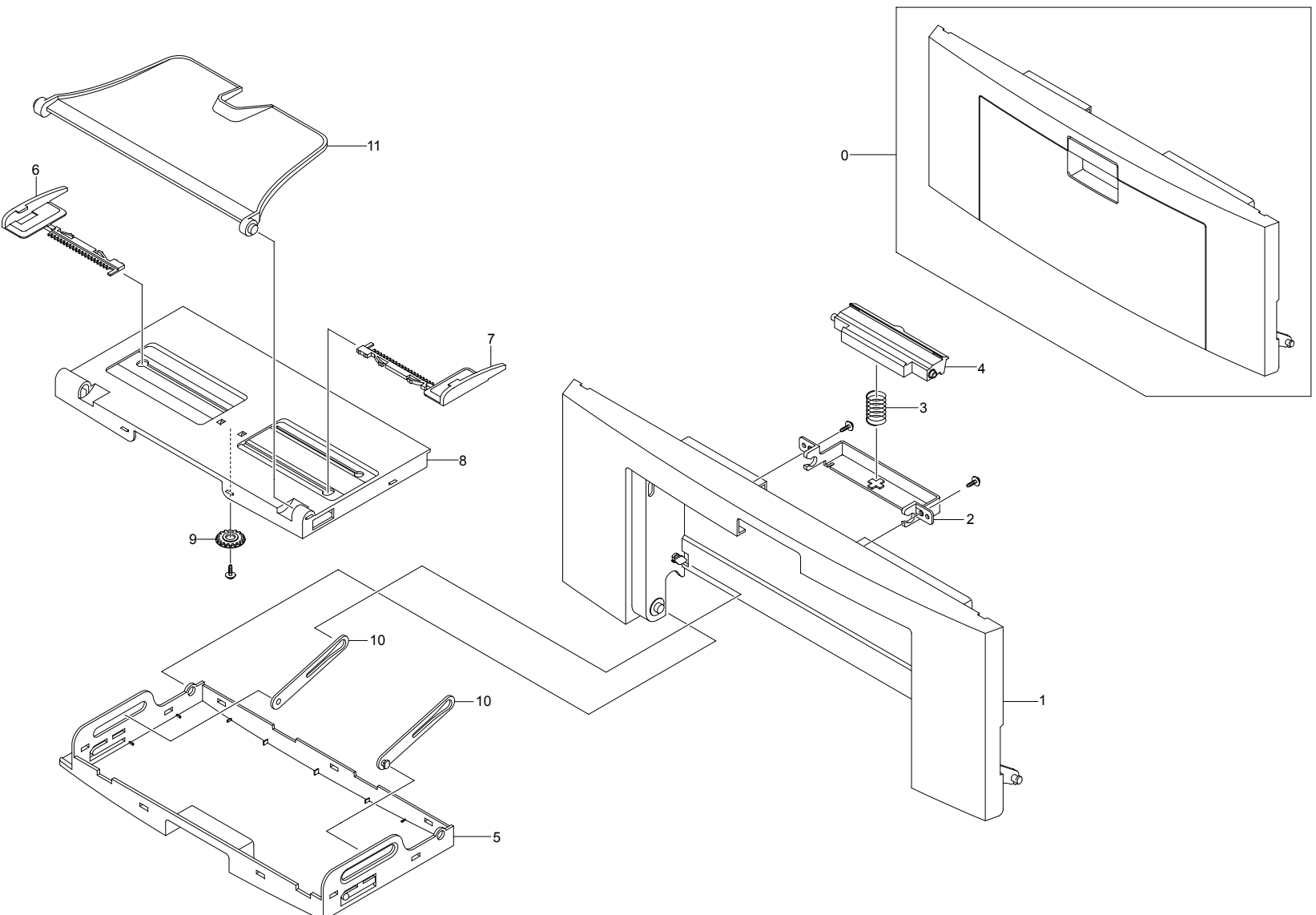
# 8.1 Main Exploded Views



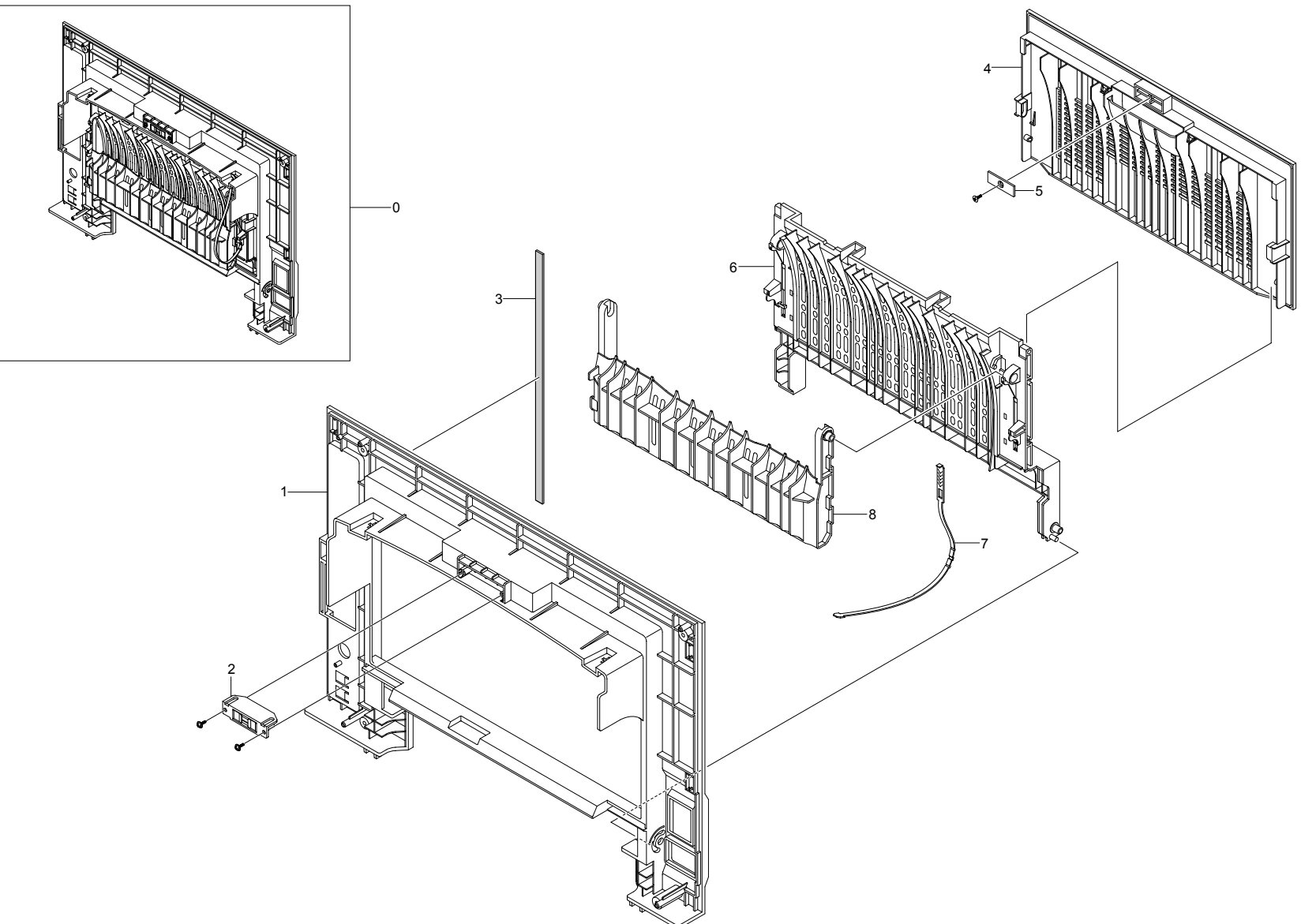
### 8.3 Middle Cover Ass'y



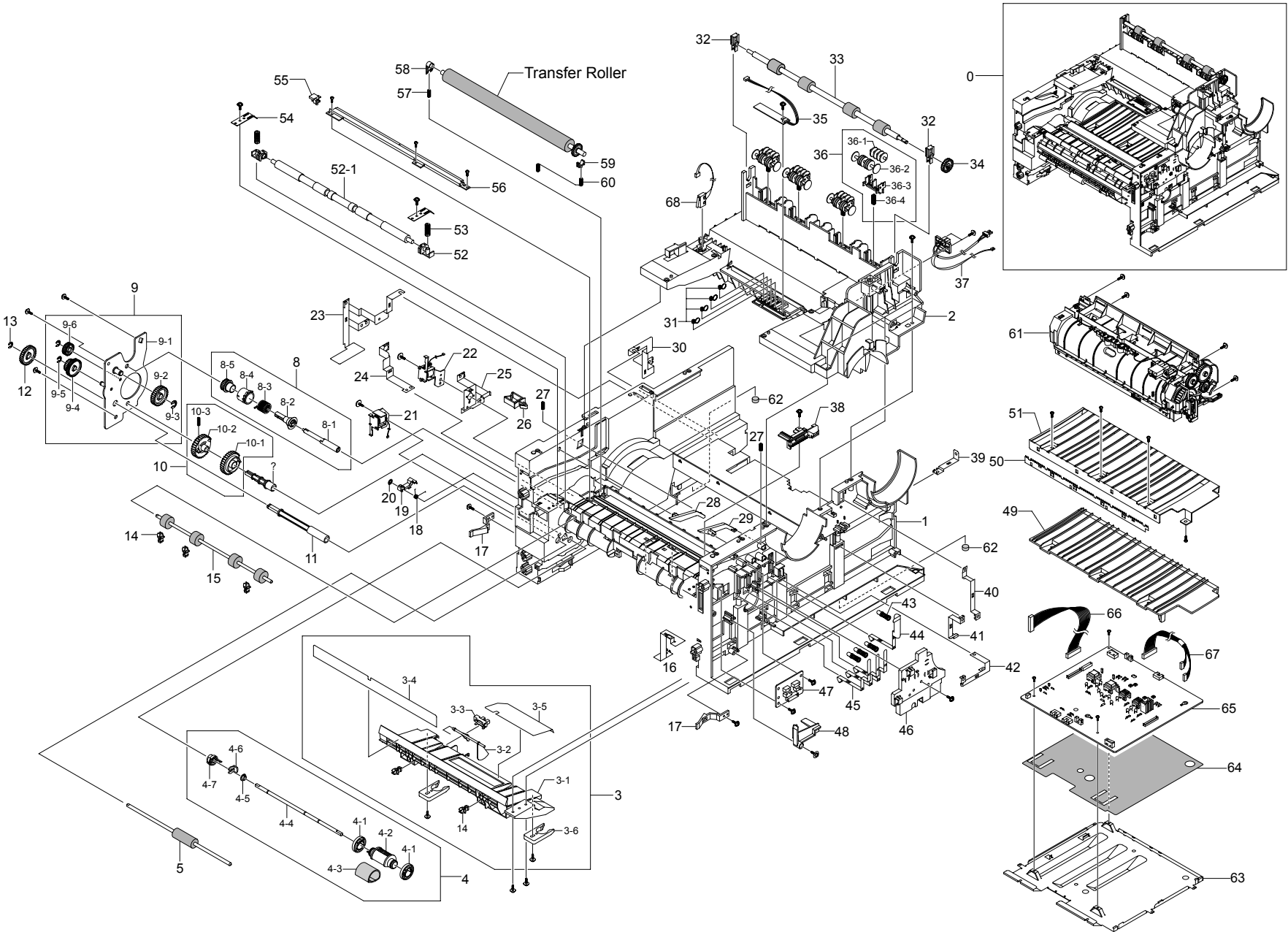
### 8.4 Front Cover Ass'y



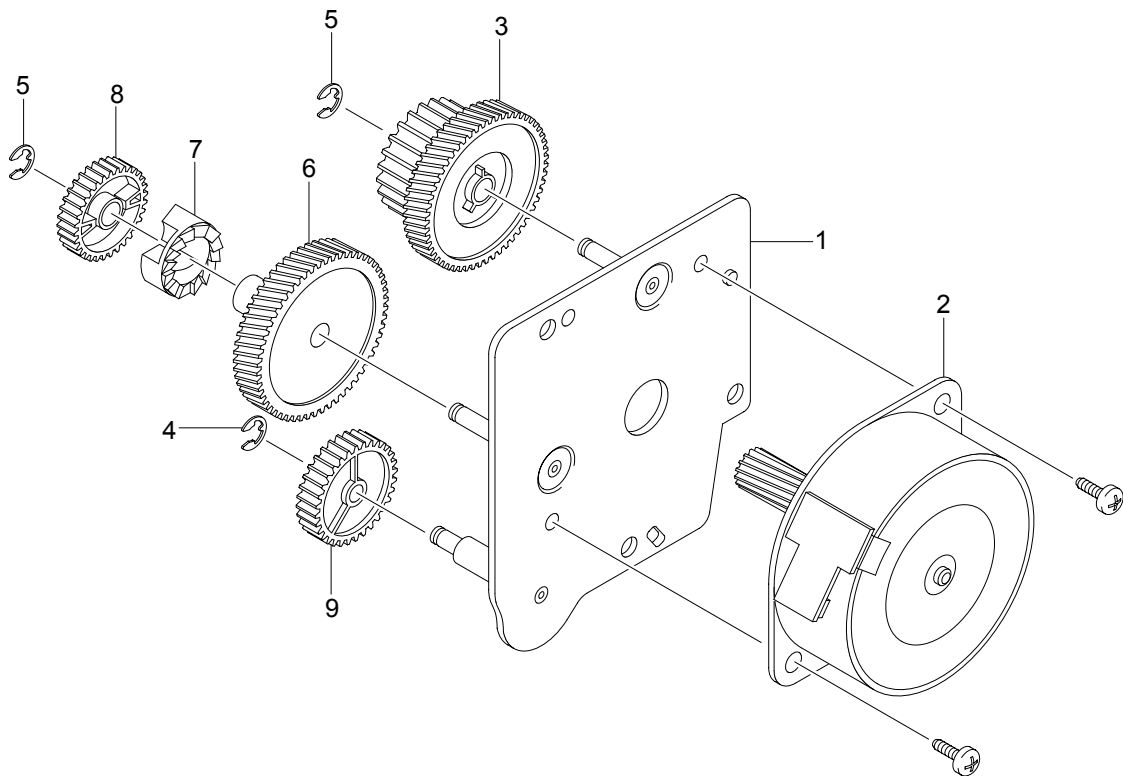
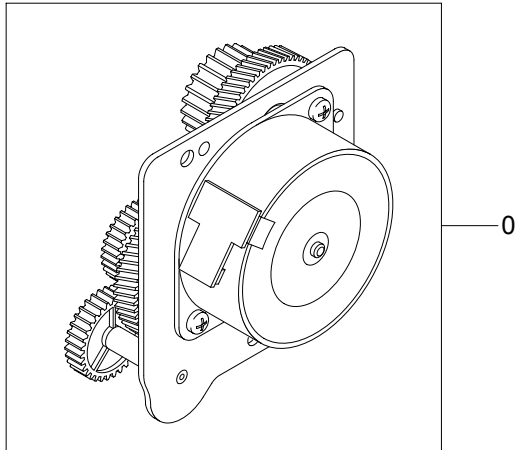
### 8.5 Rear Cover Ass'y



# 8.6 Frame Assembly

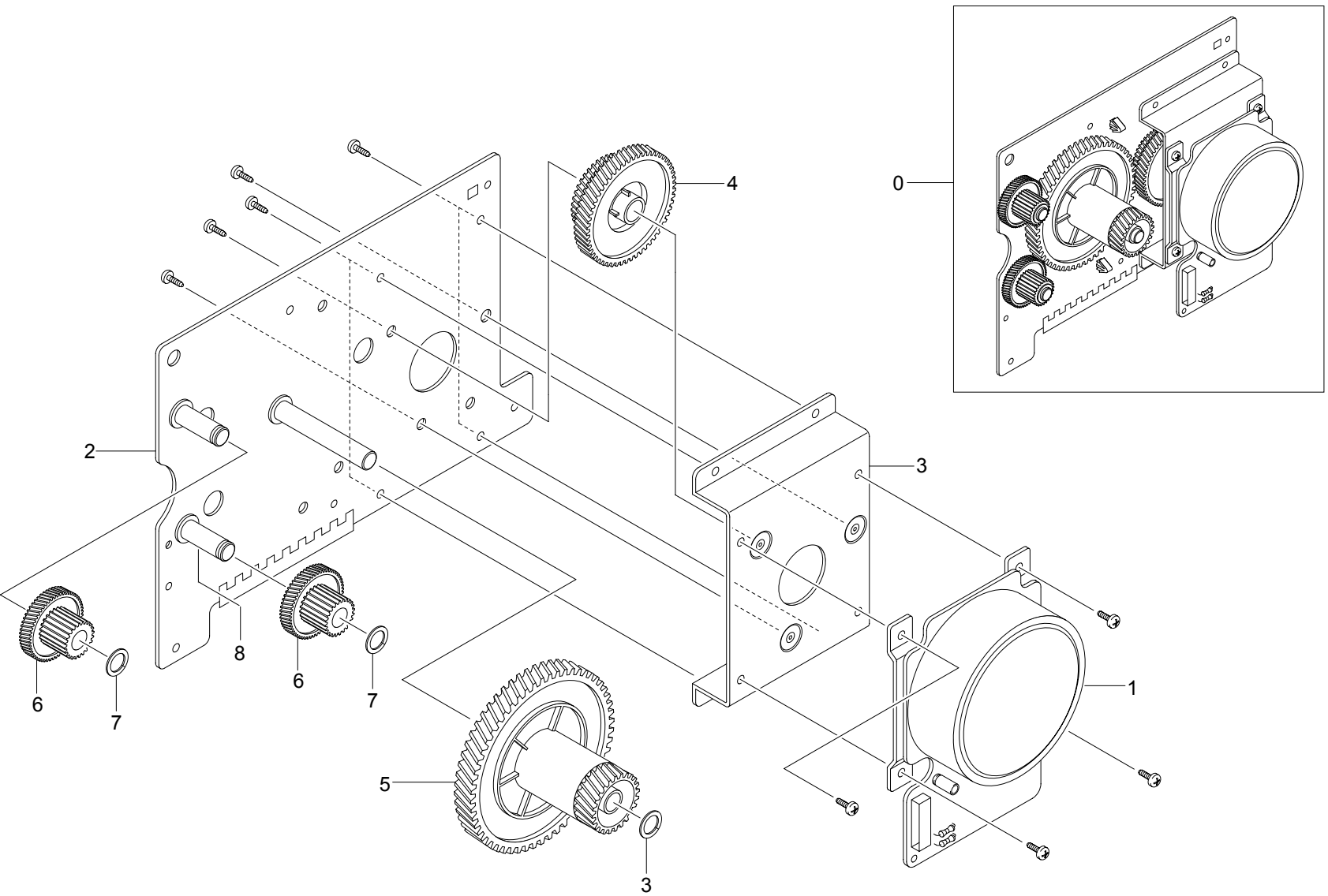


## 8.7 Fuser Drive Ass'y

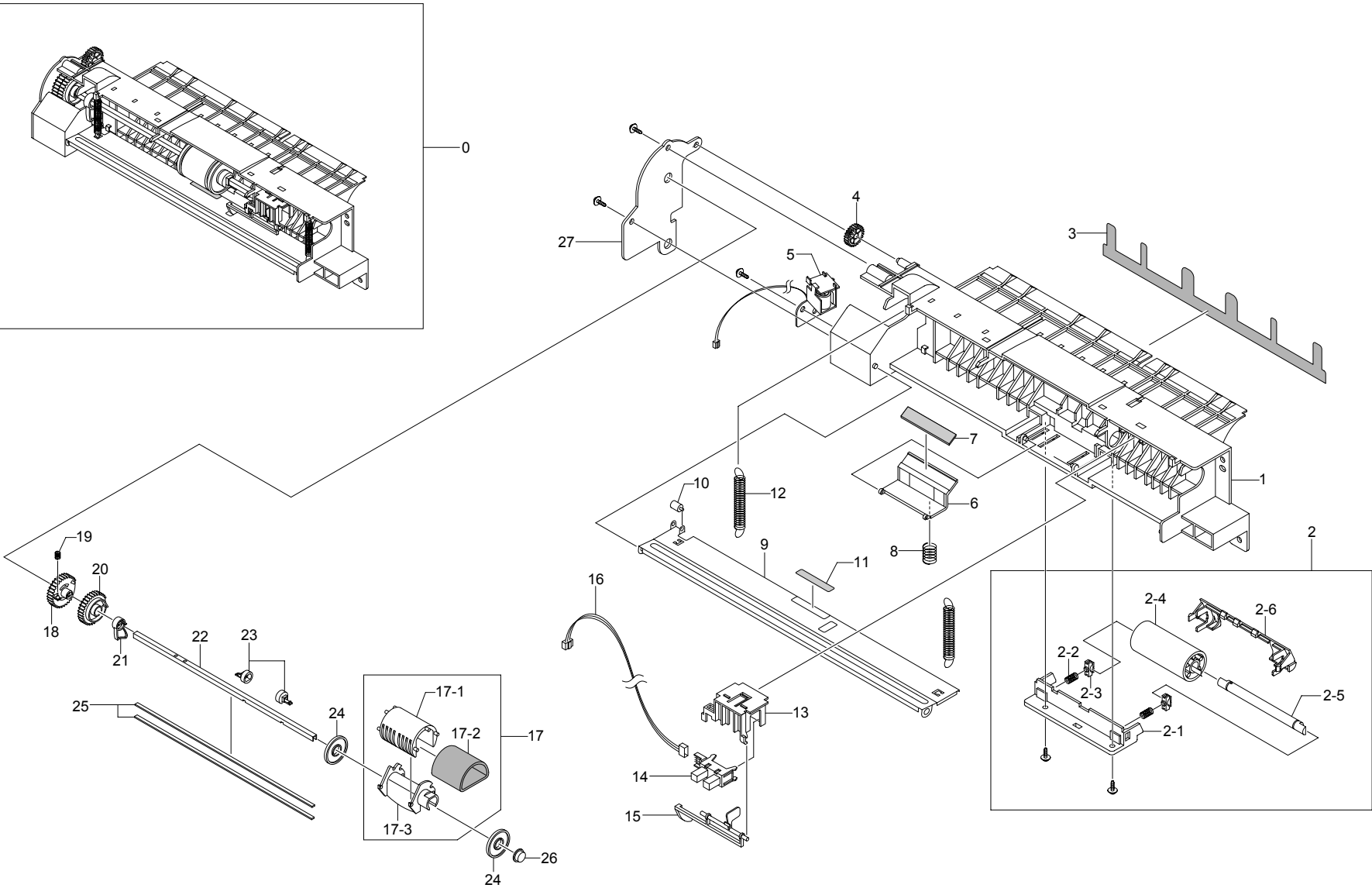




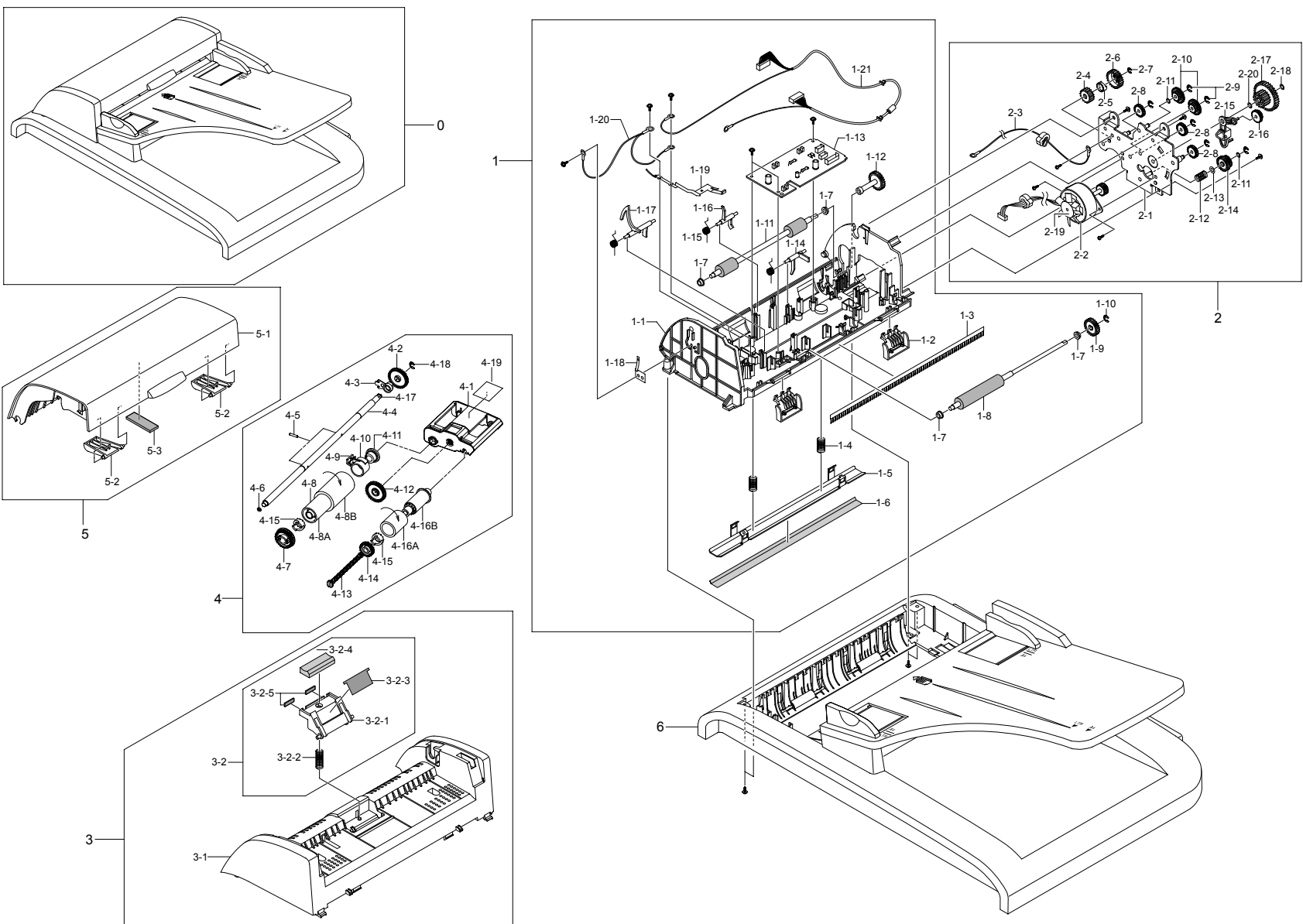
### 8.8 Main Drive Ass'y



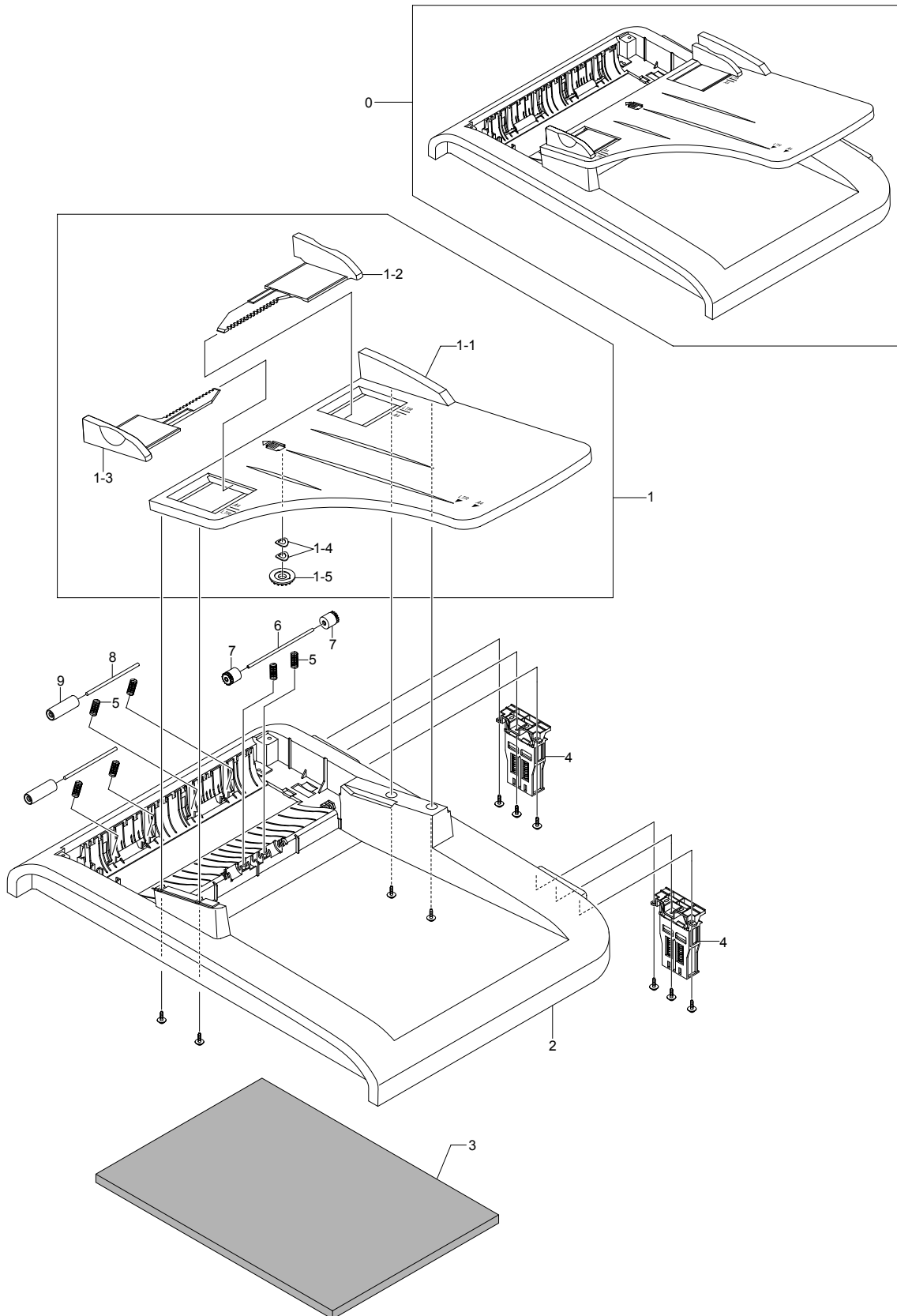
### 8.9 MP Ass'y



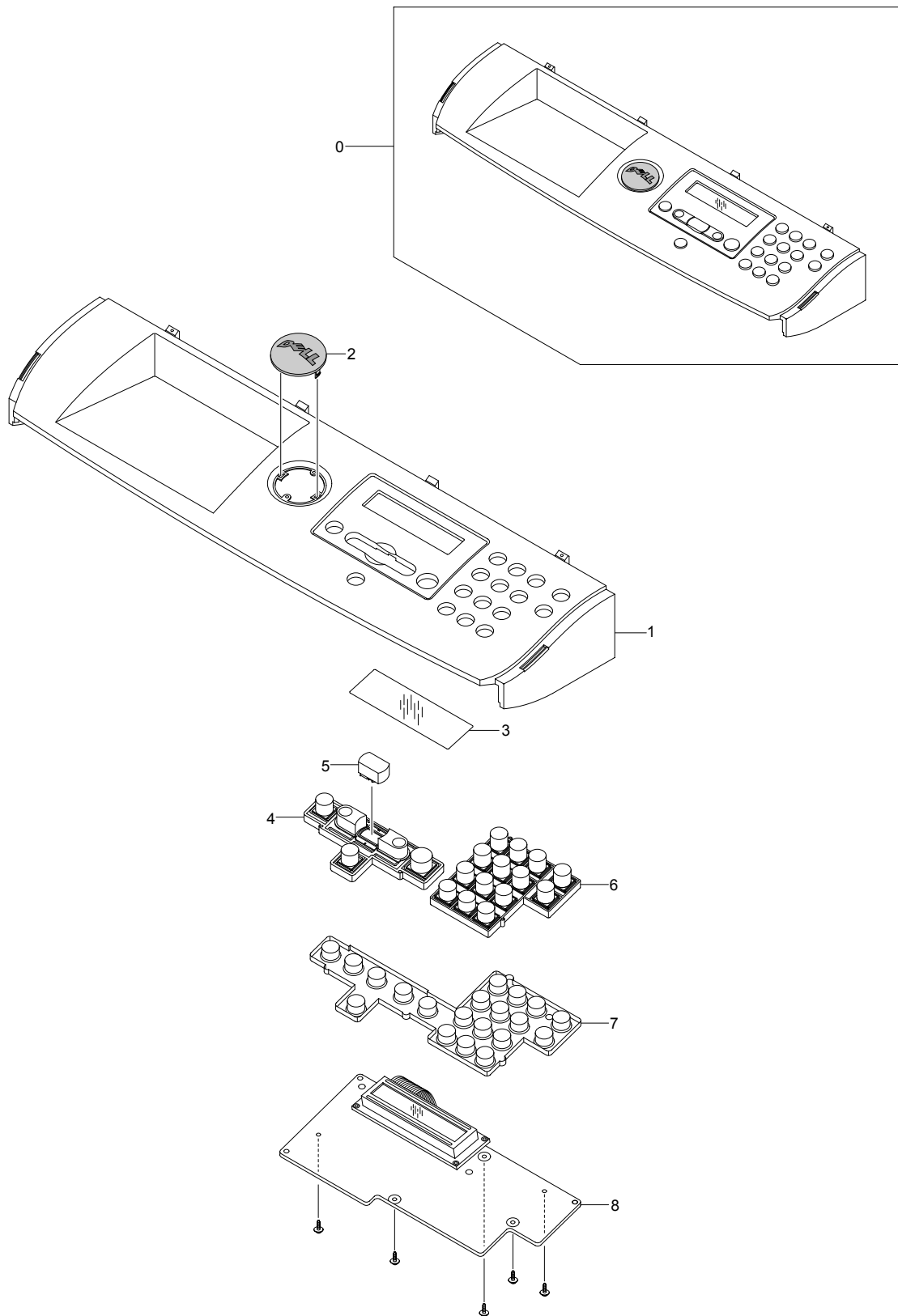
# 8.10 ADF Ass'y



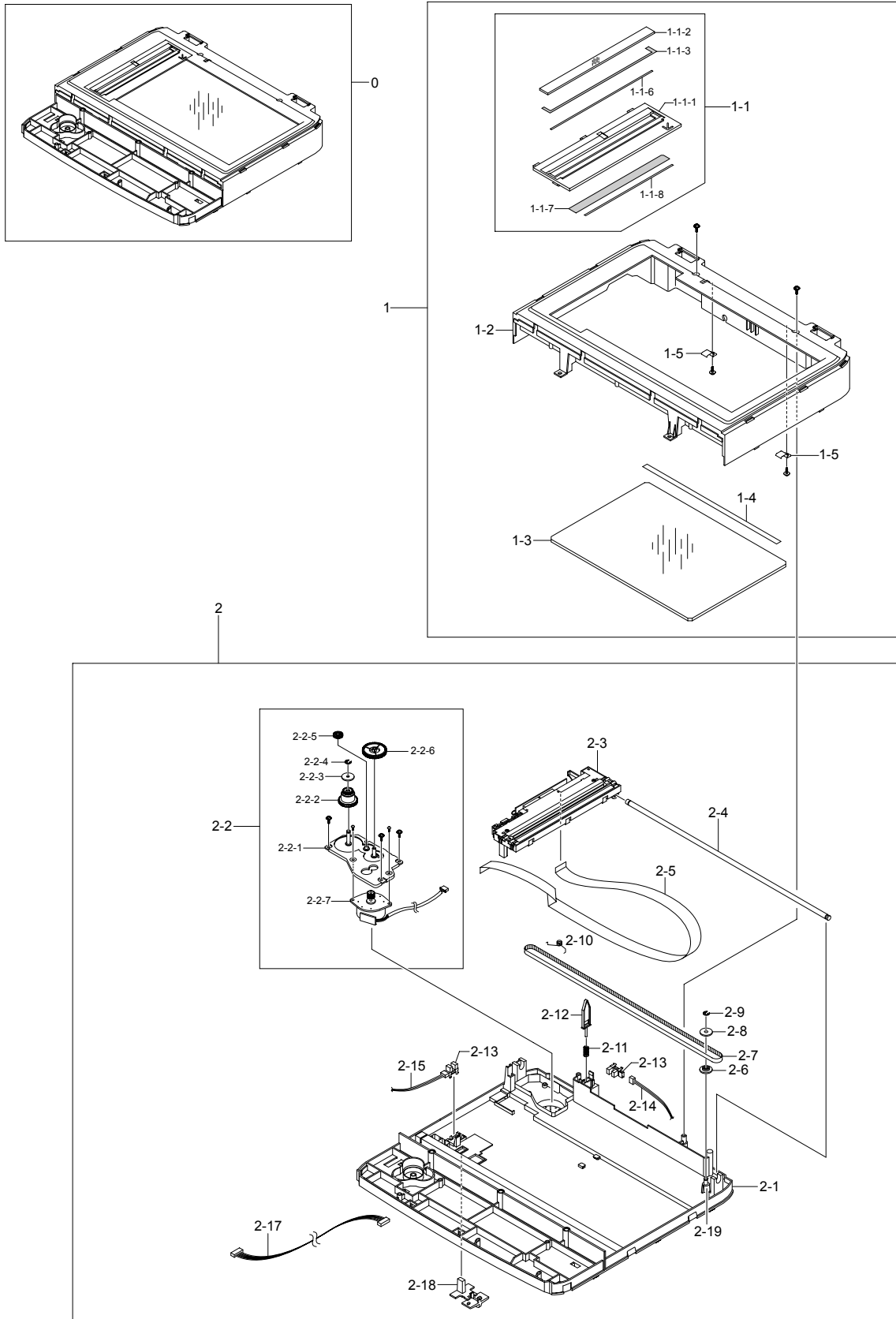
## 8.11 Cover Platen Ass'y



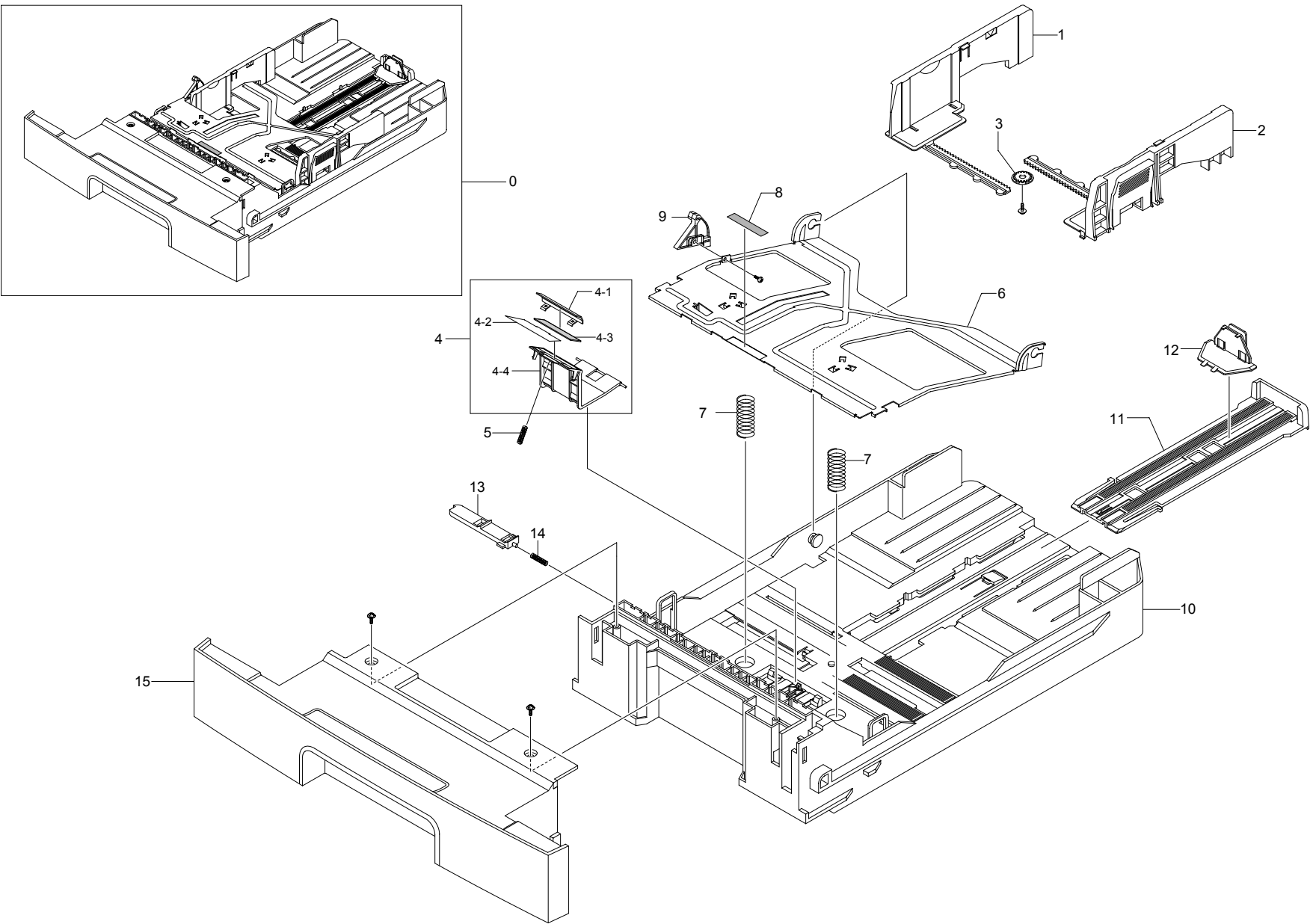
## 8.12 OPE Unit



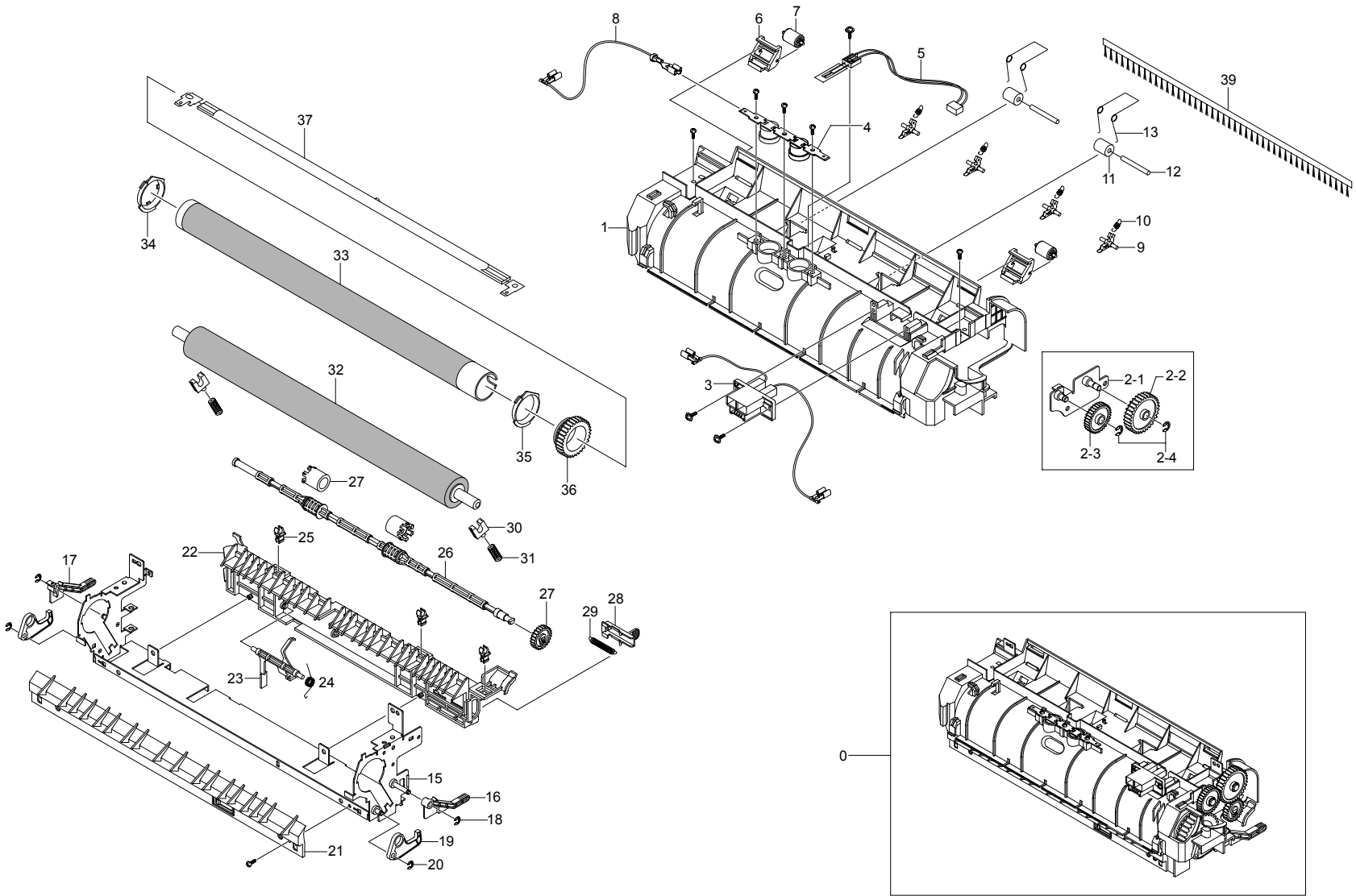
## 8.13 Scanner Ass'y



### 8.14 Cassette Ass'y

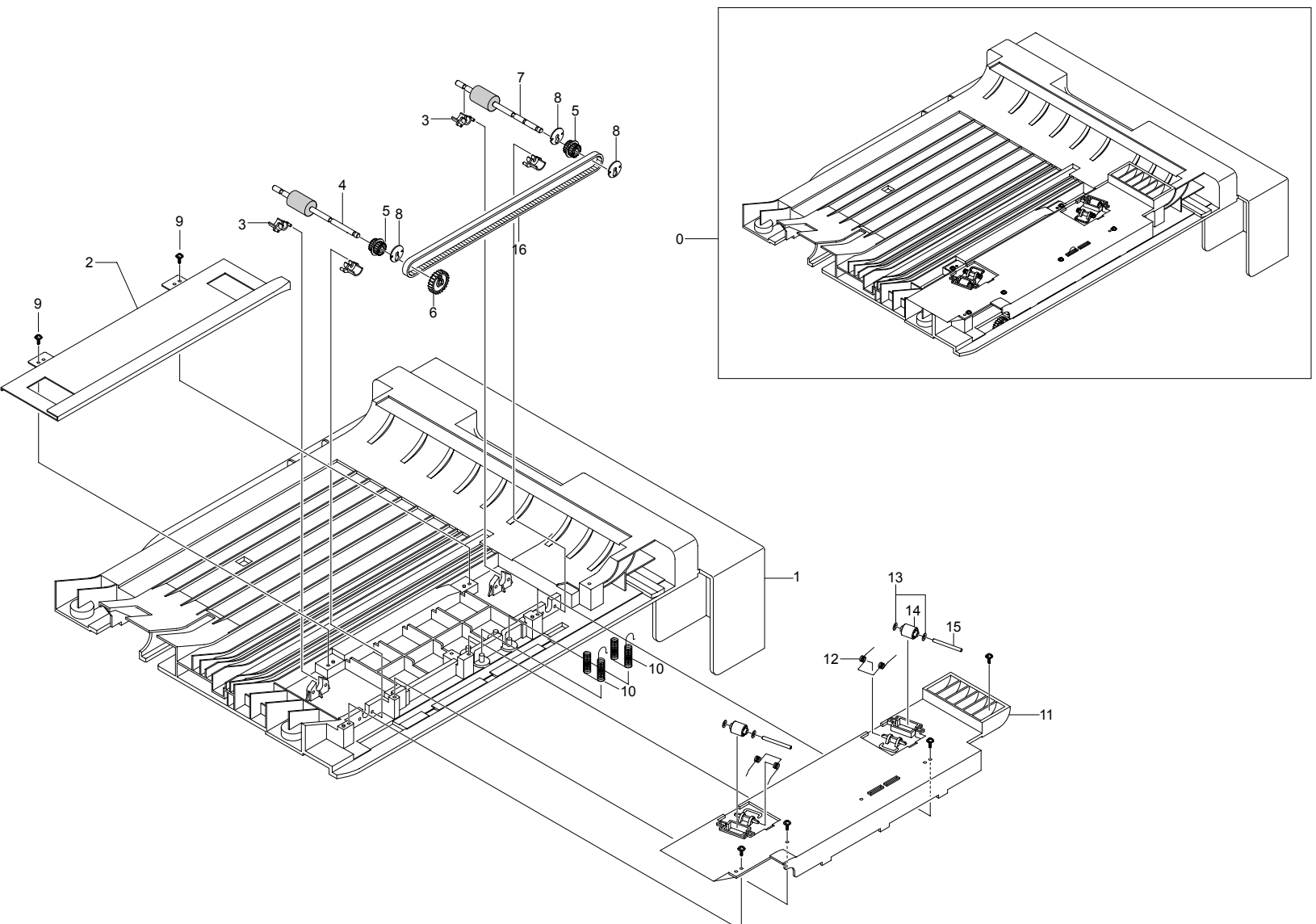


# 8.15 Fuser Assy'y





### 8.16 Duplex Unit(Optional)



## Parts List(Model: Dell 1815dn)

8.1 Main Exploded Views					
Drawer#	SEC Parts Code	Description and Specification	QT'y	FRU Item (O/X)	Remark
8.1-0	Dell 1815dn	Set	1	X	
8.1-1	JC96-03792A	ELA HOU-FRAME 110V	1	X	110V
8.1-1	JC96-03791A	ELA HOU-FRAME 220V	1	X	220V
8.1-2	JC96-03866A	ELA HOU-FUSER DRIVE	1	X	
8.1-3	JC96-03837A	ELA HOU-MPF	1	O	
8.1-4	JC96-03762A	ELA UNIT-DUPLEX DRIVE	1	O	
8.1-4-1	JC61-01599A	BRACKET-P-GEAR DUP	1	X	
8.1-4-2	JC31-00048A	MOTOR STEP-DUPLEX	1	X	
8.1-4-3	JC66-01159A	GEAR-DUP RDCN 45/19	1	X	
8.1-5	JC39-00526A	CBF HARNESS-DUPLEX	1	X	
8.1-6	JC31-00025A	FAN-DC(Main FAN)	1	O	
8.1-7	JC96-03065A	ELA HOU-ADF MOTOR	1	X	
8.1-8	JC97-02652A	MEA-TRANSFER ROLLER (Drawer# 8.1-8 + 8.1-8-1)	1	O	
8.1-8-1	JC66-00395A	GEAR-TRANSFER	1	X	
8.1-9	JC63-00912B	SHIELD-P-CONTROLLER	1	X	
8.1-10	3001-001293	SPEAKER	1	X	
8.1-11	JC92-01746B	PBA SUB-MODEM	1	O	
8.1-12	JC39-00518A	CBF HARNESS-ENGINE	1	X	
8.1-13	JC92-01744A	PBA MAIN-CONTROLLER	1	O	
8.1-14	JC96-03970A	ELA HOU-MAIN RAM DIMM	1	O	
8.1-15	JC97-02392A	MEA-COVER	1	X	
8.1-16	SCX-D5525A/DEL	TONER CARTRIDGE(3K)	1	O	
8.1-16	SCX-D5525B/DEL	TONER CARTRIDGE(5K)	1	O	
8.1-17	JC97-02414A	MEA UNIT-CASSETTE	1	O	
8.1-23	JC59-00027A	UNIT-LSU	1	O	
8.1-23-1	JC39-00524A	CBF HARNESS-LSU S/W	1	X	
8.1-24	JC96-03778A	ELA HOU-SCAN	1	X	
8.1-25	JC96-03810A	ELA HOU-ADF	1	O	
8.1-26	JC97-02393B	MEA UNIT-DUPLEX	1	X	
8.1-27	JC63-00913A	SHIELD-P-SMPS	1	X	
8.1-28	JC39-00523A	CBF HARNESS-AC INLET	1	X	
8.1-29	JC61-01653B	STOPPER-M STRAP	1	X	
8.1-30	JC63-00960A	SHEET-INSULATOR_SMPS	1	X	
8.1-31	JC44-00097A	SMPS-PSP_TYPE3_V1	1	O	
8.1-31	JC44-00090A	SMPS-PSP_TYPE3_V2C	1	O	
8.1-32	JC72-00382B	PMO-BUSHING FEED	2	X	
8.1-33	3903-000085	CBF-POWER CORD	1	X	
8.2 Cover Ass'y					
Drawer#	SEC Parts Code	Description and Specification	QT'y	FRU Item (O/X)	Remark
8.2-0	JC97-02392A	MEA-COVER	1	X	
8.2-1	JC97-02423A	MEA-COVER FRONT	1	O	
8.2-2	JC97-02424A	MEA-COVER MID FRONT	1	X	
8.2-2-1	JC63-00954A	COVER-M MID FRONT	1	X	
8.2-2-2	JC67-00068B	CAP-M SUB ACTUATOR	1	X	
8.2-2-3	JC72-01339A	PMO-M-SUB ACTUATOR	1	X	
8.2-3	JC63-00949A	COVER-M MIDDLE	1	X	
8.2-4	JC63-00947A	COVER-M SIDE R	1	O	
8.2-5	JC97-02421A	MEA-COVER SIDE L	1	O	
8.2-5-1	JC63-00948A	COVER-M SIDE L	1	X	
8.2-5-2	JC63-00950A	COVER-M DIMM	1	O	
8.2-6	JC97-02422A	MEA-COVER REAR	1	O	
8.3 Middle Cover Ass'y					
Drawer#	SEC Parts Code	Description and Specification	QT'y	FRU Item (O/X)	Remark
8.3-0	JC96-03794A	COVER-M MIDDLE	1	O	
8.3-1	JC63-00954A	COVER-M MID FRONT	1	X	
8.3-2	JC63-00513A	COVER-M-RX STACKER	1	X	
8.3-3	JC92-01636A	PBA SUB-USB HOST	1	O	
8.3-4	JC39-00397A	CBF HARNESS-USB HOST	1	X	
8.3-5	JC63-00938B	COVER-M REAR UPPER	1	X	
8.3-6	JC72-01001A	PMO-SUB STACKER	2	X	
8.4 Front Cover Ass'y					
Drawer#	SEC Parts Code	Description and Specification	QT'y	FRU Item (O/X)	Remark

Drawer#	SEC Parts Code	Description and Specification	QT'y	FRU Item (O/X)	Remark
<b>8.4-0</b>	<b>JC97-02423A</b>	<b>MEA-COVER FRONT</b>	<b>1</b>	<b>O</b>	
8.4-1	JC63-00953A	COVER-M_FRONT	1	X	
8.4-2	JC61-00953C	HOLDER-M_LOCKER	1	X	
8.4-3	JG61-70549A	SPRING ETC-CIS(C2)	1	X	
8.4-4	JC64-00232A	KNOB-M_LOCKER	1	X	
8.4-5	JC63-00946A	TRAY-M_ASF_INPUT	1	X	
8.4-6	JC70-00478C	ADJUST-M_MP L	1	X	
8.4-7	JC70-00479C	ADJUST-M_MP R	1	X	
8.4-8	JC63-00446D	TRAY-ASF_INPUT_UPPER	1	X	
8.4-9	JG66-40003A	GEAR-PINION	1	X	
8.4-10	JC63-00444A	TRAY-M-LINK_MP	2	X	
8.4-11	JC63-00447D	TRAY-ASF_FOLDER	1	X	
<b>8.5 Rear Cover Ass'y</b>					
Drawer#	SEC Parts Code	Description and Specification	QT'y	FRU Item (O/X)	Remark
<b>8.5-0</b>	<b>JC97-02422A</b>	<b>MEA-COVER REAR</b>	<b>1</b>	<b>O</b>	
8.5-1	JC63-00951A	COVER-M_REAR	1	X	
8.5-2	JC61-00961A	MAGNET-CATCH DELL	1	X	
8.5-3	JC63-01028A	SHEET-PORT	1	X	
8.5-4	JC63-00936B	COVER-M_FACE UP	1	X	
8.5-5	JC61-00962A	PLATE-MAGNET CATCH	1	X	
8.5-6	JC63-00937B	COVER-M-STACKER REAR	1	X	
8.5-7	JC61-01653A	STOPPER-M-STRAP	1	X	
8.5-8	JC61-01583A	GUIDE-OUTPUT FUSER	1	X	
<b>8.6 Frame Assembly</b>					
Drawer#	SEC Parts Code	Description and Specification	QT'y	FRU Item (O/X)	Remark
<b>8.6-0</b>	<b>JC96-03792A</b>	<b>ELA HOU-FRAME 110V</b>	<b>1</b>	<b>X</b>	<b>110V</b>
<b>8.6-0</b>	<b>JC96-03791A</b>	<b>ELA HOU-FRAME 220V</b>	<b>1</b>	<b>X</b>	<b>220V</b>
8.6-1	JC61-01620A	FRAME-M_BASE	1	X	
8.6-2	JC61-01621A	FRAME-M_EXIT	1	X	
8.6-3	JC96-03829A	ELA HOU-GUIDE DUP F	1	X	
8.6-3-1	JC61-01600A	GUIDE-M_FRONT DUPLEX	1	X	
8.6-3-2	JC66-01187A	LEVER-ACTUATOR EMPTY	1	X	
8.6-3-3	0604-001095	PHOTO-INTERRUPTER	1	X	
8.6-3-4	JC63-01095A	SHEET-GUIDE DUP_OUT	1	X	
8.6-3-5	JC63-00992A	SHEET-GUIDE FRONT DU	1	X	
8.6-3-6	JC66-01170A	CAM-SHAFT PICK UP	1	X	
8.6-4	JC97-02441A	MEA-ROLLER PICK UP	1	O	
8.6-4-1	JC66-01169A	ROLLER-IDLE PICK UP	2	X	
8.6-4-2	JC61-01601A	HOUSING-M_PICK UP	1	X	
8.6-4-3	JC66-01168A	ROLLER-PICK UP	1	X	
8.6-4-4	JC66-01171A	SHAFT-PICK UP	1	X	
8.6-4-5	JC72-41364A	PMO-BUSHING P/U,MP	1	X	
8.6-4-6	JC66-00050A	CAM-CATCH	1	X	
8.6-5	JC66-01173A	ROLLER-FEED	1	X	
8.6-8	JC97-01788A	MEA UNIT-CLUTCH	1	X	
8.6-8-1	JC66-00398A	SHAFT-FEED	1	X	
8.6-8-2	JC72-00981A	PMO-HUB CLUTCH	1	X	
8.6-8-3	6107-001171	SPRING-TS	1	X	
8.6-8-4	JC72-00978A	PMO-COLLAR_SPRING	1	X	
8.6-8-5	JC66-00393A	GEAR-FEED 1	1	X	
8.6-9	JC97-02394A	MEA UNIT-BRACKET FEED	1	X	
8.6-9-1	JC61-01582A	BRACKET-P-FEED	1	X	
8.6-9-2	JC66-01166A	GEAR-IDLE Z29 HELICAL	1	X	
8.6-9-3	6044-000231	RING-E	1	X	
8.6-9-4	JC66-01164A	GEAR-RETARD 39/19	1	X	
8.6-9-5	JC66-00484A	GEAR-T2 IDEL_Z27	1	X	
8.6-9-6	6044-000125	RING-E	2	X	
8.6-10	JC97-02648A	MEA UNIT-GEAR PICK UP	1	X	
8.6-10-1	JC66-01183A	GEAR-PICK UP INNER	1	X	
8.6-10-2	JC66-01184A	GEAR-PICK UP_OUTER	1	X	
8.6-10-3	6107-001167	SPRING-CS	1	X	
8.6-11	JC66-01160A	SHAFT-M_FEED2	1	X	
8.6-12	JC66-01165A	GEAR-FEED2 Z27	1	X	
8.6-13	6044-000125	RING-E	1	X	
8.6-14	JC72-00382B	PMO-BUSHING FEED	3	X	
8.6-15	JC66-00526A	ROLLER-FEED ROLLER 1	1	X	
8.6-17	JC72-00983A	PMO-LOCKER CST	2	X	
8.6-18	6107-001170	SPRING-TS	1	X	
8.6-19	JC66-00377A	CAM-M-PICK_UP	1	X	
8.6-20	6044-000001	RING-CS	1	X	

Drawer#	SEC Parts Code	Description and Specification	QT'y	FRU Item (O/X)	Remark
8.6-21	JC33-00010A	SOLENOID-HB (MANUAL)	1	X	
8.6-22	JC33-00014A	SOLENOID-FEED ROCKY2	1	X	
8.6-23	JC63-00917A	GROUND-P-DRIVE	1	X	
8.6-24	JC63-00923A	GROUND-P-PUSH BUSHING	1	X	
8.6-25	JC63-00922A	GROUND-P-DRIVE2	1	X	
8.6-26	6502-001093	CABLE CLAMP	1	X	
8.6-27	JC61-70932A	SPRING ETC-GUIDE DEVE	2	X	
8.6-28	JC72-00984A	PMO-PLATE GUIDE DEVE_L	1	X	
8.6-29	JC72-00985A	PMO-PLATE GUIDE DEVE_R	1	X	
8.6-30	JC63-00926A	GROUND-P-SHIELD	1	X	
8.6-31	JC65-00019A	TERMINAL-P_CRUM	4	X	
8.6-32	JC61-00829A	HOLDER-BEARING EXIT F/DOWN	2	X	
8.6-33	JC97-01034A	MEA RACK-EXIT ROLLER	1	X	
8.6-34	JC66-01196A	ROLLER-EXIT F/DOWN	1	X	
8.6-35	JC92-01829A	PBA SUB-TERMINAL	1	X	
8.6-36	JC97-01034A	MEA RACK-EXIT ROLLER	4	X	
8.6-36-1	JC72-41008A	PMO-ROLLER FD R	1	X	
8.6-36-2	JC72-41007A	PMO-ROLLER FD F	1	X	
8.6-36-3	JC72-41006A	PMO-HOLDER EXIT ROLL	1	X	
8.6-36-4	JC61-70911A	SPRING ETC-EXIT ROLL FD	1	X	
8.6-37	JC39-00523A	CBF HARNESS-AC INLET	1	X	
8.6-39	JC63-00920A	GROUND-P-FUSER	1	X	
8.6-40	JC63-00925A	GROUND-P-MOTOR FUSER	1	X	
8.6-41	JC63-00924A	GROUND-P-SHIELD SMPS	1	X	
8.6-42	JC63-00921A	GROUND-P-GUIDE TR	1	X	
8.6-43	JC75-00049A	MEC-TERMINAL	4	X	
8.6-43-1	JC61-00035A	SPRING ETC-HV APOLLO	1	X	
8.6-43-2	JC70-00050A	IPR-TERMINAL	1	X	
8.6-44	JC65-00014A	TERMINAL-P-HV CR	1	X	
8.6-45	JC70-00312A	IPR-P-TERMINAL CON	3	X	
8.6-46	JC61-01584A	HOUSING-M_TERMINAL	1	X	
8.6-47	JC92-01828A	PBA SUB-CONNECTION	1	X	
8.6-48	JC72-00974A	PMO-ACTUATOR CVR OPEN	1	X	
8.6-49	JC61-01746A	GUIDE-TR RIB	1	X	
8.6-50	JC61-00604B	PLATE-E_SAW	1	X	
8.6-51	JC61-00607A	GUIDE-P-TR	1	X	
8.6-53	JC61-70958A	SPRING ETC-TR	2	X	
8.6-54	JC61-00914A	PLATE-P-PUSH BUSHING	2	X	
8.6-55	JC61-00907A	HOLDER-M-PTL R2	1	X	
8.6-56	JC70-00307A	IPR-P-EARTH TRANSFER	1	X	
8.6-57	JC61-00047A	SPRING ETC-TR L HAWK	1	X	
8.6-58	JC61-00588A	BUSH-M-TR L	1	X	
8.6-59	JC72-00102A	PMO-BUSHING_TR(L)	1	X	
8.6-60	JC63-00918A	GROUND-P-EARTH TR	1	X	
8.6-61	JC96-03801A	ELA UNIT-FUSER_110V	1	O	110V
8.6-61	JC96-03802A	ELA UNIT-FUSER_220V	1	O	220V
8.6-62	JC61-00835A	FOOT-BACK	2	X	
8.6-63	JC63-00914A	SHIELD-P-HVPS	1	X	
8.6-64	JC63-00961A	SHEET-INSULATOR_HVPS	1	X	
8.6-65	JC44-00107A	HVPS-ELBERT	1	O	
8.6-66	JC39-00519A	CBF HARNESS-SMPS	1	O	
8.6-67	JC39-00518A	CBF HARNESS-ENGINE	1	O	
8.6-68	JC39-00524A	CBF HARNESS-LSU S/W	1	O	

**8.7 Fuser Drive Ass'y**

Drawer#	SEC Parts Code	Description and Specification	QT'y	FRU Item (O/X)	Remark
8.7-0	JC96-03866A	ELA HOU-FUSER DRIVE	1	X	
8.7-1	JC61-01598A	BRACKET-P-FUSER EXIT	1	X	
8.7-2	JC31-00037E	MOTOR STEP-MAIN	1	X	
8.7-4	6044-000125	RING-E	1	X	
8.7-5	6044-000231	RING-E	2	X	
8.7-6	JC66-01163A	GEAR-FUSER RDCN IN 95	1	X	
8.7-7	JC66-00340A	GEAR-HUB CLUTCH	1	X	
8.7-8	JC66-00417A	GEAR-RDCN FUSER OUT	1	X	
8.7-9	JC66-01158A	GEAR-EXIT RDCN 87/24	1	X	

**8.8 Main Drive Ass'y**

Drawer#	SEC Parts Code	Description and Specification	QT'y	FRU Item (O/X)	Remark
8.8-0	JC96-03761A	ELA UNIT-MAIN DRIVE	1	O	
8.8-1	JC31-00047A	MOTOR DC-BLDC MAIN	1	X	
8.8-2	JC61-01593A	BRACKET-P-GEAR MAIN	1	X	
8.8-3	JC61-01597A	BRACKET-P-MOTOR MAIN	1	X	

Drawer#	SEC Parts Code	Description and Specification	QT'y	FRU Item (O/X)	Remark
8.8-4	JC66-01156A	GEAR-OPC RDCN 93/61	1	X	
8.8-5	JC66-01157A	GEAR-OPC DRV 113/33	1	X	
8.8-6	JC66-01162A	GEAR-FEED RDCN 55/18	2	X	
8.8-7	6031-000023	WASHER-PLAIN	2	X	
8.8-8	6302-001056	GASKET	3	X	

**8.9 MP Ass'y**

Drawer#	SEC Parts Code	Description and Specification	QT'y	FRU Item (O/X)	Remark
<b>8.9-0</b>	<b>JC96-03837A</b>	<b>ELA HOU-MPF</b>	<b>1</b>	<b>O</b>	
8.9-1	JC61-01603A	FRAME-M_MP	1	X	
8.9-2	JC97-02443A	MEA-IDLE FEED	1	X	
8.9-2-1	JC61-01604A	HOLDER-M_IDLE FEED	1	X	
8.9-2-2	JC61-00484A	SPRING ETC-EXIT LOWER IDLE	2	X	
8.9-2-3	JC61-01605A	HOLDER-M_SHAFT IDLE	2	X	
8.9-2-4	JC66-01186A	ROLLER-IDLE FEED	1	X	
8.9-2-5	JC66-01172A	SHAFT-IDLE FEED	1	X	
8.9-2-6	JC63-00997A	COVER-M_IDLE FEED	1	X	
8.9-3	JC63-01094A	SHEET-GUIDE MP	1	X	
8.9-4	JC66-00396A	GEAR-IDLE 23	1	X	
8.9-5	JC33-00015A	SOLENOID-MP	1	X	
8.9-6	JC61-00924A	HOLDER-M-PAD_MP	1	X	
8.9-7	JC73-00140A	RPR-FRICTION PAD	1	X	
8.9-8	JC61-70911A	SPRING ETC-EXIT ROLL FD	1	X	
8.9-9	JC61-00927A	PLATE-P-KNOCK UP_MP	1	X	
8.9-10	JC72-00761A	PMO-ROLLER CAM.MP	1	X	
8.9-11	JC73-00141A	RPR-PAD CASSETTE	1	X	
8.9-12	6107-001237	SPRING-ES	2	X	
8.9-13	JC61-00926A	HOLDER-M-SENSOR_MP	1	X	
8.9-14	0604-001095	PHOTO-INTERRUPTER	1	X	
8.9-15	JC72-01338A	PMO-M-ACT EMPTY MP	1	X	
8.9-16	JC39-00365A	CBF HARNESS-MPF SEN	1	X	
8.9-17	JC97-02034A	MEA-PICK UP_MP	1	O	
8.9-17-1	JC73-00194A	RUBBER-PICK UP_MP	1	X	
8.9-17-2	JC61-00925A	HOUSING-M_PICK UP_MP	1	X	
8.9-17-3	JC61-00910A	HOUSING-M-PICK UP2_R2	1	X	
8.9-18	JC66-00710A	GEAR-M-PICK UP_MP	1	X	
8.9-19	6107-001167	SPRING-CS	1	X	
8.9-20	JC66-00709A	GEAR-M-HOLDER_MP	1	X	
8.9-21	JC66-01205A	CAM-M_PICK UP_MP	1	X	
8.9-22	JC66-00399A	SHAFT-P-PICK_UP	1	X	
8.9-23	JC61-00915A	STOPPER-M-PICK UP_R2	2	X	
8.9-24	JC72-00982A	PMO-IDLE PICK_UP	2	X	
8.9-25	JC66-00720A	SHAFT-P-CORE	2	X	
8.9-26	JC61-00587A	BUSH-M-PICK_UP R	1	X	
8.9-27	JC61-00932A	BRACKET-P-PICKUP_MP	1	X	

**8.10 ADF Ass'y**

Drawer#	SEC Parts Code	Description and Specification	QT'y	FRU Item (O/X)	Remark
<b>8.10-0</b>	<b>JC96-03810A</b>	<b>ELA HOU-ADF</b>	<b>1</b>	<b>O</b>	
8.10-1	JC96-03812A	ELA HOU-ADF LOWER	1	X	
8.10-1-1	JC63-00370A	COVER-M-ADF LOWER R2	1	X	
8.10-1-2	JC61-00712A	GUIDE-STACKER SUB	2	X	
8.10-1-3	JC75-00095A	MEC-BRUSH ANTISTATIC	1	X	
8.10-1-4	JC61-00548A	SPRING ETC-WHITE BAR	2	X	
8.10-1-5	JC61-01695A	BRACKET-P_WHITE_BAR	1	X	
8.10-1-6	JC72-00752A	PPR-WHITE BAR SHEET	1	X	
8.10-1-7	JB72-00819A	PMO-BUSH	4	X	
8.10-1-8	JC66-00559A	ROLLER-EXIT	1	X	
8.10-1-9	JC66-00310A	GEAR-AGITATOR-2	1	X	
8.10-1-10	6044-000159	RING-C	1	X	
8.10-1-11	JC66-00560A	ROLLER-DRIVE	1	X	
8.10-1-12	JC66-00460A	SHAFT-M-FEED GEAR 38	1	X	
8.10-1-13	JC92-01755B	PBA SUB-ADF	1	X	
8.10-1-14	JC72-01011A	PMO-ACTUATOR SCAN SENSOR	1	X	
8.10-1-15	JB61-00076A	SPRING ETC-TORSION DOC (CC2-F)	3	X	
8.10-1-16	JC72-01010A	PMO-ACTUATOR REGI SENSOR	1	X	
8.10-1-17	JC72-01320A	PMO-ACT EMPTY ADF	1	X	
8.10-1-18	JC70-10467A	IPR-GROUND_ROLLER	1	X	
8.10-1-19	JC63-00372A	GROUND-P-ADF R2	1	X	
8.10-1-20	JC39-00187A	CBF HARNESS-ADF ROLLER GND	1	X	
8.10-1-21	JC39-00349A	CBF HARNESS-ADF	1	X	
8.10-2	JC96-03065A	ELA HOU-ADF MOTOR	1	X	

Drawer#	SEC Parts Code	Description and Specification	QT'y	FRU Item (O/X)	Remark
8.10-2-1	JC61-00892A	BRACKET-P-GEAR ADF	1	X	
8.10-2-2	JC31-00036A	MOTOR STEP-ADF	1	X	
8.10-2-3	JC39-00363A	CBF HARNESS-ADF GND	1	X	
8.10-2-4	JB66-00101A	GEAR-CLUTCH 29	1	X	
8.10-2-5	JB72-00844A	PMO-WHITE CLUTCH SUB 29	1	X	
8.10-2-6	JC66-00322A	GEAR-CLUTCH 39	1	X	
8.10-2-7	6044-000159	RING-C	1	X	
8.10-2-8	JC66-00458A	GEAR-IDLE 35 ADF	3	X	
8.10-2-9	6044-000125	RING-E	6	X	
8.10-2-10	JC66-00456A	GEAR-40/21 ADF	2	X	
8.10-2-11	6031-000019	WASHER-PLAIN	2	X	
8.10-2-12	JC61-00387A	SPRING ETC-PAD	1	X	
8.10-2-13	6031-001511	WASHER-PLAIN	1	X	
8.10-2-14	JC66-00557B	GEAR-REMOVE ADF(XRX)	1	X	
8.10-2-15	JC66-00454A	LINK-M-SWING ADF	1	X	
8.10-2-16	JC66-00457A	GEAR-SWING 31/20 ADF	1	X	
8.10-2-17	JC66-00455A	GEAR-58/25 ADF	1	X	
8.10-2-18	6031-000023	WASHER-PLAIN	1	X	
8.10-2-19	JC66-00556A	IMPELLER-ADF	1	X	
8.10-3	JC97-01939A	MEA UNIT-ADF UPPER	1	X	
8.10-3-1	JC63-00375A	COVER-M-ADF UPPER R2	1	X	
8.10-3-2	JC97-01940A	MEA UNIT-HOLDER ADF	1	X	
8.10-3-2-1	JC61-00893A	HOLDER-M-PAD ADF	1	X	
8.10-3-2-2	JC61-00387A	SPRING ETC-PAD	1	X	
8.10-3-2-3	JC63-00373A	SHEET-ADF HOLDER	1	X	
8.10-3-2-4	JB73-00052A	RMO-ADF RUBBER	1	X	
8.10-3-2-5	JC66-00738A	DAMPER-PAD ADF_R2	2	X	
8.10-4	JC97-01962A	MEA UNIT-PICKUP DELL	1	X	
8.10-4-1	JC72-00734A	PMO-COVER ADF	1	X	
8.10-4-2	JB66-00103A	GEAR-ADF 38	1	X	
8.10-4-3	JC61-00963A	STOPPER-M-PICKUP ADF	1	X	
8.10-4-4	6044-000159	RING-C	1	X	
8.10-4-4	JC66-00561A	SHAFT-ADF PICKUP	1	X	
8.10-4-5	JB70-00168A	ICT-PIN ADF	2	X	
8.10-4-6	6031-000023	WASHER-PLAIN	1	X	
8.10-4-7	JB66-00102A	GEAR-PICK UP IDEL 38	1	X	
8.10-4-8	JB75-00300A	MEC-PICK UP ROLLER ASSY	1	X	
8.10-4-8A	JB72-00823A	PMO-SLEEVE PICK UP	1	X	
8.10-4-8B	JB73-00055A	RMO-PICKUP ROLLER	1	X	
8.10-4-9	JB72-00821A	PMO-ADF COLAR	1	X	
8.10-4-10	JB61-70904A	SPRING ETC-CLUTCH	1	X	
8.10-4-11	JB72-00817A	PMO-ADF CLUTCH	1	X	
8.10-4-12	JB66-00104A	GEAR-ADF IDLE 34	1	X	
8.10-4-13	JC72-00744A	PMO-SHAFT PICK UP	1	X	
8.10-4-14	JB66-00105A	GEAR-PICK UP 26	1	X	
8.10-4-15	JB72-00845A	PMO-PICK UP CLUTCH SUB	2	X	
8.10-4-16	JB75-00299A	MEC-ADF ROLLER ASSY	1	X	
8.10-4-16A	JB73-00054A	RMO-ADF ROLLER	1	X	
8.10-4-16B	JB72-00822A	PMO-SLEEVE ADF	1	X	
8.10-5	JC97-02671A	MEA UNIT-COVER OPEN	1	O	
8.10-5-1	JC63-00371c	COVER-M-ADF OPEN R2	1	X	
8.10-5-2	JB72-00843A	PMO-GUIDE PAPER	2	X	
8.10-5-3	JC66-00726A	DAMPER-PICK UP ADF	1	X	

**8.11 Cover Platen**

Drawer#	SEC Parts Code	Description and Specification	QT'y	FRU Item (O/X)	Remark
8.11-0	JC96-03788A	ELA HOU-PLATEN	1	O	
8.11-1	JC97-01938A	MEA UNIT-TX STACKER	1	X	
8.11-1-1	JC63-00457A	COVER-M-STACKER TX DELL	1	X	
8.11-1-2	JC61-00959A	GUIDE-M-DOCU L_DELL	1	X	
8.11-1-3	JC61-00958A	GUIDE-M-DOCU R_DELL	1	X	
8.11-1-4	JF70-10616A	IPR-WASHER SPRING CU	2	X	
8.11-1-5	JG66-40003A	GEAR-PINION	1	X	
8.11-2	JC63-00374A	COVER-M-PLATEN R2	1	X	
8.11-3	JC63-00209A	SHEET-WHITE SPONGE	1	X	
8.11-4	JC97-01961A	MEA UNIT-HINGE DELL	2	X	
8.11-5	JC61-00011A	SPRING ETC-FEED	6	X	
8.11-6	JF70-40521B	ICT-SHAFT PINCH	1	X	
8.11-7	JC66-00728A	ROLLER-ADF FEED	2	X	
8.11-8	JC66-00558A	SHAFT-IDLE FEED	2	X	
8.11-9	JG72-40663A	PMO-ROLL PINCH	2	X	

**8.12 OPE Unit**

Drawer#	SEC Parts Code	Description and Specification	QT'y	FRU Item (O/X)	Remark
8.12-0	JC96-03774A	ELA HOU-OPE	1	O	America
8.12-0	JC96-03774B	ELA HOU-OPE	1	O	Europe
8.12-1	JC63-00981A	COVER-M_OPE	1	X	
8.12-2	JC64-00131A	BADGE-DELL	1	X	
8.12-3	JC72-00672A	PCT-LCD WINDOW	1	X	
8.12-4	JC64-00252A	KEY-M_SELECT	1	X	
8.12-5	JC64-00238A	KEY-M_MENU	1	X	
8.12-6	JC64-00237A	KEY-M_TEL	1	X	
8.12-7	JC73-00229A	RUBBER-TEL MENU	1	X	
8.12-8	JC92-01749A	PBA SUB-OPE	1	X	

### 8.13 Scanner Ass'y

Drawer#	SEC Parts Code	Description and Specification	QT'y	FRU Item (O/X)	Remark
8.13-0	JC96-03778A	ELA HOU-SCAN	1	X	
8.13-1	JC97-02445A	MEA UNIT-SCAN UPPER	1	X	
8.13-1-1	JC97-01941A	MEA UNIT-SCAN DUMMY	1	X	
8.13-1-1-1	JC63-00456A	COVER-M-SCAN DUMMY DELL	1	X	
8.13-1-1-2	JC74-00021A	MCT-GLASS ADF	1	X	
8.13-1-1-3	0203-001744	TAPE-DOUBLE FACE	1	X	
8.13-1-1-6	JC02-00013A	TAPE ETC-DOUBLE TAPE SMALL	1	X	
8.13-1-1-7	JB68-00644A	LABEL(P)-SHADING	1	X	
8.13-1-1-8	0203-001266	TAPE-DOUBLE FACE	1	X	
8.13-1-2	JC63-00380B	COVER-M_SCAN UPPER	1	X	
8.13-1-3	JC01-00001A	GLASS-SCAN	1	X	
8.13-1-4	0203-001267	TAPE-DOUBLE FACE	1	X	
8.13-1-5	JB70-00148A	IPR-HOLDER GLASS	2	X	
8.13-2	JC96-03786A	ELA HOU-SCAN LOWER	1	X	
8.13-2-1	JC63-00980A	COVER-M_SCAN LOWER	1	X	
8.13-2-2	JC96-03069A	ELA HOU-SCAN MOTOR	1	X	
8.13-2-2-1	JC61-00895A	BRACKET-SCAN MOTOR R2	1	X	
8.13-2-2-2	JC66-00531A	GEAR-TIMING	1	X	
8.13-2-2-3	JB72-00764A	PMO-HOLDER BELT	1	X	
8.13-2-2-3	JB72-00764A	PMO-HOLDER BELT	1	X	
8.13-2-2-4	6044-000125	RING-E	1	X	
8.13-2-2-5	JB66-00083A	GEAR-IDLE	1	X	
8.13-2-2-6	JC66-00530A	GEAR-REDUCTION73/37	1	X	
8.13-2-2-7	JB31-00011A	MOTOR STEP-SCAN	1	X	
8.13-2-3	JC96-03819A	ELA HOU-CCDM_2905	1	X	
8.13-2-4	JB70-00145A	ICT-SHAFT CCD	1	X	
8.13-2-5	JC39-00514A	CBF SIGNAL-CCD FFC	1	X	
8.13-2-6	JB72-00763A	PMO-PULLEY	1	X	
8.13-2-7	6602-001067	BELT-TIMING GEAR	1	X	
8.13-2-9	6044-000125	RING-E	1	X	
8.13-2-10	JB61-00059A	SPRING ETC-BELT	1	X	
8.13-2-11	6107-001135	SPRING-CS	1	X	
8.13-2-12	JC72-00755A	PMO-LEVER SENSOR	1	X	
8.13-2-13	0604-001095	PHOTO-INTERRUPTER	2	X	
8.13-2-14	JC39-00535A	CBF HARNESS-PLA_COVER	1	X	
8.13-2-15	JC39-00531A	CBF HARNESS-CCD_HOME	1	X	
8.13-2-16	JB96-01381A	ELA UNIT-CORE	3	X	
8.13-2-16-1	3301-001413	CORE-FERRITE	1	X	
8.13-2-17	JC39-00513B	CBF HARNESS-OPE	1	X	
8.13-2-18	JC61-00894A	HOLDER-M-CCD	1	X	
8.13-3	JC96-03774A	ELA HOU-OPE	1	O	America
8.13-3	JC96-03774B	ELA HOU-OPE	1	O	Europe

### 8.14 Cassette Ass'y

Drawer#	SEC Parts Code	Description and Specification	QT'y	FRU Item (O/X)	Remark
8.14-0	JC97-02414A	MEA UNIT-CASSETTE	1	O	
8.14-0	JC96-03854A	OPTION-CASSETTE(250 Sheet)	1	O	
8.14-1	JC70-00300G	ADJUST-M-CST L_DELL	1	X	
8.14-2	JC70-00301G	ADJUST-M-CST R_DELL	1	X	
8.14-3	JG66-40003A	GEAR-PINION	1	X	
8.14-4	JC97-01931A	MEA UNIT-HOLDER PAD	1	X	
8.14-4-1	JC61-00580A	HOLDER-M-PAD	1	X	
8.14-4-2	JC63-00407A	SHEET-HOLDER PAD R2	1	X	
8.14-4-3	JC70-00314A	IPR-PLATE PAD	1	X	
8.14-4-4	JC73-00140A	RPR-FRICTION PAD	1	X	
8.14-5	JC61-70911A	SPRING ETC-EXIT ROLL FD	1	X	
8.14-6	JC61-00603A	PLATE-P-KNOCK_UP	1	X	

Drawer#	SEC Parts Code	Description and Specification	QT'y	FRU Item (O/X)	Remark
8.14-7	6107-001166	SPRING-CS	2	X	
8.14-8	JC73-00141A	RPR-PAD CASSETTE	1	X	
8.14-9	JC66-00719A	CAM-M-KNOCK UP	1	X	
8.14-10	JC61-00876G	FRAME-M CASSETTE	1	X	
8.14-11	JC61-00918L	GUIDE-M EXTENSION L	1	X	
8.14-12	JC61-00960A	GUIDE-M-EXTEND S DELL	1	X	
8.14-13	JC72-00972A	PMO-PLATE LOCKER	1	X	
8.14-14	JG61-70531A	SPRING ETC-LOCKER_PLATE	1	X	
8.14-15	JC63-00955A	COVER-M SUB CST	1	X	

**8.15 Fuser Ass'y**

Drawer#	SEC Parts Code	Description and Specification	QT'y	FRU Item (O/X)	Remark
<b>8.15-0</b>	<b>JC96-03801A</b>	<b>ELA UNIT-FUSER 110V</b>	<b>1</b>	<b>O</b>	<b>110V</b>
<b>8.15-0</b>	<b>JC96-03802A</b>	<b>ELA UNIT-FUSER 220V</b>	<b>1</b>	<b>O</b>	<b>220V</b>
8.15-1	JC61-01632A	FRAME-P-FUSER	1	X	
8.15-2-3	JC66-00426B	GEAR-IDLE 23	1	X	
8.15-2-4	6044-000231	RING-E	2	X	
8.15-2-4	JC66-00425A	GEAR-IDLE 33	1	X	
8.15-3	JC39-00520A	CBF HARNESS-FUSER CON	1	X	
8.15-4	4712-001031	THERMOSTAT	1	X	
8.15-5	1404-001364	THERMISTOR-NTC ASSY	1	X	
8.15-6	JC61-00785A	HOLDER-M-IDLE ROLLER	2	X	
8.15-7	JC72-40981A	PMO-ROLLER UPPER DP	2	X	
8.15-8	JC39-00521A	CBF HARNESS-FUSER REC	1	X	
8.15-9	JC72-41128B	PMO-GUIDE CLAW GREEN	4	X	
8.15-10	6107-001291	SPRING-ES	4	X	
8.15-11	JC72-20902A	PEX-ROLLER F/UP(2)	2	X	
8.15-12	JC70-20901A	IEX-SHAFT IDLE,F/UP	2	X	
8.15-13	6107-001159	SPRING-TS	2	X	
8.15-15	JC61-01627A	BRACKET-P-FUSER	1	X	
8.15-16	JC61-01306B	HOLDER-M JAM R	1	X	
8.15-17	JC61-01305B	HOLDER-M JAM L	1	X	
8.15-29	6107-001237	SPRING-ES	1	X	
8.15-19	JC66-00957A	LEVER-M_LINK JAM	2	X	
8.15-20	6044-000125	RING-E	4	X	
8.15-21	JC63-01005A	COVER-M_FUSER	1	X	
8.15-22	JC61-01633A	GUIDE-M_REAR	1	X	
8.15-23	JC72-00988A	PMO-ACTUATOR EXIT	1	X	
8.15-24	JC61-70903A	SPRING ETC-ACTUATOR	1	X	
8.15-25	JC72-00382A	PMO-BUSHING TX	3	X	
8.15-26	JC66-00402A	SHAFT-M-EXIT_F/UP	1	X	
8.15-27	JC66-40209A	GEAR-EXIT	1	X	
8.15-28	JC61-01625B	HOLDER-M_REAR_LEVER	1	X	
8.15-31	JC61-01699A	SPRING ETC-PR	2	X	
8.15-32	JC66-00599A	ROLLER-PRESSURE	1	X	
8.15-33	JC66-01194A	ROLLER-HEAT	1	X	
8.15-34	JC66-10901A	BEARING-PRESSURE/R	2	X	
8.15-35	JC61-01629A	BUSH-M_HR R	2	X	
8.15-36	JC66-01192A	GEAR-M_FUSER	1	X	
8.15-37	4713-001207	LAMP-HALOGEN	1	X	110V
8.15-37	4713-001208	LAMP-HALOGEN	1	X	220V
8.15-37	JC75-00095A	MEC-BRUSH ANTISTATIC	1	X	
8.15-38	JC73-40909B	RMO-RUBBER EXIT_F/UP	2	X	

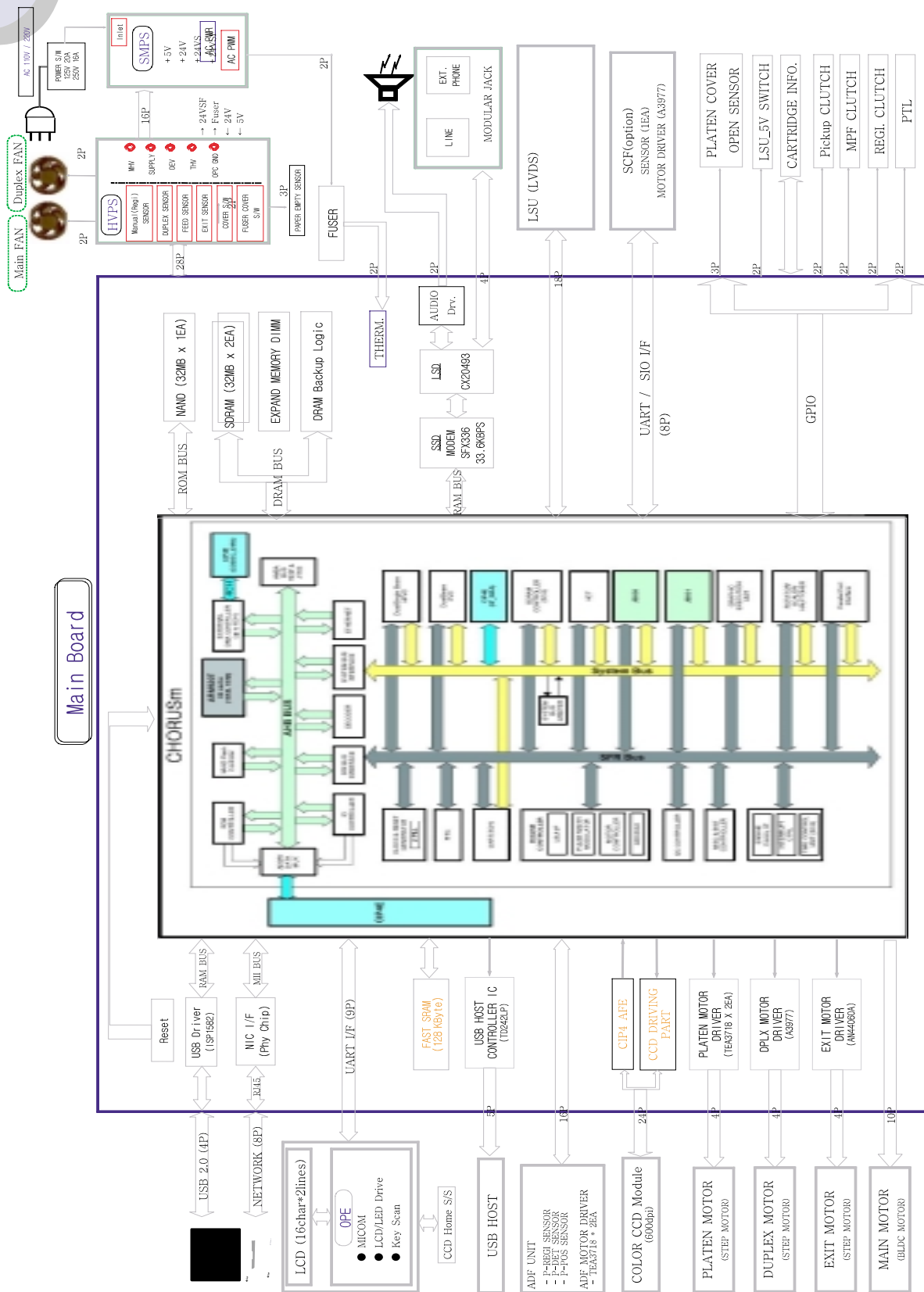
**8.16 Duplex Unit**

Drawer#	SEC Parts Code	Description and Specification	QT'y	FRU Item (O/X)	Remark
<b>8.16-0</b>	<b>JC97-02393B</b>	<b>MEA UNIT-DUPLEX</b>	<b>1</b>	<b>X</b>	
8.16-1	JC61-01594B	FRAME-M DUP	1	X	
8.16-2	JC61-01596A	BRACKET-P-ALIGN DUP	1	X	
8.16-3	JC61-00665A	BUSH-M-FEED, DUP	4	X	
8.16-4	JC96-03662B	ELA UNIT-ROLLER DUP2	1	X	
8.16-5	6044-000107	RING-C	1	X	
8.16-6	JC66-00038A	GEAR-EXIT F/DOWN	1	X	
8.16-7	JC96-03662A	ELA UNIT-ROLLER DUP	1	X	
8.16-8	JC66-00900A	PULLEY-M-18-DUMMY DUP	3	X	
8.16-9	6003-000196	SCREW-TAPTITE	4	X	
8.16-10	JC65-00017A	TERMINAL-P-GND DUP	2	X	
8.16-11	JC61-01595A	GUIDE-M UPPER DUP	1	X	
8.16-12	6107-001156	SPRING-TS	2	X	
8.16-13	JK72-00058A	PCT-SILP WASHER	4	X	
8.16-14	JC66-00896A	ROLLER-M-IDLE DUP	2	X	
8.16-15	JC66-00444A	SHAFT-IDLE ROLL, DUP	2	X	



Drawer#	SEC Parts Code	Description and Specification	QT'y	FRU Item (O/X)	Remark
8.16-16	JC66-20901A	BELT-TIMMING	1	X	

# 9. Block Diagram



# 10. Connection Diagram

