

7. Parts catalog

How to use this parts catalog

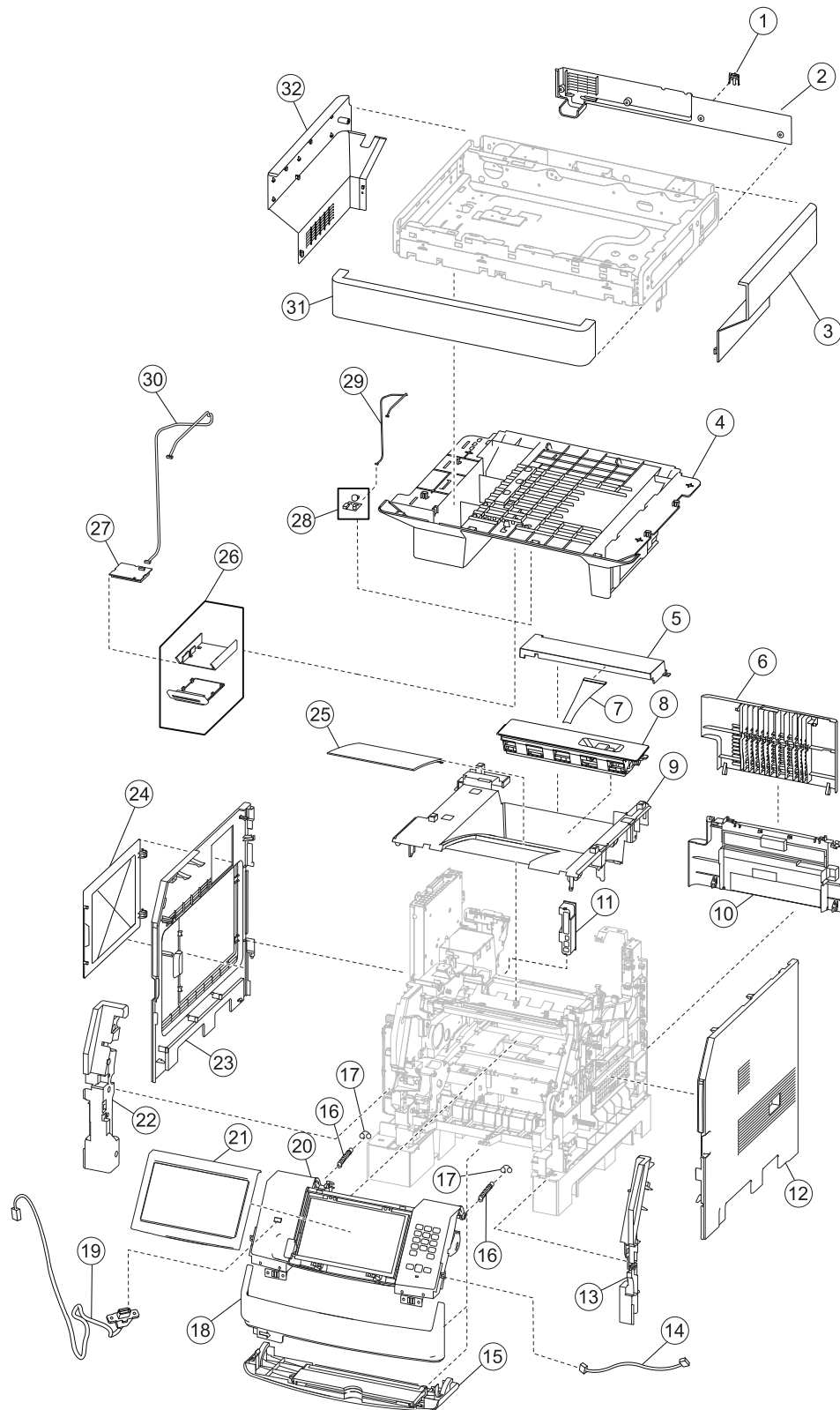
The following legend is used in the parts catalog:

Asm-index	Part number	Units/mach - OR - Units/option	Units/ FRU	Description
-----------	-------------	--------------------------------------	---------------	-------------

- **Asm-index:** Identifies the assembly and the item in the diagram. For example, 3-1 indicates Assembly 3 and item number 1 in the table.
- **Part number:** Identifies the unique number that identifies this FRU.
- **Units/mach:** Refers to the number of units actually used in the base machine or product.
- **Units/option:** Refers to the number of units in a particular option. It does not include the rest of the base machine.
- **Units/FRU:** Refers to the number of units packaged together and identified by the part number.
- **NS:** (Not shown) in the Asm-Index column indicates that the part is procurable but is not pictured in the illustration.
- **PP:** (Parts Packet) in the parts description column indicates the part is contained in a parts packet.
- Model information used in the parts catalog:

Machine type	MFG Model/ Dell Model	Description					
		AIO	Simplex ADF	Duplex ADF	Duplex printer	Modem	Hard drive
7462-031	X651de	x	x		x		
7462-035	X652de/ 5535dn	x	x		x	x	
7462-0A1	X654de	x		x	x		
7462-0A5	X656dte	x		x	x	x	
7462-231	X654de	x		x	x		
7462-232	X654de	x		x	x	x	
7462-235	X656dte	x		x	x		x
7462-236	X656dte	x		x	x	x	x
7462-2A1	X654de	x		x	x		
7462-2A2	X654de	x		x	x	x	
7462-2A5	X656dte	x		x	x		x
7462-2A6	X656dte	x		x	x	x	x
7462-432	X658de	x		x	x		x
7462-436	X658de	x		x	x	x	x
7462-4A2	X658de	x		x	x		x
7462-4A6	X658de	x		x	x	x	x

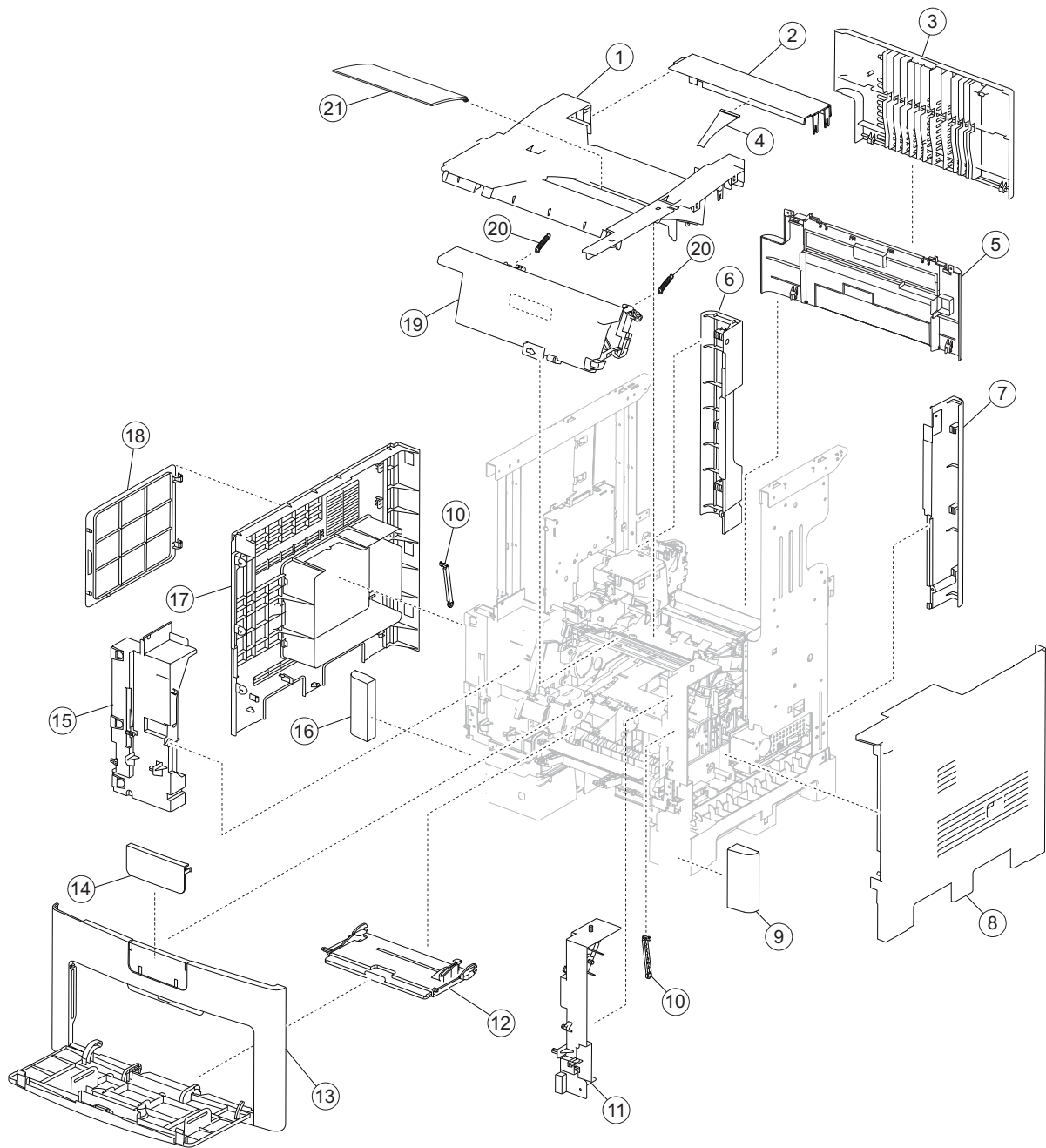
Assembly 1: Covers (X651, X652/5535dn, X654, and X656)



Assembly 1: Covers (X651, X652/5535dn, X654, and X656)

Asm-index	Part number	Units/option	Units/FRU	Description
1	40X2169	1	1	Scanner cover plug, rear (X651)
2	40X4506	1	1	Scanner cover, rear
3	40X4508	1	1	Scanner cover, right (X651, X652, X654, and X656)
4	40X4509	1	1	Scanner support platform (X651, X652, X654, and X656)
5	40X1919	1	1	Output cover assembly (X651, X652, X654, and X656)
6	40X4331	1	1	Door assembly, rear
7	40X4470	1	1	Output bail
8	40X4417	1	1	Fuser wiper cover
9	40X1918	1	1	Laser cover assembly, 550 sheet(X651, X652, X654, and X656)
10	40X4335	1	1	Cover assembly, rear lower
11	40X4629	1	1	Connection bezel assembly, rear
12	40X1917	1	1	Side cover, right (X651, X652, X654, and X656)
13	40X1972	1	1	Inner cover, right (X651, X652, X654, and X656)
14	40X2045	1	1	Operator panel cable assembly (X651, X652, X654, and X656)
15	40X2089	1	1	MPF tray door assembly (X651, X652, X654, and X656)
16	40X2077	2	1	Counter balance spring (X651, X652, X654, and X656)
17	40X2078	2	1	Spring connector (X651, X652, X654, and X656)
18	40X4631	1	1	Operator panel door latch assembly (MFP X651, X652, X654, and X656)
19	40X4377	1	1	USB cable assembly (X651, X652, X654, and X656)
20	40X4503	1	1	Operator panel door assembly with hinges (X654 and X656)
20	40X2149	1	1	Operator panel door assembly with hinges (X651 and X652)
21	40X4000	1	1	X654de touch screen bezel
21	40X4121	1	1	X656de touch screen bezel
21	40X4123	1	1	X651de touch screen bezel
21	40X5757	1	1	X652de touch screen bezel
22	40X1971	1	1	Inner cover, left (X651, X652, X654, and X656)
23	40X1916	1	1	Side cover, left (X651, X652, X654, and X656)
24	40X4481	1	1	Access door (X651, X652, X654, and X656)
25	40X1973	1	1	Media support (X651, X652, X654, and X656)
26	40X4598	1	1	Card reader cover assembly (X651, X652, X654, and X656)
27	40X4604	1	1	Card reader assembly (5125 contact/HID)
27	40X4602	1	1	Card reader assembly (3121 contact)
27	40X4603	1	1	Card reader assembly (5121 contact/RFID)
28	40X2638	1	1	Standard output bin LED assembly (X651, X652, X654, and X656)
29	40X2643	1	1	Standard output bin LED cable assembly
30	40X4601	1	1	Card reader cable assembly (X651, X652, X654, and X656)
31	40X4505	1	1	Scanner cover, front (X651, X652, X654, and X656)
32	40X4507	1	1	Scanner cover, left (X651, X652, X654, and X656)

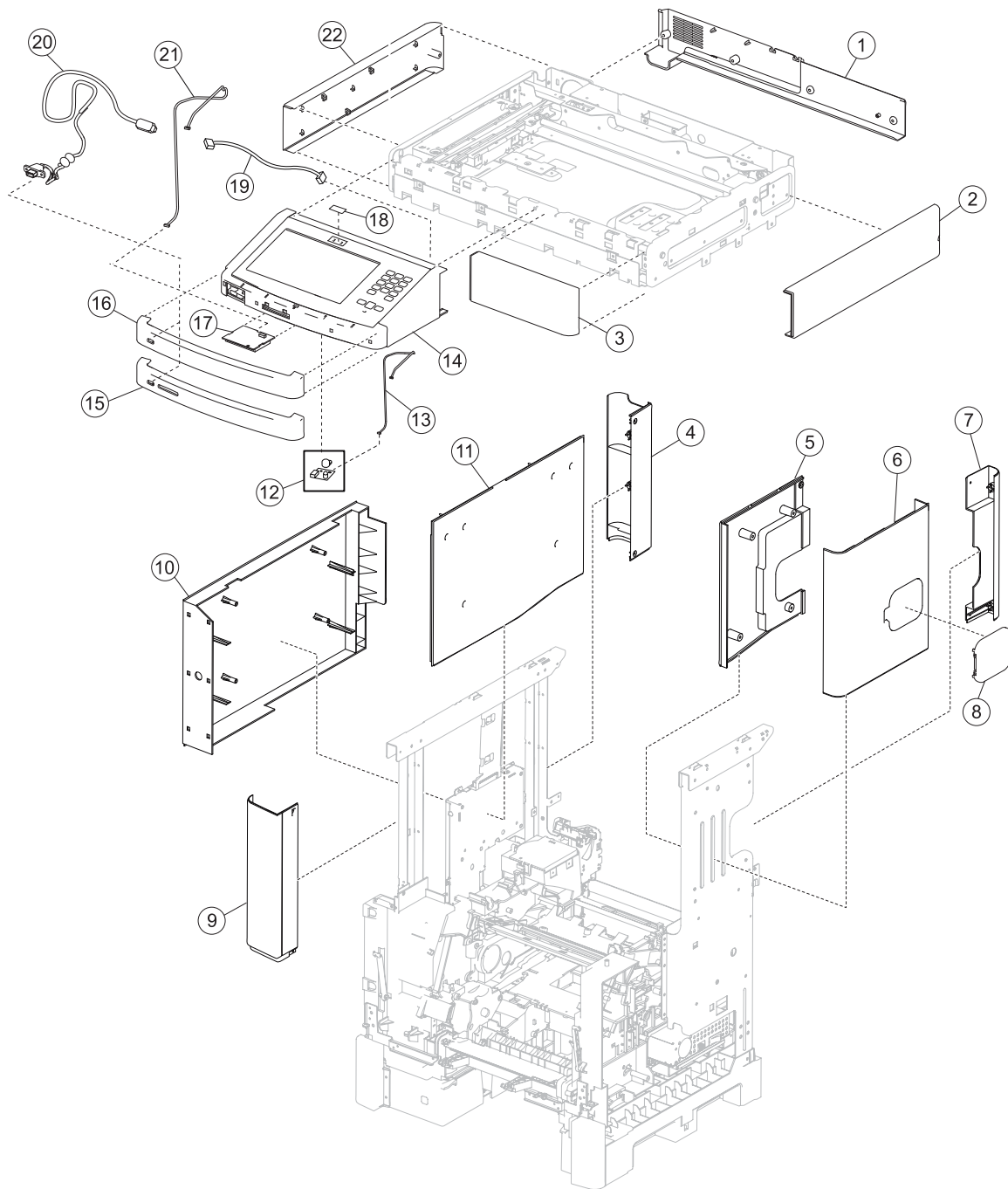
Assembly 2: Covers 1 (X658)



Assembly 2: Covers 1 (X658)

Asm-index	Part number	Units/option	Units/FRU	Description
1	40X1970	1	1	Laser cover assembly, 550 sheet (X658)
2	40X4480	1	1	Output cover assembly (X658)
3	40X4331	1	1	Door assembly, rear
4	40X4470	1	1	Output bail
5	40X4335	1	1	Cover assembly, rear lower
6	40X4477	1	1	Corner cover, left rear (X658)
7	40X4479	1	1	Corner cover, right rear (X658)
8	40X4478	1	1	Side cover, right (X658)
9	40X1976	1	1	Tray cover, right (X658)
10	40X4483	2	1	MPF tray cover support strap (X658)
11	40X4485	1	1	Inner cover, right (X658)
12	40X7047	1	1	MPF media guide assembly (X658)
13	40X2016	1	1	MPF tray cover assembly (X658)
14	40X1915	1	1	Model door bezel (X658)
15	40X4484	1	1	Inner cover, left (X658)
16	40X1975	1	1	Tray cover, left (X658)
17	40X4476	1	1	Side cover, left (X658)
18	40X4475	1	1	Access door (X658)
19	40X1977	1	1	Print cartridge cover assembly (X658)
20	40X4489	2	1	Print cartridge recoil spring (X658)
21	40X2017	1	1	Media support (X658)

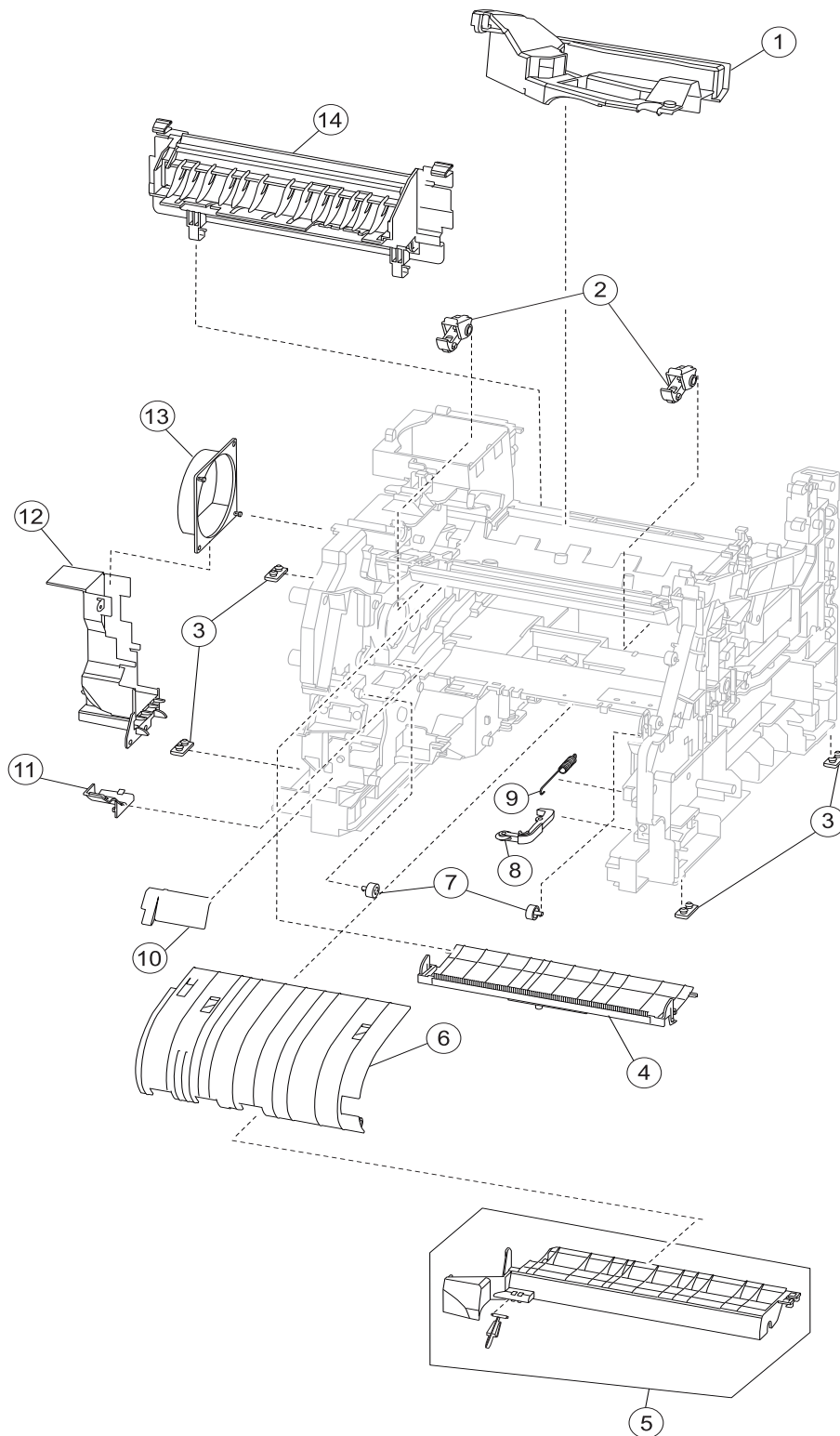
Assembly 3: Covers 2 (X658)



Assembly 3: Covers 2 (X658)

Asm-index	Part number	Units/option	Units/FRU	Description
1	40X4510	1	1	Scanner cover, rear (X658)
2	40X4511	1	1	Scanner cover, right (X658)
3	40X4513	1	1	Scanner cover, front (X658)
4	40X4516	1	1	Scanner support cover, left rear (X658)
5	40X4520	1	1	Scanner support inner cover, right (X658)
6	40X4517	1	1	Scanner support cover, right (X658)
7	40X4518	1	1	Scanner support cover, right rear (X658)
8	40X1974	1	1	Stapler access cover (X658)
9	40X4514	1	1	Scanner support cover, left front (X658)
10	40X4515	1	1	Scanner support cover, left (X658)
11	40X4519	1	1	Scanner support inner cover, left (X658)
12	40X4525	1	1	Standard output bin LED assembly
13	40X4499	1	1	Standard output bin LED cable assembly (X656)
14	40X4504	1	1	Operator panel assembly (X658)
15	40X4599	1	1	Operator panel cover with card reader slot (X658)
16	40X2018	1	1	Operator panel front cover (X658)
17	40X4602	1	1	Card reader assembly (3121 contact)
17	40X4603	1	1	Card reader assembly (5121 contact/RFID)
17	40X4604	1	1	Card reader assembly (5125 contact/HID)
18	40X4491	1	1	Operator panel bezel (X658)
19	40X4492	1	1	Operator panel cable assembly (X658)
20	40X4500	1	1	USB cable assembly (X658)
21	40X4600	1	1	Card reader cable assembly (X658)
22	40X4512	1	1	Scanner cover, left (X658)

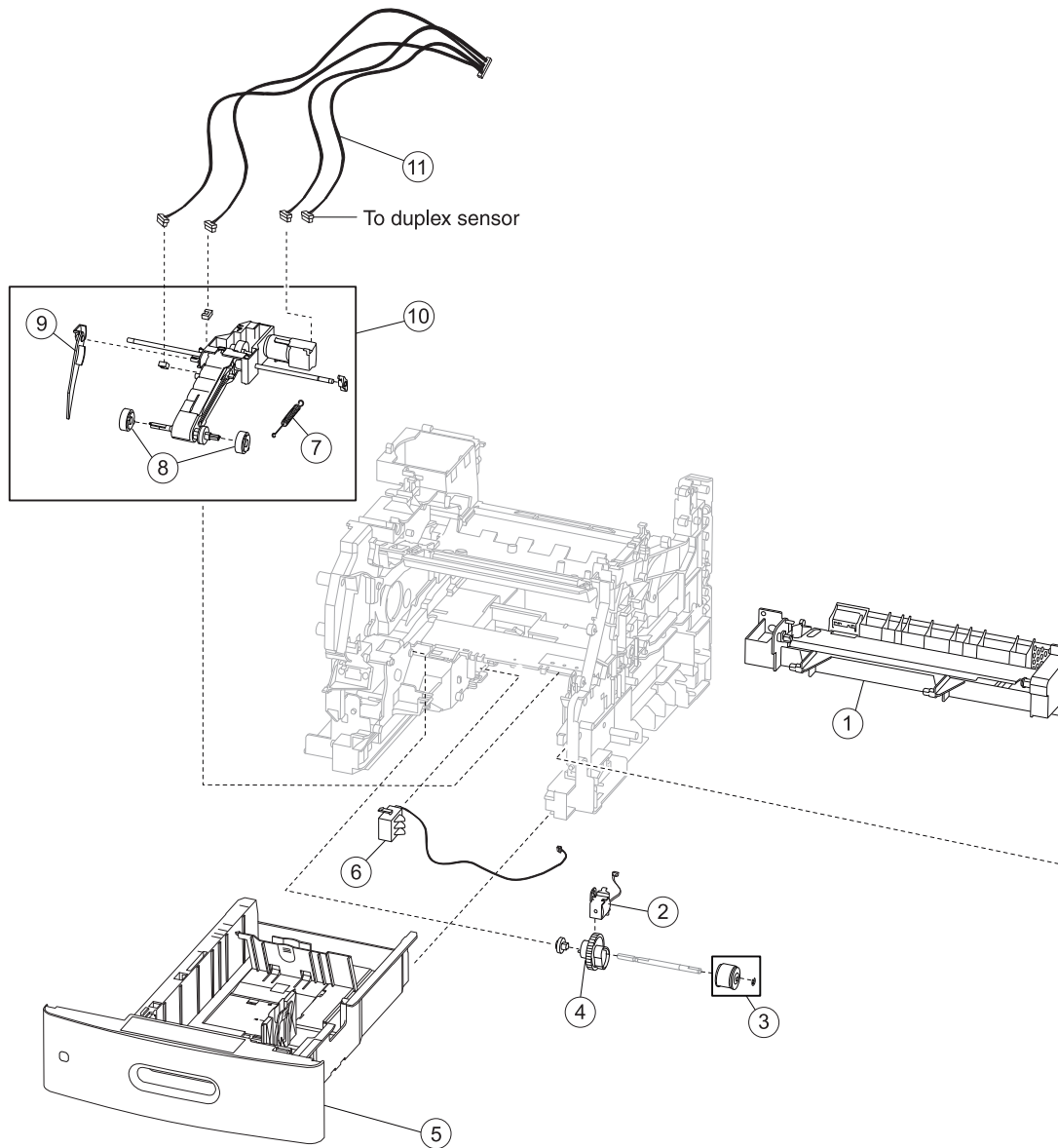
Assembly 4: Media path and ducts



Assembly 4: Media path and ducts

Asm-Index	Part number	Units/mach	Units/kit or pkg	Description
1	40X4384	1	1	EP cooling fan duct
2	40X1868	2	1	Print cartridge clamp assembly
3	40X4390	4	1	Machine pad
4	40X1869	1	1	Transfer deflector with static brush
5	40X1900	1	1	Media turn guide with actuator
6	40X4388	1	1	Inner deflector
7	40X4406	2	1	Print cartridge support roller
8	40X4395	1	1	Tray roller catch assembly
9	40X4394	1	1	Tray catch spring
10	40X4385	1	1	Envelope feeder interface cover (X658 only)
11	40X1876	1	1	MPF gear shield
12	40X4389	1	1	LVPS cooling duct
13	40X4486	1	1	Main cooling fan duct (X658DE)
13	40X4392	1	1	Main cooling duct (X651, X652, X654, and X656)
14	40X4318	1	1	Fuser access door assembly

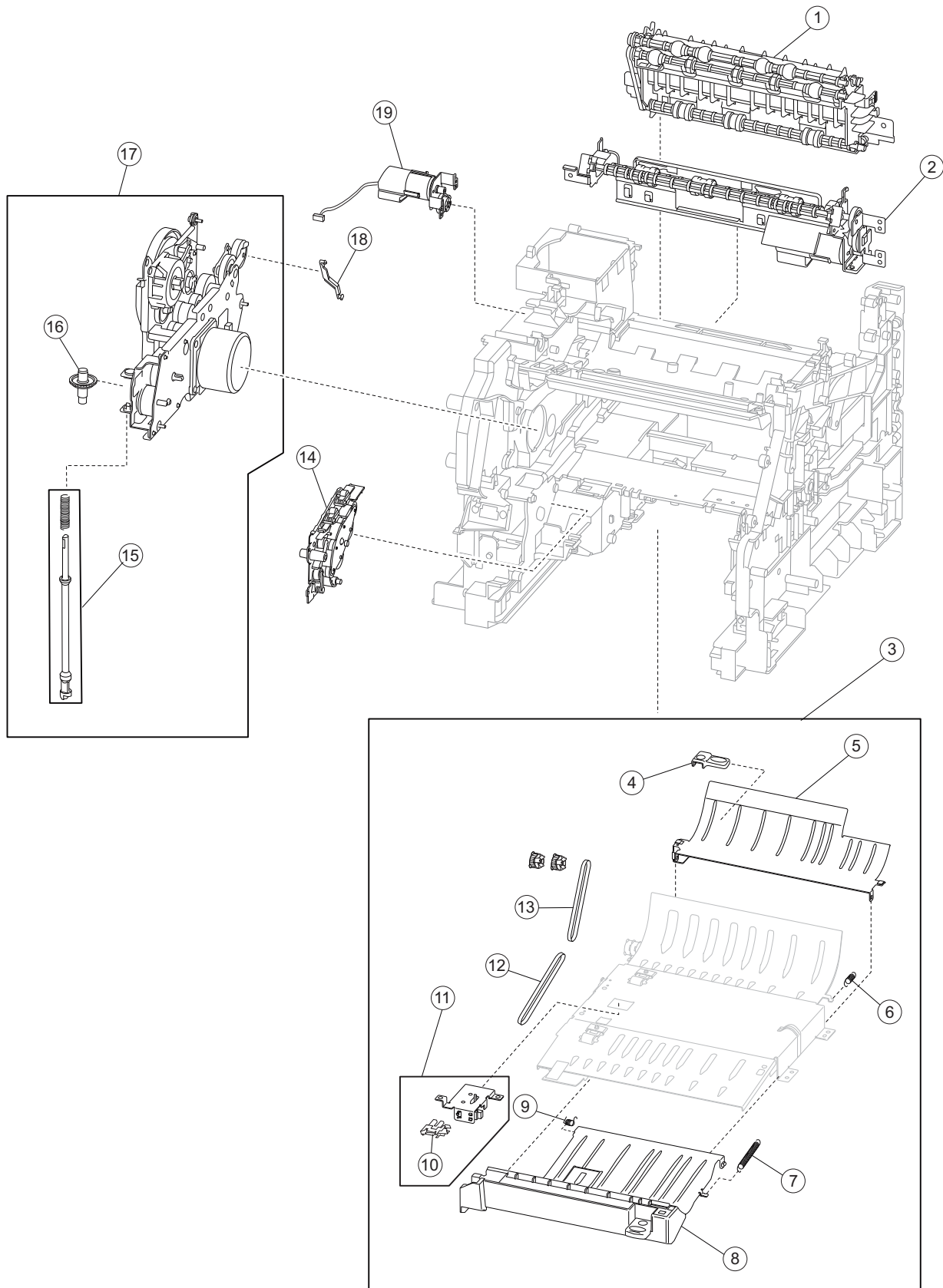
Assembly 5: Pick arm and media tray assemblies



Assembly 5: Pick arm and media tray assemblies

Asm-Index	Part number	Units/mach	Units/kit or pkg	Description
1	40X4459	1	1	MPF lift plate assembly (X651, X652, X654, and X656)
1	40X4425	1	1	MPF lift plate assembly with spring (X658)
2	40X4365	1	1	MPF pick solenoid assembly
3	40X1883	1	1	MPF pick roll assembly with flange and clip
4	40X4457	1	1	MPF cam gear
5	40X4469	1	1	Media tray assembly, 550 sheet (X651, X652, X654, and X656)
5	40X2164	1	1	Media tray assembly (X658)
6	40X4472	1	1	Switch (media size assembly)
7	40X4307	1	1	Pick arm spring
8	40X4308	1	2	Pick roll assembly (2)
9	40X4310	1	1	550 Sheet media out actuator
10	40X4305	1	1	550 Sheet pick arm assembly with spring
11	40X4313	1	1	Pick arm sensor cable assembly

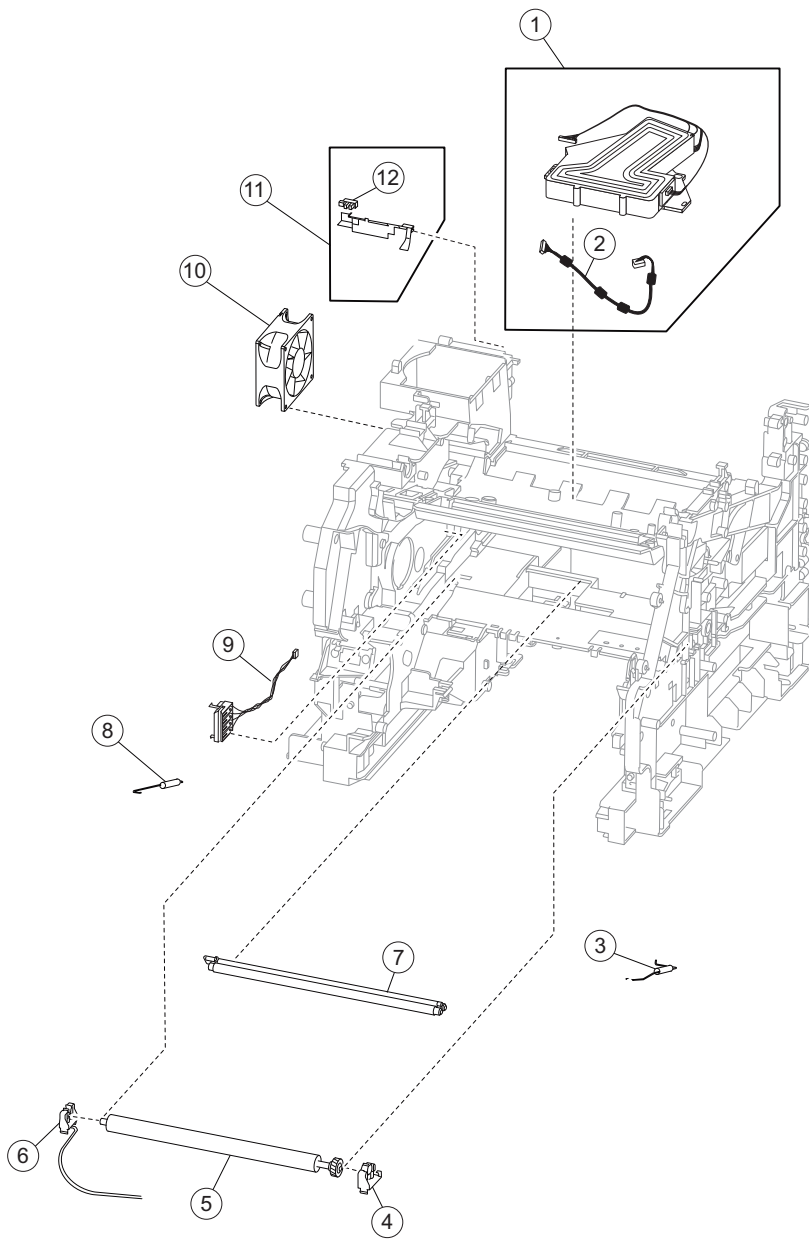
Assembly 6: Drive motor assembly, redrive, and duplex



Assembly 6: Drive motor assembly, redrive, and duplex

Asm-Index	Part number	Units/mach	Units/kit or pkg	Description
1	40X4467	1	1	Redrive assembly
2	40X5851	1	1	Duplex drive motor assembly
3	40X4346	1	5	Duplex assembly with 2 belts and 2 pulleys
4	40X4351	1	1	Duplex guide handle
5	40X4352	1	1	Duplex guide, rear
6	40X4353	1	1	Duplex guide spring, rear
7	40X4349	1	1	Duplex guide spring, right
8	40X4348	1	1	Duplex guide assembly, front
9	40X5551	1	1	Duplex guide spring, left
10	40X4369	1	1	Sensor (duplex input)
11	40X4345	1	1	Duplex input sensor assembly
12	40X4350	1	1	Duplex drive belt, lower
13	40X4354	1	1	Duplex drive belt, upper
14	40X4303	1	3	Alignment assembly with ground strap and adj. screw
15	40X4473	1	2	Option drive shaft with spring
16	99A0954	1	1	Bevel gear with grease packet and washer <ul style="list-style-type: none"> • Bevel gear (1) • Instruction sheet (1) • Grease packet (1)
17	40X5749	1	1	Main drive motor assembly with option drive shaft
18	40X4386	1	1	Fuser drive release linkage
19	40X5850	1	1	Redrive motor assembly

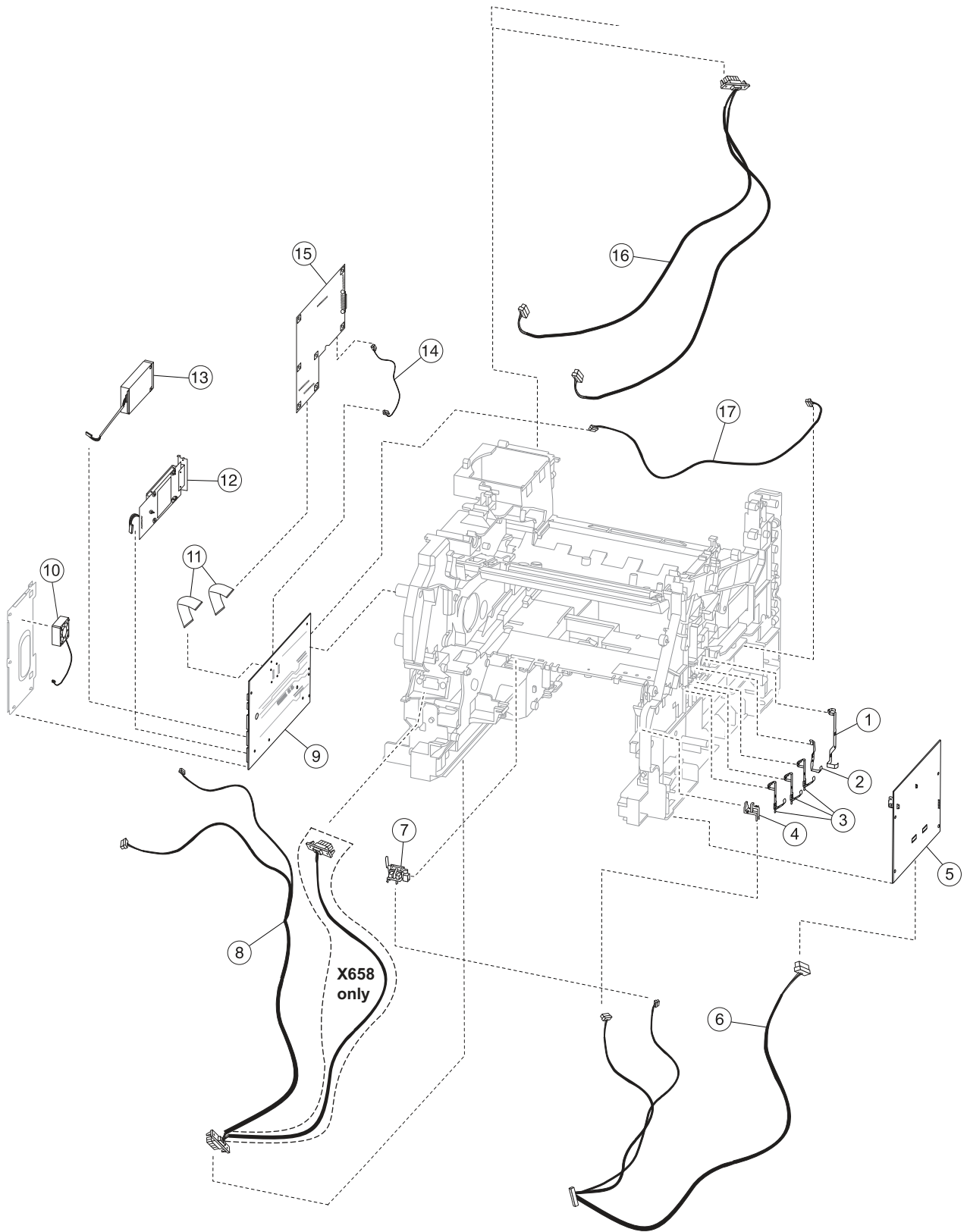
Assembly 7: Printhead, charge, and transfer assembly



Assembly 7: Printhead, charge, and transfer assembly

Asm-Index	Part number	Units/mach	Units/kit or pkg	Description
1	40X4464	1	2	Printhead with cable assembly
2	40X1865	1	1	Printhead cable assembly
3	40X4317	1	1	Charge roll link spring, right
4	40X1888	1	2	Transfer roll bracket assembly, right
5	40X1886	1	1	Transfer roll assembly with tool
6	40X1887	1	2	Transfer roll bracket with cable assembly, left
7	40X5852	1	1	Charge roll assembly with tool
8	40X4316	1	1	Charge roll link spring, left
9	40X1864	1	1	Print cartridge ID connector assembly
10	40X4364	1	1	Main cooling fan
11	40X4372	1	1	Sensor (standard bin exit) actuator assembly
12	40X4369	1	1	Sensor (standard bin exit)

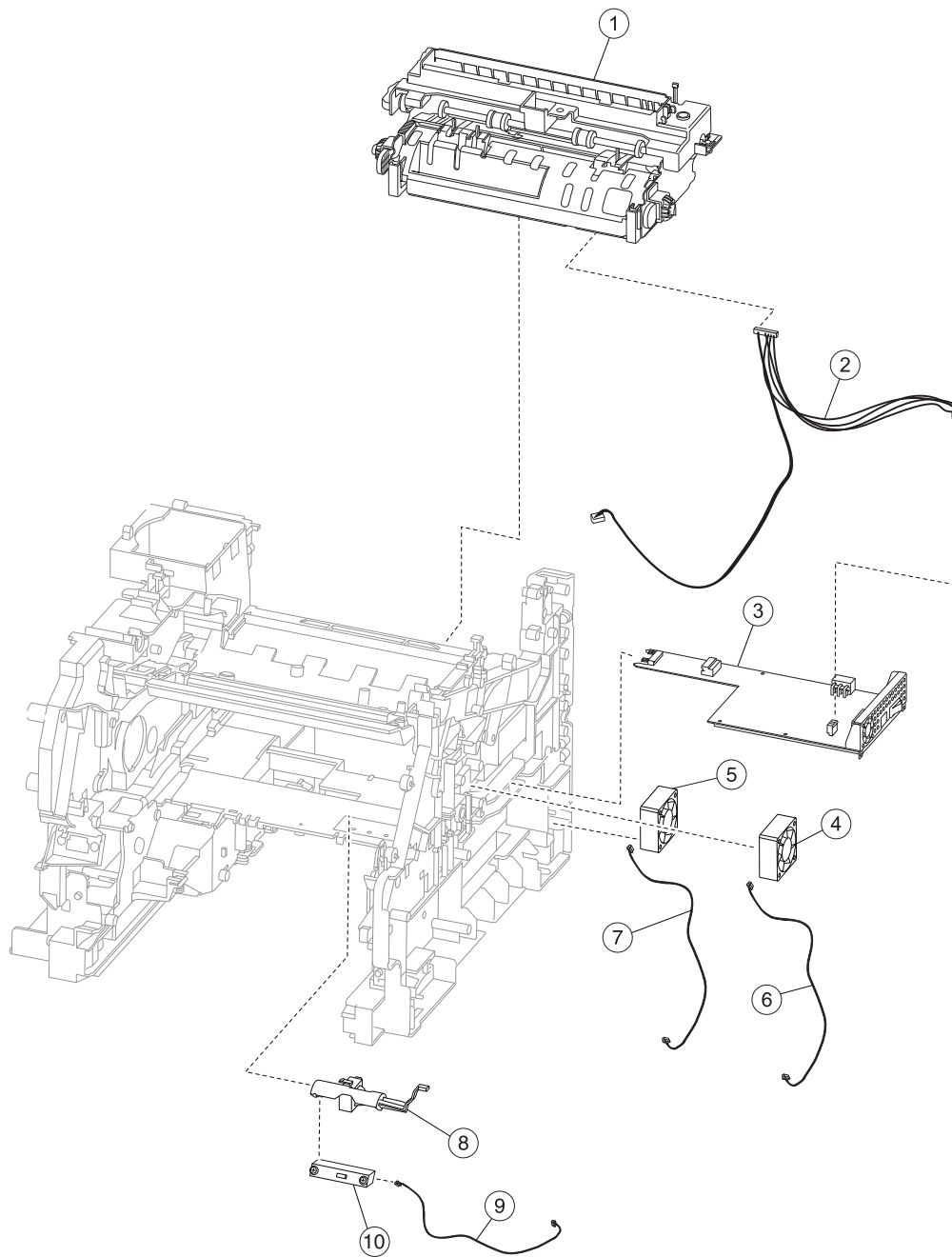
Assembly 8: System card, HVPS and scanner controller card assemblies



Assembly 8: System card, HVPS and scanner controller card assemblies

Asm-Index	Part number	Units/mach	Units/kit or pkg	Description
1	40X4383	1	1	Cleaning blade contact
2	40X4381	1	1	Drum grounding contact
3	40X4382	3	1	Print cartridge HV contact
4	40X4370	1	1	Sensor (toner empty)
5	40X4362	1	1	HVPS card assembly
6	40X4361	1	1	HVPS / sensor cable assembly
7	40X4368	1	1	Sensor (input)
8	40X2019	1	1	Envelope / input option cable assembly (X658)
8	40X5848	1	1	Envelope / input option cable assembly (X651, X652, X654, and X656)
9	40X4501	1	1	System card assembly
10	40X7035	1	1	Hard drive cooling fan
11	40X4493	2	1	Scanner controller card interface cable assembly
12	40X4822	1	1	Hard drive assembly with board
12	40X5057	1	1	Hard drive assembly with board (TTA)
13	40X4821	1	1	Fax modem assembly with board
14	40X4496	1	1	Scanner controller card power cable assembly
15	40X2074	1	1	Scanner controller card assembly (X651 and X652)
15	40X2075	1	1	Scanner controller card assembly (X654, X656, and X658)
16	40X4376	1	1	Output option interface cable assembly (X658)
17	40X4498	1	1	LVPS cooling fan cable assembly
<p>Warning: When replacing any of the following components:</p> <ul style="list-style-type: none"> • Scanner interface card assembly • System card assembly • Scanner unit assembly <p>Only replace one component at a time. replace the required component and perform a POR before replacing a second component listed above. If this procedure is not followed, the printer will be rendered inoperable. Never replace two or more of the components listed above without a POR after installing each one or the printer will be rendered inoperable.</p> <p>These components can be used as a method of troubleshooting as long as the machine is booted into diagnostic mode or is operating in diagnostic mode. Once a component has been installed in a machine and powered up into user mode, it cannot be used in another machine. It must be returned to the manufacturer.</p>				

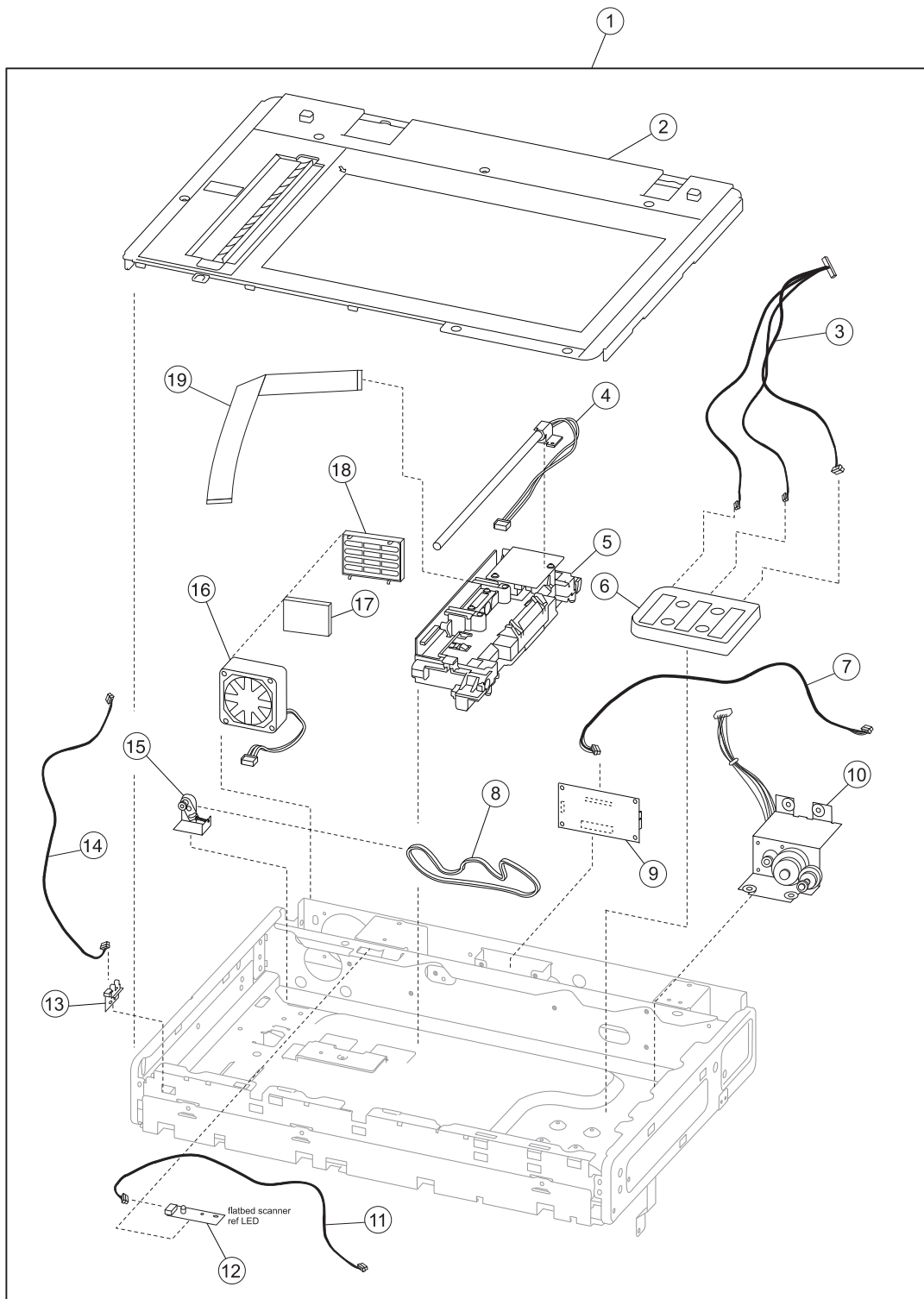
Assembly 9: Fuser and LVPS card assemblies



Assembly 9: Fuser and LVPS card assemblies

Asm-index	Part number	Units/option	Units/FRU	Description
1	40X1870	1	1	Fuser assembly 100V, type 1
1	40X4418	1	1	Fuser assembly 110V, type 1
1	40X1871	1	1	Fuser assembly 220V, type 1
1	40X5853	1	1	Fuser assembly 100V, type 2
1	40X5854	1	1	Fuser assembly 110V, type 2
1	40X5855	1	1	Fuser assembly 220V, type 2
2	40X4419	1	1	Fuser interface cable assembly
3	40X2062	1	1	LVPS card assembly (X651, X652, X654, and X656)
3	40X2072	1	1	LVPS card assembly (X658)
4	40X4359	1	1	Print cartridge cooling fan
5	40X4356	1	1	Duplex cooling fan
6	40X4360	1	1	Print cartridge cooling fan cable assembly
7	40X4357	1	1	Duplex cooling fan cable assembly
8	40X1866	1	1	Sensor shield assembly
9	40X4379	1	1	Toner density sensor cable assembly
10	40X4378	1	1	Sensor (toner density)

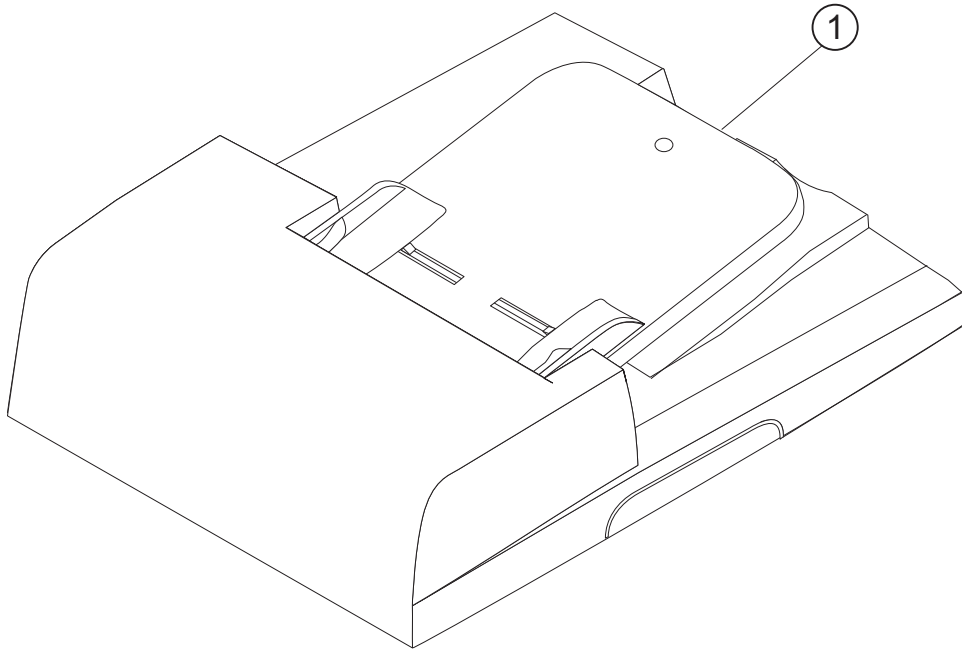
Assembly 10: Flatbed scanner



Assembly 10: Flatbed scanner

Asm-index	Part number	Units/option	Units/FRU	Description
1	40X2165	1	1	Scanner unit assembly (X651, X652, X654, and X656)
1	40X2166	1	1	Scanner unit assembly (X658)
2	40X2642	1	1	Scanner platen glass cover assembly
3	40X4530	1	1	Scanner FB length sensor cable assembly
4	40X4527	1	1	Scanner exposure lamp
5	40X4526	1	1	Scanner CCD assembly
6	40X4534	1	1	Sensor (platen glass length) assembly
7	40X2641'	1	1	Flatbed scanner interface card cable assembly
8	40X4523	1	1	Carriage belt
9	40X2171	1	1	Scanner interface card assembly
10	40X4521	1	1	Carriage drive motor assembly with cable
11	40X4528	1	1	Scanner reference LED cable assembly
12	40X4532	1	1	Scanner reference LED assembly
13	40X4524	1	1	Sensor (scanner HP) with bracket
14	40X4529	1	1	Scanner HP sensor cable assembly
15	40X4522	1	1	Carriage belt tensioner assembly
16	40X4535	1	1	Scanner cooling fan
17	40X4536	1	1	Scanner cooling fan filter
18	40X7204	1	1	Scanner filter cover
19	40X4531	1	1	Scanner CCD ribbon cable (X658)
19	40X2172	1	1	Scanner CCD ribbon cable (X652, X654, and X656)
<p>Warning: When replacing any of the following components:</p> <ul style="list-style-type: none"> • Scanner interface card assembly • System card assembly • Scanner unit assembly <p>Only replace one component at a time. replace the required component and perform a POR before replacing a second component listed above. If this procedure is not followed, the printer will be rendered inoperable. Never replace two or more of the components listed above without a POR after installing each one or the printer will be rendered inoperable.</p> <p>These components can be used as a method of troubleshooting as long as the machine is booted into diagnostic mode or is operating in diagnostic mode. Once a component has been installed in a machine and powered up into user mode, it cannot be used in another machine. It must be returned to the manufacturer.</p>				

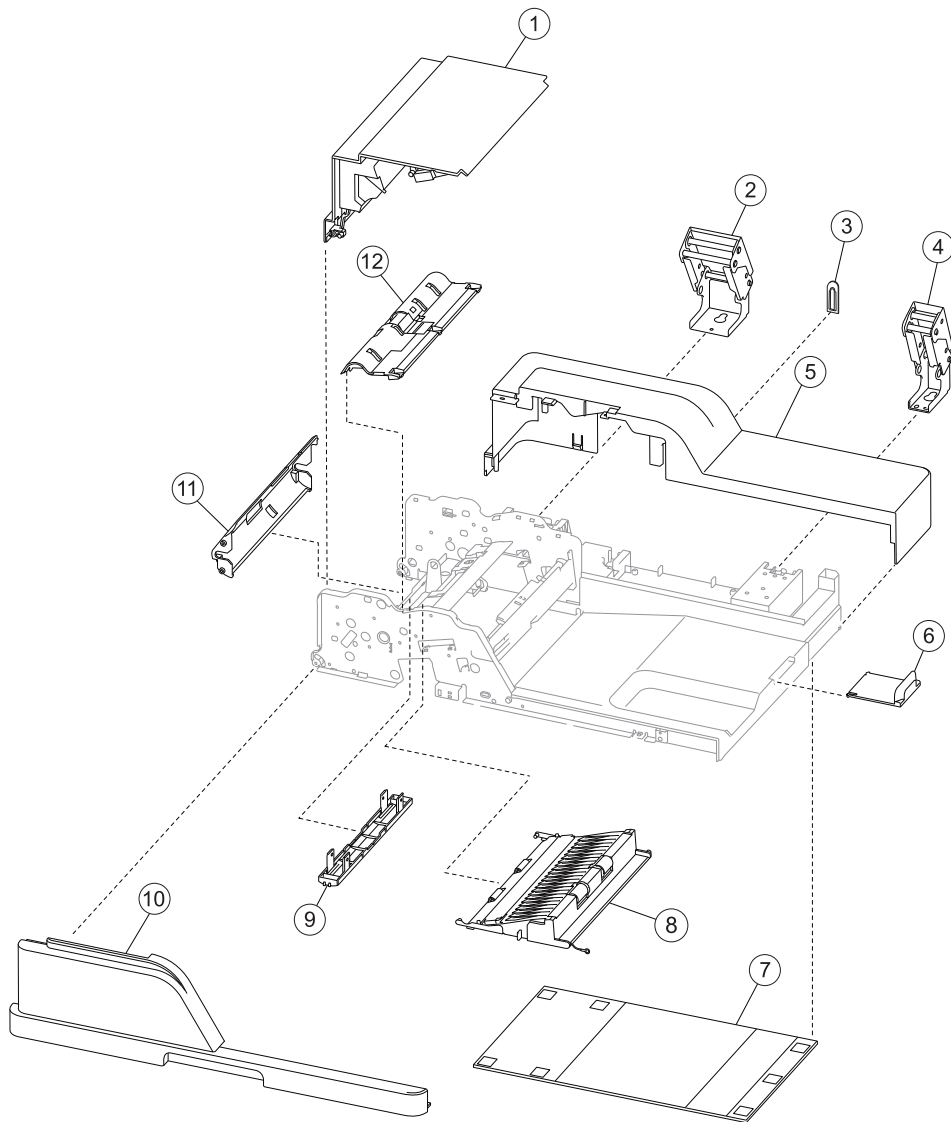
Assembly 11: ADF unit assembly



Assembly 11: ADF unit assembly

Asm-index	Part number	Units/option	Units/FRU	Description
1	40X2738	1	1	ADF unit assembly (X651 and X652)
1	40X2745	1	1	ADF unit assembly (X654, X656, and X658)

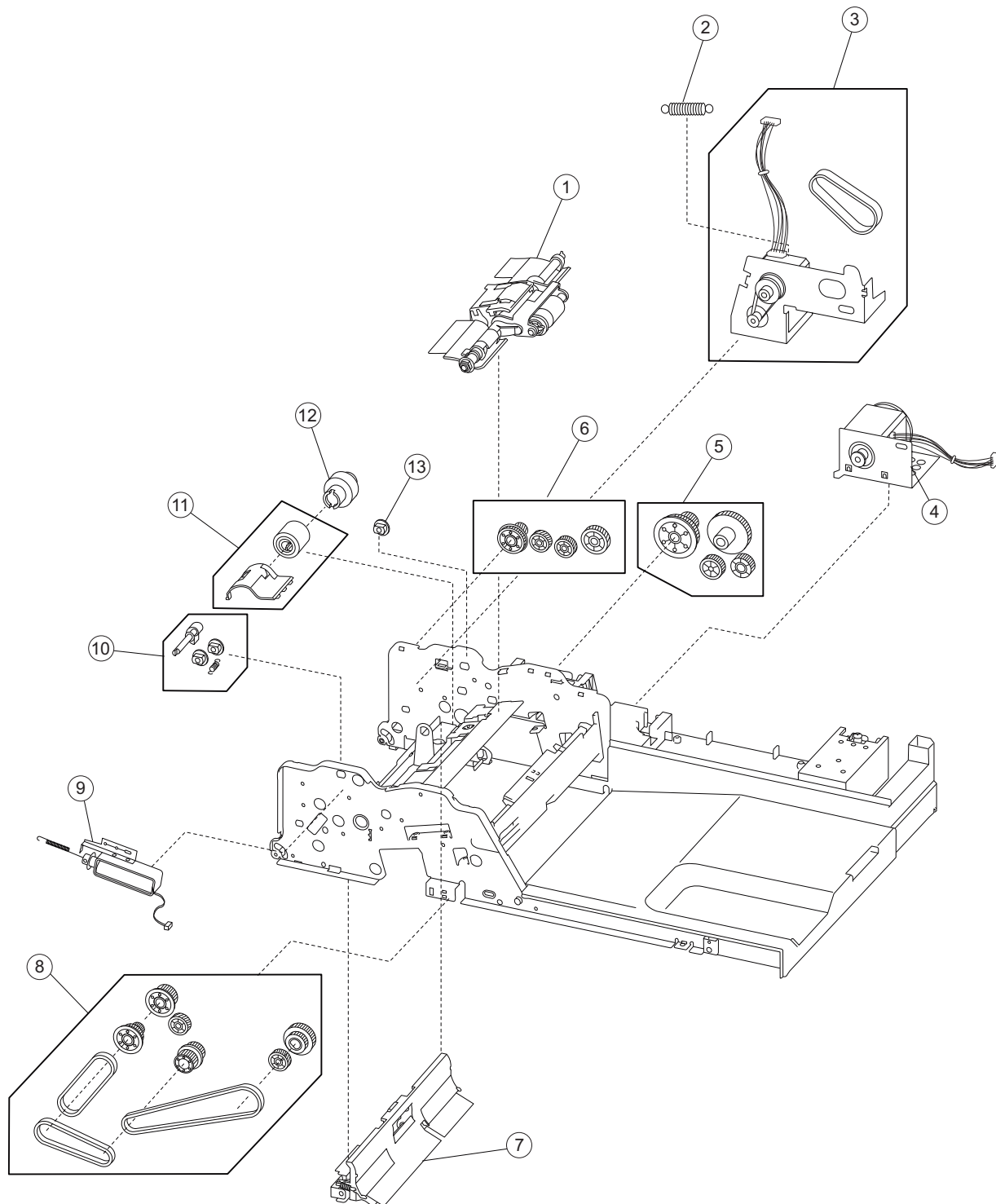
Assembly 12: ADF covers



Assembly 12: ADF covers

Asm-index	Part number	Units/option	Units/FRU	Description
1	40X4537	1	1	ADF top door assembly
2	40X3439	1	1	Left hinge assembly
3	40X2746	1	1	ADF cover cap, rear left (X651 and X652)
4	40X4563	1	1	Right hinge assembly
5	40X4539	1	1	ADF cover, rear
6	40X4564	1	1	Document tray extension
7	40X3444	1	1	ADF platen cushion
8	40X3392	1	1	ADF lower door assembly (X651 and X652)
8	40X3438	1	1	ADF lower door assembly (X654, X656, and X658)
9	40X3445	1	1	Media pinch pad assembly
10	40X4538	1	1	ADF cover, front
11	40X4566	1	1	ADF turn guide
12	40X4562	1	1	Pick pad cover assembly

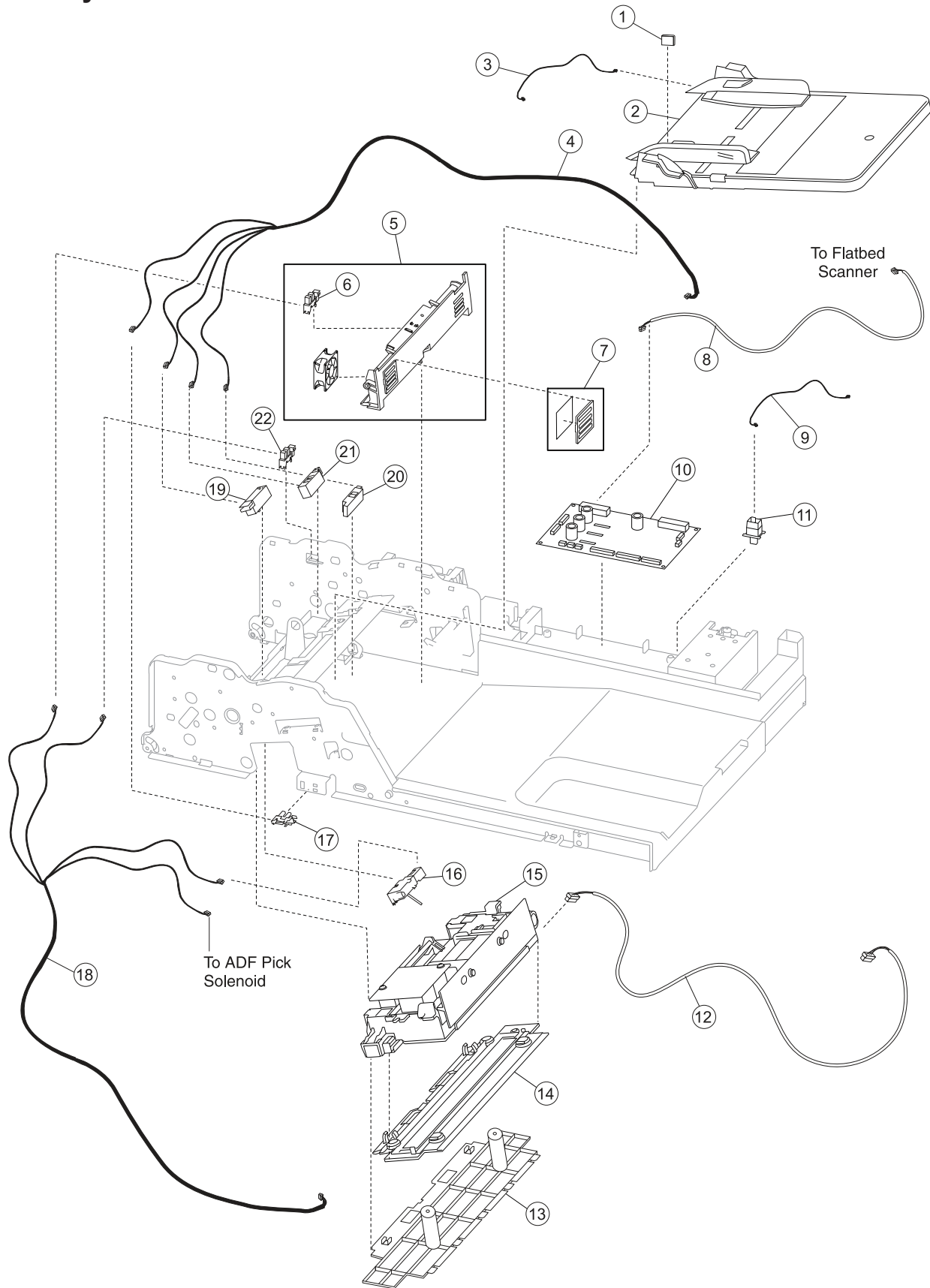
Assembly 13: ADF feed and drive



Assembly 13: ADF feed and drive

Asm-index	Part number	Units/ option	Units/ FRU	Description
1	40X4540	1	1	ADF feed / pick roll assembly
2	40X4545	1	1	Spring
3	40X7213	1	3	Feed motor assembly with belt and cable
4	40X4544	1	1	Transport motor bracket assembly with cable
5	40X2759	1	4	Transport drive gear and pulley kit, rear
6	40X2749	1	4	Feed one-way bearing and gear kit
7	40X4542	1	1	Pinch roll assembly
8	40X2760	1	9	Transport drive gear, pulley, and belt kit, front
9	40X4548	1	1	ADF solenoid assembly
10	40X2761	1	4	Pick roll position cam assembly
11	40X4605	1	2	ADF separator roll and guide
12	40X7214	1	1	Torque limiter
13	40X2750	1	1	Bushing 6 mm

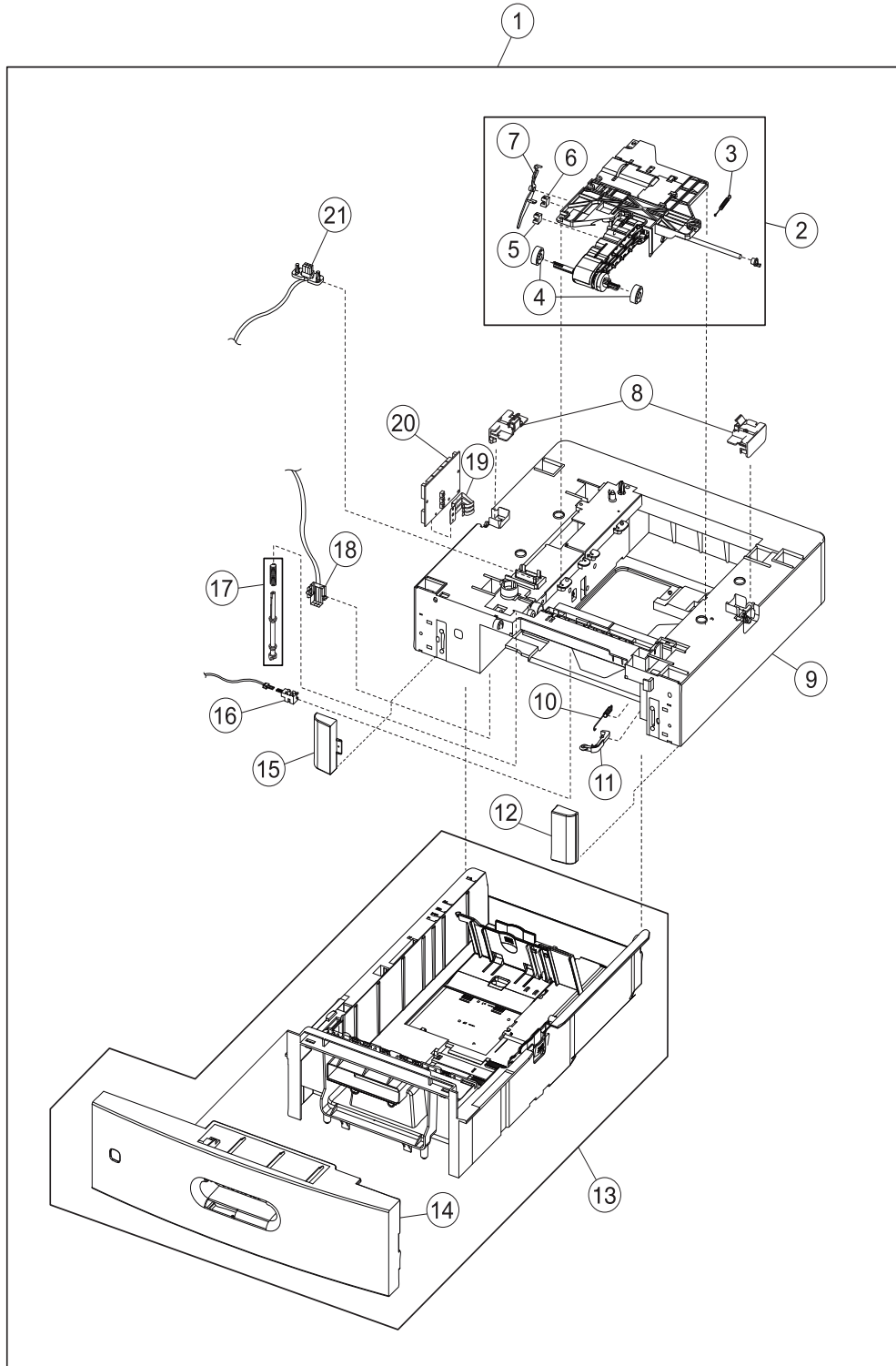
Assembly 14: ADF electronics



Assembly 14: ADF electronics

Asm-index	Part number	Units/option	Units/FRU	Description
1	40X6398	1	1	Spacer
2	40X4561	1	1	ADF document tray assembly
3	40X4559	1	1	ADF tray length cable assembly
4	40X4558	1	1	ADF sensor cable assembly 1
5	40X4606	1	1	Sensor (ADF media exit) bracket assembly (X651 and X652)
5	40X4607	1	1	Sensor (ADF media exit) bracket assembly with fan (X654, X656, and X658)
6	40X4549	1	1	Sensor (ADF media exit)
7	40X4608	1	1	ADF filter and cover (X654, X656, and X658)
8	40X4556	1	1	ADF interface cable assembly
9	40X4557	1	1	ADF closed interlock switch cable assembly
10	40X3142	1	1	ADF controller card assembly
11	40X4554	1	1	Switch (ADF closed interlock)
12	40X4555	1	1	Duplex CCD interface cable assembly (X654, X656, and X658)
13	40X3272	1	1	ADF duplex deletion insert (X651 and X652)
14	40X4565	1	1	ADF duplex CCD scan glass assembly (X654, X656, and X658)
15	40X4547	1	1	ADF duplex CCD assembly (X654, X656, and X658)
16	40X2762	1	1	Sensor (ADF 2nd scan)
17	40X4549	1	1	Sensor (ADF lower door interlock)
18	40X4560	1	1	ADF sensor cable assembly 2
19	40X4550	1	1	Sensor (ADF 1st scan)
20	40X4551	1	1	Sensor (ADF document set)
21	40X4550	1	1	Sensor (ADF sheet through)
22	40X4549	1	1	Sensor (ADF top door interlock)

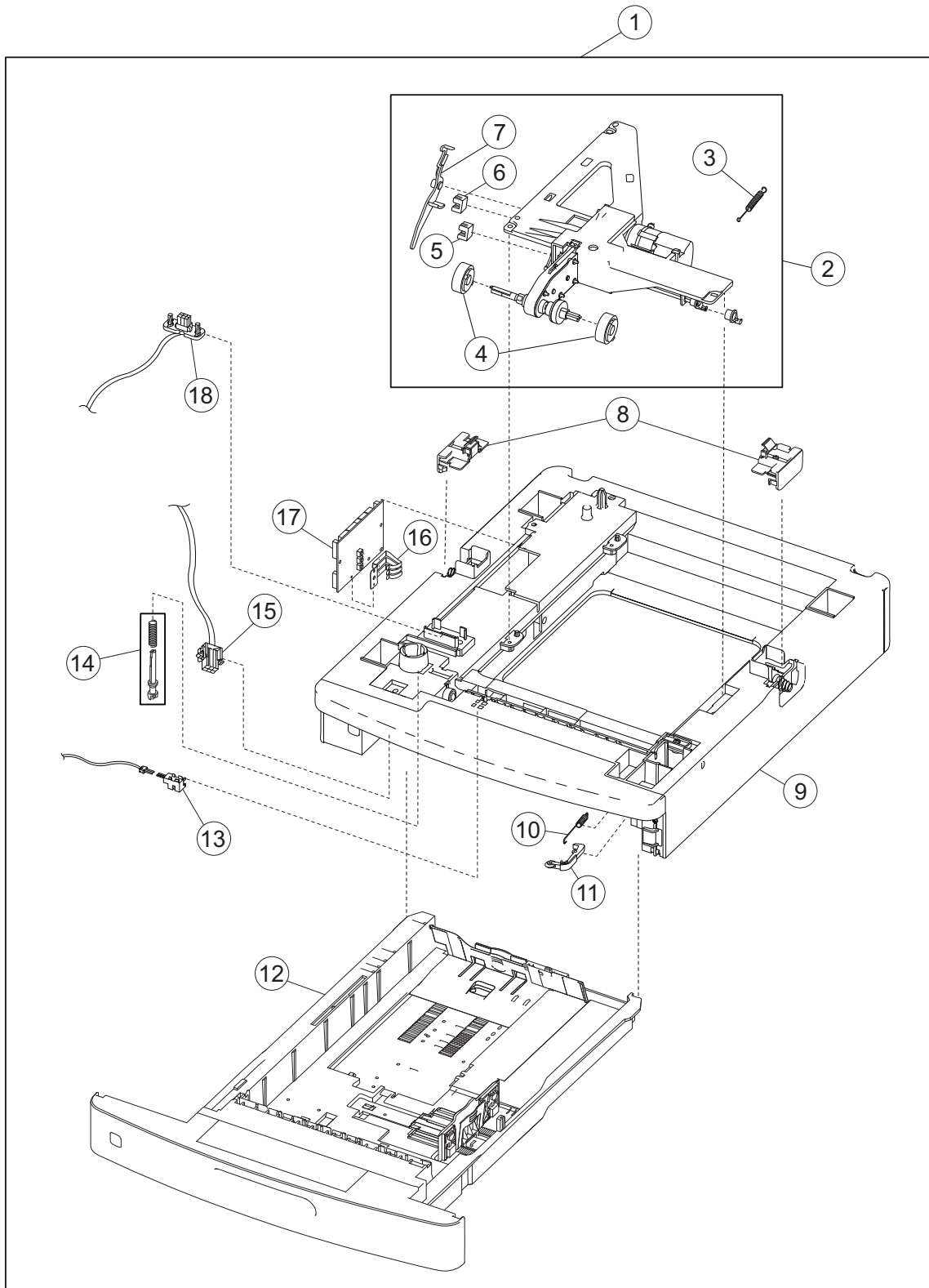
Assembly 15: 550 Sheet option tray assembly (X658)



Assembly 15: 550 Sheet option tray assembly (X658)

Asm-Index	Part number	Units/mach	Units/kit or pkg	Description
1	40X3967	1	1	Complete 550 sheet option tray assembly (X658)
2	40X3454	1	1	550 Sheet pick arm bracket assembly
3	40X4307	1	1	550 Sheet bellcrank recoil spring
4	40X4308	1	2	Pick roll assembly (2)
5	40X4369	1	1	Sensor (media low)
6	40X4369	1	1	Sensor (media empty)
7	40X4310	1	1	550 Sheet media out actuator
8	40X4570	2	2	Anti-tip latch assembly
9	40X5843	1	1	550 Sheet option drawer assembly
10	40X3822	1	1	Media tray catch spring
11	40X4395	1	1	Media tray roller catch assembly
12	40X1976	1	1	550 Sheet tray right cover
13	40X2164	1	1	Media tray assembly, 550 sheet
14	40X4130	1	1	Cover, 550 sheet tray front
15	40X1975	1	1	550 Sheet tray left cover
16	40X4575	1	1	Sensor (pass through) with cable
17	40X4473	1	2	550 Option drive shaft with spring
18	40X4572	1	1	Lower interface cable assembly
19	40X3854	1	1	Media size actuator
20	40X4578	1	1	550 Sheet tray controller card assembly
21	40X4571	1	1	Upper interface cable assembly

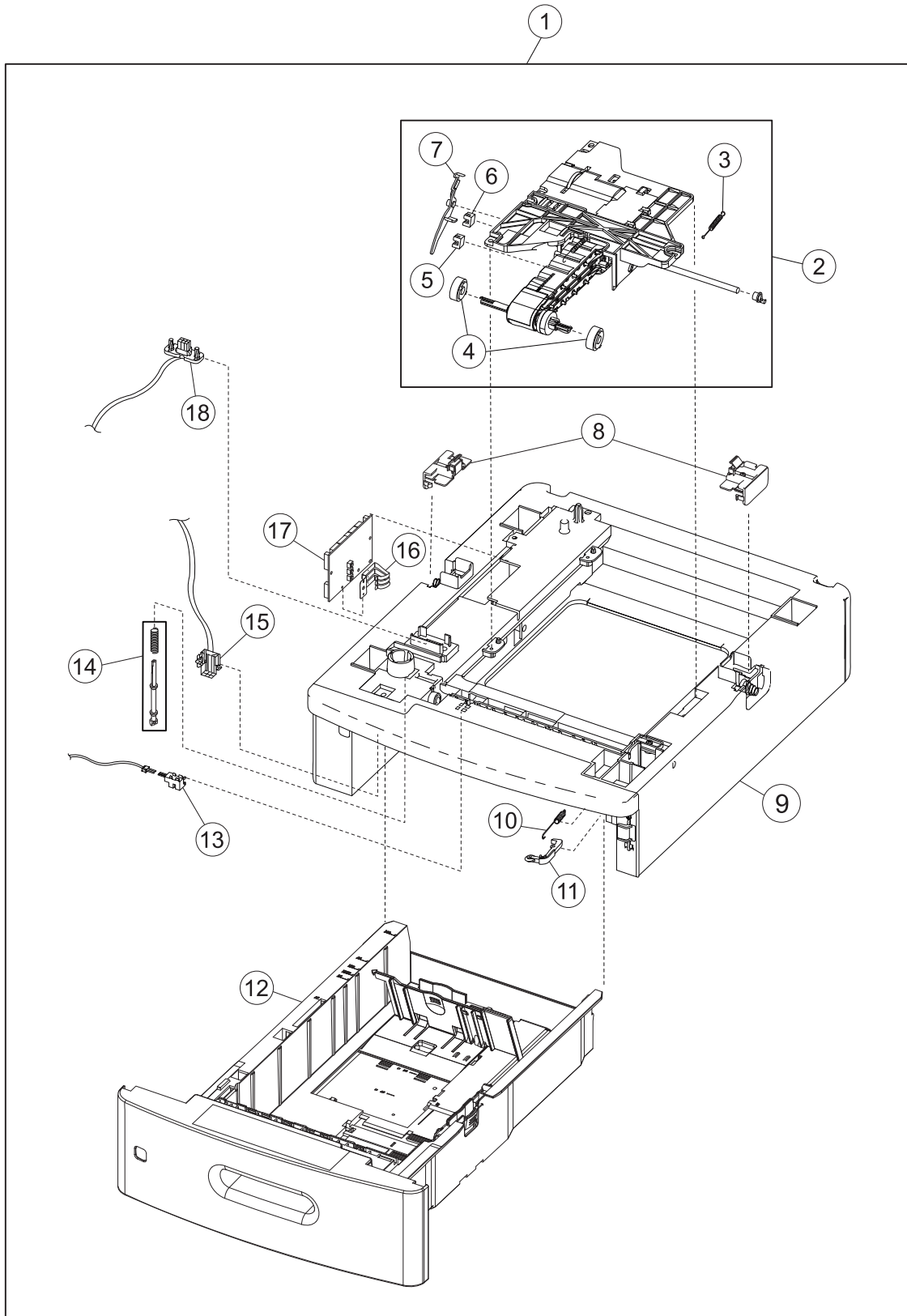
Assembly 16: 250 Sheet option tray assembly (X651, X652/5535dn, X654, and X656)



Assembly 16: 250 Sheet option tray assembly (X651, X652/5535dn, X654, and X656)

Asm-Index	Part number	Units/mach	Units/kit or pkg	Description
1	40X4569	1	1	Complete 250 sheet option tray assembly
2	40X3447	1	1	250 Sheet pick arm bracket assembly
3	40X3448	1	1	250 Sheet bellcrank recoil spring
4	40X4308	2	1	Pick roll assembly (2)
5	40X4369	1	1	Sensor (media low)
6	40X4369	1	1	Sensor (media empty)
7	40X4309	1	1	250 Sheet media out actuator (X651 and X652)
8	40X4570	1	1	Anti-tip latch assembly
9	40X3453	1	1	250 Sheet option drawer assembly
10	40X3822	1	1	Media tray catch spring
11	40X4395	1	1	Media tray roller catch assembly
12	40X6391	1	1	Media tray assembly, 250 sheet
13	40X4575	1	1	Sensor (pass through) with cable
14	40X1863	1	1	250 Option drive shaft with spring
15	40X4572	1	1	Lower interface cable assembly
16	40X3854	1	1	Media size actuator
17	40X4574	1	1	250 Sheet controller card assembly
18	40X4571	1	1	Upper interface cable assembly

Assembly 17: 550 Sheet option tray assembly (X651, X652/5535dn, X654, and X656)



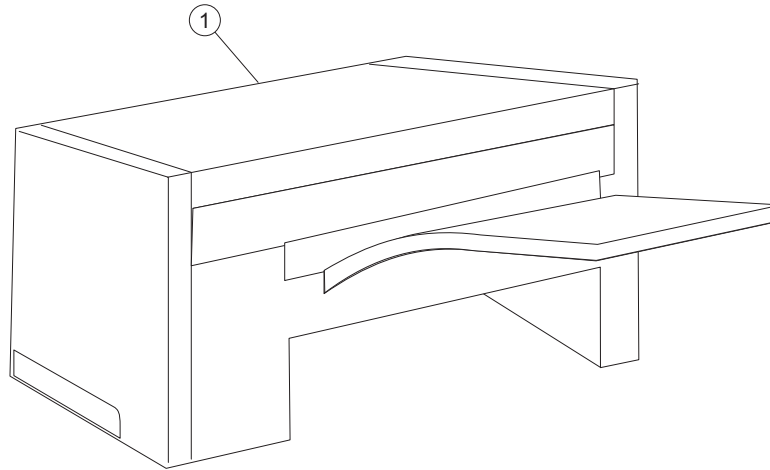
Assembly 17: 550 Sheet option tray assembly (X651, X652/5535dn, X654, and X656)

Asm-Index	Part number	Units/mach	Units/kit or pkg	Description
1	40X4576	1	1	Complete 550 sheet option tray assembly
2	40X3454	1	1	550 Sheet pick arm bracket assembly
3	40X4307	1	1	550 Sheet bellcrank recoil spring
4	40X4308	1	2	Pick roll assembly (2)
5	40X4369	1	1	Sensor (media low)
6	40X4369	1	1	Sensor (media empty)
7	40X4310	1	1	550 Sheet media out actuator
8	40X4570	2	2	Anti-tip latch assembly
9	40X3957	1	1	550 Sheet option drawer assembly
10	40X3822	1	1	Media tray catch spring
11	40X4395	1	1	Media tray roller catch assembly
12	40X4469	1	1	Media tray assembly, 550 sheet
13	40X4575	1	1	Sensor (pass through) with cable
14	40X4473	1	1	550 Option drive shaft with spring
15	40X4572	1	1	Lower interface cable assembly
16	40X3854	1	1	Media size actuator
17	40X4578	1	1	550 Sheet controller card assembly
18	40X4571	1	1	Upper interface cable assembly

Assembly 18: HCIT Sheet option tray assembly (X651, X652/5535dn, X654, and X656)

Asm-Index	Part number	Units/mach	Units/kit or pkg	Description
1	40X4579	1	1	Complete HCIT option tray assembly
2	40X4590	1	2	HCIT pick arm bracket assembly
3	40X4595	1	1	Pick arm sensor cable assembly
4	40X4591	1	1	HCIT bellcrank recoil spring
5	40X4308	2	2	Pick roll assembly (2)
6	40X4369	2	1	Sensor (media low)
7	40X4310	1	1	550 Sheet media out actuator
8	40X4369	2	1	Sensor (media empty)
9	40X4581	1	1	HCIT cover, rear
10	40X4570	1	1	Anti-tip latch assembly
11	40X4588	1	1	Sensor (HCIT tray raised HP) with cable assembly
12	40X4582	1	1	HCIT cover, right
13	40X4586	1	1	HCIT tray lift drive motor assembly
14	40X4585	1	2	HCIT tray closed latch with spring
15	40X4593	2	1	HCIT drawer slide assembly
16	40X4580	1	2	HCIT media tray assembly
17	40X4584	1	1	HCIT tray cover, front
18	40X4589	1	2	Sensor (HCIT pass through) with cable
19	40X4594	1	1	HCIT interface cable assembly
20	40X4592	1	1	HCIT controller card assembly
21	40X4587	1	4	HCIT media size actuator assembly
22	40X4583	1	1	HCIT cover, left

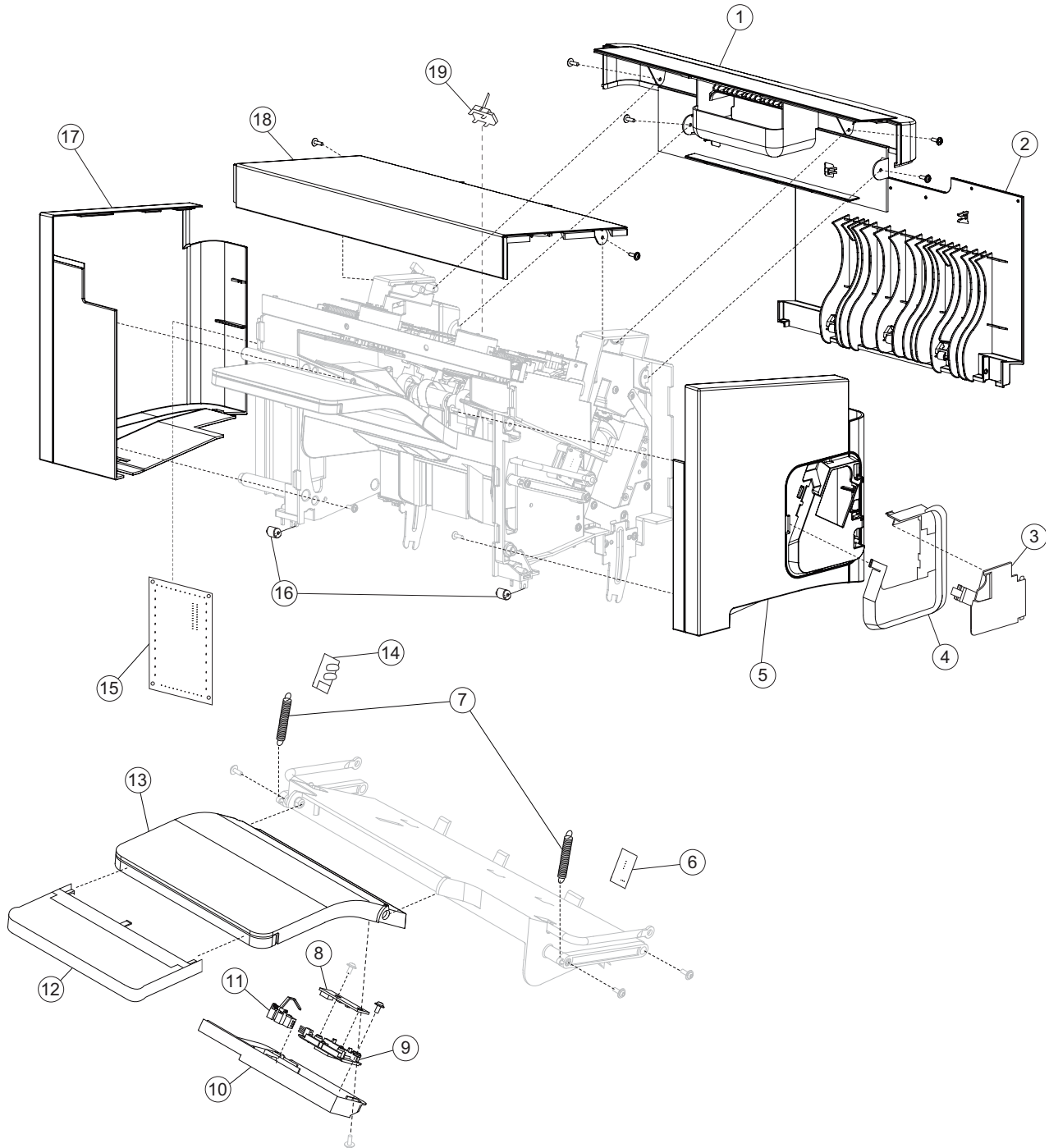
Assembly 19: MFP stapler assembly



Assembly 19: MFP stapler assembly #1

Asm-Index	Part number	Units/mach	Units/kit or pkg	Description
1	40X7026	1	1	MFP stapler assembly (comes completely assembled)

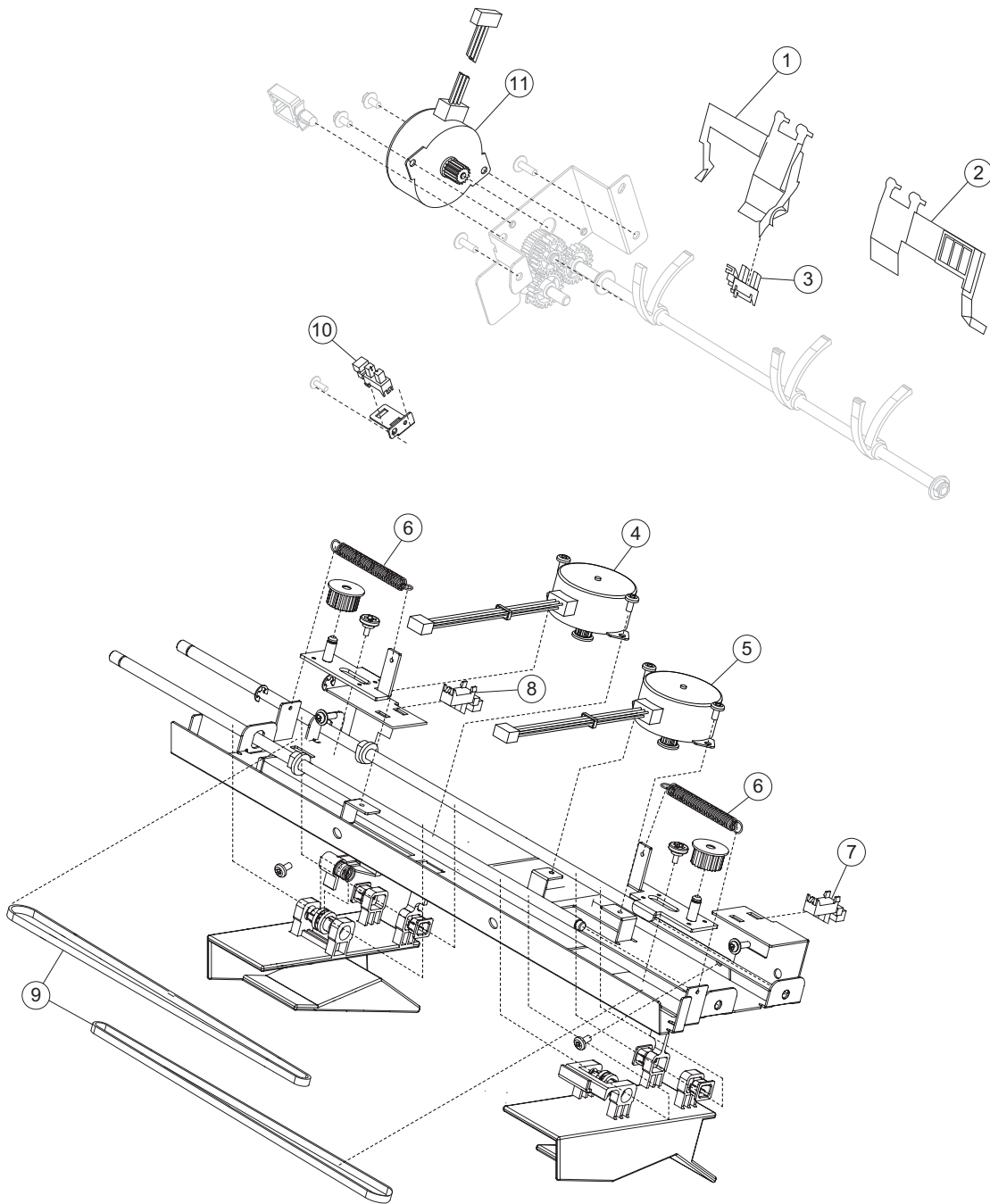
Assembly 20: MFP stapler assembly #2



Assembly 20: MFP stapler assembly #2

Asm-Index	Part number	Units/mach	Units/kit or pkg	Description
1	40X4612	1	1	Handle cover
2	40X4613	1	1	Rear door assembly
3	40X4730	1	1	Stapler cover
4	40X4764	1	1	Hollow cover
5	40X4610	1	1	Right cover
6	40X5544	1	1	Sensor (bin full receive)
7	40X4617	1	2	Finisher bin spring
8	40X5545	1	1	Standard output bin LED
9	40X5727	1	1	LED clear lens
10	40X5720	1	1	LED sensor cover
11	40X4618	1	1	Sensor (finisher bin media present)
12	40X4619	1	1	Media output bin extension
13	40X5541	1	1	Media output bin
14	40X4626	1	1	Sensor (bin full send)
15	40X4625	1	1	Stapler/stacker controller card assembly
16	40X5751	1	1	Attach roller
17	40X4609	1	1	Left cover
18	40X4611	1	1	Top cover
19	40X5906	1	1	Sensor (stapler/stacker pass through)

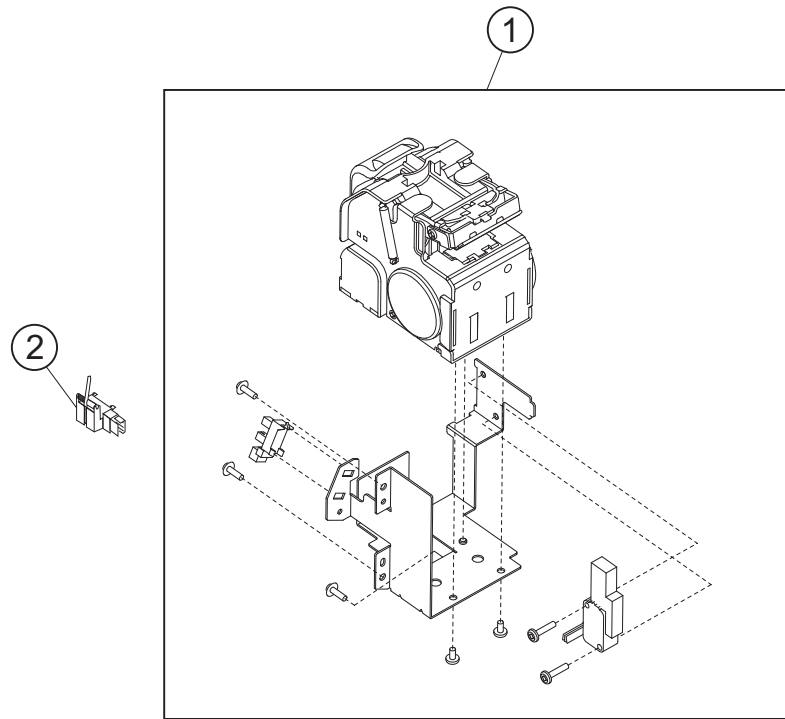
Assembly 21: MFP stapler assembly #3



Assembly 21: MFP stapler assembly #3

Asm-Index	Part number	Units/mach	Units/kit or pkg	Description
1	40X4645	1	1	Media stack flap actuator
2	40X4646	1	1	Media stack flap
3	40X4369	1	1	Sensor (media stack)
4	40X4621	1	1	Left tamper motor assembly
5	40X4622	1	1	Right tamper motor assembly
6	40X4624	1	2	Tamper recoil spring
7	40X4369	1	1	Sensor (tamper HP right)
8	40X4369	1	1	Sensor (tamper HP left)
9	40X4623	1	1	Tamper drive belt
10	40X4369	1	1	Sensor (paddle HP)
11	40X4615	1	1	Paddle drive motor

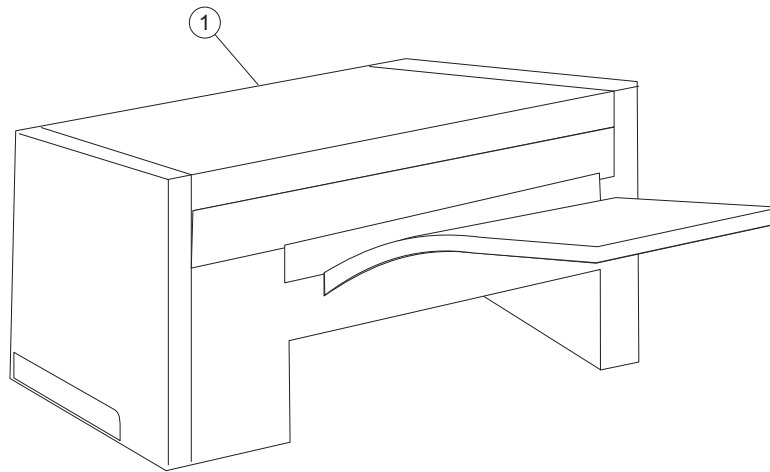
Assembly 22: MFP stapler assembly #4



Assembly 22: MFP stapler assembly #4

Asm-Index	Part number	Units/mach	Units/kit or pkg	Description
1	40X4641	1	1	Stapler assembly
2	40X5909	1	1	Sensor (media in stapler)

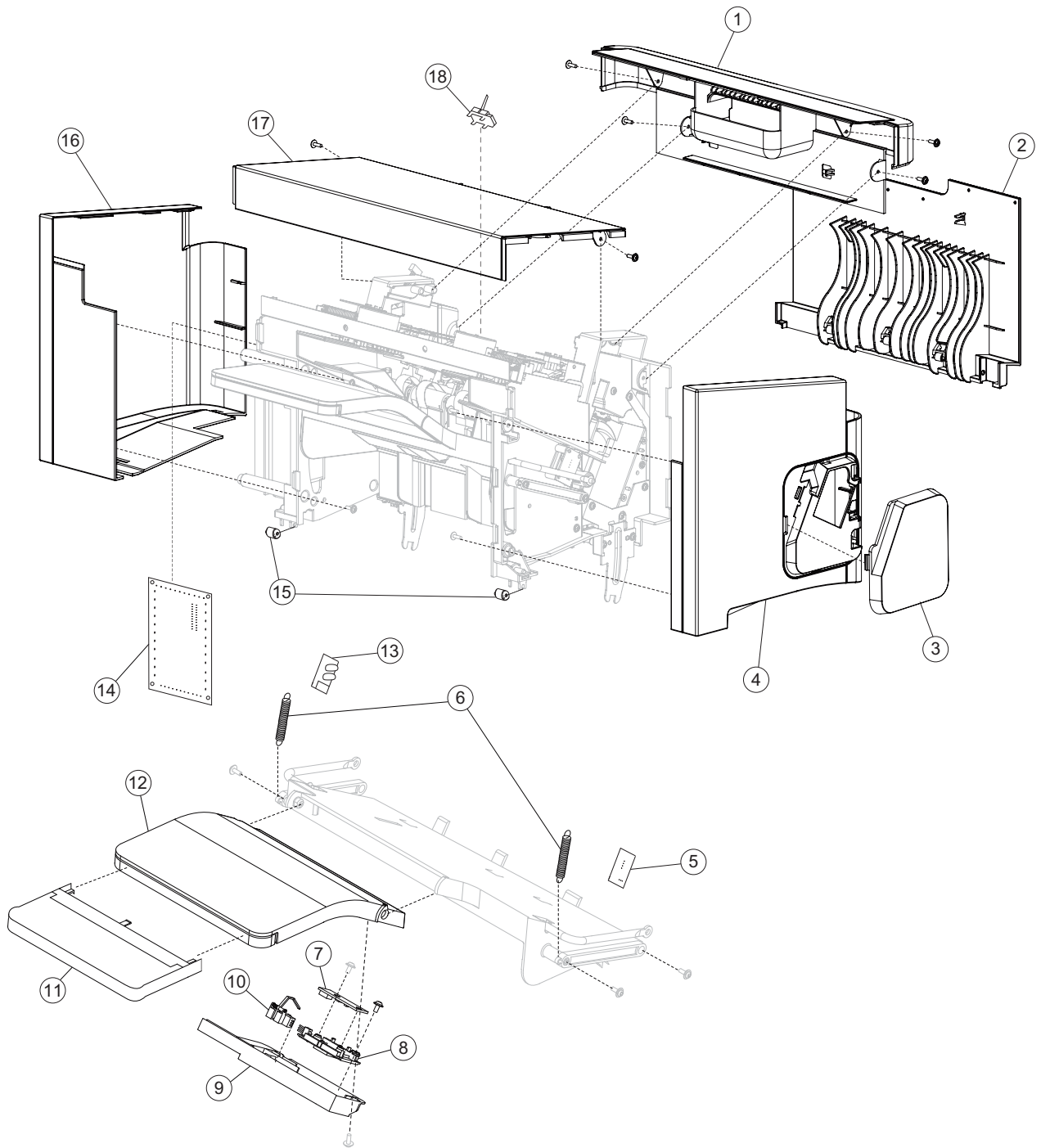
Assembly 23: MFP offset stacker assembly #1



Assembly 23: MFP offset stacker assembly #1

Asm-Index	Part number	Units/mach	Units/kit or pkg	Description
1	40X7025	1	1	MFP offset stacker assembly (comes completely assembled)

Assembly 24: MFP Offset stacker #2



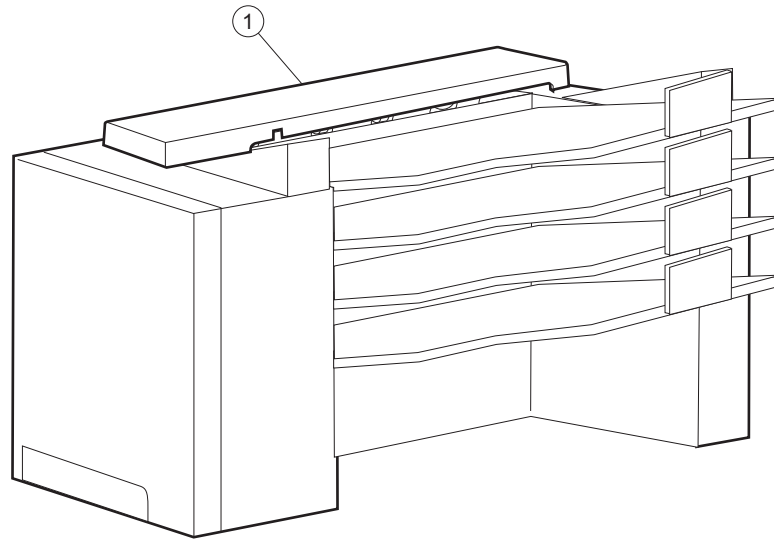
Assembly 24: MFP Offset stacker #2

Asm-Index	Part number	Units/mach	Units/kit or pkg	Description
1	40X4612	1	1	Handle cover
2	40X4613	1	1	Rear door assembly
3	40X4730	1	1	Stapler cover
4	40X4610	1	1	Right cover
5	40X5544	1	1	Sensor (bin full receive)
6	40X4617	1	2	Finisher bin spring
7	40X5545	1	1	Standard output bin LED
8	40X5727	1	1	LED clear lens
9	40X5720	1	1	LED sensor cover
10	40X4618	1	1	Sensor (finisher bin media present)
11	40X4619	1	1	Media output bin extension
12	40X5541	1	1	Media output bin
13	40X4626	1	1	Sensor (bin full send)
14	40X4625	1	1	Stapler/stacker controller card assembly
15	40X5751	1	1	Attach roller
16	40X4609	1	1	Left cover
17	40X4611	1	1	Top cover
18	40X5906	1	1	Sensor (stapler/stacker pass through)

Assembly 25: MFP Offset stacker #3

Asm-Index	Part number	Units/mach	Units/kit or pkg	Description
1	40X4645	1	1	Media stack flap actuator
2	40X4646	1	1	Media stack flap
3	40X4369	1	1	Sensor (media stack)
4	40X4621	1	1	Left tamper motor assembly
5	40X4622	1	1	Right tamper motor assembly
6	40X4624	1	2	Tamper recoil spring
7	40X4369	1	1	Sensor (tamper HP right)
8	40X4369	1	1	Sensor (tamper HP left)
9	40X4623	1	1	Tamper drive belt
10	40X4369	1	1	Sensor (paddle HP)
11	40X4615	1	1	Paddle drive motor

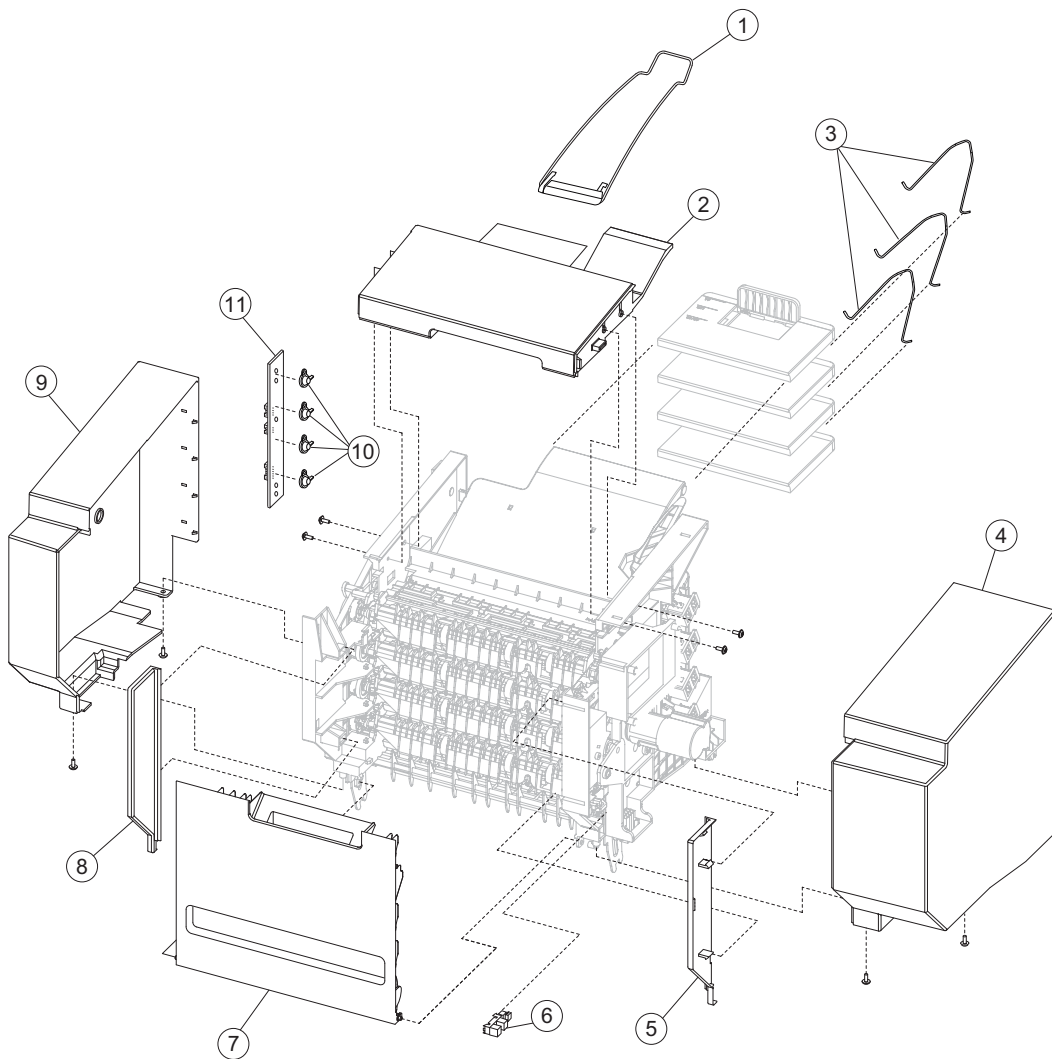
Assembly 26: MFP 4-bin mailbox assembly #1



Assembly 26: MFP 4-bin mailbox assembly #1

Asm-Index	Part number	Units/mach	Units/kit or pkg	Description
1	40X7024	1	1	MFP 4 bin mailbox assembly (comes completely assembled)

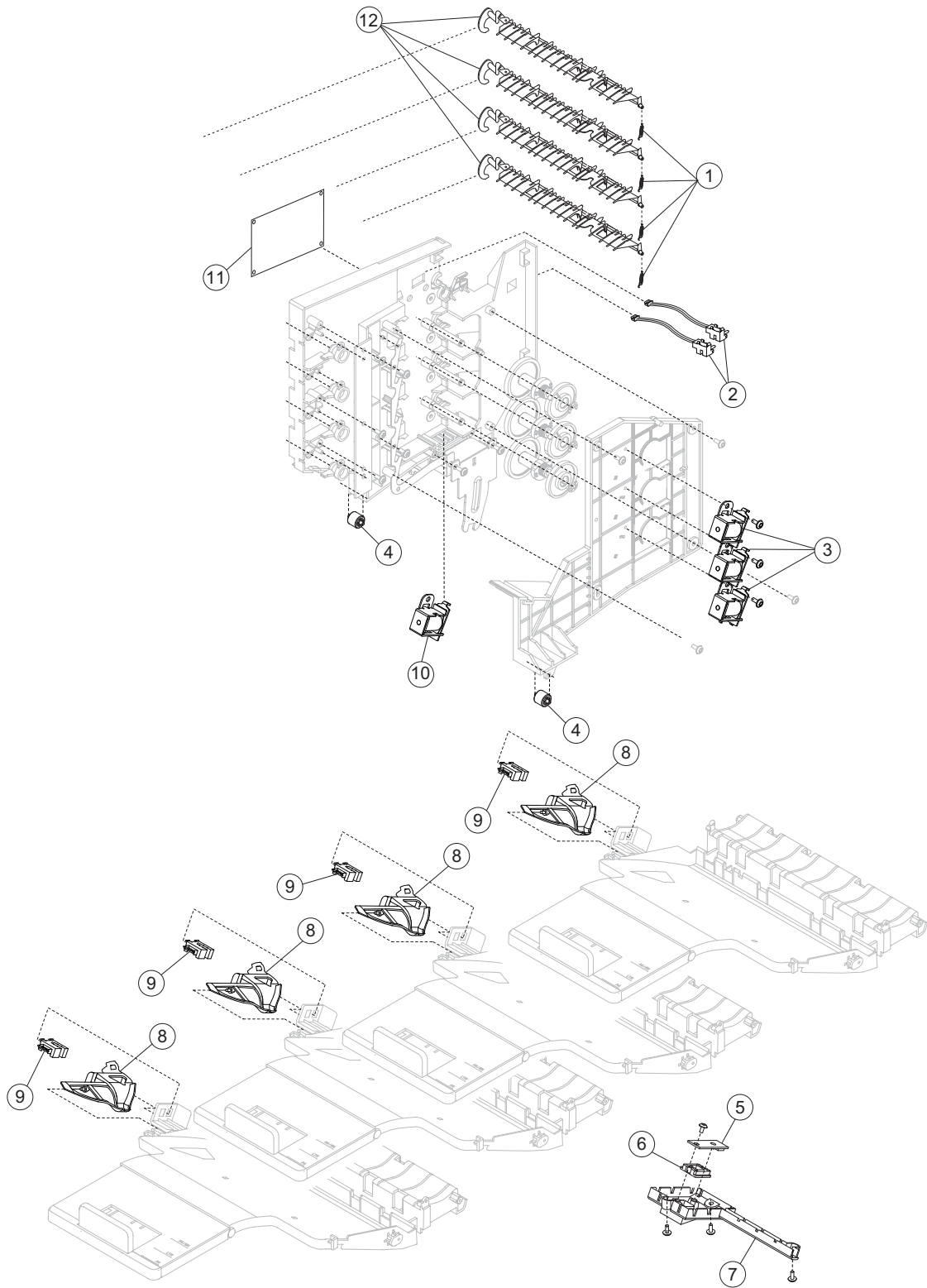
Assembly 27: MFP 4-bin mailbox assembly #2



Assembly 27: MFP 4-bin mailbox assembly #2

Asm-Index	Part number	Units/mach	Units/kit or pkg	Description
1	40X4644	1	1	Top media bin bail
2	40X4642	1	1	Top cover
3	40X4135	3	1	1st - 3rd media bail
4	40X4640	1	1	Left cover
5	40X4638	1	1	Left rear inner cover
6	40X4369	1	1	Sensor (deflector gate HP)
7	40X4632	1	1	Rear door assembly
8	40X4637	1	1	Right rear inner cover
9	40X4639	1	1	Right cover
10	40X4636	1	1	LED card assembly
11	40X4139	4	1	Media output bin light pipe

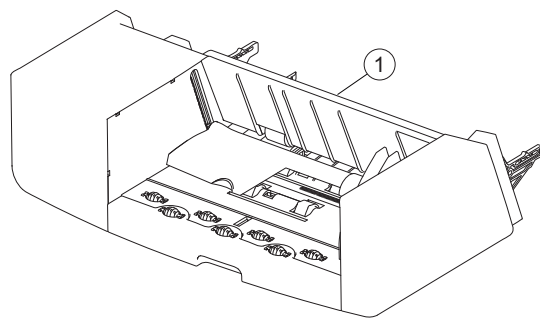
Assembly 28: MFP 4-bin mailbox assembly #3



Assembly 28: MFP 4-bin mailbox assembly #3

Asm-Index	Part number	Units/mach	Units/kit or pkg	Description
1	40X5750	4	1	Spring
2	40X5728	2	1	Sensor (pass through)
3	40X4635	3	1	Deflector gate solenoid
4	40X5751	1	1	Attach roller
5	40X5545	1	1	Standard output bin LED
6	40X5727	1	1	LED clear lens
7	40X4647	1	1	Output bin LED bracket
8	40X4136	4	1	Media bin full actuator
9	40X4633	4	1	Sensor (media bin full)
10	40X4643	1	1	Transport solenoid
11	40X4634	1	1	4 bin mailbox controller card assembly
12	40X4138	4	1	Media bin deflector

Assembly 29: Envelope feeder



Assembly 29: Envelope feeder

Asm-Index	Part number	Units/mach	Units/kit or pkg	Description
1	40X5739	1	1	Envelope feeder (X658 only)

Assembly 30: Miscellaneous

Asm-Index	Part number	Units/mach	Units/kit or pkg	Description
NS	7372935	1	1	Relocation kit (X651, X652, and X654)
NS	7377730	1	1	Relocation kit (X658)
NS	40X4723	1	1	Printer maintenance kit (100 V type 1 fuser)
NS	40X4724	1	1	Printer maintenance kit (110 V type 1 fuser)
NS	40X4765	1	1	Printer maintenance kit (220 V type 1 fuser)
NS	40X4766	1	1	Printer maintenance kit (100 V type 2 fuser)
NS	40X4767	1	1	Printer maintenance kit (110 V type 2 fuser)
NS	40X4768	1	1	Printer maintenance kit (220 V type 2 fuser)
NS	40X4769	1	1	ADF maintenance kit
NS	40X5301	1	1	256 MB SO-DIMM
NS	40X5302	1	1	512MB SO-DIMM
NS	40X5303	1	1	1GB (1024MB) SO-DIMM
NS	40X5704	1	1	256MB user flash memory card
NS	40X5057	1	1	TAA hard drive assembly with connector
NS	40X5952	1	1	LXK PrintCryption card
NS	40X5969	1	1	Korean font card
NS	40X5970	1	1	Simplified Chinese font card
NS	40X5971	1	1	Traditional Chinese font card
NS	40X5972	1	1	Japanese font card
NS	40X5953	1	1	Bar code/forms card
NS	40X5958	1	1	IPDS card (available w/EMEA, AP, LAD)
NS	40X6200	1	1	Forms card with P269UBC code for UBOC
NS	40X1556	1	1	Parts pack, ISP thumbscrew and standoff
NS	40X5316	1	1	ISP interface cable assembly
NS	40X4826	1	1	MarkNet N8120 gigabit ethernet print server
NS	40X4827	1	1	MarkNet N8130 fiber ethernet print server
NS	40X5038	1	1	MarkNet N8150 802.11n wireless print server (US/Americas)
NS	40X5039	1	1	MarkNet N8150 802.11n wireless print server (WW, except US/Americas)
NS	56P2129	1	1	LXK N4000e print server
NS	56P2744	1	1	LXK N4050e (1 port USB) wireless 802.11g (US/Americas)
NS	40X1593	1	1	LXK MarkNet N7002e (1 port parallel) ethernet 10baseT/100BaseTX
NS	40X1594	1	1	LXK MarkNet N7002e (1 port parallel) ethernet 10base T/100Base TX
NS	40X1592	1	1	LXK MarkNet N7020e (4 port USB) ethernet 10base T/100Base TX/1000BaseT
NS	40X4819	1	1	RS-232C serial interface card
NS	40X4823	1	1	Parallel 1284-B interface card
NS	40X1367	1	1	10-Foot parallel printer cable
NS	40X1368	1	1	2-Meter USB printer cable
NS	40X4821	1	1	MarkNet N8110-v.34 fax card
NS	40X5606	1	1	Fax interface card assembly
NS	40X2665	1	1	Fuser oil wiper (black housing)
NS	40X2666	1	1	Fuser wax wiper (gray housing)

Assembly 30 (continued): Miscellaneous

Asm-Index	Part number	Units/mach	Units/kit or pkg	Description
NS	40X1462	1	1	Locking universal media drawer with tray, 200 sheet (excluding X658)
NS	40X1463	1	1	Locking media drawer with tray, 550 sheet (excluding X658)
NS	40X1464	1	1	Locking universal media drawer with tray, 400 sheet (excluding X658)

Assembly 31: Power cords

Asm-Index	Part number	Units/mach	Units/kit or pkg	Description
NS	40X0269	1	1	Power cord LV, USA & Canada, Latin America
NS	40X0288	1	1	Power cord HV, Argentina
NS	40X0273	1	1	Power cord HV, Chile, Uruguay
NS	40X3141	1	1	Power cord HV, Paraguay, Austria, Belgium, France, Germany, Italy, Netherlands, Bluemark, Czech & Solvic countries, Greece, Hungary, Medmark 1, Medmark 2, Arabic, Poland, Russia, CIS, Spain, Portugal, & Ireland
NS	40X4596	1	1	Power cord LV, Brazil PPB kits
NS	40X0271	1	1	Power cord HV, Asian, Brunei, Cambodia, Indonesia, Laos, Malaysia, Myanmar, Philippines, Singapore, Thailand, Vietnam, Afghanistan, Bangladesh, Bhutan, India, Nepal, Pakistan, Sri Lanka, Tibet, & Hong Kong
NS	40X0301	1	1	Power cord HV, Australia & New Zealand
NS	40X3609	1	1	Power cord 100 V, Japan
NS	40X1792	1	1	Power cord, HV, Korea
NS	40X0303	1	1	Power cord, HV PRC
NS	40X1791	1	1	Power cord LV, Taiwan
NS	40X1774	1	1	Power cord HV, Denmark, Finland, Norway, Sweden
NS	40X0275	1	1	Power cord, HV, Israel
NS	40X1773	1	1	Power cord HV, South Africa, Namibia, Lesotho, Botswana & Pakistan
NS	40X1772	1	1	Power cord HV, Switzerland

Assembly 32: Universal trays and accessories

Asm-Index	Part number	Units/mach	Units/kit or pkg	Description
NS	40X5857	1	1	Universal media drawer with tray, 200 sheet (X651, X652, X654, and X656)
NS	40X5858	1	1	Universal media tray, 200 sheet (X651, X652, X654, and X656)
NS	40X5859	1	1	Universal media drawer with tray, 400 sheet (X651, X652, X654, and X656)
NS	40X5860	1	1	Universal media tray, 400 sheet (X651, X652, X654, and X656)
NS	40X7001	1	1	Wear strips, smooth 250 sheet
NS	40X7002	1	1	Wear strips, dimpled 250 sheet
NS	99A1206	1	1	Wear strips, 3 row dimpled 250 sheet
NS	40X2786	1	1	Wear strips, 4 row dimpled 250 sheet
NS	40X7003	1	1	Wear strips, 3 row dimpled 550 sheet
NS	40X7004	1	1	Wear strips, dinky 550 sheet
NS	40X2787	1	1	Wear strips, 3 row dimpled 550 sheet
NS	40X2788	1	1	Wear strips, 4 row dimpled 550 sheet
NS	40X7009	1	1	250 sheet tray replacement wear strip kit
NS	40X7010	1	1	550 sheet tray replacement wear strip kit
NS	40X0392	1	1	Klear screen wipe

