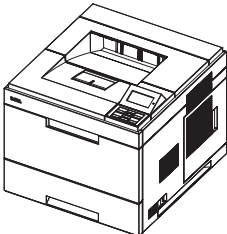
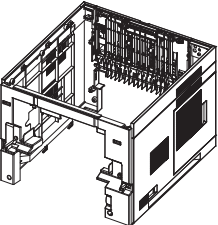
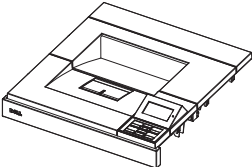
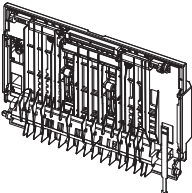
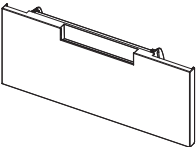
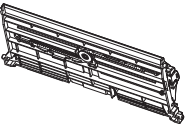
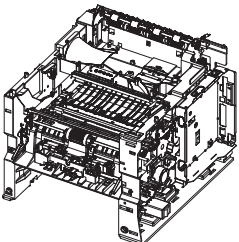
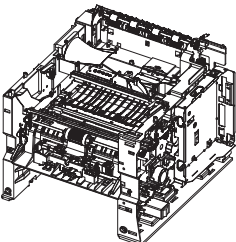
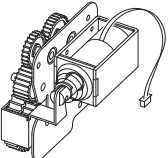
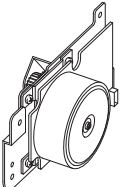
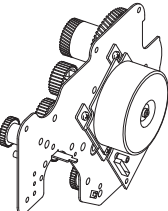
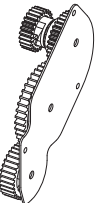
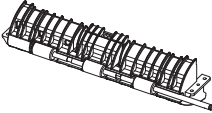

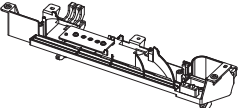
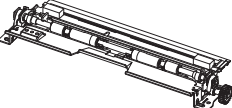
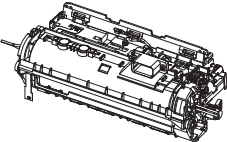
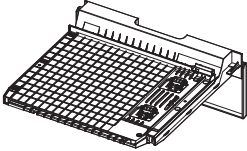
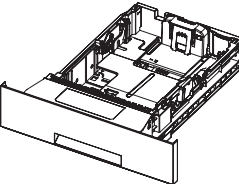
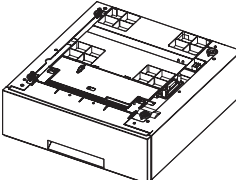


5. ExplodedView and Parts list

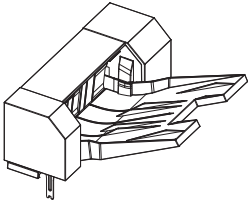
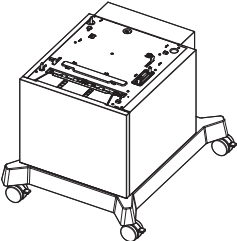
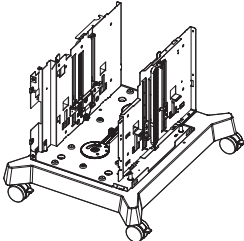
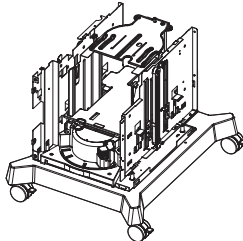
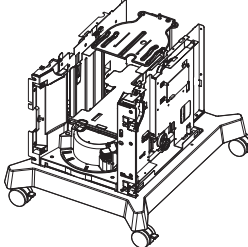
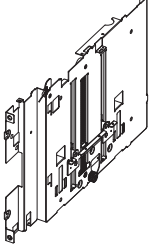
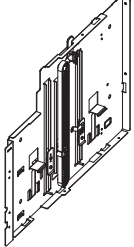
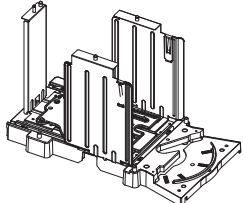
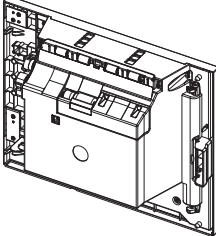
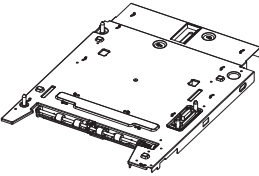
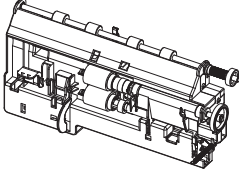
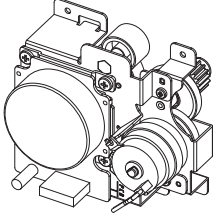
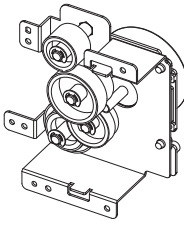
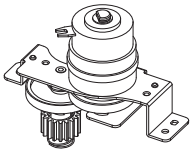
Contents

Thumbnail	5-2	5.18 Duplex Unit	5-44
5.1 Main	5-4	5.19 Cassette Unit	5-46
5.2 Housing_Cover	5-7	5.20 SCF Unit	5-48
5.3 Top Cover	5-9	5.21 Expander	5-51
5.4 Rear Cover	5-11	5.22 Main_HCF.....	5-55
5.5 Cover MP	5-13	5.23 HOU-L_HCF1	5-57
5.6 Knock-Up MP	5-15	5.24 HOU-L_HCF2	5-59
5.7 Frame1	5-17	5.25 HOU-L_HCF3	5-61
5.8 Frame2	5-18	5.26 LIFT_L_HCF.....	5-63
5.9 Exit Solenoid	5-24	5.27 LIFT_R_HCF	5-65
5.10 DEVE Motor	5-26	5.28 CASSETTE_HCF	5-67
5.11 Main Motor	5-28	5.29 DOOR FRONT_HCF	5-69
5.12 Idle Gear Unit	5-30	5.30 HOU-UPPER_HCF	5-71
5.13 Feed Unit	5-32	5.31 PICKUP_HCF	5-73
5.14 Feed Unit 3X5	5-34	5.32 DRIVE_HCF.....	5-75
5.15 LSU Frame	5-36	5.33 SUB-DRIVE_HCF	5-77
5.16 REGI	5-38	5.34 CLUTCH_HCF.....	5-79
5.17 Fuser Unit.....	5-40		

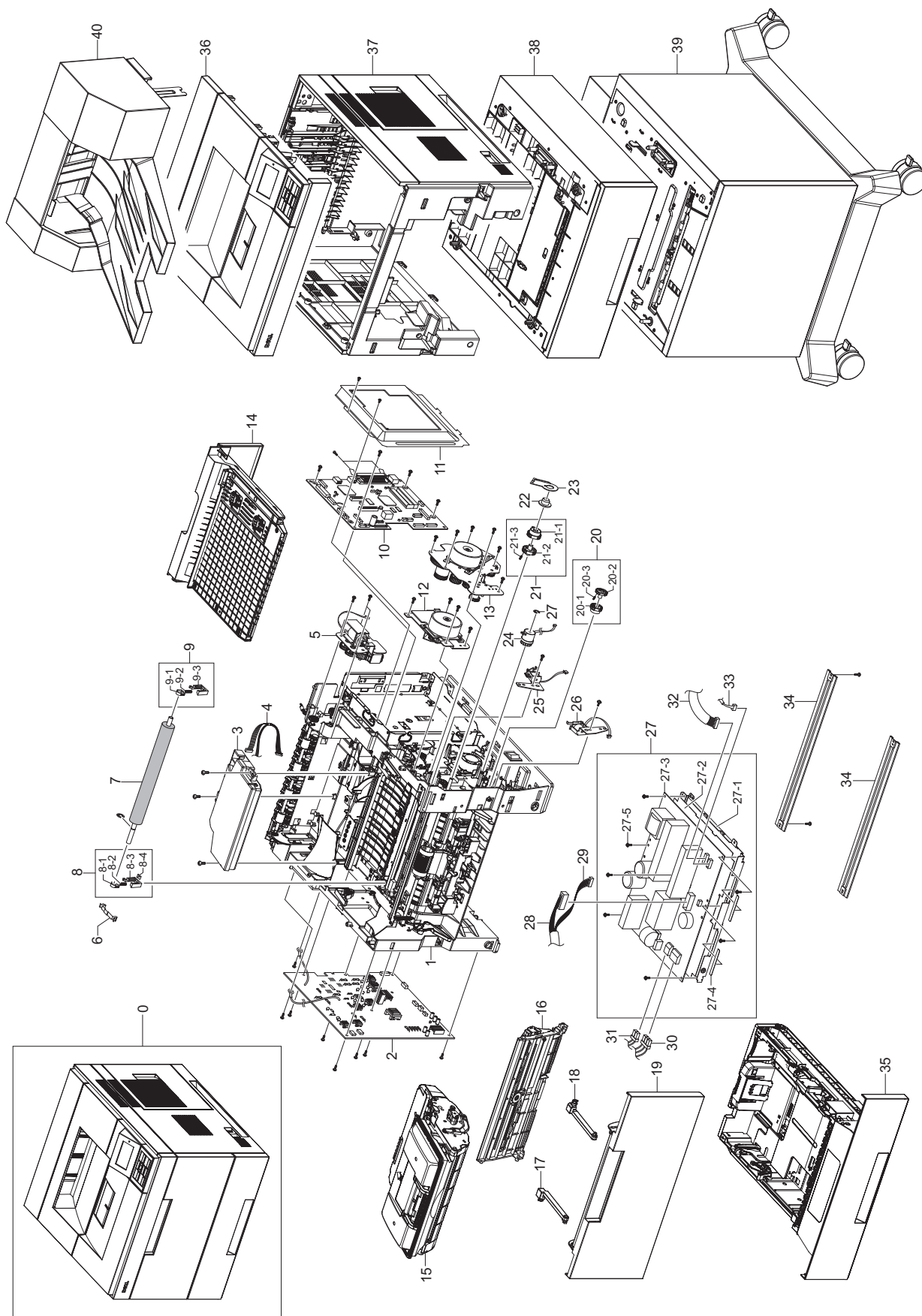
Thumbnail

			
5.1 Main	5.2 Housing_Cover	5.3 Top Cover	5.4 Rear Cover
			
5.5 Cover MP	5.6 Knock-Up MP	5.7 Frame1	5.8 Frame2
			
5.9 Exit Solenoid	5.10 DEVE Motor	5.11 Main Motor	5.12 Idle Gear Unit
			
5.13 Feed Unit	5.14 Feed Unit 3X5	5.15 LSU Frame	5.16 REGI
			
5.17 Fuser Unit	5.18 Duplex Unit	5.19 Cassette Unit	5.20 SCF Unit

Thumbnail

			
<p>5.21 Expander</p>	<p>5.22 Main_HCF</p>	<p>5.23 HOU-L_HCF1</p>	<p>5.24 HOU-L_HCF2</p>
			
<p>5.25 HOU-L_HCF3</p>	<p>5.26 LIFT_L_HCF</p>	<p>5.27 LIFT_R_HCF</p>	<p>5.28 CASSETTE_HCF</p>
			
<p>5.29 DOOR FRONT_HCF</p>	<p>5.30 HOU-UPPER_HCF</p>	<p>5.31 PICK-UP_HCF</p>	<p>5.32 DRIVE_HCF</p>
			
<p>5.33 SUB-DRIVE_HCF</p>	<p>5.34 CLUTCH_HCF</p>		

5.1 Main



Main Parts List

SA : SERVICEAVAILABLE, SNA : SERVICE not AVAILABLE

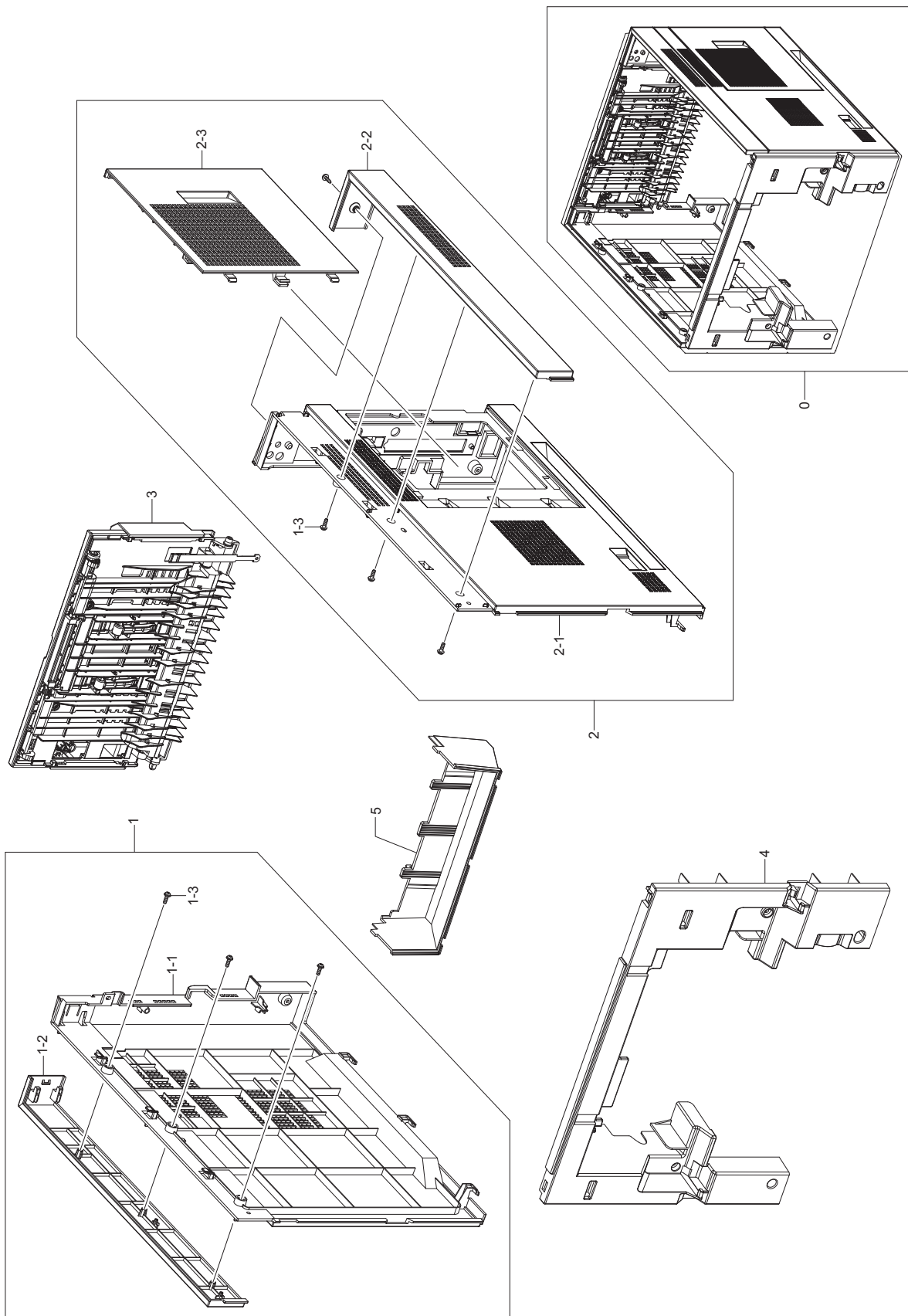
Drawer#	MFG_code	Description	Q'ty	Service	Remark
0	ML-5050ND	SET	1		
1	JC96-05026A	ELA HOU-FRAME ETC	1	SNA	
2	JC44-00166A	HVPS	1	SA	
3	JC96-04066B	ELA UNIT-LSU	1	SNA	
4	JC39-00436A	CBF HARNESS-LSU	1	SA	
5	JC96-05105A	ELA-EXIT SOLENOID	1	SA	
6	JC72-41292C	PMO-CAP TR	1	SA	
7	JC97-03422A	ROLLER-TRANSFER	1	SA	
8	JC96-01729B	ELA UNIT-HOLDER TR R	1	SA	
8-1	JC72-41142A	PMO-BUSHING TR	1	SNA	
8-2	JC61-00046A	SPRING ETC-TR R HAWK	1	SNA	
8-3	JC72-41145E	PMO-TRANSFER HOLDER R	1	SA	
8-4	JC70-11053A	IPR-PLATE TR	1	SNA	
9	JC96-01729B	ELA UNIT-HOLDER TR R	1	SA	
9-1	JC72-41142A	PMO-BUSHING TR	1	SNA	
9-2	JC61-00046A	SPRING ETC-TR R HAWK	1	SNA	
9-3	JC72-41145E	PMO-TRANSFER HOLDER R	1	SA	
10	JC92-02086A	PBA-MAIN	1	SA	
11	JC61-02566A	BRACKET-SHIELD_CTRL	1	SA	
12	JC96-05103A	ELA-DEVE BLDC	1	SA	
13	JC96-05104A	ELA-MAIN BLDC	1	SA	
14	JC96-05126A	ELA UNIT-DUPLEX	1	SA	
15	JC96-05135A	CARTRIDGE-TONER	1	SNA	
16	JC97-03259A	MEA UNIT-KNOCK_UP MP	1	SA	
17	JC66-01979A	ARM-MP_R		SA	
18	JC66-01980A	ARM-MP_L		SA	
19	JC97-03264A	MEA UNIT-COVER MP	1	SA	
20	JC97-02226A	MEA UNIT-GEAR PICK UP	1	SA	
20-1	JC66-00870A	GEAR-M-PICK UP CAM	1	SNA	
20-2	JC66-00876A	GEAR-M-PICK UP	1	SNA	
20-3	JC61-00003A	SPRING ETC	1	SA	
21	JC97-01738A	MEA UNIT-GEAR P/UP MP CARDINA	1	SA	
21-1	JC66-00424A	GEAR-MP HOLDER_CAM	1	SA	
21-2	JC66-00423A	GEAR-MP PICK_UP	1	SA	
21-3	JC61-00003A	SPRING ETC	1	SA	
22	JC66-10202A	BEARING-PICK UP	1	SA	
23	JC61-00755A	BRACKET-P-SHAFT MP	1	SA	
24					
25					

Main Parts List

SA : SERVICEAVAILABLE, SNA : SERVICE not AVAILABLE

Drawer#	MFG_code	Description	Q'ty	Service	Remark
26					
27	JC96-04003C	ELA HOU-SMPS_V1	1	SA	
27-1	JC63-01133A	SHIELD-SMPS	1	SNA	
27-2	JC62-00311A	INSULATION-SMPS	1	SNA	
27-3	JC44-00140A	SMPS-V1	1	SA	
27-4	JC63-00707A	SHEET-SMPS_SMALL	2	SNA	
27-5	6003-000269	SCREW-TAPTITE	7	SA	
28					
29					
30					
31					
32					
33					
34	JC71-00042A	BAR-P_CROSS BOTTOM	2	SA	
35	JC96-05151A	ELA UNIT-CASSETTE	1	SA	
36	JC96-05127A	ELA-COVER TOP	1	SA	
37	JC96-05143A	ELA HOU-COVER	1	SNA	
38	JC96-05159A	ELA UNIT-SCF	1	SNA	
39	JC96-05232A	ELA HOU-L-HCF	1	SNA	
40	MAS-0001A	UNIT-EXPANDER	1	SNA	

5.2 Housing Cover

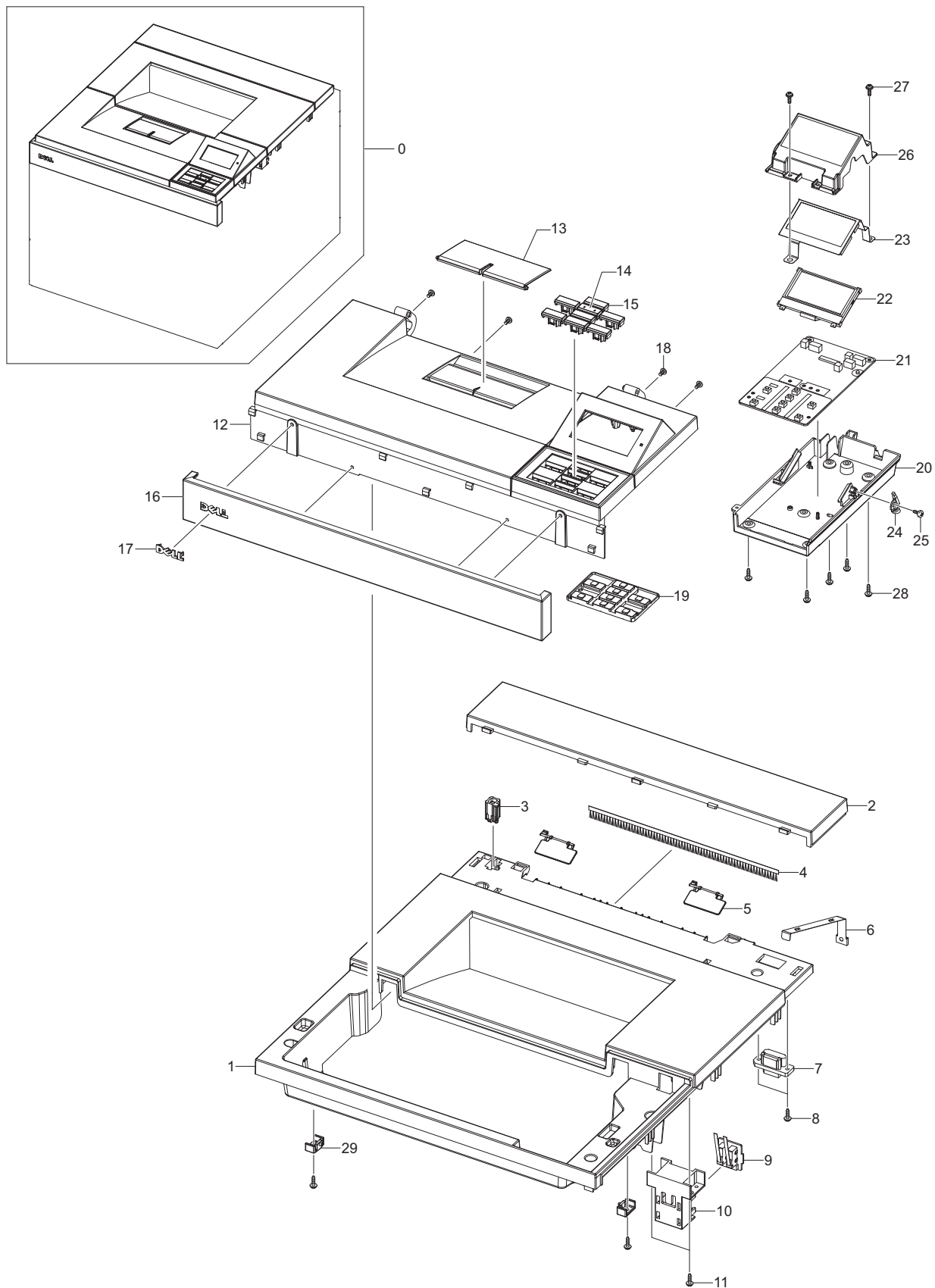


Housing_Cover Parts List

SA : SERVICEAVAILABLE, SNA : SERVICE not AVAILABLE

Drawer#	MFG_code	Description	Q'ty	Service	Remark
0	JC96-05143A	ELA HOU-COVER	1	SNA	
1	JC97-03234A	MEA-COVER LEFT	1	SA	
1-1	JC63-01949A	COVER-LEFT	1	SNA	
1-2	JC63-01945A	COVER-BAND-LEFT	1	SNA	
1-3	6003-000196	SCREW-TAPTITE	3	SA	
2	JC97-03235A	MEA-COVER RIGHT	1	SA	
2-1	JC63-01950A	COVER-RIGHT	1	SNA	
2-2	JC63-01947A	COVER-BAND-RIGHT	1	SNA	
2-3	JC63-01948A	COVER-CONTROL BOX	1	SNA	
3	JC96-05128A	ELA-COVER REAR	1	SA	
4	JC63-01955A	COVER-FRAME EXIT	1	SNA	
5	JC63-01956A	COVER-FRONT INNER	1	SNA	

5.3 Top Cover

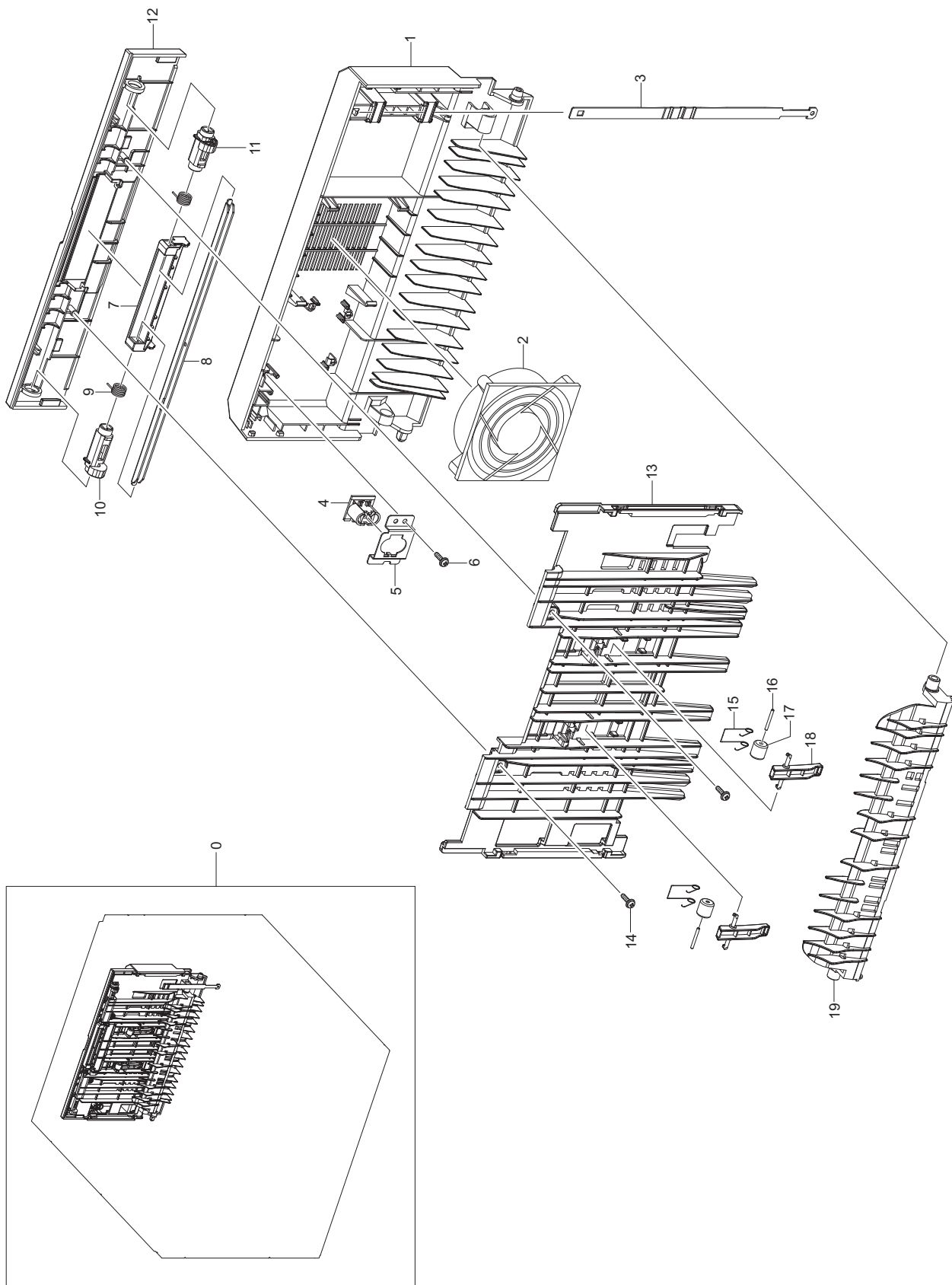


Top Cover Parts List

SA : SERVICEAVAILABLE, SNA : SERVICE not AVAILABLE

Drawer#	MFG_code	Description	Q'ty	Service	Remark
0	JC96-05127A	ELA-COVER TOP	1	SA	
1	JC63-01954A	COVER-TOP	1	SNA	
2	JC63-01951A	COVER-DUMMY TOP	1	SNA	
3	JC66-01966A	LEVER-EXPANDER	1	SNA	
4	JC75-00095A	MEC-BRUSH ANTISTATIC	1	SA	
5	JC66-00902D	LEVER-STACKING	2	SA	
6	JC63-00836A	GROUND-P-TOP_COVER	1	SA	
7	JC39-00974A	HARNESS-STACKER	1	SNA	
8	6003-000282	SCREW-TAPTITE	2	SNA	
9	JC92-02057A	PBA-COVER_OPEN	1	SA	
10	JC67-00316A	CAP-COVER OPEN	1	SA	
11	6003-000196	SCREW-TAPTITE	2	SA	
12	JC63-01953A	COVER-OPEN	1	SNA	
13	JC61-02626A	STACKER-RX	1	SNA	
14	JC64-00421A	KEY-ENTER	1	SNA	
15	JC64-00422A	KEY-MENU	7	SNA	
16	JC63-01946A	COVER-BAND FRONT	1	SNA	
17	JC64-00440A	BADGE-DELL	1	SNA	
18	6003-000115	SCREW-TAPTITE	4	SNA	
19	JC73-00283A	RUBBER-OPE	1	SA	
20	JC63-01952A	COVER-OPE BOARD	1	SNA	
21	JC92-02017A	PBA-OP_PANEL	1	SA	
22	JC07-00012A	LCD-MODULE	1	SA	
23	JC61-02556A	BRACKET-LCD	1	SA	
24	JC67-00315A	LENS-STATUS	1	SA	
25	6003-000115	SCREW-TAPTITE	1	SNA	
26	JC64-00425A	WINDOW-LCD	1	SNA	
27	6003-000196	SCREW-TAPTITE	2	SA	
28	6003-000196	SCREW-TAPTITE	5	SA	
29	JC61-00656A	STOPPER-M-HINGE OPEN	2	SA	
30	6003-000196	SCREW-TAPTITE	2	SA	

5.4 Rear Cover

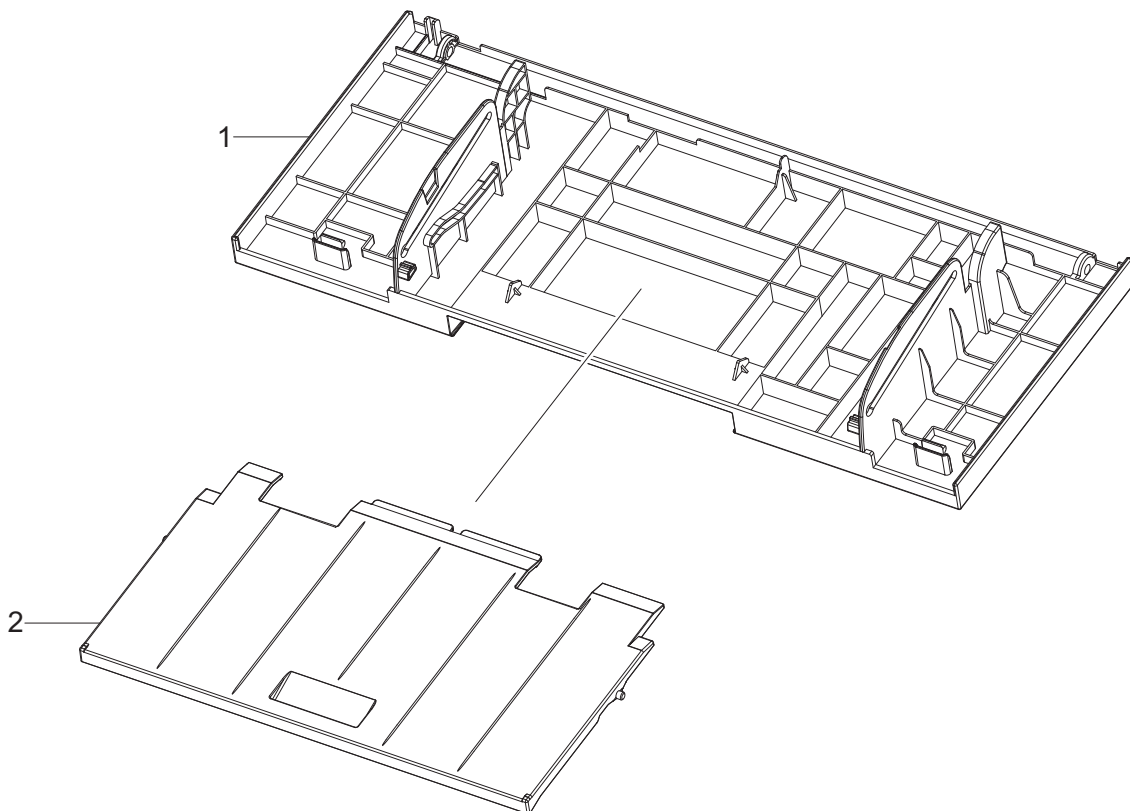
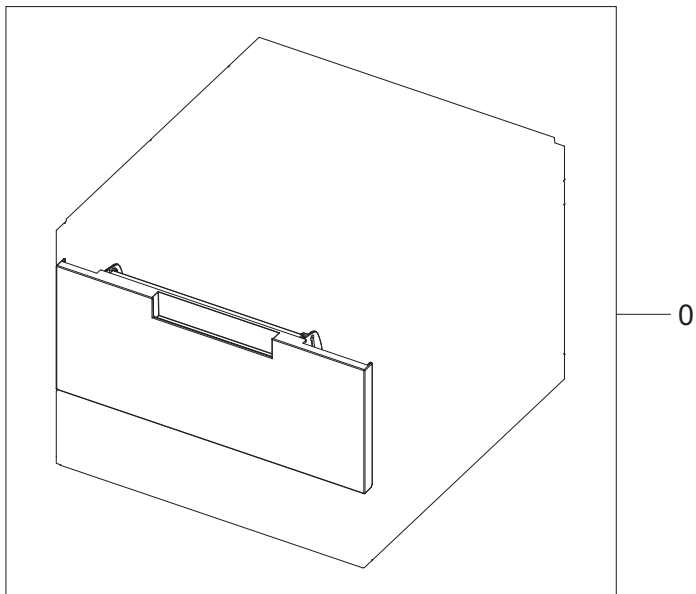


Rear Cover Parts List

SA : SERVICEAVAILABLE, SNA : SERVICE not AVAILABLE

Drawer#	MFG_code	Description	Q'ty	Service	Remark
0	JC96-05128A	ELA-COVER REAR	1	SA	
1	JC63-01958A	COVER-REAR	1	SNA	
2	JC31-00115A	PAN-BLOCK	1	SA	
3	JC72-01359B	PMO-STRIFE	1	SA	
4	JC39-00993A	HARNESS-REAR-JOINT2	1	SNA	
5	JC61-02622A	BRACKET-FEMALE	1	SNA	
6	6003-000196	SCREW-TAPTITE	1	SA	
7	JC64-00420A	HANDLE-REAR COVER	1	SA	
8	JC61-01404A	BRACKET-P-HANDLE SCF	1	SNA	
9	6107-001268	SPRING-TS	2	SA	
10	JC64-00423A	LOCKER-REAR_L	1	SNA	
11	JC64-00424A	LOCKER-REAR_R	1	SNA	
12	JC63-01957A	COVER-BAND-REAR	1	SNA	
13	JC61-02637A	GUIDE-STACKER REAR	1	SNA	
14	6003-000196	SCREW-TAPTITE	2	SA	
15	6107-001160	SPRING-TS	2	SA	
16	JC70-20901A	IEX-SHAFT IDLE_F/UP	2	SA	
17	JC72-20902A	PEX-ROLLER F/UP	2	SA	
18	JC61-00658A	GUIDE-M-DUPLEX	2	SA	
19	JC61-01217A	GUIDE-M_EXIT	1	SA	

5.5 Cover MP

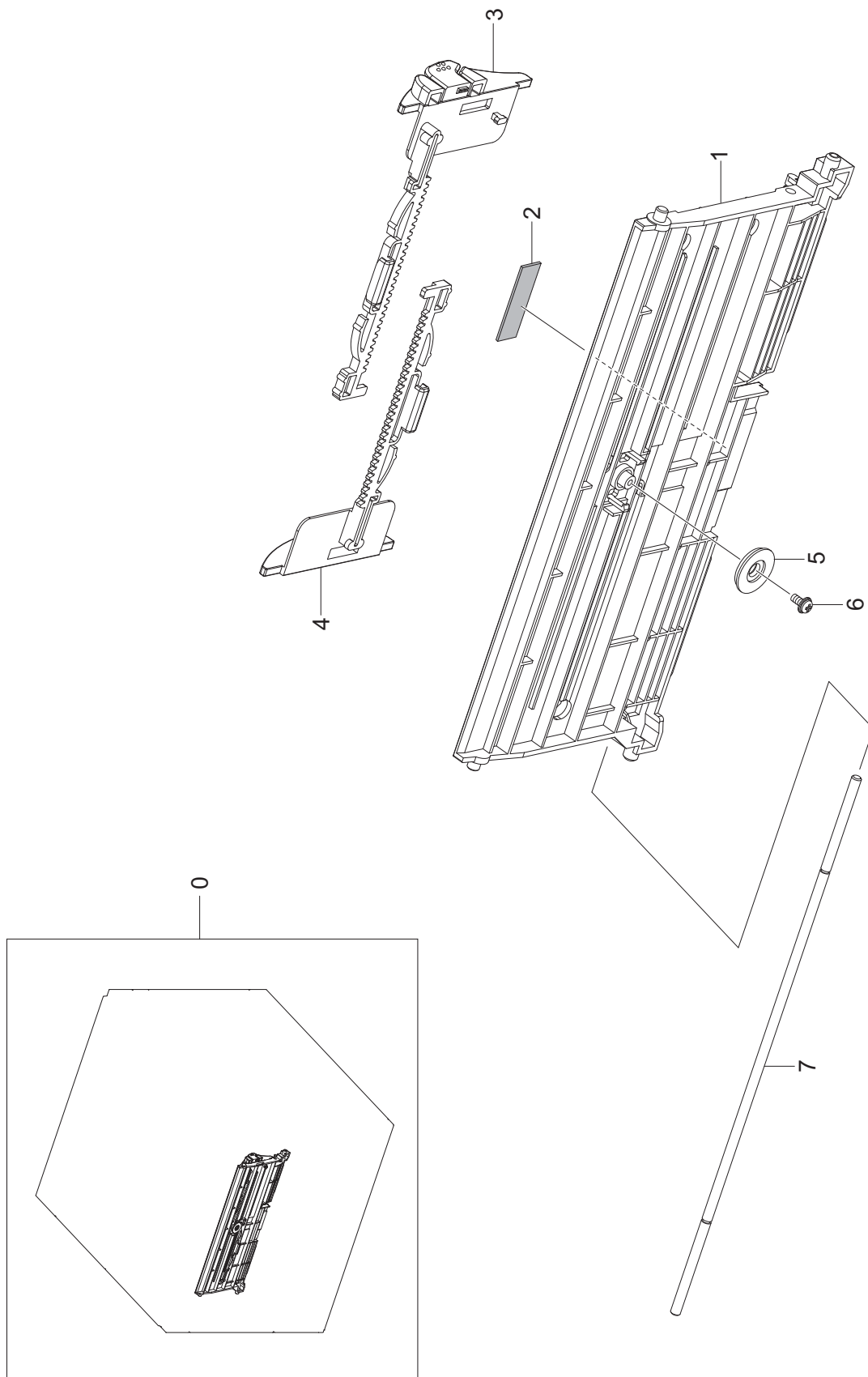


Cover MP Parts List

SA : SERVICEAVAILABLE, SNA : SERVICE not AVAILABLE

Drawer#	MFG_code	Description	Q'ty	Service	Remark
0	JC97-03264A	MEA UNIT-COVER MP	1	SA	
1	JC63-01941A	COVER-MP	1	SA	
2	JC63-01966A	TRAY-ASF_INPUT	1	SA	

5.6 Knock-Up MP

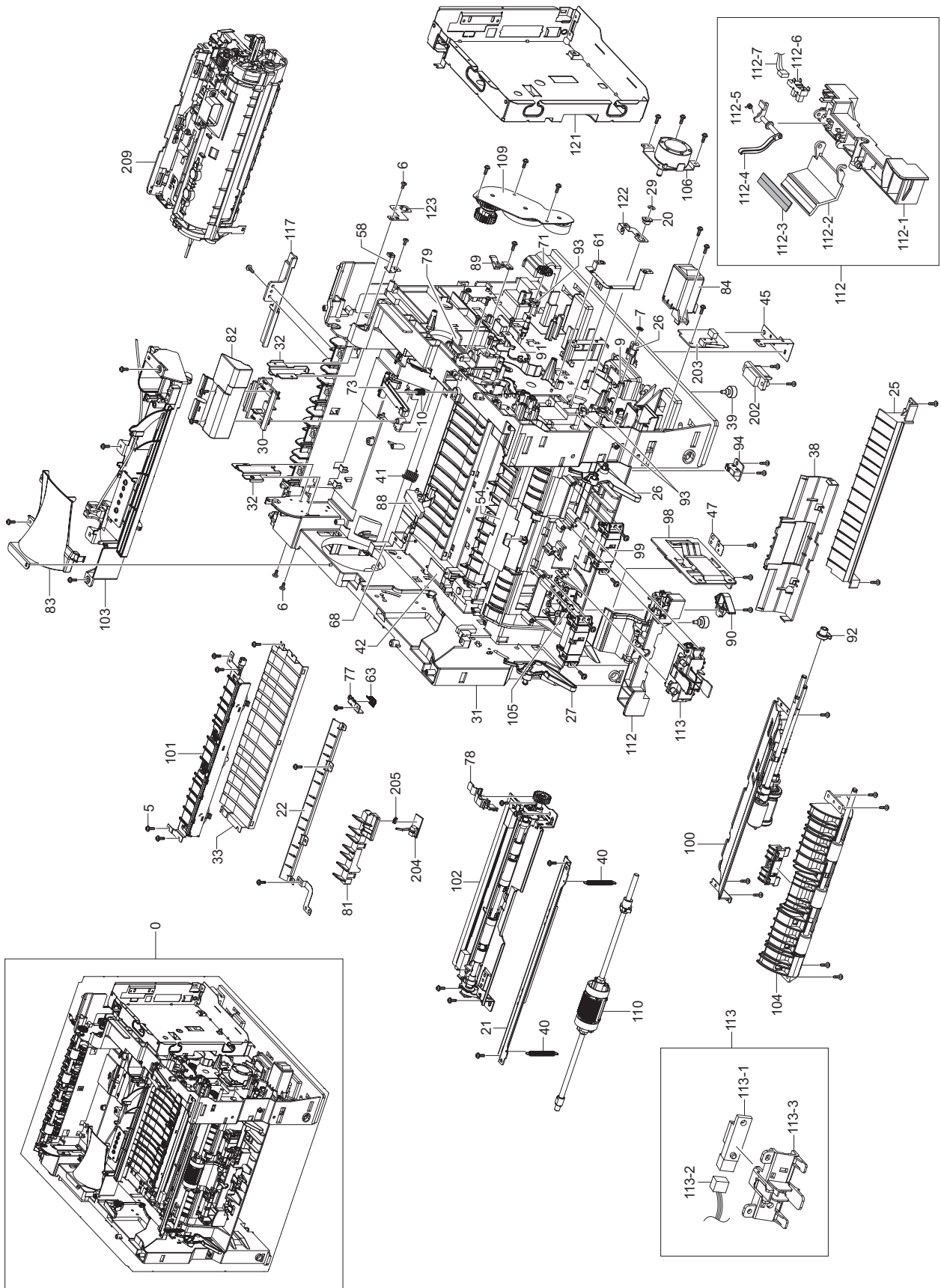


Knock-Up MP Parts List

SA : SERVICEAVAILABLE, SNA : SERVICE not AVAILABLE

Drawer#	MFG_code	Description	Q'ty	Service	Remark
0	JC97-03259A	MEA UNIT-KNOCK_UP MP	1	SA	
1	JC61-02644A	PLATE-GUIDE_SUPPORT	1	SA	
2	JC74-00011A	MPR-PAD KNOCK UP	1	SA	
3	JC72-01005C	PMO SIDE-GUIDE MP(L)	1	SA	
4	JC61-02645A	GUIDE-SIDE_MP_R	1	SA	
5	JG66-40003A	GEAR PINION	1	SA	
6	6003-000264	SCREW TAPTITE	1	SNA	
7	JC66-00895A	SHAFT-REINFORCEMENT	1	SNA	

5.7 Frame1



Frame Parts List

SA : SERVICEAVAILABLE, SNA : SERVICE not AVAILABLE

Drawer#	MFG_code	Description	Q'ty	Service	Remark
0	JC96-05026A	ELA HOU-FRAME ETC	1	SA	
1	0205-001002	GREASE-BEARING	0.319	SNA	
2	0205-001067	GREASE-GRAPHITE	0.005	SNA	
3	0604-001095	PHOTO-INTERRUPTER	1	SA	
4	0604-001381	PHOTO-INTERRUPTER	1	SA	
5	6003-000196	SCREW-TAPTITE	164	SA	
6	6003-000269	SCREW-TAPTITE	5	SA	
7	6003-000282	SCREW-TAPTITE	6	SNA	
8	6004-000001	RING-CS	2	SA	
9	6044-000231	RING-E	4	SA	
10	6107-001170	SPRING-TS	2	SA	
11	6107-001172	SPRING-CS	1	SA	
12	6107-001500	SPRING-TS	1	SNA	
13	JB39-00017A	CBF HARNESS-EARTH (TX MOTOR)	1	SC	
14	JB39-40532A	CBF HARNESS-EARTH OPE	2	SA	
15	JC63-00050A	FAN	1	SA	
16	JC31-00115A	FAN	1	SA	
17	JC39-00624A	HARNESS-INLET	1	SA	
18	JC39-00919A	HARNESS-SMPS_HVPS	1	SA	
19	JC61-00387A	SPRING ETC-PAD	1	SA	
20	JC61-00423A	BUSH-6_D	3	SA	
21	JC61-00667A	STOPPER-M-FAN80	3	SA	
22	JC61-00675A	GUIDE-P_REGI UPPER	1	SA	
23	JC61-00691A	GUIDE-PLATE PAPER	1	SA	
24	JC61-00772A	BUSH-DEV DR	2	SNA	
25	JC96-05362A	ELA HOU-GUIDE_FRONT	1	SNA	
26	JC61-01243A	HOLDER-M-PICK_UP	1	SNA	
27	JC61-01249A	STOPPER-M-KNOCK UP MP_R	1	SA	
28	JC61-01250A	STOPPER-M-KNOCK UP MP_L	1	SA	
29	JC61-01550A	STOPPER-SPACER	3	SNA	
30	JC61-01768A	HOLDER-IDLE ENV	1	SNA	
31	JC61-02465A	HOUSING-TERMINAL	1	SA	
32	JC61-02495A	FRAME-BASE_CRANE	1	SNA	
33	JC61-02556A	BRACKET-SUPPORT_STACKER	2	SNA	
34	JC61-02558A	GUIDE-TRANSFER_REAR	1	SNA	
35	JC61-02559A	GUIDE-DEFLECTOR	1	SA	
36	JC61-02625A	BRACKET-SUPPORT_FRAME	1	SNA	
37	JC61-02628A	HOLDER-GUIDE_DEFLECTOR	1	SA	
38	JC61-02634A	BRACKET-MALE_REAR	1	SNA	

Frame Parts List

SA : SERVICEAVAILABLE, SNA : SERVICE not AVAILABLE

Drawer#	MFG_code	Description	Q'ty	Service	Remark
39	JC61-02648A	GUIDE-PATH	1	SA	
40	JC61-40001A	FOOT-ML80	2	SA	
41	6107-001517	SPRING ES	2	SNA	
42	JC61-70932A	SPRING ETC-GUIDE DEVE	2	SA	
43	JC63-00459A	SHEET-SCAN LOWER	1	SNA	
44	JC63-00669A	GROUND-P_GUIDE TR	1	SNA	
45	JC63-00672A	GROUND--REGI ROLLER	1	SNA	
46	JC63-00673A	GROUND-P-SCF_MAIN	1	SNA	
47	JC63-00674A	GROUND-P-PICK_UP_MAIN	1	SNA	
48	JC63-00675A	GROUND-P-PAPER_SIZE	1	SNA	
49	JC63-00676A	GROUND-P-FUSER	1	SNA	
50	JC63-00677A	GROUND-P-MOTOR_DEVE	1	SNA	
51	JC63-00678A	GROUND-P-PICK_UP_MP	1	SNA	
52	JC63-00679A	GROUND-P-ZENER	1	SNA	
53	JC63-00680A	GROUND-P-GUIDE DUP	1	SNA	
54	JC63-00875A	GROUND-P-BRUSH	1	SNA	
55	JC63-00911A	SHEET-GUIDE PATH	1	SNA	
56	JC63-01748A	GROUND-HVPS_LOWER	1	SNA	
57	JC63-01757A	GROUND-OPC	1	SNA	
58	JC63-01844A	GROUND-HVPS_UPPER	1	SNA	
59	JC63-01864A	GROUND-STACKER	1	SNA	
60	JC63-01865A	GROUND-FUSER-DRIVER	1	SNA	
61	JC63-01866A	GROUND-TONER_CONNECTOR	1	SNA	
62	JC63-01867A	GROUND-MOTOR-MAIN	1	SNA	
63	6107-001516	SPRING-CS	1	SNA	
64	JC65-00001A	TERMINAL-P_PTL	2	SA	
65	JC65-00006A	TERMINAL-P_HV CARDINAL	1	SA	
66	JC65-00008A	TERMINAL-P-TR_KESTREL	1	SA	
67	JC65-00010B	TERMINAL-GUIDE_FRONT	1	SNA	
68	JC65-00034A	TERMINAL-THV	1	SNA	
69	JC65-00039A	TERMINAL-SAW_FRAME1	1	SNA	
70	JC66-00377A	CAM-M-PICK_UP	1	SA	
71	JC66-00420A	GEAR-REGI Z25	1	SA	
72	JC66-00674A	GEAR-M-EXIT Z17	2	SA	
73	JC66-00854A	GEAR-M-EXIT DUP Z21	1	SA	
74	JC66-00877A	LEVER-M-BRACKET_SWING	1	SNA	
75	JC66-00883A	RILLER-EXIT_F/DOWN	1	SNA	
76	JC66-00888A	SHAFT-M BELT_GEAR	1	SNA	
77	JC66-01142A	ROLLER-SLIDE A	2	SNA	

Frame Parts List

SA : SERVICEAVAILABLE, SNA : SERVICE not AVAILABLE

Drawer#	MFG_code	Description	Q'ty	Service	Remark
78	JC67-00036A	CAP-M-WIRE PTL LOWER	1	SNA	
79	JC67-00039A	CAP-M-GEAR	1	SA	
80	JC67-00092A	CAP-M-DEVE_MOTOR	1	SNA	
81	JC67-00093A	CAP-M-GUIDE_HARNESS	1	SNA	
82	JC67-00097A	CAP-M_SENSOR_FEED	1	SNA	
83	JC67-00099A	CAP-M-HOUS_TERM	1	SNA	
84	JC67-00189A	DUCT-FAN_MAIN	1	SA	
85	JC67-00300A	CAP-POWER	1	SA	
86	JC68-01760A	LABEL-INFORMATION	1	SNA	
87	JC70-00339A	IPR-P_GROUND PLATE PAPER	1	SA	
88	JC72-00317A	PMO-GUIDE DEVE L	1	SA	
89	JC72-00318A	PMO-GUIDE DEVE R	1	SA	
90	JC72-00983A	PMO-LOCKER CST	2	SA	
91	JC72-01356A	PMO-DUMMY_DEVE	1	SNA	
92	JC72-01362A	PMO-M-CAM_PICK UP	1	SNA	
93	JC72-41191B	PMO-BEARING SHAFT	4	SA	
94	JC92-01261C	PBA SUB-FUSER_SW	1	SA	
95	JC92-01516A	PBA SUB-PTL2	1	SA	
96	JC96-01579A	ELA HOU-MOTOR GND	1	SA	
97	JC96-01772A	ELA HOU-VARISTOR	1	SA	
98	JC96-02127B	ELA UNIT-CST_SENSOR	1	SA	
99	JC96-03421A	ELA UNIT-FEED2 IDLE	2	SA	
100	JC96-03422A	ELA UNIT-PICK UP	1	SA	
101	JC96-03425B	ELA UNIT-FEED_3X5	1	SA	
102	JC96-03959A	ELA UNIT-REGI	1	SA	
103	JC96-03960C	ELA HOU-FRAME_LSU_LO	1	SA	
104	JC96-04119B	ELA UNIT-FEED	1	SA	
105	JC96-04120B	ELA HOU-SENSOR_CHECK	1	SNA	
106	JC97-01034A	MEA RACK-EXIT ROLLER	4	SA	
107	JC97-01401A	MEA UNIT-TERMINAL:TR	1	SA	
108	JC97-02238A	MEA UNIT-GEAR IDLE	1	SA	
109	JC97-02649A	MEA UNIT-PICK UP MP	1	SA	
110	JC97-02662A	MEA UNIT-EXIT DUP	1	SA	
111	JC96-05150A	ELA-HOU BASE HOLDER	1	SNA	
112	JC97-03266A	MEA_RETARD	1	SA	
112-1	JC61-02643A	FRAME-HOLDER_PAD_MP	1	SA	
112-2	JC61-02642A	HOLDER-PAD_MP	1	SA	
112-3	JC73-00132A	RPR-FRICTION PAD MP	1	SA	
112-4	JC72-01365A	PMO-ACTUATOR EMPTY MP	1	SA	

Frame Parts List

SA : SERVICEAVAILABLE, SNA : SERVICE not AVAILABLE

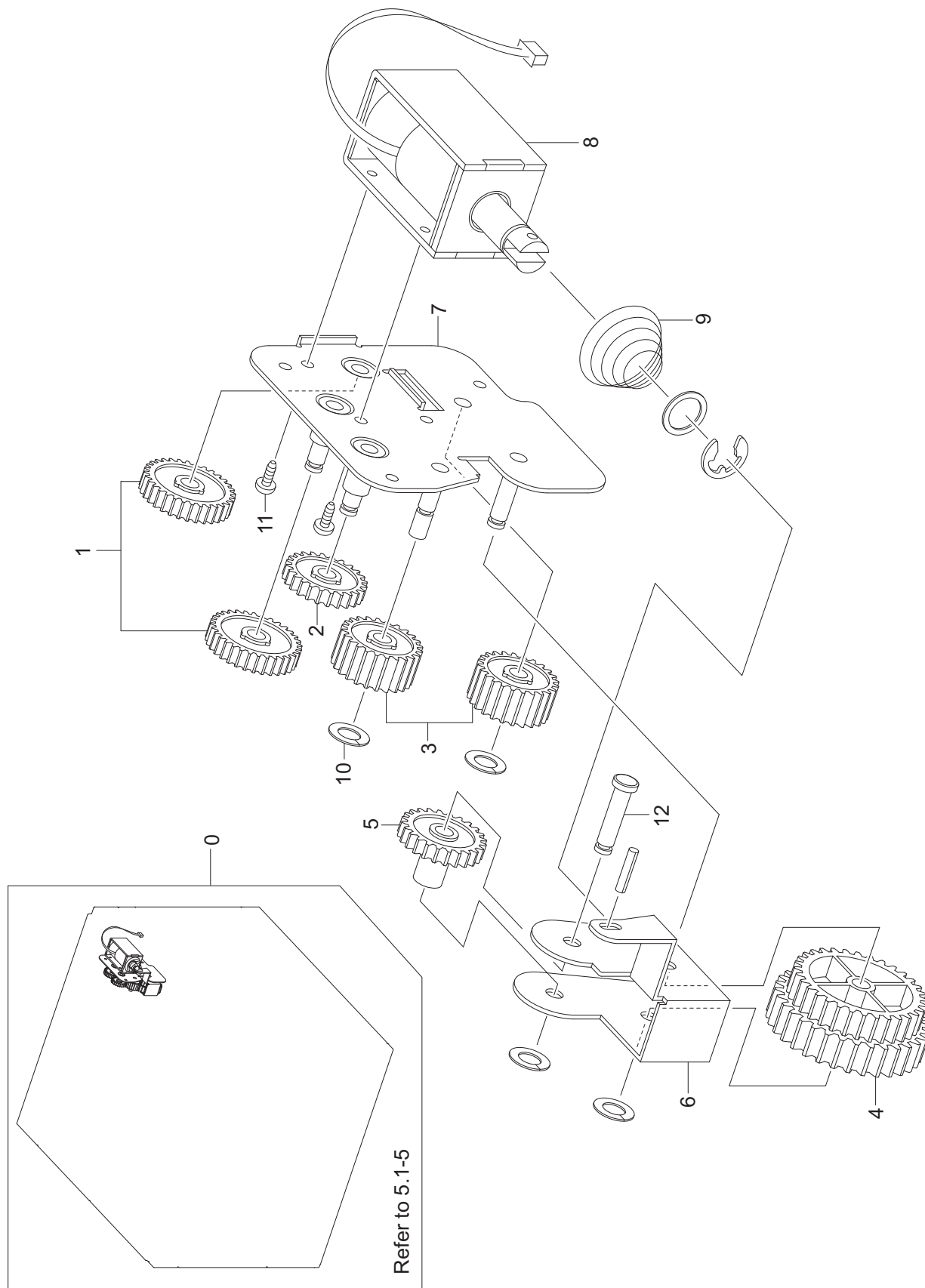
Drawer#	MFG_code	Description	Q'ty	Service	Remark
112-5	JC61-70965A	SPRING ETC-EMPTY	1	SA	
112-6	0604-001095	PHOTO-INTERRUPTER	1	SA	
112-7	JC39-00451A	CBF HARNESS-MP EMPTY	1	SC	
113	JC96-04120B	ELA HOU-SENSOR_CHECK	1	SNA	
113-1	0604-001381	PHOTO-INTERRUPTER	1	SA	
113-2	JC39-00451A	CBF HARNESS-MP_EMPTY	1	SC	
113-3	JC67-00320A	CAP-SENSOR_CHECK	1	SNA	
114	JC96-01563A	ELA UNIT-FUSER DRIVE	1	SA	
114-1	6031-001255	WASHER-PLAIN	3	SA	
114-2	JC66-01954A	GEAR-ENCORDER	1	SNA	
114-3	JC70-00557A	HUB-CLUTCH	1	SNA	
114-4	JC66-01955A	GEAR-HUB_CAM	1	SNA	
114-5	6001-000485	SCREW-MACHINE	2	SNA	
114-6	JC61-02599A	HOLDER-PHOTO_SIDE	1	SA	
114-7	0604-001381	PHOTO-INTERRUPTER(GP2A230LR50F)	1	SA	
114-8	JC61-02592A	BRACKET-HOLDER_MOTOR	1	SNA	
114-9	JC31-00094A	MOTOR DC	1	SA	
114-10	JC66-01956A	GEAR-REDUCTION	1	SNA	
114-11	JC61-02594A	BRACKET-RELEASE_MAIN	1	SNA	
114-12	JC61-02598A	BRACKET-COVER_GEAR	1	SNA	
114-13	JC66-01957A	GEAR-WORM_WHEEL	1	SNA	
114-14	JC61-02595A	BRACKET-HOLDER_PHOTO	1	SNA	
114-15	0604-001095	PHOTO-INTERRUPTER	1	SA	
115	JC61-02609A	HOLDER-LIFE_CONNECTOR	1	SNA	
116	JC61-02623A	HOLDER-HOOK_CONNECTOR	1	SA	
117	JC67-00329A	CAP-TONER_CONNECTOR	1	SA	
118	JC67-00330A	CAP-FUSER_HARNESS	1	SA	
119	JC61-02614A	HOLDER ACT-DUPLEX	1	SNA	
120	JC66-02102A	ROLLER-DECURL	4	SNA	
121	JC63-01870A	MEA UNIT-SHIELD CTRL	1	SA	
122	JC63-02080A	GROUND-FEED-SHAFT	1	SNA	
123	JC63-02066A	GROUND-2ND_SHAFT	1	SNA	
124	JC63-02068A	GROUND-3RD_SHAFT	1	SNA	
125	JC61-01735A	HOLDER-FAN	1	SA	
126	JC63-01998A	SHEET COVER-HOLE	1	SA	
200		PBA-TONER_CONNECTOR_CRANE	1	SA	
201		GND-HARNESS-ZENOR	1	SA	
202		CONNECTOR-SCF-FRAME	1	SA	
203	JC96-01772A	ELA HOU-VARISTOR	1	SA	

Frame Parts List

SA : SERVICEAVAILABLE, SNA : SERVICE not AVAILABLE

Drawer#	MFG_code	Description	Q'ty	Service	Remark
204	JC92-01262C	PBA SUB-FEED-SENSOR	1	SA	
205		CBF HARNESS	1	SA	
206		1000Mohm	1	SNA	
207		SUB-SEN_DETECT_DPX	1	SNA	
208		PBA DPX-JAM	1	SA	
209	JC96-04854A	ELA UNIT-FUSER 2LAMP 110V	1	SA	
	JC96-04854B	ELA UNIT-FUSER 2LAMP 220V	1	SA	

5.9 Exit Solenoid

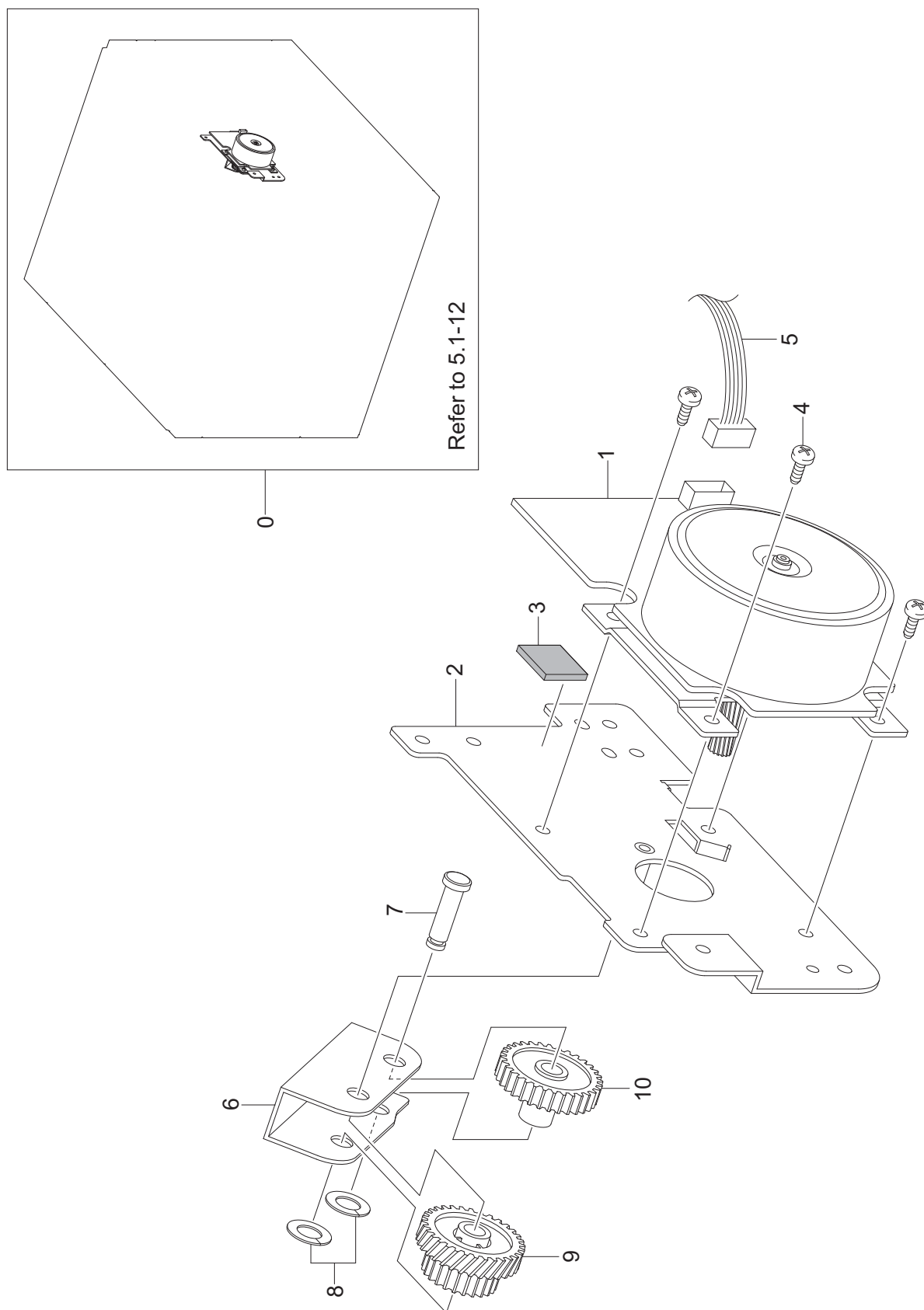


Exit Solenoid Parts List

SA : SERVICEAVAILABLE, SNA : SERVICE not AVAILABLE

Drawer#	MFG_code	Description	Q'ty	Service	Remark
0	JC96-05105A	ELA-EXIT SOLENOID	1	SA	
1	JC66-00869A	GEAR IDLE 25	2	SNA	
2	JC66-40911A	GEAR DP IDLE	1	SA	
3	JC66-00100A	GEAR-6	2	SNA	
4	JC66-00856A	GEAR-M-RDCN EXIT	1	SNA	
5	JC66-00855A	GEAR-M-SWING DUPLEX	1	SNA	
6	JC61-01202A	BRACKET-P-LINK SWING	1	SNA	
7	JC61-01205A	BRACKET-P-EXIT	1	SNA	
8	JC33-00033A	SOLENOID-DUPLEX	1	SNA	
9	JC61-70915A	SPRING ETC-SOLENOID DP	1	SA	
10	6031-001255	WASHER-PLAIN	4	SA	
11	6001-000130	SCREW-MACHINE	2	SNA	
12	JC66-00916A	SHAFT-SWING DUPLEX	1	SNA	

5.10 DEVE Motor

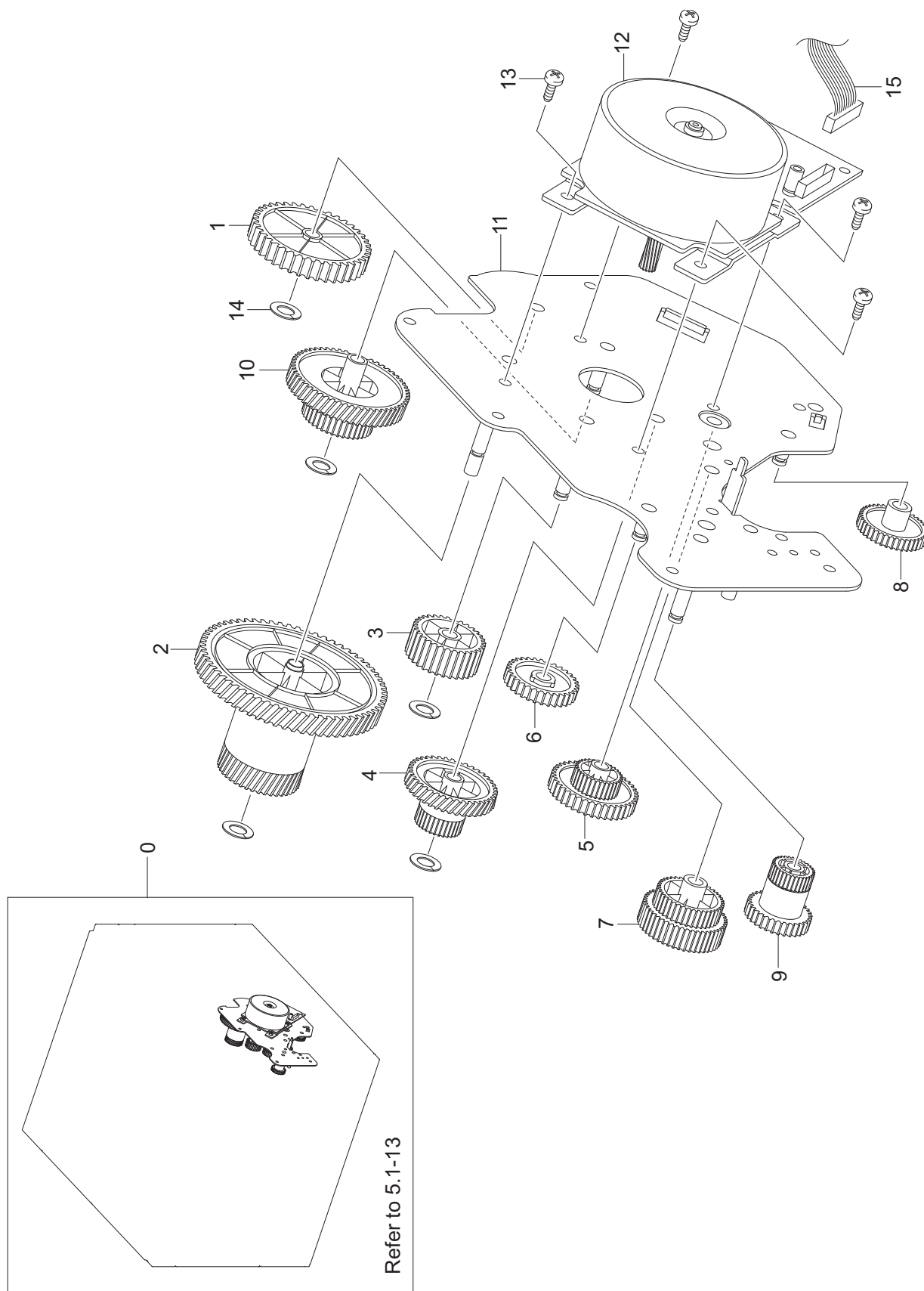


DEVE Motor Parts List

SA : SERVICEAVAILABLE, SNA : SERVICE not AVAILABLE

Drawer#	MFG_code	Description	Q'ty	Service	Remark
0	JC96-05103A	ELA-DEVE BLDC	1	SA	
1	JC31-00039B	MOTOR BLDC	1	SNA	
2	JC61-01201A	BRACKET-P-DEVE	1	SNA	
3	JG61-40001A	FOOT-SF4000	1	SA	
4	6003-000301	SCREW-TAPTITE	3	SA	
5	JC39-00661A	HARNESS-FUSER CONTROL	1	SNA	
6	JC61-01203A	BRACKET-P-SWING	1	SNA	
7	JC66-00915A	SHAFT-SWING DEVE	1	SNA	
8	6031-001255	WASHER-PLAIN	2	SA	
9	JC66-00871A	GEAR-M-RDCN DEVE	1	SNA	
10	JC66-00857A	GEAR-M-SWING	1	SNA	

5.11 Main Motor

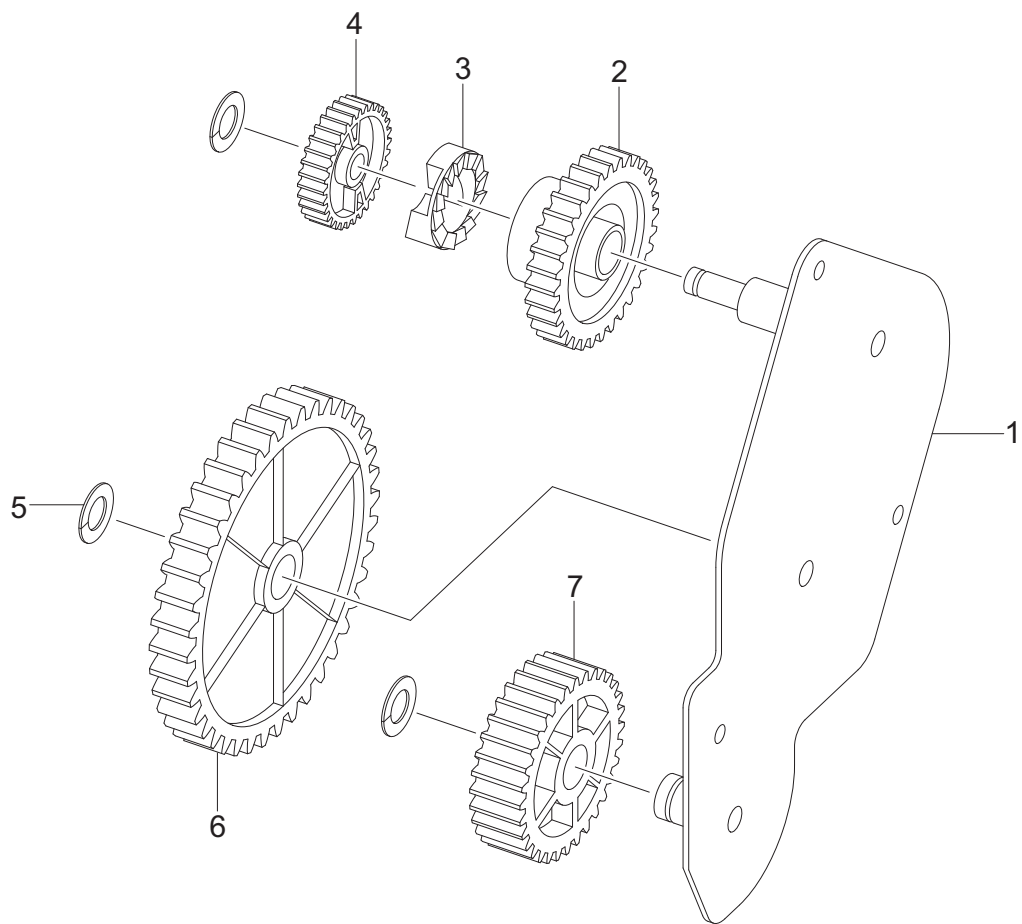
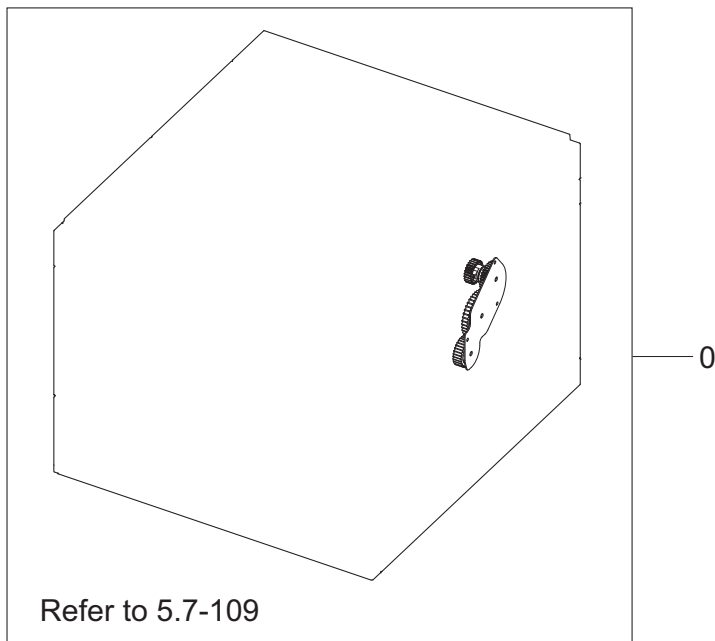


Main Motor Parts List

SA : SERVICEAVAILABLE, SNA : SERVICE not AVAILABLE

Drawer#	MFG_code	Description	Q'ty	Service	Remark
0	JC96-05104A	ELA-MAIN BLDC	1	SA	
1	JC66-00875A	GEAR-M-FUSER IDLE 1	1	SA	
2	JC66-00867A	GEAR-M-OPC DRV	1	SNA	
3	JC66-00864A	GEAR-M-REGI DRV	1	SNA	
4	JC66-00865A	GEAR-M-RDCN REGI	1	SNA	
5	JC66-00866A	GEAR-M-RDCN PICK UP	1	SNA	
6	JC66-00863A	GEAR-M-PICK UP DRV	1	SNA	
7	JC66-00862A	GEAR-M-FEED DRV	1	SNA	
8	JC66-00861A	GEAR-M-MP DRV	1	SNA	
9	JC66-00873A	GEAR-M-RDCN MP	1	SNA	
10	JC66-00860A	GEAR-M-RDCN FUSER	1	SNA	
11	JC61-01204A	BRACKET-P-MAIN	1	SNA	
12	JC31-00113A	MOTOR BLDC	1	SNA	
13	6003-000301	SCREW-TAPTITE	4	SNA	
14	6031-001255	WASHER-PLAIN	5	SA	
15	JC39-00975A	CBF Harness DC MOTOR	1	SNA	

5.12 Idle Gear Unit

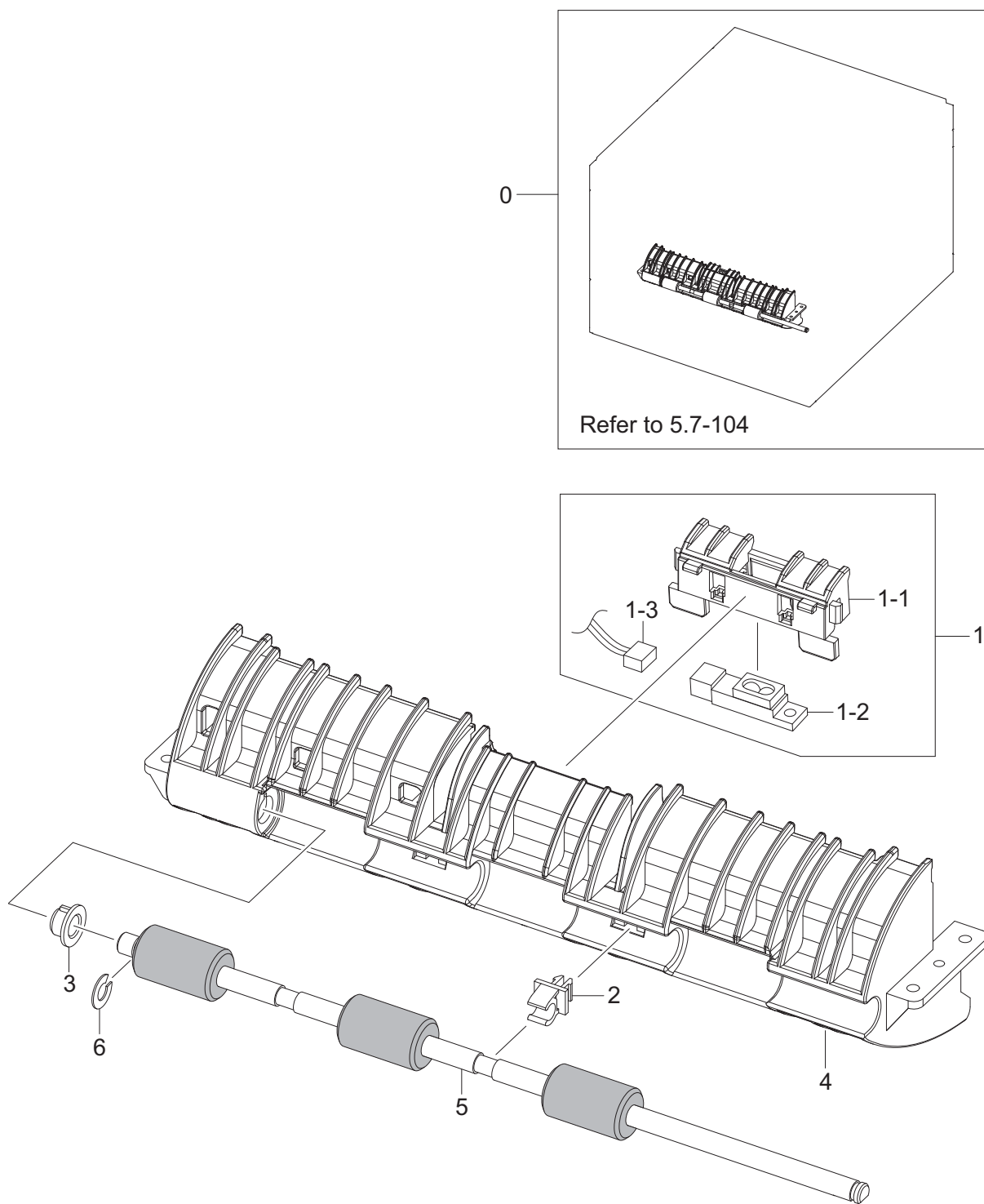


Idle Gear Unit Parts List

SA : SERVICEAVAILABLE, SNA : SERVICE not AVAILABLE

Drawer#	MFG_code	Description	Q'ty	Service	Remark
0	JC97-02238A	MEA UNIT-GEAR IDLE	1	SA	
1	JC61-01200A	BRACKET-P-GEAR IDLE	1	SNA	
2	JC66-00858A	GEAR-M-FUSER DRV IN	1	SNA	
3	JC66-00868A	CLUTCH-M-HUB	1	SNA	
4	JC66-01155A	GEAR-FUSER RDCN OUT V	1	SNA	
5	6031-001255	WASHER-PLAIN	3	SA	
6	JC66-00872A	GEAR-FUSER IDLE 3	1	SNA	
7	JC66-00859A	GEAR-M-FUSER IDLE 2	1	SNA	

5.13 Feed Unit

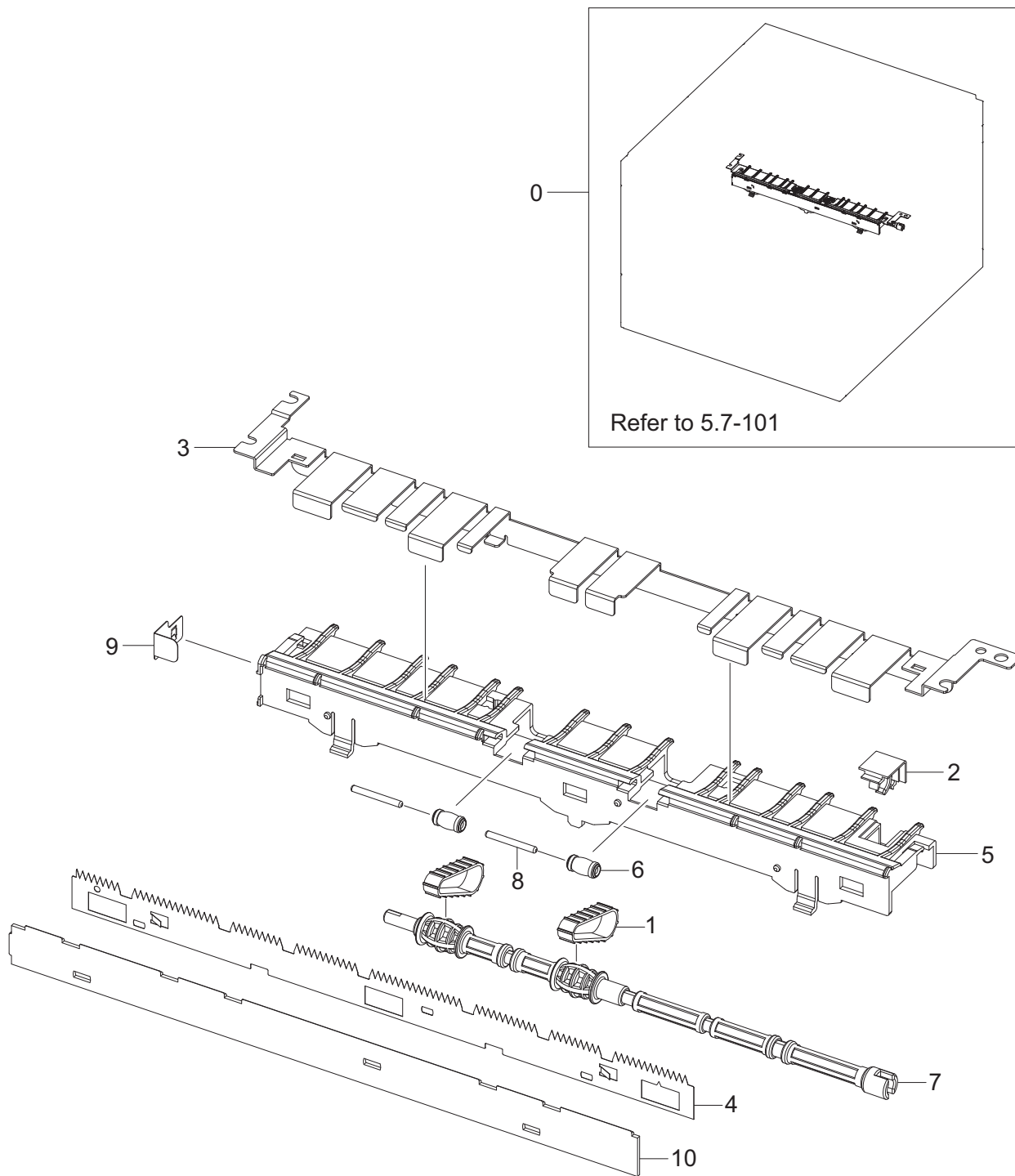


Feed Unit Parts List

SA : SERVICEAVAILABLE, SNA : SERVICE not AVAILABLE

Drawer#	MFG_code	Description	Q'ty	Service	Remark
0	JC96-04119B	ELA UNIT-FEED	1	SA	
1	JC96-04114B	ELA UNIT-SENSOR_CHARGE	1	SNA	
2	JC72-00382B	PMO-BUSHING FEED	1	SA	
3	JC66-10202A	BEARING-PICK UP	1	SA	
4	JC61-01725A	FRAME-FEED	1	SA	
5	JC66-01267A	ROLLER-SHAFT_FEED	1	SA	
6	JC61-01550A	STOPPER-SPACER	1	SNA	

5.14 Feed Unit 3X5

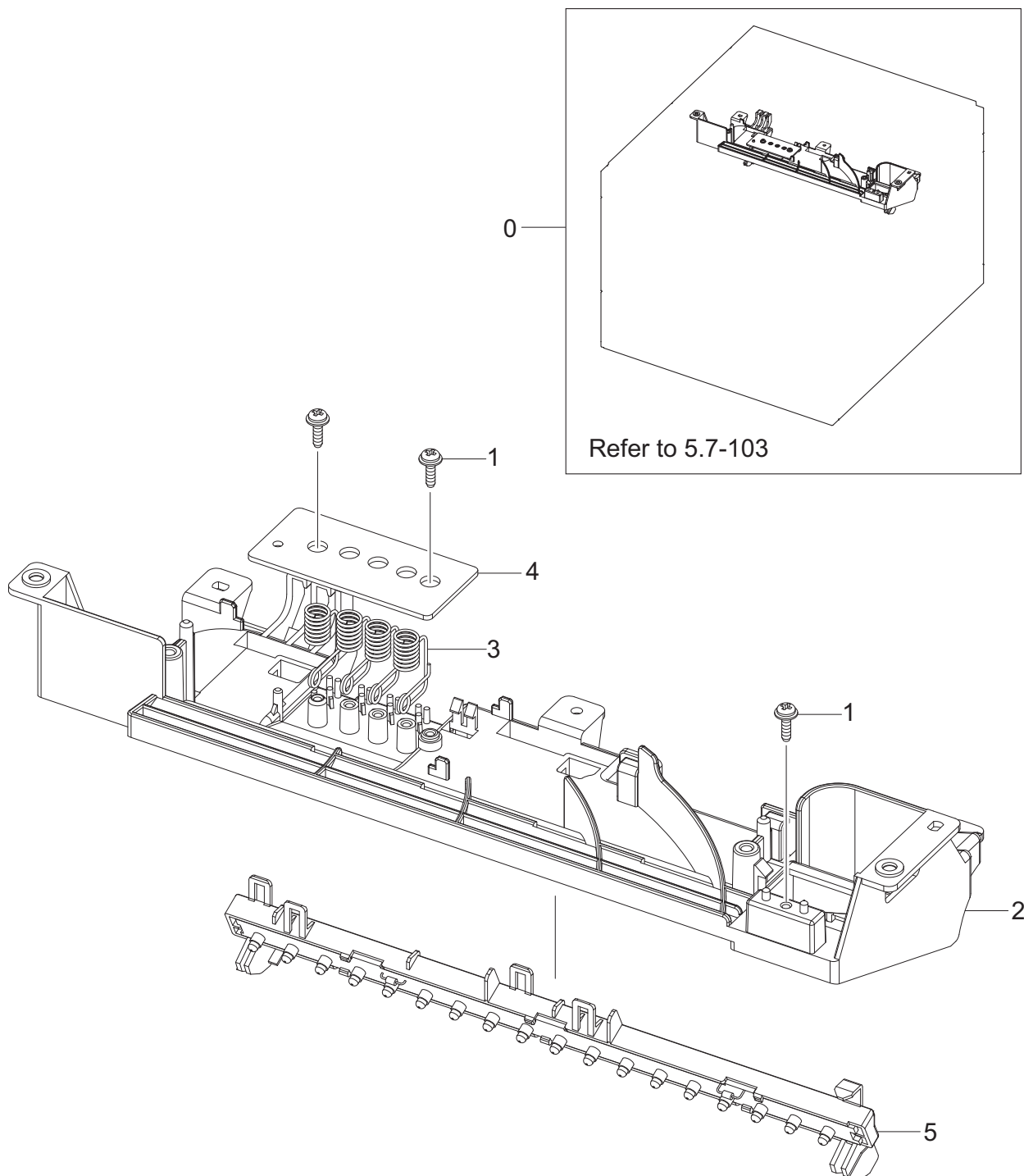


Feed Unit 3X5 Parts List

SA : SERVICEAVAILABLE, SNA : SERVICE not AVAILABLE

Drawer#	MFG_code	Description	Q'ty	Service	Remark
0	JC96-03425B	ELA UNIT-FEED_3X5	1	SA	
1	JC73-00206A	RUBBER-BELT_FEED	2	SA	
2	JC61-01239A	GUIDE-M SHAFT_BELT	1	SNA	
3	JC61-02624A	GUIDE-TRANSFER_FRONT	1	SNA	
4	JC61-02703A	PLATE-SAW	1	SNA	
5	JC61-02618A	HOLDER-SAW	1	SNA	
6	JC66-00887A	ROLLER-M IDLE_BELT	2	SNA	
7	JC66-01985A	SHAFT-BELT_3X5	1	SNA	
8	JC70-20901A	IEX-SHAFT IDLE,F/UP	2	SA	
9	JC65-00038A	TERMINAL-SIDE_SAW	1	SNA	
10	JC63-01940A	COVER-SAW	1	SNA	

5.15 LSU Frame

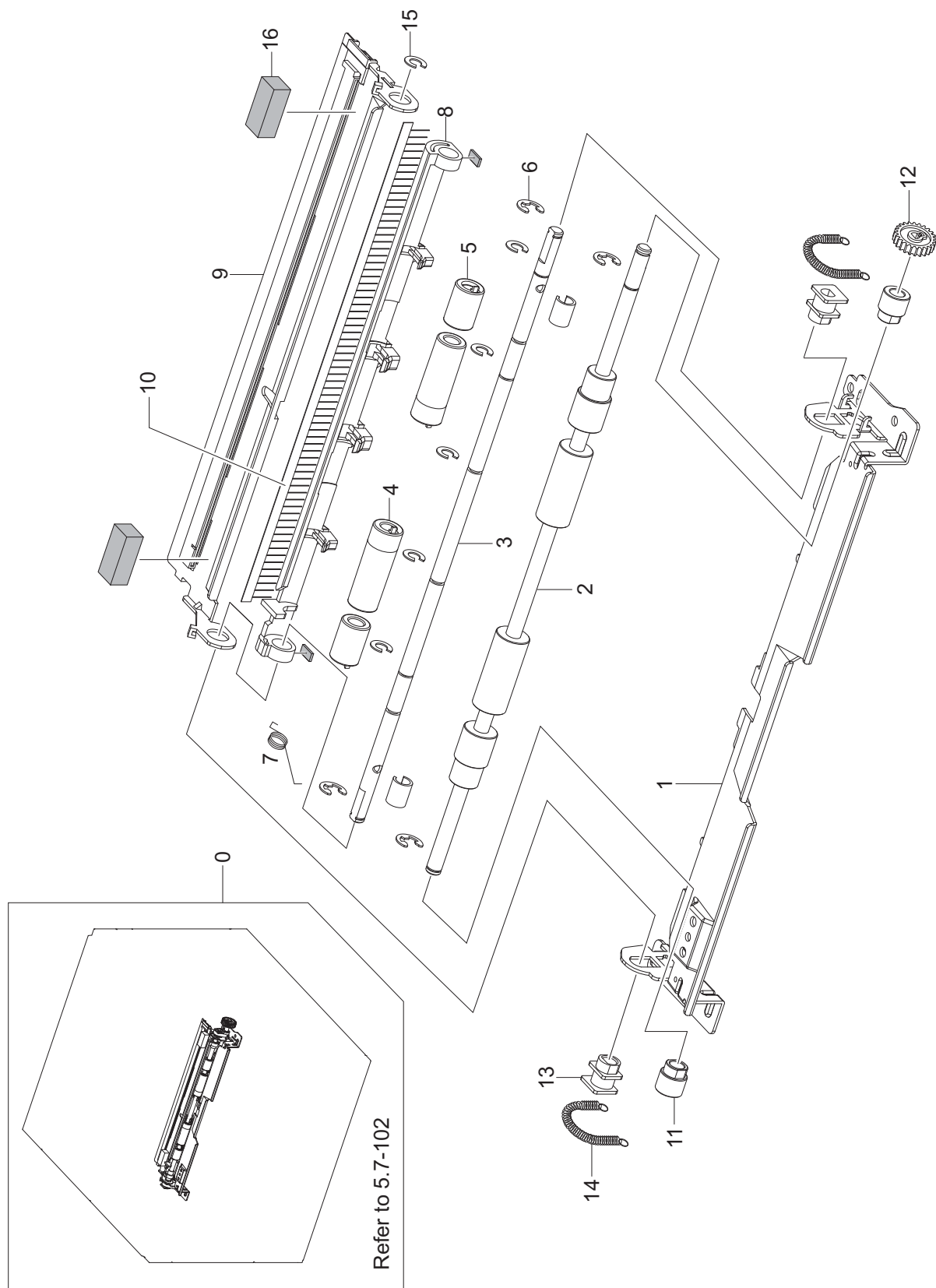


LSU Frame Parts List

SA : SERVICEAVAILABLE, SNA : SERVICE not AVAILABLE

Drawer#	MFG_code	Description	Q'ty	Service	Remark
0	JC96-03960C	ELA HOU-FRAME_LSU_LO	1	SA	
1	6003-000196	SCREW-TAPTITE	3	SA	
2	JC61-01732A	FRAME-PART_UPPER	1	SNA	
3	JC65-00004B	TERMINAL-DEVE	4	SNA	
4	JC92-02091A	PBA SUB-CRUM_IF	1	SA	
5	JC96-04121B	ELA UNIT-DEVE_ERASER	1	SNA	

5.16 REGI

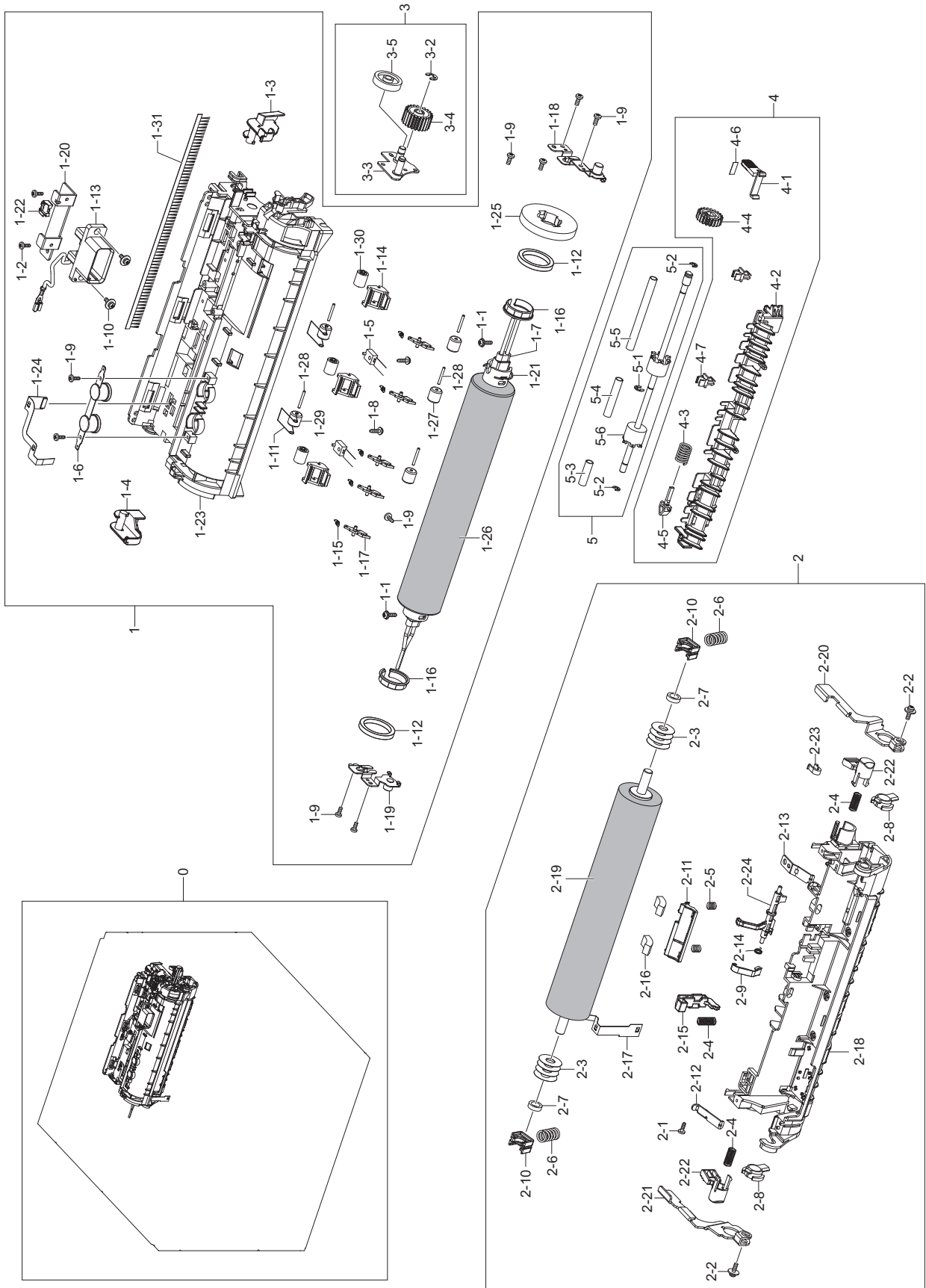


REGI Parts List

SA : SERVICEAVAILABLE, SNA : SERVICE not AVAILABLE

Drawer#	MFG_code	Description	Q'ty	Service	Remark
0	JC96-03959B	ELA UNIT-REGI	1	SA	
1	JC61-00674A	GUIDE-P_REGI LOWER	1	SA	
2	JC66-00450A	ROLLER-REGI LOWER L	1	SNA	
3	JC66-00446A	SHAFT-REGI UPPER	1	SA	
4	JC66-00647A	ROLLER-M_REGI IDLE L25	2	SA	
5	JC66-00648A	ROLLER-M_REGI IDLE S25	2	SA	
6	6044-000231	RING-E	4	SA	
7	6107-001158	SPRING-TS	1	SA	
8	JC72-00998A	PMO-ACTUATOR-REGISHUTTER	1	SA	
9	JC61-00670A	GUIDE-P_REGI PLATE	1	SA	
10	JC75-00095A	MEC-BRUSH ANTISTATIC	1	SA	
11	JC61-01576A	HOLDER-P-REGI	2	SA	
12	JC66-00420A	GEAR-REGI Z25	1	SA	
13	JC61-00669A	BUSH-M-ROLLER REGI U	2	SA	
14	6107-001155	SPRING-ES	2	SA	
15	JC61-01550A	STOPPER-SPACER	6	SNA	
16	JC72-01390A	SPONGE-REGI_PLATE	2	SA	

5.17 Fuser Unit



Fuser Unit Parts List

SA : SERVICEAVAILABLE, SNA : SERVICE not AVAILABLE

Drawer#	MFG_code	Description	Q'ty	Service	Remark
0	JC96-04854A	ELA UNIT FUSER 2LAMP 110V	1	SA	
	JC96-04854B	ELA UNIT FUSER 2LAMP 220V	1	SA	
1	JC96-04913A	ELA UNIT-FUSER_UPPER 110V	1	SNA	
	JC96-04913B	ELA UNIT-FUSER_UPPER 220V	1	SNA	
1-1	6003-000196	SCREW-TAPTITE	2	SA	
1-2	6003-000282	SCREW-TAPTITE	2	SA	
1-3	JC61-02470A	HOLDER-M-LEVER_L	1	SNA	
1-4	JC61-02479A	HOLDER-M-LEVER_R	2	SNA	
	JC68-00408B	LABEL(R)-LV FUSER	1	SNA	
	JC68-01134A	LABEL(P)-BLANK(FUSER)	1	SNA	
	JC68-01581A	LABEL(P)-CAUTION HOT	1	SNA	
1-5	1404-001355	THERMISTOR(DUAL)	1	SA	
1-6	4712-001029	THERMOSTAT	1	SA	
1-7	4713-001233	LAMP-DUAL-266-110V	1	SA	
	4713-001234	LAMP-DUAL-266-110V	1	SA	
1-8	6003-000196	SCREW-TAPTITE	2	SA	
1-9	6003-000282	SCREW-TAPTITE	9	SNA	
1-10	6006-001078	SCREW-TAPTITE	2	SNA	
1-11	6107-001159	SPRING -TS	2	SA	
1-12	6601-001479	BEARING-BALL	2	SA	
1-13	JC39-00747A	HARNESS-FUSER-FU	1	SA	
1-14	JC61-00785A	HOLDER-M-IDLE ROLLER	3	SA	
1-15	JC61-01774A	SPRING ETC-SAPERATION	5	SA	
1-16	JC61-01958A	BUSH-HR	2	SA	
1-17	JC61-02302A	GUIDE-CLAW POLY	5	SA	
1-18	JC61-02451A	BRACKET LAMP-RIGHT	1	SNA	
1-19	JC61-02456A	BRACKET LAMP-LEFT	1	SNA	
1-20	JC61-02509A	BRACKET-DRAWER	1	SNA	
1-21	JC61-02551A	SPRING-ETC-LOCK	1	SNA	
1-22	JC61-02657A	HOLDER-THERMISTOR	1	SA	
1-23	JC63-01741A	COVER-FUSER UP LAMP	1	SNA	
1-24	JC63-01761A	GROUND-FUSER_BRUSH	1	SNA	
1-25	JC66-01847A	GEAR-FUSER_2LAMP	1	SA	
1-26	JC66-01882A	ROLLER-HEAT	1	SA	
1-27	JC66-02013A	ROLLER-EXIT F/UP IDLE	3	SNA	
1-28	JC70-20901A	IEX-SHAFT IDLE_F/UP	5	SA	
1-29	JC72-20902A	PEX-ROLLER F/UP(2)	2	SA	
1-30	JC72-40981A	PMO-ROLLER UPPER DP	3	SA	

Fuser Unit Parts List

SA : SERVICEAVAILABLE, SNA : SERVICE not AVAILABLE

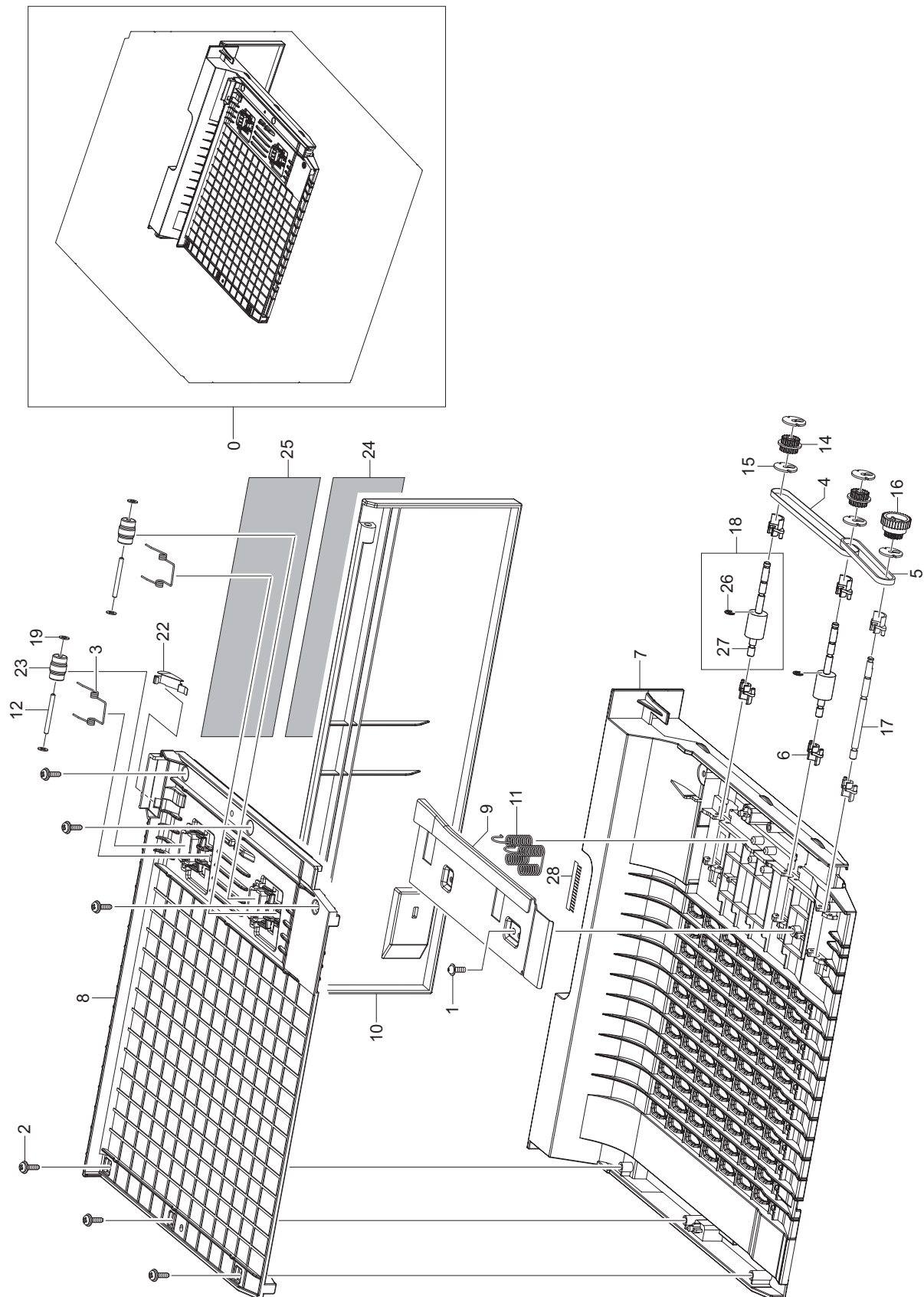
Drawer#	MFG_code	Description	Q'ty	Service	Remark
1-31	JC75-00095A	MEC-BRUSH ANTISTATIC	1	SA	
2	JC97-03092A	MEA UNIT-FUSER LOWER	1	SNA	
2-1	6003-000282	SCREW-TAPTITE	2	SNA	
2-2	6006-001078	SCREW-TAPTITE	2	SNA	
2-3	6031-001533	WASHER-PLAIN	8	SNA	
2-4	6107-001172	SPRING-CS	3	SA	
2-5	6107-001496	SPRING-CS	2	SNA	
2-6	6107-001501	SPRING-CS	2	SNA	
2-7	6601-001389	BEARING-BALL	2	SA	
2-8	JC61-01214A	HOLDER-M-PR SHAFT	2	SNA	
2-9	JC61-01578A	PLATE-P-ACTUATOR COVER	1	SNA	
2-10	JC61-01745A	BUSH-PRESSURE	2	SA	
2-11	JC61-02610A	HOLDER FELT LOWER	1	SNA	
2-12	JC61-02711A	BRACKET-LOWER_LEFT	1	SNA	
2-13	JC61-02712A	BRACKET-LOWER_RIGHT	1	SNA	
2-14	JC61-70903A	SPRING ETC-ACTUATOR	1	SA	
2-15	JC63-00724A	COVER-M-SLIDE SENSOR	1	SNA	
2-16	JC63-00903A	FELT-CLEAN TONER	2	SNA	
2-17	JC63-01744A	GROUND-HR_LAMP	1	SNA	
2-18	JC63-01749A	COVER-FUSER LO LAMP	1	SNA	
2-19	JC66-00931A	ROLLER-PRESSURE	1	SA	
2-20	JC66-01884A	LEVER-P-RELEASE_R	1	SNA	
2-21	JC66-01883A	LEVER-P-RELEASE_L	1	SNA	
2-22	JC67-00102A	CAP-M-FUSER LOCK	2	SNA	
2-23	JC67-00103A	CAP-M-ACTUATOR	1	SNA	
2-24	JC72-01358A	PMO-ACTUATOR EXIT	1	SNA	
3	JC97-03196A	MEA UNIT-FUSER_BK_G	1	SNA	
3-1	6044-000231	RING-E	1	SA	
3-2	JC61-02548A	BRACKET-P-FUSER	1	SNA	
3-3	JC66-01925A	GEAR-IDLE 23 FUSER	1	SNA	
3-4	JC66-01154A	GEAR-IDLE 25 FUSER	2	SNA	
4	JC97-03197A	MEA UNIT-FUSER_GU_R	1	SNA	
4-1	JC61-01549A	HOLDER-M REAR_LEVER	1	SNA	
4-2	JC61-02546A	GUIDE-REAR LAMP	1	SNA	
4-3	JC61-70932A	SPRING ETC-GUIDE DEVE	1	SA	
4-4	JC66-00854A	GEAR-M-EXIT DUP Z21	1	SA	
4-5	JC67-00111A	CAP-M_ACTUATOR_UP	1	SNA	
4-6	JC68-01633A	LABEL(P)-HOLD RE OPEN	1	SNA	
4-7	JC72-00382A	PMO-BUSHING TX	2	SNA	

Fuser Unit Parts List

SA : SERVICEAVAILABLE, SNA : SERVICE not AVAILABLE

Drawer#	MFG_code	Description	Q'ty	Service	Remark
5	JC97-03216A	MEA UNIT-EXIT F_UP	1	SNA	
4-1	6044-000125	RING-E	1	SC	
4-2	6044-000159	RING-C	2	SA	
4-3	JC62-00313A	TUBE-SMALL_F_UP	1	SNA	
4-4	JC62-00314A	TUBE-MIDDLE_F_UP	1	SNA	
4-5	JC62-00315A	TUBE-LARGE_F_UP	1	SNA	
4-6	JC66-01967A	ROLLER-EXIT_F/UP	1	SNA	
4-5	JC62-00315A	TUBE-LARGE_F_UP	1	SNA	
4-6	JC66-01967A	ROLLER-EXIT_F/UP	1	SNA	

5.18 Duplex Unit

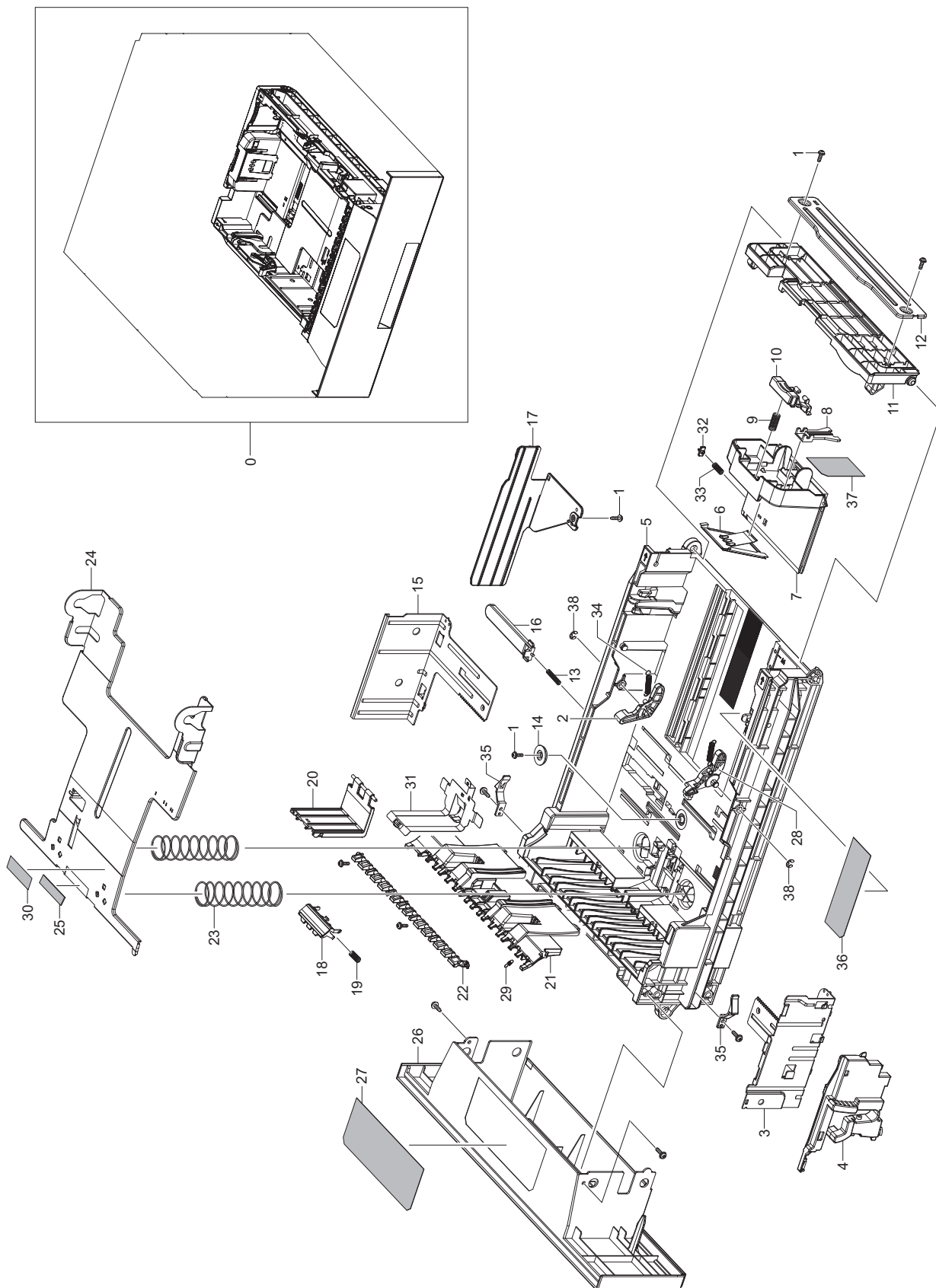


Duplex Unit Parts List

SA : SERVICEAVAILABLE, SNA : SERVICE not AVAILABLE

Drawer#	MFG_code	Description	Q'ty	Service	Remark
0	JC96-05126A	ELA UNIT-DUPLEX	1	SA	
1	6002-000440	SCREW-TAPPING	1	SNA	
2	6003-000196	SCREW-TAPTITE	6	SA	
3	6107-001156	SPRING-TS	2	SA	
4	6602-001084	BELT-TIMING GEAR	1	SA	
5	6602-001588	BELT-TIMING GEAR	1	SA	
6	JC61-00665A	BUSH-M-FEED, DUP	6	SA	
7	JC61-02615A	FRAME-DUPLEX	1	SNA	
8	JC61-02616A	GUIDE-UPPER	1	SNA	
9	JC61-02617A	BRACKET-GUIDE ALIGN	1	SNA	
10	JC63-01942A	COVER-CASSETTE	1	SNA	
11	JC65-00017A	TERMINAL-P-GND DUP	2	SA	
12	JC66-00444A	SHAFT-IDLE ROLL, DUP	2	SA	
14	JC66-00899A	PULLEY-18_DUP	2	SA	
15	JC66-00900A	PULLEY-M-18-DUMMY_DUP	5	SA	
16	JC66-01971A	GEAR-DUPLEX	1	SNA	
17	JC66-01977A	SHAFT-DUPLEX DRIVE	1	SNA	
18	JC96-04983A	ELA UNIT-ROLLER_DUP	2	SA	
19	JK72-00058A	PCT-SILP WASHER	4	SNA	
22	JC61-02620A	GUIDE-ALIGN SIDE	1	SNA	
23	JC66-02093A	ROLLER-IDLE DUPLEX	2	SNA	
24	JC68-02222A	LABEL-PTT	1	SNA	
25	JC68-02223A	LABEL-INFORMATION	1	SNA	
26	6044-000107	RING-C	1	SNA	
27	JC66-00901A	ROLLER-FEED_DUP	1	SA	
28	JC67-00205A	BRUSH-DUPLEX	2	SNA	

5.19 Cassette Unit

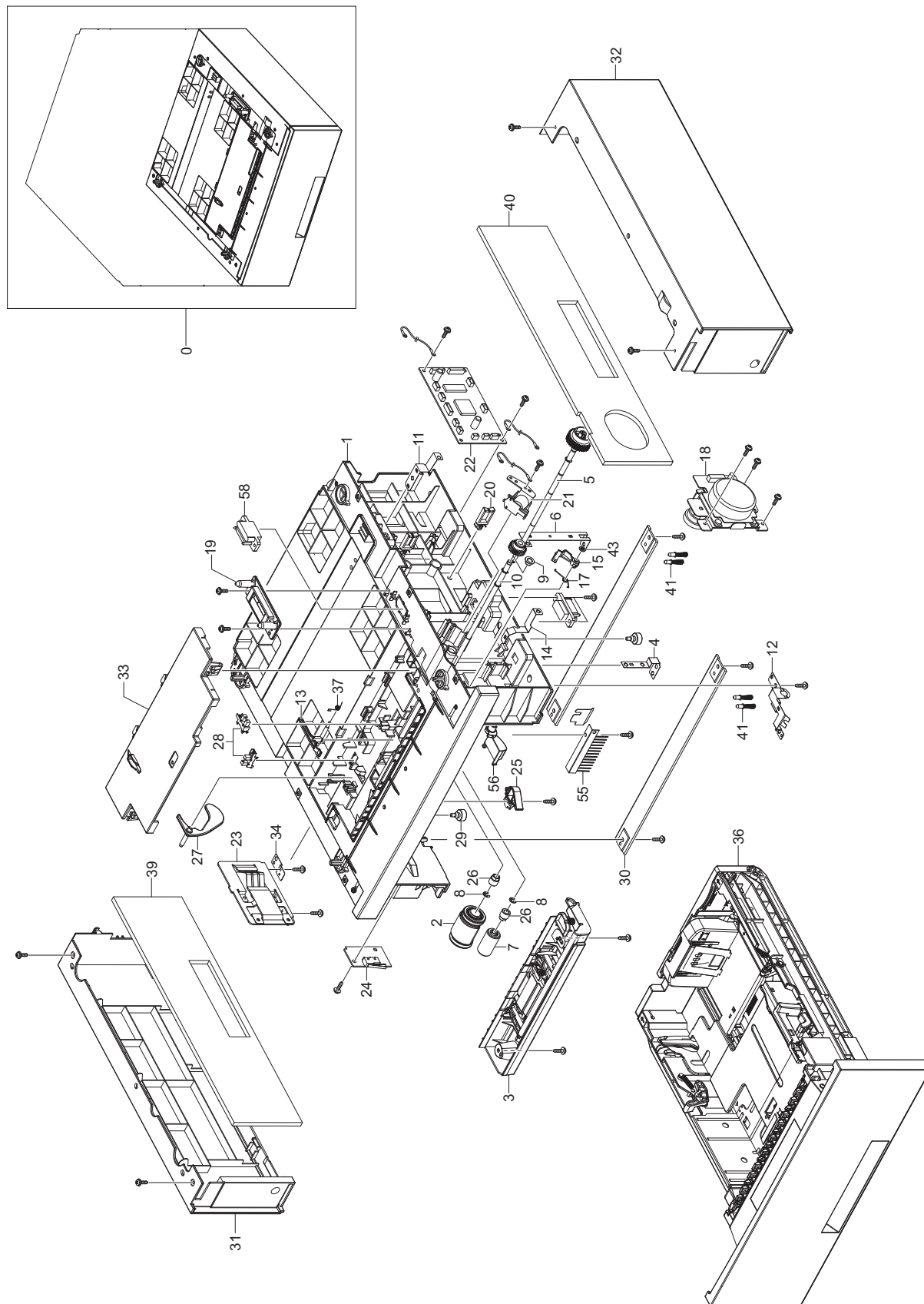


Cassette Unit Parts List

SA : SERVICEAVAILABLE, SNA : SERVICE not AVAILABLE

Drawer#	MFG_code	Description	Q'ty	Service	Remark
0	JC96-05151A	ELA UNIT-CASSETTE	1	SA	
1	6002-000440	SCREW-TAPPING	10	SNA	
2	JC66-01981A	LINK-DOWN_L	1	SA	
3	JC61-01244A	GUIDE-P-SIDE_R	1	SNA	
4	JC61-01225D	GUIDE-M_SIDE LOCK	1	SA	
5	JC61-02612A	FRAME-CASSETTE	1	SA	
6	JC61-00751A	GUIDE-P-REAR PAPER CST	1	SA	
7	JC61-02649A	GUIDE-REAR_PAPER	1	SA	
8	JC61-02646A	GUIDE-LOCK_REAR	1	SA	
9	JC61-00414A	SPRING ETC-GUIDE PAPER	1	SA	
10	JC64-00190D	KNOB-M_REAR	1	SNA	
11	JC61-02647A	GUIDE-EXTENTION_CST	1	SA	
12	JC61-01223A	BRACKET-P-EXTENTION	1	SNA	
13	JG61-70531A	SPRING ETC-LOCKER,PLATE	1	SA	
14	JG66-40003A	GEAR-PINION	1	SA	
15	JC61-02765A	GUIDE-SIDE_L	1	SA	
16	JC72-41210A	PMO-LOCKER PLATE	1	SA	
17	JC61-02750A	GUIDE-M-PAPER SIZE	1	SNA	
18	JC97-03267A	MEA UNIT-HOLDER PAD	1	SA	
19	JC61-70911A	SPRING ETC-EXIT ROLL FD	1	SA	
20	JC61-01228A	HOLDER-M-PAD_HOUSING	1	SNA	
21	JC61-01724B	GUIDE-PAPER	1	SNA	
22	JC64-00268B	SHUTTER-PATH_CST	1	SNA	
23	JC61-00455A	SPRING ETC-PLATE K/UP	2	SA	
24	JC61-02766A	PLATE-P-KNOCK UP	1	SA	
25	JC73-00141A	RPR-PAD CASSETTE	1	SA	
26	JC64-00418A	HANDLE-CASSETTE	1	SA	
27	JC68-01552A	LABEL(R)-CASSETTE	1	SNA	
28	JC66-01841A	LINK-DOWN_R	1	SNA	
29	JC61-00064A	SPRING ETC-CLAW	1	SA	
30	JF68-10532B	LABEL(P)-BAR CODE	1	SNA	
31	JC63-01206A	GROUND-CASSETTE	1	SA	
32	JC64-00426A	KNOB-GUIDE_REAR	1	SA	
33	JC61-00013A	SPRING ETC-PAD	1	SNA	
34	JC61-70913A	SPRING ETC-KNOCK UP MP	2	SA	
35	JC72-00983A	PMO-LOCKER CST	2	SA	
36	JC68-02159A	LABEL-FUNCTION	1	SNA	
37	JC68-02160A	LABEL-FUNCTION	1	SNA	
38	6044-000125	RING-E	2	SC	

5.20 SCF Unit



SCF Unit Parts List

SA : SERVICEAVAILABLE, SNA : SERVICE not AVAILABLE

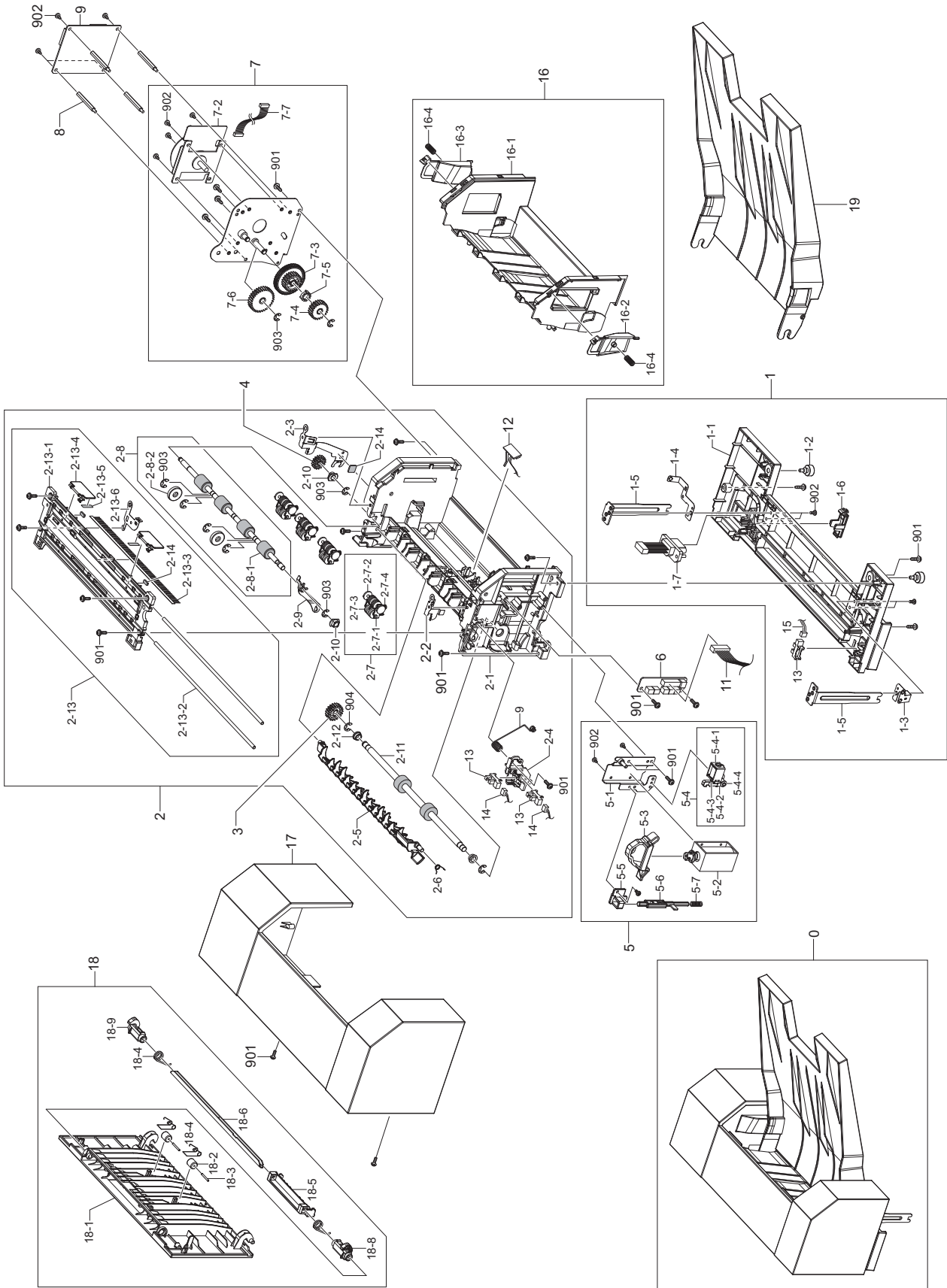
Drawer#	MFG_code	Description	Q'ty	Service	Remark
0	JC96-05159A	ELA UNIT-SCF	1	SNA	
1	JC61-01247D	FRAME-M_SCF	1	SA	
2	JC97-02233A	MEA UNIT-P/U_HOUSING	1	SA	
3	JC96-05161A	ELA UNIT-RETARD_SCF	1	SA	
4	JC63-01136A	GROUND-FRONT_BOTTOM	1	SNA	
5	JC66-01277A	SHAFT-PICK UP_SCF	1	SA	
6	JC63-01140A	GROUND-P-REAR_BOTTOM	1	SNA	
7	JC81-03458A	AS-UNIT_FEED1	1	SA	
8	6044-000125	RING-E	7	SC	
9	JC66-10202A	BEARING-PICK UP	2	SA	
10	JC66-01990A	SHAFT-FEED_SCF	1	SA	
11	JC63-01138A	GROUND-REAR_TOP	1	SNA	
12	JC63-01141A	GROUND-P-SHAFT	1	SNA	
13	JC66-01275A	ACTUATOR-FEED	1	SA	
14	JC63-01137A	GROUND-P-MOTOR_SCF	1	SNA	
15	JC61-01743A	HOLDER-M-PICK_UP_SCF	1	SNA	
16	JC97-03228A	MEA-GEAR PICK UP	1	SA	
17	6107-001170	SPRING-TS	1	SA	
18	JC96-05106A	ELA-SCF BLDC	1	SA	
19	JC61-01742A	HOLDER-CONNECTOR_SCF	1	SA	
20	6502-001093	CABLE CLAMP	2	SA	
21	JC33-00012A	SOLENOID-MAIN	1	SNA	
22	JC92-02094A	PBA SUB-SCF	1	SA	
23	JC96-02127B	ELA HOU-CST SENSOR HAWK16	1	SA	
24	JC92-02093A	PBA SUB-SCF_COVER	1	SA	
25	JC72-01355A	PMO-REMOVE_LOCK_CST	1	SA	
26	JC61-01579A	HOLDER-P-REGI	2	SNA	
27	JC72-00992A	PMO-ACTUATOR EMPTY,SCF	1	SA	
28	0604-001095	PHOTO-INTERRUPTER	1	SA	
29	JC61-40001A	FOOT-ML80	2	SA	
30	JC71-00042A	BAR-P_CROSS BOTTOM	2	SA	
31	JC63-01944A	COVER-LEFT_SCF	1	SA	
32	JC63-01943A	COVER-RIGHT_SCF	1	SA	
33	JC63-00686C	COVER-M-DUMMY_SCF	1	SA	
34	JC63-00675A	GROUND-P-PAPER_SIZE	1	SNA	
35	JC72-01362A	PMO- M CAM_PICK_UP	1	SNA	
36	JC96-05160A	ELA UNIT-CASSETTE_SCF	1	SA	
37	6107-001261	SPRING-TS	1	SA	
38	6003-000196	SCREW-TAPTITE	27	SA	

SCF Unit Parts List

SA : SERVICEAVAILABLE, SNA : SERVICE not AVAILABLE

Drawer#	MFG_code	Description	Q'ty	Service	Remark
39	JC72-01369A	SPONGE-COVER_L	1	SNA	
40	JC72-01370A	SPONGE-COVER_R	1	SNA	
41	JC97-01401A	MEA UNIT-TERMINAL_TR	4	SA	
42	JC97-03270A	MEA-GEAR ONEWAY	1	SA	
43	6044-000001	RING-CS	1	SNA	
44	JC63-01163A	SHEET-GUIDE_PATH	1	SA	
45	JC39-00990A	CBF HARNESS-S_P_SIZE	1	SNA	
46	JB39-40532A	CBF HARNESS-OPE	2	SA	
47	JC39-00989A	CBF HARNESS-S_EMPTY	1	SNA	
49	JC39-00973A	CBF HARNESS-SCF	2	SNA	
50	JC39-00975B	CBF HARNESS-MOTOR	1	SA	
51	JC68-02164E	MANUAL-INSTALL	1	SNA	
55	JC67-00204A	BRUSH-ANTISTATIC_PICK	1	SA	
56	JC66-01982A	LINK-DOWN_R	1	SA	
58					

5.21 Expander



Expander Parts List

SA : SERVICEAVAILABLE, SNA : SERVICE not AVAILABLE

Drawer#	MFG_code	Description	Q'ty	Service	Remark
0	MAS-0001A	UNIT-EXPANDER	1	SA	
1	"	MAS-FRME-BOTTOM_EXP	1	SA	
1-1	MMO-10003A	FRAME-BOTTOM-EXP	1	SNA	
1-2	JC61-40001A	FPPT ML80	2	SNA	
1-3	MPR-10004A	GROUND-SOLENOID	1	SNA	
1-4	MPR-10005A	GROUND-MOTOR	1	SNA	
1-5	MPR-10003A	POLE-STACKER	2	SNA	
1-6	MMO-10012A	CAP GEAR	1	SNA	
1-7	JC81-06335A	AS-CONNECTOR MAIN EXP	1	SNA	
2	"	MAS FRAME MAIN_EXP	1	SA	
2-1	MMO-10001A	FRAME-MAIN-EXP	1	SNA	
2-2	MPR-10006A	GROUND-SHAFT-L	1	SNA	
2-3	MPR-10007A	GROUND-SHAFT-R	1	SNA	
2-4	MMO-10009A	HOLDER-DEFLECTOR	1	SNA	
2-5	JC61-02559A	GUIDE-DEFLECTOR	1	SNA	
2-6	6107-001500	SPRING-TS	1	SNA	
2-7	JC97-01034A	MEA RACK-EXIT ROLLER	4	SA	
2-7-1	JC72-41006A	HOLDER EXIT ROLL	4	SNA	
2-7-2	JC72-41007A	ROLLER FD F	4	SNA	
2-7-3	JC72-41008A	ROLLER FD R	4	SNA	
2-7-4	JC61-70911A	SPRING ETC-EXIT ROLL FD	4	SNA	
2-8	"	ASS'Y ROLLER-FEED2	1	SNA	
2-8-1	MCU-20002A	ROLLER-FEED-2	1	SNA	
2-8-2	JC81-06328A	AS-ROLL DECURL	2	SNA	
2-9	JC72-01310A	ACTUATOR-BIN FULL	1	SA	
2-10	JC61-00423A	BUSH-6_D	2	SNA	
2-11	MCU-20001A	ROLLER-FEED1	1	SA	
2-12	JC61-00772A	BUSH-DEV DR	2	SNA	
2-13	MAS-00003A	ASS'Y GUIDE-PATH TOP	1	SNA	
2-13-1	MMO-10002A	GUIDE PATH TOP	1	SNA	
2-13-2	MCU-10003A	SHAFT-SUPPORT TOP	2	SNA	
2-13-3	JC75-00095A	BRUSH ANTISTATIC	1	SNA	
2-13-4	JC66-00902D	LEVER STACKER	2	SNA	
2-13-5	MMO-30001A	FILM-LEVER STACKER	2	SNA	
2-13-6	MPR-10008A	GROUND-TOP	1	SNA	
2-14	MRU-30001A	SPONGE-DAMPER	1	SNA	
3	JC66-00854A	GEAR-M-EXIT DUP Z21	1	SNA	
4	JC66-00674A	GEAR-M-EXIT Z17	1	SNA	
5	JC81-06329A	AS-UNIT SOLENOID	1	SNA	

Expander Parts List

SA : SERVICEAVAILABLE, SNA : SERVICE not AVAILABLE

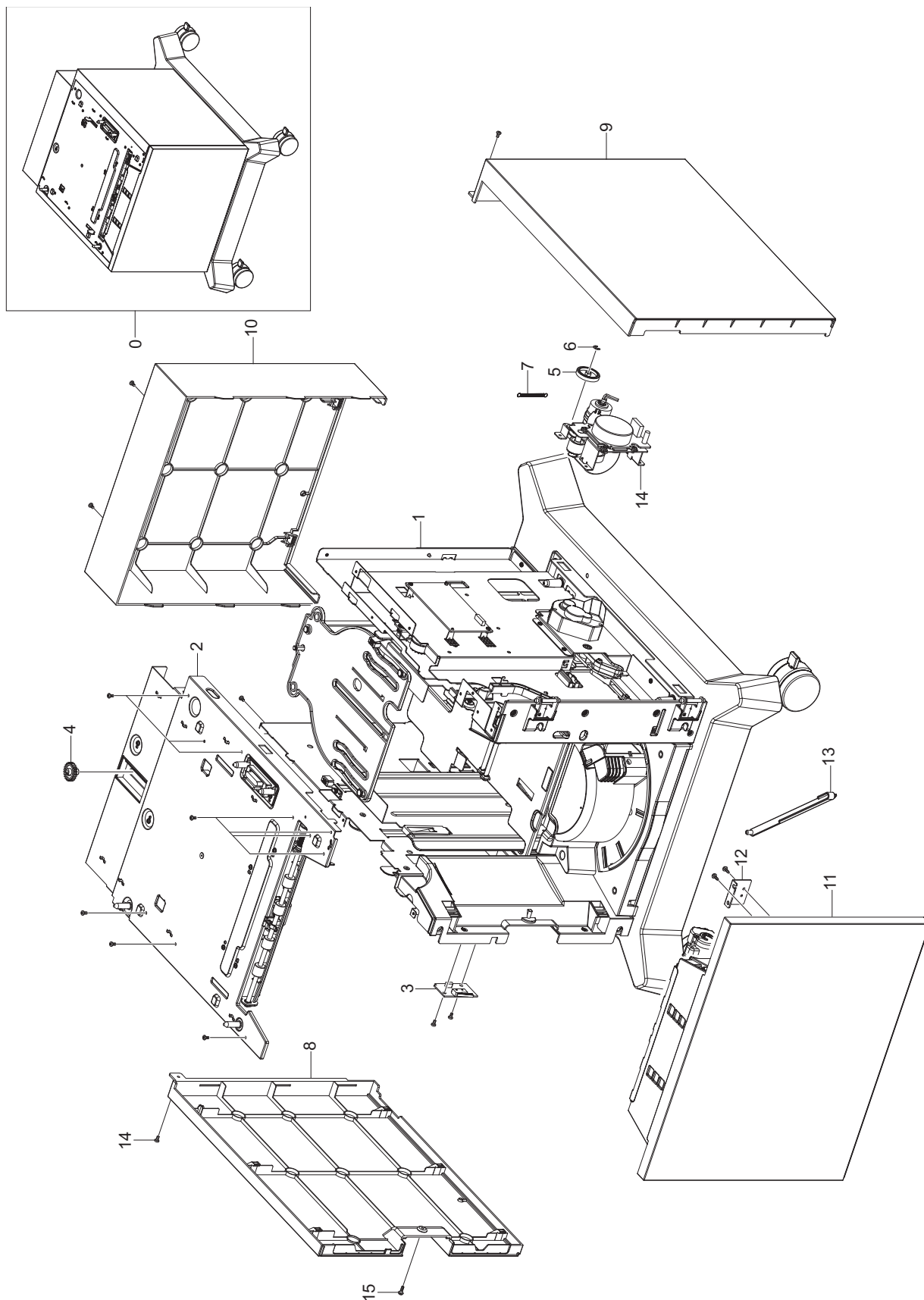
Drawer#	MFG_code	Description	Q'ty	Service	Remark
5-1	MAS-10002A	ASS'Y-BRKT SOLENOID	1	SNA	
5-2	JC33-00008A	SOLENOID	1	SNA	
5-3	MMO-10008A	LEVER SOLENOID	1	SNA	
5-4	JC96-04622A	ASSY-SOLENOID PICK-UP	1	SNA	
5-4-1	JC33-00023A	SOLENOID PICK-UP	1	SNA	
5-4-2	JC66-01470A	LEVER PICK-UP	1	SNA	
5-4-3	6107-001348	SPRING-CS	1	SNA	
5-4-4	6031-001602	WASHER-PLAIN	1	SNA	
5-5	MMO-10010A	HOLDER GUIDE PUSH	1	SNA	
5-6	MMO-10011A	LEVER PUSH DEFLECTOR	1	SNA	
5-7	MSP-20001A	SPRING-CS	1	SNA	
6	JC81-06332A	AS-SUB-BOARD	1	SNA	
7	JC81-06334A	AS-UNIT-MOTOR-EXP	1	SNA	
7-1	MAS-00002A	ASS'Y-BRKT MOTOR-D	1	SNA	
7-1-1	MPR-10001A	BRKT MOTOR	1	SNA	
7-1-2	""	STUD GEAR 79_23	1	SNA	
7-1-3	""	STUD GEAR 33 EXIT	1	SNA	
7-2	JC31-00090A	MOTOR BLDC	1	SNA	
7-3	JC81-06337A	AS-GEAR RDCN 79_23	1	SNA	
7-4	JC81-06338A	AS-GEAR RDCN 23	1	SNA	
7-5	JB72-00345A	PICK-UP CLUTCH SUB	1	SNA	
7-6	JC66-00425A	GEAR-IDLE 33	1	SNA	
7-7	EHA-10002A	HARNESS MOTOR	1	SNA	
8	COM-10001A	BOLT STAND	4	SNA	
9	MSP-40001A	GROUND-SPRING	1	SNA	
10	JC81-06333A	AS-MAIN-BOARD	1	SNA	
11	EHA-10001A	HARNESS MAIN SUB	1	SNA	
12	JC92-01262C	PBA-SUB-FEED SENSOR	1	SNA	
13	0604-001095	PHOTO- INTERRUPTER	3	SNA	
14	EHA-10003A	HARNESS BIN-FULL/OPEN	1	SNA	
15	EHA-10004A	HARNESS GATE	1	SNA	
16	MAS-10004A	ASS'Y COVER EXIT	1	SNA	
16-1	MMO-10004A	COVER-EXIT-EXP	1	SNA	
16-2	MMO-10014A	GUIDE PAPER ALINE-L	1	SNA	
16-3	MMO-10015A	GUIDE PAPER ALINE-R	1	SNA	
16-4	MSP-20002A	SPRING-CS, ALINE	2	SNA	
17	MMO-10005A	COVER-MAIN-EXP	1	SNA	
18	JC81-06330A	AS-UNIT-COVER-REAR	1	SNA	
18-1	MMO-10006A	COVER-REAR	1	SNA	

Expander Parts List

SA : SERVICEAVAILABLE, SNA : SERVICE not AVAILABLE

Drawer#	MFG_code	Description	Q'ty	Service	Remark
18-2	JC72-20902A	ST-PEX_ROLLER_F_UP	2	SNA	
18-3	JC70-20901A	ST-IEX-SHAFT-IDLE_F_UP	2	SNA	
18-4	6107-001160	ST-SPRING-TS	2	SNA	
18-5	JC64-00420A	HANDLE-M_COVER REAR	1	SNA	
18-6	JC61-01404A	BRACKET-P-HANDLE SCF	1	SNA	
18-7	MSP-30001A	SPRING-TS HANDLE	2	SNA	
18-8	JC64-00423A	LEVER-M-REAR LOCK_L	1	SNA	
18-9	JC64-00424A	LEVER-M-REAR LOCK_R	1	SNA	
19	JC81-06331A	AS-STACKER-EXP	1	SNA	
901	6003-000196	SCREW-TAPTITE	20	SNA	
902	6003-00269	SCREW-TAPTITE (M3X6)...	15	SNA	
903	"	E-RING, 5PI	8	SNA	
904	"	E-RING, 6PI	2	SNA	
905	"	E-RING, 4PI	0	SNA	

5.22 Main HCF

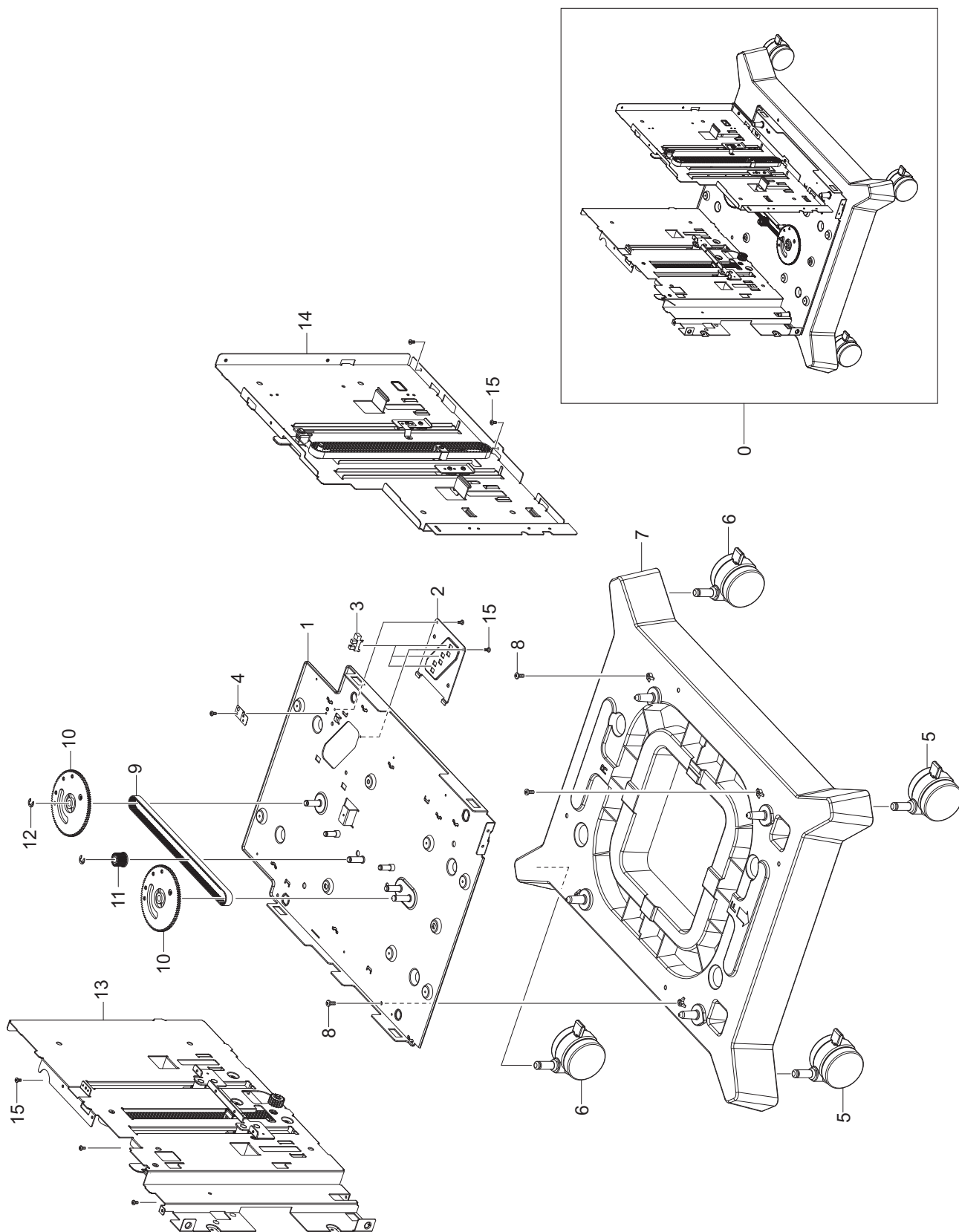


Main_HCF Parts List

SA : SERVICEAVAILABLE, SNA : SERVICE not AVAILABLE

Drawer#	MFG_code	Description	Q'ty	Service	Remark
0	JC96-05232A	ELA HOU-L-HCF	1	SNA	
1		SUB PLATE-BOTTOM_HCF	1	SNA	
2		ELA HOU-UPPER_HCF	1	SNA	
3	JC92-01686A	PBA SUB-SCF_COVEROPEN	1	SNA	
4		GEAR-GUIDE REAR	1	SNA	
5	JC66-00974A	GEAR-M_FORWARD	1	SNA	
6	6044-000125	RING-E(ID4)	1	SC	
7	6107-001259	SPRING-ES	1	SNA	
8		COVER-SIDE L	1	SNA	
9		COVER-SIDE R	1	SNA	
10		COVER-REAR	1	SNA	
11		MEA UNIT-DOOR FRONT	1	SNA	
12		BRKT-HINGE	1	SNA	
13		LINK-DOOR OPEN	1	SNA	
14		ELA HOU-HCF DRIVE	1	SNA	
15	6003-000269	SCREW-TAPTITE (M3X6)	16	SA	
16	6002-000440	SCREW-TAPTITE (M3X8)	5	SNA	

5.23 HOU-L HCF1

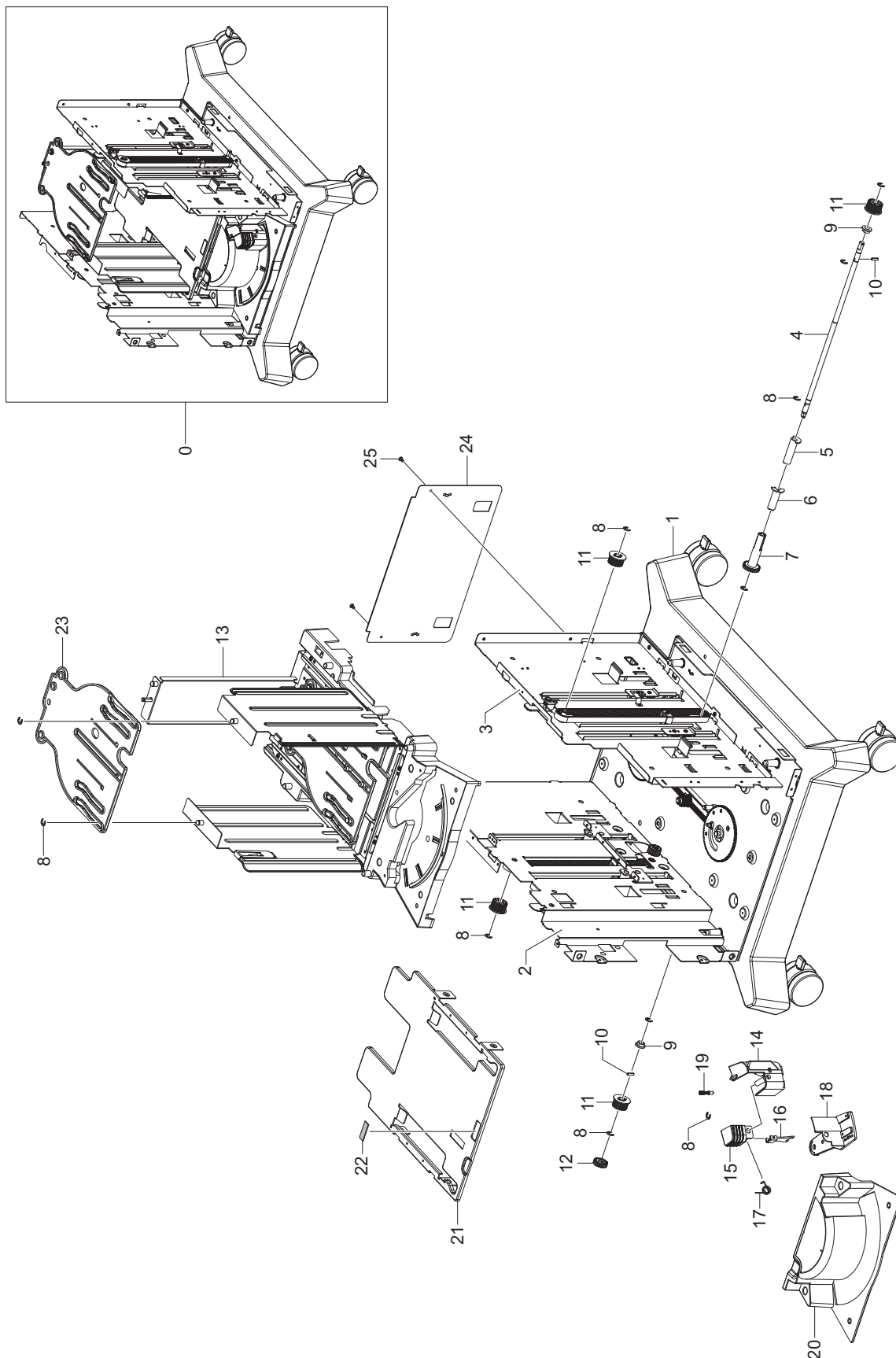


HOU-L_HCF1 Parts List

SA : SERVICEAVAILABLE, SNA : SERVICE not AVAILABLE

Drawer#	MFG_code	Description	Q'ty	Service	Remark
0		ELA HOU-L-HCF(1)	1	SNA	
1		PLATE-BOTTOM	1	SNA	
2		BRKT-HOLDER SENSOR	1	SNA	
3	0604-001095	PHOTO-INTERRUPTER	3	SA	
4	JC63-00675A	GROUND-P-PAPER_SIZE	1	SNA	
5		CASTER-M01030	2	SNA	
6		CASTER-M01030	2	SNA	
7		STABILITY-STAND_DELL	1	SNA	
8	6001-000357	SCREW-TAPPING (M4X10)	4	SNA	
9	JC81-06072A	TIMING BELT_S3M	1	SNA	
10		GEAR-PULLEY_FRONT	2	SNA	
11		PULLEY-UPPER BELT	1	SNA	
12	6044-000129	RING-E (ID6)	2	SNA	
13		SUB-LIFT LEFT	1	SNA	
14		SUB-LIFT RIGHT	1	SNA	
15	6003-000269	SCREW-TAPTITE (M3X6)	8	SA	

5.24 HOU-L HCF2

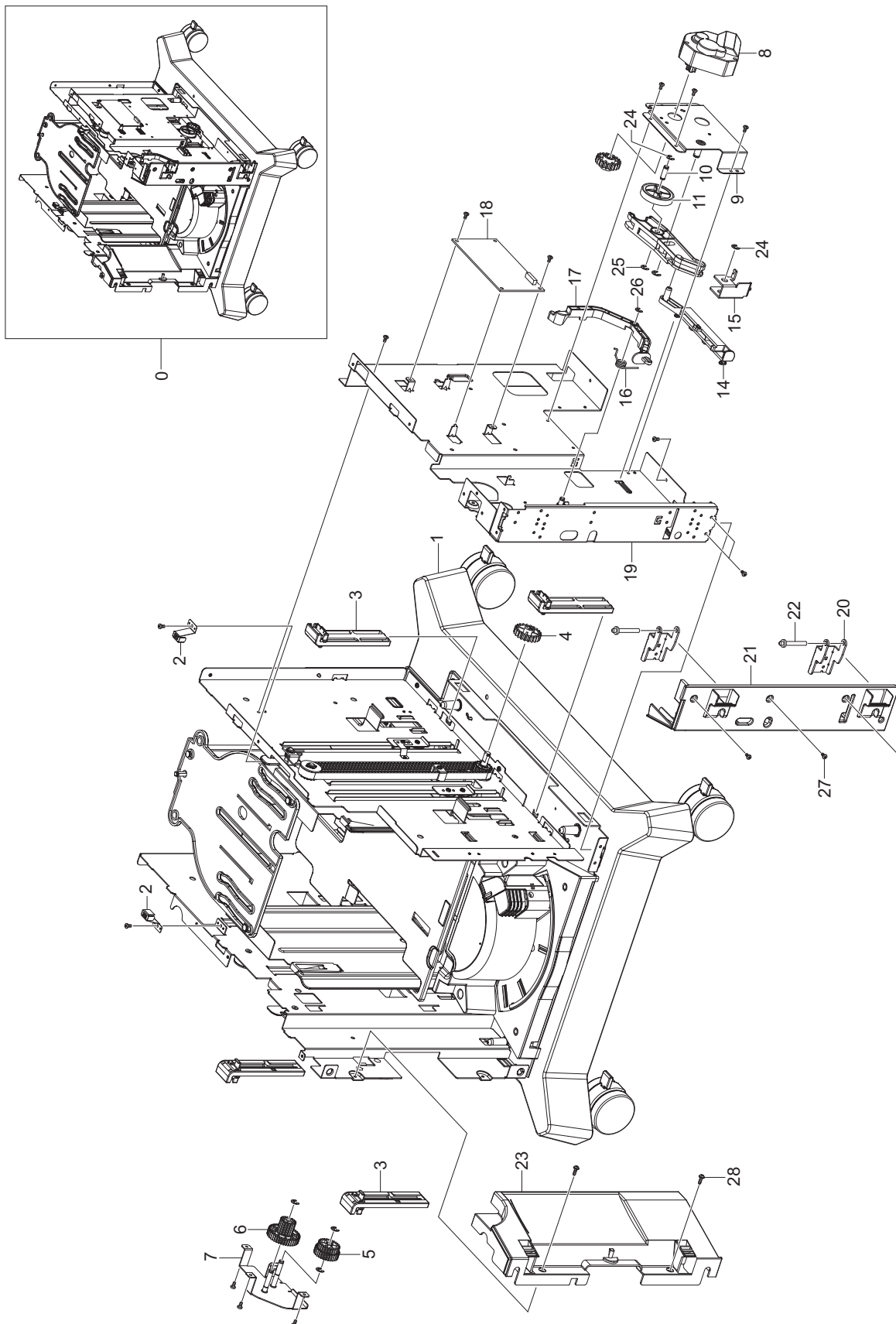


HOU-L_HCF2 Parts List

SA : SERVICEAVAILABLE, SNA : SERVICE not AVAILABLE

Drawer#	MFG_code	Description	Q'ty	Service	Remark
0		ELA HOU-L-HCF(2)	1	SNA	
1		SUB PLATE-BOTTOM_HCF	1	SNA	
2		SUB-LIFT LEFT	1	SNA	
3		SUB-LIFT RIGHT	1	SNA	
4		SHAFT-PLATE LEVER	1	SNA	
5		ACTUATOR-PAPER CAPACITY_A	1	SNA	
6		ACTUATOR-PAPER CAPACITY_B	1	SNA	
7		GEAR-SHAFT_PC	1	SNA	
8	6044-000129	RING-E (ID6)	11	SNA	
9	JC61-00426A	BUSH-8/5	2	SNA	
10		SPRING-PIN PULLEY	2	SNA	
11		PULLEY-LOWER BELT	4	SNA	
12	JC66-00854A	GEAR-EXIT DUP Z21	1	SA	
13	TBD	ELA UNIT-CASSETTE_HCF	1	SNA	
14		GUIDE-HANDLE	1	SNA	
15		KNOB-FRONT	1	SNA	
16	JC61-00267A	GUIDE-M_LOCK A	1	SNA	
17		SPRING-TS_NV	1	SNA	
18		HOLDER-GUIDE HANDLE	1	SNA	
19	JC97-01401A	MEA UNIT-TERMINAL:TR	1	SA	
20		COVER-INNER FRONT	1	SNA	
21		PLATE-KNOCK UP	1	SNA	
22	JC69-00494A	RPR PAD MP PLUS	1	SNA	
23		GUIDE-SIDE RAIL	1	SNA	
24		PLATE-REAR	1	SNA	
25	6003-000269	SCREW-TAPTITE M3, L6	2	SA	

5.25 HOU-L HCF3

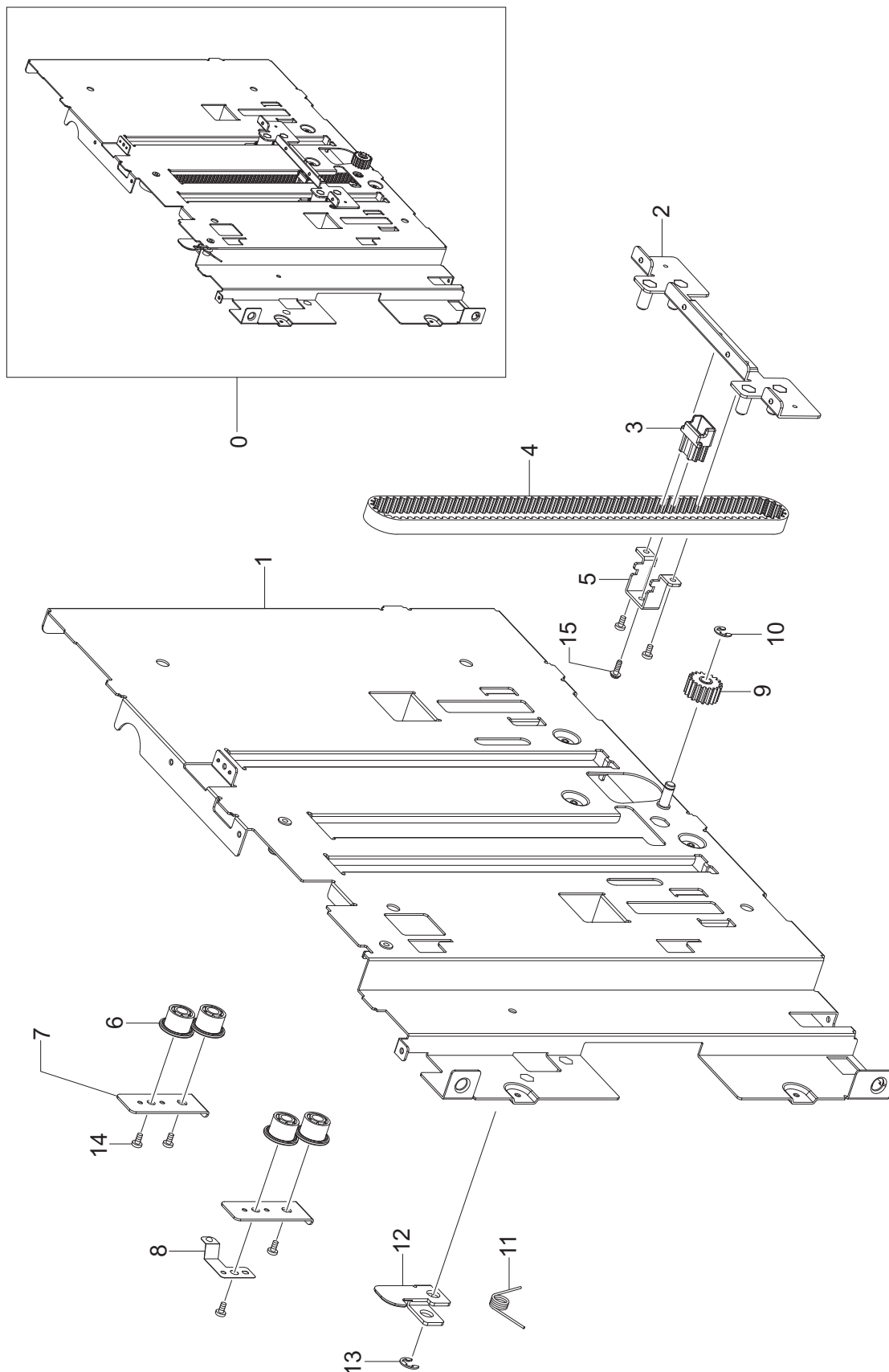


HOU-L_HCF3 Parts List

SA : SERVICEAVAILABLE, SNA : SERVICE not AVAILABLE

Drawer#	MFG_code	Description	Q'ty	Service	Remark
0		ELA HOU-L-HCF(3)	1	SNA	
1		SUB PLATE-BOTTOM_HCF	1	SNA	
2	JC70-11028A	IPR-GROUND-TOP	2	SNA	
3		AS-UNIT SPRING ROLL	4	SNA	
4		GEAR-LIFT	1	SNA	
5	JC66-00856A	GEAR-M-RDCN EXIT	1	SNA	
6		GEAR-REDUCTION_PC	1	SNA	
7		BRKT-GEAR-REDUCTION	1	SNA	
8	JC31-00109A	AS-MOTOR GEARED	1	SNA	
9		BRKT-MOTOR	1	SNA	
10		SHAFT-GEARED	1	SNA	
11	JC66-00955A	GEAR-M_LIFT COUPLING	1	SNA	
12		GUIDE-GEARED	1	SNA	
13		GEAR-COUPLING	1	SNA	
14		LEVER-MOTOR	1	SNA	
15		BRKT-LEVER-MOTOR	1	SNA	
16		SPRING-TS	1	SNA	
17		LEVER-ARM FRICTION	1	SNA	
18		PCB-MAIN	1	SNA	
19		PLATE-SIDE R	1	SNA	
20		PLATE-HINGE BRKT	2	SNA	
21		COVER-DUMMY R	1	SNA	
22		SHAFT-HINGE DOOR	2	SNA	
23		COVER-DUMMY L	1	SNA	
24	6044-000231	RING-E (ID5)	3	SA	
25	6044-000129	RING-E (ID6)	1	SNA	
26	6044-000125	RING-E (ID4)	1	SC	
27	6003-000269	SCREW-TAPTITE M3, L6	21	SA	
28	6002-000440	SCREW TAPTITE	5	SNA	

5.26 LIFT L HCF

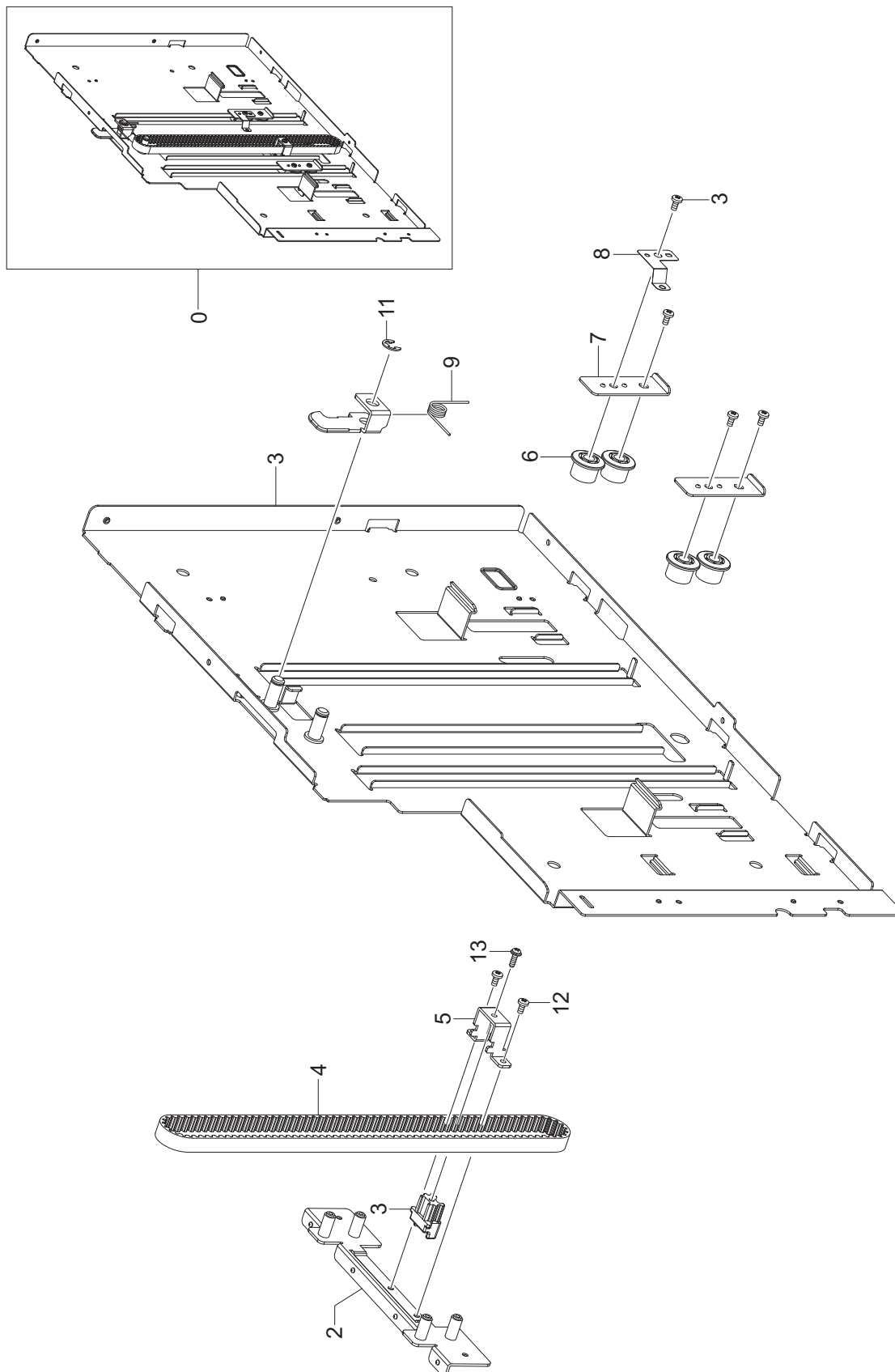


LIFT_L_HCF Parts List

SA : SERVICEAVAILABLE, SNA : SERVICE not AVAILABLE

Drawer#	MFG_code	Description	Q'ty	Service	Remark
0		SUB-LIFT LEFT	1	SNA	
1		PLATE-LIFT L	1	SNA	
2		BRKT-KNOCK UP_L	1	SNA	
3		BELT-STOPPER	1	SNA	
4		TIMING BELT_S5M(625)	1	SNA	
5		BRKT-STOPPER	1	SNA	
6		ROLLER-GUIDE KU	4	SNA	
7		BRKT-GUIDE ROLLER(L)	2	SNA	
8		GROUND-LEFT_HCF	1	SNA	
9	JC66-00100A	GEAR-6	1	SNA	
10	6044-000231	RING-E(ID5)	1	SA	
11		SPRING-TS_DR	1	SNA	
12		HOOK-LOCKER	1	SNA	
13	6044-000129	RING-E(ID6)	1	SNA	
14	6003-000269	SCREW-TAPTITE (M3X6)	4	SA	
15	6002-000440	SCREW-TAPTITE (M3X8)	1	SNA	

5.27 LIFT R HCF

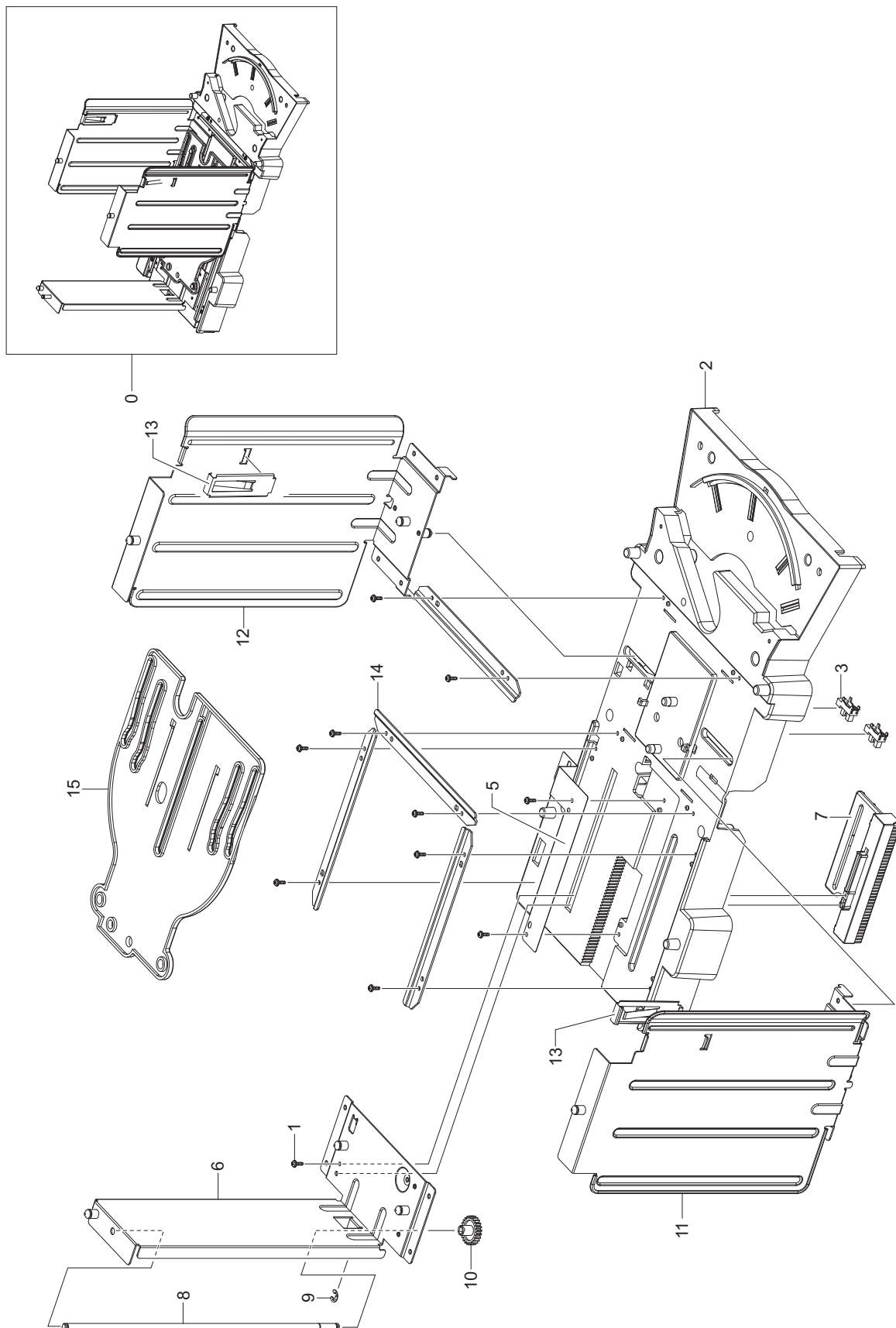


LIFT_R_HCF Parts List

SA : SERVICEAVAILABLE, SNA : SERVICE not AVAILABLE

Drawer#	MFG_code	Description	Q'ty	Service	Remark
0		SUB-LIFT RIGHT	1	SNA	
1		PLATE-LIFT R	1	SNA	
2		BRKT-KNOCK UP_R	1	SNA	
3		BELT-STOPPER	1	SNA	
4		TIMING BELT_S5M(625)	1	SNA	
5		BRKT-STOPPER	1	SNA	
6		ROLLER-GUIDE KU	4	SNA	
7		BRKT-GUIDE ROLLER(L)	2	SNA	
8		GROUND-LEFT_HCF	1	SNA	
9		SPRING-TS_DR	1	SNA	
10		HOOK-LOCKER	1	SNA	
11	6044-000129	RING-E(ID6)	1	SNA	
12	6003-000269	SCREW-TAPTITE (M3X6)	4	SA	
13	6002-000440	SCREW-TAPTITE (M3X8)	1	SNA	

5.28 ASSETTE HCF



ASSETTE_HCF Parts List

SA : SERVICEAVAILABLE, SNA : SERVICE not AVAILABLE

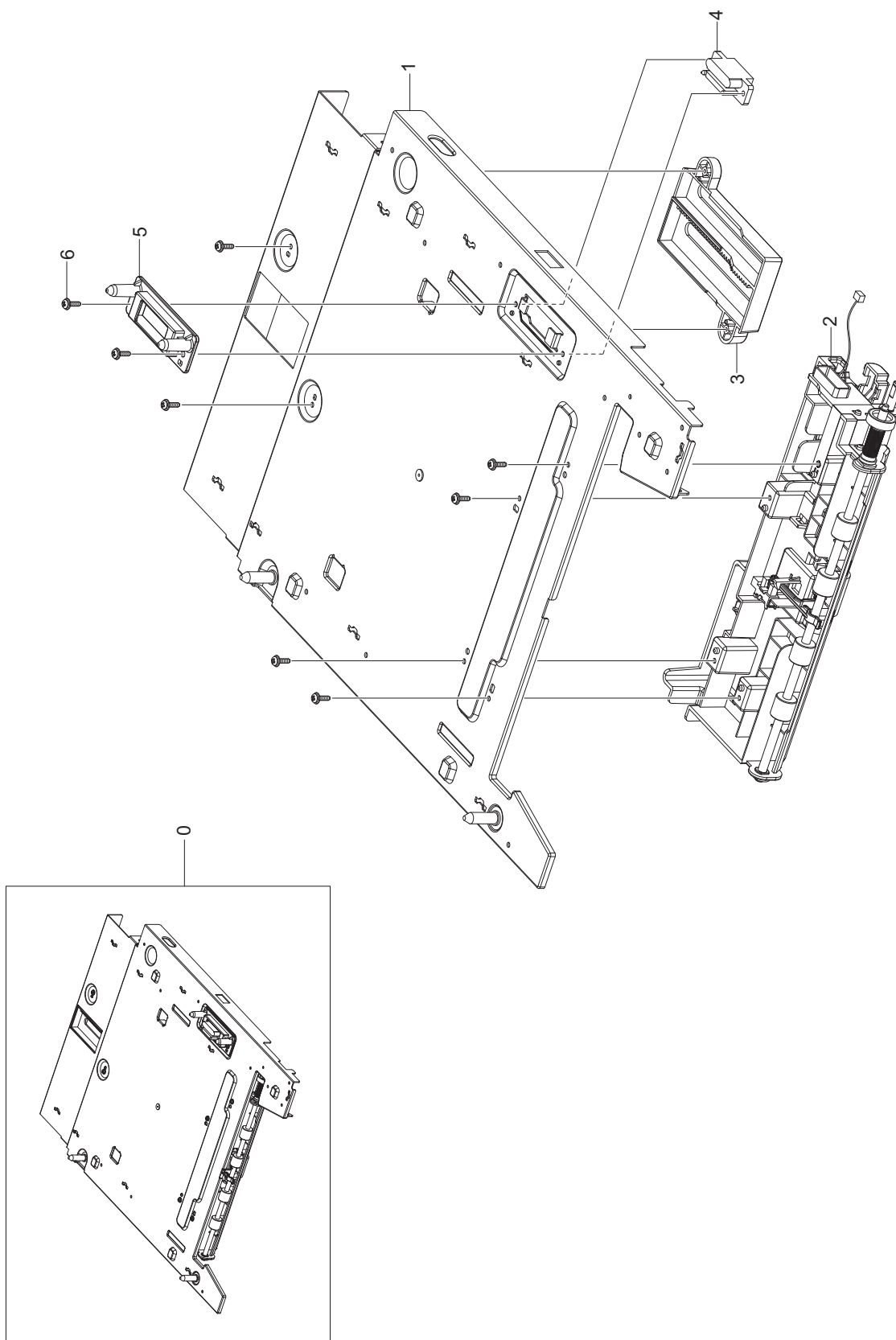
Drawer#	MFG_code	Description	Q'ty	Service	Remark
0		ELA UNIT-CASSETTE_HCF	1	SNA	
1	6002-000440	SCREW-TAPPING (M3X8)	10	SNA	
2		FRAME-CASSETTE	1	SNA	
3	0604-001095	PHOTO-INTERRUPTER	2	SA	
4		CBF HARNESS-PAPER LEVEL	1	SNA	
5		GROUND-REAR_HCF	1	SNA	
6		PLATE-PAPER REAR	1	SNA	
7		RACK-GEAR REAR	1	SNA	
8		SHAFT-GUIDE REAR	1	SNA	
9	6044-000231	RING-E(ID5)	1	SA	
10		GEAR-GUIDE REAR	2	SNA	
11		PLATE-PAPER SIDE L	1	SNA	
12		PLATE-PAPER SIDE R	1	SNA	
13	JC70-10929A	IPR-SPR PLATE G/SIDE	2	SNA	
14		PLATE-GUIDE RAIL	4	SNA	
15		GUIDE-SIDE RAIL	2	SNA	

DOOR FRONT_HCF Parts List

SA : SERVICEAVAILABLE, SNA : SERVICE not AVAILABLE

Drawer#	MFG_code	Description	Q'ty	Service	Remark
0		MEA UNIT-DOOR FRONT	1	SNA	
1	6002-000440	SCREW-TAPPING (M3X8)	12	SNA	
2	6003-000269	SCREW-TAPTITE (M3X6)	1	SA	
3		COVER-FRONT	1	SNA	
4	JC61-01404A	BRACKET-P-HANDLE SCF	1	SNA	
5		HANDLE-DOOR	1	SNA	
6		SPRING-TS_LOCK	2	SNA	
7	JC64-00423A	LOCKER-REAR_L	1	SNA	
8	JC64-00424A	LOCKER-REAR_R	1	SNA	
9		BRKT-HINGE	2	SNA	
10		BRKT-HINGE GEARED	1	SNA	
11		BRKT-RETARD	1	SNA	
12		BUSH-6_D(L5)	6	SNA	
13		SHAFT-RETARD M	1	SNA	
14		SHAFT-RETARD S	1	SNA	
15	6044-000125	RING-E(ID4)	7	SC	
16	JC97-02259A	MEA UNIT-ROLLER PU	1	SNA	
17	JC66-00939A	SHAFT-LOCK	1	SNA	
18	JC67-00126A	COUPLER-TORQUE LIMITER	1	SNA	
19	JC66-00976A	JOINT-M_RETARD	1	SNA	
20		GEAR-RETARD ACT	1	SNA	
21		GEAR-RETARD CON	1	SNA	
22		COVER-RETARD_GEAR	1	SNA	
23		SPRING-ES	1	SNA	
24		COVER-RETARD	1	SNA	
25	JC61-70959B	SPRING-ETC-FEED	2	SNA	
26	JC66-00661A	SHAFT-EXIT IDLE	1	SNA	
27	JC66-01022A	ROLLER-M_IDLE SCF	4	SNA	
28		PLATE-ROLLER GUIDE	1	SNA	
29	JC63-00824A	GROUND-P-DOOR INNER	1	SNA	
30	JC63-00754A	SHEET-GUIDE FILM SCF	1	SNA	
31		COVER-RETARD_DUMMY	1	SNA	
32	JC63-00747A	SHEET-GUIDE RETARD	1	SNA	

5.30 HOU-UPPER HCF

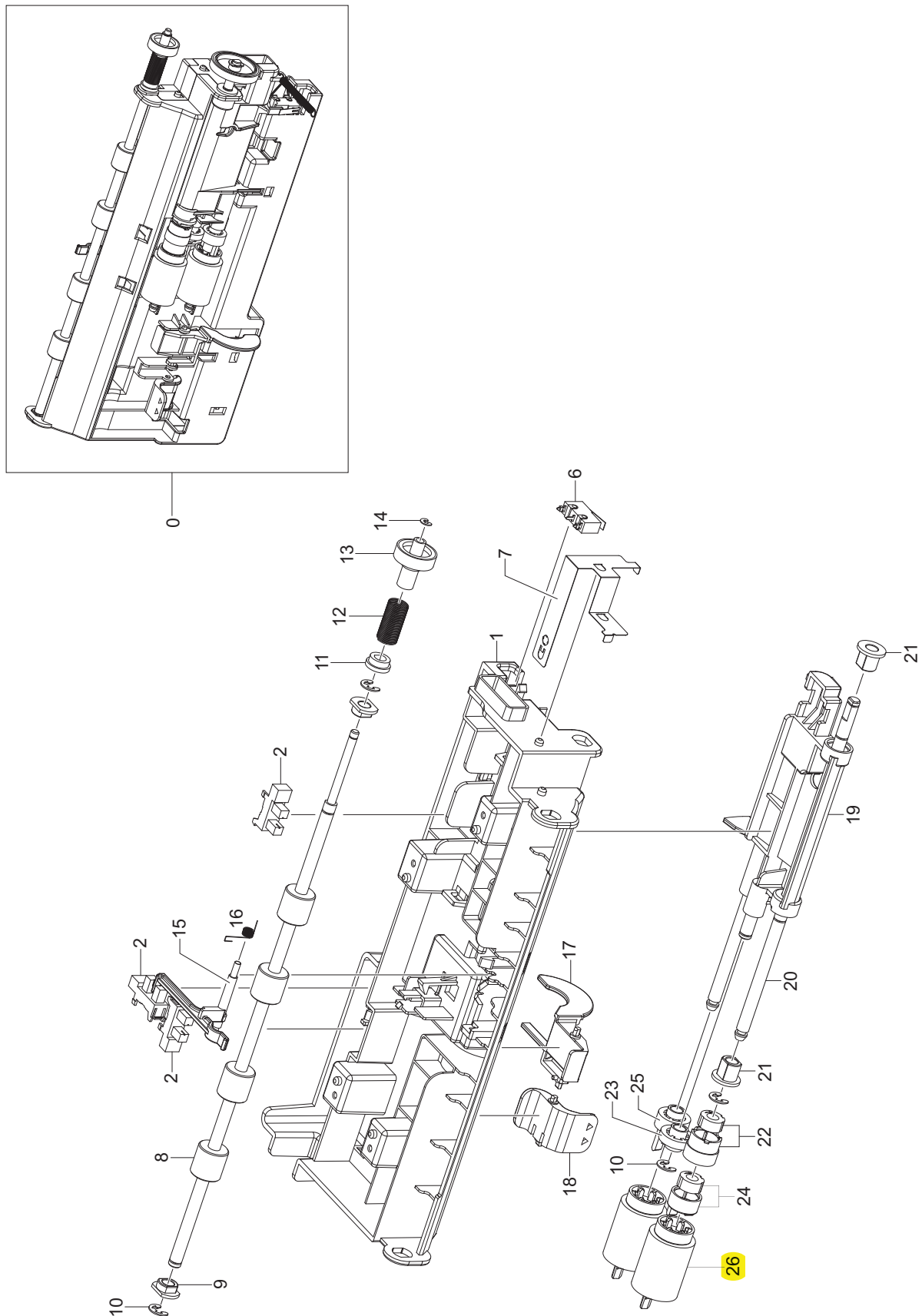


HOU-UPPER_HCF Parts List

SA : SERVICEAVAILABLE, SNA : SERVICE not AVAILABLE

Drawer#	MFG_code	Description	Q'ty	Service	Remark
0		ELA HOU-UPPER_HCF	1	SNA	
1		PLATE-TOP_HCF	1	SNA	
2		ELA UNIT-PICK UP	1	SNA	
3		GUIDE-TOP REAR_DUMMY	1	SNA	
4		CBF HARNESS-HCF	1	SNA	
5	JC61-01742A	HOLDER-CONNECTOR_SCF	1	SA	
6	6002-000440	SCREW-TAPPING (M3X8)	8	SNA	

5.31 PICKUP HCF

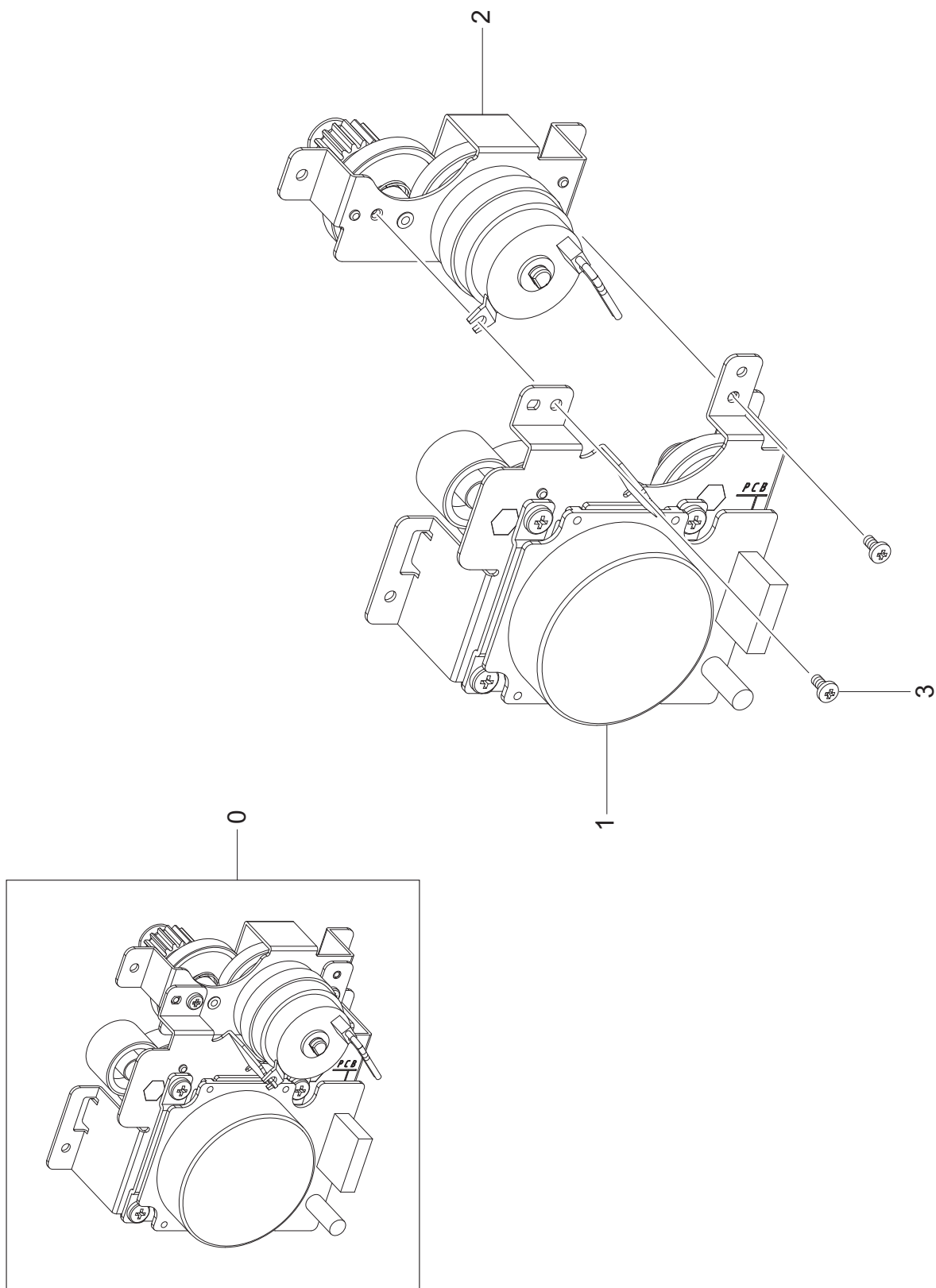


PICKUP_HCF Parts List

SA : SERVICEAVAILABLE, SNA : SERVICE not AVAILABLE

Drawer#	MFG_code	Description	Q'ty	Service	Remark
0		ELA UNIT-PICK UP	1	SNA	
1		FRAME-BASE_PICK UP	1	SNA	
2	0604-001095	PHOTO-INTERRUPTER	3	SA	
3		CBF HARNESS-SENSOR	1	SNA	
4		CBF HARNESS-ELEV MOTOR	1	SNA	
5		CBF HARNESS-COVER OPEN	1	SNA	
6	JC39-00477A	HARNESS-MOTOR_SW	1	SNA	
7		GROUND-SHAFT PU	1	SNA	
8		ROLLER-HCF DRV	1	SNA	
9		BUSH-6_D(L5)	2	SNA	
10	6044-000125	RING-E(ID4)	2	SC	
11	JG72-40732A	PMO-BUSHING HOLDER	1	SNA	
12	JC61-00062A	SPRING ETC-CLUTCH	1	SNA	
13	JC66-00964A	GEAR-M_FEED SCF	1	SNA	
14	6044-000159	RING-C(ID3)	1	SA	
15	JC66-01275A	ACTUATOR-FEED	1	SA	
16	6107-001261	SPRING-TS	1	SA	
17	JC61-01350A	LEG-M_ACT NO PAPER	1	SNA	
18		LIMITIED-PAPER	1	SNA	
19	JC61-01299A	GUIDE-M_UPPER PICK UP	1	SNA	
20		SHAFT-PICK UP	1	SNA	
21	JC61-00884A	BUSH-6_D(L)	2	SNA	
22	JC97-02291A	MEA UNIT-GEAR ONE WAY	1	SNA	
23	JC66-00940A	GEAR-M_IDLE PU	1	SNA	
24	JC97-02292A	MEA UNIT-IDLE FORWARD	1	SNA	
25	JC66-00943A	GEAR-M_PU JOINT	1	SNA	
26	JC97-02259A	MEA UNIT-ROLLER PU	2	SNA	

5.32 DRIVE HCF

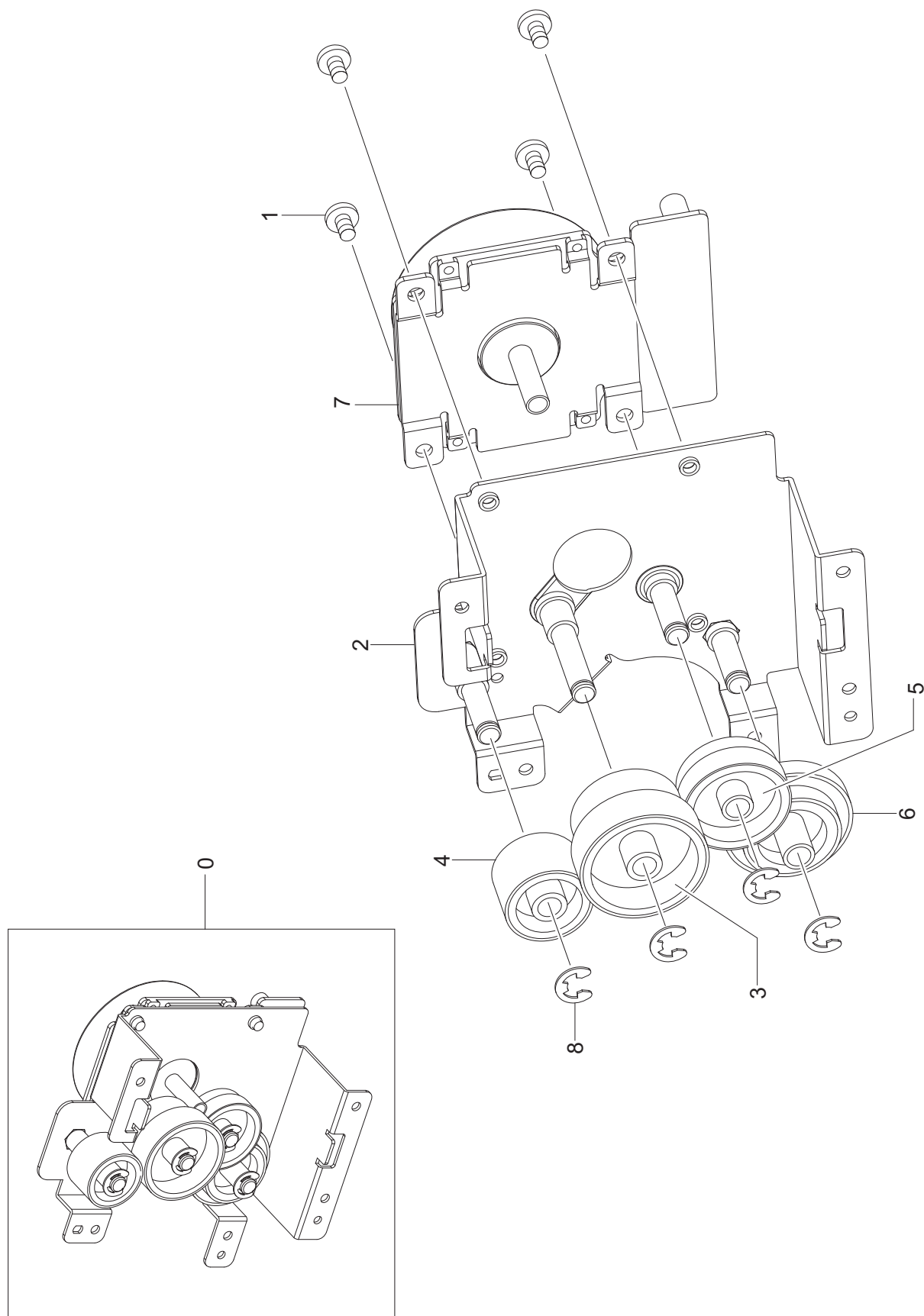


DRIVE_HCF Parts List

SA : SERVICEAVAILABLE, SNA : SERVICE not AVAILABLE

Drawer#	MFG_code	Description	Q'ty	Service	Remark
0		ELA HOU-HCF DRIVE	1	SNA	
1		SUB-DRIVE	1	SNA	
2		SUB-CLUTCH	1	SNA	
3	6003-000269	SCREW-TAPTITE (M3X6)	2	SA	

5.33 SUB-DRIVE HCF

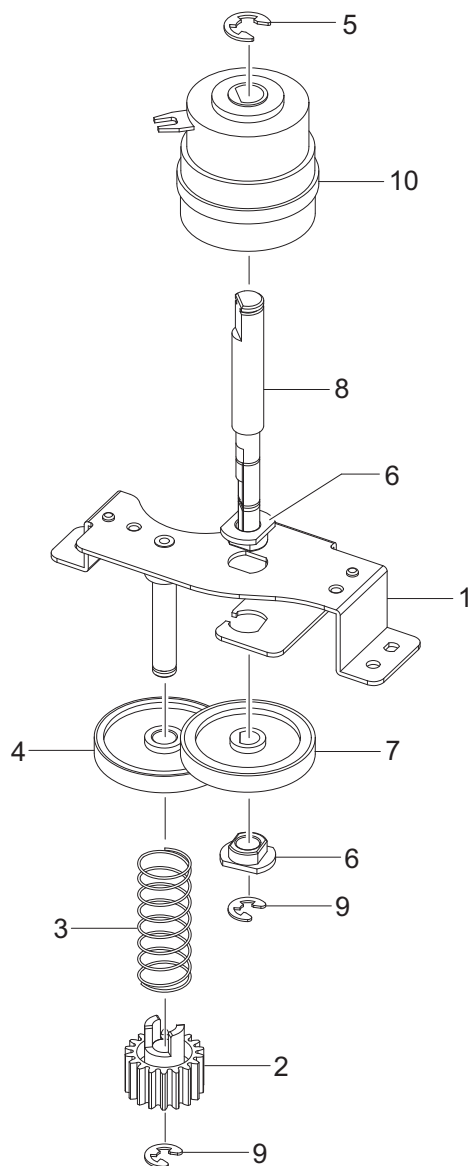
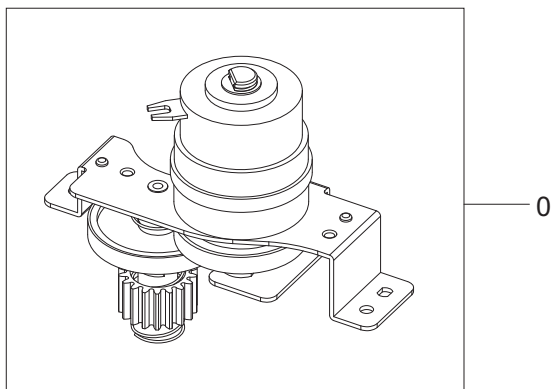


SUB-DRIVE_HCF Parts List

SA : SERVICEAVAILABLE, SNA : SERVICE not AVAILABLE

Drawer#	MFG_code	Description	Q'ty	Service	Remark
0		SUB-DRIVE	1	SNA	
1	6003-000301	SCREW-TAPTITE (M4X6)	4	SNA	
2		BRKT-DRIVE	1	SNA	
3	JC66-00965A	GEAR-M_FD IDLE A SCF	1	SNA	
4	JC66-00966A	GEAR-M_FD IDLE B SCF	1	SNA	
5	JC66-00967A	GEAR-M_PU IDLE A SCF	1	SNA	
6	JC66-00968A	GEAR-M_PU IDLE C SCF	1	SNA	
7	JC31-00090A	MOTOR DC(BLDC)	1	SA	
8	6044-000231	RING-E(ID5)	4	SA	

5.34 CLUTCH HCF



CLUTCH_HCF Parts List

SA : SERVICEAVAILABLE, SNA : SERVICE not AVAILABLE

Drawer#	MFG_code	Description	Q'ty	Service	Remark
0		SUB-CLUTCH	1	SNA	
1		BRKT-CLUTCH	1	SNA	
2		GEAR-RETARD COUPLE	1	SNA	
3		SPRING-CS_COUPLE	1	SNA	
4		GEAR-RETARD	1	SNA	
5	6044-000129	RING-E(ID6)	1	SNA	
6		BUSH-6_D(L5)	2	SNA	
7	JC66-00973A	GEAR-M_PICKUP IDLE B	1	SNA	
8		SHAFT-EL24 CLUTCH	1	SNA	
9	6044-000129	RING-E(ID6)	1	SNA	
10		CLUTCH-5K Z32(EL24)	1	SNA	