

Section 3

Parts Lists

- PL 1.1 Top Cover Assembly 3-4*
- PL 1.2 Front Cover..... 3-6*
- PL 1.3 Rear, Left, and Right Covers 3-8*
- PL 2.1 Tray Unit (1 of 2)..... 3-10*
- PL 2.2 Tray Unit (2 of 2)..... 3-12*
- PL 3.1 Tray Interface - Tray 1 3-14*
- PL 3.2 Paper Pick Up - Tray 1 3-16*
- PL 3.3 Retard and Take Away - Tray 1 3-18*
- PL 3.4 Tray Interface - Tray 2..... 3-20*
- PL 3.5 Paper Pick Up - Tray 2 3-22*
- PL 3.6 Retard and Take Away - Tray 2 3-24*
- PL 3.7 Feed Drive Transmission 3-26*
- PL 4.1 Multi-Sheet Bypass Feeder (MBF) / Duplex Support 3-28*
- PL 4.2 Multi-Sheet Bypass Feeder Assembly 3-30*

<i>PL 4.3 MBF Upper Feeder Assembly</i>	<i>3-32</i>
<i>PL 4.4 MBF Tray Assembly.....</i>	<i>3-34</i>
<i>PL 5.1 Tray 1 Frame and Left Cover.....</i>	<i>3-36</i>
<i>PL 5.2 Tray 2 Frame and Left Cover.....</i>	<i>3-38</i>
<i>PL 6.1 Registration</i>	<i>3-40</i>
<i>PL 6.2 Left Upper Cover Assembly.....</i>	<i>3-42</i>
<i>PL 6.3 Transport Chute Assembly</i>	<i>3-44</i>
<i>PL 7.1 Laser Assembly</i>	<i>3-46</i>
<i>PL 7.2 Xerography and Development.....</i>	<i>3-48</i>
<i>PL 8.1 Fuser Assembly</i>	<i>3-50</i>
<i>PL 9.1 Exit Lower Chute.....</i>	<i>3-52</i>
<i>PL 9.2 Offset Roller.....</i>	<i>3-54</i>
<i>PL 9.3 Exit Upper Chute Assembly.....</i>	<i>3-56</i>
<i>PL 9.4 Exit Drive Assembly</i>	<i>3-58</i>
<i>PL 10.1 Main Drive Assembly.....</i>	<i>3-60</i>
<i>PL 10.2 Fuser Drive Assembly</i>	<i>3-62</i>
<i>PL 11.1 Power Inlet and LVPS.....</i>	<i>3-64</i>
<i>PL 11.2 HVPS and Printer Engine Controller PWB.....</i>	<i>3-66</i>
<i>PL 11.3 System Controller Assembly</i>	<i>3-68</i>
<i>PL 12.1 Part Number Locator Listing.....</i>	<i>3-70</i>

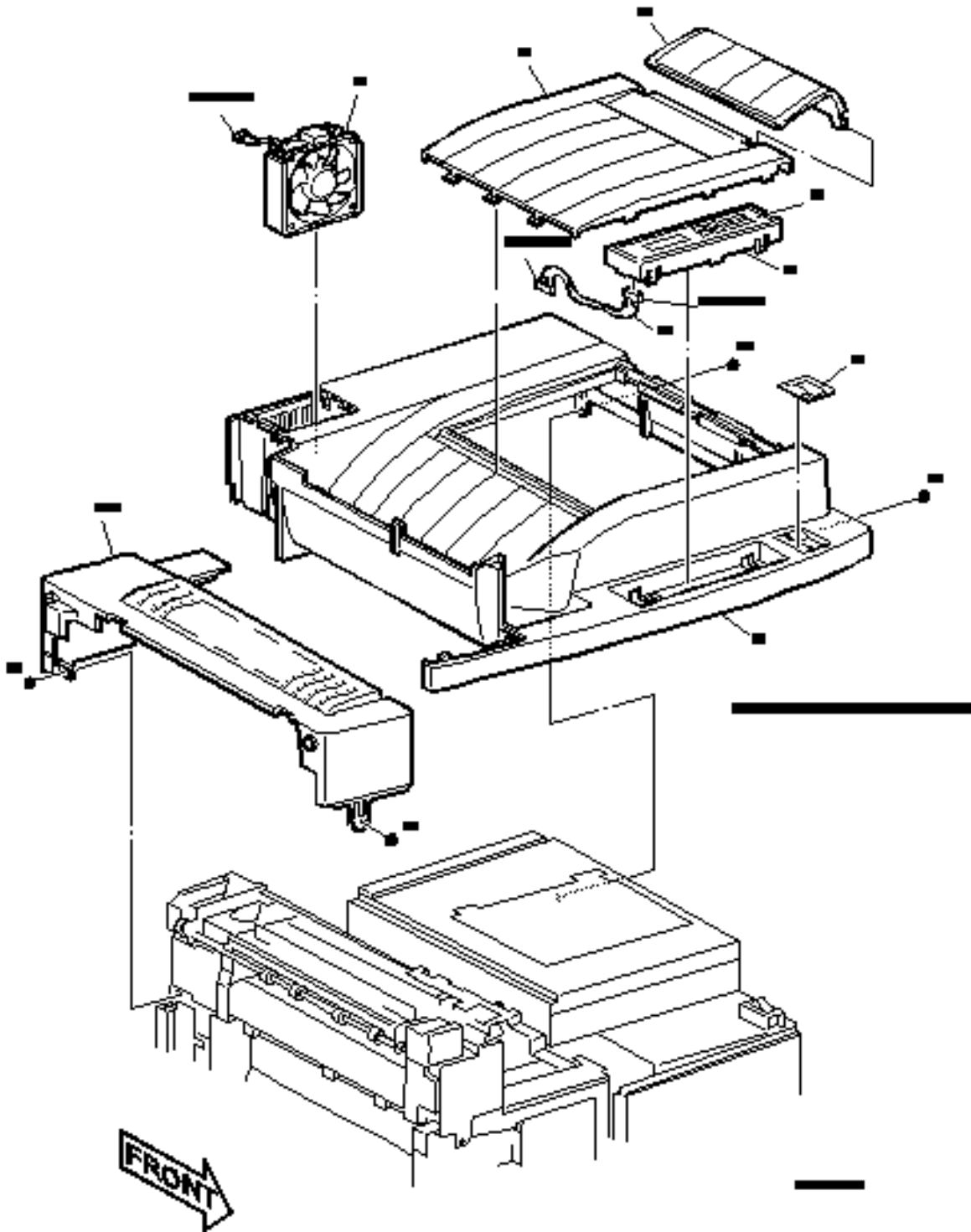
Using the Parts List

- 1 The numbers shown in each illustration correspond to the parts list number for that illustration.
- 2 The capital letters C, E, KL, and S shown in an illustration stand for C-ring, E-ring, Clamp, and Screw, respectively.
- 3 The notation "{Includes Items X through Y}" following an part name indicates an assembly that is made up of components X through Y. For example, "1 {Includes Items 2 through 4}" means part 1 consists of part 2, part 3, and part 4.
- 4 The notation "P/O Item 1" following an part name indicates this item is part of a larger assembly. For example, "7 - - - Bearing {P/O Item 1}" means item 7 is part of assembly 1.

NOTE: The parts listed and illustrated in this section are current at the time of this printing. As the machine matures the part number, mounting, etc. may change or be deleted.

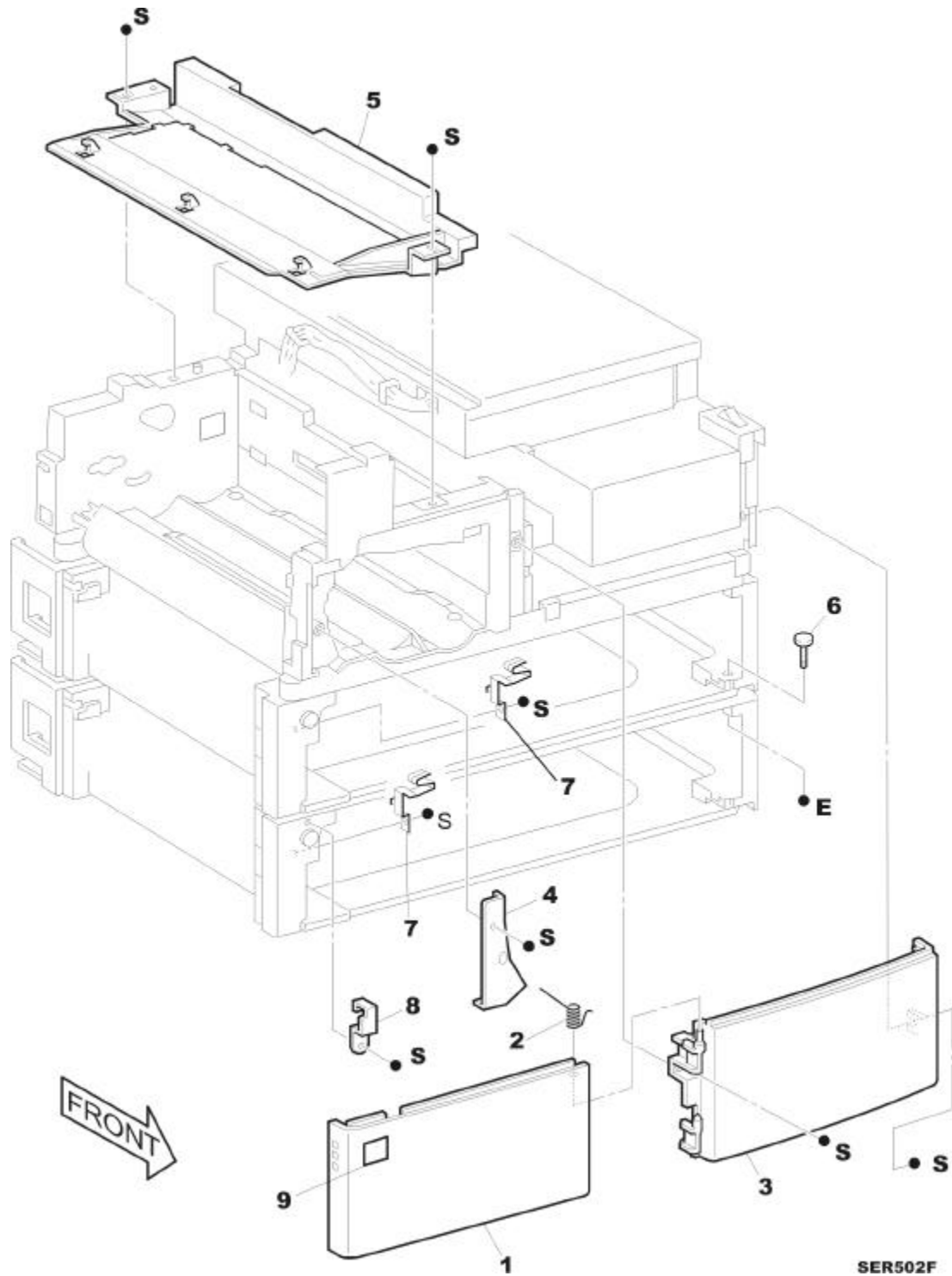
PL 1.1 Top Cover Assembly

Item	Part	Description
1)	48K58481	Cover Assembly {Includes Items 2 and 3}
2)	-----	Top Cover {P/O Item 1}
3)	-----	Label Switch {P/O Item 1}
4)	48K54503	Console Panel
5)	891E37090	N32 Console Panel Label (English & Symbols)
	891E37100	N32 Console Panel Label (Symbols Only)
	891E42430	N32 Console Panel Label (Spanish)
	891E42440	N32 Console Panel Label (Brazil/Portuguese)
	891E42990	N24 Console Panel Label (English & Symbols)
	891E43000	N24 Console Panel Label (Symbols Only)
	891E43010	N24 Console Panel Label (Brazil/Portuguese)
	891E43020	N24 Console Panel Label (Spanish)
	891E68020	N40 Console Panel Label (English & Symbols)
	891E68030	N40 Console Panel Label (Symbols Only)
	891E68040	N40 Console Panel Label (Brazil/Portuguese)
	891E68050	N40 Console Panel Label (Spanish)
	892E16190	N3225 Console Panel Label (English & Symbols)
	892E16220	N3225 Console Panel Label (Symbols Only)
	892E16210	N3225 Console Panel Label (Brazil/Portuguese)
	892E16200	N3225 Console Panel Label (Spanish)
	892E16150	N4025 Console Panel Label (English & Symbols)
	892E16180	N4025 Console Panel Label (Symbols Only)
	892E16170	N4025 Console Panel Label (Brazil/Portuguese)
	892E16160	N4025 Console Panel Label (Spanish)
6)	162K25111	Console Harness
7)	2E68401	Cover System Controller
8)	3E23653	Stopper
9)	127K19110	Fuser Fan Assembly
	127K21470	Fuser Fan Assembly (Alternate)
10)	48E37170	Full Fuser Cover
A)	600K65640	Screw Kit



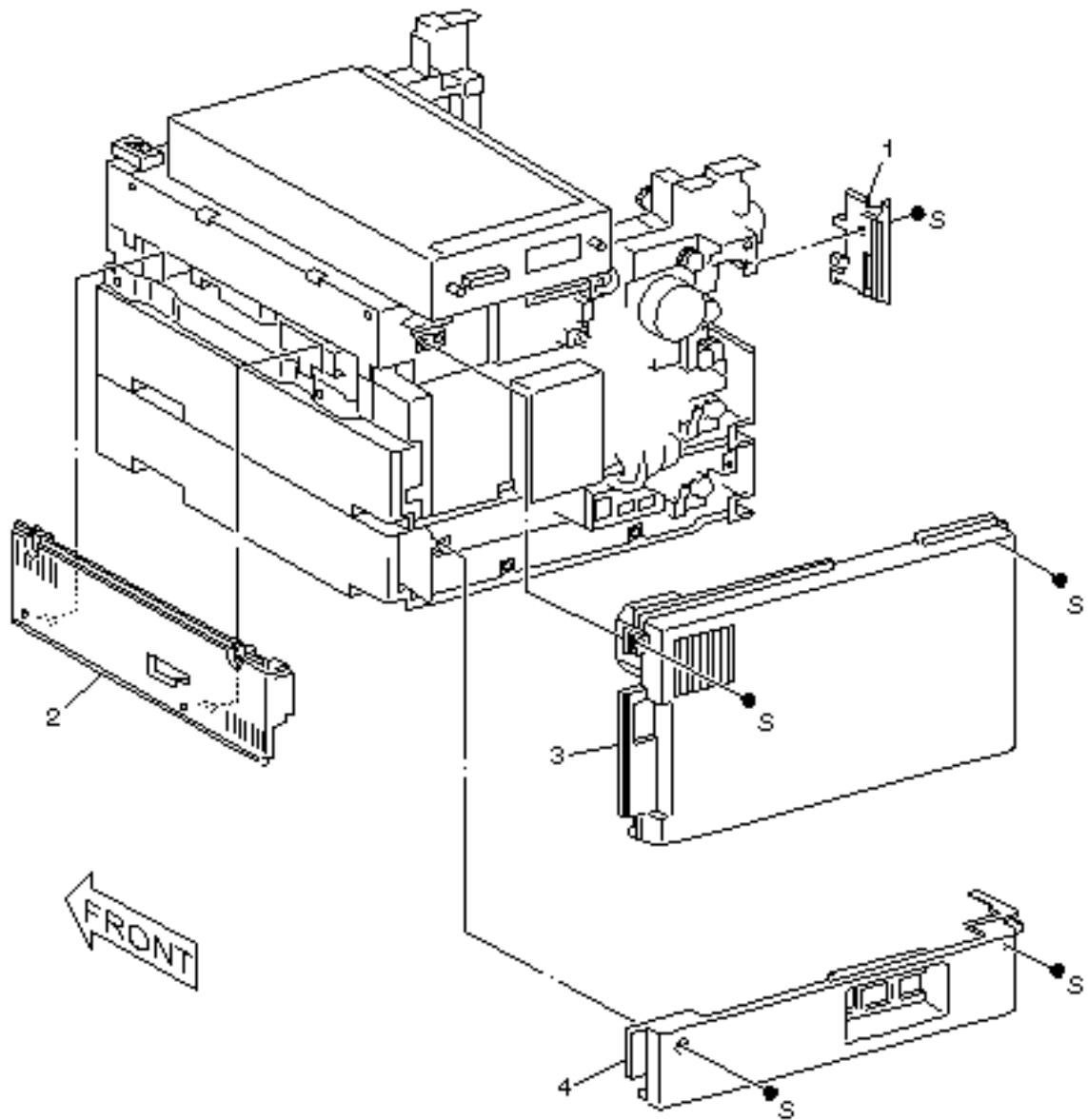
PL 1.2 Front Cover

Item	Part	Description
1)	802K02510	Front Left Cover Assembly (Also order Item 9) NOTE: Mark off the existing tags on the replacement cover
2)	9E62730	Torsion Spring
3)	48K66971	Front Right Cover
4)	-----	Magnet Plate
5)	54E08320	Duct Bottom
6)	26E40710	Stud Docking
7)	-----	EME Front Spring
8)	49E73290	Left Docking Bracket
9)	892E15510	Xerox Logo Badge
A)	600K65640	Screw Kit



PL 1.3 Rear, Left, and Right Covers

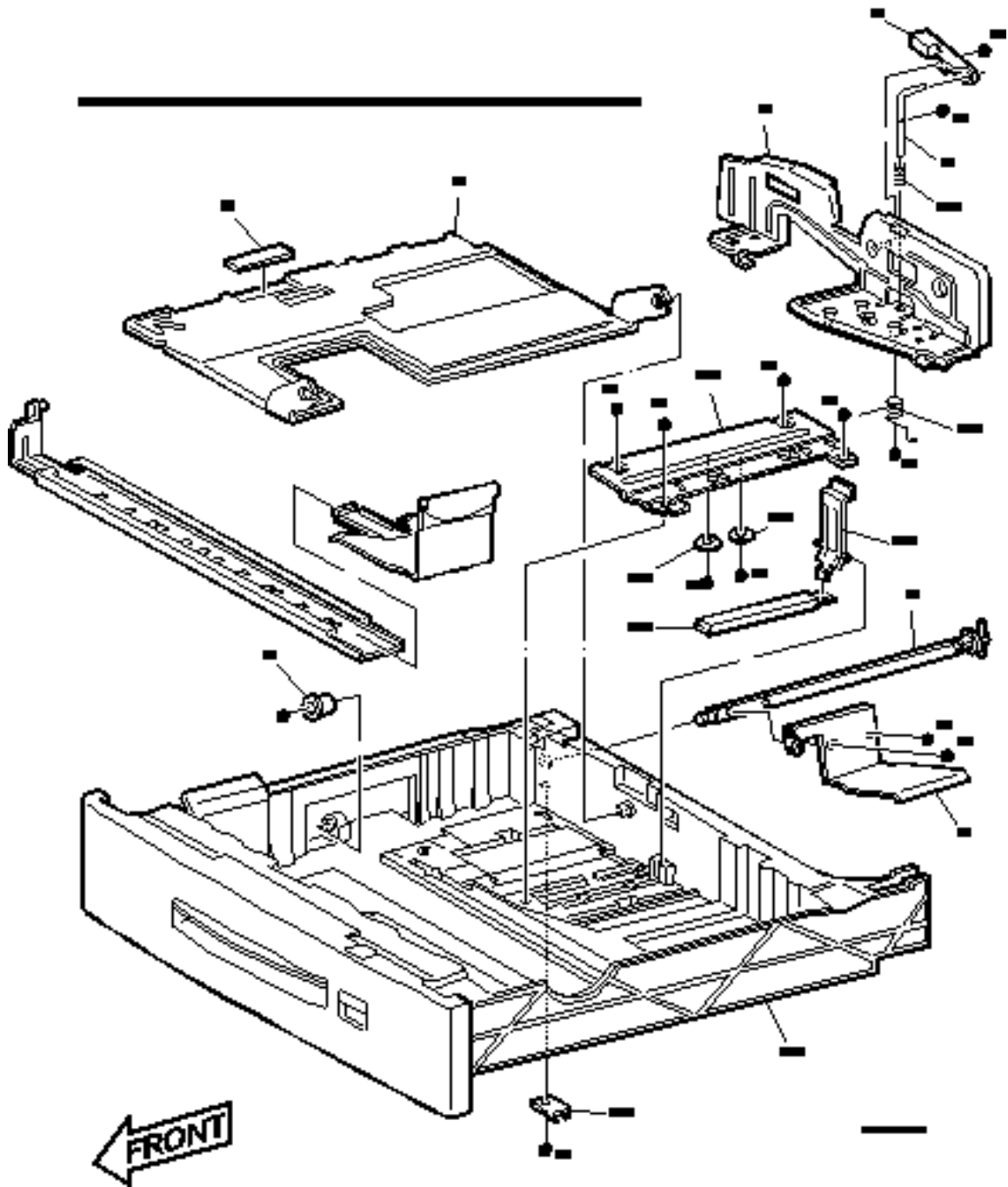
Item	Part	Description
1)	48E37211	Left Hand Inner Cover
2)	48K50030	Right Hand Cover
3)	48K49621	Upper Rear Cover
4)	48E37410	Lower Rear Cover
A)	600K65640	Screw Kit



SEP803F

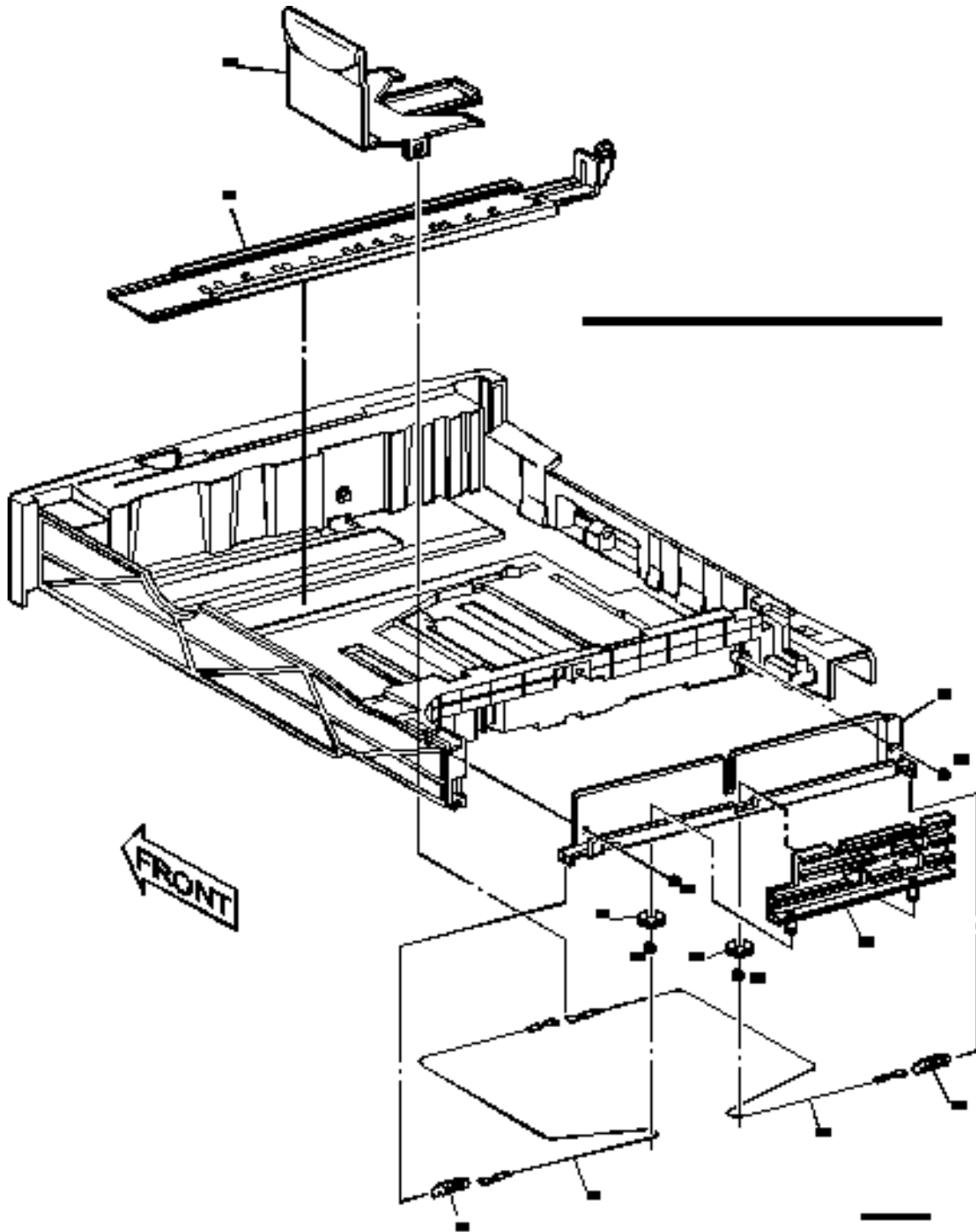
PL 2.1 Tray Unit (1 of 2)

Item	Part	Description
1)	109R00044	Tray Assembly {Includes Items 2 through 17 and PL 2.2 Items 1 through 8}
2)	-----	Plate Bottom {P/O Item 1}
3)	-----	Pad Bottom {P/O Item 1}
4)	-----	Plate Tongue {P/O Item 1}
5)	-----	Tongue Shaft Assembly {P/O Item 1}
6)	-----	Bearing {P/O Item 1}
7)	-----	Side Guide Assembly {P/O Item 1}
8)	-----	Lever {P/O Item 1}
9)	-----	Shaft {P/O Item 1}
10)	-----	Spring {P/O Item 1}
11)	-----	Plate Side {P/O Item 1}
12)	-----	Actuator {P/O Item 1}
13)	-----	Link {P/O Item 1}
14)	-----	Torsion Spring {P/O Item 1}
15)	-----	Stopper {P/O Item 1}
16)	-----	Tray Housing {P/O Item 1}
17)	-----	Washer {P/O Item 1}
A)	600K65640	Screw Kit



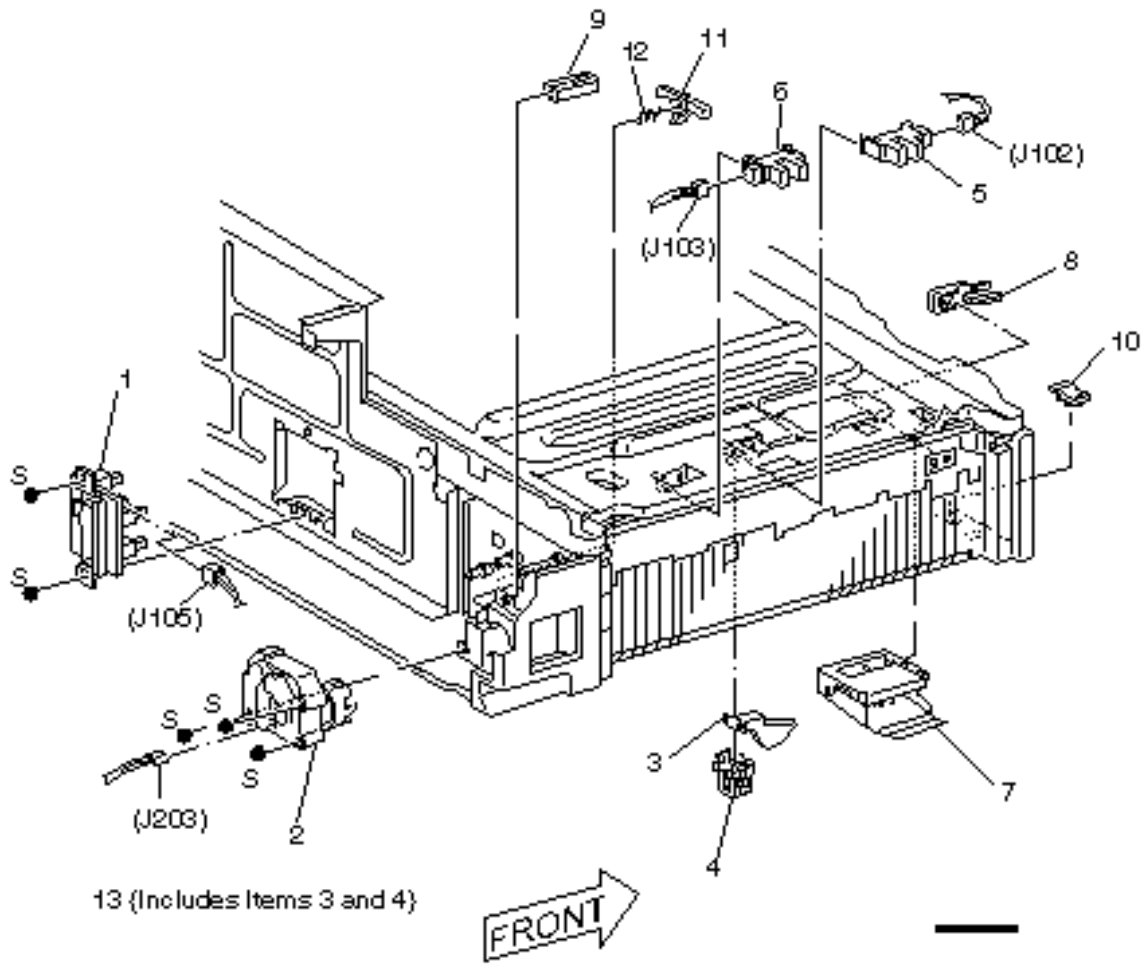
PL 2.2 Tray Unit (2 of 2)

Item	Part	Description
1)	-----	End Guide Assembly {P/O PL 2.1, Item 1}
2)	-----	End Plate Assembly {P/O PL 2.1, Item 1}
3)	-----	Actuator Assembly {P/O PL 2.1, Item 1}
4)	-----	Cable Assembly {P/O PL 2.1, Item 1} {P/O Item 8}
5)	-----	Extension Spring {P/O PL 2.1, Item 1} {P/O Item 8}
6)	-----	Pulley {P/O PL 2.1, Item 1}
7)	-----	Guide Actuator {P/O PL 2.1, Item 1}
8)	600K61610	Tray Cables Kit {Includes 2 each of Items 4 and 5}
A)	600K65640	Screw Kit



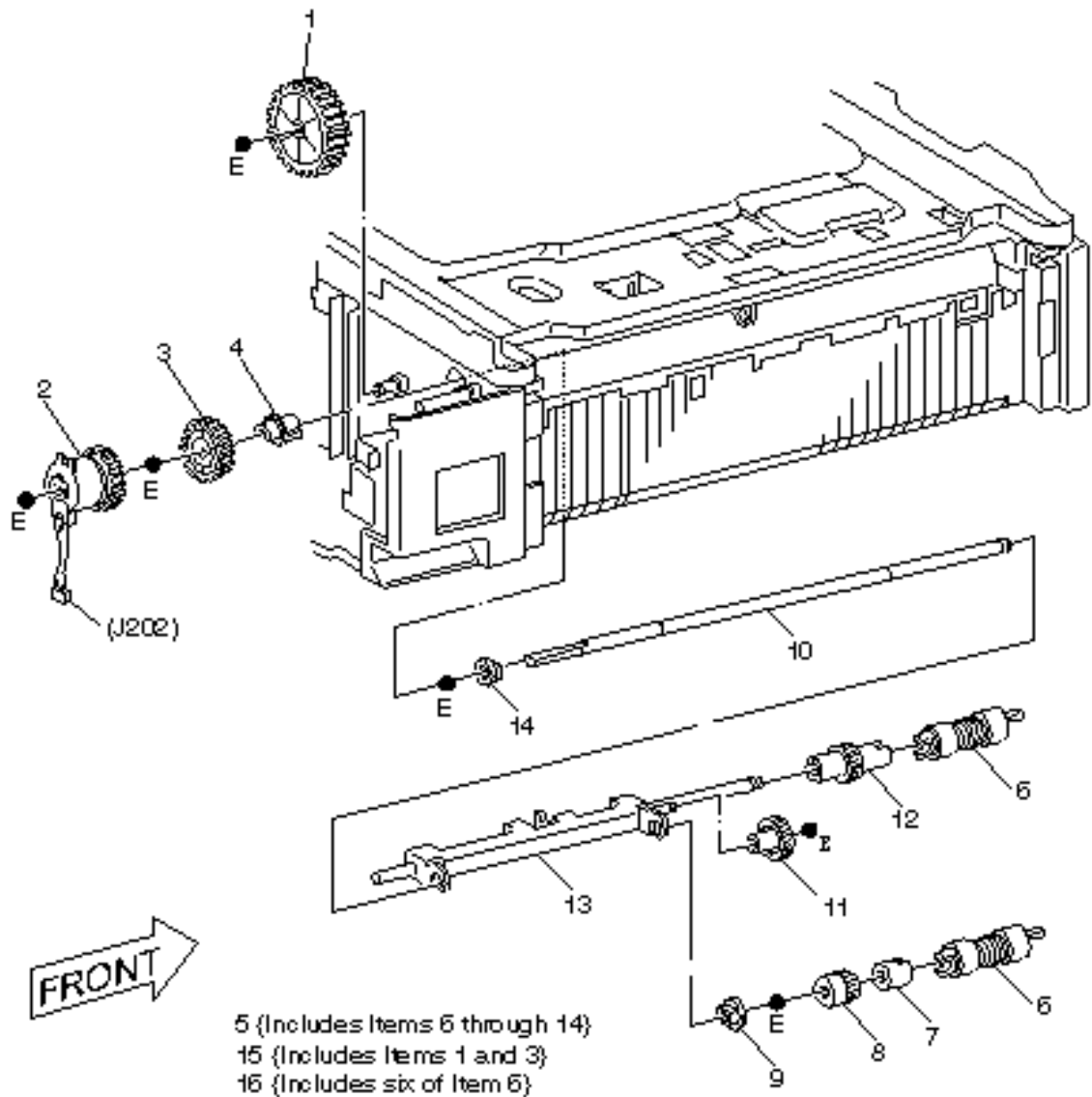
PL 3.1 Tray Interface - Tray 1

Item	Part	Description
1)	110K07740	Paper Size Switch Assembly
2)	127K20662	Motor Assembly
3)	-----	Sensor Actuator {P/O Item 13}
4)	-----	Support Actuator {P/O Item 13}
5)	107E94941	No Paper Sensor
6)	107E94941	Lift Up Sensor
7)	-----	Chute Assembly Front, (for Tray 1 only)
8)	3E23671	Front Stopper Tray
9)	3E23690	Rear Stopper Tray
10)	-----	Left Spacer
11)	23E08660	Link Stopper Tray 1 & 2
12)	809E05870	Torsion Spring
13)	600K65440	Actuator Sensor Kit (Tray 1 Only) {Includes Items 3 and 4}
A)	600K65640	Screw Kit



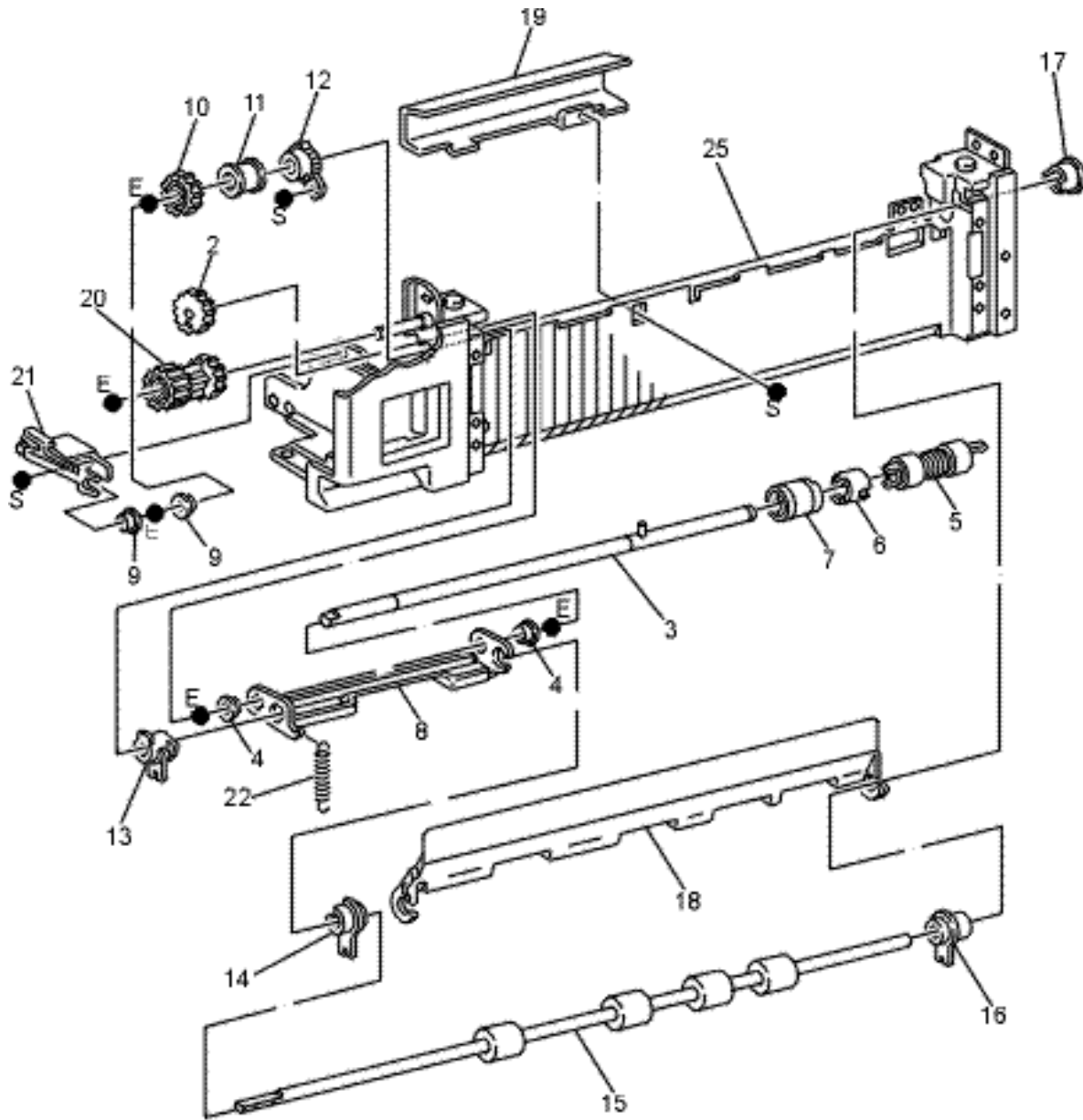
PL 3.2 Paper Pick Up - Tray 1

Item	Part	Description
1)	-----	46T Gear {P/O Item 15}
2)	121K82820	Feed Clutch Assembly
3)	-----	28T Gear Assembly {P/O Item 15}
4)	5K81990	One Way Clutch
5)	50K29923	Feeder Assembly {Includes Items 6 through 14}
6)	-----	Roll Assembly {P/O Item 5} {P/O Item 16}
7)	-----	One Way Clutch Assembly {P/O Item 5}
8)	-----	Clutch Gear 25T {P/O Item 5}
9)	-----	Bearing {P/O Item 5}
10)	-----	Feed Shaft {P/O Item 5}
11)	-----	31T Gear {P/O Item 5}
12)	-----	25T Gear {P/O Item 5}
13)	-----	Nudger Support Assembly {P/O Item 5}
14)	-----	Bearing {P/O Item 5}
15)	600K56740	Pick Up Gear Kit {Includes Items 1 and 3}
16)	600K61600	Feed Roll Kit {Includes six of Item 6}
A)	600K65640	Screw Kit



PL 3.3 Retard and Take Away - Tray 1

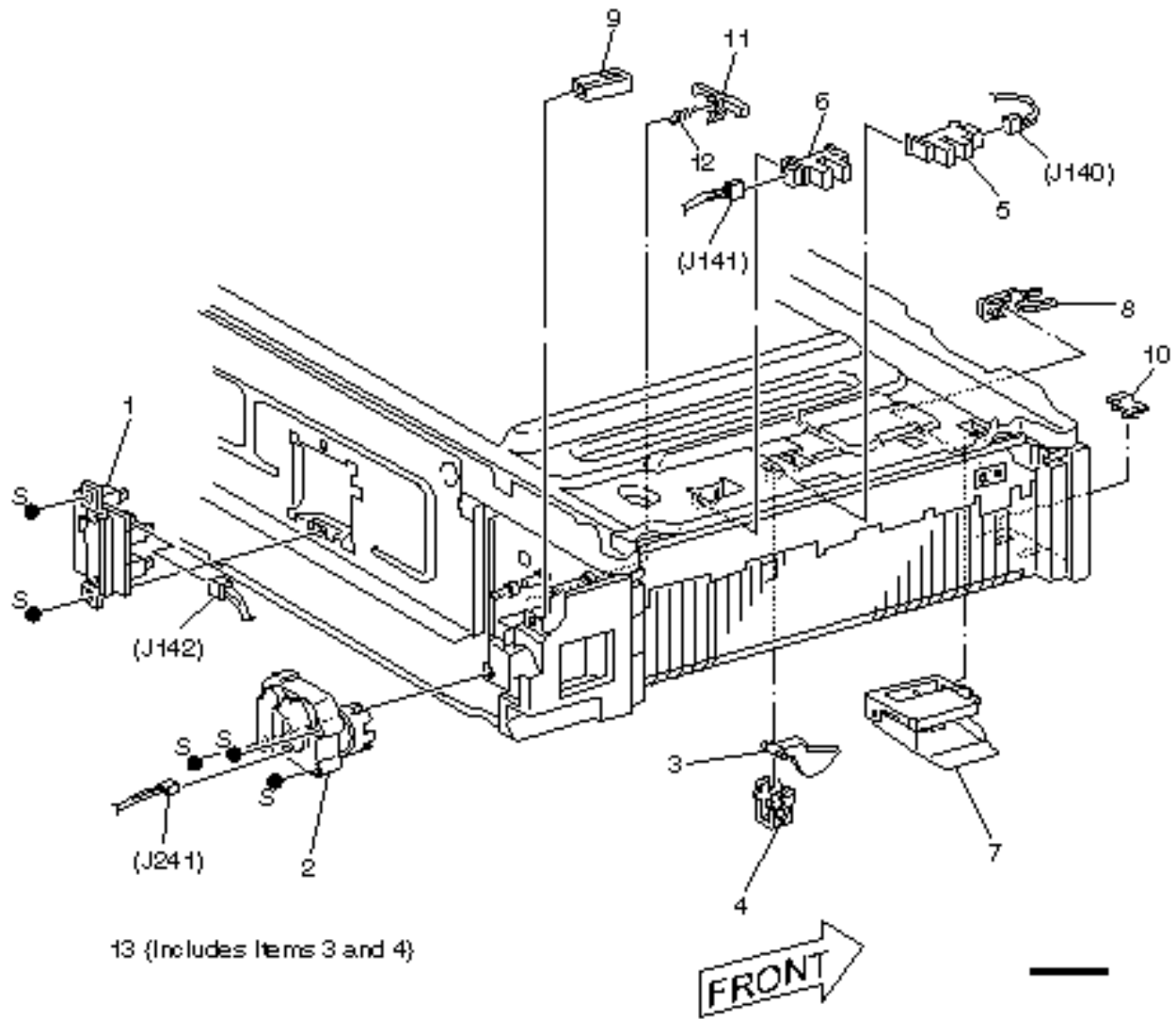
Item	Part	Description
1)	50K29983	Retard Assembly {Includes Items 2 through 8} {P/O Item 26}
2)	-----	22T Gear {P/O Item 1} {P/O Item 23} {P/O Item 26}
3)	-----	Retard Shaft Assembly {P/O Item 1} {P/O Item 26}
4)	-----	Bearing {P/O Item 1} {P/O Item 26}
5)	-----	Roll Assembly {P/O Item 1} {P/O Item 26}
6)	-----	Spacer {P/O Item 1} {P/O Item 26}
7)	-----	Friction Clutch Assembly {P/O Item 1} {P/O Item 26}
8)	-----	Retard Support {P/O Item 1} {P/O Item 26}
9)	-----	Bearing {P/O Item 1} {P/O Item 26}
10)	-----	22T Gear {P/O Item 23} {P/O Item 26}
11)	-----	Spacer {P/O Item 26}
12)	-----	Gear Stopper {P/O Item 26}
13)	-----	Rear Bearing {P/O Item 26}
14)	-----	Center Bearing {P/O Item 26}
15)	22K45890	Take Away Roller Assembly {P/O Item 26}
16)	-----	Front Bearing {P/O Item 26}
17)	-----	Bearing {P/O Item 26}
18)	54K88590	Feed Out Chute Assembly {P/O Item 26}
19)	-----	Feed In Chute Assembly {P/O Item 26}
20)	-----	22/20T Gear {P/O Item 23} {P/O Item 26}
21)	74K92500	Spring Support Assembly {P/O Item 26}
22)	9E53231	Spring {P/O Item 26}
23)	600K60970	Take Away Gear Kit {Includes Items 2, 10, and 20}
24)	600K61600	Feed Roll Kit {Includes six of Item 6}
25)	-----	Frame {P/O Item 26}
26)	600K65460	Complete Retard/Take Away Assembly {Includes Items 1, 9 through 22, and 25}
A)	600K65640	Screw Kit



- 1 {Includes Items 2 through 9}
- 23 {Includes Items 2, 10, and 20}
- 24 {Includes 6 of Item 5}
- 26 {Includes Items 1, 9 through 22 and 25}

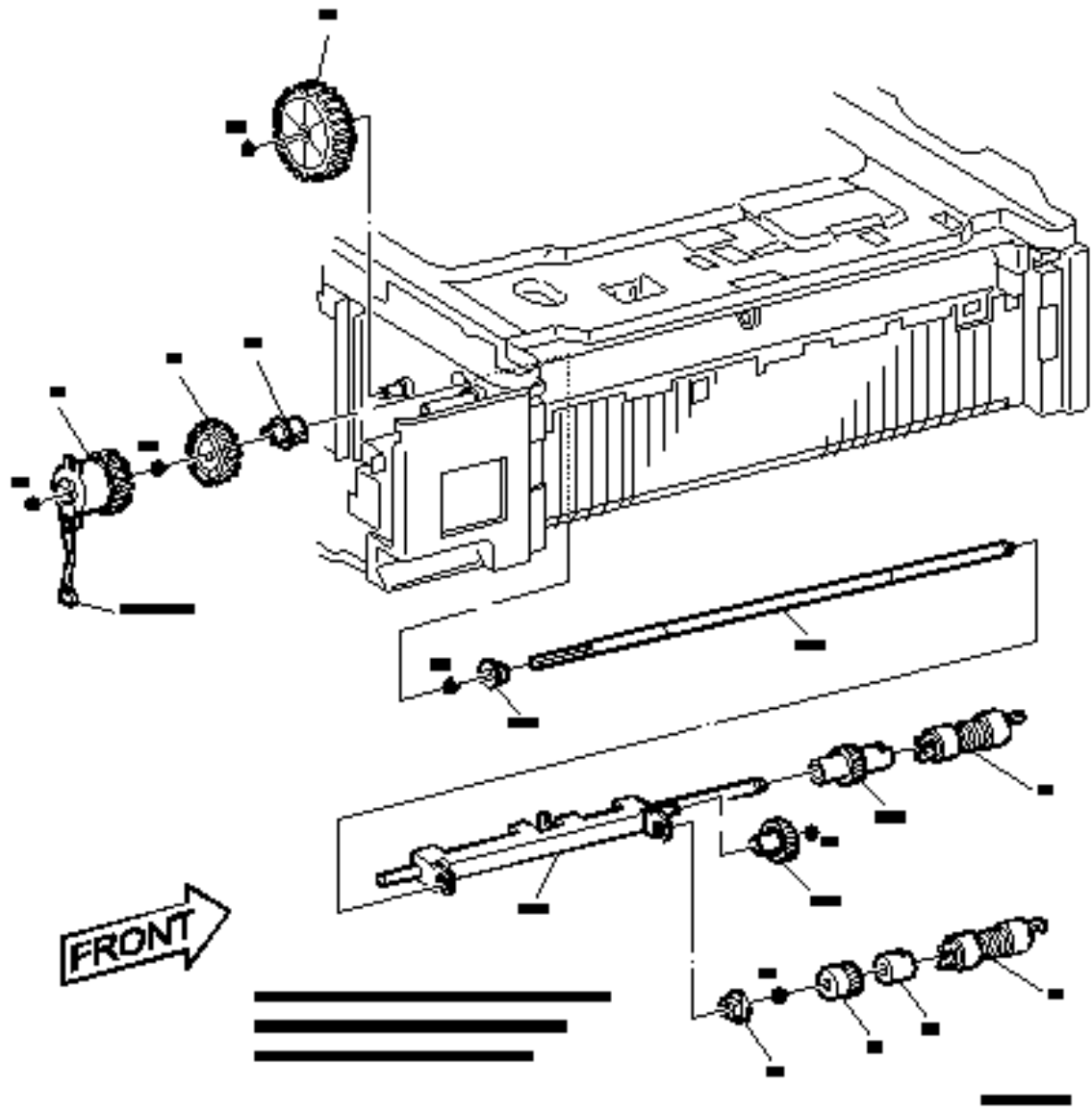
PL 3.4 Tray Interface - Tray 2

Item	Part	Description
1)	110K07740	Paper Size Switch Assembly
2)	127K20662	Motor Assembly
3)	-----	Sensor Actuator {P/O Item 13}
4)	-----	Support Actuator {P/O Item 13}
5)	107E94941	No Paper Sensor
6)	107E94941	Lift Up Sensor
7)	-----	Front Chute Assembly
8)	3E23671	Front Tray Stopper
9)	3E23690	Rear Tray Stopper
10)	-----	Left Spacer
11)	23E08660	Link Stopper
12)	809E05870	Torsion Spring
13)	600K56730	Actuator Sensor Kit (Trays 2 through 5) {Includes Items 3 and 4}
A)	600K65640	Screw Kit



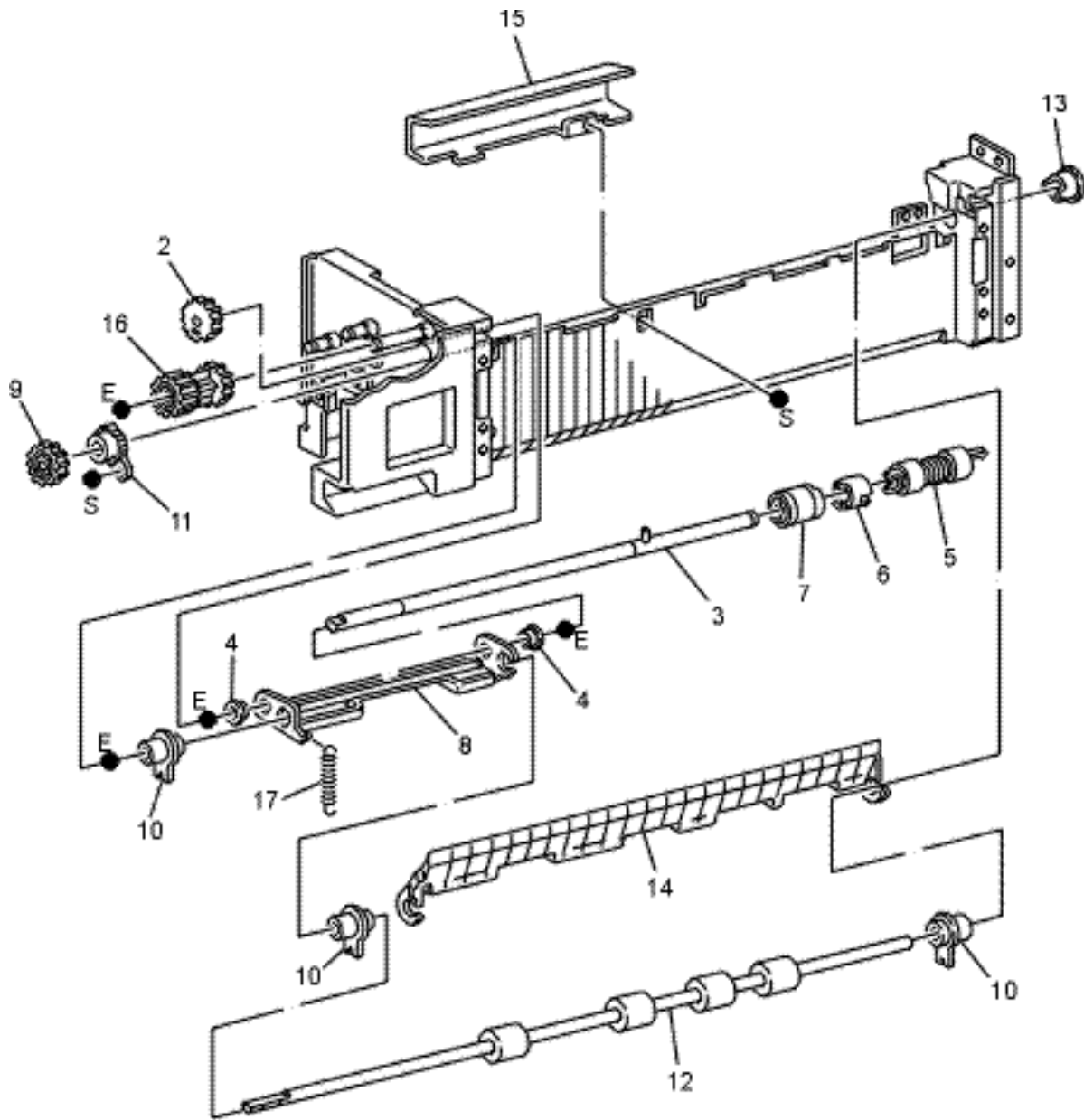
PL 3.5 Paper Pick Up - Tray 2

Item	Part	Description
1)	-----	46T Gear {P/O Item 15}
2)	121K82820	Clutch Assembly
3)	-----	28T Gear {P/O Item 15}
4)	13E86260	Feed Bearing
5)	50K29923	Feeder Assembly {Includes Items 6 through 14}
6)	-----	Roll Assembly {P/O Item 5}
7)	-----	One Way Clutch Assembly {P/O Item 5}
8)	-----	25T Gear Clutch {P/O Item 5}
9)	-----	Bearing {P/O Item 5}
10)	-----	Shaft Feed {P/O Item 5}
11)	-----	31T Gear {P/O Item 5}
12)	-----	25T Gear {P/O Item 5}
13)	-----	Nudger Support Assembly {P/O Item 5}
14)	-----	Bearing {P/O Item 5}
15)	600K60960	Pickup Gear Kit {Includes Items 1 and 3}
16)	600K61600	Feed Roll Kit {Includes six of Item 6}
A)	600K65640	Screw Kit



PL 3.6 Retard and Take Away - Tray 2

Item	Part	Description
1)	50K29983	Retard Assembly {Includes Items 2 through 8} {P/O Item 20}
2)	-----	22T Gear {P/O Item 1} {P/O Item 18} {P/O Item 20}
3)	-----	Retard Shaft Assembly {P/O Item 1} {P/O Item 20}
4)	-----	Bearing {P/O Item 1} {P/O Item 20}
5)	-----	Roll Assembly {P/O Item 1} {P/O Item 20}
6)	-----	Spacer {P/O Item 1} {P/O Item 20}
7)	-----	Friction Clutch Assembly {P/O Item 1} {P/O Item 20}
8)	-----	Retard Support {P/O Item 1} {P/O Item 20}
9)	-----	22T Gear {P/O Item 18} {P/O Item 20}
10)	-----	Bearing {P/O Item 20}
11)	-----	Gear Stopper {P/O Item 20}
12)	22K45900	Take Away Roll Assembly {P/O Item 20}
13)	-----	Bearing {P/O Item 20}
14)	54E08682	Feed Out Chute Assembly {P/O Item 20}
15)	-----	Feed In Chute Assembly {P/O Item 20}
16)	-----	22/20T Gear {P/O Item 18} {P/O Item 20}
17)	9E53231	Spring {P/O Item 20}
18)	600K56750	Take Away Gear Kit {Includes Items 2, 9, and 16}
19)	600K61600	Feed Roll Kit {Includes six of Item 5}
20)	600K65480	Complete Retard/Take Away Assembly {Includes Items 1, and 9 through 17}
A)	600K65640	Screw Kit

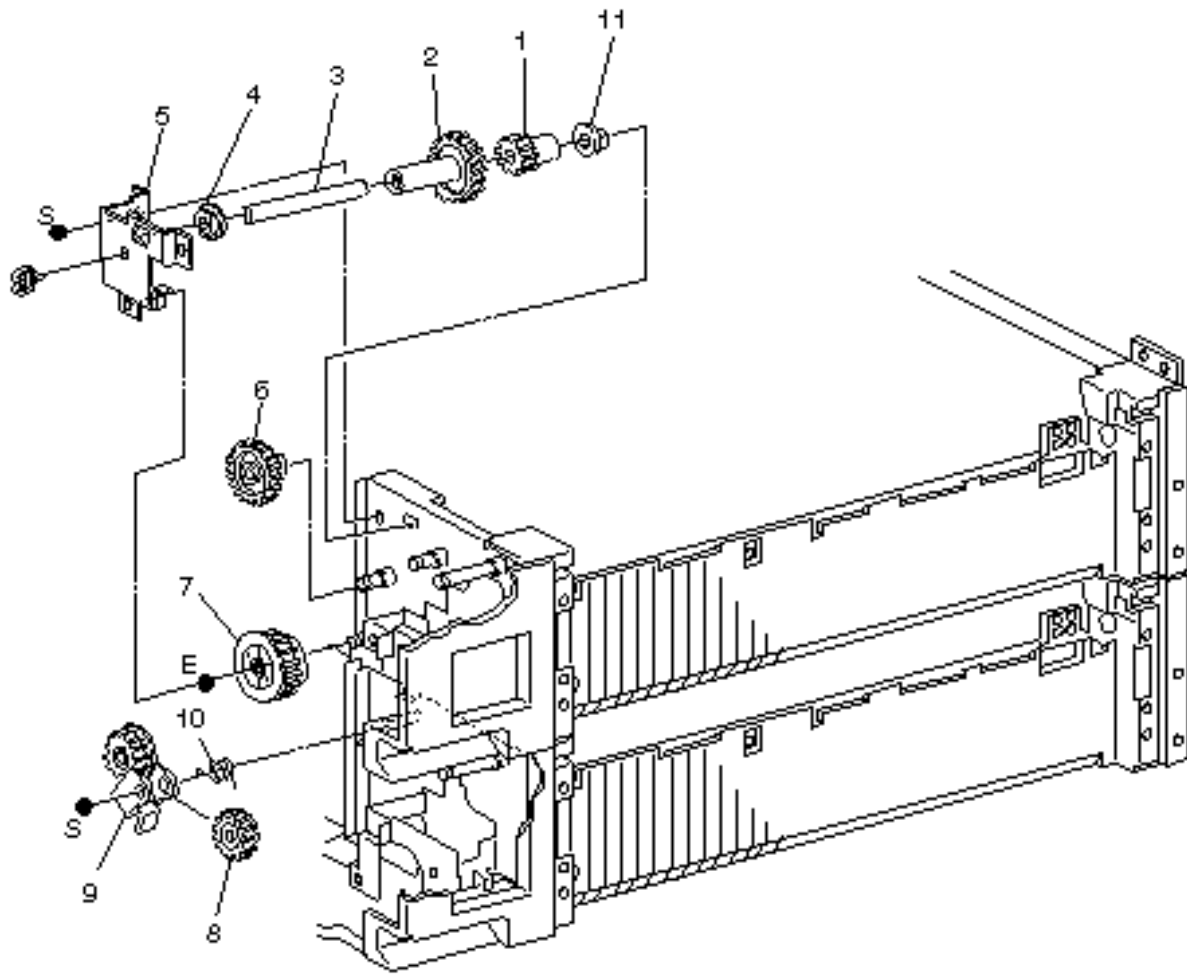


- 1 {Includes Items 2 through 8}
- 18 {Includes Items 2, 9, and 16}
- 19 {Includes 6 of Item 5}
- 20 {Includes Items 1 and 9 through 17}

FRONT

PL 3.7 Feed Drive Transmission

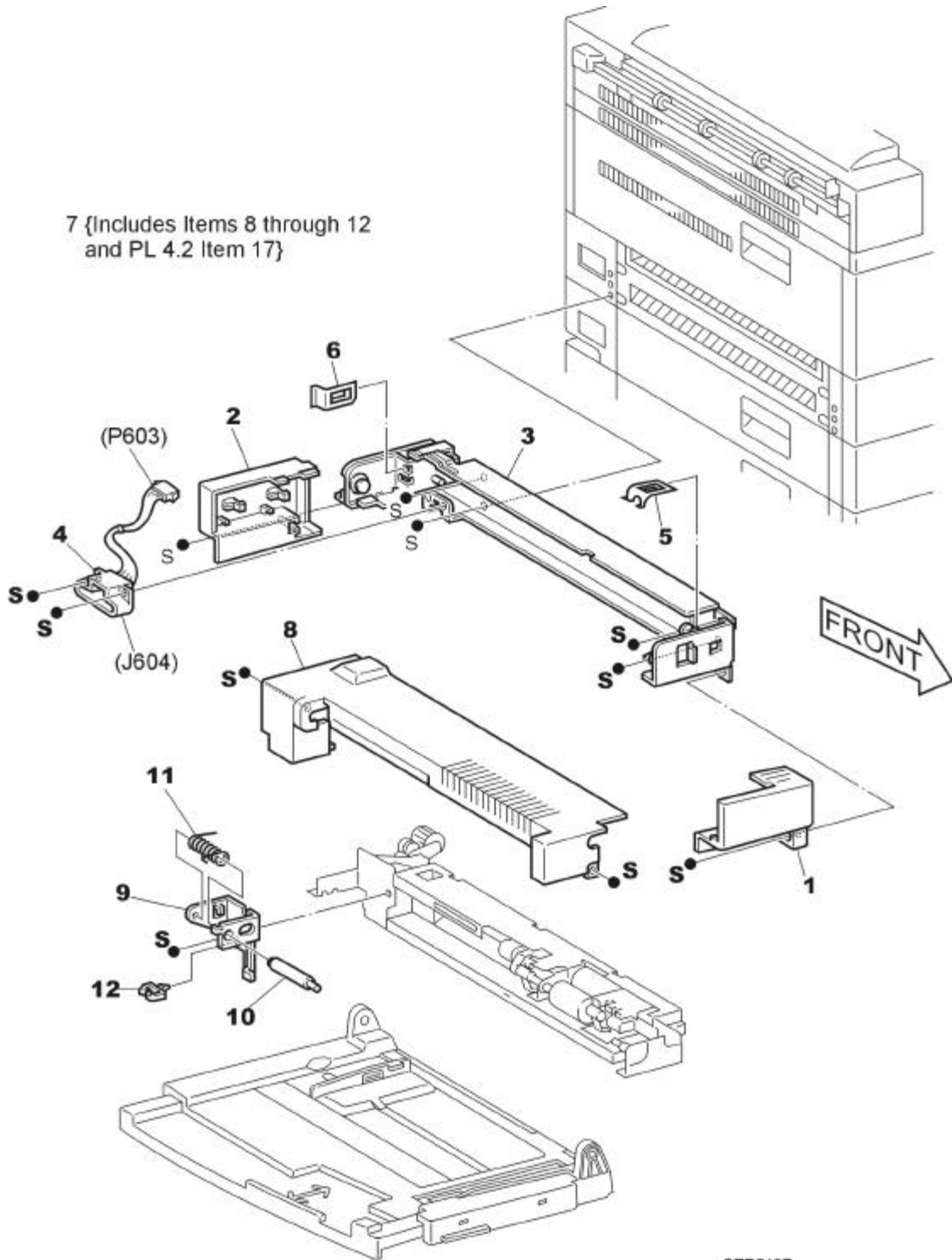
Item	Part	Description
1)	-----	16T Gear {P/O Item 12}
2)	-----	30T Gear {P/O Item 12}
3)	-----	Take Away Shaft
4)	-----	Bearing {P/O Item 12}
5)	-----	Take Away Support
6)	-----	31T Gear {P/O Item 12}
7)	-----	33T Gear {P/O Item 12}
8)	-----	16/22T Gear {P/O Item 12}
9)	-----	Link Assembly {P/O Item 12}
10)	-----	Spring Torsion {P/O Item 12}
11)	-----	Bearing {P/O Item 12}
12)	600K60980	Feed Drive Repair Kit {Includes Items 1, 2, 4, and 6 through 11}
A)	600K65640	Screw Kit



12 (Includes Items 1, 2, 4, and 6 through 11)

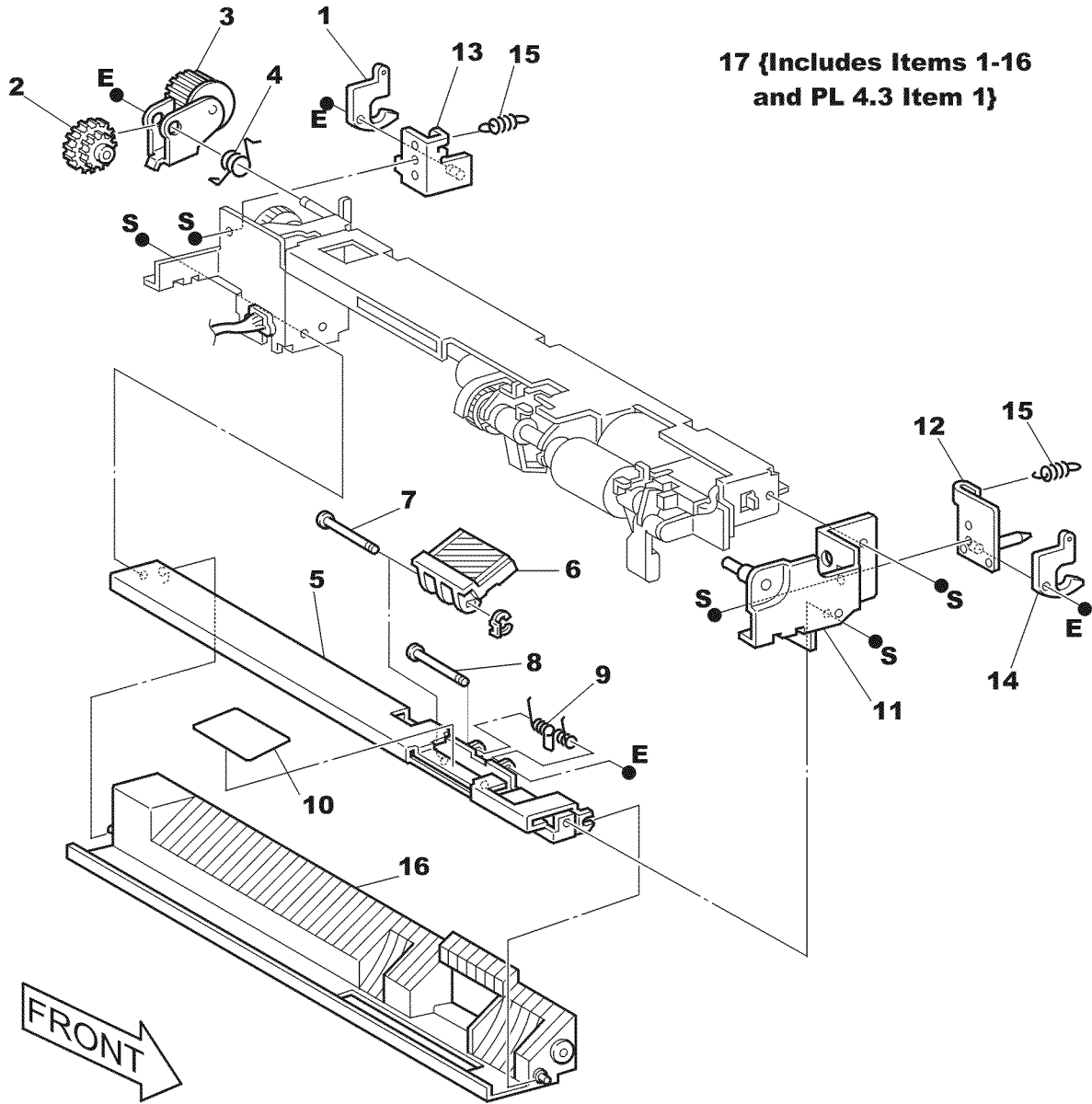
PL 4.1 Multi-Sheet Bypass Feeder (MBF) / Duplex Support

Item	Part	Description
1)	48E37370	Support Front Cover
2)	48K58760	Support Rear Cover
3)	-----	Support Assembly
4)	162K20380	Drawer Harness Assembly
5)	-----	Damper Front Spring
6)	-----	Damper Rear Spring
7)	59K13590	MBF Assembly {Includes Items 8 through 12 and PL4.2 Item 17}
8)	48E37401	Top Cover {P/O Item 7}
9)	-----	Tray Support {P/O Item 7}
10)	-----	Hinge Stud {P/O Item 7}
11)	-----	Tray Spring {P/O Item 7}
12)	-----	Harness Clamp {P/O Item 7}
A)	600K65640	Screw Kit



PL 4.2 Multi-Sheet Bypass Feeder Assembly

Item	Part	Description
1)	-----	Rear Latch {P/O Item 17}
2)	-----	Link Gear {P/O Item 17}
3)	-----	Drive Gear Assembly {P/O Item 17}
4)	-----	Drive Link Spring {P/O Item 17}
5)	-----	Tie Plate {P/O Item 17}
6)	19K92810	Pad {P/O Item 17}
7)	-----	Pad Pin {P/O Item 17}
8)	-----	Pad Shaft {P/O Item 17}
9)	-----	Pad Spring {P/O Item 17}
10)	-----	Paper Guide {P/O Item 17}
11)	-----	Bracket {P/O Item 17}
12)	-----	Bracket Front Hook {P/O Item 17}
13)	-----	Bracket Rear Hook {P/O Item 17}
14)	-----	Front Latch {P/O Item 17}
15)	-----	Hook Spring {P/O Item 17}
16)	-----	Lower Chute {P/O Item 17}
17)	59K06110	MBF Supporting Assembly (Includes Items 1 through 16 and PL 4.3 Item 1)
A)	600K65640	Screw Kit

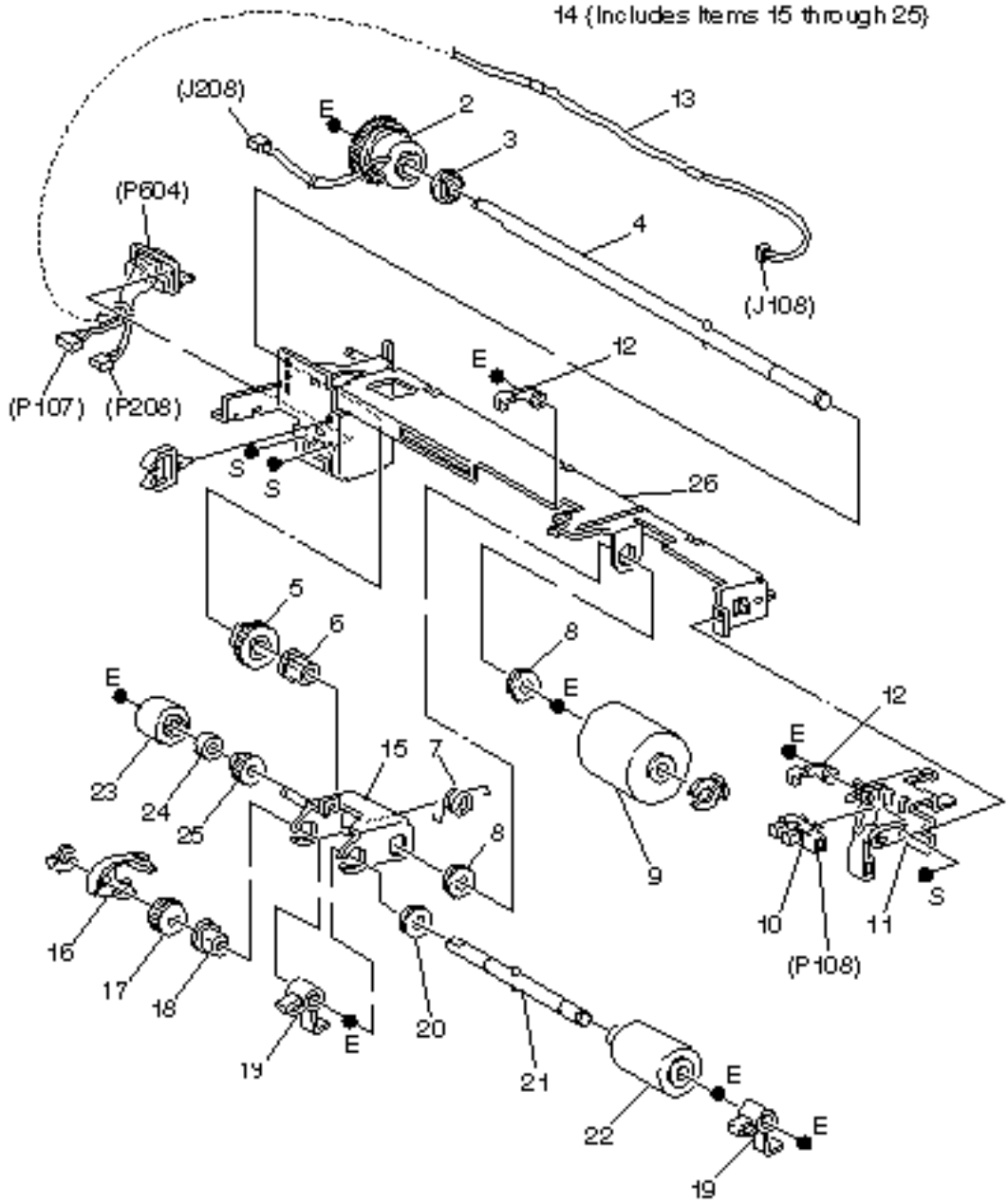


SER514F

PL 4.3 MBF Upper Feeder Assembly

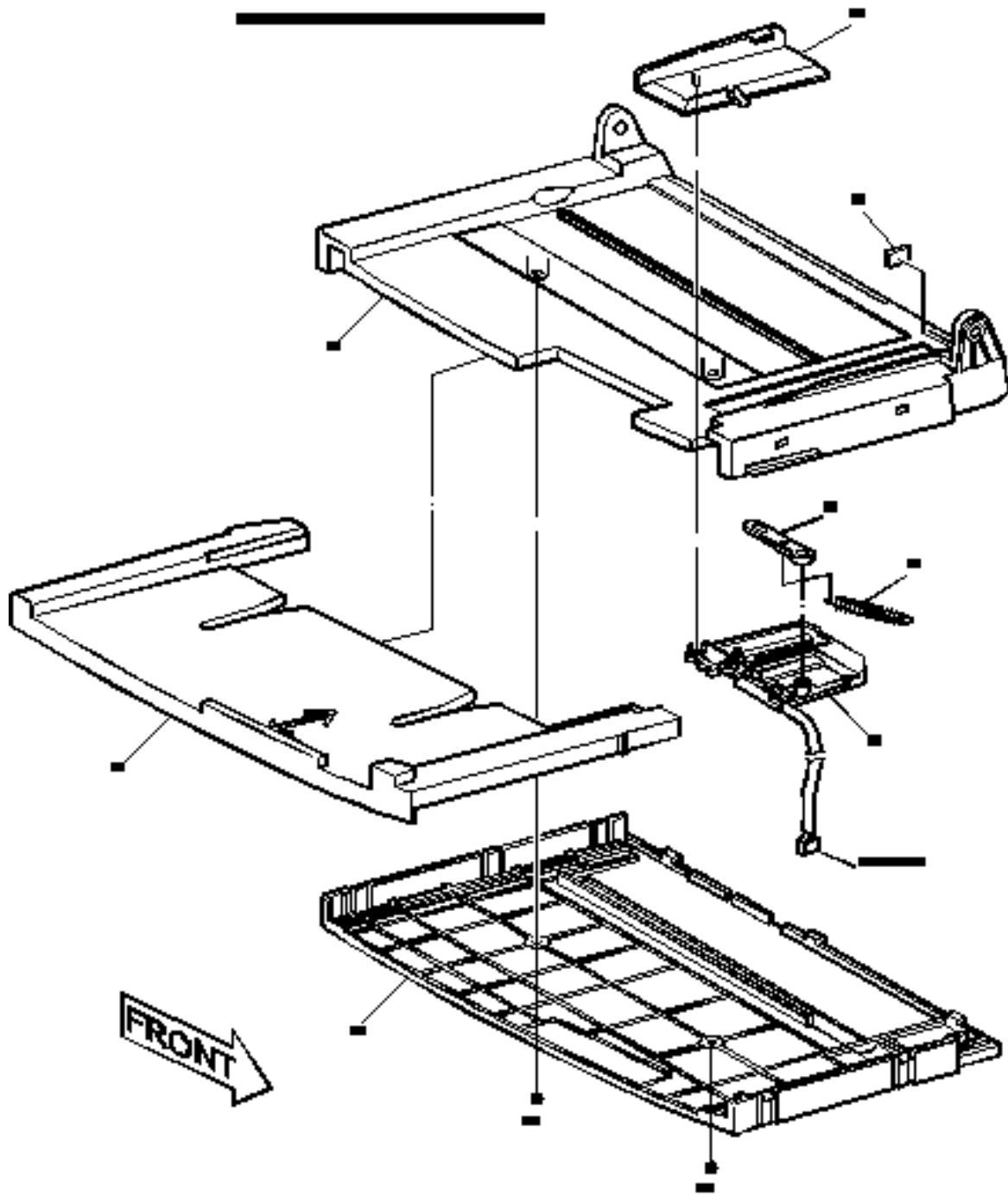
Item	Part	Description
1)	-----	Upper Feeder Assembly {Includes Items 2 through 26} {P/O PL 4.1, Item 17}
2)	121K82880	Feed Clutch {P/O Item 1}
3)	-----	Rear 1 Feed Bearing {P/O Item 1}
4)	-----	Feed Shaft {P/O Item 1}
5)	-----	Feed Gear {P/O Item 1}
6)	-----	Rear 2 Feed Bearing {P/O Item 1}
7)	-----	Feed Spring {P/O Item 1}
8)	-----	Front Feed Bearing {P/O Item 1}
9)	22K93360	Feed Roller {P/O Item 1}
10)	107E94941	No Paper Sensor {P/O Item 1}
11)	-----	No Paper Sensor Bracket {P/O Item 1}
12)	-----	Stopper {P/O Item 1}
13)	-----	Wire Harness {P/O Item 1}
14)	59K00430	Nudger Roller Assembly {Includes Items 15 through 25} {P/O Item 1}
15)	-----	Nudger Roller Support {P/O Item 1} {P/O Item 14}
16)	-----	Nudger Gear Cover {P/O Item 1} {P/O Item 14}
17)	-----	Nudger Gear {P/O Item 1} {P/O Item 14}
18)	-----	Rear Nudger Bearing {P/O Item 1} {P/O Item 14}
19)	-----	Gate {P/O Item 1} {P/O Item 14}
20)	-----	Front Nudger Roller Bearing {P/O Item 1} {P/O Item 14}
21)	-----	Nudger Roller Shaft {P/O Item 1} {P/O Item 14}
22)	59K00440	Nudger Roller {P/O Item 1} {P/O Item 14}
23)	5K80880	Friction Clutch {P/O Item 1} {P/O Item 14}
24)	-----	Friction Clutch Spacer {P/O Item 1} {P/O Item 14}
25)	-----	Friction Clutch Gear {P/O Item 1} {P/O Item 14}
26)	-----	Upper Feeder Frame {P/O Item 1}
A)	600K65640	Screw Kit

1 (Includes Items 2 through 26)
 14 (Includes Items 15 through 25)



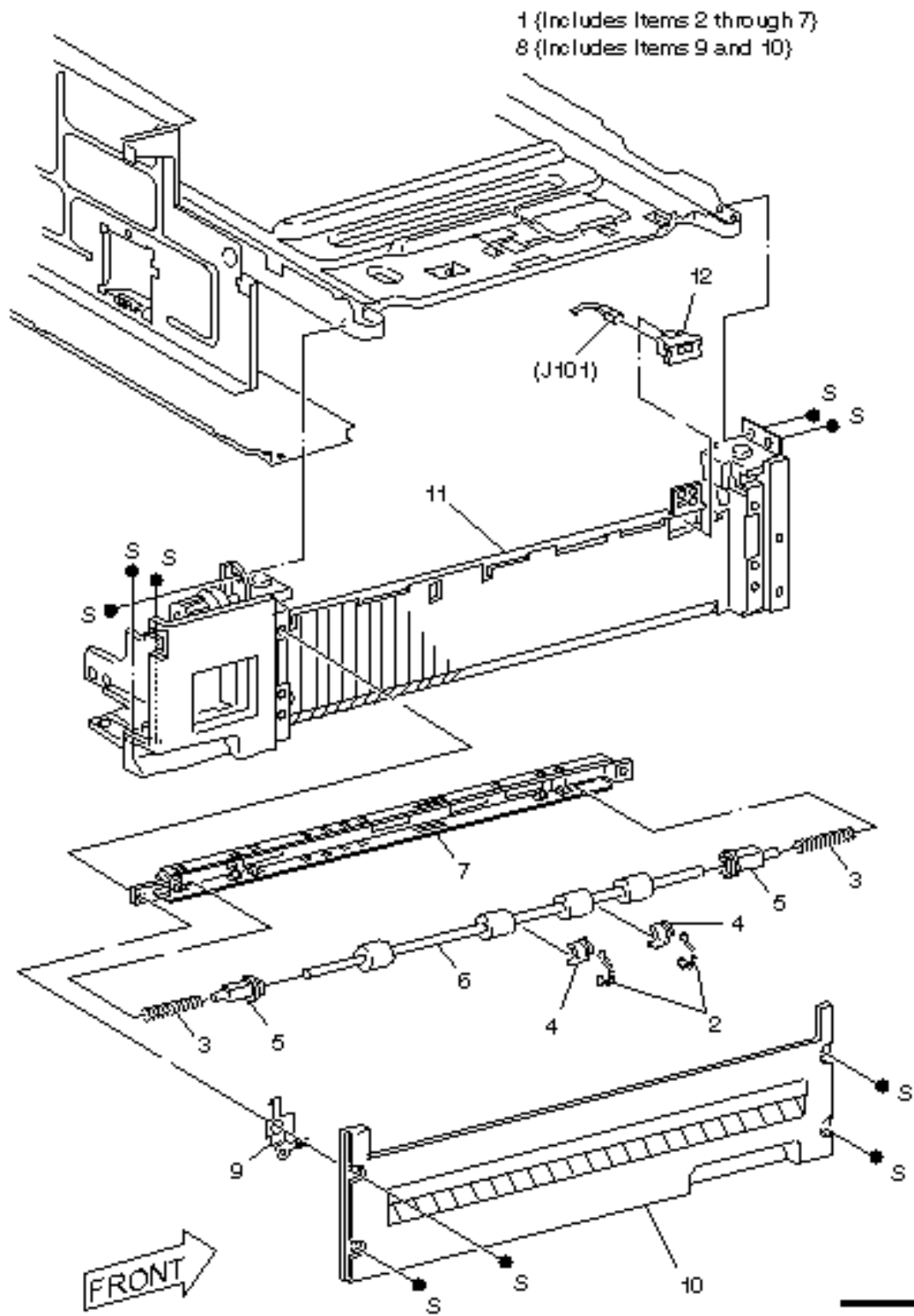
PL 4.4 MBF Tray Assembly

Item	Part	Description
1)	50K30711	Tray Assembly {Includes Items 2 through 9}
2)	-----	Side Pad {P/O Item 1}
3)	-----	Side Guide {P/O Item 1}
4)	130K83360	Size Sensor Assembly {P/O Item 1}
5)	-----	Size Guide Spring {P/O Item 1}
6)	-----	Size Guide Link {P/O Item 1}
7)	-----	Lower Cover {P/O Item 1}
8)	-----	Tray {P/O Item 1}
9)	-----	Upper Cover {P/O Item 1}
A)	600K65640	Screw Kit



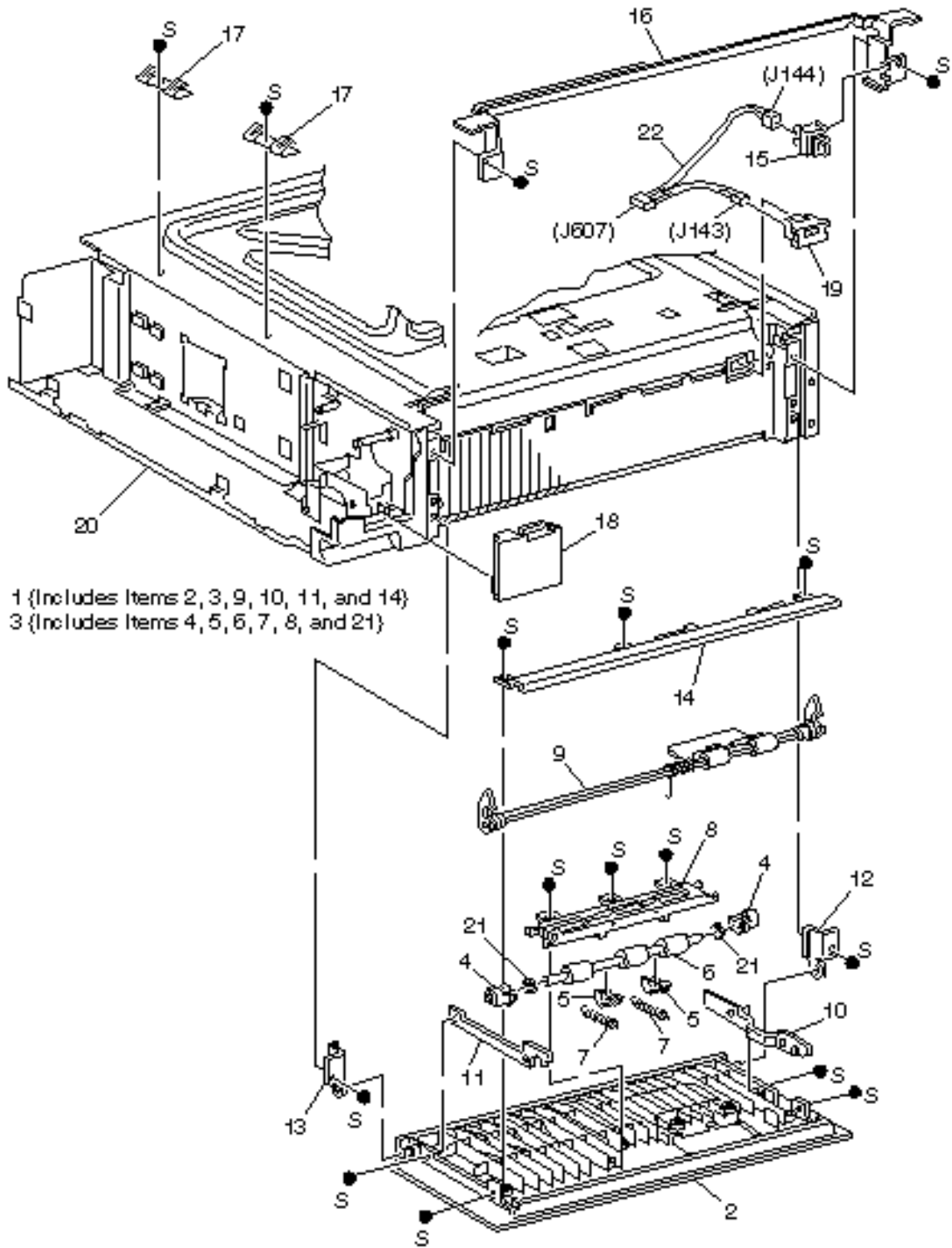
PL 5.1 Tray 1 Frame and Left Cover

Item	Part	Description
1)	68K79283	Pinch Roll Assembly {Includes Items 2 through 7}
2)	-----	Holding Spring {P/O Item 1}
3)	-----	Shaft Spring {P/O Item 1}
4)	-----	Center Bearing {P/O Item 1}
5)	-----	End Bearing {P/O Item 1}
6)	-----	Pinch Roller {P/O Item 1}
7)	-----	Pinch Roller Bracket {P/O Item 1}
8)	48K49430	Cover Assembly {Includes Items 9 and 10}
9)	-----	Grounding Metal {P/O Item 8}
10)	-----	Left Middle Cover {P/O Item 8}
11)	-----	Left Hand Frame
12)	130E81311	Take Away Sensor
A)	600K65640	Screw Kit



PL 5.2 Tray 2 Frame and Left Cover

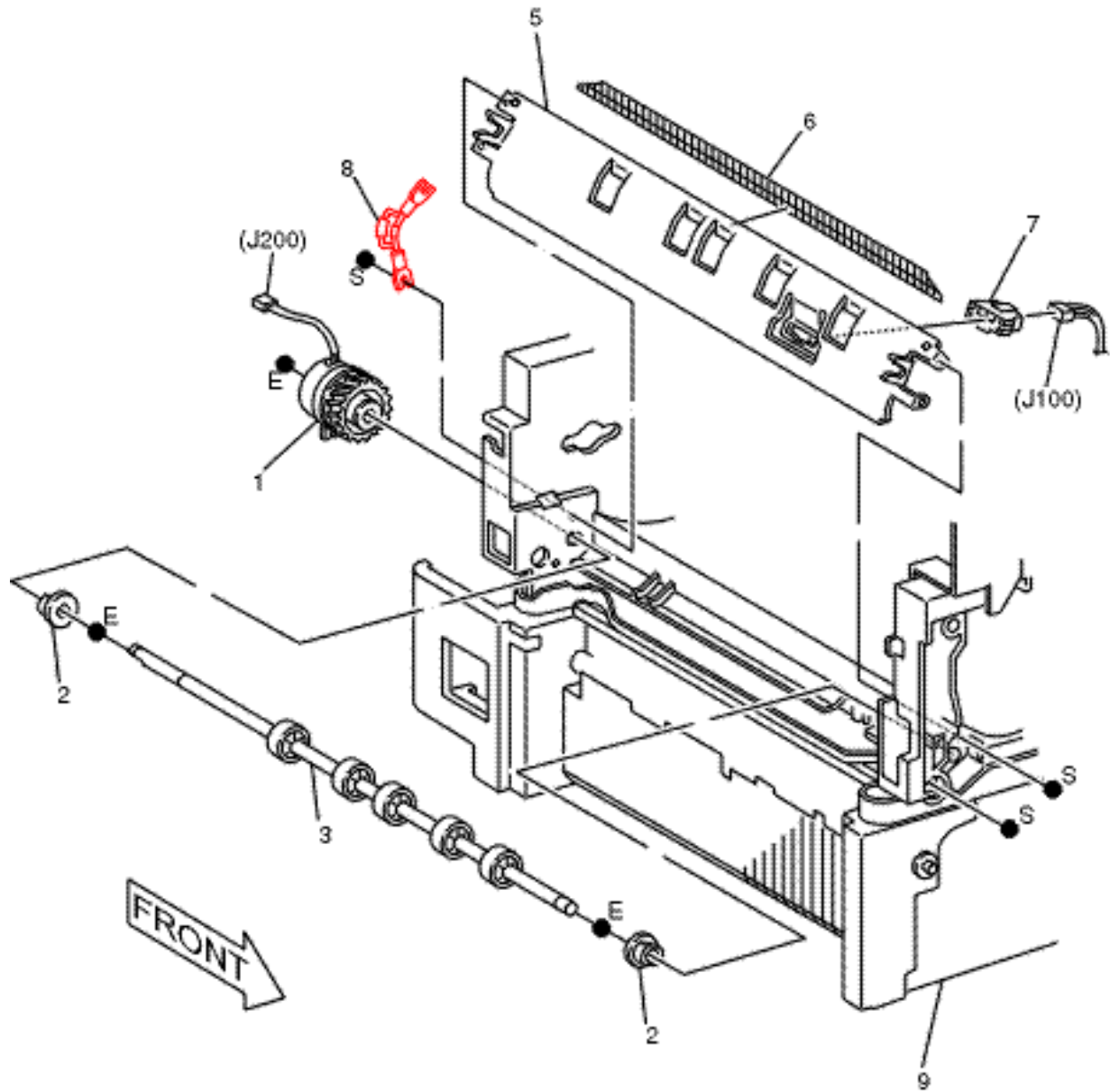
Item	Part	Description
1)	48K69960	Left Lower Cover Assembly {Includes Items 2, 3, 9, 10, 11, and 14}
2)	-----	Left Lower Cover {P/O Item 1}
3)	68K83512	Pinch Roll Assembly {Includes Items 4 through 8 and 21} {P/O Item 1}
4)	-----	Pinch Roll End Bearing {P/O Item 3}
5)	-----	Pinch Roll Center Bearing {P/O Item 3}
6)	-----	Pinch Roller {P/O Item 3}
7)	-----	Pinch Roll Spring {P/O Item 3}
8)	-----	Pinch Roll Bracket {P/O Item 3}
9)	-----	Left Lower Cover Handle Assembly {P/O Item 1}
10)	-----	Front Frame {P/O Item 1}
11)	-----	Rear Frame {P/O Item 1}
12)	-----	Front Hinge
13)	-----	Rear Hinge
14)	-----	Feed Out Chute {P/O Item 1}
15)	110E93440	Left Lower Cover Interlock Switch
16)	-----	Well Tie Plate
17)	-----	EME Spring
18)	-----	Cap
19)	130E81311	Tray 3Take Away Sensor
20)	-----	Rear Support
21)	-----	Washer {P/O Item 3}
22)	-----	Door B Interlock/Jam Sensor Harness
A)	600K65640	Screw Kit



PL 6.1 Registration

Item	Part	Description
1)	121K83200	Registration Clutch Assembly
2)	-----	Bearing
3)	22K33900	Registration Roller Assembly
4)	54K04252	Registration Chute Assembly {Includes Items 5 and 6}
5)	-----	Registration Chute {P/O Item 4}
6)	-----	Static Eliminator {P/O Item 4}
7)	130E81311	Registration Sensor
8)	103K80192	Resistor/Capacitor Assembly Tag 15
9)	-----	Left Hand Frame
A)	600K65640	Screw Kit

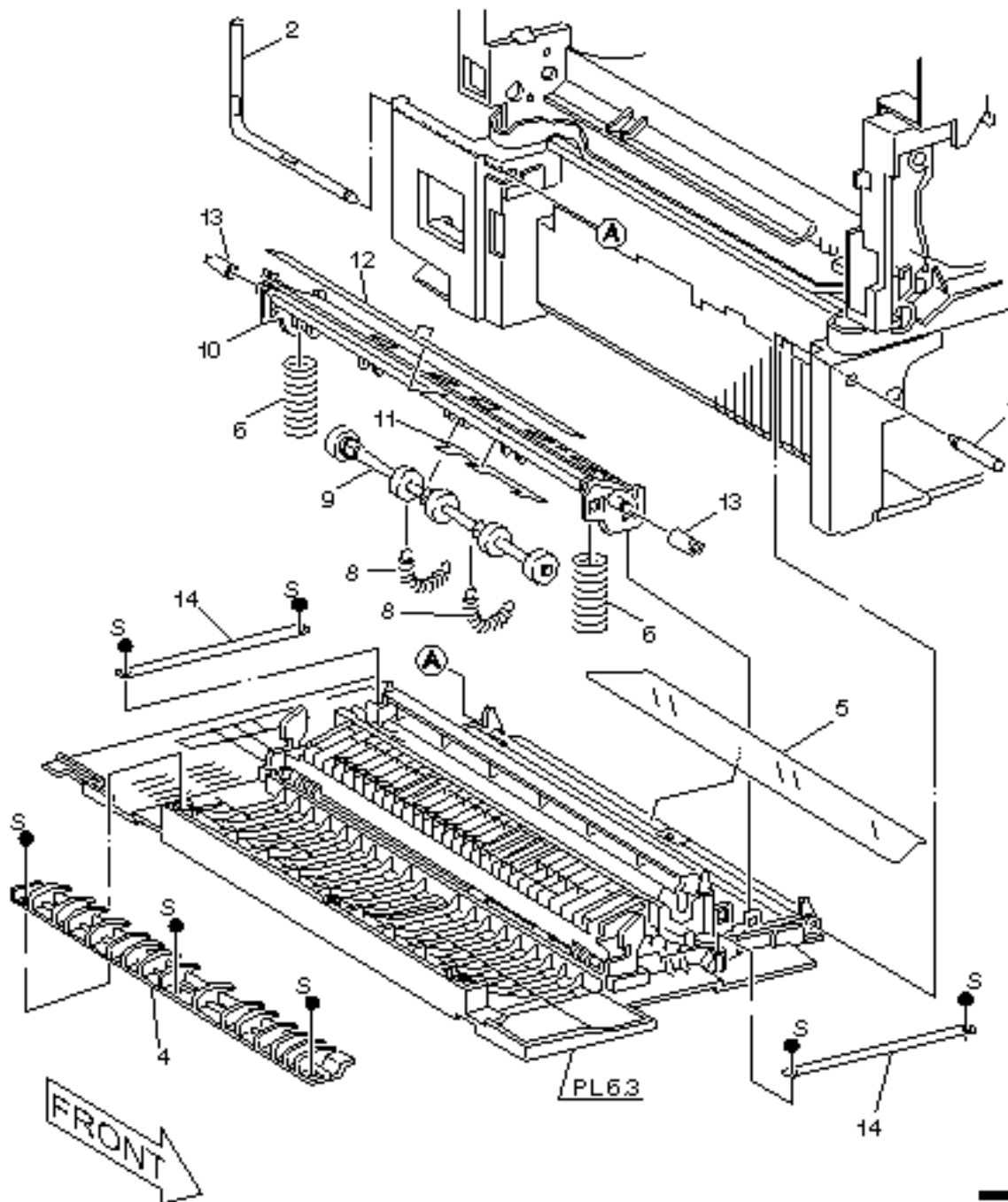
4 (Includes Items 5 and 6)



PL 6.2 Left Upper Cover Assembly

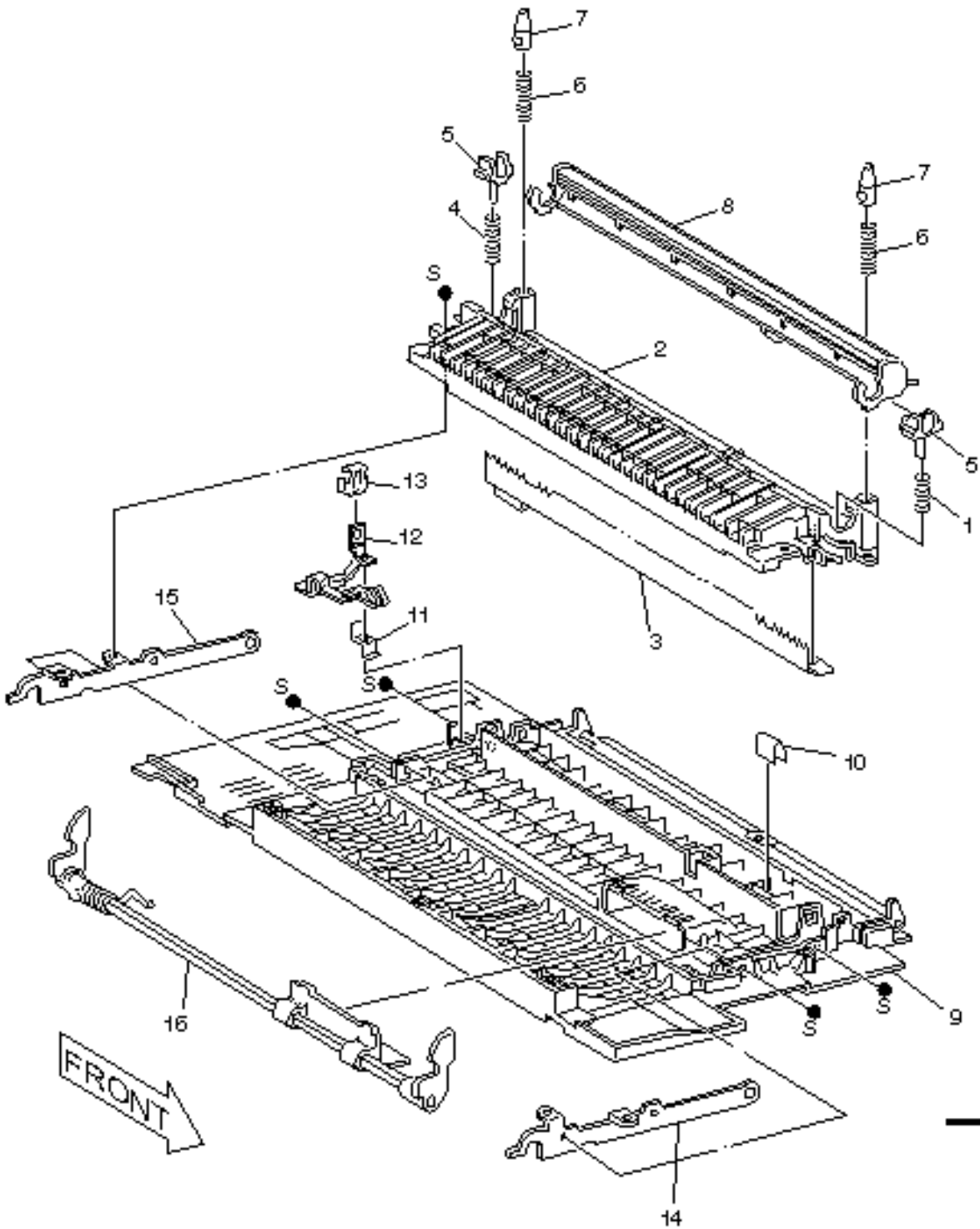
Item	Part	Description
1)	-----	Hinge Front Shaft
2)	-----	Hinge Rear Shaft
3)	48K57322	Cover Assembly {Includes Items 4 through 14 and PL6.3 Items 1 through 16}
4)	-----	Lower Chute {P/O Item 3}
5)	-----	Paper Guide {P/O Item 3}
6)	-----	Complete Spring {P/O Item 3}
7)	54K88605	Chute Assembly {Includes Items 8 through 13} {P/O Item 3}
8)	-----	Extension Spring {P/O Item 3} {P/O Item 7}
9)	-----	Registration Roller Assembly {P/O Item 3} {P/O Item 7}
10)	-----	Registration Chute Assembly {P/O Item 3} {P/O Item 7}
11)	-----	Paper Guide {P/O Item 3} {P/O Item 7}
12)	-----	Paper Guide {P/O Item 3} {P/O Item 7}
13)	-----	Pulley {P/O Item 3} {P/O Item 7}
14)	74E91101	Cover Support {P/O Item 3}
A)	600K65640	Screw Kit

3 {Includes Items 4 through 14 and all PL 6.3}
 7 {Includes Items 8 through 13}



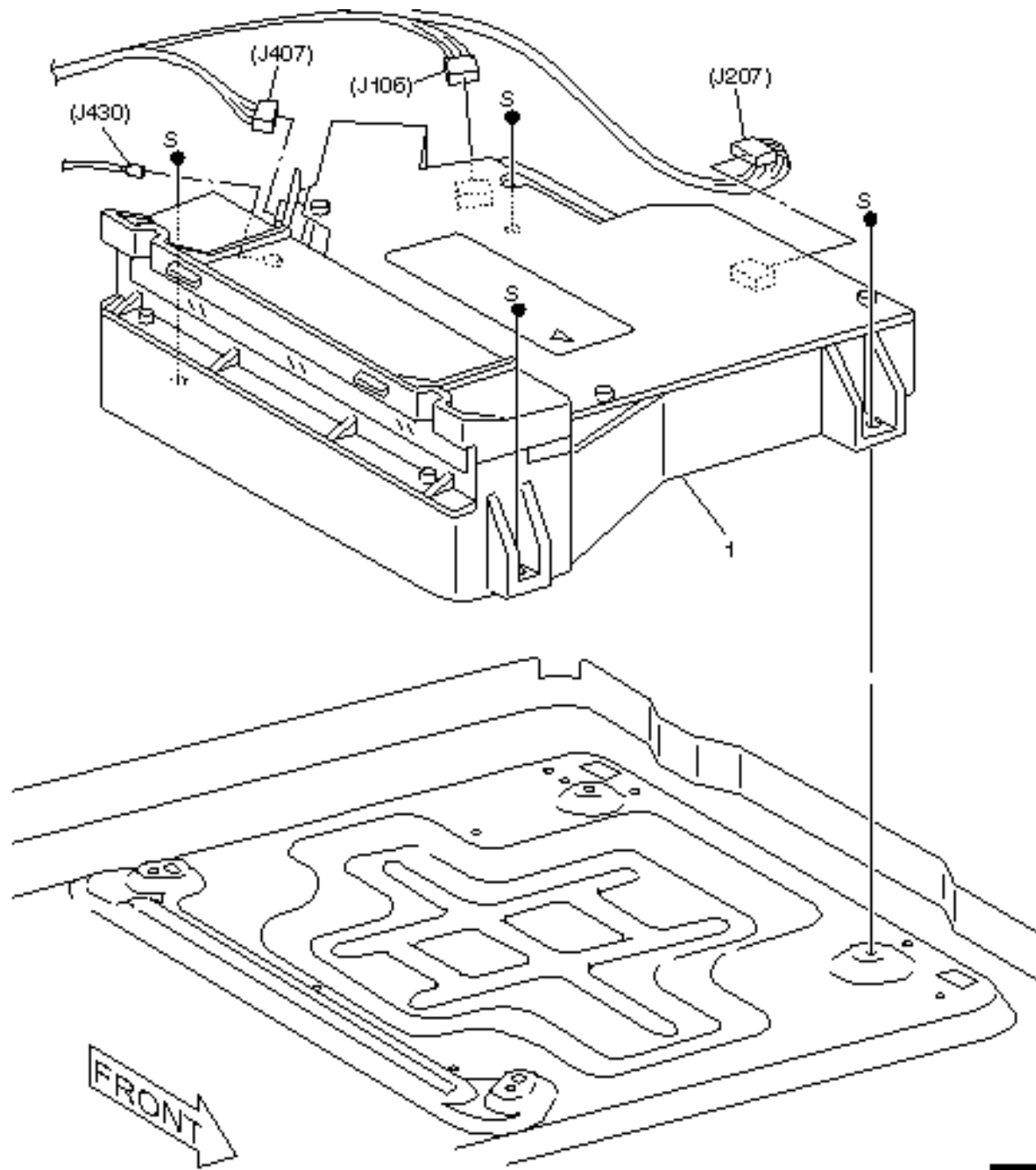
PL 6.3 Transport Chute Assembly

Item	Part	Description
1)	-----	Inner BTR Sleeve Spring {P/O PL 6.2 Item 3}
2)	-----	Transport Chute {P/O PL 6.2 Item 3}
3)	-----	Plate Eliminator {P/O PL 6.2 Item 3}
4)	-----	Outer BTR Sleeve Spring {P/O PL 6.2 Item 3}
5)	-----	BTR Sleeve {P/O PL 6.2 Item 3}
6)	-----	Transport Chute Spring {P/O PL 6.2 Item 3}
7)	-----	Transport Chute Rod {P/O PL 6.2 Item 3}
8)	-----	Transport Chute Inlet {P/O PL 6.2 Item 3}
9)	-----	Cover Assembly {P/O PL 6.2 Item 3}
10)	-----	Pad {P/O PL 6.2 Item 3}
11)	-----	Bracket {P/O PL 6.2 Item 3}
12)	-----	Contact Plate {P/O PL 6.2 Item 3}
13)	-----	Contact Plate {P/O PL 6.2 Item 3}
14)	-----	Front Frame {P/O PL 6.2 Item 3}
15)	-----	Rear Frame {P/O PL 6.2 Item 3}
16)	-----	Handle Assembly {P/O PL 6.2 Item 3}
A)	600K65640	Screw Kit



PL 7.1 Laser Assembly

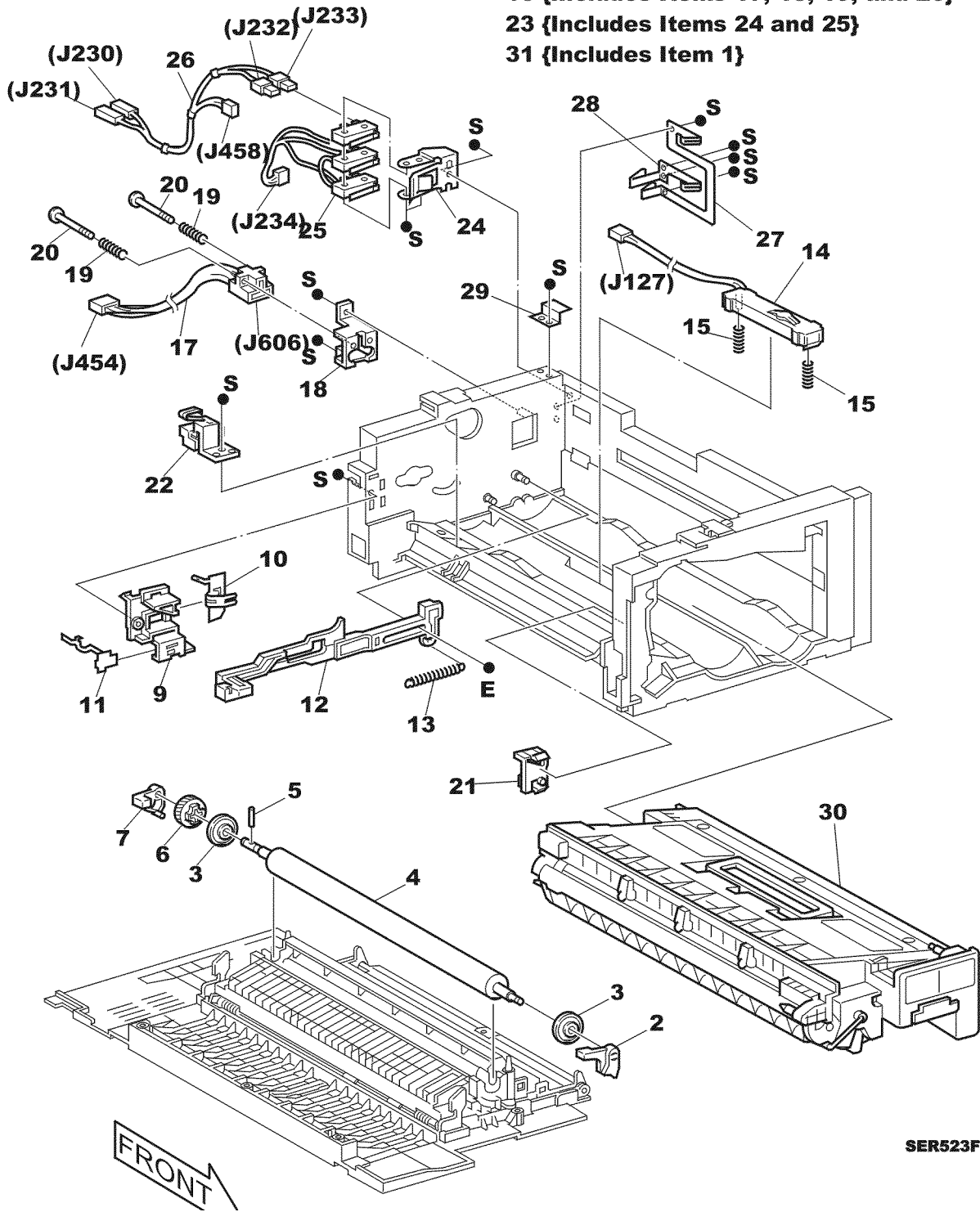
Item	Part	Description
1)	62K97924	Laser Assembly
A)	600K65640	Screw Kit



PL 7.2 Xerography and Development

Item	Part	Description
1)	22K48230	BTR Assembly {Includes Items 2 through 7}
2)	-----	BTR Front Lever {P/O Item 1}
3)	-----	BTR Roll Bearing {P/O Item 1}
4)	-----	BTR Roll {P/O Item 1}
5)	-----	BTR Positioning Pin {P/O Item 1}
6)	-----	BTR Gear {P/O Item 1}
7)	-----	BTR Gear Lever {P/O Item 1}
8)	38K81662	BTR/DTS Guide Assembly {Includes Items 9, 10, and 11}
9)	-----	BTR/DTS Guide Bracket {P/O Item 8}
10)	-----	BTR Lead Plate {P/O Item 8}
11)	-----	DTS Lead Plate {P/O Item 8}
12)	24K92311	DTS Link Rod
13)	-----	DTS Link Spring
14)	130K55760	Toner Empty Sensor
15)	9E55260	Toner Sensor Spring
16)	162K26540	Connector Assembly {Includes Items 17 through 20}
17)	-----	Connector {P/O Item 16}
18)	-----	Connector Bracket {P/O Item 16}
19)	-----	Connector Spring {P/O Item 16}
20)	-----	Stud Screw {P/O Item 16}
21)	-----	BTR Guide
22)	19K93342	Charge Bias Assembly
23)	110K98770	EP Cartridge Interlock Switch Assembly {Includes Items 24 and 25}
24)	-----	EP Cartridge Interlock Switch Bracket {P/O Item 23}
25)	-----	EP Cartridge Interlock Switch {P/O Item 23}
26)	-----	EP Cartridge Interlock Harness
27)	15E50040	Plate Contact
28)	15E50050	Plate Contact
29)	-----	PWB Stud
30)	113R00173	EP Cartridge
	113R00184	EP Cartridge (Xerox Europe)
31)	109R00486	115V Customer Maintenance Kit {Includes Item 1}
	109R00487	220V Customer Maintenance Kit {Includes Item 1}
A)	600K65640	Screw Kit

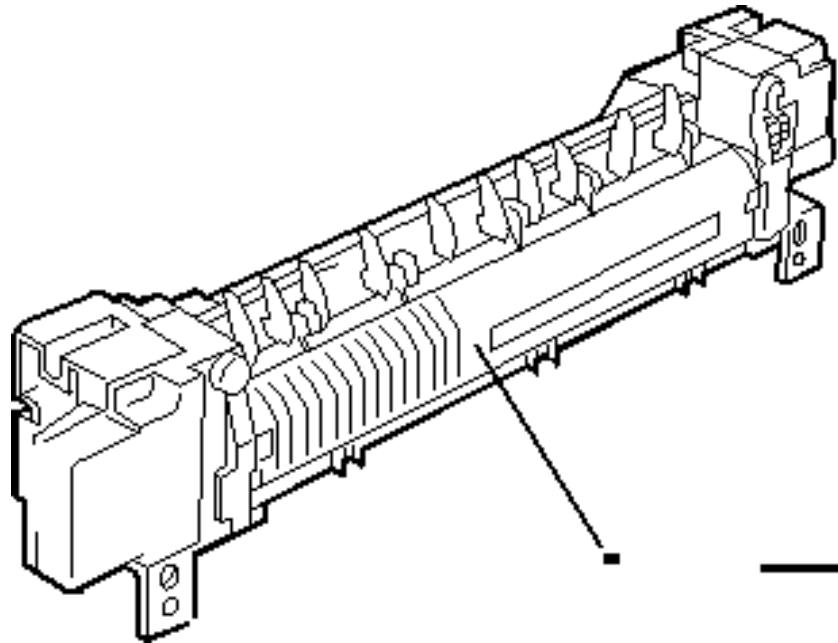
- 1 {Includes Items 2 through 7}
- 8 {Includes Items 9, 10, and 11}
- 16 {Includes Items 17, 18, 19, and 20}
- 23 {Includes Items 24 and 25}
- 31 {Includes Item 1}



SER523F

PL 8.1 Fuser Assembly

Item	Part	Description
1)	126K10011	Fuser Assembly - 115V
	126K10021	Fuser Assembly - 220V
2)	109R00486	115V Customer Maintenance Kit {Includes Item 1}
	109R00487	220V Customer Maintenance Kit {Includes Item 1}
A)	600K65640	Screw Kit



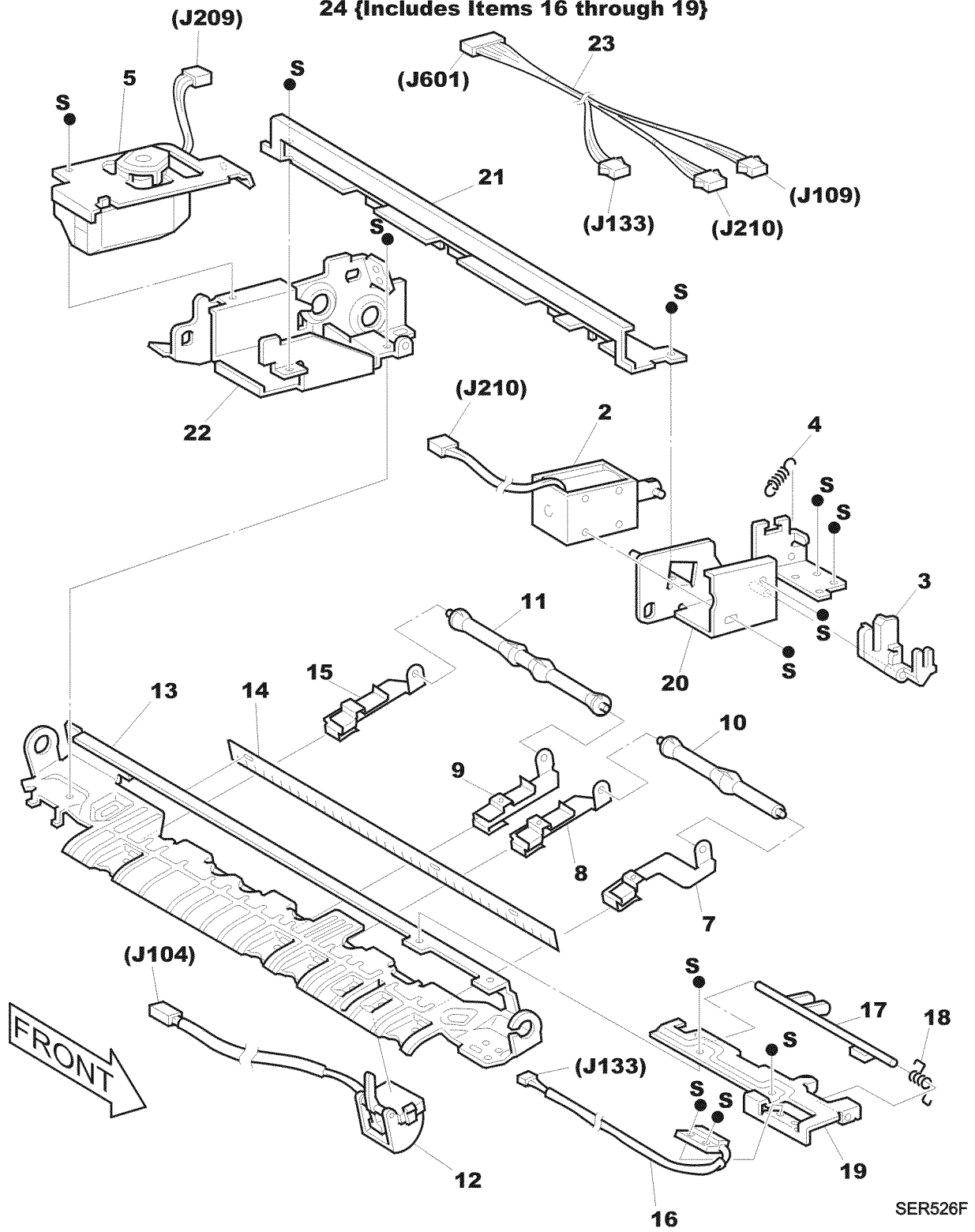
PL 9.1 Exit Lower Chute

Item	Part	Description
1)	22K57190	Offset / Exit Unit {Includes Items 2 through 22 and all Items in PL9.2, PL9.3, and PL9.4}
2)	121K82870	Solenoid Assembly {P/O Item 1}
3)	-----	Solenoid Link {P/O Item 1}
4)	-----	Spring {P/O Item 1}
5)	127K18861	Offset Motor {P/O Item 1} Tag 16
6)	54K06202	Lower Chute Assembly {Includes Items 7 through 14} {P/O Item 1}
7)	-----	Front 1 Pinch Roller Spring {P/O Item 1} {P/O Item 6}
8)	-----	Rear 1 Pinch Roller Spring {P/O Item 1} {P/O Item 6}
9)	-----	Front 2 Pinch Roller Spring {P/O Item 1} {P/O Item 6}
10)	-----	Front Pinch Roller {P/O Item 1} {P/O Item 6}
11)	-----	Rear Pinch Roller {P/O Item 1} {P/O Item 6}
12)	110K94631	Fuser Exit Sensor {P/O Item 1} {P/O Item 6}
13)	-----	Lower Chute {P/O Item 1} {P/O Item 6}
14)	-----	Static Eliminator {P/O Item 1} {P/O Item 6}
15)	-----	Rear 2 Pinch Roll Spring {P/O Item 1}
16)	110K98480	Stack Full Sensor {P/O Item 1}
17)	-----	Stack Full Actuator {P/O Item 1}
18)	-----	Stack Full Sensor Spring {P/O Item 1}
19)	-----	Stack Full Sensor Bracket {P/O Item 1}
20)	-----	Front Bracket Assembly {P/O Item 1}
21)	-----	Front Frame Assembly {P/O Item 1}
22)	-----	Lower Chute {P/O Item 1}
23)	-----	Exit/Stack Full Harness Assembly
24)	110K98830	Stack Full Switch Assembly (Includes items 16 through 19)
A)	600K65640	Screw Kit

1 {Includes all items in PL 9.1, PL 9.2, PL 9.3, and PL9.4}

6 {Includes Items 7 through 14}

24 {Includes Items 16 through 19}



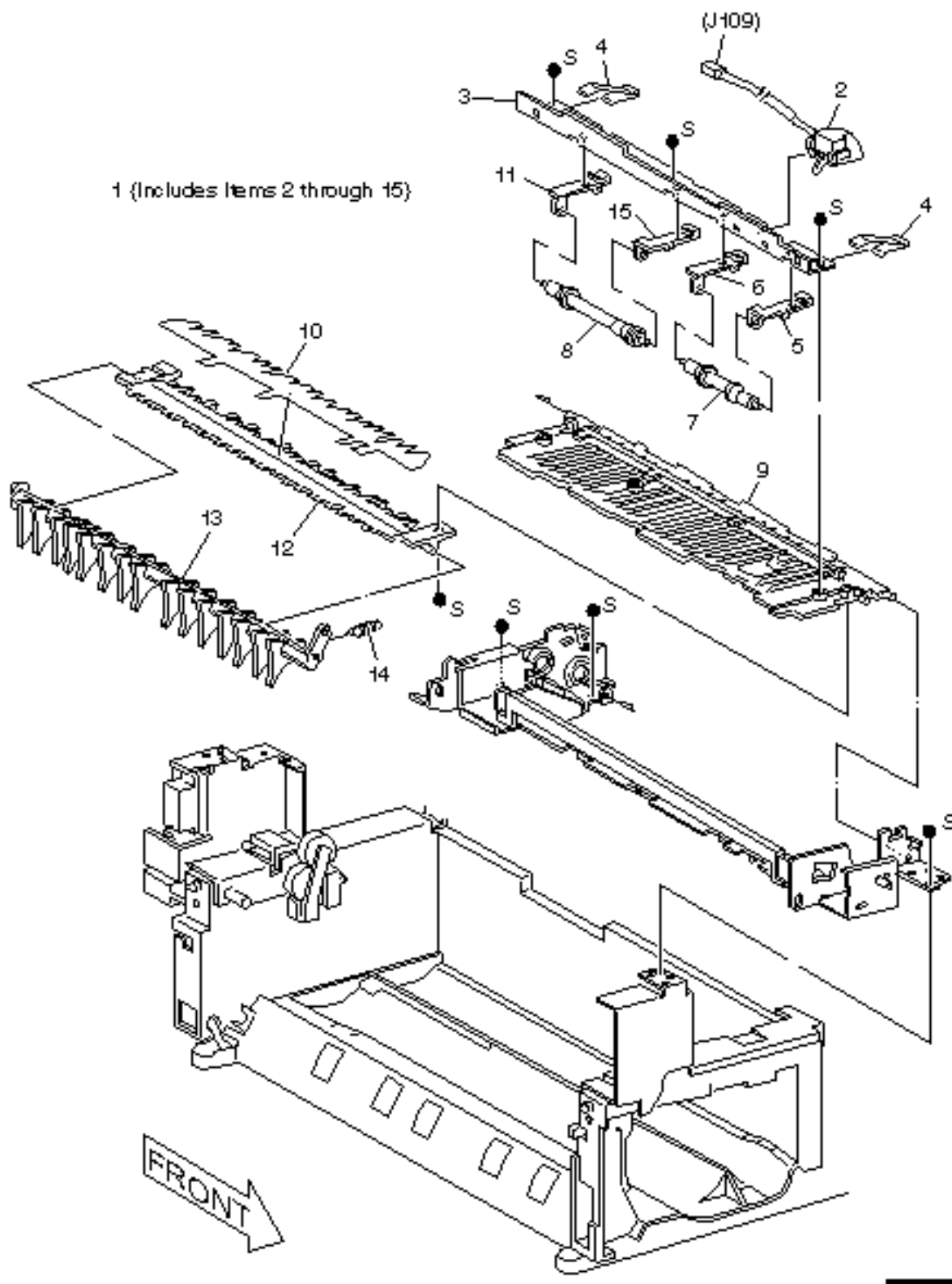
SER526F

PL 9.2 Offset Roller

Item	Part	Description
1)	-----	Bearing {P/O PL 9.1 Item 1}
2)	22K35430	Face Up Exit Roller Assembly {P/O PL 9.1 Item 1}
3)	-----	19T Gear {P/O PL 9.1 Item 1}
4)	22K57200	Offset Roller Assembly {Includes Items 5 through 9} {P/O PL 9.1 Item 1}
5)	-----	Offset Rack {P/O PL 9.1 Item 1}
6)	-----	Offset Bracket {P/O PL 9.1 Item 1}
7)	-----	Offset Roller Sleeve {P/O PL 9.1 Item 1}
8)	-----	Offset Roller {P/O PL 9.1 Item 1}
9)	-----	Offset Roller Bearing Rear {P/O PL 9.1 Item 1}
10)	-----	Offset Roller Bearing Front {P/O PL 9.1 Item 1}
11)	-----	Offset Shaft {P/O PL 9.1 Item 1}
12)	-----	Offset Shaft Pin {P/O PL 9.1 Item 1}
13)	-----	19T Gear {P/O PL 9.1 Item 1}
A)	600K65640	Screw Kit

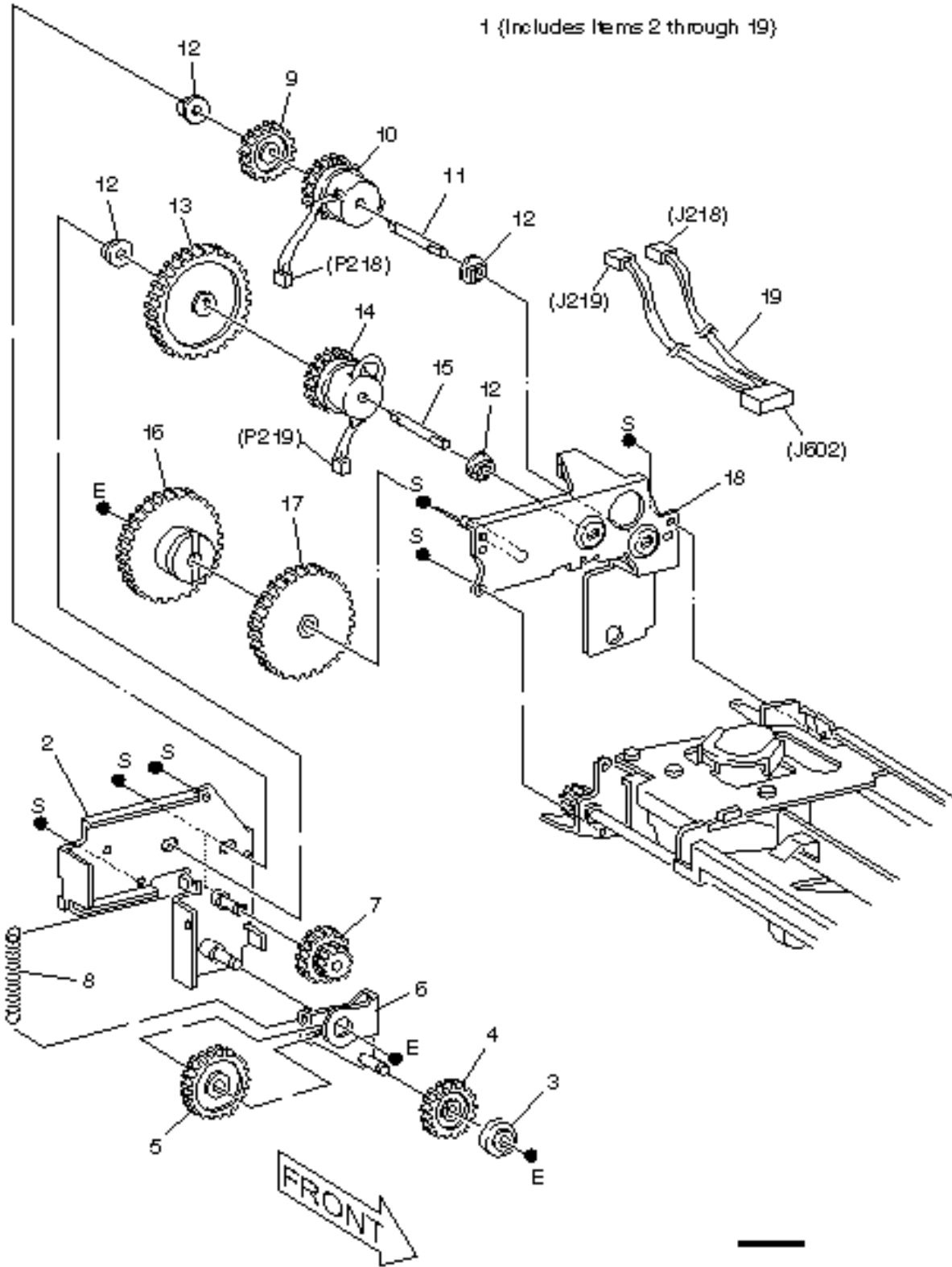
PL 9.3 Exit Upper Chute Assembly

Item	Part	Description
1)	54K08504	Upper Chute Assembly {Includes Items 2 through 15} {P/O PL 9.1 Item 1}
2)	110K94651	Face Up Exit Switch Assembly {P/O Item 1}
3)	-----	Tie Plate {P/O Item 1}
4)	-----	Spring Plate {P/O Item 1}
5)	-----	H Pinch Spring Assembly {P/O Item 1}
6)	-----	I Pinch Spring Assembly {P/O Item 1}
7)	-----	Front Pinch Roller {P/O Item 1}
8)	-----	Rear Pinch Roller {P/O Item 1}
9)	-----	Exit Upper Chute {P/O Item 1}
10)	-----	Guide Paper {P/O Item 1}
11)	-----	K Pinch Spring Assembly {P/O Item 1}
12)	-----	Exit Middle Chute {P/O Item 1}
13)	-----	Exit Gate {P/O Item 1}
14)	-----	Exit Gate Spring {P/O Item 1}
15)	-----	J Pinch Spring Assembly {P/O Item 1}
A)	600K65640	Screw Kit



PL 9.4 Exit Drive Assembly

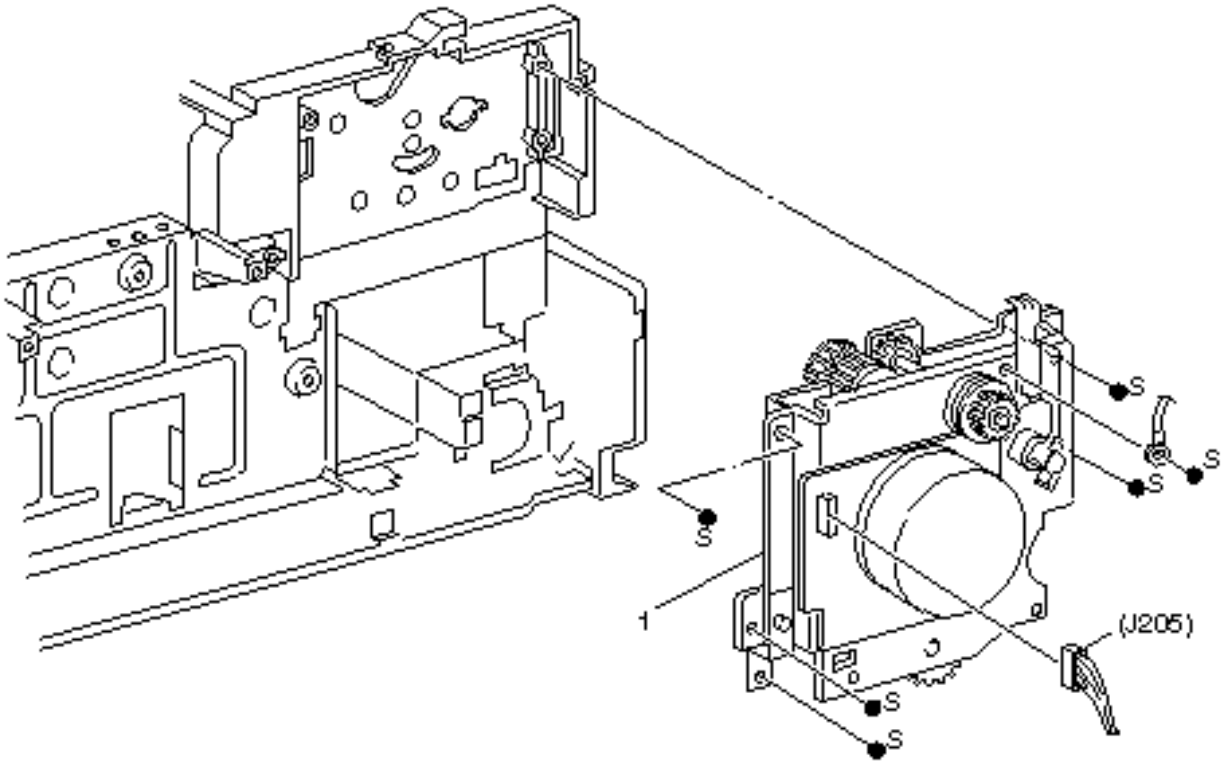
Item	Part	Description
1)	68K12271	Exit Drive Assembly {Includes Items 2 through 19} {P/O PL 9.1 Item 1}
2)	-----	Exit Drive Support {P/O Item 1}
3)	-----	Exit Drive Idler Pulley {P/O Item 1}
4)	-----	Exit Gear 1 {P/O Item 1}
5)	-----	Exit Gear 2 {P/O Item 1}
6)	-----	Exit Gear 2 Bracket {P/O Item 1}
7)	-----	Exit Idler Gear {P/O Item 1}
8)	-----	Exit Ratchet Spring {P/O Item 1}
9)	-----	Inverter CCW Gear {P/O Item 1}
10)	121K84520	Inverter CCW Clutch {P/O Item 1}
11)	-----	Inverter CCW Shaft {P/O Item 1}
12)	-----	Bearing {P/O Item 1}
13)	-----	Inverter CW Gear {P/O Item 1}
14)	121K84520	Inverter CW Clutch {P/O Item 1}
15)	-----	Inverter CW Shaft {P/O Item 1}
16)	-----	Rear Inverter Exit Gear {P/O Item 1}
17)	-----	Front Inverter Exit Gear {P/O Item 1}
18)	-----	Inverter Bracket {P/O Item 1}
19)	-----	Exit Wire Harness {P/O Item 1}
A)	600K65640	Screw Kit



1 (Includes Items 2 through 19)

PL 10.1 Main Drive Assembly

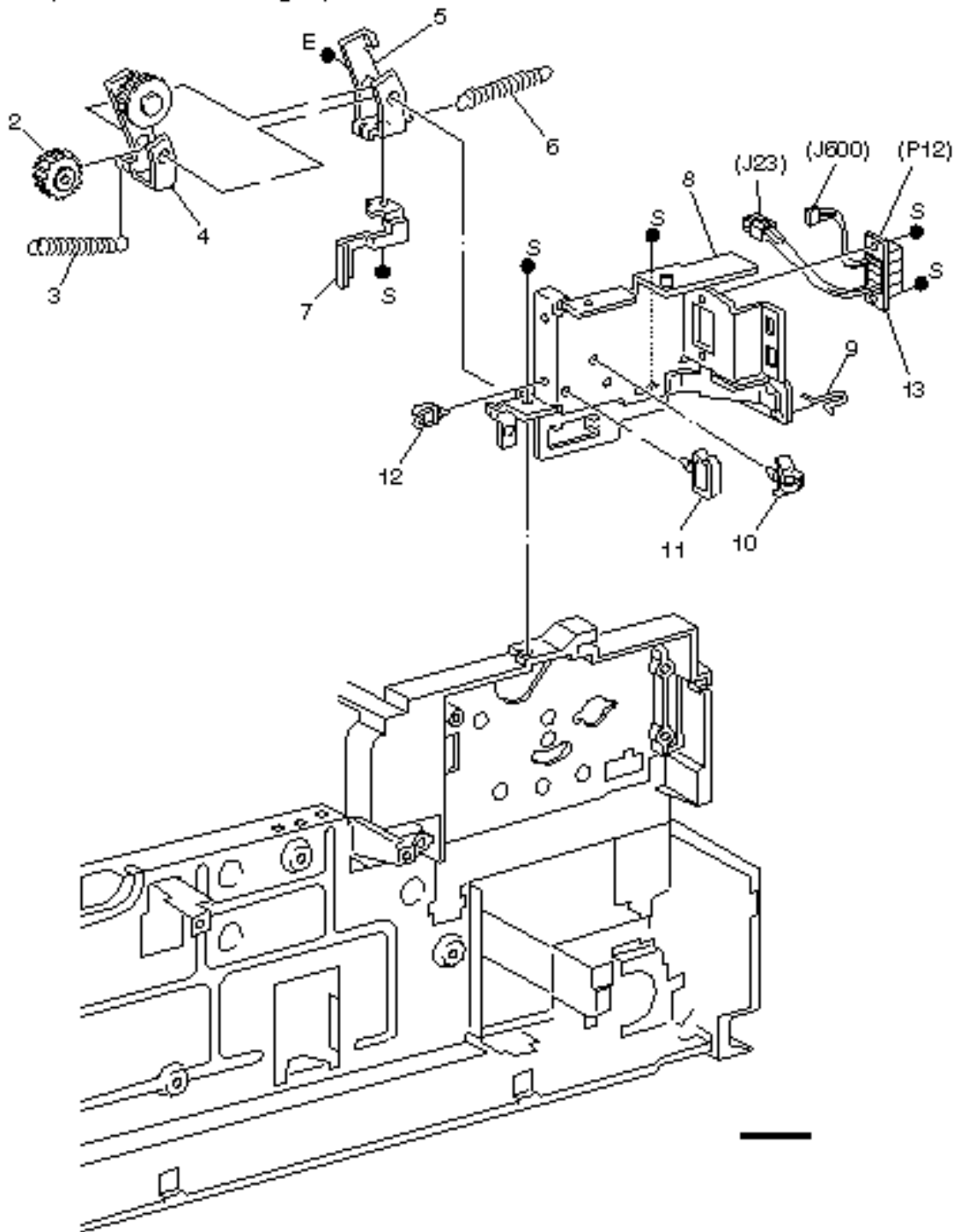
Item	Part	Description
1)	7K83446	Main Drive Assembly
	7K83507	Alternative
A)	600K65640	Screw Kit



PL 10.2 Fuser Drive Assembly

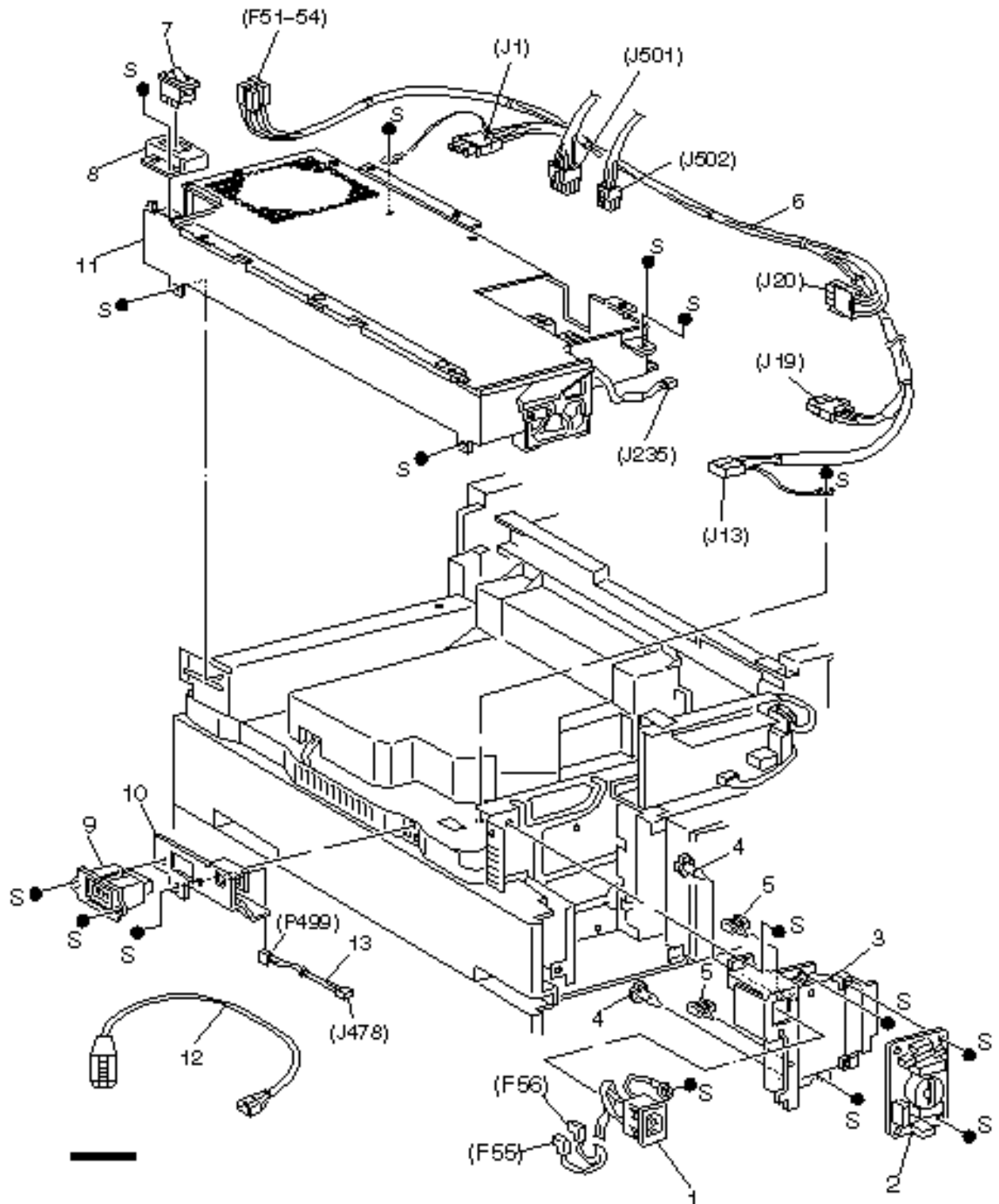
Item	Part	Description
1)	68K11604	Rear Exit Frame Assembly {Includes Items 2 through 9}
2)	-----	22T Gear {P/O Item 1}
3)	-----	Spring {P/O Item 1}
4)	-----	Bracket Assembly {P/O Item 1}
5)	-----	Bracket {P/O Item 1}
6)	-----	Exit Spring {P/O Item 1}
7)	-----	Bracket {P/O Item 1}
8)	-----	Rear Exit Frame Assembly {P/O Item 1}
9)	-----	Stopper Hook {P/O Item 1}
10)	-----	Harness Clamp 1
11)	-----	Harness Clamp 2
12)	-----	Harness Clamp 3
13)	-----	Fuser Harness Assembly
A)	600K65640	Screw Kit

1 (Includes Items 2 through 9)



PL 11.1 Power Inlet and LVPS

Item	Part	Description
1)	-----	Power Inlet Connector
2)	160K35141	115V Noise Filter PWB
	160K35151	220V Noise Filter PWB
3)	-----	Noise Filter Bracket
4)	-----	PWB Stud
5)	-----	Harness Clamp
6)	-----	Main Power Harness
7)	910W00202	Main Power Switch
8)	-----	Bracket Assembly Switch
9)	-----	Option Outlet
10)	-----	Bracket Finisher
11)	105K94942	115V LVPS Assembly
	105K94952	220V LVPS Assembly
12)	117K17510	115V Power Cord w/ GFI
	117K26830	220V Power Cord w/ GFI
13)	-----	Manufacturing Test Connector
A)	600K65640	Screw Kit

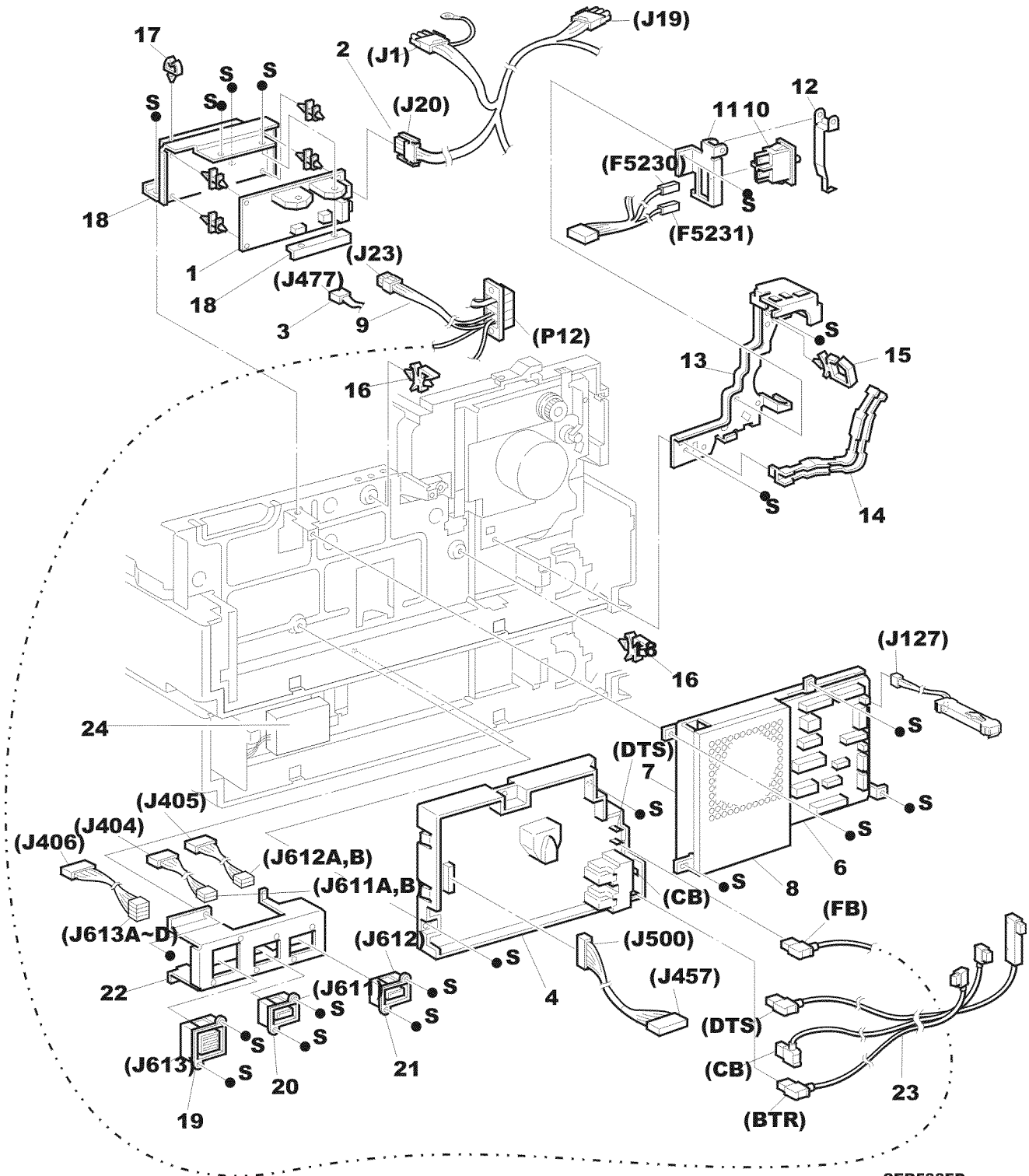


PL 11.2 HVPS and Printer Engine Controller PWB

Item	Part	Description
1)	160K47100	AC Driver PWB (Universal) {Tag 008}
2)	-----	AC Driver Power Harness
3)	-----	Printer Engine Controller Harness
4)	105K14541	HVPS
5)	101K34890	N24 Printer Engine Controller Assembly {Includes Items 6, 7, and 8}
	101K34700	N32/3225 Printer Engine Controller Assembly {Includes Items 6, 7, and 8}
	101K34710	N40/4025 Printer Engine Controller Assembly {Includes Items 6, 7, and 8}
6)	-----	Printer Engine Controller PWB {P/O Item 5}
7)	-----	Printer Engine Controller Bracket {P/O Item 5}
8)	-----	Printer Engine Controller Cover {P/O Item 5}
9)	-----	AC Driver - Fuser Harness
10)	110E93460	Left Cover Interlock Switch
11)	-----	Interlock Switch Bracket
12)	-----	Interlock Switch Lever
13)	-----	Support Harness
14)	-----	Harness Channel
15)	-----	Harness Clamp 2
16)	-----	PWB Support
17)	-----	Harness Clamp 4
18)	-----	Bracket AC Driver
19)	-----	HCF Connector
20)	-----	Mailbox / Finisher Connector
21)	-----	Duplex Connector
22)	-----	Connectors Bracket
23)	-----	Exit Harness Assembly
24)	-----	Flicker Transformer (220V Only) {Pre-Tag 008} <Deleted - See Section 5 Tag Matrix>
25)	600K67000	Hashika Repair Kit (Tag 6) [Includes Item 4, Item 9, & Instructions] [FOR USE ON PRE-TAG 7 PRINTERS ONLY]
A)	600K65640	Screw Kit

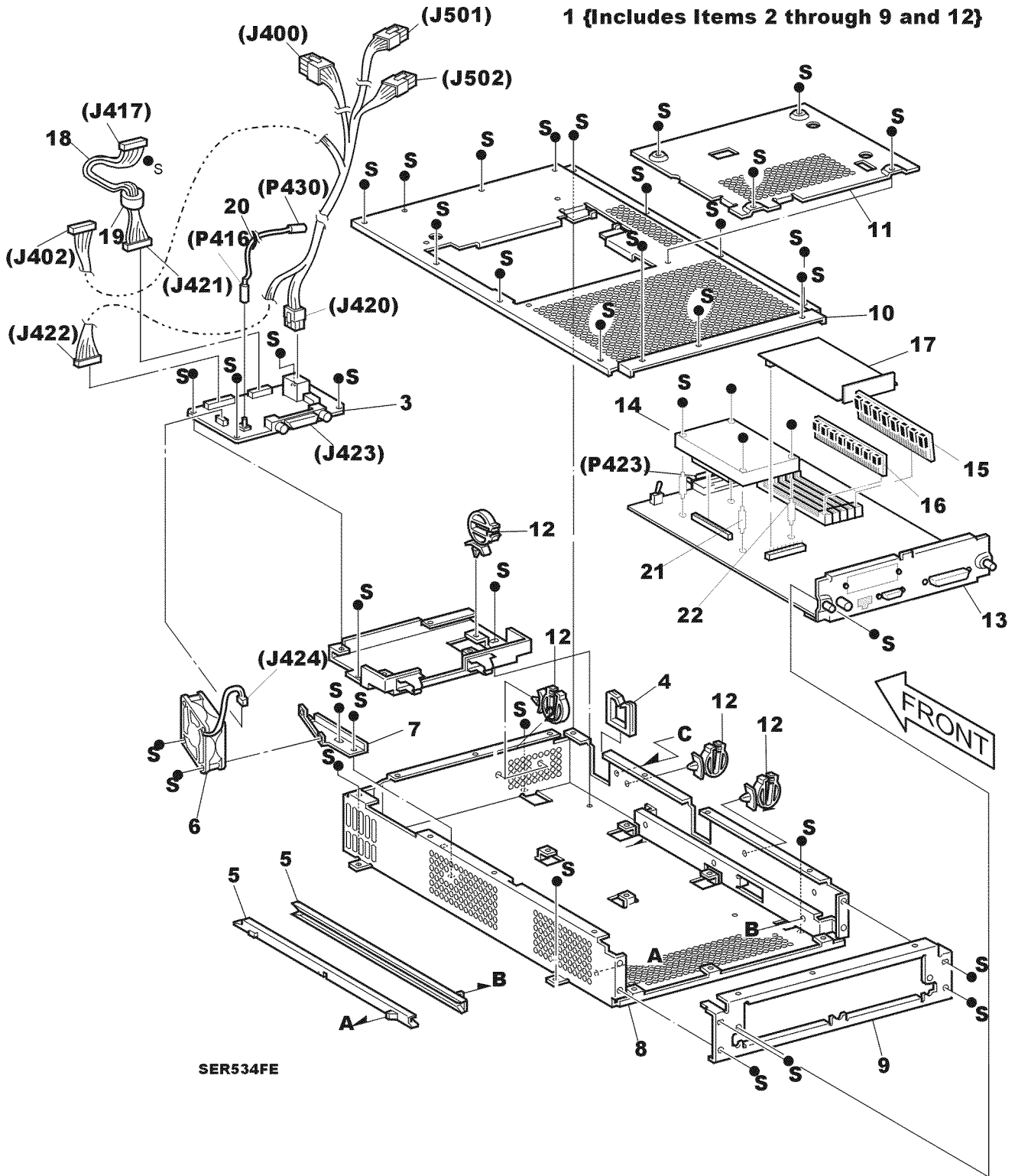
5 {Includes Items 6, 7, and 8}

25 {Includes Item 4, Item 9 and Instructions}



PL 11.3 System Controller Assembly

Item	Part	Description
1)	160K34445	Chassis Assembly {Includes Items 2 through 9 and 12}
2)	-----	System Controller Interface PWB Bracket Assembly {P/O Item 1}
3)	160K29520	System Controller Interface PWB {P/O Item 1}
4)	-----	Bush Saddle {P/O Item 1}
5)	-----	Guide {P/O Item 1}
6)	-----	Fan Assembly {P/O Item 1}
7)	-----	Fan Bracket {P/O Item 1}
8)	-----	System Controller Box Assembly {P/O Item 1}
9)	-----	Rear Panel {P/O Item 1}
10)	-----	System Controller Cover
11)	-----	SIMM Cover
12)	-----	Clamp (4) {P/O Item 1}
13)	600K81210	N24 & N32 System Controller PWB (Tag 100)
	600K81220	N40 System Controller PWB
	160K65500	N3225/N4025 System Controller PWB
14)	121K19780	Hard Disk Drive
15)	733W03647	N24 & N32 8MByte SIMM RAM
	733W03642	N24 & N32 16MByte SIMM RAM
	733W06861	N24 & N32 16MByte SIMM RAM - Alternate
	733W03675	N24 & N32 32MByte SIMM RAM
	733W06865	N40 8MByte SIMM RAM
	733W06866	N40 16MByte SIMM RAM
	733W06867	N40 32MByte SIMM RAM
	733W14695	N3225/N4025 16MByte DIMM RAM
	733W14696	N3225/N4025 32MByte DIMM RAM
	733W14697	N3225/N4025 64MByte DIMM RAM
16)	160K65620	N24/N32/N40 8MByte Flash SIMM
	160K71940	N3225/N4025 8MByte Flash DIMM (Slot closest to middle of PWB)
17)	160K44791	N24/N32/N40 Token Ring PWB
	160K71540	N3225/N4025 Token Ring PWB
	160K54960	N24/N32/N40 100MHz Ethernet PWB
	160K71530	N3225/N4025 10 Base 2
	160K71520	N3225/N4025 RS232 Serial
18)	162K25111	Harness Assembly Console
19)	-----	Ferrite Core {P/O Item 18}
20)	-----	Laser Video Harness
21)	14E35020	Hard Disk Drive Right Side Standoff
22)	14E35030	Hard Disk Drive Left Side Standoff
A)	600K65640	Screw Kit



PL 12.1 Part Number Locator Listing

<i>Part Number</i>	<i>Location</i>	<i>Part Number</i>	<i>Location</i>	<i>Part Number</i>	<i>Location</i>
001K54432	PL 8.5.2-23	015E50040	PL 7.2-27	031K92370	PL 8.1.2.1-8
001K55720	PL 8.5.2.1-5	015E50050	PL 7.2-28	031E92970	PL 8.3.2.1-14
002E68401	PL 1.1-7	015K28221	PL 8.5.2.22-10	036K91380	PL 8.3.2.1-15
002E68570	PL 8.4.2.1-2	015K28710	PL 8.5.2.1-8	038K81662	PL 7.2-8
003E23653	PL 1.1-8	015K29131	PL 8.5.2.14-20	038K83030	PL 8.5.2.11-16
003E23671	PL 3.1-8	015K89062	PL 8.5.2.19-26	038K83320	PL 8.5.2.6-1
	PL 3.4-8	017E91970	PL 8.4.2.1-7		PL 8.5.2.8-1
	PL 8.4.2.3-10	017E91980	PL 8.4.2.1-8	038K83330	PL 8.5.2.10-1
003E23690	PL 3.1-9	017K91951	PL 8.4.2.1-13	038K83930	PL 8.3.2.1-12
	PL 3.4-9	017K91961	PL 8.4.2.1-14	048E16252	PL 8.2.2.2-4
	PL 8.4.2.3-11	017K92040	PL 8.5.2.3-4	048E16263	PL 8.2.2.2-3
003E32140	PL 8.2.2.1-2	017K92050	PL 8.5.2.3-5	048E16271	PL 8.2.2.2-1
003E35350	PL 8.3.2.1-6	019E31680	PL 8.5.2.5-11	048E16291	PL 8.2.2.2-6
003E35360	PL 8.3.2.1-10		PL 8.5.2.7-9	048E16302	PL 8.2.2.2-7
003K81881	PL 8.1.2.3-2		PL 8.5.2.9-9	048E16311	PL 8.2.2.2-8
003K83860	PL 8.2.2.2-14	019K92810	PL 4.2-6	048E50030	PL 1.3-2
003K91881	PL 8.2.2.1-6	019K93342	PL 7.2-22	048E36010	PL 8.1.2.1-2
	PL 8.5.2.1-3	020E24810	PL 8.5.2.17-7	048E37170	PL 1.1-10
005K80880	PL 4.3-23	020E24820	PL 8.5.2.17-9	048E37211	PL 1.3-1
005K81090	PL 8.1.2.4-12	022E19170	PL 8.3.2.2-21	048E37260	PL 8.4.2.1-5
005K81820	PL 8.1.2.4-4	022E83451	PL 8.2.2.4-9	048E37272	PL 8.4.2.1-1
005K81990	PL 3.2-4		PL 8.2.2.5-13	048E37281	PL 8.4.2.1-4
006E55160	PL 8.5.2.24-8	022E84460	PL 8.5.2.23-22	048E37370	PL 4.1-1
006K83590	PL 8.5.2.12-4	022K33900	PL 6.1-3	048E37401	PL 4.1-8
006K83632	PL 8.5.2.13-25	022K33940	PL 8.1.2.4-7	048E37410	PL 1.3-4
006K83652	PL 8.5.2.11-18	022K33950	PL 8.1.2.4-11	048E37560	PL 8.2.2.2-13
006K83661	PL 8.5.2.11-22	022K35430	PL 9.2-2	048E37570	PL 8.2.2.6-12
006K83790	PL 8.5.2.12-11	022K45890	PL 3.3-15	048E37580	PL 8.2.2.6-1
007E45750	PL 8.5.2.4-14	022K45900	PL 3.6-12	048E45281	PL 8.5.2.1-7
007E54830	PL 8.5.2.5-14		PL 8.4.2.6-13	048E45900	PL 8.5.2.23-24
	PL 8.5.2.7-11	022K46650	PL 8.1.2.4-2	048E45921	PL 8.5.2.2-6
	PL 8.5.2.9-11	022K47500	PL 8.5.2.24-7	048E45930	PL 8.5.2.2-3
007K83446	PL 10.1-1	022K48230	PL 7.2-1	048E45940	PL 8.5.2.1-4
007K83507	PL10.1-1	022K48570	PL 8.3.2.2-26	048E45950	PL 8.5.2.2-4
009E53231	PL 3.3-22	022K49860	PL 8.3.2.2-27	048E45960	PL 8.5.2.1-6
	PL 3.6-17	022K49870	PL 8.3.2.2-24	048E46560	PL 8.5.2.5-13
	PL 8.4.2.6-3	022K49880	PL 8.3.2.3-12		PL 8.5.2.7-10
009E53302	PL 8.1.2.3-3	022K57190	PL 9.1-1		PL 8.5.2.9-10
009E55260	PL 7.2-15	022K57200	PL 9.2-4	048E54571	PL 8.3.2.1-17
009E62730	PL 1.2-2	022K93360	PL 4.3-9	048E54590	PL 8.3.2.1-1
009E72130	PL 8.5.2.14-18	023E08660	PL 3.1.11	048K30563	PL 8.2.2.2-5
009E72520	PL 8.5.2.11-13		PL 3.4-11	048K49430	PL 5.1-8
009E72550	PL 8.5.2.16-11	023E13210	PL 8.5.2.23-9	048K49621	PL 1.3-3
013E80030	PL 8.1.2.4-1	023E15560	PL 8.5.2.14-15	048K54503	PL 1.1-4
013E82680	PL 8.3.2.2-9	023E15580	PL 8.3.2.2-23	048K57322	PL 6.2-3
013E86260	PL 3.5-4	024K92311	PL 7.2-12	048K58321	PL 8.5.2.22-1
	PL 8.4.2.5-4	026E40710	PL 1.2-6	048K58481	PL 1.1-1
013E93460	PL 8.5.2.4-24	026P62716	PL 8.4.2.1-11	048K58511	PL 8.5.2.24-28
014E35020	PL 11.3-21		PL 8.2.2.8-5	048K58551	PL 8.5.2.3-1
014E35030	PL 11.3-22	027E91800	PL 8.5.2.4-21	048K58590	PL 8.5.2.15-1
		029K91704	PL 8.5.2.14-9		

<i>Part Number</i>	<i>Location</i>	<i>Part Number</i>	<i>Location</i>	<i>Part Number</i>	<i>Location</i>
048K58610	PL 8.5.2.1-2	054K08671	PL 8.1.2.5-1		PL 8.5.2.16-5
048K58760	PL 4.1-2	054K09340	PL 8.5.2.15-18		
048K59390	PL 8.5.2.2-1	054K09360	PL 8.5.2.12-16	110E94980	PL 8.5.2.8-16
048K59840	PL 8.1.2.1-3	054K09370	PL 8.5.2.12-15		PL 8.5.2.10-16
048K59862	PL 8.5.2.1-1	054K11521	PL 8.5.2.13-1	110E97990	PL 8.5.2.16-1
048K59870	PL 8.5.2.2-2	054K88590	PL 3.3-18	110K07040	PL 8.4.2.3-7
048K62420	PL 8.5.2.2-5	054K88605	PL 6.2-7	110K07740	PL 3.1-1
048K66971	PL 1.2-3	059E90750	PL 8.3.2.3-7		PL 3.4-1
048K69960	PL 5.2-1	059K00430	PL 4.3-14	110K08140	PL 8.5.2.16-4
048K69971	PL 8.4.2.11-1	059K00440	PL 4.3-22		
048K69980	PL 8.4.2.14-14	059K06110	PL 4.2-17		PL 8.4.2.11-9
048K71600	PL 8.2.2.3-1	059K06172	PL 8.4.2.14-2	110K94631	PL 9.1-12
048K74520	PL 8.3.2.3-1	059K06190	PL 8.4.2.8-13	110K94651	PL 9.3-2
048K74530	PL 8.3.2.1-11	059K13590	PL 4.1-7	110K98480	PL 9.1-16
048K74540	PL 8.3.2.1-13	062K97924	PL 7.1-1	110K98760	PL 8.4.2.3-8
048K79620	PL 8.1.2.1-1	068K11604	PL 10.2-1	110K98770	PL 7.2-23
049E08041	PL 8.5.2.24-24	068K12271	PL 9.4-1	110K98830	PL 9.1-24
049E30781	PL 8.4.2.1-10	068K79283	PL 5.1-1	113R00173	PL 7.2-30
049E30790	PL 8.4.2.1-9	068K83512	PL 5.2-3	113R00184	PL 7.2-30
	PL 8.2.2.8-4	074E91101	PL 6.2-14	117K17510	PL 11.1-12
049E73290	PL 1.2-8	074E91242	PL 8.2.2.2-16	117K26830	PL 11.1-12
049E74600	PL 8.1.2.2-15	074K92500	PL 3.3-21	120E09580	PL 8.2.2.3-10
049E78540	PL 8.5.2.3-7	096E64410	PL 8.2.2.2-2		PL 8.2.2.4-6
	PL 8.5.2.3-11	098K57180	PL 8.2.2.1-10		PL 8.2.2.5-8
049E79200	PL 8.2.2.8-3	098K57190	PL 8.2.2.8-1	120E12360	PL 8.5.2.5-3
050K29002	PL 8.2.2.6-11	101K34700	PL 11.2-5		PL 8.5.2.7-3
050K29690	PL 8.1.2.1-5	101K34710	PL 11.2-5		PL 8.5.2.9-3
050K29923	PL 3.2-5	101K34890	PL 11.2-5	120E12381	PL 8.5.2.22-6
	PL 3.5-5	103K80192	PL 6.1-8	120E12390	PL 8.5.2.3-10
	PL 8.4.2.5-5	105E07050	PL 8.5.2.12-1	120E12900	PL 8.3.2.2-18
050K29933	PL 8.4.2.6-4	105K12530	PL 8.5.2.20-8	120E13130	PL 8.2.2.3-9
050K29943	PL 8.4.2.7-3	105K12560	PL 8.5.2.20-8		PL 8.2.2.4-5
	PL 8.4.2.9-3	105K14541	PL 11.2-4		PL 8.2.2.5-7
050K29955	PL 8.4.2.8-3	105K94942	PL 11.1-11	120E99480	PL 8.5.2.11-10
	PL 8.4.2.10-3	105K94952	PL 11.1-11	120E99661	PL 8.5.2.16-6
050K29983	PL 3.3-1	107E94941	PL 3.1-5	121E83120	PL 8.2.2.5-10
	PL 3.6-1		PL 3.1-6	121K13070	PL 8.5.2.11-19
050K30221	PL 8.5.2.5-23		PL 3.4-5	121K16450	PL 8.3.2.2-13
050K30231	PL 8.5.2.7-21		PL 3.4-6	121K16460	PL 8.3.2.3-17
050K30241	PL 8.5.2.9-21		PL 4.3-10	121K19780	PL 11.3-14
050K30281	PL 8.5.2.14-21		PL 8.4.2.3-4	121K82820	PL 3.2-2
050K30711	PL 4.4-1		PL 8.4.2.3-5		PL 3.5-2
050K33241	PL 8.2.2.5-1		PL 8.4.2.4-3		PL 8.4.2.5-1
050K33251	PL 8.2.2.5-3		PL 8.4.2.4-4		PL 8.4.2.7-1
050K33260	PL 8.2.2.5-2	108R00158	PL 8.5.2.14-22		PL 8.4.2.9-1
050K33802	PL 8.4.2.12-1	109R00044	PL 2.1-1	121K82870	PL 9.1-2
050K33812	PL 8.4.2.13-1	109R00486	PL 7.2-31		PL 8.1.2.3-11
050K35941	PL 8.2.2.4-1		PL 8.1-2	121K82880	PL 4.3-2
054E08320	PL 1.2-5	109R00487	PL 7.2-31	121K83200	PL 6.1-1
054E08682	PL 3.6-14		PL 8.1-2	121K84001	P 8.1.2.2-3
054K04252	PL 6.1-4	110E93440	PL 5.2-15	121K84520	PL 9.4-10
054K06202	PL 9.1-6		PL 8.1.2.4-15		PL 9.4-14
054K08201	PL 8.2.2.3-11	110E93460	PL 11.2-10	121K87190	PL 8.3.2.2-11
054K08504	PL 9.3-1	110E94000	PL 8.2.2.6-17	126K10011	PL 8.1-1
		110E94510	PL 8.5.2.3-3	126K10021	PL 8.1-1

<i>Part Number</i>	<i>Location</i>	<i>Part Number</i>	<i>Location</i>	<i>Part Number</i>	<i>Location</i>
127E81410	PL 8.2.2.7-7	130K87332	PL 8.5.2.13-26	162K31730	PL 8.5.2.3-13
127K16360	PL 8.5.2.19-25	130K93360	PL 8.5.2.15-2	162K31750	PL 8.5.2.5-22
127K16600	PL 8.5.2.17-13		PL 8.5.2.24-9		PL 8.5.2.21-6
127K18861	PL 9.1-5		PL 8.5.2.24-21	162K33900	PL 8.5.2.7-15
127K19080	PL 8.4.2.3-9	140E76190	PL 8.2.2.6-13	162K33920	PL 8.5.2.20-6
127K19090	PL 8.1.2.2-4	140E79130	PL 8.2.2.7-1	162K37420	PL 8.3.2.1-2
127K19110	PL 1.1-9	160K29520	PL 11.3-3	413W08950	PL 8.5.2.4-18
127K19260	PL 8.4.2.2-1	160K34391	PL 8.4.2.2-9	423W00453	PL 8.1.2.4-6
127K19350	PL 8.5.2.17-1	160K34445	PL 11.3-1	423W09853	PL 8.5.2.13-21
127K19360	PL 8.5.2.17-4	160K34454	PL 8.1.2.2-1	423W12553	PL 8.1.2.4-10
127K20662	PL 3.1-2	160K35141	PL 11.1-2	423W21053	PL 8.5.2.11-29
	PL 3.4-2	160K35151	PL 11.1-2	423W23354	PL 8.5.2.12-13
	PL 8.4.2.3-1	160K36067	PL 8.5.2.20-9	423W25953	PL 8.5.2.17-6
127K20851	PL 8.5.2.4-12	160K44791	PL 11.3-17	423W38053	PL 8.5.2.18-7
127K20861	PL 8.5.2.5-24	160K46160	PL 8.3.2.2-17	423W46753	PL 8.5.2.17-8
	PL 8.5.2.7-23	160K47100	PL 11.2-1		PL 8.5.2.17-14
	PL 8.5.2.9-23	160K54960	PL 11.3-17	423W47353	PL 8.4.2.2-2
127K20871	PL 8.5.2.11-30	160K65500	PL 11.3-13	423W57354	PL 8.5.2.6-10
127K20900	PL 8.5.2.17-11	160K65620	PL 11.3-16		PL 8.5.2.8-10
127K21470	PL 1.1-9	160K71520	PL 11.3-17		PL 8.5.2.10-10
127K21850	PL 8.3.2.2-2	160K71530	PL 11.3-17	423W91952	PL 8.2.2.4-13
127K23500	PL 8.5.2.16-9	160K71540	PL 11.3-17	600K56730	PL 3.4-13
130E81311	PL 5.1-12	160K71940	PL 11.3-16		PL 8.4.2.3-15
	PL 5.2-19	162K10630	PL 8.2.2.7-3		PL 8.4.2.4-15
	PL 6.1-7	162K16270	PL 8.5.2.3-14	600K56740	PL 3.2-15
	PL 8.4.2.4-7		PL 8.5.2.21-5	600K56750	PL 3.6-18
	PL 8.4.2.11-10	162K16650	PL 8.5.2.21-1	600K60950	PL 8.4.2.13-23
130E81850	PL 8.2.2.6-9	162K18850	PL 8.5.2.14-10	600K60960	PL 3.5-15
130E81860	PL 8.2.2.3-7	162K18870	PL 8.5.2.5-17	600K60970	PL 3.3-23
130E82530	PL 8.3.2.2-19	162K18900	PL 8.5.2.14-3	600K60980	PL 3.7-12
	PL 8.5.2.5-5	162K18910	PL 8.5.2.19-1	600K60990	PL 8.4.2.2-17
	PL 8.5.2.7-5	162K18920	PL 8.5.2.7-2	600K61010	PL 8.4.2.12-28
	PL 8.5.2.9-5	162K18930	PL 8.5.2.5-2	600K61021	PL 8.1.2.1-10
	PL 8.5.2.11-6	162K18940	PL 8.5.2.11-31	600K61600	PL 3.2-16
	PL 8.5.2.13-3	162K20380	PL 4.1-4		PL 3.3-24
	PL 8.5.2.14-5	162K20691	PL 8.2.2.7-2		PL 3.5-16
	PL 8.5.2.19-3	162K21950	PL 8.2.2.7-4		PL 3.6-19
130E82540	PL 8.5.2.3-8	162K25111	PL 1.1-6		PL 8.4.2.5-14
	PL 8.5.2.5-7		PL 11.3-18		PL 8.4.2.6-19
	PL 8.5.2.7-14	162K26540	PL 7.2-16		PL 8.4.2.7-13
	PL 8.5.2.9-15	162K30660	PL 8.1.2.2-11		PL 8.4.2.8-16
	PL 8.5.2.11-11	162K31570	PL 8.5.2.20-6		PL 8.4.2.9-13
	PL 8.5.2.17-10	162K31590	PL 8.5.2.15-7		PL 8.4.2.10-21
	PL 8.5.2.19-24	162K31600	PL 8.5.2.21-4	600K61610	PL 2.2-8
	PL 8.5.2.23-23	162K31610	PL 8.5.2.3-9	600K61630	PL 8.1.2.1-9
	PL 8.5.2.24-26	162K31620	PL 8.5.2.23-1	600K61660	PL 8.2.2.6-21
130E82970	PL 8.5.2.24-14	162K31640	PL 8.5.2.21-3	600K61670	PL 8.2.2.6-22
130E83280	PL 8.3.2.3-5	162K31650	PL 8.5.2.16-2	600K61680	PL 8.5.2.23-25
130K55760	PL 7.2-14	162K31660	PL 8.5.2.21-2	600K61690	8.5.2.23-26
130K56300	PL 8.5.2.5-25	162K31670	PL 8.5.2.16-3	600K61860	PL 8.5.2.5-27
	PL 8.5.2.7-24	162K31680	PL 8.5.2.21-7		PL 8.5.2.7-26
	PL 8.5.2.9-24	162K31690	PL 8.5.2.9-2	600K61870	PL 8.5.2.9-26
130K83340	PL 8.1.2.3-9	162K31700	PL 8.5.2.9-14		PL 8.5.2.5-26
	PL 8.1.2.4-14	162K31720	PL 8.5.2.3-6		PL 8.5.2.7-25
130K83360	PL 4.4-4				PL 8.5.2.9-25
	PL 8.3.2.1-16				

<i>Part Number</i>	<i>Location</i>	<i>Part Number</i>	<i>Location</i>	<i>Part Number</i>	<i>Location</i>
600K65440	PL 3.1-13	892E16150	PL 1.1-5		
600K65460	PL 3.3-26	892E16160	PL 1.1-5		
600K65480	PL 3.6-20	892E16170	PL 1.1-5		
600K65540	PL 8.4.2.6-20	892E16180	PL 1.1-5		
600K65560	PL 8.4.2.8-17	892E16190	PL 1.1-5		
600K65580	PL 8.4.2.10-22	892E16200	PL 1.1-5		
600K65630	PL 8.5-1B to PL 8.5.24B	892E16220	PL 1.1-5		
600K65640	PL 1.1-A to PL 8.5.2.24-A	892E16210	PL 1.1-5		
		910W00202	PL 11.1-7		
600K67000	PL 11.2-25				
600K69040	PL 8.4.2.9-14				
600K70020	PL 8.5.2.24-29				
600K81210	PL 11.3-13				
600K81220	PL 11.3-13				
733W03642	PL 11.3-15				
733W03647	PL 11.3-15				
733W03675	PL 11.3-15				
733W06861	PL 11.3-15				
733W06865	PL 11.3-15				
733W06866	PL 11.3-15				
733W06867	PL 11.3-15				
733W14695	PL 11.3-15				
733W14696	PL 11.3-15				
733W14697	PL 11.3-15				
802K02510	PL 1.2-1				
809E02941	PL 8.5.2.5-4 PL 8.5.2.7-4 PL 8.5.2.9-4				
809E02950	PL 8.5.2.6-9 PL 8.5.2.8-9 PL 8.5.2.10-9				
809E02970	PL 8.5.2.8-18 PL 8.5.2.10-18				
809E03000	PL 8.5.2.23-13				
809E03020	PL 8.5.2.22-8				
809E03060	PL 8.5.2.18-4				
809E05870	PL 3.1-12 PL 3.4-12				
809E07920	PL 8.3.2.3-11				
809E16860	PL 8.3.2.1-5				
891E37090	PL 1.1-5				
891E37100	PL 1.1-5				
891E42430	PL 1.1-5				
891E42440	PL 1.1-5				
891E42990	PL 1.1-5				
891E43000	PL 1.1-5				
891E43010	PL 1.1-5				
891E43020	PL 1.1-5				
891E68020	PL 1.1-5				
891E68030	PL 1.1-5				
891E68040	PL 1.1-5				
891E68050	PL 1.1-5				
892E15510	PL 1.2-9				

Notes: