

Introduction	5-3
Covers	
PL 1.1 Covers	5-4
Paper Trays	
PL 2.1 Paper Tray (A3/Ledger)	5-5
PL 2.2 Paper Tray (A4/Letter)	5-6
Paper Feeder	
PL 3.1 Paper Feeder	5-7
MBF Assembly	
PL 4.1 MBF Assembly	5-8
PL 4.2 Paper Handler	5-9
Paper Transport	
PL 5.1 Paper Transport	5-10
Exit Assembly Fuser	
PL 6.1 Rear Cover Assembly	5-11
PL 6.2 Fuser	5-12
Frame Drives	
PL 7.1 Frame & Drives	5-13
Xerographics	
PL 8.1 Xerographics	5-14
Electrical	
PL 9.1 Electrical	5-15
PL 9.2 Electrical	5-16
Offsetting Catch Tray	
PL 10.1 Offsetting Catch Tray (1 of 2)	5-17
PL 10.2 Offsetting Catch Tray (2 of 2)	5-18
Optional Feeder 1	
PL 11.1 500 Sheet Feeder (1 of 3)	5-19
PL 11.2 500 Sheet Feeder (2 of 3)	5-20
PL 11.3 500 Sheet Feeder (3 of 3)	5-21
High Capacity Feeder	
PL 12.1 2000 Sheet Feeder (1 of 4)	5-22
PL 12.2 2000 Sheet Feeder (2 of 4)	5-23
PL 12.3 2000 Sheet Feeder (3 of 4)	5-24
PL 12.4 2000 Sheet Feeder (4 of 4)	5-25
Duplex	
PL 13.1 Duplex	5-26

Introduction

Overview

The Parts List section provides exploded view illustrations of all spared subsystem components and a listing of the corresponding part numbers. The illustrations show the relationships between parts.

Organization of this Section

The following elements make up the Parts List section: Parts Lists (PL) Each item number in the part numbers listing corresponds to an item number in the illustration. All the parts in a given subsystem of the machine will be located in the same illustration or in a series of associated illustrations. The parts which are not spared are indicated by “-” in the Part column.

Exploded View Illustrations An item that is called out on an illustration has a corresponding listing within this section. Components are given item numbers that correspond to the part number listings. Hardware items are lettered. All hardware dimensions are in millimeters unless otherwise noted.

Assemblies and kits are a combination of several separate components. A bracket is used on the illustration when an assembly or kit is spared but is not shown. The item number of the assembly or kit precedes the bracket; the item numbers of the piece parts follow it. **Part Number Index** This index lists all the spared parts in the system in numerical order. Each number is followed by a reference to the parts list on which the part may be found.

Other Information Abbreviations Abbreviations which may be used in the parts lists text or illustrations are as follows: US ----- United States Parts Distribution System XE ----- European Parts Distribution System AO ----- South America Parts Distribution System XCL ----- Canada Parts Distribution System P/J ----- Plug/Jack P/O ----- Part of W/ ----- With W/O ----- Without Tag A Tag is used when a part or area of the system has been modified. The Change Tag Index, which is found in the General Procedures/Information Section, lists the name and purpose of the Tag. In some cases, you will go to the parts lists and find a part number listed as “with Tag.” Go to the Change Tag Index for a description of what the Tag is and what you need to install the Tag. The Change Tag Index will either list a kit number or indicate “piece part.” If “piece part” is indicated, the parts lists reference(s) will be given and all parts associated with the Tag will have to be individually located, ordered, and installed. The notation “P/O Tag” after a part number indicates that the item is part of a Tag. The notation “Tag” after a part number will be used only to indicate the entire Tag, whether that is a kit number or an individual part. Whenever you install a Tag kit or all the piece parts that make up a Tag, mark the appropriate number on the Tag matrix.

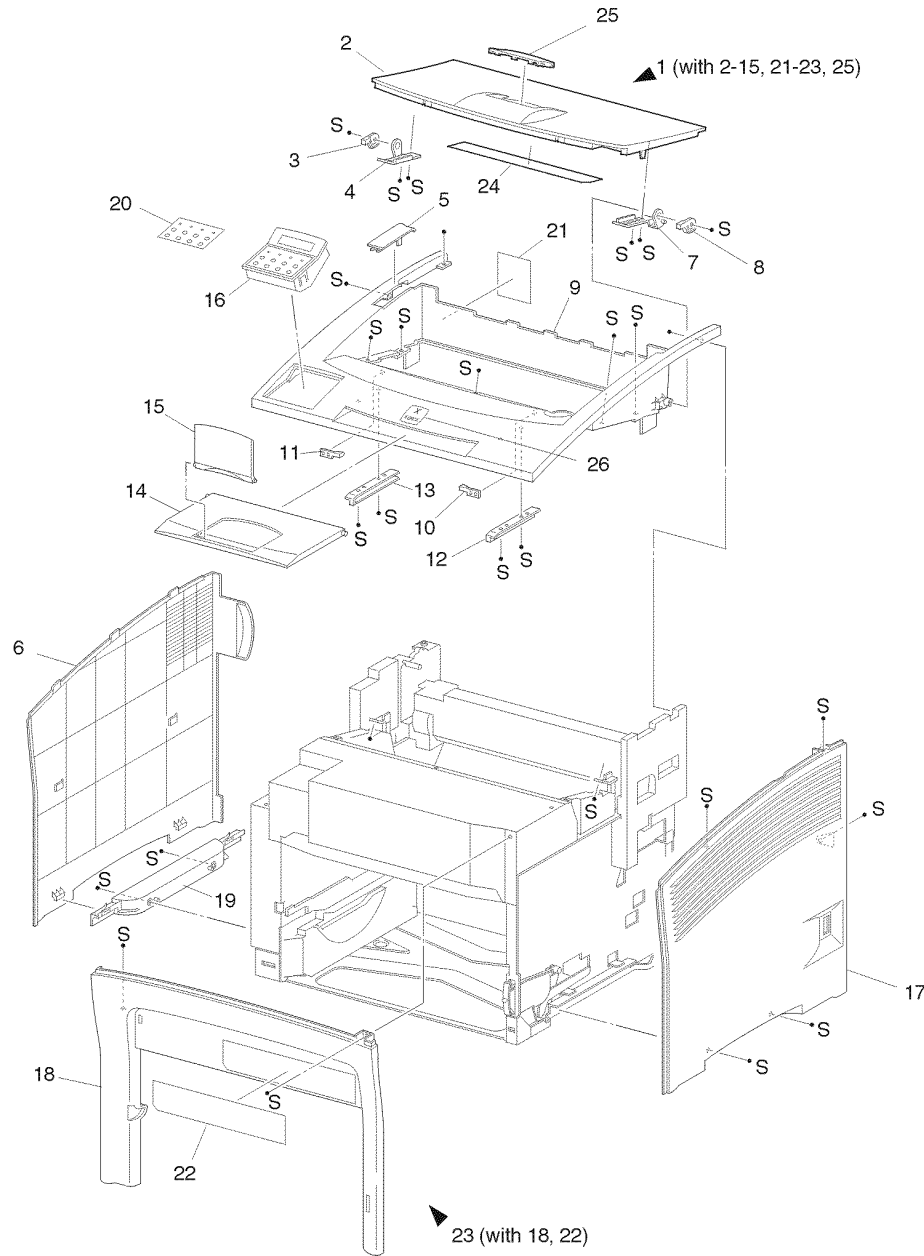
Using the Parts List

1. The numbers shown in each illustration correspond to the parts list number for that illustration.
2. Throughout this manual, parts are identified by the prefix “PL”, followed by a number, a decimal point, and another number. For example, PL3.1.12 means the part is item 12 of parts list 3.1.
3. The capital letters “C”, “E”, and “S” shown in an illustration stand for C-ring, E-ring, and Screw, respectively.
4. A shaded triangle in an illustration indicates the item is part of an assembly.

5. The notation “with X~Y” following an part name indicates an assembly that is made up of components X through Y. For example, “1 (with 2~4)” means part 1 consists of part 2, part 3, and part 4.
6. The notation “RS” means that the part is a requested spare. Part numbers for these parts will be provided as soon as they are available.
7. An asterisk * following a part name indicates the page contains a note about this part.
8. The notation “J1<>J2 and P2” is attached to a wire harness. It indicates that connector jack 1 is attached to one end of the wire harness and connector jack 2 is attached to the other end that is plugged into plug 2.
9. A notation “(part of item 1.1)” indicates that the part is included with item 1.2.1 (PL1.2, line item 1).

PL 1.1 Covers

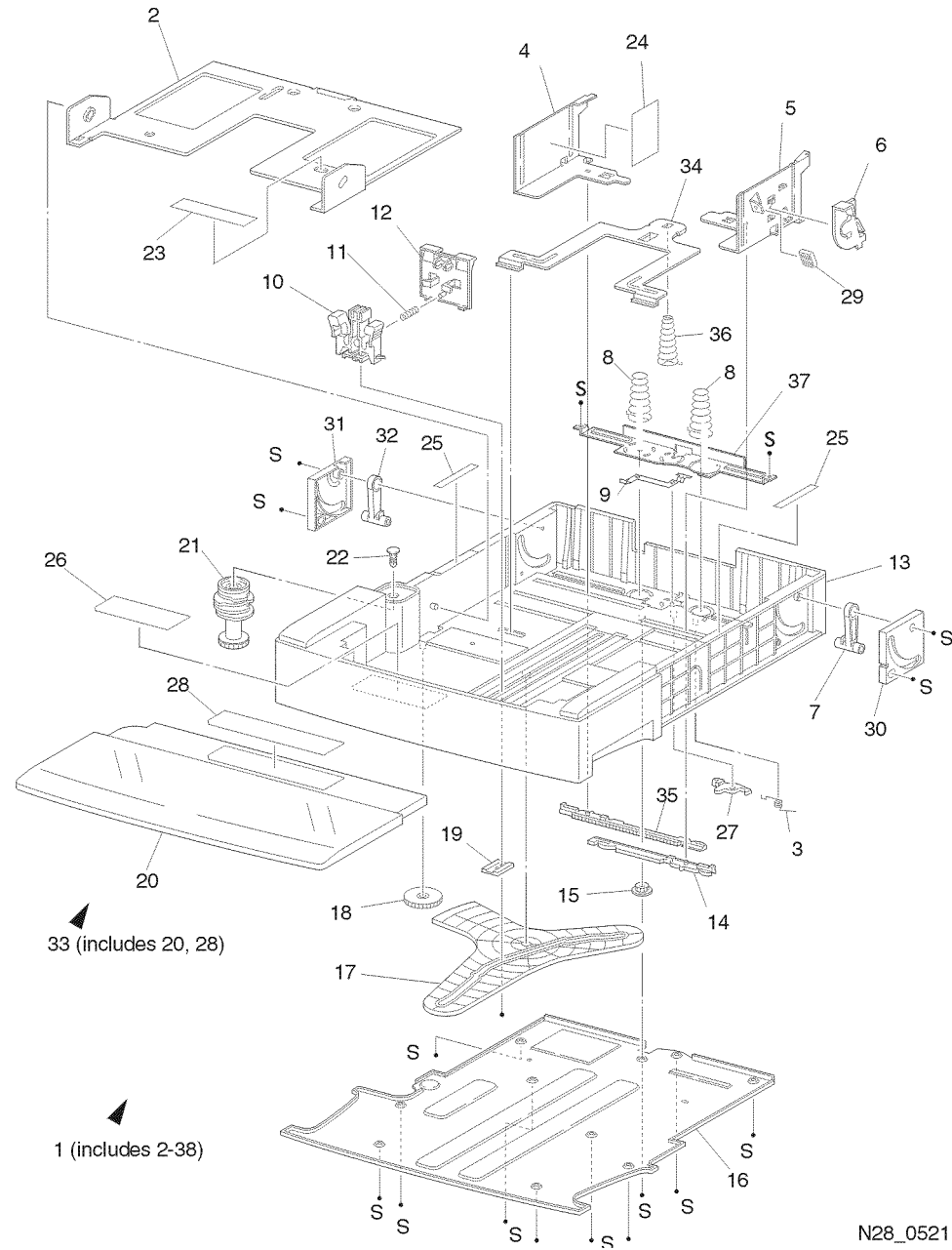
Item	Part	Description
1	48K75876	Top Cover Assembly (includes 2-15, 21, 22)
2	-----	Top Cover
3	3E46230	Stopper (left)
4	-----	Bracket (left)
5	48E64291	Top Cover Cap
6	48E64082	Left Cover
7	-----	Bracket (right)
8	3E46240	Stopper (right)
9	-----	Top Cover
10	-----	Latch (right)
11	-----	Latch (left)
12	-----	Tray Guide (right)
13	-----	Tray Guide (left)
14	-----	Tray Extension
15	50E88420	Tray Stopper
16	101K31281	Control Panel Assembly
17	48E64122	Right Cover
18	-----	Front Cover
19	48E64102	Lower Left Cover
20	892E08620	Control Panel Overlay (US)
	892E08640	Control Panel Overlay (Port.)
	892E08660	Control Panel Overlay English
21	-----	Label
22	-----	Front Label
23	802K04213	Front Cover Assembly (with 18, 22)
24	-----	Access Cover Label 3
25	-----	Cover Pop Up Stand
26	892E08500	Badge
S	600K76430	Hardware Kit (includes Screw)



N28_0511

PL 2.1 Paper Tray (A3/Ledger)

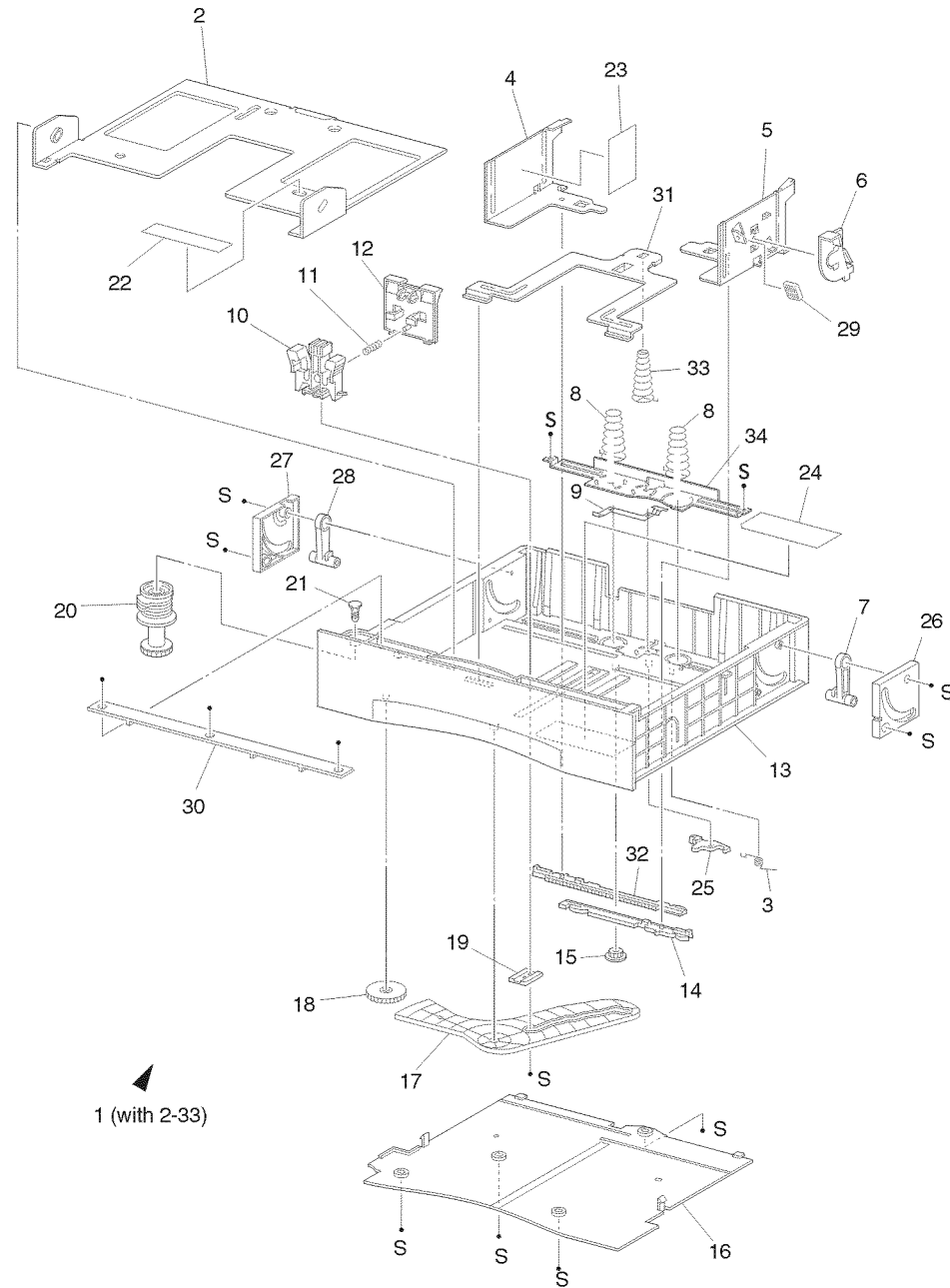
Item	Part	Description
1	109R00484	Tray Assembly (A3/Ledger) (includes 2-28)
	-----	Tray Assembly A3/Ledger
2	-----	Bottom
3	-----	Latch Spring
4	-----	Side Guide Plate (left)
5	-----	Side Guide Plate (right)
6	-----	Side Lever (right)
7	-----	Latch Assembly (right)
8	-----	Spring Long
9	-----	Ground Spring
10	-----	End Guide
11	-----	Plate End Guide Spring
12	-----	End Plate Guide
13	-----	Tray 1 Long Housing
14	-----	Rack
15	-----	Pinion
16	-----	Bottom Cover (Long)
17	-----	Sector Gear (Long)
18	-----	Idler Gear
19	-----	End Guide Lock
20	-----	Tray 1 Cover
21	-----	Size Cam (Long)
22	-----	Pin Lock
23	-----	Long Side Label
24	-----	Max Paper Label
25	-----	Hold Here Label
26	-----	Paper Set Label
27	-----	Latch
28	-----	Tray Set Label
29	-----	Side Cap (right)
30	-----	Latch Cover (right)
31	-----	Latch Cover (left)
32	-----	Latch Assembly (left)
33	802K05701	Tray Cover Assembly (with 20, 28)
34	-----	Mini Bottom Plate
35	-----	Rack (left)
36	-----	N/F Center Spring
37	-----	Tray Plate
S	600K76430	Hardware Kit (Includes Screw)



N28_0521

PL 2.2 Paper Tray (A4/Letter)

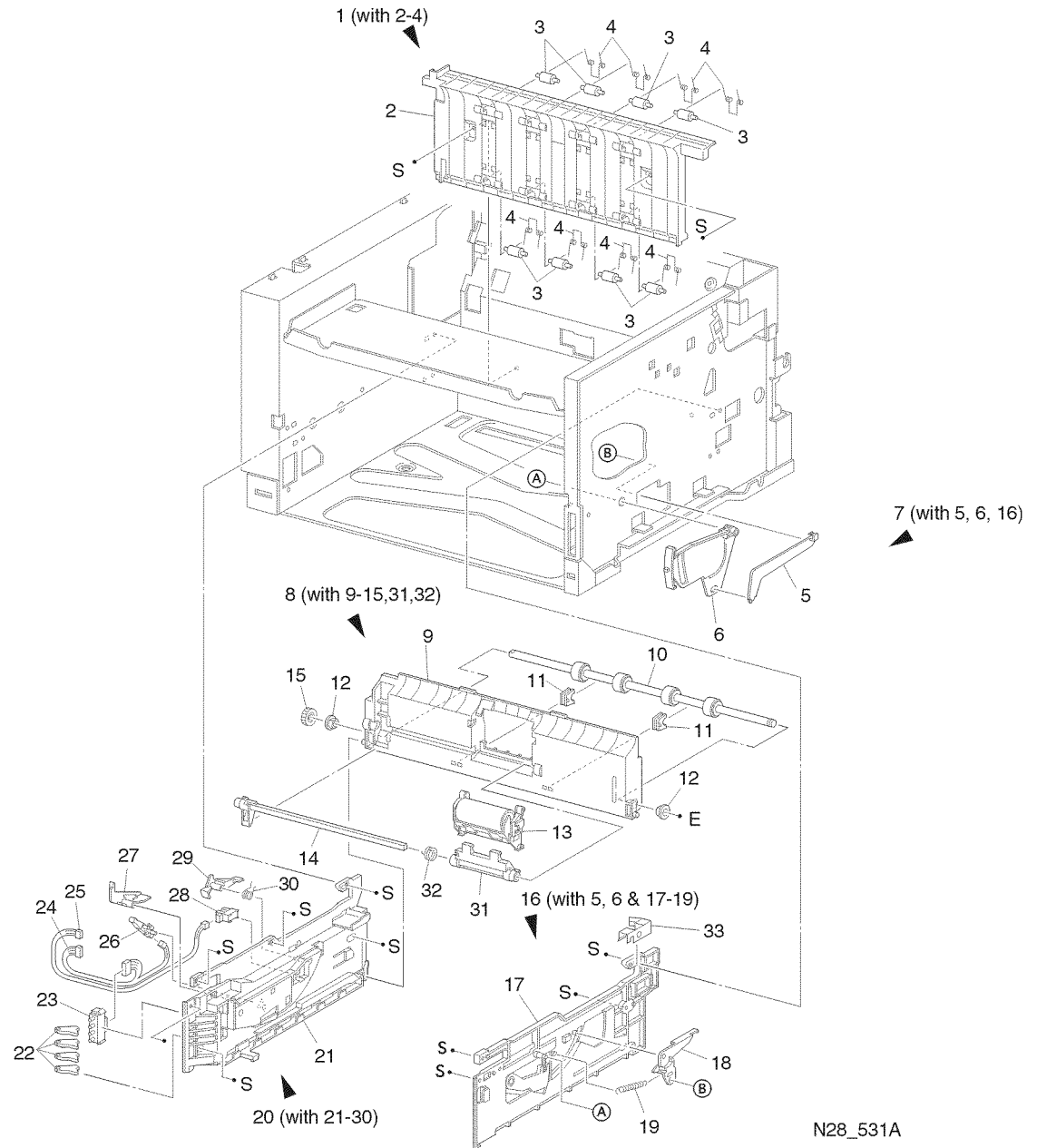
Item	Part	Description
1	109R00485	Tray Assembly (Short) (includes 2-33)
	-----	Tray Assembly A4/Letter
2	-----	Bottom Plate Assembly
3	-----	Latch Spring
4	-----	Side Guide Plate (left)
5	-----	Side Guide Plate (right)
6	-----	Side Lever (right)
7	-----	Latch Assembly (right)
8	-----	Spring
9	-----	Ground Spring
10	-----	End Guide
11	-----	Spring Plate End Guide
12	-----	End Plate Guide
13	-----	Tray 1 Short Housing
14	-----	Rack
15	-----	Pinion
16	-----	Bottom Cover (Short)
17	-----	Sector Gear (Short)
18	-----	Idler Gear
19	-----	End Guide Lock
20	-----	Size Cam (A4/Letter)
21	-----	Pin Lock
22	-----	Short Side Label
23	-----	Max Paper Label
24	-----	Set Paper Label
25	-----	Latch
26	-----	Latch Cover (right)
27	-----	Latch Cove (left)
28	-----	Latch Assembly (left)
29	-----	Side Cap (right)
30	-----	Handle Cover
31	-----	Mini Bottom Plate
32	-----	Rack (left)
33	-----	N/F Center Spring
34	-----	Tray Plate
S	600K76430	Hardware Kit (Includes Screw)



N28_0522

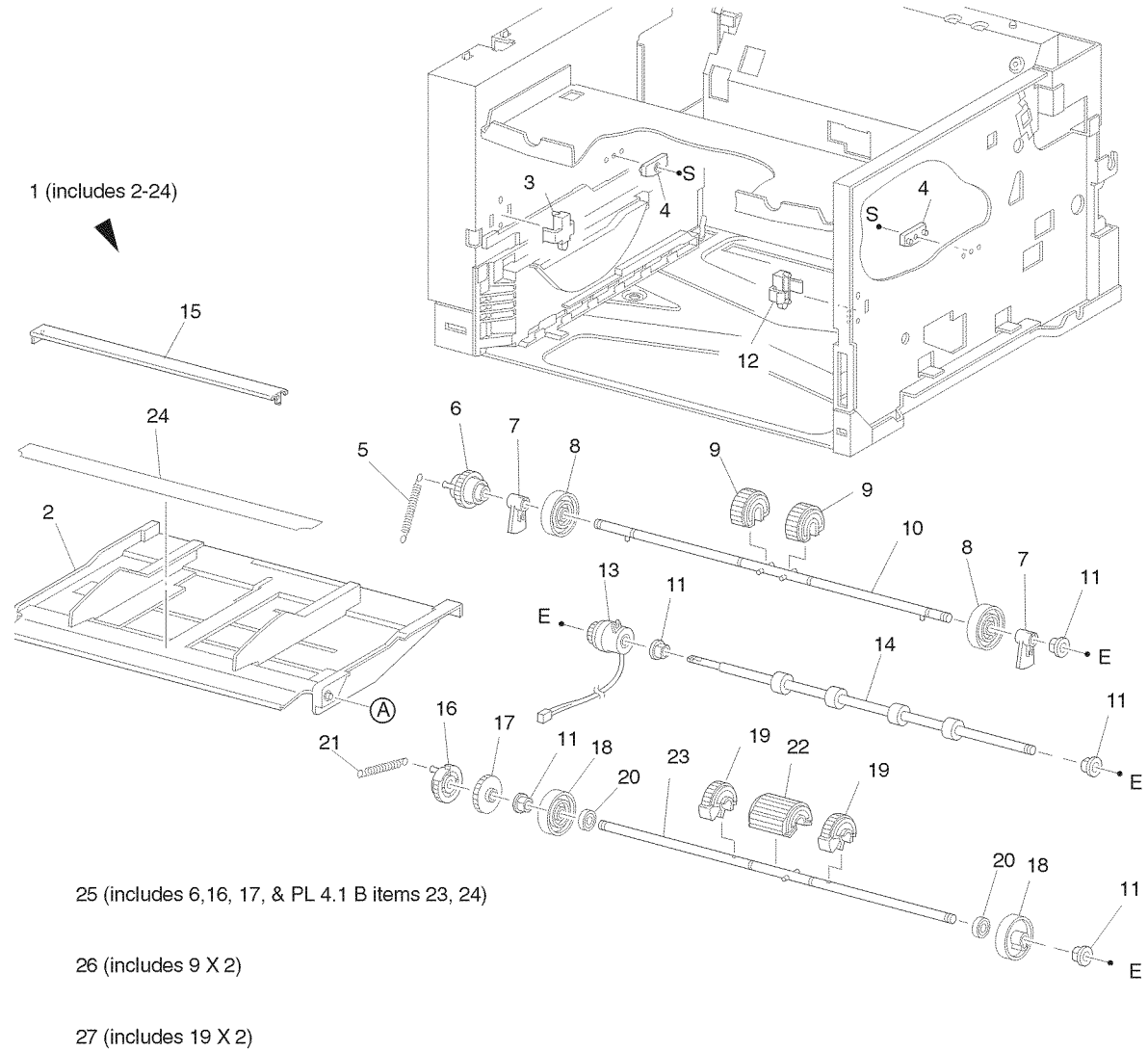
PL 3.1 Paper Feeder

Item	Part	Description
1	54K13043	Rear Chute Assembly (includes 2-4)
2	-----	Chute (Rear)
3	-----	Pinch Roll
4	-----	Pinch Spring
5	-----	Rod GG (P/O item 16)
6	-----	Collar GG (P/O item 16)
7	-----	Tray 1 Guide Assembly (with 5,6,16)
8	54K13055	Retard Chute Assembly (includes 9-15, 31, 32)
9	-----	Retard Chute (P/O item 8)
10	-----	Turn Roll Assembly (left) (P/O item 8)
11	-----	Bearing Support (P/O item 8)
12	-----	Bearing ES8 (P/O item 8)
13	19K94613	Retard Holder Assembly (P/O item 8)
14	-----	Retard Arm (P/O item 8)
15	-----	Turn Gear (left) (P/O item 8)
16	600K72189	Tray 1 Guide Assembly (right) (includes 5, 6 & 17-19)
17	-----	Tray 1 Guide (right) (P/O item 16)
18	-----	GG Actuator
19	-----	GG Spring
20	32K93788	Tray 1 Guide Assembly (left) (includes 21-33)
21	-----	Tray 1 Guide (left)
22	-----	Size Actuator
23	110E98320	Paper Size Switch
24	162K42630	Sensor Harness Assembly (J20-J201, J202)
25	-----	Low Paper Sensor Harness Assembly (J127-P128)
26	130E82030	MBF Home Switch
27	-----	MBF Actuator
28	130E81970	Tray 1 Low Paper Sensor
29	-----	Low Paper Actuator
30	-----	Low Paper Spring
31	-----	Retard Lever (P/O item 8)
32	-----	Release Spring (P/O item 8)
33	-----	Ground Clip
E	600K76430	Hardware Kit (Includes E-ring)
S	600K76430	Hardware Kit (Includes Screw)



PL 4.1 MBF Assembly

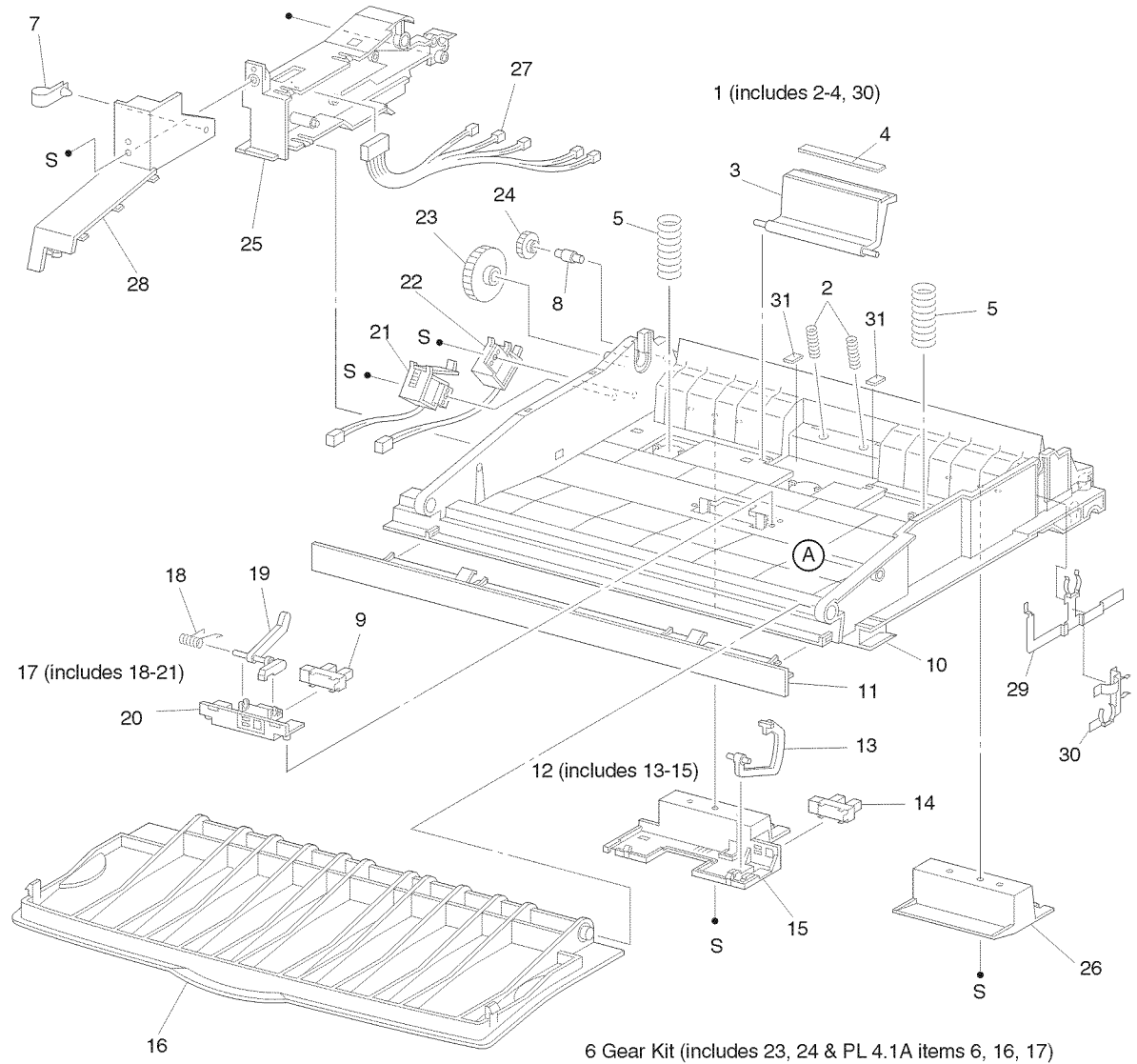
Item	Part	Description
1	59K15221	MBF Assembly [includes 2, 5-11, 13-24 (PL 4.1), 2-5, 7-11, 13-16, 18-31 (PL 4.2)]
2	-----	Tray Assembly
3	3K8552	Latch Assembly (left)
4	-----	Upper Guide
5	809E15350	MBF Spring 1
6	-----	Pick Up Gear
7	-----	Pick Up Cam
8	-----	Core Roll
9	-----	MBF Feed Roll (P/O item 26)
10	-----	Pick Up Shaft
11	-----	Bearing #8
12	3K85941	Latch Assembly (right)
13	121K20060	Tray 1 Turn Roll Clutch
14	59K13064	Turn Roll Assembly -Tray 1
15	-----	Bracket
16	-----	Tray 1 Pick Up Gear
17	-----	MBF Idle Gear 1
18	-----	Tray 1 Core Roll
19	59K11930	Envelope Feed Roll (P/O item 27)
20	-----	Core Bearing #8
21	809E15350	Spring
22	59K14640	Tray 1 Feed Roll
23	-----	MBF Turn Roll Shaft
24	-----	Label
25	600K72223	Gear Kit (includes 6, 16, 17 & PL 4.1B items 23, 24)
26	600K73122	Feed Roll Assembly Kit (contains 2)
27	600K73132	Envelope Feed Roll Kit (includes 2)
E	600K76430	Hardware Kit (Includes E-ring)
S	600K76430	Hardware Kit (Includes Screw)



N28 541A

PL 4.2 Paper Handler

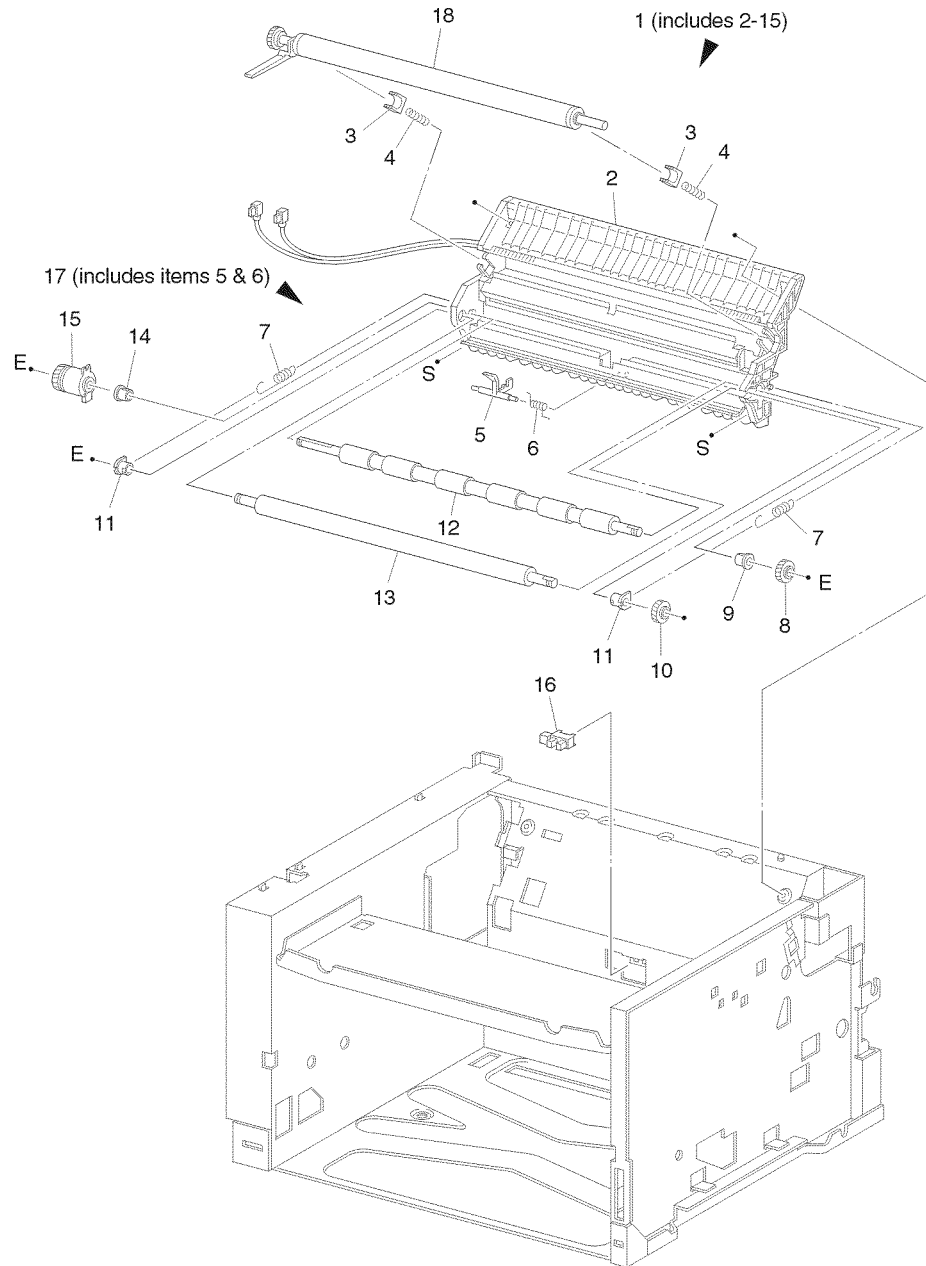
Item	Part	Description
1	600K72192	Retard Holder Assembly (includes 2-4)
2	-----	NIP Spring (P/O item 1)
3	-----	Retard Holder (P/O item 1)
4	-----	Retard Pad (P/O item 1)
5	-----	N/F Spring
6	600K72223	Gear Kit [includes 6,16, 17 (PL 4.1A) 23, 24 (PL 4.1B)]
7	-----	Clamp
8	-----	Idler Pin
9	19K94921	No/Low Paper Sensor
10	-----	Chute
11	-----	Lower Cover
12	600K72200	Tray 1 Sensor Assembly (includes 13-15)
13	-----	Tray 1 No Paper Actuator
14	19K94931	No Paper Sensor
15	-----	Tray 1 Sensor Holder
16	50E89012	MBF Door
17	600K72210	MBF Lo/No Paper Sensor (includes 9, 18-20)
18	-----	No/Low Sensor Spring (P/O item 17)
19	-----	MBF No/Low Paper Actuator (P/O item 17)
20	-----	Sensor Holder (P/O item 17)
21	121K18800	MBF Feed Solenoid (P/O item 17)
22	121K18810	Tray 1 Feed Solenoid
23	-----	MBF In Gear
24	-----	MBF Idle Gear 2
25	-----	MBF Gear Cover
26	-----	Lower Chute
27	162K42620	MBF Combo Harness (P121-P122, P123, P124, J125, J126)
28	-----	Front Cover
29	-----	Lower Ground Plate
30	-----	Ground Plate
31	-----	Retard Pad Holder
S	600K76430	Hardware Kit (Includes Screw)



N28_541B

PL 5.1 Paper Transport

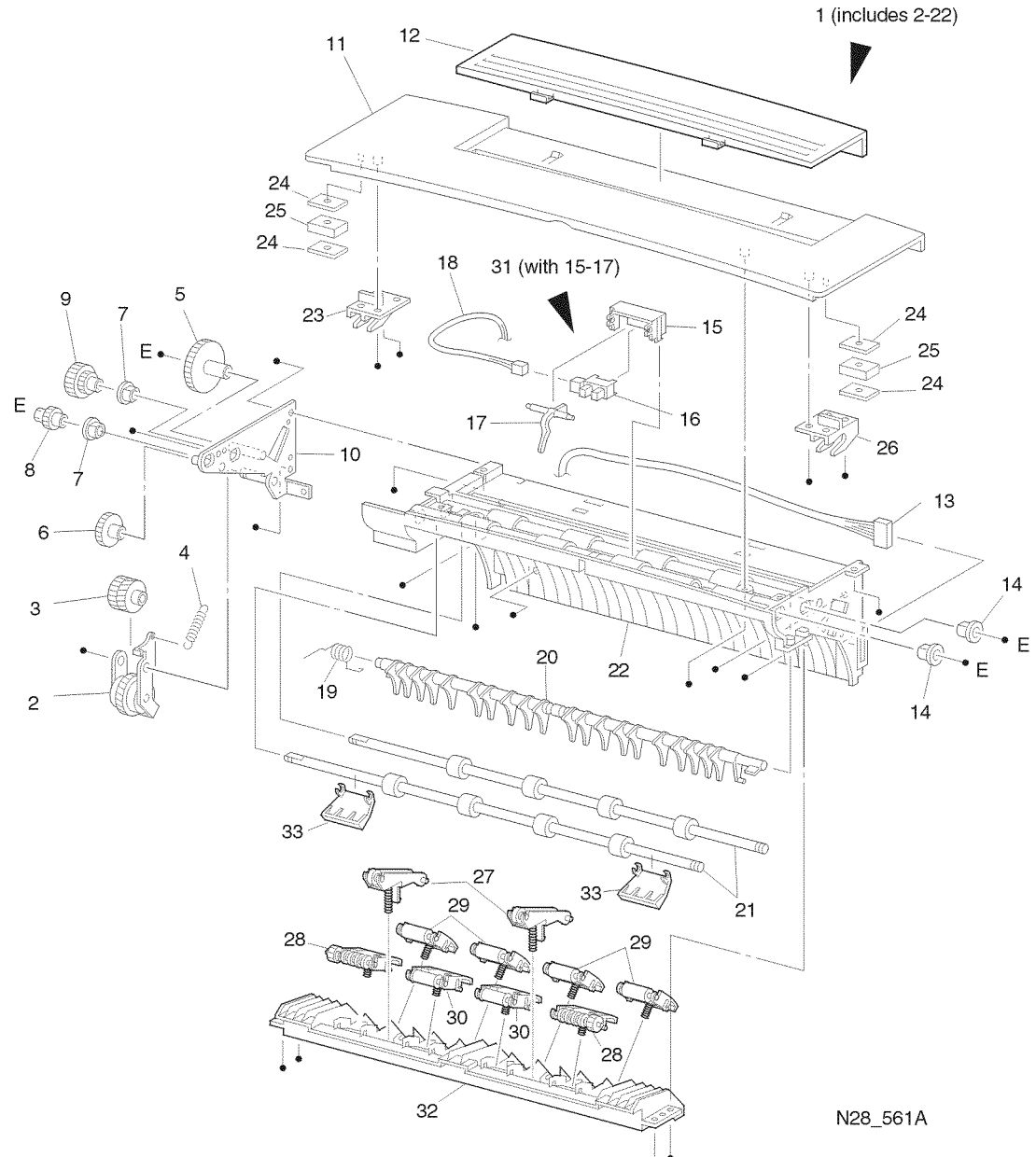
Item	Part	Description
1	54K14698	Paper Transport Assembly (includes 2-15)
2	-----	Chute Transport
3	-----	BTR Bearing
4	-----	BTR Spring
5	-----	Registration Actuator
6	-----	Sensor Spring
7	-----	Registration Spring
8	-----	Registration Gear (Rubber)
9	-----	Right Bearing (Rubber)
10	-----	Registration Gear (Metal)
11	-----	Metal Bearing
12	-----	Registration Roll (Rubber)
13	-----	Registration Roll (Metal)
14	-----	Left Bearing (Rubber)
15	121E84300	Registration Clutch
16	130E82740	Registration Sensor
17	600K72231	Actuator Kit (includes items 5 & 6)
18	22K54452	Bias Transfer Roll
E	600K76430	Hardware Kit (Includes E-ring)
S	600K76430	Hardware Kit (Includes Screw)



N28_0551

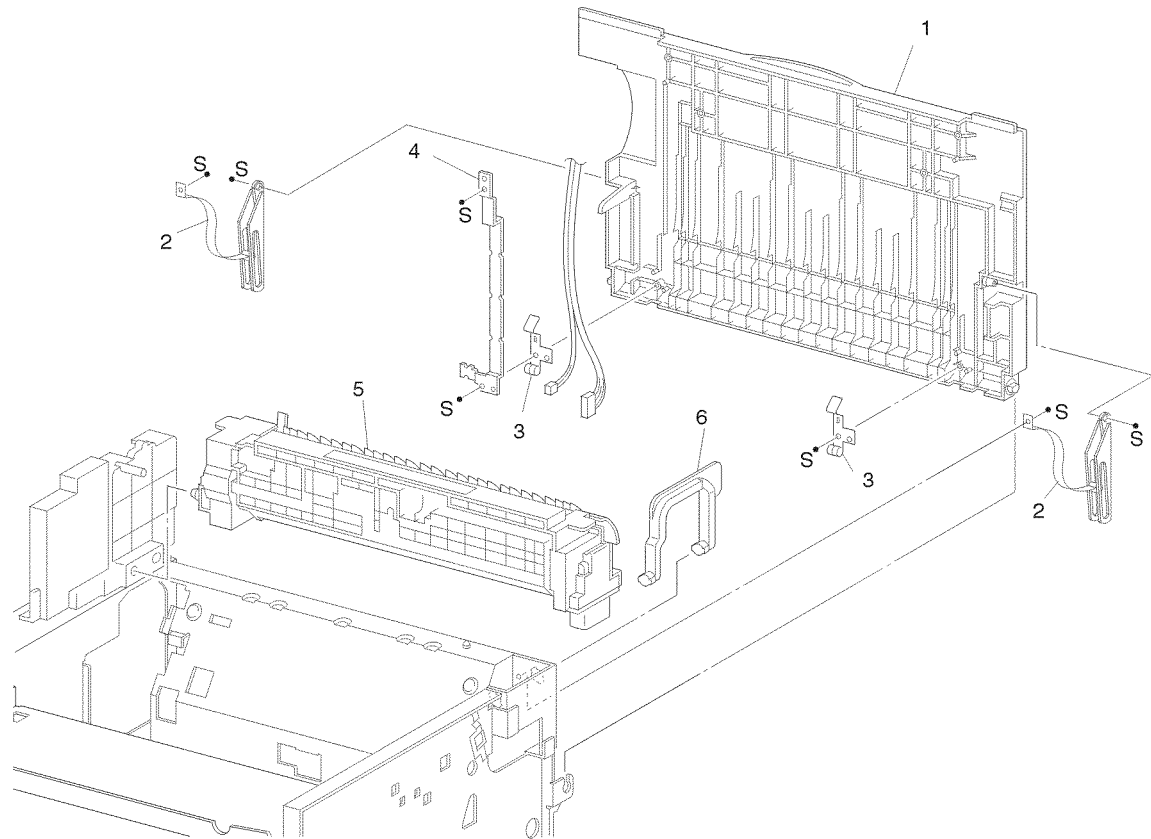
PL 6.1 Rear Cover Assembly

Item	Part	Description
1	802K04575	Rear Cover Assembly (includes 2-22)
2	-----	Cover Gate Gear Assembly
3	-----	Z20/20 Gear
4	-----	Cover Gate Spring Gear
5	-----	Z37 Gear
6	-----	Z27 Gear
7	-----	Exit Bearing
8	-----	Z15 Gear
9	-----	Z22/15 Gear
10	-----	Exit Drive Plate Assembly
11	-----	Top Exit Cover
12	-----	Gate Cover
13	162K43690	Direction Solenoid Harness
14	-----	Duplex Bearing
15	-----	Full Stack Sensor Holder (P/O item 31)
16	-----	Full Stack Sensor (P/O item 31)
17	-----	Full Stack Actuator (P/O item 31)
18	162K43700	Full Stack Sensor Harness
19	-----	Exit Gate Spring
20	-----	Exit Gate
21	59K11892	Rear Cover Roll Shaft
22	-----	Upper Exit Chute
23	-----	Magnetic Holder (left)
24	-----	Magnetic Plate
25	-----	Exit Magnet
26	-----	Magnetic Holder (right)
27	-----	Exit Pinch Spring
28	-----	Exit Pinch Roll-0
29	-----	Pre-Exit Pinch Roll
30	-----	Exit Pinch Roll-1
31	600K72253	Stack Full Sensor Assembly (with 15-17)
32	-----	Lower Exit Chute
33	-----	Exit Flapper
E	600K76430	Hardware Kit (Includes E-ring)
S	600K76430	Hardware Kit (Includes Screw)



PL 6.2 Fuser

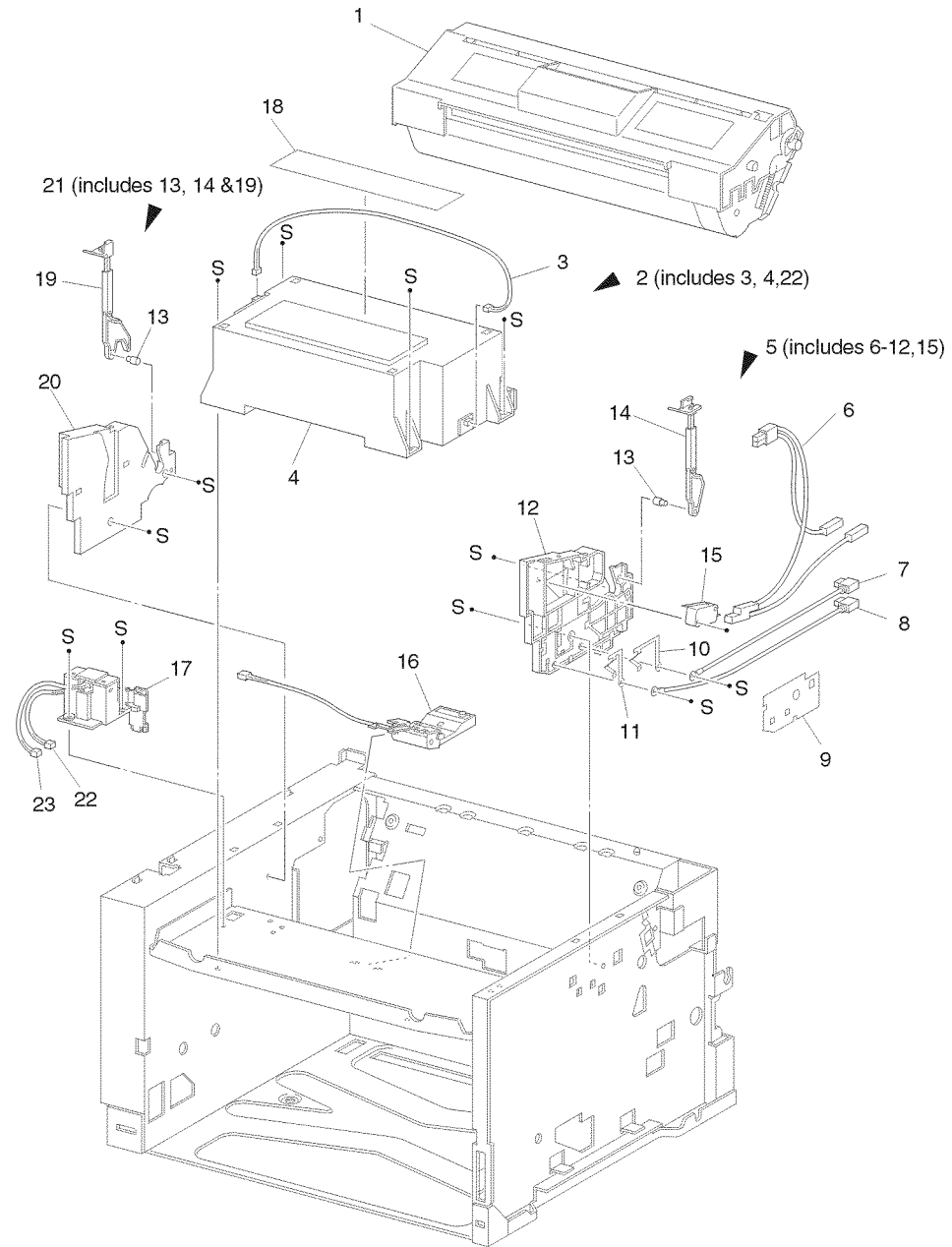
Item	Part	Description
1	802K04575	Rear Cover Assembly
2	-----	Exit Strap Kit (2 pieces)
3	-----	Exit Spring Ground
4	-----	Exit Plate Ground
5	109R00481	Fuser Assembly 110V (customer purchase)
	109R00482	Fuser Assembly 220V (customer purchase)
6	11E07992	Fuser Latch Handle
S	600K76430	Hardware Kit (Includes Screw)



N28_561B

PL 8.1 Xerographics

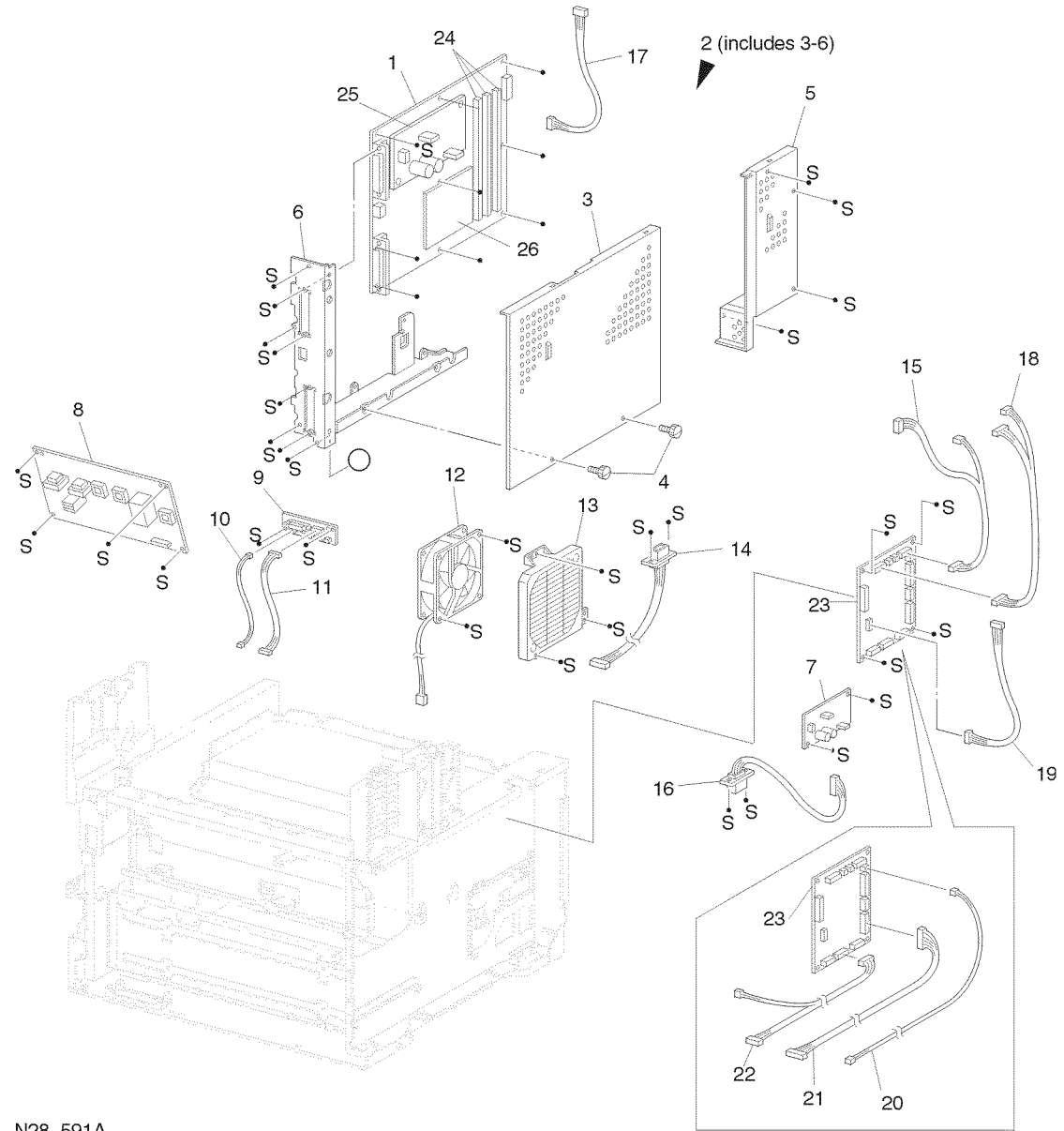
Item	Part	Description
1	113R00443	Print Cartridge
2	62K99106	Laser Assembly (with 3,4 22)
3	-----	Laser Harness Assembly (J115-1-J115-2)
4	-----	Laser (reference only)
5	32K93933	Print Cartridge Guide Assembly R (includes items 6-12 & 15))
6	162K43601	Interlock Harness Assembly (J162-J621, J622,J623) (P/O item 5)
7	-----	Developer Wire Assembly (P/O item 5)
8	-----	Xerographic Wire Assembly (P/O item 5)
9	-----	Guide Seal (P/O item 5)
10	-----	Developer Plate (P/O item 5)
11	-----	Xerographic Plate (P/O item 5)
12	-----	Print Cartridge Guide (Right) (P/O item 5)
13	29E29870	Hinge Pivot Pin (P/O item 21)
14	12K93720	Access Cover Support Arm R (P/O item 21)
15	110E98290	Top Cover Interlock Switch (P/O item 5)
16	130K57891	Toner Sensor Assembly
17	130K59790	Print Cartridge Key Sensor Assembly
18	-----	Laser Label
19	12K93731	Access Cover Support Arm L (P/O item 21)
20	32E12382	Print Cartridge Guide (Left)
21	600K72261	Link Kit (includes 13 x 2, 14, 19)
22	162K42750	Toner Sensor Harness
23	162K42730	Print Cartridge Sensor Harness
S	600K76430	Hardware Kit (Includes Screw)



N28_0581

PL 9.1 Electrical

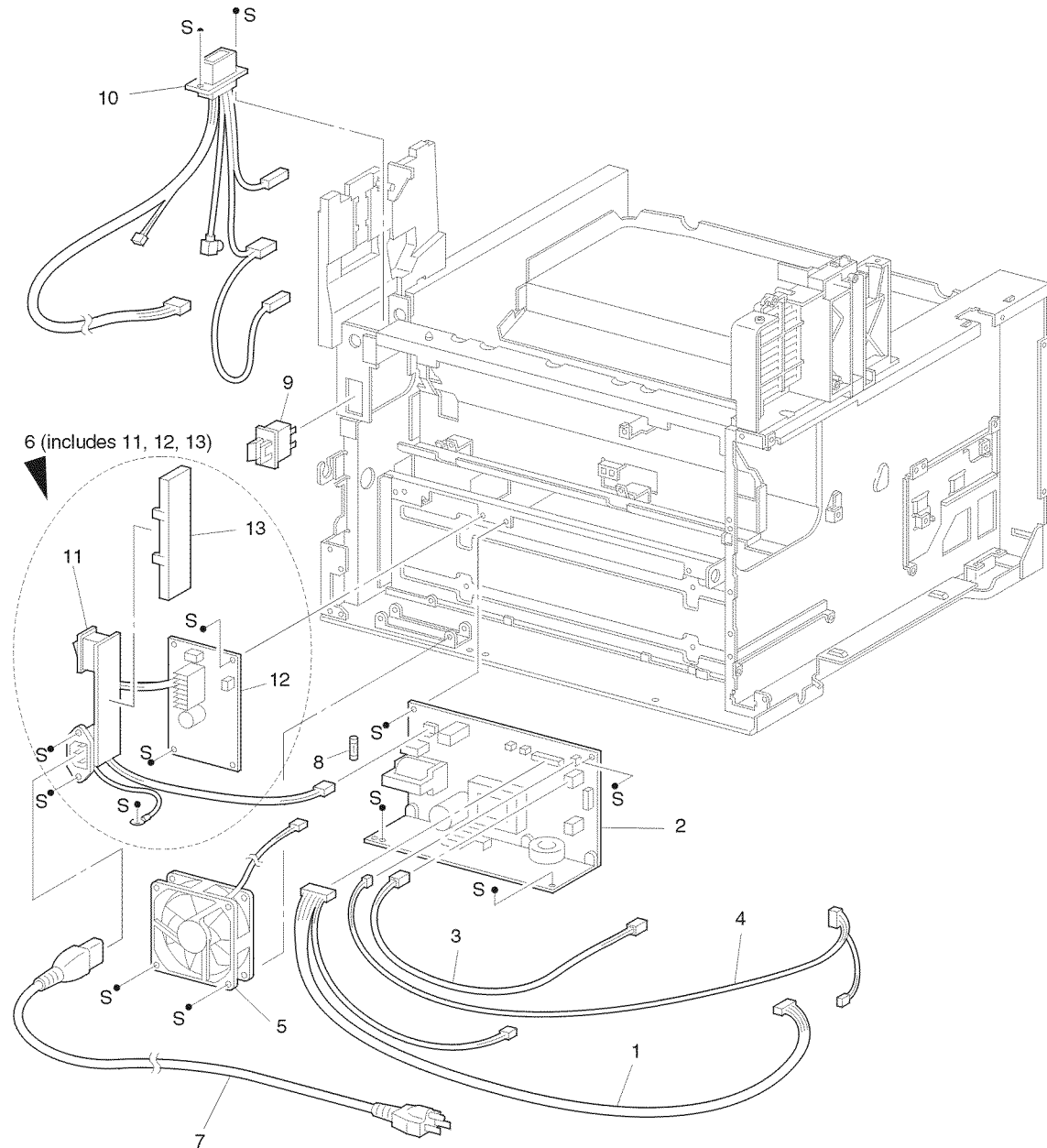
Item	Part	Description
1	160K5440	System Controller PWB
2	-----	I/F Assembly (includes 3-6)
3	-----	Cover Shield
4	-----	Thumb Screws
5	-----	MCU Cover
6	-----	Rear Panel
7	105K14750	5V Power Supply PWB
8	105K14821	High Voltage Power Supply
9	160K52260	Duplex I/F PWB
10	162K43530	Harness Assembly Full Dup-1 (J502-J527)
11	162K43690	Harness Assembly Flap-1 (J505-J528)
12	127E81380	Fuser Fan
13	55E33041	Fuser Fan Cover
14	162K43542	Harness Assembly STK-1 (J504-P526)
15	162K42610	Harness Assembly P/H (J12-J121, J128)
16	162K42640	Feeder Harness Assembly Tray 2/3 (J13-P131)
17	162K42820	System Controller PWB to User Interface Harness Assembly (J18-J421)
18	162K42880	Harness Assembly Laser NS (J11-J112, J114)
19	-----	Harness Assembly
20	162K42740	Harness Assembly Reg (J22-J222)
21	162K43521	Harness Assembly Dup-I/F (J19-J501)
22	162K42720	Harness Assembly HVPS (J18-J181, J183)
23	160K59073	Print Engine Controller PWB (N2825) (115V) (US)
	160K59083	Print Engine Controller PWB (N2825) (220V) (EU)
	160K62302	Print Engine Controller PWB (N2025) (115V) (US)
	160K62322	Print Engine Controller PWB (N2025) (220V) (EU)
24	733W14695	16 MB Dimm Card
	733W14696	32 MB Dimm Card
	733W14697	64 MB Dimm Card
	-----	8 MB Flash Card
25	160K71520	Serial PWB
	160K71530	10 Base / 2 PWB
	160K71540	Token Ring PWB
26	-----	Hard Drive
S	600K76430	Hardware Kit (Includes Screw)



N28_591A

PL 9.2 Electrical

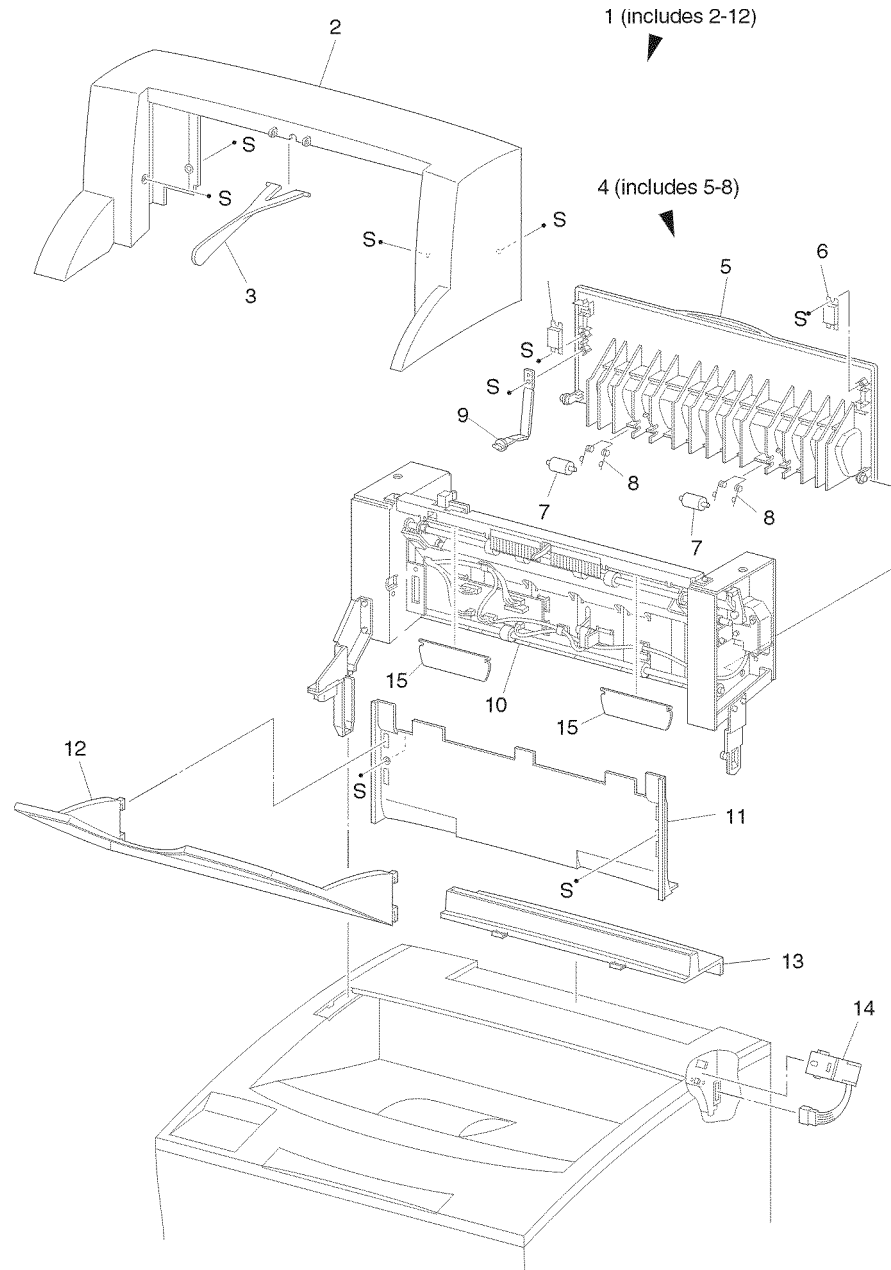
Item	Part	Description
1	162K42681	Harness Assembly LVPS (J161-J16, J506)
2	105K14972	Low Voltage Power Supply 110V
	105K14962	Low Voltage Power Supply 220V
3	162K42691	System Controller Harness Assembly 3.3V (J163-J3)
4	162K42800	System Controller Harness Assembly 5V (J169-J168, J13)
5	127E81781	LVPS Exhaust Fan
6	-----	Inlet Assembly (includes 11, 12, 13)
7	177K99110	Power Cord (US)
8	-----	Fuse
9	110E98300	Rear Cover/Fuser Interlock Switch
10	162K42711	Fuser Harness Assembly 100V (J174, J17, J171, J172, J177, J178, and J182)
	162K42871	Fuser Harness Assembly 200V (J174, J17, J171, J172, J177, J178, and J182)
11	-----	Inlet (reference only) (P/O item 6)
12	-----	PWB (reference only) (P/O item 6)
13	-----	Cover (P/O item 6)
S	600K76430	Hardware Kit (Includes Screw)



N28_591B

PL 10.1 Offsetting Catch Tray (1 of 2)

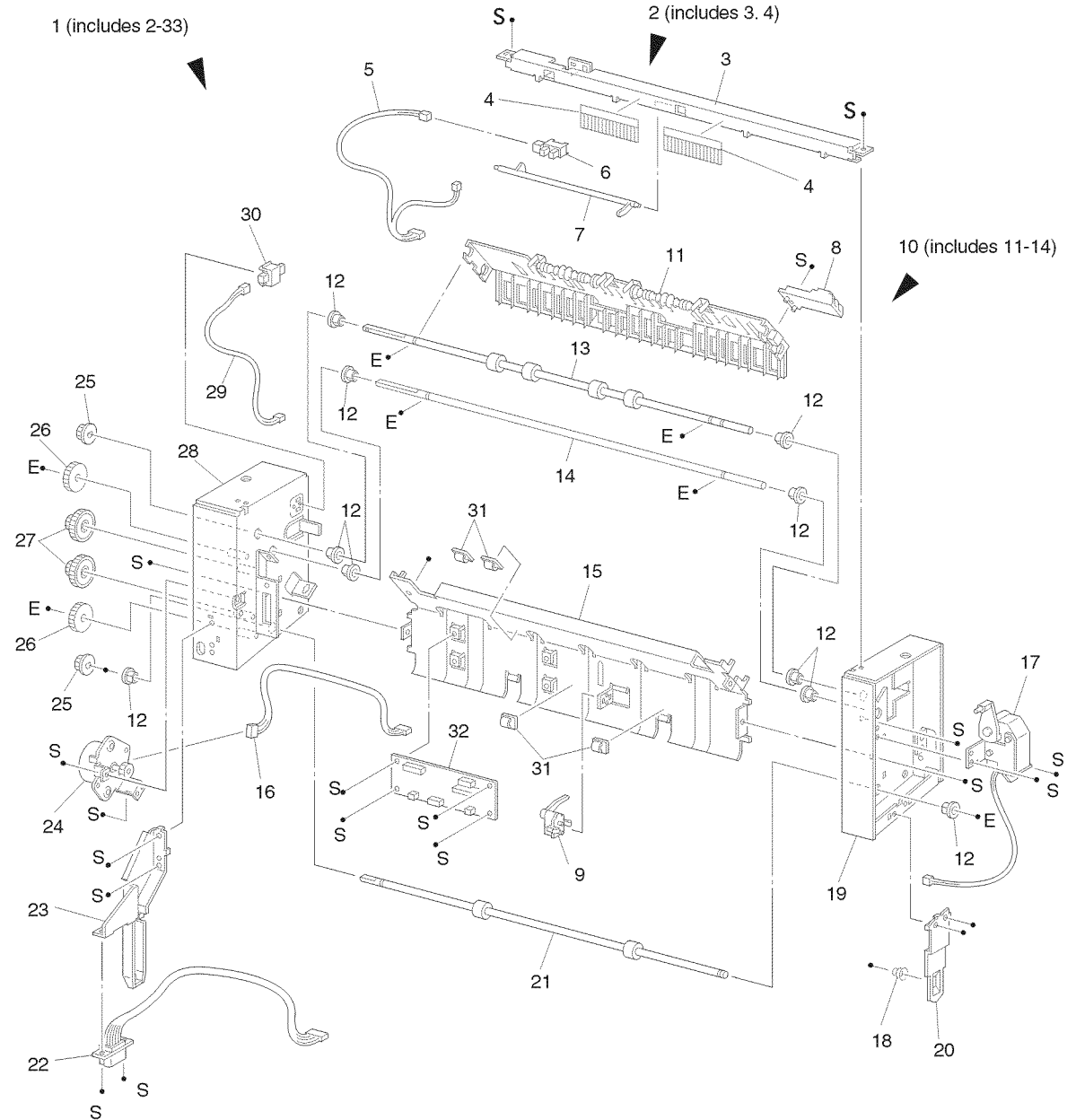
Item	Part	Description
1	-----	OCT Assembly (includes 2-12)
2	48E64791	Top Cover
3	3E47341	Paper Weight
4	48K76362	Rear Cover Assembly (includes 5-8)
5	-----	Rear Cover
6	-----	Holder Magnet
7	-----	Turn Pinch Roll
8	-----	OCT Pinch Spring
9	1E39851	Strap
10	-----	OCT Sub Assembly (same as PL 14.2, item 1)
11	48E65422	Front Cover
12	50E88851	OCT Tray
13	48E64831	Gate Cover
14	121K18871	Exit Gate Solenoid Assembly
15	-----	OCT Flapper
S	600K76430	Hardware Kit (Includes Screw)



N28_5141

PL 10.2 Offsetting Catch Tray (2 of 2)

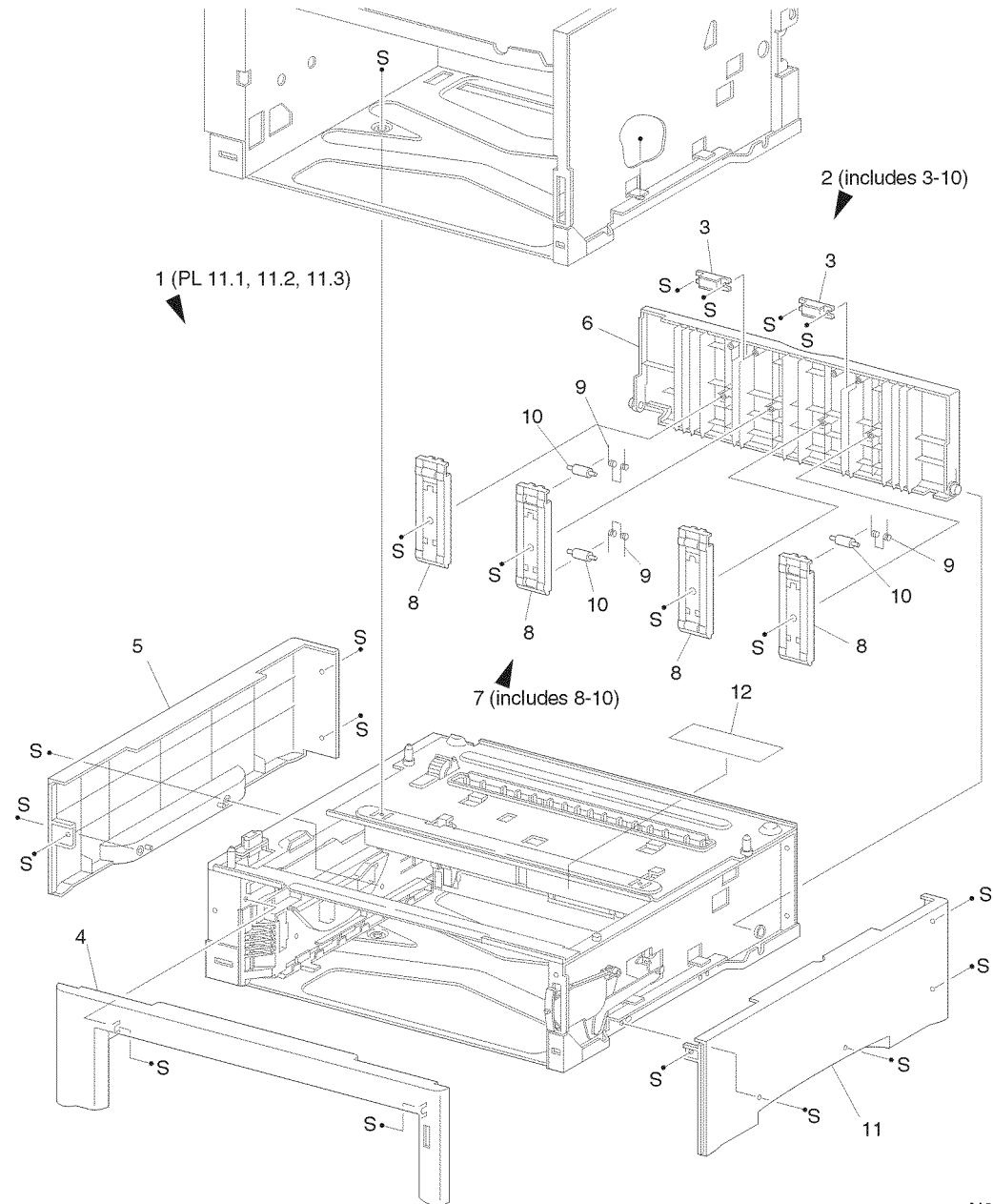
Item	Part	Description
1	48K76356	OCT Assembly (with 2-32)
2	-----	Eliminator Assembly (with 3, 4)
3	-----	Stack Full Bracket
4	-----	Eliminator (Left)
5	162K43580	Stack Full Sensor Harness Assembly (J520-J521,J523)
6	130K86500	OCT Stack Full Sensor
7	120E16940	Stack Full Actuator
8	-----	Offset Arm Guide
9	130K86500	OCT Sensor
10	-----	Offset Assembly (includes 11-14)
11	-----	Offset Chute Assembly
12	-----	Exit Bearing
13	-----	Offset Roll
14	-----	Offset Shaft
15	-----	OCT Chute
16	162K47140	OCT Motor Harness Assembly (J517-J518)
17	127K24581	Offset Motor Assembly
18	-----	Spring Screw
19	-----	Side Frame (Right)
20	-----	Right Support
21	-----	Inlet Roll
22	162K43560	STK-0 Harness Assembly (J514-P526)
23	-----	Left Support
24	127K24560	OCT Motor Assembly
25	-----	Offset Gear
26	-----	Gear 29
27	-----	Idler Gear 14/23
28	-----	Side Frame Assembly (Left)
29	162K43601	OP STK COV Harness Assembly (J524-J525)
30	110E93440	Rear Cover Interlock Switch
31	-----	Clamp
32	-----	OCT PWB
E	600K76430	Hardware Kit (Includes E-ring)
S	600K76430	Hardware Kit (Includes Screw)



N28_5142

PL 11.1 500 Sheet Feeder (1 of 3)

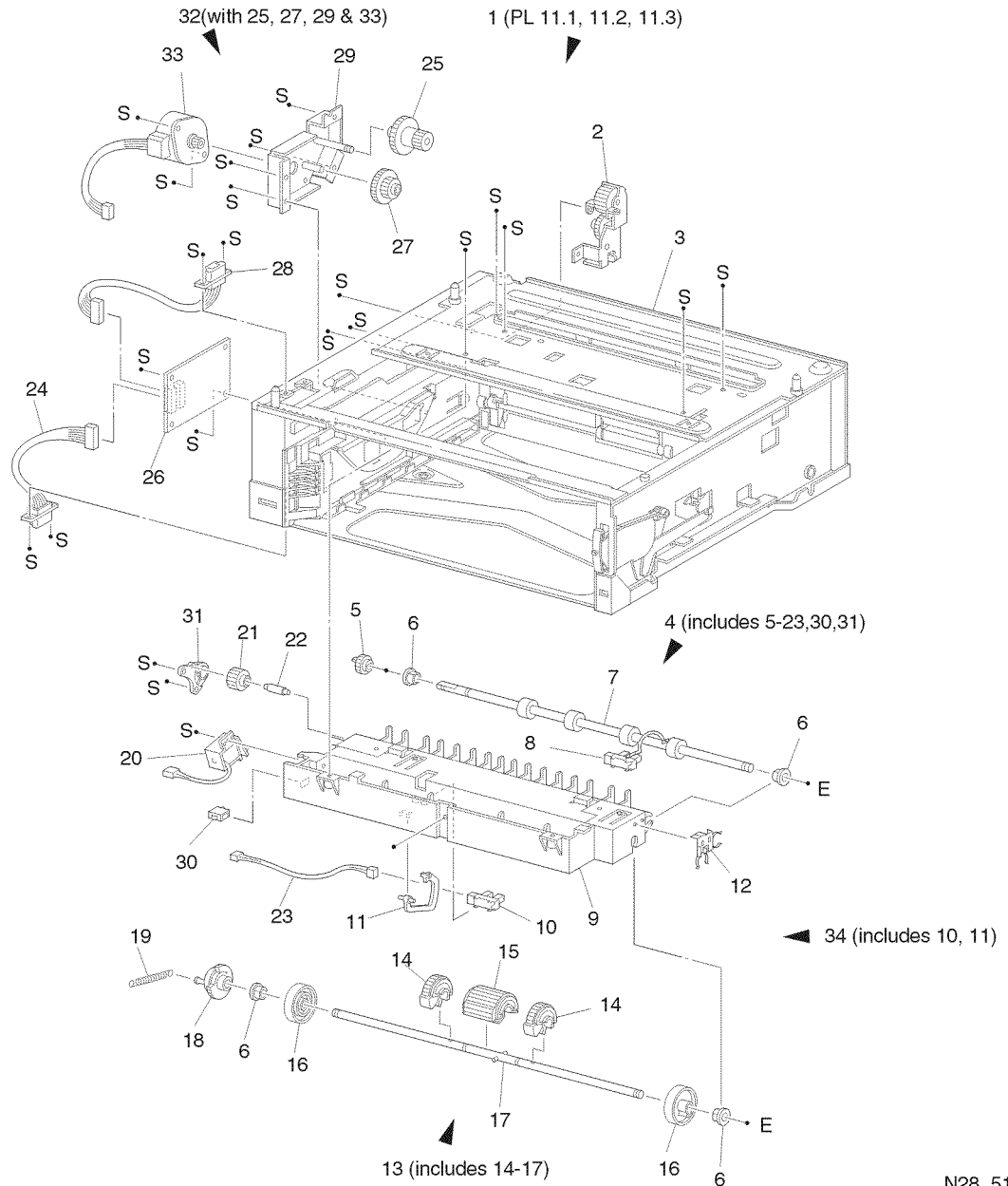
Item	Part	Description
1	-----	Complete Feeder Assembly (Customer Purchased Item)
2	802K11761	Rear Cover Assembly (includes 3-10)
3	-----	Latch (P/O item 2)
4	802E03102	Front Cover (P/O item 2)
5	802E03081	Left Cover (P/O item 2)
6	-----	Rear Cover (P/O item 2)
7	19K94731	Pinch Roll Assembly (includes 8-10) (P/O item 2)
8	-----	Holder (P/O item 2) (P/O item 7)
9	-----	Torsion Spring (P/O item 2) (P/O item 7)
10	-----	Pinch Roll (P/O item 2) (P/O item 7)
11	802E03091	Right Cover
12	-----	Label
S	600K76430	Hardware Kit (Includes Screw)



N28_5111

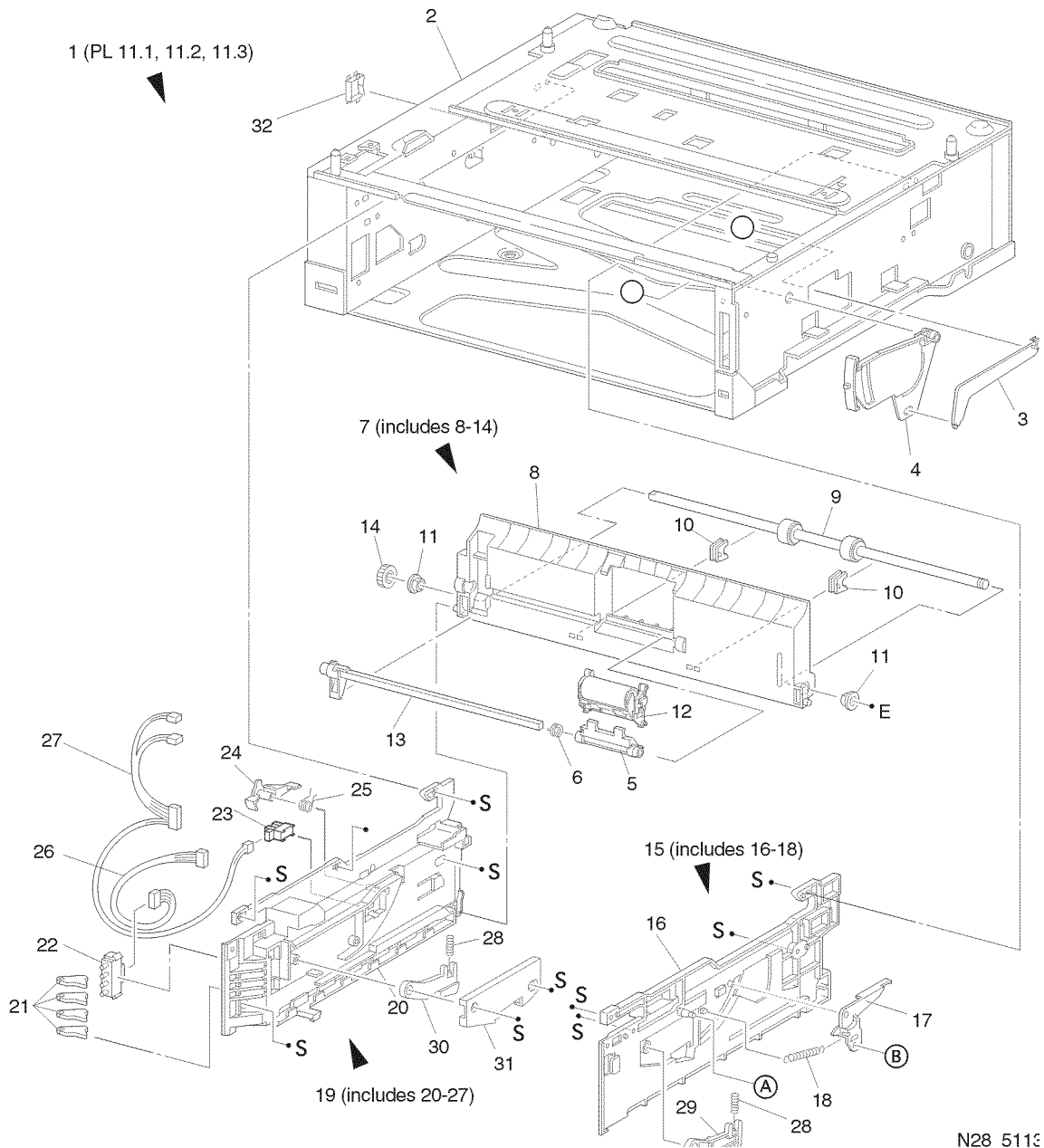
PL 11.2 500 Sheet Feeder (2 of 3)

Item	Part	Description
1	-----	Complete Feeder Assembly (Customer Purchased Item)
2	15K39480	Gear Bracket Assembly 28
3	-----	Feeder Sub Assembly (same as PL 11.3, item 1)
4	54K14725	Feed Head Assembly (includes 5- 22)
5	-----	Turn Gear
6	-----	Bearing
7	-----	Turn Roll Assembly
8	130K60371	Pre Registration Sensor
9	-----	Feeder Chute
10	-----	No Paper Sensor (P/O item 34)
11	-----	No Paper Actuator (P/O item 34)
12	-----	Ground Plate
13	600K73122	Feed Roll Assembly (includes 14- 17)
14	600K73132	Envelope Feed Roll Assembly
15	59K14640	Feed Roll
16	-----	Core Roll
17	-----	Pick Up Shaft
18	-----	Pick Up Gear
19	809E15350	Pick Up Spring 300
20	121K18810	Feed Solenoid
21	-----	Gear 17
22	-----	Gear Shaft
23	162K47400	Harness Assembly, Tray 2/3 J134 (J13A-J134)
24	162K47410	Harness Assembly J136 (P131- J136)
25	15K39480	Gear
26	160K53242	Feeder PWB
27	-----	Gear
28	162K47380	Harness Assembly J131 (J131- J132)
29	-----	Drive Bracket Assembly
30	-----	Connector (reference only)
31	-----	Shaft Plate
32	15K39471	Drive Assembly (with 33-36)
33	-----	Motor Assembly
34	600K72200	No Paper Sensor Kit
E	600K76430	Hardware Kit (Includes E-ring)
S	600K76430	Hardware Kit (Includes Screw)



PL 11.3 500 Sheet Feeder (3 of 3)

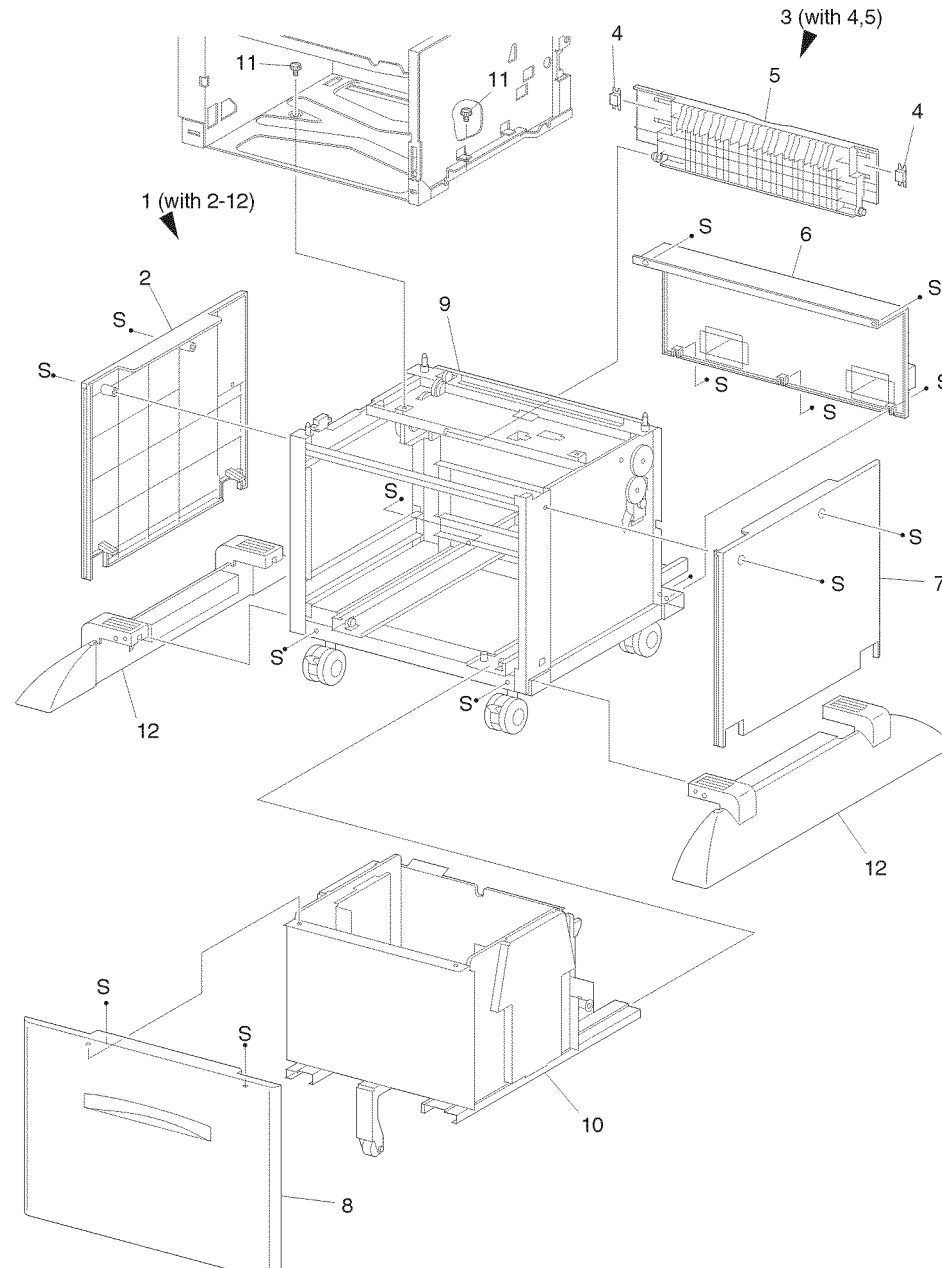
Item	Part	Description
1	-----	Complete Feeder Assembly (Customer Purchased Item)
2	-----	Frame Assembly
3	-----	GG Rod
4	-----	GG Collar Assembly (includes 5, 6)
5	-----	Retard Lever (P/O Item 4)
6	-----	Release Spring (P/O Item 4)
7	54K13055	Retard Chute Assembly (includes 8-14)
8	-----	Retard Chute (P/O Item 7)
9	-----	Turn Roll Assembly (P/O Item 7)
10	-----	Support Bearing (P/O Item 7)
11	-----	Bearing 8 (P/O Item 7)
12	19K94613	Retard Holder Assembly (P/O Item 7)
13	-----	Retard Arm (P/O Item 7)
14	-----	Turn Gear (Left) (P/O Item 7)
15	600K72189	Guide Assembly (Right) (includes 16-18)
16	-----	Guide (Right)
17	-----	Paper Level Actuator
18	-----	Paper Level Spring
19	32K93788	Guide Assembly (Left) (includes 20-28)
20	-----	Guide (Left)
21	-----	Size Actuator
22	110E98320	Paper Size Switch
23	-----	Low Paper Sensor
24	-----	L/P Actuator
25	-----	Spring
26	162K47420	Harness Assembly J138 (J138- J139)
27	162K47390	Harness Assembly J133 (J133- P13A,P135,J137)
28	-----	Tray 1 Spring
29	-----	Tray 1 Arm R
30	-----	Tray 1 Arm L
31	-----	Tray 1 Cap
32	-----	Saddle Edge
E	600K76430	Hardware Kit (Includes E-ring)
S	600K76430	Hardware Kit (Includes Screw)



N28 5113

PL 12.1 2000 Sheet Feeder (1 of 4)

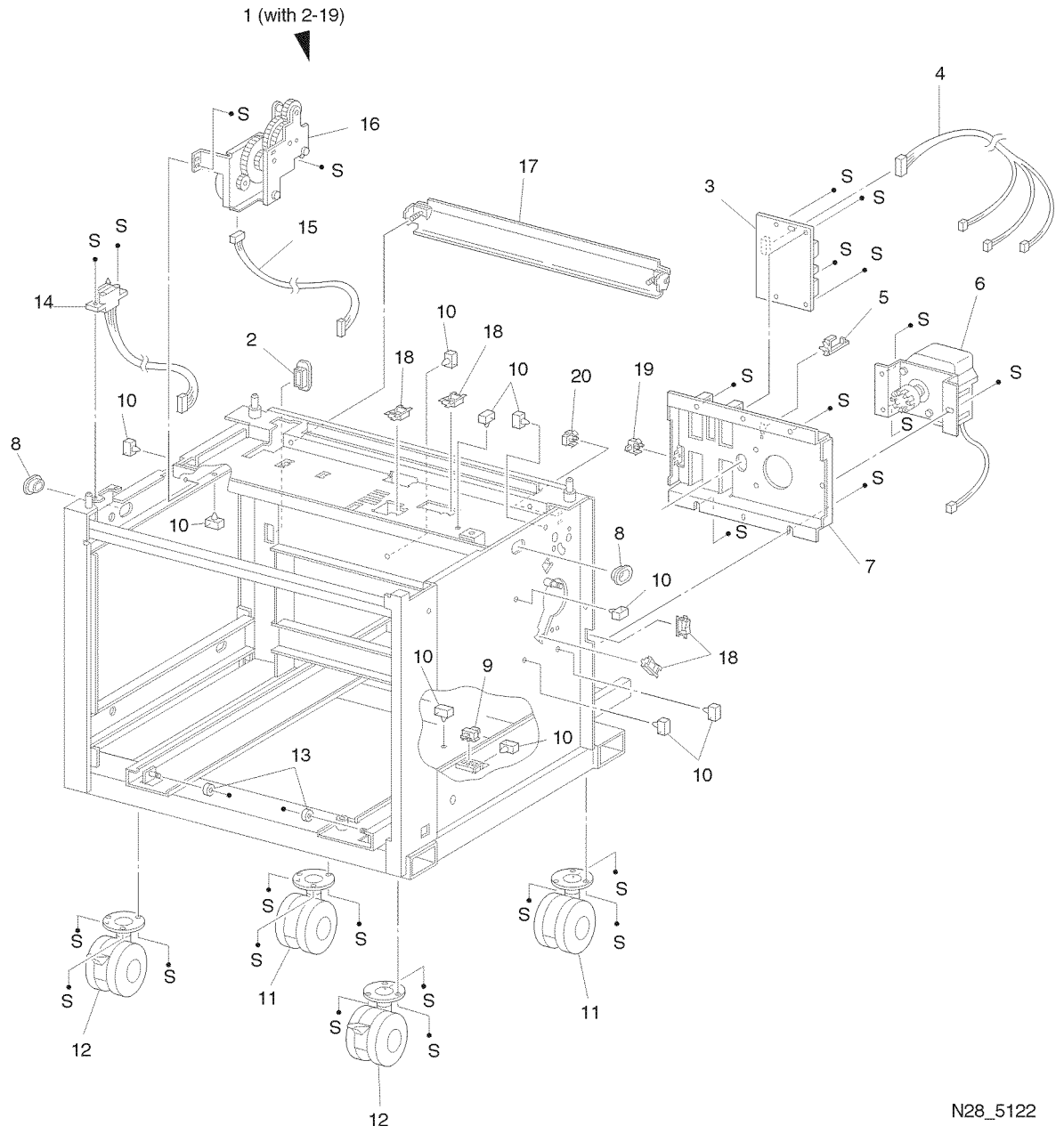
Item	Part	Description
1	-----	Assembly (with 2-11)
2	48K77441	Left Side Cover Assembly.
3	-----	2000 Sheet Feeder R/H Cover Assembly.
4	-----	Folder Magnet
5	48K77533	2000 Sheet Feeder Rear Cover/Door Assembly
6	802K05400	Rear Bottom Cover
7	48K77451	Right Side Cover Assembly.
8	48K69591	Front Cover
9	-----	2000 Sheet Feeder Frame & Drive Assembly (reference only)
10	-----	2000 Sheet Feeder Tray Assembly
11	-----	Screw
12	-----	Foot
S	600K76430	Hardware Kit (Includes Screw)



N28_5121

PL 12.2 2000 Sheet Feeder (2 of 4)

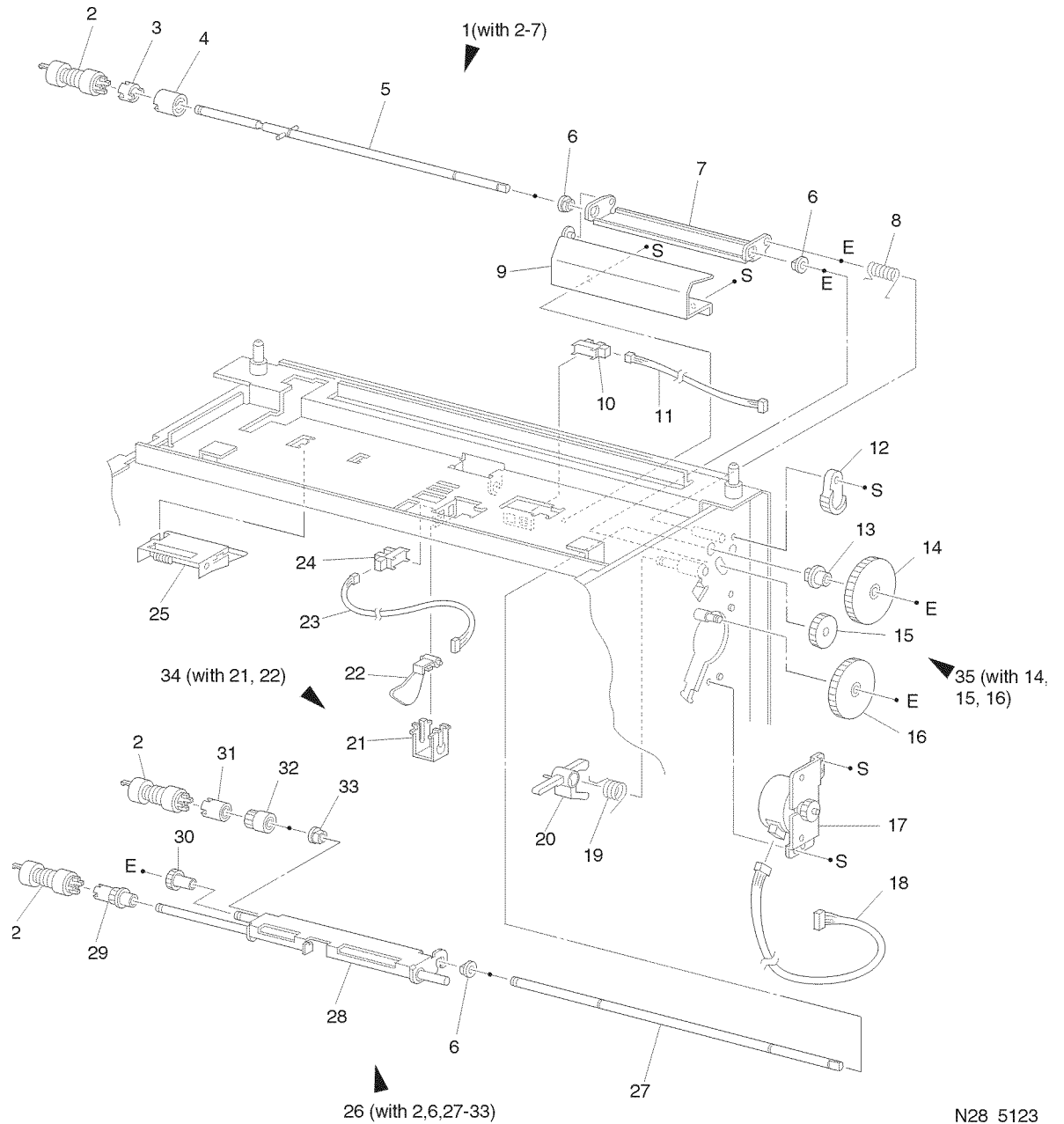
Item	Part	Description
1	-----	2000 Sheet Feeder Frame & Drive Assembly. (with 2-19) (reference only)
2	-----	Bushing
3	160K53033	2000 Sheet Feeder PWB
4	162K47560	2000 Sheet Feeder SW Harness Assembly (J604-J612, J613, J614)
5	-----	Clamp
6	127K24971	Tray Lift Motor Assembly
7	-----	2000 Sheet Feeder PWB Bracket
8	-----	Tray Guide
9	110E93440	A4 Paper Sensor
10	-----	Clamp
11	17E91980	Caster
12	17E91970	Locking Caster
13	600K78420	Roller Kit
14	162K43610	2000 Sheet Feeder-1 Harness Assembly (J131, J601)
15	162K43590	2000 Sheet Feeder Tray Feed Motor Harness Assembly (J607, J615)
16	7K85142	2000 Sheet Feeder Drive Assembly
17	54K14725	Chute Feed Out Assembly
18	-----	Saddle Edge
19	110E93440	Drawer In Interlock Switch
20	110E93440	Rear Cover Interlock Switch
S	600K76430	Hardware Kit (Includes Screw)



N28_5122

PL 12.3 2000 Sheet Feeder (3 of 4)

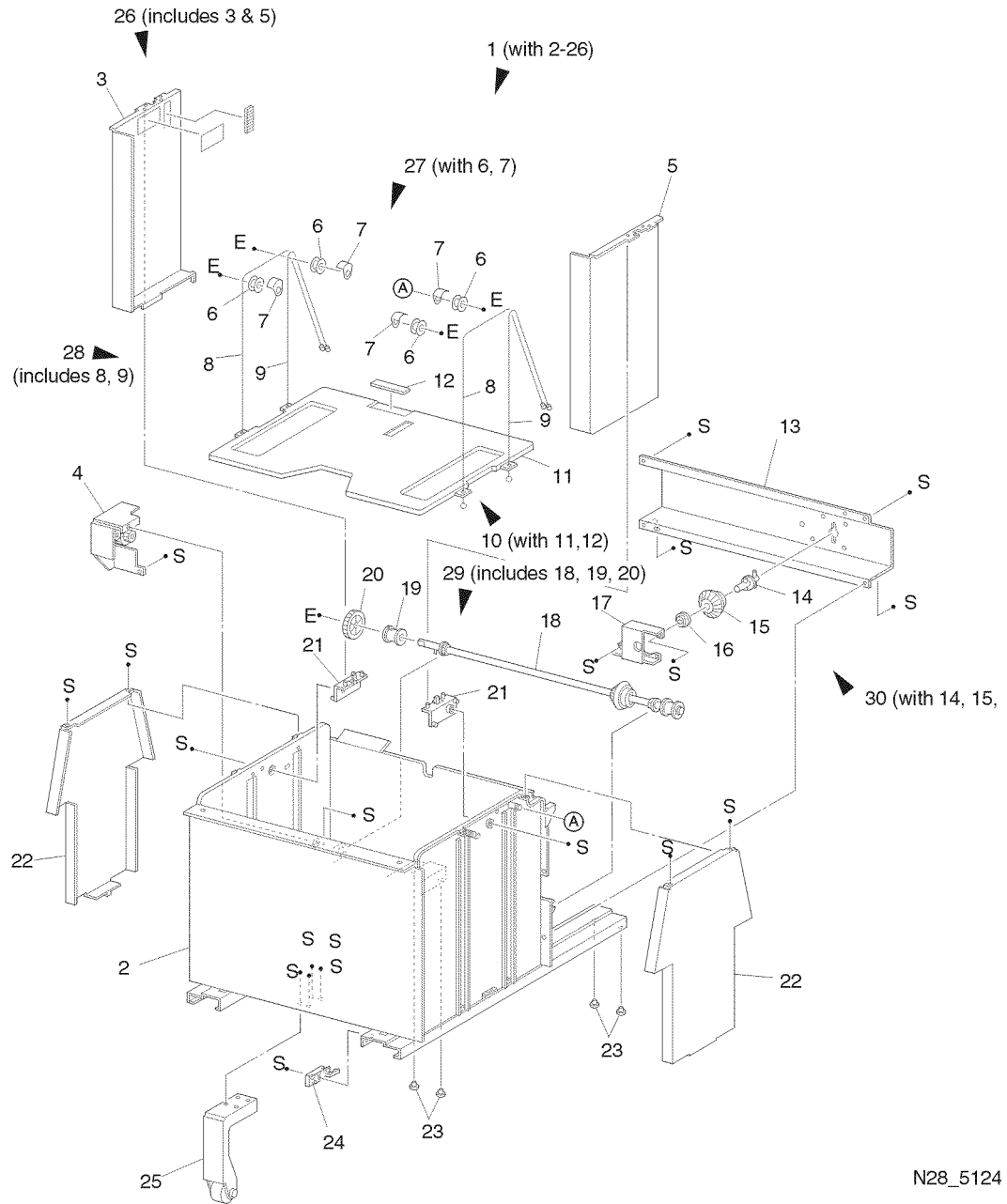
Item	Part	Description
1	50K33810	2000 Sheet Feeder Retard Assembly (with 2-7)
2	-----	Roll Assembly (see kit) (P/O Item 1)
	600K78460	2000 Sheet Feeder Feed Roll Kit (3 pieces) (P/O Item 1)
3	-----	Spacer (P/O Item 1)
	600K78500	Spacer Kit (P/O Item 1)
4	-----	Friction Clutch Assy (P/O Item 1)
5	-----	Retard Shaft Assy (P/O Item 1)
6	-----	Bearing S6 (P/O Item 1)
7	-----	Retard Support (P/O Item 1)
8	809E20551	Retard Spring
9	-----	Retard Support Assembly
10	130E82740	Paper Height Sensor
11	162K47550	2000 Sheet Feeder FRDY Harness Assembly (J603-J611)
12	-----	Stopper Gear
13	-----	2000 Sheet Feeder Feed Bearing
14	-----	Gear 50T (P/O Item 35)
15	-----	Gear 22T (P/O Item 35)
16	-----	Gear 47T (P/O Item 35)
17	127K24911	Feed Motor Assembly
18	162K47530	2000 Sheet Feeder Feed Motor Harness Assembly (J606-J609)
19	600K78440	Link Stopper / Spring Kit
20	-----	Stopper Link (P/O item 19)
21	-----	Actuator Support (P/O Item 34)
22	-----	Actuator (P/O Item 34)
23	162K47540	2000 Sheet Feeder No Paper Sensor Harness Assembly (J602-J610)
24	130E82740	No Paper Sensor
25	54K08820	Front Chute Assembly
26	50K36761	2000 Sheet Feeder Assembly (with 2,6,27-33)
27	-----	2000 Sheet Feeder Feed Shaft
28	-----	Nudger Support Assembly
29	-----	Gear 25T
30	-----	Gear 31T
31	-----	O.W. Clutch Assembly
32	-----	Gear 25T Clutch
33	-----	Bearing
34	600K78450	No Paper Actuator Kit (includes 21, 22)
35	600K78430	2000 Sheet Feeder Gear Kit (includes 14, 15, 16)
E	600K76430	Hardware Kit (Includes E-ring)
S	600K76430	Hardware Kit (Includes Screw)



N28 5123

PL 12.4 2000 Sheet Feeder (4 of 4)

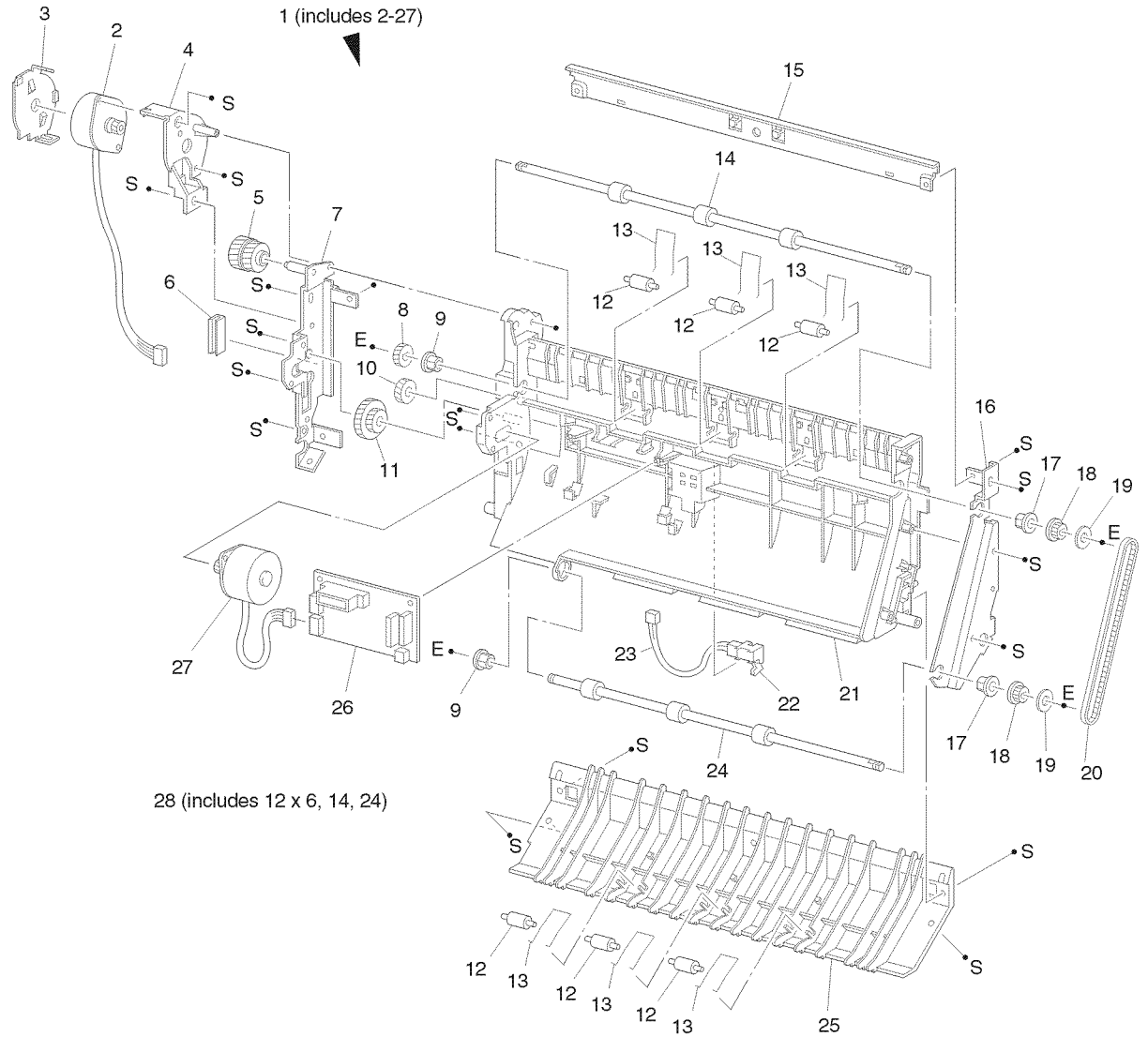
Item	Part	Description
1	-----	2000 Sheet Feeder Tray Assembly (with 2-25)
2	-----	2000 Sheet Feeder Housing Assembly
3	-----	Left Side Guide (P/O item 26)
4	19K94630	Brake Assembly
5	-----	Right Side Guide (P/O item 26)
6	-----	Pulley (P/O item 27)
7	-----	Wire Guide (P/O item 27)
8	-----	Wire 2 (P/O item 28)
9	-----	Wire 1 (P/O item 28)
10	-----	Bottom Plate Assembly (with 11,12)
11	-----	Bottom Plate
12	19E19780	Bottom Pad
13	-----	Shaft Cover Assembly
14	-----	Drive Shaft Assembly (P/O item 30)
15	7E55100	Bevel Gear (P/O item 30)
16	-----	Bearing (P/O item 30)
17	-----	Gear Bracket
18	-----	Elevator Shaft Assembly (P/O item 29)
19	-----	Cable Pulley (P/O item 29)
20	-----	Gear 33 (P/O item 29)
21	3E48202	Side Guide Latch
22	-----	Wire Cover
23	600K78500	Spacer Kit
24	3E23671	Drawer Latch
25	17K92370	Tray Caster Assembly
26	600K78470	2000 Sheet Feeder Tray Side Guides (includes 3 & 5)
27	600K78480	Elevator Wire Guide Kit (includes items 6 & 7)
28	600K78490	Elevator Wire Kit (includes items 8 & 9)
29	600K78520	2000 Sheet Feeder Elevator Shaft Kit (includes 18, 19, 20)
30	600K78510	Drive Gear Kit (includes 14, 15, 16)
E	600K76430	Hardware Kit (Includes E-ring)
S	600K76430	Hardware Kit (Includes Screw)



N28_5124

PL 13.1 Duplex

Item	Part	Description
1	-----	Duplex Assembly (includes 2-27)
2	-----	Exit Motor Assembly
3	-----	Duplex Motor Cover
4	-----	Duplex Motor Case
5	-----	Duplex Gear 33
6	-----	Clamp
7	-----	Duplex Bracket (Left)
8	-----	Gear Z15
9	-----	Duplex Bearing
10	-----	Gear Z16
11	-----	Gear Z45/17
12	-----	Duplex Pinch Roll (P/O item 28)
13	-----	Duplex Pinch Spring
14	-----	Duplex Roll Assembly (Upper) (P/O item 28)
15	-----	Duplex Top Bracket
16	-----	Duplex Bracket (Right)
17	-----	Exit Bearing
18	-----	Synchronous Pulley
19	-----	Collar
20	23E15680	Duplex Drive Belt
21	-----	Duplex Frame
22	130K59671	Duplex Sensor Assembly
23	-----	Duplex Sensor Harness Assembly
24	-----	Duplex Roll Assembly (Lower) (P/O item 28)
25	-----	Duplex Pinch Holder
26	-----	Duplex PWB
27	-----	Duplex Motor Assembly
28	600K72270	Kit (includes item 12 x 6 pieces, 14, 24)
E	600K76430	Hardware Kit (Includes E-ring)
S	600K76430	Hardware Kit (Includes Screw)



N28 5131