



DP-100

PARTS LIST

Published in Feb.'03
843HK120

———— CONTENTS ————

FIG.1	EXTERIOR COVERS	2
FIG.2	PAPER FEED SECTION	4
	• INDEX	6

FIG. 1 EXTERIOR COVERS

3HK

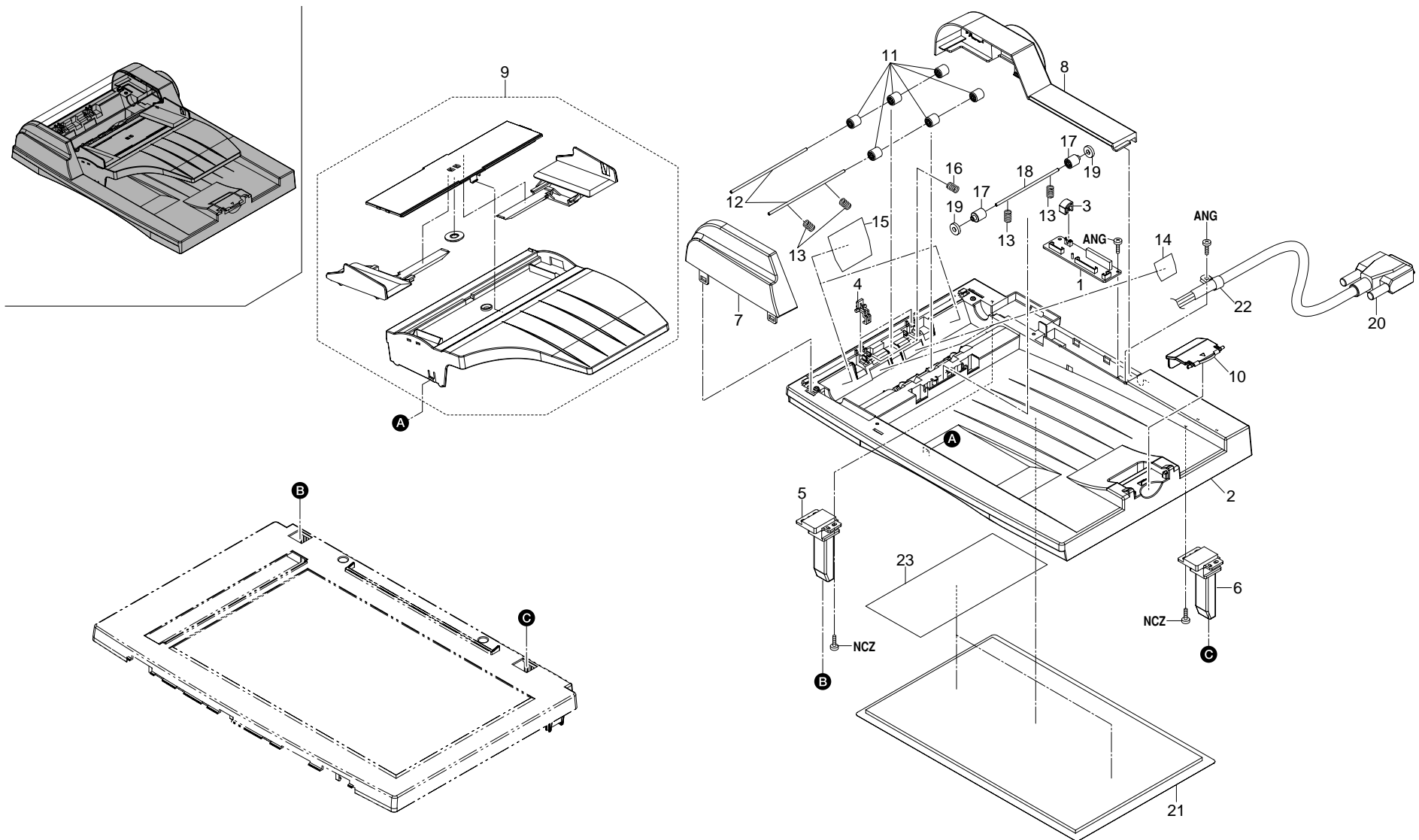


FIG. 1 EXTERIOR COVERS

3HK

SP	Ref. No.	Part. No.	Description	Quantity		
				120V	230V	240V
●	1	3HK01010	DRIVER PCB ASSY	1	1	1
	2	3HK02010	BASE(1/2)	1	1	1
●	3	3HK02030	ACT DP	1	1	1
●	4	3HK02040	LEVER RELEASE	2	2	2
●	5	3HK03010	HINGE L	1	1	1
●	6	3HK03020	HINGE R	1	1	1
●	7	3HK04010	COVER F	1	1	1
●	8	3HK04020	COVER R	1	1	1
●	9	3HK68010	TABLE ASSY	1	1	1
●	10	3HK04050	STOPPER DP	1	1	1
●	11	3HK08040	PULLEY CONV	6	6	6
	12	3HK08050	SHAFT CONV PULLEY	2	2	2
	13	3HK08070	SPRING CONV	4	4	4
●	14	3HK08130	FILM A CONV	2	2	2
●	15	3HK08140	FILM B CONV	2	2	2
	16	3HK08150	SPRING,REGIST	2	2	2
●	17	3HK10030	PULLEY EJECT	2	2	2
	18	3HK10040	SHAFT EJECT PULLEY	1	1	1
●	19	3HK10060	SPONGE EJECT	2	2	2
●	20	3HK27020	CONN.CORD ASSY PCB-INTERFACE	1	1	1
●	21	2DC11020	MAT ORIGINAL HOLDER	1	1	1
	22	M2105030	NYLON CLAMP 5N,NK-5N	1	1	1
	23	2DC11050	TAPE ORIGINAL HOLDER	2	2	2

- Parts with "●" are component parts or sub-assemblies of the assembly appearing immediately above them.
- Parts with "●" indicates the spare parts.

FIG. 2 PAPER FEED SECTION

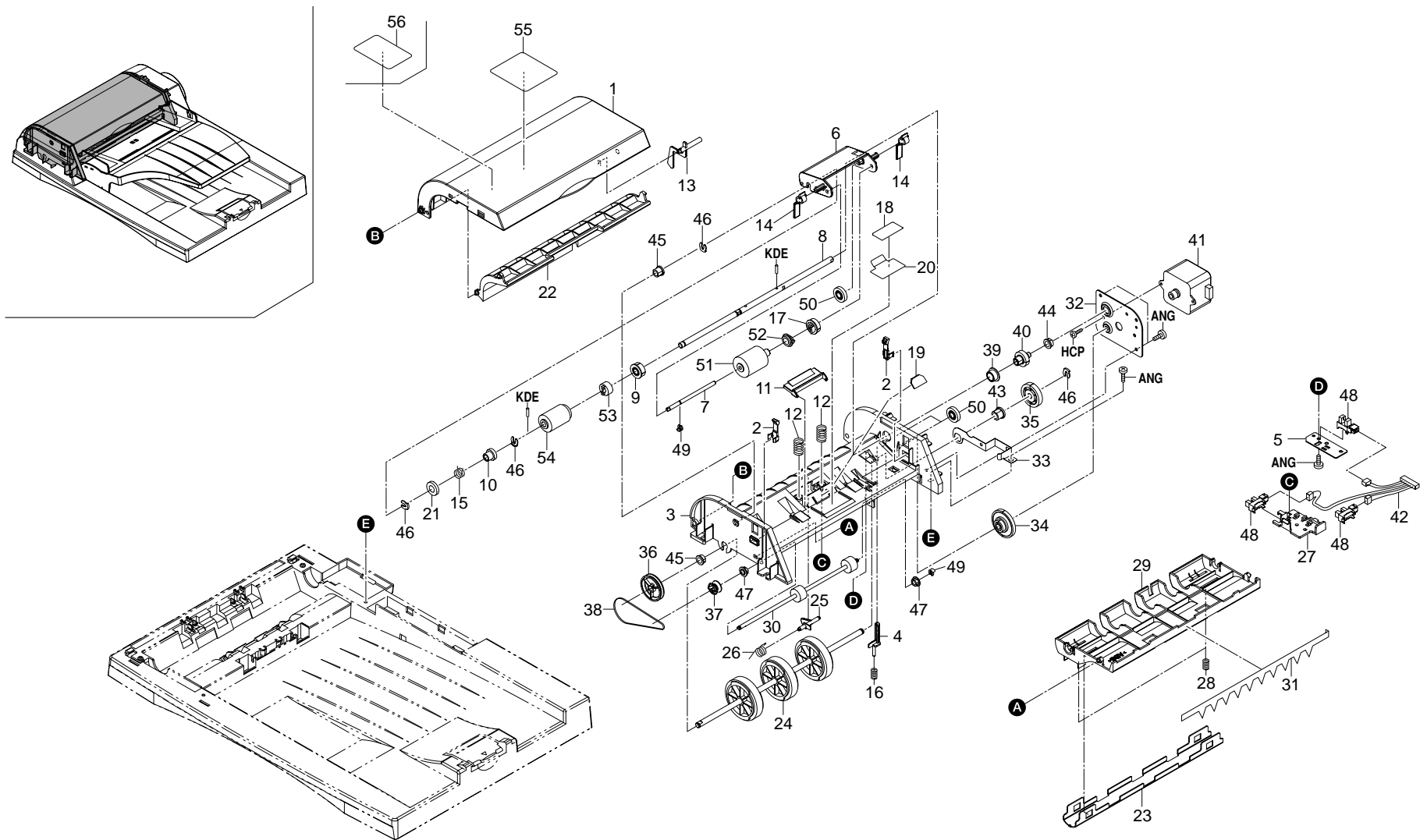


FIG. 2 PAPER FEED SECTION

3HK

SP	Ref. No.	Part. No.	Description	Quantity		
				120V	230V	240V
●	1	3HK04030	COVER PF	1	1	1
●	2	3HK04040	HOOK PF	2	2	2
●	3	3HK07010	HOUSING	1	1	1
●	4	3HK07020	ACT RELEASE	1	1	1
●	5	3HK07030	MNT RELEASE	1	1	1
●	6	3HK07040	HOLDER LF	1	1	1
●	7	3HK07050	SHAFT LF	1	1	1
●	8	3HK07060	SHAFT PF	1	1	1
●	9	3HK07070	GR PF PULLEY	1	1	1
●	10	3HK07080	COLLAR S SPRING	1	1	1
●	11	3HK68020	SEPARATION PAD ASSY	1	1	1
●	12	3HK07110	SPRING PAD	2	2	2
●	13	3HK07120	ACT ORIGINAL	1	1	1
●	14	3HK07130	STOPPER PF	2	2	2
●	15	3HK07140	SPRING LF	1	1	1
●	16	3HK07170	SPRING RELEASE	1	1	1
●	17	3HK07200	GR 18 LF	1	1	1
●	18	3HK07240	FRICTION PLATE LF	1	1	1
●	19	3HK07250	FRONT PAD SEP	1	1	1
●	20	3HK07260	FRONT FILM SEP	1	1	1
●	21	3HK07270	COLLAR PF	1	1	1
●	22	3HK08010	GUIDE CONV	1	1	1
●	23	3HK08020	GUIDE READING	1	1	1
●	24	3HK08030	ROLLER CONV ASSY	1	1	1
●	25	3HK08060	ACT TIMING	1	1	1
●	26	3HK08080	SPRING TIMING	1	1	1
●	27	3HK08110	MNT TIMING SW	1	1	1
●	28	3HK08120	SPRING READING	2	2	2
●	29	3HK10010	GUIDE EJECT	1	1	1
●	30	3HK10020	ROLLER EJECT	1	1	1
●	31	3HK10050	ELIMINATOR	1	1	1
●	32	3HK22010	MNT MOTOR	1	1	1
●	33	3HK22020	GROUND PLATE	1	1	1
●	34	3HK22030	GR 65/16	1	1	1
●	35	3HK22040	GR 33 CONV	1	1	1
●	36	3HK22070	V-PULLEY CONV	1	1	1
●	37	3HK22080	V-PULLEY EJECT	1	1	1
●	38	3HK22090	BELT CONV	1	1	1
●	39	3HK22160	BUSHING PF	1	1	1
●	40	3HK22220	GEAR 20 PF	1	1	1

SP	Ref. No.	Part. No.	Description	Quantity		
				120V	230V	240V
●	41	3HK27010	MOTOR DP	1	1	1
●	42	3HK27030	CONN.CORD ASSY PCB-SENSOR	1	1	1
●	43	29806810	BUSHING,6 REGISTRATION	1	1	1
●	44	2A116180	BUSHING,TRANSFER	1	1	1
●	45	2A806030	BUSH FEED	2	2	2
●	46	2A806250	RING STOPPER	4	4	4
●	47	2A806260	BUSH PULLEY FEED	2	2	2
●	48	2BL27450	SWITCH PI	3	3	3
●	49	2BT11070	STOPPER 3	2	2	2
●	50	35322020	GEAR 20,PAPER FEED DRIVE	3	3	3
●	51	36211110	PULLEY,LEADING FEED ADF	1	1	1
●	52	36211500	GEAR,LEADING FEED JOINT	1	1	1
●	53	3BC07130	ONE-WAY CLUTCH 6	1	1	1
●	54	3BR07040	PULLEY,PAPER FEED	1	1	1
●	55	3HK05020	LABEL CAUTION J	1	1	1
●	56	3HK05030	LABEL CAUTION E	1	1	1

- Parts with "●" are component parts or sub-assemblies of the assembly appearing immediately above them.
- Parts with "●" indicates the spare parts.

INDEX

3HK

SP	Part. No.	Description	Quantity			Fig. No.
			120V	230V	240V	
	2A116180	BUSHING,TRANSFER	1	1	1	2
	2A806030	BUSH FEED	2	2	2	2
●	2A806250	RING STOPPER	4	4	4	2
	2A806260	BUSH PULLEY FEED	2	2	2	2
●	2BL27450	SWITCH PI	3	3	3	2
●	2BT11070	STOPPER 3	2	2	2	2
●	2DC11020	MAT ORIGINAL HOLDER	1	1	1	1
	2DC11050	TAPE ORIGINAL HOLDER	2	2	2	1
	29806810	BUSHING,6 REGISTRATION	1	1	1	2
●	3BC07130	ONE-WAY CLUTCH 6	1	1	1	2
●	3BR07040	PULLEY,PAPER FEED	1	1	1	2
●	3HK01010	DRIVER PCB ASSY	1	1	1	1
	3HK02010	BASE(1/2)	1	1	1	1
●	3HK02030	ACT DP	1	1	1	1
●	3HK02040	LEVER RELEASE	2	2	2	1
●	3HK03010	HINGE L	1	1	1	1
●	3HK03020	HINGE R	1	1	1	1
●	3HK04010	COVER F	1	1	1	1
●	3HK04020	COVER R	1	1	1	1
●	3HK04030	COVER PF	1	1	1	2
●	3HK04040	HOOK PF	2	2	2	2
●	3HK04050	STOPPER DP	1	1	1	1
●	3HK05020	LABEL CAUTION J	1	1	1	2
●	3HK05030	LABEL CAUTION E	1	1	1	2
	3HK07010	HOUSING	1	1	1	2
●	3HK07020	ACT RELEASE	1	1	1	2
	3HK07030	MNT RELEASE	1	1	1	2
	3HK07040	HOLDER LF	1	1	1	2
	3HK07050	SHAFT LF	1	1	1	2
	3HK07060	SHAFT PF	1	1	1	2
●	3HK07070	GR PF PULLEY	1	1	1	2
	3HK07080	COLLAR S SPRING	1	1	1	2
	3HK07110	SPRING PAD	2	2	2	2
●	3HK07120	ACT ORIGINAL	1	1	1	2
●	3HK07130	STOPPER PF	2	2	2	2
●	3HK07140	SPRING LF	1	1	1	2
	3HK07170	SPRING RELEASE	1	1	1	2
●	3HK07200	GR 18 LF	1	1	1	2
●	3HK07240	FRICTION PLATE LF	1	1	1	2
●	3HK07250	FRONT PAD SEP	1	1	1	2

SP	Part. No.	Description	Quantity			Fig. No.
			120V	230V	240V	
●	3HK07260	FRONT FILM SEP	1	1	1	2
●	3HK07270	COLLAR PF	1	1	1	2
	3HK08010	GUIDE CONV	1	1	1	2
●	3HK08020	GUIDE READING	1	1	1	2
●	3HK08030	ROLLER CONV ASSY	1	1	1	2
●	3HK08040	PULLEY CONV	6	6	6	1
	3HK08050	SHAFT CONV PULLEY	2	2	2	1
●	3HK08060	ACT TIMING	1	1	1	2
	3HK08070	SPRING CONV	4	4	4	1
	3HK08080	SPRING TIMING	1	1	1	2
	3HK08110	MNT TIMING SW	1	1	1	2
	3HK08120	SPRING READING	2	2	2	2
●	3HK08130	FILM A CONV	2	2	2	1
●	3HK08140	FILM B CONV	2	2	2	1
	3HK08150	SPRING,REGIST	2	2	2	1
	3HK10010	GUIDE EJECT	1	1	1	2
●	3HK10020	ROLLER EJECT	1	1	1	2
●	3HK10030	PULLEY EJECT	2	2	2	1
	3HK10040	SHAFT EJECT PULLEY	1	1	1	1
●	3HK10050	ELIMINATOR	1	1	1	2
●	3HK10060	SPONGE EJECT	2	2	2	1
	3HK22010	MNT MOTOR	1	1	1	2
	3HK22020	GROUND PLATE	1	1	1	2
●	3HK22030	GR 65/16	1	1	1	2
●	3HK22040	GR 33 CONV	1	1	1	2
●	3HK22070	V-PULLEY CONV	1	1	1	2
●	3HK22080	V-PULLEY EJECT	1	1	1	2
●	3HK22090	BELT CONV	1	1	1	2
●	3HK22160	BUSHING PF	1	1	1	2
●	3HK22220	GEAR 20 PF	1	1	1	2
●	3HK27010	MOTOR DP	1	1	1	2
●	3HK27020	CONN.CORD ASSY PCB-INTERFACE	1	1	1	1
	3HK27030	CONN.CORD ASSY PCB-SENSOR	1	1	1	2
●	3HK68010	TABLE ASSY	1	1	1	2
●	3HK68020	SEPARATION PAD ASSY	1	1	1	2
●	35322020	GEAR 20,PAPER FEED DRIVE	3	3	3	2
●	36211110	PULLEY,LEADING FEED ADF	1	1	1	2
●	36211500	GEAR,LEADING FEED JOINT	1	1	1	2
	M2105030	NYLON CLAMP 5N,NK-5N	1	1	1	1

• Parts with "●" indicates the spare parts.

CLASSIFICATION OF THE SCREWS IN ILLUSTRATION

<u>REF.</u>	<u>ITEM #</u>	<u>DESCRIPTION</u>
ANG	B4073080	TRIPLE TAP-TITE B SCREW M3X8
HCP	B4003060	TRIPLE SEREW M3X6
KDE	E1120100	SPRING PIN M2 X 10 SUS-DP XX
NCZ	B4213100	TRIPLE SCREW M3X10(UNICRO)