



FAX/MFC

PARTS REFERENCE LIST

MODEL

DCP- B7520DW /B7535DW/L2510D /L2512D
DCP- L2530DW L2532DW /L2535DW /L2537DW
DCP- L2550DN /L2550DW/ L2551DN/L2552DN
HL- L2390DW/L2395DW
MFC- B7715DW /L2710DN/ L2710DW / L2712DN
MFC- L2712DW/L2713DW/L2715DW / L2716DW
MFC- L2730DW/L2732DW/L2750DW
MFC- L2750DWXL / L2751DW

Read this list thoroughly before maintenance work.
Keep this list in a convenient place for quick and easy reference at all times.

NOTE FOR USING THIS PARTS REFERENCE LIST

1. In the case of ordering parts, it is necessary to mention the following items:

- (1) Code
- (2) Q'ty
- (3) Description

<Example>

	(1)	(2)	(3)			
REFNo.	CODE	Q'TY	DESCRIPTION	MODEL	SPEC	REMARKS

2. Design-changed parts:

If any of the parts code is changed in this Parts List, one of the following symbols is indicated in the REMARKS column.

CHG (chg): The parts code is changed for a new one in this Parts List.

ADD (add): The parts code is newly added in this Parts List.

DEL (del): The parts code is deleted in this Parts List.

Symbol in capital letters indicates the latest parts change information in the page.

3. Parts change will be informed by the Parts change information.

4. Parts are subject to change in design without prior notice.

COUNTRIES & AREAS

ARL ----- AUSTRALIA

ASA ----- ASIA (SINGAPORE/GULF)

CAN ----- CANADA

CEE ----- CEE GENERAL

FRA/BEL/HOL -----

FRANCE/BELGIUM/NETHERLANDS

GER ----- GERMANY

IBE ----- IBERIA (SPAIN/PORTUGAL)

ISR----- ISRAEL

ITA ----- ITALY

NZ----- NEW ZEALAND

PND ----- PAN-NORDIC

(NORWAY/FINLAND/DENMARK/SWEDEN)

POL ----- POLAND

RUS---- RUSSIA

SWI ----- SWITZERLAND

TUR ----- TURKEY

TWN-----TAIWAN

UK ----- UNITED KINGDOM

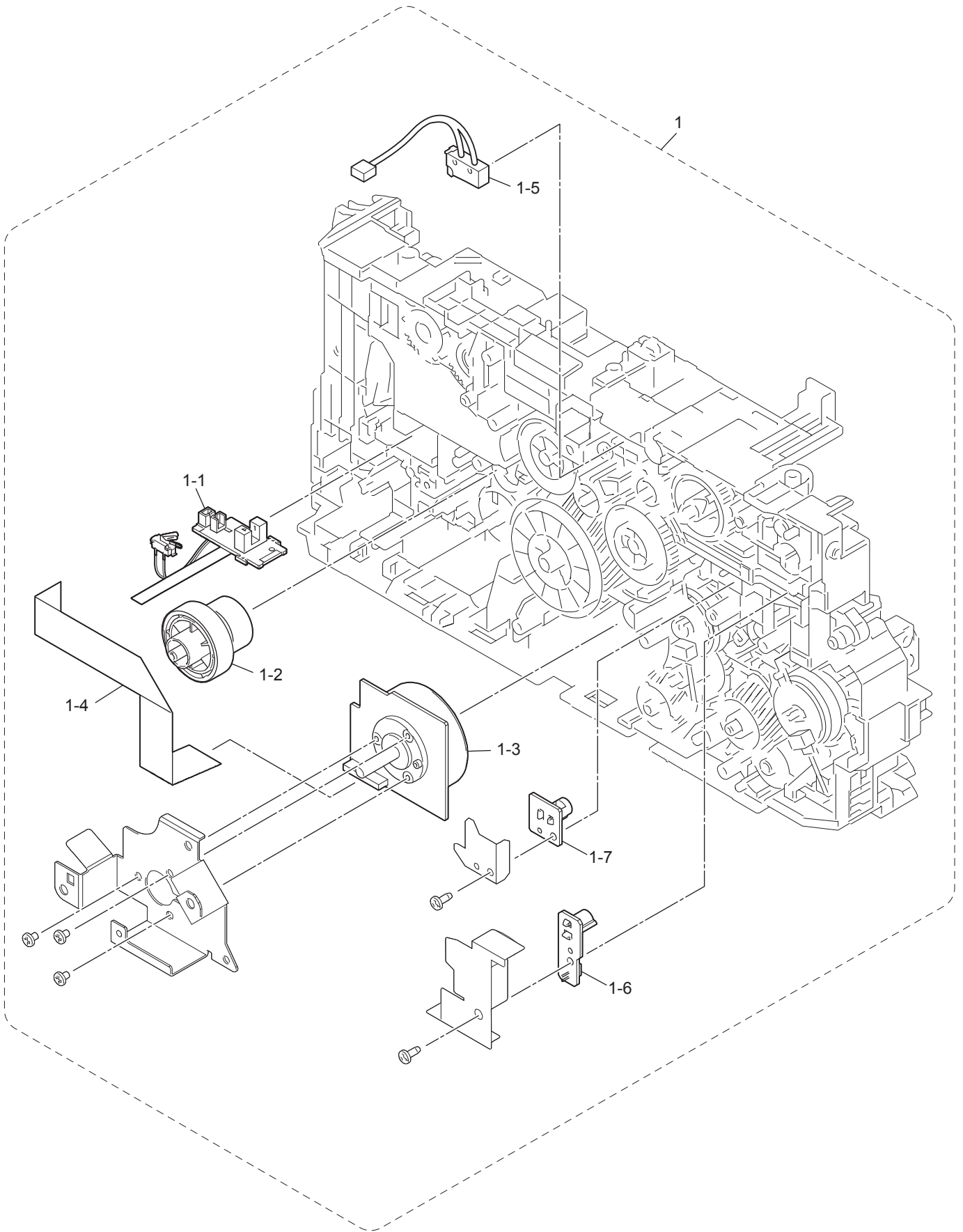
US ----- U.S.A.

VNM/IDN----- VIETNAM/ INDONESIA

CONTENTS

1.	<u>FRAME L & DRIVE UNIT</u>	1
2.	<u>PAPER FEEDER</u>	3
3.	<u>FRAME</u>	5
4.	<u>LASER UNIT</u>	7
5.	<u>DX</u>	9
6.	<u>PAPER CASSETTE</u>	11
7.	<u>FUSER UNIT</u>	13
8.	<u>COVER& LABEL</u>	15
9.	<u>DOCUMENT SCANNER</u>	21
10.	<u>ADF & DOCUMENT COVER</u>	24
11.	<u>PANEL</u>	27
12.	<u>PCB</u>	31
13.	<u>ACCESSORIES</u>	36
14.	<u>PACKAGING MATERIALS</u>	39

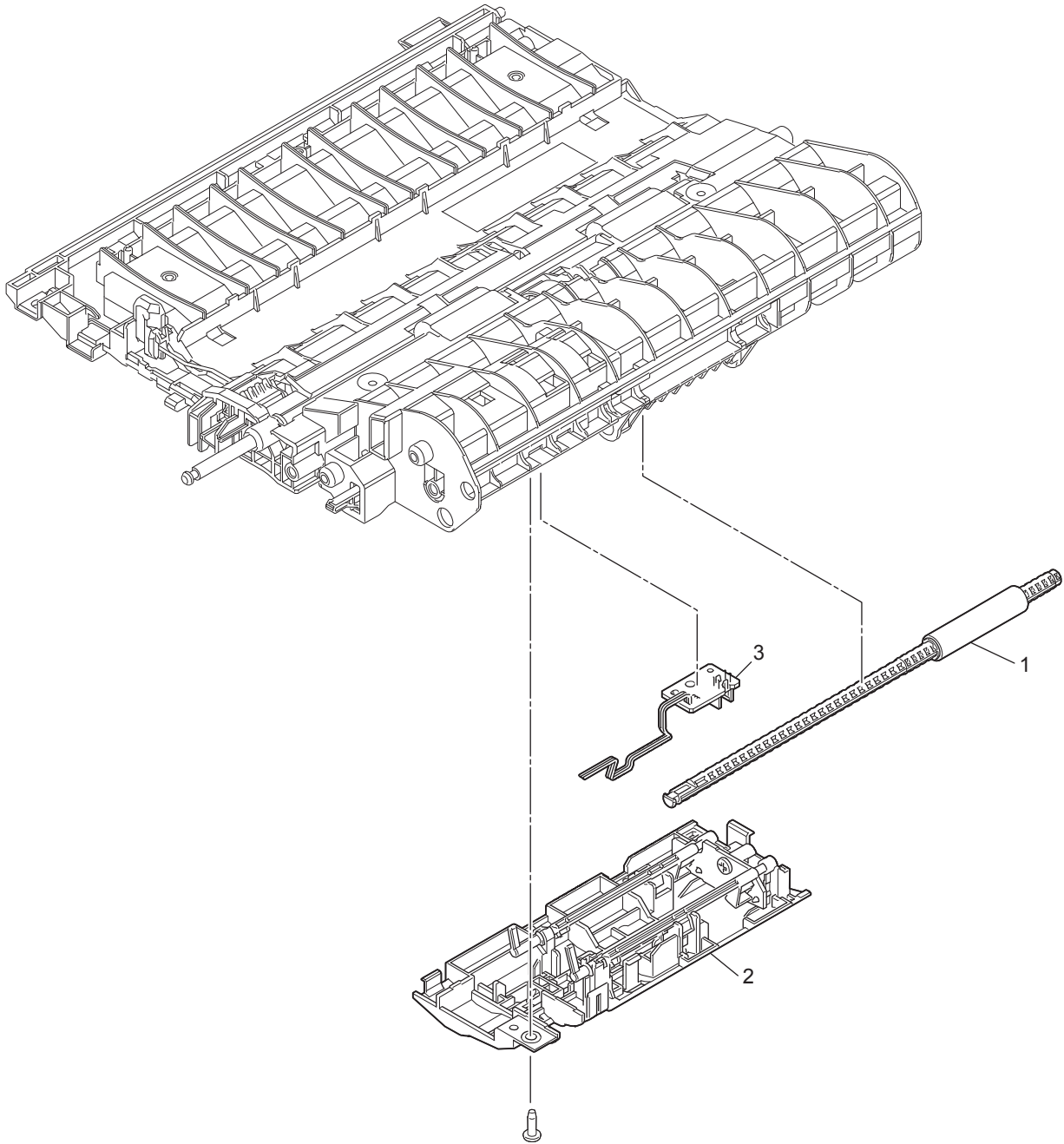
1. FRAME L&DRIVE UNIT



1. FRAME L&DRIVE UNIT

REF NO.	CODE	Q'TY	DESCRIPTION	MODEL	SPEC	REMARKS
1	D00WXC001	1	FRAME L UNIT SP	DCP-B7520DW		
1	D00WXC001	1	FRAME L UNIT SP	DCP-B7535DW		
1	D00WX9001	1	FRAME L UNIT SP	DCP-L2510D		
1	D00WX9001	1	FRAME L UNIT SP	DCP-L2512D		
1	D00WX9001	1	FRAME L UNIT SP	DCP-L2530DW		
1	D00WX9001	1	FRAME L UNIT SP	DCP-L2532DW		
1	D00WX9001	1	FRAME L UNIT SP	DCP-L2535DW		
1	D00WX9001	1	FRAME L UNIT SP	DCP-L2537DW		
1	D00WXD001	1	FRAME L UNIT SP	DCP-L2550DN		
1	D00WXD001	1	FRAME L UNIT SP	DCP-L2550DW		
1	D00WXD001	1	FRAME L UNIT SP	DCP-L2551DN		
1	D00WXD001	1	FRAME L UNIT SP	DCP-L2552DN		
1	D00WX9001	1	FRAME L UNIT SP	HL-L2390DW		
1	D00WXD001	1	FRAME L UNIT SP	HL-L2395DW		
1	D00WXC001	1	FRAME L UNIT SP	MFC-B7715DW		
1	D00WXD001	1	FRAME L UNIT SP	MFC-L2710DN		
1	D00WXD001	1	FRAME L UNIT SP	MFC-L2710DW		
1	D00WXD001	1	FRAME L UNIT SP	MFC-L2712DN		
1	D00WXD001	1	FRAME L UNIT SP	MFC-L2712DW		
1	D00WXD001	1	FRAME L UNIT SP	MFC-L2713DW		
1	D00WXD001	1	FRAME L UNIT SP	MFC-L2715DW		
1	D00WXD001	1	FRAME L UNIT SP	MFC-L2716DW		
1	D00WXD001	1	FRAME L UNIT SP	MFC-L2730DW		
1	D00WXD001	1	FRAME L UNIT SP	MFC-L2732DW		
1	D00WXD001	1	FRAME L UNIT SP	MFC-L2750DW		
1	D00WXD001	1	FRAME L UNIT SP	MFC-L2750DWXL		
1	D00WXD001	1	FRAME L UNIT SP	MFC-L2751DW		
1-1	LV1288001	1	EJECT SENSOR PCB ASSY			
1-2	D00ALH001	1	FUSER GEAR 64R/36R			
1-3	D00AN7001	1	MAIN MOTOR			
1-4	D00G2C001	1	MAIN MOTOR FLAT CABLE			
1-5	D00ASE001	1	FRONT COVER SENSOR			
1-6	D00F1H001	1	TONER BOX NEW PCB ASSY	DCP-B7520DW		
1-6	D00F1H001	1	TONER BOX NEW PCB ASSY	DCP-B7535DW		
1-6	D00F1H001	1	TONER BOX NEW PCB ASSY	MFC-B7715DW		
1-7	D00KH4001	1	TONER SENSOR PCB ASSY	DCP-B7520DW		
1-7	D00KH4001	1	TONER SENSOR PCB ASSY	DCP-B7535DW		
1-7	D00KH4001	1	TONER SENSOR PCB ASSY	MFC-B7715DW		

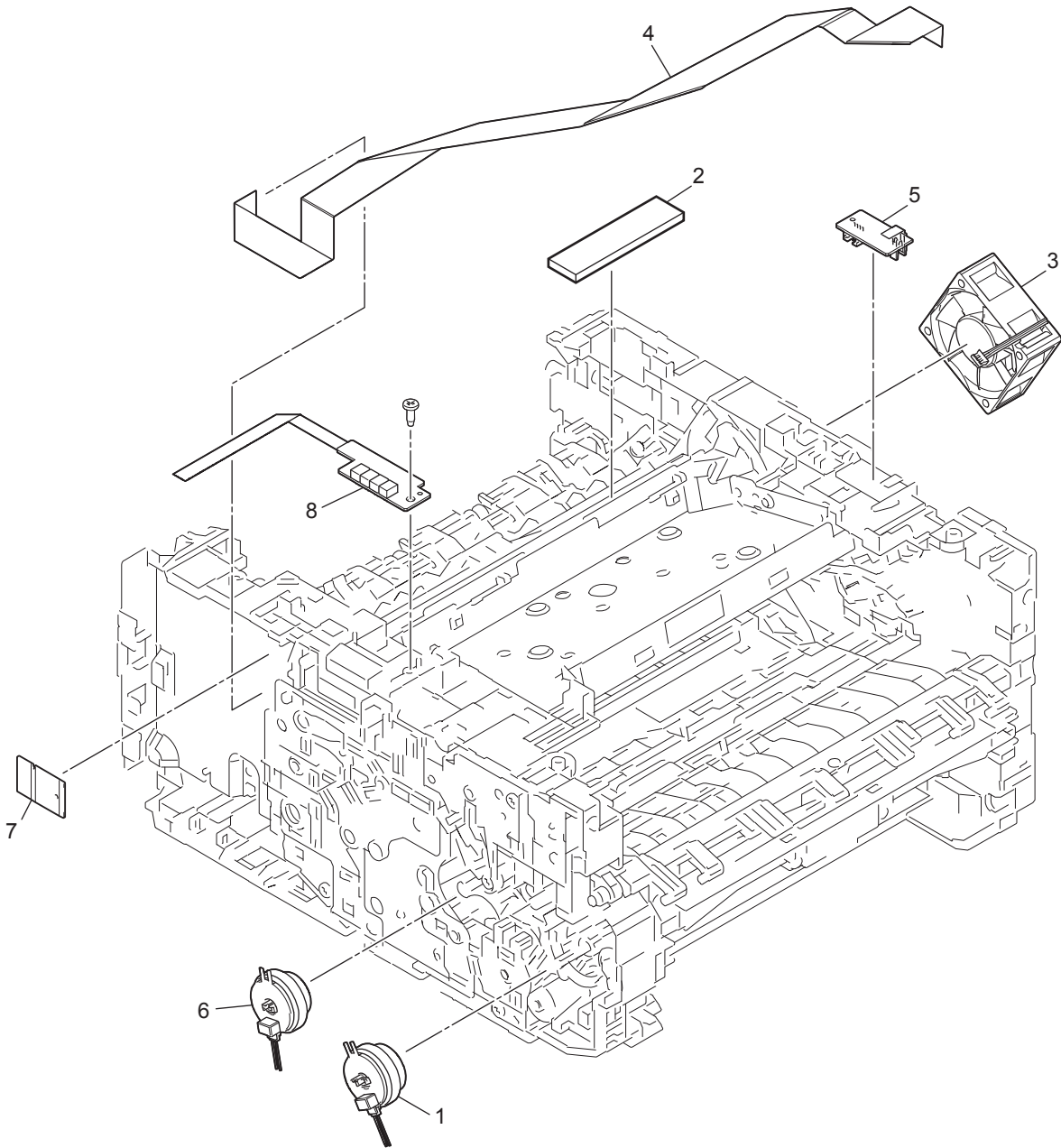
2. PAPER FEEDER



2. PAPER FEEDER

REF NO.	CODE	Q'TY	DESCRIPTION	MODEL	SPEC	REMARKS
1	D00VXM001	1	FEED ROLLER ASSY SP			
2	D00AGU001	1	REGISTRATION FRONT/REAR ACTUATOR HOLDER ASSY			
3	D00HH8001	1	PAPER FEED SENSOR PCB ASSY			

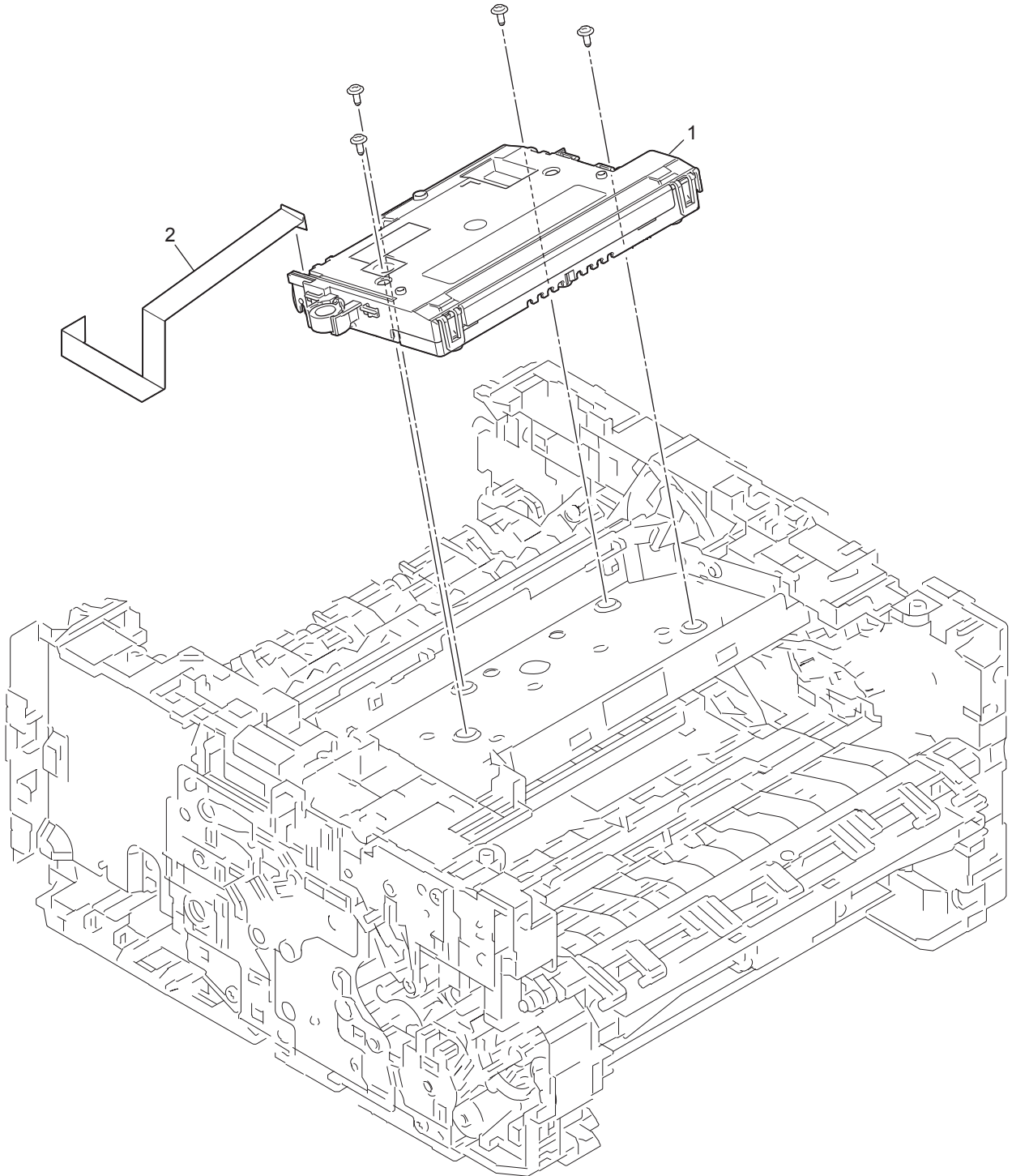
3. FRAME



3. FRAME

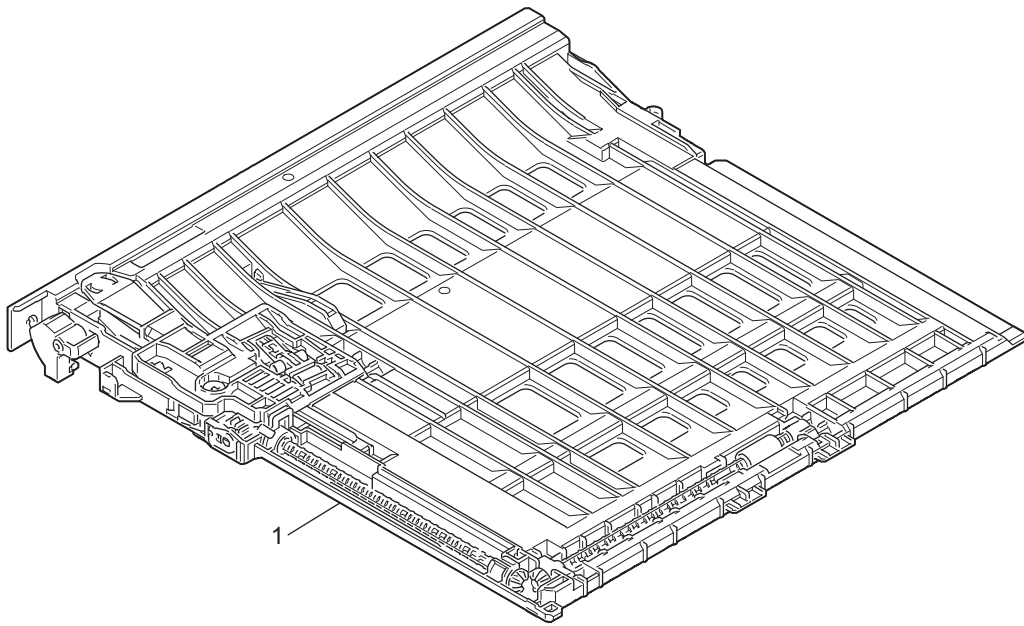
REF NO.	CODE	Q'TY	DESCRIPTION	MODEL	SPEC	REMARKS
1	D00APE001	1	T1 CLUTCH			
2	D00HB6001	1	FILTER			
3	LY9348001	1	FAN			
4	D00ASJ001	1	HVPS FLAT CABLE			
5	D00ASF001	1	NEW TONER SENSOR PCB ASSY			
6	D00APK001	1	REGISTRATION CLUTCH ASSY			
7	LD1969001	1	WIRELESS LAN PCB ASSY	DCP-B7520DW		
7	LD1969001	1	WIRELESS LAN PCB ASSY	DCP-B7535DW		
7	LD1969001	1	WIRELESS LAN PCB ASSY	DCP-L2530DW		
7	LD1969001	1	WIRELESS LAN PCB ASSY	DCP-L2532DW		
7	LD1969001	1	WIRELESS LAN PCB ASSY	DCP-L2535DW		
7	LD1969001	1	WIRELESS LAN PCB ASSY	DCP-L2537DW		
7	LD1969001	1	WIRELESS LAN PCB ASSY	DCP-L2550DW		
7	LD1969001	1	WIRELESS LAN PCB ASSY	HL-L2390DW		
7	LD1969001	1	WIRELESS LAN PCB ASSY	HL-L2395DW		
7	LD1969001	1	WIRELESS LAN PCB ASSY	MFC-B7715DW		
7	LD1969001	1	WIRELESS LAN PCB ASSY	MFC-L2710DW		
7	LD1969001	1	WIRELESS LAN PCB ASSY	MFC-L2712DW		
7	LD1969001	1	WIRELESS LAN PCB ASSY	MFC-L2713DW		
7	LD1969001	1	WIRELESS LAN PCB ASSY	MFC-L2715DW		
7	LD1969001	1	WIRELESS LAN PCB ASSY	MFC-L2716DW		
7	LD1969001	1	WIRELESS LAN PCB ASSY	MFC-L2730DW		
7	LD1969001	1	WIRELESS LAN PCB ASSY	MFC-L2732DW		
7	LD1969001	1	WIRELESS LAN PCB ASSY	MFC-L2750DW		
7	LD1969001	1	WIRELESS LAN PCB ASSY	MFC-L2750DWXL		
7	LD1969001	1	WIRELESS LAN PCB ASSY	MFC-L2751DW		
8	D00ASS001	1	TONER BOX RELAY PCB ASSY	DCP-B7520DW		
8	D00ASS001	1	TONER BOX RELAY PCB ASSY	DCP-B7535DW		
8	D00ASS001	1	TONER BOX RELAY PCB ASSY	MFC-B7715DW		

4. LASER UNIT



4. LASER UNIT

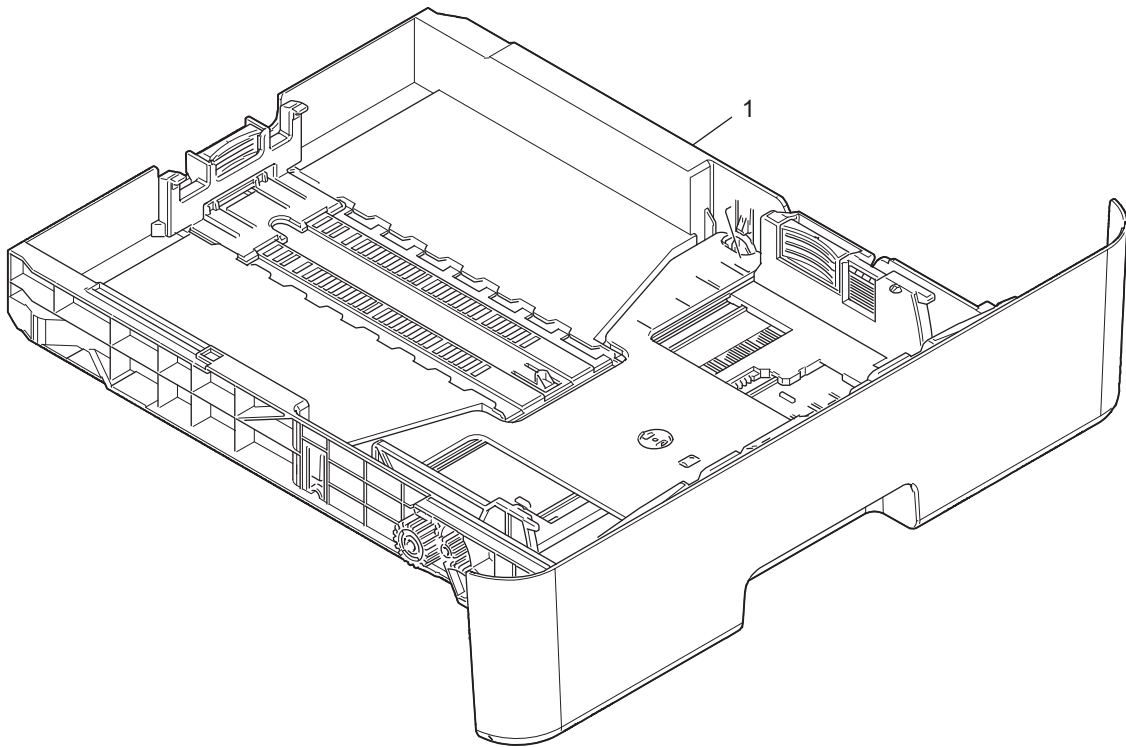
REF NO.	CODE	Q'TY	DESCRIPTION	MODEL	SPEC	REMARKS
1	D008ZW001	1	LASER UNIT (SP)	DCP-B7520DW		
1	D008ZW001	1	LASER UNIT (SP)	DCP-B7535DW		
1	D00KEZ001	1	LASER UNIT (SP)	DCP-L2510D		
1	D00KEZ001	1	LASER UNIT (SP)	DCP-L2512D		
1	D00KEZ001	1	LASER UNIT (SP)	DCP-L2530DW		
1	D00KEZ001	1	LASER UNIT (SP)	DCP-L2532DW		
1	D008ZW001	1	LASER UNIT (SP)	DCP-L2535DW		
1	D00KEZ001	1	LASER UNIT (SP)	DCP-L2537DW		
1	D008ZW001	1	LASER UNIT (SP)	DCP-L2550DN		
1	D008ZW001	1	LASER UNIT (SP)	DCP-L2550DW		
1	D008ZW001	1	LASER UNIT (SP)	DCP-L2551DN		
1	D008ZW001	1	LASER UNIT (SP)	DCP-L2552DN		
1	D00KEZ001	1	LASER UNIT (SP)	HL-L2390DW		
1	D008ZW001	1	LASER UNIT (SP)	HL-L2395DW		
1	D008ZW001	1	LASER UNIT (SP)	MFC-B7715DW		
1	D00KEZ001	1	LASER UNIT (SP)	MFC-L2710DN		
1	D00KEZ001	1	LASER UNIT (SP)	MFC-L2710DW		
1	D00KEZ001	1	LASER UNIT (SP)	MFC-L2712DN		
1	D00KEZ001	1	LASER UNIT (SP)	MFC-L2712DW		
1	D008ZW001	1	LASER UNIT (SP)	MFC-L2713DW		
1	D008ZW001	1	LASER UNIT (SP)	MFC-L2715DW		
1	D008ZW001	1	LASER UNIT (SP)	MFC-L2716DW		
1	D008ZW001	1	LASER UNIT (SP)	MFC-L2730DW		
1	D008ZW001	1	LASER UNIT (SP)	MFC-L2732DW		
1	D008ZW001	1	LASER UNIT (SP)	MFC-L2750DW		
1	D008ZW001	1	LASER UNIT (SP)	MFC-L2750DWXL		
1	D008ZW001	1	LASER UNIT (SP)	MFC-L2751DW		
2	D00916001	1	LASER UNIT FLAT CABLE			



5. DX

REF NO.	CODE	Q'TY	DESCRIPTION	MODEL	SPEC	REMARKS
1	D008U1003	1	DUPLEX TRAY	DCP-B7520DW		
1	D008U1003	1	DUPLEX TRAY	DCP-B7535DW		
1	D008U1001	1	DUPLEX TRAY	DCP-L2510D		
1	D008U1001	1	DUPLEX TRAY	DCP-L2512D		
1	D008U1001	1	DUPLEX TRAY	DCP-L2530DW		
1	D008U1001	1	DUPLEX TRAY	DCP-L2532DW		
1	D008U1001	1	DUPLEX TRAY	DCP-L2535DW		
1	D008U1001	1	DUPLEX TRAY	DCP-L2537DW		
1	D008U1005	1	DUPLEX TRAY	DCP-L2550DN		
1	D008TT001	1	DUPLEX TRAY	DCP-L2550DW	FOR USA/CAN	
1	D008U1001	1	DUPLEX TRAY	DCP-L2550DW	FOR ASA	
1	D008U1005	1	DUPLEX TRAY	DCP-L2551DN		
1	D008U1005	1	DUPLEX TRAY	DCP-L2552DN		
1	D008TT001	1	DUPLEX TRAY	HL-L2390DW		
1	D008U1005	1	DUPLEX TRAY	HL-L2395DW	FOR ARL	
1	D008TT005	1	DUPLEX TRAY	HL-L2395DW	FOR USA/CAN	
1	D008U1003	1	DUPLEX TRAY	MFC-B7715DW		
1	D008U1001	1	DUPLEX TRAY	MFC-L2710DN		
1	D008U1001	1	DUPLEX TRAY	MFC-L2710DW	FOR GER/UK/FRA/ARL/BEL/HOL/ SWI/ITA/ISR/PND/IBE	
1	D008TT001	1	DUPLEX TRAY	MFC-L2710DW	FOR USA/CAN	
1	D008U1001	1	DUPLEX TRAY	MFC-L2712DN		
1	D008U1001	1	DUPLEX TRAY	MFC-L2712DW		
1	D008U1001	1	DUPLEX TRAY	MFC-L2713DW		
1	D008U1001	1	DUPLEX TRAY	MFC-L2715DW		
1	D008U1001	1	DUPLEX TRAY	MFC-L2716DW		
1	D008U1005	1	DUPLEX TRAY	MFC-L2730DW	FOR GER/UK/ARL/SWI/ITA/IBE/ FRA/BEL/HOL/PND	
1	D008TT005	1	DUPLEX TRAY	MFC-L2730DW	FOR CAN	
1	D008U1005	1	DUPLEX TRAY	MFC-L2732DW		
1	D008TT005	1	DUPLEX TRAY	MFC-L2750DW	FOR USA/CAN	
1	D008U1005	1	DUPLEX TRAY	MFC-L2750DW	FOR ASA/GER/UK/ARL/SWI/ITA/ IBE/FRA/BEL/HOL/PND	
1	D008TT005	1	DUPLEX TRAY	MFC-L2750DWXL		
1	D008U1005	1	DUPLEX TRAY	MFC-L2751DW		

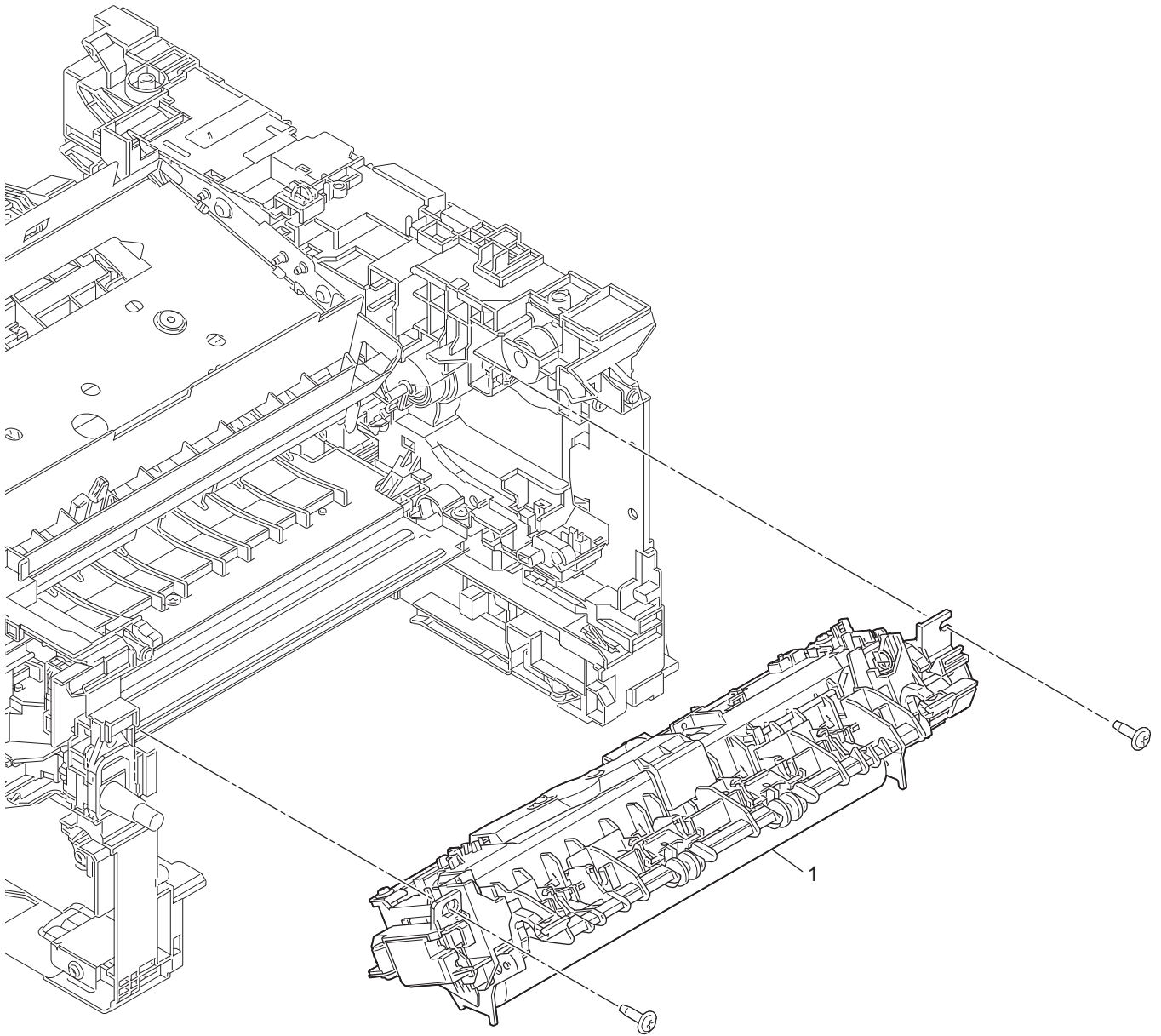
6. PAPER CASSETTE



6. PAPER CASSETTE

REF NO.	CODE	Q'TY	DESCRIPTION	MODEL	SPEC	REMARKS
1	D00HEA003	1	PAPER TRAY	DCP-B7520DW		
1	D00AR5003	1	PAPER TRAY	DCP-B7535DW		
1	D00HEA001	1	PAPER TRAY	DCP-L2510D		
1	D00HEA001	1	PAPER TRAY	DCP-L2512D		
1	D00HEA001	1	PAPER TRAY	DCP-L2530DW		
1	D00HEA001	1	PAPER TRAY	DCP-L2532DW		
1	D00AR5001	1	PAPER TRAY	DCP-L2535DW		
1	D00HEA001	1	PAPER TRAY	DCP-L2537DW		
1	D00HEA005	1	PAPER TRAY	DCP-L2550DN		
1	D00AR5001	1	PAPER TRAY	DCP-L2550DW		
1	D00HEA005	1	PAPER TRAY	DCP-L2551DN		
1	D00HEA005	1	PAPER TRAY	DCP-L2552DN		
1	D00AR5001	1	PAPER TRAY	HL-L2390DW		
1	D00HEA005	1	PAPER TRAY	HL-L2395DW	FOR ARL	
1	D00AR5005	1	PAPER TRAY	HL-L2395DW	FOR USA/CAN	
1	D00HEA003	1	PAPER TRAY	MFC-B7715DW	FOR POL/CEE	
1	D00AR5003	1	PAPER TRAY	MFC-B7715DW	FOR VNM/IDN	
1	D00HEA001	1	PAPER TRAY	MFC-L2710DN		
1	D00AR5001	1	PAPER TRAY	MFC-L2710DW	FOR USA/CAN	
1	D00HEA001	1	PAPER TRAY	MFC-L2710DW	FOR GER/UK/FRA/ARL/BEL/HOL/ SWI/ITA/ISR/PND/IBE	
1	D00HEA001	1	PAPER TRAY	MFC-L2712DN		
1	D00HEA001	1	PAPER TRAY	MFC-L2712DW		
1	D00HEA001	1	PAPER TRAY	MFC-L2713DW		
1	D00HEA001	1	PAPER TRAY	MFC-L2715DW	FOR TWN	
1	D00AR5001	1	PAPER TRAY	MFC-L2715DW	FOR ASA	
1	D00HEA001	1	PAPER TRAY	MFC-L2716DW		
1	D00HEA005	1	PAPER TRAY	MFC-L2730DW	FOR GER/UK/ARL/SWI/ITA/IBE/ FRA/BEL/HOL/PND	
1	D00AR5005	1	PAPER TRAY	MFC-L2730DW	FOR CAN	
1	D00HEA005	1	PAPER TRAY	MFC-L2732DW		
1	D00HEA005	1	PAPER TRAY	MFC-L2750DW	FOR GER/UK/ARL/SWI/ITA/IBE/ FRA/BEL/HOL/PND	
1	D00AR5005	1	PAPER TRAY	MFC-L2750DW	FOR ASA/USA/CAN	
1	D00AR5005	1	PAPER TRAY	MFC-L2750DWXL		
1	D00HEA005	1	PAPER TRAY	MFC-L2751DW		

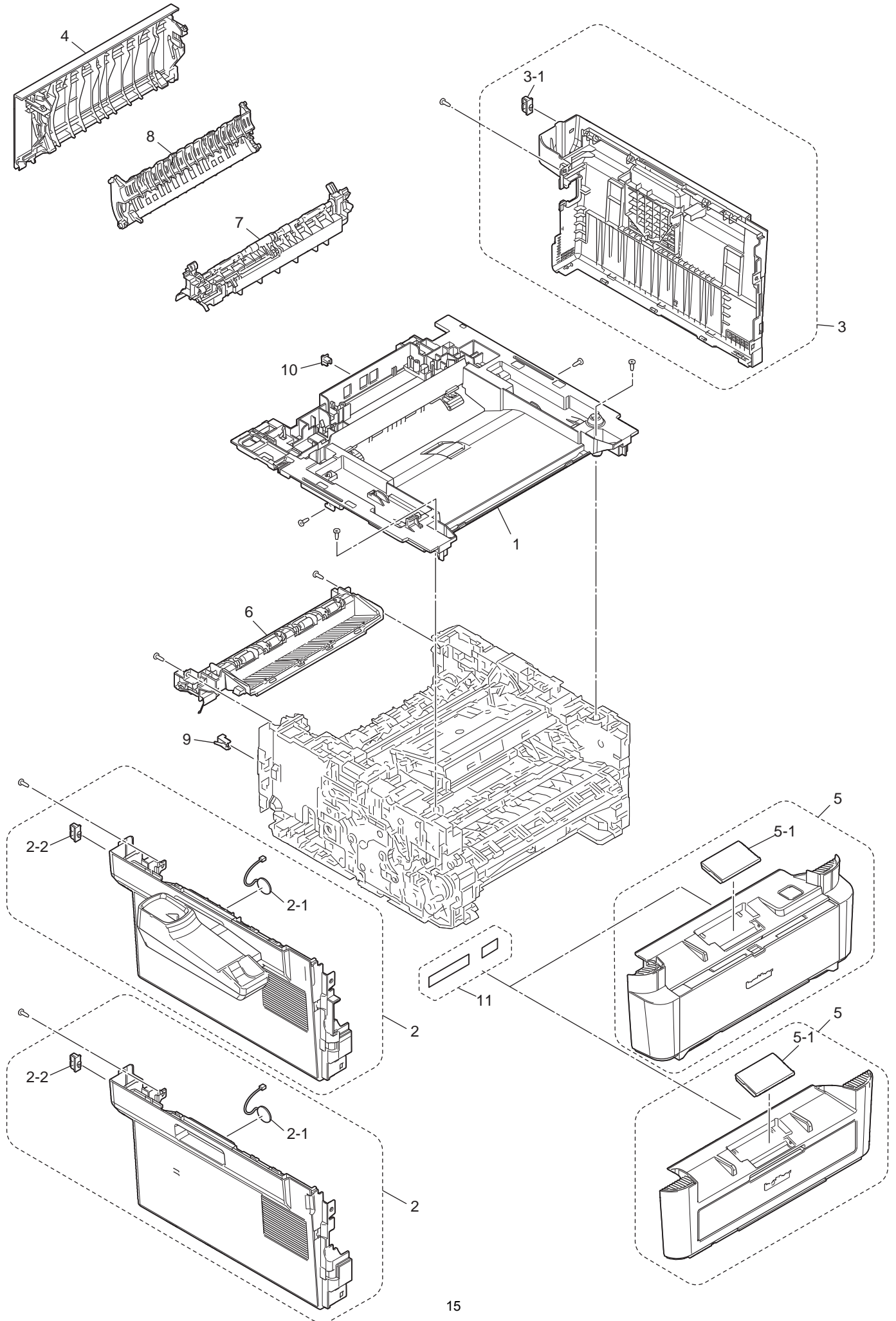
7. FUSER UNIT



7. FUSER UNIT

REF NO.	CODE	Q'TY	DESCRIPTION	MODEL	SPEC	REMARKS
1	D00KV3001	1	FUSER UNIT 230 (SP)		FOR RUS/GER/UK/ITA/FRA/BEL/ HOL/PND/IBE/CEE/SWI/ASA/VNM/ IDN/ARL/ISR/POL/TUR/NZ	
1	D00KUA001	1	FUSER UNIT 115 (SP)		FOR USA/CAN/TWN	

8. COVER



8. COVERS & LABEL

REF No.	CODE	Q'TY	DESCRIPTION	MODEL	SPEC	REMARKS
1	D00X4C001	1	JOINT COVER ASSY	DCP-B7520DW		
1	D00X4C001	1	JOINT COVER ASSY	DCP-B7535DW		
1	D00X4B001	1	JOINT COVER ASSY	DCP-L2510D		
1	D00X4B001	1	JOINT COVER ASSY	DCP-L2512D		
1	D00X4B001	1	JOINT COVER ASSY	DCP-L2530DW		
1	D00X4B001	1	JOINT COVER ASSY	DCP-L2532DW		
1	D00X4B001	1	JOINT COVER ASSY	DCP-L2535DW		
1	D00X4B001	1	JOINT COVER ASSY	DCP-L2537DW		
1	D00X4D001	1	JOINT COVER ASSY	DCP-L2550DN		
1	D00X4B001	1	JOINT COVER ASSY	DCP-L2550DW		
1	D00X4D001	1	JOINT COVER ASSY	DCP-L2551DN		
1	D00X4D001	1	JOINT COVER ASSY	DCP-L2552DN		
1	D00X4B001	1	JOINT COVER ASSY	HL-L2390DW		
1	D00X4D001	1	JOINT COVER ASSY	HL-L2395DW		
1	D00X4G001	1	JOINT COVER ASSY	MFC-B7715DW		
1	D00X4E001	1	JOINT COVER ASSY	MFC-L2710DN		
1	D00X4E001	1	JOINT COVER ASSY	MFC-L2710DW		
1	D00X4E001	1	JOINT COVER ASSY	MFC-L2712DN		
1	D00X4E001	1	JOINT COVER ASSY	MFC-L2712DW		
1	D00X4E001	1	JOINT COVER ASSY	MFC-L2713DW		
1	D00X4E001	1	JOINT COVER ASSY	MFC-L2715DW		
1	D00X4E001	1	JOINT COVER ASSY	MFC-L2716DW		
1	D00X4H001	1	JOINT COVER ASSY	MFC-L2730DW		
1	D00X4H001	1	JOINT COVER ASSY	MFC-L2732DW		
1	D00X4H001	1	JOINT COVER ASSY	MFC-L2750DW		
1	D00X4H001	1	JOINT COVER ASSY	MFC-L2750DWXL		
1	D00X4H001	1	JOINT COVER ASSY	MFC-L2751DW		
2	D00BZ1003	1	SIDE COVER L DCP ASSY	DCP-B7520DW		
2	D00BZ1003	1	SIDE COVER L DCP ASSY	DCP-B7535DW		
2	D00BZ1001	1	SIDE COVER L DCP ASSY	DCP-L2510D		
2	D00BZ1001	1	SIDE COVER L DCP ASSY	DCP-L2512D		
2	D00BZ1001	1	SIDE COVER L DCP ASSY	DCP-L2530DW		
2	D00BZ1001	1	SIDE COVER L DCP ASSY	DCP-L2532DW		
2	D00BZ1001	1	SIDE COVER L DCP ASSY	DCP-L2535DW		
2	D00BZ1001	1	SIDE COVER L DCP ASSY	DCP-L2537DW		
2	D00BZ1005	1	SIDE COVER L DCP ASSY	DCP-L2550DN		
2	D00BZ1001	1	SIDE COVER L DCP ASSY	DCP-L2550DW		
2	D00BZ1005	1	SIDE COVER L DCP ASSY	DCP-L2551DN		
2	D00BZ1005	1	SIDE COVER L DCP ASSY	DCP-L2552DN		
2	D00BZ1001	1	SIDE COVER L DCP ASSY	HL-L2390DW		
2	D00MY0005	1	SIDE COVER L DCP ASSY	HL-L2395DW		
2	D00AS4003	1	SIDE COVER L FB ASSY	MFC-B7715DW		
2	D00AS4001	1	SIDE COVER L FB ASSY	MFC-L2710DN		
2	D00AS4001	1	SIDE COVER L FB ASSY	MFC-L2710DW		
2	D00AS4001	1	SIDE COVER L FB ASSY	MFC-L2712DN		
2	D00AS4001	1	SIDE COVER L FB ASSY	MFC-L2712DW		
2	D00AS4001	1	SIDE COVER L FB ASSY	MFC-L2713DW		
2	D00AS4001	1	SIDE COVER L FB ASSY	MFC-L2715DW		
2	D00AS4001	1	SIDE COVER L FB ASSY	MFC-L2716DW		
2	D00AS4005	1	SIDE COVER L FB ASSY	MFC-L2730DW		
2	D00AS4005	1	SIDE COVER L FB ASSY	MFC-L2732DW		
2	D00AS4005	1	SIDE COVER L FB ASSY	MFC-L2750DW		
2	D00AS4005	1	SIDE COVER L FB ASSY	MFC-L2750DWXL		
2	D00AS4005	1	SIDE COVER L FB ASSY	MFC-L2751DW		
2-1	LT3253001	1	SPEAKER	HL-L2395DW		
2-1	LT3253001	1	SPEAKER	MFC-B7715DW		
2-1	LT3253001	1	SPEAKER	MFC-L2710DN		
2-1	LT3253001	1	SPEAKER	MFC-L2710DW		
2-1	LT3253001	1	SPEAKER	MFC-L2712DN		
2-1	LT3253001	1	SPEAKER	MFC-L2712DW		
2-1	LT3253001	1	SPEAKER	MFC-L2713DW		
2-1	LT3253001	1	SPEAKER	MFC-L2715DW		
2-1	LT3253001	1	SPEAKER	MFC-L2716DW		
2-1	LT3253001	1	SPEAKER	MFC-L2730DW		
2-1	LT3253001	1	SPEAKER	MFC-L2732DW		
2-1	LT3253001	1	SPEAKER	MFC-L2750DW		
2-1	LT3253001	1	SPEAKER	MFC-L2750DWXL		
2-1	LT3253001	1	SPEAKER	MFC-L2751DW		

8. COVERS & LABEL

REF No.	CODE	Q'TY	DESCRIPTION	MODEL	SPEC	REMARKS
2-2	LX9044002	1	CODE HOOK	MFC-B7715DW		
2-2	LX9044001	1	CODE HOOK	MFC-L2710DN		
2-2	LX9044001	1	CODE HOOK	MFC-L2710DW		
2-2	LX9044001	1	CODE HOOK	MFC-L2712DN		
2-2	LX9044001	1	CODE HOOK	MFC-L2712DW		
2-2	LX9044001	1	CODE HOOK	MFC-L2713DW		
2-2	LX9044001	1	CODE HOOK	MFC-L2715DW		
2-2	LX9044001	1	CODE HOOK	MFC-L2716DW		
2-2	LX9044001	1	CODE HOOK	MFC-L2730DW		
2-2	LX9044001	1	CODE HOOK	MFC-L2732DW		
2-2	LX9044001	1	CODE HOOK	MFC-L2750DW		
2-2	LX9044001	1	CODE HOOK	MFC-L2750DWXL		
2-2	LX9044001	1	CODE HOOK	MFC-L2751DW		
3	D00HZR003	1	SIDE COVER R ASSY	DCP-B7520DW		
3	D00HZR003	1	SIDE COVER R ASSY	DCP-B7535DW		
3	D00HZR001	1	SIDE COVER R ASSY	DCP-L2510D		
3	D00HZR001	1	SIDE COVER R ASSY	DCP-L2512D		
3	D00HZR001	1	SIDE COVER R ASSY	DCP-L2530DW		
3	D00HZR001	1	SIDE COVER R ASSY	DCP-L2532DW		
3	D00HZR001	1	SIDE COVER R ASSY	DCP-L2535DW		
3	D00HZR001	1	SIDE COVER R ASSY	DCP-L2537DW		
3	D00HZR005	1	SIDE COVER R ASSY	DCP-L2550DN		
3	D00HZR001	1	SIDE COVER R ASSY	DCP-L2550DW		
3	D00HZR005	1	SIDE COVER R ASSY	DCP-L2551DN		
3	D00HZR005	1	SIDE COVER R ASSY	DCP-L2552DN		
3	D00HZR001	1	SIDE COVER R ASSY	HL-L2390DW		
3	D00HZR005	1	SIDE COVER R ASSY	HL-L2395DW		
3	D00BZ6003	1	SIDE COVER R ASSY	MFC-B7715DW		
3	D00BZ6001	1	SIDE COVER R ASSY	MFC-L2710DN		
3	D00BZ6001	1	SIDE COVER R ASSY	MFC-L2710DW		
3	D00BZ6001	1	SIDE COVER R ASSY	MFC-L2712DN		
3	D00BZ6001	1	SIDE COVER R ASSY	MFC-L2712DW		
3	D00BZ6001	1	SIDE COVER R ASSY	MFC-L2713DW		
3	D00BZ6001	1	SIDE COVER R ASSY	MFC-L2715DW		
3	D00BZ6001	1	SIDE COVER R ASSY	MFC-L2716DW		
3	D00BZ6005	1	SIDE COVER R ASSY	MFC-L2730DW		
3	D00BZ6005	1	SIDE COVER R ASSY	MFC-L2732DW		
3	D00BZ6005	1	SIDE COVER R ASSY	MFC-L2750DW		
3	D00BZ6005	1	SIDE COVER R ASSY	MFC-L2750DWXL		
3	D00BZ6005	1	SIDE COVER R ASSY	MFC-L2751DW		
3-1	LX9044002	1	CODE HOOK	MFC-B7715DW		
3-1	LX9044001	1	CODE HOOK	MFC-L2710DN		
3-1	LX9044001	1	CODE HOOK	MFC-L2710DW		
3-1	LX9044001	1	CODE HOOK	MFC-L2712DN		
3-1	LX9044001	1	CODE HOOK	MFC-L2712DW		
3-1	LX9044001	1	CODE HOOK	MFC-L2713DW		
3-1	LX9044001	1	CODE HOOK	MFC-L2715DW		
3-1	LX9044001	1	CODE HOOK	MFC-L2716DW		
3-1	LX9044001	1	CODE HOOK	MFC-L2730DW		
3-1	LX9044001	1	CODE HOOK	MFC-L2732DW		
3-1	LX9044001	1	CODE HOOK	MFC-L2750DW		
3-1	LX9044001	1	CODE HOOK	MFC-L2750DWXL		
3-1	LX9044001	1	CODE HOOK	MFC-L2751DW		
4	D00AYZ003	1	BACK COVER	DCP-B7520DW		
4	D00AYZ003	1	BACK COVER	DCP-B7535DW		
4	D00AYZ001	1	BACK COVER	DCP-L2510D		
4	D00AYZ001	1	BACK COVER	DCP-L2512D		
4	D00AYZ001	1	BACK COVER	DCP-L2530DW		
4	D00AYZ001	1	BACK COVER	DCP-L2532DW		
4	D00AYZ001	1	BACK COVER	DCP-L2535DW		
4	D00AYZ001	1	BACK COVER	DCP-L2537DW		
4	D00AYZ005	1	BACK COVER	DCP-L2550DN		
4	D00AYZ001	1	BACK COVER	DCP-L2550DW		
4	D00AYZ005	1	BACK COVER	DCP-L2551DN		
4	D00AYZ005	1	BACK COVER	DCP-L2552DN		
4	D00AYZ001	1	BACK COVER	HL-L2390DW		
4	D00AYZ005	1	BACK COVER	HL-L2395DW		
4	D00AYZ003	1	BACK COVER	MFC-B7715DW		

8. COVERS & LABEL

REF No.	CODE	Q'TY	DESCRIPTION	MODEL	SPEC	REMARKS
4	D00AYZ001	1	BACK COVER	MFC-L2710DN		
4	D00AYZ001	1	BACK COVER	MFC-L2710DW		
4	D00AYZ001	1	BACK COVER	MFC-L2712DN		
4	D00AYZ001	1	BACK COVER	MFC-L2712DW		
4	D00AYZ001	1	BACK COVER	MFC-L2713DW		
4	D00AYZ001	1	BACK COVER	MFC-L2715DW		
4	D00AYZ001	1	BACK COVER	MFC-L2716DW		
4	D00AYZ005	1	BACK COVER	MFC-L2730DW		
4	D00AYZ005	1	BACK COVER	MFC-L2732DW		
4	D00AYZ005	1	BACK COVER	MFC-L2750DW		
4	D00AYZ005	1	BACK COVER	MFC-L2750DWXL		
4	D00AYZ005	1	BACK COVER	MFC-L2751DW		
5	D00VK0003	1	FRONT COVER ASSY	DCP-B7520DW		
5	D00MY5003	1	FRONT COVER ASSY	DCP-B7535DW		
5	D00MY5001	1	FRONT COVER ASSY	DCP-L2510D		
5	D00AS8001	1	FRONT COVER ASSY	DCP-L2512D		
5	D00MY5001	1	FRONT COVER ASSY	DCP-L2530DW		
5	D00AS8001	1	FRONT COVER ASSY	DCP-L2532DW		
5	D00S1C001	1	FRONT COVER ASSY	DCP-L2535DW		
5	D00MY5001	1	FRONT COVER ASSY	DCP-L2537DW		
5	D00MY5005	1	FRONT COVER ASSY	DCP-L2550DN		
5	D00S1C001	1	FRONT COVER ASSY	DCP-L2550DW	FOR ASA	
5	D00AS8001	1	FRONT COVER ASSY	DCP-L2550DW	FOR USA/CAN	
5	D00US9005	1	FRONT COVER ASSY	DCP-L2551DN		
5	D00AS8005	1	FRONT COVER ASSY	DCP-L2552DN		
5	D00AS8001	1	FRONT COVER ASSY	HL-L2390DW		
5	D00AS8005	1	FRONT COVER ASSY	HL-L2395DW	FOR USA/CAN	
5	D00MY5005	1	FRONT COVER ASSY	HL-L2395DW	FOR ARL	
5	D00VK0003	1	FRONT COVER ASSY	MFC-B7715DW	FOR POL/CEE	
5	D00MY5003	1	FRONT COVER ASSY	MFC-B7715DW	FOR VNM/IDN	
5	D00MY5001	1	FRONT COVER ASSY	MFC-L2710DN		
5	D00MY5001	1	FRONT COVER ASSY	MFC-L2710DW	FOR GER/UK/FRA/ARL/BEL/HOL/ SWI/ITA/ISR/PND/IBE	
5	D00AS8001	1	FRONT COVER ASSY	MFC-L2710DW	FOR USA/CAN	
5	D00AS8001	1	FRONT COVER ASSY	MFC-L2712DN		
5	D00AS8001	1	FRONT COVER ASSY	MFC-L2712DW		
5	D00MY5001	1	FRONT COVER ASSY	MFC-L2713DW	FOR ARL	
5	D00AS8001	1	FRONT COVER ASSY	MFC-L2713DW	FOR NZ	
5	D00S1C001	1	FRONT COVER ASSY	MFC-L2715DW		
5	D00S1C001	1	FRONT COVER ASSY	MFC-L2716DW		
5	D00MY5005	1	FRONT COVER ASSY	MFC-L2730DW	FOR GER/UK/ARL/SWI/ITA/IBE/ FRA/BEL/HOL/PND	
5	D00AS8005	1	FRONT COVER ASSY	MFC-L2730DW	FOR CAN	
5	D00AS8005	1	FRONT COVER ASSY	MFC-L2732DW		
5	D00S1C005	1	FRONT COVER ASSY	MFC-L2750DW	FOR ASA	
5	D00AS8005	1	FRONT COVER ASSY	MFC-L2750DW	FOR USA/CAN	
5	D00MY5005	1	FRONT COVER ASSY	MFC-L2750DW	FOR GER/UK/ARL/SWI/ITA/IBE/ FRA/BEL/HOL/PND	
5	D00AS8005	1	FRONT COVER ASSY	MFC-L2750DWXL		
5	D00S1C005	1	FRONT COVER ASSY	MFC-L2751DW	TUR	
5	D00US9005	1	FRONT COVER ASSY	MFC-L2751DW	RUS	
5-1	LEM005004	1	PAPER STOPPER	DCP-B7520DW		
5-1	LEM005004	1	PAPER STOPPER	DCP-B7535DW		
5-1	LEM005002	1	PAPER STOPPER	DCP-L2510D		
5-1	LEM005002	1	PAPER STOPPER	DCP-L2512D		
5-1	LEM005002	1	PAPER STOPPER	DCP-L2530DW		
5-1	LEM005002	1	PAPER STOPPER	DCP-L2532DW		
5-1	LEM005002	1	PAPER STOPPER	DCP-L2535DW		
5-1	LEM005002	1	PAPER STOPPER	DCP-L2537DW		
5-1	LEM005003	1	PAPER STOPPER	DCP-L2550DN		
5-1	LEM005002	1	PAPER STOPPER	DCP-L2550DW		
5-1	LEM005003	1	PAPER STOPPER	DCP-L2551DN		
5-1	LEM005003	1	PAPER STOPPER	DCP-L2552DN		
5-1	LEM005002	1	PAPER STOPPER	HL-L2390DW		
5-1	LEM005003	1	PAPER STOPPER	HL-L2395DW		
5-1	LEM005002	1	PAPER STOPPER	MFC-L2710DN		
5-1	LEM005002	1	PAPER STOPPER	MFC-L2710DW		
5-1	LEM005002	1	PAPER STOPPER	MFC-L2712DN		

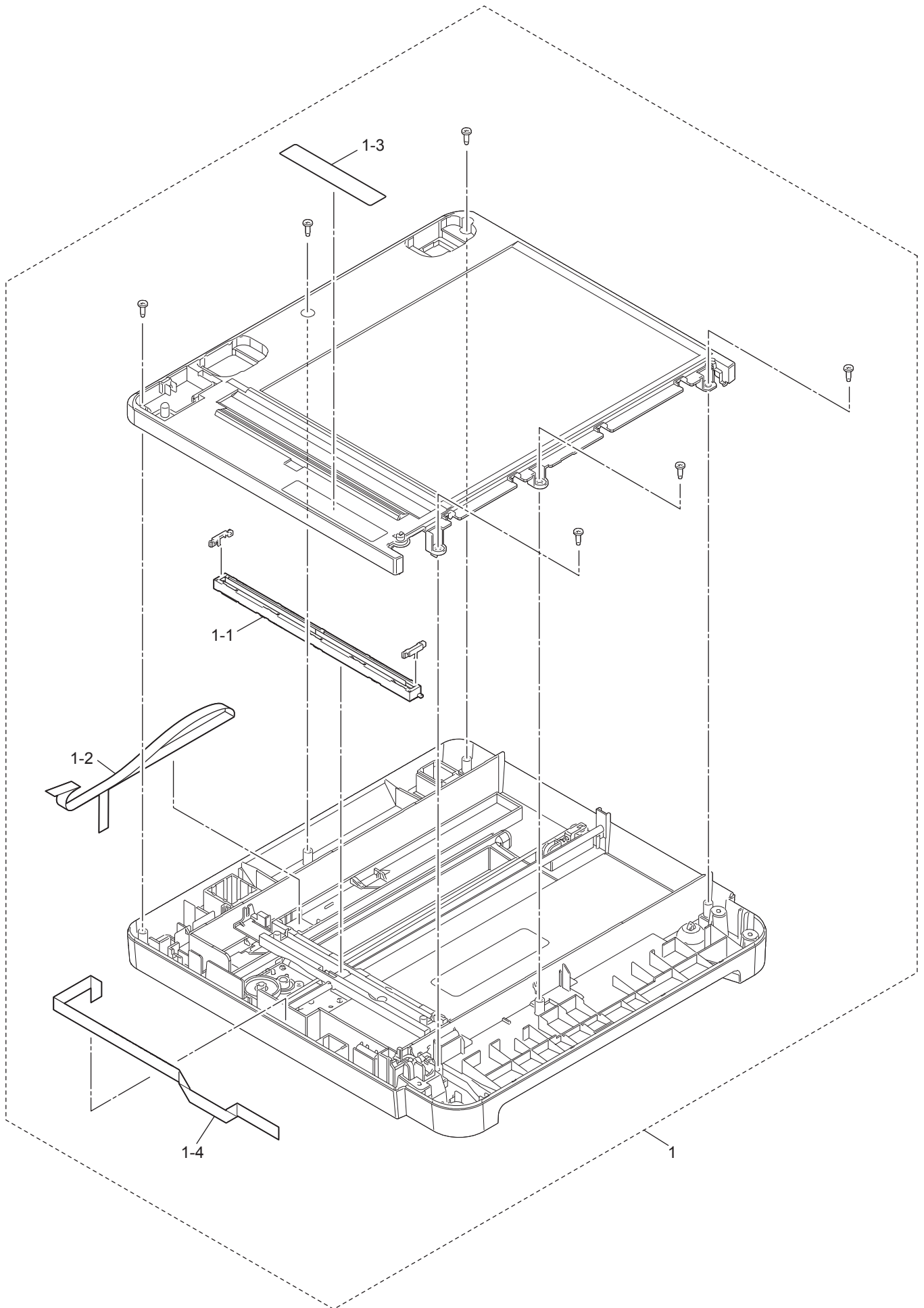
8. COVERS & LABEL

REF No.	CODE	Q'TY	DESCRIPTION	MODEL	SPEC	REMARKS
5-1	LEM005002	1	PAPER STOPPER	MFC-L2712DW		
5-1	LEM005002	1	PAPER STOPPER	MFC-L2713DW		
5-1	LEM005002	1	PAPER STOPPER	MFC-L2715DW		
5-1	LEM005002	1	PAPER STOPPER	MFC-L2716DW		
5-1	LEM005003	1	PAPER STOPPER	MFC-L2730DW		
5-1	LEM005003	1	PAPER STOPPER	MFC-L2732DW		
5-1	LEM005003	1	PAPER STOPPER	MFC-L2750DW		
5-1	LEM005003	1	PAPER STOPPER	MFC-L2750DWXL		
5-1	LEM005003	1	PAPER STOPPER	MFC-L2751DW		
6	LY9130004	1	INNER CHUTE ASSY	DCP-B7520DW		
6	LY9130004	1	INNER CHUTE ASSY	DCP-B7535DW		
6	LY9130002	1	INNER CHUTE ASSY	DCP-L2510D		
6	LY9130002	1	INNER CHUTE ASSY	DCP-L2512D		
6	LY9130002	1	INNER CHUTE ASSY	DCP-L2530DW		
6	LY9130002	1	INNER CHUTE ASSY	DCP-L2535DW		
6	LY9130002	1	INNER CHUTE ASSY	DCP-L2537DW		
6	LY9130001	1	INNER CHUTE ASSY	DCP-L2550DN		
6	LY9130002	1	INNER CHUTE ASSY	DCP-L2550DW		
6	LY9130001	1	INNER CHUTE ASSY	DCP-L2551DN		
6	LY9130001	1	INNER CHUTE ASSY	DCP-L2552DN		
6	LY9130002	1	INNER CHUTE ASSY	HL-L2390DW		
6	LY9130001	1	INNER CHUTE ASSY	HL-L2395DW		
6	LY9130004	1	INNER CHUTE ASSY	MFC-B7715DW		
6	LY9130002	1	INNER CHUTE ASSY	MFC-L2710DN		
6	LY9130002	1	INNER CHUTE ASSY	MFC-L2710DW		
6	LY9130002	1	INNER CHUTE ASSY	MFC-L2712DN		
6	LY9130002	1	INNER CHUTE ASSY	MFC-L2712DW		
6	LY9130002	1	INNER CHUTE ASSY	MFC-L2713DW		
6	LY9130002	1	INNER CHUTE ASSY	MFC-L2715DW		
6	LY9130002	1	INNER CHUTE ASSY	MFC-L2716DW		
6	LY9130001	1	INNER CHUTE ASSY	MFC-L2730DW		
6	LY9130001	1	INNER CHUTE ASSY	MFC-L2732DW		
6	LY9130001	1	INNER CHUTE ASSY	MFC-L2750DW		
6	LY9130001	1	INNER CHUTE ASSY	MFC-L2750DWXL		
6	LY9130001	1	INNER CHUTE ASSY	MFC-L2751DW		
7	D00AL5001	1	FUSER COVER			
8	LY9146001	1	OUTER CHUTE ASSY			
9	D001BD001	1	LAN PORT CAP	DCP-B7520DW		
9	D001BD001	1	LAN PORT CAP	DCP-B7535DW		
9	D001BD001	1	LAN PORT CAP	DCP-L2550DN		
9	D001BD001	1	LAN PORT CAP	DCP-L2550DW		
9	D001BD001	1	LAN PORT CAP	DCP-L2552DN		
9	D001BD001	1	LAN PORT CAP	HL-L2395DW		
9	D001BD001	1	LAN PORT CAP	MFC-B7715DW		
9	D001BD001	1	LAN PORT CAP	MFC-L2710DN		
9	D001BD001	1	LAN PORT CAP	MFC-L2710DW		
9	D001BD001	1	LAN PORT CAP	MFC-L2712DN		
9	D001BD001	1	LAN PORT CAP	MFC-L2712DW		
9	D001BD001	1	LAN PORT CAP	MFC-L2713DW		
9	D001BD001	1	LAN PORT CAP	MFC-L2715DW		
9	D001BD001	1	LAN PORT CAP	MFC-L2716DW		
9	D001BD001	1	LAN PORT CAP	MFC-L2730DW		
9	D001BD001	1	LAN PORT CAP	MFC-L2732DW		
9	D001BD001	1	LAN PORT CAP	MFC-L2750DW		
9	D001BD001	1	LAN PORT CAP	MFC-L2750DWXL		
9	D001BD001	1	LAN PORT CAP	MFC-L2751DW		
10	UF5745000	1	MJ COVER EXT	MFC-L2710DN	FOR GER/FRA	
10	UF5745000	1	MJ COVER EXT	MFC-L2710DW	FOR GER/FRA	
10	UF5745000	1	MJ COVER EXT	MFC-L2730DW	FOR GER	
10	UF5745000	1	MJ COVER EXT	MFC-L2750DW	FOR GER	
10	LE8842001	1	EXT CAP	MFC-B7715DW		
10	LE8842001	1	EXT CAP	MFC-L2710DN	FOR UK/ITA/ISR	
10	LE8842001	1	EXT CAP	MFC-L2710DW	FOR USA/CAN/UK/ARL/BEL/HOL/SWI/I TA/ISR/PND/IBE	
10	LE8842001	1	EXT CAP	MFC-L2712DN		
10	LE8842001	1	EXT CAP	MFC-L2712DW		
10	LE8842001	1	EXT CAP	MFC-L2713DW		

8. COVERS & LABEL

REF No.	CODE	Q'TY	DESCRIPTION	MODEL	SPEC	REMARKS
10	LE8842001	1	EXT CAP	MFC-L2715DW		
10	LE8842001	1	EXT CAP	MFC-L2716DW		
10	LE8842001	1	EXT CAP	MFC-L2730DW		
					FOR	
					CAN/UK/ARL/SWI/ITA/IBE/FRA/B	
					EL/HOL/PND	
10	LE8842001	1	EXT CAP	MFC-L2732DW		
10	LE8842001	1	EXT CAP	MFC-L2750DW		
					FOR	
					ASA/USA/CAN/UK/ARL/SWI/ITA/I	
					BE/FRA/BEL/HOL/PND	
10	LE8842001	1	EXT CAP	MFC-L2750DWXL		
10	LE8842001	1	EXT CAP	MFC-L2751DW		
11	D00LGZ001	1	LABEL CAUTION FRONT 17X35	DCP-B7520DW		
11	D00LGZ001	1	LABEL CAUTION FRONT 17X35	DCP-B7535DW		
11	D00LGZ001	1	LABEL CAUTION FRONT 17X35	DCP-L2510D		
11	D00LGZ001	1	LABEL CAUTION FRONT 17X35	DCP-L2512D		
11	D00LGZ001	1	LABEL CAUTION FRONT 17X35	DCP-L2530DW		
11	D00LGZ001	1	LABEL CAUTION FRONT 17X35	DCP-L2532DW		
11	D00LGZ001	1	LABEL CAUTION FRONT 17X35	DCP-L2535DW		
11	D00LGZ001	1	LABEL CAUTION FRONT 17X35	DCP-L2537DW		
11	D00LGX001	1	LABEL CAUTION FRONT US 17X100	HL-L2390DW		FOR USA
11	D00LGZ001	1	LABEL CAUTION FRONT 17X35	HL-L2390DW		FOR CAN
11	D00LGZ001	1	LABEL CAUTION FRONT 17X35	DCP-L2550DN		
11	D00LGZ001	1	LABEL CAUTION FRONT 17X35	DCP-L2550DW		FOR ASA/CAN
11	D00LGX001	1	LABEL CAUTION FRONT US 17X100	DCP-L2550DW		FOR USA
11	D00LGZ001	1	LABEL CAUTION FRONT 17X35	DCP-L2551DN		
11	D00LGZ001	1	LABEL CAUTION FRONT 17X35	DCP-L2552DN		
11	D00LGX001	1	LABEL CAUTION FRONT US 17X100	HL-L2395DW		FOR USA
11	D00LGZ001	1	LABEL CAUTION FRONT 17X35	HL-L2395DW		FOR CAN/ARL
11	D00LGZ001	1	LABEL CAUTION FRONT 17X35	MFC-B7715DW		
11	D00LGZ001	1	LABEL CAUTION FRONT 17X35	MFC-L2710DN		
11	D00LGZ001	1	LABEL CAUTION FRONT 17X35	MFC-L2710DW		FOR CAN/GER/UK/FRA/ARL/BEL/ HOL/SWI/ITA/ISR/PND/IBE
					FOR USA	
11	D00LGX001	1	LABEL CAUTION FRONT US 17X100	MFC-L2710DW		
11	D00LGZ001	1	LABEL CAUTION FRONT 17X35	MFC-L2712DN		
11	D00LGZ001	1	LABEL CAUTION FRONT 17X35	MFC-L2712DW		
11	D00LGZ001	1	LABEL CAUTION FRONT 17X35	MFC-L2713DW		
11	D00LGZ001	1	LABEL CAUTION FRONT 17X35	MFC-L2715DW		
11	D00LGZ001	1	LABEL CAUTION FRONT 17X35	MFC-L2716DW		
11	D00LGZ001	1	LABEL CAUTION FRONT 17X35	MFC-L2730DW		
11	D00LGZ001	1	LABEL CAUTION FRONT 17X35	MFC-L2732DW		
11	D00LGZ001	1	LABEL CAUTION FRONT 17X35	MFC-L2750DW		FOR ASA/CAN/GER/UK/ARL/SWI/ ITA/IBE/FRA/BEL/HOL/PND
					FOR USA	
11	D00UKC001	1	LABEL CAUTION FRONT SHY 17X100	MFC-L2750DW		
11	D00UKC001	1	LABEL CAUTION FRONT SHY 17X100	MFC-L2750DWXL		
11	D00LGZ001	1	LABEL CAUTION FRONT 17X35	MFC-L2751DW		

9. DOCUMENT SCANNER



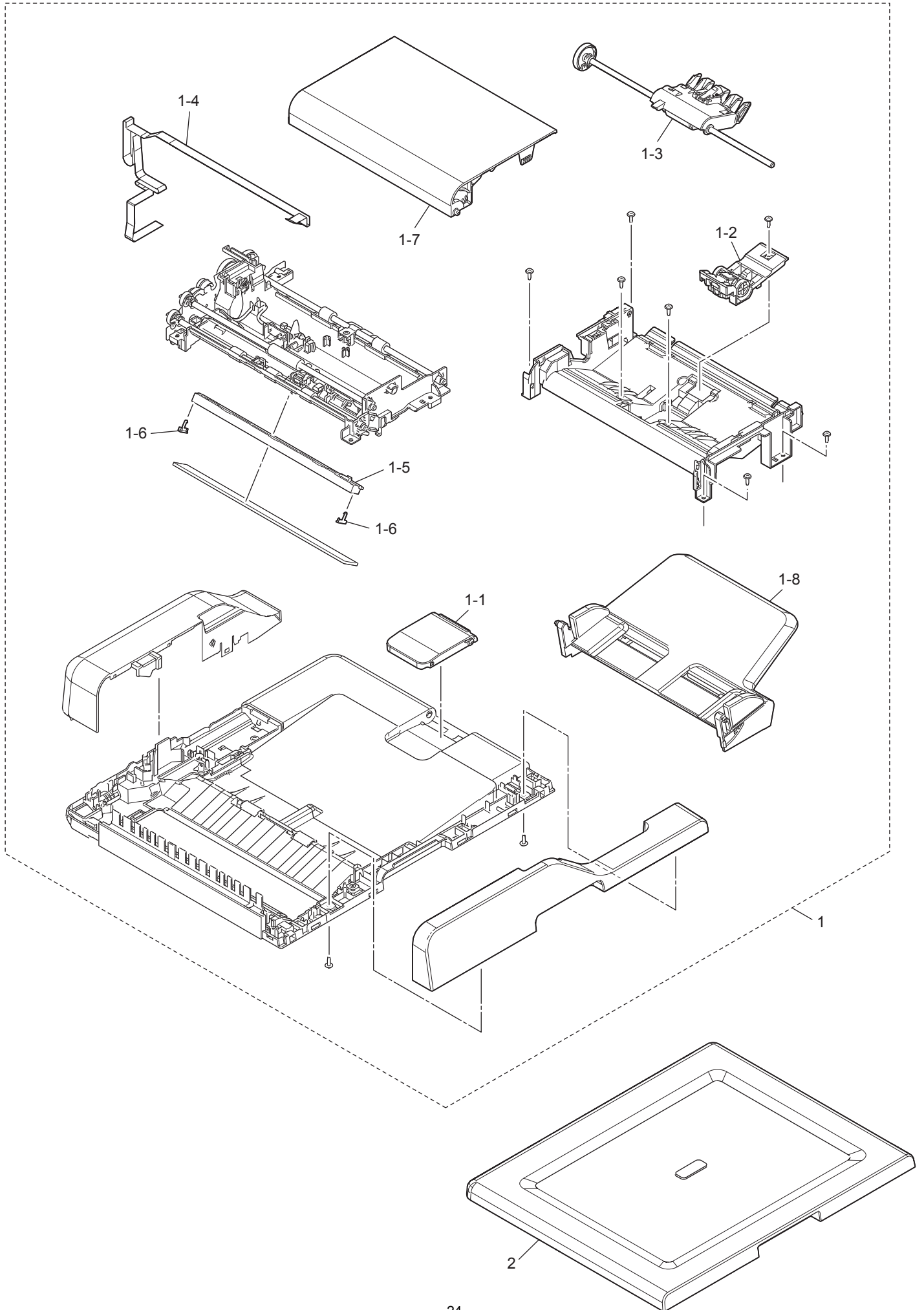
9. DOCUMENT SCANNER

REF No.	CODE	Q'TY	DESCRIPTION	MODEL	SPEC	REMARKS
1	D00X7Y001	1	DOCUMENT SCANNER UNIT	DCP-B7520DW		
1	D00UU2001	1	DOCUMENT SCANNER UNIT	DCP-B7535DW		
1	D00UU2001	1	DOCUMENT SCANNER UNIT	DCP-B7535DW		
1	D00UTG001	1	DOCUMENT SCANNER UNIT	DCP-L2510D		
1	D00UTG001	1	DOCUMENT SCANNER UNIT	DCP-L2530DW		
1	D00UTG001	1	DOCUMENT SCANNER UNIT	DCP-L2532DW		
1	D00UTG001	1	DOCUMENT SCANNER UNIT	DCP-L2535DW		
1	D00UTG001	1	DOCUMENT SCANNER UNIT	DCP-L2537DW		
1	D00X80001	1	DOCUMENT SCANNER UNIT	DCP-L2550DN		
1	D00X81001	1	DOCUMENT SCANNER UNIT	DCP-L2550DW		
1	D00X80001	1	DOCUMENT SCANNER UNIT	DCP-L2551DN		
1	D00X80001	1	DOCUMENT SCANNER UNIT	DCP-L2552DN		
1	D00UTG001	1	DOCUMENT SCANNER UNIT	HL-L2390DW		
1	D00UU3001	1	DOCUMENT SCANNER UNIT	HL-L2395DW		
1	D00UU2001	1	DOCUMENT SCANNER UNIT	MFC-B7715DW		
1	D00X81001	1	DOCUMENT SCANNER UNIT	MFC-L2710DN		
1	D00X81001	1	DOCUMENT SCANNER UNIT	MFC-L2710DW		
1	D00X81001	1	DOCUMENT SCANNER UNIT	MFC-L2712DN		
1	D00X81001	1	DOCUMENT SCANNER UNIT	MFC-L2712DW		
1	D00X81001	1	DOCUMENT SCANNER UNIT	MFC-L2713DW		
1	D00X81001	1	DOCUMENT SCANNER UNIT	MFC-L2715DW		
1	D00X81001	1	DOCUMENT SCANNER UNIT	MFC-L2716DW		
1	D00UU5001	1	DOCUMENT SCANNER UNIT	MFC-L2730DW		
1	D00UU5001	1	DOCUMENT SCANNER UNIT	MFC-L2732DW		
1	D00UU4001	1	DOCUMENT SCANNER UNIT	MFC-L2750DW		
1	D00UU4001	1	DOCUMENT SCANNER UNIT	MFC-L2750DWXL		
1	D00UU4001	1	DOCUMENT SCANNER UNIT	MFC-L2751DW		
1-1	D00G04001	1	FIRST SIDE CIS UNIT			
1-2	D00L0U001	1	FIRST SIDE CIS FLAT CABLE	DCP-B7520DW		
1-2	D00L0U001	1	FIRST SIDE CIS FLAT CABLE	DCP-B7535DW		
1-2	D00G05001	1	FIRST SIDE CIS FLAT CABLE	DCP-L2510D		
1-2	D00G05001	1	FIRST SIDE CIS FLAT CABLE	DCP-L2512D		
1-2	D00G05001	1	FIRST SIDE CIS FLAT CABLE	DCP-L2530DW		
1-2	D00G05001	1	FIRST SIDE CIS FLAT CABLE	DCP-L2532DW		
1-2	D00G05001	1	FIRST SIDE CIS FLAT CABLE	DCP-L2535DW		
1-2	D00G05001	1	FIRST SIDE CIS FLAT CABLE	DCP-L2537DW		
1-2	D00G05001	1	FIRST SIDE CIS FLAT CABLE	DCP-L2550DN		
1-2	D00G05001	1	FIRST SIDE CIS FLAT CABLE	DCP-L2550DW		
1-2	D00G05001	1	FIRST SIDE CIS FLAT CABLE	DCP-L2551DN		
1-2	D00G05001	1	FIRST SIDE CIS FLAT CABLE	DCP-L2552DN		
1-2	D00G05001	1	FIRST SIDE CIS FLAT CABLE	HL-L2390DW		
1-2	D00G05001	1	FIRST SIDE CIS FLAT CABLE	HL-L2395DW		
1-2	D00L0U001	1	FIRST SIDE CIS FLAT CABLE	MFC-B7715DW		
1-2	D00G05001	1	FIRST SIDE CIS FLAT CABLE	MFC-L2710DN		
1-2	D00G05001	1	FIRST SIDE CIS FLAT CABLE	MFC-L2710DW		
1-2	D00G05001	1	FIRST SIDE CIS FLAT CABLE	MFC-L2712DN		
1-2	D00G05001	1	FIRST SIDE CIS FLAT CABLE	MFC-L2712DW		
1-2	D00G05001	1	FIRST SIDE CIS FLAT CABLE	MFC-L2713DW		
1-2	D00G05001	1	FIRST SIDE CIS FLAT CABLE	MFC-L2715DW		
1-2	D00G05001	1	FIRST SIDE CIS FLAT CABLE	MFC-L2716DW		
1-2	D00G05001	1	FIRST SIDE CIS FLAT CABLE	MFC-L2730DW		
1-2	D00G05001	1	FIRST SIDE CIS FLAT CABLE	MFC-L2732DW		
1-2	D00G05001	1	FIRST SIDE CIS FLAT CABLE	MFC-L2750DW		
1-2	D00G05001	1	FIRST SIDE CIS FLAT CABLE	MFC-L2750DWXL		
1-2	D00G05001	1	FIRST SIDE CIS FLAT CABLE	MFC-L2751DW		
1-3	D00ATN001	1	ADF CLEAN UP LABEL	DCP-B7535DW		
1-3	D00ATN001	1	ADF CLEAN UP LABEL	DCP-L2550DN		
1-3	D00ATN001	1	ADF CLEAN UP LABEL	DCP-L2550DW		
1-3	D00ATN001	1	ADF CLEAN UP LABEL	DCP-L2551DN		
1-3	D00ATN001	1	ADF CLEAN UP LABEL	DCP-L2552DN		
1-3	D00ATN001	1	ADF CLEAN UP LABEL	MFC-B7715DW		
1-3	D00ATN001	1	ADF CLEAN UP LABEL	MFC-L2710DN		
1-3	D00ATN001	1	ADF CLEAN UP LABEL	MFC-L2710DW		
1-3	D00ATN001	1	ADF CLEAN UP LABEL	MFC-L2712DN		
1-3	D00ATN001	1	ADF CLEAN UP LABEL	MFC-L2712DW		
1-3	D00ATN001	1	ADF CLEAN UP LABEL	MFC-L2713DW		
1-3	D00ATN001	1	ADF CLEAN UP LABEL	MFC-L2715DW		
1-3	D00ATN001	1	ADF CLEAN UP LABEL	MFC-L2716DW		

9. DOCUMENT SCANNER

REF NO.	CODE	Q'TY	DESCRIPTION	MODEL	SPEC	REMARKS
1-3	D00ATN001	1	ADF CLEAN UP LABEL	MFC-L2730DW		
1-3	D00ATN001	1	ADF CLEAN UP LABEL	MFC-L2732DW		
1-3	D00ATX001	1	ADF CLEAN UP LABEL	MFC-L2750DW		
1-3	D00ATX001	1	ADF CLEAN UP LABEL	MFC-L2750DWXL		
1-3	D00ATX001	1	ADF CLEAN UP LABEL	MFC-L2751DW		
1-4	D009GD001	1	PANEL FLAT CABLE	DCP-B7520DW		
1-4	D009GD001	1	PANEL FLAT CABLE	DCP-B7535DW		
1-4	D009GD001	1	PANEL FLAT CABLE	DCP-L2510D		
1-4	D009GD001	1	PANEL FLAT CABLE	DCP-L2512D		
1-4	D009GD001	1	PANEL FLAT CABLE	DCP-L2530DW		
1-4	D009GD001	1	PANEL FLAT CABLE	DCP-L2532DW		
1-4	D009GD001	1	PANEL FLAT CABLE	DCP-L2535DW		
1-4	D009GD001	1	PANEL FLAT CABLE	DCP-L2537DW		
1-4	D009GD001	1	PANEL FLAT CABLE	DCP-L2550DN		
1-4	D009GD001	1	PANEL FLAT CABLE	DCP-L2550DW		
1-4	D009GD001	1	PANEL FLAT CABLE	DCP-L2551DN		
1-4	D009GD001	1	PANEL FLAT CABLE	DCP-L2552DN		
1-4	D009GD001	1	PANEL FLAT CABLE	HL-L2390DW		
1-4	D009GC001	1	PANEL FLAT CABLE	HL-L2395DW		
1-4	D009GD001	1	PANEL FLAT CABLE	MFC-B7715DW		
1-4	D009GD001	1	PANEL FLAT CABLE	MFC-L2710DN		
1-4	D009GD001	1	PANEL FLAT CABLE	MFC-L2710DW		
1-4	D009GD001	1	PANEL FLAT CABLE	MFC-L2712DN		
1-4	D009GD001	1	PANEL FLAT CABLE	MFC-L2712DW		
1-4	D009GD001	1	PANEL FLAT CABLE	MFC-L2713DW		
1-4	D009GD001	1	PANEL FLAT CABLE	MFC-L2715DW		
1-4	D009GD001	1	PANEL FLAT CABLE	MFC-L2716DW		
1-4	D009GC001	1	PANEL FLAT CABLE	MFC-L2730DW		
1-4	D009GC001	1	PANEL FLAT CABLE	MFC-L2732DW		
1-4	D009GC001	1	PANEL FLAT CABLE	MFC-L2750DW		
1-4	D009GC001	1	PANEL FLAT CABLE	MFC-L2750DWXL		
1-4	D009GC001	1	PANEL FLAT CABLE	MFC-L2751DW		

10. ADF & DOCUMENT COVER



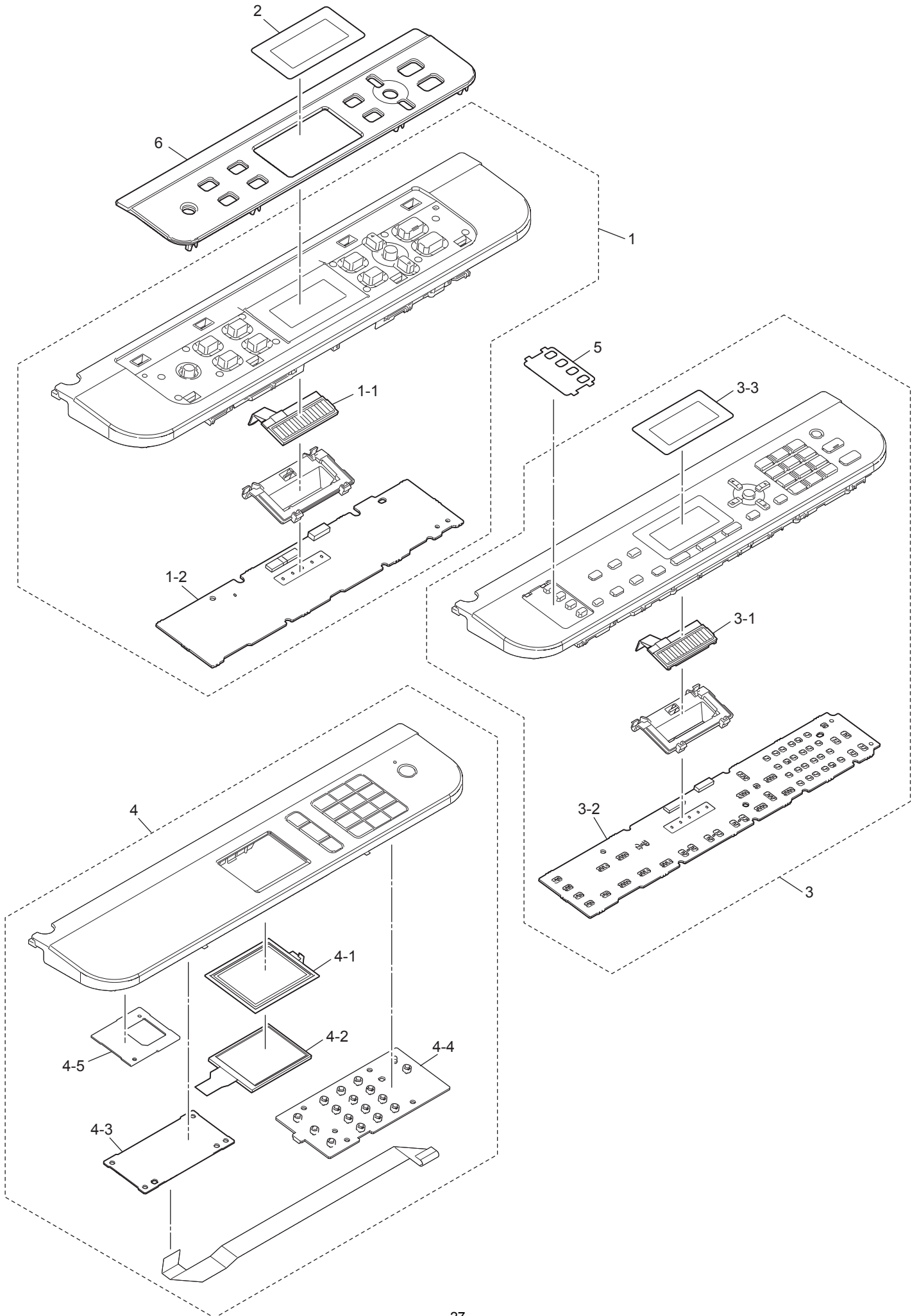
10. ADF & DOCUMENT COVER

REF No.	CODE	Q'TY	DESCRIPTION	MODEL	SPEC	REMARKS
1	D00WY4001	1	ADF UNIT	DCP-B7535DW		
1	D00WY0001	1	ADF UNIT	DCP-L2550DN		
1	D00WY3001	1	ADF UNIT	DCP-L2550DW		
1	D00WY0001	1	ADF UNIT	DCP-L2551DN		
1	D00WY0001	1	ADF UNIT	DCP-L2552DN		
1	D00WY4001	1	ADF UNIT	MFC-B7715DW		
1	D00WY0001	1	ADF UNIT	MFC-L2710DN		
1	D00WY0001	1	ADF UNIT	MFC-L2710DW		
1	D00WY0001	1	ADF UNIT	MFC-L2712DN		
1	D00WY0001	1	ADF UNIT	MFC-L2712DW		
1	D00WY0001	1	ADF UNIT	MFC-L2713DW		
1	D00WY0001	1	ADF UNIT	MFC-L2715DW		
1	D00WY0001	1	ADF UNIT	MFC-L2716DW		
1	D00WY0001	1	ADF UNIT	MFC-L2730DW		
1	D00WY0001	1	ADF UNIT	MFC-L2732DW		
1	D00WY5001	1	ADF UNIT	MFC-L2750DW		
1	D00WY5001	1	ADF UNIT	MFC-L2750DWXL		
1	D00WY5001	1	ADF UNIT	MFC-L2751DW		
1-1	D008VF002	1	DOCUMENT STOPPER ASSY	DCP-B7535DW		
1-1	D008VF001	1	DOCUMENT STOPPER ASSY	DCP-L2550DN		
1-1	D008VF001	1	DOCUMENT STOPPER ASSY	DCP-L2550DW		
1-1	D008VF001	1	DOCUMENT STOPPER ASSY	DCP-L2551DN		
1-1	D008VF001	1	DOCUMENT STOPPER ASSY	DCP-L2552DN		
1-1	D008VF002	1	DOCUMENT STOPPER ASSY	MFC-B7715DW		
1-1	D008VF001	1	DOCUMENT STOPPER ASSY	MFC-L2710DN		
1-1	D008VF001	1	DOCUMENT STOPPER ASSY	MFC-L2710DW		
1-1	D008VF001	1	DOCUMENT STOPPER ASSY	MFC-L2712DN		
1-1	D008VF001	1	DOCUMENT STOPPER ASSY	MFC-L2712DW		
1-1	D008VF001	1	DOCUMENT STOPPER ASSY	MFC-L2713DW		
1-1	D008VF001	1	DOCUMENT STOPPER ASSY	MFC-L2715DW		
1-1	D008VF001	1	DOCUMENT STOPPER ASSY	MFC-L2716DW		
1-1	D008VF001	1	DOCUMENT STOPPER ASSY	MFC-L2730DW		
1-1	D008VF001	1	DOCUMENT STOPPER ASSY	MFC-L2732DW		
1-1	D008VF001	1	DOCUMENT STOPPER ASSY	MFC-L2750DW		
1-1	D008VF001	1	DOCUMENT STOPPER ASSY	MFC-L2750DWXL		
1-1	D008VF001	1	DOCUMENT STOPPER ASSY	MFC-L2751DW		
1-2	D008V0001	1	SEPARATE HOLDER ASSY	DCP-B7535DW		
1-2	D008V0001	1	SEPARATE HOLDER ASSY	DCP-L2550DN		
1-2	D008V0001	1	SEPARATE HOLDER ASSY	DCP-L2550DW		
1-2	D008V0001	1	SEPARATE HOLDER ASSY	DCP-L2551DN		
1-2	D008V0001	1	SEPARATE HOLDER ASSY	DCP-L2552DN		
1-2	D008V0001	1	SEPARATE HOLDER ASSY	MFC-B7715DW		
1-2	D008V0001	1	SEPARATE HOLDER ASSY	MFC-L2710DN		
1-2	D008V0001	1	SEPARATE HOLDER ASSY	MFC-L2710DW		
1-2	D008V0001	1	SEPARATE HOLDER ASSY	MFC-L2712DN		
1-2	D008V0001	1	SEPARATE HOLDER ASSY	MFC-L2712DW		
1-2	D008V0001	1	SEPARATE HOLDER ASSY	MFC-L2713DW		
1-2	D008V0001	1	SEPARATE HOLDER ASSY	MFC-L2715DW		
1-2	D008V0001	1	SEPARATE HOLDER ASSY	MFC-L2716DW		
1-2	D008V0001	1	SEPARATE HOLDER ASSY	MFC-L2730DW		
1-2	D008V0001	1	SEPARATE HOLDER ASSY	MFC-L2732DW		
1-2	D008V0001	1	SEPARATE HOLDER ASSY	MFC-L2750DW		
1-2	D008V0001	1	SEPARATE HOLDER ASSY	MFC-L2750DWXL		
1-2	D008V0001	1	SEPARATE HOLDER ASSY	MFC-L2751DW		
1-3	D008UZ001	1	SEPARATE ROLLER ASSY	DCP-B7535DW		
1-3	D008UZ001	1	SEPARATE ROLLER ASSY	DCP-L2550DN		
1-3	D008UZ001	1	SEPARATE ROLLER ASSY	DCP-L2550DW		
1-3	D008UZ001	1	SEPARATE ROLLER ASSY	DCP-L2551DN		
1-3	D008UZ001	1	SEPARATE ROLLER ASSY	DCP-L2552DN		
1-3	D008UZ001	1	SEPARATE ROLLER ASSY	MFC-B7715DW		
1-3	D008UZ001	1	SEPARATE ROLLER ASSY	MFC-L2710DN		
1-3	D008UZ001	1	SEPARATE ROLLER ASSY	MFC-L2710DW		
1-3	D008UZ001	1	SEPARATE ROLLER ASSY	MFC-L2712DN		
1-3	D008UZ001	1	SEPARATE ROLLER ASSY	MFC-L2712DW		
1-3	D008UZ001	1	SEPARATE ROLLER ASSY	MFC-L2713DW		
1-3	D008UZ001	1	SEPARATE ROLLER ASSY	MFC-L2715DW		
1-3	D008UZ001	1	SEPARATE ROLLER ASSY	MFC-L2716DW		
1-3	D008UZ001	1	SEPARATE ROLLER ASSY	MFC-L2730DW		

10. ADF & DOCUMENT COVER

REF NO.	CODE	Q'TY	DESCRIPTION	MODEL	SPEC	REMARKS
1-3	D008UZ001	1	SEPARATE ROLLER ASSY	MFC-L2732DW		
1-3	D008UZ001	1	SEPARATE ROLLER ASSY	MFC-L2750DW		
1-3	D008UZ001	1	SEPARATE ROLLER ASSY	MFC-L2750DWXL		
1-3	D008UZ001	1	SEPARATE ROLLER ASSY	MFC-L2751DW		
1-4	D00G06001	1	SECOND SIDE CIS FLAT CABLE	MFC-L2750DW		
1-4	D00G06001	1	SECOND SIDE CIS FLAT CABLE	MFC-L2750DWXL		
1-4	D00G06001	1	SECOND SIDE CIS FLAT CABLE	MFC-L2751DW		
1-5	D00G04001	1	SECOND SIDE CIS UNIT	MFC-L2750DW		
1-5	D00G04001	1	SECOND SIDE CIS UNIT	MFC-L2750DWXL		
1-5	D00G04001	1	SECOND SIDE CIS UNIT	MFC-L2751DW		
1-6	D008W0001	2	CIS SPACER	MFC-L2750DW		
1-6	D008W0001	2	CIS SPACER	MFC-L2750DWXL		
1-6	D008W0001	2	CIS SPACER	MFC-L2751DW		
1-7	D008V3002	1	ADF COVER ASSY	DCP-B7535DW		
1-7	D008V3001	1	ADF COVER ASSY	DCP-L2550DN		
1-7	D008V3001	1	ADF COVER ASSY	DCP-L2550DW		
1-7	D008V3001	1	ADF COVER ASSY	DCP-L2551DN		
1-7	D008V3001	1	ADF COVER ASSY	DCP-L2552DN		
1-7	D008V3002	1	ADF COVER ASSY	MFC-B7715DW		
1-7	D008V3001	1	ADF COVER ASSY	MFC-L2710DN		
1-7	D008V3001	1	ADF COVER ASSY	MFC-L2710DW		
1-7	D008V3001	1	ADF COVER ASSY	MFC-L2712DN		
1-7	D008V3001	1	ADF COVER ASSY	MFC-L2712DW		
1-7	D008V3001	1	ADF COVER ASSY	MFC-L2713DW		
1-7	D008V3001	1	ADF COVER ASSY	MFC-L2715DW		
1-7	D008V3001	1	ADF COVER ASSY	MFC-L2716DW		
1-7	D008V3001	1	ADF COVER ASSY	MFC-L2730DW		
1-7	D008V3001	1	ADF COVER ASSY	MFC-L2732DW		
1-7	D008V3001	1	ADF COVER ASSY	MFC-L2750DW		
1-7	D008V3001	1	ADF COVER ASSY	MFC-L2750DWXL		
1-7	D008V3001	1	ADF COVER ASSY	MFC-L2751DW		
1-8	D008V9002	1	DOCUMENT SUB TRAY ASSY	DCP-B7535DW		
1-8	D008V9001	1	DOCUMENT SUB TRAY ASSY	DCP-L2550DN		
1-8	D008V9003	1	DOCUMENT SUB TRAY ASSY	DCP-L2550DW		
1-8	D008V9001	1	DOCUMENT SUB TRAY ASSY	DCP-L2551DN		
1-8	D008V9001	1	DOCUMENT SUB TRAY ASSY	DCP-L2552DN		
1-8	D008V9002	1	DOCUMENT SUB TRAY ASSY	MFC-B7715DW		
1-8	D008V9001	1	DOCUMENT SUB TRAY ASSY	MFC-L2710DN		
1-8	D008V9001	1	DOCUMENT SUB TRAY ASSY	MFC-L2710DW		
1-8	D008V9001	1	DOCUMENT SUB TRAY ASSY	MFC-L2712DN		
1-8	D008V9001	1	DOCUMENT SUB TRAY ASSY	MFC-L2712DW		
1-8	D008V9001	1	DOCUMENT SUB TRAY ASSY	MFC-L2713DW		
1-8	D008V9001	1	DOCUMENT SUB TRAY ASSY	MFC-L2715DW		
1-8	D008V9001	1	DOCUMENT SUB TRAY ASSY	MFC-L2716DW		
1-8	D008V9001	1	DOCUMENT SUB TRAY ASSY	MFC-L2730DW		
1-8	D008V9001	1	DOCUMENT SUB TRAY ASSY	MFC-L2732DW		
1-8	D008V9001	1	DOCUMENT SUB TRAY ASSY	MFC-L2750DW		
1-8	D008V9001	1	DOCUMENT SUB TRAY ASSY	MFC-L2750DWXL		
1-8	D008V9001	1	DOCUMENT SUB TRAY ASSY	MFC-L2751DW		
2	D00X8B001	1	DOCUMENT COVER ASSY	DCP-L2510D		
2	D00X8B001	1	DOCUMENT COVER ASSY	DCP-L2512D		
2	D00X8B001	1	DOCUMENT COVER ASSY	DCP-L2530DW		
2	D00X8B001	1	DOCUMENT COVER ASSY	DCP-L2532DW		
2	D00X8B001	1	DOCUMENT COVER ASSY	DCP-L2535DW		
2	D00X8B001	1	DOCUMENT COVER ASSY	DCP-L2537DW		
2	D00UUD001	1	DOCUMENT COVER ASSY	HL-L2390DW		
2	D00UUE001	1	DOCUMENT COVER ASSY	HL-L2395DW		
2	D00X8D001	1	DOCUMENT COVER ASSY	DCP-B7520DW		

11. PANEL



11. PANEL

REF No.	CODE	Q'TY	DESCRIPTION	MODEL	SPEC	REMARKS
1	D00HAX002	1	PANEL UNIT	DCP-B7520DW		
1	D00MSF002	1	PANEL UNIT	DCP-B7535DW		
1	D00R10001	1	PANEL UNIT	DCP-L2510D		
1	D00R10001	1	PANEL UNIT	DCP-L2512D		
1	D00HAX001	1	PANEL UNIT	DCP-L2530DW		
1	D00HAX001	1	PANEL UNIT	DCP-L2532DW		
1	D00HAX001	1	PANEL UNIT	DCP-L2535DW		
1	D00HAX001	1	PANEL UNIT	DCP-L2537DW		
1	D00MSJ001	1	PANEL UNIT	DCP-L2550DN		
1	D00MSF001	1	PANEL UNIT	DCP-L2550DW		
1	D00MSJ001	1	PANEL UNIT	DCP-L2551DN		
1	D00MSJ001	1	PANEL UNIT	DCP-L2552DN		
1	D00HAX001	1	PANEL UNIT	HL-L2390DW		
1-1	D00E11001	1	LCD	DCP-B7520DW		
1-1	D00E11001	1	LCD	DCP-B7535DW		
1-1	D00E11001	1	LCD	DCP-L2510D		
1-1	D00E11001	1	LCD	DCP-L2512D		
1-1	D00E11001	1	LCD	DCP-L2530DW		
1-1	D00E11001	1	LCD	DCP-L2532DW		
1-1	D00E11001	1	LCD	DCP-L2535DW		
1-1	D00E11001	1	LCD	DCP-L2537DW		
1-1	D00E11001	1	LCD	DCP-L2550DN		
1-1	D00E11001	1	LCD	DCP-L2550DW		
1-1	D00E11001	1	LCD	DCP-L2551DN		
1-1	D00E11001	1	LCD	DCP-L2552DN		
1-1	D00E11001	1	LCD	HL-L2390DW		
1-1	D00E11001	1	LCD	MFC-B7715DW		
1-1	D00E11001	1	LCD	MFC-L2710DN		
1-1	D00E11001	1	LCD	MFC-L2710DW		
1-1	D00E11001	1	LCD	MFC-L2712DN		
1-1	D00E11001	1	LCD	MFC-L2712DW		
1-1	D00E11001	1	LCD	MFC-L2713DW		
1-1	D00E11001	1	LCD	MFC-L2715DW	FOR ASA	
1-1	D00E11001	1	LCD	MFC-L2716DW		
1-2	D00HAV001	1	PANEL PCB ASSY	DCP-B7520DW		
1-2	D00HAV001	1	PANEL PCB ASSY	DCP-B7535DW		
1-2	D00HAV001	1	PANEL PCB ASSY	DCP-L2510D		
1-2	D00HAV001	1	PANEL PCB ASSY	DCP-L2512D		
1-2	D00HAV001	1	PANEL PCB ASSY	DCP-L2530DW		
1-2	D00HAV001	1	PANEL PCB ASSY	DCP-L2532DW		
1-2	D00HAV001	1	PANEL PCB ASSY	DCP-L2535DW		
1-2	D00HAV001	1	PANEL PCB ASSY	DCP-L2537DW		
1-2	D00HAV001	1	PANEL PCB ASSY	DCP-L2550DN		
1-2	D00HAV001	1	PANEL PCB ASSY	DCP-L2550DW		
1-2	D00HAV001	1	PANEL PCB ASSY	DCP-L2551DN		
1-2	D00HAV001	1	PANEL PCB ASSY	DCP-L2552DN		
1-2	D00HAV001	1	PANEL PCB ASSY	HL-L2390DW		
2	D00MSA001	1	LCD SHEET	DCP-B7520DW		
2	D00MT6001	1	LCD SHEET	DCP-B7535DW		
2	D00R11001	1	LCD SHEET	DCP-L2510D		
2	D00TV6001	1	LCD SHEET	DCP-L2512D		
2	D00HAY001	1	LCD SHEET	DCP-L2530DW		
2	D00U2Y001	1	LCD SHEET	DCP-L2532DW		
2	D00S1H001	1	LCD SHEET	DCP-L2535DW		
2	D00R98001	1	LCD SHEET	DCP-L2537DW		
2	D00MD3001	1	LCD SHEET	DCP-L2550DN		
2	D00MF0001	1	LCD SHEET	DCP-L2550DW		
2	D00USW001	1	LCD SHEET	DCP-L2551DN		
2	D00U4A001	1	LCD SHEET	DCP-L2552DN		
2	D00MPT001	1	LCD SHEET	HL-L2390DW		
3	D00VP9001	1	PANEL UNIT 7715DW ENG	MFC-B7715DW	FOR CEE	
3	D00J4Y001	1	PANEL UNIT 7715DW ASA	MFC-B7715DW	FOR VNM/IDN	
3	D00VPS001	1	PANEL UNIT 7715DW POL	MFC-B7715DW	FOR POL	
3	D00R5U001	1	PANEL UNIT 2710DN GER	MFC-L2710DN	FOR GER	
3	D00R19001	1	PANEL UNIT 2710DN ENG	MFC-L2710DN	FOR UK/ISR	
3	D00R67001	1	PANEL UNIT 2710DN FRA	MFC-L2710DN	FOR FRA	
3	D00R6M001	1	PANEL UNIT 2710DN ITA	MFC-L2710DN	FOR ITA	
3	D00PXW001	1	PANEL UNIT 2710DW IBERIA	MFC-L2710DW	FOR IBE	

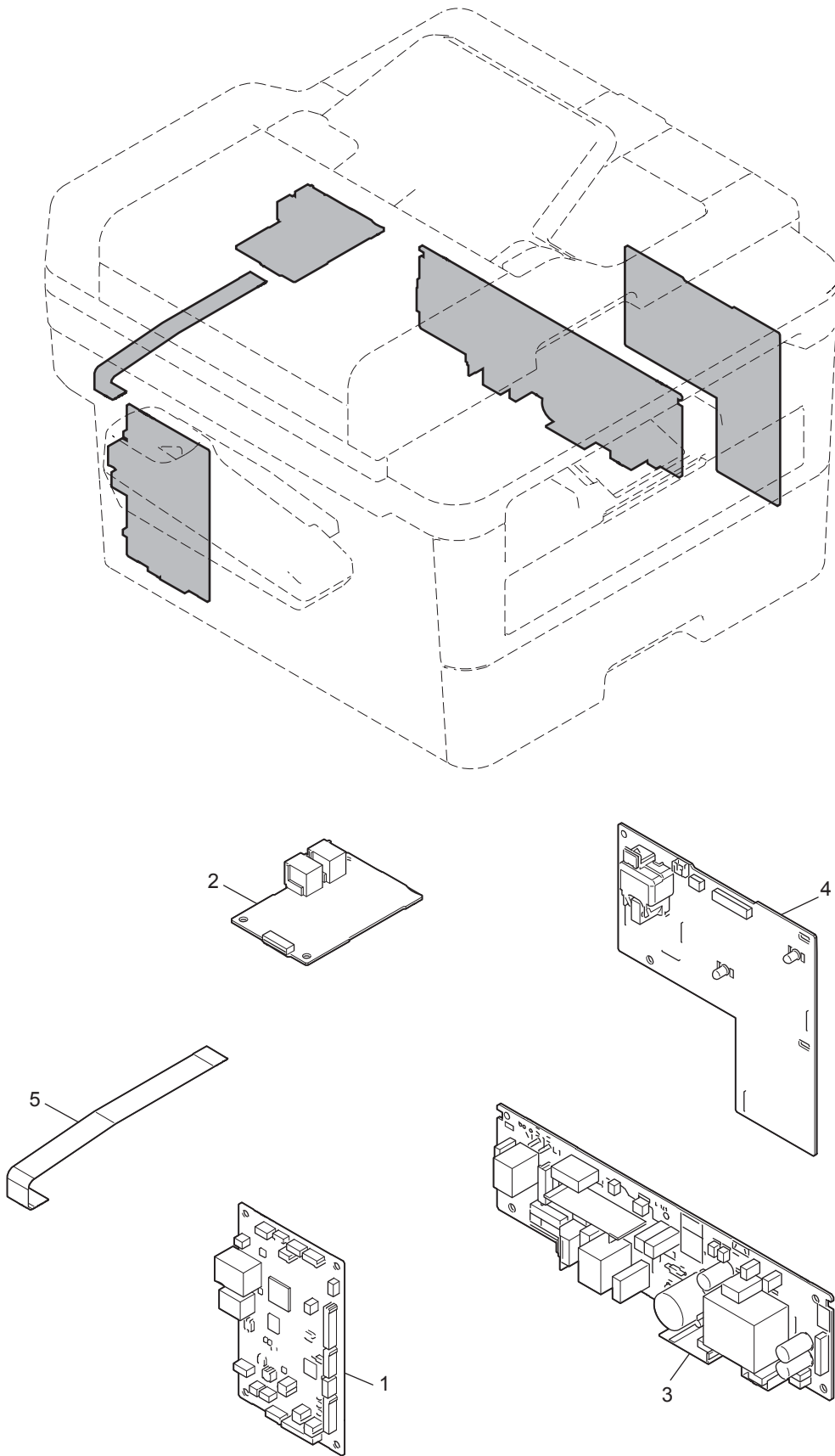
11. PANEL

REF NO.	CODE	Q'TY	DESCRIPTION	MODEL	SPEC	REMARKS
3	D00HBA001	1	PANEL UNIT 2710DW US	MFC-L2710DW	FOR USA/CAN/ARL	
3	D00PUJ001	1	PANEL UNIT 2710DW GER	MFC-L2710DW	FOR GER	
3	D00HB8001	1	PANEL UNIT 2710DW ENG	MFC-L2710DW	FOR UK/BEL/SWI/ISR	
3	D00PXJ001	1	PANEL UNIT 2710DW FRA	MFC-L2710DW	FOR FRA	
3	D00RJP001	1	PANEL UNIT 2710DW DUT	MFC-L2710DW	FOR HOL	
3	D00PXP001	1	PANEL UNIT 2710DW ITA	MFC-L2710DW	FOR ITA	
3	D00RLF001	1	PANEL UNIT 2710DW NOR-ENG	MFC-L2710DW	FOR PND	
3	D00U37001	1	PANEL UNIT 2712DN POL	MFC-L2712DN	FOR POL	
3	D00U41001	1	PANEL UNIT 2712DN ENG	MFC-L2712DN	FOR CEE	
3	D00U48001	1	PANEL UNIT 2712DW POL	MFC-L2712DW	FOR POL	
3	D00U4J001	1	PANEL UNIT 2712DW ENG	MFC-L2712DW	FOR CEE	
3	D00MW8001	1	PANEL UNIT 2713DW NZ	MFC-L2713DW		
3	D00MV9001	1	PANEL UNIT 2715DW TWN	MFC-L2715DW	FOR TWN	
3	D00SAT001	1	PANEL UNIT 2715DW ASA	MFC-L2715DW	FOR ASA	
3	D00U60001	1	PANEL UNIT 2716DW TUR	MFC-L2716DW		
3-1	D00CV4001	1	LCD	MFC-L2715DW	FOR TWN	
3-2	D009H6001	1	PANEL PCB ASSY	MFC-B7715DW		
3-2	D009H6001	1	PANEL PCB ASSY	MFC-L2710DN		
3-2	D009H6001	1	PANEL PCB ASSY	MFC-L2710DW		
3-2	D009H6001	1	PANEL PCB ASSY	MFC-L2712DN		
3-2	D009H6001	1	PANEL PCB ASSY	MFC-L2712DW		
3-2	D009H6001	1	PANEL PCB ASSY	MFC-L2713DW		
3-2	D00HAW001	1	PANEL PCB ASSY	MFC-L2715DW	FOR TWN	
3-2	D009H6001	1	PANEL PCB ASSY	MFC-L2715DW	FOR ASA	
3-2	D009H6001	1	PANEL PCB ASSY	MFC-L2716DW		
3-3	D00J52001	1	LCD SHEET	MFC-B7715DW		
3-3	D00R1C001	1	LCD SHEET	MFC-L2710DN		
3-3	D00HB1001	1	LCD SHEET	MFC-L2710DW		
3-3	D00U3B001	1	LCD SHEET	MFC-L2712DN		
3-3	D00U4B001	1	LCD SHEET	MFC-L2712DW		
3-3	D00MW9001	1	LCD SHEET	MFC-L2713DW		
3-3	D00MW7001	1	LCD SHEET	MFC-L2715DW		
3-3	D00U61001	1	LCD SHEET	MFC-L2716DW		
4	D00MT7001	1	PANEL UNIT 2395DW	HL-L2395DW		
4	D00MXB001	1	PANEL UNIT 2730DW	MFC-L2730DW		
4	D00V5A001	1	PANEL UNIT 2732DW	MFC-L2732DW		
4	D00HB3001	1	PANEL UNIT 2750DW	MFC-L2750DW		
4	D00HB3001	1	PANEL UNIT 2750DW	MFC-L2750DWXL		
4	D00V7A001	1	PANEL UNIT 2751DW	MFC-L2751DW		
4-1	LT3174001	1	TOUCH PANEL	HL-L2395DW		
4-1	LT3174001	1	TOUCH PANEL	MFC-L2730DW		
4-1	LT3174001	1	TOUCH PANEL	MFC-L2732DW		
4-1	LT3174001	1	TOUCH PANEL	MFC-L2750DW		
4-1	LT3174001	1	TOUCH PANEL	MFC-L2750DWXL		
4-1	LT3174001	1	TOUCH PANEL	MFC-L2751DW		
4-2	D00HS0001	1	LCD	HL-L2395DW		
4-2	D00HS0001	1	LCD	MFC-L2730DW		
4-2	D00HS0001	1	LCD	MFC-L2732DW		
4-2	D00HS0001	1	LCD	MFC-L2750DW		
4-2	D00HS0001	1	LCD	MFC-L2750DWXL		
4-2	D00HS0001	1	LCD	MFC-L2751DW		
4-3	D009HE001	1	PANEL PCB ASSY	HL-L2395DW		
4-3	D009HE002	1	PANEL PCB ASSY	MFC-L2730DW		
4-3	D009HE002	1	PANEL PCB ASSY	MFC-L2732DW		
4-3	D009HE001	1	PANEL PCB ASSY	MFC-L2750DW		
4-3	D009HE001	1	PANEL PCB ASSY	MFC-L2750DWXL		
4-3	D009HE001	1	PANEL PCB ASSY	MFC-L2751DW		
4-4	D009HP001	1	KEY PCB ASSY	HL-L2395DW		
4-4	D009HP001	1	KEY PCB ASSY	MFC-L2730DW		
4-4	D009HP001	1	KEY PCB ASSY	MFC-L2732DW		
4-4	D009HP001	1	KEY PCB ASSY	MFC-L2750DW		
4-4	D009HP001	1	KEY PCB ASSY	MFC-L2750DWXL		
4-4	D009HP001	1	KEY PCB ASSY	MFC-L2751DW		
4-5	D00SVB001	1	NFC PCB ASSY	HL-L2395DW		
4-5	D00SVB001	1	NFC PCB ASSY	MFC-L2750DW		
4-5	D00SVB001	1	NFC PCB ASSY	MFC-L2750DWXL		
4-5	D00SVB001	1	NFC PCB ASSY	MFC-L2751DW		
5	D00HKT001	1	ADDRESS LABEL	MFC-B7715DW		

11. PANEL

REF NO.	CODE	Q'TY	DESCRIPTION	MODEL	SPEC	REMARKS
5	D00HKT001	1	ADDRESS LABEL	MFC-L2710DN		
5	D00HKT001	1	ADDRESS LABEL	MFC-L2710DW		
5	D00HKT001	1	ADDRESS LABEL	MFC-L2712DN		
5	D00HKT001	1	ADDRESS LABEL	MFC-L2712DW		
5	D00HKT001	1	ADDRESS LABEL	MFC-L2713DW		
5	D00HKT001	1	ADDRESS LABEL	MFC-L2715DW		
5	D00HKT001	1	ADDRESS LABEL	MFC-L2716DW		
6	D00U1X002	1	PANEL COVER DCP POL W	DCP-B7520DW		
6	D00HAZ002	1	PANEL COVER COVER DCP ENG W	DCP-B7520DW		
6	D00HAZ002	1	PANEL COVER COVER DCP ENG W	DCP-B7535DW		
6	D00MD4001	1	PANEL COVER DCP GER	DCP-L2510D	FOR GER	
6	D00R15001	1	PANEL COVER DCP ENG	DCP-L2510D	FOR UK/PND	
6	D00PSF001	1	PANEL COVER DCP ITA	DCP-L2510D	FOR ITA	
6	D00PS9001	1	PANEL COVER DCP DUT	DCP-L2510D	FOR FRA/BEL/HOL	
6	D00PS8001	1	PANEL COVER DCP FRE	DCP-L2510D	FOR FRA/BEL/HOL	
6	D00PPT001	1	PANEL COVER DCP IBE	DCP-L2510D	FOR IBE	
6	D00TVM001	1	PANEL COVER DCP POL	DCP-L2512D		
6	D00PBR001	1	PANEL COVER DCP GER W	DCP-L2530DW	FOR GER/SWI	
6	D00HAZ001	1	PANEL COVER DCP ENG W	DCP-L2530DW	FOR UK/FRA/BEL/HOL/PND	
6	D00PP2001	1	PANEL COVER DCP FRE W	DCP-L2530DW	FOR SWI/FRA/BEL/HOL	
6	D00PPS001	1	PANEL COVER DCP DUT W	DCP-L2530DW	FOR FRA/BEL/HOL	
6	D00PKX001	1	PANEL COVER DCP IBE W	DCP-L2530DW	FOR IBE	
6	D00HAZ001	1	PANEL COVER DCP ENG W	DCP-L2532DW		
6	D00U1X001	1	PANEL COVER DCP POL W	DCP-L2532DW		
6	D00HAZ001	1	PANEL COVER DCP ENG W	DCP-L2535DW		
6	D00HAZ001	1	PANEL COVER DCP ENG W	DCP-L2537DW		
6	D00PPT001	1	PANEL COVER DCP IBE	DCP-L2550DN	FOR IBE	
6	D00R15001	1	PANEL COVER DCP ENG	DCP-L2550DN	FOR PND	
6	D00PS9001	1	PANEL COVER DCP DUT	DCP-L2550DN	FOR FRA/BEL/HOL	
6	D00MD4001	1	PANEL COVER DCP GER	DCP-L2550DN	FOR GER/SWI	
6	D00PS8001	1	PANEL COVER DCP FRE	DCP-L2550DN	FOR SWI/FRA/BEL/HOL	
6	D00PSF001	1	PANEL COVER DCP ITA	DCP-L2550DN	FOR ITA	
6	D00HAZ001	1	PANEL COVER DCP ENG W	DCP-L2550DW		
6	D00USZ001	1	PANEL COVER DCP RUS	DCP-L2551DN		
6	D00TVM001	1	PANEL COVER DCP POL	DCP-L2552DN		
6	D00HAZ001	1	PANEL COVER DCP ENG W	HL-L2390DW		
6	D00HB9002	1	PANEL COVER MFC ENG W	MFC-B7715DW	FOR CEE	
6	D00U49002	1	PANEL COVER MFC POL W	MFC-B7715DW	FOR POL	
6	D00HB0002	1	PANEL COVER MFC US W	MFC-B7715DW	FOR VNM/IDN	
6	D00HB0001	1	PANEL COVER MFC US W	MFC-L2713DW		
6	D00HB0001	1	PANEL COVER MFC US W	MFC-L2715DW	FOR ASA	
6	D00HB9001	1	PANEL COVER MFC ENG W	MFC-L2716DW		
(7)	D00M5T001	1	FRENCH PANEL STICKER		FOR CAN	

12. PCB



12. PCB

REF No.	CODE	Q'TY	DESCRIPTION	MODEL	SPEC	REMARKS
1	D00MZA001	1	MAIN PCB ASSY	DCP-B7520DW		
1	D00MZH001	1	MAIN PCB ASSY	DCP-B7535DW		
1	D00PLS002	1	MAIN PCB ASSY	DCP-L2510D		
1	D00PLS002	1	MAIN PCB ASSY	DCP-L2512D		
1	D00P17001	1	MAIN PCB ASSY	DCP-L2530DW	FOR GER/UK/FRA/BEL/HOL/IBE	
1	D00HE0002	1	MAIN PCB ASSY	DCP-L2530DW	FOR SWI/PND	
1	D00HE0002	1	MAIN PCB ASSY	DCP-L2532DW		
1	D00P1B001	1	MAIN PCB ASSY	DCP-L2535DW		
1	D00RBK002	1	MAIN PCB ASSY	DCP-L2537DW		
1	D00MZD002	1	MAIN PCB ASSY	DCP-L2550DN		
1	D00MZB001	1	MAIN PCB ASSY	DCP-L2550DW	FOR USA/CAN	
1	D00MZF001	1	MAIN PCB ASSY	DCP-L2550DW	FOR ASA	
1	D00P1D001	1	MAIN PCB ASSY	DCP-L2551DN		
1	D00MZD002	1	MAIN PCB ASSY	DCP-L2552DN		
1	D00HE0001	1	MAIN PCB ASSY	HL-L2390DW		
1	D00MZJ004	1	MAIN PCB ASSY	HL-L2395DW	FOR ARL	
1	D00MZJ001	1	MAIN PCB ASSY	HL-L2395DW	FOR USA/CAN	
1	D00J54001	1	MAIN PCB ASSY	MFC-B7715DW		
1	D00PLT002	1	MAIN PCB ASSY	MFC-L2710DN		
1	D00HE2004	1	MAIN PCB ASSY	MFC-L2710DW	FOR ARL	
1	D00HE2001	1	MAIN PCB ASSY	MFC-L2710DW	FOR USA/CAN	
1	D00HE2002	1	MAIN PCB ASSY	MFC-L2710DW	FOR GER/UK/FRA/BEL/HOL/SWI/ ITA/ISR/PND/IBE	
1	D00PLT002	1	MAIN PCB ASSY	MFC-L2712DN		
1	D00HE2002	1	MAIN PCB ASSY	MFC-L2712DW		
1	D00PS7004	1	MAIN PCB ASSY	MFC-L2713DW	FOR ARL	
1	D00PS7002	1	MAIN PCB ASSY	MFC-L2713DW	FOR NZ	
1	D00MZM001	1	MAIN PCB ASSY	MFC-L2715DW	FOR TWN	
1	D00P26001	1	MAIN PCB ASSY	MFC-L2715DW	FOR ASA	
1	D00P26001	1	MAIN PCB ASSY	MFC-L2716DW		
1	D00MZT004	1	MAIN PCB ASSY	MFC-L2730DW	FOR ARL	
1	D00MZT002	1	MAIN PCB ASSY	MFC-L2730DW	FOR GER/UK/SWI/ITA/IBE/FRA/ BEL/HOL/PND	
1	D00MZT001	1	MAIN PCB ASSY	MFC-L2730DW	FOR CAN	
1	D00MZT002	1	MAIN PCB ASSY	MFC-L2732DW		
1	D00HE4004	1	MAIN PCB ASSY	MFC-L2750DW	FOR ARL	
1	D00P29001	1	MAIN PCB ASSY	MFC-L2750DW	FOR ASA	
1	D00HE4001	1	MAIN PCB ASSY	MFC-L2750DW	FOR USA/CAN	
1	D00HE4002	1	MAIN PCB ASSY	MFC-L2750DW	FOR GER/UK/SWI/ITA/IBE/FRA/ BEL/HOL/PND	
1	D00HE4001	1	MAIN PCB ASSY	MFC-L2750DWXL		
1	D00P29001	1	MAIN PCB ASSY	MFC-L2751DW		
2	D0092S001	1	MODEM PCB ASSY	MFC-B7715DW		
2	D0092S001	1	MODEM PCB ASSY	MFC-L2710DN		
2	D0092S001	1	MODEM PCB ASSY	MFC-L2710DW		
2	D0092S001	1	MODEM PCB ASSY	MFC-L2712DN		
2	D0092S001	1	MODEM PCB ASSY	MFC-L2712DW		
2	D0092S001	1	MODEM PCB ASSY	MFC-L2713DW		
2	D0092S001	1	MODEM PCB ASSY	MFC-L2715DW		
2	D0092S001	1	MODEM PCB ASSY	MFC-L2716DW		
2	D0092S001	1	MODEM PCB ASSY	MFC-L2730DW		
2	D0092S001	1	MODEM PCB ASSY	MFC-L2732DW		
2	D0092S001	1	MODEM PCB ASSY	MFC-L2750DW		
2	D0092S001	1	MODEM PCB ASSY	MFC-L2750DWXL		
2	D0092S001	1	MODEM PCB ASSY	MFC-L2751DW		
3	D00HCK001	1	LOW VOLTAGE POWER SUPPLY PCB ASSY		FOR RUS	
3	D00MNX001	1	LOW VOLTAGE POWER SUPPLY PCB ASSY		FOR ARL/NZ	
3	D00HKR001	1	LOW VOLTAGE POWER SUPPLY PCB ASSY		FOR VNM/IDN/TUR	
3	D00HCG001	1	LOW VOLTAGE POWER SUPPLY PCB ASSY	DCP-B7520DW		
3	D00JUZ001	1	LOW VOLTAGE POWER SUPPLY PCB ASSY	DCP-L2510D		
3	D00HCG001	1	LOW VOLTAGE POWER SUPPLY PCB ASSY	DCP-L2512D		

12. PCB

REF NO.	CODE	Q'TY	DESCRIPTION	MODEL	SPEC	REMARKS
3	D00JUZ001	1	LOW VOLTAGE POWER SUPPLY PCB ASSY	DCP-L2530DW		
3	D00HCG001	1	LOW VOLTAGE POWER SUPPLY PCB ASSY	DCP-L2532DW		
3	D00HCG001	1	LOW VOLTAGE POWER SUPPLY PCB ASSY	DCP-L2535DW		
3	D00HCG001	1	LOW VOLTAGE POWER SUPPLY PCB ASSY	DCP-L2537DW		
3	D00JUZ001	1	LOW VOLTAGE POWER SUPPLY PCB ASSY	DCP-L2550DN		
3	D00HCG001	1	LOW VOLTAGE POWER SUPPLY PCB ASSY	DCP-L2550DW	FOR ASA	

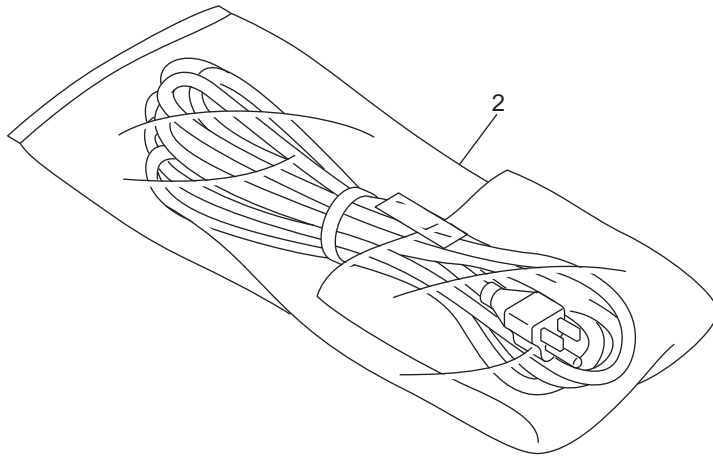
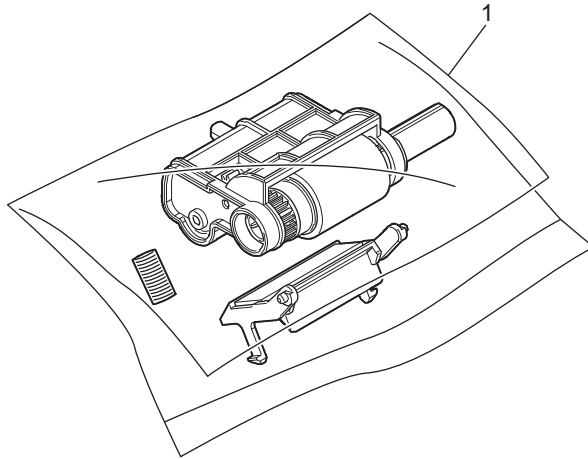
12. PCB

REF No.	CODE	Q'TY	DESCRIPTION	MODEL	SPEC	REMARKS
3	D00HCF001	1	LOW VOLTAGE POWER SUPPLY PCB ASSY	DCP-L2550DW	FOR USA/CAN	
3	D00HCG001	1	LOW VOLTAGE POWER SUPPLY PCB ASSY	DCP-L2552DN		
3	D00HCF001	1	LOW VOLTAGE POWER SUPPLY PCB ASSY	HL-L2390DW		
3	D00JV0001	1	LOW VOLTAGE POWER SUPPLY PCB ASSY	HL-L2395DW	FOR USA/CAN	
3	D00HCG001	1	LOW VOLTAGE POWER SUPPLY PCB ASSY	MFC-B7715DW	FOR POL/CEE	
3	D00HCG001	1	LOW VOLTAGE POWER SUPPLY PCB ASSY	MFC-L2710DN		
3	D00HCG001	1	LOW VOLTAGE POWER SUPPLY PCB ASSY	MFC-L2710DW	FOR GER/UK/FRA/BEL/HOL/SWI/ITA/ISR/PND/IBE	
3	D00HCF001	1	LOW VOLTAGE POWER SUPPLY PCB ASSY	MFC-L2710DW	FOR USA/CAN	
3	D00HCG001	1	LOW VOLTAGE POWER SUPPLY PCB ASSY	MFC-L2712DN		
3	D00HCG001	1	LOW VOLTAGE POWER SUPPLY PCB ASSY	MFC-L2712DW		
3	D00HCG001	1	LOW VOLTAGE POWER SUPPLY PCB ASSY	MFC-L2715DW	FOR ASA	
3	D00MNW001	1	LOW VOLTAGE POWER SUPPLY PCB ASSY	MFC-L2715DW	FOR TWN	
3	D00JV0001	1	LOW VOLTAGE POWER SUPPLY PCB ASSY	MFC-L2730DW	FOR CAN	
3	D00JUZ001	1	LOW VOLTAGE POWER SUPPLY PCB ASSY	MFC-L2730DW	FOR GER/UK/SWI/ITA/IBE/FRA/BEL/HOL/PND	
3	D00HCG001	1	LOW VOLTAGE POWER SUPPLY PCB ASSY	MFC-L2732DW		
3	D00HCG001	1	LOW VOLTAGE POWER SUPPLY PCB ASSY	MFC-L2750DW	FOR ASA/GER/UK/SWI/ITA/IBE/FRA/BEL/HOL/PND	
3	D00JV0001	1	LOW VOLTAGE POWER SUPPLY PCB ASSY	MFC-L2750DW	FOR USA/CAN	
3	D00JV0001	1	LOW VOLTAGE POWER SUPPLY PCB ASSY	MFC-L2750DWXL		
4	D0092T002	1	HIGH VOLTAGE POWER SUPPLY PCB ASSY	DCP-B7520DW		
4	D0092T002	1	HIGH VOLTAGE POWER SUPPLY PCB ASSY	DCP-B7535DW		
4	D0092T001	1	HIGH VOLTAGE POWER SUPPLY PCB ASSY	DCP-L2510D		
4	D0092T001	1	HIGH VOLTAGE POWER SUPPLY PCB ASSY	DCP-L2512D		
4	D0092T001	1	HIGH VOLTAGE POWER SUPPLY PCB ASSY	DCP-L2530DW		
4	D0092T001	1	HIGH VOLTAGE POWER SUPPLY PCB ASSY	DCP-L2532DW		
4	D0092T001	1	HIGH VOLTAGE POWER SUPPLY PCB ASSY	DCP-L2535DW		
4	D0092T001	1	HIGH VOLTAGE POWER SUPPLY PCB ASSY	DCP-L2537DW		
4	D0092T001	1	HIGH VOLTAGE POWER SUPPLY PCB ASSY	DCP-L2550DN		
4	D00HC2001	1	HIGH VOLTAGE POWER SUPPLY PCB ASSY	DCP-L2550DW	FOR USA/CAN	
4	D0092T001	1	HIGH VOLTAGE POWER SUPPLY PCB ASSY	DCP-L2550DW	FOR ASA	
4	D0092T001	1	HIGH VOLTAGE POWER SUPPLY PCB ASSY	DCP-L2551DN		
4	D0092T001	1	HIGH VOLTAGE POWER SUPPLY PCB ASSY	DCP-L2552DN		
4	D00HC2001	1	HIGH VOLTAGE POWER SUPPLY PCB ASSY	HL-L2390DW		
4	D0092T001	1	HIGH VOLTAGE POWER SUPPLY PCB ASSY	HL-L2395DW	FOR ARL	
4	D00HC2001	1	HIGH VOLTAGE POWER SUPPLY PCB ASSY	HL-L2395DW	FOR USA/CAN	

12. PCB

REF NO.	CODE	Q'TY	DESCRIPTION	MODEL	SPEC	REMARKS
4	D0092T002	1	HIGH VOLTAGE POWER SUPPLY PCB ASSY	MFC-B7715DW		
4	D0092T001	1	HIGH VOLTAGE POWER SUPPLY PCB ASSY	MFC-L2710DN		
4	D0092T001	1	HIGH VOLTAGE POWER SUPPLY PCB ASSY	MFC-L2710DW	FOR GER/UK/FRA/ARL/BEL/HOL/SWI/ITA/ISR/PND/IBE	
4	D00HC2001	1	HIGH VOLTAGE POWER SUPPLY PCB ASSY	MFC-L2710DW	FOR USA/CAN	
4	D0092T001	1	HIGH VOLTAGE POWER SUPPLY PCB ASSY	MFC-L2712DN		
4	D0092T001	1	HIGH VOLTAGE POWER SUPPLY PCB ASSY	MFC-L2712DW		
4	D0092T001	1	HIGH VOLTAGE POWER SUPPLY PCB ASSY	MFC-L2713DW		
4	D0092T001	1	HIGH VOLTAGE POWER SUPPLY PCB ASSY	MFC-L2715DW		
4	D0092T001	1	HIGH VOLTAGE POWER SUPPLY PCB ASSY	MFC-L2716DW		
4	D0092T001	1	HIGH VOLTAGE POWER SUPPLY PCB ASSY	MFC-L2730DW	FOR GER/UK/ARL/SWI/ITA/IBE/FRA/BEL/HOL/PND	
4	D00HC2001	1	HIGH VOLTAGE POWER SUPPLY PCB ASSY	MFC-L2730DW	FOR CAN	
4	D0092T001	1	HIGH VOLTAGE POWER SUPPLY PCB ASSY	MFC-L2732DW		
4	D00HC2001	1	HIGH VOLTAGE POWER SUPPLY PCB ASSY	MFC-L2750DW	FOR USA/CAN	
4	D0092T001	1	HIGH VOLTAGE POWER SUPPLY PCB ASSY	MFC-L2750DW	FOR ASA/GER/UK/ARL/SWI/ITA/IBE/FRA/BEL/HOL/PND	
4	D00HC2001	1	HIGH VOLTAGE POWER SUPPLY PCB ASSY	MFC-L2750DWXL		
4	D0092T001	1	HIGH VOLTAGE POWER SUPPLY PCB ASSY	MFC-L2751DW		
5	D00G37001	1	MODEM FLAT CABLE	MFC-B7715DW		
5	D00G37001	1	MODEM FLAT CABLE	MFC-L2710DN		
5	D00G37001	1	MODEM FLAT CABLE	MFC-L2710DW		
5	D00G37001	1	MODEM FLAT CABLE	MFC-L2712DN		
5	D00G37001	1	MODEM FLAT CABLE	MFC-L2712DW		
5	D00G37001	1	MODEM FLAT CABLE	MFC-L2713DW		
5	D00G37001	1	MODEM FLAT CABLE	MFC-L2715DW		
5	D00G37001	1	MODEM FLAT CABLE	MFC-L2716DW		
5	D00G37001	1	MODEM FLAT CABLE	MFC-L2730DW		
5	D00G37001	1	MODEM FLAT CABLE	MFC-L2732DW		
5	D00G37001	1	MODEM FLAT CABLE	MFC-L2750DW		
5	D00G37001	1	MODEM FLAT CABLE	MFC-L2750DWXL		
5	D00G37001	1	MODEM FLAT CABLE	MFC-L2751DW		

13. ACCESSORIES



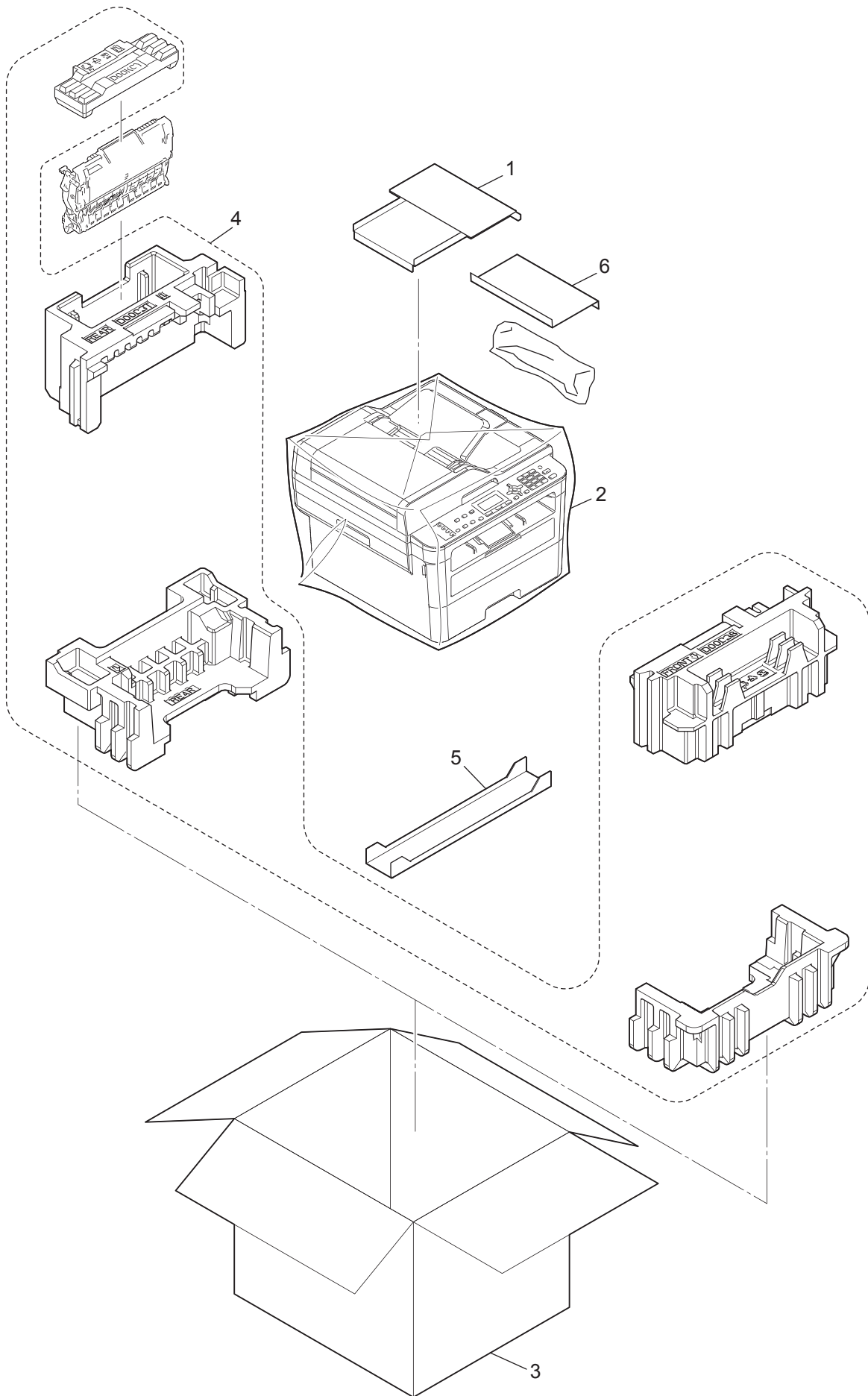
13. ACCESSORIES

REF No.	CODE	Q'TY	DESCRIPTION	MODEL	SPEC	REMARKS
1	D00UXB001	1	PF KIT SP		FOR RUS/GER/UK/ITA/ FRA/BEL/HOL/PND/IBE/CEE/USA/ CAN/SWI/ASA/RUS/VNM/IDN/ARL/ ISR/POL/TWN/TUR/NZ	
2	LG7005001	1	AC CORD BAG ASSY LF ISRAEL		FOR ISR	
2	LVL1378001	1	AC CORD BAG ASSY LF VDE V		FOR RUS/GER/ITA/FRA/BEL/ HOL/IBE/CEE/ASA/RUS/POL	
2	LG5717001	1	AC CORD BAG ASSY LF VDE		FOR PND	
2	LVL1380001	1	AC CORD BAG ASSY LF SEV V		FOR SWI	
2	LVL1379001	1	AC CORD BAG ASSY LF BS/PSB V		FOR UK/ASA	
(3)	LG3077001	1	TELEPHONE LINE CORD CSA	MFC-B7715DW		
(3)	UG3625001	1	TELEPHONE LINE CORD GER	MFC-L2710DN	FOR GER	
(3)	UG4205001	1	TELEPHONE LINE CORD AUS	MFC-L2710DN	FOR GER	
(3)	LG3077001	1	TELEPHONE LINE CORD CSA	MFC-L2710DN	FOR UK/ISR	
(3)	UG3626001	1	TELEPHONE LINE CORD UK6P	MFC-L2710DN	FOR UK	
(3)	UG3627001	1	TELEPHONE LINE CORD FRA	MFC-L2710DN	FOR FRA	
(3)	LT2144001	1	TELEPHONE LINE CORD ITA	MFC-L2710DN	FOR ITA	
(3)	LG5827001	1	TELEPHONE LINE CORD RJ45	MFC-L2710DW	FOR PND	
(3)	LG3077001	1	TELEPHONE LINE CORD CSA	MFC-L2710DW	FOR USA/CAN/UK/BEL/HOL/ISR/ IBE	
(3)	UG3625001	1	TELEPHONE LINE CORD GER	MFC-L2710DW	FOR GER	
(3)	UG4205001	1	TELEPHONE LINE CORD AUS	MFC-L2710DW	FOR GER	
(3)	UG3626001	1	TELEPHONE LINE CORD UK6P	MFC-L2710DW	FOR UK	
(3)	UG3627001	1	TELEPHONE LINE CORD FRA	MFC-L2710DW	FOR FRA	
(3)	LT3317001	1	TELEPHONE LINE CORD CSA2	MFC-L2710DW	FOR ARL	
(3)	LG7202001	1	TELEPHONE LINE CORD SWI	MFC-L2710DW	FOR SWI	
(3)	LT2144001	1	TELEPHONE LINE CORD ITA	MFC-L2710DW	FOR ITA	
(3)	LG3077001	1	TELEPHONE LINE CORD CSA	MFC-L2712DN		
(3)	LG3077001	1	TELEPHONE LINE CORD CSA	MFC-L2712DW		
(3)	LT3317001	1	TELEPHONE LINE CORD CSA2	MFC-L2713DW	FOR ARL	
(3)	UG3290001	1	TELEPHONE LINE CORD NZ	MFC-L2713DW	FOR NZ	
(3)	LG3077001	1	TELEPHONE LINE CORD CSA	MFC-L2715DW		
(3)	UG3290001	1	TELEPHONE LINE CORD NZ	MFC-L2715DW	FOR ASA	
(3)	LG3077001	1	TELEPHONE LINE CORD CSA	MFC-L2716DW		
(3)	UG3627001	1	TELEPHONE LINE CORD FRA	MFC-L2730DW	FOR FRA/BEL/HOL	
(3)	LG5827001	1	TELEPHONE LINE CORD RJ45	MFC-L2730DW	FOR PND	
(3)	LT2144001	1	TELEPHONE LINE CORD ITA	MFC-L2730DW	FOR ITA/IBE	
(3)	LG3077001	1	TELEPHONE LINE CORD CSA	MFC-L2730DW	FOR CAN/UK/ITA/IBE/FRA/BEL/ HOL	
(3)	UG3625001	1	TELEPHONE LINE CORD GER	MFC-L2730DW	FOR GER	
(3)	UG4205001	1	TELEPHONE LINE CORD AUS	MFC-L2730DW	FOR GER	
(3)	UG3626001	1	TELEPHONE LINE CORD UK6P	MFC-L2730DW	FOR UK	
(3)	LT3317001	1	TELEPHONE LINE CORD CSA2	MFC-L2730DW	FOR ARL	
(3)	LG7202001	1	TELEPHONE LINE CORD SWI	MFC-L2730DW	FOR SWI	
(3)	LG3077001	1	TELEPHONE LINE CORD CSA	MFC-L2732DW		
(3)	LG5827001	1	TELEPHONE LINE CORD RJ45	MFC-L2750DW	FOR PND	
(3)	LG3077001	1	TELEPHONE LINE CORD CSA	MFC-L2750DW	FOR ASA/USA/CAN/UK/ITA/IBE/ FRA/BEL/HOL	
(3)	UG3290001	1	TELEPHONE LINE CORD NZ	MFC-L2750DW	FOR ASA	
(3)	UG3625001	1	TELEPHONE LINE CORD GER	MFC-L2750DW	FOR GER	
(3)	UG4205001	1	TELEPHONE LINE CORD AUS	MFC-L2750DW	FOR GER	
(3)	UG3626001	1	TELEPHONE LINE CORD UK6P	MFC-L2750DW	FOR UK	
(3)	LT3317001	1	TELEPHONE LINE CORD CSA2	MFC-L2750DW	FOR ARL	
(3)	LG7202001	1	TELEPHONE LINE CORD SWI	MFC-L2750DW	FOR SWI	
(3)	LT2144001	1	TELEPHONE LINE CORD ITA	MFC-L2750DW	FOR ITA/IBE	
(3)	UG3627001	1	TELEPHONE LINE CORD FRA	MFC-L2750DW	FOR FRA/BEL/HOL	
(3)	LG3077001	1	TELEPHONE LINE CORD CSA	MFC-L2750DWXL		
(3)	LG3077001	1	TELEPHONE LINE CORD CSA	MFC-L2751DW	FOR TUR	
(3)	LG3077001	1	TELEPHONE LINE CORD CSA	MFC-L2751DW	FOR RUS	
(4)	LT3927001	1	TELEPHONE PLUG	MFC-L2710DW	FOR ARL	
(4)	LG5830001	1	TELEPHONE PLUG	MFC-L2710DW	FOR PND	
(4)	LG5829001	1	TELEPHONE PLUG	MFC-L2710DW	FOR PND	
(4)	LG5828001	1	TELEPHONE PLUG	MFC-L2710DW	FOR PND	
(4)	LT3927001	1	TELEPHONE PLUG	MFC-L2713DW	FOR ARL	
(4)	LG5828001	1	TELEPHONE PLUG	MFC-L2730DW	FOR PND	
(4)	LG5829001	1	TELEPHONE PLUG	MFC-L2730DW	FOR PND	
(4)	LT3927001	1	TELEPHONE PLUG	MFC-L2730DW	FOR ARL	

13. ACCESSORIES

REF NO.	CODE	Q'TY	DESCRIPTION	MODEL	SPEC	REMARKS
(4)	LG5830001	1	TELEPHONE PLUG	MFC-L2730DW	FOR PND	
(4)	LG5828001	1	TELEPHONE PLUG	MFC-L2750DW	FOR PND	
(4)	LT3927001	1	TELEPHONE PLUG	MFC-L2750DW	FOR ARL	
(4)	LG5830001	1	TELEPHONE PLUG	MFC-L2750DW	FOR PND	
(4)	LG5829001	1	TELEPHONE PLUG	MFC-L2750DW	FOR PND	

14. PACKAGING



14. PACKAGING MATERIALS

REF No.	CODE	Q'TY	DESCRIPTION	MODEL	SPEC	REMARKS
1	D00NY1001	1	OPTION CARTON	DCP-B7520DW		
1	D00KD1001	1	OPTION CARTON	DCP-B7535DW		
1	D00NY1001	1	OPTION CARTON	DCP-L2510D		
1	D00NY1001	1	OPTION CARTON	DCP-L2512D		
1	D00NY1001	1	OPTION CARTON	DCP-L2530DW		
1	D00NY1001	1	OPTION CARTON	DCP-L2532DW		
1	D00NY1001	1	OPTION CARTON	DCP-L2535DW		
1	D00NY1001	1	OPTION CARTON	DCP-L2537DW		
1	D00KD1001	1	OPTION CARTON	DCP-L2550DN		
1	D00KD1001	1	OPTION CARTON	DCP-L2550DW		
1	D00KD1001	1	OPTION CARTON	DCP-L2551DN		
1	D00KD1001	1	OPTION CARTON	DCP-L2552DN		
1	D00NY1001	1	OPTION CARTON	HL-L2390DW		
1	D00NY1001	1	OPTION CARTON	HL-L2395DW		
1	D00KD1001	1	OPTION CARTON	MFC		
1	D00KD1001	1	OPTION CARTON	MFC-B7715DW		
1	D00KD1001	1	OPTION CARTON	MFC-L2710DN		
1	D00KD1001	1	OPTION CARTON	MFC-L2710DW		
1	D00KD1001	1	OPTION CARTON	MFC-L2712DN		
1	D00KD1001	1	OPTION CARTON	MFC-L2712DW		
1	D00KD1001	1	OPTION CARTON	MFC-L2713DW		
1	D00KD1001	1	OPTION CARTON	MFC-L2715DW		
1	D00KD1001	1	OPTION CARTON	MFC-L2716DW		
1	D00KD1001	1	OPTION CARTON	MFC-L2730DW		
1	D00KD1001	1	OPTION CARTON	MFC-L2732DW		
1	D00KD1001	1	OPTION CARTON	MFC-L2750DW		
1	D00KD1001	1	OPTION CARTON	MFC-L2750DWXL		
1	D00KD1001	1	OPTION CARTON	MFC-L2751DW		
2	LEM700001	1	BAG 900X1000H			
3	D00VLY001	1	CARTON MFC-B7715DW ASA			FOR VNM/IDN
3	D00SB7001	1	CARTON DCP-B7535DW ASA			FOR VNM/IDN
3	D00U27001	1	CARTON DCP-B7520DW CEE-C	DCP-B7520DW		
3	D00PZJ001	1	CARTON DCP-L2510D EUR-C	DCP-L2510D		
3	D00U0A001	1	CARTON DCP-L2512D CEE-C	DCP-L2512D		
3	D00PK1001	1	CARTON DCP-L2530DW GER-C	DCP-L2530DW		FOR GER
3	D00PK5001	1	CARTON DCP-L2530DW EUR-C	DCP-L2530DW		FOR UK/SWI/FRA/BEL/HOL/PND/IBE
3	D00U38001	1	CARTON DCP-L2532DW CEE-C	DCP-L2532DW		
3	D00S09001	1	CARTON DCP-L2535DW ASA	DCP-L2535DW		
3	D00RMU001	1	CARTON DCP-L2537DW PAN-NOR-C	DCP-L2537DW		
3	D00PMA001	1	CARTON DCP-L2550DN EUR-C	DCP-L2550DN		
3	D00PW2001	1	CARTON DCP-L2550DW CAN-C	DCP-L2550DW		FOR CAN
3	D00PW1001	1	CARTON DCP-L2550DW US-C	DCP-L2550DW		FOR USA
3	D00S68001	1	CARTON DCP-L2550DW ASA	DCP-L2550DW		FOR ASA
3	D00UW8001	1	CARTON DCP-L2551DN RUS-C	DCP-L2551DN		
3	D00U4V001	1	CARTON DCP-L2552DN CEE-C	DCP-L2552DN		
3	D00PUE001	1	CARTON HL-L2390DW US-C	HL-L2390DW		FOR USA
3	D00PUN001	1	CARTON HL-L2390DW CAN-C	HL-L2390DW		FOR CAN
3	D00PZR001	1	CARTON HL-L2395DW US-C	HL-L2395DW		FOR USA
3	D00PZV001	1	CARTON HL-L2395DW CAN-C	HL-L2395DW		FOR CAN
3	D00RY3001	1	CARTON HL-L2395DW ARL-C	HL-L2395DW		FOR ARL
3	D00V7Z001	1	CARTON MFC-L2751DW RUS-C	MFC		
3	D00VPA001	1	CARTON MFC-B7715DW CEE-C	MFC-B7715DW		FOR POL/CEE
3	D00R5M001	1	CARTON MFC-L2710DN EUR-C	MFC-L2710DN		
3	D00C3K001	1	CARTON MFC-L2710DW US-C	MFC-L2710DW		FOR USA
3	D00R1S001	1	CARTON MFC-L2710DW CAN-C	MFC-L2710DW		FOR CAN
3	D00PUX001	1	CARTON MFC-L2710DW GER-C	MFC-L2710DW		FOR GER
3	D00PWC001	1	CARTON MFC-L2710DW EUR-C	MFC-L2710DW		FOR UK/FRA/BEL/HOL/SWI/ITA/ISR/PND/IBE
3	D00RYG001	1	CARTON MFC-L2710DW ARL-C	MFC-L2710DW		FOR ARL
3	D00U3W001	1	CARTON MFC-L2712DN CEE-C	MFC-L2712DN		
3	D00U4D001	1	CARTON MFC-L2712DW CEE-C	MFC-L2712DW		
3	D00RZ6001	1	CARTON MFC-L2713DW OCE-C	MFC-L2713DW		
3	D00S6H001	1	CARTON MFC-L2715DW ASA	MFC-L2715DW		
3	D00U76001	1	CARTON MFC-L2716DW TUR-C	MFC-L2716DW		
3	D00RZZ001	1	CARTON MFC-L2730DW ARL-C	MFC-L2730DW		FOR ARL
3	D00PYT001	1	CARTON MFC-L2730DW EUR-C	MFC-L2730DW		FOR UK/SWI/ITA/IBE/FRA/BEL/HOL/PND

14. PACKAGING MATERIALS

REF NO.	CODE	Q'TY	DESCRIPTION	MODEL	SPEC	REMARKS
3	D00RG7001	1	CARTON MFC-L2730DW CAN-C	MFC-L2730DW	FOR CAN	
3	D00PY8001	1	CARTON MFC-L2730DW GER-C	MFC-L2730DW	FOR GER	
3	D00V6M001	1	CARTON MFC-L2732DW CEE-C	MFC-L2732DW		
3	D00S05001	1	CARTON MFC-L2750DW ARL-C	MFC-L2750DW	FOR ARL	
3	D00S7N001	1	CARTON MFC-L2750DW ASA	MFC-L2750DW	FOR ASA	
3	D00R3S001	1	CARTON MFC-L2750DW US-C	MFC-L2750DW	FOR USA	
3	D00R3X001	1	CARTON MFC-L2750DW CAN-C	MFC-L2750DW	FOR CAN	
3	D00R0H001	1	CARTON MFC-L2750DW GER-C	MFC-L2750DW	FOR GER	
3	D00R0U001	1	CARTON MFC-L2750DW EUR-C	MFC-L2750DW	FOR UK/SWI/ITA/IBE/FRA/BEL/ HOL/PND	
3	D00TRX001	1	CARTON MFC-L2750DWXL US-C	MFC-L2750DWXL		
3	D00VB1001	1	CARTON MFC-L2751DW TUR-C	MFC-L2751DW		
4	D00CTK001	1	POLYSTYRENE PAD ASSY	DCP-B7520DW		
4	D00C3P001	1	POLYSTYRENE PAD ASSY	DCP-B7535DW		
4	D00CTK001	1	POLYSTYRENE PAD ASSY	DCP-L2510D		
4	D00CTK001	1	POLYSTYRENE PAD ASSY	DCP-L2512D		
4	D00CTK001	1	POLYSTYRENE PAD ASSY	DCP-L2530DW		
4	D00CTK001	1	POLYSTYRENE PAD ASSY	DCP-L2532DW		
4	D00CTK001	1	POLYSTYRENE PAD ASSY	DCP-L2535DW		
4	D00CTK001	1	POLYSTYRENE PAD ASSY	DCP-L2537DW		
4	D00C3P001	1	POLYSTYRENE PAD ASSY	DCP-L2550DN		
4	D00C3P001	1	POLYSTYRENE PAD ASSY	DCP-L2550DW		
4	D00C3P001	1	POLYSTYRENE PAD ASSY	DCP-L2551DN		
4	D00C3P001	1	POLYSTYRENE PAD ASSY	DCP-L2552DN		
4	D00CTK001	1	POLYSTYRENE PAD ASSY	HL-L2390DW		
4	D00CTK001	1	POLYSTYRENE PAD ASSY	HL-L2395DW		
4	D00C3P001	1	POLYSTYRENE PAD ASSY	MFC		
4	D00C3P001	1	POLYSTYRENE PAD ASSY	MFC-B7715DW		
4	D00C3P001	1	POLYSTYRENE PAD ASSY	MFC-L2710DN		
4	D00C3P001	1	POLYSTYRENE PAD ASSY	MFC-L2710DW		
4	D00C3P001	1	POLYSTYRENE PAD ASSY	MFC-L2712DN		
4	D00C3P001	1	POLYSTYRENE PAD ASSY	MFC-L2712DW		
4	D00C3P001	1	POLYSTYRENE PAD ASSY	MFC-L2713DW		
4	D00C3P001	1	POLYSTYRENE PAD ASSY	MFC-L2715DW		
4	D00C3P001	1	POLYSTYRENE PAD ASSY	MFC-L2716DW		
4	D00C3P001	1	POLYSTYRENE PAD ASSY	MFC-L2730DW		
4	D00C3P001	1	POLYSTYRENE PAD ASSY	MFC-L2732DW		
4	D00C3P001	1	POLYSTYRENE PAD ASSY	MFC-L2750DW		
4	D00T0D001	1	POLYSTYRENE PAD ASSY	MFC-L2750DWXL		
4	D00C3P001	1	POLYSTYRENE PAD ASSY	MFC-L2751DW		
5	D00LXG001	1	SPACER CARTON			
6	D00KD2001	1	OPTION CARTON	DCP-B7520DW		
6	D00KD2001	1	OPTION CARTON	DCP-B7535DW		
6	D00KD2001	1	OPTION CARTON	MFC-B7715DW		
(7)	D00U2Z001	1	CARTON LABEL MFC-L2715DW TWN	MFC-L2715DW	FOR TWN	