



Brother Facsimile Equipment **PARTS REFERENCE LIST**

**MODEL:
DCP-9045CDN / MFC-9840CDW**



Read this list thoroughly before maintenance work.

Keep this list in a convenient place for quick and easy reference at all times.

NOTE FOR USING THIS PARTS REFERENCE LIST

1. In the case of ordering parts, it is necessary to mention the following items;

- (1) Code
- (2) Q'ty
- (3) Description
- (4) Symbol (PCB No. etc)

Note: Orders without Parts Code or Tool No. can not be accepted.

< Example >

	(1) CODE	(2) Q'TY	(3) DESCRIPTION	(4) SYMBOL	REMARK
REF.NO.					

2. Design-changed parts :

If any of the parts is changed, one of the following symbols is indicated in the REMARK column.

CHG(chg) : The parts is changed to a new parts.

ADD(add) : The parts is newly added.

DEL(del) : The parts is deleted.

Symbol in capital letters indicates the latest parts change information in the page.

3. Parts change will be informed by the Parts change information.

4. Parts are subject to change in design without prior notice.

COUNTRIES

U.S.A. ---- US

CANADA ---- CAN

GERMANY ---- GER

UNITED KINGDOM ---- UK

FRANCE ---- FRA

BELGIUM ---- BEL

NETHERLANDS ---- NLD

SWITZERLAND ---- CHE

SPAIN ---- SPA

ITALY ---- ITA

PORTUGAL ---- POR

CHINA ---- CHN

SOUTH AFRICA ---- ZAF

ARGENTINA ---- ARG

CHILE ---- CHL

ASIA (SINGAPORE&GULF) ---- ASA

BRAZIL ---- BRA

AUSTRALIA ---- ARL

NEW ZEALAND ---- NZ

PAN NORDIC

(NORWAY/FINLAND/DENMARK/SWEDEN) ---- PND

GENERAL ---- GNR

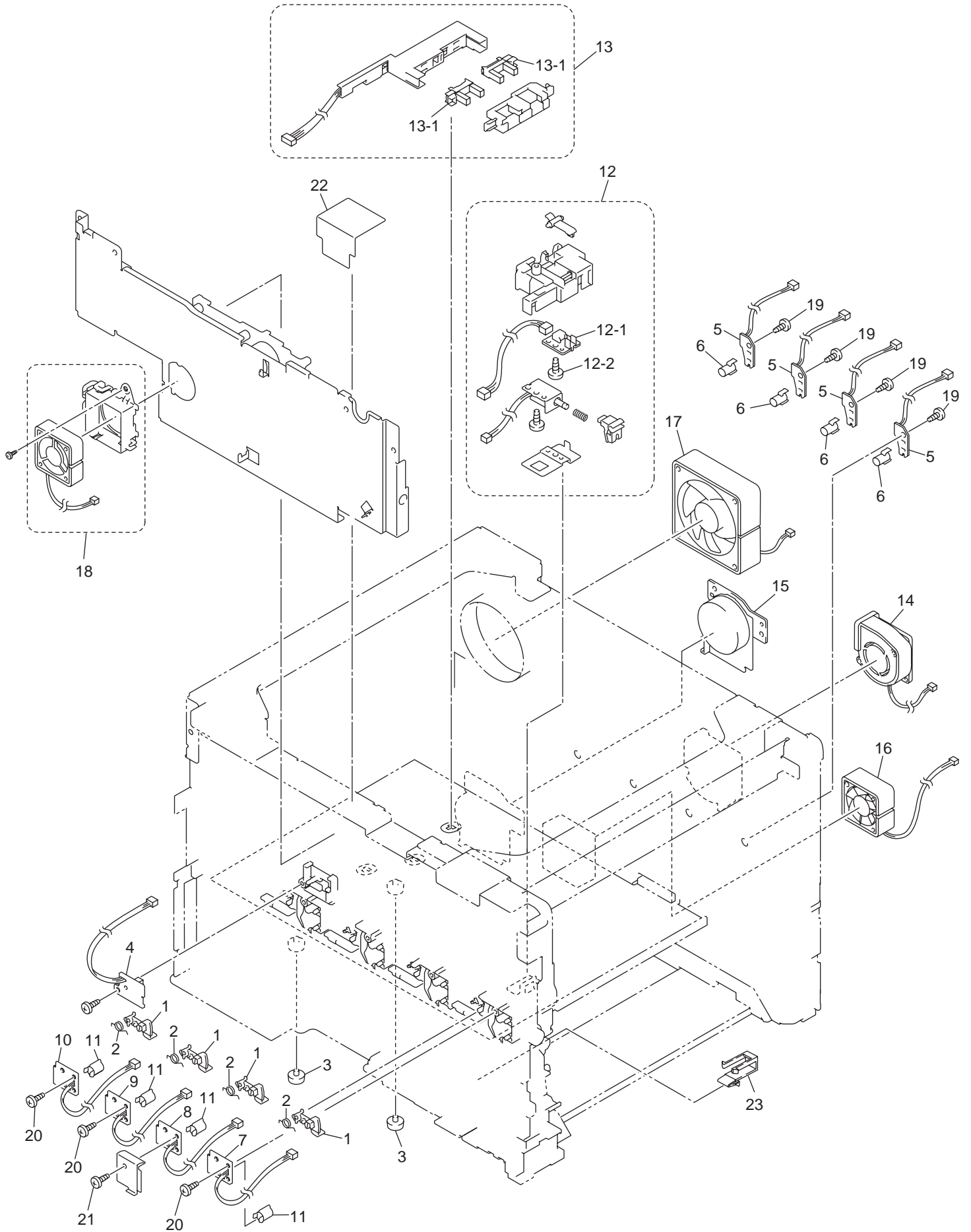
CONTENTS

1.	<u>FRAME UNIT</u>	1
2.	<u>DRIVE</u>	3
3.	<u>LASER UNIT</u>	5
4.	<u>PAPER FEEDER</u>	7
5.	<u>MP UNIT</u>	9
6.	<u>DX</u>	11
7.	<u>PAPER TRAY</u>	13
8.	<u>FUSER UNIT</u>	15
9.	<u>PAPER EJECT</u>	17
10.	<u>COVERS&LABELS</u>	19
11.	<u>DOCUMENT SCANNER</u>	21
12.	<u>ADF</u>	23
13.	<u>PANEL</u>	26
14.	<u>PCB</u>	28
15.	<u>ACCESSORIES</u>	30
16.	<u>PRINTED MATERIAL</u>	32
17.	<u>PACKING MATERIALS</u>	34
18.	<u>PERIODICAL MAINTENANCE PART</u>	36

1. FRAME UNIT

REF No.	CODE	Q'TY	DESCRIPTION	SYMBOL	REMARKS
1	LR0402001	4	NEW TONER ACTUATOR		
2	LR0403001	4	NEW TONER ACTUATOR SPRING		
3	UH2208001	2	RUBBER FOOT		
4	LM9189001	1	DEVELOP RELEASE SENSOR PCB ASSY	B512243	
5	LM9210001	4	TONER LED PCB ASSY	B512237	
6	LR1094001	4	LED HOLDER		
7	LM9211001	1	TONER SENSOR PCB ASSY K		
8	LM9334001	1	TONER SENSOR PCB ASSY Y		
9	LM9335001	1	TONER SENSOR PCB ASSY M		
10	LM9336001	1	TONER SENSOR PCB ASSY C		
11	UL9037001	4	LED HOLDER		
12	LR0523001	1	BELT CLEANER RELEASE ASSY		
12-1	LM9218001	1	BELT CLEANER RELEASE SENSOR PCB ASSY	B512233	
12-2	085310816	1	TAPTITE BIND B M3X8		
13	LR0532001	1	WASTE TONER NEAR/FULL SENSOR ASSY		
13-1	LM9221001	2	WASTE TONER SENSOR		
14	LR0589001	1	AIR INTAKE FAN (AIR)		
15	LR0217001	1	BELT UNIT DRIVE MOTOR		
16	LR0903001	1	LVPS FAN (PS)		
17	LR0906001	1	FUSER UNIT FAN (FU)		
18	LU4228001	1	DRUM UNIT FAN HOLDER ASSY (OPC)		CHG
19	0A2301603	4	SCREW PAN (P WASHER) M3X16		
20	085310816	3	TAPTITE BIND B M3X8		
21	087310816	1	TAPTITE CUP B M3X8		
22	LR1820001	1	ALUM SHEET FRAME		
23	LU4027001	1	DX HOOK ASSY AC		

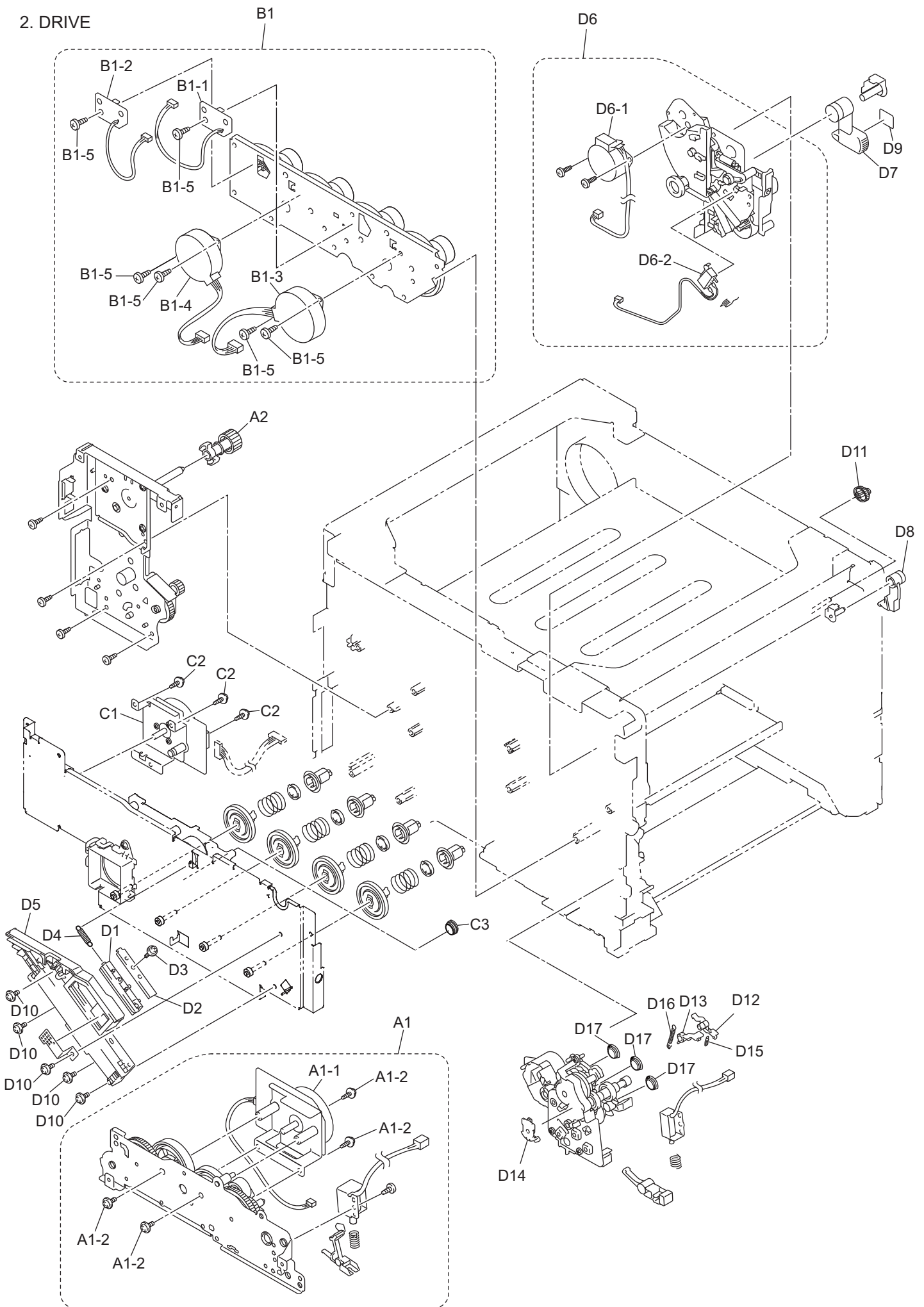
1. FRAME UNIT



2. DRIVE

REF No.	CODE	Q'TY	DESCRIPTION	SYMBOL	REMARKS
			CLEANER DRIVE		
A1	LR1246001	1	DRIVE FRAME UNIT ASSY		
A1-1	LR0440001	1	PAPER FEED/BELT CLEANER MOTOR ASSY		
A1-2	087320616	4	TAPTITE CUP S M3X6		
A2	LR1126001	1	FUSER DRIVE GEAR 18		ADD
			DRUM DRIVE		
B1	LR1904001	1	DRUM DRIVE ASSY		
B1-1	LM9192001	1	DRUM PHASE SENSOR PCB ASSY1	B512236	
B1-2	LM9337001	1	DRUM PHASE SENSOR PCB ASSY2	B512236	
B1-3	Z31008001	1	DRUM DRIVE MOTOR1		
B1-4	Z31012001	1	DRUM DRIVE MOTOR2		
B1-5	085320616	6	TAPTITE BIND S M3X6		
			DEVELOP DRIVE		
C1	LR0193001	1	DEVELOP DRIVE MOTOR ASSY		
C2	087320616	3	TAPTITE CUP S M3X6		
C3	LU4111001	1	FRICTION CAP		add
			DRUM DRAW DRIVE		
D1	LR1006001	1	RELEASE RACK		
D2	LR1007001	1	RELEASE RACK PLATE		
D3	087310816	1	TAPTITE CUP B M3X8		
D4	LR1008001	1	RELEASE RACK SPRING		
D5	LR1228001	1	THM/HUM SENSOR HOLDER ASSY		
D6	LR0803001	1	DEVELOP PRESS DRIVE L ASSY		
D6-1	LR0823001	1	DEVELOP RELEASE MOTOR ASSY		
D6-2	LR0827001	1	FRONT COVER INTERLOCK SWITCH ASSY		
D7	LR1014001	1	DRUM LOCK LEVER L		
D8	LR1018001	1	DRUM LOCK LEVER R		
D9	LR1710001	1	DRUM LOCK LEVER LABEL		
D10	087320616	5	TAPTITE CUP S M3X6		
D11	LR1023001	1	DRUM LOCK GEAR 24		
D12	LR0307001	1	HOOK B		
D13	LR0308001	1	HOOK C		
D14	LR0327001	1	BUSH7		
D15	LR0910001	1	HOOK SPRING BC		
D16	LR0310001	1	PP GEAR CLUTCH CAM SPRING		
D17	LR0296001	3	BUSH5		add

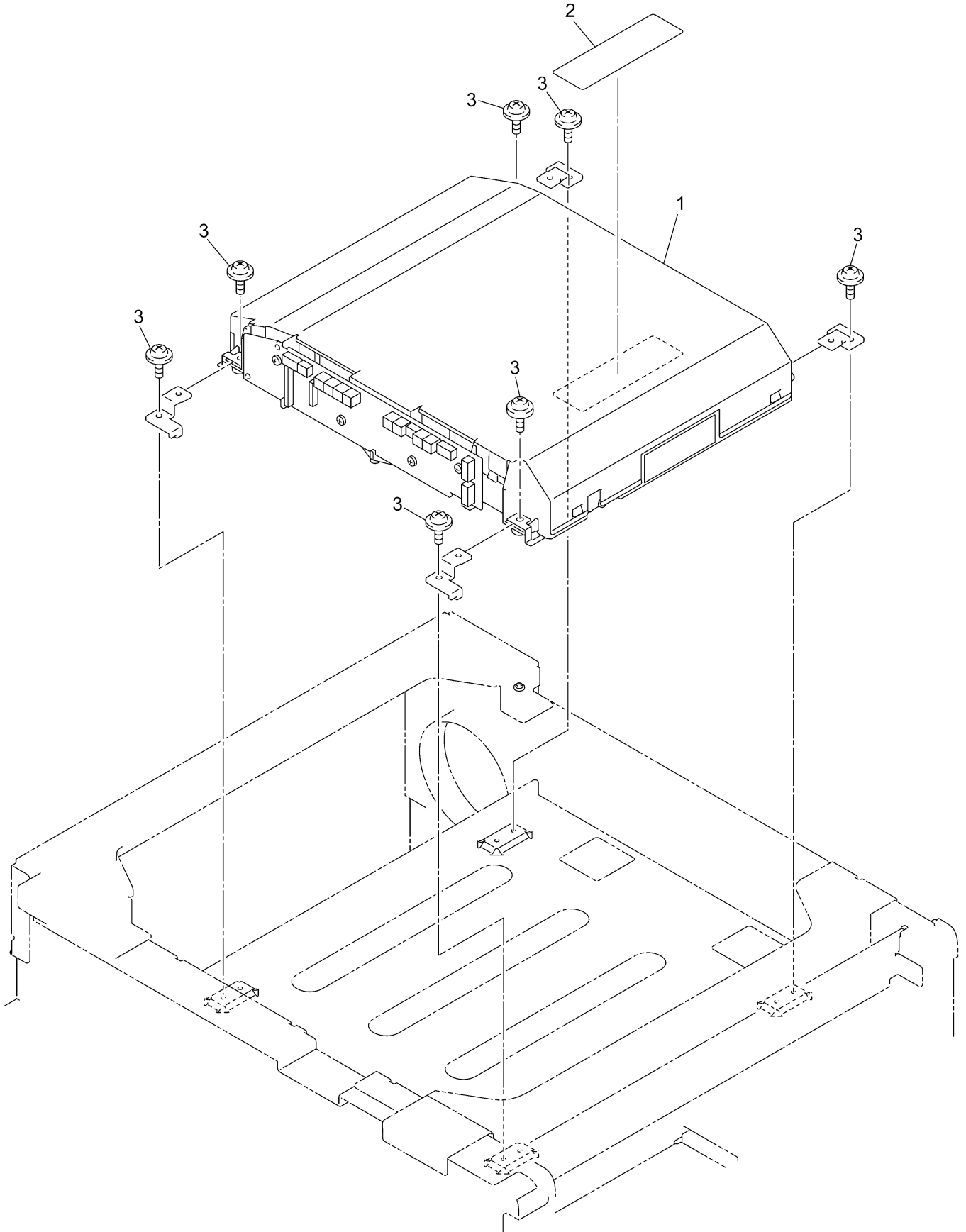
2. DRIVE



3. LASER UNIT

REF No.	CODE	Q'TY	DESCRIPTION	REMARKS
1	LU4373001	1	LASER UNIT (SP)	CHG
2	LJ0908001	1	LASER CAUTION LABEL , EXCEPT FOR MFC9840CDW FOR CHN	
2	UL7931001	1	LASER CAUTION LABEL, MFC9840CDW FOR CHN	add
3	LM5867001	7	TAPTITE CUP S M3X6 SR	

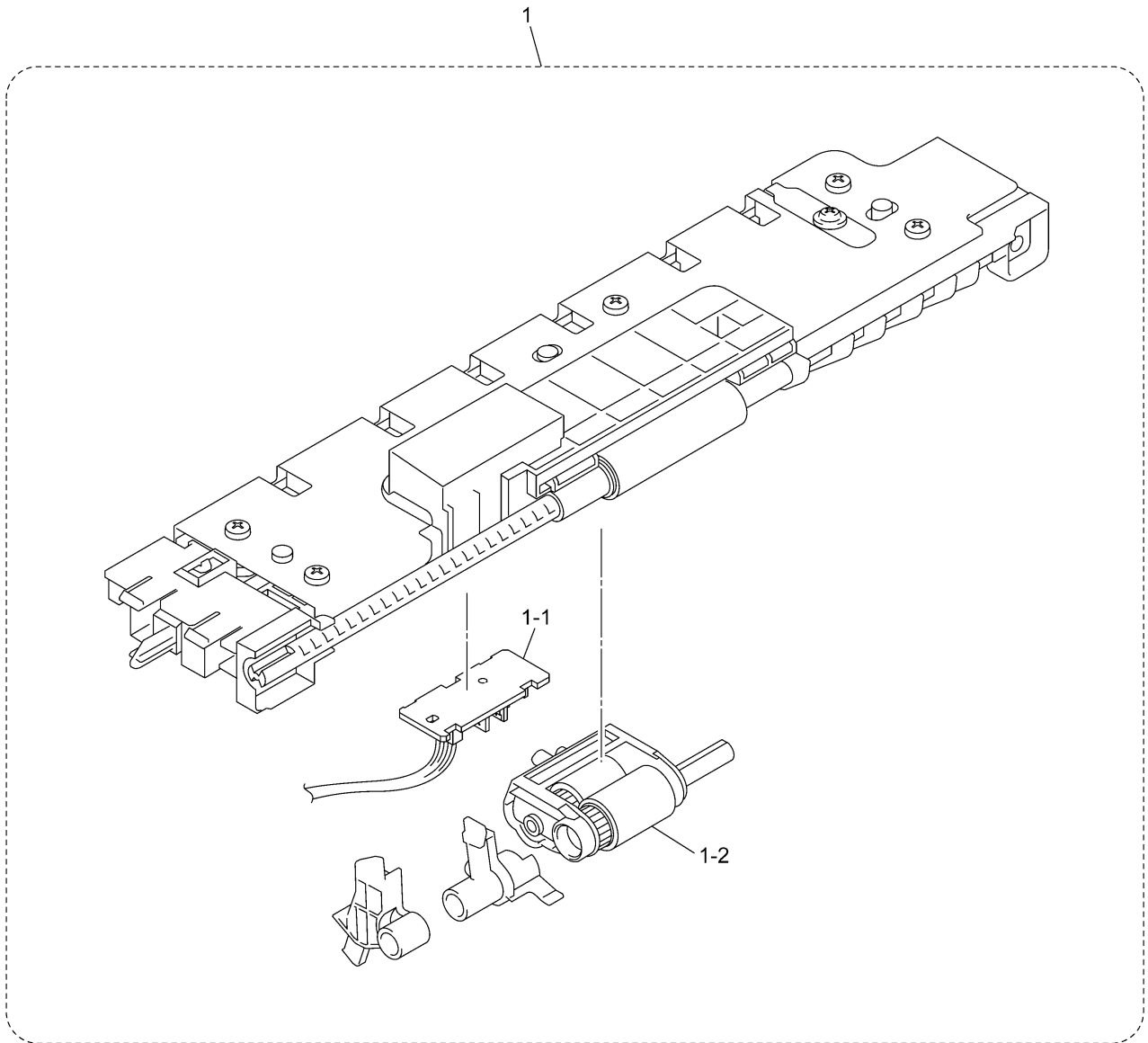
3.LASER UNIT



4. PAPER FEEDER

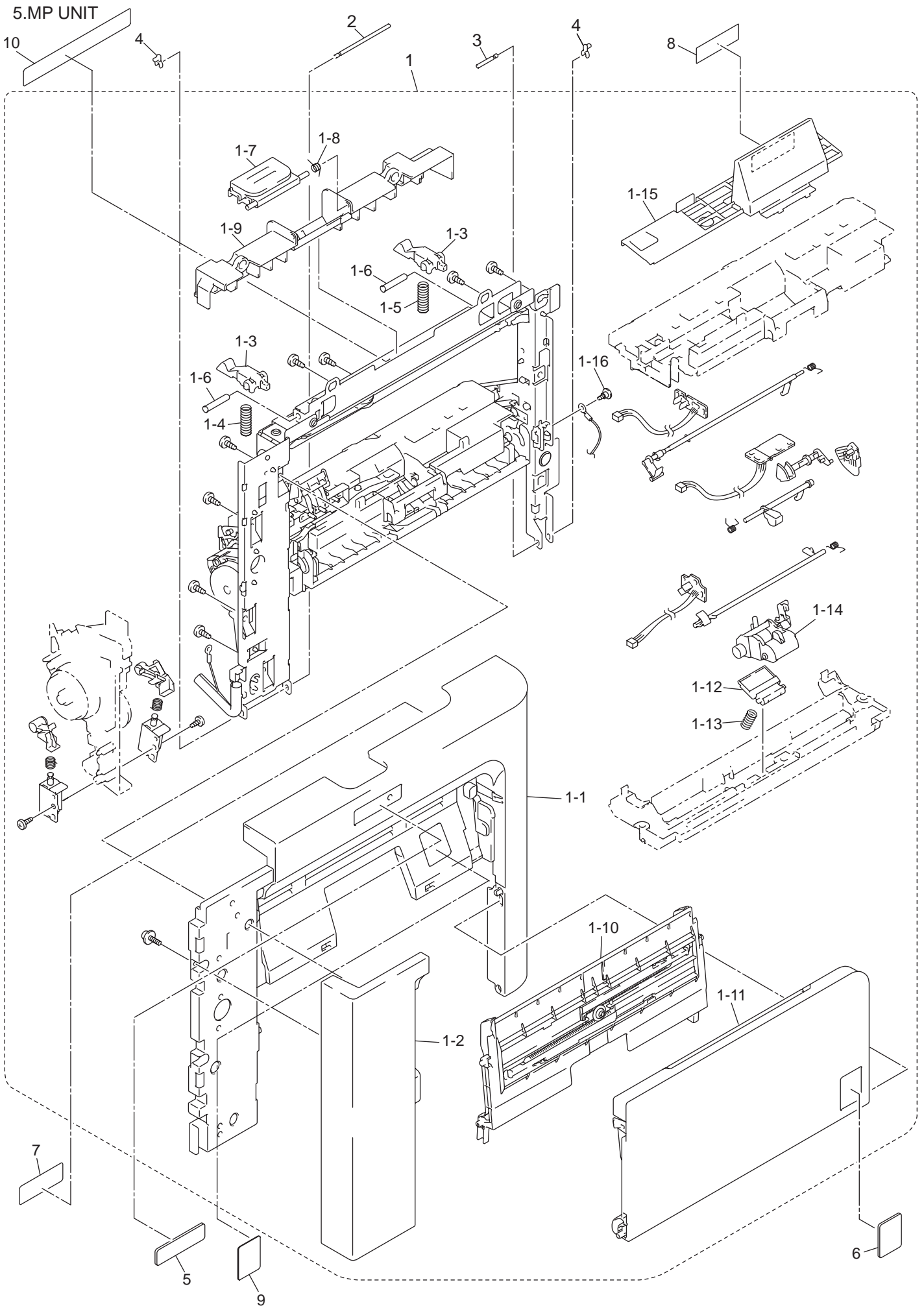
REF No.	CODE	Q'TY	DESCRIPTION	REMARKS
1	LR0107001	1	PAPER FEED FRAME UNIT	
1-1	LM9185001	1	T1 PE/EDGE SENSOR PCB ASSY	
1-2	LR1914001	1	ROLLER HOLDER ASSY	

4. PAPER FEEDER



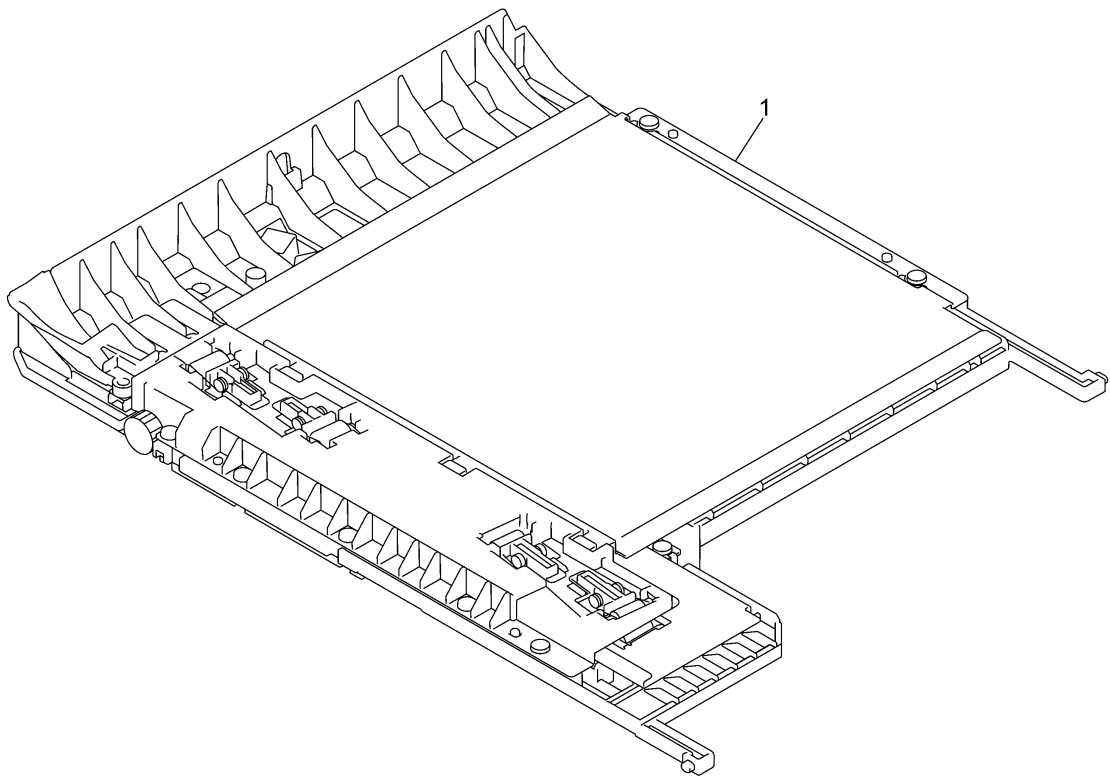
5. MP UNIT

REF No.	CODE	Q'TY	DESCRIPTION	REMARKS
1	LR1768001	1	FRONT DOOR UNIT ASSY (SP)	
1-1	LR1601001	1	FRONT DOOR MAIN	
1-2	LR0707001	1	FRONT DOOR SUB	
1-3	LR1037001	2	HOOK	
1-4	LR1676001	1	HOOK SPRING L	
1-5	LR1677001	1	HOOK SPRING R	
1-6	LR1025001	2	HOOK SHAFT	
1-7	LR0691001	1	FRONT COVER RELEASE BUTTON	
1-8	LR0692001	1	BUTTON SPRING	
1-9	LR0700001	1	HOOK COVER	
1-10	LR0854001	1	MP PAPER GUIDE ASSY	
1-11	LR0856001	1	MP COVER ASSY	
1-12	LR0716001	1	SEPARATION PAD ASSY MP	
1-13	LR0718001	1	SEPARATION PAD SPRING MP	
1-14	LR1916001	1	MP ROLLER HOLDER ASSY	
1-15	LR0853001	1	MP FEED FRAME COVER	
1-16	LU4058001	1	SHOULDER SCREW	add
2	LR0860001	1	HINGE SHAFT L	
3	LR0861001	1	HINGE SHAFT R	
4	LR0862001	2	COLLAR 3	
5	LU4163001	1	BROTHER EMBLEM 2	CHG
6	LR1248001	1	COLOR LASER LABEL	
7	LR1388001	1	HEATER CAUTION LABEL	
8	LU0233001	1	CAUTION LABEL S 13X40	
9	LR1389001	1	MP SET INSTRUCTION LABEL	add
10	LR1610001	1	TONER LABEL US, DCP9045CDN FOR US/ARG/CHL, MFC9840CDW FOR US/CAN/BRA	add
10	LR1619001	1	TONER LABEL EU, DCP9045CDN/MFC9840CDW FOR GER/UK/CHE/SPA/POR/ITA/FRA/BEL/NLD/PND/GNR	add
10	LR1736001	1	TONER LABEL CHN, MFC9840CDW FOR CHN	add
10	LR1757001	1	TONER LABEL AP, MFC9840CDW FOR ZAF/ASA/ARL/NZ	add



6.DX

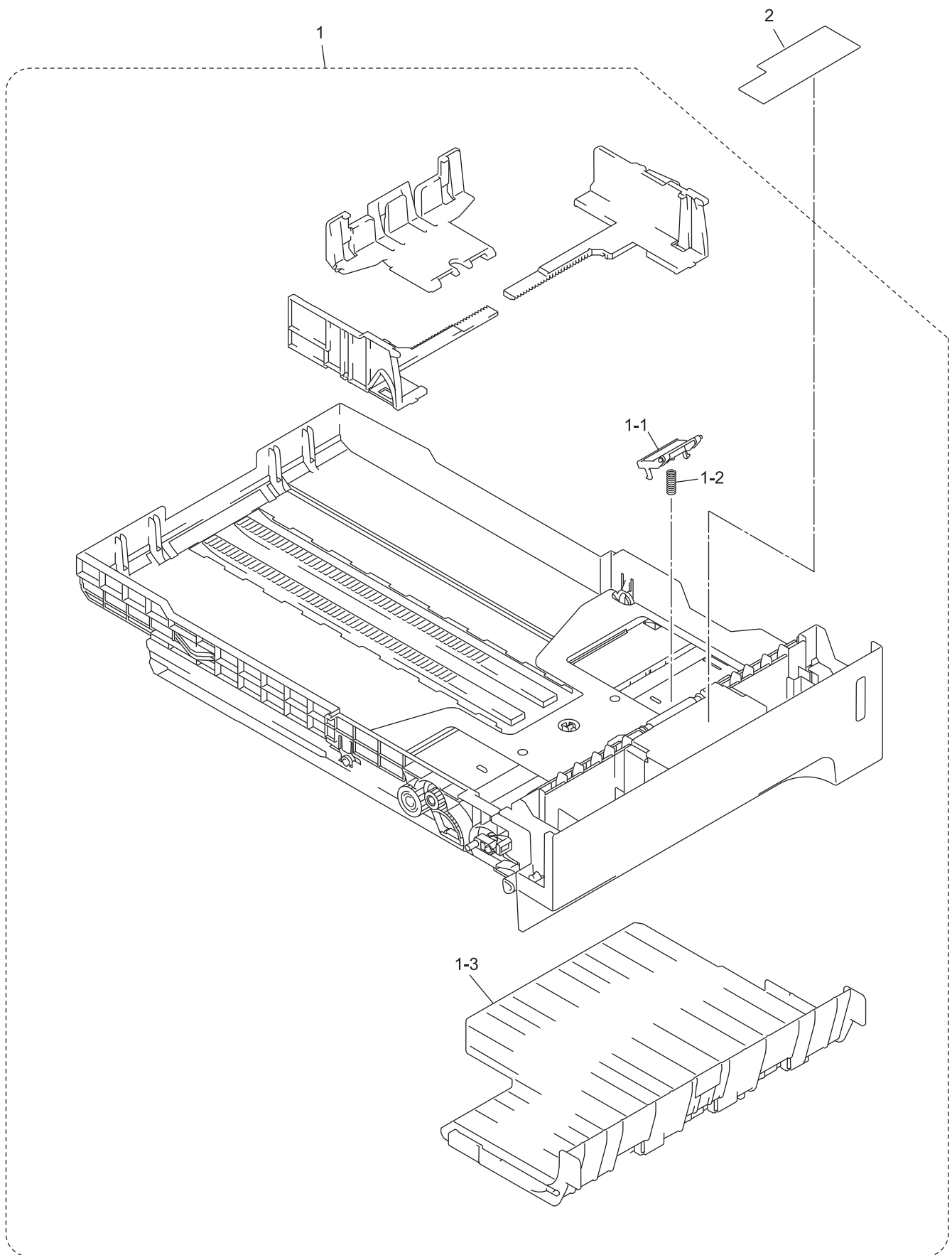
REF No.	CODE	Q'TY	DESCRIPTION	REMARKS
1	LR0228001	1	DX FEED ASSY	



7. PAPER TRAY

REF No.	CODE	Q'TY	DESCRIPTION	REMARKS
1	LR0247001	1	PAPER TRAY UNIT	
4	LR1234001	4	PAPER TRAY UNIT FOR GER/UK/FRA/BEL/NLD/CHE/ SPA/ITA/POR/ASA/ARL/NZ/PNE	del
1-1	LM5237001	1	SEPARATION PAD ASSY	
1-2	LR0931001	1	SEPARATION PAD SPRING	
1-3	LR0545001	1	PAPER GUIDE DX ASSY	
2	LU4358001	1	LABEL SPRAY CAUTION TRAY 2	ADD

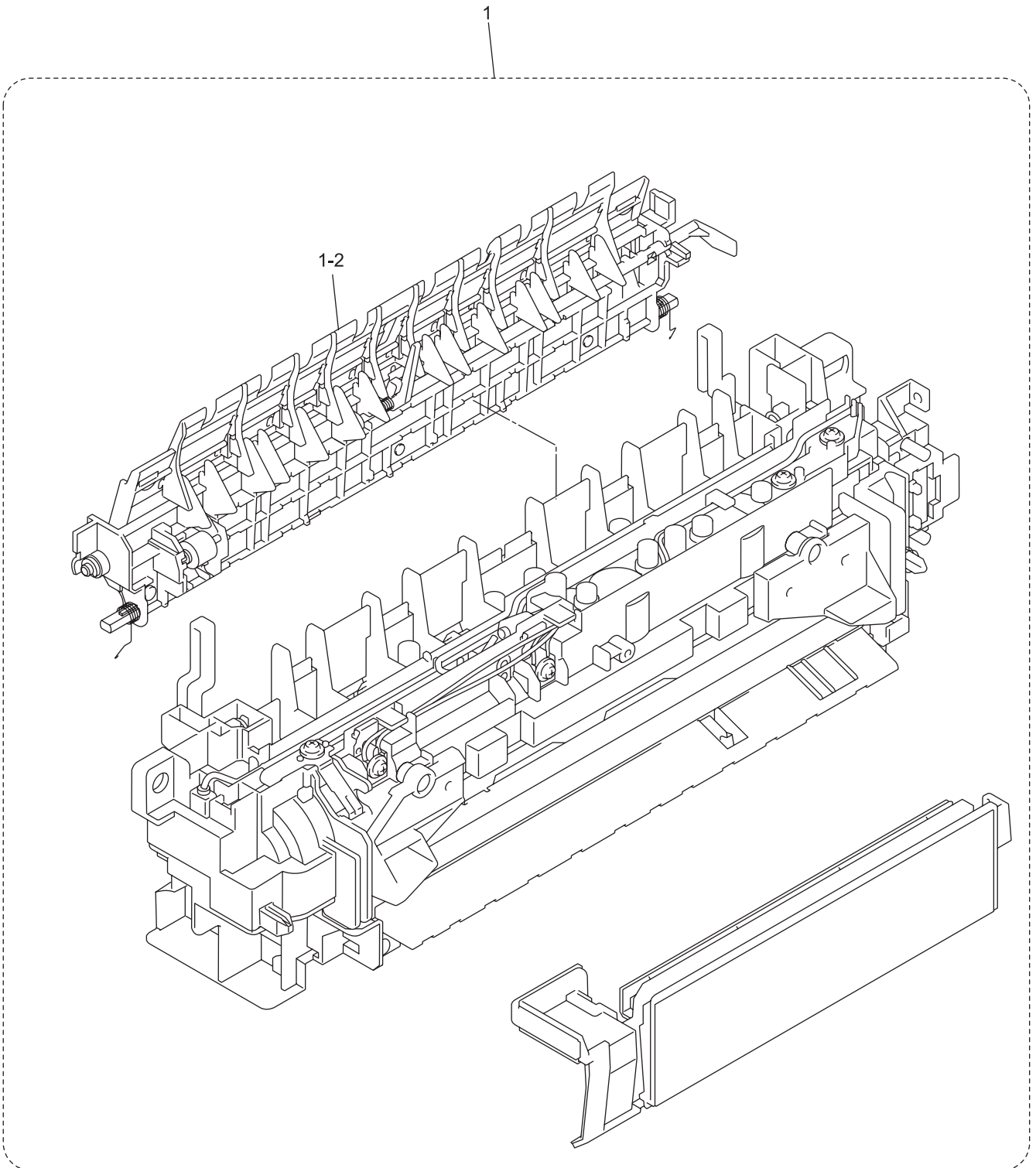
7. PAPER TRAY



8. FUSER UNIT

REF No.	CODE	Q'TY	DESCRIPTION	REMARKS
1	LU4103001	1	FUSER UNIT 115V (SP) FOR US/CAN/BRA	chg
1	LU4104001	1	FUSER UNIT 230V (SP) FOR GER/UK/FRA/BEL/NLD/CHE/SPA/ ITA/POR/CHN/ZAF/ARG/CHL/ASA/ARL/NZ/PND/GNR	chg
1-1	LJ0395004	2	TAPTITE PAN B M4X14	DEL
1-2	LU4093001	1	FUSER REAR COVER ASSY(SP)	add

8.FUSER UNIT

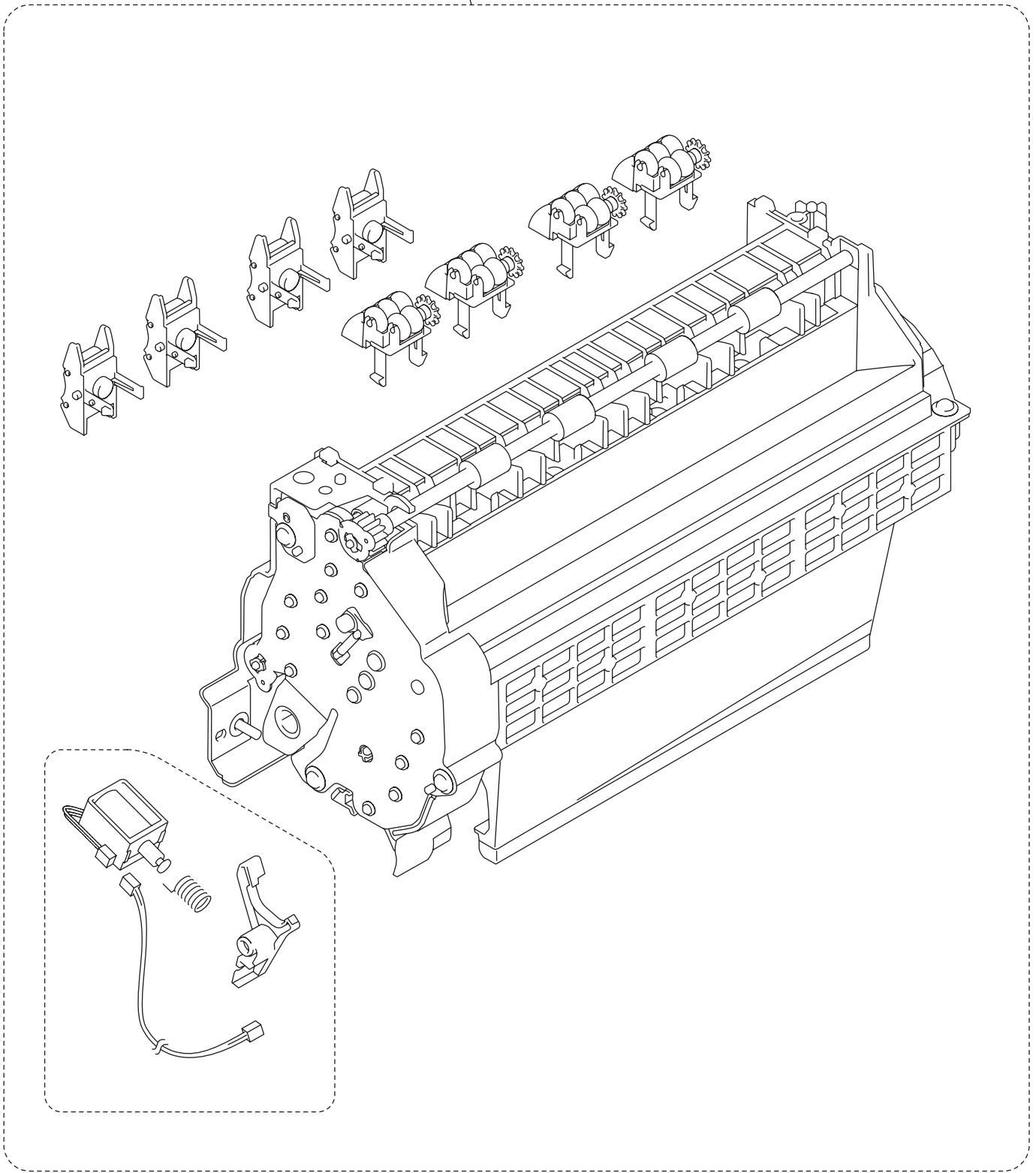


9. PAPER EJECT

REF No.	CODE	Q'TY	DESCRIPTION	REMARKS
1	LU0533001	1	PAPER EJECT ASSY DX (SP)	

9.PAPER EJECT

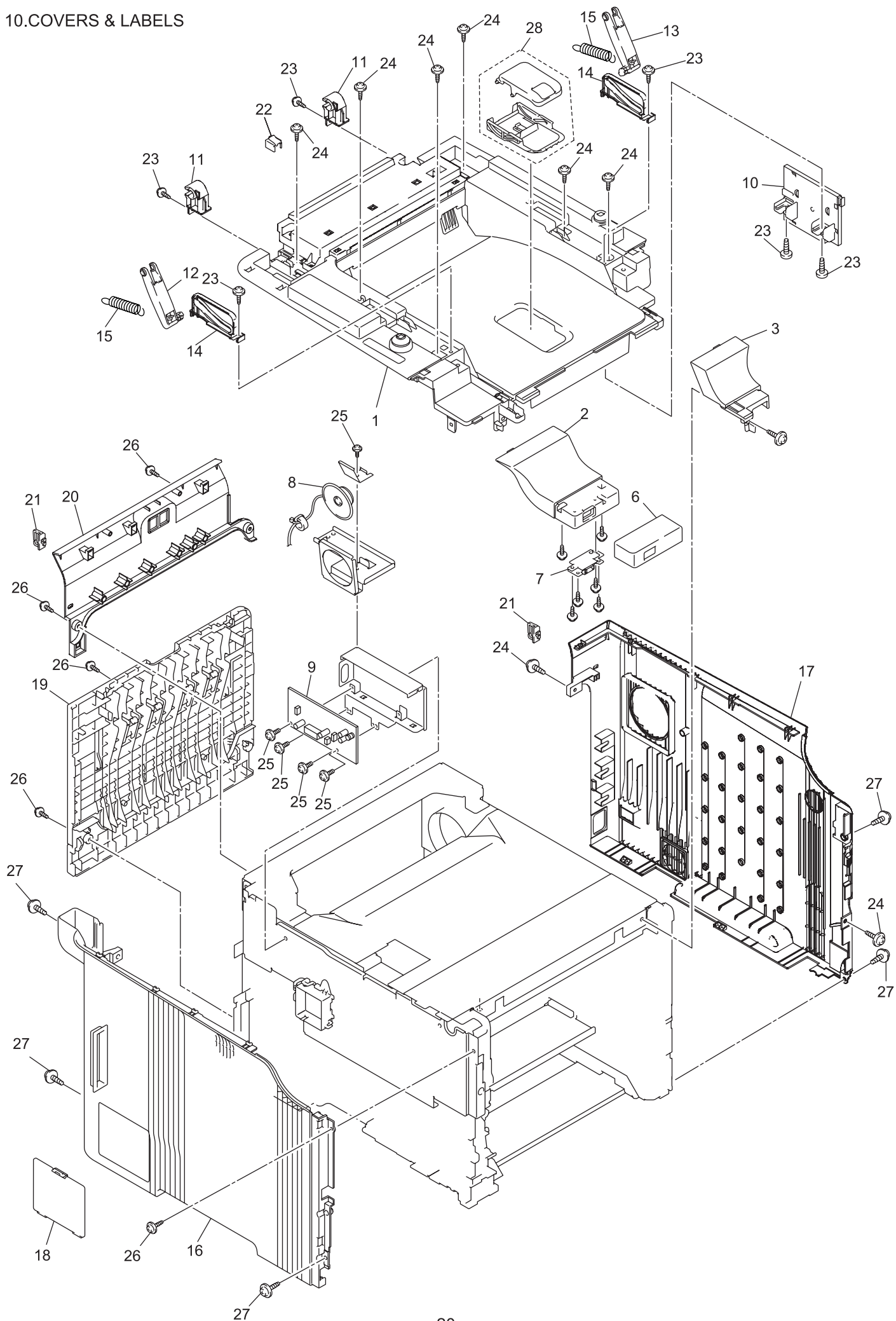
1



10. COVERS&LABELS

REF No.	CODE	Q'TY	DESCRIPTION	SYMBOL	REMARKS
1	LS0625001	1	JOINT COVER SUB ASSY		
2	LP2721001	1	JOINT COVER FL		
3	LP2722001	1	JOINT COVER FR		
4	LP2564001	4	PAPER STOPPER, BLUE(6509)		DEL
5	LP2565001	4	PAPER STOPPER GUIDE, BLUE(6509)		DEL
6	LP2819001	1	TOP COVER USB FRONT ASSY		
7	LM9332001	1	USB HOST RELAY PCB ASSY	B512252	
8	LG7270001	1	SPEAKER ASSY		
9	LG7313001	1	DRIVER PCB ASSY	B53K921	
10	LG7359001	1	WIRELESS LAN PCB ASSY, MFC9840CDW		
11	LP2726001	2	HINGE		
12	LP2727001	1	PULL ARM L		
13	LP2728001	1	PULL ARM R		
14	LP2729001	2	PULL ARM GUIDE		
15	LP2730001	2	PULL ARM SPRING ADF		
16	LP2902001	1	SIDE COVER L ASSY		
17	LP2731001	1	SIDE COVER R ASSY, DCP9045CDN		
17	LP2733001	1	SIDE COVER R ASSY, MFC9840CDW		
18	LR0516001	1	ACCESS COVER		
19	LR1361001	1	BACK COVER ASSY, GRAY(1862)		
20	LP2841001	1	BACK COVER UPPER, DCP9045CDN		
20	LP2735001	1	BACK COVER UPPER, MFC9840CDW		
21	LP2612002	2	CORD HOLDER, MFC9840CDW		
22	UF5745000	1	MJ COVER EXT, MFC9840CDW FOR GER/UK/FRA/BEL/NLD/ ITA/ZAF/PND		
23	085411216	6	TAPTITE BIND B M4X12		
24	087420816	8	TAPTITE CUP S M4X8		
25	087320616	5	TAPTITE CUP S M3X6		
26	087320816	5	TAPTITE CUP S M3X8		
27	087411216	5	TAPTITE CUP B M4X12		
28	LS1004001	1	PAPER STOPPER PACKING ASSY		ADD

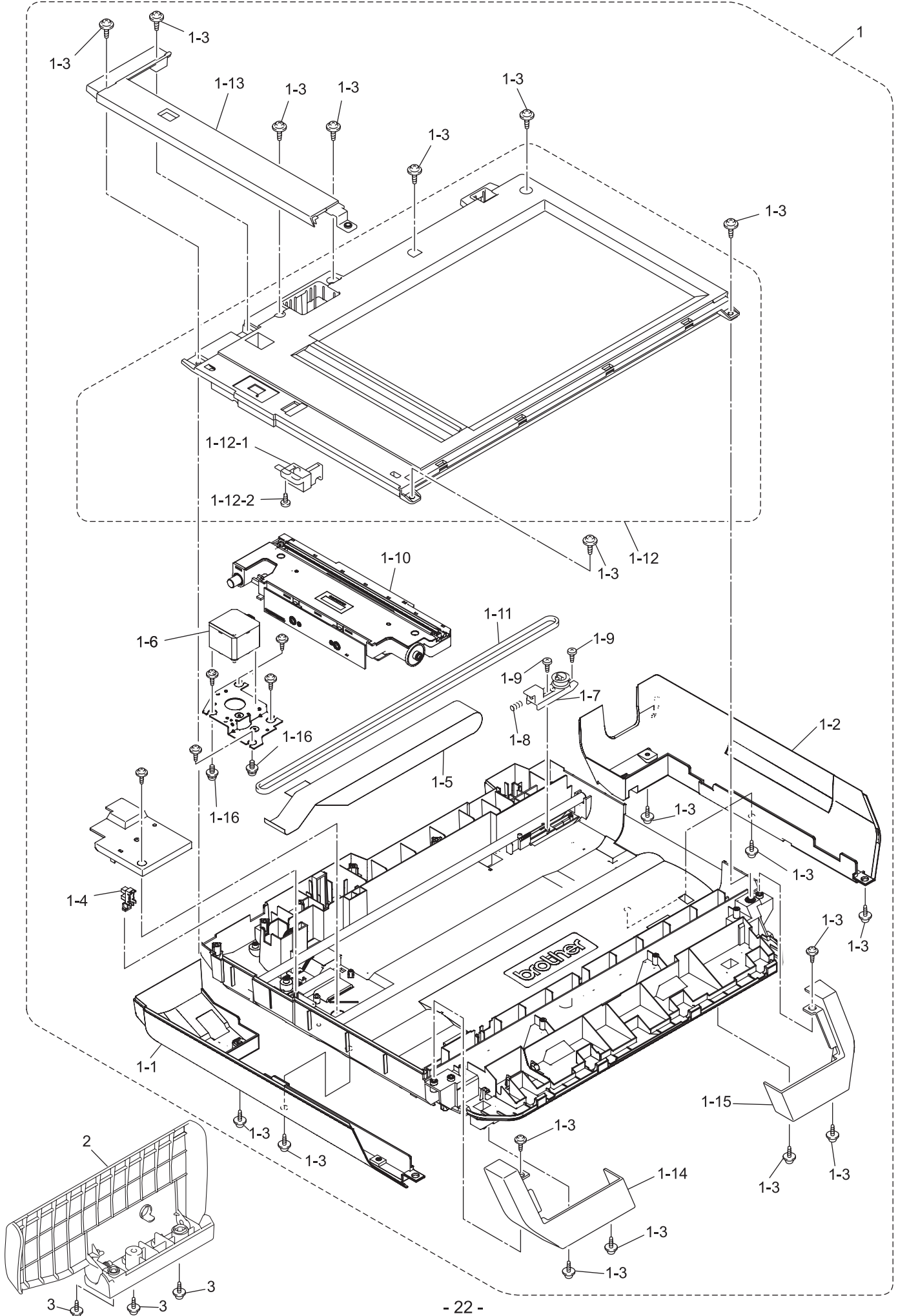
10. COVERS & LABELS



11.DOCUMENT SCANNER

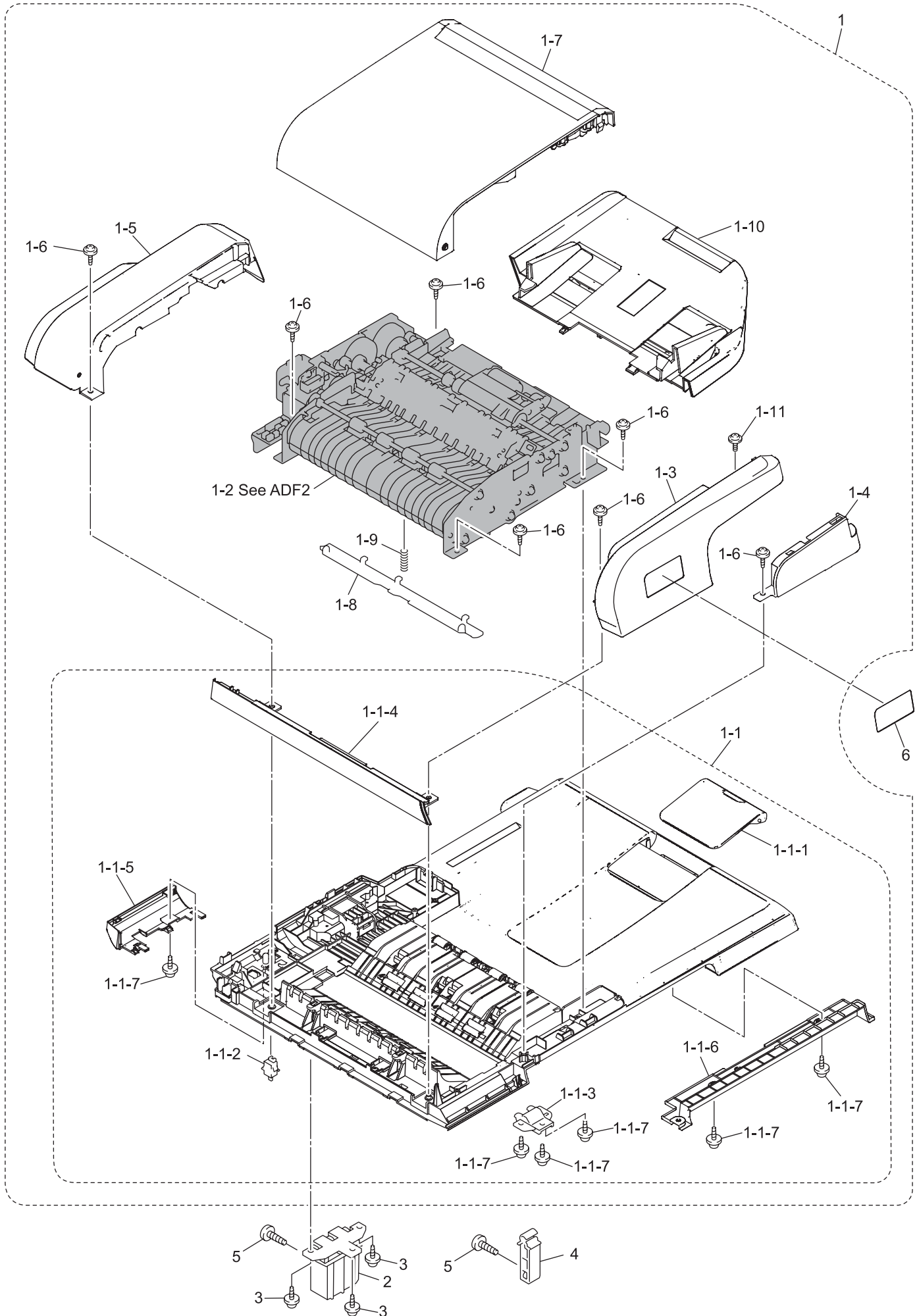
REF No.	CODE	Q'TY	DESCRIPTION	SYMBOL	REMARKS
1	LP7134001	1	DOCUMENT SCANNER UNIT(SP)		
1-1	LP2741001	1	DRESSING COVER FB BASE L		
1-2	LP2742001	1	DRESSING COVER FB BASE R		
1-3	087411216	19	TAPTITE CUP B M4X12		
1-4	LG2239001	1	PHOTO INTERRUPTER		
1-5	LP2744001	1	FFC CABLE ASSY		
1-6	LP2878001	1	SCANNING MOTOR		
1-7	LF9637001	1	PULLEY ASSY		
1-8	LE8640001	1	PULLEY SPRING		
1-9	UF5034001	2	TAPTITE B 3X6		
1-10	LS0723001	1	CCD UNIT (SP)		
1-11	LE8642001	1	CCD DRIVE BELT		
1-12	LP2750001	1	SCANNER TOP COVER ASSY		
1-12-1	LP2752001	1	LOCK LEVER ASSY		
1-12-2	UF5034001	1	TAPTITE B 3X6		
1-13	LP2757001	1	DRESSING COVER FB TOP		
1-14	LP2758001	1	DRESSING COVER FB FL		
1-15	LP2759001	1	DRESSING COVER FB FR		
1-16	0A4300605	2	SCREW PAN(S/P WASHER)M3X6		
2	LP7089001	1	HINGE PROTECTION COVER ASSY		
3	087411216	3	TAPTITE CUP B M4X12		

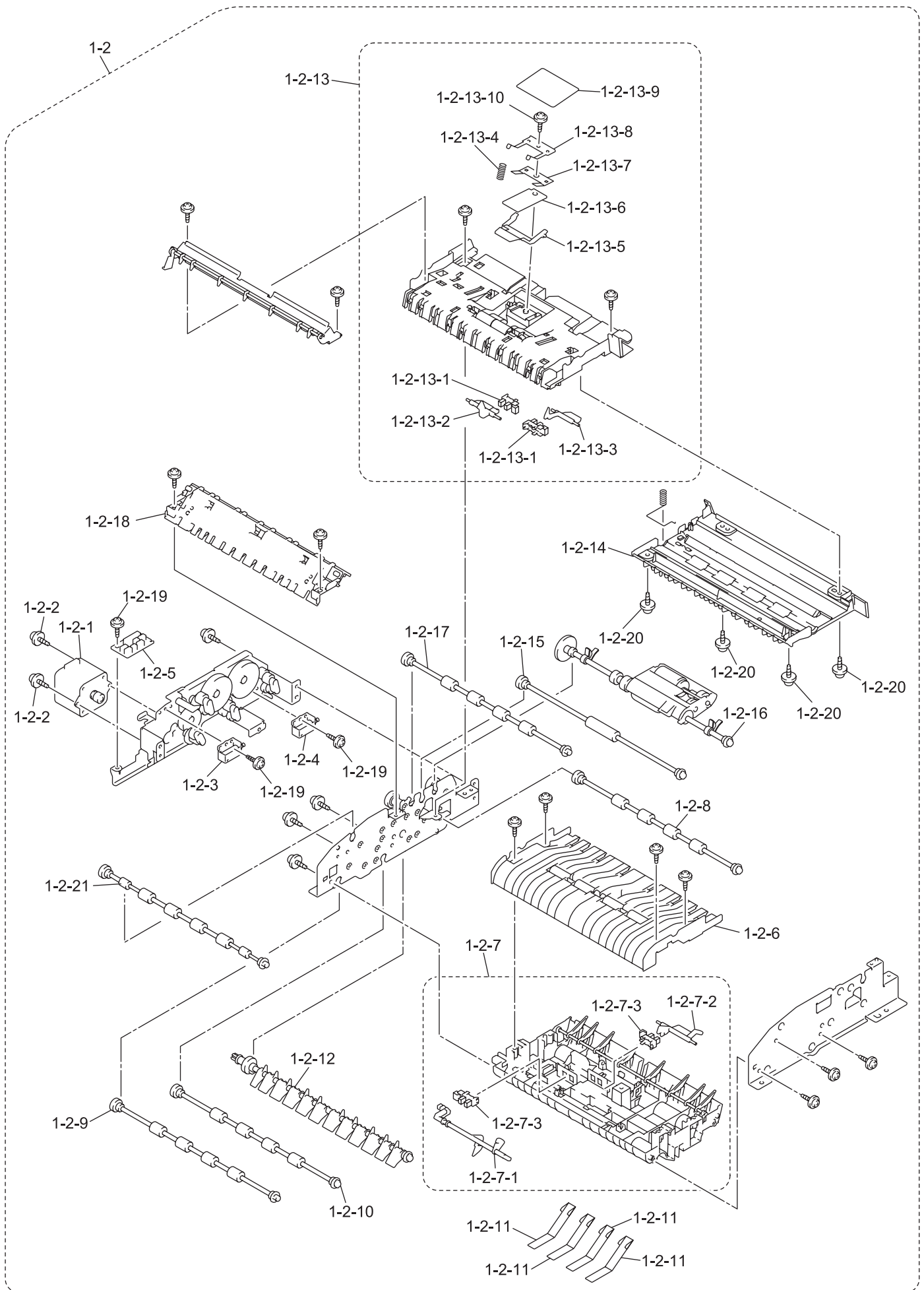
11.DOCUMENT SCANNER



12.ADF

REF No.	CODE	Q'TY	DESCRIPTION	SYMBOL	REMARKS
1	LS0507001	1	ADF UNIT(SP)		
1-1	LP2761001	1	DOCUMENT COVER SUB ASSY		
1-1-1	LP2763001	1	ADF DOCUMENT OUTPUT SUPPORT FLAP		
1-1-2	LG3218001	1	DOCUMENT COVER SENSOR		
1-1-3	LE6245001	1	HINGE BASE R		
1-1-4	LP2765001	1	DRESSING COVER ADF 1		
1-1-5	LP2766001	1	DRESSING COVER ADF 2		
1-1-6	LP2767001	1	HANDLE COVER		
1-1-7	087311016	6	TAPTITE CUP B M3X10		
1-2	LP2768001	1	ADF CHUTE ASSY		
1-2-1	LE8688001	1	ADF MOTOR		
1-2-2	0A4300605	2	SCREW PAN (S/P WASHER) M3X6		
1-2-3	LP2353001	1	S/B SOLENOID ASSY		
1-2-4	LP2354001	1	PF SOLENOID ASSY		
1-2-5	LG6537002	1	ADF RELAY PCB ASSY	B53K847	
1-2-6	LF9666001	1	UPPER MAIN CHUTE ASSY		
1-2-7	LF9741001	1	LOWER MAIN CHUTE ASSY		
1-2-7-1	LF9671001	1	ACTUATOR R		
1-2-7-2	LF9742001	1	ACTUATOR SB		
1-2-7-3	LG2239001	2	PHOTO INTERRUPTER		
1-2-8	LF9673001	1	EXIT ROLLER ASSY		
1-2-9	LF9675001	1	LF ROLLER3 ASSY		
1-2-10	LF9677001	1	LF ROLLER4 ASSY		
1-2-11	LP2347001	4	LF4 FILM		
1-2-12	LF9743001	1	FLAP A ASSY		
1-2-13	LP2775001	1	PAPER FEED CHUTE ASSY		
1-2-13-1	LG2239001	2	PHOTO INTERRUPTER		
1-2-13-2	LF9683001	1	ACTUATOR FRONT1		
1-2-13-3	LF9748001	1	ACTUATOR FRONT2		
1-2-13-4	LF9684001	1	SEPARATION SPRING		
1-2-13-5	LF9685001	1	RUBBER HOLDER		
1-2-13-6	LF9686001	1	SEPARATION RUBBER		
1-2-13-7	LP2907001	1	BACK SHEET ADF		
1-2-13-8	LE1513001	1	SPRING PLATE ADF FRONT ASSY		
1-2-13-9	LE2470001	1	ADF FILM		
1-2-13-10	UF5034001	1	TAPTITE B M3X6		
1-2-14	LP2777001	1	EXIT CHUTE COVER ASSY		
1-2-15	LP2448001	1	LF ROLLER 1 A ASSY		
1-2-16	LS1030001	1	PF ROLLER HOLDER ASSY		chg
1-2-17	LP2882001	1	SB ROLLER ASSY		
1-2-18	LF9751001	1	SB CHUTE ASSY		
1-2-19	LP2378001	3	TAPTITE CUP S M3X8 SR		
1-2-20	087311016	4	TAPTITE CUP B M3X10		
1-2-21	LS0761001	1	LF ROLLER 2 ASSY		add
1-3	LP2780001	1	ADF FRONT COVER 1		
1-4	LP2781001	1	ADF FRONT COVER 2		
1-5	LP2782001	1	ADF BACK COVER		
1-6	087311016	7	TAPTITE CUP B M3X10		
1-7	LP2783001	1	ADF COVER ASSY		
1-8	LE8834001	1	DOCUMENT HOLD ASSY		
1-9	LF2026001	1	DOCUMENT HOLD SPRING		
1-10	LP2802001	1	DOCUMENT TRAY ASSY		
1-11	LP2378001	1	TAPTITE CUP S M3X8 SR		
2	LF9703001	1	HINGE ASSY L		
3	087311016	3	TAPTITE CUP B M3X10		
4	LS7497001	1	HINGE ARM R		CHG
5	085411216	2	TAPTITE BIND B M4X12		
6	LP2842001	1	ADF EMBLEM, DCP9045CDN		
6	LP2818001	1	ADF EMBLEM, MFC9840CDW		

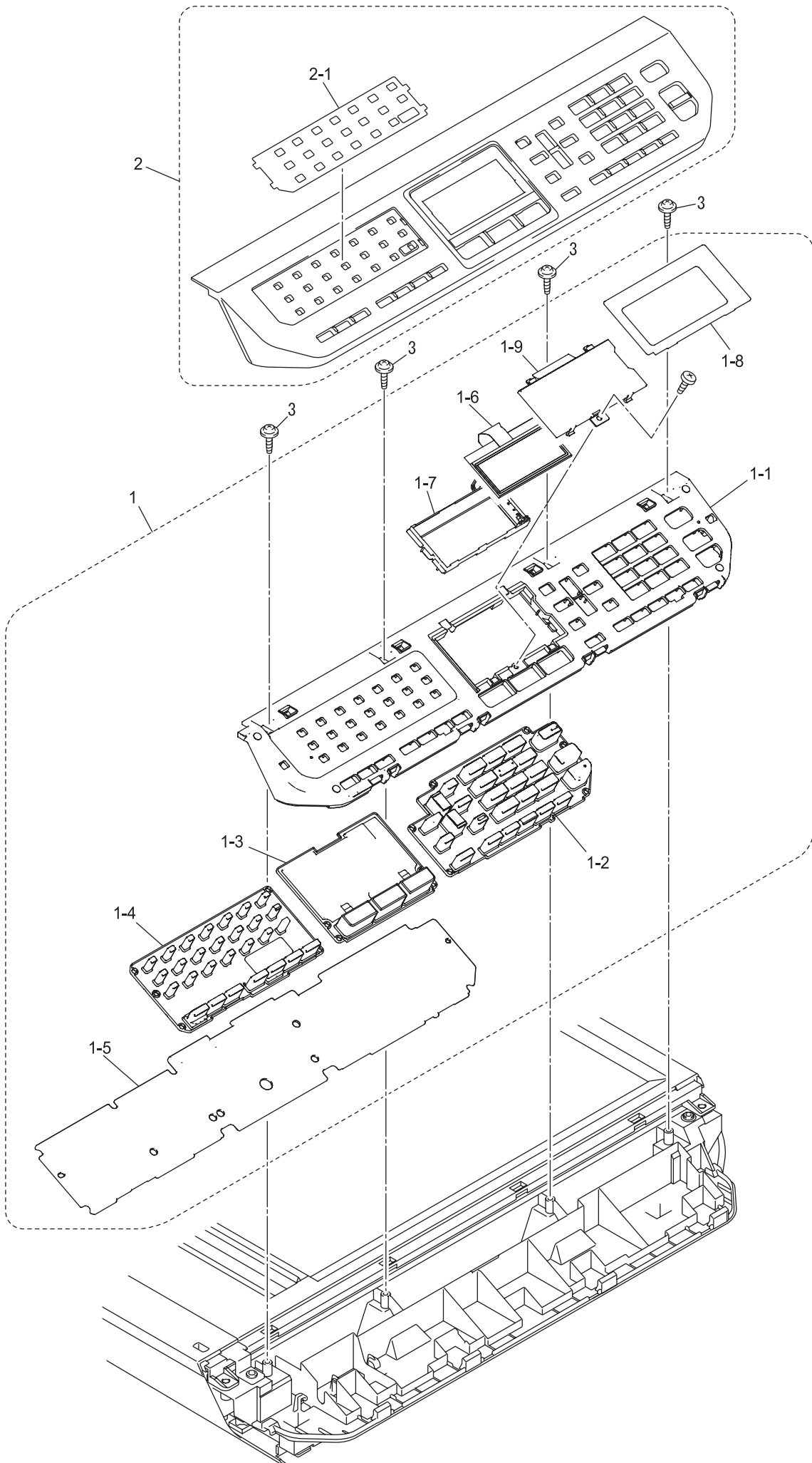




13. PANEL

REF No.	CODE	QTY	DESCRIPTION	SYMBOL	REMARKS
1	LP2807001	1	PANEL UNIT, DCP9045CDN		
1	LP2786001	1	PANEL UNIT, MFC9840CDW		
1-1	LP2808001	1	PANEL COVER, DCP9045CDN		
1-1	LP2787001	1	PANEL COVER, MFC9840CDW		
1-2	LP2809001	1	RUBBER KEY R, DCP9045CDN		
1-2	LP2788001	1	RUBBER KEY R, MFC9840CDW		
1-3	LP2811001	1	RUBBER KEY C, DCP9045CDN		
1-3	LP2790001	1	RUBBER KEY C, MFC9840CDW		
1-4	LP2814001	1	RUBBER KEY L, DCP9045CDN		
1-4	LP2792001	1	RUBBER KEY L, MFC9840CDW		
1-5	LG7303002	1	PANEL PCB ASSY, DCP9045CDN	B53K922	
1-5	LG7303001	1	PANEL PCB ASSY, MFC9840CDW	B53K922	
1-6	LG6549001	1	LCD		
1-7	LG6550001	1	BACK LIGHT MODULE		
1-8	LP7064001	1	PANEL INSULATION SHEET		
1-9	LF9709001	1	LCD COVER		
2	LP2815001	1	PRINTED PANEL COVER, DCP9045CDN FOR US		
2	LP2795001	1	PRINTED PANEL COVER, MFC9840CDW FOR US/CAN		
2	LS0753001	1	PRINTED PANEL COVER, DCP9045CDN FOR GER/CHE [GERMAN]		
2	LS1017001	1	PRINTED PANEL COVER, MFC9840CDW FOR GER/CHE [GERMAN]		
2	LS0756001	1	PRINTED PANEL COVER, DCP9045CDN FOR UK/FRA/BEL/NLD/GNR [ENGLISH]		
2	LS0986001	1	PRINTED PANEL COVER, MFC9840CDW FOR UK/FRA/BEL/NLD/ZAF/GNR [ENGLISH]		
2	LP7096001	1	PRINTED PANEL COVER, DCP9045CDN FOR FRA/BEL/NLD/CHE [FRENCH]		
2	LP7102001	1	PRINTED PANEL COVER, MFC9840CDW FOR FRA/BEL/NLD/CHE [FRENCH]		
2	LS0534001	1	PRINTED PANEL COVER, DCP9045CDN FOR FRA/BEL/NLD [DUTCH]		
2	LS0545001	1	PRINTED PANEL COVER, MFC9840CDW FOR FRA/BEL/NLD [DUTCH]		
2	LS0538001	1	PRINTED PANEL COVER, DCP9045CDN FOR SPA/POR/ARG/CHL [SPANISH]		
2	LS0550001	1	PRINTED PANEL COVER, MFC9840CDW FOR SPA/POR [SPANISH]		
2	LS0540001	1	PRINTED PANEL COVER, DCP9045CDN FOR SPA/POR [PORTUGUESE]		
2	LS0553001	1	PRINTED PANEL COVER, MFC9840CDW FOR SPA/POR [PORTUGUESE]		
2	LS0537001	1	PRINTED PANEL COVER, DCP9045CDN FOR ITA		
2	LS0548001	1	PRINTED PANEL COVER, MFC9840CDW FOR ITA		
2	LS0558001	1	PRINTED PANEL COVER, MFC9840CDW FOR ASA/ARL/NZ		
2	LS0542001	1	PRINTED PANEL COVER, DCP9045CDN FOR PND		
2	LS0556001	1	PRINTED PANEL COVER, MFC9840CDW FOR PND		
2	LS0560001	1	PRINTED PANEL COVER, MFC9840CDW FOR CHN		
2	LS0543001	1	PRINTED PANEL COVER, MFC9840CDW FOR BRA		
2-1	LP2800001	1	ADDRESS LABEL, MFC9840CDW		
3	087311016	4	TAPTITE CUP B M3X10		

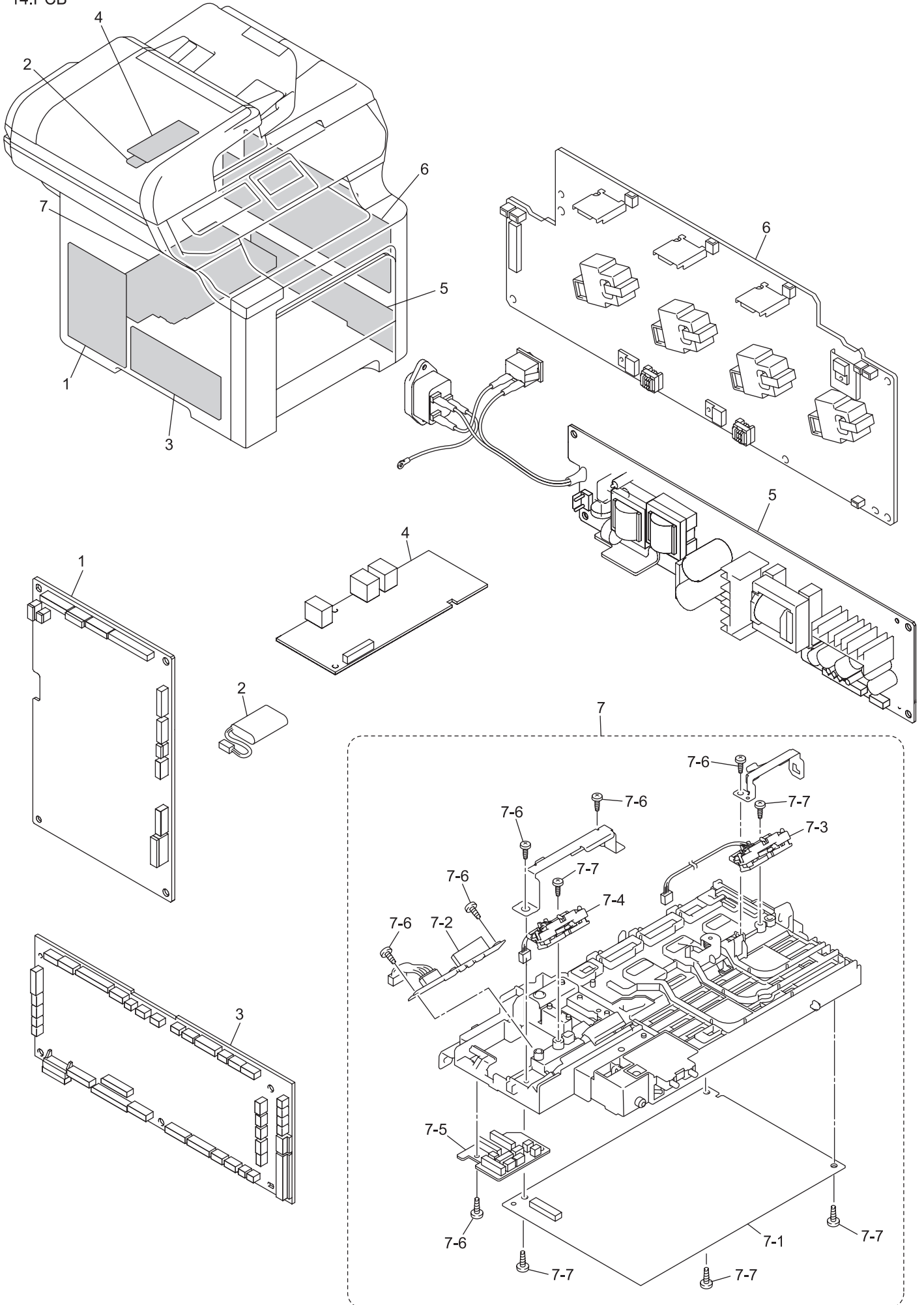
13.PANEL



14. PCB

REF No.	CODE	Q'TY	DESCRIPTION	SYMBOL	REMARKS
1	LG7306001	1	MAIN PCB ASSY, DCP9045CDN FOR US	B53K875	
1	LG7318001	1	MAIN PCB ASSY, MFC9840CDW FOR US/CAN	B53K875	
1	LG7306004	1	MAIN PCB ASSY, DCP9045CDN FOR GER/UK/FRA/BEL/NLD/ CHE/SPA/ITA/POR/ARG/CHL/PND/GNR	B53K875	
1	LG7318004	1	MAIN PCB ASSY, MFC9840CDW FOR GER/UK/FRA/BEL/NLD/ CHE/SPA/ITA/POR/CHN/ZAF/ASA/BRA/ARL/NZ/PND/GNF	B53K875	
2	LG5921001	1	BATTERY ASSY		
3	LV0378001	1	ENGINE PCB ASSY	B512250	chg
4	LT0867001	1	NCU PCB ASSY, MFC9840CDW FOR US	B57T013	CHG
4	LT0867002	1	NCU PCB ASSY, MFC9840CDW FOR CAN	B57T013	CHG
4	LG5923054	1	NCU PCB ASSY, MFC9840CDW FOR GER	B53K786	
4	LG5923065	1	NCU PCB ASSY, MFC9840CDW FOR UK/FRA/BEL/NLD/SPA/ ITA/POR/ZAF/PND/GNR	B53K786	
4	LG5923056	1	NCU PCB ASSY, MFC9840CDW FOR CHE	B53K786	
4	LG6190005	1	NCU PCB ASSY, MFC9840CDW FOR ASA/CHN	B53K786	
4	LG6198003	1	NCU PCB ASSY, MFC9840CDW FOR ARL/NZ	B53K786	
4	LG6190006	1	NCU PCB ASSY, MFC9840CDW FOR BRA	B53K786	
5	LM9246001	1	PS PCB UNIT 115V FOR US/CAN/BRA		
5	LM9287001	1	PS PCB UNIT 230V FOR GER/UK/FRA/BEL/NLD/CHE/SPA/ITA/ POR/ZAF/ARG/CHL/ARL/NZ/PND/GNR		
5	LG7446001	1	PS PCB UNIT 230V FOR ASA		
5	LG7444001	1	PS PCB UNIT 230V FOR CHN		
6	LM9506001	1	CHARGE HVPS PCB ASSY		
7	LR0902001	1	TRANSFER HVPS PCB UNIT		
7-1	LM9253001	1	TRANSFER HVPS PCB ASSY		
7-2	LM9224001	1	DENSITY SENSOR		
7-3	LM9446001	1	REGISTRATION-MARK SENSOR PCB ASSY1		
7-4	LM9448001	1	REGISTRATION-MARK SENSOR PCB ASSY2		
7-5	LM9445001	1	REGISTRATION RELAY PCB ASSY		
7-6	085310816	6	TAPTITE BIND B M3X8		
7-7	087311016	5	TAPTITE CUP B M3X10		

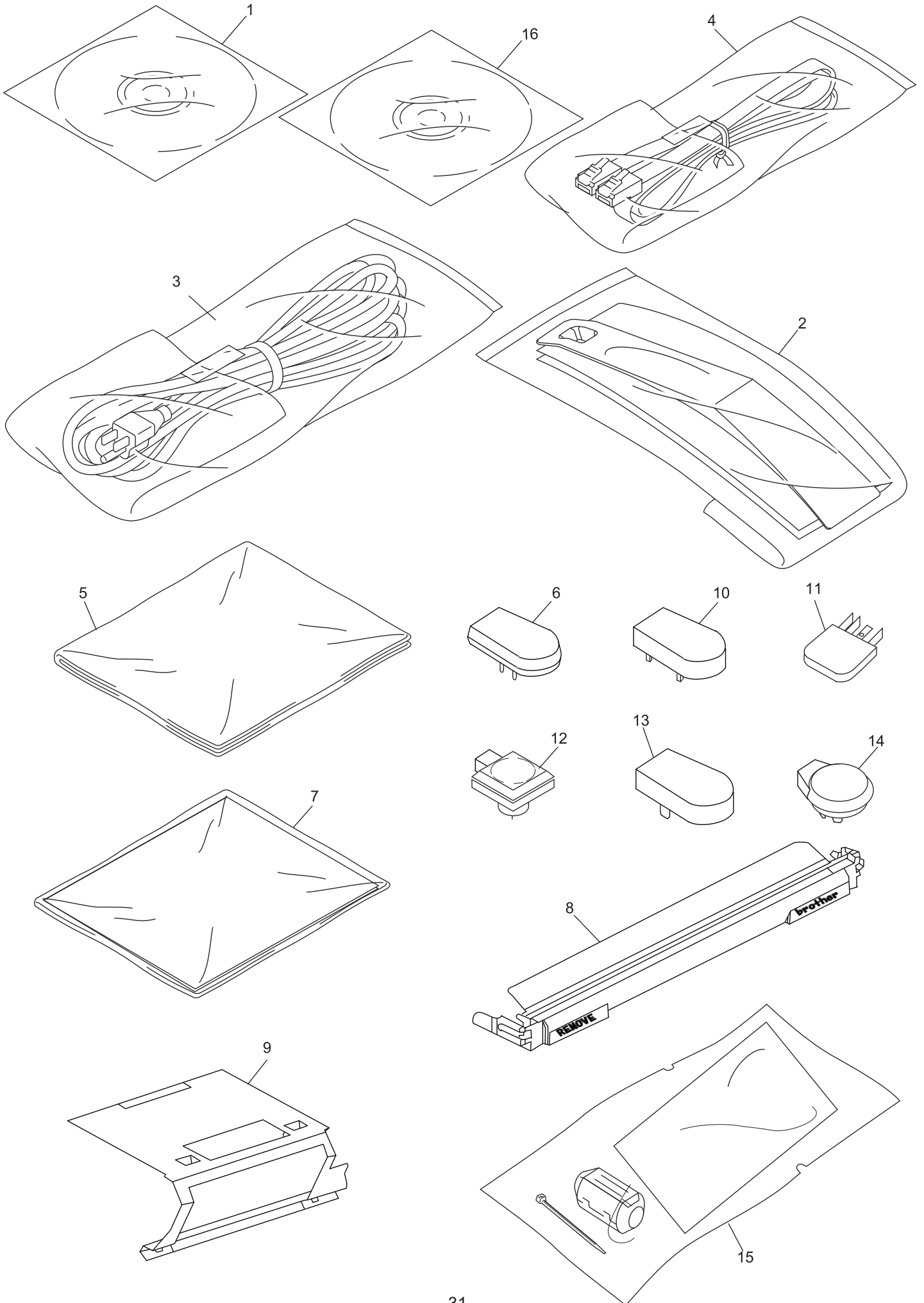
14.PCB



15. ACCESSORIES

REF No.	CODE	Q'TY	DESCRIPTION	REMARKS
1	LP2956001	1	CD ROM ASSY (Windows), DCP9045CDN FOR US	
1	LP2957001	1	CD ROM ASSY (Windows), MFC9840CDW FOR US/CAN	
1	LP2958001	1	CD ROM ASSY (Macintosh), DCP9045CDN FOR US	
1	LP2959001	1	CD ROM ASSY (Macintosh), MFC9840CDW FOR US/CAN	
1	LS0735001	1	CD ROM ASSY (Windows), DCP9045CDN FOR GER/UK/CHE/GNR	
1	LS0819001	1	CD ROM ASSY (Windows), MFC9840CDW FOR GER/UK/CHE/ZAF/ASA/ARL/NZ/GNR	
1	LS0737001	1	CD ROM ASSY (Windows), DCP9045CDN FOR FRA/BEL/NLD	
1	LS0821001	1	CD ROM ASSY (Windows), MFC9840CDW FOR FRA/BEL/NLD	
1	LS0736001	1	CD ROM ASSY (Windows), DCP9045CDN FOR SPA/ITA/POR/ARG/CHL	
1	LS1211001	1	CD ROM ASSY (Windows), MFC9840CDW FOR SPA/ITA/POR/BRA	chg
1	LS0738001	1	CD ROM ASSY (Windows), DCP9045CDN FOR PND	
1	LS0822001	1	CD ROM ASSY (Windows), MFC9840CDW FOR PND	
1	LS0858001	1	CD ROM ASSY (Windows), MFC9840CDW FOR CHN	
1	LS0860001	1	CD ROM ASSY (Macintosh), MFC9840CDW FOR CHN	
1	LS0740001	1	CD ROM ASSY (Macintosh), DCP9045CDN FOR GER/UK/FRA/BEL/NLD/CHE/SPA/ITA/POR/PND/ARG/CHL/GNR	
1	LS0824001	1	CD ROM ASSY (Macintosh), MFC9840CDW FOR GER/UK/FRA/BEL/NLD/CHE/SPA/ITA/POR/ZAF/ASA/BRA/ARL/NZ/PND/GNR	
2	LP2997001	1	OUTPUT TRAY ATTACHMENT ASSY	
3	LM9362001	1	AC CORD BAG ASSY UL FOR US/CAN	
3	LV0364001	1	AC CORD BAG ASSY VDE S FOR GER/FRA/BEL/NLD/SPA/ITA/POR/ASA/PND/GNR	CHG
3	LG6208001	1	AC CORD BAG ASSY BS FOR UK/ASA	
3	LG4718001	1	AC CORD BAG ASSY SEV FOR CHE	
3	LJ9353001	1	AC CORD BAG ASSY LF CHN FOR CHN	
3	LG6404001	1	AC CORD BAG ASSY LF SAF FOR ZAF	
3	LT0925001	1	AC CORD BAG ASSY LF ARG FOR ARG	chg
3	LG6207001	1	AC CORD BAG ASSY LF CHILE FOR CHL	
3	LV0371001	1	AC CORD BAG ASSY LF BRZ FOR BRA	chg
3	LJ9667001	1	AC CORD BAG ASSY SAA FOR ARL/NZ	
3	LG4720001	1	AC CORD BAG ASSY DEMKO FOR PND	
4	LG3077001	1	TELEPHONE LINE CORD CSA, MFC9840CDW FOR US/CAN/UK/FRA/BEL/NLD/SPA/POR/CHN/ZAF/ASA/BRA/ARL/NZ/GNR	
4	UG3625001	1	TELEPHONE LINE CORD GER, MFC9840CDW FOR GER	
4	UG4205001	1	TELEPHONE LINE CORD AUS, MFC9840CDW FOR GER	
4	UG3626001	1	TELEPHONE LINE CORD UK6P, MFC9840CDW FOR UK	
4	UG3627001	1	TELEPHONE LINE CORD FRA, MFC9840CDW FOR FRA/BEL/NLD	
4	UG1575001	1	TELEPHONE LINE CORD BEL, MFC9840CDW FOR FRA/BEL/NLD	
4	LG7202001	1	TELEPHONE LINE CORD SWI, MFC9840CDW FOR CHE	
4	UG3634001	1	TELEPHONE LINE CORD ITA, MFC9840CDW FOR ITA	
4	UG3290001	1	TELEPHONE LINE CORD, MFC9840CDW FOR ARL/NZ	
4	LG5827001	1	TELEPHONE LINE CORD RJ45, MFC9840CDW FOR PND	
5	LR1712001	1	WASTER TONER BOX REPACKING BAG	
6	UG1573000	1	TELEPHONE PLUG BEL, MFC9840CDW FOR FRA/BEL/NLD	
7	LR1892001	1	DRUM CLEANING SHEET KIT	
8	LU4331001	1	TONER CARTRIDGE PROTECTIVE COVER	chg
9	LU4055001	1	DRUM UNIT REMOVE SHEET	chg
10	LG3622001	1	TELEPHONE PLUG DUT, MFC9840CDW FOR FRA/BEL/NLD	
11	LG6573001	1	TELEPHONE PLUG ARL, MFC9840CDW FOR ARL/NZ	chg
12	LG5829001	1	TELEPHONE PLUG FIN, MFC9840CDW FOR PND	
13	LG5828001	1	TELEPHONE PLUG DEN, MFC9840CDW FOR PND	
14	LG5830001	1	TELEPHONE PLUG SWE, MFC9840CDW FOR PND	
15	LT0923001	1	FERRITE CORE BAG ASSY, DCP9045CDN/MFC9840CDW FOR GER/UK/FRA/BEL/NLD/CHE/SPA/ITA/POR/CHN/ZAF/ARG/CHL/ASA/ARL/NZ/PND/GNR	add
16	LS3670001	1	CD ROM ASSY (Windows7), DCP9045CDN/MFC9840CDW FOR US/CAN	add
16	LS3671001	1	CD ROM ASSY (Windows7), DCP9045CDN/MFC9840CDW FOR GER/UK/CHE/ZAF/ASA/ARL/NZ/GNR	add
16	LS3672001	1	CD ROM ASSY (Windows7), DCP9045CDN/MFC9840CDW FOR SPA/POR/ITA/ARG/CHL/BRA	add
16	LS3673001	1	CD ROM ASSY (Windows7), DCP9045CDN/MFC9840CDW FOR FRA/BEL/NLD	add
16	LS3677001	1	CD ROM ASSY (Windows7), MFC9840CDW FOR CHN	add
16	LS3674001	1	CD ROM ASSY (Windows7), DCP9045CDN/MFC9840CDW FOR PND	add

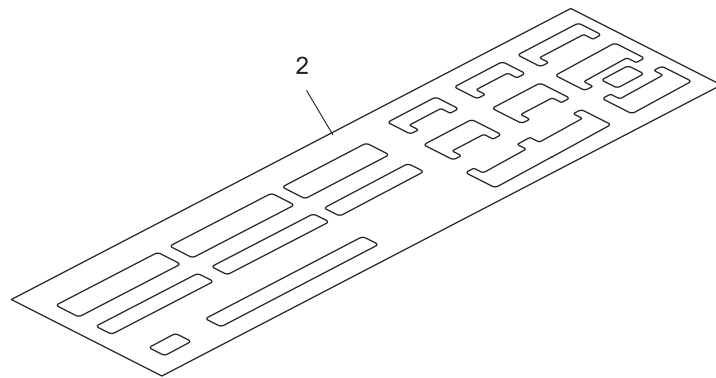
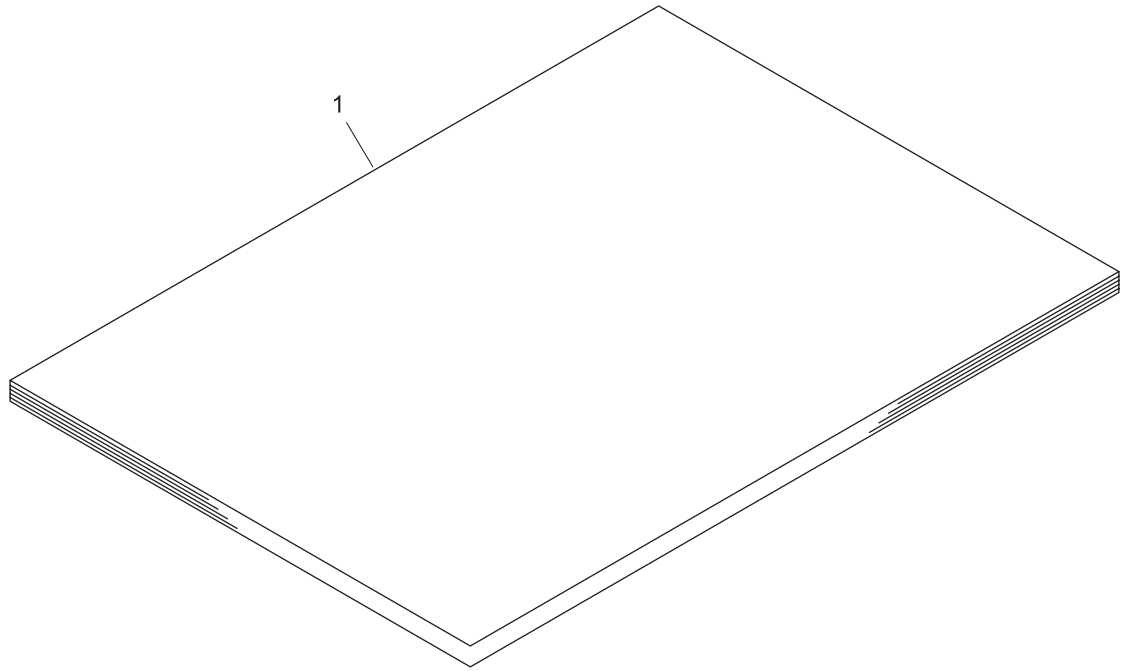
15.ACCESSORIES



16.PRINTED MATERIAL

REF No.	CODE	QTY	DESCRIPTION	REMARKS
1	LS3217001	1	USER'S GUIDE, DCP9045CDN FOR US [ENGLISH]	CHG
1	LS3218001	1	USER'S GUIDE, MFC9840CDW FOR US/CAN [ENGLISH]	CHG
1	LP7074002	1	USER'S GUIDE, MFC9840CDW FOR CAN [FRENCH]	
1	LS0963003	1	USER'S GUIDE, MFC9840CDW FOR GER/CHE [GERMAN]	
1	LS0963004	1	USER'S GUIDE, MFC9840CDW FOR UK/ZAF/GNR [ENGLISH]	
1	LS0963005	1	USER'S GUIDE, MFC9840CDW FOR FRA/BEL/NLD/CHE [FRENCH]	
1	LS0963009	1	USER'S GUIDE, MFC9840CDW FOR FRA/BEL/NLD [DUTCH]	
1	LS0963015	1	USER'S GUIDE, MFC9840CDW FOR SPA/POR [SPANISH]	
1	LS0963018	1	USER'S GUIDE, MFC9840CDW FOR SPA/POR [PORTUGUESE]	
1	LS0963016	1	USER'S GUIDE, MFC9840CDW FOR ITA	
1	LS0963020	1	USER'S GUIDE, MFC9840CDW FOR CHN	
1	LS1066031	1	USER'S GUIDE, DCP9045CDN FOR ARG/CHL	
1	LS0963040	1	USER'S GUIDE, MFC9840CDW FOR ASA/ARL/NZ	
1	LS0963042	1	USER'S GUIDE, MFC9840CDW FOR BRA	
1	LS1012007	1	USER'S GUIDE, MFC9840CDW FOR PND [NORWEGIAN,SWEDISH]	
1	LS1013013	1	USER'S GUIDE, MFC9840CDW FOR PND [DANISH,FINNISH]	
2	LP7193001	1	FRENCH SHEET, MFC9840CDW FOR CAN	

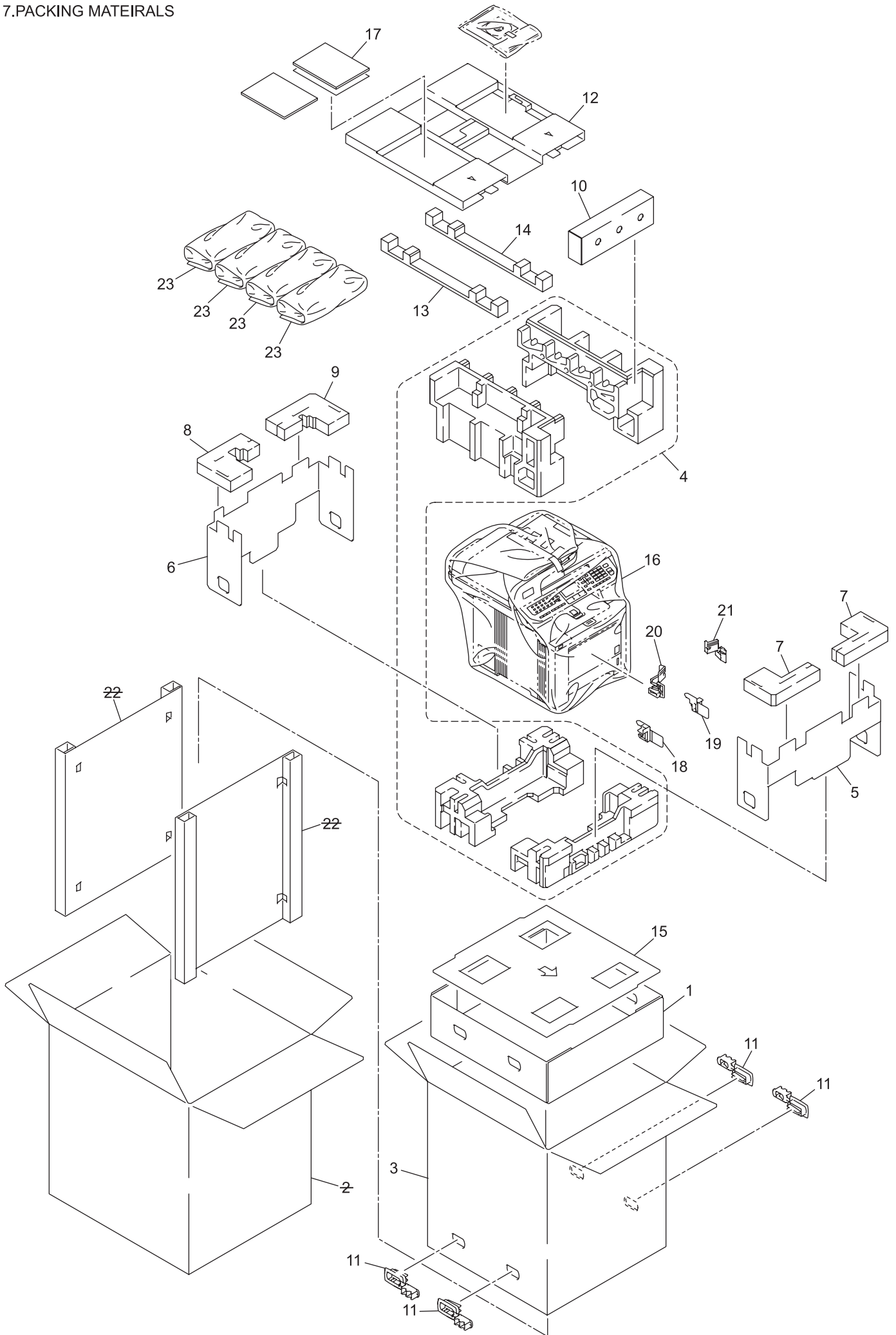
16.PRINTED MATERIAL



17. PACKING MATERIALS

REF No.	CODE	QTY	DESCRIPTION	REMARKS
1	LP2845001	1	CARTON BOTTOM	
2	LP7158004	4	CARTON OUTER, DCP9045CDN FOR US	del
2	LP7185004	4	CARTON OUTER, MFC9840CDW FOR US	del
3	LP7188004	4	CARTON BROTHER FOR US	del
3	LS3219001	1	CARTON BROTHER, DCP9045CDN FOR US/ARG	add
3	LS3221001	1	CARTON BROTHER, MFC9840CDW FOR US	add
3	LP7190001	1	CARTON BROTHER, MFC9840CDW FOR CAN/BRA	
3	LS0743001	1	CARTON BROTHER, DCP9045CDN FOR GER/UK/FRA/BEL/NLD/CHE/SPA/ITA/POR/CHL/PND/GNR	
3	LS0879001	1	CARTON BROTHER, MFC9840CDW FOR GER/UK/FRA/BEL/NLD/CHE/SPA/ITA/POR/PND/GNR	
3	LS0855001	1	CARTON BROTHER, MFC9840CDW FOR CHN	
3	LS3568001	1	CARTON BROTHER, MFC9840CDW FOR ZAF	
3	LS0981001	1	CARTON BROTHER, MFC9840CDW FOR ASA/ARL/NZ	
4	LS1256001	1	PAD ASSY	chg
5	LS1261001	1	CARTON PAD FRONT	chg
6	LS1262001	1	CARTON PAD REAR	chg
7	LS1263001	1	MIDDLE PAD FRONT 1	chg
7	LS1264001	1	MIDDLE PAD FRONT 2	chg
8	LS1265001	1	MIDDLE PAD REAR 1	chg
9	LS1266001	1	MIDDLE PAD REAR 2	chg
10	LP2900001	1	CARTON CORD BOX	
11	LS1177001	4	CARTON JOINT	chg
12	LP2868001	1	OPTION CARTON	
13	LP2869001	1	OPTION PAD L	
14	LP2870001	1	OPTION PAD R	
15	LP2872001	1	CARTON PAD	
16	LP2861001	1	BAG 1100X1200	
17	LP7159001	1	QUICK SETUP GUIDE, DCP9045CDN FOR US [ENGLISH]	
17	LP7059001	1	QUICK SETUP GUIDE, MFC9840CDW FOR US/CAN [ENGLISH]	
17	LP7059002	1	QUICK SETUP GUIDE, MFC9840CDW FOR CAN [FRENCH]	
17	LS0750003	1	QUICK SETUP GUIDE, DCP9045CDN FOR GER/CHE [GERMAN]	
17	LS0964003	1	QUICK SETUP GUIDE, MFC9840CDW FOR GER/CHE [GERMAN]	
17	LS0750004	1	QUICK SETUP GUIDE, DCP9045CDN FOR UK/GNR [ENGLISH]	
17	LS0964004	1	QUICK SETUP GUIDE, MFC9840CDW FOR UK/ZAF/GNR [ENGLISH]	
17	LS0750005	1	QUICK SETUP GUIDE, DCP9045CDN FRA/BEL/NLD/CHE [FRENCH]	
17	LS0964005	1	QUICK SETUP GUIDE, MFC9840CDW FRA/BEL/NLD/CHE [FRENCH]	
17	LS0750009	1	QUICK SETUP GUIDE, DCP9045CDN FRA/BEL/NLD [DUTCH]	
17	LS0964009	1	QUICK SETUP GUIDE, MFC9840CDW FRA/BEL/NLD [DUTCH]	
17	LS0750015	1	QUICK SETUP GUIDE, DCP9045CDN FOR SPA/POR [SPANISH]	
17	LS0964015	1	QUICK SETUP GUIDE, MFC9840CDW FOR SPA/POR [SPANISH]	
17	LS0750018	1	QUICK SETUP GUIDE, DCP9045CDN FOR SPA/POR [PORTUGUESE]	
17	LS0964018	1	QUICK SETUP GUIDE, MFC9840CDW FOR SPA/POR [PORTUGUESE]	
17	LS0750016	1	QUICK SETUP GUIDE, DCP9045CDN FOR ITA	
17	LS0964016	1	QUICK SETUP GUIDE, MFC9840CDW FOR ITA	
17	LS0964020	1	QUICK SETUP GUIDE, MFC9840CDW FOR CHN	
17	LS0750031	1	QUICK SETUP GUIDE, DCP9045CDN FOR ARG/CHL	
17	LS0964040	1	QUICK SETUP GUIDE, MFC9840CDW FOR ASA/ARL/NZ	
17	LS0964042	1	QUICK SETUP GUIDE, MFC9840CDW FOR BRA	
17	LS0750007	1	QUICK SETUP GUIDE, DCP9045CDN FOR PND [NORWEGIAN]	
17	LS0964007	1	QUICK SETUP GUIDE, MFC9840CDW FOR PND [NORWEGIAN]	
17	LS0750012	1	QUICK SETUP GUIDE, DCP9045CDN FOR PND [FINNISH]	
17	LS0964012	1	QUICK SETUP GUIDE, MFC9840CDW FOR PND [FINNISH]	
17	LS0750013	1	QUICK SETUP GUIDE, DCP9045CDN FOR PND [DANISH]	
17	LS0964013	1	QUICK SETUP GUIDE, MFC9840CDW FOR PND [DANISH]	
17	LS0750026	1	QUICK SETUP GUIDE, DCP9045CDN FOR PND [SWEDISH]	
17	LS0964026	1	QUICK SETUP GUIDE, MFC9840CDW FOR PND [SWEDISH]	
18	LU4075001	1	BELT LOCK L ASSY	chg
19	LU4076001	1	BELT LOCK R ASSY	chg
20	LR1332001	1	DRUM STOPPER L	
21	LR1333001	1	DRUM STOPPER R	
22	LP2785004	2	CARTON SPACER FOR US	del
23	LR1705001	4	TONER REPACKING BAG	

17.PACKING MATEIRALS



18. PERIODICAL MAINTENANCE PART

REF No.	CODE	Q'TY	DESCRIPTION	REMARKS
1	LR1919001	1	PAPER FEED KIT	
2	LR1920001	1	MP PAPER FEED KIT	

18.PERIODICAL MAINTENANCE PART

