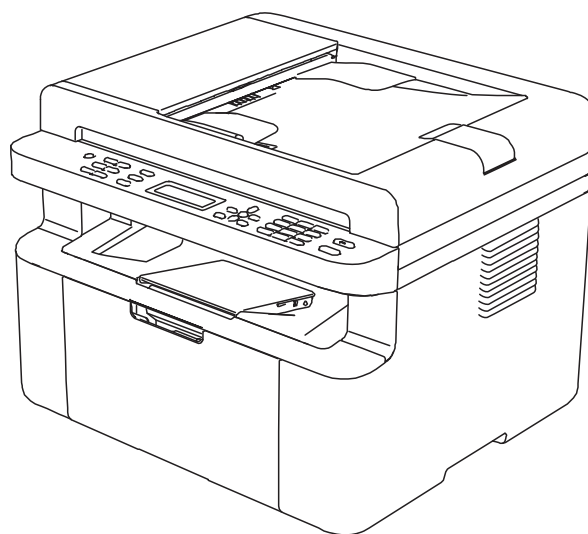
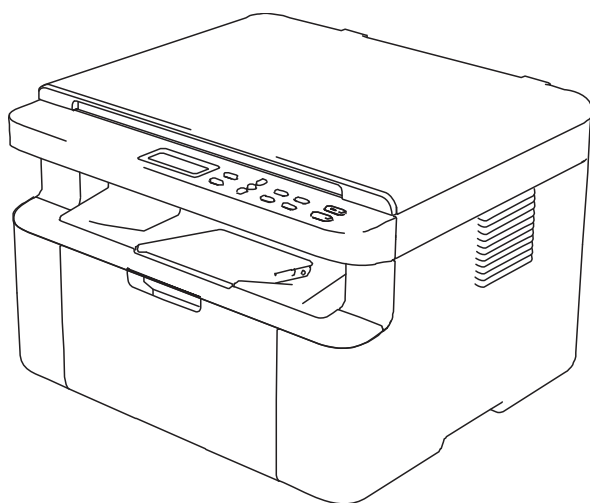




Laser MFC

PARTS REFERENCE LIST

Models:
**DCP-1610W/1612W/1615NW/1616NW/
1617NW/1618W/1622W**
**MFC-1910W/1911W/1911NW/1912W/
1915W/1916NW/1919NW**



Read this list thoroughly before maintenance work.

Keep this list in a convenient place for quick and easy reference at all times.

NOTE FOR USING THIS PARTS REFERENCE LIST

1. In the case of ordering parts, it is necessary to mention the following items:

- (1) Code
- (2) Q'ty
- (3) Description

<Example>

	(1)	(2)	(3)			
REFNo.	CODE	Q'TY	DESCRIPTION	MODEL	SPEC	REMARKS

2. Design-changed parts:

If any of the parts code is changed in this Parts List, one of the following symbols is indicated in the REMARK column.

- CHG (chg): The part code is changed for a new one in this Parts List.
 - ADD (add): The part code is newly added in this Parts List.
 - DEL (del) : The part code is deleted in this Parts List.
- Symbol in capital letters indicates the latest parts change information in the page.

3. Parts change will be informed by the Parts change information.

4. Parts are subject to change in design without prior notice.

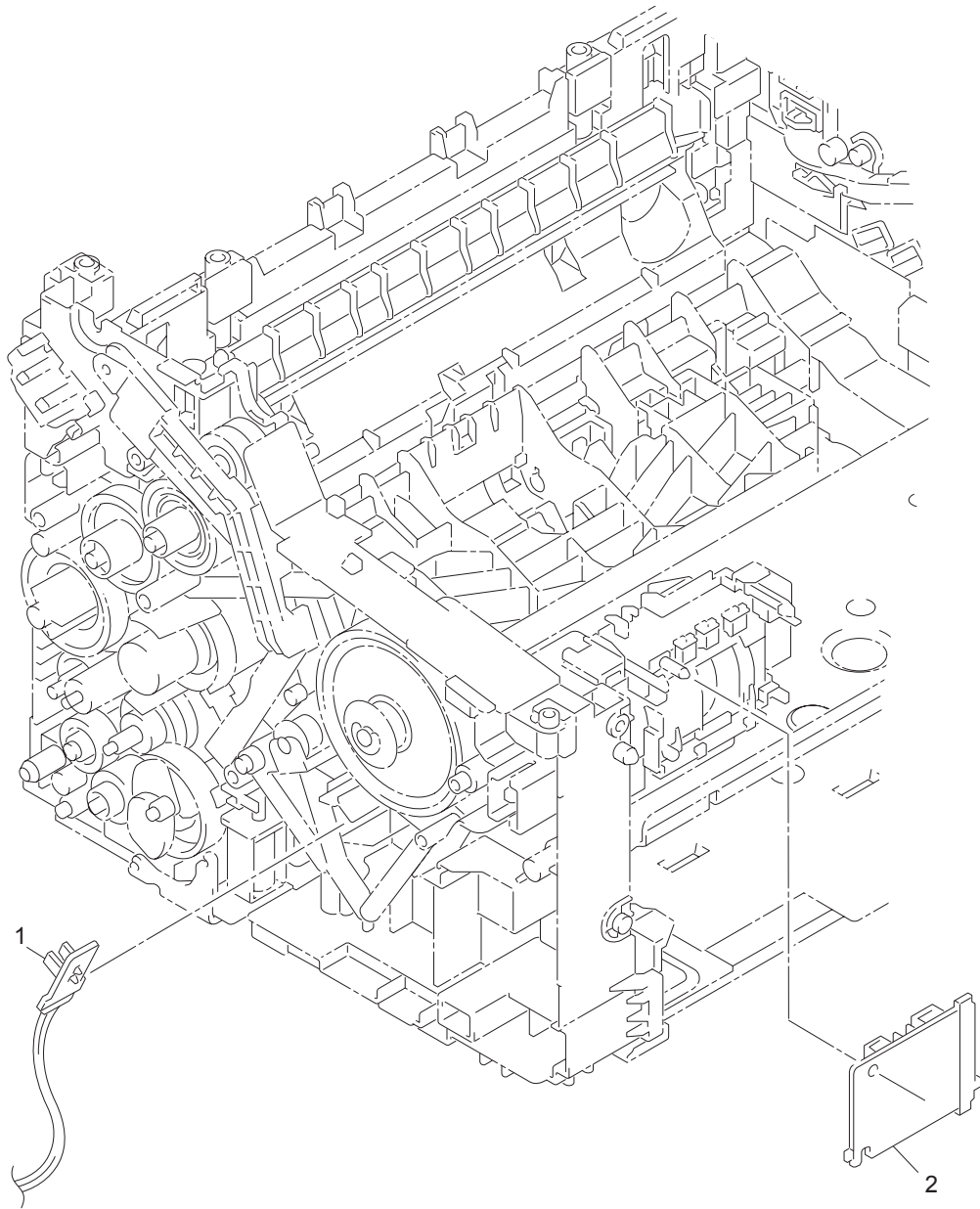
COUNTRIES & AREAS

ARG ---- ARGENTINA	MEX ---- MEXICO
BEL ---- BELGIUM	MYS ---- MALAYSIA
CAN ---- CANADA	NLD ---- NETHERLANDS
CEE ---- CEE GENERAL	OCE ---- OCEANIA(AUSTRALIA & NEW ZEALAND)
CHE ---- SWITZERLAND	PER ---- PERU
CHL ---- CHILE	PHL ---- PHILIPPINES
CHN ---- CHINA	PND ---- PAN-NORDIC
FRA ---- FRANCE	(NORWAY/FINLAND/DENMARK/SWEDEN)
GER ---- GERMANY	POL ---- POLAND
IBR ---- IBERIA (SPAIN & PORTUGAL)	RUS ---- RUSSIA
IDN ---- INDONESIA	SAF ---- SOUTH AFRICA
IND ---- INDIA	TWN ---- TAIWAN
ISR ---- ISRAEL	THA ---- THAILAND
ITA ---- ITALY	TUR ---- TURKEY
KOR ---- KOREA	UAE ---- UNITED ARAB EMIRATES
MENA --- MIDDLE EAST ANDNORTH AFRICA	UK ---- UNITED KINGDOM
VNM --- VIETNAM	

CONTENTS

1.	<u>FRAME L & DRIVE UNIT</u>	1
2.	<u>PAPER FEEDER</u>	3
3.	<u>FRAME</u>	5
4.	<u>LASER UNIT</u>	7
5.	<u>FUSER UNIT</u>	9
6.	<u>COVERS & LABELS</u>	11
7.	<u>DOCUMENT SCANNER</u>	15
8.	<u>ADF & DOCUMENT COVER ASSY</u>	17
9.	<u>PANEL</u>	20
10.	<u>PCB</u>	23
11.	<u>ACCESSORIES</u>	27
12.	<u>PRINTED MATERIALS</u>	29
13.	<u>PACKING MATERIALS</u>	32

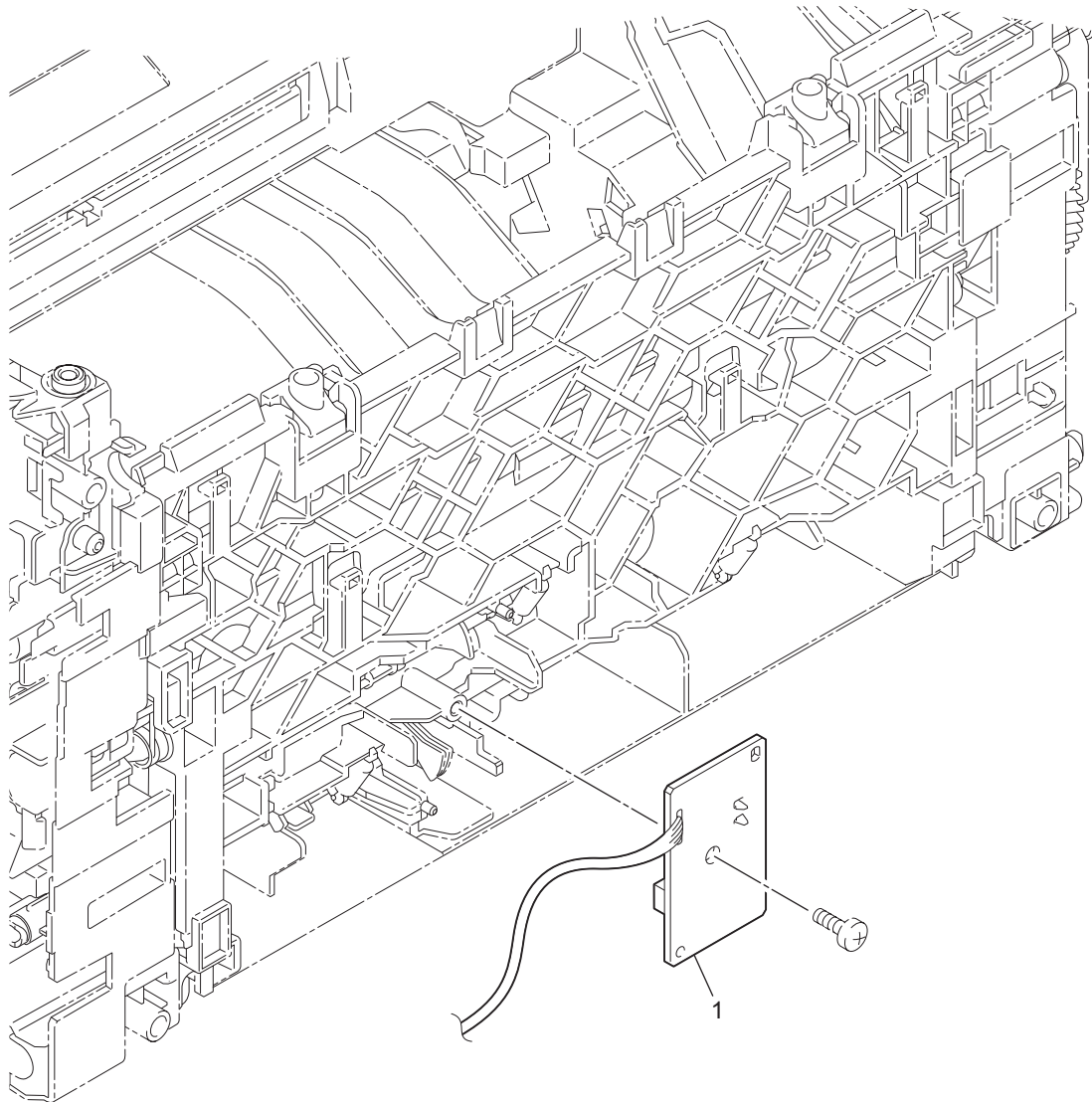
1. FRAME L & DRIVE UNIT



1. FRAME L & DRIVE UNIT

REF No.	CODE	Q'T Y	DESCRIPTION	MODEL	SPEC	REMARKS
1	LV1004001	1	NEW SENSOR PCB ASSY			
2	LV1481001	1	MOTOR ENCODER PCB ASSY			

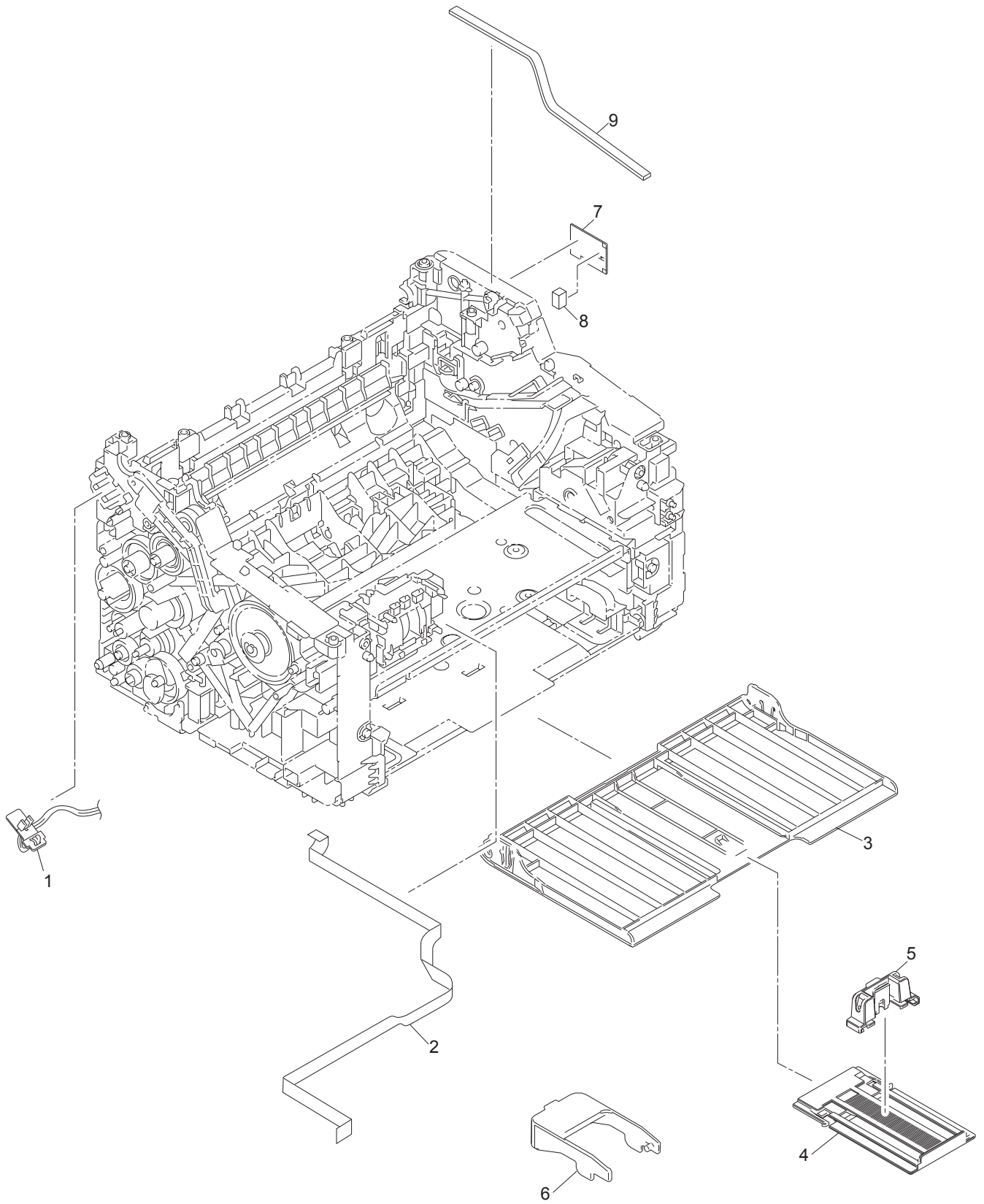
2. PAPER FEEDER



2. PAPER FEEDER

REF No.	CODE	Q'T Y	DESCRIPTION	MODEL	SPEC	REMARKS
1	LV1002001	1	PAPER FEED/PAPER PRINTING POSITION SENSOR PCB ASSY			

3. FRAME

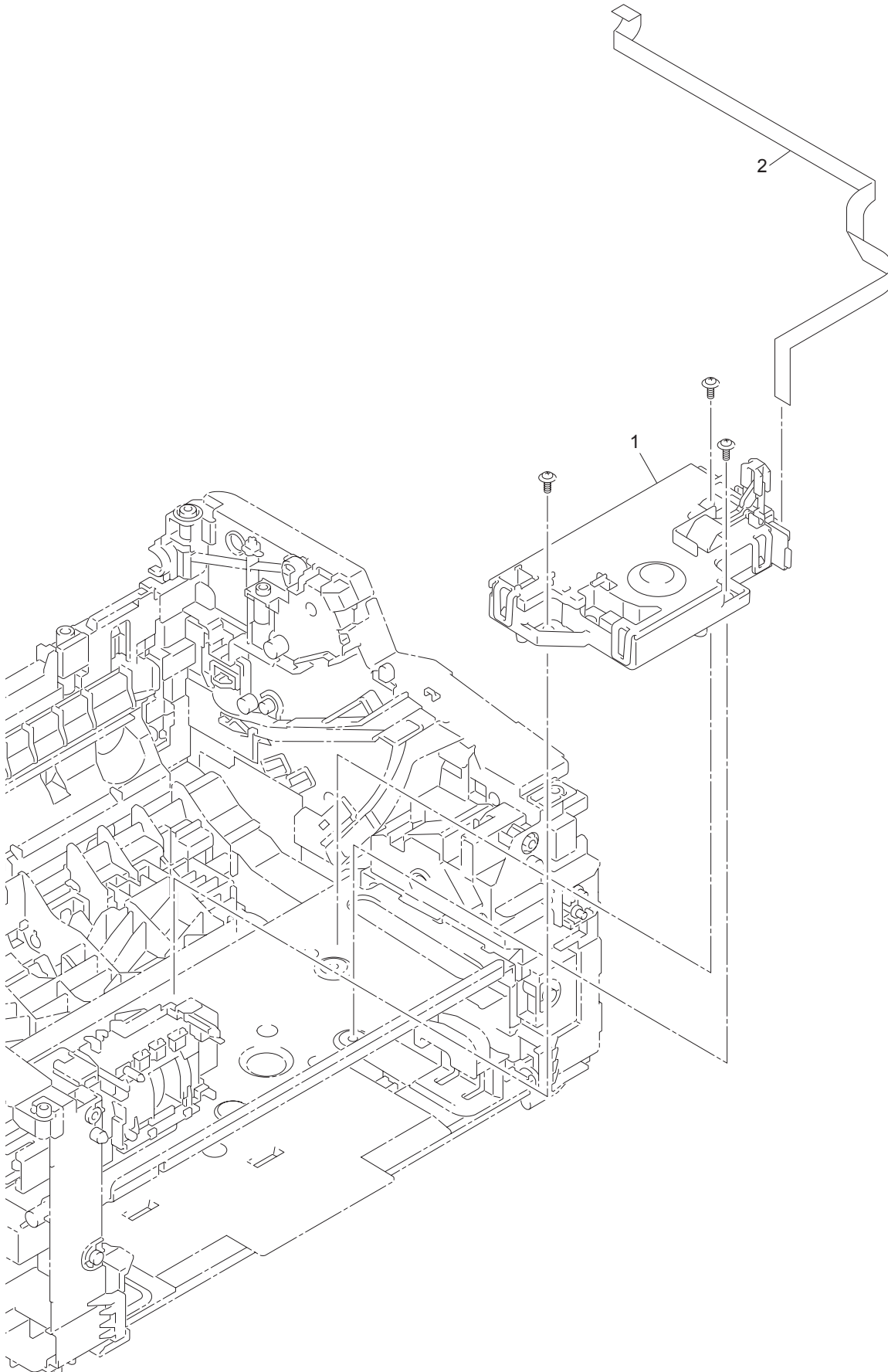


3. FRAME

REF No.	CODE	QTY	DESCRIPTION	MODEL	SPEC	REMARKS
1	LV0996001	1	EJECT SENSOR PCB ASSY			
2	LV1003001	1	MOTOR ENCODER PCB FLAT			
3	LEH189001	1	TRAY COVER ASSY	DCP-1610W	FOR GER/UK/FRA/BEL/NLD/ ITA/ISR/OCE/PND/IBR FOR TWN/SAF/THA/KOR/ MYS/UAE/MENA	
3	LEH188001	1	TRAY COVER ASSY	DCP-1610W		
3	LEH188001	1	TRAY COVER ASSY	DCP-1610WE		
3	LEH188001	1	TRAY COVER ASSY	DCP-1610WR		
3	LEH189002	1	TRAY COVER ASSY	DCP-1612W		
3	LEH188002	1	TRAY COVER ASSY	DCP-1612WE		
3	LEH188002	1	TRAY COVER ASSY	DCP-1612WR		
3	LEH188001	1	TRAY COVER ASSY	DCP-1615NW		
3	LEH188001	1	TRAY COVER ASSY	DCP-1616NW		
3	LEH188002	1	TRAY COVER ASSY	DCP-1617NW		
3	LEH189002	1	TRAY COVER ASSY	DCP-1618W		
3	LEH188002	1	TRAY COVER ASSY	DCP-1622WE		
3	LEH189001	1	TRAY COVER ASSY	MFC-1910W	FOR GER/UK/FRA/BEL/NLD/ ITA/ISR/OCE/IBR FOR TWN/SAF/THA/KOR/ MYS/UAE/MENA	
3	LEH188001	1	TRAY COVER ASSY	MFC-1910W		
3	LEH188001	1	TRAY COVER ASSY	MFC-1910WE		
3	LEH188001	1	TRAY COVER ASSY	MFC-1911NW		
3	LEH188001	1	TRAY COVER ASSY	MFC-1911W		
3	LEH188002	1	TRAY COVER ASSY	MFC-1912WR		
3	LEH188001	1	TRAY COVER ASSY	MFC-1915W		
3	LEH188001	1	TRAY COVER ASSY	MFC-1916NW		
3	LEH189002	1	TRAY COVER ASSY	MFC-1919NW		
4	LJA011001	1	PAPER REAR GUIDE 1			
5	LJA012001	1	PAPER REAR GUIDE 2			
6	LJA069001	1	PAPER REAR GUIDE 3			
7	LD1969001	1	WIRELESS LAN PCB			CHG
8	LT3844001	1	GASKET			chg
9	LEH864001	1	SPONGE ^{*1}			
(10)	LJA479001	1	DUST COVER FOR TRAY COVER	DCP-1616NW	FOR IND	add
(10)	LJA479001	1	DUST COVER FOR TRAY COVER	MFC-1911NW	FOR IND	add

*1 Once the SPONGE is peeled from the SIDE COVER R, replace the SPONGE with a new one.

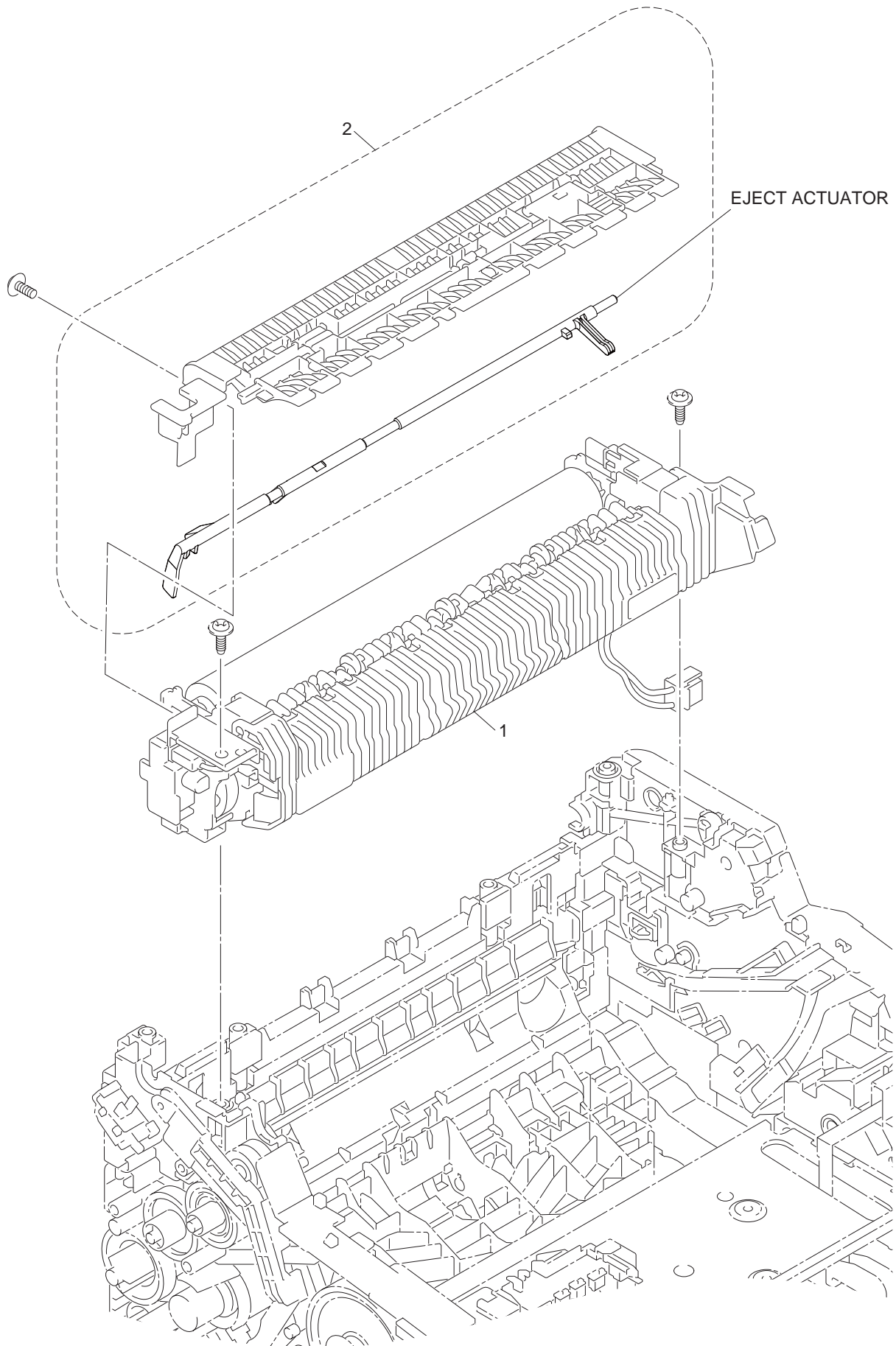
4. LASER UNIT



4. LASER UNIT

REF No.	CODE	Q'T Y	DESCRIPTION	MODEL	SPEC	REMARKS
1	LJA440001	1	LASER UNIT (SP)			CHG
2	LV1011001	1	LASER UNIT FLAT CABLE			

5. FUSER UNIT

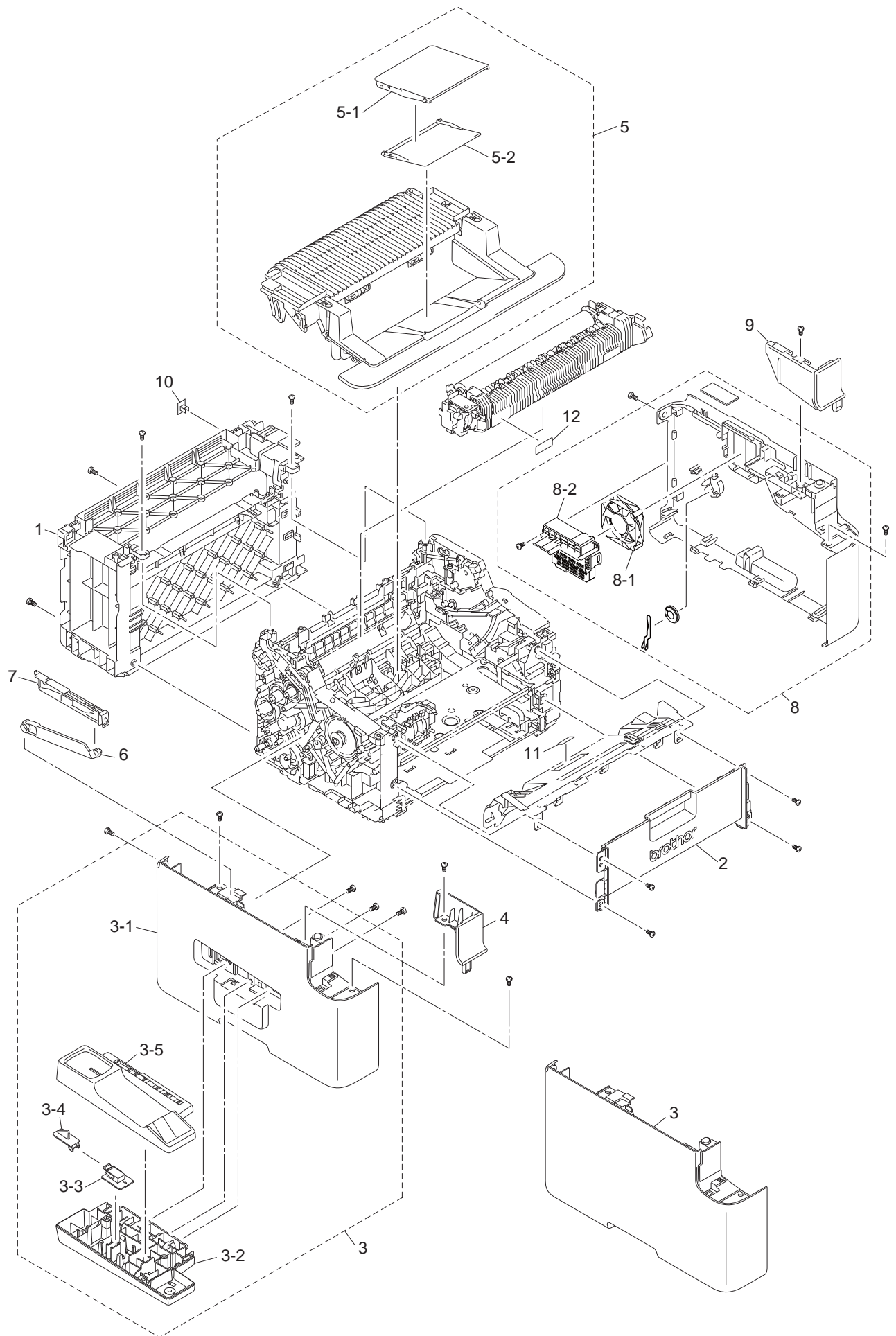


5. FUSER UNIT

REF No.	CODE	QTY	DESCRIPTION	MODEL	SPEC	REMARKS
1	LES913001	1	FUSER UNIT 230V (SP) ^{*1}	DCP-1610W	FOR GER/UK/FRA/BEL/NLD/ ITA/ISR/SAF/THA/KOR/OCE/ PND/IBR/MYS/UAE/MENA FOR TWN	CHG
1	LES914001	1	FUSER UNIT 115V (SP) ^{*1}	DCP-1610W		
1	LES913001	1	FUSER UNIT 230V (SP) ^{*1}	DCP-1610WE		CHG
1	LES913001	1	FUSER UNIT 230V (SP) ^{*1}	DCP-1610WR		CHG
1	LES914001	1	FUSER UNIT 115V (SP) ^{*1}	DCP-1612W	FOR CAN	CHG
1	LES913001	1	FUSER UNIT 230V (SP) ^{*1}	DCP-1612W	FOR GER/UK/FRA/BEL/NLD/ CHE/ITA/PND/IBR	CHG
1	LES913001	1	FUSER UNIT 230V (SP) ^{*1}	DCP-1612WE		
1	LES913001	1	FUSER UNIT 230V (SP) ^{*1}	DCP-1612WR		CHG
1	LES913001	1	FUSER UNIT 230V (SP) ^{*1}	DCP-1615NW		CHG
1	LES913001	1	FUSER UNIT 230V (SP) ^{*1}	DCP-1616NW		CHG
1	LES913001	1	FUSER UNIT 230V (SP) ^{*1}	DCP-1616NW		
1	LES913001	1	FUSER UNIT 230V (SP) ^{*1}	DCP-1617NW	FOR ARG/CHL/PER	
1	LES914001	1	FUSER UNIT 115V (SP) ^{*1}	DCP-1617NW	FOR BRA/MEX	
1	LES913001	1	FUSER UNIT 230V (SP) ^{*1}	DCP-1618W		CHG
1	LES913001	1	FUSER UNIT 230V (SP) ^{*1}	DCP-1622WE		
1	LES913001	1	FUSER UNIT 230V (SP) ^{*1}	MFC-1910W	FOR GER/UK/FRA/BEL/NLD/ ITA/ISR/SAF/THA/KOR/OCE/ IBR/MYS/UAE/MENA FOR TWN	CHG
1	LES914001	1	FUSER UNIT 115V (SP) ^{*1}	MFC-1910W		
1	LES913001	1	FUSER UNIT 230V (SP) ^{*1}	MFC-1910WE		CHG
1	LES913001	1	FUSER UNIT 230V (SP) ^{*1}	MFC-1911NW	FOR IDN	CHG
1	LES913001	1	FUSER UNIT 230V (SP) ^{*1}	MFC-1911NW	FOR IND	CHG
1	LES913001	1	FUSER UNIT 230V (SP) ^{*1}	MFC-1911W		CHG
1	LES913001	1	FUSER UNIT 230V (SP) ^{*1}	MFC-1912WR		CHG
1	LES913001	1	FUSER UNIT 230V (SP) ^{*1}	MFC-1915W		CHG
1	LES913001	1	FUSER UNIT 230V (SP) ^{*1}	MFC-1916NW		CHG
1	LES913001	1	FUSER UNIT 230V (SP) ^{*1}	MFC-1919NW		CHG
2	LEH826001	1	INSULATION ROOF ASSY (SP)			

^{*1} When replace the FUSER UNIT, replace LEH864001 SPONGE (3.FRAME REF No.9) with a new one.

6. COVERS & LABELS



6. COVER & LABELS

REF No.	CODE	QTY	DESCRIPTION	MODEL	SPEC	REMARKS
1	LES004001	1	BACK COVER	DCP-1610W		
1	LES004001	1	BACK COVER	DCP-1610WE		
1	LES004001	1	BACK COVER	DCP-1610WR		
1	LES004002	1	BACK COVER	DCP-1612W		
1	LES004002	1	BACK COVER	DCP-1612WE		
1	LES004002	1	BACK COVER	DCP-1612WR		
1	LES164001	1	BACK COVER	DCP-1615NW		
1	LES164001	1	BACK COVER	DCP-1616NW		
1	LES164002	1	BACK COVER	DCP-1617NW		
1	LES484002	1	BACK COVER	DCP-1618W		
1	LES004002	1	BACK COVER	DCP-1622WE		
1	LES193001	1	BACK COVER	MFC-1910W		
1	LES193001	1	BACK COVER	MFC-1910WE		
1	LES005001	1	BACK COVER	MFC-1911NW		
1	LES193001	1	BACK COVER	MFC-1911W		
1	LES193002	1	BACK COVER	MFC-1912WR		
1	LES196001	1	BACK COVER	MFC-1915W		
1	LES003001	1	BACK COVER	MFC-1916NW		
1	LES482002	1	BACK COVER	MFC-1919NW		
2	LY8028001	1	FRONT COVER	DCP-1610W		
2	LY8028001	1	FRONT COVER	DCP-1610WE		
2	LY8028001	1	FRONT COVER	DCP-1610WR		
2	LY8028002	1	FRONT COVER	DCP-1612W		
2	LY8028002	1	FRONT COVER	DCP-1612WE		
2	LY8028002	1	FRONT COVER	DCP-1612WR		
2	LY8028001	1	FRONT COVER	DCP-1615NW		
2	LY8028001	1	FRONT COVER	DCP-1616NW		
2	LY8028002	1	FRONT COVER	DCP-1617NW		
2	LY8028002	1	FRONT COVER	DCP-1618W		
2	LY8028002	1	FRONT COVER	DCP-1622WE		
2	LY8028001	1	FRONT COVER	MFC-1910W		
2	LY8028001	1	FRONT COVER	MFC-1910WE		
2	LY8028001	1	FRONT COVER	MFC-1911NW		
2	LY8028001	1	FRONT COVER	MFC-1911W		
2	LY8028002	1	FRONT COVER	MFC-1912WR		
2	LY8028001	1	FRONT COVER	MFC-1915W		
2	LY8028001	1	FRONT COVER	MFC-1916NW		
2	LY8028002	1	FRONT COVER	MFC-1919NW		
3	LES818001	1	SIDE COVER L	DCP-1610W		
3	LES818001	1	SIDE COVER L	DCP-1610WE		
3	LES818001	1	SIDE COVER L	DCP-1610WR		
3	LES818002	1	SIDE COVER L	DCP-1612W		
3	LES818002	1	SIDE COVER L	DCP-1612WE		
3	LES818002	1	SIDE COVER L	DCP-1612WR		
3	LES818001	1	SIDE COVER L	DCP-1615NW		
3	LES818001	1	SIDE COVER L	DCP-1616NW		
3	LES818002	1	SIDE COVER L	DCP-1617NW		
3	LES818002	1	SIDE COVER L	DCP-1618W		
3	LES818002	1	SIDE COVER L	DCP-1622WE		
3	LES818001	1	SIDE COVER L	MFC-1910W		
3	LES818001	1	SIDE COVER L	MFC-1910WE		
3	LES818001	1	SIDE COVER L	MFC-1911NW		
3	LES818001	1	SIDE COVER L	MFC-1911W		
3	LES818002	1	SIDE COVER L	MFC-1912WR		
3	LEH151001	1	SIDE COVER L ASSY	MFC-1915W		
3	LEH151001	1	SIDE COVER L ASSY	MFC-1916NW		
3	LEH151002	1	SIDE COVER L ASSY	MFC-1919NW		
3-1	LEH150001	1	SIDE COVER L	MFC-1915W		
3-1	LEH150001	1	SIDE COVER L	MFC-1916NW		
3-1	LEH150002	1	SIDE COVER L	MFC-1919NW		
3-2	LEH149001	1	LOWER HANDSET HOLDER	MFC-1915W		
3-2	LEH149001	1	LOWER HANDSET HOLDER	MFC-1916NW		
3-2	LEH149002	1	LOWER HANDSET HOLDER	MFC-1919NW		
3-3	LT1764001	1	HOOK PCB ASSY	MFC-1915W		
3-3	LT1764001	1	HOOK PCB ASSY	MFC-1916NW		
3-3	LT1764001	1	HOOK PCB ASSY	MFC-1919NW		
3-4	LEH812008	1	HOOK ACTUATOR	MFC-1915W		
3-4	LEH812008	1	HOOK ACTUATOR	MFC-1916NW		
3-4	LEH812008	1	HOOK ACTUATOR	MFC-1919NW		
3-5	LEH148001	1	UPPER HANDSET HOLDER	MFC-1915W		
3-5	LEH148001	1	UPPER HANDSET HOLDER	MFC-1916NW		
3-5	LEH148002	1	UPPER HANDSET HOLDER	MFC-1919NW		
4	LEH005001	1	DRESS COVER L	DCP-1610W		
4	LEH005001	1	DRESS COVER L	DCP-1610WE		

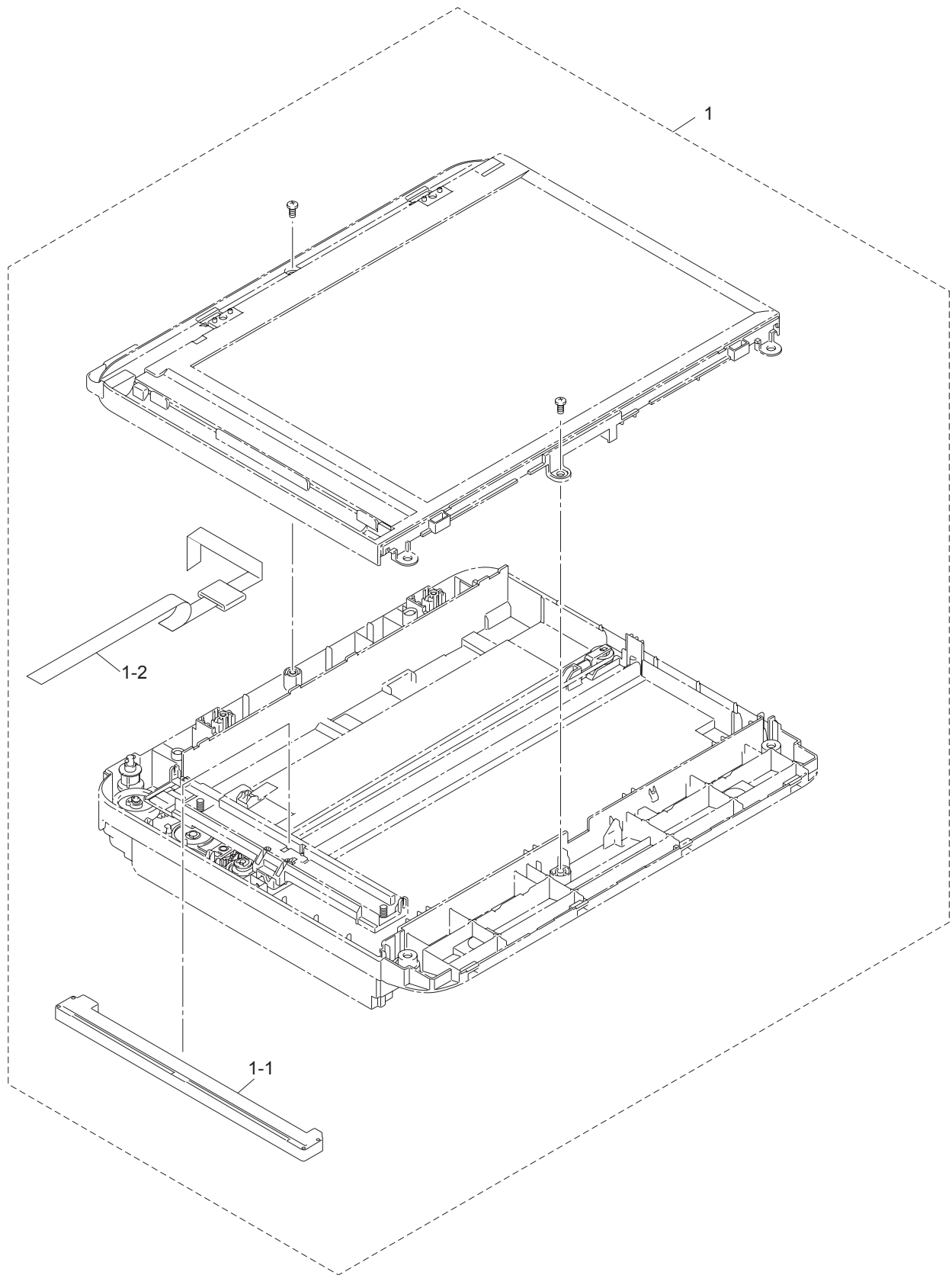
6. COVER & LABELS

REF No.	CODE	QTY	DESCRIPTION	MODEL	SPEC	REMARKS
4	LEH005001	1	DRESS COVER L	DCP-1610WR		
4	LEH005002	1	DRESS COVER L	DCP-1612W		
4	LEH005002	1	DRESS COVER L	DCP-1612WE		
4	LEH005002	1	DRESS COVER L	DCP-1612WR		
4	LEH005001	1	DRESS COVER L	DCP-1615NW		
4	LEH005001	1	DRESS COVER L	DCP-1616NW		
4	LEH005002	1	DRESS COVER L	DCP-1617NW		
4	LEH005002	1	DRESS COVER L	DCP-1618W		
4	LEH005001	1	DRESS COVER L	DCP-1622WE		
4	LEH005001	1	DRESS COVER L	MFC-1910W		
4	LEH005001	1	DRESS COVER L	MFC-1910WE		
4	LEH005001	1	DRESS COVER L	MFC-1911NW		
4	LEH005001	1	DRESS COVER L	MFC-1911W		
4	LEH005002	1	DRESS COVER L	MFC-1912WR		
4	LEH005001	1	DRESS COVER L	MFC-1915W		
4	LEH005001	1	DRESS COVER L	MFC-1916NW		
4	LEH005002	1	DRESS COVER L	MFC-1919NW		
5	LEH835001	1	TOP COVER ASSY	DCP-1610W		
5	LEH835001	1	TOP COVER ASSY	DCP-1610WE		
5	LEH835001	1	TOP COVER ASSY	DCP-1610WR		
5	LEH835002	1	TOP COVER ASSY	DCP-1612W		
5	LEH835002	1	TOP COVER ASSY	DCP-1612WE		
5	LEH835002	1	TOP COVER ASSY	DCP-1612WR		
5	LEH835001	1	TOP COVER ASSY	DCP-1615NW		
5	LEH835001	1	TOP COVER ASSY	DCP-1616NW		
5	LEH835002	1	TOP COVER ASSY	DCP-1617NW		
5	LEH835002	1	TOP COVER ASSY	DCP-1618W		
5	LEH835001	1	TOP COVER ASSY	DCP-1622WE		
5	LEH835001	1	TOP COVER ASSY	MFC-1910W		
5	LEH835001	1	TOP COVER ASSY	MFC-1910WE		
5	LEH835001	1	TOP COVER ASSY	MFC-1911NW		
5	LEH835001	1	TOP COVER ASSY	MFC-1911W		
5	LEH835002	1	TOP COVER ASSY	MFC-1912WR		
5	LEH835001	1	TOP COVER ASSY	MFC-1915W		
5	LEH835001	1	TOP COVER ASSY	MFC-1916NW		
5	LEH835002	1	TOP COVER ASSY	MFC-1919NW		
5-1	LEH004001	1	PAPER STOPPER			
5-2	LY8174001	1	PAPER STOPPER 2			
6	LEH207001	1	SCANNER COVER SUPPORT			
7	LEH206001	1	SCANNER COVER DAMPER			
8	LEH882001	1	SIDE COVER R	DCP-1610W		
8	LEH882001	1	SIDE COVER R	DCP-1610WE		
8	LEH882001	1	SIDE COVER R	DCP-1610WR		
8	LEH882002	1	SIDE COVER R	DCP-1612W		
8	LEH882002	1	SIDE COVER R	DCP-1612WE		
8	LEH882002	1	SIDE COVER R	DCP-1612WR		
8	LEH882001	1	SIDE COVER R	DCP-1615NW		
8	LEH882001	1	SIDE COVER R	DCP-1616NW		
8	LEH882002	1	SIDE COVER R	DCP-1617NW		
8	LES806002	1	SIDE COVER R	DCP-1618W		
8	LEH882002	1	SIDE COVER R	DCP-1622WE		
8	LES089001	1	SIDE COVER R	MFC-1910W		
8	LES089001	1	SIDE COVER R	MFC-1910WE		
8	LES089001	1	SIDE COVER R	MFC-1911NW		
8	LES089001	1	SIDE COVER R	MFC-1911W		
8	LES089002	1	SIDE COVER R	MFC-1912WR		
8	LES089001	1	SIDE COVER R	MFC-1915W		
8	LES089001	1	SIDE COVER R	MFC-1916NW		
8	LES805002	1	SIDE COVER R	MFC-1919NW		
8-1	LEH842001	1	FAN			
8-2	LEH840001	1	FAN MOTOR COVER			ADD
9	LEH152001	1	DRESS COVER R	DCP-1610W		
9	LEH152001	1	DRESS COVER R	DCP-1610WE		
9	LEH152001	1	DRESS COVER R	DCP-1610WR		
9	LEH152002	1	DRESS COVER R	DCP-1612W		
9	LEH152002	1	DRESS COVER R	DCP-1612WE		
9	LEH152002	1	DRESS COVER R	DCP-1612WR		
9	LEH152001	1	DRESS COVER R	DCP-1615NW		
9	LEH152001	1	DRESS COVER R	DCP-1616NW		
9	LEH152002	1	DRESS COVER R	DCP-1617NW		
9	LEH152002	1	DRESS COVER R	DCP-1618W		
9	LEH152001	1	DRESS COVER R	DCP-1622WE		
9	LEH152001	1	DRESS COVER R	MFC-1910W		
9	LEH152001	1	DRESS COVER R	MFC-1910WE		

6. COVER & LABELS

REF No.	CODE	QTY	DESCRIPTION	MODEL	SPEC	REMARKS
9	LEH152001	1	DRESS COVER R	MFC-1911NW		
9	LEH152001	1	DRESS COVER R	MFC-1911W		
9	LEH152002	1	DRESS COVER R	MFC-1912WR		
9	LEH152001	1	DRESS COVER R	MFC-1915W		
9	LEH152001	1	DRESS COVER R	MFC-1916NW		
9	LEH152002	1	DRESS COVER R	MFC-1919NW		
10	LE8842001	1	EXT CAP	MFC-1910W	FOR NLD/TWN/SAF/THA/KOR/ OCE/IBR/MYS/UAE/MENA FOR GER/UK/FRA/BEL/ITA/ISR	
10	UF5745000	1	MJ COVER EXT	MFC-1910W		
10	LE8842001	1	EXT CAP	MFC-1910WE		
10	LE8842001	1	EXT CAP	MFC-1911NW		
10	LE8842001	1	EXT CAP	MFC-1911W		
10	LE8842001	1	EXT CAP	MFC-1912WR		
11	LU7320001	1	CAUTION LABEL SPRAY 13X50			
12	LY8178001	1	LABEL H CAUTION 13X30			

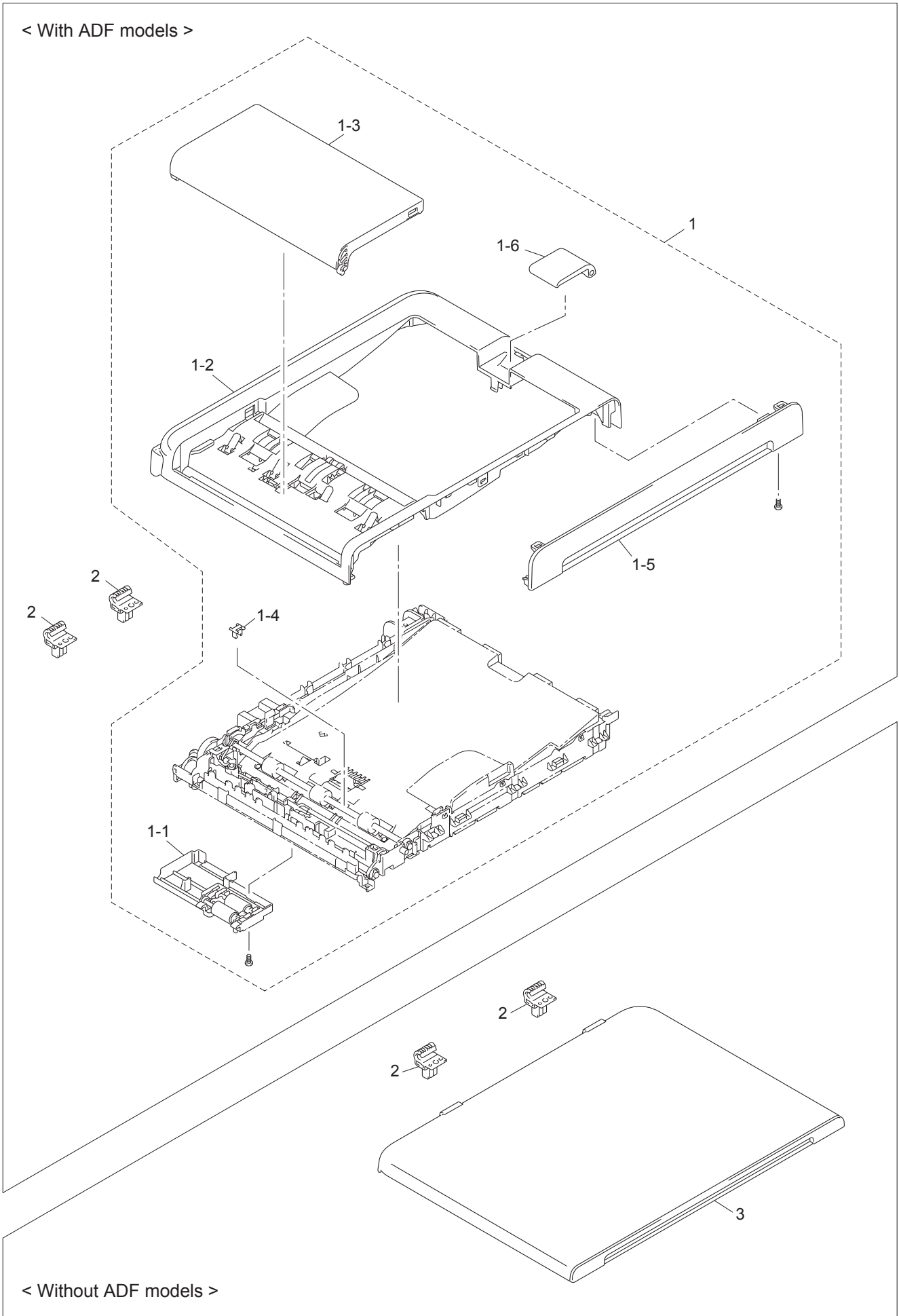
7. DOCUMENT SCANNER



7. DOCUMENT SCANNER

REF No.	CODE	QTY	DESCRIPTION	MODEL	SPEC	REMARKS
1	LES978001	1	DOCUMET SCANNER UNIT(SP)	DCP-1610W		CHG
1	LES978001	1	DOCUMET SCANNER UNIT(SP)	DCP-1610WE		CHG
1	LES978001	1	DOCUMET SCANNER UNIT(SP)	DCP-1610WR		CHG
1	LES978002	1	DOCUMET SCANNER UNIT(SP)	DCP-1612W		CHG
1	LES978002	1	DOCUMET SCANNER UNIT(SP)	DCP-1612WE		CHG
1	LES978002	1	DOCUMET SCANNER UNIT(SP)	DCP-1612WR		CHG
1	LES979001	1	DOCUMET SCANNER UNIT(SP)	DCP-1615NW		CHG
1	LES979001	1	DOCUMET SCANNER UNIT(SP)	DCP-1616NW		CHG
1	LES979002	1	DOCUMET SCANNER UNIT(SP)	DCP-1617NW		CHG
1	LES978002	1	DOCUMET SCANNER UNIT(SP)	DCP-1618W		CHG
1	LES978002	1	DOCUMET SCANNER UNIT(SP)	DCP-1622WE		
1	LES979001	1	DOCUMET SCANNER UNIT(SP)	MFC-1910W		CHG
1	LES979001	1	DOCUMET SCANNER UNIT(SP)	MFC-1910WE		CHG
1	LES979001	1	DOCUMET SCANNER UNIT(SP)	MFC-1911NW		CHG
1	LES979001	1	DOCUMET SCANNER UNIT(SP)	MFC-1911W		CHG
1	LES979002	1	DOCUMET SCANNER UNIT(SP)	MFC-1912WR		CHG
1	LES979001	1	DOCUMET SCANNER UNIT(SP)	MFC-1915W		CHG
1	LES979001	1	DOCUMET SCANNER UNIT(SP)	MFC-1916NW		CHG
1	LES979002	1	DOCUMET SCANNER UNIT(SP)	MFC-1919NW		CHG
1-1	LT3860001	1	CIS UNIT			CHG
1-2	LT3240001	1	CIS FLAT CABLE			CHG

8. ADF & DOCUMENT COVER ASSY



8. ADF & DOCUMENT COVER ASSY

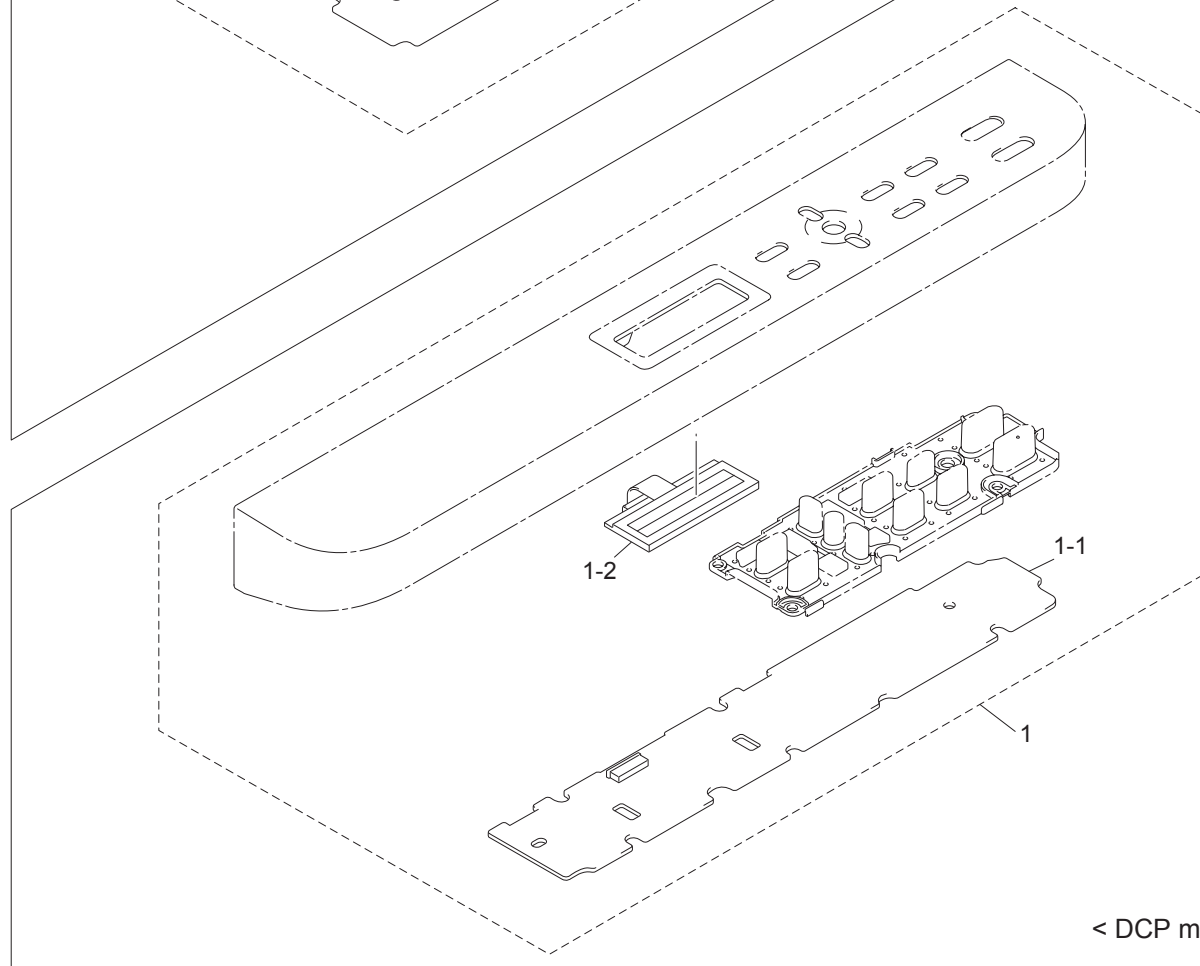
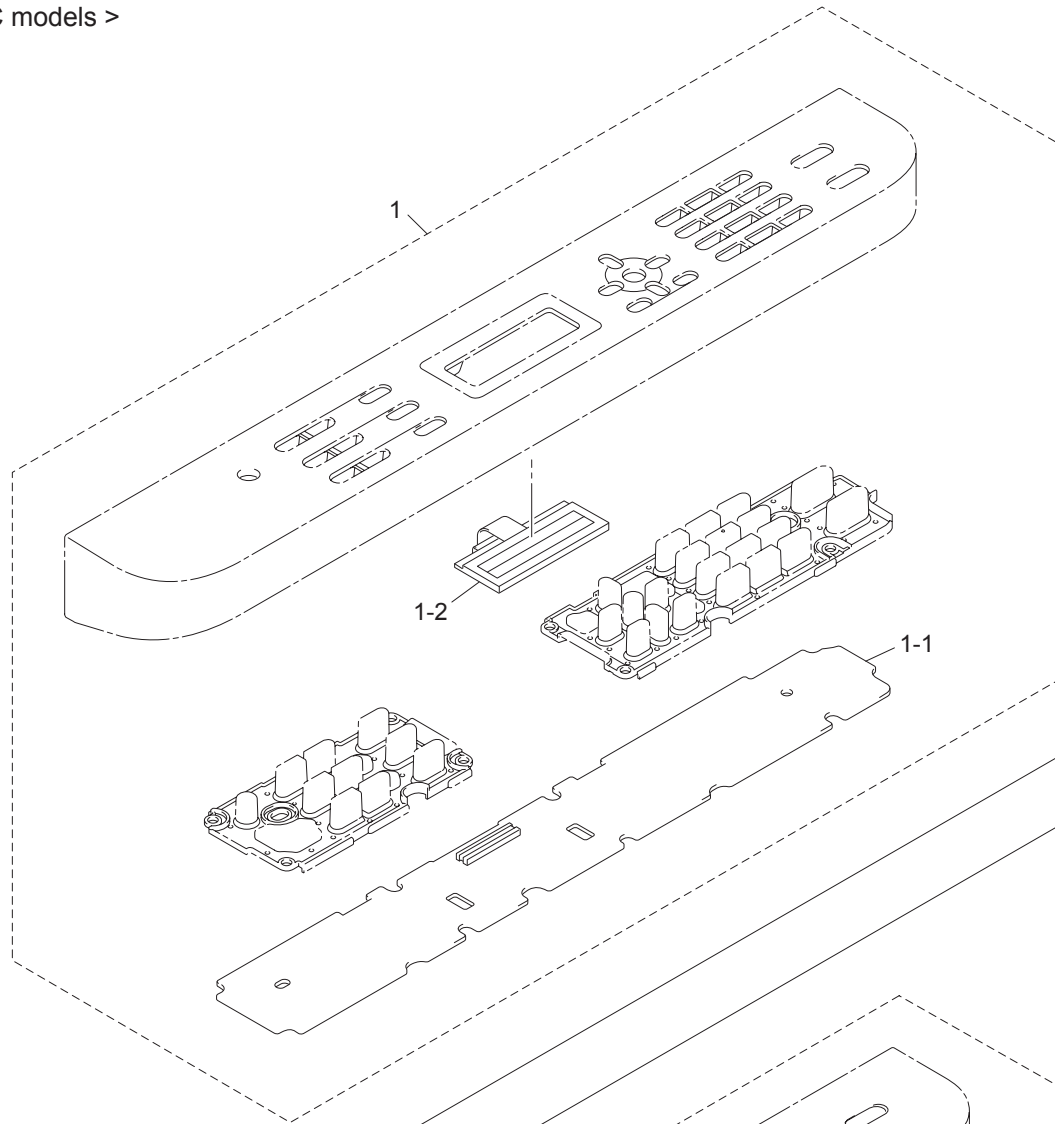
REF No.	CODE	QTY	DESCRIPTION	MODEL	SPEC	REMARKS
1	LES780001	1	ADF UNIT(SP)	DCP-1615NW		
1	LES780001	1	ADF UNIT(SP)	DCP-1616NW		
1	LES780002	1	ADF UNIT(SP)	DCP-1617NW		
1	LES780001	1	ADF UNIT(SP)	MFC-1910W		
1	LES780001	1	ADF UNIT(SP)	MFC-1910WE		
1	LES780001	1	ADF UNIT(SP)	MFC-1911NW		
1	LES780001	1	ADF UNIT(SP)	MFC-1911W		
1	LES780002	1	ADF UNIT(SP)	MFC-1912WR		
1	LES780001	1	ADF UNIT(SP)	MFC-1915W		
1	LES780001	1	ADF UNIT(SP)	MFC-1916NW		
1	LES780002	1	ADF UNIT(SP)	MFC-1919NW		
1-1	LEH089001	1	DOCUMENTSEPARATE ROLLER HOLDER ASSY	DCP-1615NW		
1-1	LEH089001	1	DOCUMENTSEPARATE ROLLER HOLDER ASSY	DCP-1616NW		
1-1	LEH089001	1	DOCUMENTSEPARATE ROLLER HOLDER ASSY	DCP-1617NW		
1-1	LEH089001	1	DOCUMENTSEPARATE ROLLER HOLDER ASSY	MFC-1910W		
1-1	LEH089001	1	DOCUMENTSEPARATE ROLLER HOLDER ASSY	MFC-1910WE		
1-1	LEH089001	1	DOCUMENTSEPARATE ROLLER HOLDER ASSY	MFC-1911NW		
1-1	LEH089001	1	DOCUMENTSEPARATE ROLLER HOLDER ASSY	MFC-1911W		
1-1	LEH089001	1	DOCUMENTSEPARATE ROLLER HOLDER ASSY	MFC-1912WR		
1-1	LEH089001	1	DOCUMENTSEPARATE ROLLER HOLDER ASSY	MFC-1915W		
1-1	LEH089001	1	DOCUMENTSEPARATE ROLLER HOLDER ASSY	MFC-1916NW		
1-1	LEH089001	1	DOCUMENTSEPARATE ROLLER HOLDER ASSY	MFC-1919NW		
1-2	LEH120001	1	DOCUMENT COVER ASSY	DCP-1615NW		
1-2	LEH120001	1	DOCUMENT COVER ASSY	DCP-1616NW		
1-2	LEH120002	1	DOCUMENT COVER ASSY	DCP-1617NW		
1-2	LEH120001	1	DOCUMENT COVER ASSY	MFC-1910W		
1-2	LEH120001	1	DOCUMENT COVER ASSY	MFC-1910WE		
1-2	LEH120001	1	DOCUMENT COVER ASSY	MFC-1911NW		
1-2	LEH120001	1	DOCUMENT COVER ASSY	MFC-1911W		
1-2	LEH120002	1	DOCUMENT COVER ASSY	MFC-1912WR		
1-2	LEH120001	1	DOCUMENT COVER ASSY	MFC-1915W		
1-2	LEH120001	1	DOCUMENT COVER ASSY	MFC-1916NW		
1-2	LEH120002	1	DOCUMENT COVER ASSY	MFC-1919NW		
1-3	LEH112001	1	ADF COVER ASSY	DCP-1615NW		
1-3	LEH112001	1	ADF COVER ASSY	DCP-1616NW		
1-3	LEH112002	1	ADF COVER ASSY	DCP-1617NW		
1-3	LEH112001	1	ADF COVER ASSY	MFC-1910W		
1-3	LEH112001	1	ADF COVER ASSY	MFC-1910WE		
1-3	LEH112001	1	ADF COVER ASSY	MFC-1911NW		
1-3	LEH112001	1	ADF COVER ASSY	MFC-1911W		
1-3	LEH112002	1	ADF COVER ASSY	MFC-1912WR		
1-3	LEH112001	1	ADF COVER ASSY	MFC-1915W		
1-3	LEH112001	1	ADF COVER ASSY	MFC-1916NW		
1-3	LEH112002	1	ADF COVER ASSY	MFC-1919NW		
1-4	LEH110001	1	DOCUMENT COVER SUPPORT	DCP-1615NW		
1-4	LEH110001	1	DOCUMENT COVER SUPPORT	DCP-1616NW		
1-4	LEH110001	1	DOCUMENT COVER SUPPORT	DCP-1617NW		
1-4	LEH110001	1	DOCUMENT COVER SUPPORT	MFC-1910W		
1-4	LEH110001	1	DOCUMENT COVER SUPPORT	MFC-1910WE		
1-4	LEH110001	1	DOCUMENT COVER SUPPORT	MFC-1911NW		
1-4	LEH110001	1	DOCUMENT COVER SUPPORT	MFC-1911W		
1-4	LEH110001	1	DOCUMENT COVER SUPPORT	MFC-1912WR		
1-4	LEH110001	1	DOCUMENT COVER SUPPORT	MFC-1915W		
1-4	LEH110001	1	DOCUMENT COVER SUPPORT	MFC-1916NW		
1-4	LEH110001	1	DOCUMENT COVER SUPPORT	MFC-1919NW		
1-5	LEH078001	1	HANDLE COVER	DCP-1615NW		
1-5	LEH078001	1	HANDLE COVER	DCP-1616NW		
1-5	LEH078002	1	HANDLE COVER	DCP-1617NW		
1-5	LEH078001	1	HANDLE COVER	MFC-1910W		
1-5	LEH078001	1	HANDLE COVER	MFC-1910WE		
1-5	LEH078001	1	HANDLE COVER	MFC-1911NW		
1-5	LEH078001	1	HANDLE COVER	MFC-1911W		

8. ADF & DOCUMENT COVER ASSY

REF No.	CODE	QTY	DESCRIPTION	MODEL	SPEC	REMARKS
1-5	LEH078002	1	HANDLE COVER	MFC-1912WR		
1-5	LEH078001	1	HANDLE COVER	MFC-1915W		
1-5	LEH078001	1	HANDLE COVER	MFC-1916NW		
1-5	LEH078002	1	HANDLE COVER	MFC-1919NW		
1-6	LEH118001	1	DOCUMENT STOPPER	DCP-1615NW		
1-6	LEH118001	1	DOCUMENT STOPPER	DCP-1616NW		
1-6	LEH118002	1	DOCUMENT STOPPER	DCP-1617NW		
1-6	LEH118001	1	DOCUMENT STOPPER	MFC-1910W		
1-6	LEH118001	1	DOCUMENT STOPPER	MFC-1910WE		
1-6	LEH118001	1	DOCUMENT STOPPER	MFC-1911NW		
1-6	LEH118001	1	DOCUMENT STOPPER	MFC-1911W		
1-6	LEH118002	1	DOCUMENT STOPPER	MFC-1912WR		
1-6	LEH118001	1	DOCUMENT STOPPER	MFC-1915W		
1-6	LEH118001	1	DOCUMENT STOPPER	MFC-1916NW		
1-6	LEH118002	1	DOCUMENT STOPPER	MFC-1919NW		
2	LEH166001	2	HINGE	DCP-1610W		
2	LEH166001	2	HINGE	DCP-1610WE		
2	LEH166001	2	HINGE	DCP-1610WR		
2	LEH166002	2	HINGE	DCP-1612W		
2	LEH166002	2	HINGE	DCP-1612WE		
2	LEH166002	2	HINGE	DCP-1612WR		
2	LEH016001	2	HINGE	DCP-1615NW		
2	LEH016001	2	HINGE	DCP-1616NW		
2	LEH016002	2	HINGE	DCP-1617NW		
2	LEH166002	2	HINGE	DCP-1618W		
2	LEH166002	2	HINGE	DCP-1622WE		
2	LEH016001	2	HINGE	MFC-1910W		
2	LEH016001	2	HINGE	MFC-1910WE		
2	LEH016001	2	HINGE	MFC-1911NW		
2	LEH016001	2	HINGE	MFC-1911W		
2	LEH016002	2	HINGE	MFC-1912WR		
2	LEH016001	2	HINGE	MFC-1915W		
2	LEH016001	2	HINGE	MFC-1916NW		
2	LEH016002	2	HINGE	MFC-1919NW		
3	LES084001	1	DOCUMENT COVER ASSY(SP)	DCP-1610W		
3	LES084001	1	DOCUMENT COVER ASSY(SP)	DCP-1610WE		
3	LES084001	1	DOCUMENT COVER ASSY(SP)	DCP-1610WR		
3	LES084002	1	DOCUMENT COVER ASSY(SP)	DCP-1612W		
3	LES084002	1	DOCUMENT COVER ASSY(SP)	DCP-1612WE		
3	LES084002	1	DOCUMENT COVER ASSY(SP)	DCP-1612WR		
3	LES084002	1	DOCUMENT COVER ASSY(SP)	DCP-1618W		
3	LES084003	1	DOCUMENT COVER ASSY(SP)	DCP-1622WE		

9. PANEL

< MFC models >



< DCP models >

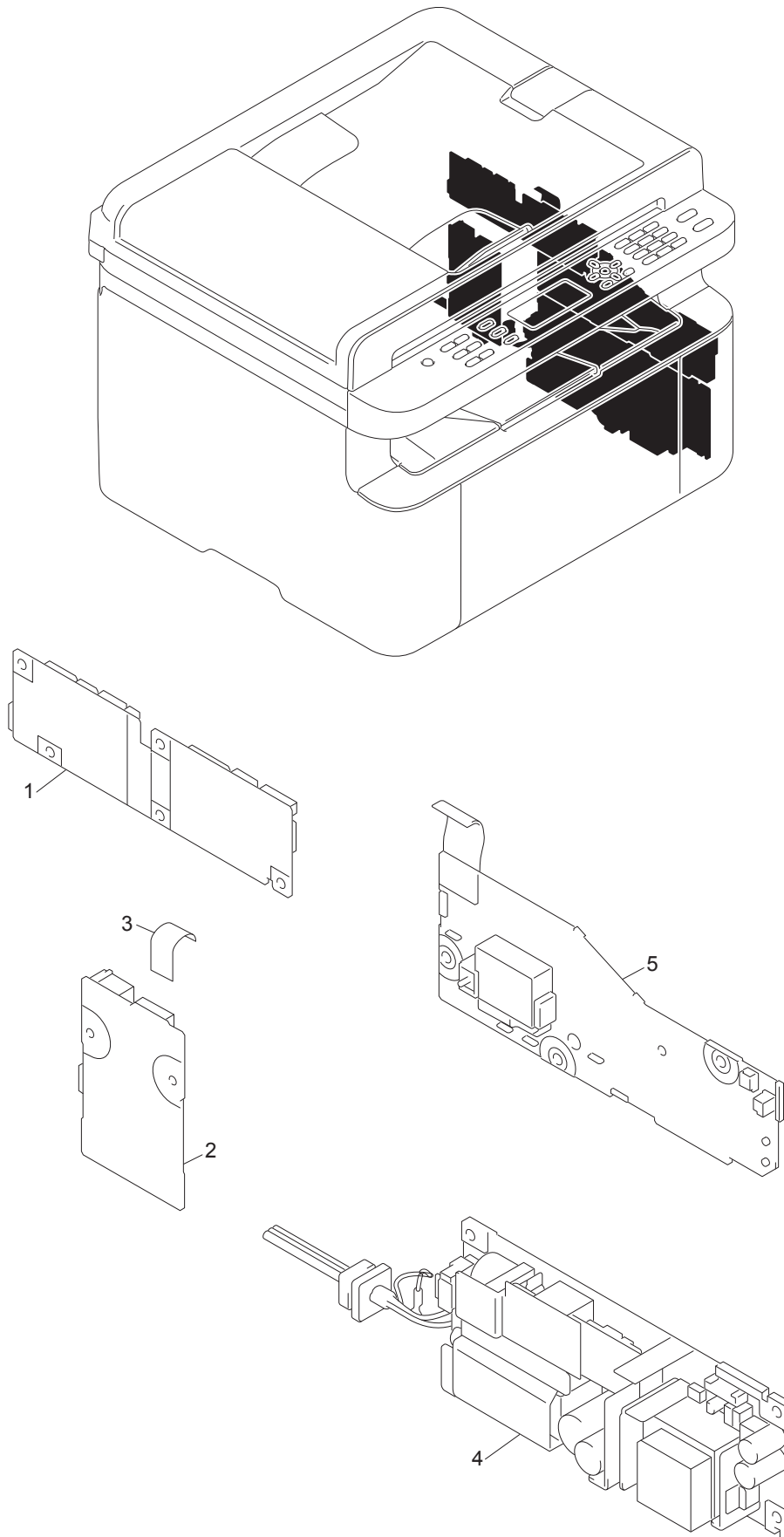
9. PANEL

REF No.	CODE	QTY	DESCRIPTION	MODEL	SPEC	REMARKS
1	LES509001	1	PANEL UNIT	DCP-1610W	FOR GER	
1	LES132001	1	PANEL UNIT	DCP-1610W	FOR UK/BEL/ISR/SAF/THA/ OCE/PND/MYS/UAE/MENA	
1	LES515001	1	PANEL UNIT	DCP-1610W	FOR FRA	
1	LES518001	1	PANEL UNIT	DCP-1610W	FOR NLD	
1	LES521001	1	PANEL UNIT	DCP-1610W	FOR ITA	
1	LES305001	1	PANEL UNIT	DCP-1610W	FOR TWN	
1	LES306001	1	PANEL UNIT	DCP-1610W	FOR KOR	
1	LES524001	1	PANEL UNIT	DCP-1610W	FOR IBR	
1	LES713001	1	PANEL UNIT	DCP-1610WE	FOR POL	
1	LES717001	1	PANEL UNIT	DCP-1610WE	FOR CEE	
1	LES720001	1	PANEL UNIT	DCP-1610WR		
1	LES307001	1	PANEL UNIT	DCP-1612W	FOR CAN/UK/BEL/CHE/PND	
1	LES514001	1	PANEL UNIT	DCP-1612W	FOR GER	
1	LES517001	1	PANEL UNIT	DCP-1612W	FOR FRA	
1	LES819001	1	PANEL UNIT	DCP-1612W	FOR NLD	
1	LES523001	1	PANEL UNIT	DCP-1612W	FOR ITA	
1	LES526001	1	PANEL UNIT	DCP-1612W	FOR IBR	
1	LES963001	1	PANEL UNIT	DCP-1612WE		
1	LES725001	1	PANEL UNIT	DCP-1612WR		
1	LES554001	1	PANEL UNIT	DCP-1615NW		
1	LES438001	1	PANEL UNIT	DCP-1616NW		
1	LES135001	1	PANEL UNIT	DCP-1617NW	FOR ARG/CHL/MEX/PER	
1	LES708001	1	PANEL UNIT	DCP-1617NW	FOR BRA	
1	LEH895001	1	PANEL UNIT	DCP-1618W		
1	LES975001	1	PANEL UNIT	DCP-1622WE		
1	LES558001	1	PANEL UNIT	MFC-1910W	FOR GER	
1	LES324001	1	PANEL UNIT	MFC-1910W	FOR UK/BEL/ISR/SAF/UAE/MENA	
1	LES565001	1	PANEL UNIT	MFC-1910W	FOR FRA	
1	LES574001	1	PANEL UNIT	MFC-1910W	FOR NLD	
1	LES577001	1	PANEL UNIT	MFC-1910W	FOR ITA	
1	LES144001	1	PANEL UNIT	MFC-1910W	FOR TWN	
1	LES440001	1	PANEL UNIT	MFC-1910W	FOR THA/OCE/MYS	
1	LES319001	1	PANEL UNIT	MFC-1910W	FOR KOR	
1	LES580001	1	PANEL UNIT	MFC-1910W	FOR IBR	
1	LES673001	1	PANEL UNIT	MFC-1910WE	FOR POL	
1	LES677001	1	PANEL UNIT	MFC-1910WE	FOR CEE	
1	LES085001	1	PANEL UNIT	MFC-1911NW		
1	LES585001	1	PANEL UNIT	MFC-1911W		
1	LES320001	1	PANEL UNIT	MFC-1912WR		
1	LES602001	1	PANEL UNIT	MFC-1915W		
1	LES323001	1	PANEL UNIT	MFC-1916NW		
1	LEH903001	1	PANEL UNIT	MFC-1919NW		
1-1	LT3405001	1	PANEL PCB ASSY	DCP-1610W		
1-1	LT3405001	1	PANEL PCB ASSY	DCP-1610WE		
1-1	LT3405001	1	PANEL PCB ASSY	DCP-1610WR		
1-1	LT3405001	1	PANEL PCB ASSY	DCP-1612W		
1-1	LT3405001	1	PANEL PCB ASSY	DCP-1612WE		
1-1	LT3405001	1	PANEL PCB ASSY	DCP-1612WR		
1-1	LT3405001	1	PANEL PCB ASSY	DCP-1615NW		
1-1	LT3405001	1	PANEL PCB ASSY	DCP-1616NW		
1-1	LT3405001	1	PANEL PCB ASSY	DCP-1617NW		
1-1	LT3403001	1	PANEL PCB ASSY	DCP-1618W		
1-1	LT3405001	1	PANEL PCB ASSY	DCP-1622WE		
1-1	LT3406001	1	PANEL PCB ASSY	MFC-1910W		
1-1	LT3406001	1	PANEL PCB ASSY	MFC-1910WE		
1-1	LT3406001	1	PANEL PCB ASSY	MFC-1911NW		
1-1	LT3406001	1	PANEL PCB ASSY	MFC-1911W		
1-1	LT3406001	1	PANEL PCB ASSY	MFC-1912WR		
1-1	LT3406001	1	PANEL PCB ASSY	MFC-1915W		
1-1	LT3406001	1	PANEL PCB ASSY	MFC-1916NW		
1-1	LT3263001	1	PANEL PCB ASSY	MFC-1919NW		
1-2	A62144001	1	LCD	DCP-1610W		
1-2	A62144001	1	LCD	DCP-1610WE		
1-2	A62144001	1	LCD	DCP-1610WR		
1-2	A62144001	1	LCD	DCP-1612W		
1-2	A62144001	1	LCD	DCP-1612WE		
1-2	A62144001	1	LCD	DCP-1612WR		
1-2	A62144001	1	LCD	DCP-1615NW		
1-2	A62144001	1	LCD	DCP-1616NW		
1-2	A62144001	1	LCD	DCP-1617NW		
1-2	A62145001	1	LCD	DCP-1618W		
1-2	A62144001	1	LCD	DCP-1622WE		
1-2	A62144001	1	LCD	MFC-1910W		

9. PANEL

REF No.	CODE	Q'T Y	DESCRIPTION	MODEL	SPEC	REMARKS
1-2	A62144001	1	LCD	MFC-1910WE		
1-2	A62144001	1	LCD	MFC-1911NW		
1-2	A62144001	1	LCD	MFC-1911W		
1-2	A62144001	1	LCD	MFC-1912WR		
1-2	A62144001	1	LCD	MFC-1915W		
1-2	A62144001	1	LCD	MFC-1916NW		
1-2	A62145001	1	LCD	MFC-1919NW		

10. PCB



10. PCB

REF No.	CODE	QTY	DESCRIPTION	MODEL	SPEC	REMARKS
1	LT3338001	1	MAIN PCB UNIT	DCP-1610W		
1	LT3338001	1	MAIN PCB UNIT	DCP-1610WE		
1	LT3338001	1	MAIN PCB UNIT	DCP-1610WR		
1	LT3338001	1	MAIN PCB UNIT	DCP-1612W		
1	LT3338001	1	MAIN PCB UNIT	DCP-1612WE		
1	LT3338001	1	MAIN PCB UNIT	DCP-1612WR		
1	LT3340001	1	MAIN PCB UNIT	DCP-1615NW		
1	LT3340001	1	MAIN PCB UNIT	DCP-1616NW		
1	LT3340001	1	MAIN PCB UNIT	DCP-1617NW		
1	LT3259001	1	MAIN PCB UNIT	DCP-1618W		
1	LT3338001	1	MAIN PCB UNIT	DCP-1622WE		
1	D00E3C001	1	MAIN PCB UNIT	MFC-1910W		CHG
1	D00E3C001	1	MAIN PCB UNIT	MFC-1910WE		CHG
1	LT3346001	1	MAIN PCB UNIT	MFC-1911NW		
1	D00E3C001	1	MAIN PCB UNIT	MFC-1911W		CHG
1	D00E3C001	1	MAIN PCB UNIT	MFC-1912WR		CHG
1	LT3344001	1	MAIN PCB UNIT	MFC-1915W		
1	LT3348001	1	MAIN PCB UNIT	MFC-1916NW		
1	LT3261001	1	MAIN PCB UNIT	MFC-1919NW		
2	LT3293012	1	MODEM PCB ASSY	MFC-1910W	FOR GER	
2	LT3292011	1	MODEM PCB ASSY	MFC-1910W	FOR UK/FRA/BEL/NLD/ITA/ ISR/TWN/SAF/THA/KOR/IBR/ MYS/UAE/MENA	
2	LT3294013	1	MODEM PCB ASSY	MFC-1910W	FOR OCE	
2	LT3292011	1	MODEM PCB ASSY	MFC-1910WE		
2	LT3292011	1	MODEM PCB ASSY	MFC-1911NW		
2	LT3292011	1	MODEM PCB ASSY	MFC-1911W		
2	LT3292011	1	MODEM PCB ASSY	MFC-1912WR		
2	LT3279034	1	MODEM PCB ASSY	MFC-1915W		
2	LT3279034	1	MODEM PCB ASSY	MFC-1916NW		
2	LT3279034	1	MODEM PCB ASSY	MFC-1919NW		
3	LT2390001	1	MODEM PCB FLAT CABLE	MFC-1910W		
3	LT2390001	1	MODEM PCB FLAT CABLE	MFC-1910WE		
3	LT2390001	1	MODEM PCB FLAT CABLE	MFC-1911NW		
3	LT2390001	1	MODEM PCB FLAT CABLE	MFC-1911W		
3	LT2390001	1	MODEM PCB FLAT CABLE	MFC-1912WR		
3	LT2390001	1	MODEM PCB FLAT CABLE	MFC-1915W		
3	LT2390001	1	MODEM PCB FLAT CABLE	MFC-1916NW		
3	LT2390001	1	MODEM PCB FLAT CABLE	MFC-1919NW		
4	LT2734001	1	LOW VOLTAGE POWER SUPPLY PCB UNIT 230V	DCP-1610W	FOR GER/FRA/BEL/NLD/ ITA/THA/PND/IBR	
4	LT2717001	1	LOW VOLTAGE POWER SUPPLY PCB UNIT 230V	DCP-1610W	FOR UK/MYS	
4	LT3386001	1	LOW VOLTAGE POWER SUPPLY PCB UNIT 230V	DCP-1610W	FOR ISR	
4	LT2736001	1	LOW VOLTAGE POWER SUPPLY PCB UNIT 115V	DCP-1610W	FOR TWN	
4	LT2808001	1	LOW VOLTAGE POWER SUPPLY PCB UNIT 230V	DCP-1610W	FOR SAF	
4	LT2807001	1	LOW VOLTAGE POWER SUPPLY PCB UNIT 230V	DCP-1610W	FOR KOR	
4	LT2806001	1	LOW VOLTAGE POWER SUPPLY PCB UNIT 230V	DCP-1610W	FOR OCE	
4	LT2799001	1	LOW VOLTAGE POWER SUPPLY PCB UNIT 230V	DCP-1610W	FOR UAE	
4	LT2800001	1	LOW VOLTAGE POWER SUPPLY PCB UNIT 230V	DCP-1610W	FOR MENA	
4	LT2734001	1	LOW VOLTAGE POWER SUPPLY PCB UNIT 230V	DCP-1610WE		
4	LT2800001	1	LOW VOLTAGE POWER SUPPLY PCB UNIT 230V	DCP-1610WR		
4	LT3611001	1	LOW VOLTAGE POWER SUPPLY PCB UNIT 115V	DCP-1612W	FOR CAN	
4	LT2734001	1	LOW VOLTAGE POWER SUPPLY PCB UNIT 230V	DCP-1612W	FOR GER/FRA/BEL/NLD/ITA/PND/IBR	
4	LT2717001	1	LOW VOLTAGE POWER SUPPLY PCB UNIT 230V	DCP-1612W	FOR UK	
4	LT2804001	1	LOW VOLTAGE POWER SUPPLY PCB UNIT 230V	DCP-1612W	FOR CHE	
4	LT2734001	1	LOW VOLTAGE POWER SUPPLY PCB UNIT 230V	DCP-1612WE		

10. PCB

REF No.	CODE	QTY	DESCRIPTION	MODEL	SPEC	REMARKS
4	LT2800001	1	LOW VOLTAGE POWER SUPPLY PCB UNIT 230V	DCP-1612WR		
4	LT2734001	1	LOW VOLTAGE POWER SUPPLY PCB UNIT 230V	DCP-1615NW		
4	LT2734001	1	LOW VOLTAGE POWER SUPPLY PCB UNIT 230V	DCP-1616NW	FOR VNM/IDN	
4	LT3896001	1	LOW VOLTAGE POWER SUPPLY PCB UNIT 230V 1.8M LONG	DCP-1616NW	FOR IND	chg
4	LT2801001	1	LOW VOLTAGE POWER SUPPLY PCB UNIT 230V	DCP-1617NW	FOR ARG	
4	LT2802001	1	LOW VOLTAGE POWER SUPPLY PCB UNIT 230V	DCP-1617NW	FOR CHL	
4	LT3818001	1	LOW VOLTAGE POWER SUPPLY PCB UNIT 115V	DCP-1617NW	FOR BRA	
4	LT2430001	1	LOW VOLTAGE POWER SUPPLY PCB UNIT 115V	DCP-1617NW	FOR MEX	
4	LT2803001	1	LOW VOLTAGE POWER SUPPLY PCB UNIT 230V	DCP-1617NW	FOR PER	
4	LT2395001	1	LOW VOLTAGE POWER SUPPLY PCB UNIT 230V	DCP-1618W		
4	LT2734001	1	LOW VOLTAGE POWER SUPPLY PCB UNIT 230V	DCP-1622WE		
4	LT2734001	1	LOW VOLTAGE POWER SUPPLY PCB UNIT 230V	MFC-1910W	FOR GER/FRA/BEL/NLD/ITA/THA/IBR	
4	LT2717001	1	LOW VOLTAGE POWER SUPPLY PCB UNIT 230V	MFC-1910W	FOR UK/MYS	
4	LT3386001	1	LOW VOLTAGE POWER SUPPLY PCB UNIT 230V	MFC-1910W	FOR ISR	
4	LT2736001	1	LOW VOLTAGE POWER SUPPLY PCB UNIT 115V	MFC-1910W	FOR TWN	
4	LT2808001	1	LOW VOLTAGE POWER SUPPLY PCB UNIT 230V	MFC-1910W	FOR SAF	
4	LT2807001	1	LOW VOLTAGE POWER SUPPLY PCB UNIT 230V	MFC-1910W	FOR KOR	
4	LT2806001	1	LOW VOLTAGE POWER SUPPLY PCB UNIT 230V	MFC-1910W	FOR OCE	
4	LT2799001	1	LOW VOLTAGE POWER SUPPLY PCB UNIT 230V	MFC-1910W	FOR UAE	
4	LT2800001	1	LOW VOLTAGE POWER SUPPLY PCB UNIT 230V	MFC-1910W	FOR MENA	
4	LT2734001	1	LOW VOLTAGE POWER SUPPLY PCB UNIT 230V	MFC-1910WE		
4	LT2734001	1	LOW VOLTAGE POWER SUPPLY PCB UNIT 230V	MFC-1911NW	FOR IDN	
4	LT3896001	1	LOW VOLTAGE POWER SUPPLY PCB UNIT 230V 1.8M LONG	MFC-1911NW	FOR IND	chg
4	LT2734001	1	LOW VOLTAGE POWER SUPPLY PCB UNIT 230V	MFC-1911W		
4	LT2800001	1	LOW VOLTAGE POWER SUPPLY PCB UNIT 230V	MFC-1912WR		
4	LT2799001	1	LOW VOLTAGE POWER SUPPLY PCB UNIT 230V	MFC-1915W	FOR UAE	
4	LT2800001	1	LOW VOLTAGE POWER SUPPLY PCB UNIT 230V	MFC-1915W	FOR MENA	
4	LT2734001	1	LOW VOLTAGE POWER SUPPLY PCB UNIT 230V	MFC-1916NW		
4	LT2395001	1	LOW VOLTAGE POWER SUPPLY PCB UNIT 230V	MFC-1919NW		
5	LT2530001	1	HIGH VOLTAGE POWER SUPPLY PCB ASSY	DCP-1610W		
5	LT2530001	1	HIGH VOLTAGE POWER SUPPLY PCB ASSY	DCP-1610WE		
5	LT2530001	1	HIGH VOLTAGE POWER SUPPLY PCB ASSY	DCP-1610WR		
5	LT2530001	1	HIGH VOLTAGE POWER SUPPLY PCB ASSY	DCP-1612W		
5	LT2530001	1	HIGH VOLTAGE POWER SUPPLY PCB ASSY	DCP-1612WE		
5	LT2530001	1	HIGH VOLTAGE POWER SUPPLY PCB ASSY	DCP-1612WR		

10. PCB

REF No.	CODE	QTY	DESCRIPTION	MODEL	SPEC	REMARKS
5	LT2530001	1	HIGH VOLTAGE POWER SUPPLY PCB ASSY	DCP-1615NW		
5	LT2530001	1	HIGH VOLTAGE POWER SUPPLY PCB ASSY	DCP-1616NW		
5	LT2530001	1	HIGH VOLTAGE POWER SUPPLY PCB ASSY	DCP-1617NW		
5	LT2396001	1	HIGH VOLTAGE POWER SUPPLY PCB ASSY	DCP-1618W		
5	LT2530001	1	HIGH VOLTAGE POWER SUPPLY PCB ASSY	DCP-1622WE		
5	LT2530001	1	HIGH VOLTAGE POWER SUPPLY PCB ASSY	MFC-1910W		
5	LT2530001	1	HIGH VOLTAGE POWER SUPPLY PCB ASSY	MFC-1910WE		
5	LT2530001	1	HIGH VOLTAGE POWER SUPPLY PCB ASSY	MFC-1911NW		
5	LT2530001	1	HIGH VOLTAGE POWER SUPPLY PCB ASSY	MFC-1911W		
5	LT2530001	1	HIGH VOLTAGE POWER SUPPLY PCB ASSY	MFC-1912WR		
5	LT2530001	1	HIGH VOLTAGE POWER SUPPLY PCB ASSY	MFC-1915W		
5	LT2530001	1	HIGH VOLTAGE POWER SUPPLY PCB ASSY	MFC-1916NW		
5	LT2396001	1	HIGH VOLTAGE POWER SUPPLY PCB ASSY	MFC-1919NW		
(6)	D00DNH001	1	ERP LOT6 INSERTION**	MFC-1910W	FOR GER/UK/FRA/BEL/NLD/ITA/ISR/IBR	ADD
(6)	D00DNH001	1	ERP LOT6 INSERTION**	MFC-1910WE		ADD
(6)	D00DNH001	1	ERP LOT6 INSERTION**	MFC-1911W		ADD
(6)	D00DNH001	1	ERP LOT6 INSERTION**	MFC-1912WR		ADD

**When replacing the Main PCB UNIT for Europe production before August 2016, please use ERP LOT6 INSERTION together. Contents of these insertions are below in multiple language.

"Auto Power Off Mode

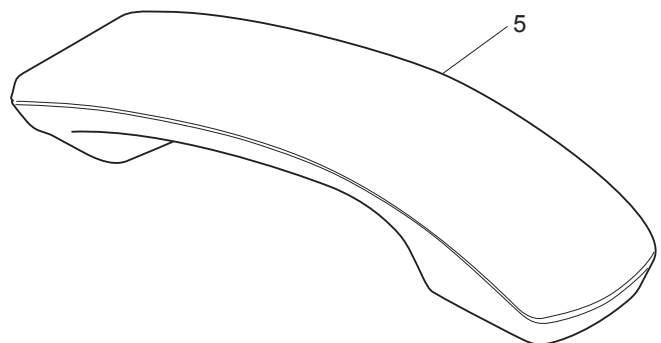
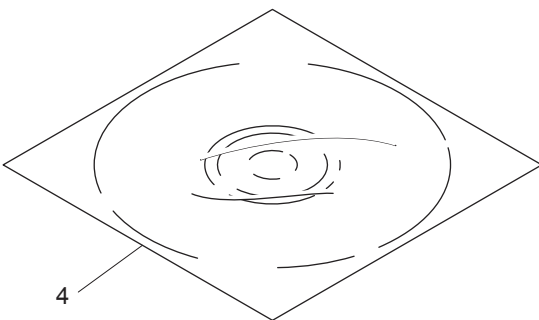
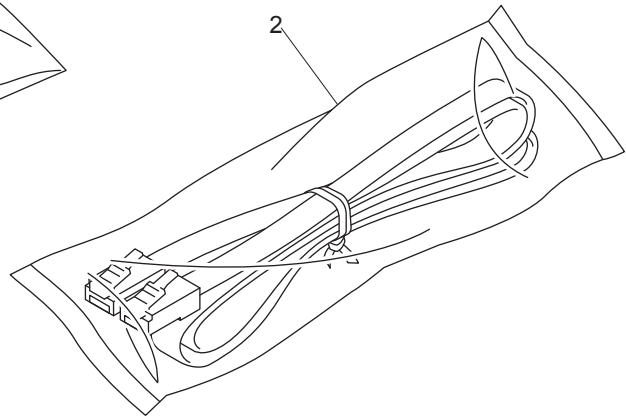
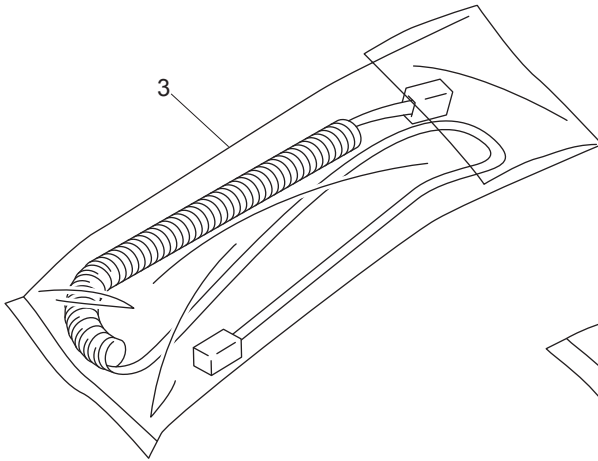
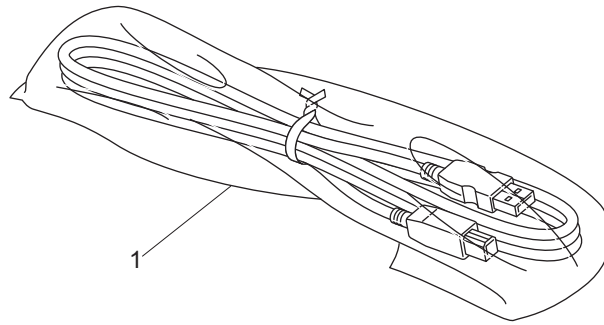
Auto Power Off Mode is available with your machine. If the machine is idle for a certain length of time, it will turn off automatically. You can change the Auto Power Off settings from the *Ecology* menu. Auto Power Off Mode is not available when your machine is connected to either a network or a telephone line.

This is because Auto Power Off Mode turns ON in default to comply with EU eco-design directive(ErP Lot6 Tier2) after production in September, 2016. (Only Russia is OFF in default) This function is available with the latest firmware and entering three spec code by Maintenance 74.

Table 1. Correspondence to ErP Lot6 Tier

MODEL	SPEC	MAIN PCB UNIT before August, 2016	MAIN PCB UNIT after September, 2016
MFC-1910W	FOR GER/UK/FRA/BEL/NLD/ITA/ISR/IBR	LT3342001	D00E3C001
MFC-1910WE			
MFC-1911W			
MFC-1912WR			

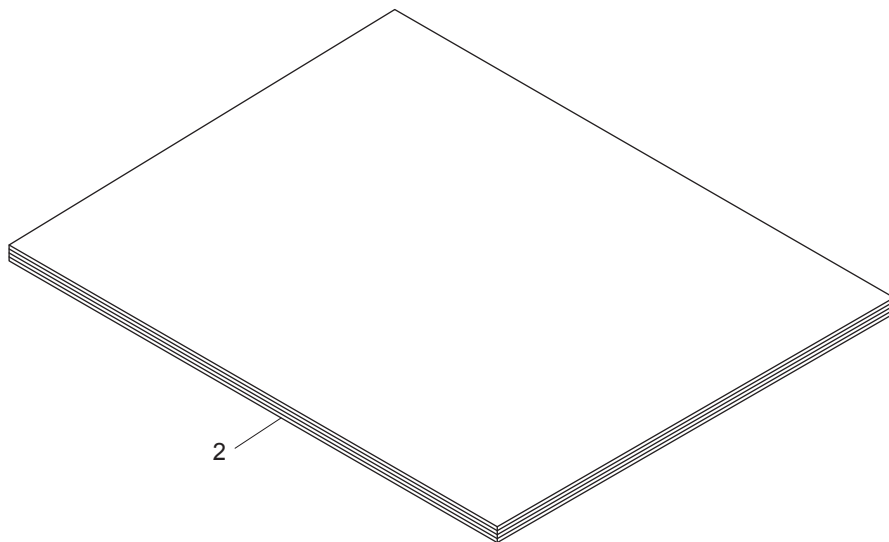
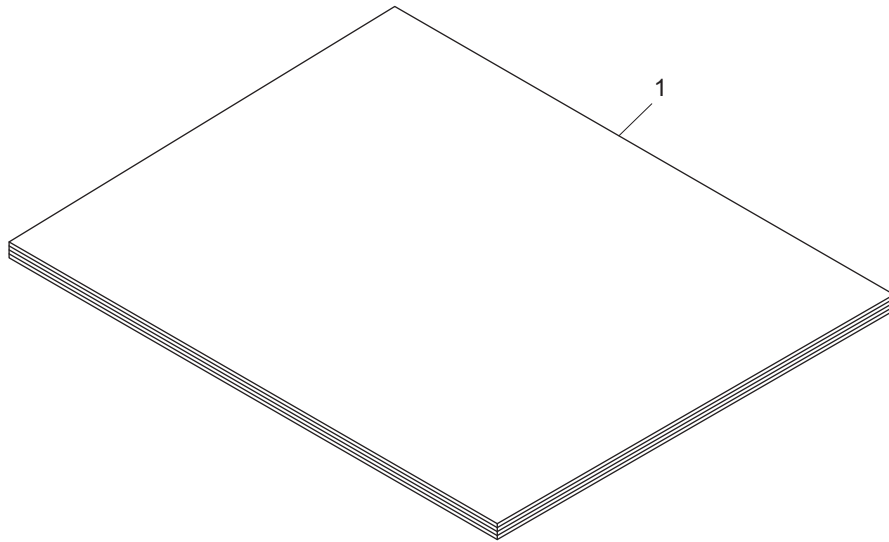
11. ACCESSORIES



11. ACCESSORIES

REF No.	CODE	QTY	DESCRIPTION	MODEL	SPEC	REMARKS
1	LJ9803001	1	USB CABLE 2.0		FOR CAN/GER/UK/FRA/BEL/NLD/ CHE/ITA/ISR/VNM/CHN/PHL/TWN/ SAF/TUR/IDN/THA/ARG/CHL/POL/ BRA/KOR/IND/MEX/RUS/OCE/PND/ CEE/IBR/MYS/PER/UAE/MENA	CHG
4	LT3877004	4	USB CABLE 2.0		FOR KOR	DEL
2	UG3625001	1	TELEPHONE LINE CORD GER	MFC-1910W	FOR GER	
2	UG3626001	1	TELEPHONE LINE CORD UK6P	MFC-1910W	FOR UK	
2	UG3627001	1	TELEPHONE LINE CORD FRA	MFC-1910W	FOR FRA	
2	UG1575001	1	TELEPHONE LINE CORD BEL	MFC-1910W	FOR BEL	
2	LT2144001	1	TELEPHONE LINE CORD ITA	MFC-1910W	FOR ITA	
2	LT3317001	1	TELEPHONE LINE CORD CSA2	MFC-1910W	FOR OCE	
2	UG4205001	1	TELEPHONE LINE CORD AUS	MFC-1910W	FOR GER	
2	LG3077001	1	TELEPHONE LINE CORD CSA	MFC-1910W	FOR UK/NLD/ISR/TWN/SAF/ THA/KOR/IBR/MYS/UAE/MENA	
2	LT3878004	4	TELEPHONE LINE CORD KOR	MFC-1910W	FOR KOR	DEL
2	UG3290001	1	TELEPHONE LINE CORD NZ	MFC-1910W	FOR OCE	
2	LG3077001	1	TELEPHONE LINE CORD CSA	MFC-1910WE		
2	LG3077001	1	TELEPHONE LINE CORD CSA	MFC-1911NW		
2	LG3077001	1	TELEPHONE LINE CORD CSA	MFC-1911W		
2	LG3077001	1	TELEPHONE LINE CORD CSA	MFC-1912WR		
2	LG3077001	1	TELEPHONE LINE CORD CSA	MFC-1915W		
2	LG3077001	1	TELEPHONE LINE CORD CSA	MFC-1916NW		
2	LT3841001	1	TELEPHONE LINE CORD CSA	MFC-1919NW		chg
3	LT2641001	1	CURLED CORD	MFC-1915W		
3	LT2641001	1	CURLED CORD	MFC-1916NW		
3	LT2641002	1	CURLED CORD	MFC-1919NW		
4	LES129001	1	CD ASSY	DCP-1610W	FOR GER/UK/FRA/BEL/NLD/ ITA/ISR/IBR	
4	LES123001	1	CD ASSY	DCP-1610W	FOR TWN/KOR	
4	LES121001	1	CD ASSY	DCP-1610W	FOR SAF/THA/OCE/MYS/UAE/MENA	
4	LES127001	1	CD ASSY	DCP-1610W	FOR PND	
4	LES971001	1	CD ASSY	DCP-1610WE		chg
4	LES971001	1	CD ASSY	DCP-1610WR		chg
4	LES131001	1	CD ASSY	DCP-1612W	FOR CAN	
4	LES129001	1	CD ASSY	DCP-1612W	FOR GER/UK/FRA/BEL/NLD/ CHE/ITA/IBR	
4	LES127001	1	CD ASSY	DCP-1612W	FOR PND	
4	LES971001	1	CD ASSY	DCP-1612WE		chg
4	LES971001	1	CD ASSY	DCP-1612WR		chg
4	LES121001	1	CD ASSY	DCP-1615NW		
4	LES121001	1	CD ASSY	DCP-1616NW		
4	LES131001	1	CD ASSY	DCP-1617NW		
4	LES124001	1	CD ASSY	DCP-1618W		
4	LES971001	1	CD ASSY	DCP-1622WE		
4	LES130001	1	CD ASSY	MFC-1910W	FOR GER/UK/FRA/BEL/NLD/ ITA/ISR/IBR	
4	LES123001	1	CD ASSY	MFC-1910W	FOR TWN/KOR	
4	LES122001	1	CD ASSY	MFC-1910W	FOR SAF/THA/OCE/MYS/UAE/MENA	
4	LES126001	1	CD ASSY	MFC-1910WE		
4	LES122001	1	CD ASSY	MFC-1911NW		
4	LES122001	1	CD ASSY	MFC-1911W		
4	LES126001	1	CD ASSY	MFC-1912WR		
4	LES122001	1	CD ASSY	MFC-1915W		
4	LES122001	1	CD ASSY	MFC-1916NW		
4	LES124001	1	CD ASSY	MFC-1919NW		
5	UF6857013	1	HANDSET	MFC-1915W		
5	UF6857013	1	HANDSET	MFC-1916NW		
5	UF6857016	1	HANDSET	MFC-1919NW		
(6)	LT3927001	1	TELEPHONE PLUG ARL	MFC-1910W	FOR OCE	chg
(7)	LES268001	1	FRENCH PANEL STICKER	DCP-1612W	FOR CAN	

12. PRINTED MATERIALS



12. PRINTED MATERIALS

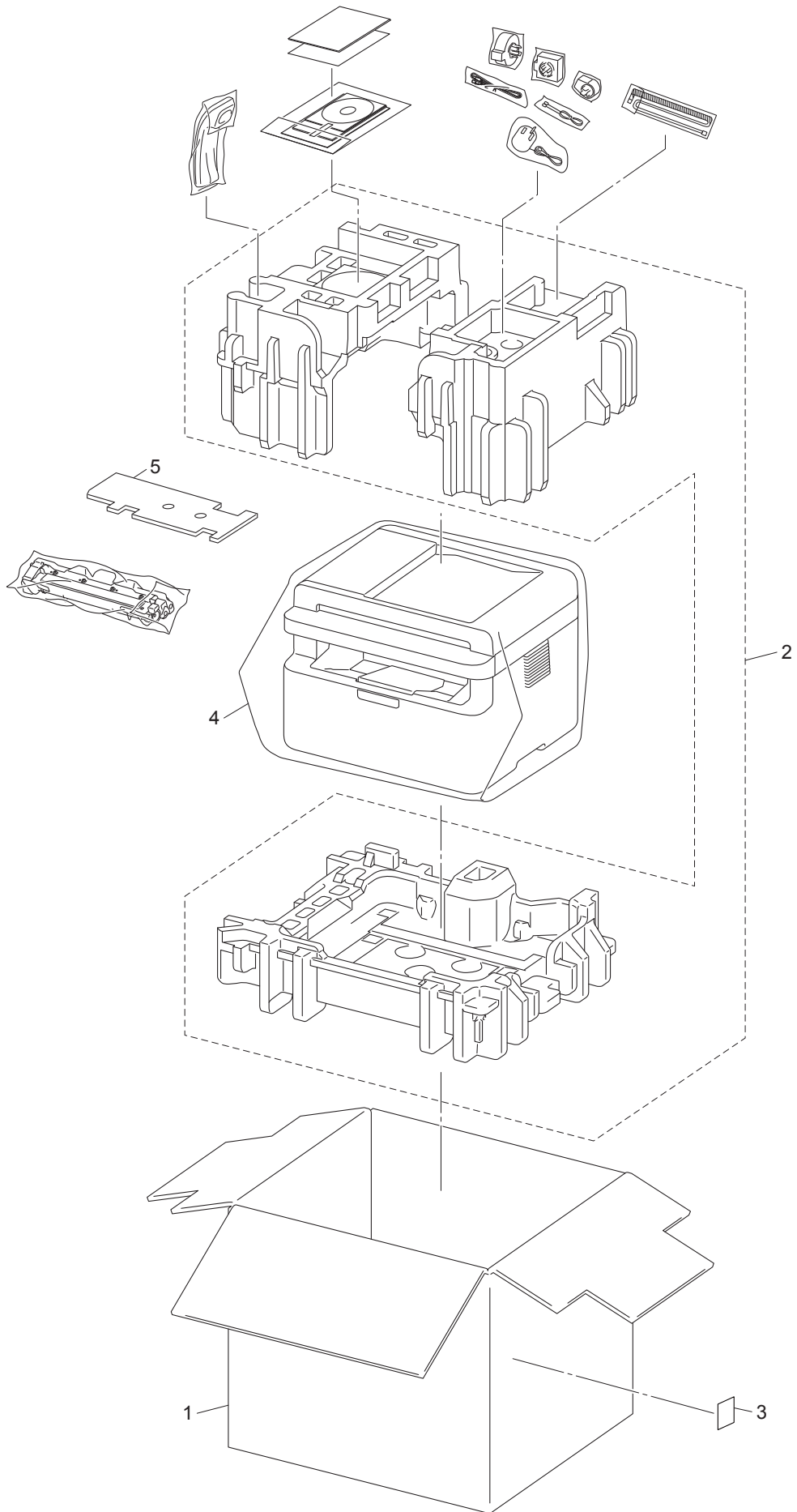
REF No.	CODE	QTY	DESCRIPTION	MODEL	SPEC	REMARKS
1	LES329001	1	USER'S GUIDE (ENGLISH)	DCP-1612W	FOR CAN	
1	LES329002	1	USER'S GUIDE (FRENCH)	DCP-1612W	FOR CAN	
1	LES328003	1	USER'S GUIDE (GERMAN)	MFC-1910W	FOR GER	
1	LES328004	1	USER'S GUIDE (ENGLISH)	MFC-1910W	FOR UK/ISR	
1	LES328005	1	USER'S GUIDE (FRENCH)	MFC-1910W	FOR FRA/BEL	
1	LES328009	1	USER'S GUIDE (DUTCH)	MFC-1910W	FOR BEL/NLD	
1	LES330015	1	USER'S GUIDE (SPANISH/PORTUGUESE)	MFC-1910W	FOR IBR	
1	LES328016	1	USER'S GUIDE (ITALIAN)	MFC-1910W	FOR ITA	
1	LES329019	1	USER'S GUIDE (VIETNAMESE)	DCP-1616NW	FOR VNM	
1	LES329019	1	USER'S GUIDE (VIETNAMESE)	MFC-1916NW		
1	LES332020	1	USER'S GUIDE (CHINESE)	DCP-1618W		
1	LES332020	1	USER'S GUIDE (CHINESE)	MFC-1919NW		
1	LES329023	1	USER'S GUIDE (CHINESE)	DCP-1610W	FOR TWN	
1	LES329023	1	USER'S GUIDE (CHINESE)	MFC-1910W	FOR TWN	
1	LES329025	1	USER'S GUIDE (TURKISH)	MFC-1911W		
1	LES329029	1	USER'S GUIDE (INDONESIAN)	DCP-1616NW	FOR IDN	
1	LES329029	1	USER'S GUIDE (INDONESIAN)	MFC-1911NW	FOR IDN	
1	LES332030	1	USER'S GUIDE (THAI)	DCP-1610W	FOR THA	
1	LES332030	1	USER'S GUIDE (THAI)	MFC-1910W	FOR THA	
1	LES331032	1	USER'S GUIDE (ARABIC)	DCP-1610W	FOR UAE/MENA	
1	LES331032	1	USER'S GUIDE (ARABIC)	MFC-1910W	FOR UAE/MENA	
1	LES331032	1	USER'S GUIDE (ARABIC)	MFC-1915W		
1	LES333040	1	USER'S GUIDE (ENGLISH)	DCP-1610W	FOR THA/OCE/MYS	
1	LES333040	1	USER'S GUIDE (ENGLISH)	DCP-1615NW		
1	LES333040	1	USER'S GUIDE (ENGLISH)	DCP-1616NW	FOR IND	
1	LES333040	1	USER'S GUIDE (ENGLISH)	MFC-1910W	FOR THA/OCE/MYS	
1	LES333040	1	USER'S GUIDE (ENGLISH)	MFC-1911NW	FOR IND	
1	LES329041	1	USER'S GUIDE (ENGLISH)	DCP-1610W	FOR SAF/UAE/MENA	
1	LES329041	1	USER'S GUIDE (ENGLISH)	MFC-1910W	FOR SAF/UAE/MENA	
1	LES329041	1	USER'S GUIDE (ENGLISH)	MFC-1915W		
1	LES329042	1	USER'S GUIDE (PORTUGUESE)	DCP-1617NW	FOR BRA	
1	LES329044	1	USER'S GUIDE (KOREAN)	DCP-1610W	FOR KOR	
1	LES329044	1	USER'S GUIDE (KOREAN)	MFC-1910W	FOR KOR	
1	LES329046	1	USER'S GUIDE (SPANISH)	DCP-1617NW	FOR ARG/CHL/MEX/PER	
1	LES330048	1	USER'S GUIDE	MFC-1912WR		
2	LES327001	1	QUICK SETUP GUIDE (ENGLISH)	DCP-1612W	FOR CAN	
2	LES441001	1	QUICK SETUP GUIDE (FRENCH)	DCP-1612W	FOR CAN	
2	LES442001	1	QUICK SETUP GUIDE	DCP-1617NW	FOR BRA	
2	LES443001	1	QUICK SETUP GUIDE (SPANISH)	DCP-1617NW	FOR ARG/CHL/MEX/PER	
2	LES444001	1	QUICK SETUP GUIDE (ENGLISH)	DCP-1610W	FOR UK/ISR	
2	LES444001	1	QUICK SETUP GUIDE (ENGLISH)	DCP-1610WE	FOR CEE	
2	LES444001	1	QUICK SETUP GUIDE (ENGLISH)	DCP-1612W	FOR UK	
2	LES444001	1	QUICK SETUP GUIDE (ENGLISH)	MFC-1910W	FOR UK/ISR	
2	LES444001	1	QUICK SETUP GUIDE (ENGLISH)	MFC-1910WE	FOR CEE	
2	LES445001	1	QUICK SETUP GUIDE (GERMAN)	DCP-1610W	FOR GER	
2	LES445001	1	QUICK SETUP GUIDE (GERMAN)	DCP-1612W	FOR GER/CHE	
2	LES445001	1	QUICK SETUP GUIDE (GERMAN)	MFC-1910W	FOR GER	
2	LES446001	1	QUICK SETUP GUIDE (FRENCH)	DCP-1610W	FOR FRA/BEL	
2	LES446001	1	QUICK SETUP GUIDE (FRENCH)	DCP-1612W	FOR FRA/BEL/CHE	
2	LES446001	1	QUICK SETUP GUIDE (FRENCH)	MFC-1910W	FOR FRA/BEL	
2	LES447001	1	QUICK SETUP GUIDE (ITALIAN)	DCP-1610W	FOR ITA	
2	LES447001	1	QUICK SETUP GUIDE (ITALIAN)	DCP-1612W	FOR CHE/ITA	
2	LES447001	1	QUICK SETUP GUIDE (ITALIAN)	MFC-1910W	FOR ITA	
2	LES448001	1	QUICK SETUP GUIDE (SPANISH)	DCP-1610W	FOR IBR	
2	LES448001	1	QUICK SETUP GUIDE (SPANISH)	DCP-1612W	FOR IBR	
2	LES448001	1	QUICK SETUP GUIDE (SPANISH)	MFC-1910W	FOR IBR	
2	LES449001	1	QUICK SETUP	DCP-1610W	FOR IBR	
2	LES449001	1	QUICK SETUP	DCP-1612W	FOR IBR	
2	LES449001	1	QUICK SETUP	MFC-1910W	FOR IBR	
2	LES450001	1	QUICK SETUP GUIDE (DUTCH)	DCP-1610W	FOR BEL/NLD	
2	LES450001	1	QUICK SETUP GUIDE (DUTCH)	DCP-1612W	FOR BEL/NLD	
2	LES450001	1	QUICK SETUP GUIDE (DUTCH)	MFC-1910W	FOR BEL/NLD	
2	LES451001	1	QUICK SETUP GUIDE (FINISH)	DCP-1610W	FOR PND	
2	LES451001	1	QUICK SETUP GUIDE (FINISH)	DCP-1612W	FOR PND	
2	LES452001	1	QUICK SETUP GUIDE (DANISH)	DCP-1610W	FOR PND	
2	LES452001	1	QUICK SETUP GUIDE (DANISH)	DCP-1612W	FOR PND	
2	LES453001	1	QUICK SETUP GUIDE	DCP-1610W	FOR PND	
2	LES453001	1	QUICK SETUP GUIDE	DCP-1612W	FOR PND	
2	LES454001	1	QUICK SETUP GUIDE (SWEDISH)	DCP-1610W	FOR PND	
2	LES454001	1	QUICK SETUP GUIDE (SWEDISH)	DCP-1612W	FOR PND	
2	LES455001	1	QUICK SETUP GUIDE (RUSSIAN)	DCP-1610WR		
2	LES455001	1	QUICK SETUP GUIDE (RUSSIAN)	DCP-1612WR		
2	LES455001	1	QUICK SETUP GUIDE (RUSSIAN)	MFC-1912WR		

ADD
ADD

12. PRINTED MATERIALS

REF No.	CODE	QTY	DESCRIPTION	MODEL	SPEC	REMARKS
2	LES456001	1	QUICK SETUP GUIDE (UKRAINIAN)	DCP-1610WR		
2	LES456001	1	QUICK SETUP GUIDE (UKRAINIAN)	DCP-1612WR		
2	LES456001	1	QUICK SETUP GUIDE (UKRAINIAN)	MFC-1912WR		
2	LES457001	1	QUICK SETUP GUIDE (KAZAKH)	DCP-1610WR		
2	LES457001	1	QUICK SETUP GUIDE (KAZAKH)	DCP-1612WR		
2	LES457001	1	QUICK SETUP GUIDE (KAZAKH)	MFC-1912WR		
2	LES458001	1	QUICK SETUP GUIDE	DCP-1610WR		
2	LES458001	1	QUICK SETUP GUIDE	DCP-1612WR		
2	LES458001	1	QUICK SETUP GUIDE	MFC-1912WR		
2	LES459001	1	QUICK SETUP GUIDE (SLOVAK)	DCP-1610WE	FOR CEE	
2	LES459001	1	QUICK SETUP GUIDE (SLOVAK)	MFC-1910WE	FOR CEE	
2	LES460001	1	QUICK SETUP GUIDE (BULGARIAN)	DCP-1610WE	FOR CEE	
2	LES460001	1	QUICK SETUP GUIDE (BULGARIAN)	MFC-1910WE	FOR CEE	
2	LES461001	1	QUICK SETUP GUIDE (ROMANIAN)	DCP-1610WE	FOR CEE	
2	LES461001	1	QUICK SETUP GUIDE (ROMANIAN)	MFC-1910WE	FOR CEE	
2	LES462001	1	QUICK SETUP GUIDE (CZECH)	DCP-1610WE	FOR CEE	
2	LES462001	1	QUICK SETUP GUIDE (CZECH)	MFC-1910WE	FOR CEE	
2	LES463001	1	QUICK SETUP GUIDE (HUNGARIAN)	DCP-1610WE	FOR CEE	
2	LES463001	1	QUICK SETUP GUIDE (HUNGARIAN)	MFC-1910WE	FOR CEE	
2	LES464001	1	QUICK SETUP GUIDE (POLISH)	DCP-1610WE		
2	LES464001	1	QUICK SETUP GUIDE (POLISH)	DCP-1612WE		
2	LES464001	1	QUICK SETUP GUIDE (POLISH)	DCP-1622WE		
2	LES464001	1	QUICK SETUP GUIDE (POLISH)	MFC-1910WE		
2	LES465001	1	QUICK SETUP GUIDE (SLOVENE)	DCP-1610WE	FOR CEE	
2	LES465001	1	QUICK SETUP GUIDE (SLOVENE)	MFC-1910WE	FOR CEE	
2	LES466001	1	QUICK SETUP GUIDE (CROATIAN)	DCP-1610WE	FOR CEE	
2	LES466001	1	QUICK SETUP GUIDE (CROATIAN)	MFC-1910WE	FOR CEE	
2	LES467001	1	QUICK SETUP GUIDE (SERBIAN)	DCP-1610WE	FOR CEE	
2	LES467001	1	QUICK SETUP GUIDE (SERBIAN)	MFC-1910WE	FOR CEE	
2	LES468001	1	QUICK SETUP GUIDE (TURKISH)	MFC-1911W		
2	LES469001	1	QUICK SETUP GUIDE (ARABIC)	DCP-1610W	FOR UAE/MENA	
2	LES469001	1	QUICK SETUP GUIDE (ARABIC)	MFC-1910W	FOR UAE/MENA	
2	LES469001	1	QUICK SETUP GUIDE (ARABIC)	MFC-1915W		
2	LES470001	1	QUICK SETUP GUIDE (ENGLISH)	DCP-1610W	FOR SAF/THA/OCE/MYS/UAE/MENA	
2	LES470001	1	QUICK SETUP GUIDE (ENGLISH)	DCP-1615NW		
2	LES470001	1	QUICK SETUP GUIDE (ENGLISH)	DCP-1616NW	FOR IND	
2	LES470001	1	QUICK SETUP GUIDE (ENGLISH)	MFC-1910W	FOR SAF/THA/OCE/MYS/UAE/MENA	
2	LES470001	1	QUICK SETUP GUIDE (ENGLISH)	MFC-1911NW	FOR IND	
2	LES470001	1	QUICK SETUP GUIDE (ENGLISH)	MFC-1915W		
2	LES471001	1	QUICK SETUP GUIDE (INDONESIAN)	DCP-1616NW	FOR IDN	
2	LES471001	1	QUICK SETUP GUIDE (INDONESIAN)	MFC-1911NW	FOR IDN	
2	LES472001	1	QUICK SETUP GUIDE	DCP-1616NW	FOR VNM	
2	LES472001	1	QUICK SETUP GUIDE	MFC-1916NW		
2	LES473001	1	QUICK SETUP GUIDE (THAI)	DCP-1610W	FOR THA	
2	LES473001	1	QUICK SETUP GUIDE (THAI)	MFC-1910W	FOR THA	
2	LES474001	1	QUICK SETUP GUIDE (KOREAN)	DCP-1610W	FOR KOR	
2	LES474001	1	QUICK SETUP GUIDE (KOREAN)	MFC-1910W	FOR KOR	
2	LES475001	1	QUICK SETUP GUIDE (CHINESE)	DCP-1610W	FOR TWN	
2	LES475001	1	QUICK SETUP GUIDE (CHINESE)	MFC-1910W	FOR TWN	
2	LES476001	1	QUICK SETUP GUIDE (CHINESE)	DCP-1618W		
2	LES476001	1	QUICK SETUP GUIDE (CHINESE)	MFC-1919NW		

13. PACKING MATERIALS



13. PACKING MATERIALS

REF No.	CODE	QTY	DESCRIPTION	MODEL	SPEC	REMARKS
1	LES367001	1	CARTON	DCP-1610W	FOR GER/UK/FRA/BEL/NLD/ ITA/ISR/PND/IBR	
1	LES397001	1	CARTON	DCP-1610W	FOR TWN/SAF/THA/KOR/ MYS/UAE/MENA	
1	LES400001	1	CARTON	DCP-1610W	FOR OCE	
1	LES370001	1	CARTON	DCP-1610WE		
1	LES373001	1	CARTON	DCP-1610WR		
1	LES361001	1	CARTON	DCP-1612W	FOR CAN	
1	LES376001	1	CARTON	DCP-1612W	FOR GER/UK/FRA/BEL/NLD/ CHE/ITA/PND/IBR	
1	LES960001	1	CARTON	DCP-1612WE		
1	LES377001	1	CARTON	DCP-1612WR		
1	LES394001	1	CARTON	DCP-1615NW		
1	LES391001	1	CARTON	DCP-1616NW	FOR VNM	
1	LES729001	1	CARTON	DCP-1616NW	FOR IDN	
1	LES732001	1	CARTON	DCP-1616NW	FOR IND	
1	LES364001	1	CARTON	DCP-1617NW	FOR ARG/CHL/BRA/PER	
1	D00CT1001	1	CARTON	DCP-1617NW	FOR BRA	ADD
1	LES937001	1	CARTON	DCP-1617NW	FOR MEX	add
1	LES429001	1	CARTON	DCP-1618W		
1	LES972001	1	CARTON	DCP-1622WE		
1	LES380001	1	CARTON	MFC-1910W	FOR GER/UK/FRA/BEL/NLD/ ITA/ISR/IBR	
1	LES403001	1	CARTON	MFC-1910W	FOR TWN/SAF/THA/KOR/ MYS/UAE/MENA	
1	LES412001	1	CARTON	MFC-1910W	FOR OCE	
1	LES383001	1	CARTON	MFC-1910WE		
1	LES409001	1	CARTON	MFC-1911NW	FOR IDN	
1	LES668001	1	CARTON	MFC-1911NW	FOR IND	
1	LES406001	1	CARTON	MFC-1911W		
1	LES386001	1	CARTON	MFC-1912WR		
1	LES418001	1	CARTON	MFC-1915W		
1	LES415001	1	CARTON	MFC-1916NW		
1	LES432001	1	CARTON	MFC-1919NW		
2	LEH899001	1	POLYSTYRENE PAD ASSY	DCP-1610W		
2	LEH899001	1	POLYSTYRENE PAD ASSY	DCP-1610WE		
2	LEH899001	1	POLYSTYRENE PAD ASSY	DCP-1610WR		
2	LEH899001	1	POLYSTYRENE PAD ASSY	DCP-1612W		
2	LEH899001	1	POLYSTYRENE PAD ASSY	DCP-1612WE		
2	LEH899001	1	POLYSTYRENE PAD ASSY	DCP-1612WR		
2	LEH920001	1	POLYSTYRENE PAD ASSY	DCP-1615NW		
2	LEH920001	1	POLYSTYRENE PAD ASSY	DCP-1616NW	FOR VNM/IDN	
2	LES900001	1	POLYSTYRENE PAD ASSY	DCP-1616NW	FOR IND	add
2	LEH920001	1	POLYSTYRENE PAD ASSY	DCP-1617NW		
2	LEH899001	1	POLYSTYRENE PAD ASSY	DCP-1618W		
2	LEH899001	1	POLYSTYRENE PAD ASSY	DCP-1622WE		
2	LEH920001	1	POLYSTYRENE PAD ASSY	MFC-1910W		
2	LEH920001	1	POLYSTYRENE PAD ASSY	MFC-1910WE		
2	LEH920001	1	POLYSTYRENE PAD ASSY	MFC-1911NW	FOR IDN	
2	LES900001	1	POLYSTYRENE PAD ASSY	MFC-1911NW	FOR IND	add
2	LEH920001	1	POLYSTYRENE PAD ASSY	MFC-1911W		
2	LEH920001	1	POLYSTYRENE PAD ASSY	MFC-1912WR		
2	LEH908001	1	POLYSTYRENE PAD ASSY	MFC-1915W		
2	LEH908001	1	POLYSTYRENE PAD ASSY	MFC-1916NW		
2	LEH908001	1	POLYSTYRENE PAD ASSY	MFC-1919NW		
3	LES833001	1	CHINA ENERGY LABEL	DCP-1618W		chg
3	LES835001	1	CHINA ENERGY LABEL	MFC-1919NW		chg
4	LEH180001	1	BAG 800X750H			
5	LEH923001	1	TONER PAD			
(6)	LES687001	1	CARTON LABEL	DCP-1610W	FOR TWN	add
(6)	LES664001	1	CARTON LABEL	MFC-1910W	FOR TWN	add