
9 Parts and diagrams

- [Order parts, accessories, and supplies](#)
- [Replacement kits](#)
- [Printer](#)
- [Input-accessory devices](#)
- [Output-accessory devices](#)
- [Automatic document-feeder \(ADF\)](#)
- [Scanner](#)
- [Alphabetical parts list](#)
- [Numerical parts list](#)

Order parts, accessories, and supplies

Several methods are available for ordering parts, supplies, and accessories.

Order directly from HP


You can obtain the following items directly from HP:

- **Replacement parts:** Outside the United States, order parts by contacting your local authorized HP service center. To order replacement parts in the U.S., go to the following Web sites:
 - HP Parts Store: www.hp.com/buy/parts
 - Partsurfer: www.partsurfer.hp.com
 - HP Parts Portal: www.hp.com/go/HPparts
- **Supplies and accessories:** To order supplies in the U.S., go to www.hp.com/go/ljsupplies. To order supplies worldwide, go to www.hp.com/ghp/buyonline.html. To order accessories, go to www.hp.com/support/cljcm6040mfp.

Order directly through the software

HP Easy Printer Care and HP ToolboxFX are product management tools designed to make product configuration, monitoring, supplies ordering, troubleshooting, and updating as simple and efficient as possible.

Orderable and non-orderable parts

-
-  **NOTE:** Not all components listed in the parts tables can be ordered. If a component listed has an associated part number, then it is a field-replaceable unit (FRU) and can be ordered. If the component does not have an associated part number, you must order the FRU that includes the desired component (if available).
-


Replacement kits

Printer supplies and accessories

Description	Part number	Product number	Qty
Control-panel kit with service document	Q3938-67963		1
Control-panel overlay kit, EN	Q3938-60107		1
Control-panel overlay kit, FR	Q3938-60108		1
Control-panel overlay kit, IT	Q3938-60109		1
Control-panel overlay kit, DE	Q3938-60110		1
Control-panel overlay kit, ES	Q3938-60111		1
Control-panel overlay kit, NL	Q3938-60112		1
Control-panel overlay kit, PT	Q3938-60113		1
Control-panel overlay kit, NO	Q3938-60114		1
Control-panel overlay kit, SV	Q3938-60115		1
Control-panel overlay kit, FI	Q3938-60116		1
Control-panel overlay kit, DA	Q3938-60117		1
Control-panel overlay kit, PL	Q3938-60118		1
Control-panel overlay kit, RU	Q3938-60119		1
Control-panel overlay kit, CS	Q3938-60120		1
Control-panel overlay kit, HU	Q3938-60121		1
Control-panel overlay kit, ZHTW	Q3938-60122		1
Control-panel overlay kit, ZHCN	Q3938-60123		1
Control-panel overlay kit, KO	Q3938-60124		1
Control-panel overlay kit, JA	Q3938-60125		1
Control-panel overlay kit, TR	Q3938-60126		1
Control-panel overlay kit, HE	Q3938-60127		1
Control-panel overlay kit, EL	Q3938-60128		1
Control-panel overlay kit, AR	Q3938-60129		1
Control-panel overlay kit, TH	Q3938-60130		1
Control-panel overlay kit, HR	Q3938-60133		1
Control-panel overlay kit, RO	Q3938-60134		1
Control-panel overlay kit, SK	Q3938-60135		1
Control-panel overlay kit, SL	Q3938-60136		1
Black print cartridge	CB390-67901	CB390A	1

Black image drum	CB384-67901	CB384A	1
Magenta print cartridge	CB383-67901	CB383A	1
Magenta image drum	CB387-67901	CB387A	1
Yellow print cartridge	CB382-67901	CB382A	1
Yellow image drum	CB386-67901	CB386A	1
Cyan print cartridge	CB381-67901	CB381A	1
Cyan image drum	CB385-67901	CB385A	1
Air-filter kit with service document	Q3931-67906		1
Image-transfer kit (150,000-page life) with service document	RM1-3307-000CN	CB463A	1
Image-fuser kit (110V) (100,000-page life) with service document	Q3938-67966	CB457A	1
Image-fuser kit (220V) (100,000-page life) with service document	Q3938-67967	CB458A	1
Formatter-assembly base kit with service document	Q3838-67960		1
Hard-drive kit with service document	Q3938-67961	J7989G	1
Memory kit, 128 MB, with service document	Q3931-67902		1
Memory kit, 256 MB, with service document	Q3931-67903		1
Memory kit, 512 MB, with service document	Q3931-67904		1
Fax card	Q3701-60014	Q3701A	
Cassette tray 2 kit with service document	Q3938-67955		1
Cassette tray 3-5 kit with service document	Q3938-67956		1
Tray 1 pickup-roller kit with service document	Q3938-67958		1
Tray 2-5 rollers kit with service document	Q3938-67959		1
T2-roller kit (150,000-page life) with service document	RM1-3319-000CN	CB459A	1
ADF roller kit (60,000-page life) with service document	Q3938-67969	CE487A	1
Duplex-switchback tray	Q3938-67964		1
Face-down cover kit with service document	Q3938-67957		1

Manual-service, EN	Q3938-90953		1
Manual-service chapter 6 and 7, EN	Q3938-90960		1
Manual-service chapter 6 and 7, FR	Q3938-90961		1
Manual-service chapter 6 and 7, DE	Q3938-9096		1
Manual-service chapter 6 and 7, IT	Q3938-90963		1
Manual-service chapter 6 and 7, ES	Q3938-90964		1
Manual-service chapter 6 and 7, KO	Q3938-90965		1
Manual-service chapter 6 and 7, ZHCN	Q3938-90966		1
CD-service	Q3938-60137		1
Security-lock adapter kit with service document	Q3931-67925	Q3931-67925	1
5000-staple replacement cartridge	C8091-67901 (Order this part number.)	C8091A	
2000-staple cartridge (for booklet making)	CC383-67901 (Order this part number.)	CC383A	

 **NOTE:** Only highlighted parts are orderable.

Printer

Printer parts

Figure 9-1 Printer external covers and panels

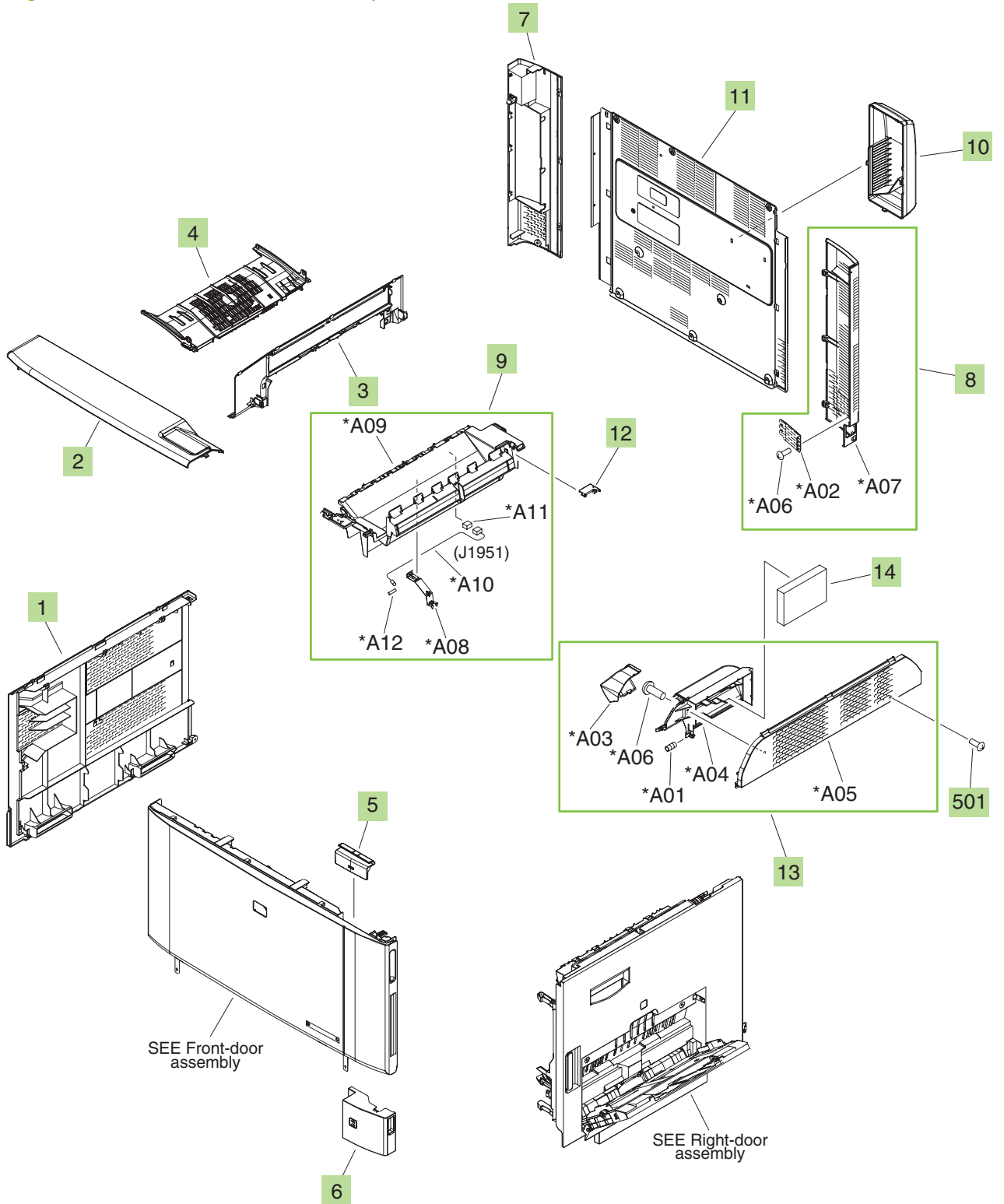


Table 9-1 Printer external covers and panels

Ref	Description	Part number	Qty
1	Cover, left	RC1-9336-000CN	1
2	Cover, front, upper	RC1-9350-000CN	1
3	Cover, paper-delivery	RC1-9351-000CN	1
4	Duplexing-tray lower assembly	RC1-5949-000CN	1
5	Front internal small-cover assembly	RC1-5953-000CN	1
6	Right-lower cover assembly	RL1-1280-000CN	1
7	Cover, rear-left	RC1-9344-000CN	1
8	Rear-right cover assembly	RM1-4415-000CN	1
9	Face-down end-tray assembly	RM1-3340-000CN	1
10	Fixing-fan cover assembly	RM1-5950-000CN	1
11	Cover, rear	RL1-1210-000CN	1
12	Cover, face-down drive	RC1-9360-000CN	1
13	Switchback-cover assembly	RM1-4408-000CN	1
14	Filter unit, air	RC1-9313-000CN	1
501	Screw, tapping, truss-head, M4X10	XB4-7401-005CN	1

 **NOTE:** Only highlighted parts are orderable.

Figure 9-2 Printer front-door assembly

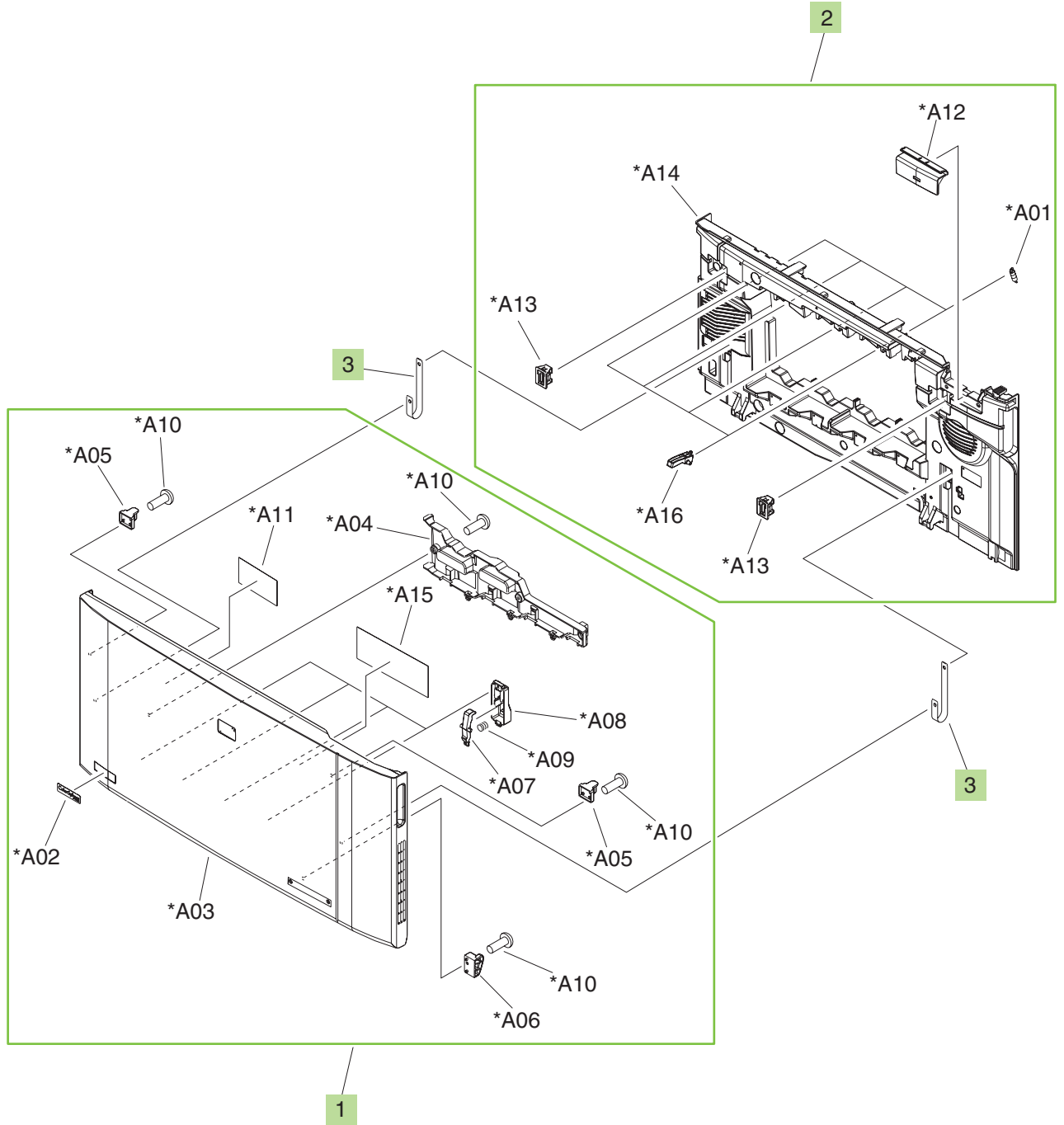


Table 9-2 Printer front-door assembly

Ref	Description	Part number	Qty
1	Front-cover assembly	RM1-3357-000CN	1
2	Front internal-cover assembly	RM1-4404-000CN	1
3	Band, door	RC1-9043-000CN	2

 **NOTE:** Only highlighted parts are orderable.

Figure 9-3 Printer right-door assembly

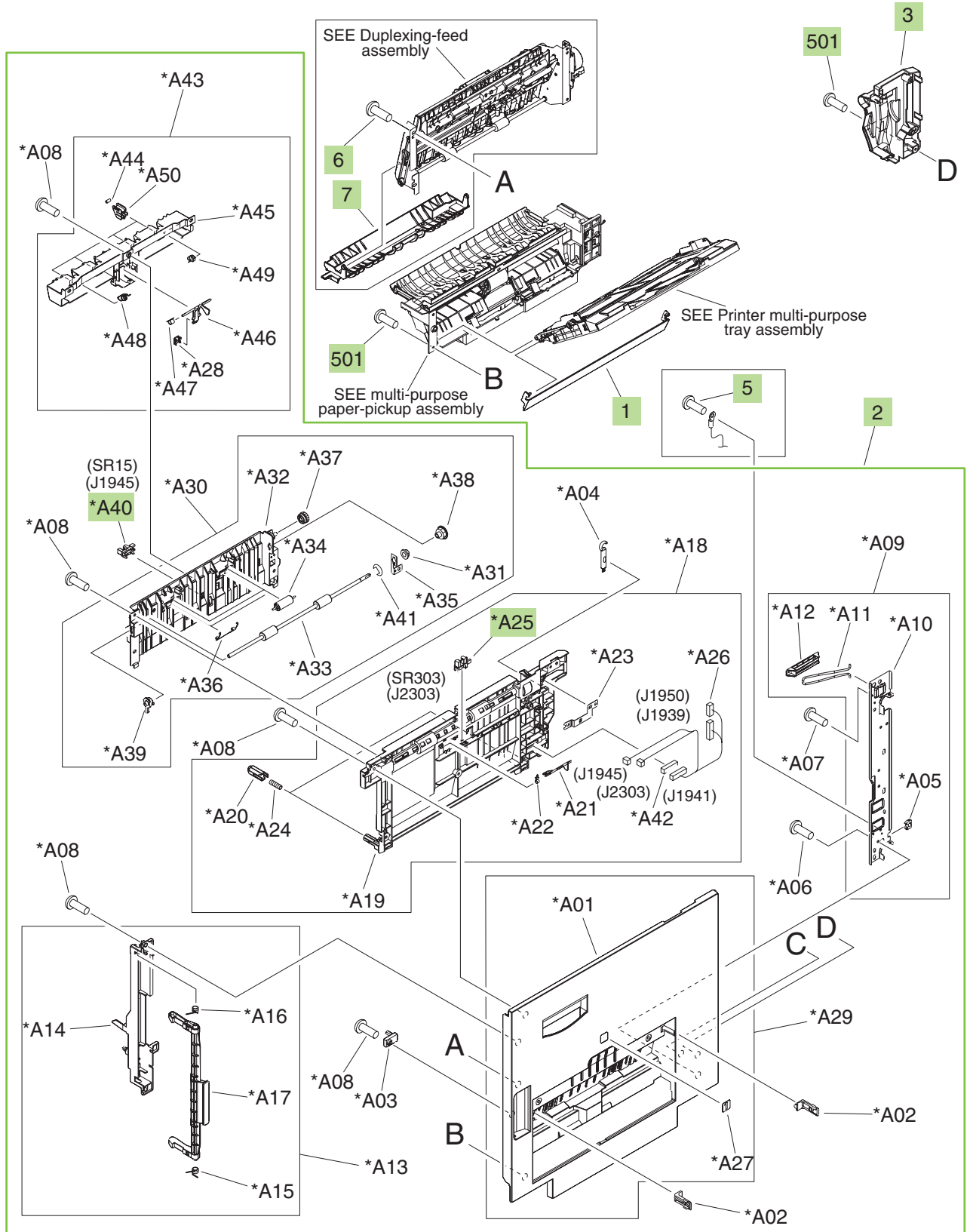


Table 9-3 Printer right-door assembly

Ref	Description	Part number	Qty
1	Cover, multi-purpose blanking	RC1-8527-000CN	1
2	Right-door sub-assembly	RM1-3333-000CN	1
3	Cover, motor	RC1-9511-000CN	1
5	Screw, RS, M3X6	XA9-1495-000CN	1
6	Screw, with washer, M4X12	XA9-1422-000CN	4
7	Guide, duplexing-feed, upper	RL1-1335-000CN	1
501	Screw, tapping, truss-head, M4X10	XB4-7401-005CN	7
A25	Photo interrupter, TLP1243	WG8-5696-000CN	1
A40	Photo interrupter, TLP1243	WG8-5696-000CN	1

 **NOTE:** Only highlighted parts are orderable.

Figure 9-4 Printer internal components (1 of 7)

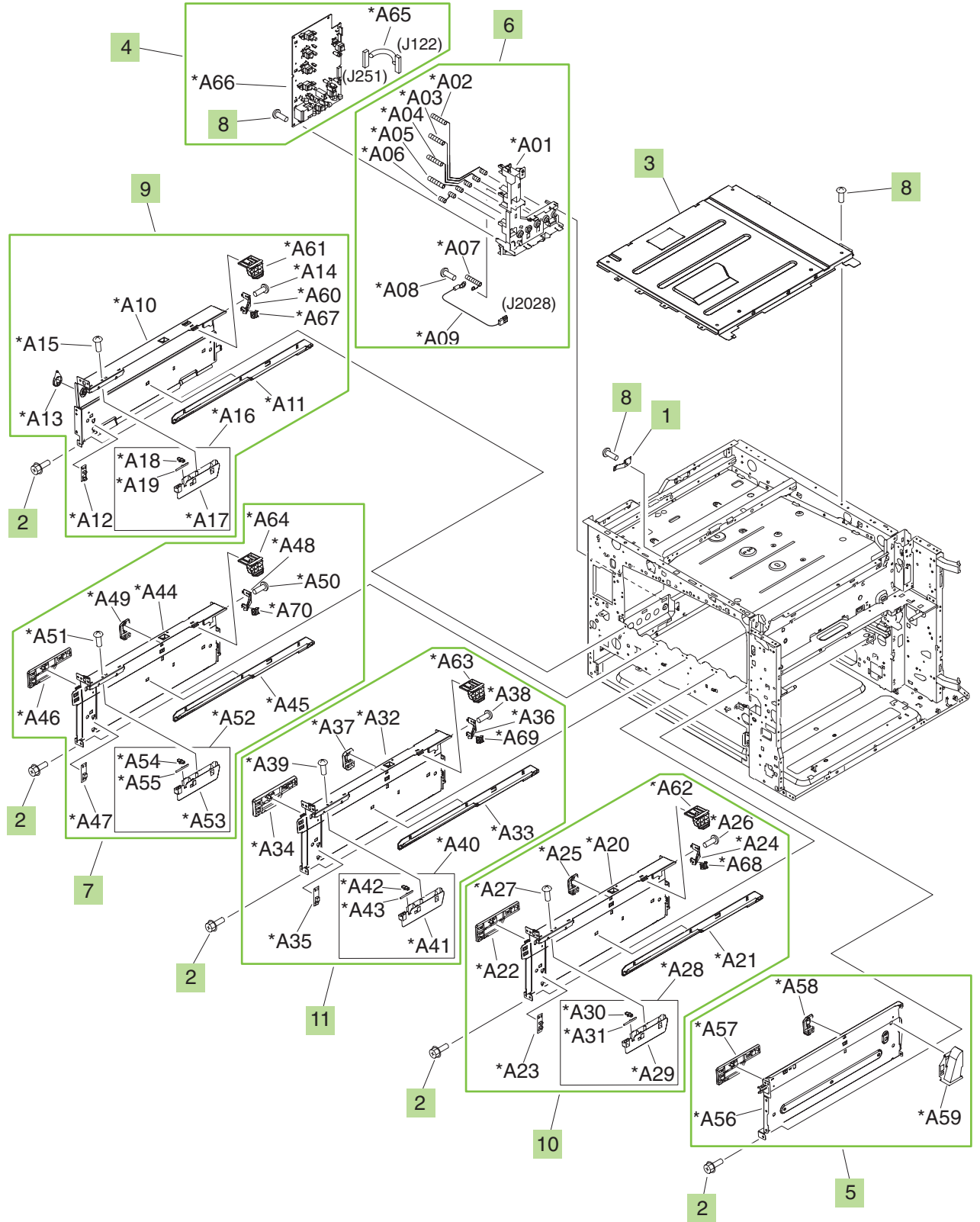


Table 9-4 Printer internal components (1 of 7)

Ref	Description	Part number	Qty
1	Spring, leaf	RC1-9233-000CN	1
2	Screw, RS, M3x8	XA9-1504-000CN	5
3	Top-cover assembly	RL1-1284-000CN	1
4	High-voltage transfer B PCA assembly	RM1-5475-000CN	1
5	Right-side wall assembly	RM1-3239-000CN	1
6	Transfer contact-holder assembly	RM1-3230-000CN	1
7	Partition-plate assembly, cyan	RM1-3238-000CN	1
8	Screw, RS, M3x6	XA9-1495-000CN	10
9	Left-side wall assembly	RM1-3233-000CN	1
10	Partition-plate assembly, yellow	RM1-3235-000CN	1
11	Partition-plate assembly, magenta	RM1-3237-000CN	1

 **NOTE:** Only highlighted parts are orderable.

Figure 9-5 Printer internal components (2 of 7)

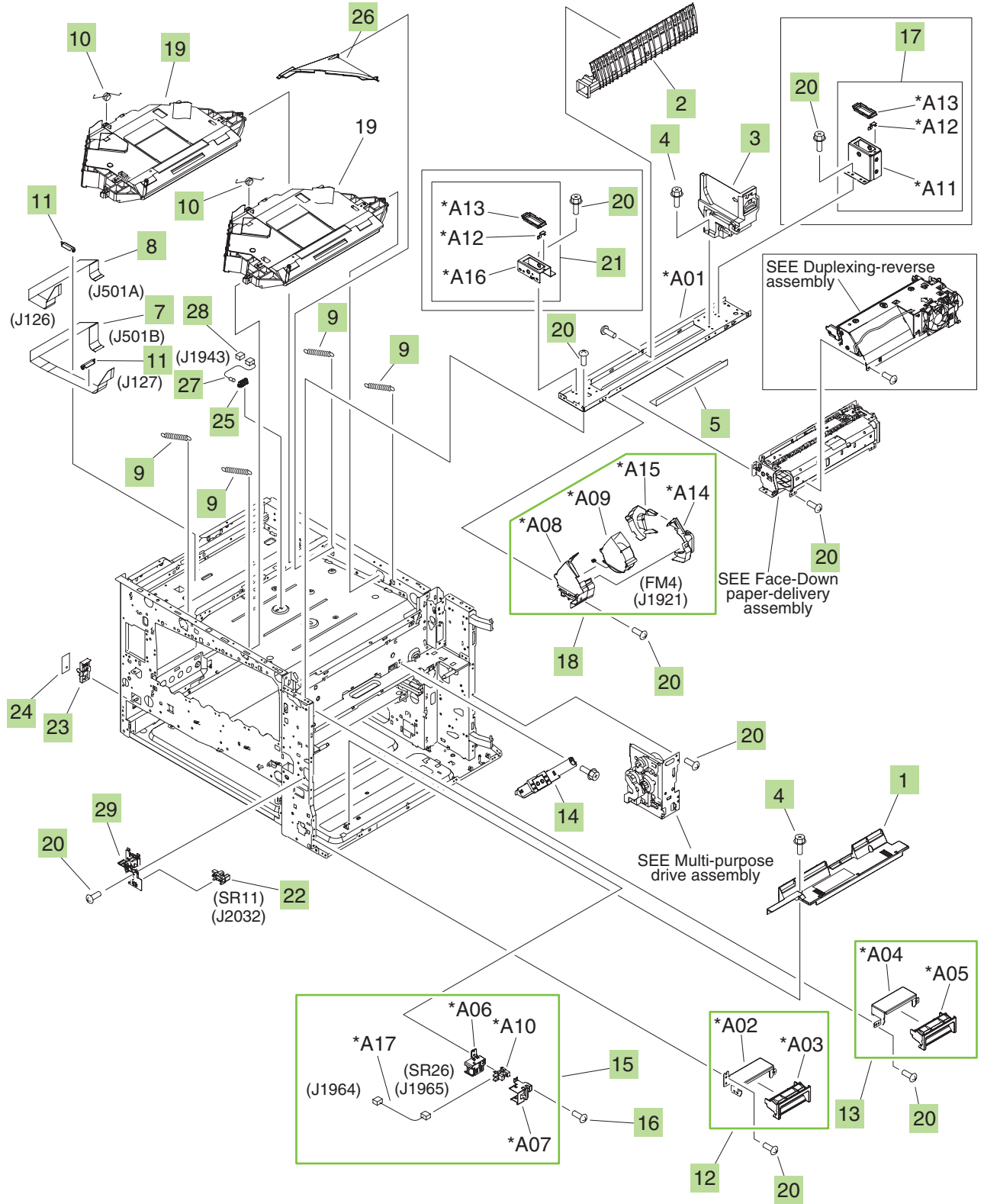


Table 9-5 Printer internal components (2 of 7)

Ref	Description	Part number	Qty
1	Guide, multi-purpose, right	RL1-1283-000CN	1
2	Guide, face-down inner	RC1-8959-000CN	1
3	Rail, reverse, rear	RC1-9206-000CN	1
4	Screw, RS, M3x8	XA9-1504-000CN	10
5	Sheet, fixing-crossmember	RC1-9232-000CN	1
7	Cable, laser flexible flat	RK2-1354-000CN	1
8	Cable, laser flexible flat	RK2-1355-000CN	1
9	Spring, tension	RU5-2822-000CN	4
10	Spring, torsion	RU5-2825-000CN	2
11	Clamp, FFC	WT2-5912-000CN	2
12	Grip-support front assembly	RM1-3225-000CN	1
13	Grip-support rear assembly	RM1-3226-000CN	1
14	Thermopile case assembly	RM1-3232-000CN	1
15	Photosensor assembly	RM1-3250-000CN	1
16	Screw, RS, M3x8	XA9-1449-000CN	2
17	Reader rear-guide assembly	RM1-4399-000CN	1
18	Fan assembly	RM1-3364-000CN	1
19	Scanner assembly kit with 1 scanner assembly and service document	Q3931-67907	1
20	Screw, RS, M3x6	XA9-1495-000CN	20
21	Reader front-guide assembly	RM1-4398-000CN	1
22	Photo interrupter, TLP1243	WG8-5696-000CN	1
23	Holder, environment-sensor	RC1-9324-000CN	1
24	Sensor unit, humidity	RK2-2376-000CN	1
25	Holder, scanner-thermistor	RC1-9260-000CN	1
26	Duct, scanner	RC1-9334-000CN	1
27	Thermistor unit	RK2-1363-000CN	1
28	Connector, snap-tight	VS1-7177-002CN	1
29	Interlock-switch assembly	RM1-3589-000CN	1

 **NOTE:** Only highlighted parts are orderable.

Figure 9-6 Printer internal components (3 of 7)

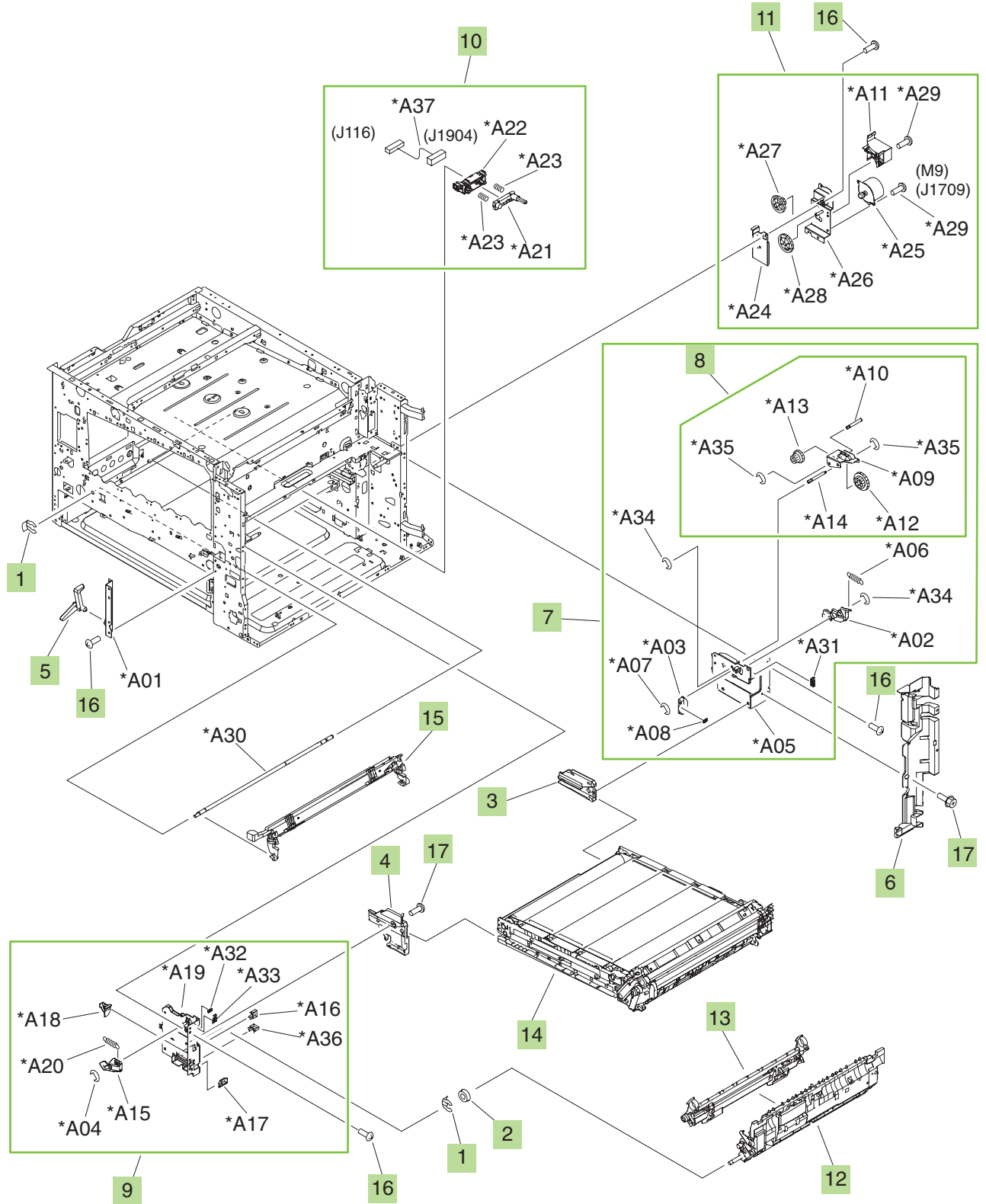


Table 9-6 Printer internal components (3 of 7)

Ref	Description	Part number	Qty
1	Retainer	RC1-8511-000CN	2
2	Bushing	RC1-8734-000CN	1
3	Guide, intermediate transfer belt (ITB)-entrance, rear	RC1-9186-000CN	1
4	Guide, intermediate transfer belt (ITB)-entrance, front	RC1-9185-000CN	1
5	Arm, 1st-estrangement	RC1-9189-000CN	1
6	Cover, internal, right	RC1-9348-000CN	1
7	Intermediate transfer belt (ITB) lock-support rear assembly	RM1-3215-000CN	1
9	Intermediate transfer belt (ITB) lock-support front assembly	RM1-3228-000CN	1
10	Intermediate transfer belt (ITB)-drawer assembly	RM1-3240-000CN	1
11	Intermediate transfer belt (ITB) estrangement-drive assembly	RM1-3280-000CN	1
12	Registration 2nd-transfer assembly kit with service document	Q3931-67909	1
13	2nd-transfer-roller assembly kit	Q3931-67910	1
14	Intermediate transfer belt (ITB) assembly kit	Q3931-67908	1
15	Color-plane-registration (CPR) sensor assembly	RM1-3258-000CN	1
16	Screw, RS, M3x6	XA9-1495-000CN	10
17	Screw, RS, M3x8	XA9-1504-000CN	1

 **NOTE:** Only highlighted parts are orderable.

Figure 9-7 Printer internal components (4 of 7)

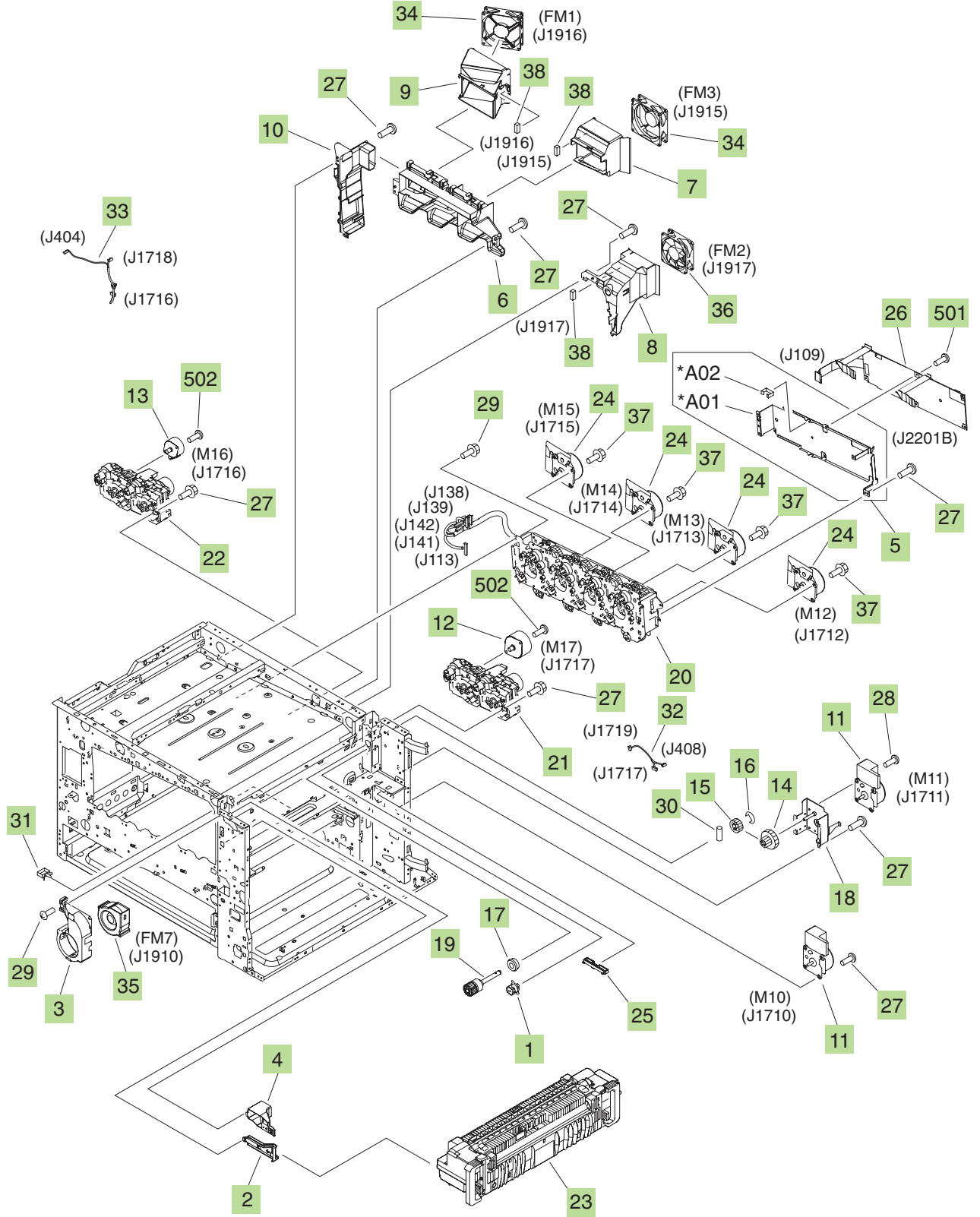


Table 9-7 Printer internal components (4 of 7)

Ref	Description	Part number	Qty
1	Damper, gear	RC1-8925-000CN	1
2	Rail, fixing, front	RC1-8931-000CN	1
3	Duct, air	RC1-8961-000CN	1
4	Duct, face-down joint	RC1-8964-000CN	1
5	Tag PCA-holder assembly	RM1-4402-000CN	1
6	Duct, cartridge	RC1-9276-000CN	1
7	Holder, cartridge-fan	RC1-9277-000CN	1
8	Holder, fixing-fan	RC1-9278-000CN	1
9	Holder, scanner-fan	RC1-9279-000CN	1
10	Duct, scanner-fan	RC1-9309-000CN	1
11	DC motor assembly	RM1-4519-000CN	2
12	Motor, stepping, DC	RK2-1366-000CN	1
13	Motor, stepping, DC	RK2-1370-000CN	1
14	Gear, 83T/25T	RU5-0790-000CN	1
15	Gear, 34T	RU5-0791-000CN	1
16	Ring, E	XD9-0234-000CN	1
17	Bearing, ball	XG9-0586-000CN	1
18	Plate, fixing-motor	RL1-1216-000CN	1
19	Fixing one-way gear assembly	RM1-3247-000CN	1
20	Main drive-unit kit	Q3931-67911	1
21	Toner-cartridge drive-assembly kit with service document	Q3931-67912	1
22	Toner-cartridge drive-assembly kit with service document	Q3931-67913	1
23	Fixing assembly kit, 110-127V, with air filter (air filter is Ref 14 in Printer external panels and covers)	Q3931-67914	1
23	Fixing assembly kit, 220-240V, with air filter (air filter is Ref 14 in Printer external panels and covers)	Q3931-67915	1
24	Drum-motor assembly	RM1-3286-000CN	4
25	Rail, fixing, rear	RC1-8939-000CN	1
26	Memory-tag PCA assembly	RM1-3585-000CN	1
27	Screw, RS, M3x6	XA9-1495-000CN	10
28	Screw, RS, M3x6	XA9-1495-000CN	4
29	Screw, RS, M3x8	XA9-1504-000CN	10
30	Pin, dowel	XD9-0240-000CN	1
31	Saddle, wire	WT2-5694-000CN	17
32	Toner-motor cable	RM1-3383-000CN	1

Table 9-7 Printer internal components (4 of 7) (continued)

Ref	Description	Part number	Qty
33	Toner-motor cable	RM1-3385-000CN	1
34	Fan	RK2-1377-000CN	2
35	Fan	RK2-1382-000CN	1
36	Fan	RK2-1378-000CN	1
37	Screw, TP, M3x6	XA9-1159-000CN	16
38	Connector, snap-tight	VS1-7177-003CN	3
501	Screw, with washer, M3x6	XB2-8300-607CN	5
502	Screw, machined, truss-head, M3x4	XB1-2300-407CN	4

 **NOTE:** Only highlighted parts are orderable.

Figure 9-8 Printer internal components (5 of 7)

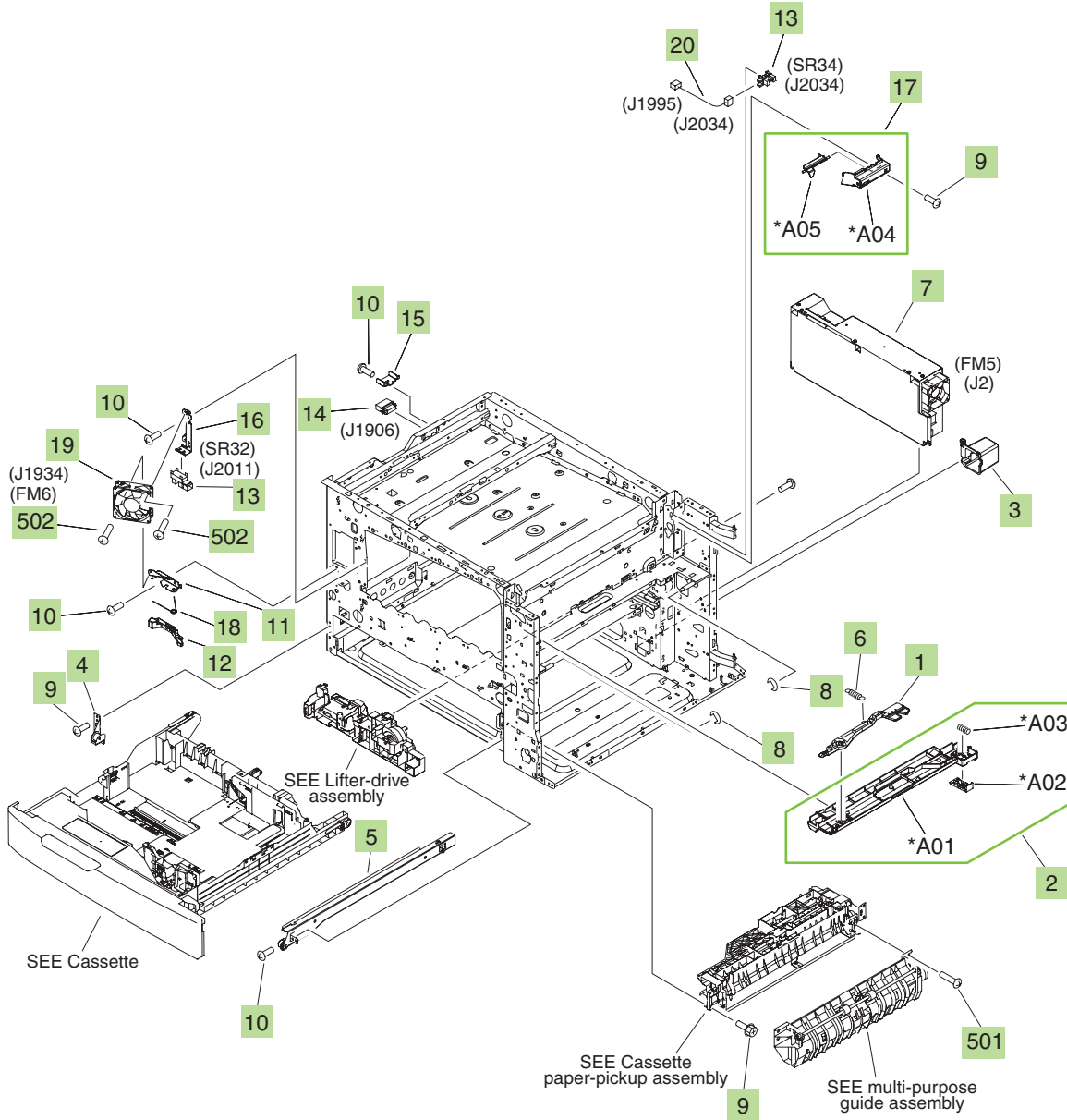


Table 9-8 Printer internal components (5 of 7)

Ref	Description	Part number	Qty
1	Lever, paper-sensing	RC1-8928-000CN	1
2	Intermediate transfer belt (ITB) duct assembly	RM1-4401-000CN	1
3	Cover, cassette back-end	RC1-9201-000CN	1
4	Rail, left, top	RL1-1213-000CN	1
5	Rail, cassette, right	RL1-1215-000CN	1
6	Spring, tension	RU5-2796-000CN	1
7	Low-voltage power-supply assembly	RM1-3594-000CN	1
8	Ring, E	XD9-0234-000CN	2
9	Screw, RS, M3x8	XA9-1504-000CN	10
10	Screw, RS, M3x6	XA9-1495-000CN	10
11	Plate, fan-fixing, front	RC1-9190-000CN	1
12	Lever, door-interlock shutter	RC1-9220-000CN	1
13	Photo interrupter, TLP1243	WG8-5696-000CN	2
14	Connector, drawer	VS1-7258-000CN	1
15	Plate, drawer-guard	RC1-9235-000CN	1
16	Plate, sensor, front	RC1-9246-000CN	1
17	Guide-sensor assembly	RM1-4400-000CN	1
18	Spring, torsion	RC1-9244-000CN	1
19	Fan	RK2-1378-000CN	1
20	Cable, fixing open-sensor	RM1-5029-000CN	1
501	Screw, tapping, truss-head, M4x10	XB4-7401-005CN	4
502	Screw, TP, M3x30	XB6-7303-005CN	2

 **NOTE:** Only highlighted parts are orderable.

Figure 9-9 Printer internal components (6 of 7)

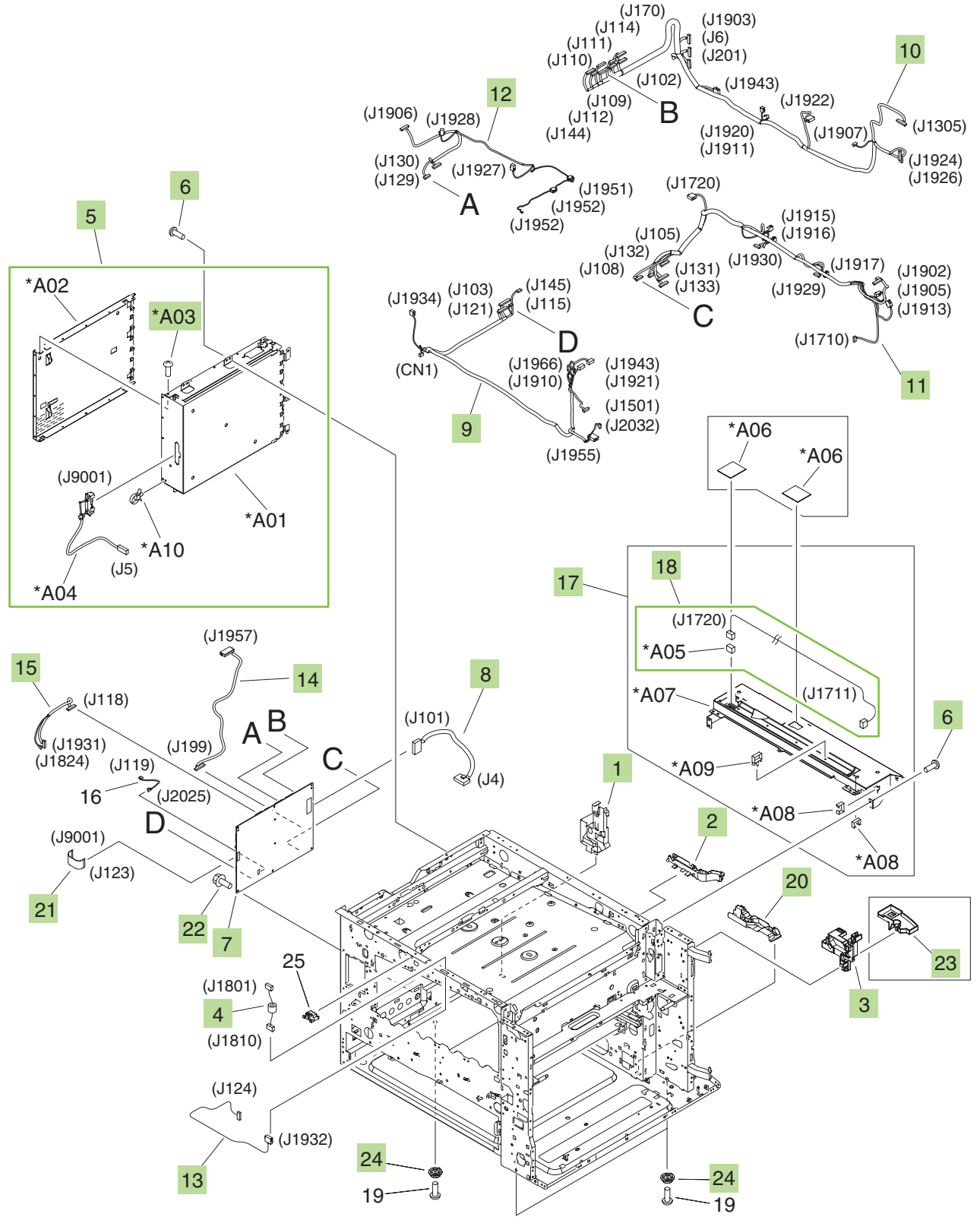


Table 9-9 Printer internal components (6 of 7)

Ref	Description	Part number	Qty
1	Guide, cable, C	RC1-9308-000CN	1
2	Guide, cable, D	RC1-9312-000CN	1
3	Guide, cable, E	RC1-9318-000CN	1
4	Panel cable	RM1-3389-000CN	1
5	Formatter-case assembly	RM1-3253-000CN	1
6	Screw, RS, M3x6	XA9-1495-000CN	20
7	DC-controller PCA assembly	RM1-6642-000CN	1
8	DC-controller power cable	RM1-3610-000CN	1
9	Front cable	RM1-3617-000CN	1
10	Rear-lower cable	RM1-3618-000CN	1
11	Rear-upper cable	RM1-3619-000CN	1
12	Scanner-joint cable	RM1-3620-000CN	1
13	Panel-joint cable	RM1-3622-000CN	1
14	Interface-joint cable	RM1-3623-000CN	1
15	Color-plane-registration (CPR)-joint cable	RM1-3624-000CN	1
16	Waste-toner-sensor cable	RM1-3640-000CN	1
17	Rear-cover-mount plate assembly	RM1-3354-000CN	1
18	Fixing-motor cable	RM1-3217-000CN	1
20	Guide, cable, B	RC1-9307-000CN	1
21	Cable, flexible flat	RK2-1356-000CN	1
22	Screw, RS, M3x8	XA9-1449-000CN	8
23	Tray, screw	RC1-9256-000CN	1
24	Foot, rubber	RC1-9208-000CN	3
A03	Screw, RS, M3x6	XA9-1495-000CN	11

 **NOTE:** Only highlighted parts are orderable.

Figure 9-10 Printer internal components (7 of 7)

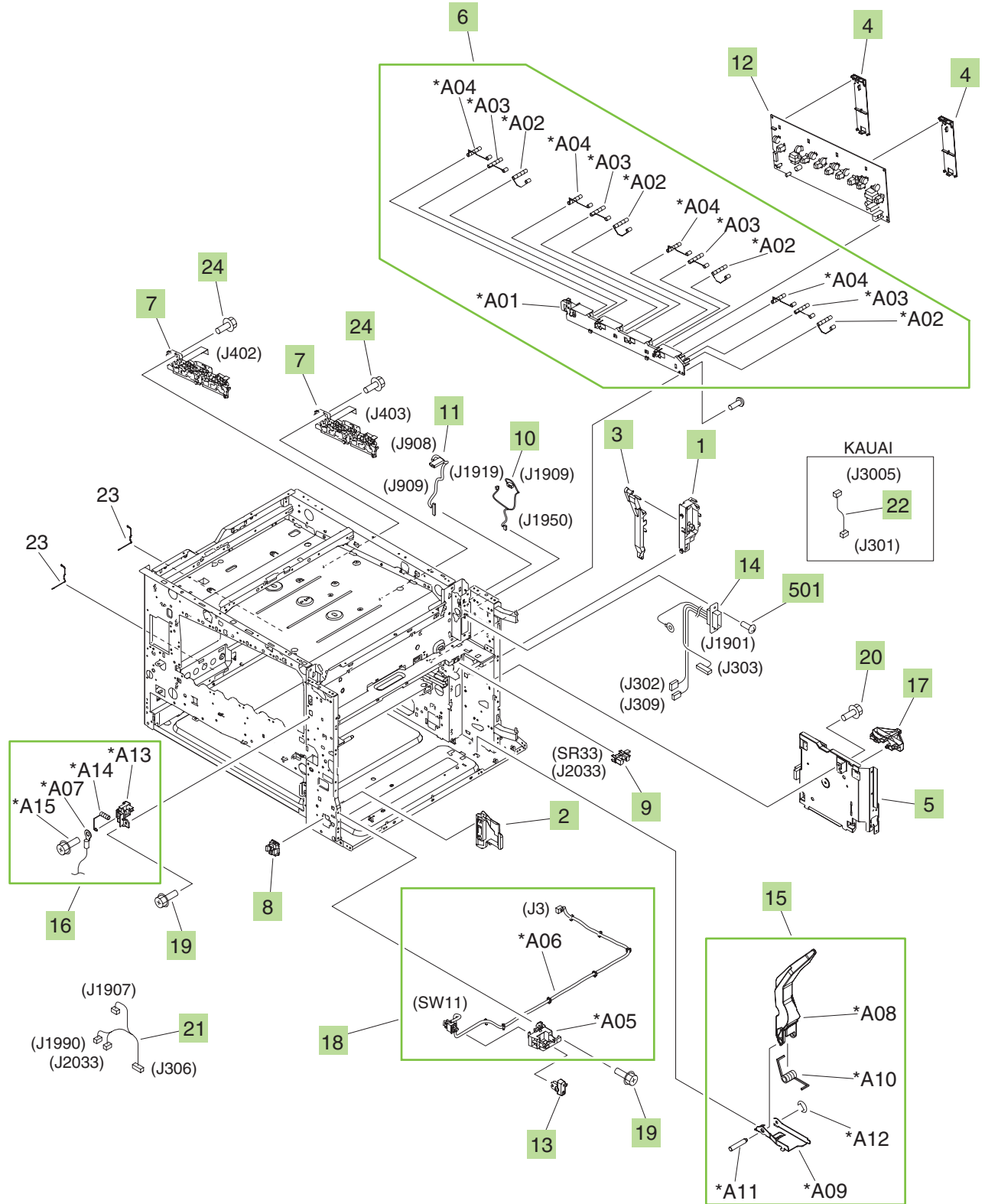


Table 9-10 Printer internal components (7 of 7)

Ref	Description	Part number	Qty
1	Guide, cable, A	RC1-9306-000CN	1
2	Cover, main-switch	RC1-9211-000CN	1
3	Guide, cable, F	RC1-9323-000CN	1
4	Plate, high-voltage transmission (HVT-A) guard	RC1-9326-000CN	1
5	Fixing power-supply assembly	RM1-3218-000CN	1
6	Cartridge contact-holder assembly	RM1-3254-000CN	1
7	Cartridge-interface assembly kit with service document	Q3931-67917	2
8	Holder, high-voltage-connector	RC1-9328-000CN	1
9	Photo interrupter, TLP1243	WG8-5696-000CN	1
10	Face-down unit-1 cable	RM1-3390-000CN	1
11	Face-down unit-2 cable	RM1-3391-000CN	1
12	High-voltage-transfer A PCA assembly	RM1-3582-000CN	2
13	Button, main-switch	RC1-9300-000CN	1
14	Fixing-joint cable	RM1-3612-000CN	1
15	T2 guide-arm assembly	RM1-4411-000CN	1
16	Fixing-bias cable assembly	RM1-4409-000CN	1
17	Guide, fixing-cable	RC1-9332-000CN	1
18	Main switch-holder assembly	RM1-3252-000CN	1
19	Screw, RS, M3x8	XA9-1504-000CN	47
20	Screw, RS, M3x6	XA9-1495-000CN	54
21	Cable TP/T2 open-sensor	RM1-5030-000CN	1
22	Cable, MFP AC	RM1-3599-000CN	1
24	Screw, RS, M13x12	XA9-1801-000CN	6
501	Screw, machined, truss-head, M4x8	XB1-2400-805CN	2

 **NOTE:** Only highlighted parts are orderable.

Figure 9-11 Printer multi-purpose-drive assembly

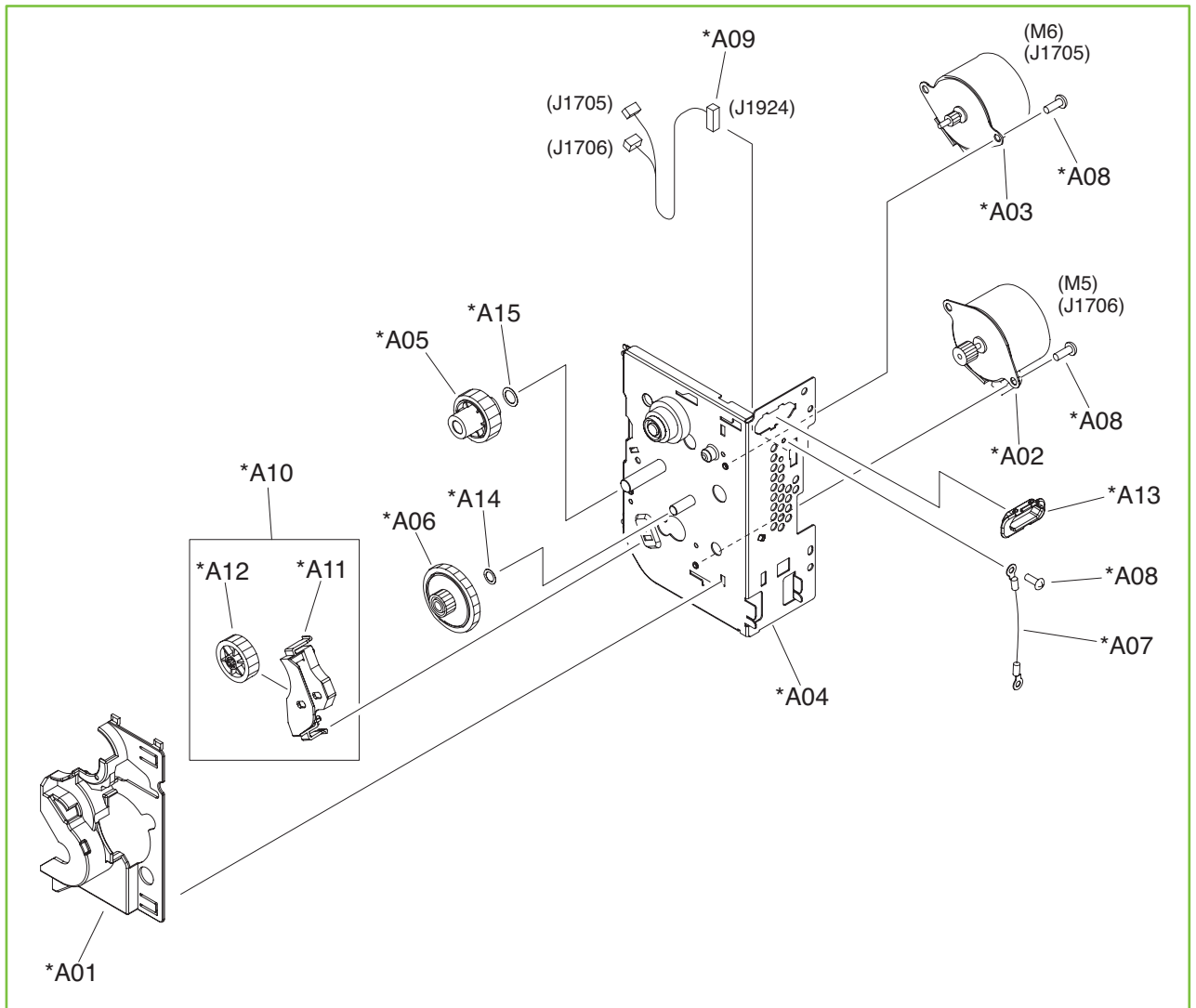


Table 9-11 Printer multi-purpose-drive assembly

Ref	Description	Part number	Qty
All	Multi-purpose-drive assembly	RM1-3366-000CN	1

 **NOTE:** Only highlighted parts are orderable.

Figure 9-12 Printer lifter-drive assembly

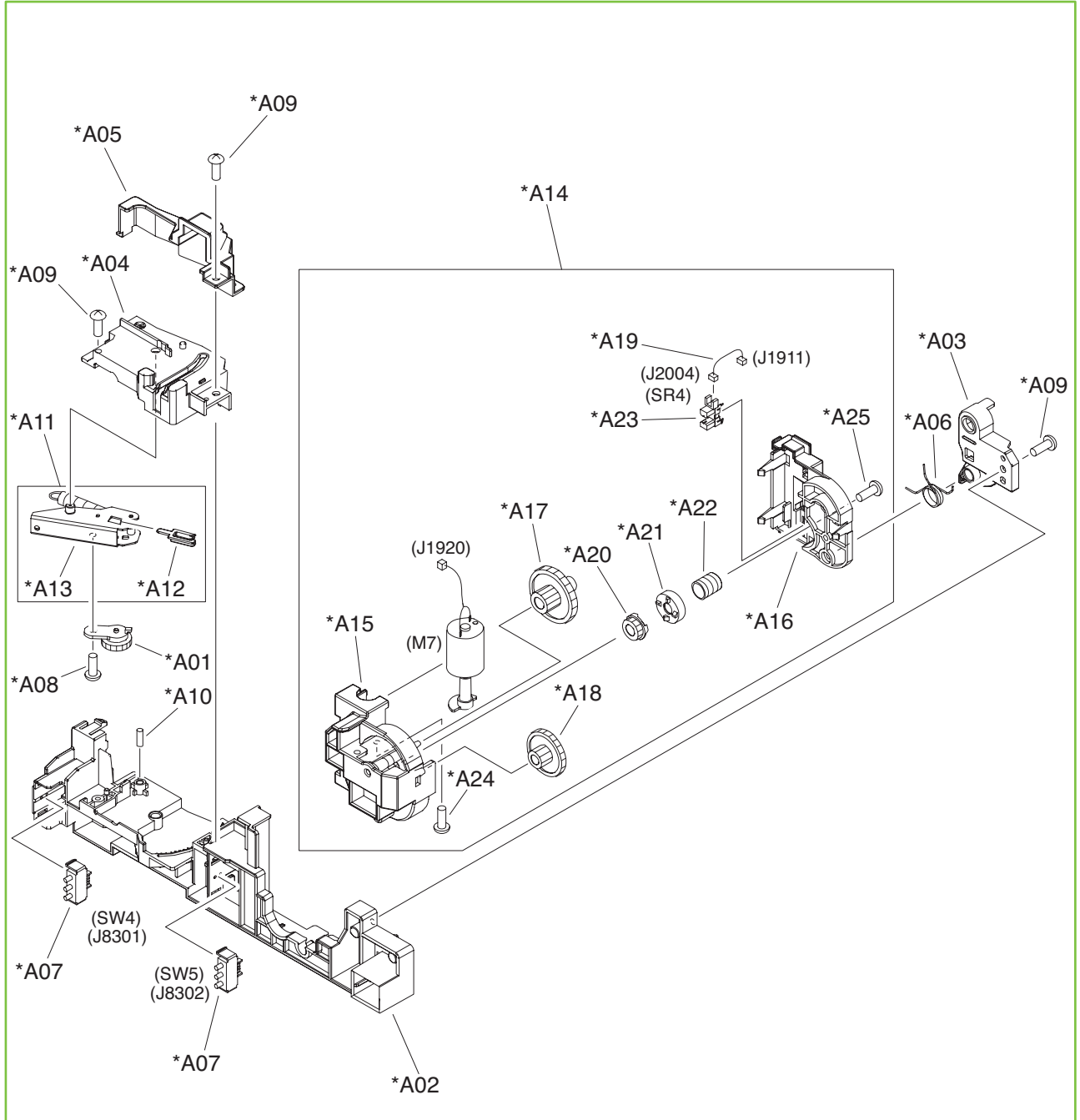


Table 9-12 Printer lifter-drive assembly

Ref	Description	Part number	Qty
All	Lifter-drive-assembly kit	RM1-3222-000CN	1

 **NOTE:** Only highlighted parts are orderable.

Figure 9-13 Printer cassette

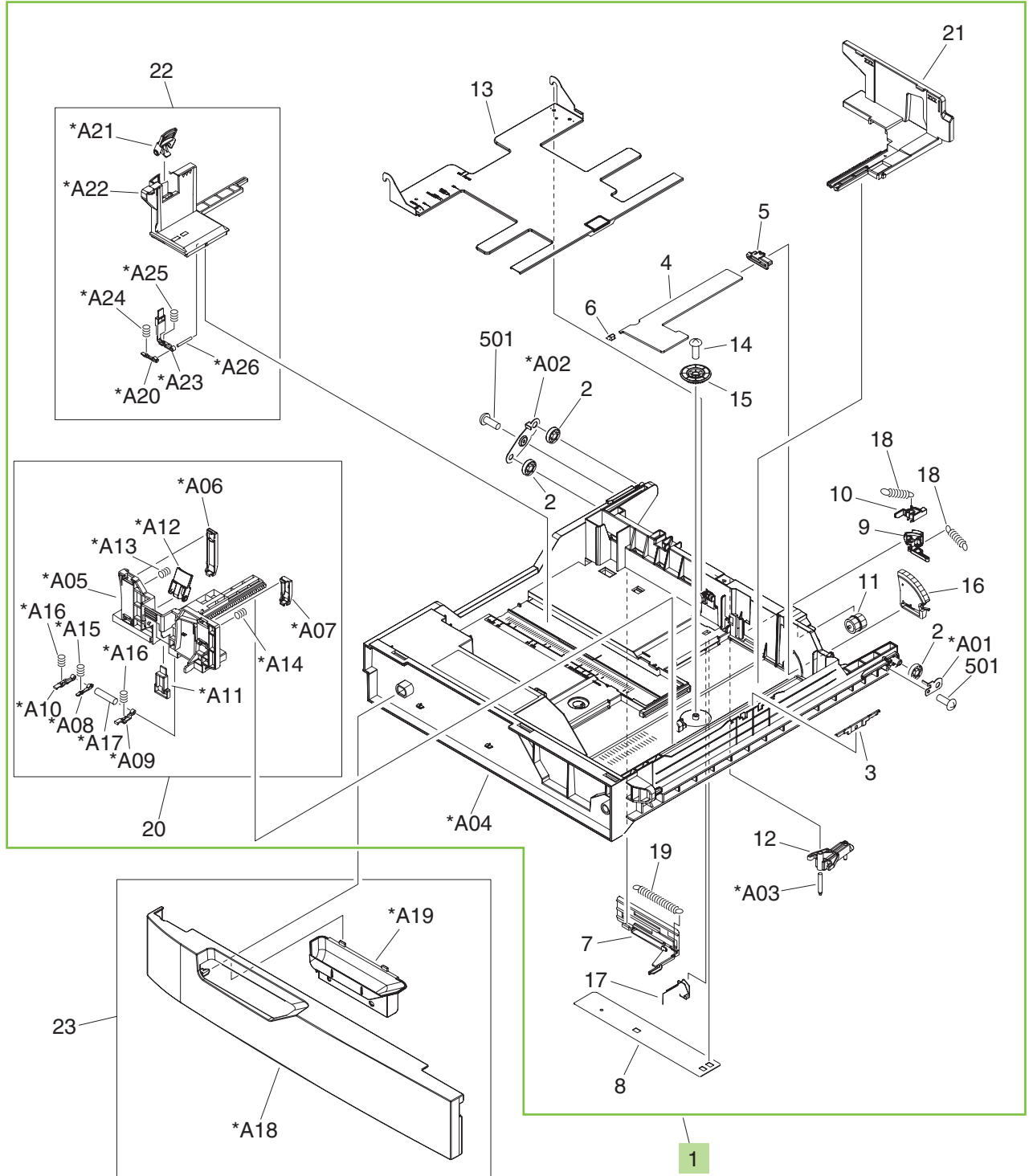


Table 9-13 Printer cassette

Ref	Description	Part number	Qty
1	Cassette-assembly kit with service document	Q3931-67918	1

 **NOTE:** Only highlighted parts are orderable.

Figure 9-14 Printer cassette paper-pickup assembly

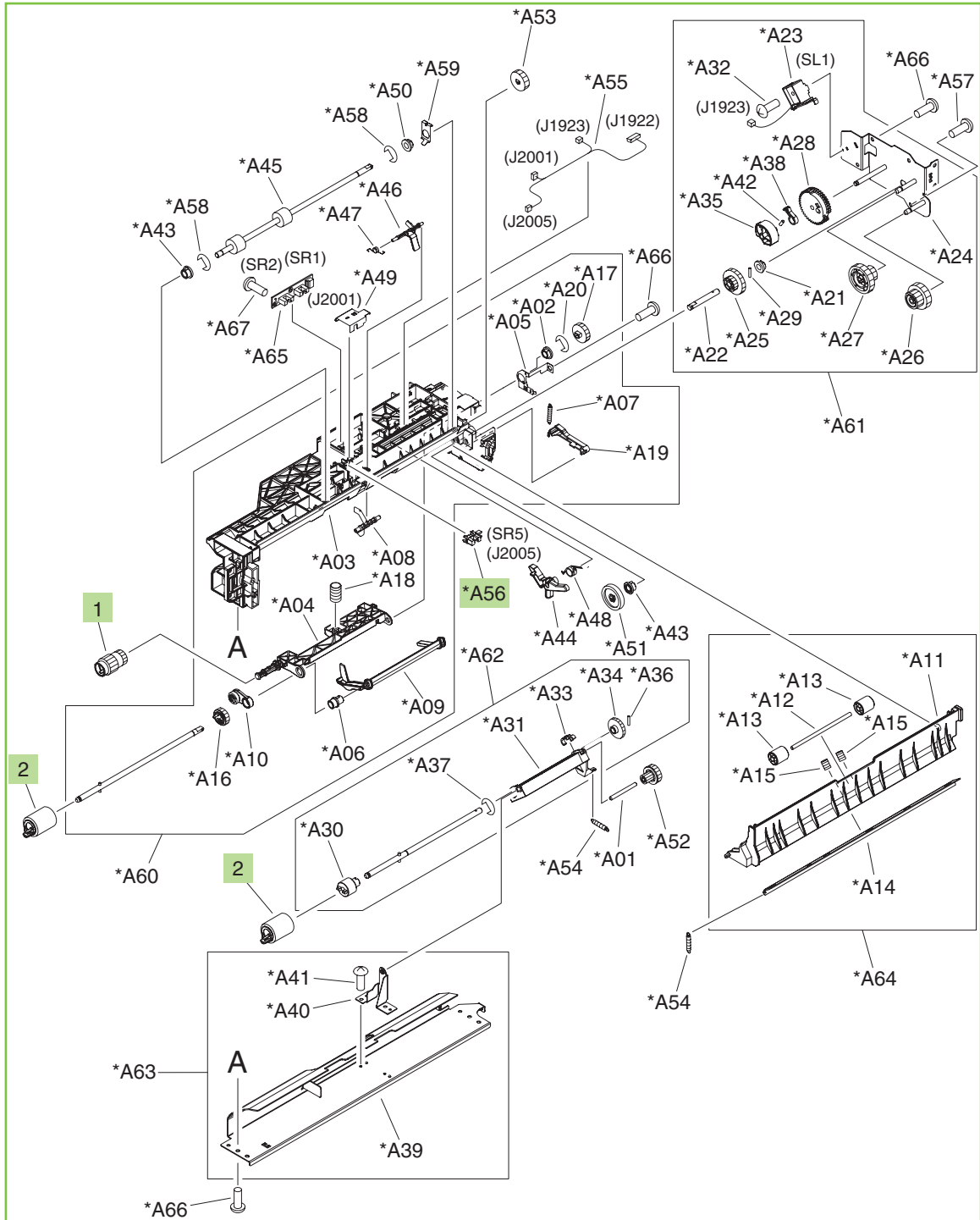


Table 9-14 Printer cassette paper-pickup assembly

Ref	Description	Part number	Qty
All	Cassette paper-pickup assembly	RM1-3206-000CN	1
1, 2	Tray 2 pickup, feed-roller kit	Q3931-67919	1
A56	Photo interrupter, TLP1243	WG8-5696-000CN	1


 **NOTE:** Only highlighted parts are orderable.

Figure 9-15 Printer multi-purpose paper-pickup assembly

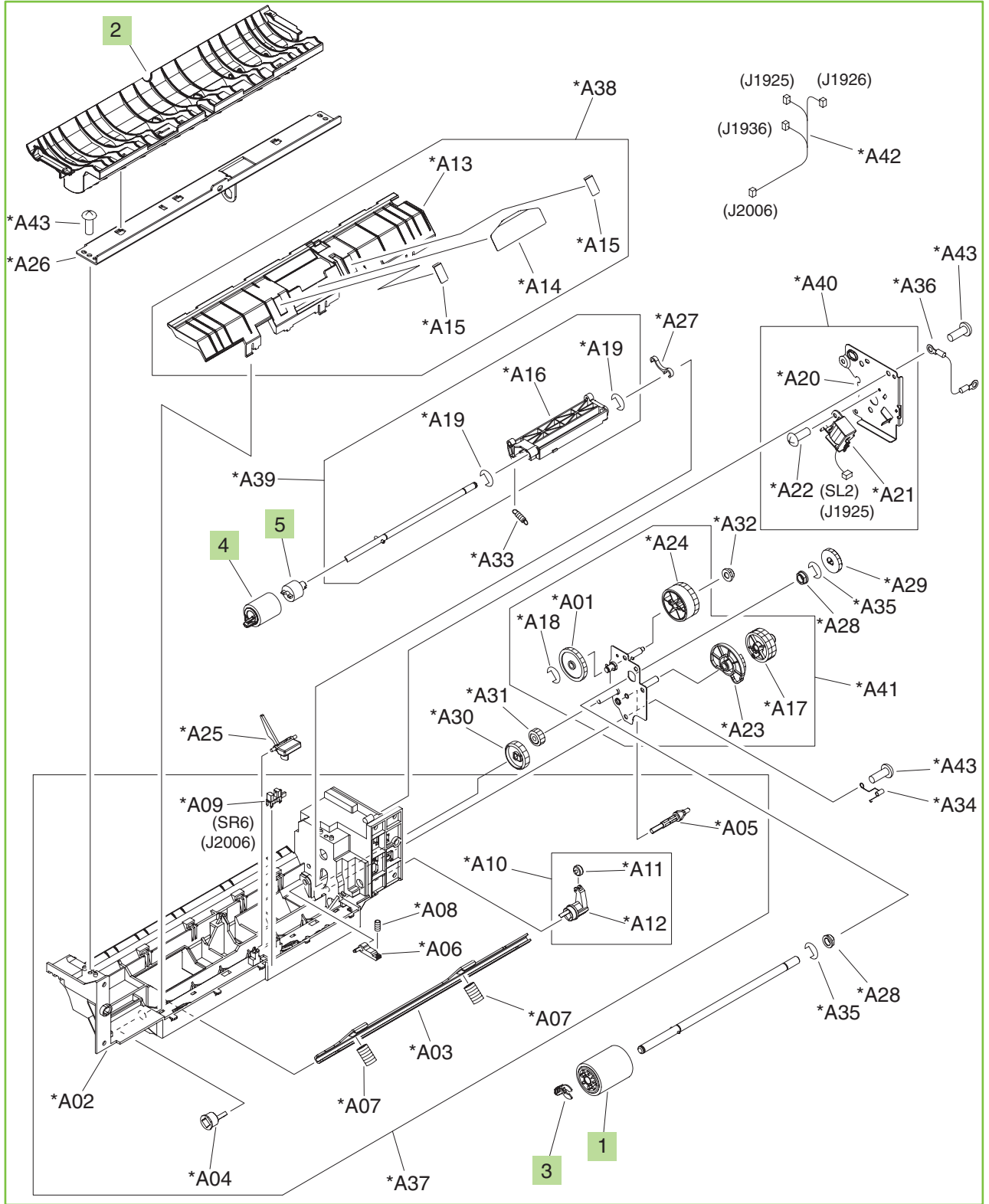


Table 9-15 Printer multi-purpose paper-pickup assembly

Ref	Description	Part number	Qty
All	Multi-purpose paper-pickup assembly	RM1-3345-000CN	1
1, 4	Tray 1 pickup, retard-roller kit	Q3931-67920	1
2	Guide, multi-purpose, upper	RC1-8526-000CN	1
3	Retainer	RC1-8511-000CN	1
5	Limiter, torque	RC1-8519-000CN	1


 **NOTE:** Only highlighted parts are orderable.

Figure 9-16 Printer multi-purpose-tray assembly

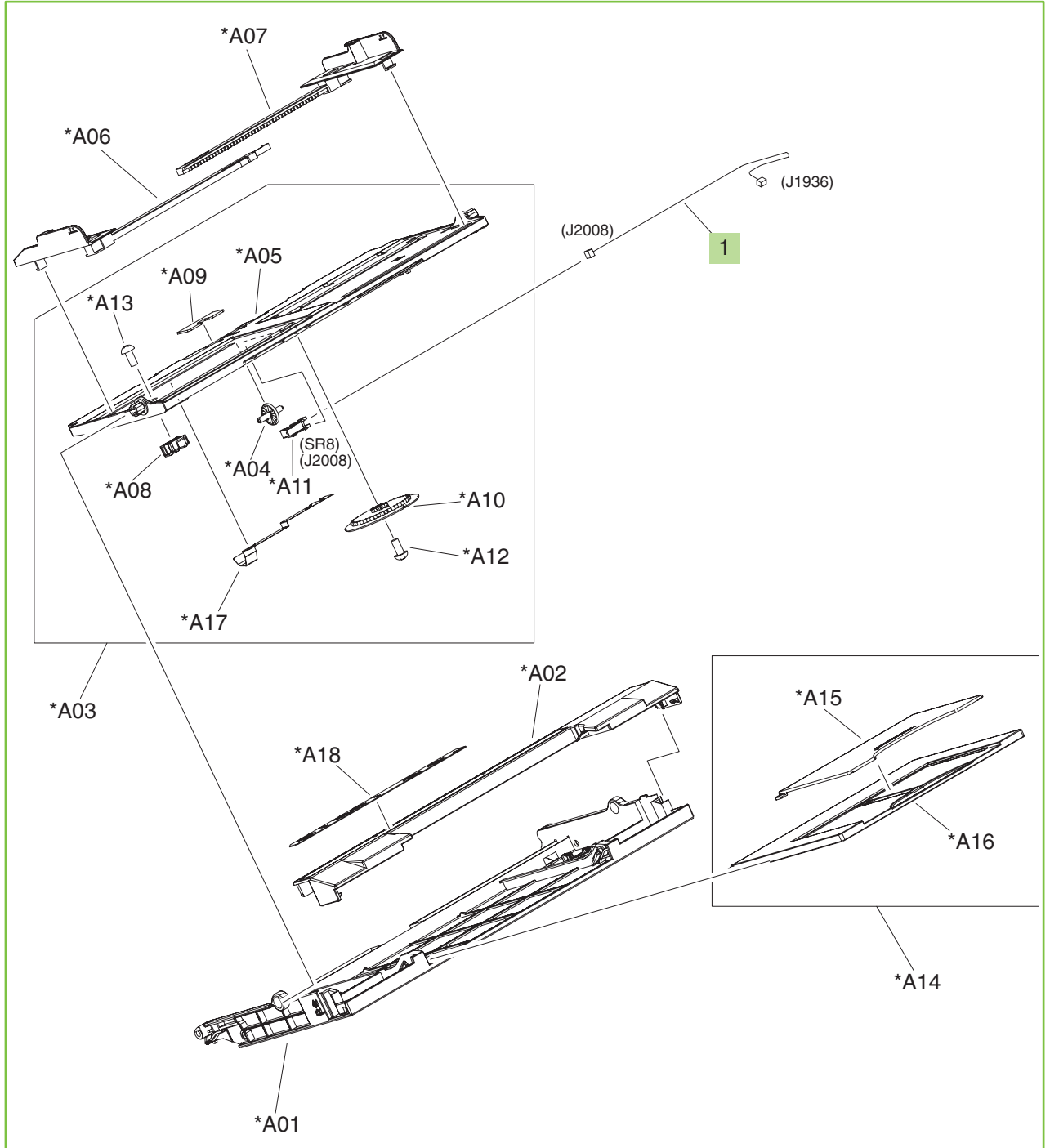


Table 9-16 Printer multi-purpose-tray assembly

Ref	Description	Part number	Qty
All	Multi-purpose-tray assembly	RM1-3341-000CN	1
1	Multi-tray cable	RM1-3630-000CN	1

 **NOTE:** Only highlighted parts are orderable.

Figure 9-17 Printer multi-purpose-guide assembly

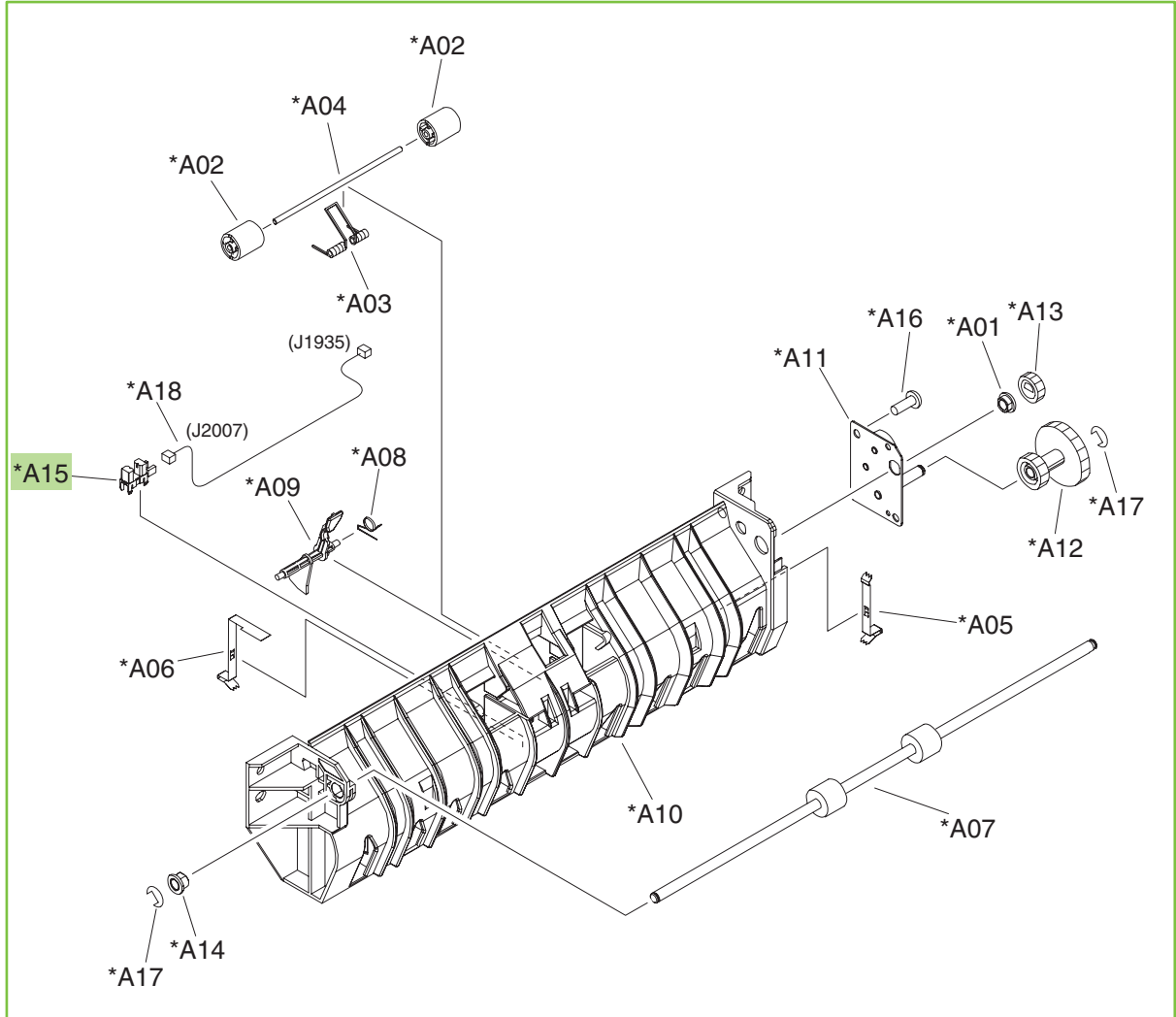


Table 9-17 Printer multi-purpose-guide assembly

Ref	Description	Part number	Qty
All	Multi-purpose-guide assembly	RM1-3291-000CN	1
A15	Photo interrupter, TLP1243	WG8-5696-000CN	1

 **NOTE:** Only highlighted parts are orderable.

Figure 9-18 Printer face-down paper-delivery assembly

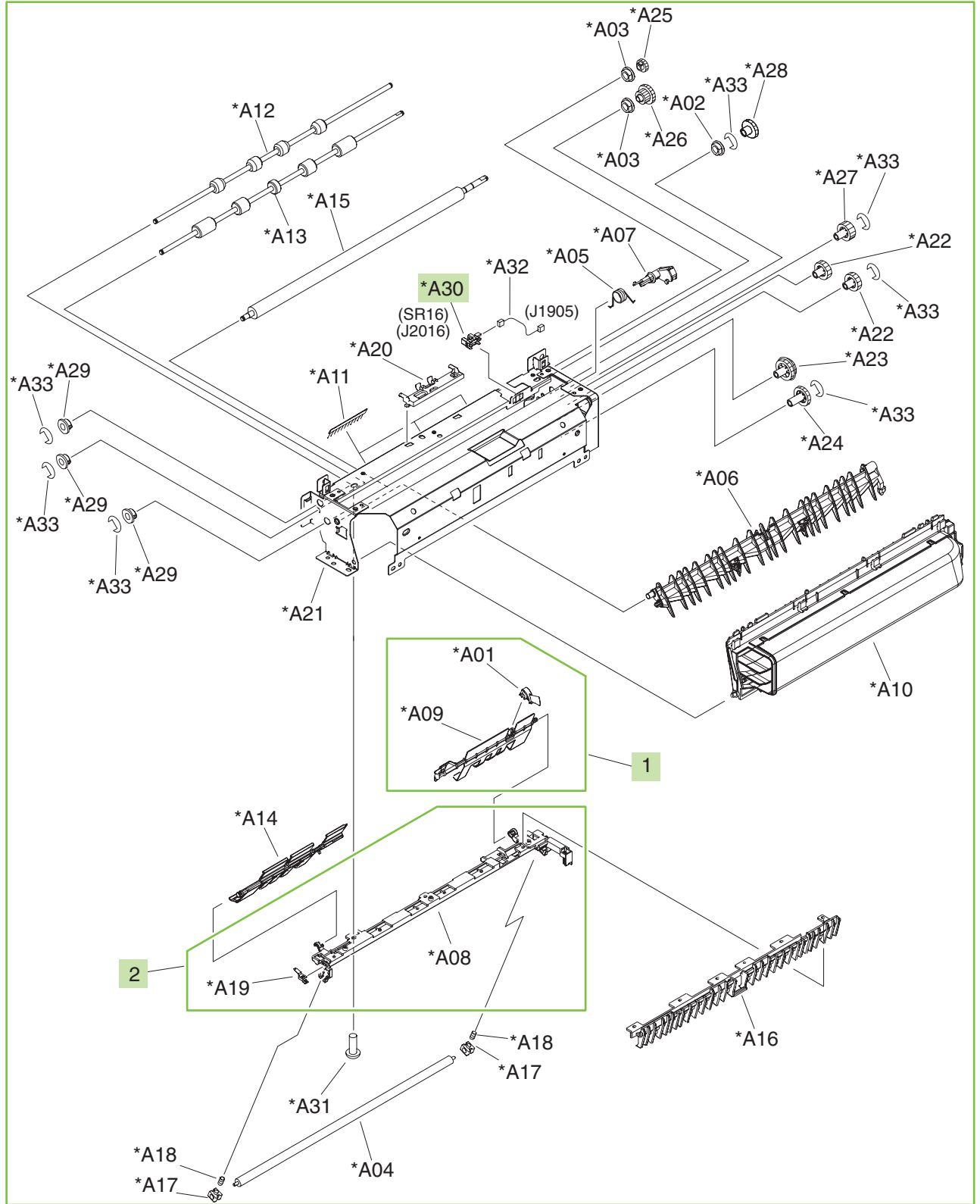


Table 9-18 Printer face-down paper-delivery assembly

Ref	Description	Part number	Qty
All	Face-down paper-delivery assembly	RM1-3293-000CN	1
1	Face-down full-flag assembly	RM1-4391-000CN	1
2	Paper-delivery-guide assembly	RM1-4407-000CN	1
A30	Photo interrupter, TLP1243	WG8-5696-000CN	1

 **NOTE:** Only highlighted parts are orderable.

Figure 9-19 Printer duplexing-reverse assembly

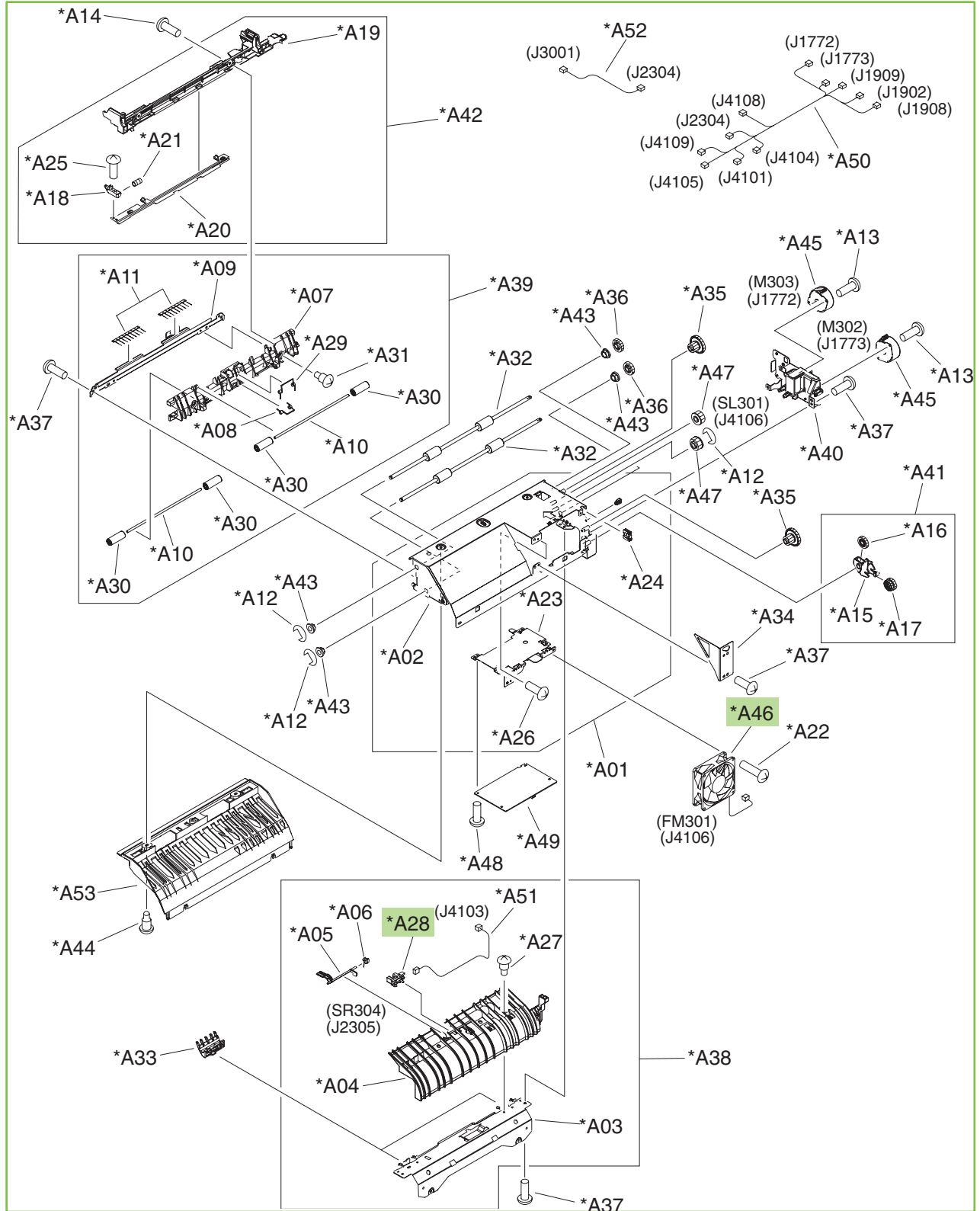


Table 9-19 Printer duplexing-reverse assembly

Ref	Description	Part number	Qty
All	Duplexing-reverse assembly	RM1-3652-000CN	1
A28	Photo interrupter, TLP1243	WG8-5696-000CN	1
A46	Fan	RK2-1378-000CN	1

 **NOTE:** Only highlighted parts are orderable.

Figure 9-20 Printer duplexing-feed assembly

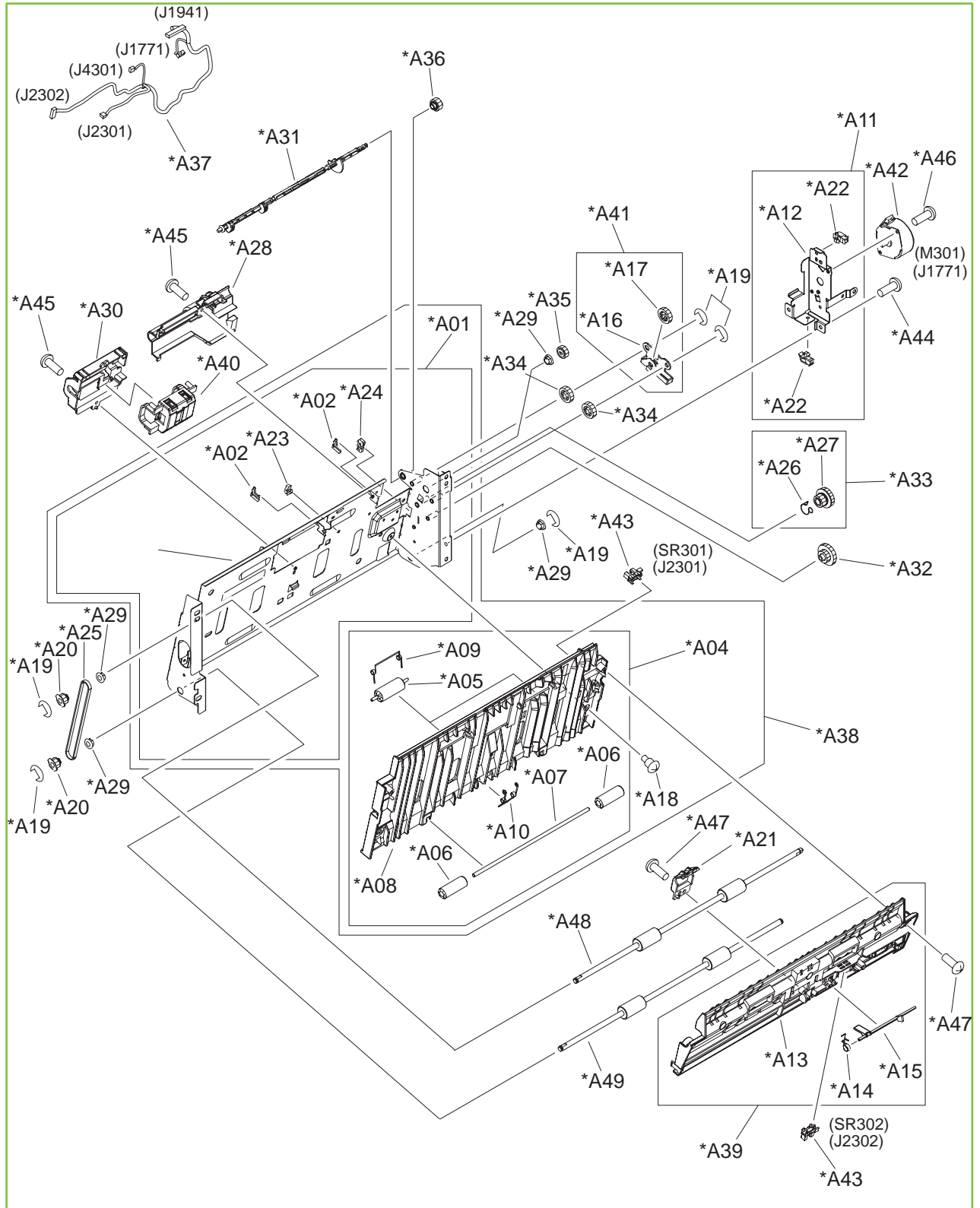


Table 9-20 Printer duplexing-feed assembly

Ref	Description	Part number	Qty
All	Duplexing-feed assembly	RM1-3665-000CN	1

 **NOTE:** Only highlighted parts are orderable.

Figure 9-21 Printer PCA assembly location

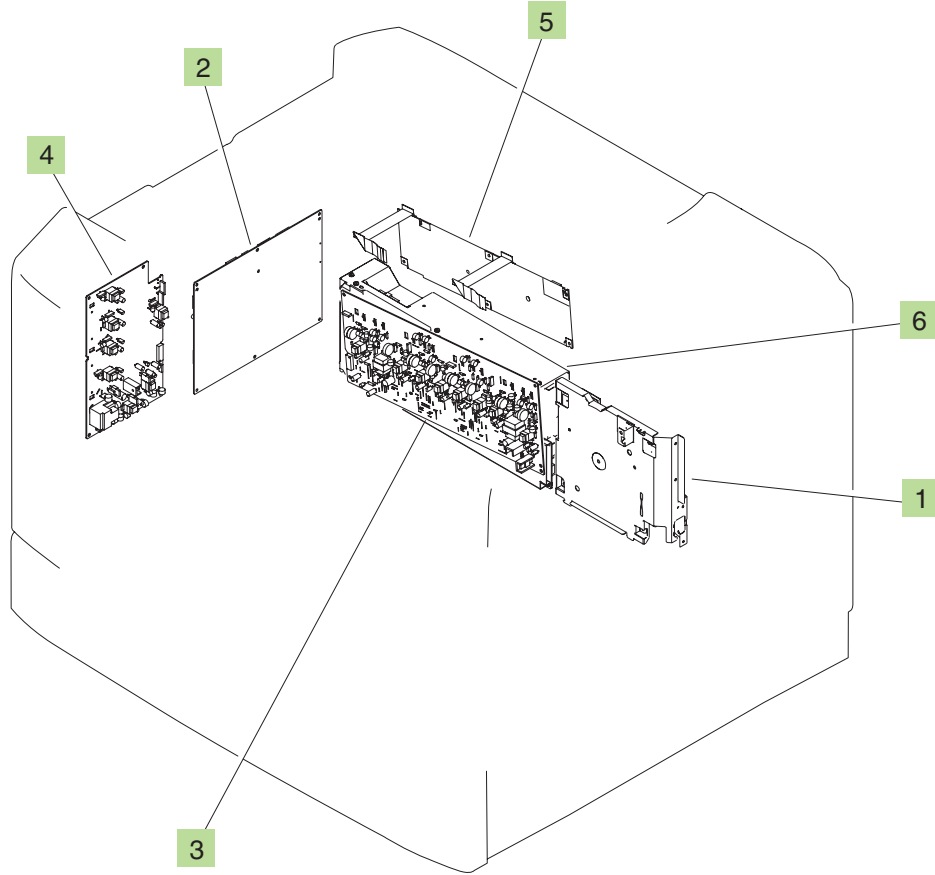


Table 9-21 Printer PCA assembly location

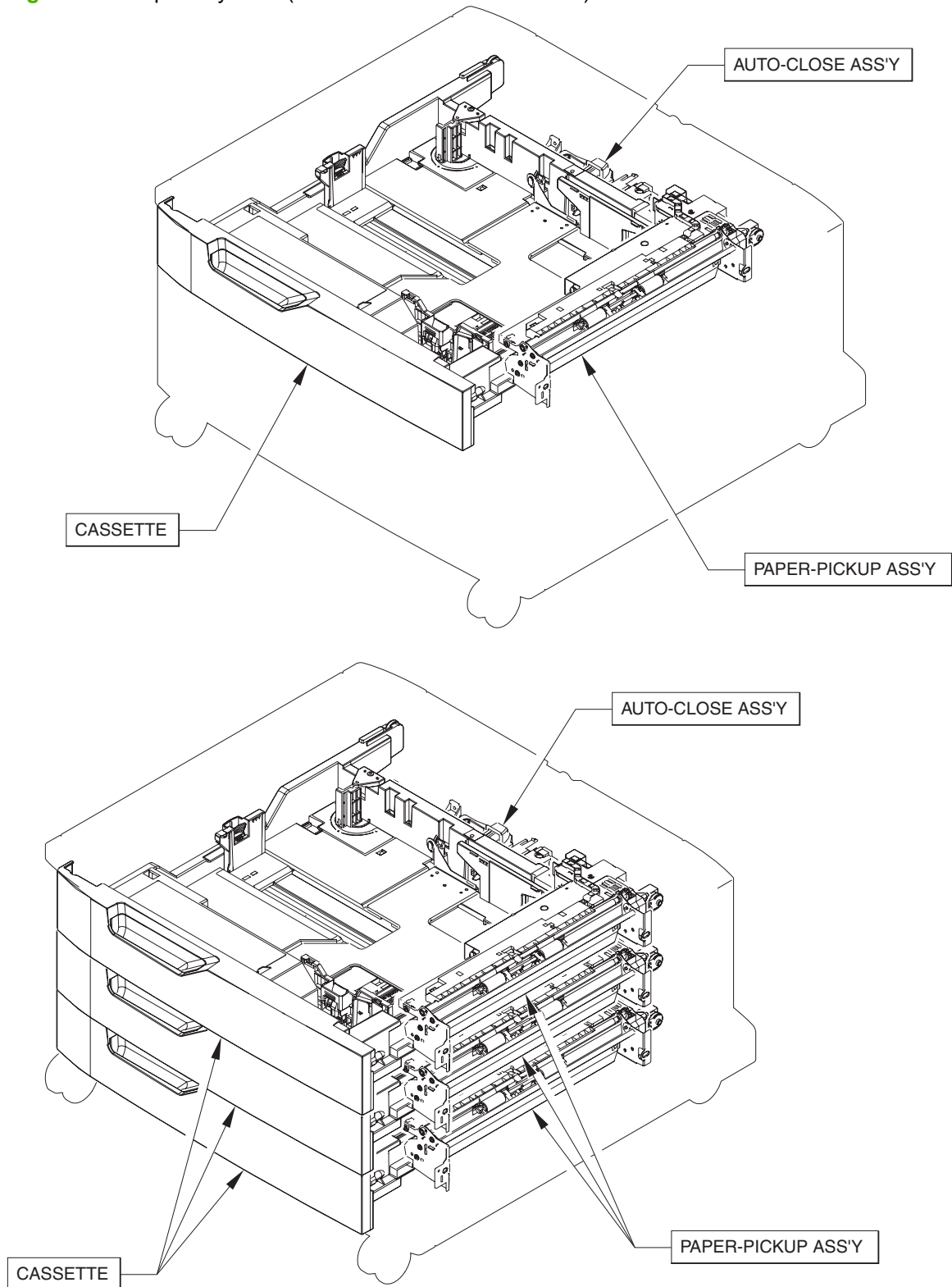
Ref	Description	Part number	Qty
1	Fixing power-supply assembly	RM1-3218-000CN	1
2	DC controller PCA assembly	RM1-6642-000CN	1
3	High-voltage-transfer A PCA assembly	RM1-3582-000CN	1
4	High-voltage-transfer B PCA assembly	RM1-5475-000CN	1
5	Memory-tag PCA assembly	RM1-3585-000CN	1
6	Low-voltage power-supply assembly	RM1-3594-000CN	1

 **NOTE:** Only highlighted parts are orderable.

Input-accessory devices

Input trays

Figure 9-22 Input-tray units (1x500-sheet and 3x500-sheet)



 **NOTE:** Only highlighted parts are orderable.

Figure 9-23 Input-tray main body (1x500-sheet)

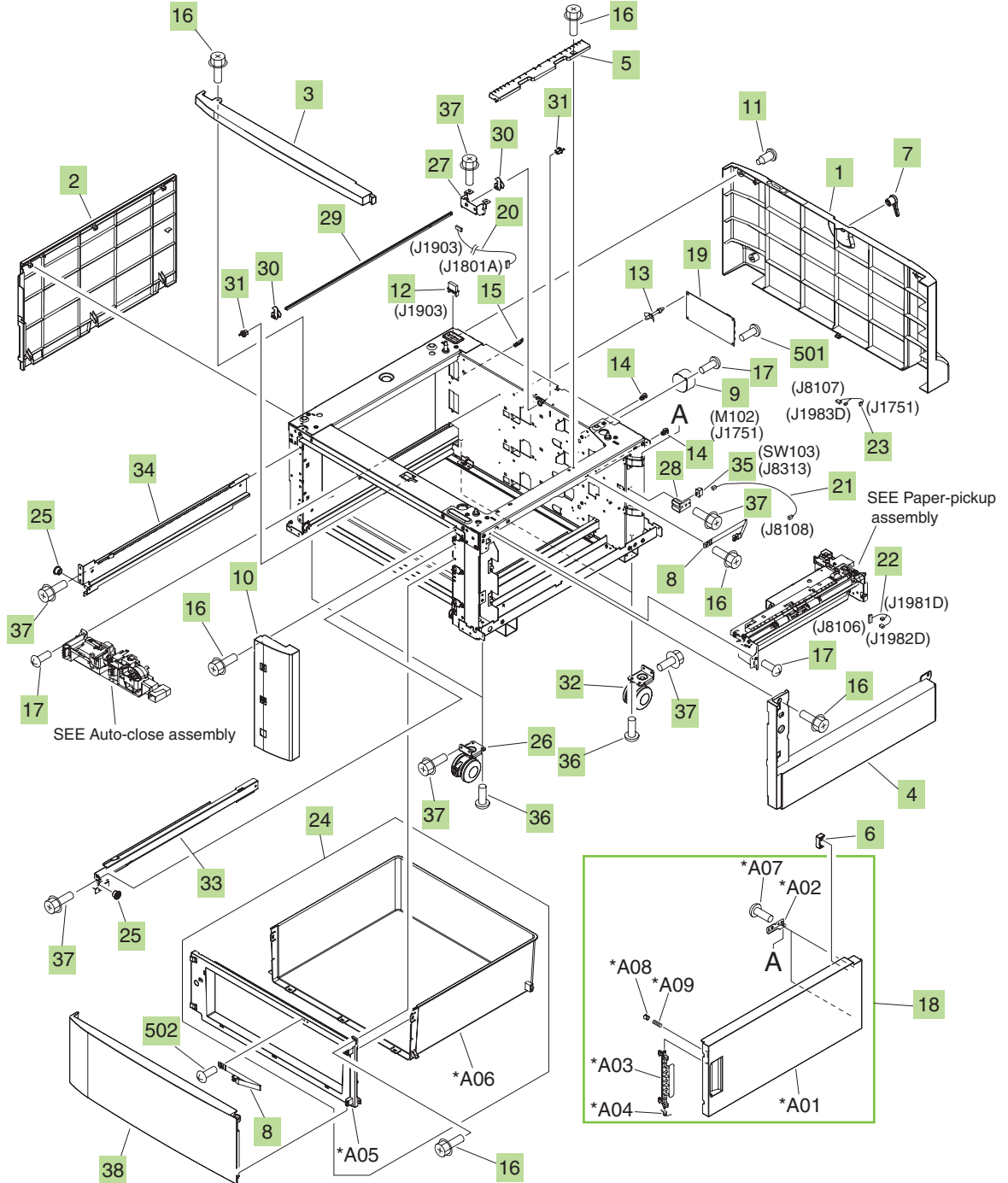


Table 9-22 Input-tray main body (1x500-sheet)

Ref	Description	Part number	Qty
1	Cover, rear	RC1-9871-000CN	1
2	Cover, left	RC1-9872-000CN	1
3	Cover, front-upper	RC1-9873-000CN	1
4	Cover, right-lower	RC1-9874-000CN	1
5	Guide, paper-feed roller	RC1-9881-000CN	1
6	Stopper, right-door	RC1-9882-000CN	1
7	Lever, lock	RC1-9883-000CN	1
8	Tape, door	RC1-9884-000CN	2
9	Motor, stepping, DC	RK2-1331-000CN	1
10	Cover, right-front	RL1-1322-000CN	1
11	Screw, stepped	RS5-9099-000CN	4
12	Connector, drawer	VS1-7257-012CN	1
13	Support, PCA	VT2-0001-008CN	2
14	Saddle, wire	WT2-5694-000CN	2
15	Clamp, cable	WT2-5738-000CN	1
16	Screw, RS, M4x8	XA9-1448-000CN	13
14	Screw, TP, M3x6	XA9-1469-000CN	7
15	Right-door assembly	RM1-3538-000CN	1
19	Paper-feed PCA assembly	RM1-3569-000CN	1
20	Cable, pickup-option drawer	RM1-3571-000CN	1
21	Cable, pickup-option door switch	RM1-3572-000CN	1
22	Cable, option-sensor PCA connect	RM1-3574-000CN	1
23	Cable, paper-pickup option	RM1-3575-000CN	1
24	Stock-box assembly	RM1-3539-000CN	1
25	Roller, rail	RC1-9231-000CN	4
26	Caster, double-lock, front	RC1-9896-000CN	2
27	Support, lock-shaft	RC1-9900-000CN	1
28	Plate, switch-cover	RC1-9901-000CN	1
29	Shaft, lock	RC1-9912-000CN	1
30	Arm, lock	RC1-9913-000CN	2
31	Bushing	RC1-9915-000CN	2
32	Caster, rear	RC1-9917-000CN	2
33	Rail, cassette, right	RL1-1310-000CN	2
34	Rail, cassette, left	RL1-1311-000CN	2

Table 9-22 Input-tray main body (1x500-sheet) (continued)

Ref	Description	Part number	Qty
35	Switch, button	WC2-5512-000CN	1
36	Screw, with washer, M5x12	XA9-0912-000CN	8
37	Screw, RS, M4x8	XA9-1448-000CN	75
38	Door, stock	RC1-9921-000CN	1
501	Screw, with washer, M3x6	XB2-8300-607CN	2
502	Screw, tapping, pan-head, M4x10	XB4-7401-006CN	1

 **NOTE:** Only highlighted parts are orderable.

Figure 9-24 Input-tray main body (3x500-sheet)

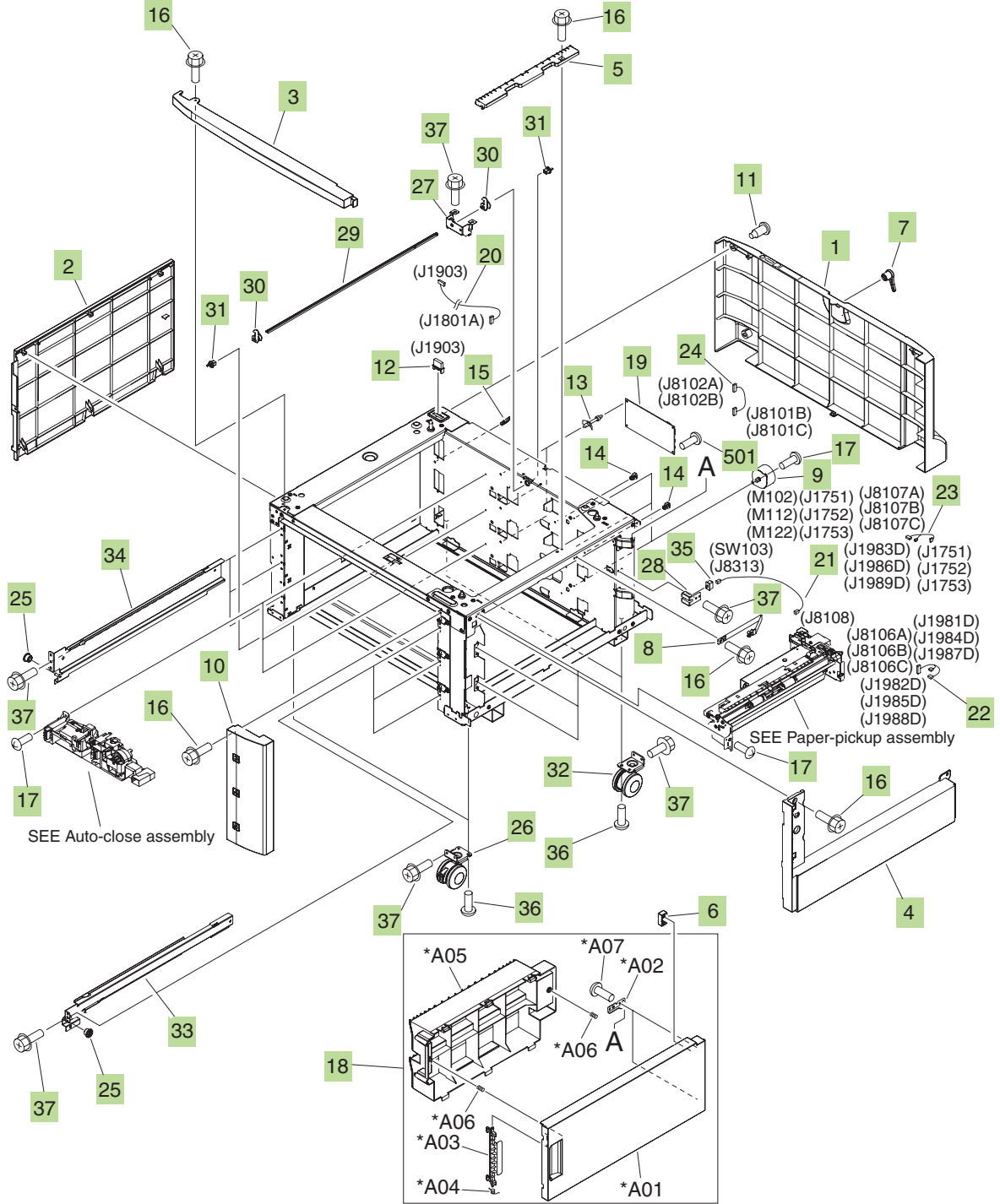


Table 9-23 Input-tray main body (3x500-sheet)

Ref	Description	Part number	Qty
1	Cover, rear	RC1-9871-000CN	1
2	Cover, left	RC1-9872-000CN	1
3	Cover, front-upper	RC1-9873-000CN	1
4	Cover, right-lower	RC1-9874-000CN	1
5	Guide, paper-feed roller	RC1-9881-000CN	1
6	Stopper, right-door	RC1-9882-000CN	1
7	Lever, lock	RC1-9883-000CN	1
8	Tape, door	RC1-9884-000CN	1
9	Motor, stepping, DC	RK2-1331-000CN	3
10	Cover, right-front	RL1-1321-000CN	1
11	Screw, stepped	RS5-9099-000CN	4
12	Connector, drawer	VS1-7257-012CN	1
13	Support, PCA	VT2-001-008CN	6
14	Saddle, wire	WT2-5694-000CN	2
15	Clamp, cable	WT2-5738-000CN	1
16	Screw, RS, M4x8	XA9-1448-000CN	10
17	Screw, TP, M3x6	XA9-1469-000CN	21
18	Right-door assembly	RM1-3537-000CN	1
19	Paper-feed PCA assembly	RM1-3569-000CN	3
20	Cable, paper-pickup-option drawer	RM1-3571-000CN	1
21	Cable, pickup-option door switch	RM1-3572-000CN	1
22	Cable, option-sensor PCA connect	RM1-3574-000CN	3
23	Cable, paper-pickup option	RM1-3575-000CN	3
24	Cable, pickup-option PCA connect	RM1-3573-000CN	2
25	Roller, rail	RC1-9231-000CN	6
26	Caster, double-lock, front	RC1-9896-000CN	2
27	Support, lock-shaft	RC1-9900-000CN	1
28	Plate, switch-cover	RC1-9901-000CN	1
29	Shaft, lock	RC1-9912-000CN	1
30	Arm, lock	RC1-9913-000CN	2
31	Bushing	RC1-9915-000CN	2
32	Caster, rear	RC1-9917-000CN	2
33	Rail, cassette, right	RL1-1310-000CN	3
34	Rail, cassette, left	RL1-1311-000CN	3

Table 9-23 Input-tray main body (3x500-sheet) (continued)

Ref	Description	Part number	Qty
35	Switch, button	WC2-5512-000CN	1
36	Screw, with washer, M5x12	XA9-0912-000CN	8
37	Screw, RS, M4x8	XA9-1448-000CN	77
501	Screw, with washer, M3x6	XB2-8300-607CN	6

 **NOTE:** Only highlighted parts are orderable.

Figure 9-25 Input-tray auto-close assembly

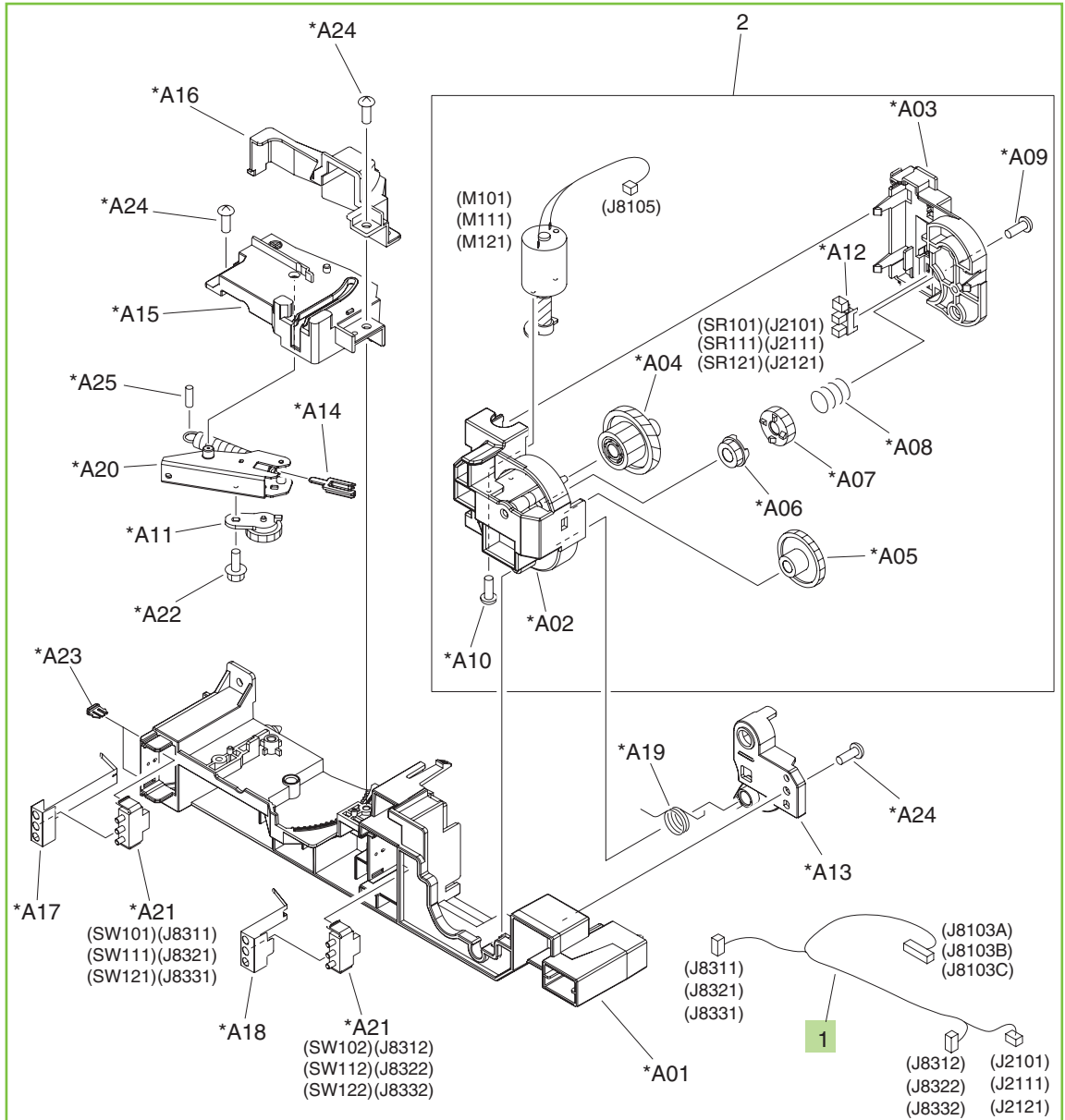


Table 9-24 Input-tray auto-close assembly

Ref	Description	Part number	Qty
All	Auto-close assembly, 1x500-sheet	RM1-3531-040CN	1
All	Auto-close assembly, 3x500-sheet	RM1-3531-040CN	3
1	Cable, pickup-option lifter unit	RM1-3576-000CN	1

 **NOTE:** Only highlighted parts are orderable.

Figure 9-26 Input-tray cassette

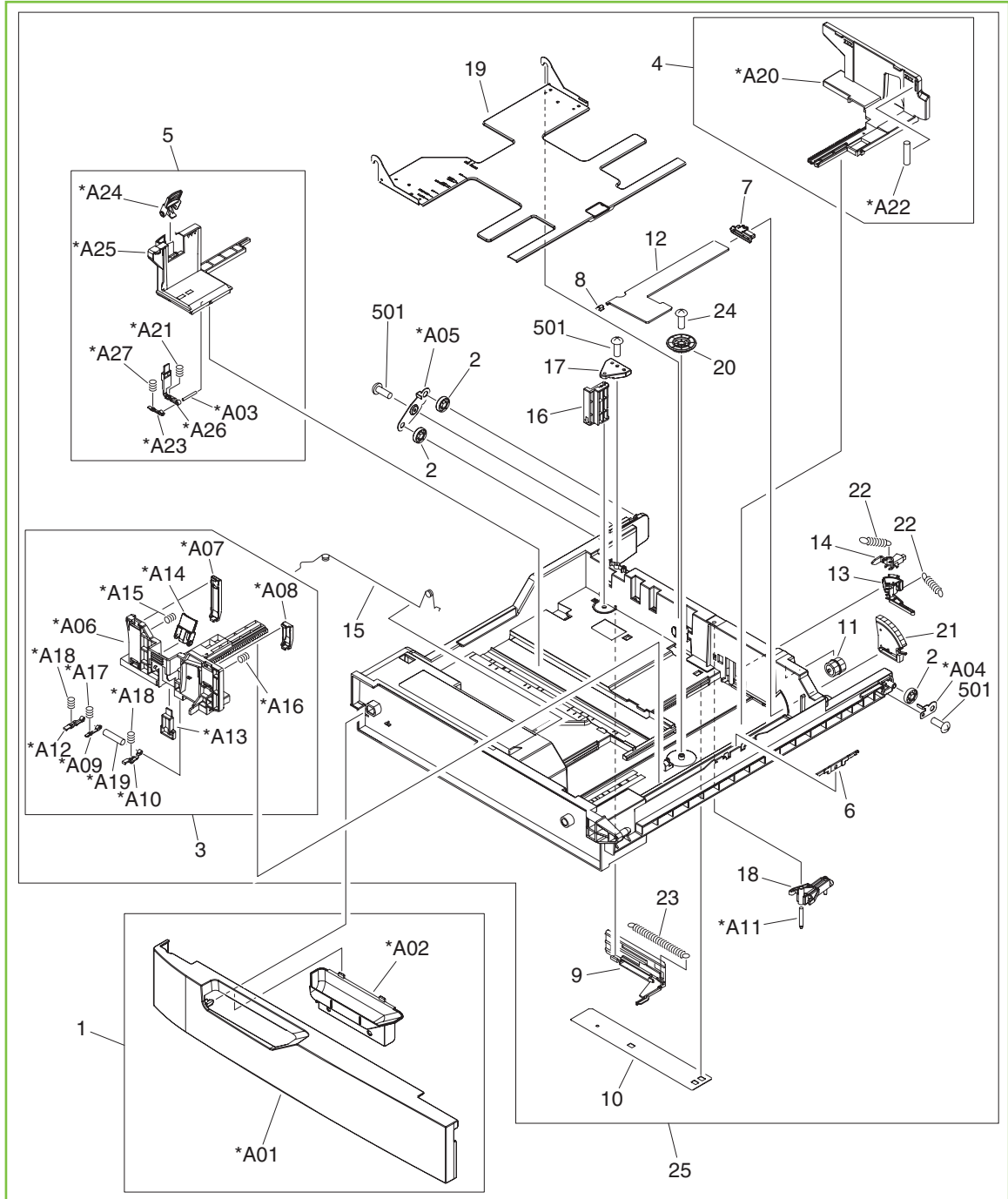


Table 9-25 Input-tray cassette

Ref	Description	Part number	Qty
All	Cassette (1x500-sheet)	RM1-3529-000CN	1
All	Cassette (3x500-sheet)	RM1-3529-000CN	3

 **NOTE:** Only highlighted parts are orderable.

Figure 9-27 Input-tray paper-pickup assembly

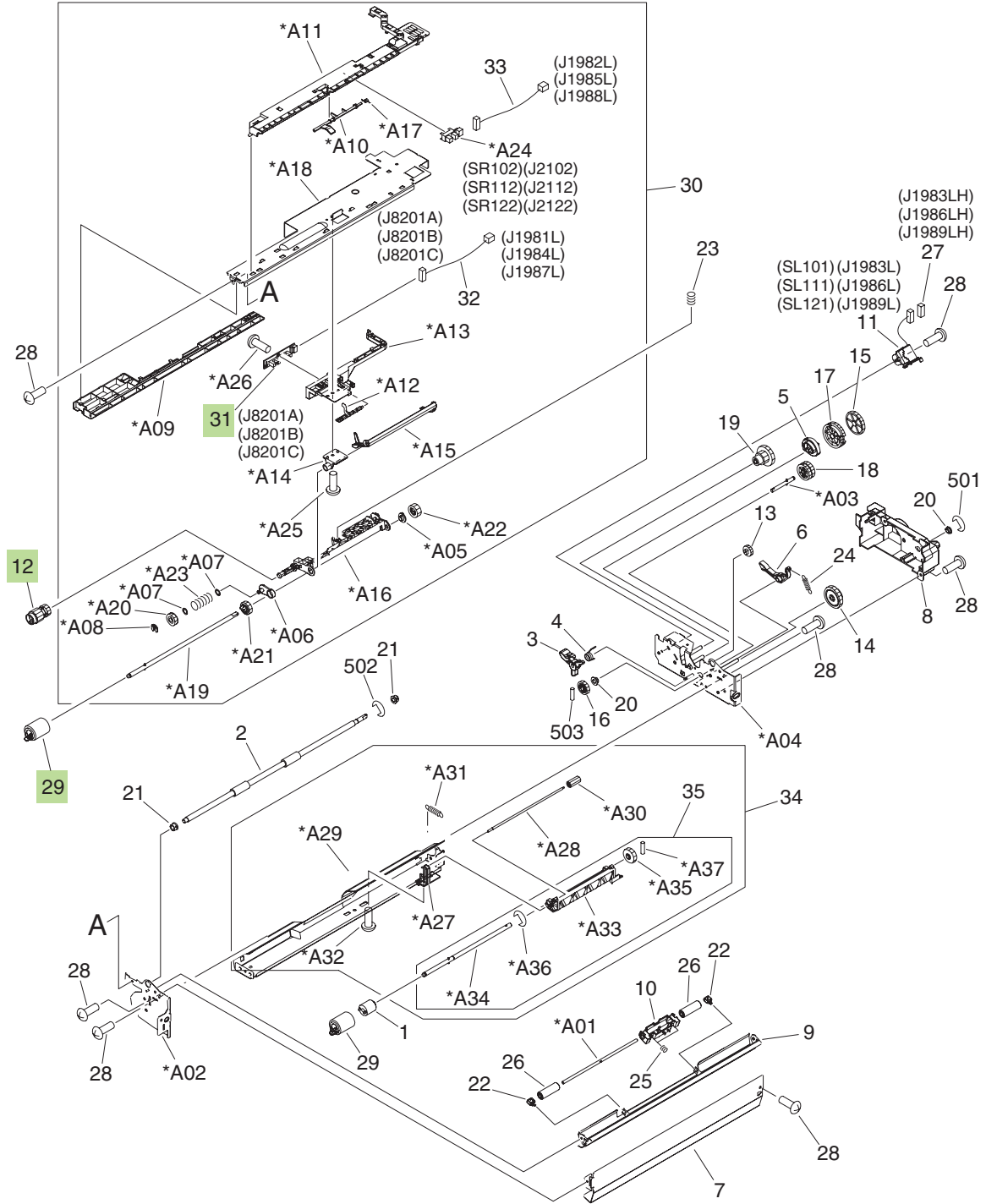
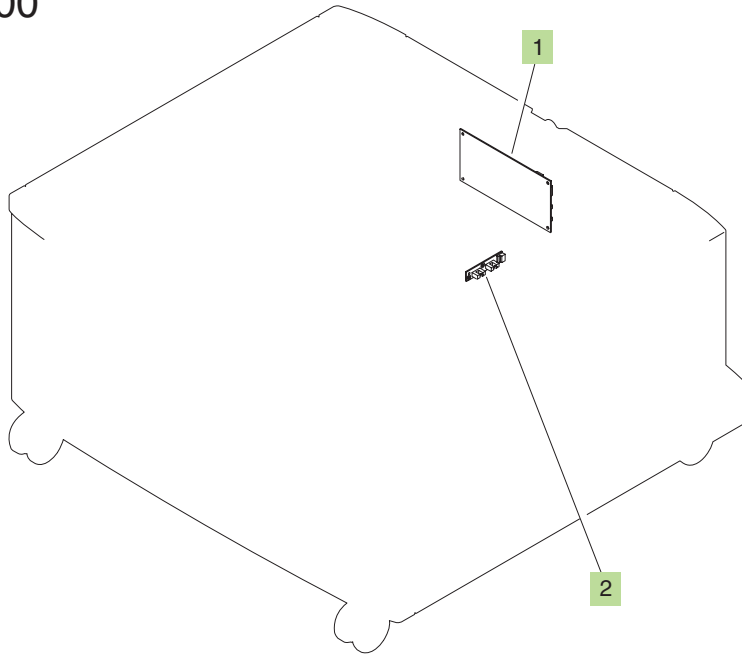


Table 9-26 Input-tray paper-pickup assembly

Ref	Description	Part number	Qty
12	Roller, paper-pickup	RL1-1289-000CN	1
29	Paper feed-roller assembly	RM1-0037-020CN	2
31	Option paper-sensor PCA assembly	RM1-3570-000CN	1

 **NOTE:** Only highlighted parts are orderable.

Figure 9-28 Input-tray PCA assembly
1x500



3x500

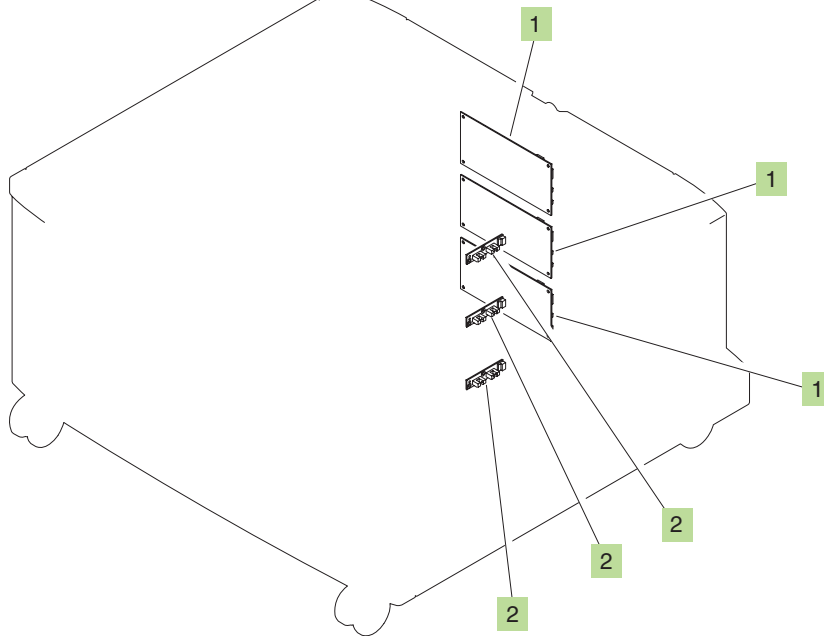


Table 9-27 Input-tray PCA assembly

Ref	Description	Part number	Qty
1	Paper-feed PCA assembly (1x500-sheet)	RM1-3569-000CN	1
1	Paper-feed PCA assembly (3x500-sheet)	RM1-3569-000CN	3

 **NOTE:** Only highlighted parts are orderable.

Output-accessory devices

Intermediate paper-transfer unit (IPTU)

Figure 9-29 Intermediate-feed main body

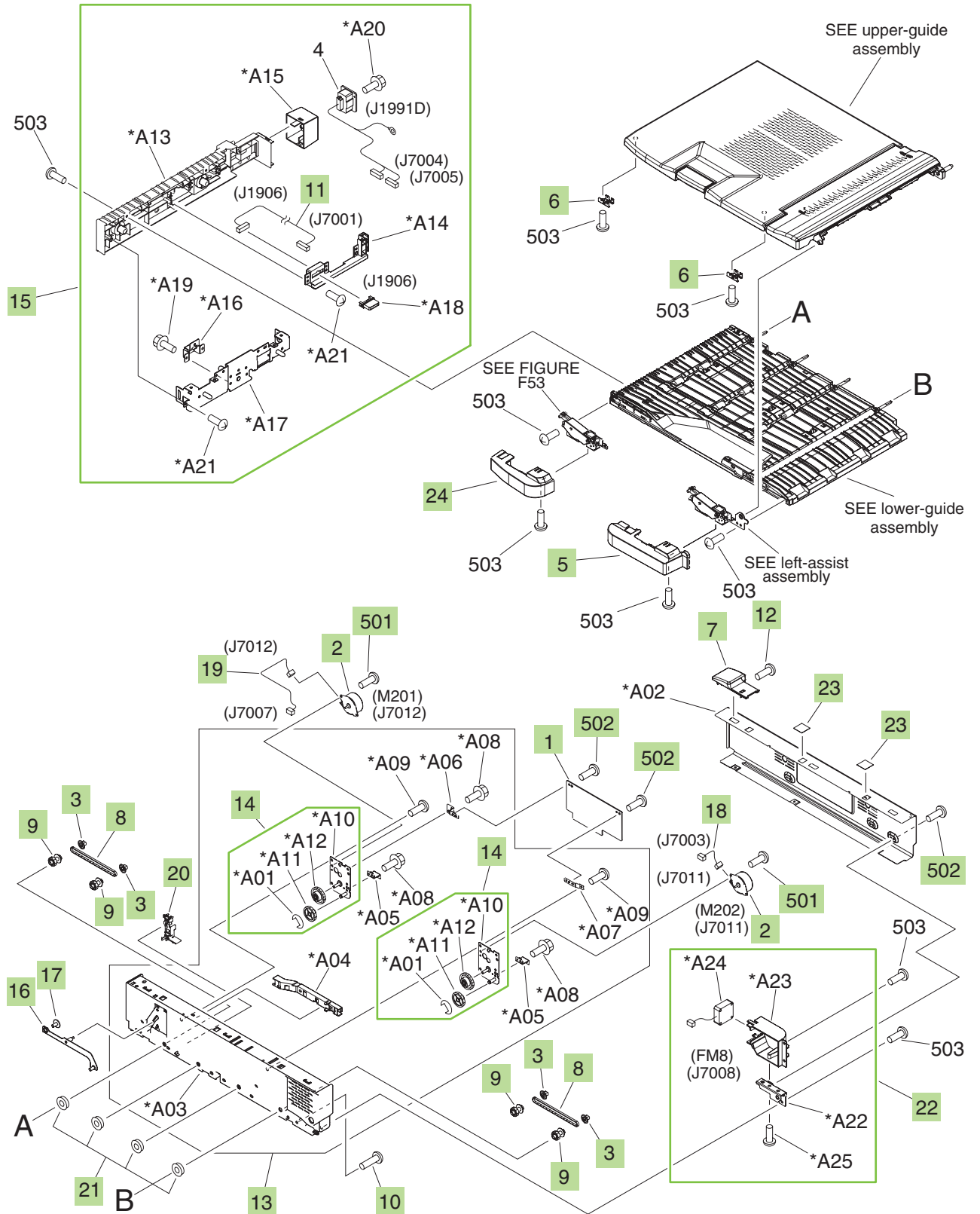


Table 9-28 Intermediate-feed main body

Ref	Description	Part number	Qty
1	Intermediate paper-transfer unit (IPTU)-driver PCA assembly	RM1-3559-000CN	1
2	Motor, stepping, DC	RK2-1320-000CN	2
3	Flange, pulley	RC1-9620-000CN	4
4	Cable, drawer	RM1-3561-000CN	1
5	Cover, assist, right	RC1-9706-000CN	1
6	Plate, assist-arm cap	RC1-9695-000CN	1
7	Cover, rear-upper	RC1-9703-000CN	1
8	Belt, paper-feed, cogged	RC1-9674-000CN	2
9	Pulley/gear, 22T	RU5-0868-000CN	4
10	Screw, M4x14	XA9-1292-000CN	5
11	Cable, drawer	RM1-3560-000CN	1
12	Screw, RS M3x8	XA9-1500-000CN	8
13	Side-cover assembly	RM1-3683-000CN	1
14	Drive-belt assembly	RM1-3684-000CN	2
15	Fin-lock assembly	RM1-3685-000CN	1
16	Arm, auxiliary	RL1-1272-000CN	1
17	Screw, B, M4x8	XA9-1277-000CN	8
18	Cable, motor	RM1-3563-000CN	1
19	Cable, motor	RM1-3564-000CN	1
20	Guide, cable, 2	RC1-9688-000CN	1
21	Bushing	RC1-4585-000CN	4
22	Fan assembly	RM1-4394-000CN	1
23	Sheet, blanking	RC1-9687-000CN	2
24	Cover, assist, left	RC1-9705-000CN	1
501	Screw, machined, truss-head, M3x4	XB1-2300-407CN	4
502	Screw, with washer, M3x6	XB2-8300-607CN	5

 **NOTE:** Only highlighted parts are orderable.

Figure 9-30 Intermediate-feed lower-guide assembly

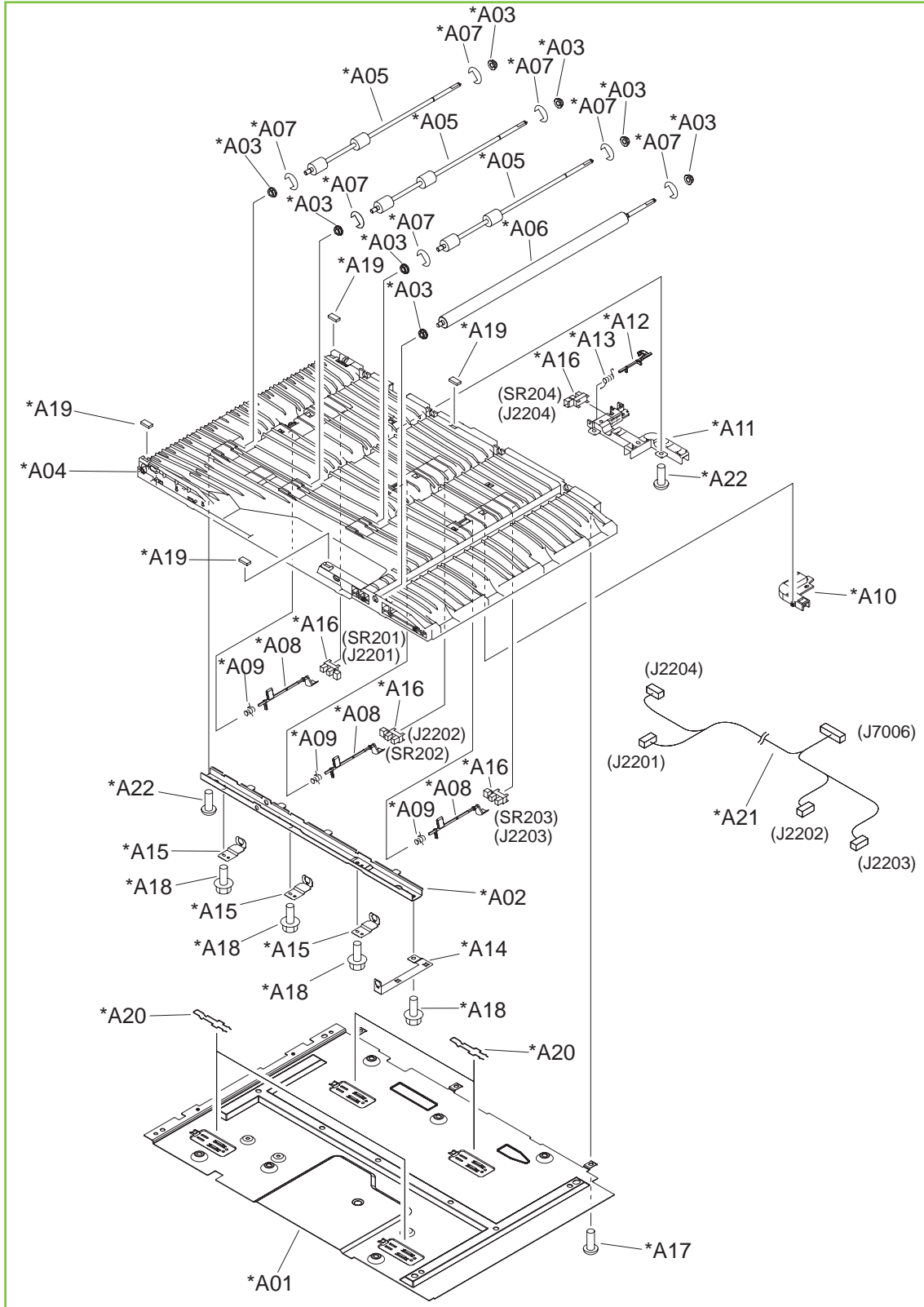


Table 9-29 Intermediate-feed lower-guide assembly

Ref	Description	Part number	Qty
All	Lower-guide assembly	RM1-3686-000CN	1

 **NOTE:** Only highlighted parts are orderable.

Figure 9-31 Intermediate-feed upper-guide assembly

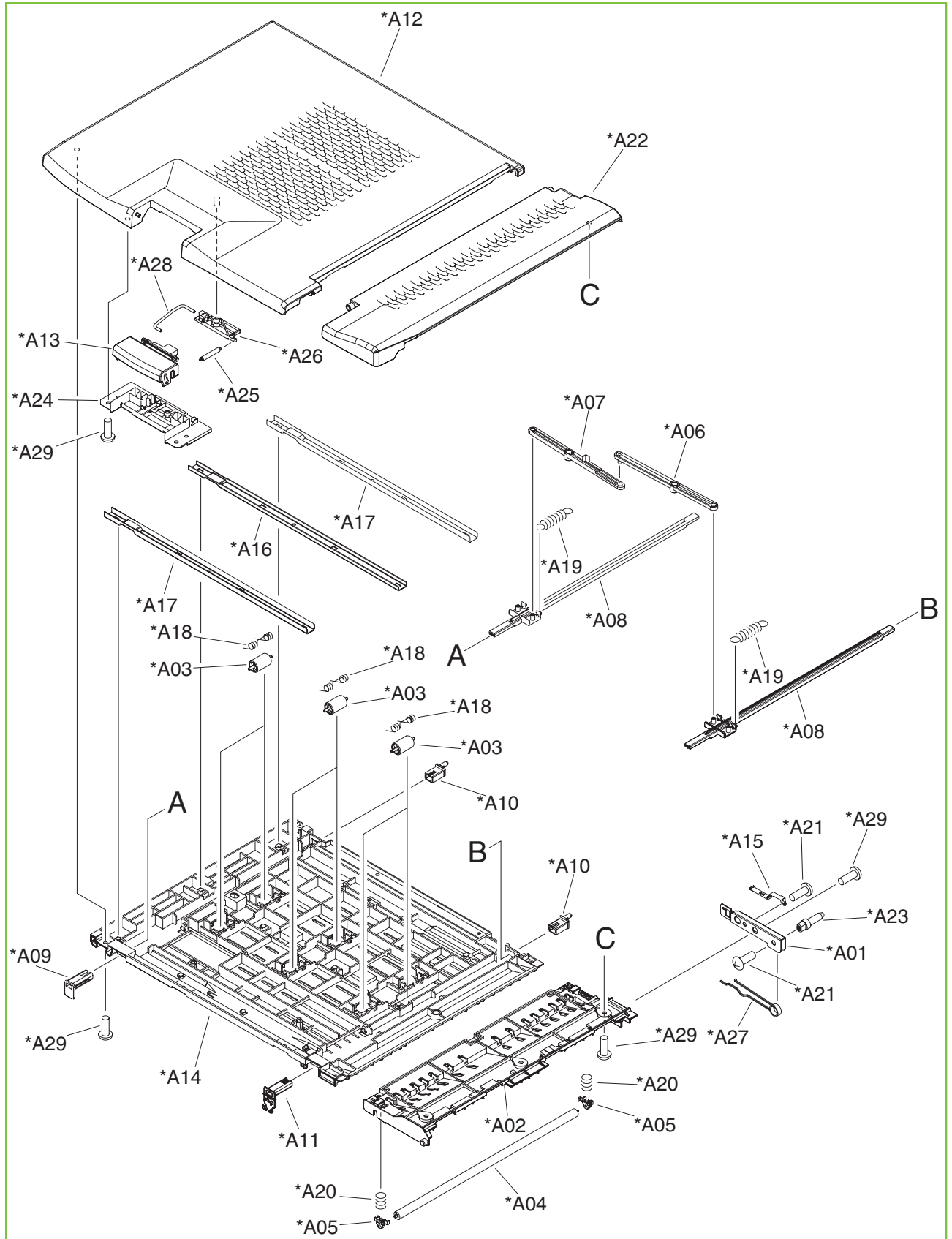


Table 9-30 Intermediate-feed upper-guide assembly

Ref	Description	Part number	Qty
All	Upper-guide assembly	RM1-4395-000CN	1

 **NOTE:** Only highlighted parts are orderable.

Figure 9-32 Left-assist assembly

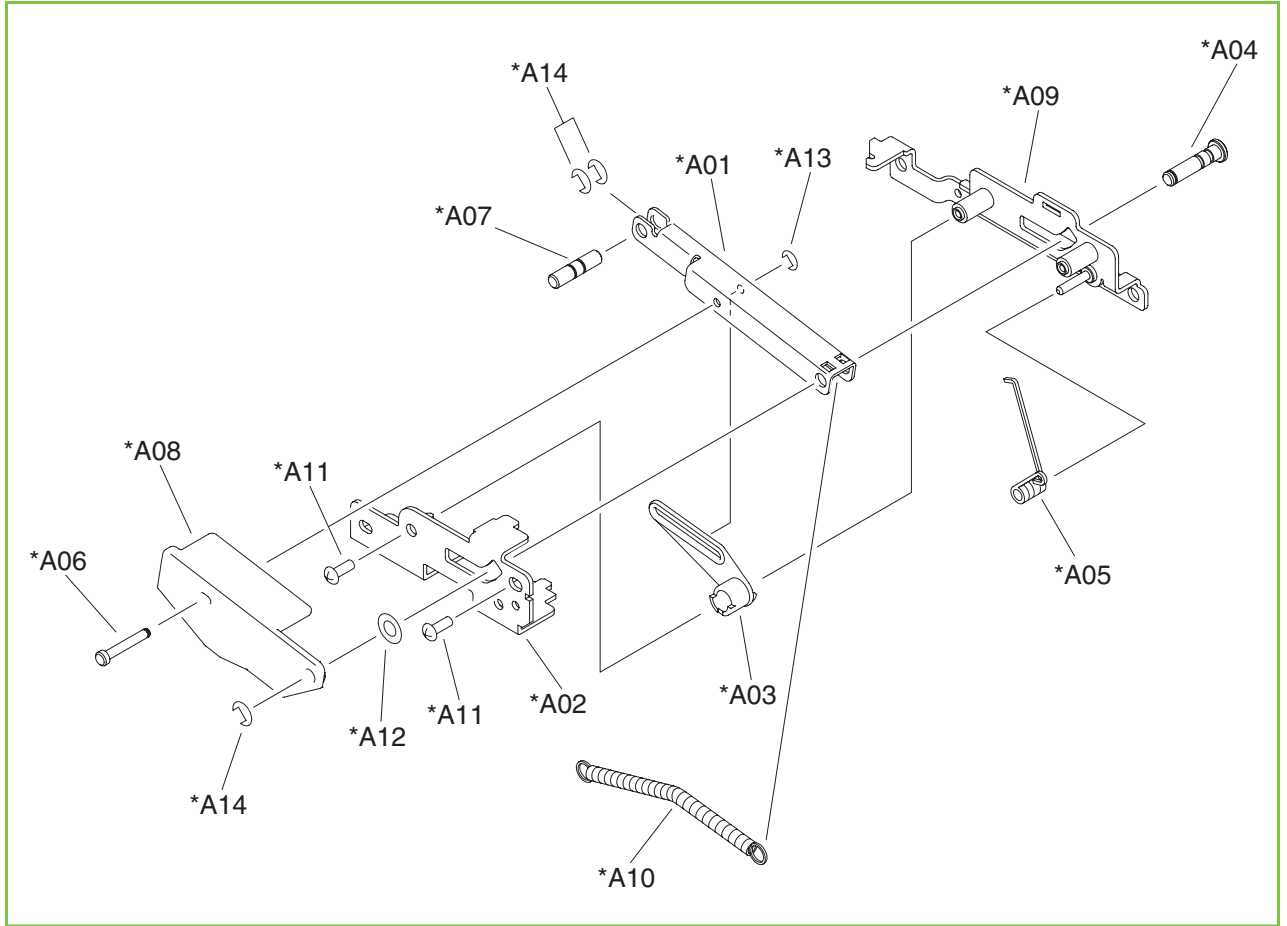


Table 9-31 Left-assist assembly

Ref	Description	Part number	Qty
All	Left-assist assembly	RM1-4396-000CN	1

 **NOTE:** Only highlighted parts are orderable.

Figure 9-33 Right-assist assembly

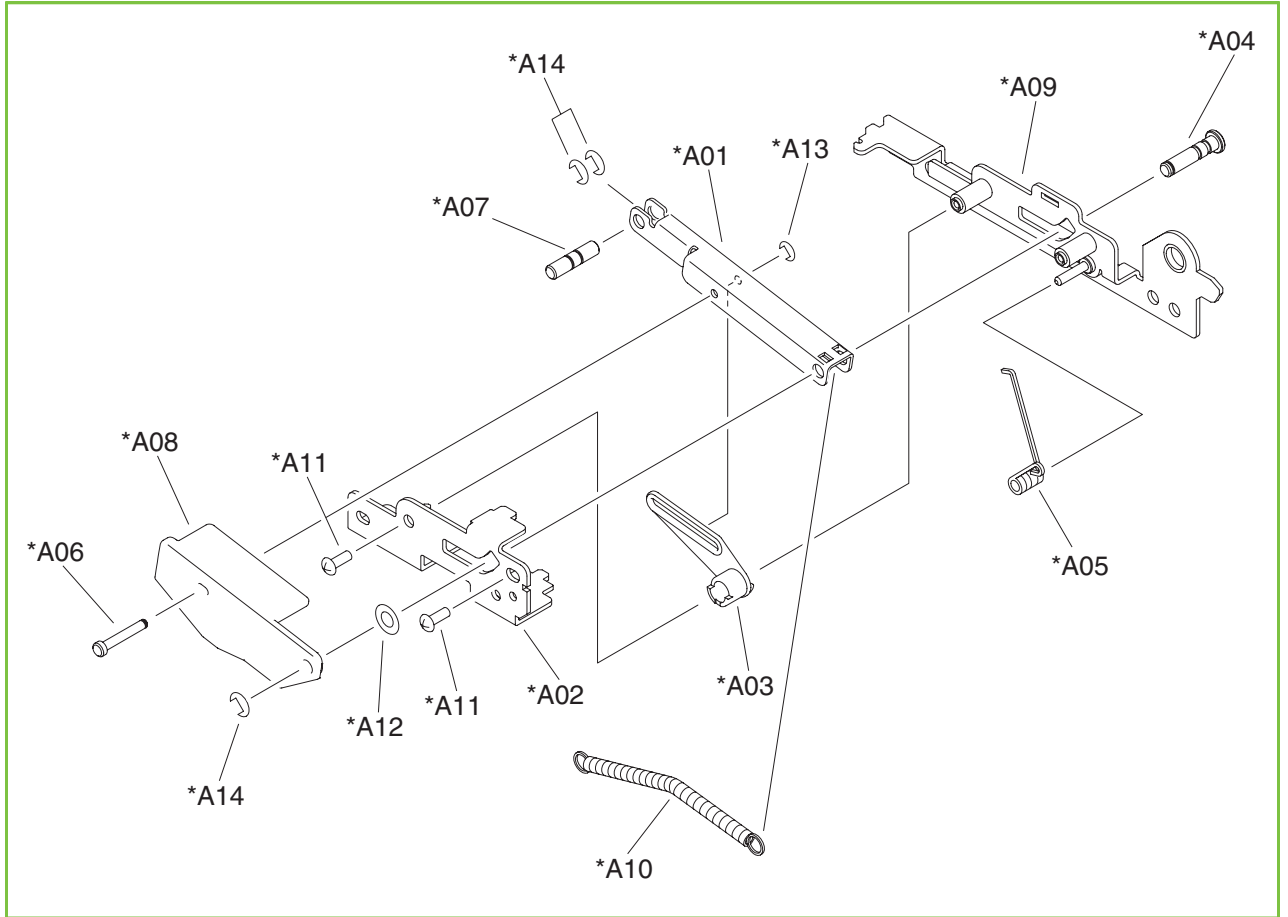


Table 9-32 Right-assist assembly

Ref	Description	Part number	Qty
All	Right-assist assembly	RM1-4397-000CN	1

 **NOTE:** Only highlighted parts are orderable.

Figure 9-34 PCA assembly

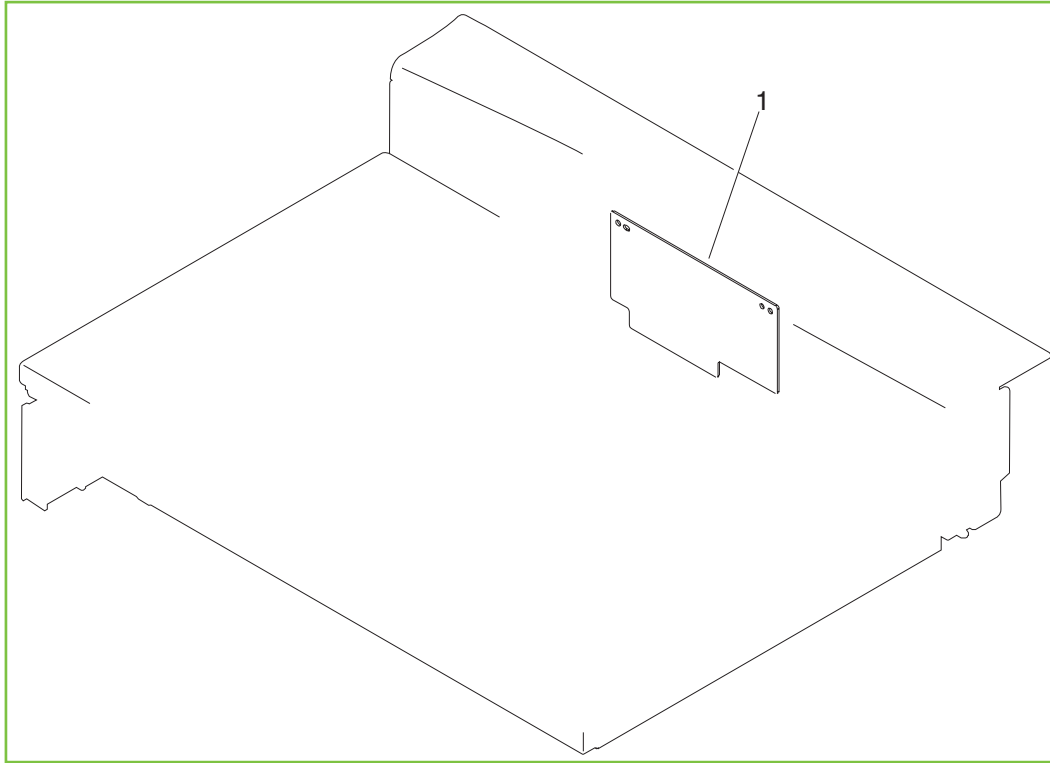


Table 9-33 PCA assembly

Ref	Description	Part number	Qty
All	Intermediate paper-transfer unit (IPTU)-driver PCA assembly	RM1-3559-000CN	1

 **NOTE:** Only highlighted parts are orderable.

Stapler/stacker and booklet-maker

Figure 9-35 Stapler/stacker unit

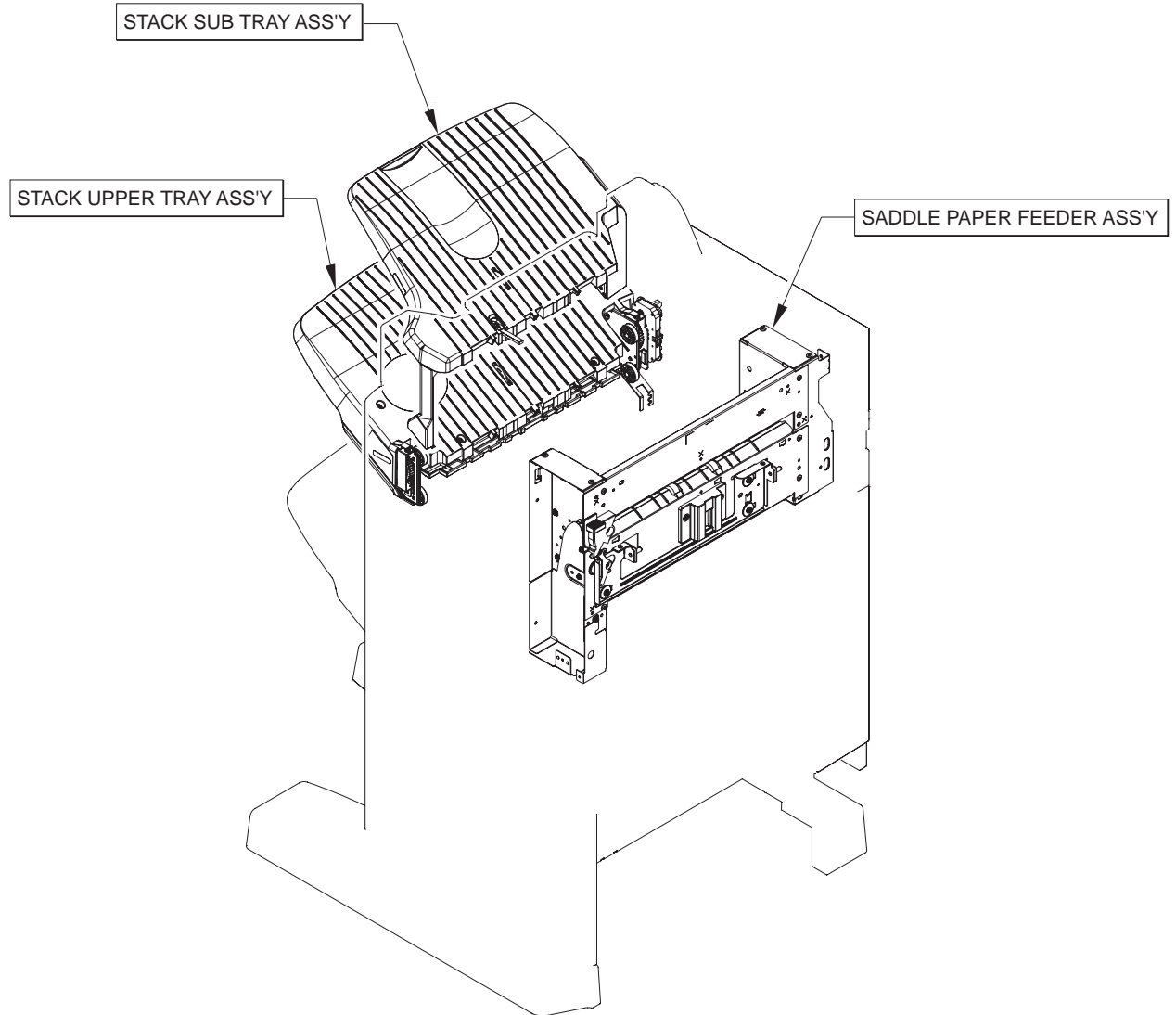


Table 9-34 Stapler/stacker unit

Ref	Description	Part number	Qty
All	Stapler/stacker whole unit	CC517A (product number)	1

 **NOTE:** Only highlighted parts are orderable.

Figure 9-36 Booklet-maker unit

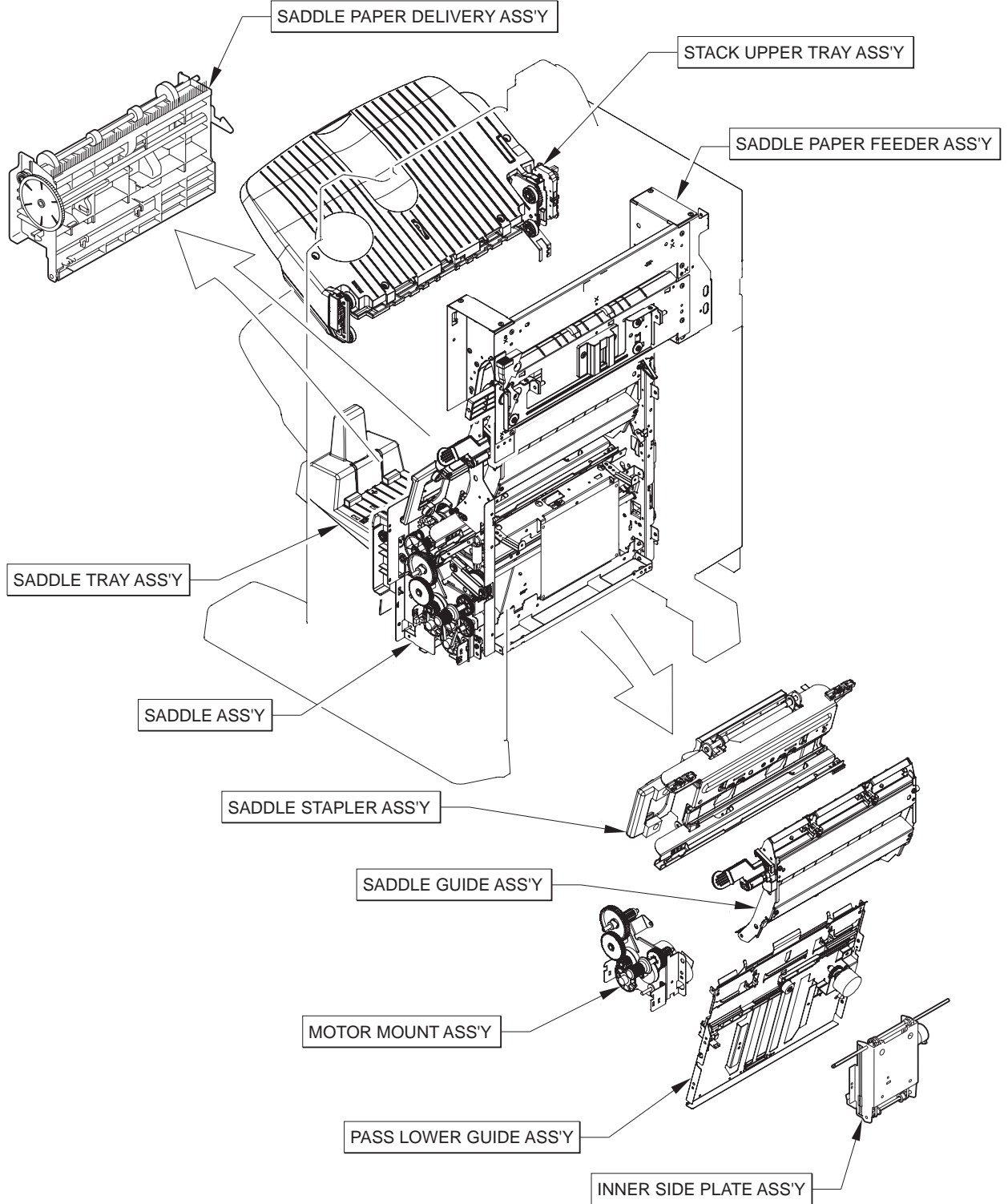


Table 9-35 Booklet-maker unit

Ref	Description	Part number	Qty
All	Booklet-maker (multi-function finisher) whole unit	CC516A (product number)	1

 **NOTE:** Only highlighted parts are orderable.

Figure 9-37 External panels and covers (stapler/stacker)

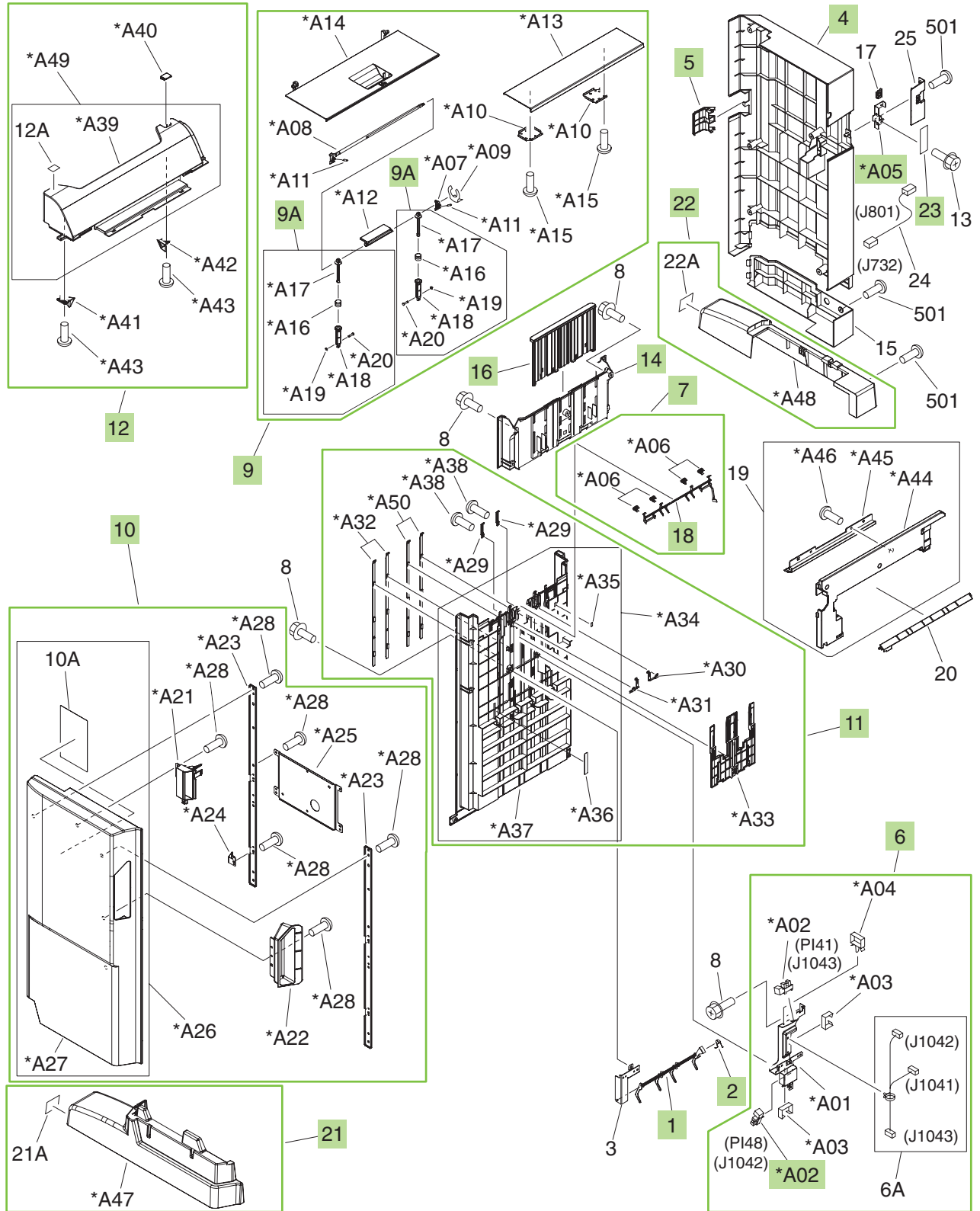


Table 9-36 External panels and covers (stapler/stacker)

Ref	Description	Part number	Qty
1	Flag, paper-sensing sensor	FC5-5004-000CN	1
2	Spring, torsion	FC5-5005-000CN	1
4	Cover, rear	RC2-1278-000CN	1
5	Cover, tray-connector	RC2-1279-000CN	1
6	Paper-face sensor assembly	4G3-0934-000CN	1
7	Paper-face sensing assembly	4G3-1624-000CN	1
9	Top-door (upper-cover) assembly	RM1-4121-000CN	1
9A	Link-slide assembly	4G3-0271-000CN	2
10	Front-door assembly	RM1-4134-000CN	1
11	Lower height-guide assembly	RM1-4135-000CN	1
12	Left upper-cover assembly	RM1-4179-000CN	1
14	Panel, height, upper	RC2-1283-000CN	1
16	Cover, option-slide	RC2-1347-000CN	1
18	Flag, paper-face sensing, upper	FC5-4162-000CN	1
21	Cover, front-lower	RL1-1717-000CN	1
22	Cover, rear-lower	RL1-1718-000CN	1
23	LED-PCA assembly	RM1-4141-000CN	1
A02	Photo interrupter, TLP1242	WG8-5593-000CN	2
A05	Mount, LED-PCA	RC2-1735-000CN	1


 **NOTE:** Only highlighted parts are orderable.

Figure 9-38 External panels and covers (booklet-maker)

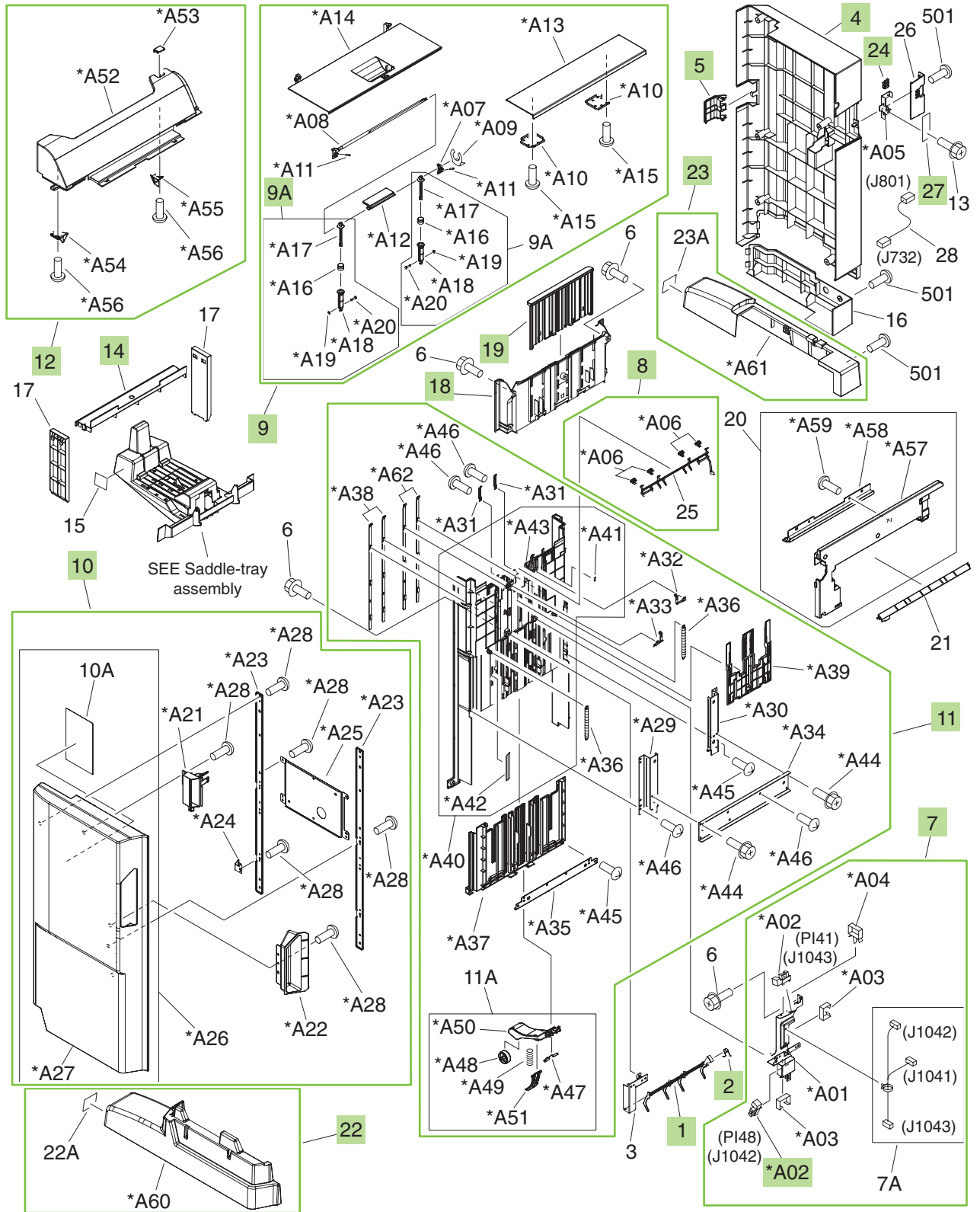


Table 9-37 External panels and covers (booklet-maker)

Ref	Description	Part number	Qty
1	Flag, paper-sensing sensor	FC5-5004-000CN	1
2	Spring, torsion	FC5-5005-000CN	1
4	Cover, rear	RC2-1278-000CN	1
5	Cover, tray-connector	RC2-1279-000CN	1
7	Paper-face sensor assembly	4G3-0934-000CN	1
8	Paper-face sensing assembly	4G3-1624-000CN	1
9	Top-door (upper-cover) assembly	RM1-4121-000CN	1
9A	Link-slide assembly	4G3-0271-000CN	2
10	Front-door assembly	RM1-4122-000CN	1
11	Middle-height cover assembly	RM1-4119-000CN	1
12	Left-upper cover assembly	RM1-4129-000CN	1
14	Cover, left-lower	RC2-1280-000CN	1
18	Panel, height, upper	RC2-1283-000CN	1
19	Guide, side-wall	RC2-1284-000CN	1
22	Cover, front-lower	RL1-1717-000CN	1
23	Cover, rear-lower	RL1-1718-000CN	1
24	Window, LED	RC2-1734-000CN	1
27	LED-PCA assembly	RM1-4141-000CN	1
A02	Photo interrupter, TLP1242	WG8-5593-000CN	2

 **NOTE:** Only highlighted parts are orderable.

Figure 9-39 Finisher (1 of 5) (stapler/stacker and booklet-maker)

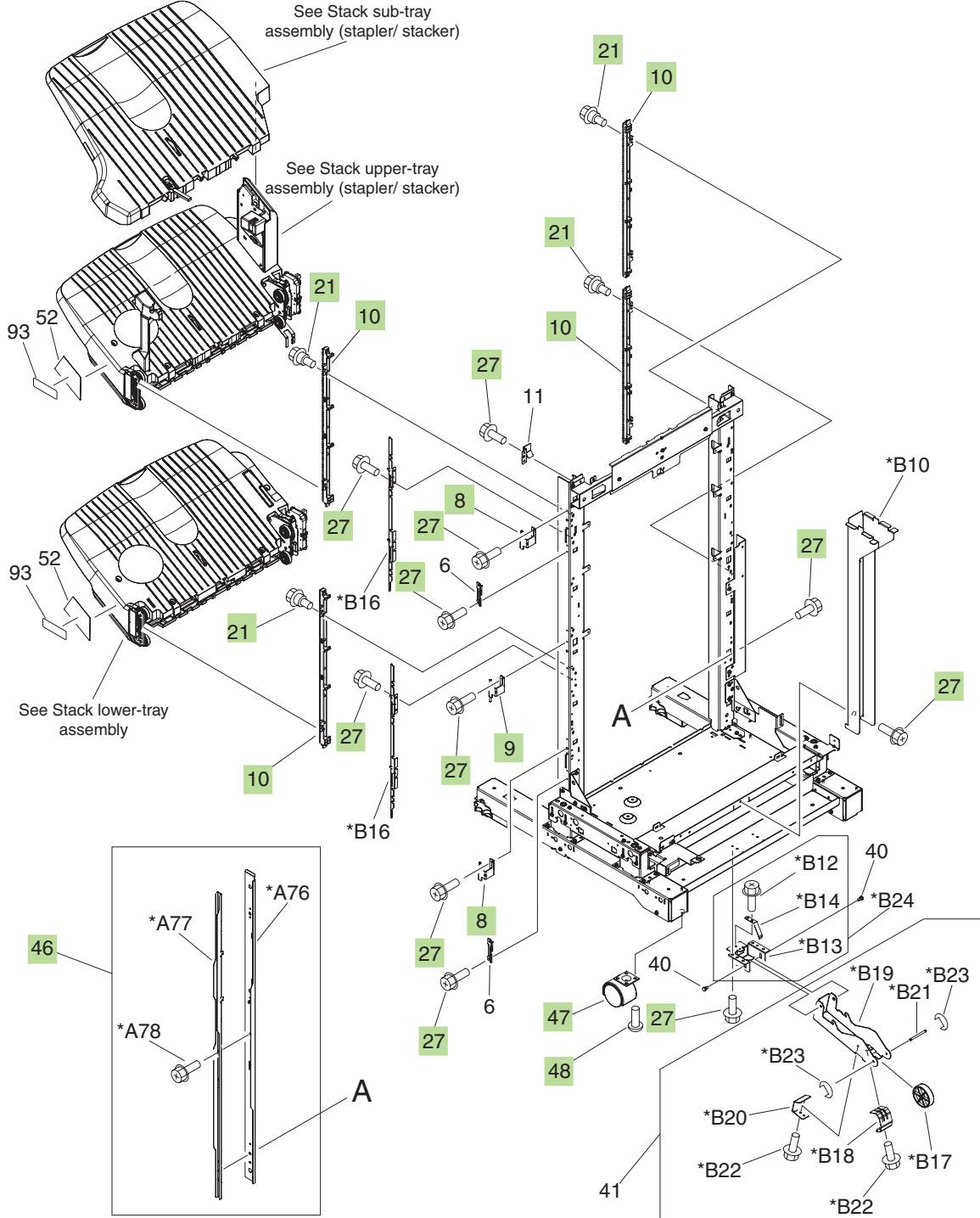


Figure 9-40 Finisher (2 of 5) (stapler/stacker and booklet-maker)

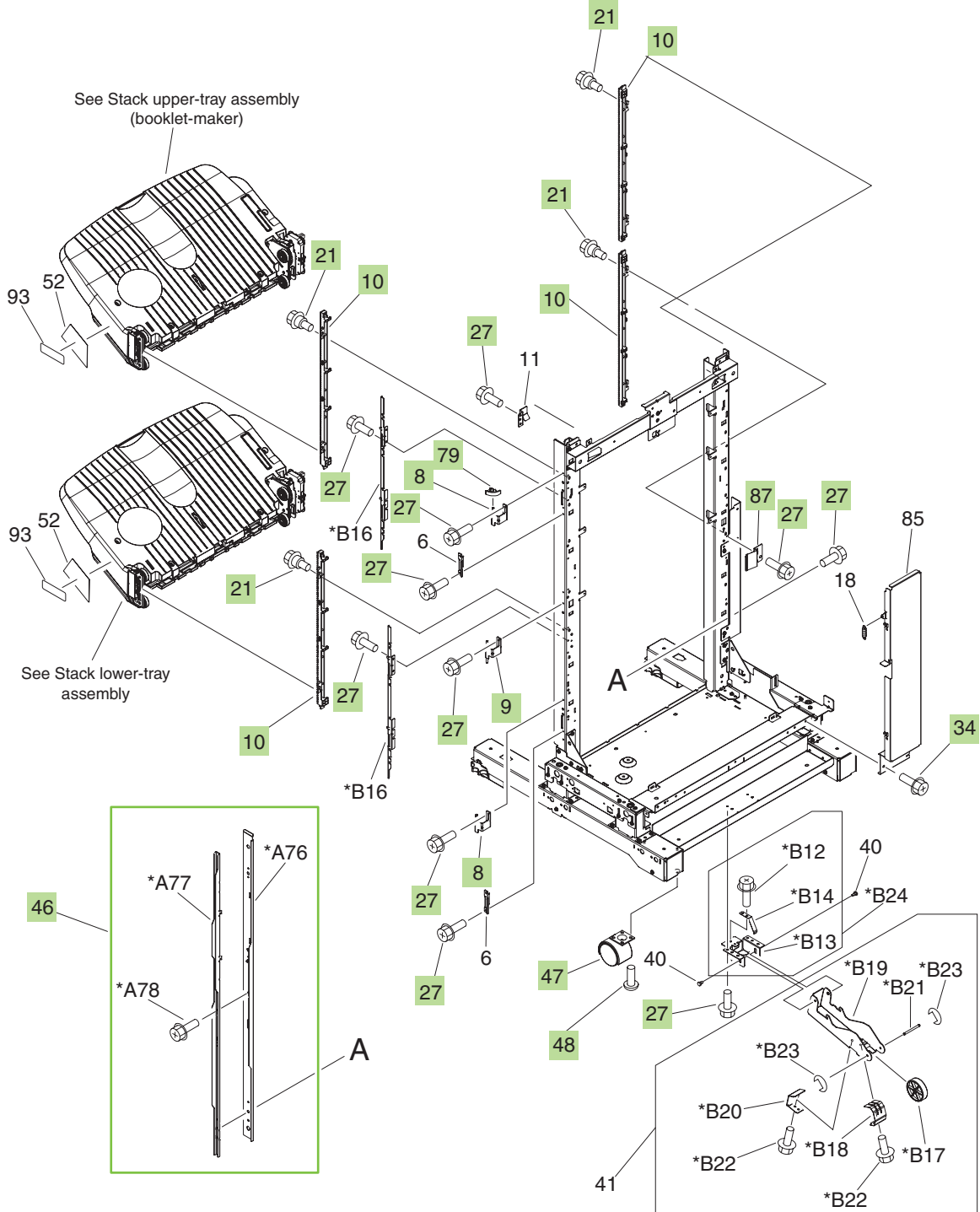


Figure 9-41 Finisher (3 of 5) (stapler/stacker and booklet-maker)

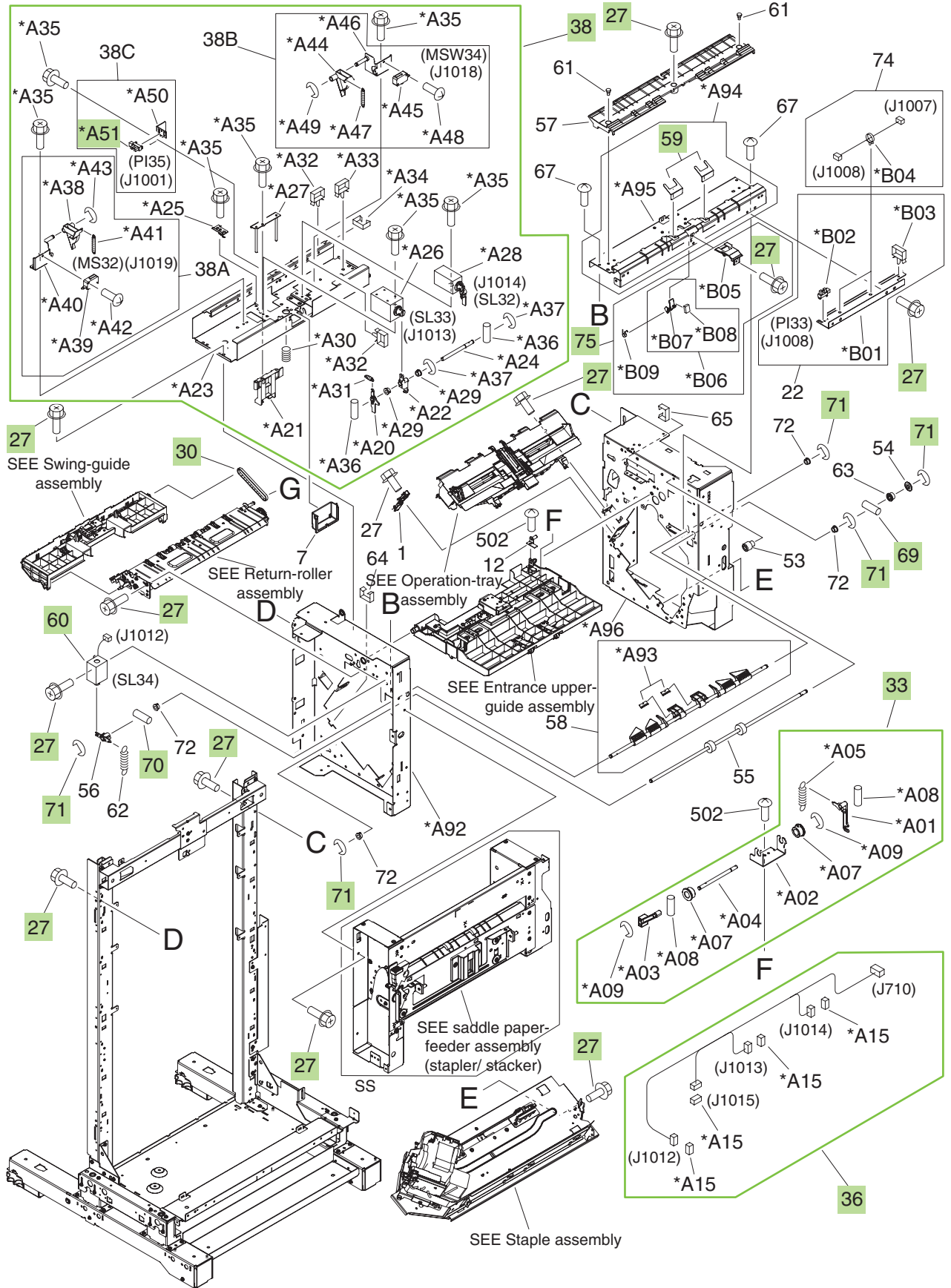


Figure 9-42 Finisher (4 of 5) (stapler/stacker and booklet-maker)

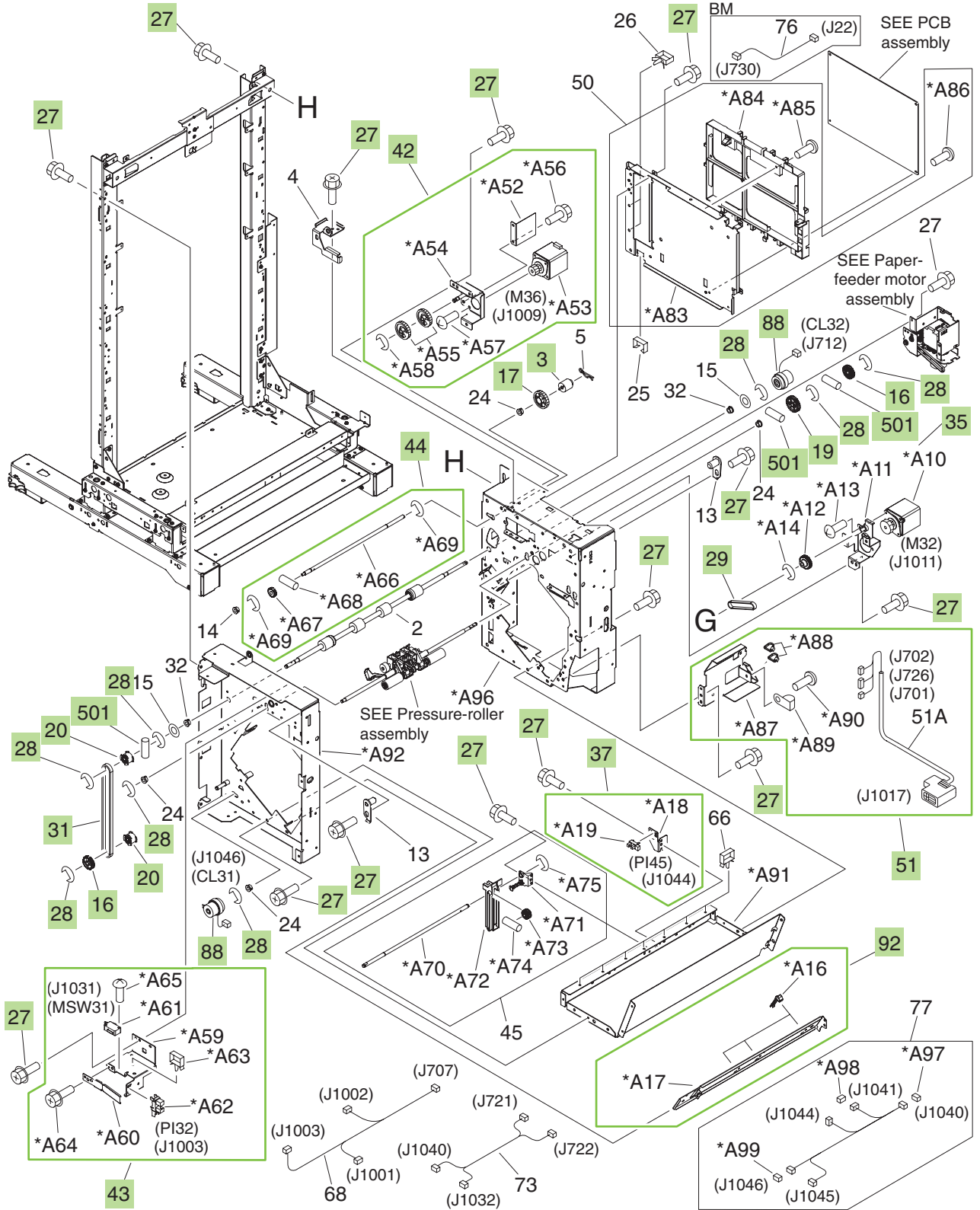


Figure 9-43 Finisher (5 of 5) (stapler/stacker and booklet-maker)

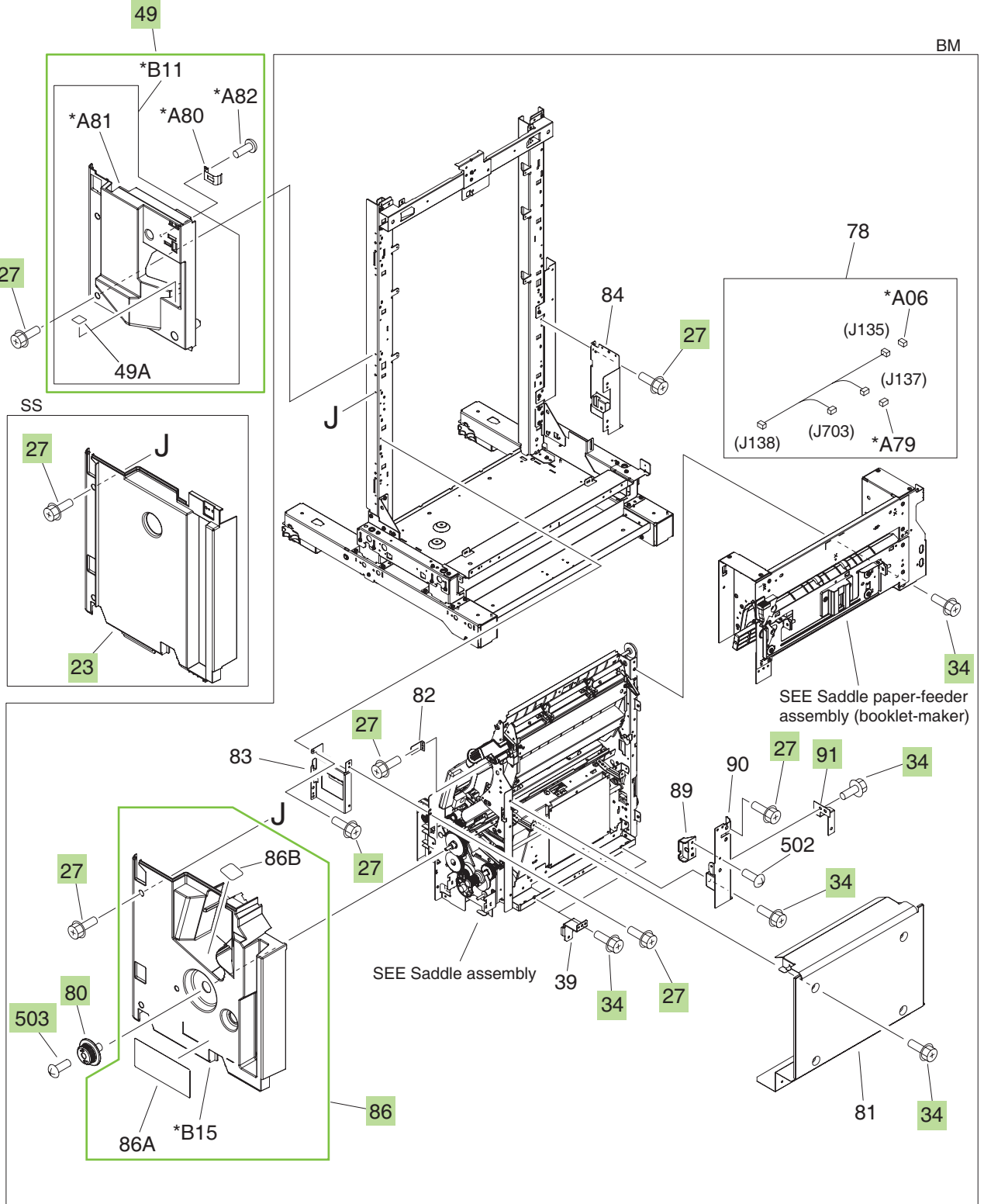


Table 9-38 Finisher (stapler/stacker and booklet-maker)

Ref	Description	Part number	Qty
3	Limiter, torque	FC5-3657-000CN	1
8	Hinge, front-door, 1	FC5-4991-030CN	2
9	Hinge, front-door, 2	FC5-4992-030CN	1
10	Rack, rail	FC5-5436-000CN	4
16	Gear, 30T	FU5-0428-000CN	2
17	Gear, 40T	FU5-0454-000CN	1
19	Gear, 29T	FU5-2399-000CN	1
20	Pulley, 20T	FU5-3086-000CN	2
21	Screw, RS stepped, M3	FU9-9059-000CN	8
23	Cover, internal, lower (stapler/stacker only)	RC2-1351-000CN	1
27	Screw, RS, M3x8	XA9-1386-000CN	83
28	Ring, E	XD9-0136-000CN	10
29	Belt, timing, cogged	XF2-1607-860CN	1
30	Belt, timing	XF2-1608-840CN	1
31	Belt, timing, cogged	XF9-0748-000CN	1
33	Upper-cover lock assembly	4G3-0210-000CN	1
34	Screw, RS, M4x8 (booklet-maker only)	XA9-0732-000CN	18
35	Stack-ejection motor assembly	4G3-0769-000CN	1
36	Cable, solenoid	FG3-2892-000CN	1
37	Shutter H.P. sensor assembly	FM2-1401-000CN	1
38	Upper-crossmember assembly	RM1-4180-000CN	1
42	Press-motor assembly	FM2-1409-000CN	1
43	Sensor/switch assembly	FM2-1417-000CN	1
44	Swing-press shaft assembly	FM2-1423-000CN	1
46	Area-sensor flag assembly	RM1-4107-000CN	1
47	Caster, universal	RC2-1315-000CN	4
48	Screw, with washer, M5x12	XA9-0912-000CN	12
49	Inner-cover assembly	RM1-4123-000CN	1
51	Cable-mount lattice assembly	RM1-4128-000CN	1
59	Sheet, entrance-guide	FC5-5542-000CN	2
60	Solenoid	FL2-0821-000CN	1
69	Pin	XD3-2200-102CN	1
70	Pin, dowel	XD3-2200-142CN	1
71	Ring, E	XD9-0136-000CN	5

Table 9-38 Finisher (stapler/stacker and booklet-maker) (continued)

Ref	Description	Part number	Qty
75	Entrance-sensor flag assembly	FM2-0718-000CN	1
79	Plate, hinge-stop (booklet-maker only)	4A3-4715-000CN	1
80	Knob (booklet-maker only)	FB3-7881-000CN	1
86	Cover, internal, lower (booklet-maker only)	RL1-1477-000CN	1
87	Plate, grounding (booklet-maker only)	4A3-1955-000CN	1
88	Clutch, electromagnetic	4H3-0370-000CN	2
91	Plate, grounding (booklet-maker only)	RC2-1356-000CN	1
92	Flexible-cable mount assembly	FM2-0720-000CN	1
501	Pin	XD3-2200-102CN	4
503	Screw, TP, M3x6 (booklet-maker only)	XB6-7300-607CN	1
A51	Photo interrupter, TLP1242	WG8-5593-000CN	1

 **NOTE:** Only highlighted parts are orderable.

Figure 9-44 Output bin 1 (stack upper-tray assembly) (1 of 2) (stapler/stacker)

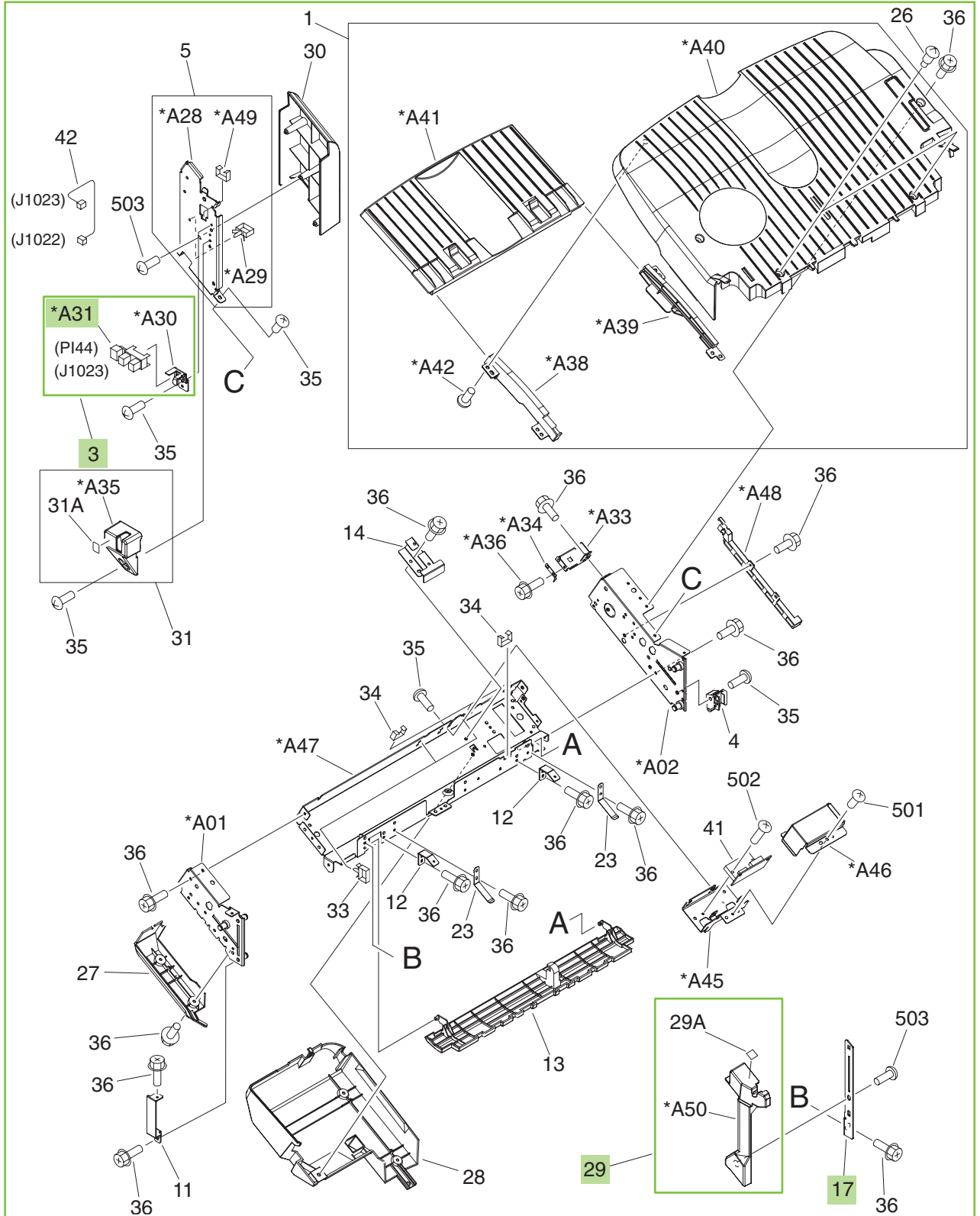


Figure 9-45 Output bin 1 (stack upper-tray assembly) (2 of 2) (stapler/stacker)

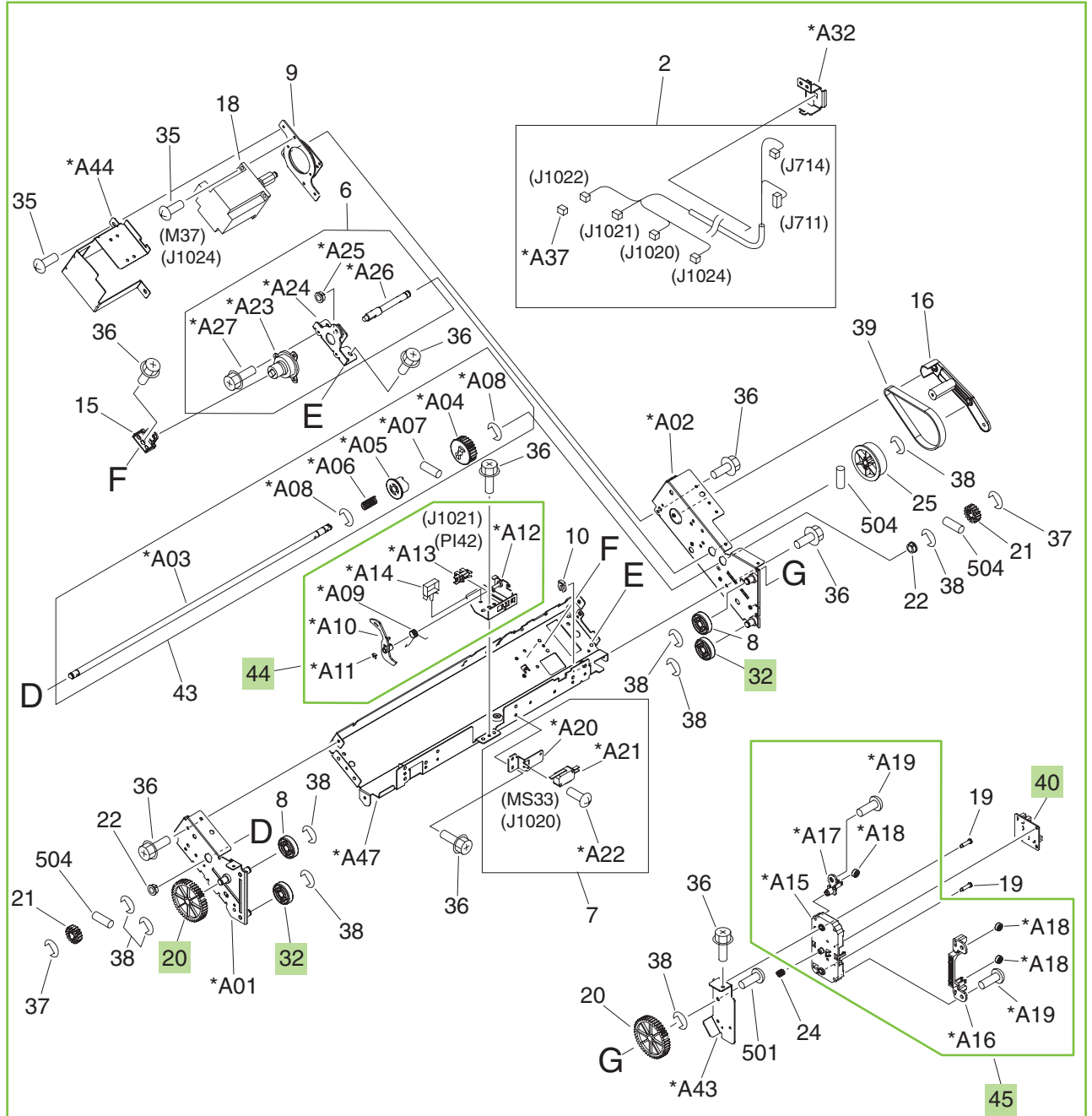


Table 9-39 Output bin 1 (stack upper-tray assembly) (stapler/stacker)

Ref	Description	Part number	Qty
All	Stack upper-tray assembly	RM1-4101-000CN	1
3	Option-sensor assembly	FM2-1708-000CN	1
17	Plate, option-tray, front	FC5-6978-000CN	1
20	Gear, 44T	FU5-0435-000CN	2
29	Cover, option-tray, front	RL1-2210-000CN	1
32	Roller, tray-guide	RU5-6035-000CN	2
40	Area-sensor PCA assembly	4G1-1498-000CN	1
44	Paper-sensor assembly	FM2-0707-000CN	1
45	Area-sensor holder assembly	FM2-0709-000CN	1
A31	Photo interrupter, TLP1242	WG8-5593-000CN	1

 **NOTE:** Only highlighted parts are orderable.

Figure 9-46 Output bin 1 (stack upper-tray assembly) (1 of 2) (booklet-maker)

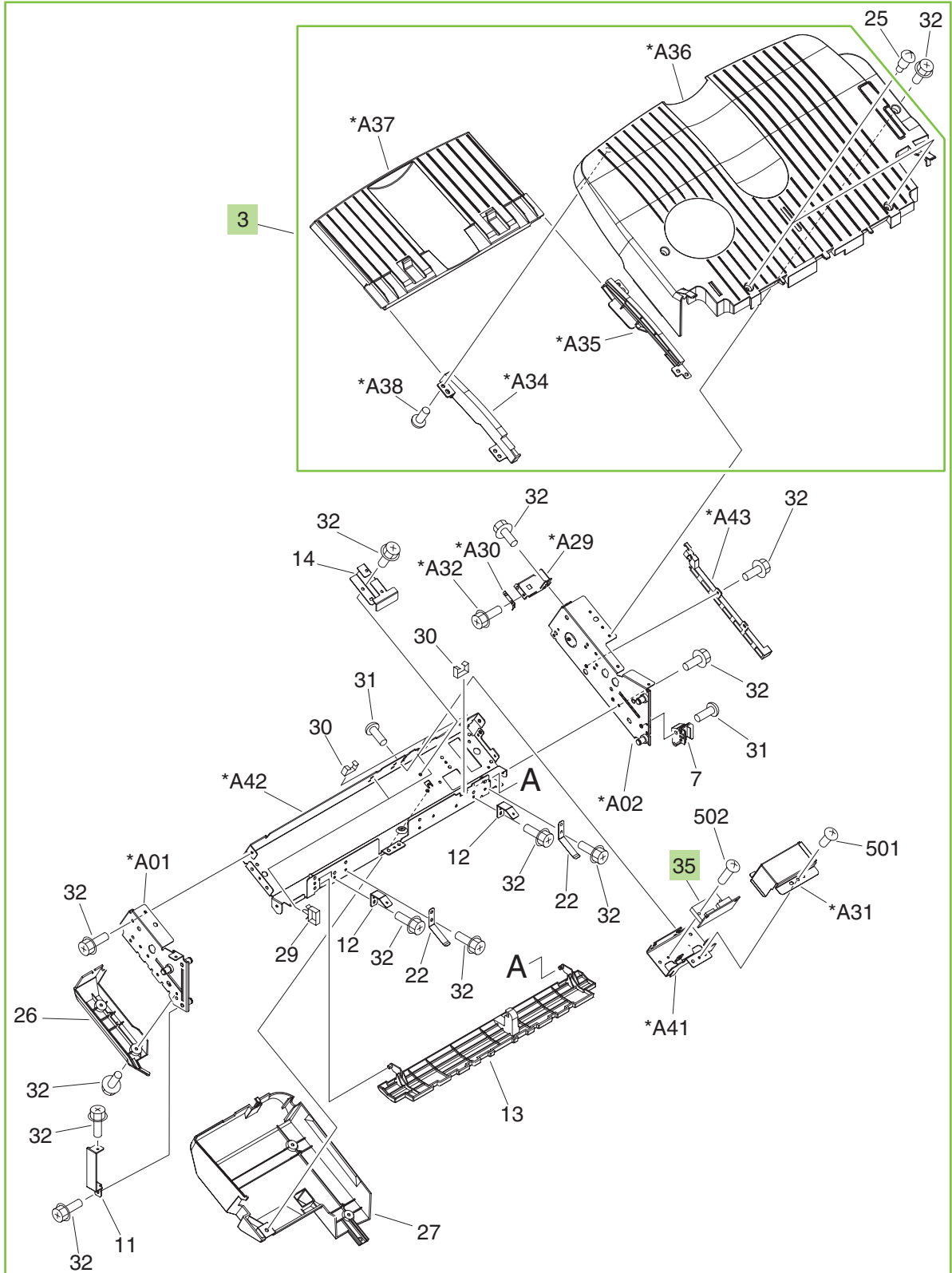


Figure 9-47 Output bin 1 (stack upper-tray assembly) (2 of 2) (booklet-maker)

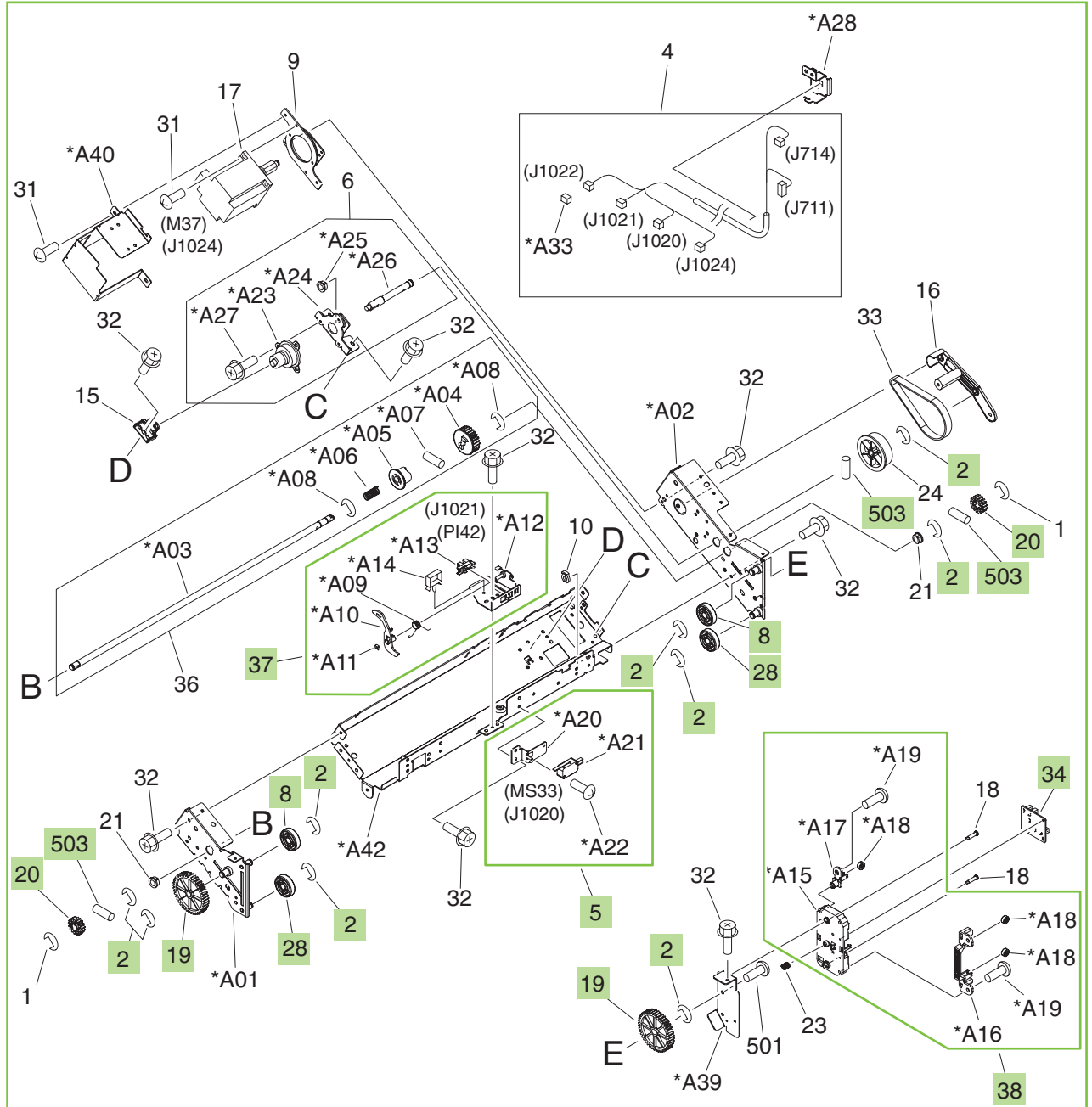


Table 9-40 Output bin 1 (stack upper-tray assembly) (booklet-maker)

Ref	Description	Part number	Qty
All	Stack upper-tray assembly	RM1-4102-000CN	1
2	Ring, E	XD9-0137-000CN	9
3	Stack-tray assembly	RM1-4104-000CN	1
5	Approach-switch assembly	FM2-0710-000CN	1
8	Roller, tray-guide	FC5-4221-000CN	2
19	Gear, 44T	FU5-0435-000CN	2
20	Gear, 17T	FU5-0457-000CN	2
28	Roller, tray-guide	RU5-6035-000CN	2
34	Area-sensor PCA assembly	4G1-1498-000CN	1
35	Tray-driver PCA assembly	FG3-2887-000CN	1
37	Paper-sensor assembly	FM2-0707-000CN	1
38	Area-sensor holder assembly	FM2-0709-000CN	1
503	Pin, dowel	XD3-2300-142CN	3


 **NOTE:** Only highlighted parts are orderable.

Figure 9-48 Output bin 2 (stack lower-tray assembly) (1 of 2) (stapler/stacker and booklet-maker)

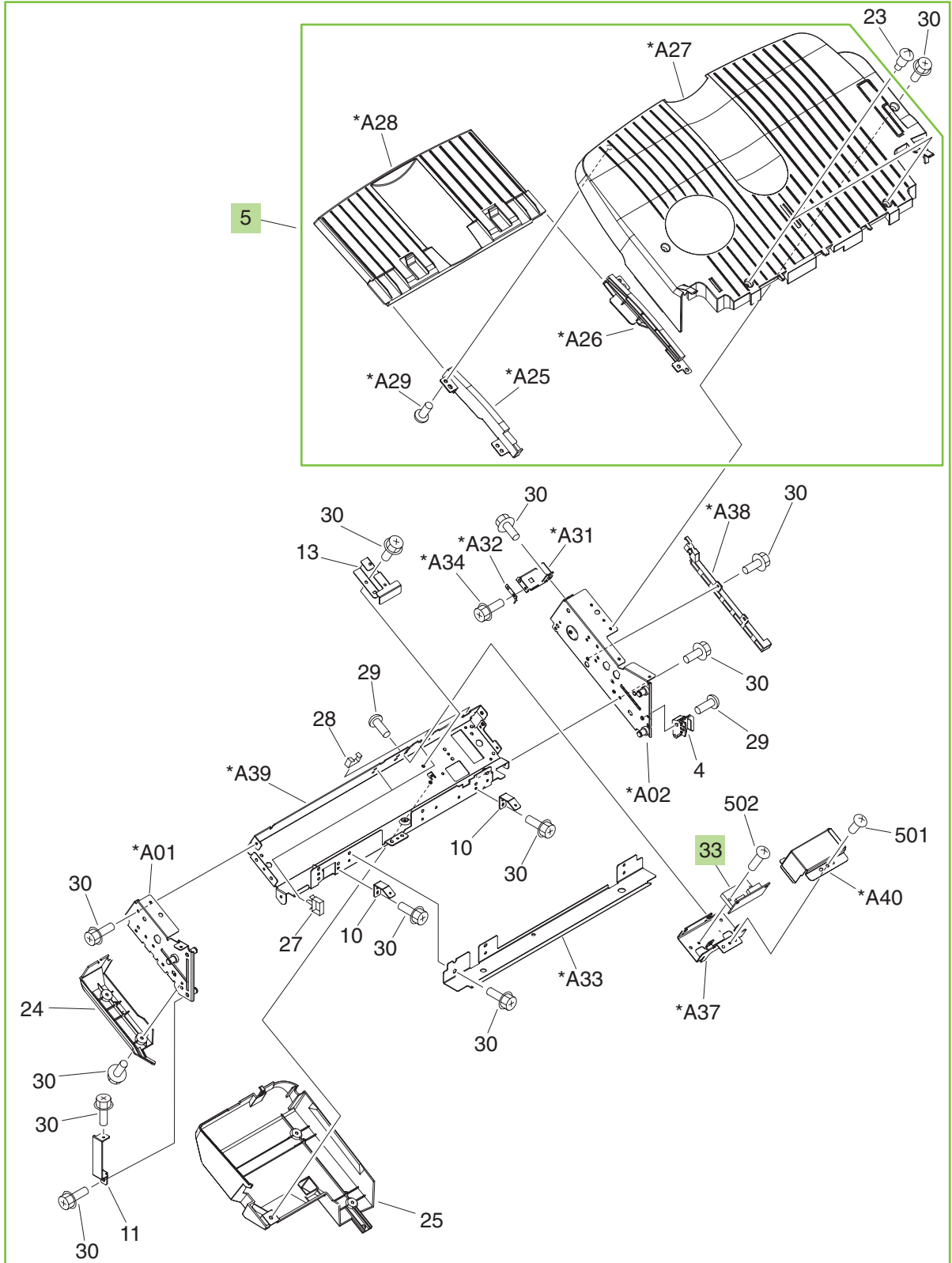


Figure 9-49 Output bin 2 (stack lower-tray assembly) (2 of 2) (stapler/stacker and booklet-maker)

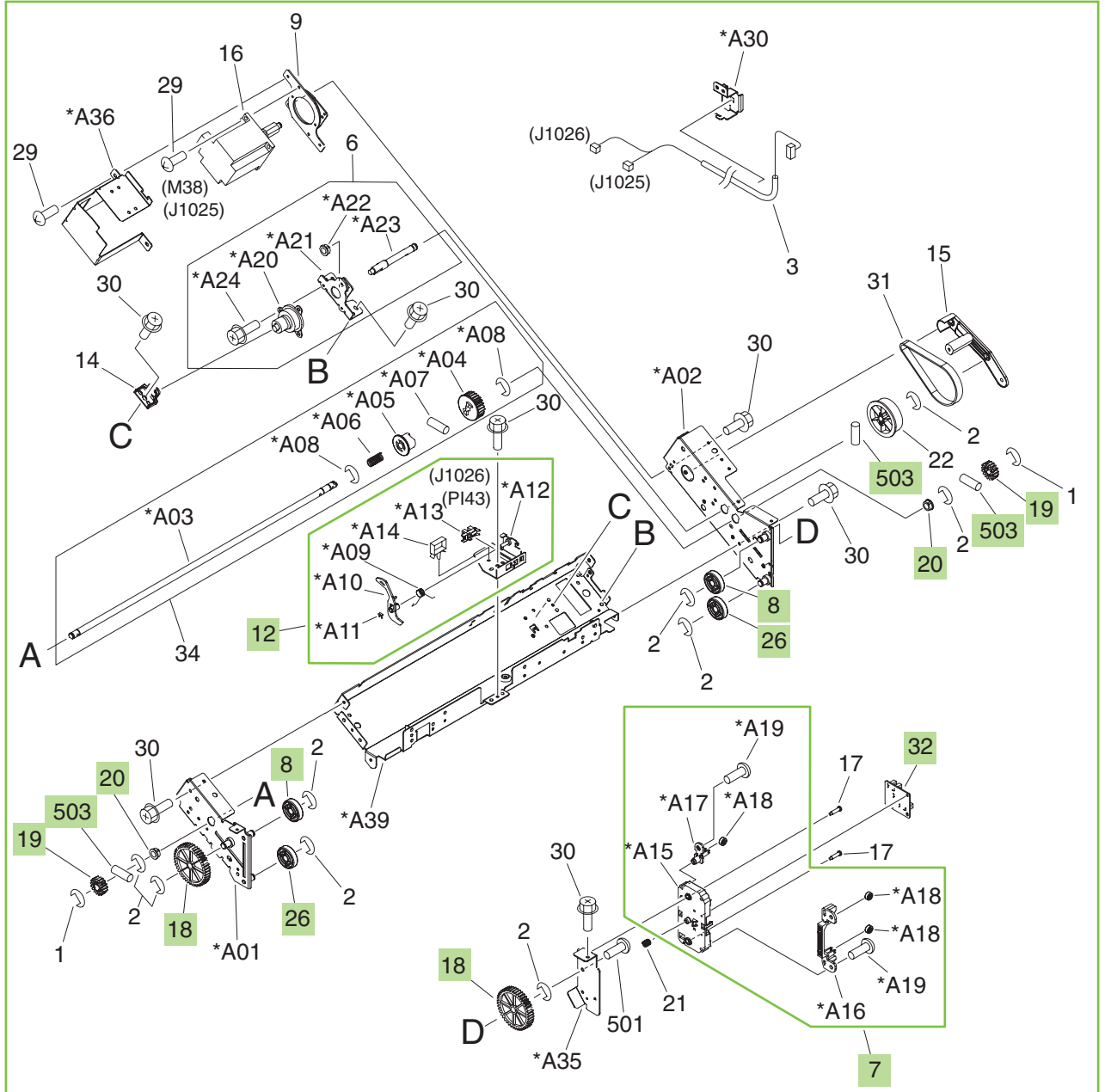


Table 9-41 Output bin 2 (stack lower-tray assembly) (stapler/stacker and booklet-maker)

Ref	Description	Part number	Qty
All	Stack lower-tray assembly	RM1-4105-000CN	1
5	Stack-tray assembly	RM1-4104-000CN	1
7	Area-sensor holder assembly	FM2-0709-000CN	1
8	Roller, tray-guide	FC5-4221-000CN	2
12	Paper-sensor assembly	FM2-0707-000CN	1
18	Gear, 44T	FU5-0435-000CN	2
19	Gear, 17T	FU5-0457-000CN	2
20	Bushing	FU5-1169-000CN	2
26	Roller, tray-guide	RU5-6035-000CN	2
32	Area-sensor PCA assembly	4G1-1498-000CN	1
33	Tray-driver PCA assembly	FG3-2887-000CN	1
503	Pin, dowel	XD3-2300-142CN	3

 **NOTE:** Only highlighted parts are orderable.

Figure 9-50 Top output bin (stack sub-tray assembly) (stapler/stacker)

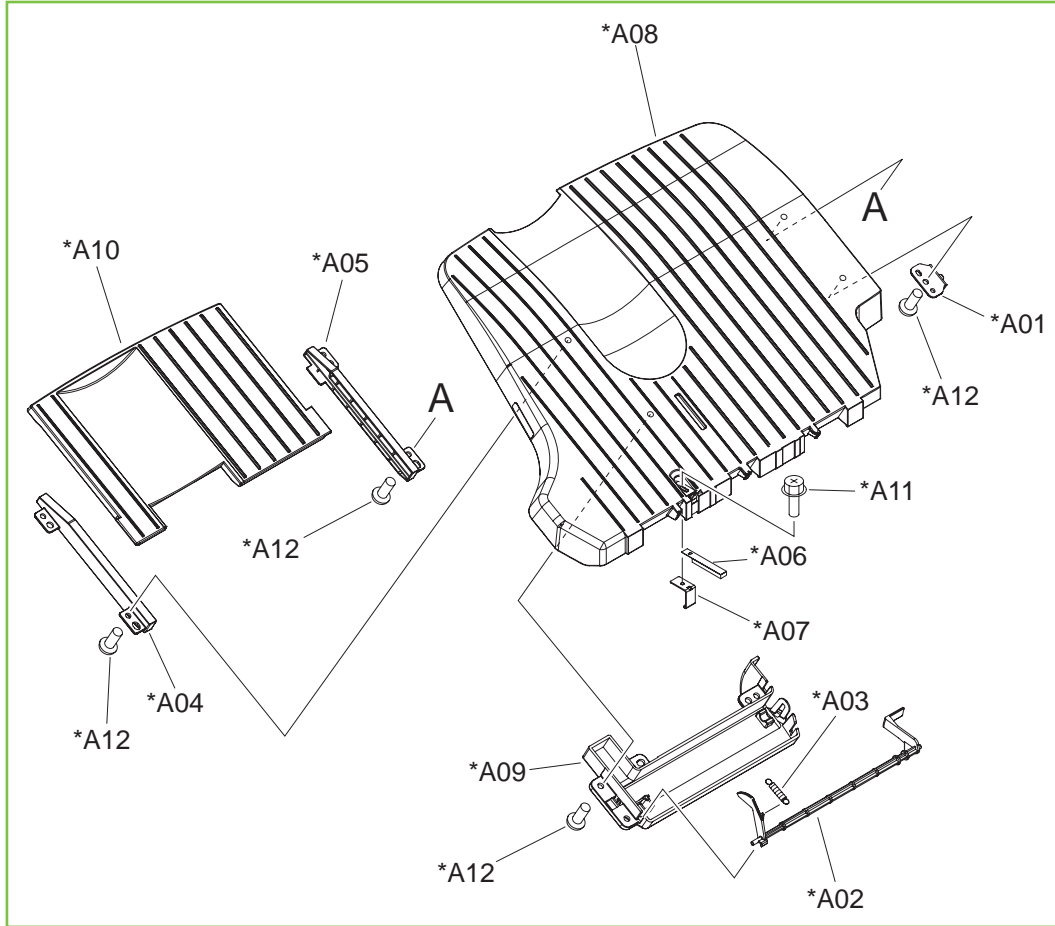


Table 9-42 Top output bin (stack sub-tray assembly) (stapler/stacker)

Ref	Description	Part number	Qty
All	Stack sub-tray assembly	RM1-4115-000CN	1

 **NOTE:** Only highlighted parts are orderable.

Figure 9-51 Operation-tray assembly (1 of 2) (stapler/stacker and booklet-maker)

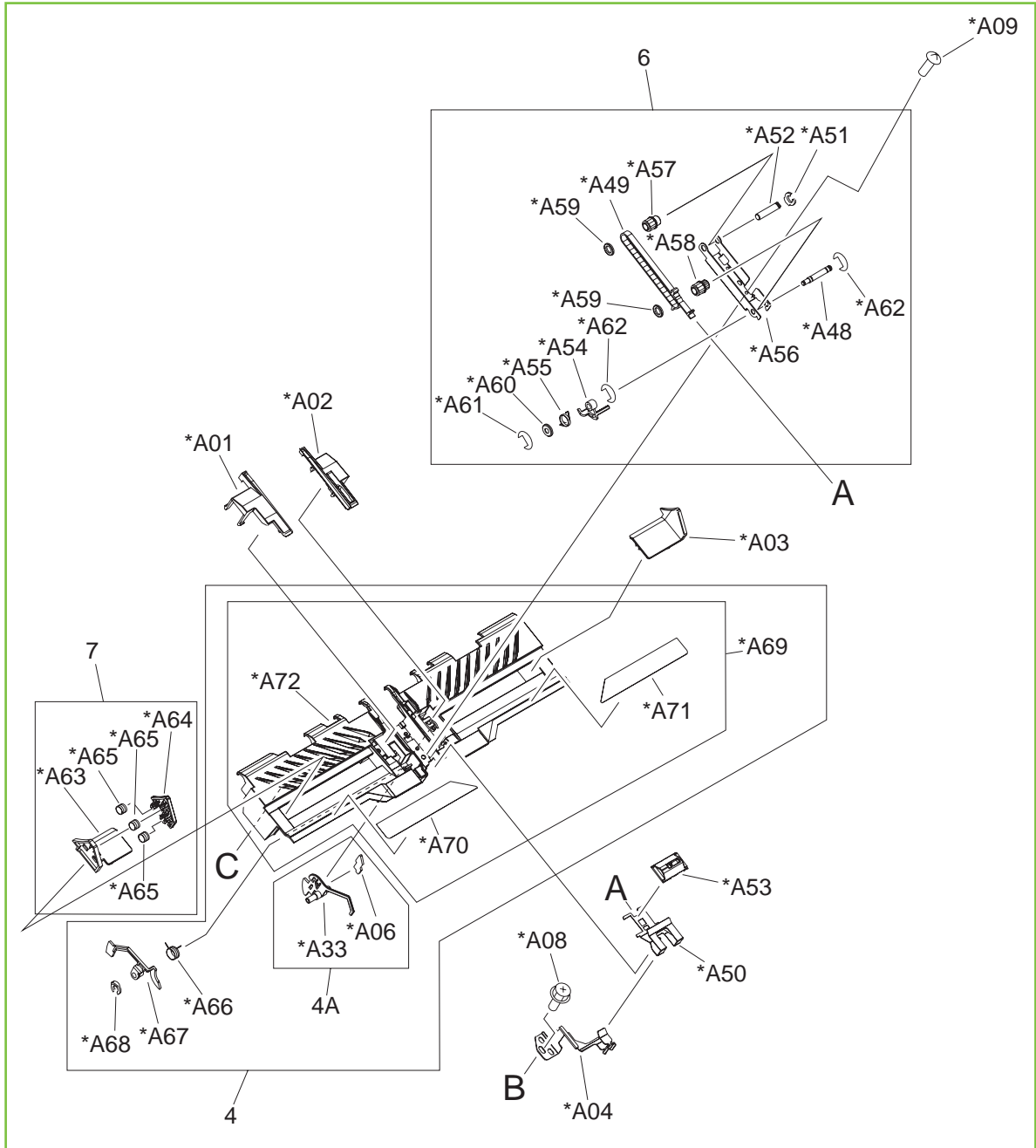


Figure 9-52 Operation-tray assembly (2 of 2) (stapler/stacker and booklet-maker)

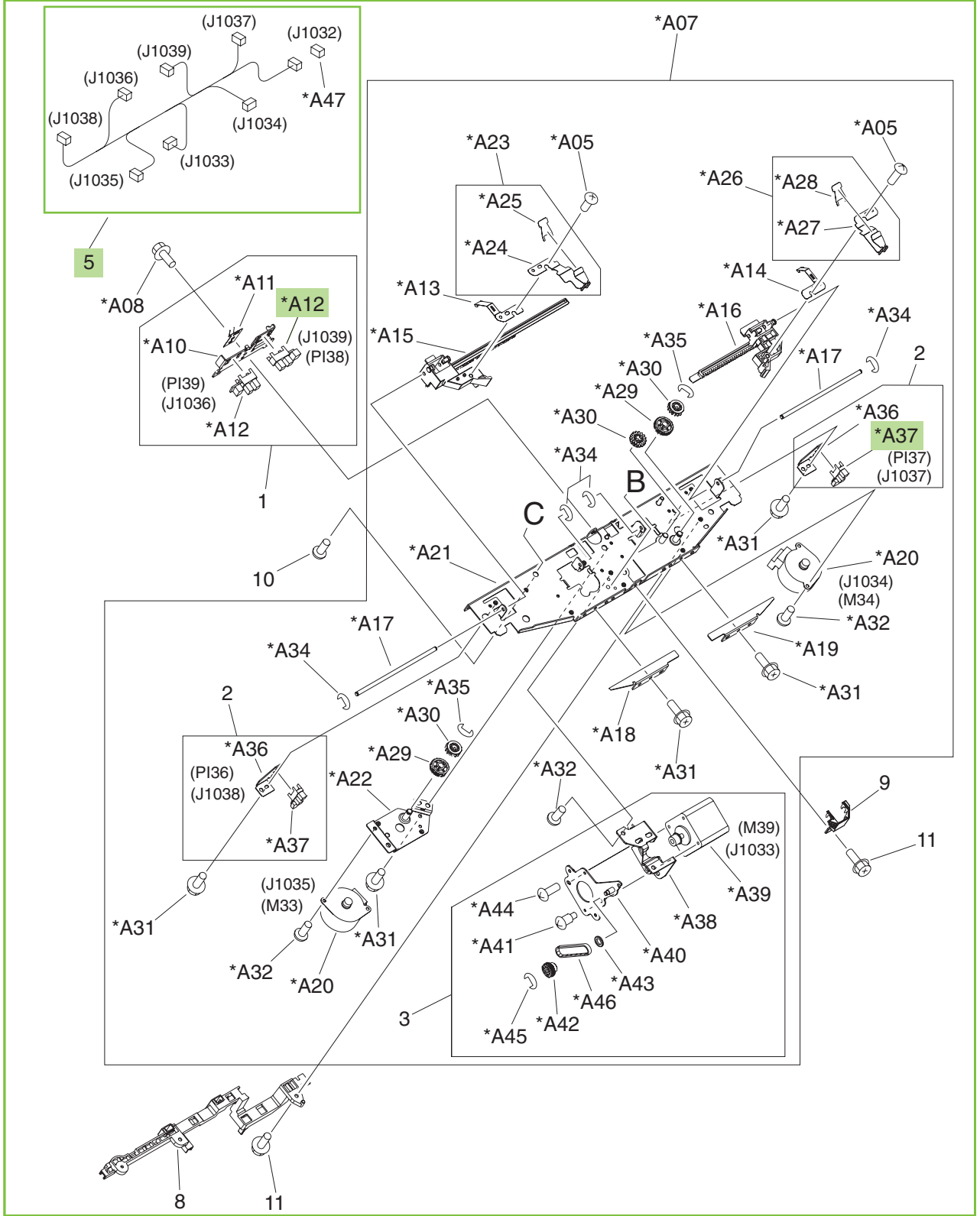


Table 9-43 Operation-tray assembly (stapler/stacker and booklet-maker)

Ref	Description	Part number	Qty
All	Operation-tray assembly	RM1-4125-000CN	1
5	Cable, operation-tray	FG3-2903-000CN	1
A12	Photo interrupter, TLP1242	WG8-5593-000CN	2
A37	Photo interrupter, TLP1242	WG8-5593-000CN	1

 **NOTE:** Only highlighted parts are orderable.

Figure 9-53 Paper-feeder motor assembly (stapler/stacker and booklet-maker)

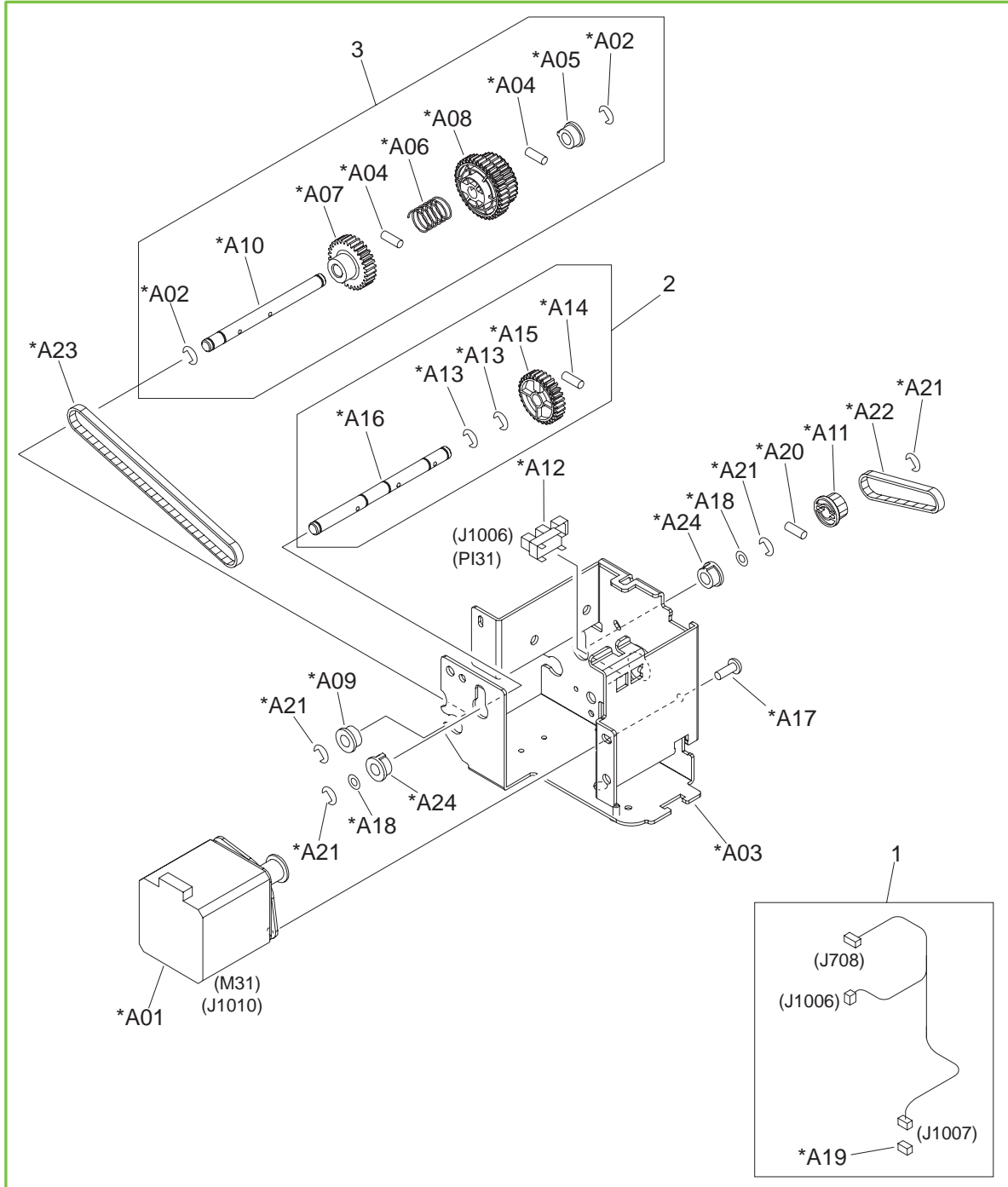


Table 9-44 Paper-feeder motor assembly (stapler/stacker and booklet-maker)

Ref	Description	Part number	Qty
All	Paper-feeder motor assembly	RM1-4175-000CN	1

 **NOTE:** Only highlighted parts are orderable.

Figure 9-54 Return-roller assembly (stapler/stacker and booklet-maker)

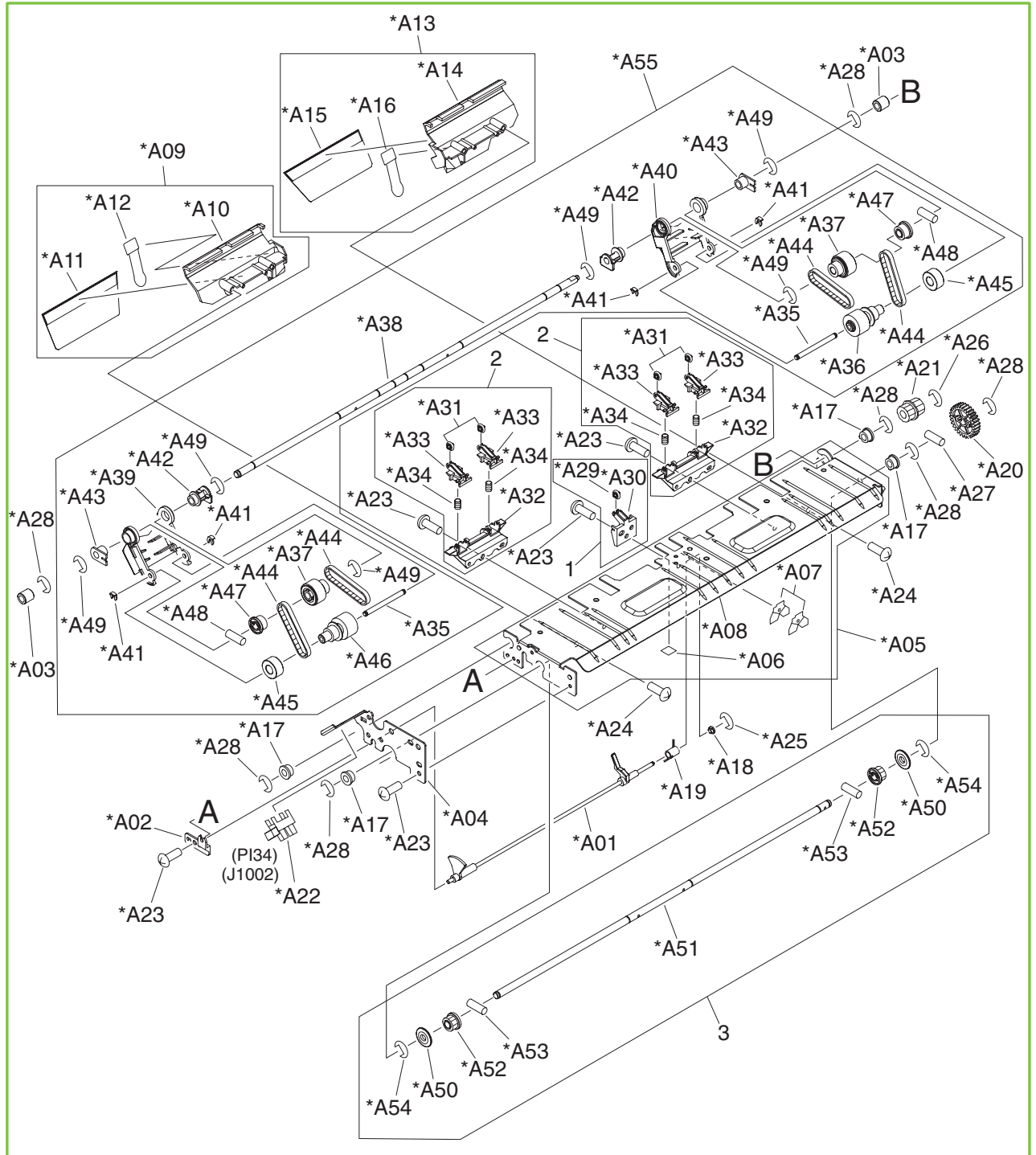


Table 9-45 Return-roller assembly (stapler/stacker and booklet-maker)

Ref	Description	Part number	Qty
All	Return-roller assembly	FM2-0725-090	1

 **NOTE:** Only highlighted parts are orderable.

Figure 9-55 Pressure-roller assembly (stapler/stacker and booklet-maker)

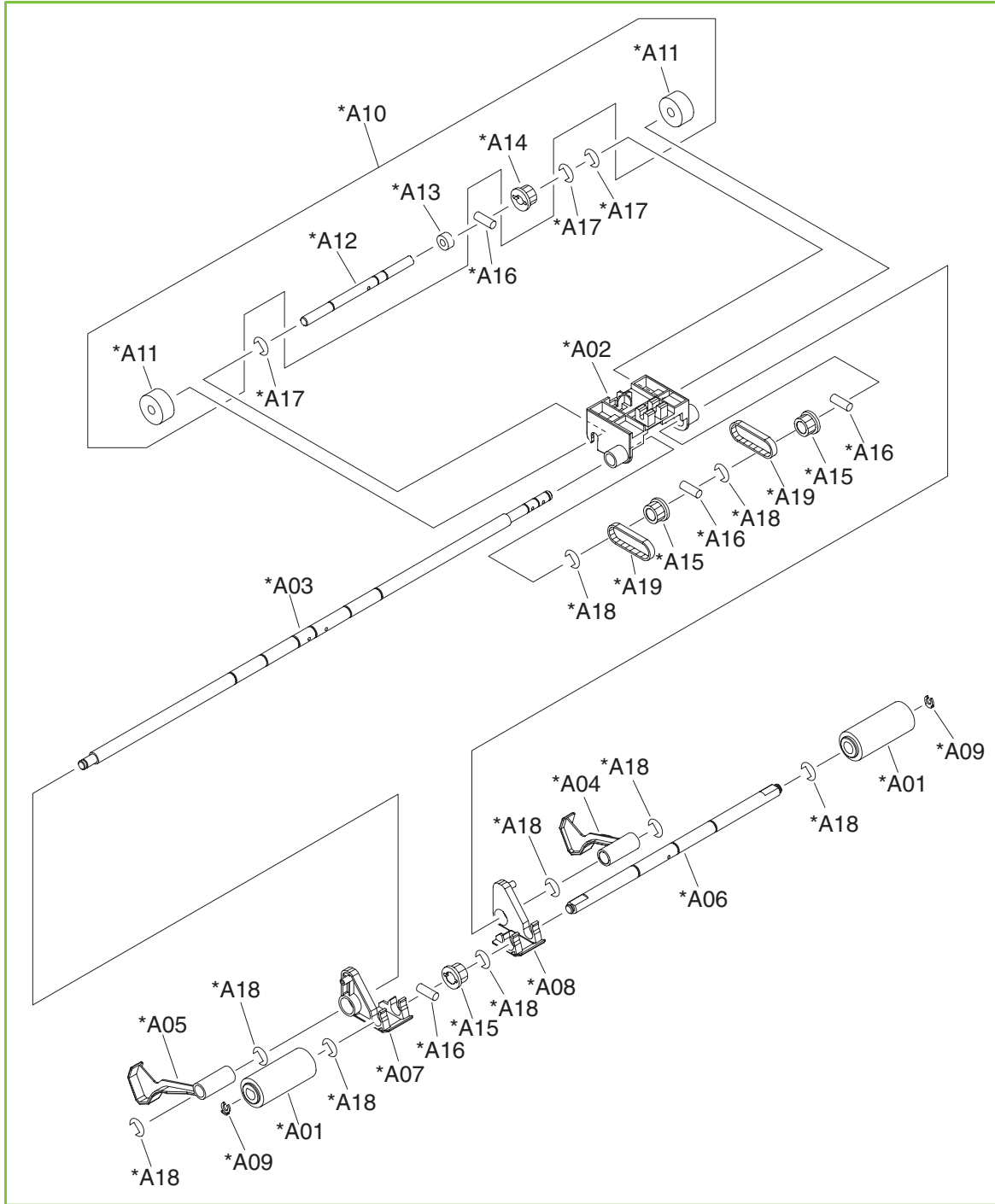


Table 9-46 Pressure-roller assembly (stapler/stacker and booklet-maker)

Ref	Description	Part number	Qty
All	Pressure-roller assembly	FM2-0730-000CN	1

 **NOTE:** Only highlighted parts are orderable.

Figure 9-56 Swing-guide assembly (stapler/stacker and booklet-maker)

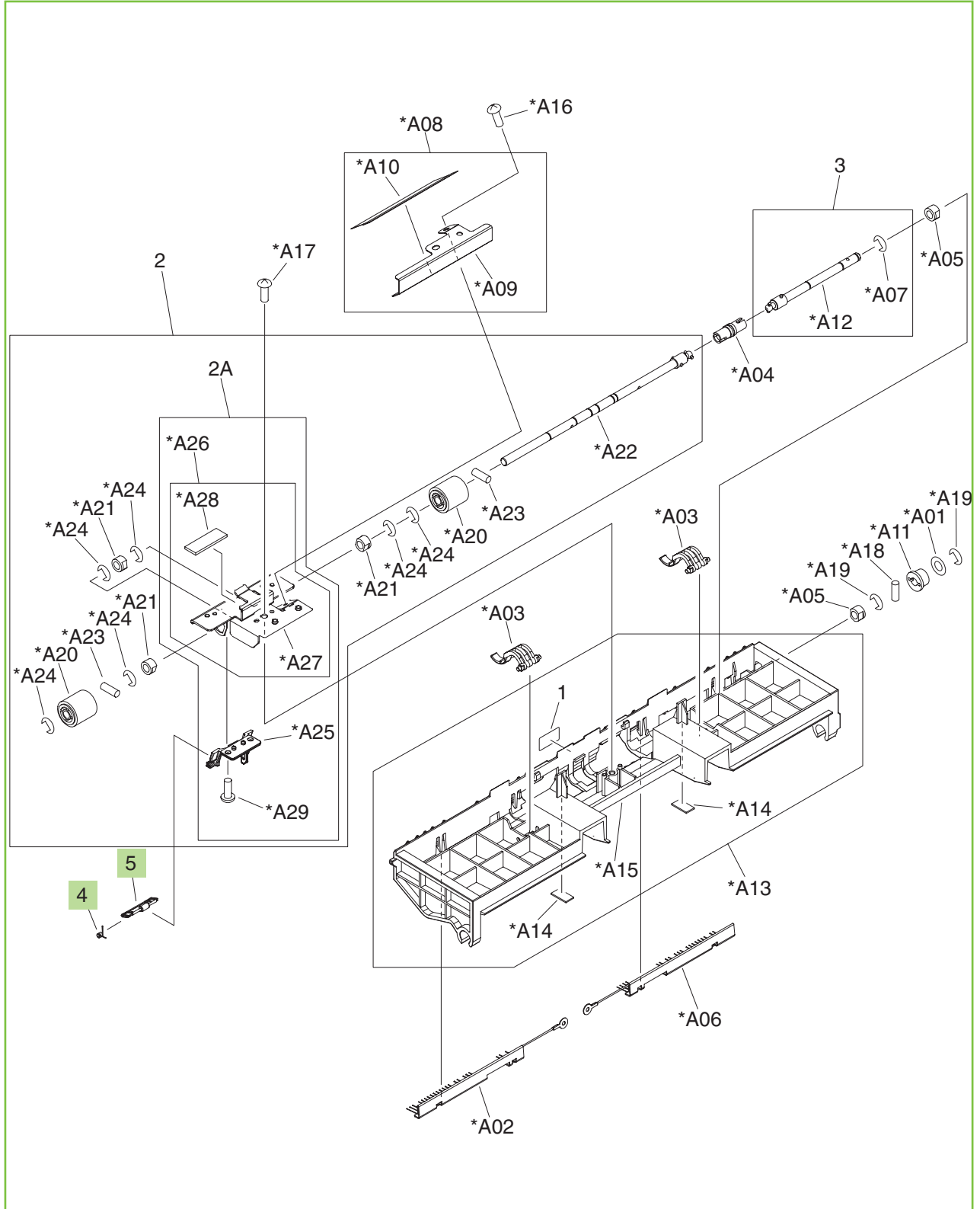


Table 9-47 Swing-guide assembly (stapler/stacker and booklet-maker)

Ref	Description	Part number	Qty
All	Swing-guide assembly	RM1-4108-000CN	1
4	Spring, torsion	FC5-6857-000CN	1
5	Arm, paper-delivery gate	RC2-1293-000CN	1

 **NOTE:** Only highlighted parts are orderable.

Figure 9-57 Entrance upper-guide assembly (stapler/stacker and booklet-maker)

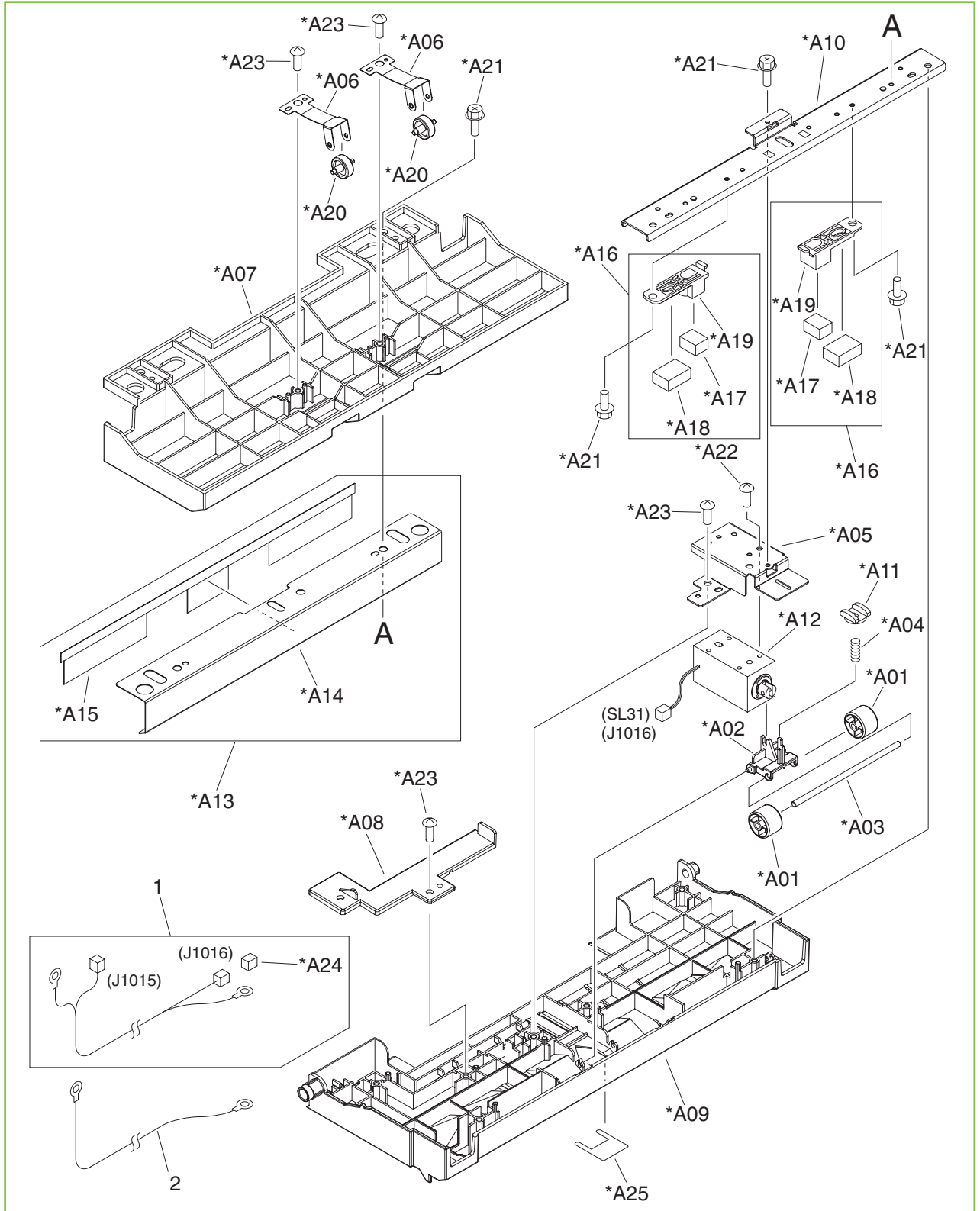


Table 9-48 Entrance upper-guide assembly (stapler/stacker and booklet-maker)

Ref	Description	Part number	Qty
All	Entrance upper-guide assembly	RM1-4172-000CN	1

 **NOTE:** Only highlighted parts are orderable.

Figure 9-58 Staple assembly (stapler/stacker and booklet-maker)

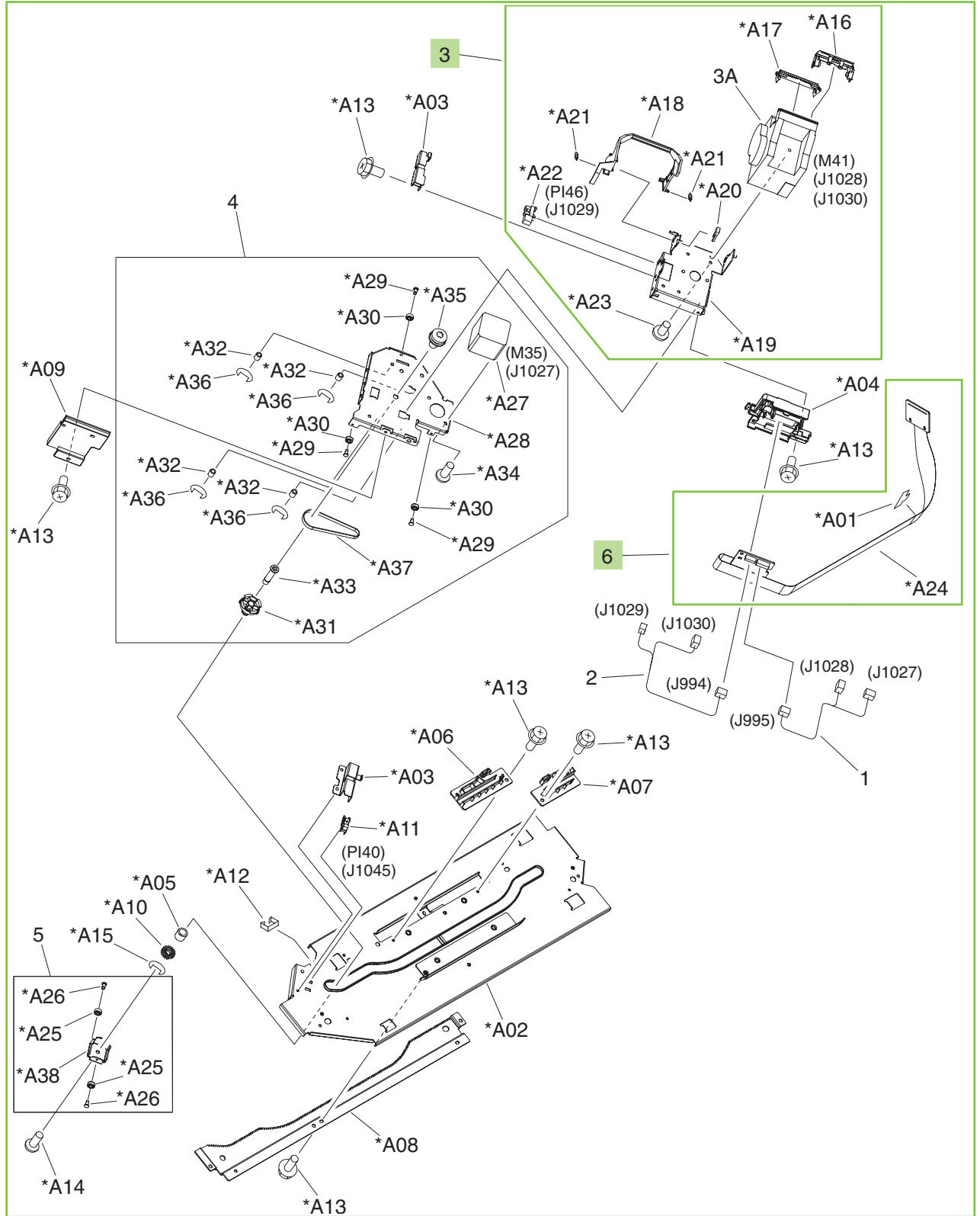


Table 9-49 Staple assembly (stapler/stacker and booklet-maker)

Ref	Description	Part number	Qty
All	Staple assembly	FM2-0721-000CN	1
3	Stapler sub-assembly	FM2-0722-000CN	1
	5000-staple replacement cartridge	C8091-67901	1
	2000-staple cartridge (for booklet making)	CC383-67901	1
6	Cable, staple-connecting assembly	4G3-1777-000CN	1

 **NOTE:** Only highlighted parts are orderable.

Figure 9-59 Saddle assembly (1 of 4) (booklet-maker)

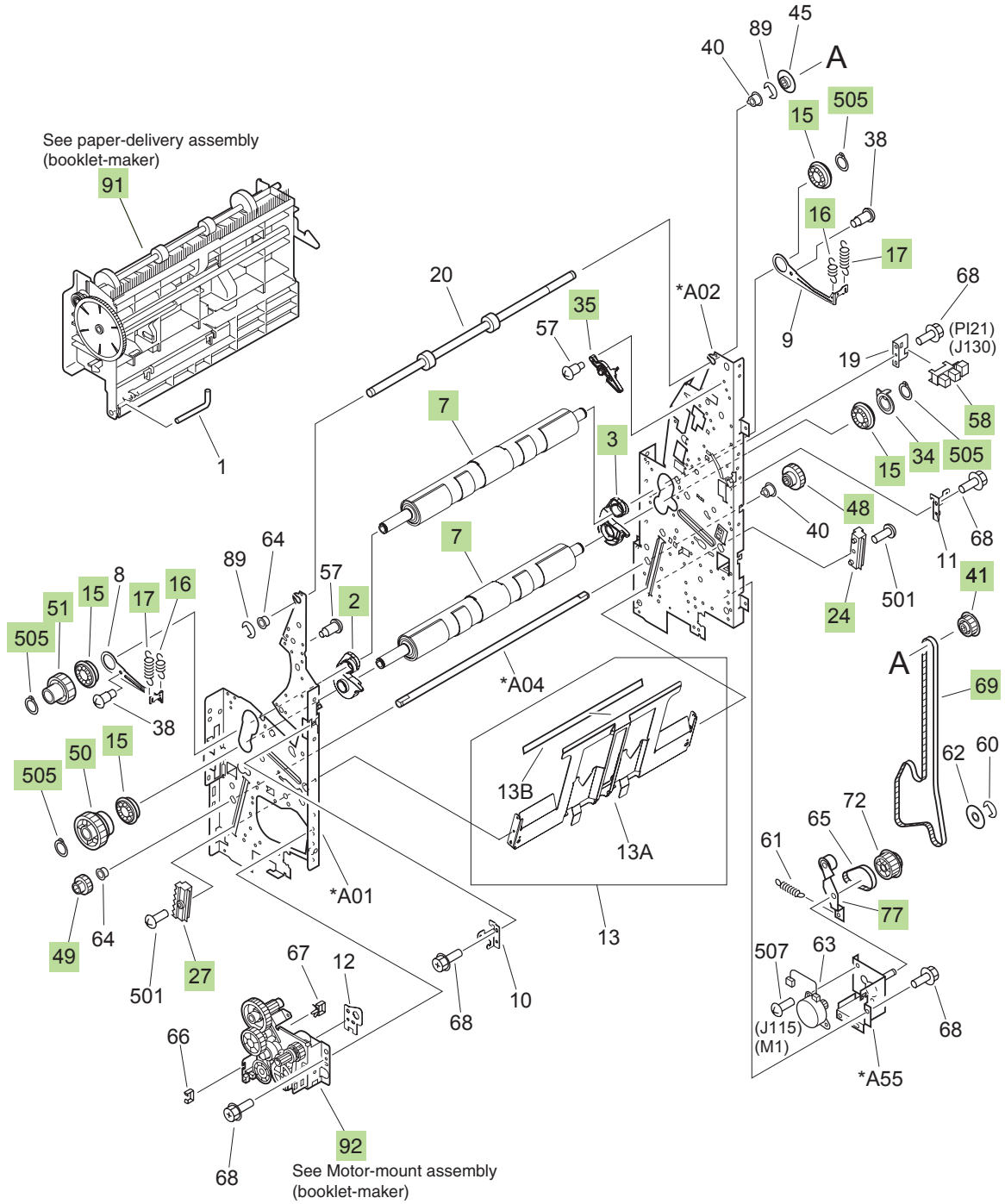


Figure 9-60 Saddle assembly (2 of 4) (booklet-maker)

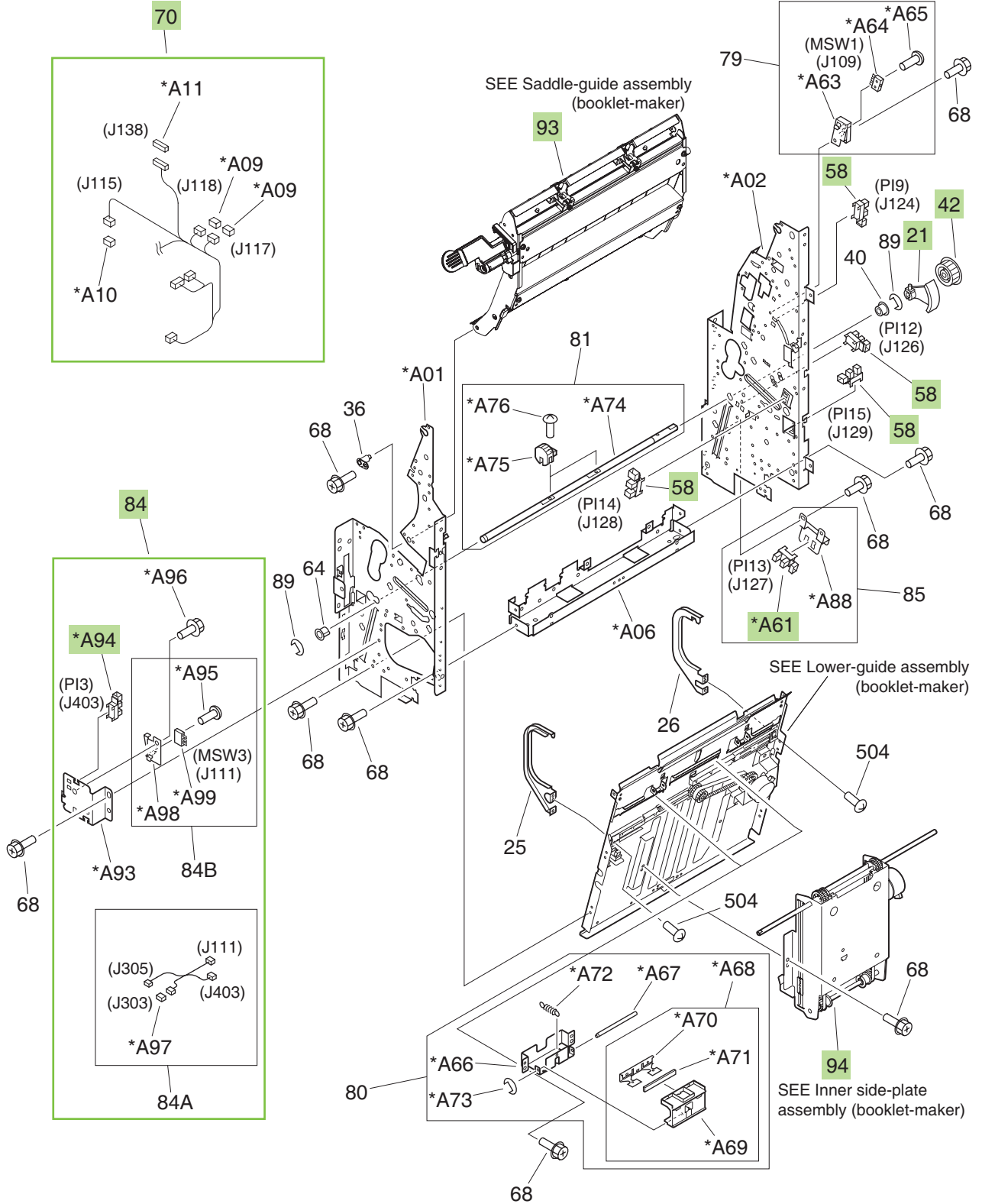


Figure 9-61 Saddle assembly (3 of 4) (booklet-maker)

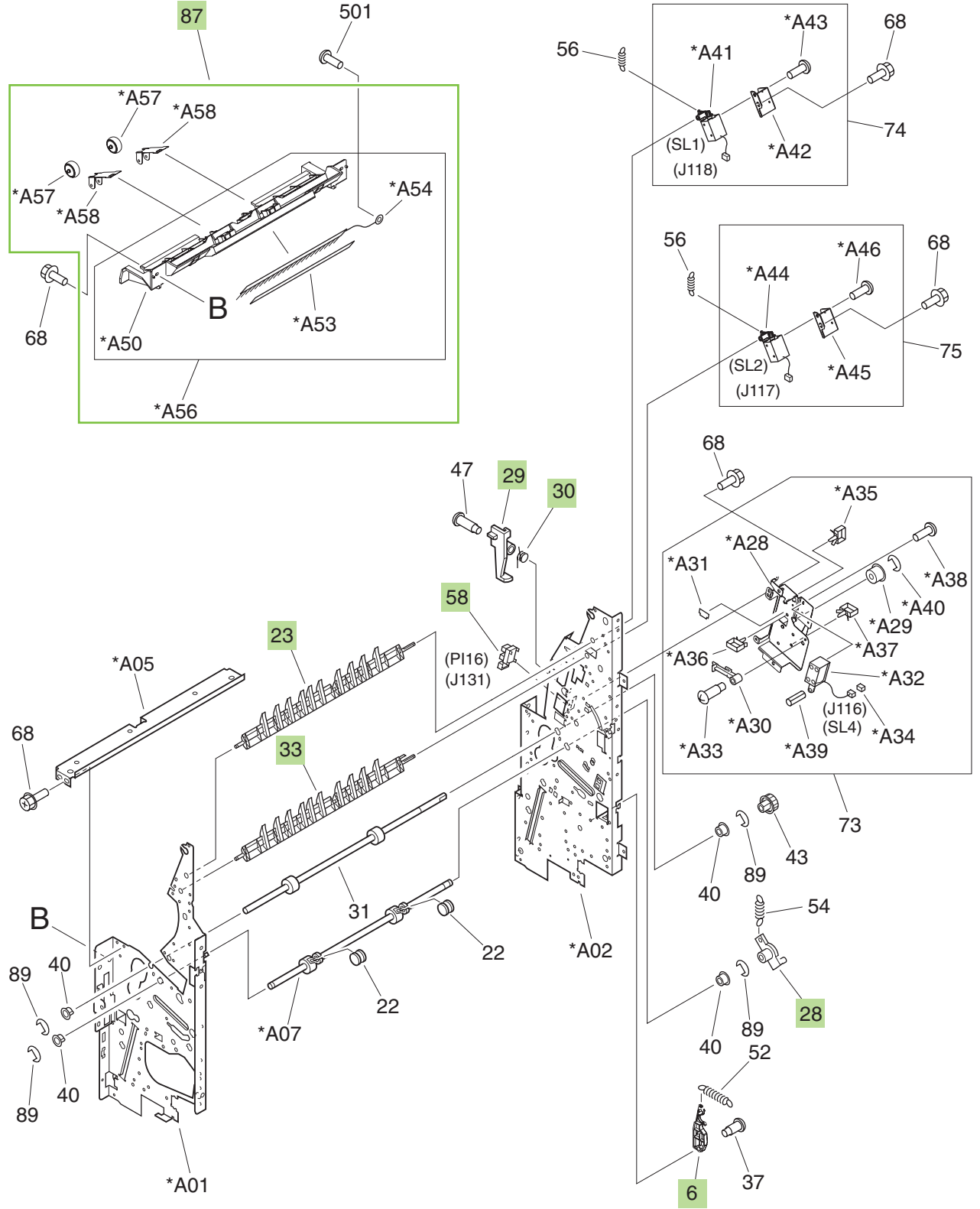


Figure 9-62 Saddle assembly (4 of 4) (booklet-maker)

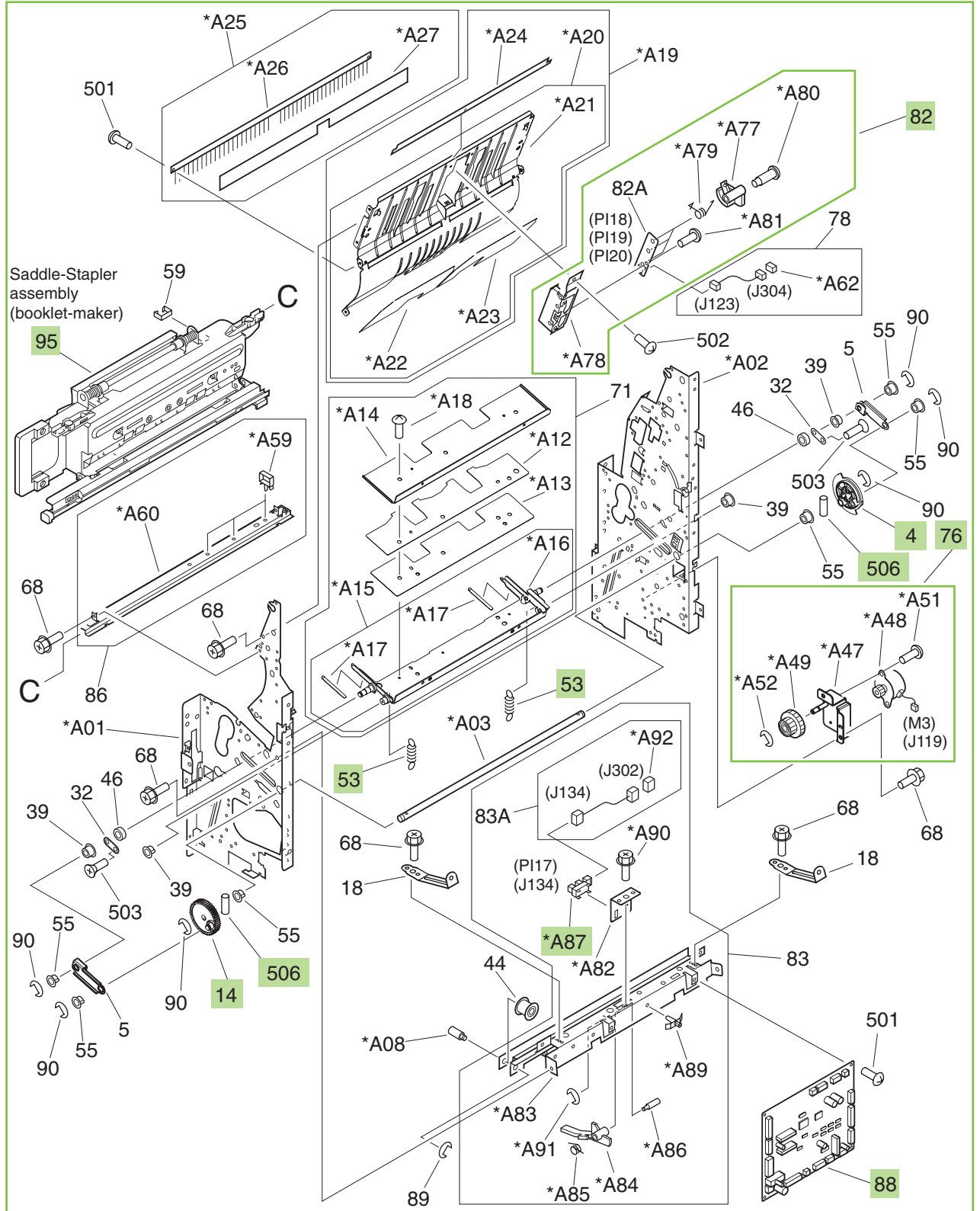


Table 9-50 Saddle assembly (booklet-maker)

Ref	Description	Part number	Qty
2	Arm, adjustment, front	4A3-1763-000CN	1
3	Arm, adjustment, rear	4A3-1764-000CN	1
4	Plate, rotation	4A3-1779-000CN	1
6	Lever, stopper	4A3-1782-000CN	1
7	Roller, folding	4A3-1783-000CN	2
14	Gear, 50T	4S3-0171-000CN	1
15	Bearing, ball, 6902ZZNR	4S3-1050-000CN	4
16	Spring, tension	4S3-2116-000CN	2
17	Spring, tension	4S3-2117-000CN	2
21	Flag, roller	FB3-7925-030CN	1
23	Deflector	FB3-7928-020CN	1
24	Rack, rear	FB3-7934-000CN	1
27	Rack, front	FB3-7967-000CN	1
28	Holder, roller, 2	FB3-7973-000CN	1
29	Flag, sensor	FB3-7979-000CN	1
30	Spring, torsion	FB3-7980-000CN	1
33	Deflector	FB5-2697-000CN	1
34	Flag, sensor	FB5-5937-020CN	1
35	Claw, latch, right	FC5-5021-000CN	1
41	Pulley, 30T	FS5-3576-000CN	1
42	Pulley, 39T	FS5-3577-000CN	1
48	Gear, 16T/33T	FS6-0822-000CN	1
49	Gear, 16T	FS6-0823-000CN	1
50	Gear, 16T/56T	FS6-0829-000CN	1
51	Gear, 16T	FS6-0830-000CN	1
53	Spring, tension	FS6-2582-000CN	2
58	Photo interrupter, TLP1242	WG8-5593-000CN	6
69	Belt, timing	XF2-3837-340CN	1
70	Cable, saddle-unit	4G1-2283-000CN	1
76	Guide-motor assembly	4G3-0725-000CN	1
77	Plate, tension	FF5-5805-040	1
82	Rear-end sensor assembly	FM2-0763-000CN	1
84	Delivery-switch mount assembly	FM2-1639-000CN	1
87	Upper delivery-guide assembly	RM1-4131-000CN	1

Table 9-50 Saddle assembly (booklet-maker) (continued)

Ref	Description	Part number	Qty
88	Saddle-controller PCA assembly	RM1-4140-000CN	1
91	Saddle paper-delivery assembly	RM1-4130-000CN	1
92	Motor-mount assembly	4G3-0670-000CN	1
93	Saddle-guide assembly	FM2-0756-000CN	1
94	Inner side-plate assembly	4G3-0671-000CN	1
95	Saddle-stapler assembly	RM1-4178-000CN	1
505	Ring, C, external	XD2-3100-152CN	4
506	Pin, dowel	XD3-2300-202CN	2
A61	Photo interrupter, TLP1242	WG8-5593-000CN	1
A87	Photo interrupter, TLP1242	WG8-5593-000CN	1
A94	Photo interrupter, TLP1242	WG8-5593-000CN	1

 **NOTE:** Only highlighted parts are orderable.

Figure 9-63 Saddle-tray assembly (booklet-maker)

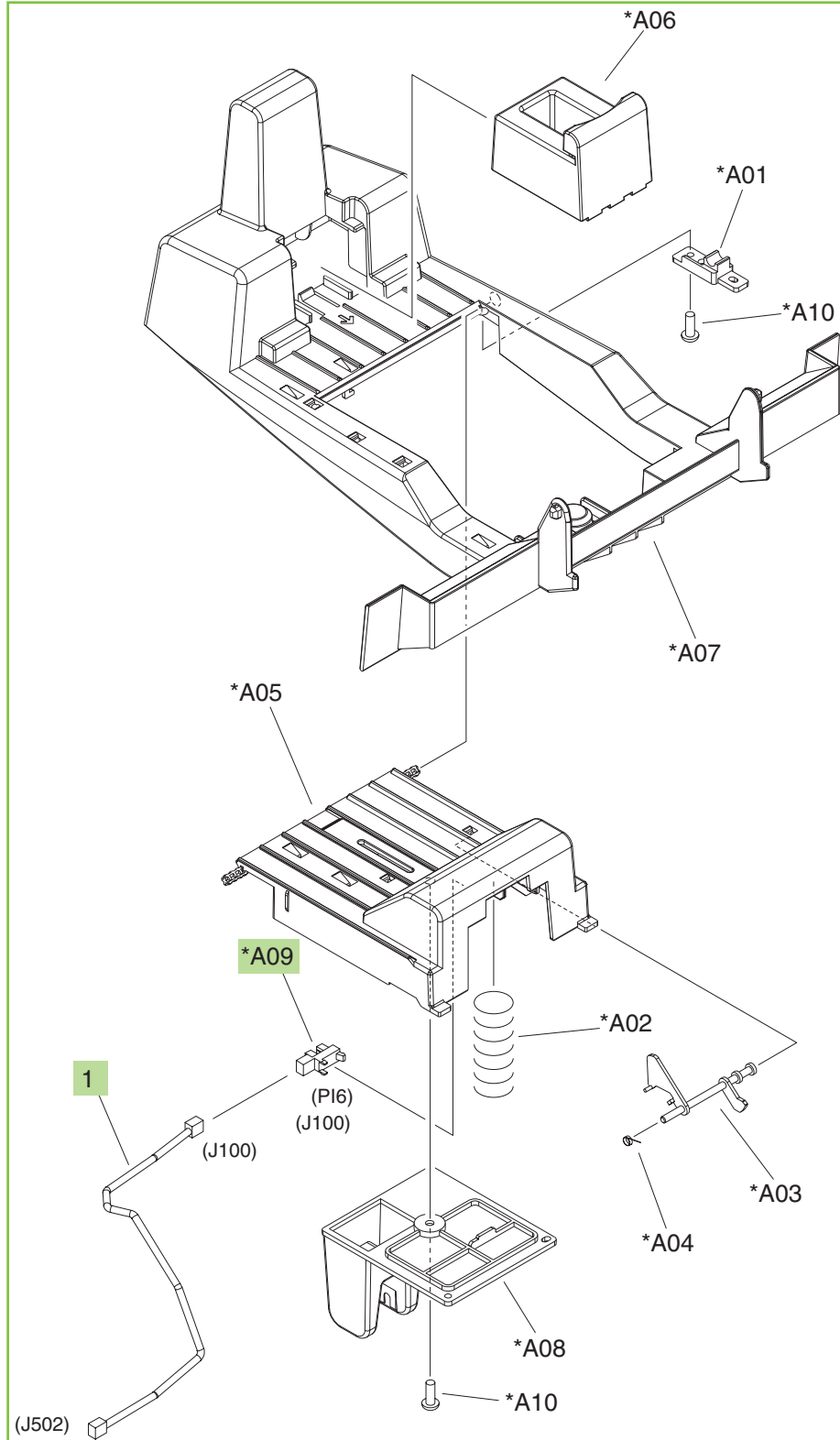


Table 9-51 Saddle-tray assembly (booklet-maker)

Ref	Description	Part number	Qty
All	Booklet-output bin (saddle-tray assembly)	RM1-4113-000CN	1
1	Cable, sensor	4G1-2285-000CN	1
A09	Photo interrupter, TLP1242	WG8-5593-000CN	1

 **NOTE:** Only highlighted parts are orderable.

Figure 9-64 Saddle-guide assembly (booklet-maker)

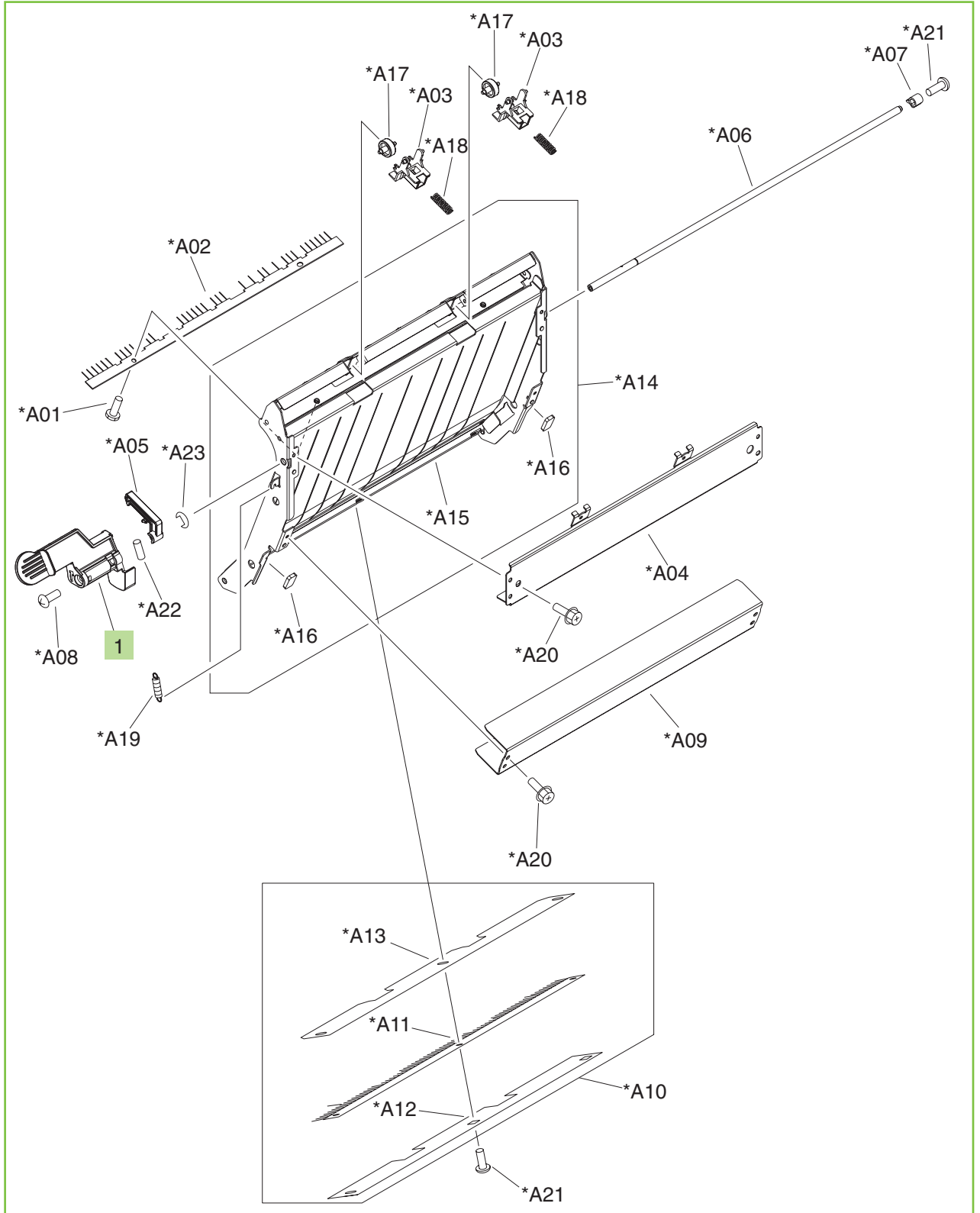


Table 9-52 Saddle-guide assembly (booklet-maker)

Ref	Description	Part number	Qty
All	Saddle-guide assembly	FM2-5024-000CN	1
1	Knob, latch	FC5-5024-000CN	1

 **NOTE:** Only highlighted parts are orderable.

Figure 9-65 Saddle-stapler assembly (booklet-maker)

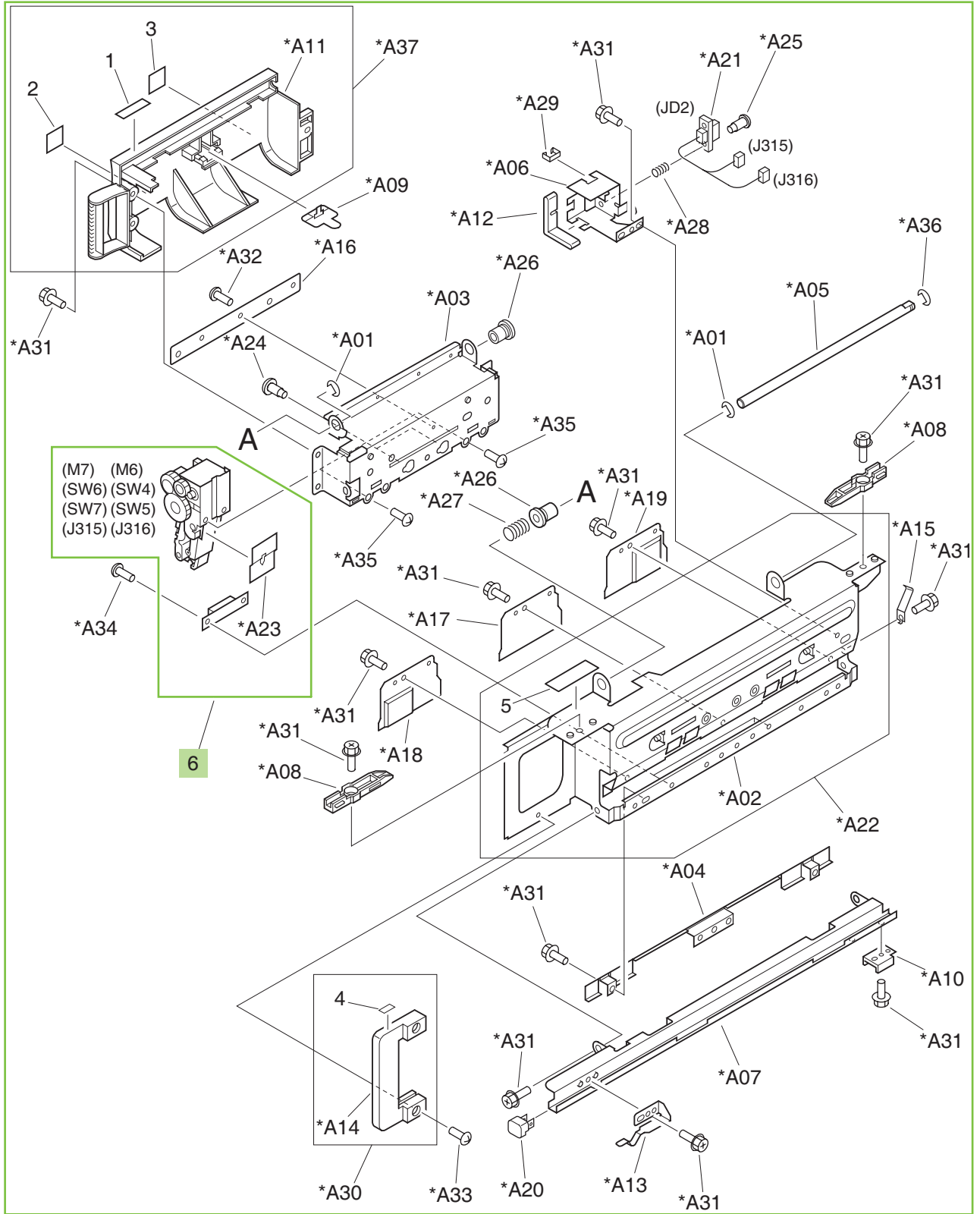


Table 9-53 Saddle-stapler assembly (booklet-maker)

Ref	Description	Part number	Qty
All	Saddle-stapler assembly	RM1-4178-000CN	1
6	Stapler unit	FL2-0846-000CN	2
	5000-staple replacement cartridge	C8091-67901	1
	2000-staple cartridge (for booklet making)	CC383-67901	1


 **NOTE:** Only highlighted parts are orderable.

Figure 9-66 Saddle paper-feeder assembly (stapler/stacker)

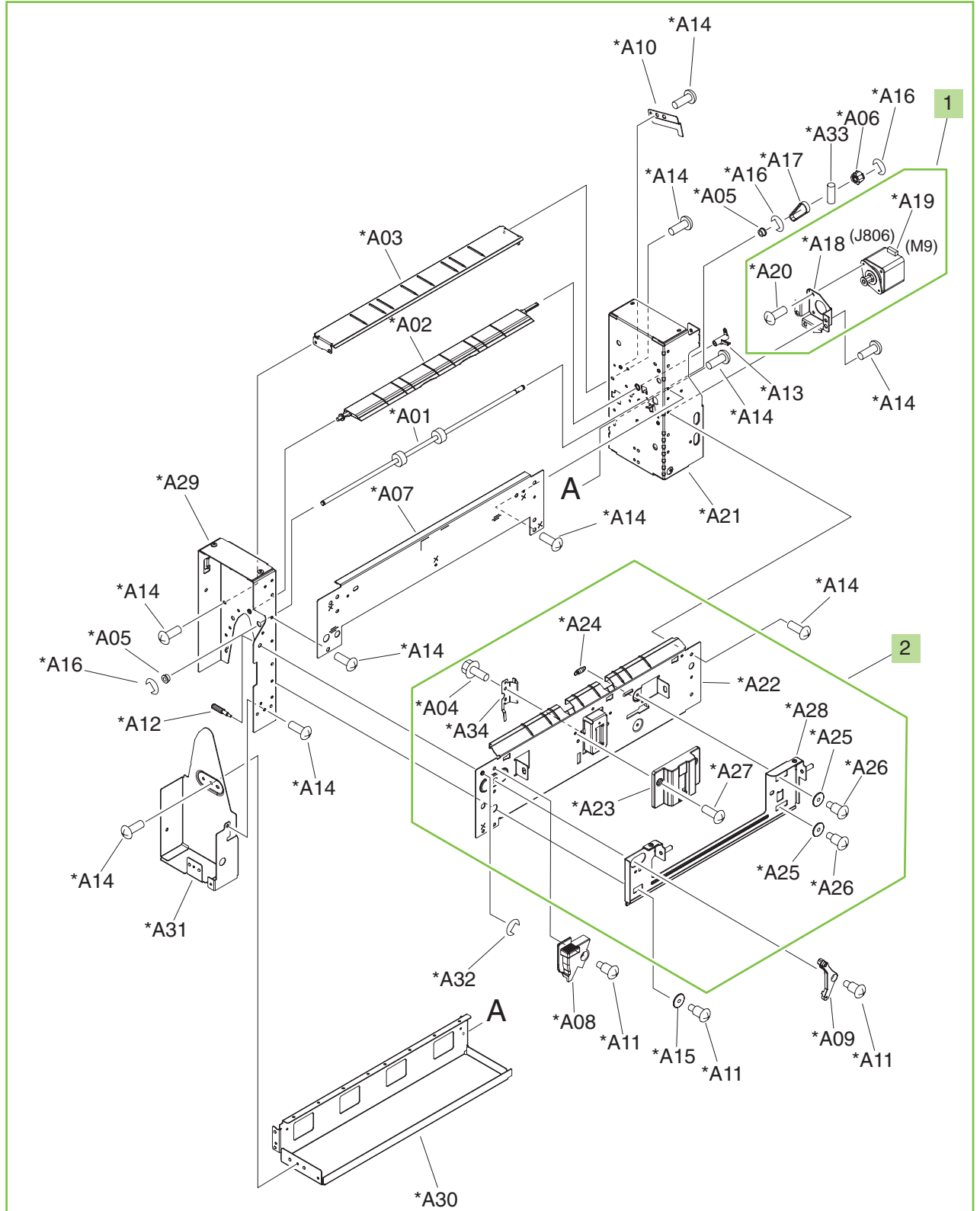


Table 9-54 Saddle paper-feeder assembly (stapler/stacker)

Ref	Description	Part number	Qty
All	Saddle paper-feeder assembly	RM1-4136-000CN	1
1	Saddle-motor assembly	FM2-0737-000CN	1
2	Entrance lower-guide assembly	RM1-4110-000CN	1

 **NOTE:** Only highlighted parts are orderable.

Figure 9-67 Saddle paper-feeder assembly (booklet-maker)

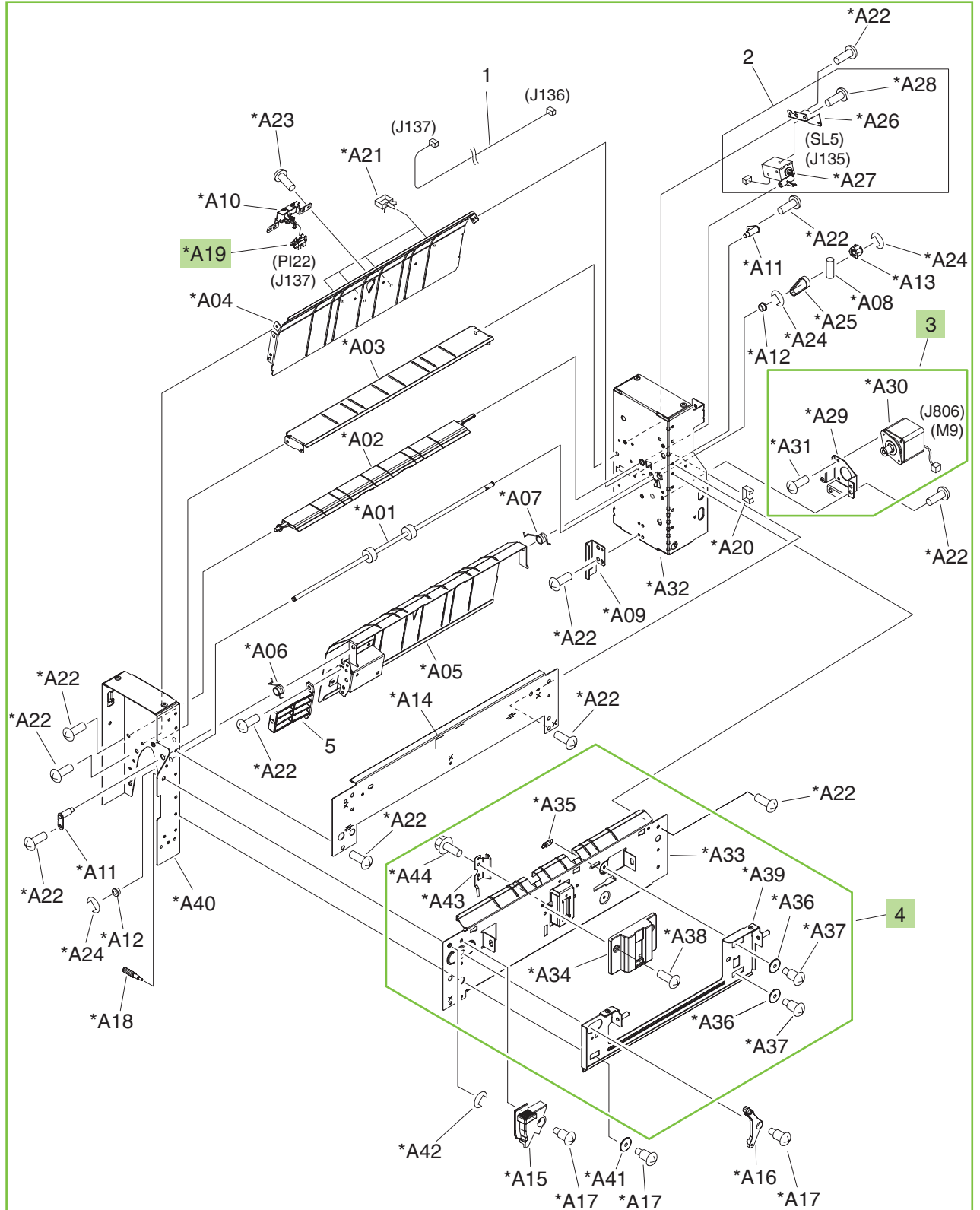


Table 9-55 Saddle paper-feeder assembly (booklet-maker)

Ref	Description	Part number	Qty
All	Saddle paper-feeder assembly	RM1-4109-000CN	1
3	Saddle-motor assembly	FM2-0737-000CN	1
4	Entrance lower-guide assembly	RM1-4110-000CN	1
A19	Photo interrupter, TLP1242	WG8-5593-000CN	1


 **NOTE:** Only highlighted parts are orderable.

Figure 9-68 Pass lower-guide assembly (booklet-maker)

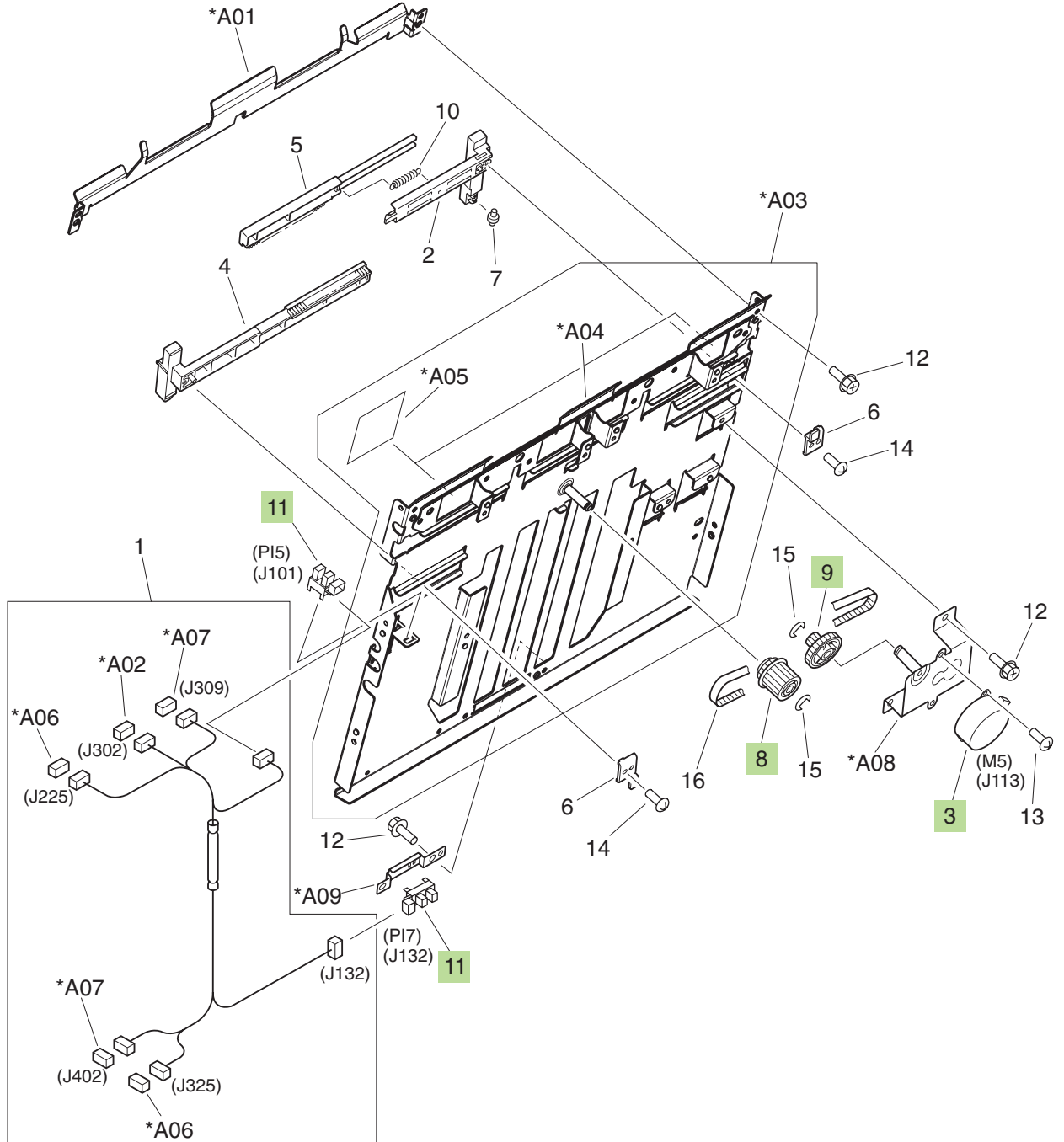


Table 9-56 Pass lower-guide assembly (booklet-maker)

Ref	Description	Part number	Qty
3	Motor, stepping	4K1-1103-000CN	1
8	Pulley, 32T/gear, 16T	FS6-0814-000CN	1
9	Pulley, 16T/gear, 32T	FS6-0815-000CN	1
11	Photo interrupter, TLP1242	WG8-5593-000CN	2

 **NOTE:** Only highlighted parts are orderable.

Figure 9-69 Inner side-plate assembly (booklet-maker)

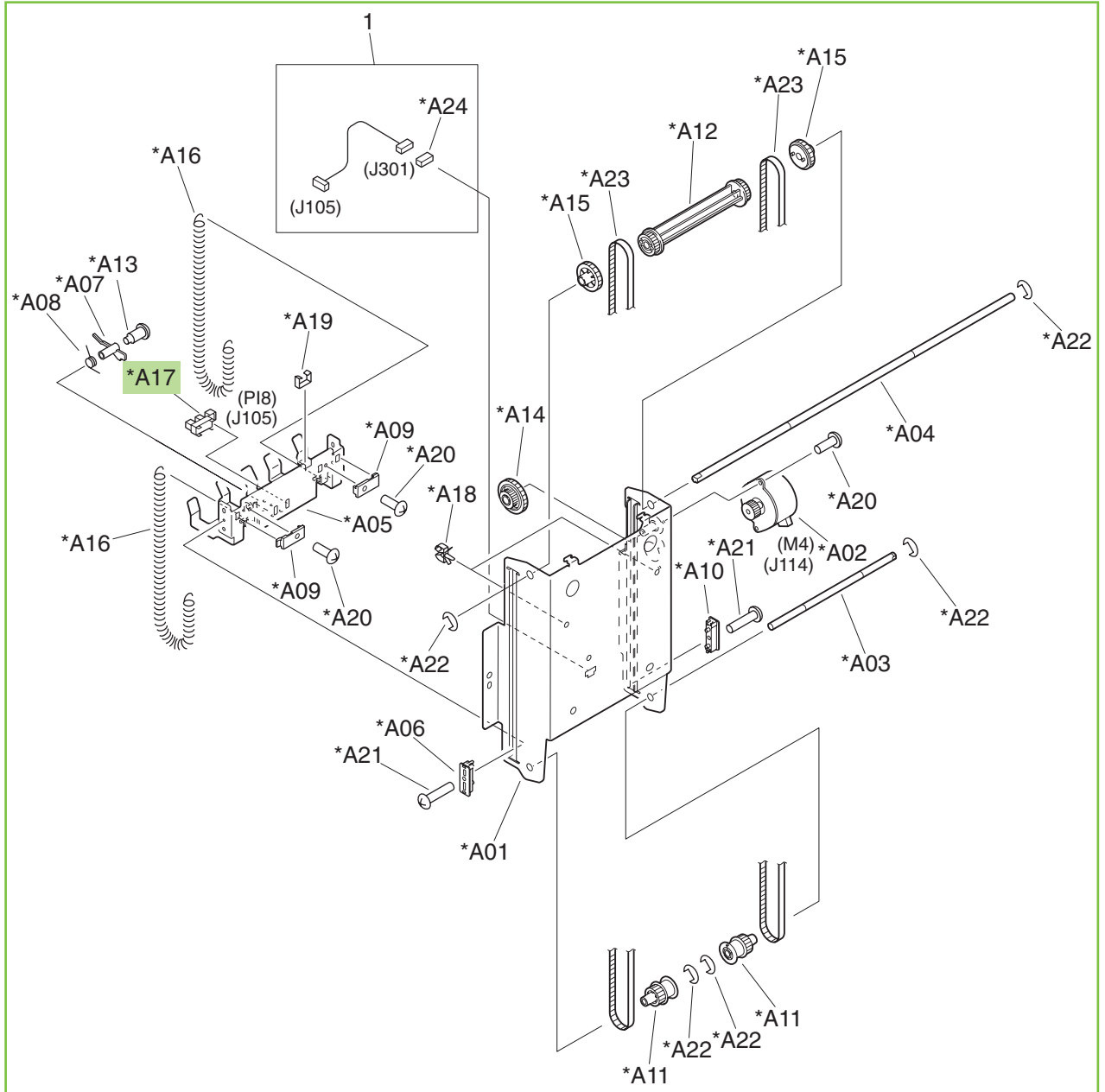


Table 9-57 Inner side-plate assembly (booklet-maker)

Ref	Description	Part number	Qty
All	Inner side-plate assembly	4G3-0671-000CN	1
A17	Photo interrupter, TLP1242	WG8-5593-000CN	1

 **NOTE:** Only highlighted parts are orderable.

Figure 9-70 Saddle paper-delivery assembly (booklet-maker)

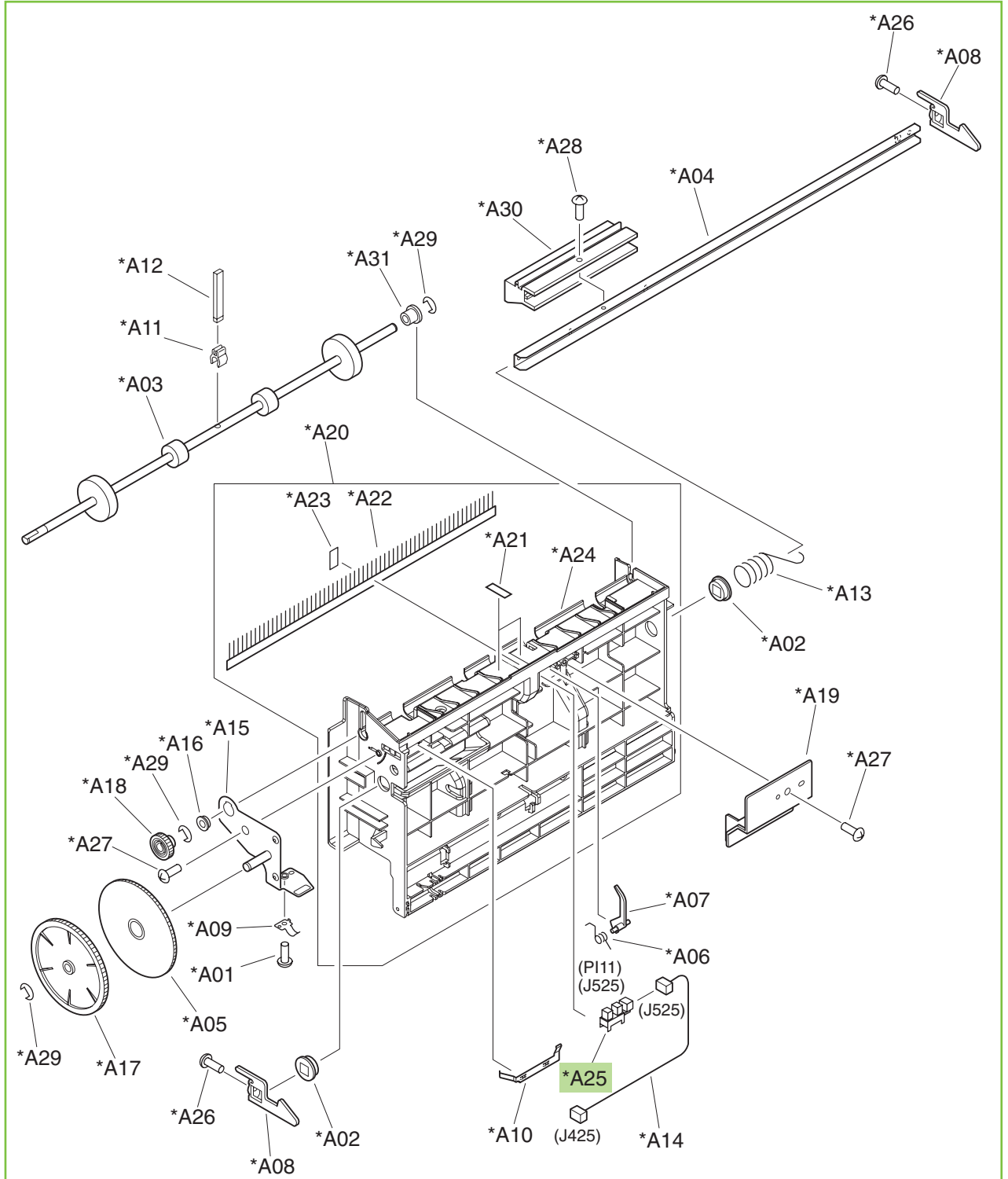


Table 9-58 Saddle paper-delivery assembly (booklet-maker)

Ref	Description	Part number	Qty
All	Saddle paper-delivery assembly	RM1-4130-000CN	1
A25	Photo interrupter, TLP1242	WG8-5593-000CN	1

 **NOTE:** Only highlighted parts are orderable.

Figure 9-71 Motor-mount assembly (booklet-maker)

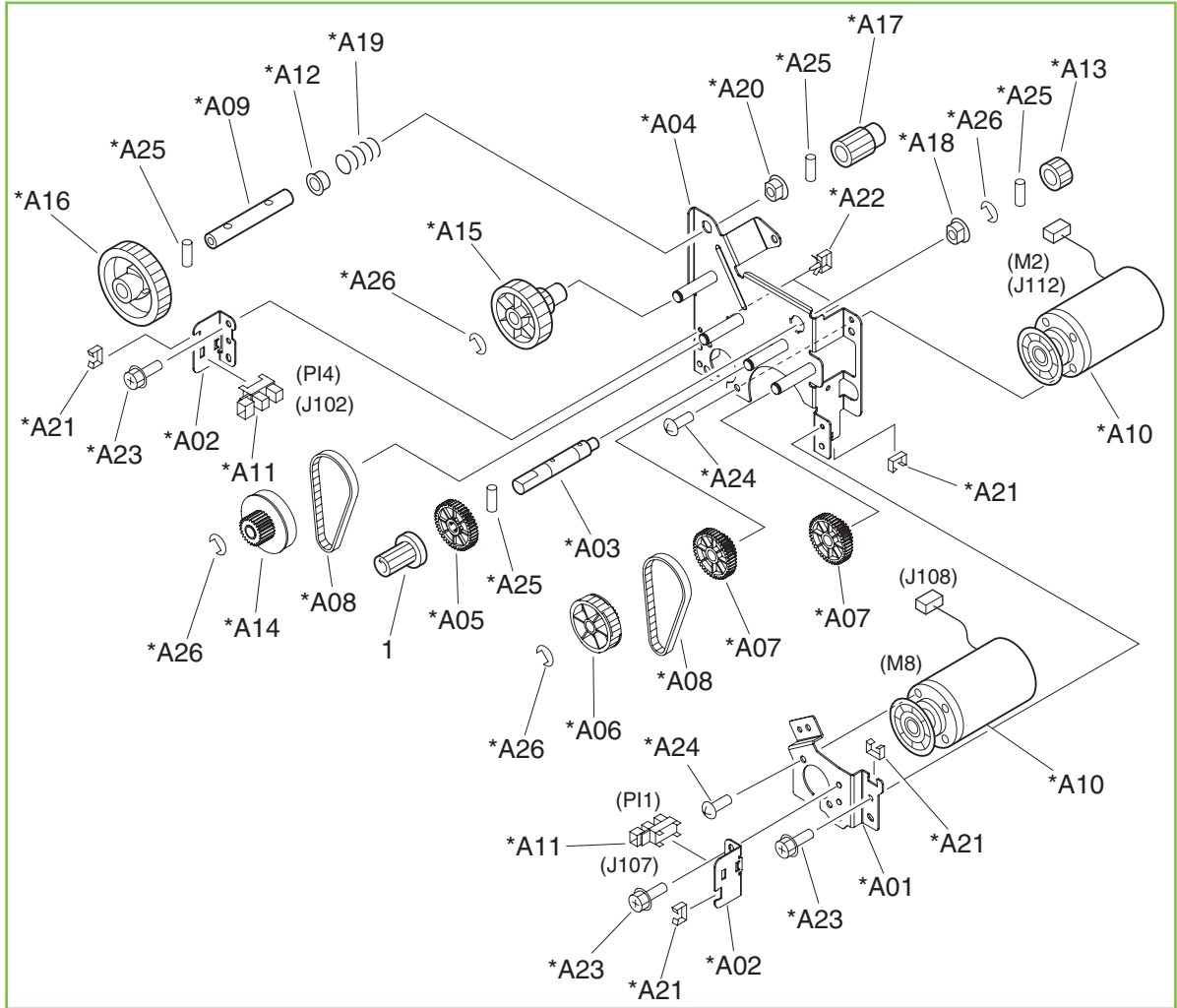


Table 9-59 Motor-mount assembly (booklet-maker)

Ref	Description	Part number	Qty
All	Motor-mount assembly	4G3-0670-000CN	1

 **NOTE:** Only highlighted parts are orderable.

Figure 9-72 PCA assembly

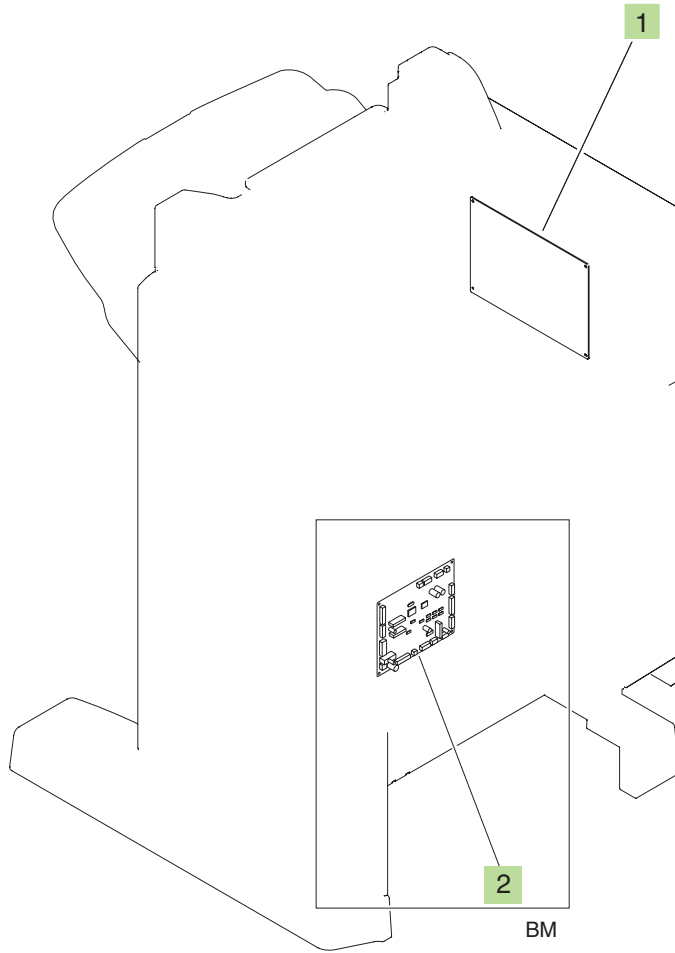


Table 9-60 PCA assembly

Ref	Description	Part number	Qty
1	Main controller PCA assembly (stapler/stacker and booklet-maker)	RM1-4139-000CN	1
2	Saddle-controller PCA assembly (booklet-maker)	RM1-4140-000CN	1

 **NOTE:** Only highlighted parts are orderable.

Automatic document-feeder (ADF)

Automatic document feeder (ADF) assemblies

Figure 9-73 ADF unit

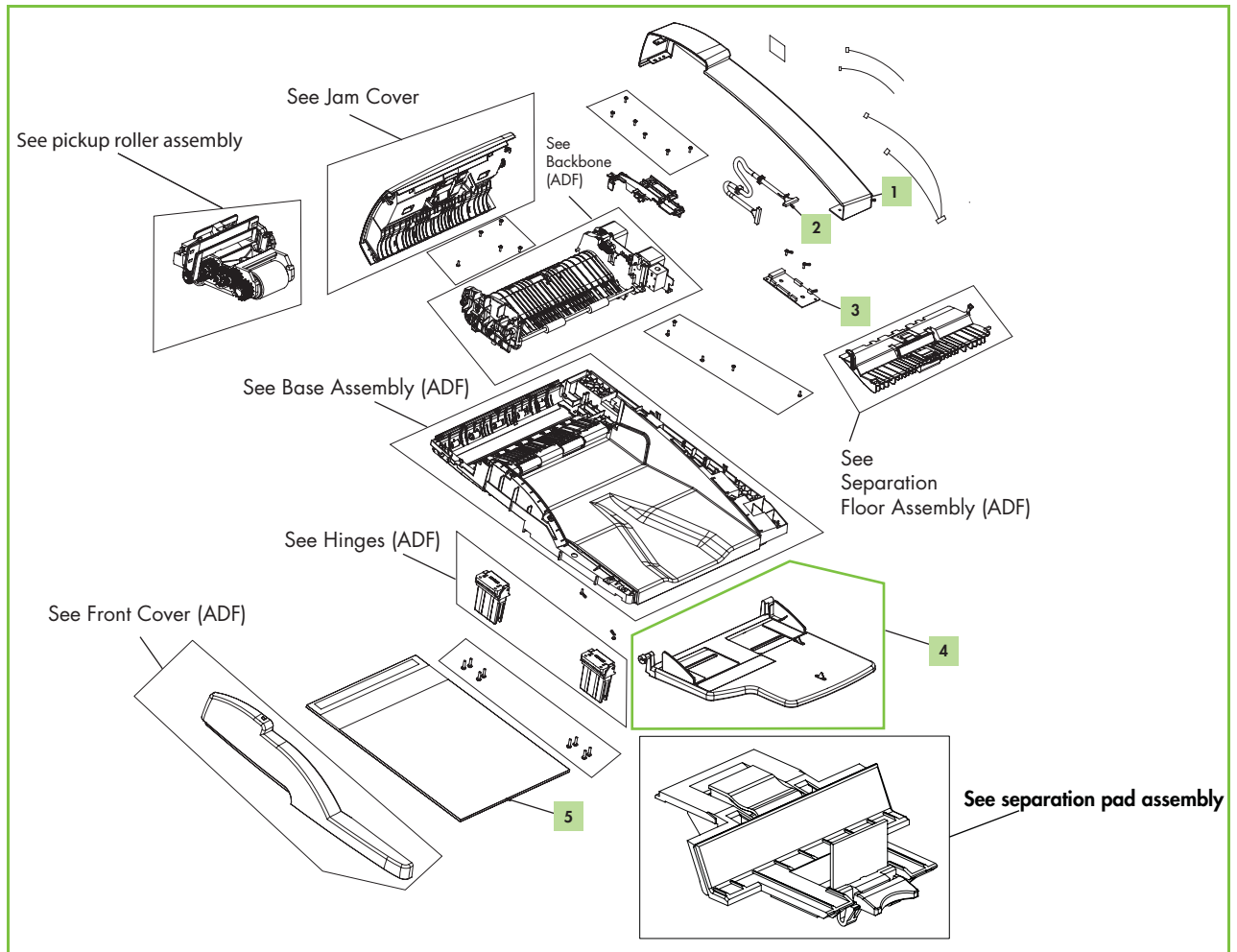


Table 9-61 ADF unit

Ref	Description	Part number	Qty
All	Automatic document feeder (ADF) whole unit	Q3938-67943	1
1	End cover (cap) back	Q3938-67945	1
2	Cable, ADF to scanner	Q3938-67948	1
3	PCA motor assembly	Q7829-67903	1
4	Tray-input assembly	Q3938-67950	1
5	Reflector foam (white backing)	Q7829-67909	1
Not shown	Flag sensor LS	Q3938-67951	1
Not shown	Photo interrupter with connector	Q7829-67914	1
Not shown	Maintenance kit	Q3938-67944	1

 **NOTE:** Only highlighted parts are orderable.

Figure 9-74 Front-end cover

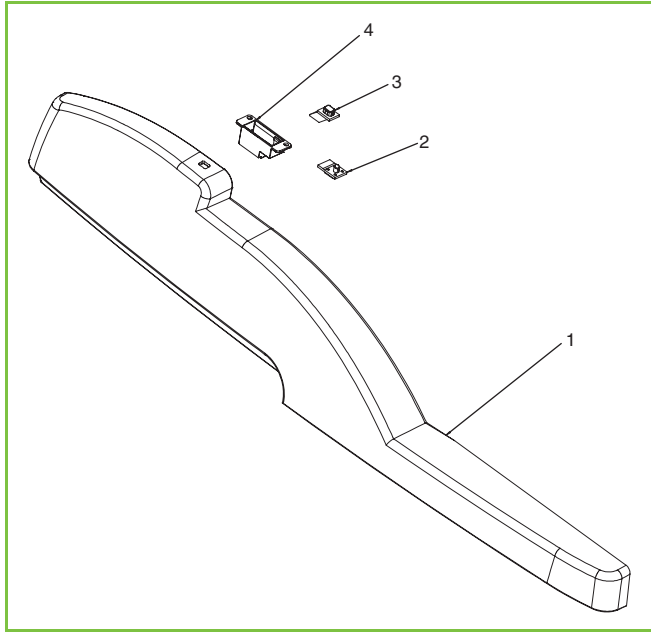


Table 9-62 Front-end cover

Ref	Description	Part number	Qty
All	End cover (cap) front assembly	Q3938-67946	1

 **NOTE:** Only highlighted parts are orderable.

Figure 9-75 Hinge assembly

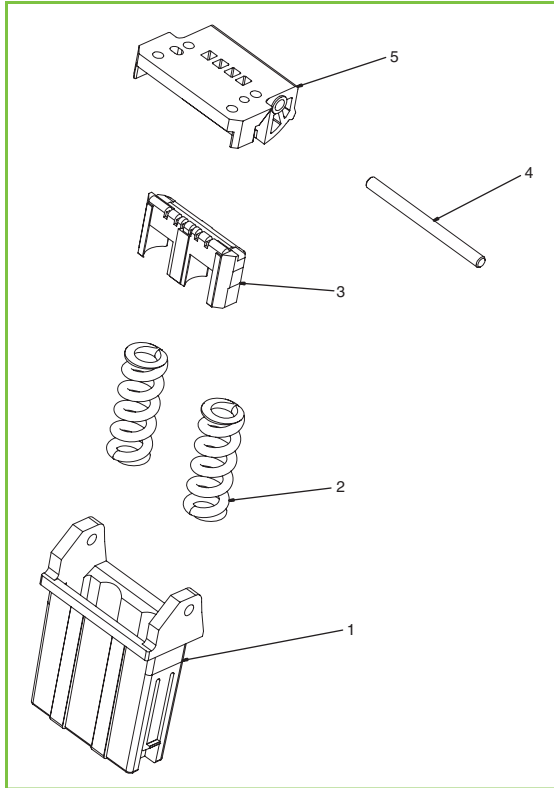
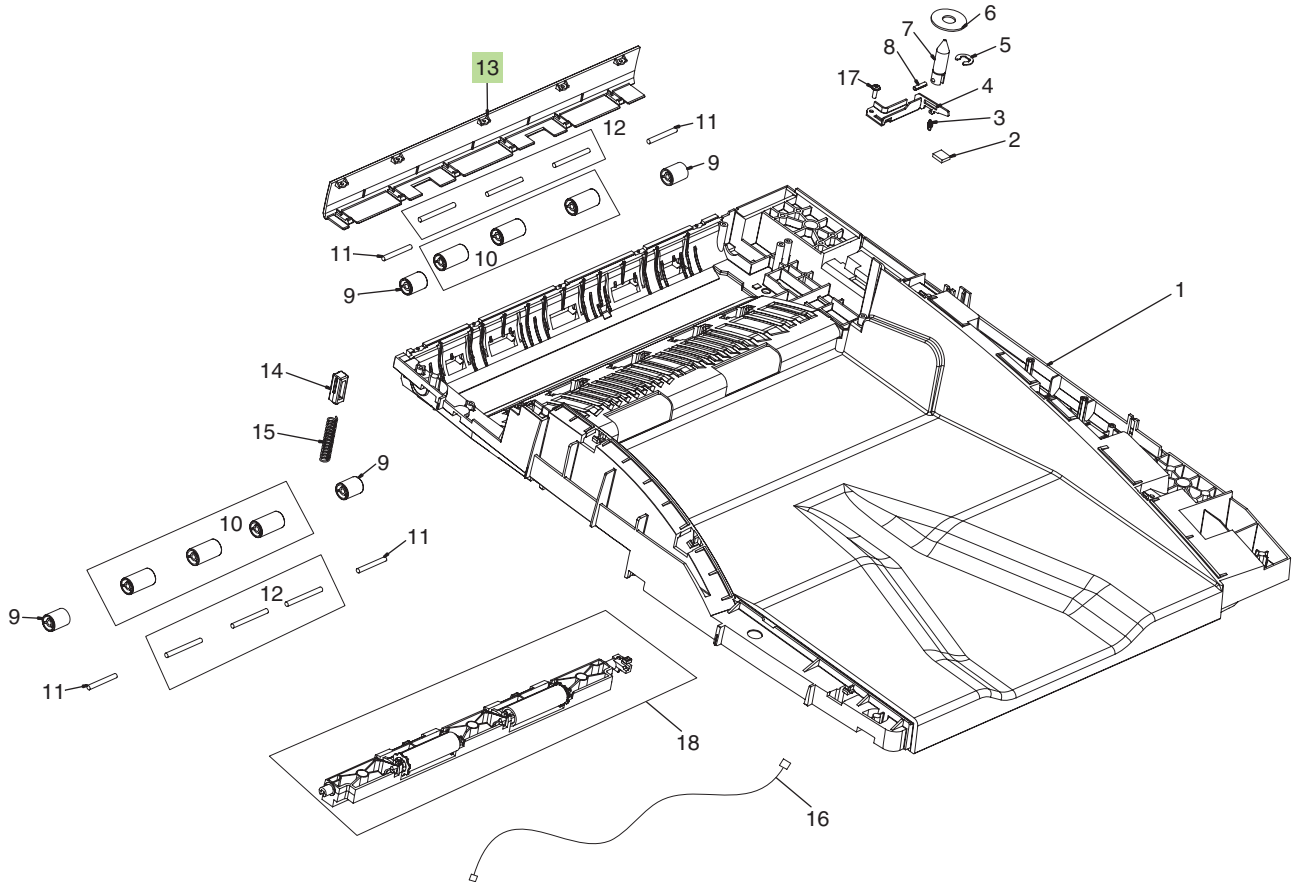


Table 9-63 Hinge assembly

Ref	Description	Part number	Qty
All	Hinge assembly	Q3938-67952	1 (Order 2)

 **NOTE:** Only highlighted parts are orderable.

Figure 9-76 Base assembly



 **NOTE:** Only highlighted parts are orderable.

NOTE: To order components other than the left cover for this assembly, you must order a replacement ADF unit (Q3938-67943).

Figure 9-77 Backbone assembly

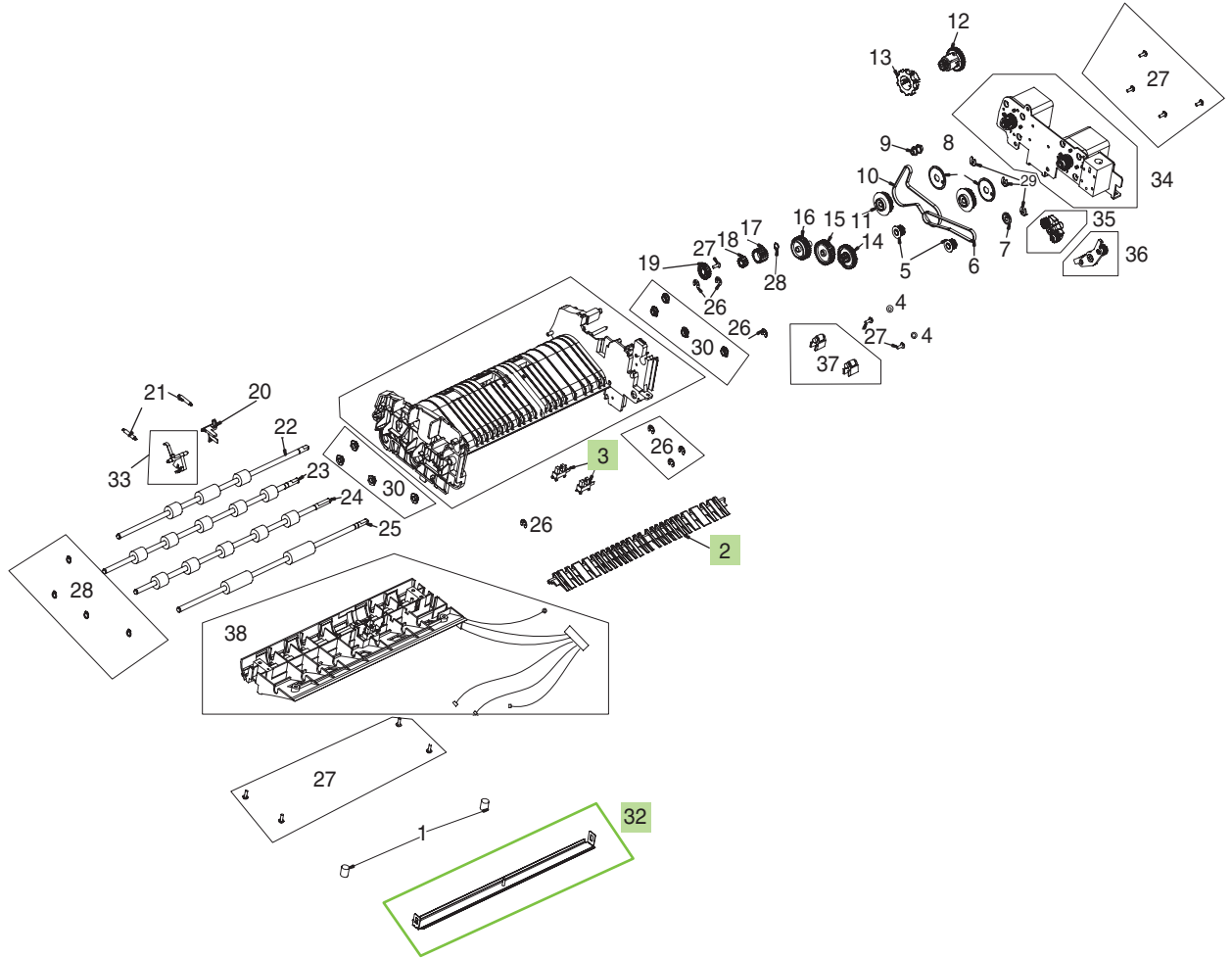


Table 9-64 Backbone assembly

Ref	Description	Part number	Qty
2	Diverter	Q3938-67953	1
3	Photo interrupter with connector	Q7829-67914	1
32	Float assembly	Q7829-67917	1

 **NOTE:** Only highlighted parts are orderable.

Figure 9-78 Jam-cover assembly

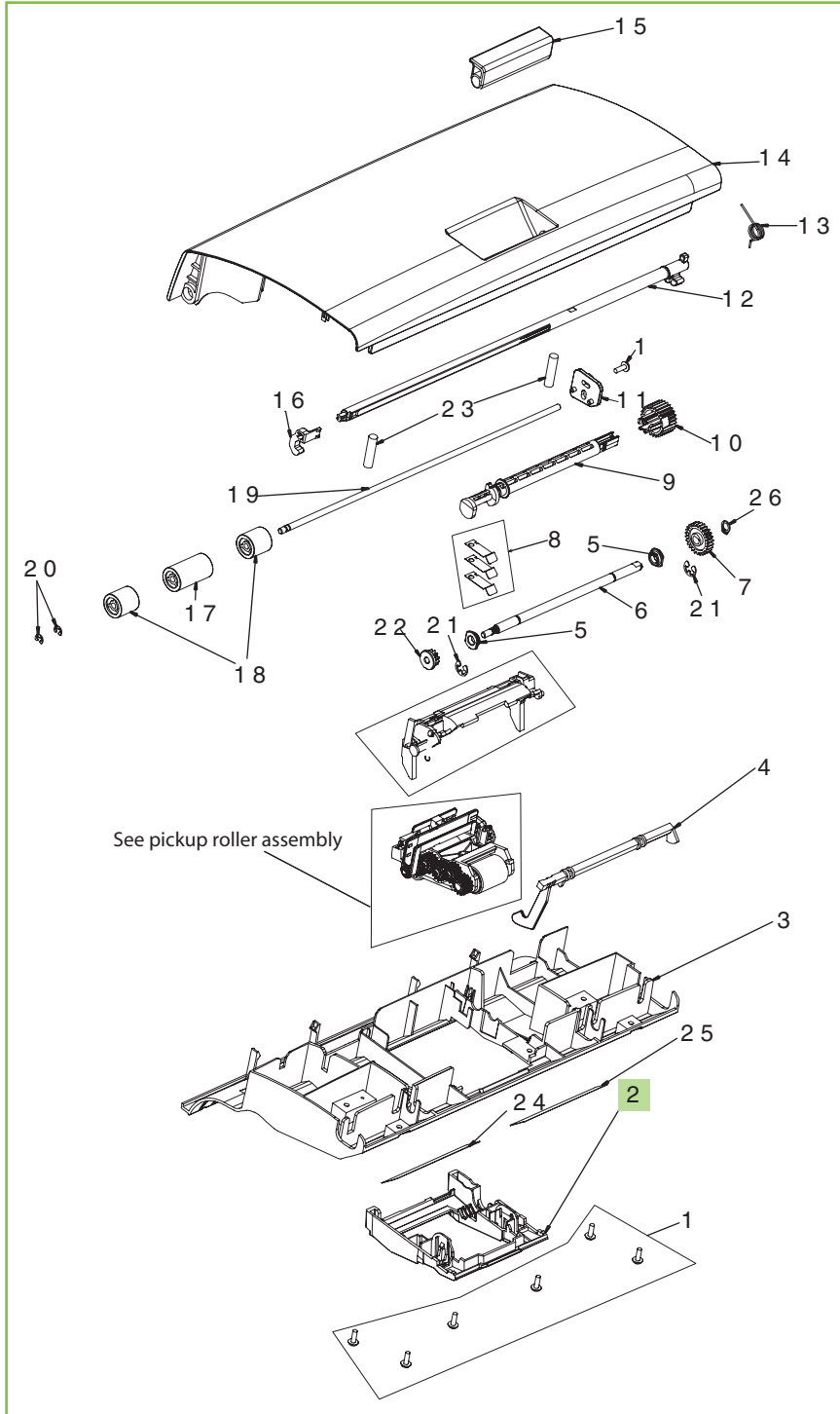


Table 9-65 Jam-cover assembly

Ref	Description	Part number	Qty
All	Jam-cover assembly	Q3938-67970	1
2	Cover pick roller	Q3938-67954	1

 **NOTE:** Only highlighted parts are orderable.

Figure 9-79 Pickup-roller assembly

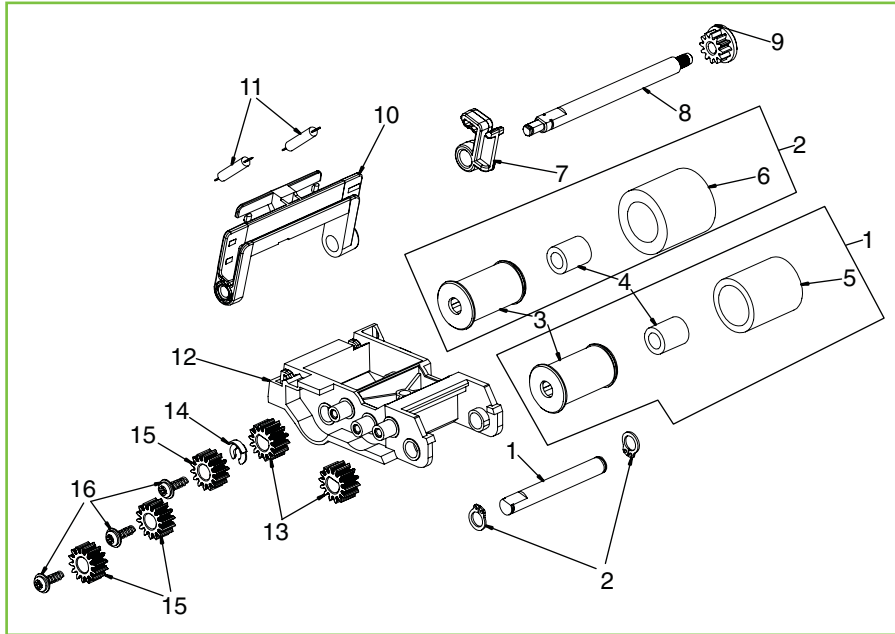


Table 9-66 Pickup-roller assembly

Ref	Description	Part number	Qty
All	Cover pick roller (part of the ADF maintenance kit)	Q3938-67954	1

 **NOTE:** Only highlighted parts are orderable.

NOTE: The pickup roller is part of the ADF maintenance kit (which also includes the separation pad).

Figure 9-80 Separation-pad assembly

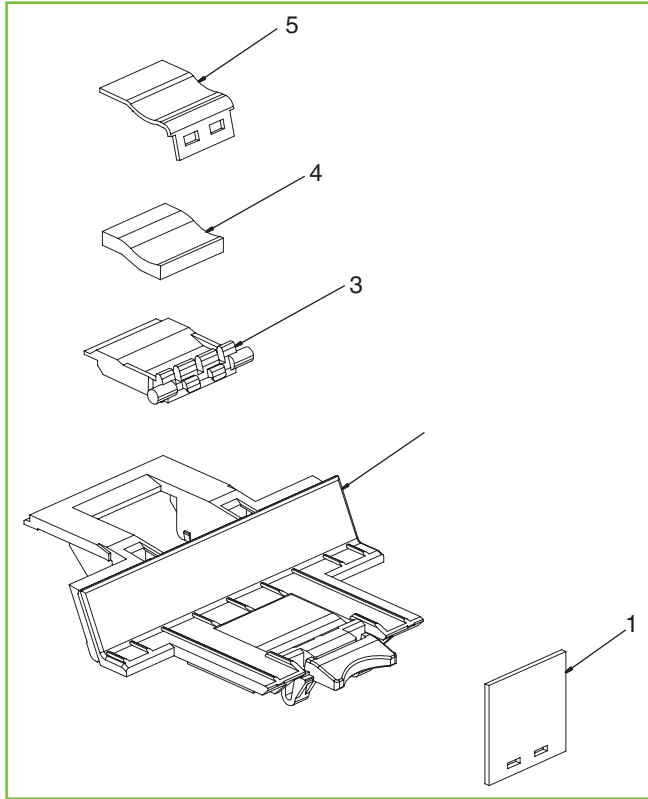


Table 9-67 Separation-pad assembly

Ref	Description	Part number	Qty
All	Separation-pad assembly (part of the ADF maintenance kit)	Q3938-67949	1

 **NOTE:** Only highlighted parts are orderable.

NOTE: The separation pad is part of the ADF maintenance kit (which also includes the pickup roller).

Figure 9-81 Separation-floor assembly

See separation pad assembly

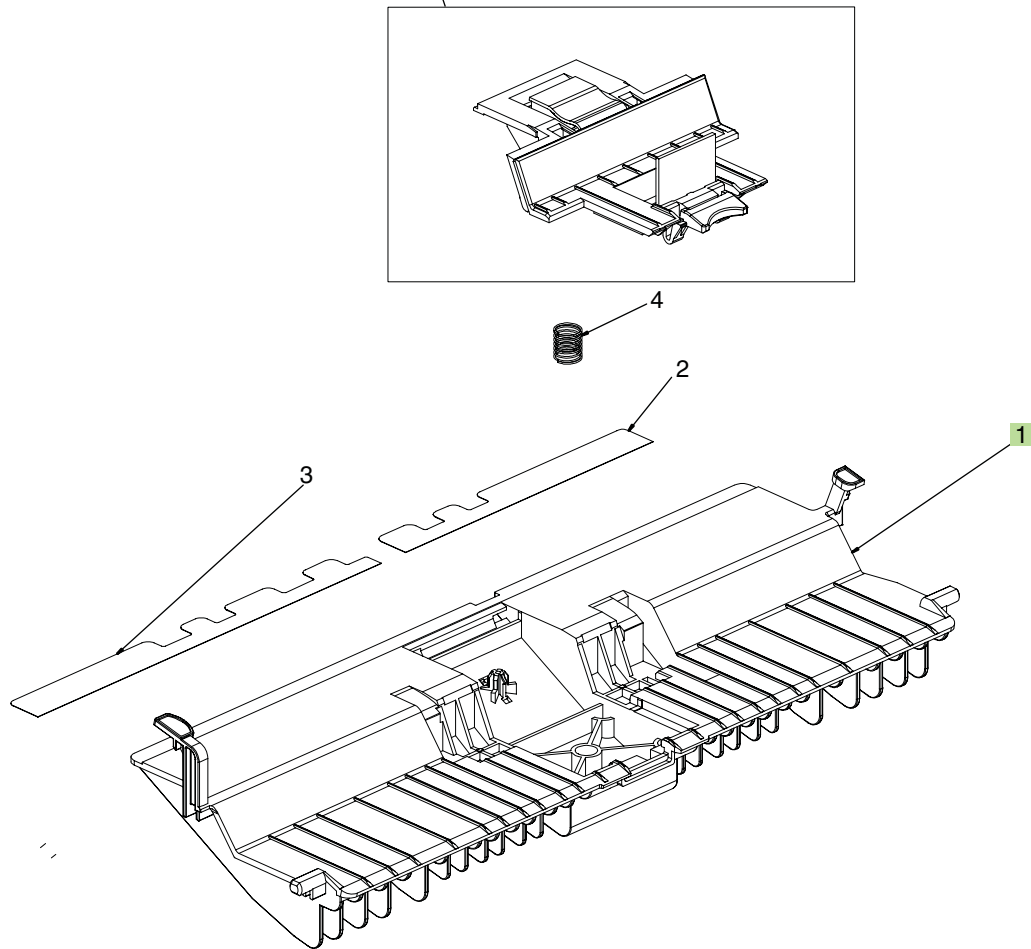


Table 9-68 Separation-floor assembly

Ref	Description	Part number	Qty
1	Separation-floor assembly	Q3938-67949	1

 **NOTE:** Only highlighted parts are orderable.

Scanner

Scanner assemblies

Figure 9-82 Scanner unit

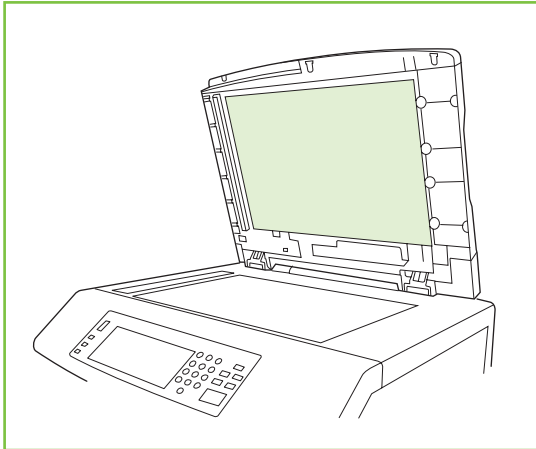


Table 9-69 Scanner unit

Ref	Description	Part number	Qty
All	Entire scanner without power supply, boards, and cable	Q3938-60132	1

 **NOTE:** Only highlighted parts are orderable.

NOTE: The automatic document feeder (ADF) is not included.

Figure 9-83 Carriage assembly

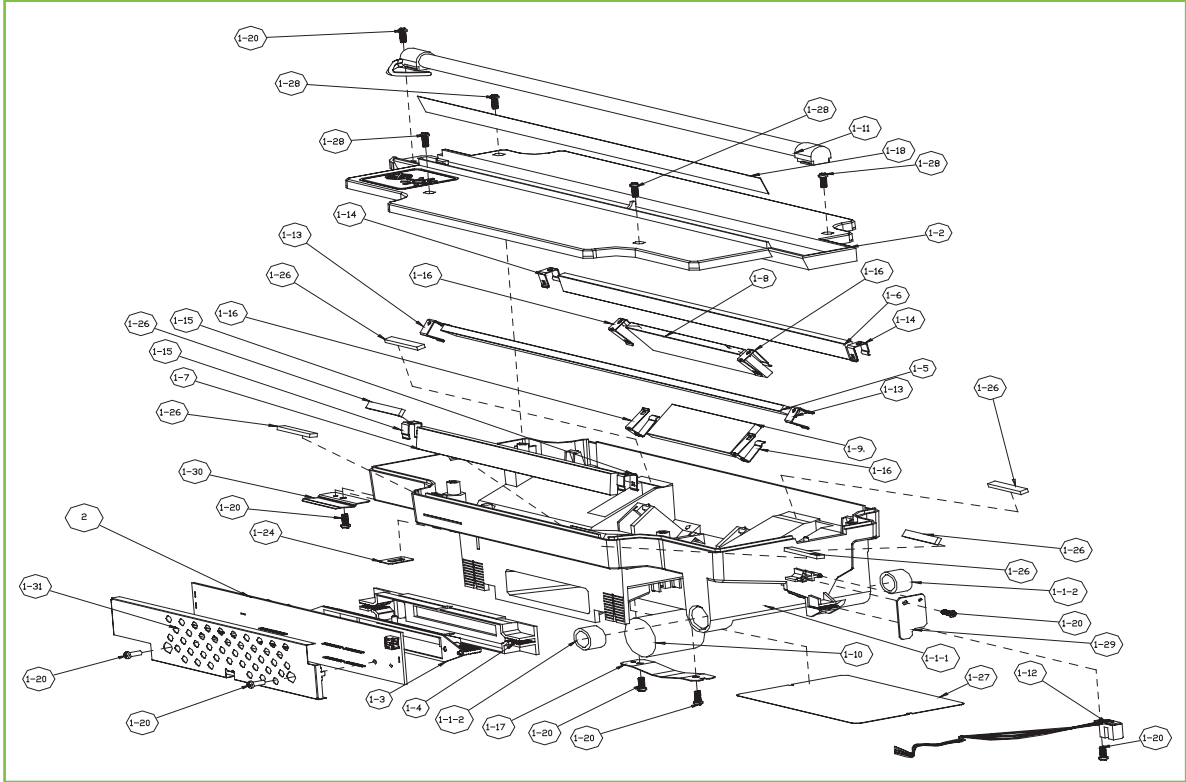


Table 9-70 Carriage assembly

Ref	Description	Part number	Qty
All	Carriage assembly	Q3938-67901	1

 **NOTE:** Only highlighted parts are orderable.

Figure 9-84 Scanner controller-board (SCB) assembly

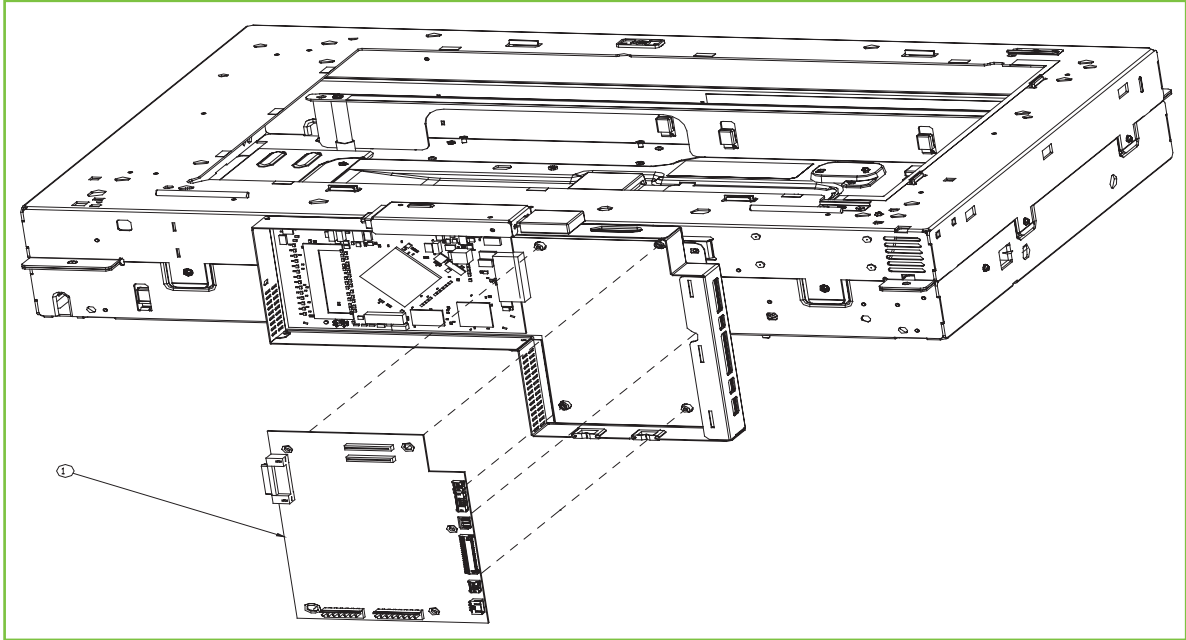


Table 9-71 Scanner controller-board (SCB) assembly

Ref	Description	Part number	Qty
All	Scanner controller-board (SCB)	Q3938-67902	1

 **NOTE:** Only highlighted parts are orderable.

Figure 9-85 Large-pin assembly

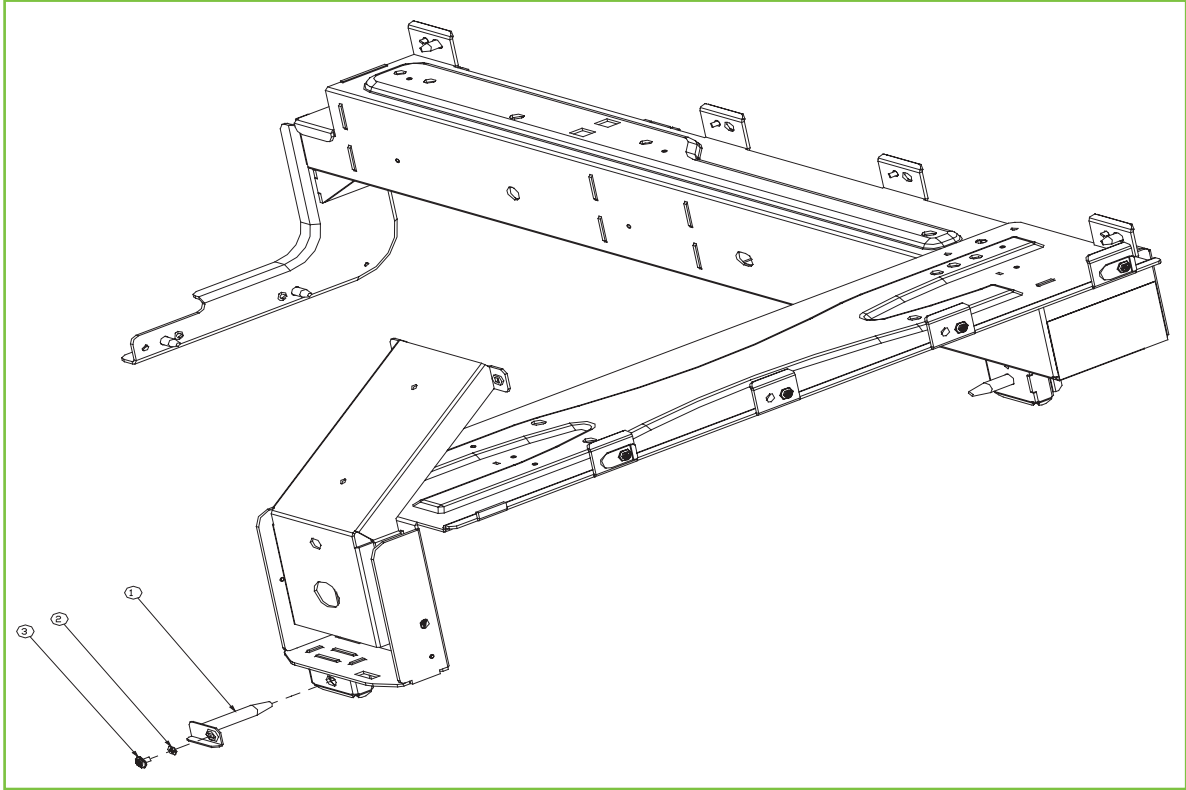


Table 9-72 Large-pin assembly

Ref	Description	Part number	Qty
All	Large-pin assembly	Q3938-67903	1

 **NOTE:** Only highlighted parts are orderable.

Figure 9-86 Small-pin assembly

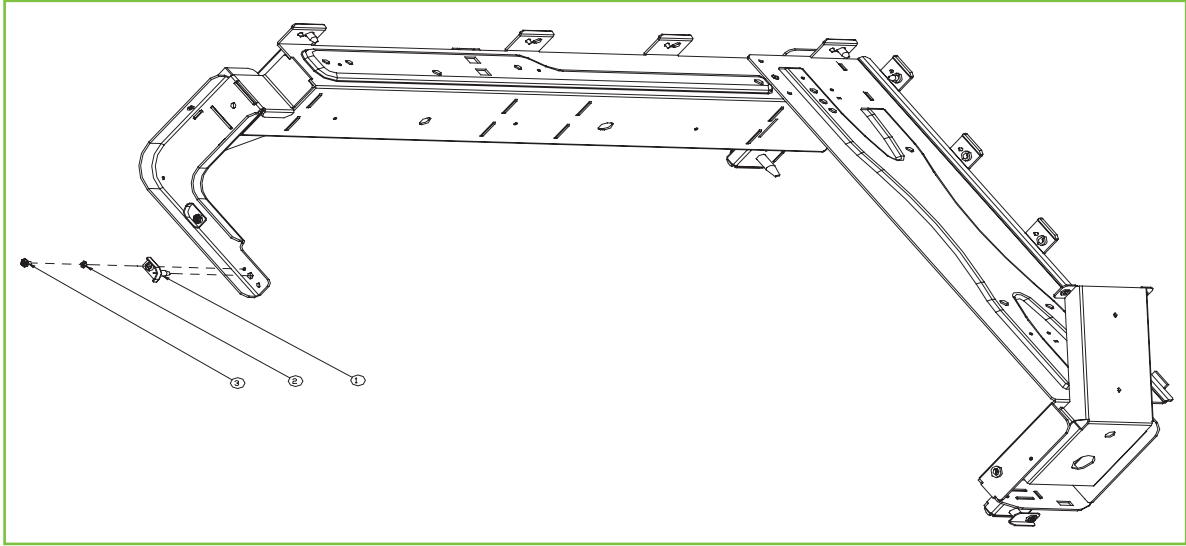


Table 9-73 Small-pin assembly

Ref	Description	Part number	Qty
All	Small-pin assembly	Q3938-67904	1

 **NOTE:** Only highlighted parts are orderable.

Figure 9-87 Inverter assembly

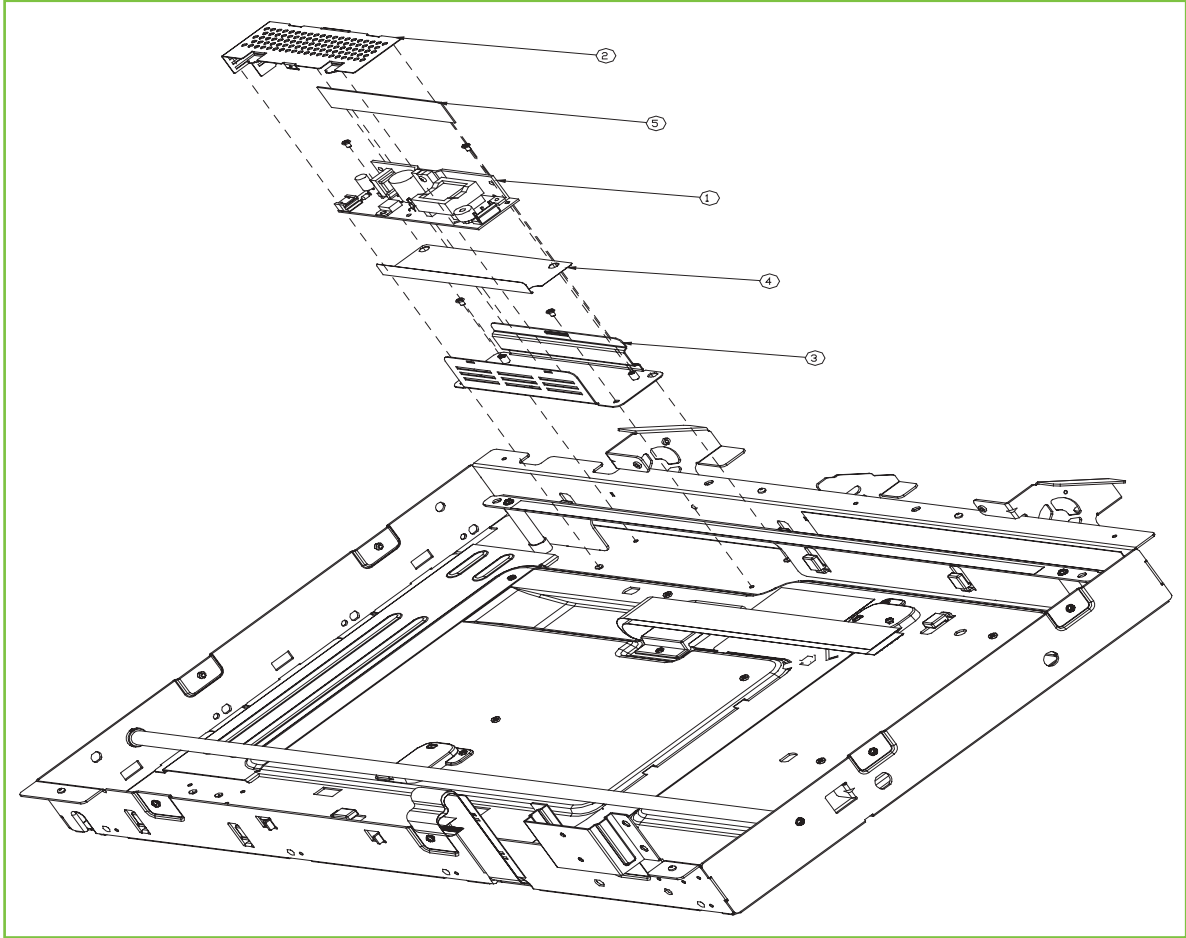


Table 9-74 Inverter assembly

Ref	Description	Part number	Qty
All	Inverter assembly	Q3938-67905	1

 **NOTE:** Only highlighted parts are orderable.

Figure 9-88 Glass assembly

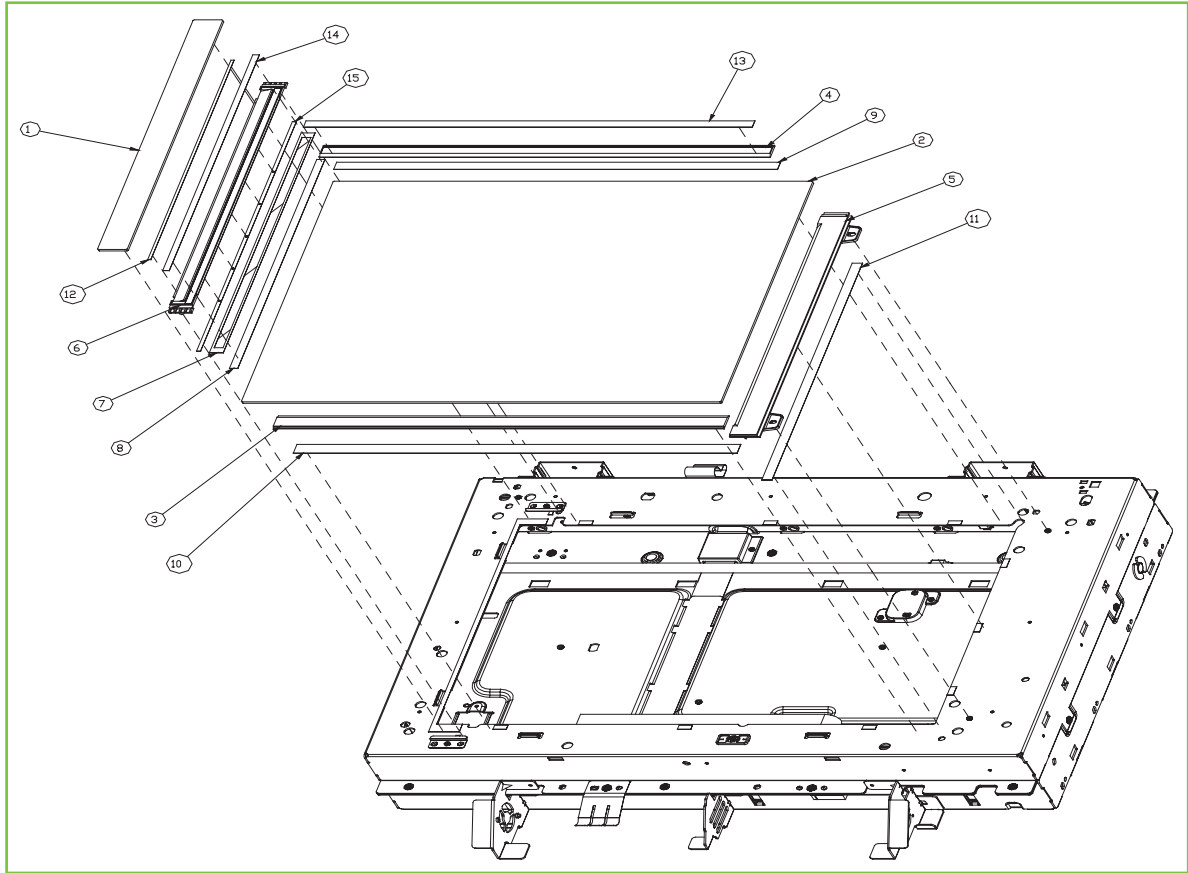


Table 9-75 Glass assembly

Ref	Description	Part number	Qty
All	Glass assembly	Q3938-67906	1

 **NOTE:** Only highlighted parts are orderable.

Figure 9-89 Lid-sensor assembly

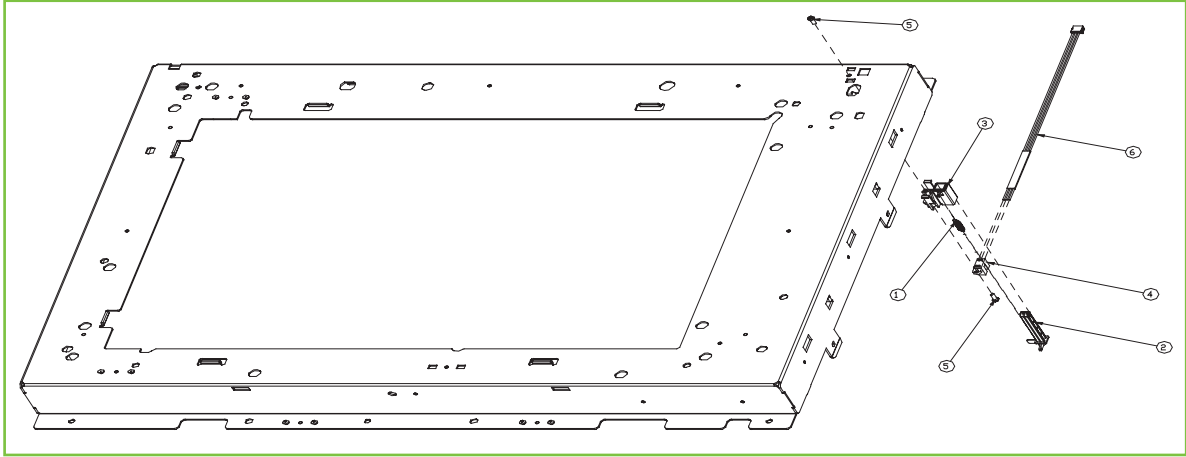


Table 9-76 Lid-sensor assembly

Ref	Description	Part number	Qty
All	Lid-sensor assembly	Q3938-67907	1

 **NOTE:** Only highlighted parts are orderable.

Figure 9-90 Motor assembly

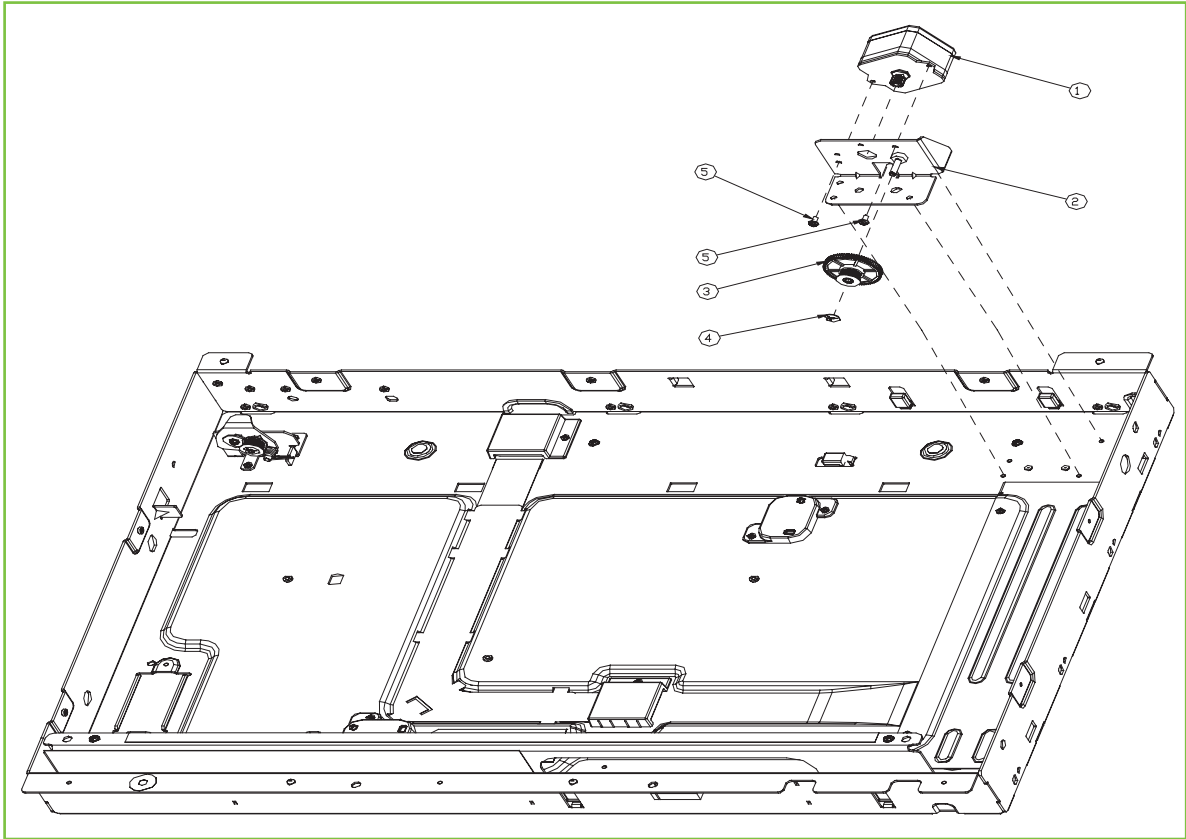


Table 9-77 Motor assembly

Ref	Description	Part number	Qty
All	Motor assembly	Q3938-67908	1

 **NOTE:** Only highlighted parts are orderable.

Figure 9-91 Pulley assembly

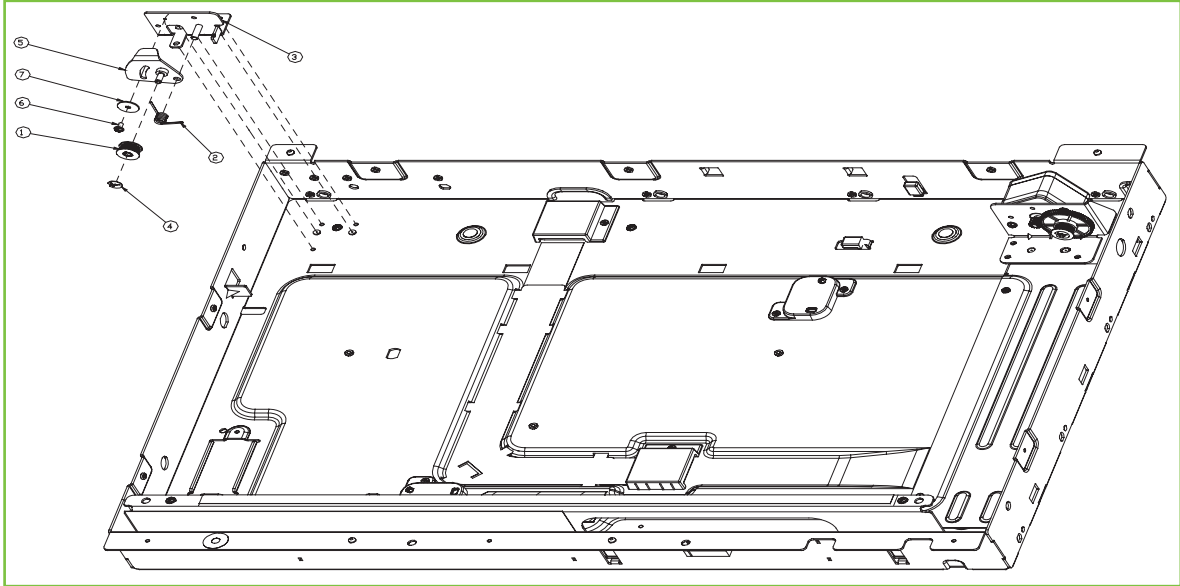


Table 9-78 Pulley assembly

Ref	Description	Part number	Qty
All	Pulley assembly	Q3938-67909	1

 **NOTE:** Only highlighted parts are orderable.

Figure 9-92 Power-supply assembly

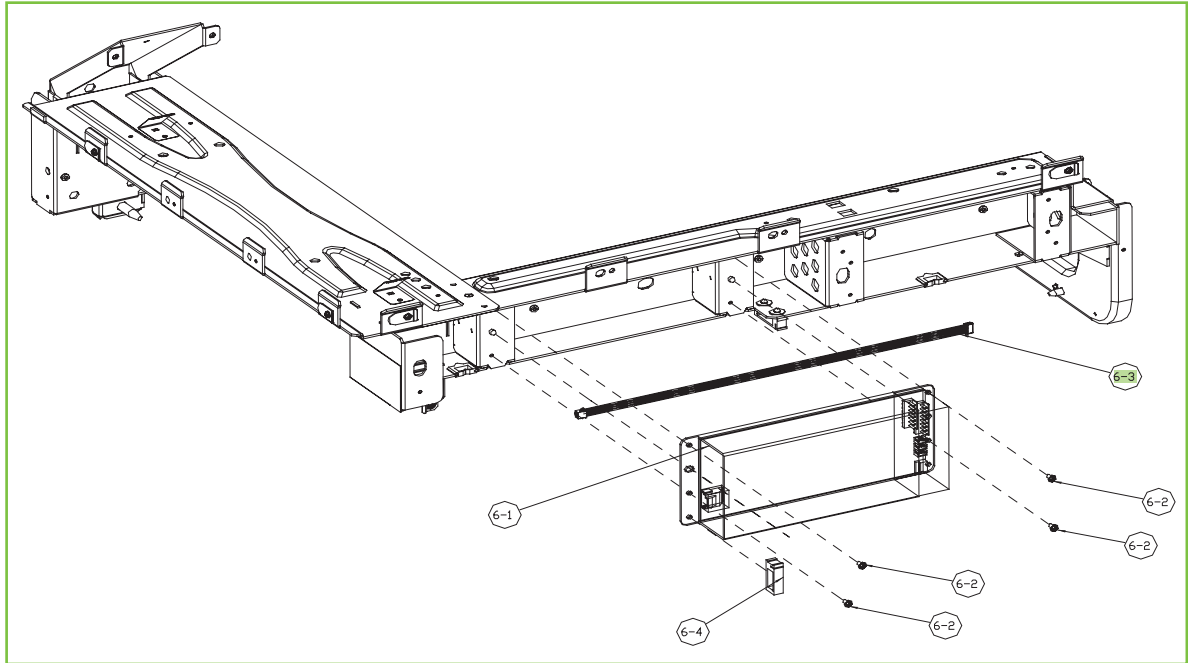


Table 9-79 Power-supply assembly

Ref	Description	Part number	Qty
All	Power-supply assembly	Q3938-67910	1
6-3	Power-supply harness	Q3938-67928	1

 **NOTE:** Only highlighted parts are orderable.

Figure 9-93 Main-frame assembly

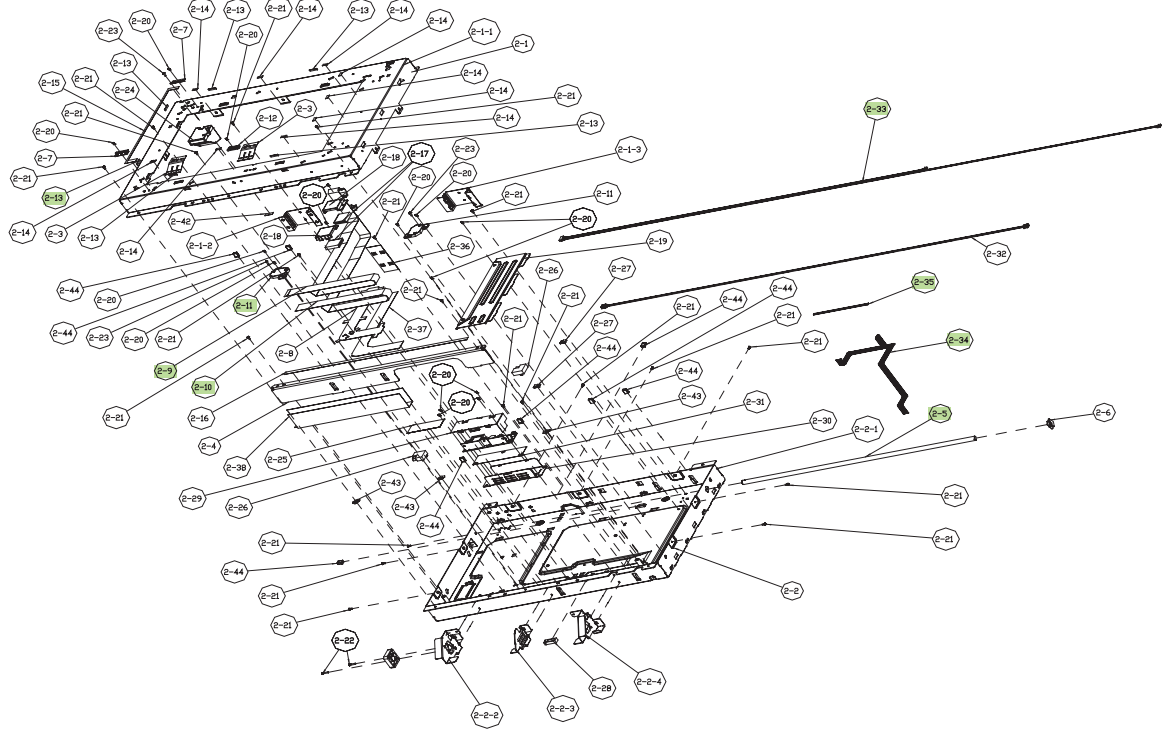
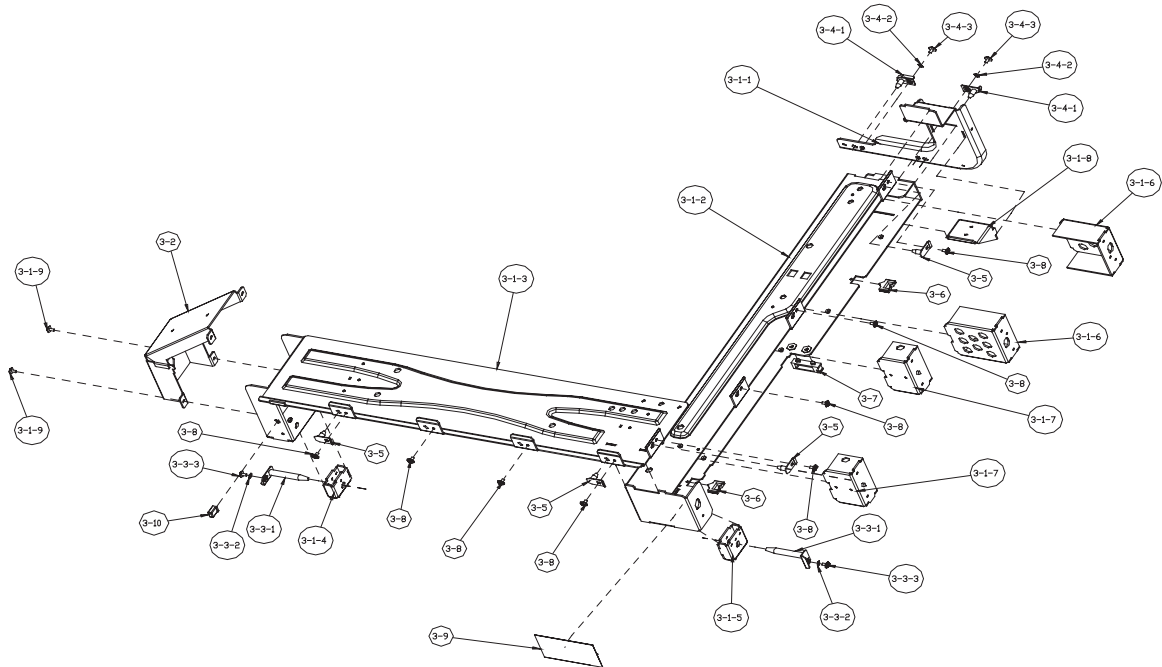


Table 9-80 Main-frame assembly

Ref	Description	Part number	Qty
2-5	Rod	Q3938-67911	1
2-9	Flat cable, 28, 940, A	Q3938-67912	1
2-10	Flat cable, 28, 970, B	Q3938-67913	1
2-11	Sensor base	Q3938-67914	2
2-13	Rubber glass guide	Q3938-67915	6

 **NOTE:** Only highlighted parts are orderable.

Figure 9-94 Support-frame assembly



 **NOTE:** Only highlighted parts are orderable.

Figure 9-95 Plastic-parts assembly (1 of 2)

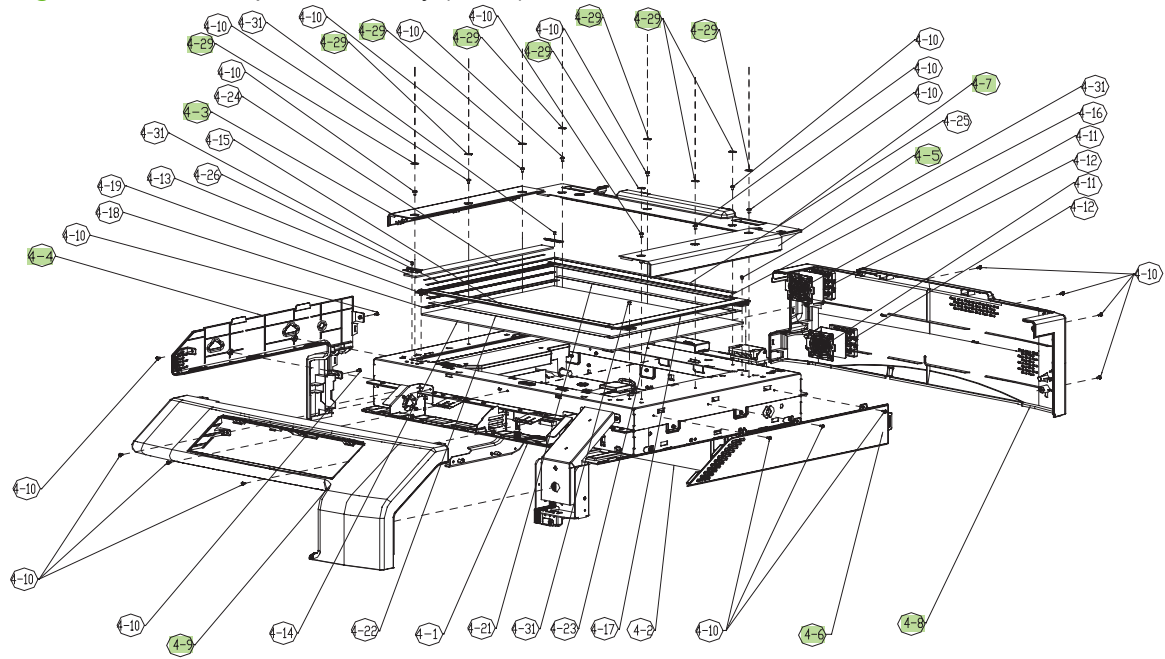


Figure 9-96 Plastic-parts assembly (2 of 2)

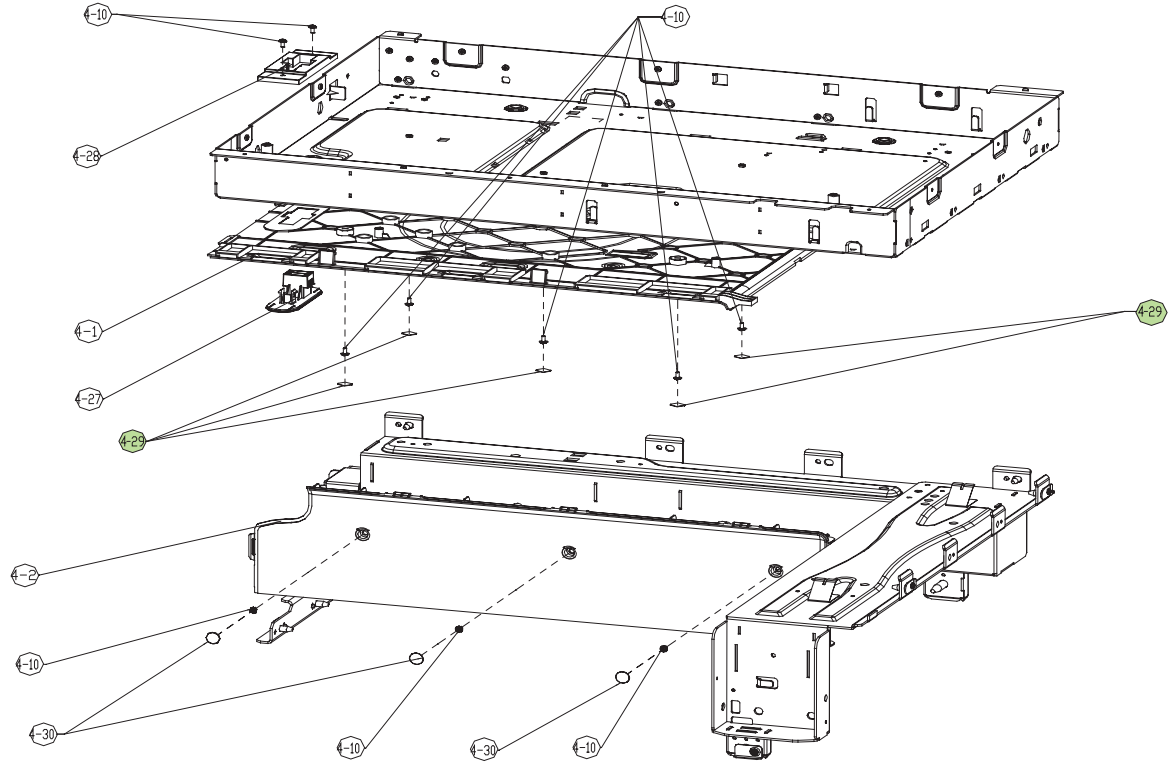
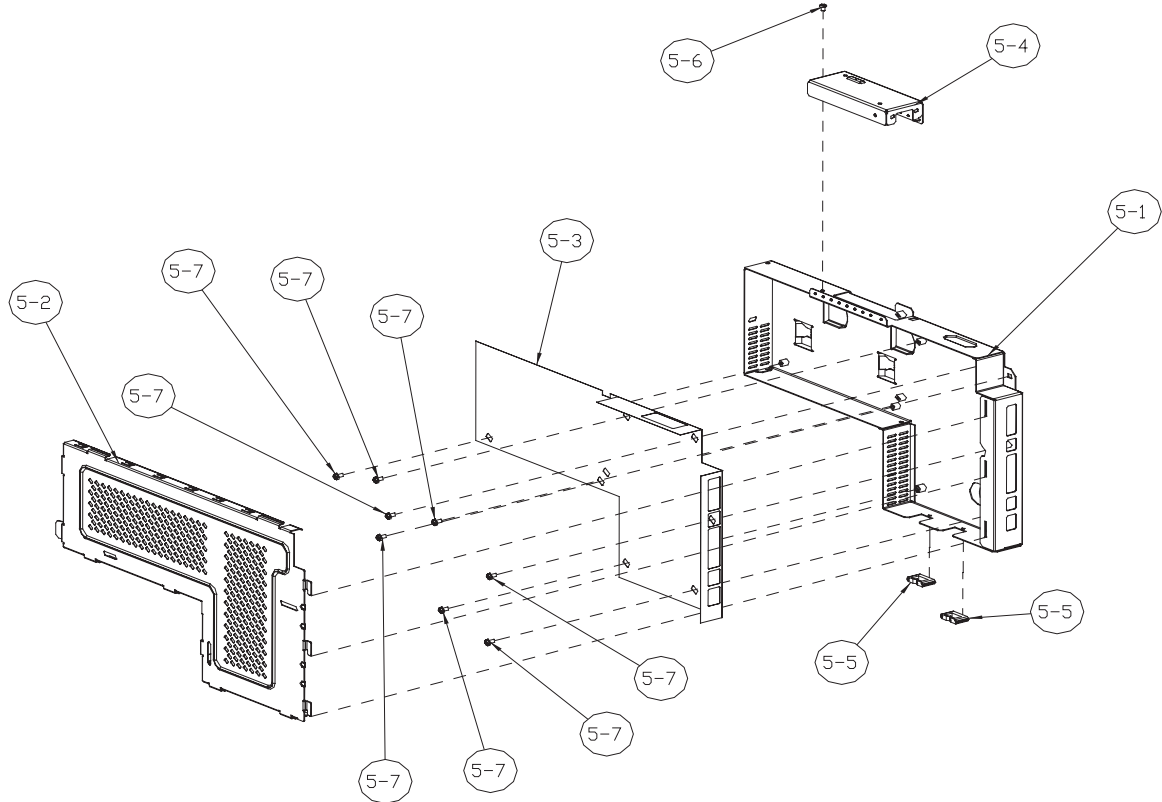


Table 9-81 Plastic-parts assembly

Ref	Description	Part number	Qty
4-3	Upper-left cover	Q3938-67920	1
4-4	Lower-left cover	Q3938-67921	1
4-5	Upper-right cover	Q3938-67922	1
4-6	Lower-right cover	Q3938-67923	1
4-7	Top cover	Q3938-67924	1
4-8	Rear cover	Q3938-67925	1
4-9	Front cover	Q3938-67926	1
4-29	Screw covers	Q3938-67927	14

 **NOTE:** Only highlighted parts are orderable.

Figure 9-97 Scanner controller board (SCB)-cage assembly




 **NOTE:** Only highlighted parts are orderable.

Figure 9-98 Transmission assembly

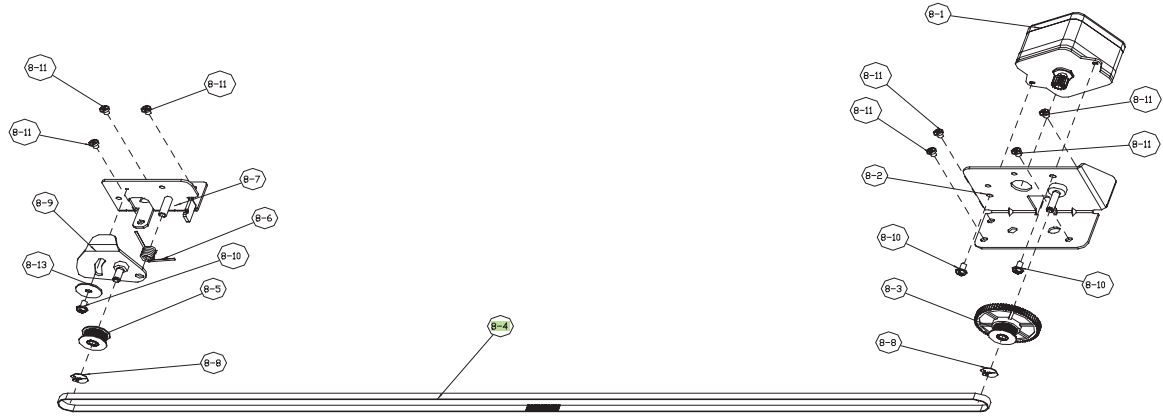


Table 9-82 Transmission assembly

Ref	Description	Part number	Qty
8-4	Timing belt	Q3938-67935	1

 **NOTE:** Only highlighted parts are orderable.

Figure 9-99 Fan-system assembly

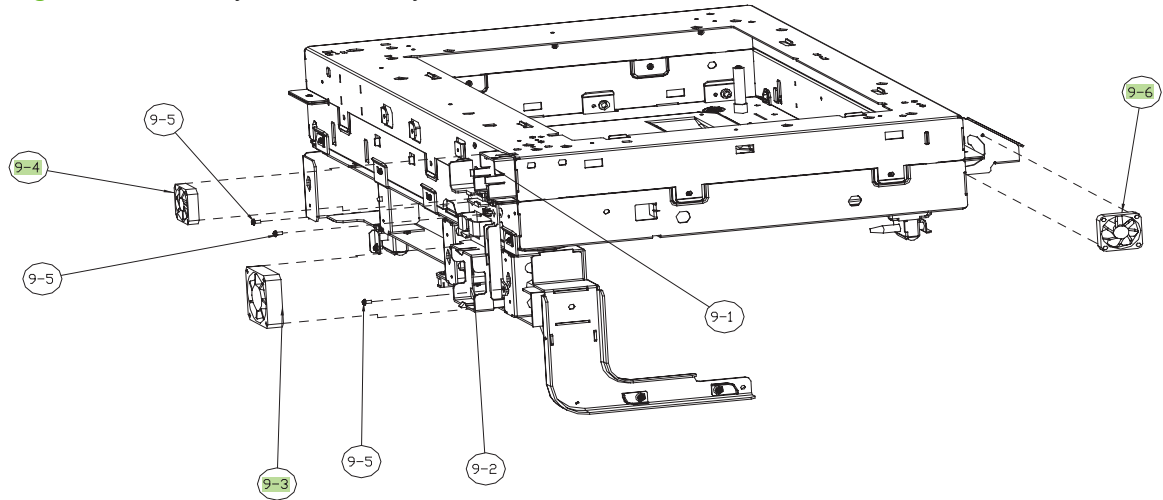


Table 9-83 Fan-system assembly

Ref	Description	Part number	Qty
9-3	Scanner controller board (SCB) fan	Q3938-67937	1
9-4	Scanner fan	Q3938-67938	1
9-6	Control-panel fan	Q3938-67939	1

 **NOTE:** Only highlighted parts are orderable.

Figure 9-100 Havic assembly

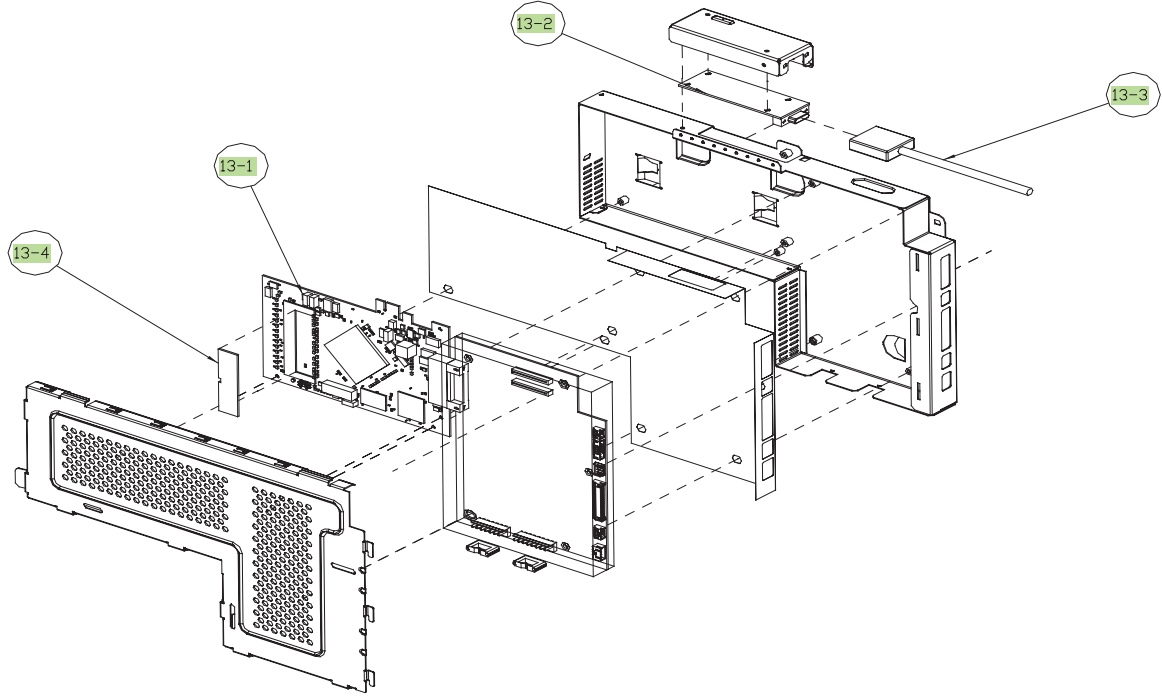


Table 9-84 Havic assembly

Ref	Description	Part number	Qty
13-1	Copy processor board (CPB)	Q3938-67940	1
13-2	SCUID board	Q3938-67941	1
13-3	PCIe cable	Q3938-67942	1
13-4	512 MB image scanner memory DIMM	Q7559A (module only) or Q3931-67904 (service kit)	1

 **NOTE:** Only highlighted parts are orderable.

Alphabetical parts list

Table 9-85 Alphabetical parts list

Description	Part number	Table and page
2000-staple cartridge (for booklet making)	CC383-67901	Staple assembly (stapler/stacker and booklet-maker) on page 987
2000-staple cartridge (for booklet making)	CC383-67901	Saddle-stapler assembly (booklet-maker) on page 1001
2nd-transfer-roller assembly kit	Q3931-67910	Printer internal components (3 of 7) on page 883
5000-staple replacement cartridge	C8091-67901	Staple assembly (stapler/stacker and booklet-maker) on page 987
5000-staple replacement cartridge	C8091-67901	Saddle-stapler assembly (booklet-maker) on page 1001
512 MB image scanner memory DIMM	Q7559A (module only) or Q3931-67904 (service kit)	Havic assembly on page 1065
Approach-switch assembly	FM2-0710-000CN	Output bin 1 (stack upper-tray assembly) (booklet-maker) on page 967
Area-sensor flag assembly	RM1-4107-000CN	Finisher (stapler/stacker and booklet-maker) on page 959
Area-sensor holder assembly	FM2-0709-000CN	Output bin 1 (stack upper-tray assembly) (stapler/stacker) on page 963
Area-sensor holder assembly	FM2-0709-000CN	Output bin 1 (stack upper-tray assembly) (booklet-maker) on page 967
Area-sensor holder assembly	FM2-0709-000CN	Output bin 2 (stack lower-tray assembly) (stapler/stacker and booklet-maker) on page 971
Area-sensor PCA assembly	4G1-1498-000CN	Output bin 1 (stack upper-tray assembly) (stapler/stacker) on page 963
Area-sensor PCA assembly	4G1-1498-000CN	Output bin 1 (stack upper-tray assembly) (booklet-maker) on page 967
Area-sensor PCA assembly	4G1-1498-000CN	Output bin 2 (stack lower-tray assembly) (stapler/stacker and booklet-maker) on page 971
Arm, 1st-estramgement	RC1-9189-000CN	Printer internal components (3 of 7) on page 883
Arm, adjustment, front	4A3-1763-000CN	Saddle assembly (booklet-maker) on page 993
Arm, adjustment, rear	4A3-1764-000CN	Saddle assembly (booklet-maker) on page 993

Table 9-85 Alphabetical parts list (continued)

Description	Part number	Table and page
Arm, auxiliary	RL1-1272-000CN	Intermediate-feed main body on page 935
Arm, lock	RC1-9913-000CN	Input-tray main body (1x500-sheet) on page 919
Arm, lock	RC1-9913-000CN	Input-tray main body (3x500-sheet) on page 923
Arm, paper-delivery gate	RC2-1293-000CN	Swing-guide assembly (stapler/stacker and booklet-maker) on page 983
Auto-close assembly, 1x500-sheet	RM1-3531-040CN	Input-tray auto-close assembly on page 927
Auto-close assembly, 3x500-sheet	RM1-3531-040CN	Input-tray auto-close assembly on page 927
Automatic document feeder (ADF) whole unit	Q3938-67943	ADF unit on page 1017
Band, door	RC1-9043-000CN	Printer front-door assembly on page 875
Bearing, ball	XG9-0586-000CN	Printer internal components (4 of 7) on page 885
Bearing, ball, 6902ZZNR	4S3-1050-000CN	Saddle assembly (booklet-maker) on page 993
Belt, paper-feed, cogged	RC1-9674-000CN	Intermediate-feed main body on page 935
Belt, timing	XF2-1608-840CN	Finisher (stapler/stacker and booklet-maker) on page 959
Belt, timing	XF2-3837-340CN	Saddle assembly (booklet-maker) on page 993
Belt, timing, cogged	XF2-1607-860CN	Finisher (stapler/stacker and booklet-maker) on page 959
Belt, timing, cogged	XF9-0748-000CN	Finisher (stapler/stacker and booklet-maker) on page 959
Booklet-maker (multi-function finisher) whole unit	CC516A (product number)	Booklet-maker unit on page 949
Booklet-output bin (saddle-tray assembly)	RM1-4113-000CN	Saddle-tray assembly (booklet-maker) on page 997
Bushing	RC1-8734-000CN	Printer internal components (3 of 7) on page 883
Bushing	RC1-9915-000CN	Input-tray main body (1x500-sheet) on page 919
Bushing	RC1-9915-000CN	Input-tray main body (3x500-sheet) on page 923
Bushing	RC1-4585-000CN	Intermediate-feed main body on page 935
Bushing	FU5-1169-000CN	Output bin 2 (stack lower-tray assembly) (stapler/stacker and booklet-maker) on page 971

Table 9-85 Alphabetical parts list (continued)

Description	Part number	Table and page
Button, main-switch	RC1-9300-000CN	Printer internal components (7 of 7) on page 893
Cable TP/T2 open-sensor	RM1-5030-000CN	Printer internal components (7 of 7) on page 893
Cable, ADF to scanner	Q3938-67948	ADF unit on page 1017
Cable, drawer	RM1-3561-000CN	Intermediate-feed main body on page 935
Cable, drawer	RM1-3560-000CN	Intermediate-feed main body on page 935
Cable, fixing open-sensor	RM1-5029-000CN	Printer internal components (5 of 7) on page 889
Cable, flexible flat	RK2-1356-000CN	Printer internal components (6 of 7) on page 891
Cable, laser flexible flat	RK2-1354-000CN	Printer internal components (2 of 7) on page 881
Cable, laser flexible flat	RK2-1355-000CN	Printer internal components (2 of 7) on page 881
Cable, MFP AC	RM1-3599-000CN	Printer internal components (7 of 7) on page 893
Cable, motor	RM1-3563-000CN	Intermediate-feed main body on page 935
Cable, motor	RM1-3564-000CN	Intermediate-feed main body on page 935
Cable, operation-tray	FG3-2903-000CN	Operation-tray assembly (stapler/stacker and booklet-maker) on page 975
Cable, option-sensor PCA connect	RM1-3574-000CN	Input-tray main body (1x500-sheet) on page 919
Cable, option-sensor PCA connect	RM1-3574-000CN	Input-tray main body (3x500-sheet) on page 923
Cable, paper-pickup option	RM1-3575-000CN	Input-tray main body (1x500-sheet) on page 919
Cable, paper-pickup option	RM1-3575-000CN	Input-tray main body (3x500-sheet) on page 923
Cable, paper-pickup-option drawer	RM1-3571-000CN	Input-tray main body (3x500-sheet) on page 923
Cable, pickup-option door switch	RM1-3572-000CN	Input-tray main body (1x500-sheet) on page 919
Cable, pickup-option door switch	RM1-3572-000CN	Input-tray main body (3x500-sheet) on page 923
Cable, pickup-option drawer	RM1-3571-000CN	Input-tray main body (1x500-sheet) on page 919
Cable, pickup-option lifter unit	RM1-3576-000CN	Input-tray auto-close assembly on page 927

Table 9-85 Alphabetical parts list (continued)

Description	Part number	Table and page
Cable, pickup-option PCA connect	RM1-3573-000CN	Input-tray main body (3x500-sheet) on page 923
Cable, saddle-unit	4G1-2283-000CN	Saddle assembly (booklet-maker) on page 993
Cable, sensor	4G1-2285-000CN	Saddle-tray assembly (booklet-maker) on page 997
Cable, solenoid	FG3-2892-000CN	Finisher (stapler/stacker and booklet-maker) on page 959
Cable, staple-connecting assembly	4G3-1777-000CN	Staple assembly (stapler/stacker and booklet-maker) on page 987
Cable-mount lattice assembly	RM1-4128-000CN	Finisher (stapler/stacker and booklet-maker) on page 959
Carriage assembly	Q3938-67901	Carriage assembly on page 1035
Cartridge contact-holder assembly	RM1-3254-000CN	Printer internal components (7 of 7) on page 893
Cartridge-interface assembly kit with service document	Q3931-67917	Printer internal components (7 of 7) on page 893
Cassette (1x500-sheet)	RM1-3529-000CN	Input-tray cassette on page 929
Cassette (3x500-sheet)	RM1-3529-000CN	Input-tray cassette on page 929
Cassette paper-pickup assembly	RM1-3206-000CN	Printer cassette paper-pickup assembly on page 901
Cassette-assembly kit with service document	Q3931-67918	Printer cassette on page 899
Caster, double-lock, front	RC1-9896-000CN	Input-tray main body (1x500-sheet) on page 919
Caster, double-lock, front	RC1-9896-000CN	Input-tray main body (3x500-sheet) on page 923
Caster, rear	RC1-9917-000CN	Input-tray main body (1x500-sheet) on page 919
Caster, rear	RC1-9917-000CN	Input-tray main body (3x500-sheet) on page 923
Caster, universal	RC2-1315-000CN	Finisher (stapler/stacker and booklet-maker) on page 959
Clamp, cable	WT2-5738-000CN	Input-tray main body (1x500-sheet) on page 919
Clamp, cable	WT2-5738-000CN	Input-tray main body (3x500-sheet) on page 923
Clamp, FFC	WT2-5912-000CN	Printer internal components (2 of 7) on page 881
Claw, latch, right	FC5-5021-000CN	Saddle assembly (booklet-maker) on page 993

Table 9-85 Alphabetical parts list (continued)

Description	Part number	Table and page
Clutch, electromagnetic	4H3-0370-000CN	Finisher (stapler/stacker and booklet-maker) on page 959
Color-plane-registration (CPR) sensor assembly	RM1-3258-000CN	Printer internal components (3 of 7) on page 883
Color-plane-registration (CPR)-joint cable	RM1-3624-000CN	Printer internal components (6 of 7) on page 891
Connector, drawer	VS1-7258-000CN	Printer internal components (5 of 7) on page 889
Connector, drawer	VS1-7257-012CN	Input-tray main body (1x500-sheet) on page 919
Connector, drawer	VS1-7257-012CN	Input-tray main body (3x500-sheet) on page 923
Connector, snap-tight	VS1-7177-002CN	Printer internal components (2 of 7) on page 881
Connector, snap-tight	VS1-7177-003CN	Printer internal components (4 of 7) on page 885
Control-panel fan	Q3938-67939	Fan-system assembly on page 1063
Copy processor board (CPB)	Q3938-67940	Havic assembly on page 1065
Cover pick roller	Q3938-67954	Jam-cover assembly on page 1025
Cover pick roller (part of the ADF maintenance kit)	Q3938-67954	Pickup-roller assembly on page 1027
Cover, assist, left	RC1-9705-000CN	Intermediate-feed main body on page 935
Cover, assist, right	RC1-9706-000CN	Intermediate-feed main body on page 935
Cover, cassette back-end	RC1-9201-000CN	Printer internal components (5 of 7) on page 889
Cover, face-down drive	RC1-9360-000CN	Printer external covers and panels on page 873
Cover, front, upper	RC1-9350-000CN	Printer external covers and panels on page 873
Cover, front-lower	RL1-1717-000CN	External panels and covers (stapler/stacker) on page 951
Cover, front-lower	RL1-1717-000CN	External panels and covers (booklet-maker) on page 953
Cover, front-upper	RC1-9873-000CN	Input-tray main body (1x500-sheet) on page 919
Cover, front-upper	RC1-9873-000CN	Input-tray main body (3x500-sheet) on page 923
Cover, internal, lower (booklet-maker only)	RL1-1477-000CN	Finisher (stapler/stacker and booklet-maker) on page 959

Table 9-85 Alphabetical parts list (continued)

Description	Part number	Table and page
Cover, internal, lower (stapler/stacker only)	RC2-1351-000CN	Finisher (stapler/stacker and booklet-maker) on page 959
Cover, internal, right	RC1-9348-000CN	Printer internal components (3 of 7) on page 883
Cover, left	RC1-9336-000CN	Printer external covers and panels on page 873
Cover, left	RC1-9872-000CN	Input-tray main body (1x500-sheet) on page 919
Cover, left	RC1-9872-000CN	Input-tray main body (3x500-sheet) on page 923
Cover, left-lower	RC2-1280-000CN	External panels and covers (booklet-maker) on page 953
Cover, main-switch	RC1-9211-000CN	Printer internal components (7 of 7) on page 893
Cover, motor	RC1-9511-000CN	Printer right-door assembly on page 877
Cover, multi-purpose blanking	RC1-8527-000CN	Printer right-door assembly on page 877
Cover, option-slide	RC2-1347-000CN	External panels and covers (stapler/stacker) on page 951
Cover, option-tray, front	RL1-2210-000CN	Output bin 1 (stack upper-tray assembly) (stapler/stacker) on page 963
Cover, paper-delivery	RC1-9351-000CN	Printer external covers and panels on page 873
Cover, rear	RL1-1210-000CN	Printer external covers and panels on page 873
Cover, rear	RC1-9871-000CN	Input-tray main body (1x500-sheet) on page 919
Cover, rear	RC1-9871-000CN	Input-tray main body (3x500-sheet) on page 923
Cover, rear	RC2-1278-000CN	External panels and covers (stapler/stacker) on page 951
Cover, rear	RC2-1278-000CN	External panels and covers (booklet-maker) on page 953
Cover, rear-left	RC1-9344-000CN	Printer external covers and panels on page 873
Cover, rear-lower	RL1-1718-000CN	External panels and covers (stapler/stacker) on page 951
Cover, rear-lower	RL1-1718-000CN	External panels and covers (booklet-maker) on page 953
Cover, rear-upper	RC1-9703-000CN	Intermediate-feed main body on page 935
Cover, right-front	RL1-1322-000CN	Input-tray main body (1x500-sheet) on page 919

Table 9-85 Alphabetical parts list (continued)

Description	Part number	Table and page
Cover, right-front	RL1-1321-000CN	Input-tray main body (3x500-sheet) on page 923
Cover, right-lower	RC1-9874-000CN	Input-tray main body (1x500-sheet) on page 919
Cover, right-lower	RC1-9874-000CN	Input-tray main body (3x500-sheet) on page 923
Cover, tray-connector	RC2-1279-000CN	External panels and covers (stapler/stacker) on page 951
Cover, tray-connector	RC2-1279-000CN	External panels and covers (booklet-maker) on page 953
Damper, gear	RC1-8925-000CN	Printer internal components (4 of 7) on page 885
DC controller PCA assembly	RM1-6642-000CN	Printer PCA assembly location on page 915
DC motor assembly	RM1-4519-000CN	Printer internal components (4 of 7) on page 885
DC-controller PCA assembly	RM1-6642-000CN	Printer internal components (6 of 7) on page 891
DC-controller power cable	RM1-3610-000CN	Printer internal components (6 of 7) on page 891
Deflector	FB3-7928-020CN	Saddle assembly (booklet-maker) on page 993
Deflector	FB5-2697-000CN	Saddle assembly (booklet-maker) on page 993
Delivery-switch mount assembly	FM2-1639-000CN	Saddle assembly (booklet-maker) on page 993
Diverter	Q3938-67953	Backbone assembly on page 1023
Door, stock	RC1-9921-000CN	Input-tray main body (1x500-sheet) on page 919
Drive-belt assembly	RM1-3684-000CN	Intermediate-feed main body on page 935
Drum-motor assembly	RM1-3286-000CN	Printer internal components (4 of 7) on page 885
Duct, air	RC1-8961-000CN	Printer internal components (4 of 7) on page 885
Duct, cartridge	RC1-9276-000CN	Printer internal components (4 of 7) on page 885
Duct, face-down joint	RC1-8964-000CN	Printer internal components (4 of 7) on page 885
Duct, scanner	RC1-9334-000CN	Printer internal components (2 of 7) on page 881
Duct, scanner-fan	RC1-9309-000CN	Printer internal components (4 of 7) on page 885

Table 9-85 Alphabetical parts list (continued)

Description	Part number	Table and page
Duplexing-feed assembly	RM1-3665-000CN	Printer duplexing-feed assembly on page 913
Duplexing-reverse assembly	RM1-3652-000CN	Printer duplexing-reverse assembly on page 911
Duplexing-tray lower assembly	RC1-5949-000CN	Printer external covers and panels on page 873
End cover (cap) back	Q3938-67945	ADF unit on page 1017
End cover (cap) front assembly	Q3938-67946	Front-end cover on page 1019
Entire scanner without power supply, boards, and cable	Q3938-60132	Scanner unit on page 1033
Entrance lower-guide assembly	RM1-4110-000CN	Saddle paper-feeder assembly (stapler/stacker) on page 1003
Entrance lower-guide assembly	RM1-4110-000CN	Saddle paper-feeder assembly (booklet-maker) on page 1005
Entrance upper-guide assembly	RM1-4172-000CN	Entrance upper-guide assembly (stapler/stacker and booklet-maker) on page 985
Entrance-sensor flag assembly	FM2-0718-000CN	Finisher (stapler/stacker and booklet-maker) on page 959
Face-down end-tray assembly	RM1-3340-000CN	Printer external covers and panels on page 873
Face-down full-flag assembly	RM1-4391-000CN	Printer face-down paper-delivery assembly on page 909
Face-down paper-delivery assembly	RM1-3293-000CN	Printer face-down paper-delivery assembly on page 909
Face-down unit-1 cable	RM1-3390-000CN	Printer internal components (7 of 7) on page 893
Face-down unit-2 cable	RM1-3391-000CN	Printer internal components (7 of 7) on page 893
Fan	RK2-1377-000CN	Printer internal components (4 of 7) on page 885
Fan	RK2-1382-000CN	Printer internal components (4 of 7) on page 885
Fan	RK2-1378-000CN	Printer internal components (4 of 7) on page 885
Fan	RK2-1378-000CN	Printer internal components (5 of 7) on page 889
Fan	RK2-1378-000CN	Printer duplexing-reverse assembly on page 911
Fan assembly	RM1-3364-000CN	Printer internal components (2 of 7) on page 881
Fan assembly	RM1-4394-000CN	Intermediate-feed main body on page 935

Table 9-85 Alphabetical parts list (continued)

Description	Part number	Table and page
Filter unit, air	RC1-9313-000CN	Printer external covers and panels on page 873
Fin-lock assembly	RM1-3685-000CN	Intermediate-feed main body on page 935
Fixing assembly kit, 110-127V, with air filter (air filter is Ref 14 in Printer external panels and covers)	Q3931-67914	Printer internal components (4 of 7) on page 885
Fixing assembly kit, 220-240V, with air filter (air filter is Ref 14 in Printer external panels and covers)	Q3931-67915	Printer internal components (4 of 7) on page 885
Fixing one-way gear assembly	RM1-3247-000CN	Printer internal components (4 of 7) on page 885
Fixing power-supply assembly	RM1-3218-000CN	Printer internal components (7 of 7) on page 893
Fixing power-supply assembly	RM1-3218-000CN	Printer PCA assembly location on page 915
Fixing-bias cable assembly	RM1-4409-000CN	Printer internal components (7 of 7) on page 893
Fixing-fan cover assembly	RM1-5950-000CN	Printer external covers and panels on page 873
Fixing-joint cable	RM1-3612-000CN	Printer internal components (7 of 7) on page 893
Fixing-motor cable	RM1-3217-000CN	Printer internal components (6 of 7) on page 891
Flag sensor LS	Q3938-67951	ADF unit on page 1017
Flag, paper-face sensing, upper	FC5-4162-000CN	External panels and covers (stapler/stacker) on page 951
Flag, paper-sensing sensor	FC5-5004-000CN	External panels and covers (stapler/stacker) on page 951
Flag, paper-sensing sensor	FC5-5004-000CN	External panels and covers (booklet-maker) on page 953
Flag, roller	FB3-7925-030CN	Saddle assembly (booklet-maker) on page 993
Flag, sensor	FB3-7979-000CN	Saddle assembly (booklet-maker) on page 993
Flag, sensor	FB5-5937-020CN	Saddle assembly (booklet-maker) on page 993
Flange, pulley	RC1-9620-000CN	Intermediate-feed main body on page 935
Flat cable, 28, 940, A	Q3938-67912	Main-frame assembly on page 1055
Flat cable, 28, 970, B	Q3938-67913	Main-frame assembly on page 1055
Flexible-cable mount assembly	FM2-0720-000CN	Finisher (stapler/stacker and booklet-maker) on page 959

Table 9-85 Alphabetical parts list (continued)

Description	Part number	Table and page
Float assembly	Q7829-67917	Backbone assembly on page 1023
Foot, rubber	RC1-9208-000CN	Printer internal components (6 of 7) on page 891
Formatter-case assembly	RM1-3253-000CN	Printer internal components (6 of 7) on page 891
Front cable	RM1-3617-000CN	Printer internal components (6 of 7) on page 891
Front cover	Q3938-67926	Plastic-parts assembly on page 1059
Front internal small-cover assembly	RC1-5953-000CN	Printer external covers and panels on page 873
Front internal-cover assembly	RM1-4404-000CN	Printer front-door assembly on page 875
Front-cover assembly	RM1-3357-000CN	Printer front-door assembly on page 875
Front-door assembly	RM1-4134-000CN	External panels and covers (stapler/stacker) on page 951
Front-door assembly	RM1-4122-000CN	External panels and covers (booklet-maker) on page 953
Gear, 16T	FS6-0823-000CN	Saddle assembly (booklet-maker) on page 993
Gear, 16T	FS6-0830-000CN	Saddle assembly (booklet-maker) on page 993
Gear, 16T/33T	FS6-0822-000CN	Saddle assembly (booklet-maker) on page 993
Gear, 16T/56T	FS6-0829-000CN	Saddle assembly (booklet-maker) on page 993
Gear, 17T	FU5-0457-000CN	Output bin 1 (stack upper-tray assembly) (booklet-maker) on page 967
Gear, 17T	FU5-0457-000CN	Output bin 2 (stack lower-tray assembly) (stapler/stacker and booklet-maker) on page 971
Gear, 29T	FU5-2399-000CN	Finisher (stapler/stacker and booklet-maker) on page 959
Gear, 30T	FU5-0428-000CN	Finisher (stapler/stacker and booklet-maker) on page 959
Gear, 34T	RU5-0791-000CN	Printer internal components (4 of 7) on page 885
Gear, 40T	FU5-0454-000CN	Finisher (stapler/stacker and booklet-maker) on page 959
Gear, 44T	FU5-0435-000CN	Output bin 1 (stack upper-tray assembly) (stapler/stacker) on page 963

Table 9-85 Alphabetical parts list (continued)

Description	Part number	Table and page
Gear, 44T	FU5-0435-000CN	Output bin 1 (stack upper-tray assembly) (booklet-maker) on page 967
Gear, 44T	FU5-0435-000CN	Output bin 2 (stack lower-tray assembly) (stapler/stacker and booklet-maker) on page 971
Gear, 50T	4S3-0171-000CN	Saddle assembly (booklet-maker) on page 993
Gear, 83T/25T	RU5-0790-000CN	Printer internal components (4 of 7) on page 885
Glass assembly	Q3938-67906	Glass assembly on page 1045
Grip-support front assembly	RM1-3225-000CN	Printer internal components (2 of 7) on page 881
Grip-support rear assembly	RM1-3226-000CN	Printer internal components (2 of 7) on page 881
Guide, cable, 2	RC1-9688-000CN	Intermediate-feed main body on page 935
Guide, cable, A	RC1-9306-000CN	Printer internal components (7 of 7) on page 893
Guide, cable, B	RC1-9307-000CN	Printer internal components (6 of 7) on page 891
Guide, cable, C	RC1-9308-000CN	Printer internal components (6 of 7) on page 891
Guide, cable, D	RC1-9312-000CN	Printer internal components (6 of 7) on page 891
Guide, cable, E	RC1-9318-000CN	Printer internal components (6 of 7) on page 891
Guide, cable, F	RC1-9323-000CN	Printer internal components (7 of 7) on page 893
Guide, duplexing-feed, upper	RL1-1335-000CN	Printer right-door assembly on page 877
Guide, face-down inner	RC1-8959-000CN	Printer internal components (2 of 7) on page 881
Guide, fixing-cable	RC1-9332-000CN	Printer internal components (7 of 7) on page 893
Guide, intermediate transfer belt (ITB)-entrance, front	RC1-9185-000CN	Printer internal components (3 of 7) on page 883
Guide, intermediate transfer belt (ITB)-entrance, rear	RC1-9186-000CN	Printer internal components (3 of 7) on page 883
Guide, multi-purpose, right	RL1-1283-000CN	Printer internal components (2 of 7) on page 881
Guide, multi-purpose, upper	RC1-8526-000CN	Printer multi-purpose paper-pickup assembly on page 903
Guide, paper-feed roller	RC1-9881-000CN	Input-tray main body (1x500-sheet) on page 919

Table 9-85 Alphabetical parts list (continued)

Description	Part number	Table and page
Guide, paper-feed roller	RC1-9881-000CN	Input-tray main body (3x500-sheet) on page 923
Guide, side-wall	RC2-1284-000CN	External panels and covers (booklet-maker) on page 953
Guide-motor assembly	4G3-0725-000CN	Saddle assembly (booklet-maker) on page 993
Guide-sensor assembly	RM1-4400-000CN	Printer internal components (5 of 7) on page 889
High-voltage transfer B PCA assembly	RM1-5475-000CN	Printer internal components (1 of 7) on page 879
High-voltage-transfer A PCA assembly	RM1-3582-000CN	Printer internal components (7 of 7) on page 893
High-voltage-transfer A PCA assembly	RM1-3582-000CN	Printer PCA assembly location on page 915
High-voltage-transfer B PCA assembly	RM1-5475-000CN	Printer PCA assembly location on page 915
Hinge assembly	Q3938-67952	Hinge assembly on page 1021
Hinge, front-door, 1	FC5-4991-030CN	Finisher (stapler/stacker and booklet-maker) on page 959
Hinge, front-door, 2	FC5-4992-030CN	Finisher (stapler/stacker and booklet-maker) on page 959
Holder, cartridge-fan	RC1-9277-000CN	Printer internal components (4 of 7) on page 885
Holder, environment-sensor	RC1-9324-000CN	Printer internal components (2 of 7) on page 881
Holder, fixing-fan	RC1-9278-000CN	Printer internal components (4 of 7) on page 885
Holder, high-voltage-connector	RC1-9328-000CN	Printer internal components (7 of 7) on page 893
Holder, roller, 2	FB3-7973-000CN	Saddle assembly (booklet-maker) on page 993
Holder, scanner-fan	RC1-9279-000CN	Printer internal components (4 of 7) on page 885
Holder, scanner-thermistor	RC1-9260-000CN	Printer internal components (2 of 7) on page 881
Inner side-plate assembly	4G3-0671-000CN	Saddle assembly (booklet-maker) on page 993
Inner side-plate assembly	4G3-0671-000CN	Inner side-plate assembly (booklet-maker) on page 1009
Inner-cover assembly	RM1-4123-000CN	Finisher (stapler/stacker and booklet-maker) on page 959
Interface-joint cable	RM1-3623-000CN	Printer internal components (6 of 7) on page 891

Table 9-85 Alphabetical parts list (continued)

Description	Part number	Table and page
Interlock-switch assembly	RM1-3589-000CN	Printer internal components (2 of 7) on page 881
Intermediate paper-transfer unit (IPTU)-driver PCA assembly	RM1-3559-000CN	Intermediate-feed main body on page 935
Intermediate paper-transfer unit (IPTU)-driver PCA assembly	RM1-3559-000CN	PCA assembly on page 945
Intermediate transfer belt (ITB) assembly kit	Q3931-67908	Printer internal components (3 of 7) on page 883
Intermediate transfer belt (ITB) duct assembly	RM1-4401-000CN	Printer internal components (5 of 7) on page 889
Intermediate transfer belt (ITB) estrangement-drive assembly	RM1-3280-000CN	Printer internal components (3 of 7) on page 883
Intermediate transfer belt (ITB) lock-support front assembly	RM1-3228-000CN	Printer internal components (3 of 7) on page 883
Intermediate transfer belt (ITB) lock-support rear assembly	RM1-3215-000CN	Printer internal components (3 of 7) on page 883
Intermediate transfer belt (ITB)-drawer assembly	RM1-3240-000CN	Printer internal components (3 of 7) on page 883
Inverter assembly	Q3938-67905	Inverter assembly on page 1043
Jam-cover assembly	Q3938-67970	Jam-cover assembly on page 1025
Knob (booklet-maker only)	FB3-7881-000CN	Finisher (stapler/stacker and booklet-maker) on page 959
Knob, latch	FC5-5024-000CN	Saddle-guide assembly (booklet-maker) on page 999
Large-pin assembly	Q3938-67903	Large-pin assembly on page 1039
LED-PCA assembly	RM1-4141-000CN	External panels and covers (stapler/stacker) on page 951
LED-PCA assembly	RM1-4141-000CN	External panels and covers (booklet-maker) on page 953
Left upper-cover assembly	RM1-4179-000CN	External panels and covers (stapler/stacker) on page 951
Left-assist assembly	RM1-4396-000CN	Left-assist assembly on page 941
Left-side wall assembly	RM1-3233-000CN	Printer internal components (1 of 7) on page 879
Left-upper cover assembly	RM1-4129-000CN	External panels and covers (booklet-maker) on page 953
Lever, door-interlock shutter	RC1-9220-000CN	Printer internal components (5 of 7) on page 889
Lever, lock	RC1-9883-000CN	Input-tray main body (1x500-sheet) on page 919

Table 9-85 Alphabetical parts list (continued)

Description	Part number	Table and page
Lever, lock	RC1-9883-000CN	Input-tray main body (3x500-sheet) on page 923
Lever, paper-sensing	RC1-8928-000CN	Printer internal components (5 of 7) on page 889
Lever, stopper	4A3-1782-000CN	Saddle assembly (booklet-maker) on page 993
Lid-sensor assembly	Q3938-67907	Lid-sensor assembly on page 1047
Lifter-drive-assembly kit	RM1-3222-000CN	Printer lifter-drive assembly on page 897
Limiter, torque	RC1-8519-000CN	Printer multi-purpose paper-pickup assembly on page 903
Limiter, torque	FC5-3657-000CN	Finisher (stapler/stacker and booklet-maker) on page 959
Link-slide assembly	4G3-0271-000CN	External panels and covers (stapler/stacker) on page 951
Link-slide assembly	4G3-0271-000CN	External panels and covers (booklet-maker) on page 953
Low-voltage power-supply assembly	RM1-3594-000CN	Printer internal components (5 of 7) on page 889
Low-voltage power-supply assembly	RM1-3594-000CN	Printer PCA assembly location on page 915
Lower height-guide assembly	RM1-4135-000CN	External panels and covers (stapler/stacker) on page 951
Lower-guide assembly	RM1-3686-000CN	Intermediate-feed lower-guide assembly on page 937
Lower-left cover	Q3938-67921	Plastic-parts assembly on page 1059
Lower-right cover	Q3938-67923	Plastic-parts assembly on page 1059
Main controller PCA assembly (stapler/stacker and booklet-maker)	RM1-4139-000CN	PCA assembly on page 1015
Main drive-unit kit	Q3931-67911	Printer internal components (4 of 7) on page 885
Main switch-holder assembly	RM1-3252-000CN	Printer internal components (7 of 7) on page 893
Maintenance kit	Q3938-67944	ADF unit on page 1017
Memory-tag PCA assembly	RM1-3585-000CN	Printer internal components (4 of 7) on page 885
Memory-tag PCA assembly	RM1-3585-000CN	Printer PCA assembly location on page 915
Middle-height cover assembly	RM1-4119-000CN	External panels and covers (booklet-maker) on page 953
Motor assembly	Q3938-67908	Motor assembly on page 1049

Table 9-85 Alphabetical parts list (continued)

Description	Part number	Table and page
Motor, stepping	4K1-1103-000CN	Pass lower-guide assembly (booklet-maker) on page 1007
Motor, stepping, DC	RK2-1366-000CN	Printer internal components (4 of 7) on page 885
Motor, stepping, DC	RK2-1370-000CN	Printer internal components (4 of 7) on page 885
Motor, stepping, DC	RK2-1331-000CN	Input-tray main body (1x500-sheet) on page 919
Motor, stepping, DC	RK2-1331-000CN	Input-tray main body (3x500-sheet) on page 923
Motor, stepping, DC	RK2-1320-000CN	Intermediate-feed main body on page 935
Motor-mount assembly	4G3-0670-000CN	Saddle assembly (booklet-maker) on page 993
Motor-mount assembly	4G3-0670-000CN	Motor-mount assembly (booklet-maker) on page 1013
Mount, LED-PCA	RC2-1735-000CN	External panels and covers (stapler/stacker) on page 951
Multi-purpose paper-pickup assembly	RM1-3345-000CN	Printer multi-purpose paper-pickup assembly on page 903
Multi-purpose-drive assembly	RM1-3366-000CN	Printer multi-purpose-drive assembly on page 895
Multi-purpose-guide assembly	RM1-3291-000CN	Printer multi-purpose-guide assembly on page 907
Multi-purpose-tray assembly	RM1-3341-000CN	Printer multi-purpose-tray assembly on page 905
Multi-tray cable	RM1-3630-000CN	Printer multi-purpose-tray assembly on page 905
Operation-tray assembly	RM1-4125-000CN	Operation-tray assembly (stapler/stacker and booklet-maker) on page 975
Option paper-sensor PCA assembly	RM1-3570-000CN	Input-tray paper-pickup assembly on page 931
Option-sensor assembly	FM2-1708-000CN	Output bin 1 (stack upper-tray assembly) (stapler/stacker) on page 963
Panel cable	RM1-3389-000CN	Printer internal components (6 of 7) on page 891
Panel, height, upper	RC2-1283-000CN	External panels and covers (stapler/stacker) on page 951
Panel, height, upper	RC2-1283-000CN	External panels and covers (booklet-maker) on page 953
Panel-joint cable	RM1-3622-000CN	Printer internal components (6 of 7) on page 891

Table 9-85 Alphabetical parts list (continued)

Description	Part number	Table and page
Paper feed-roller assembly	RM1-0037-020CN	Input-tray paper-pickup assembly on page 931
Paper-delivery-guide assembly	RM1-4407-000CN	Printer face-down paper-delivery assembly on page 909
Paper-face sensing assembly	4G3-1624-000CN	External panels and covers (stapler/stacker) on page 951
Paper-face sensing assembly	4G3-1624-000CN	External panels and covers (booklet-maker) on page 953
Paper-face sensor assembly	4G3-0934-000CN	External panels and covers (stapler/stacker) on page 951
Paper-face sensor assembly	4G3-0934-000CN	External panels and covers (booklet-maker) on page 953
Paper-feed PCA assembly	RM1-3569-000CN	Input-tray main body (1x500-sheet) on page 919
Paper-feed PCA assembly	RM1-3569-000CN	Input-tray main body (3x500-sheet) on page 923
Paper-feed PCA assembly (1x500-sheet)	RM1-3569-000CN	Input-tray PCA assembly on page 933
Paper-feed PCA assembly (3x500-sheet)	RM1-3569-000CN	Input-tray PCA assembly on page 933
Paper-feeder motor assembly	RM1-4175-000CN	Paper-feeder motor assembly (stapler/stacker and booklet-maker) on page 977
Paper-sensor assembly	FM2-0707-000CN	Output bin 1 (stack upper-tray assembly) (stapler/stacker) on page 963
Paper-sensor assembly	FM2-0707-000CN	Output bin 1 (stack upper-tray assembly) (booklet-maker) on page 967
Paper-sensor assembly	FM2-0707-000CN	Output bin 2 (stack lower-tray assembly) (stapler/stacker and booklet-maker) on page 971
Partition-plate assembly, cyan	RM1-3238-000CN	Printer internal components (1 of 7) on page 879
Partition-plate assembly, magenta	RM1-3237-000CN	Printer internal components (1 of 7) on page 879
Partition-plate assembly, yellow	RM1-3235-000CN	Printer internal components (1 of 7) on page 879
PCA motor assembly	Q7829-67903	ADF unit on page 1017
PCIe cable	Q3938-67942	Havic assembly on page 1065
Photo interrupter with connector	Q7829-67914	ADF unit on page 1017
Photo interrupter with connector	Q7829-67914	Backbone assembly on page 1023

Table 9-85 Alphabetical parts list (continued)

Description	Part number	Table and page
Photo interrupter, TLP1242	WG8-5593-000CN	External panels and covers (stapler/stacker) on page 951
Photo interrupter, TLP1242	WG8-5593-000CN	External panels and covers (booklet-maker) on page 953
Photo interrupter, TLP1242	WG8-5593-000CN	Finisher (stapler/stacker and booklet-maker) on page 959
Photo interrupter, TLP1242	WG8-5593-000CN	Output bin 1 (stack upper-tray assembly) (stapler/stacker) on page 963
Photo interrupter, TLP1242	WG8-5593-000CN	Operation-tray assembly (stapler/stacker and booklet-maker) on page 975
Photo interrupter, TLP1242	WG8-5593-000CN	Operation-tray assembly (stapler/stacker and booklet-maker) on page 975
Photo interrupter, TLP1242	WG8-5593-000CN	Saddle assembly (booklet-maker) on page 993
Photo interrupter, TLP1242	WG8-5593-000CN	Saddle assembly (booklet-maker) on page 993
Photo interrupter, TLP1242	WG8-5593-000CN	Saddle assembly (booklet-maker) on page 993
Photo interrupter, TLP1242	WG8-5593-000CN	Saddle assembly (booklet-maker) on page 993
Photo interrupter, TLP1242	WG8-5593-000CN	Saddle assembly (booklet-maker) on page 993
Photo interrupter, TLP1242	WG8-5593-000CN	Saddle-tray assembly (booklet-maker) on page 997
Photo interrupter, TLP1242	WG8-5593-000CN	Saddle paper-feeder assembly (booklet-maker) on page 1005
Photo interrupter, TLP1242	WG8-5593-000CN	Pass lower-guide assembly (booklet-maker) on page 1007
Photo interrupter, TLP1242	WG8-5593-000CN	Inner side-plate assembly (booklet-maker) on page 1009
Photo interrupter, TLP1242	WG8-5593-000CN	Saddle paper-delivery assembly (booklet-maker) on page 1011
Photo interrupter, TLP1243	WG8-5696-000CN	Printer right-door assembly on page 877
Photo interrupter, TLP1243	WG8-5696-000CN	Printer right-door assembly on page 877
Photo interrupter, TLP1243	WG8-5696-000CN	Printer internal components (2 of 7) on page 881
Photo interrupter, TLP1243	WG8-5696-000CN	Printer internal components (5 of 7) on page 889
Photo interrupter, TLP1243	WG8-5696-000CN	Printer internal components (7 of 7) on page 893
Photo interrupter, TLP1243	WG8-5696-000CN	Printer cassette paper-pickup assembly on page 901

Table 9-85 Alphabetical parts list (continued)

Description	Part number	Table and page
Photo interrupter, TLP1243	WG8-5696-000CN	Printer multi-purpose-guide assembly on page 907
Photo interrupter, TLP1243	WG8-5696-000CN	Printer face-down paper-delivery assembly on page 909
Photo interrupter, TLP1243	WG8-5696-000CN	Printer duplexing-reverse assembly on page 911
Photosensor assembly	RM1-3250-000CN	Printer internal components (2 of 7) on page 881
Pin	XD3-2200-102CN	Finisher (stapler/stacker and booklet-maker) on page 959
Pin	XD3-2200-102CN	Finisher (stapler/stacker and booklet-maker) on page 959
Pin, dowel	XD9-0240-000CN	Printer internal components (4 of 7) on page 885
Pin, dowel	XD3-2200-142CN	Finisher (stapler/stacker and booklet-maker) on page 959
Pin, dowel	XD3-2300-142CN	Output bin 1 (stack upper-tray assembly) (booklet-maker) on page 967
Pin, dowel	XD3-2300-142CN	Output bin 2 (stack lower-tray assembly) (stapler/stacker and booklet-maker) on page 971
Pin, dowel	XD3-2300-202CN	Saddle assembly (booklet-maker) on page 993
Plate, assist-arm cap	RC1-9695-000CN	Intermediate-feed main body on page 935
Plate, drawer-guard	RC1-9235-000CN	Printer internal components (5 of 7) on page 889
Plate, fan-fixing, front	RC1-9190-000CN	Printer internal components (5 of 7) on page 889
Plate, fixing-motor	RL1-1216-000CN	Printer internal components (4 of 7) on page 885
Plate, grounding (booklet-maker only)	4A3-1955-000CN	Finisher (stapler/stacker and booklet-maker) on page 959
Plate, grounding (booklet-maker only)	RC2-1356-000CN	Finisher (stapler/stacker and booklet-maker) on page 959
Plate, high-voltage transmission (HVT-A) guard	RC1-9326-000CN	Printer internal components (7 of 7) on page 893
Plate, hinge-stop (booklet-maker only)	4A3-4715-000CN	Finisher (stapler/stacker and booklet-maker) on page 959
Plate, option-tray, front	FC5-6978-000CN	Output bin 1 (stack upper-tray assembly) (stapler/stacker) on page 963
Plate, rotation	4A3-1779-000CN	Saddle assembly (booklet-maker) on page 993

Table 9-85 Alphabetical parts list (continued)

Description	Part number	Table and page
Plate, sensor, front	RC1-9246-000CN	Printer internal components (5 of 7) on page 889
Plate, switch-cover	RC1-9901-000CN	Input-tray main body (1x500-sheet) on page 919
Plate, switch-cover	RC1-9901-000CN	Input-tray main body (3x500-sheet) on page 923
Plate, tension	FF5-5805-040	Saddle assembly (booklet-maker) on page 993
Power-supply assembly	Q3938-67910	Power-supply assembly on page 1053
Power-supply harness	Q3938-67928	Power-supply assembly on page 1053
Press-motor assembly	FM2-1409-000CN	Finisher (stapler/stacker and booklet-maker) on page 959
Pressure-roller assembly	FM2-0730-000CN	Pressure-roller assembly (stapler/stacker and booklet-maker) on page 981
Pulley assembly	Q3938-67909	Pulley assembly on page 1051
Pulley, 16T/gear, 32T	FS6-0815-000CN	Pass lower-guide assembly (booklet-maker) on page 1007
Pulley, 20T	FU5-3086-000CN	Finisher (stapler/stacker and booklet-maker) on page 959
Pulley, 30T	FS5-3576-000CN	Saddle assembly (booklet-maker) on page 993
Pulley, 32T/gear, 16T	FS6-0814-000CN	Pass lower-guide assembly (booklet-maker) on page 1007
Pulley, 39T	FS5-3577-000CN	Saddle assembly (booklet-maker) on page 993
Pulley/gear, 22T	RU5-0868-000CN	Intermediate-feed main body on page 935
Rack, front	FB3-7967-000CN	Saddle assembly (booklet-maker) on page 993
Rack, rail	FC5-5436-000CN	Finisher (stapler/stacker and booklet-maker) on page 959
Rack, rear	FB3-7934-000CN	Saddle assembly (booklet-maker) on page 993
Rail, cassette, left	RL1-1311-000CN	Input-tray main body (1x500-sheet) on page 919
Rail, cassette, left	RL1-1311-000CN	Input-tray main body (3x500-sheet) on page 923
Rail, cassette, right	RL1-1215-000CN	Printer internal components (5 of 7) on page 889
Rail, cassette, right	RL1-1310-000CN	Input-tray main body (1x500-sheet) on page 919

Table 9-85 Alphabetical parts list (continued)

Description	Part number	Table and page
Rail, cassette, right	RL1-1310-000CN	Input-tray main body (3x500-sheet) on page 923
Rail, fixing, front	RC1-8931-000CN	Printer internal components (4 of 7) on page 885
Rail, fixing, rear	RC1-8939-000CN	Printer internal components (4 of 7) on page 885
Rail, left, top	RL1-1213-000CN	Printer internal components (5 of 7) on page 889
Rail, reverse, rear	RC1-9206-000CN	Printer internal components (2 of 7) on page 881
Reader front-guide assembly	RM1-4398-000CN	Printer internal components (2 of 7) on page 881
Reader rear-guide assembly	RM1-4399-000CN	Printer internal components (2 of 7) on page 881
Rear cover	Q3938-67925	Plastic-parts assembly on page 1059
Rear-cover-mount plate assembly	RM1-3354-000CN	Printer internal components (6 of 7) on page 891
Rear-end sensor assembly	FM2-0763-000CN	Saddle assembly (booklet-maker) on page 993
Rear-lower cable	RM1-3618-000CN	Printer internal components (6 of 7) on page 891
Rear-right cover assembly	RM1-4415-000CN	Printer external covers and panels on page 873
Rear-upper cable	RM1-3619-000CN	Printer internal components (6 of 7) on page 891
Reflector foam (white backing)	Q7829-67909	ADF unit on page 1017
Registration 2nd-transfer assembly kit with service document	Q3931-67909	Printer internal components (3 of 7) on page 883
Retainer	RC1-8511-000CN	Printer internal components (3 of 7) on page 883
Retainer	RC1-8511-000CN	Printer multi-purpose paper-pickup assembly on page 903
Return-roller assembly	FM2-0725-090	Return-roller assembly (stapler/stacker and booklet-maker) on page 979
Right-assist assembly	RM1-4397-000CN	Right-assist assembly on page 943
Right-door assembly	RM1-3538-000CN	Input-tray main body (1x500-sheet) on page 919
Right-door assembly	RM1-3537-000CN	Input-tray main body (3x500-sheet) on page 923
Right-door sub-assembly	RM1-3333-000CN	Printer right-door assembly on page 877

Table 9-85 Alphabetical parts list (continued)

Description	Part number	Table and page
Right-lower cover assembly	RL1-1280-000CN	Printer external covers and panels on page 873
Right-side wall assembly	RM1-3239-000CN	Printer internal components (1 of 7) on page 879
Ring, C, external	XD2-3100-152CN	Saddle assembly (booklet-maker) on page 993
Ring, E	XD9-0234-000CN	Printer internal components (4 of 7) on page 885
Ring, E	XD9-0234-000CN	Printer internal components (5 of 7) on page 889
Ring, E	XD9-0136-000CN	Finisher (stapler/stacker and booklet-maker) on page 959
Ring, E	XD9-0136-000CN	Finisher (stapler/stacker and booklet-maker) on page 959
Ring, E	XD9-0137-000CN	Output bin 1 (stack upper-tray assembly) (booklet-maker) on page 967
Rod	Q3938-67911	Main-frame assembly on page 1055
Roller, folding	4A3-1783-000CN	Saddle assembly (booklet-maker) on page 993
Roller, paper-pickup	RL1-1289-000CN	Input-tray paper-pickup assembly on page 931
Roller, rail	RC1-9231-000CN	Input-tray main body (1x500-sheet) on page 919
Roller, rail	RC1-9231-000CN	Input-tray main body (3x500-sheet) on page 923
Roller, tray-guide	RU5-6035-000CN	Output bin 1 (stack upper-tray assembly) (stapler/stacker) on page 963
Roller, tray-guide	FC5-4221-000CN	Output bin 1 (stack upper-tray assembly) (booklet-maker) on page 967
Roller, tray-guide	RU5-6035-000CN	Output bin 1 (stack upper-tray assembly) (booklet-maker) on page 967
Roller, tray-guide	FC5-4221-000CN	Output bin 2 (stack lower-tray assembly) (stapler/stacker and booklet-maker) on page 971
Roller, tray-guide	RU5-6035-000CN	Output bin 2 (stack lower-tray assembly) (stapler/stacker and booklet-maker) on page 971
Rubber glass guide	Q3938-67915	Main-frame assembly on page 1055
Saddle paper-delivery assembly	RM1-4130-000CN	Saddle assembly (booklet-maker) on page 993

Table 9-85 Alphabetical parts list (continued)

Description	Part number	Table and page
Saddle paper-delivery assembly	RM1-4130-000CN	Saddle paper-delivery assembly (booklet-maker) on page 1011
Saddle paper-feeder assembly	RM1-4136-000CN	Saddle paper-feeder assembly (stapler/stacker) on page 1003
Saddle paper-feeder assembly	RM1-4109-000CN	Saddle paper-feeder assembly (booklet-maker) on page 1005
Saddle, wire	WT2-5694-000CN	Printer internal components (4 of 7) on page 885
Saddle, wire	WT2-5694-000CN	Input-tray main body (1x500-sheet) on page 919
Saddle, wire	WT2-5694-000CN	Input-tray main body (3x500-sheet) on page 923
Saddle-controller PCA assembly	RM1-4140-000CN	Saddle assembly (booklet-maker) on page 993
Saddle-controller PCA assembly (booklet-maker)	RM1-4140-000CN	PCA assembly on page 1015
Saddle-guide assembly	FM2-0756-000CN	Saddle assembly (booklet-maker) on page 993
Saddle-guide assembly	FM2-5024-000CN	Saddle-guide assembly (booklet-maker) on page 999
Saddle-motor assembly	FM2-0737-000CN	Saddle paper-feeder assembly (stapler/stacker) on page 1003
Saddle-motor assembly	FM2-0737-000CN	Saddle paper-feeder assembly (booklet-maker) on page 1005
Saddle-stapler assembly	RM1-4178-000CN	Saddle assembly (booklet-maker) on page 993
Saddle-stapler assembly	RM1-4178-000CN	Saddle-stapler assembly (booklet-maker) on page 1001
Scanner assembly kit with 1 scanner assembly and service document	Q3931-67907	Printer internal components (2 of 7) on page 881
Scanner controller board (SCB) fan	Q3938-67937	Fan-system assembly on page 1063
Scanner controller-board (SCB)	Q3938-67902	Scanner controller-board (SCB) assembly on page 1037
Scanner fan	Q3938-67938	Fan-system assembly on page 1063
Scanner-joint cable	RM1-3620-000CN	Printer internal components (6 of 7) on page 891
Screw covers	Q3938-67927	Plastic-parts assembly on page 1059
Screw, B, M4x8	XA9-1277-000CN	Intermediate-feed main body on page 935
Screw, M4x14	XA9-1292-000CN	Intermediate-feed main body on page 935

Table 9-85 Alphabetical parts list (continued)

Description	Part number	Table and page
Screw, machined, truss-head, M3x4	XB1-2300-407CN	Printer internal components (4 of 7) on page 885
Screw, machined, truss-head, M3x4	XB1-2300-407CN	Intermediate-feed main body on page 935
Screw, machined, truss-head, M4x8	XB1-2400-805CN	Printer internal components (7 of 7) on page 893
Screw, RS M3x8	XA9-1500-000CN	Intermediate-feed main body on page 935
Screw, RS stepped, M3	FU9-9059-000CN	Finisher (stapler/stacker and booklet-maker) on page 959
Screw, RS, M13x12	XA9-1801-000CN	Printer internal components (7 of 7) on page 893
Screw, RS, M3x6	XA9-1495-000CN	Printer right-door assembly on page 877
Screw, RS, M3x6	XA9-1495-000CN	Printer internal components (1 of 7) on page 879
Screw, RS, M3x6	XA9-1495-000CN	Printer internal components (2 of 7) on page 881
Screw, RS, M3x6	XA9-1495-000CN	Printer internal components (3 of 7) on page 883
Screw, RS, M3x6	XA9-1495-000CN	Printer internal components (4 of 7) on page 885
Screw, RS, M3x6	XA9-1495-000CN	Printer internal components (4 of 7) on page 885
Screw, RS, M3x6	XA9-1495-000CN	Printer internal components (5 of 7) on page 889
Screw, RS, M3x6	XA9-1495-000CN	Printer internal components (6 of 7) on page 891
Screw, RS, M3x6	XA9-1495-000CN	Printer internal components (6 of 7) on page 891
Screw, RS, M3x6	XA9-1495-000CN	Printer internal components (7 of 7) on page 893
Screw, RS, M3x8	XA9-1504-000CN	Printer internal components (1 of 7) on page 879
Screw, RS, M3x8	XA9-1504-000CN	Printer internal components (2 of 7) on page 881
Screw, RS, M3x8	XA9-1449-000CN	Printer internal components (2 of 7) on page 881
Screw, RS, M3x8	XA9-1504-000CN	Printer internal components (3 of 7) on page 883
Screw, RS, M3x8	XA9-1504-000CN	Printer internal components (4 of 7) on page 885
Screw, RS, M3x8	XA9-1504-000CN	Printer internal components (5 of 7) on page 889

Table 9-85 Alphabetical parts list (continued)

Description	Part number	Table and page
Screw, RS, M3x8	XA9-1449-000CN	Printer internal components (6 of 7) on page 891
Screw, RS, M3x8	XA9-1504-000CN	Printer internal components (7 of 7) on page 893
Screw, RS, M3x8	XA9-1386-000CN	Finisher (stapler/stacker and booklet-maker) on page 959
Screw, RS, M4x8	XA9-1448-000CN	Input-tray main body (1x500-sheet) on page 919
Screw, RS, M4x8	XA9-1448-000CN	Input-tray main body (1x500-sheet) on page 919
Screw, RS, M4x8	XA9-1448-000CN	Input-tray main body (3x500-sheet) on page 923
Screw, RS, M4x8	XA9-1448-000CN	Input-tray main body (3x500-sheet) on page 923
Screw, RS, M4x8 (booklet-maker only)	XA9-0732-000CN	Finisher (stapler/stacker and booklet-maker) on page 959
Screw, stepped	RS5-9099-000CN	Input-tray main body (1x500-sheet) on page 919
Screw, stepped	RS5-9099-000CN	Input-tray main body (3x500-sheet) on page 923
Screw, tapping, pan-head, M4x10	XB4-7401-006CN	Input-tray main body (1x500-sheet) on page 919
Screw, tapping, truss-head, M4X10	XB4-7401-005CN	Printer external covers and panels on page 873
Screw, tapping, truss-head, M4X10	XB4-7401-005CN	Printer right-door assembly on page 877
Screw, tapping, truss-head, M4x10	XB4-7401-005CN	Printer internal components (5 of 7) on page 889
Screw, TP, M3x30	XB6-7303-005CN	Printer internal components (5 of 7) on page 889
Screw, TP, M3x6	XA9-1159-000CN	Printer internal components (4 of 7) on page 885
Screw, TP, M3x6	XA9-1469-000CN	Input-tray main body (1x500-sheet) on page 919
Screw, TP, M3x6	XA9-1469-000CN	Input-tray main body (3x500-sheet) on page 923
Screw, TP, M3x6 (booklet-maker only)	XB6-7300-607CN	Finisher (stapler/stacker and booklet-maker) on page 959
Screw, with washer, M3x6	XB2-8300-607CN	Printer internal components (4 of 7) on page 885
Screw, with washer, M3x6	XB2-8300-607CN	Input-tray main body (1x500-sheet) on page 919
Screw, with washer, M3x6	XB2-8300-607CN	Input-tray main body (3x500-sheet) on page 923

Table 9-85 Alphabetical parts list (continued)

Description	Part number	Table and page
Screw, with washer, M3x6	XB2-8300-607CN	Intermediate-feed main body on page 935
Screw, with washer, M4X12	XA9-1422-000CN	Printer right-door assembly on page 877
Screw, with washer, M5x12	XA9-0912-000CN	Input-tray main body (1x500-sheet) on page 919
Screw, with washer, M5x12	XA9-0912-000CN	Input-tray main body (3x500-sheet) on page 923
Screw, with washer, M5x12	XA9-0912-000CN	Finisher (stapler/stacker and booklet-maker) on page 959
SCUID board	Q3938-67941	Havic assembly on page 1065
Sensor base	Q3938-67914	Main-frame assembly on page 1055
Sensor unit, humidity	RK2-2376-000CN	Printer internal components (2 of 7) on page 881
Sensor/switch assembly	FM2-1417-000CN	Finisher (stapler/stacker and booklet-maker) on page 959
Separation-floor assembly	Q3938-67949	Separation-floor assembly on page 1031
Separation-pad assembly (part of the ADF maintenance kit)	Q3938-67949	Separation-pad assembly on page 1029
Shaft, lock	RC1-9912-000CN	Input-tray main body (1x500-sheet) on page 919
Shaft, lock	RC1-9912-000CN	Input-tray main body (3x500-sheet) on page 923
Sheet, blanking	RC1-9687-000CN	Intermediate-feed main body on page 935
Sheet, entrance-guide	FC5-5542-000CN	Finisher (stapler/stacker and booklet-maker) on page 959
Sheet, fixing-crossmember	RC1-9232-000CN	Printer internal components (2 of 7) on page 881
Shutter H.P. sensor assembly	FM2-1401-000CN	Finisher (stapler/stacker and booklet-maker) on page 959
Side-cover assembly	RM1-3683-000CN	Intermediate-feed main body on page 935
Small-pin assembly	Q3938-67904	Small-pin assembly on page 1041
Solenoid	FL2-0821-000CN	Finisher (stapler/stacker and booklet-maker) on page 959
Spring, leaf	RC1-9233-000CN	Printer internal components (1 of 7) on page 879
Spring, tension	RU5-2822-000CN	Printer internal components (2 of 7) on page 881

Table 9-85 Alphabetical parts list (continued)

Description	Part number	Table and page
Spring, tension	RU5-2796-000CN	Printer internal components (5 of 7) on page 889
Spring, tension	4S3-2116-000CN	Saddle assembly (booklet-maker) on page 993
Spring, tension	4S3-2117-000CN	Saddle assembly (booklet-maker) on page 993
Spring, tension	FS6-2582-000CN	Saddle assembly (booklet-maker) on page 993
Spring, torsion	RU5-2825-000CN	Printer internal components (2 of 7) on page 881
Spring, torsion	RC1-9244-000CN	Printer internal components (5 of 7) on page 889
Spring, torsion	FC5-5005-000CN	External panels and covers (stapler/stacker) on page 951
Spring, torsion	FC5-5005-000CN	External panels and covers (booklet-maker) on page 953
Spring, torsion	FC5-6857-000CN	Swing-guide assembly (stapler/stacker and booklet-maker) on page 983
Spring, torsion	FB3-7980-000CN	Saddle assembly (booklet-maker) on page 993
Stack lower-tray assembly	RM1-4105-000CN	Output bin 2 (stack lower-tray assembly) (stapler/stacker and booklet-maker) on page 971
Stack sub-tray assembly	RM1-4115-000CN	Top output bin (stack sub-tray assembly) (stapler/stacker) on page 973
Stack upper-tray assembly	RM1-4101-000CN	Output bin 1 (stack upper-tray assembly) (stapler/stacker) on page 963
Stack upper-tray assembly	RM1-4102-000CN	Output bin 1 (stack upper-tray assembly) (booklet-maker) on page 967
Stack-ejection motor assembly	4G3-0769-000CN	Finisher (stapler/stacker and booklet-maker) on page 959
Stack-tray assembly	RM1-4104-000CN	Output bin 1 (stack upper-tray assembly) (booklet-maker) on page 967
Stack-tray assembly	RM1-4104-000CN	Output bin 2 (stack lower-tray assembly) (stapler/stacker and booklet-maker) on page 971
Staple assembly	FM2-0721-000CN	Staple assembly (stapler/stacker and booklet-maker) on page 987
Stapler sub-assembly	FM2-0722-000CN	Staple assembly (stapler/stacker and booklet-maker) on page 987

Table 9-85 Alphabetical parts list (continued)

Description	Part number	Table and page
Stapler unit	FL2-0846-000CN	Saddle-stapler assembly (booklet-maker) on page 1001
Stapler/stacker whole unit	CC517A (product number)	Stapler/stacker unit on page 946
Stock-box assembly	RM1-3539-000CN	Input-tray main body (1x500-sheet) on page 919
Stopper, right-door	RC1-9882-000CN	Input-tray main body (1x500-sheet) on page 919
Stopper, right-door	RC1-9882-000CN	Input-tray main body (3x500-sheet) on page 923
Support, lock-shaft	RC1-9900-000CN	Input-tray main body (1x500-sheet) on page 919
Support, lock-shaft	RC1-9900-000CN	Input-tray main body (3x500-sheet) on page 923
Support, PCA	VT2-0001-008CN	Input-tray main body (1x500-sheet) on page 919
Support, PCA	VT2-001-008CN	Input-tray main body (3x500-sheet) on page 923
Swing-guide assembly	RM1-4108-000CN	Swing-guide assembly (stapler/stacker and booklet-maker) on page 983
Swing-press shaft assembly	FM2-1423-000CN	Finisher (stapler/stacker and booklet-maker) on page 959
Switch, button	WC2-5512-000CN	Input-tray main body (1x500-sheet) on page 919
Switch, button	WC2-5512-000CN	Input-tray main body (3x500-sheet) on page 923
Switchback-cover assembly	RM1-4408-000CN	Printer external covers and panels on page 873
T2 guide-arm assembly	RM1-4411-000CN	Printer internal components (7 of 7) on page 893
Tag PCA-holder assembly	RM1-4402-000CN	Printer internal components (4 of 7) on page 885
Tape, door	RC1-9884-000CN	Input-tray main body (1x500-sheet) on page 919
Tape, door	RC1-9884-000CN	Input-tray main body (3x500-sheet) on page 923
Thermistor unit	RK2-1363-000CN	Printer internal components (2 of 7) on page 881
Thermopile case assembly	RM1-3232-000CN	Printer internal components (2 of 7) on page 881
Timing belt	Q3938-67935	Transmission assembly on page 1061
Toner-cartridge drive-assembly kit with service document	Q3931-67912	Printer internal components (4 of 7) on page 885

Table 9-85 Alphabetical parts list (continued)

Description	Part number	Table and page
Toner-cartridge drive-assembly kit with service document	Q3931-67913	Printer internal components (4 of 7) on page 885
Toner-motor cable	RM1-3383-000CN	Printer internal components (4 of 7) on page 885
Toner-motor cable	RM1-3385-000CN	Printer internal components (4 of 7) on page 885
Top cover	Q3938-67924	Plastic-parts assembly on page 1059
Top-cover assembly	RL1-1284-000CN	Printer internal components (1 of 7) on page 879
Top-door (upper-cover) assembly	RM1-4121-000CN	External panels and covers (stapler/stacker) on page 951
Top-door (upper-cover) assembly	RM1-4121-000CN	External panels and covers (booklet-maker) on page 953
Transfer contact-holder assembly	RM1-3230-000CN	Printer internal components (1 of 7) on page 879
Tray 1 pickup, retard-roller kit	Q3931-67920	Printer multi-purpose paper-pickup assembly on page 903
Tray 2 pickup, feed-roller kit	Q3931-67919	Printer cassette paper-pickup assembly on page 901
Tray, screw	RC1-9256-000CN	Printer internal components (6 of 7) on page 891
Tray-driver PCA assembly	FG3-2887-000CN	Output bin 1 (stack upper-tray assembly) (booklet-maker) on page 967
Tray-driver PCA assembly	FG3-2887-000CN	Output bin 2 (stack lower-tray assembly) (stapler/stacker and booklet-maker) on page 971
Tray-input assembly	Q3938-67950	ADF unit on page 1017
Upper delivery-guide assembly	RM1-4131-000CN	Saddle assembly (booklet-maker) on page 993
Upper-cover lock assembly	4G3-0210-000CN	Finisher (stapler/stacker and booklet-maker) on page 959
Upper-crossmember assembly	RM1-4180-000CN	Finisher (stapler/stacker and booklet-maker) on page 959
Upper-guide assembly	RM1-4395-000CN	Intermediate-feed upper-guide assembly on page 939
Upper-left cover	Q3938-67920	Plastic-parts assembly on page 1059
Upper-right cover	Q3938-67922	Plastic-parts assembly on page 1059
Waste-toner-sensor cable	RM1-3640-000CN	Printer internal components (6 of 7) on page 891
Window, LED	RC2-1734-000CN	External panels and covers (booklet-maker) on page 953

Numerical parts list

Table 9-86 Numerical parts list

Part number	Description	Table and page
4A3-1763-000CN	Arm, adjustment, front	Saddle assembly (booklet-maker) on page 993
4A3-1764-000CN	Arm, adjustment, rear	Saddle assembly (booklet-maker) on page 993
4A3-1779-000CN	Plate, rotation	Saddle assembly (booklet-maker) on page 993
4A3-1782-000CN	Lever, stopper	Saddle assembly (booklet-maker) on page 993
4A3-1783-000CN	Roller, folding	Saddle assembly (booklet-maker) on page 993
4A3-1955-000CN	Plate, grounding (booklet-maker only)	Finisher (stapler/stacker and booklet-maker) on page 959
4A3-4715-000CN	Plate, hinge-stop (booklet-maker only)	Finisher (stapler/stacker and booklet-maker) on page 959
4G1-1498-000CN	Area-sensor PCA assembly	Output bin 1 (stack upper-tray assembly) (stapler/stacker) on page 963
4G1-1498-000CN	Area-sensor PCA assembly	Output bin 1 (stack upper-tray assembly) (booklet-maker) on page 967
4G1-1498-000CN	Area-sensor PCA assembly	Output bin 2 (stack lower-tray assembly) (stapler/stacker and booklet-maker) on page 971
4G1-2283-000CN	Cable, saddle-unit	Saddle assembly (booklet-maker) on page 993
4G1-2285-000CN	Cable, sensor	Saddle-tray assembly (booklet-maker) on page 997
4G3-0210-000CN	Upper-cover lock assembly	Finisher (stapler/stacker and booklet-maker) on page 959
4G3-0271-000CN	Link-slide assembly	External panels and covers (stapler/stacker) on page 951
4G3-0271-000CN	Link-slide assembly	External panels and covers (booklet-maker) on page 953
4G3-0670-000CN	Motor-mount assembly	Saddle assembly (booklet-maker) on page 993
4G3-0670-000CN	Motor-mount assembly	Motor-mount assembly (booklet-maker) on page 1013
4G3-0671-000CN	Inner side-plate assembly	Saddle assembly (booklet-maker) on page 993
4G3-0671-000CN	Inner side-plate assembly	Inner side-plate assembly (booklet-maker) on page 1009

Table 9-86 Numerical parts list (continued)

Part number	Description	Table and page
4G3-0725-000CN	Guide-motor assembly	Saddle assembly (booklet-maker) on page 993
4G3-0769-000CN	Stack-ejection motor assembly	Finisher (stapler/stacker and booklet-maker) on page 959
4G3-0934-000CN	Paper-face sensor assembly	External panels and covers (stapler/stacker) on page 951
4G3-0934-000CN	Paper-face sensor assembly	External panels and covers (booklet-maker) on page 953
4G3-1624-000CN	Paper-face sensing assembly	External panels and covers (stapler/stacker) on page 951
4G3-1624-000CN	Paper-face sensing assembly	External panels and covers (booklet-maker) on page 953
4G3-1777-000CN	Cable, staple-connecting assembly	Staple assembly (stapler/stacker and booklet-maker) on page 987
4H3-0370-000CN	Clutch, electromagnetic	Finisher (stapler/stacker and booklet-maker) on page 959
4K1-1103-000CN	Motor, stepping	Pass lower-guide assembly (booklet-maker) on page 1007
4S3-0171-000CN	Gear, 50T	Saddle assembly (booklet-maker) on page 993
4S3-1050-000CN	Bearing, ball, 6902ZZNR	Saddle assembly (booklet-maker) on page 993
4S3-2116-000CN	Spring, tension	Saddle assembly (booklet-maker) on page 993
4S3-2117-000CN	Spring, tension	Saddle assembly (booklet-maker) on page 993
C8091-67901	5000-staple replacement cartridge	Staple assembly (stapler/stacker and booklet-maker) on page 987
C8091-67901	5000-staple replacement cartridge	Saddle-stapler assembly (booklet-maker) on page 1001
CC383-67901	2000-staple cartridge (for booklet making)	Staple assembly (stapler/stacker and booklet-maker) on page 987
CC383-67901	2000-staple cartridge (for booklet making)	Saddle-stapler assembly (booklet-maker) on page 1001
CC516A (product number)	Booklet-maker (multi-function finisher) whole unit	Booklet-maker unit on page 949
CC517A (product number)	Stapler/stacker whole unit	Stapler/stacker unit on page 946
FB3-7881-000CN	Knob (booklet-maker only)	Finisher (stapler/stacker and booklet-maker) on page 959
FB3-7925-030CN	Flag, roller	Saddle assembly (booklet-maker) on page 993

Table 9-86 Numerical parts list (continued)

Part number	Description	Table and page
FB3-7928-020CN	Deflector	Saddle assembly (booklet-maker) on page 993
FB3-7934-000CN	Rack, rear	Saddle assembly (booklet-maker) on page 993
FB3-7967-000CN	Rack, front	Saddle assembly (booklet-maker) on page 993
FB3-7973-000CN	Holder, roller, 2	Saddle assembly (booklet-maker) on page 993
FB3-7979-000CN	Flag, sensor	Saddle assembly (booklet-maker) on page 993
FB3-7980-000CN	Spring, torsion	Saddle assembly (booklet-maker) on page 993
FB5-2697-000CN	Deflector	Saddle assembly (booklet-maker) on page 993
FB5-5937-020CN	Flag, sensor	Saddle assembly (booklet-maker) on page 993
FC5-3657-000CN	Limiter, torque	Finisher (stapler/stacker and booklet-maker) on page 959
FC5-4162-000CN	Flag, paper-face sensing, upper	External panels and covers (stapler/stacker) on page 951
FC5-4221-000CN	Roller, tray-guide	Output bin 1 (stack upper-tray assembly) (booklet-maker) on page 967
FC5-4221-000CN	Roller, tray-guide	Output bin 2 (stack lower-tray assembly) (stapler/stacker and booklet-maker) on page 971
FC5-4991-030CN	Hinge, front-door, 1	Finisher (stapler/stacker and booklet-maker) on page 959
FC5-4992-030CN	Hinge, front-door, 2	Finisher (stapler/stacker and booklet-maker) on page 959
FC5-5004-000CN	Flag, paper-sensing sensor	External panels and covers (stapler/stacker) on page 951
FC5-5004-000CN	Flag, paper-sensing sensor	External panels and covers (booklet-maker) on page 953
FC5-5005-000CN	Spring, torsion	External panels and covers (stapler/stacker) on page 951
FC5-5005-000CN	Spring, torsion	External panels and covers (booklet-maker) on page 953
FC5-5021-000CN	Claw, latch, right	Saddle assembly (booklet-maker) on page 993
FC5-5024-000CN	Knob, latch	Saddle-guide assembly (booklet-maker) on page 999
FC5-5436-000CN	Rack, rail	Finisher (stapler/stacker and booklet-maker) on page 959

Table 9-86 Numerical parts list (continued)

Part number	Description	Table and page
FC5-5542-000CN	Sheet, entrance-guide	Finisher (stapler/stacker and booklet-maker) on page 959
FC5-6857-000CN	Spring, torsion	Swing-guide assembly (stapler/stacker and booklet-maker) on page 983
FC5-6978-000CN	Plate, option-tray, front	Output bin 1 (stack upper-tray assembly) (stapler/stacker) on page 963
FF5-5805-040	Plate, tension	Saddle assembly (booklet-maker) on page 993
FG3-2887-000CN	Tray-driver PCA assembly	Output bin 1 (stack upper-tray assembly) (booklet-maker) on page 967
FG3-2887-000CN	Tray-driver PCA assembly	Output bin 2 (stack lower-tray assembly) (stapler/stacker and booklet-maker) on page 971
FG3-2892-000CN	Cable, solenoid	Finisher (stapler/stacker and booklet-maker) on page 959
FG3-2903-000CN	Cable, operation-tray	Operation-tray assembly (stapler/stacker and booklet-maker) on page 975
FL2-0821-000CN	Solenoid	Finisher (stapler/stacker and booklet-maker) on page 959
FL2-0846-000CN	Stapler unit	Saddle-stapler assembly (booklet-maker) on page 1001
FM2-0707-000CN	Paper-sensor assembly	Output bin 1 (stack upper-tray assembly) (stapler/stacker) on page 963
FM2-0707-000CN	Paper-sensor assembly	Output bin 1 (stack upper-tray assembly) (booklet-maker) on page 967
FM2-0707-000CN	Paper-sensor assembly	Output bin 2 (stack lower-tray assembly) (stapler/stacker and booklet-maker) on page 971
FM2-0709-000CN	Area-sensor holder assembly	Output bin 1 (stack upper-tray assembly) (stapler/stacker) on page 963
FM2-0709-000CN	Area-sensor holder assembly	Output bin 1 (stack upper-tray assembly) (booklet-maker) on page 967
FM2-0709-000CN	Area-sensor holder assembly	Output bin 2 (stack lower-tray assembly) (stapler/stacker and booklet-maker) on page 971
FM2-0710-000CN	Approach-switch assembly	Output bin 1 (stack upper-tray assembly) (booklet-maker) on page 967
FM2-0718-000CN	Entrance-sensor flag assembly	Finisher (stapler/stacker and booklet-maker) on page 959

Table 9-86 Numerical parts list (continued)

Part number	Description	Table and page
FM2-0720-000CN	Flexible-cable mount assembly	Finisher (stapler/stacker and booklet-maker) on page 959
FM2-0721-000CN	Staple assembly	Staple assembly (stapler/stacker and booklet-maker) on page 987
FM2-0722-000CN	Stapler sub-assembly	Staple assembly (stapler/stacker and booklet-maker) on page 987
FM2-0725-090	Return-roller assembly	Return-roller assembly (stapler/stacker and booklet-maker) on page 979
FM2-0730-000CN	Pressure-roller assembly	Pressure-roller assembly (stapler/stacker and booklet-maker) on page 981
FM2-0737-000CN	Saddle-motor assembly	Saddle paper-feeder assembly (stapler/stacker) on page 1003
FM2-0737-000CN	Saddle-motor assembly	Saddle paper-feeder assembly (booklet-maker) on page 1005
FM2-0756-000CN	Saddle-guide assembly	Saddle assembly (booklet-maker) on page 993
FM2-0763-000CN	Rear-end sensor assembly	Saddle assembly (booklet-maker) on page 993
FM2-1401-000CN	Shutter H.P. sensor assembly	Finisher (stapler/stacker and booklet-maker) on page 959
FM2-1409-000CN	Press-motor assembly	Finisher (stapler/stacker and booklet-maker) on page 959
FM2-1417-000CN	Sensor/switch assembly	Finisher (stapler/stacker and booklet-maker) on page 959
FM2-1423-000CN	Swing-press shaft assembly	Finisher (stapler/stacker and booklet-maker) on page 959
FM2-1639-000CN	Delivery-switch mount assembly	Saddle assembly (booklet-maker) on page 993
FM2-1708-000CN	Option-sensor assembly	Output bin 1 (stack upper-tray assembly) (stapler/stacker) on page 963
FM2-5024-000CN	Saddle-guide assembly	Saddle-guide assembly (booklet-maker) on page 999
FS5-3576-000CN	Pulley, 30T	Saddle assembly (booklet-maker) on page 993
FS5-3577-000CN	Pulley, 39T	Saddle assembly (booklet-maker) on page 993
FS6-0814-000CN	Pulley, 32T/gear, 16T	Pass lower-guide assembly (booklet-maker) on page 1007
FS6-0815-000CN	Pulley, 16T/gear, 32T	Pass lower-guide assembly (booklet-maker) on page 1007

Table 9-86 Numerical parts list (continued)

Part number	Description	Table and page
FS6-0822-000CN	Gear, 16T/33T	Saddle assembly (booklet-maker) on page 993
FS6-0823-000CN	Gear, 16T	Saddle assembly (booklet-maker) on page 993
FS6-0829-000CN	Gear, 16T/56T	Saddle assembly (booklet-maker) on page 993
FS6-0830-000CN	Gear, 16T	Saddle assembly (booklet-maker) on page 993
FS6-2582-000CN	Spring, tension	Saddle assembly (booklet-maker) on page 993
FU5-0428-000CN	Gear, 30T	Finisher (stapler/stacker and booklet-maker) on page 959
FU5-0435-000CN	Gear, 44T	Output bin 1 (stack upper-tray assembly) (stapler/stacker) on page 963
FU5-0435-000CN	Gear, 44T	Output bin 1 (stack upper-tray assembly) (booklet-maker) on page 967
FU5-0435-000CN	Gear, 44T	Output bin 2 (stack lower-tray assembly) (stapler/stacker and booklet-maker) on page 971
FU5-0454-000CN	Gear, 40T	Finisher (stapler/stacker and booklet-maker) on page 959
FU5-0457-000CN	Gear, 17T	Output bin 1 (stack upper-tray assembly) (booklet-maker) on page 967
FU5-0457-000CN	Gear, 17T	Output bin 2 (stack lower-tray assembly) (stapler/stacker and booklet-maker) on page 971
FU5-1169-000CN	Bushing	Output bin 2 (stack lower-tray assembly) (stapler/stacker and booklet-maker) on page 971
FU5-2399-000CN	Gear, 29T	Finisher (stapler/stacker and booklet-maker) on page 959
FU5-3086-000CN	Pulley, 20T	Finisher (stapler/stacker and booklet-maker) on page 959
FU9-9059-000CN	Screw, RS stepped, M3	Finisher (stapler/stacker and booklet-maker) on page 959
Q3931-67907	Scanner assembly kit with 1 scanner assembly and service document	Printer internal components (2 of 7) on page 881
Q3931-67908	Intermediate transfer belt (ITB) assembly kit	Printer internal components (3 of 7) on page 883
Q3931-67909	Registration 2nd-transfer assembly kit with service document	Printer internal components (3 of 7) on page 883
Q3931-67910	2nd-transfer-roller assembly kit	Printer internal components (3 of 7) on page 883

Table 9-86 Numerical parts list (continued)

Part number	Description	Table and page
Q3931-67911	Main drive-unit kit	Printer internal components (4 of 7) on page 885
Q3931-67912	Toner-cartridge drive-assembly kit with service document	Printer internal components (4 of 7) on page 885
Q3931-67913	Toner-cartridge drive-assembly kit with service document	Printer internal components (4 of 7) on page 885
Q3931-67914	Fixing assembly kit, 110-127V, with air filter (air filter is Ref 14 in Printer external panels and covers)	Printer internal components (4 of 7) on page 885
Q3931-67915	Fixing assembly kit, 220-240V, with air filter (air filter is Ref 14 in Printer external panels and covers)	Printer internal components (4 of 7) on page 885
Q3931-67917	Cartridge-interface assembly kit with service document	Printer internal components (7 of 7) on page 893
Q3931-67918	Cassette-assembly kit with service document	Printer cassette on page 899
Q3931-67919	Tray 2 pickup, feed-roller kit	Printer cassette paper-pickup assembly on page 901
Q3931-67920	Tray 1 pickup, retard-roller kit	Printer multi-purpose paper-pickup assembly on page 903
Q3938-60132	Entire scanner without power supply, boards, and cable	Scanner unit on page 1033
Q3938-67901	Carriage assembly	Carriage assembly on page 1035
Q3938-67902	Scanner controller-board (SCB)	Scanner controller-board (SCB) assembly on page 1037
Q3938-67903	Large-pin assembly	Large-pin assembly on page 1039
Q3938-67904	Small-pin assembly	Small-pin assembly on page 1041
Q3938-67905	Inverter assembly	Inverter assembly on page 1043
Q3938-67906	Glass assembly	Glass assembly on page 1045
Q3938-67907	Lid-sensor assembly	Lid-sensor assembly on page 1047
Q3938-67908	Motor assembly	Motor assembly on page 1049
Q3938-67909	Pulley assembly	Pulley assembly on page 1051
Q3938-67910	Power-supply assembly	Power-supply assembly on page 1053
Q3938-67911	Rod	Main-frame assembly on page 1055
Q3938-67912	Flat cable, 28, 940, A	Main-frame assembly on page 1055
Q3938-67913	Flat cable, 28, 970, B	Main-frame assembly on page 1055
Q3938-67914	Sensor base	Main-frame assembly on page 1055

Table 9-86 Numerical parts list (continued)

Part number	Description	Table and page
Q3938-67915	Rubber glass guide	Main-frame assembly on page 1055
Q3938-67920	Upper-left cover	Plastic-parts assembly on page 1059
Q3938-67921	Lower-left cover	Plastic-parts assembly on page 1059
Q3938-67922	Upper-right cover	Plastic-parts assembly on page 1059
Q3938-67923	Lower-right cover	Plastic-parts assembly on page 1059
Q3938-67924	Top cover	Plastic-parts assembly on page 1059
Q3938-67925	Rear cover	Plastic-parts assembly on page 1059
Q3938-67926	Front cover	Plastic-parts assembly on page 1059
Q3938-67927	Screw covers	Plastic-parts assembly on page 1059
Q3938-67928	Power-supply harness	Power-supply assembly on page 1053
Q3938-67935	Timing belt	Transmission assembly on page 1061
Q3938-67937	Scanner controller board (SCB) fan	Fan-system assembly on page 1063
Q3938-67938	Scanner fan	Fan-system assembly on page 1063
Q3938-67939	Control-panel fan	Fan-system assembly on page 1063
Q3938-67940	Copy processor board (CPB)	Havic assembly on page 1065
Q3938-67941	SCUID board	Havic assembly on page 1065
Q3938-67942	PCIe cable	Havic assembly on page 1065
Q3938-67943	Automatic document feeder (ADF) whole unit	ADF unit on page 1017
Q3938-67944	Maintenance kit	ADF unit on page 1017
Q3938-67945	End cover (cap) back	ADF unit on page 1017
Q3938-67946	End cover (cap) front assembly	Front-end cover on page 1019
Q3938-67948	Cable, ADF to scanner	ADF unit on page 1017
Q3938-67949	Separation-pad assembly (part of the ADF maintenance kit)	Separation-pad assembly on page 1029
Q3938-67949	Separation-floor assembly	Separation-floor assembly on page 1031
Q3938-67950	Tray-input assembly	ADF unit on page 1017

Table 9-86 Numerical parts list (continued)

Part number	Description	Table and page
Q3938-67951	Flag sensor LS	ADF unit on page 1017
Q3938-67952	Hinge assembly	Hinge assembly on page 1021
Q3938-67953	Diverter	Backbone assembly on page 1023
Q3938-67954	Cover pick roller	Jam-cover assembly on page 1025
Q3938-67954	Cover pick roller (part of the ADF maintenance kit)	Pickup-roller assembly on page 1027
Q3938-67970	Jam-cover assembly	Jam-cover assembly on page 1025
Q7559A (module only) or Q3931-67904 (service kit)	512 MB image scanner memory DIMM	Havic assembly on page 1065
Q7829-67903	PCA motor assembly	ADF unit on page 1017
Q7829-67909	Reflector foam (white backing)	ADF unit on page 1017
Q7829-67914	Photo interrupter with connector	ADF unit on page 1017
Q7829-67914	Photo interrupter with connector	Backbone assembly on page 1023
Q7829-67917	Float assembly	Backbone assembly on page 1023
RC1-4585-000CN	Bushing	Intermediate-feed main body on page 935
RC1-5949-000CN	Duplexing-tray lower assembly	Printer external covers and panels on page 873
RC1-5953-000CN	Front internal small-cover assembly	Printer external covers and panels on page 873
RC1-8511-000CN	Retainer	Printer internal components (3 of 7) on page 883
RC1-8511-000CN	Retainer	Printer multi-purpose paper-pickup assembly on page 903
RC1-8519-000CN	Limiter, torque	Printer multi-purpose paper-pickup assembly on page 903
RC1-8526-000CN	Guide, multi-purpose, upper	Printer multi-purpose paper-pickup assembly on page 903
RC1-8527-000CN	Cover, multi-purpose blanking	Printer right-door assembly on page 877
RC1-8734-000CN	Bushing	Printer internal components (3 of 7) on page 883
RC1-8925-000CN	Damper, gear	Printer internal components (4 of 7) on page 885
RC1-8928-000CN	Lever, paper-sensing	Printer internal components (5 of 7) on page 889

Table 9-86 Numerical parts list (continued)

Part number	Description	Table and page
RC1-8931-000CN	Rail, fixing, front	Printer internal components (4 of 7) on page 885
RC1-8939-000CN	Rail, fixing, rear	Printer internal components (4 of 7) on page 885
RC1-8959-000CN	Guide, face-down inner	Printer internal components (2 of 7) on page 881
RC1-8961-000CN	Duct, air	Printer internal components (4 of 7) on page 885
RC1-8964-000CN	Duct, face-down joint	Printer internal components (4 of 7) on page 885
RC1-9043-000CN	Band, door	Printer front-door assembly on page 875
RC1-9185-000CN	Guide, intermediate transfer belt (ITB)-entrance, front	Printer internal components (3 of 7) on page 883
RC1-9186-000CN	Guide, intermediate transfer belt (ITB)-entrance, rear	Printer internal components (3 of 7) on page 883
RC1-9189-000CN	Arm, 1st-estrangement	Printer internal components (3 of 7) on page 883
RC1-9190-000CN	Plate, fan-fixing, front	Printer internal components (5 of 7) on page 889
RC1-9201-000CN	Cover, cassette back-end	Printer internal components (5 of 7) on page 889
RC1-9206-000CN	Rail, reverse, rear	Printer internal components (2 of 7) on page 881
RC1-9208-000CN	Foot, rubber	Printer internal components (6 of 7) on page 891
RC1-9211-000CN	Cover, main-switch	Printer internal components (7 of 7) on page 893
RC1-9220-000CN	Lever, door-interlock shutter	Printer internal components (5 of 7) on page 889
RC1-9231-000CN	Roller, rail	Input-tray main body (1x500-sheet) on page 919
RC1-9231-000CN	Roller, rail	Input-tray main body (3x500-sheet) on page 923
RC1-9232-000CN	Sheet, fixing-crossmember	Printer internal components (2 of 7) on page 881
RC1-9233-000CN	Spring, leaf	Printer internal components (1 of 7) on page 879
RC1-9235-000CN	Plate, drawer-guard	Printer internal components (5 of 7) on page 889
RC1-9244-000CN	Spring, torsion	Printer internal components (5 of 7) on page 889
RC1-9246-000CN	Plate, sensor, front	Printer internal components (5 of 7) on page 889

Table 9-86 Numerical parts list (continued)

Part number	Description	Table and page
RC1-9256-000CN	Tray, screw	Printer internal components (6 of 7) on page 891
RC1-9260-000CN	Holder, scanner-thermistors	Printer internal components (2 of 7) on page 881
RC1-9276-000CN	Duct, cartridge	Printer internal components (4 of 7) on page 885
RC1-9277-000CN	Holder, cartridge-fan	Printer internal components (4 of 7) on page 885
RC1-9278-000CN	Holder, fixing-fan	Printer internal components (4 of 7) on page 885
RC1-9279-000CN	Holder, scanner-fan	Printer internal components (4 of 7) on page 885
RC1-9300-000CN	Button, main-switch	Printer internal components (7 of 7) on page 893
RC1-9306-000CN	Guide, cable, A	Printer internal components (7 of 7) on page 893
RC1-9307-000CN	Guide, cable, B	Printer internal components (6 of 7) on page 891
RC1-9308-000CN	Guide, cable, C	Printer internal components (6 of 7) on page 891
RC1-9309-000CN	Duct, scanner-fan	Printer internal components (4 of 7) on page 885
RC1-9312-000CN	Guide, cable, D	Printer internal components (6 of 7) on page 891
RC1-9313-000CN	Filter unit, air	Printer external covers and panels on page 873
RC1-9318-000CN	Guide, cable, E	Printer internal components (6 of 7) on page 891
RC1-9323-000CN	Guide, cable, F	Printer internal components (7 of 7) on page 893
RC1-9324-000CN	Holder, environment-sensor	Printer internal components (2 of 7) on page 881
RC1-9326-000CN	Plate, high-voltage transmission (HVT-A) guard	Printer internal components (7 of 7) on page 893
RC1-9328-000CN	Holder, high-voltage-connector	Printer internal components (7 of 7) on page 893
RC1-9332-000CN	Guide, fixing-cable	Printer internal components (7 of 7) on page 893
RC1-9334-000CN	Duct, scanner	Printer internal components (2 of 7) on page 881
RC1-9336-000CN	Cover, left	Printer external covers and panels on page 873
RC1-9344-000CN	Cover, rear-left	Printer external covers and panels on page 873

Table 9-86 Numerical parts list (continued)

Part number	Description	Table and page
RC1-9348-000CN	Cover, internal, right	Printer internal components (3 of 7) on page 883
RC1-9350-000CN	Cover, front, upper	Printer external covers and panels on page 873
RC1-9351-000CN	Cover, paper-delivery	Printer external covers and panels on page 873
RC1-9360-000CN	Cover, face-down drive	Printer external covers and panels on page 873
RC1-9511-000CN	Cover, motor	Printer right-door assembly on page 877
RC1-9620-000CN	Flange, pulley	Intermediate-feed main body on page 935
RC1-9674-000CN	Belt, paper-feed, cogged	Intermediate-feed main body on page 935
RC1-9687-000CN	Sheet, blanking	Intermediate-feed main body on page 935
RC1-9688-000CN	Guide, cable, 2	Intermediate-feed main body on page 935
RC1-9695-000CN	Plate, assist-arm cap	Intermediate-feed main body on page 935
RC1-9703-000CN	Cover, rear-upper	Intermediate-feed main body on page 935
RC1-9705-000CN	Cover, assist, left	Intermediate-feed main body on page 935
RC1-9706-000CN	Cover, assist, right	Intermediate-feed main body on page 935
RC1-9871-000CN	Cover, rear	Input-tray main body (1x500-sheet) on page 919
RC1-9871-000CN	Cover, rear	Input-tray main body (3x500-sheet) on page 923
RC1-9872-000CN	Cover, left	Input-tray main body (1x500-sheet) on page 919
RC1-9872-000CN	Cover, left	Input-tray main body (3x500-sheet) on page 923
RC1-9873-000CN	Cover, front-upper	Input-tray main body (1x500-sheet) on page 919
RC1-9873-000CN	Cover, front-upper	Input-tray main body (3x500-sheet) on page 923
RC1-9874-000CN	Cover, right-lower	Input-tray main body (1x500-sheet) on page 919
RC1-9874-000CN	Cover, right-lower	Input-tray main body (3x500-sheet) on page 923
RC1-9881-000CN	Guide, paper-feed roller	Input-tray main body (1x500-sheet) on page 919

Table 9-86 Numerical parts list (continued)

Part number	Description	Table and page
RC1-9881-000CN	Guide, paper-feed roller	Input-tray main body (3x500-sheet) on page 923
RC1-9882-000CN	Stopper, right-door	Input-tray main body (1x500-sheet) on page 919
RC1-9882-000CN	Stopper, right-door	Input-tray main body (3x500-sheet) on page 923
RC1-9883-000CN	Lever, lock	Input-tray main body (1x500-sheet) on page 919
RC1-9883-000CN	Lever, lock	Input-tray main body (3x500-sheet) on page 923
RC1-9884-000CN	Tape, door	Input-tray main body (1x500-sheet) on page 919
RC1-9884-000CN	Tape, door	Input-tray main body (3x500-sheet) on page 923
RC1-9896-000CN	Caster, double-lock, front	Input-tray main body (1x500-sheet) on page 919
RC1-9896-000CN	Caster, double-lock, front	Input-tray main body (3x500-sheet) on page 923
RC1-9900-000CN	Support, lock-shaft	Input-tray main body (1x500-sheet) on page 919
RC1-9900-000CN	Support, lock-shaft	Input-tray main body (3x500-sheet) on page 923
RC1-9901-000CN	Plate, switch-cover	Input-tray main body (1x500-sheet) on page 919
RC1-9901-000CN	Plate, switch-cover	Input-tray main body (3x500-sheet) on page 923
RC1-9912-000CN	Shaft, lock	Input-tray main body (1x500-sheet) on page 919
RC1-9912-000CN	Shaft, lock	Input-tray main body (3x500-sheet) on page 923
RC1-9913-000CN	Arm, lock	Input-tray main body (1x500-sheet) on page 919
RC1-9913-000CN	Arm, lock	Input-tray main body (3x500-sheet) on page 923
RC1-9915-000CN	Bushing	Input-tray main body (1x500-sheet) on page 919
RC1-9915-000CN	Bushing	Input-tray main body (3x500-sheet) on page 923
RC1-9917-000CN	Caster, rear	Input-tray main body (1x500-sheet) on page 919
RC1-9917-000CN	Caster, rear	Input-tray main body (3x500-sheet) on page 923
RC1-9921-000CN	Door, stock	Input-tray main body (1x500-sheet) on page 919

Table 9-86 Numerical parts list (continued)

Part number	Description	Table and page
RC2-1278-000CN	Cover, rear	External panels and covers (stapler/stacker) on page 951
RC2-1278-000CN	Cover, rear	External panels and covers (booklet-maker) on page 953
RC2-1279-000CN	Cover, tray-connector	External panels and covers (stapler/stacker) on page 951
RC2-1279-000CN	Cover, tray-connector	External panels and covers (booklet-maker) on page 953
RC2-1280-000CN	Cover, left-lower	External panels and covers (booklet-maker) on page 953
RC2-1283-000CN	Panel, height, upper	External panels and covers (stapler/stacker) on page 951
RC2-1283-000CN	Panel, height, upper	External panels and covers (booklet-maker) on page 953
RC2-1284-000CN	Guide, side-wall	External panels and covers (booklet-maker) on page 953
RC2-1293-000CN	Arm, paper-delivery gate	Swing-guide assembly (stapler/stacker and booklet-maker) on page 983
RC2-1315-000CN	Caster, universal	Finisher (stapler/stacker and booklet-maker) on page 959
RC2-1347-000CN	Cover, option-slide	External panels and covers (stapler/stacker) on page 951
RC2-1351-000CN	Cover, internal, lower (stapler/stacker only)	Finisher (stapler/stacker and booklet-maker) on page 959
RC2-1356-000CN	Plate, grounding (booklet-maker only)	Finisher (stapler/stacker and booklet-maker) on page 959
RC2-1734-000CN	Window, LED	External panels and covers (booklet-maker) on page 953
RC2-1735-000CN	Mount, LED-PCA	External panels and covers (stapler/stacker) on page 951
RK2-1320-000CN	Motor, stepping, DC	Intermediate-feed main body on page 935
RK2-1331-000CN	Motor, stepping, DC	Input-tray main body (1x500-sheet) on page 919
RK2-1331-000CN	Motor, stepping, DC	Input-tray main body (3x500-sheet) on page 923
RK2-1354-000CN	Cable, laser flexible flat	Printer internal components (2 of 7) on page 881
RK2-1355-000CN	Cable, laser flexible flat	Printer internal components (2 of 7) on page 881
RK2-1356-000CN	Cable, flexible flat	Printer internal components (6 of 7) on page 891
RK2-1363-000CN	Thermistor unit	Printer internal components (2 of 7) on page 881

Table 9-86 Numerical parts list (continued)

Part number	Description	Table and page
RK2-1366-000CN	Motor, stepping, DC	Printer internal components (4 of 7) on page 885
RK2-1370-000CN	Motor, stepping, DC	Printer internal components (4 of 7) on page 885
RK2-1377-000CN	Fan	Printer internal components (4 of 7) on page 885
RK2-1378-000CN	Fan	Printer internal components (4 of 7) on page 885
RK2-1378-000CN	Fan	Printer internal components (5 of 7) on page 889
RK2-1378-000CN	Fan	Printer duplexing-reverse assembly on page 911
RK2-1382-000CN	Fan	Printer internal components (4 of 7) on page 885
RK2-2376-000CN	Sensor unit, humidity	Printer internal components (2 of 7) on page 881
RL1-1210-000CN	Cover, rear	Printer external covers and panels on page 873
RL1-1213-000CN	Rail, left, top	Printer internal components (5 of 7) on page 889
RL1-1215-000CN	Rail, cassette, right	Printer internal components (5 of 7) on page 889
RL1-1216-000CN	Plate, fixing-motor	Printer internal components (4 of 7) on page 885
RL1-1272-000CN	Arm, auxiliary	Intermediate-feed main body on page 935
RL1-1280-000CN	Right-lower cover assembly	Printer external covers and panels on page 873
RL1-1283-000CN	Guide, multi-purpose, right	Printer internal components (2 of 7) on page 881
RL1-1284-000CN	Top-cover assembly	Printer internal components (1 of 7) on page 879
RL1-1289-000CN	Roller, paper-pickup	Input-tray paper-pickup assembly on page 931
RL1-1310-000CN	Rail, cassette, right	Input-tray main body (1x500-sheet) on page 919
RL1-1310-000CN	Rail, cassette, right	Input-tray main body (3x500-sheet) on page 923
RL1-1311-000CN	Rail, cassette, left	Input-tray main body (1x500-sheet) on page 919
RL1-1311-000CN	Rail, cassette, left	Input-tray main body (3x500-sheet) on page 923
RL1-1321-000CN	Cover, right-front	Input-tray main body (3x500-sheet) on page 923

Table 9-86 Numerical parts list (continued)

Part number	Description	Table and page
RL1-1322-000CN	Cover, right-front	Input-tray main body (1x500-sheet) on page 919
RL1-1335-000CN	Guide, duplexing-feed, upper	Printer right-door assembly on page 877
RL1-1477-000CN	Cover, internal, lower (booklet-maker only)	Finisher (stapler/stacker and booklet-maker) on page 959
RL1-1717-000CN	Cover, front-lower	External panels and covers (stapler/stacker) on page 951
RL1-1717-000CN	Cover, front-lower	External panels and covers (booklet-maker) on page 953
RL1-1718-000CN	Cover, rear-lower	External panels and covers (stapler/stacker) on page 951
RL1-1718-000CN	Cover, rear-lower	External panels and covers (booklet-maker) on page 953
RL1-2210-000CN	Cover, option-tray, front	Output bin 1 (stack upper-tray assembly) (stapler/stacker) on page 963
RM1-0037-020CN	Paper feed-roller assembly	Input-tray paper-pickup assembly on page 931
RM1-3206-000CN	Cassette paper-pickup assembly	Printer cassette paper-pickup assembly on page 901
RM1-3215-000CN	Intermediate transfer belt (ITB) lock-support rear assembly	Printer internal components (3 of 7) on page 883
RM1-3217-000CN	Fixing-motor cable	Printer internal components (6 of 7) on page 891
RM1-3218-000CN	Fixing power-supply assembly	Printer internal components (7 of 7) on page 893
RM1-3218-000CN	Fixing power-supply assembly	Printer PCA assembly location on page 915
RM1-3222-000CN	Lifter-drive-assembly kit	Printer lifter-drive assembly on page 897
RM1-3225-000CN	Grip-support front assembly	Printer internal components (2 of 7) on page 881
RM1-3226-000CN	Grip-support rear assembly	Printer internal components (2 of 7) on page 881
RM1-3228-000CN	Intermediate transfer belt (ITB) lock-support front assembly	Printer internal components (3 of 7) on page 883
RM1-3230-000CN	Transfer contact-holder assembly	Printer internal components (1 of 7) on page 879
RM1-3232-000CN	Thermopile case assembly	Printer internal components (2 of 7) on page 881
RM1-3233-000CN	Left-side wall assembly	Printer internal components (1 of 7) on page 879
RM1-3235-000CN	Partition-plate assembly, yellow	Printer internal components (1 of 7) on page 879

Table 9-86 Numerical parts list (continued)

Part number	Description	Table and page
RM1-3237-000CN	Partition-plate assembly, magenta	Printer internal components (1 of 7) on page 879
RM1-3238-000CN	Partition-plate assembly, cyan	Printer internal components (1 of 7) on page 879
RM1-3239-000CN	Right-side wall assembly	Printer internal components (1 of 7) on page 879
RM1-3240-000CN	Intermediate transfer belt (ITB)-drawer assembly	Printer internal components (3 of 7) on page 883
RM1-3247-000CN	Fixing one-way gear assembly	Printer internal components (4 of 7) on page 885
RM1-3250-000CN	Photosensor assembly	Printer internal components (2 of 7) on page 881
RM1-3252-000CN	Main switch-holder assembly	Printer internal components (7 of 7) on page 893
RM1-3253-000CN	Formatter-case assembly	Printer internal components (6 of 7) on page 891
RM1-3254-000CN	Cartridge contact-holder assembly	Printer internal components (7 of 7) on page 893
RM1-3258-000CN	Color-plane-registration (CPR) sensor assembly	Printer internal components (3 of 7) on page 883
RM1-3280-000CN	Intermediate transfer belt (ITB) estrangement-drive assembly	Printer internal components (3 of 7) on page 883
RM1-3286-000CN	Drum-motor assembly	Printer internal components (4 of 7) on page 885
RM1-3291-000CN	Multi-purpose-guide assembly	Printer multi-purpose-guide assembly on page 907
RM1-3293-000CN	Face-down paper-delivery assembly	Printer face-down paper-delivery assembly on page 909
RM1-3333-000CN	Right-door sub-assembly	Printer right-door assembly on page 877
RM1-3340-000CN	Face-down end-tray assembly	Printer external covers and panels on page 873
RM1-3341-000CN	Multi-purpose-tray assembly	Printer multi-purpose-tray assembly on page 905
RM1-3345-000CN	Multi-purpose paper-pickup assembly	Printer multi-purpose paper-pickup assembly on page 903
RM1-3354-000CN	Rear-cover-mount plate assembly	Printer internal components (6 of 7) on page 891
RM1-3357-000CN	Front-cover assembly	Printer front-door assembly on page 875
RM1-3364-000CN	Fan assembly	Printer internal components (2 of 7) on page 881
RM1-3366-000CN	Multi-purpose-drive assembly	Printer multi-purpose-drive assembly on page 895

Table 9-86 Numerical parts list (continued)

Part number	Description	Table and page
RM1-3383-000CN	Toner-motor cable	Printer internal components (4 of 7) on page 885
RM1-3385-000CN	Toner-motor cable	Printer internal components (4 of 7) on page 885
RM1-3389-000CN	Panel cable	Printer internal components (6 of 7) on page 891
RM1-3390-000CN	Face-down unit-1 cable	Printer internal components (7 of 7) on page 893
RM1-3391-000CN	Face-down unit-2 cable	Printer internal components (7 of 7) on page 893
RM1-3529-000CN	Cassette (1x500-sheet)	Input-tray cassette on page 929
RM1-3529-000CN	Cassette (3x500-sheet)	Input-tray cassette on page 929
RM1-3531-040CN	Auto-close assembly, 1x500-sheet	Input-tray auto-close assembly on page 927
RM1-3531-040CN	Auto-close assembly, 3x500-sheet	Input-tray auto-close assembly on page 927
RM1-3537-000CN	Right-door assembly	Input-tray main body (3x500-sheet) on page 923
RM1-3538-000CN	Right-door assembly	Input-tray main body (1x500-sheet) on page 919
RM1-3539-000CN	Stock-box assembly	Input-tray main body (1x500-sheet) on page 919
RM1-3559-000CN	Intermediate paper-transfer unit (IPTU)-driver PCA assembly	Intermediate-feed main body on page 935
RM1-3559-000CN	Intermediate paper-transfer unit (IPTU)-driver PCA assembly	PCA assembly on page 945
RM1-3560-000CN	Cable, drawer	Intermediate-feed main body on page 935
RM1-3561-000CN	Cable, drawer	Intermediate-feed main body on page 935
RM1-3563-000CN	Cable, motor	Intermediate-feed main body on page 935
RM1-3564-000CN	Cable, motor	Intermediate-feed main body on page 935
RM1-3569-000CN	Paper-feed PCA assembly	Input-tray main body (1x500-sheet) on page 919
RM1-3569-000CN	Paper-feed PCA assembly	Input-tray main body (3x500-sheet) on page 923
RM1-3569-000CN	Paper-feed PCA assembly (1x500-sheet)	Input-tray PCA assembly on page 933
RM1-3569-000CN	Paper-feed PCA assembly (3x500-sheet)	Input-tray PCA assembly on page 933

Table 9-86 Numerical parts list (continued)

Part number	Description	Table and page
RM1-3570-000CN	Option paper-sensor PCA assembly	Input-tray paper-pickup assembly on page 931
RM1-3571-000CN	Cable, pickup-option drawer	Input-tray main body (1x500-sheet) on page 919
RM1-3571-000CN	Cable, paper-pickup-option drawer	Input-tray main body (3x500-sheet) on page 923
RM1-3572-000CN	Cable, pickup-option door switch	Input-tray main body (1x500-sheet) on page 919
RM1-3572-000CN	Cable, pickup-option door switch	Input-tray main body (3x500-sheet) on page 923
RM1-3573-000CN	Cable, pickup-option PCA connect	Input-tray main body (3x500-sheet) on page 923
RM1-3574-000CN	Cable, option-sensor PCA connect	Input-tray main body (1x500-sheet) on page 919
RM1-3574-000CN	Cable, option-sensor PCA connect	Input-tray main body (3x500-sheet) on page 923
RM1-3575-000CN	Cable, paper-pickup option	Input-tray main body (1x500-sheet) on page 919
RM1-3575-000CN	Cable, paper-pickup option	Input-tray main body (3x500-sheet) on page 923
RM1-3576-000CN	Cable, pickup-option lifter unit	Input-tray auto-close assembly on page 927
RM1-3582-000CN	High-voltage-transfer A PCA assembly	Printer internal components (7 of 7) on page 893
RM1-3582-000CN	High-voltage-transfer A PCA assembly	Printer PCA assembly location on page 915
RM1-3585-000CN	Memory-tag PCA assembly	Printer internal components (4 of 7) on page 885
RM1-3585-000CN	Memory-tag PCA assembly	Printer PCA assembly location on page 915
RM1-3589-000CN	Interlock-switch assembly	Printer internal components (2 of 7) on page 881
RM1-3594-000CN	Low-voltage power-supply assembly	Printer internal components (5 of 7) on page 889
RM1-3594-000CN	Low-voltage power-supply assembly	Printer PCA assembly location on page 915
RM1-3599-000CN	Cable, MFP AC	Printer internal components (7 of 7) on page 893
RM1-3610-000CN	DC-controller power cable	Printer internal components (6 of 7) on page 891
RM1-3612-000CN	Fixing-joint cable	Printer internal components (7 of 7) on page 893
RM1-3617-000CN	Front cable	Printer internal components (6 of 7) on page 891

Table 9-86 Numerical parts list (continued)

Part number	Description	Table and page
RM1-3618-000CN	Rear-lower cable	Printer internal components (6 of 7) on page 891
RM1-3619-000CN	Rear-upper cable	Printer internal components (6 of 7) on page 891
RM1-3620-000CN	Scanner-joint cable	Printer internal components (6 of 7) on page 891
RM1-3622-000CN	Panel-joint cable	Printer internal components (6 of 7) on page 891
RM1-3623-000CN	Interface-joint cable	Printer internal components (6 of 7) on page 891
RM1-3624-000CN	Color-plane-registration (CPR)-joint cable	Printer internal components (6 of 7) on page 891
RM1-3630-000CN	Multi-tray cable	Printer multi-purpose-tray assembly on page 905
RM1-3640-000CN	Waste-toner-sensor cable	Printer internal components (6 of 7) on page 891
RM1-3652-000CN	Duplexing-reverse assembly	Printer duplexing-reverse assembly on page 911
RM1-3665-000CN	Duplexing-feed assembly	Printer duplexing-feed assembly on page 913
RM1-3683-000CN	Side-cover assembly	Intermediate-feed main body on page 935
RM1-3684-000CN	Drive-belt assembly	Intermediate-feed main body on page 935
RM1-3685-000CN	Fin-lock assembly	Intermediate-feed main body on page 935
RM1-3686-000CN	Lower-guide assembly	Intermediate-feed lower-guide assembly on page 937
RM1-4101-000CN	Stack upper-tray assembly	Output bin 1 (stack upper-tray assembly) (stapler/stacker) on page 963
RM1-4102-000CN	Stack upper-tray assembly	Output bin 1 (stack upper-tray assembly) (booklet-maker) on page 967
RM1-4104-000CN	Stack-tray assembly	Output bin 1 (stack upper-tray assembly) (booklet-maker) on page 967
RM1-4104-000CN	Stack-tray assembly	Output bin 2 (stack lower-tray assembly) (stapler/stacker and booklet-maker) on page 971
RM1-4105-000CN	Stack lower-tray assembly	Output bin 2 (stack lower-tray assembly) (stapler/stacker and booklet-maker) on page 971
RM1-4107-000CN	Area-sensor flag assembly	Finisher (stapler/stacker and booklet-maker) on page 959

Table 9-86 Numerical parts list (continued)

Part number	Description	Table and page
RM1-4108-000CN	Swing-guide assembly	Swing-guide assembly (stapler/stacker and booklet-maker) on page 983
RM1-4109-000CN	Saddle paper-feeder assembly	Saddle paper-feeder assembly (booklet-maker) on page 1005
RM1-4110-000CN	Entrance lower-guide assembly	Saddle paper-feeder assembly (stapler/stacker) on page 1003
RM1-4110-000CN	Entrance lower-guide assembly	Saddle paper-feeder assembly (booklet-maker) on page 1005
RM1-4113-000CN	Booklet-output bin (saddle-tray assembly)	Saddle-tray assembly (booklet-maker) on page 997
RM1-4115-000CN	Stack sub-tray assembly	Top output bin (stack sub-tray assembly) (stapler/stacker) on page 973
RM1-4119-000CN	Middle-height cover assembly	External panels and covers (booklet-maker) on page 953
RM1-4121-000CN	Top-door (upper-cover) assembly	External panels and covers (stapler/stacker) on page 951
RM1-4121-000CN	Top-door (upper-cover) assembly	External panels and covers (booklet-maker) on page 953
RM1-4122-000CN	Front-door assembly	External panels and covers (booklet-maker) on page 953
RM1-4123-000CN	Inner-cover assembly	Finisher (stapler/stacker and booklet-maker) on page 959
RM1-4125-000CN	Operation-tray assembly	Operation-tray assembly (stapler/stacker and booklet-maker) on page 975
RM1-4128-000CN	Cable-mount lattice assembly	Finisher (stapler/stacker and booklet-maker) on page 959
RM1-4129-000CN	Left-upper cover assembly	External panels and covers (booklet-maker) on page 953
RM1-4130-000CN	Saddle paper-delivery assembly	Saddle assembly (booklet-maker) on page 993
RM1-4130-000CN	Saddle paper-delivery assembly	Saddle paper-delivery assembly (booklet-maker) on page 1011
RM1-4131-000CN	Upper delivery-guide assembly	Saddle assembly (booklet-maker) on page 993
RM1-4134-000CN	Front-door assembly	External panels and covers (stapler/stacker) on page 951
RM1-4135-000CN	Lower height-guide assembly	External panels and covers (stapler/stacker) on page 951
RM1-4136-000CN	Saddle paper-feeder assembly	Saddle paper-feeder assembly (stapler/stacker) on page 1003
RM1-4139-000CN	Main controller PCA assembly (stapler/stacker and booklet-maker)	PCA assembly on page 1015

Table 9-86 Numerical parts list (continued)

Part number	Description	Table and page
RM1-4140-000CN	Saddle-controller PCA assembly	Saddle assembly (booklet-maker) on page 993
RM1-4140-000CN	Saddle-controller PCA assembly (booklet-maker)	PCA assembly on page 1015
RM1-4141-000CN	LED-PCA assembly	External panels and covers (stapler/stacker) on page 951
RM1-4141-000CN	LED-PCA assembly	External panels and covers (booklet-maker) on page 953
RM1-4172-000CN	Entrance upper-guide assembly	Entrance upper-guide assembly (stapler/stacker and booklet-maker) on page 985
RM1-4175-000CN	Paper-feeder motor assembly	Paper-feeder motor assembly (stapler/stacker and booklet-maker) on page 977
RM1-4178-000CN	Saddle-stapler assembly	Saddle assembly (booklet-maker) on page 993
RM1-4178-000CN	Saddle-stapler assembly	Saddle-stapler assembly (booklet-maker) on page 1001
RM1-4179-000CN	Left upper-cover assembly	External panels and covers (stapler/stacker) on page 951
RM1-4180-000CN	Upper-crossmember assembly	Finisher (stapler/stacker and booklet-maker) on page 959
RM1-4391-000CN	Face-down full-flag assembly	Printer face-down paper-delivery assembly on page 909
RM1-4394-000CN	Fan assembly	Intermediate-feed main body on page 935
RM1-4395-000CN	Upper-guide assembly	Intermediate-feed upper-guide assembly on page 939
RM1-4396-000CN	Left-assist assembly	Left-assist assembly on page 941
RM1-4397-000CN	Right-assist assembly	Right-assist assembly on page 943
RM1-4398-000CN	Reader front-guide assembly	Printer internal components (2 of 7) on page 881
RM1-4399-000CN	Reader rear-guide assembly	Printer internal components (2 of 7) on page 881
RM1-4400-000CN	Guide-sensor assembly	Printer internal components (5 of 7) on page 889
RM1-4401-000CN	Intermediate transfer belt (ITB) duct assembly	Printer internal components (5 of 7) on page 889
RM1-4402-000CN	Tag PCA-holder assembly	Printer internal components (4 of 7) on page 885
RM1-4404-000CN	Front internal-cover assembly	Printer front-door assembly on page 875

Table 9-86 Numerical parts list (continued)

Part number	Description	Table and page
RM1-4407-000CN	Paper-delivery-guide assembly	Printer face-down paper-delivery assembly on page 909
RM1-4408-000CN	Switchback-cover assembly	Printer external covers and panels on page 873
RM1-4409-000CN	Fixing-bias cable assembly	Printer internal components (7 of 7) on page 893
RM1-4411-000CN	T2 guide-arm assembly	Printer internal components (7 of 7) on page 893
RM1-4415-000CN	Rear-right cover assembly	Printer external covers and panels on page 873
RM1-4519-000CN	DC motor assembly	Printer internal components (4 of 7) on page 885
RM1-5029-000CN	Cable, fixing open-sensor	Printer internal components (5 of 7) on page 889
RM1-5030-000CN	Cable TP/T2 open-sensor	Printer internal components (7 of 7) on page 893
RM1-5475-000CN	High-voltage transfer B PCA assembly	Printer internal components (1 of 7) on page 879
RM1-5475-000CN	High-voltage-transfer B PCA assembly	Printer PCA assembly location on page 915
RM1-5950-000CN	Fixing-fan cover assembly	Printer external covers and panels on page 873
RM1-6642-000CN	DC-controller PCA assembly	Printer internal components (6 of 7) on page 891
RM1-6642-000CN	DC controller PCA assembly	Printer PCA assembly location on page 915
RS5-9099-000CN	Screw, stepped	Input-tray main body (1x500-sheet) on page 919
RS5-9099-000CN	Screw, stepped	Input-tray main body (3x500-sheet) on page 923
RU5-0790-000CN	Gear, 83T/25T	Printer internal components (4 of 7) on page 885
RU5-0791-000CN	Gear, 34T	Printer internal components (4 of 7) on page 885
RU5-0868-000CN	Pulley/gear, 22T	Intermediate-feed main body on page 935
RU5-2796-000CN	Spring, tension	Printer internal components (5 of 7) on page 889
RU5-2822-000CN	Spring, tension	Printer internal components (2 of 7) on page 881
RU5-2825-000CN	Spring, torsion	Printer internal components (2 of 7) on page 881

Table 9-86 Numerical parts list (continued)

Part number	Description	Table and page
RU5-6035-000CN	Roller, tray-guide	Output bin 1 (stack upper-tray assembly) (stapler/stacker) on page 963
RU5-6035-000CN	Roller, tray-guide	Output bin 1 (stack upper-tray assembly) (booklet-maker) on page 967
RU5-6035-000CN	Roller, tray-guide	Output bin 2 (stack lower-tray assembly) (stapler/stacker and booklet-maker) on page 971
VS1-7177-002CN	Connector, snap-tight	Printer internal components (2 of 7) on page 881
VS1-7177-003CN	Connector, snap-tight	Printer internal components (4 of 7) on page 885
VS1-7257-012CN	Connector, drawer	Input-tray main body (1x500-sheet) on page 919
VS1-7257-012CN	Connector, drawer	Input-tray main body (3x500-sheet) on page 923
VS1-7258-000CN	Connector, drawer	Printer internal components (5 of 7) on page 889
VT2-0001-008CN	Support, PCA	Input-tray main body (1x500-sheet) on page 919
VT2-001-008CN	Support, PCA	Input-tray main body (3x500-sheet) on page 923
WC2-5512-000CN	Switch, button	Input-tray main body (1x500-sheet) on page 919
WC2-5512-000CN	Switch, button	Input-tray main body (3x500-sheet) on page 923
WG8-5593-000CN	Photo interrupter, TLP1242	External panels and covers (stapler/stacker) on page 951
WG8-5593-000CN	Photo interrupter, TLP1242	External panels and covers (booklet-maker) on page 953
WG8-5593-000CN	Photo interrupter, TLP1242	Finisher (stapler/stacker and booklet-maker) on page 959
WG8-5593-000CN	Photo interrupter, TLP1242	Output bin 1 (stack upper-tray assembly) (stapler/stacker) on page 963
WG8-5593-000CN	Photo interrupter, TLP1242	Operation-tray assembly (stapler/stacker and booklet-maker) on page 975
WG8-5593-000CN	Photo interrupter, TLP1242	Operation-tray assembly (stapler/stacker and booklet-maker) on page 975
WG8-5593-000CN	Photo interrupter, TLP1242	Saddle assembly (booklet-maker) on page 993
WG8-5593-000CN	Photo interrupter, TLP1242	Saddle assembly (booklet-maker) on page 993

Table 9-86 Numerical parts list (continued)

Part number	Description	Table and page
WG8-5593-000CN	Photo interrupter, TLP1242	Saddle assembly (booklet-maker) on page 993
WG8-5593-000CN	Photo interrupter, TLP1242	Saddle assembly (booklet-maker) on page 993
WG8-5593-000CN	Photo interrupter, TLP1242	Saddle-tray assembly (booklet-maker) on page 997
WG8-5593-000CN	Photo interrupter, TLP1242	Saddle paper-feeder assembly (booklet-maker) on page 1005
WG8-5593-000CN	Photo interrupter, TLP1242	Pass lower-guide assembly (booklet-maker) on page 1007
WG8-5593-000CN	Photo interrupter, TLP1242	Inner side-plate assembly (booklet-maker) on page 1009
WG8-5593-000CN	Photo interrupter, TLP1242	Saddle paper-delivery assembly (booklet-maker) on page 1011
WG8-5696-000CN	Photo interrupter, TLP1243	Printer right-door assembly on page 877
WG8-5696-000CN	Photo interrupter, TLP1243	Printer right-door assembly on page 877
WG8-5696-000CN	Photo interrupter, TLP1243	Printer internal components (2 of 7) on page 881
WG8-5696-000CN	Photo interrupter, TLP1243	Printer internal components (5 of 7) on page 889
WG8-5696-000CN	Photo interrupter, TLP1243	Printer internal components (7 of 7) on page 893
WG8-5696-000CN	Photo interrupter, TLP1243	Printer cassette paper-pickup assembly on page 901
WG8-5696-000CN	Photo interrupter, TLP1243	Printer multi-purpose-guide assembly on page 907
WG8-5696-000CN	Photo interrupter, TLP1243	Printer face-down paper-delivery assembly on page 909
WG8-5696-000CN	Photo interrupter, TLP1243	Printer duplexing-reverse assembly on page 911
WT2-5694-000CN	Saddle, wire	Printer internal components (4 of 7) on page 885
WT2-5694-000CN	Saddle, wire	Input-tray main body (1x500-sheet) on page 919
WT2-5694-000CN	Saddle, wire	Input-tray main body (3x500-sheet) on page 923
WT2-5738-000CN	Clamp, cable	Input-tray main body (1x500-sheet) on page 919
WT2-5738-000CN	Clamp, cable	Input-tray main body (3x500-sheet) on page 923

Table 9-86 Numerical parts list (continued)

Part number	Description	Table and page
WT2-5912-000CN	Clamp, FFC	Printer internal components (2 of 7) on page 881
XA9-0732-000CN	Screw, RS, M4x8 (booklet-maker only)	Finisher (stapler/stacker and booklet-maker) on page 959
XA9-0912-000CN	Screw, with washer, M5x12	Input-tray main body (1x500-sheet) on page 919
XA9-0912-000CN	Screw, with washer, M5x12	Input-tray main body (3x500-sheet) on page 923
XA9-0912-000CN	Screw, with washer, M5x12	Finisher (stapler/stacker and booklet-maker) on page 959
XA9-1159-000CN	Screw, TP, M3x6	Printer internal components (4 of 7) on page 885
XA9-1277-000CN	Screw, B, M4x8	Intermediate-feed main body on page 935
XA9-1292-000CN	Screw, M4x14	Intermediate-feed main body on page 935
XA9-1386-000CN	Screw, RS, M3x8	Finisher (stapler/stacker and booklet-maker) on page 959
XA9-1422-000CN	Screw, with washer, M4X12	Printer right-door assembly on page 877
XA9-1448-000CN	Screw, RS, M4x8	Input-tray main body (1x500-sheet) on page 919
XA9-1448-000CN	Screw, RS, M4x8	Input-tray main body (1x500-sheet) on page 919
XA9-1448-000CN	Screw, RS, M4x8	Input-tray main body (3x500-sheet) on page 923
XA9-1448-000CN	Screw, RS, M4x8	Input-tray main body (3x500-sheet) on page 923
XA9-1449-000CN	Screw, RS, M3x8	Printer internal components (2 of 7) on page 881
XA9-1449-000CN	Screw, RS, M3x8	Printer internal components (6 of 7) on page 891
XA9-1469-000CN	Screw, TP, M3x6	Input-tray main body (1x500-sheet) on page 919
XA9-1469-000CN	Screw, TP, M3x6	Input-tray main body (3x500-sheet) on page 923
XA9-1495-000CN	Screw, RS, M3X6	Printer right-door assembly on page 877
XA9-1495-000CN	Screw, RS, M3x6	Printer internal components (1 of 7) on page 879
XA9-1495-000CN	Screw, RS, M3x6	Printer internal components (2 of 7) on page 881
XA9-1495-000CN	Screw, RS, M3x6	Printer internal components (3 of 7) on page 883

Table 9-86 Numerical parts list (continued)

Part number	Description	Table and page
XA9-1495-000CN	Screw, RS, M3x6	Printer internal components (4 of 7) on page 885
XA9-1495-000CN	Screw, RS, M3x6	Printer internal components (4 of 7) on page 885
XA9-1495-000CN	Screw, RS, M3x6	Printer internal components (5 of 7) on page 889
XA9-1495-000CN	Screw, RS, M3x6	Printer internal components (6 of 7) on page 891
XA9-1495-000CN	Screw, RS, M3x6	Printer internal components (6 of 7) on page 891
XA9-1495-000CN	Screw, RS, M3x6	Printer internal components (7 of 7) on page 893
XA9-1500-000CN	Screw, RS M3x8	Intermediate-feed main body on page 935
XA9-1504-000CN	Screw, RS, M3x8	Printer internal components (1 of 7) on page 879
XA9-1504-000CN	Screw, RS, M3x8	Printer internal components (2 of 7) on page 881
XA9-1504-000CN	Screw, RS, M3x8	Printer internal components (3 of 7) on page 883
XA9-1504-000CN	Screw, RS, M3x8	Printer internal components (4 of 7) on page 885
XA9-1504-000CN	Screw, RS, M3x8	Printer internal components (5 of 7) on page 889
XA9-1504-000CN	Screw, RS, M3x8	Printer internal components (7 of 7) on page 893
XA9-1801-000CN	Screw, RS, M13x12	Printer internal components (7 of 7) on page 893
XB1-2300-407CN	Screw, machined, truss-head, M3x4	Printer internal components (4 of 7) on page 885
XB1-2300-407CN	Screw, machined, truss-head, M3x4	Intermediate-feed main body on page 935
XB1-2400-805CN	Screw, machined, truss-head, M4x8	Printer internal components (7 of 7) on page 893
XB2-8300-607CN	Screw, with washer, M3x6	Printer internal components (4 of 7) on page 885
XB2-8300-607CN	Screw, with washer, M3x6	Input-tray main body (1x500-sheet) on page 919
XB2-8300-607CN	Screw, with washer, M3x6	Input-tray main body (3x500-sheet) on page 923
XB2-8300-607CN	Screw, with washer, M3x6	Intermediate-feed main body on page 935
XB4-7401-005CN	Screw, tapping, truss-head, M4X10	Printer external covers and panels on page 873

Table 9-86 Numerical parts list (continued)

Part number	Description	Table and page
XB4-7401-005CN	Screw, tapping, truss-head, M4X10	Printer right-door assembly on page 877
XB4-7401-005CN	Screw, tapping, truss-head, M4x10	Printer internal components (5 of 7) on page 889
XB4-7401-006CN	Screw, tapping, pan-head, M4x10	Input-tray main body (1x500-sheet) on page 919
XB6-7300-607CN	Screw, TP, M3x6 (booklet-maker only)	Finisher (stapler/stacker and booklet-maker) on page 959
XB6-7303-005CN	Screw, TP, M3x30	Printer internal components (5 of 7) on page 889
XD2-3100-152CN	Ring, C, external	Saddle assembly (booklet-maker) on page 993
XD3-2200-102CN	Pin	Finisher (stapler/stacker and booklet-maker) on page 959
XD3-2200-102CN	Pin	Finisher (stapler/stacker and booklet-maker) on page 959
XD3-2200-142CN	Pin, dowel	Finisher (stapler/stacker and booklet-maker) on page 959
XD3-2300-142CN	Pin, dowel	Output bin 1 (stack upper-tray assembly) (booklet-maker) on page 967
XD3-2300-142CN	Pin, dowel	Output bin 2 (stack lower-tray assembly) (stapler/stacker and booklet-maker) on page 971
XD3-2300-202CN	Pin, dowel	Saddle assembly (booklet-maker) on page 993
XD9-0136-000CN	Ring, E	Finisher (stapler/stacker and booklet-maker) on page 959
XD9-0136-000CN	Ring, E	Finisher (stapler/stacker and booklet-maker) on page 959
XD9-0137-000CN	Ring, E	Output bin 1 (stack upper-tray assembly) (booklet-maker) on page 967
XD9-0234-000CN	Ring, E	Printer internal components (4 of 7) on page 885
XD9-0234-000CN	Ring, E	Printer internal components (5 of 7) on page 889
XD9-0240-000CN	Pin, dowel	Printer internal components (4 of 7) on page 885
XF2-1607-860CN	Belt, timing, cogged	Finisher (stapler/stacker and booklet-maker) on page 959
XF2-1608-840CN	Belt, timing	Finisher (stapler/stacker and booklet-maker) on page 959
XF2-3837-340CN	Belt, timing	Saddle assembly (booklet-maker) on page 993

Table 9-86 Numerical parts list (continued)

Part number	Description	Table and page
XF9-0748-000CN	Belt, timing, cogged	Finisher (stapler/stacker and booklet-maker) on page 959
XG9-0586-000CN	Bearing, ball	Printer internal components (4 of 7) on page 885