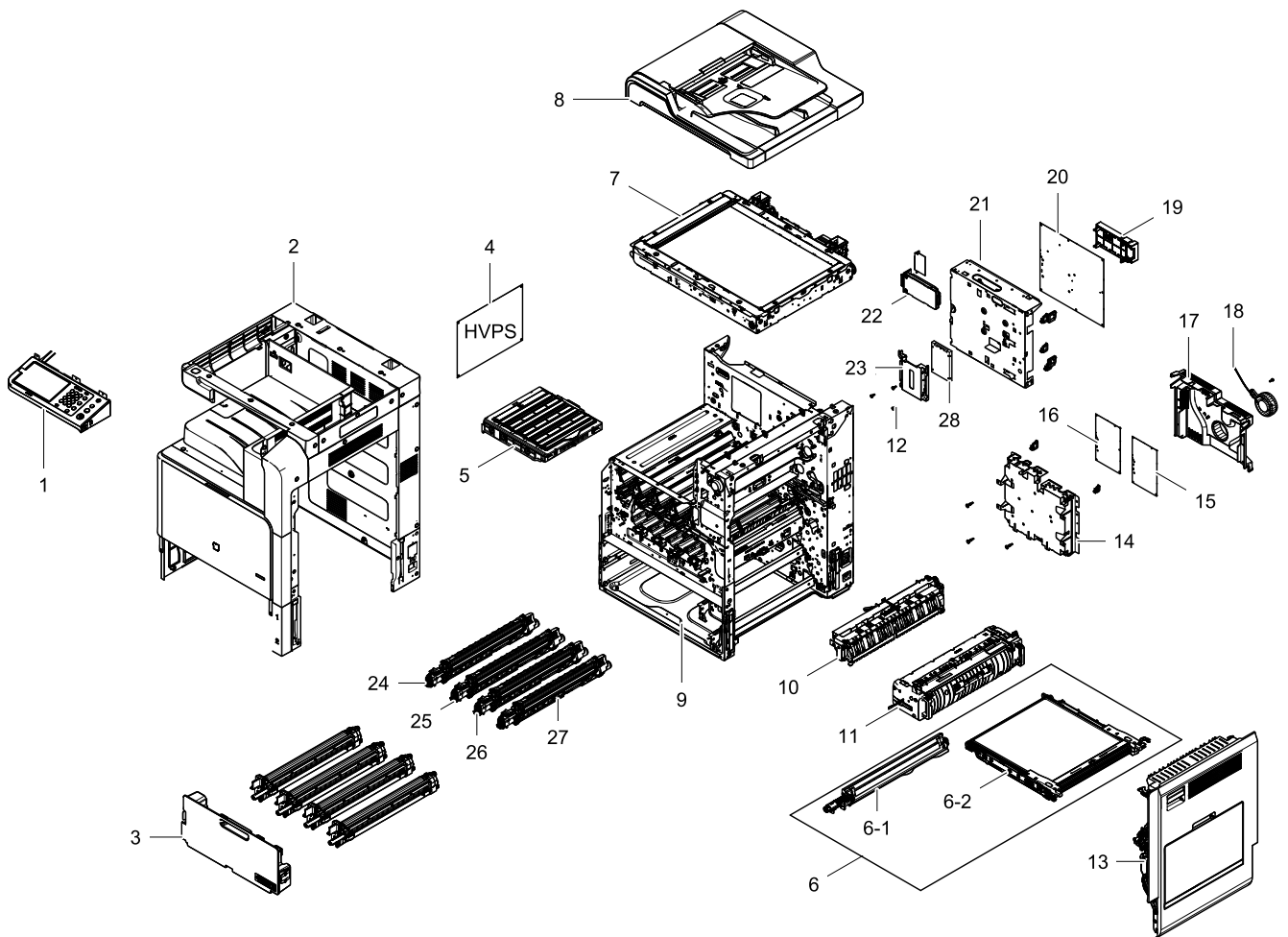


1. Main

Exploded View



Parts List

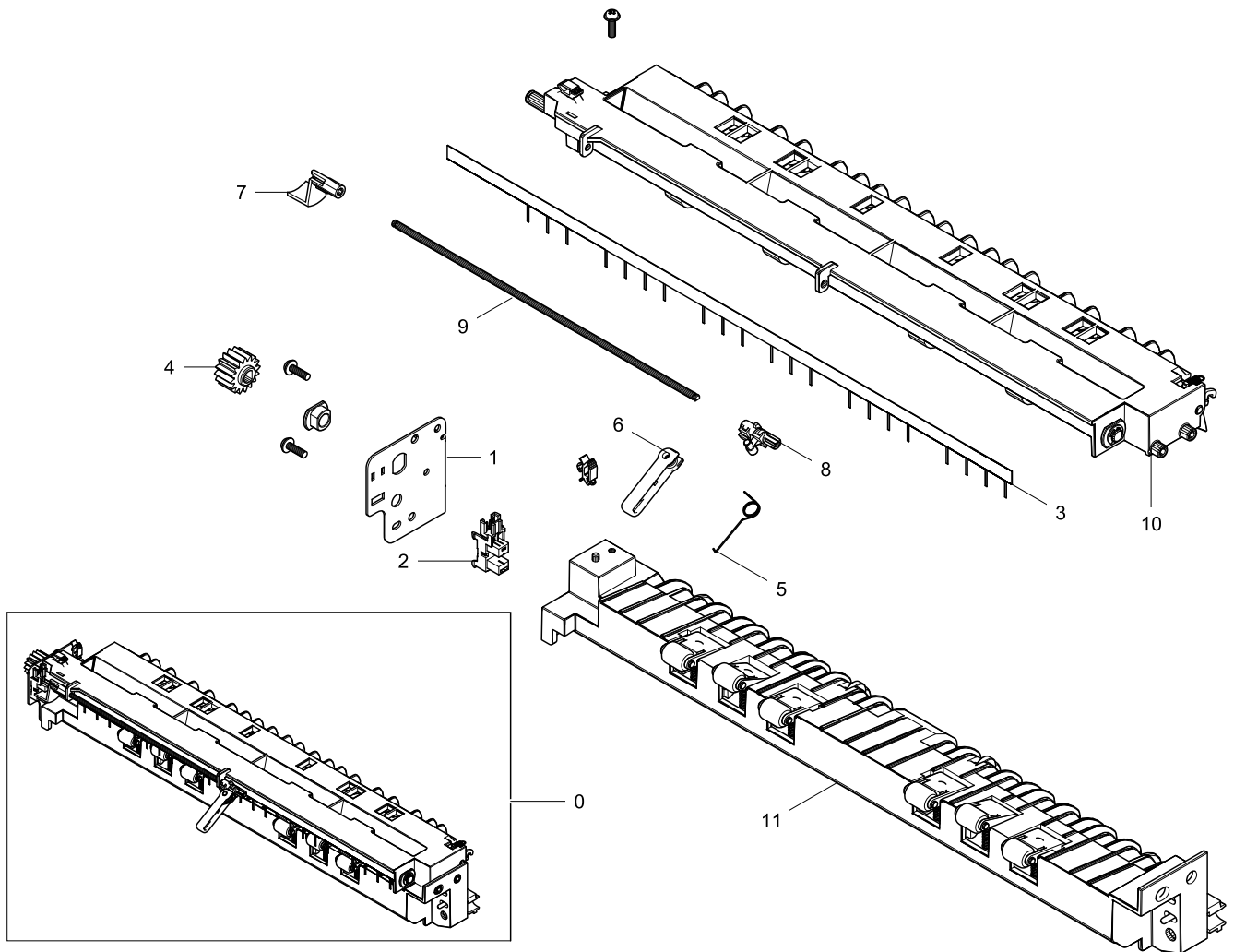
| No. | Lvl. | Loc. | Material Code | Description & Specification | SNA | Qty. |
|-----|------|------|---------------|--|-----|------|
| 1 | 1 | | JC97-04006A | OPE; CLX-9201,WORLD,SEC | SNA | 1 |
| 2 | 1 | | JC95-01506A | COVER; CLX-9201,WORLD,SEC | SNA | 1 |
| 3 | 1 | | JC96-06209A | CARTRIDGE-WTB; CLX-9201,SEC,WORLD,75K | SA | 1 |
| 4 | 2 | | JC44-00212A | HVPS-POLARIS HVPS; 24V,21.6V~27.6V,MAX 5K | SA | 1 |
| 5 | 1 | | JC97-04010A | LSU; CLX-9201,SEC,TANDEM,A3,600,Single Be | SA | 1 |
| 6 | 1 | | JC93-01053A | TRANSFER-ITB; X4300,SEC | SA | 1 |
| 6-1 | 2 | | JC96-06246A | TRANSFER-CARTRIDGE-ITB CLEAN; CLX-9201,SE | SA | 1 |
| 6-2 | 2 | | JC93-01054A | TRANSFER-CARTRIDGE ITB; X4300,SEC | SNA | 1 |
| 7 | 1 | | JC97-04020A | PLATEN FR HR; CLX-9201,SCANNER | SA | 1 |
| 8 | 1 | | JC97-03989A | DADF; CLX-9201,SEC | SA | 1 |

Exploded Views and Parts List

| No. | Lvl. | Loc. | Material Code | Description & Specification | SNA | Qty. |
|-----|------|-------|---------------|---|-----|------|
| 9 | 1 | | JC93-00855A | FRAME MAIN-ENGINE; CLX-9201,SEC,WORLD | SNA | 1 |
| 10 | 1 | | JC90-01118A | EXIT; CLX-9201 | SA | 1 |
| 11 | 1 | | JC91-01063A | FUSER; CLX-9201,SEC,WORLD,230V | SA | 1 |
| 12 | 3 | L5409 | 6009-001396 | SCREW-SPECIAL; PH,+,M3,L10.3,ZPC(WHT),SWR | SNA | 2 |
| 13 | 1 | | JC95-01507A | COVER-SIDE; CLX-9201 | SA | 1 |
| 14 | 3 | | JC63-03415A | SHIELD-SMPS LOWER; CLX-9201,EGI-SECC,0.8, | SNA | 1 |
| 15 | 2 | | JC44-00211A | FDB-POLARIS / EVERGREEN_V2; CLX-9201,POL | SA | 1 |
| 16 | 2 | | JC44-00100C | SMPS-V2; CLX-9201,PSPN TYPE5-V2,AC-DC,275 | SA | 1 |
| 17 | 3 | | JC63-03421A | COVER-SMPS UPPER; CLX-9201,ABS+PC,267.6,2 | SNA | 1 |
| 18 | 2 | | JC31-00160C | FAN-TYPE 6; 120mA,4.00mmH20,0.424m ³ /mi | SA | 1 |
| 19 | 2 | | JC61-04789A | GUIDE-FAX; CLX-9201,HIPS,24.9,139,67.6,HB | SA | 1 |
| 20 | 2 | | JC92-02429A | PBA-MAIN; CLX-9201,SEC,FR-4,6Layer | SA | 1 |
| 21 | 3 | | JC63-03414A | SHIELD-MAIN LOWER; CLX-9201,EGI-SECC,0.8, | SNA | 1 |
| 22 | 2 | | JC92-02439A | PBA-FAX JOINT; CLX-9201,SEC,CEM-3,2Layer | SA | 1 |
| 23 | 2 | J8623 | JC97-02276A | MEA UNIT-HOLDER HDD; SCX-6345N/XRX,XEROX, | SA | 1 |
| 24 | 2 | | JC96-06219A | CARTRIDGE SUB-DEVE Y KIT; CLX-9301,SEC | SA | 1 |
| 25 | 2 | | JC96-06220A | CARTRIDGE SUB-DEVE M KIT; CLX-9301,SEC | SA | 1 |
| 26 | 2 | | JC96-06221A | CARTRIDGE SUB-DEVE C KIT; CLX-9301,SEC | SA | 1 |
| 27 | 2 | | JC96-06222A | CARTRIDGE SUB-DEVE K KIT; CLX-9301,SEC | SA | 1 |
| 28 | 2 | | JC59-00035A | HDD; 320G,HTS543232A7A384,S63,H16,C16383, | SA | 1 |

2. EXIT

Exploded View



Parts List

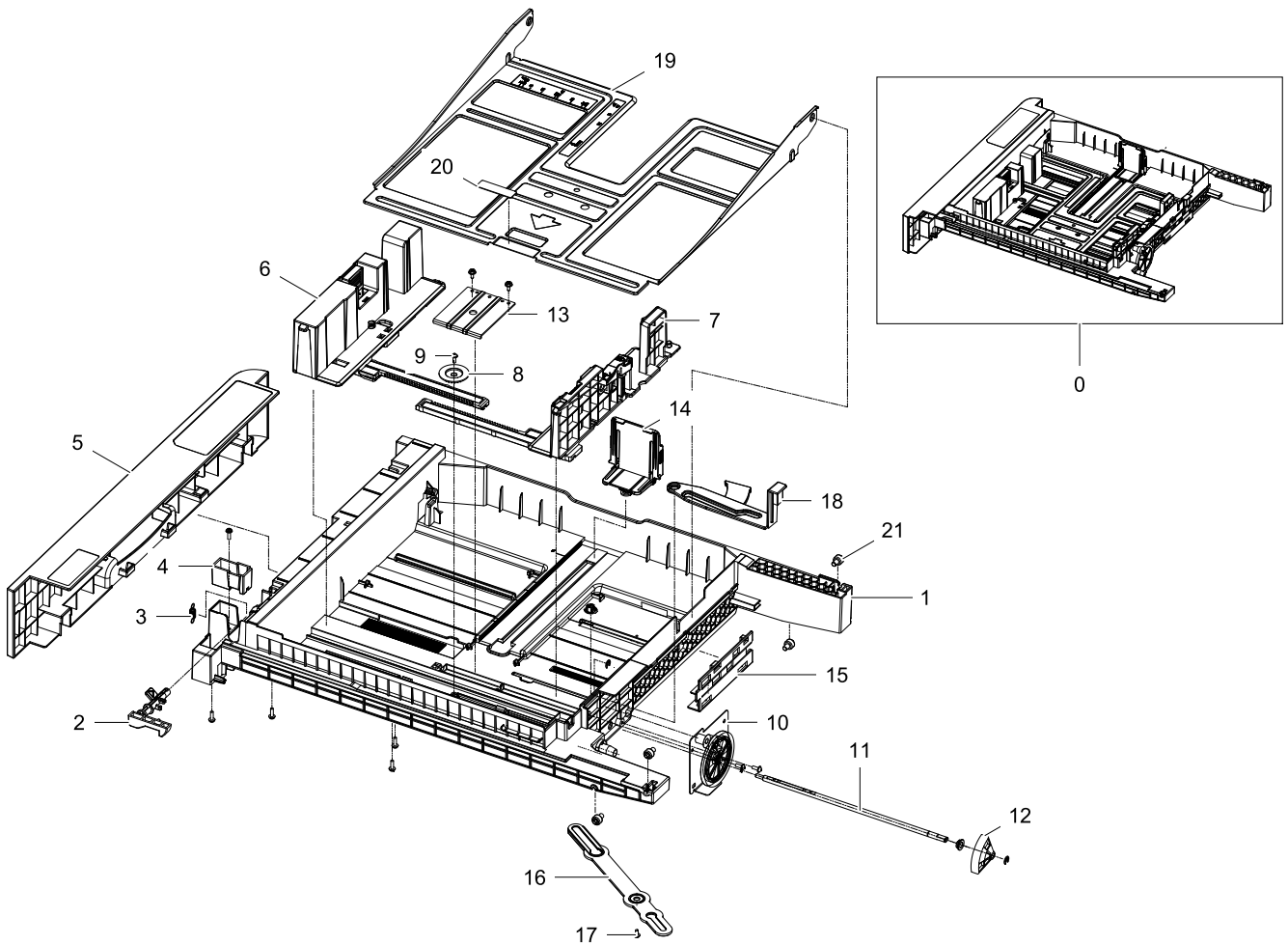
| No. | Lvl. | Loc. | Material Code | Description & Specification | SNA | Qty. |
|-----|------|-------|---------------|--|-----|------|
| 0 | 1 | | JC90-01118A | EXIT; CLX-9201 | SA | 1 |
| 1 | 2 | | JC61-04690A | BRACKET-REAR EXIT; CLX-9201,SECC,T1.0,48, | SNA | 1 |
| 2 | 2 | E9322 | 0604-001393 | PHOTO-INTERRUPTER; TR,75mW,BGA,TR | SA | 1 |
| 3 | 2 | | JC67-00563A | BRUSH-EXIT; CLX-9201,SUS FIBER,368,16.9 | SNA | 1 |
| 4 | 2 | | JC66-02163A | GEAR-EXIT; CLX-9350,POM,1.0,16,18.39 | SA | 1 |
| 5 | 2 | | 6107-002654 | SPRING-TS; SUS304,PI0.45,ID6.5,OD7.4,RIGH | SC | 1 |
| 6 | 2 | | JC66-02217A | ACTUATOR-F_D FULL EXIT; CLX-9350,PC,Black | SA | 1 |
| 7 | 2 | | JC66-02218A | LEVER-ACTURATOR F_D FULL; CLX-9350,PC,HAZ | SA | 1 |
| 8 | 2 | | JC66-02278A | LEVER-ACT FULL EXIT; CLX-9350,PC,Black | SA | 1 |

Exploded Views and Parts List

| No. | Lvl. | Loc. | Material Code | Description & Specification | SNA | Qty. |
|-----|------|------|---------------|--|-----|------|
| 9 | 2 | | JC66-02423A | SHAFT-ACTUATOR F_D FULL EXIT; CLX-9350,SU | SNA | 1 |
| 10 | 2 | | JC90-01132A | EXIT-GUIDE UPPER; CLX-9201 | SNA | 1 |
| 11 | 2 | | JC90-01133A | EXIT-GUIDE LOWER; CLX-9201 | SNA | 1 |

3. CASSETTE-1ST

Exploded View



Parts List

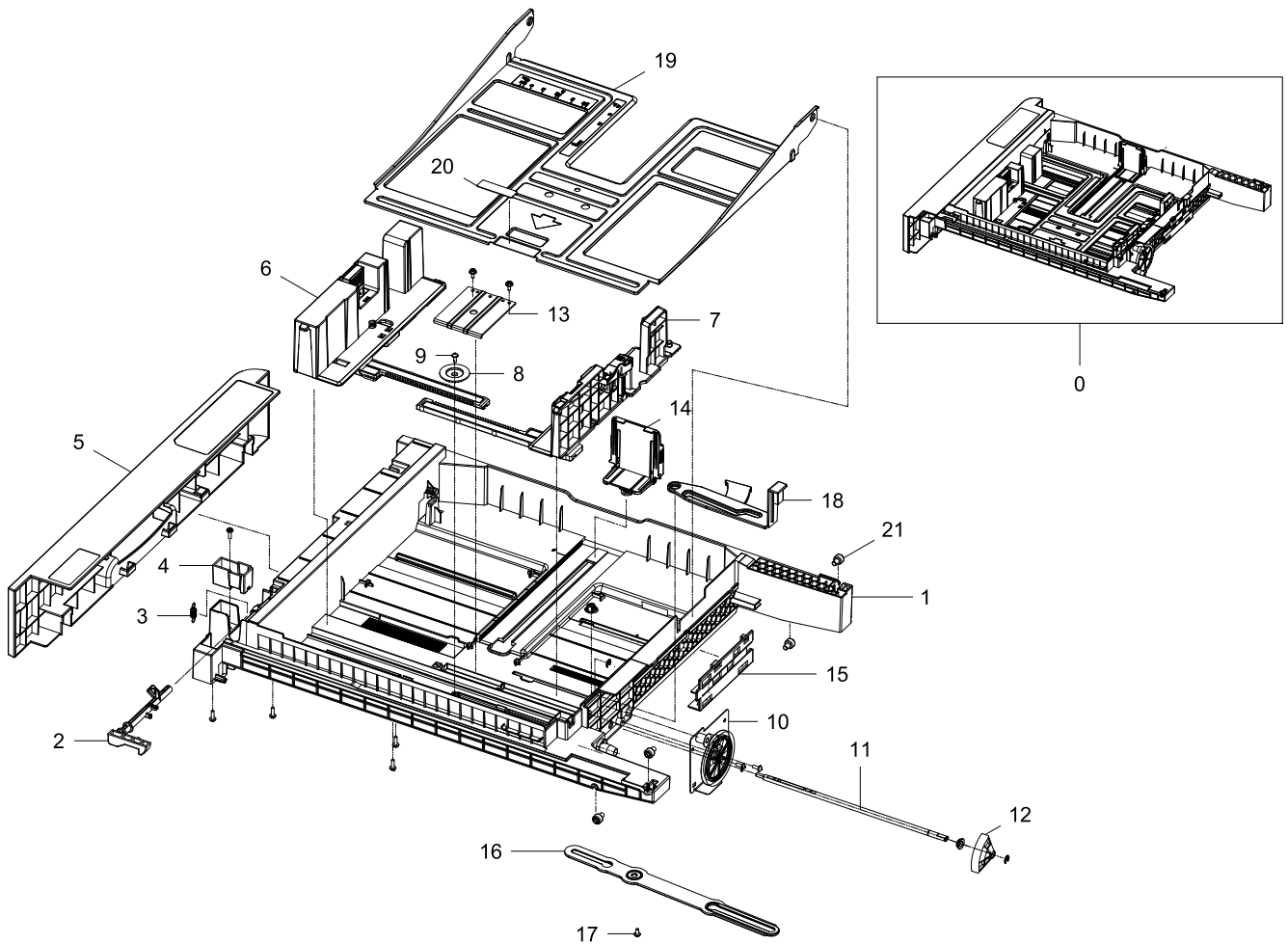
| No. | Lvl. | Loc. | Material Code | Description & Specification | SNA | Qty. |
|-----|------|-------|---------------|---|-----|------|
| 0 | 1 | | JC90-01140A | CASSETTE-1ST; CLX-9201,SEC | SA | 1 |
| 1 | 3 | | JC61-04712A | FRAME-CASSETTE 1ST; CLX-9201,HIPS,SPLIT G | SNA | 1 |
| 2 | 3 | | JC64-00715A | LOCKER-CASSETTE 1ST; CLX-9201,POM,BLACK,7 | SA | 1 |
| 3 | 3 | | 6107-001761 | SPRING-ES; SWPB,0.55,4.55,RIGHT,CLOSED | SA | 1 |
| 4 | 3 | | JC61-04886A | HOLDER-LOCKER; CLX-9201,HIPS,24,22.7,40.6 | SA | 1 |
| 5 | 2 | | JC90-01129A | CASSETTE-COVER; CLX-9201,SEC | SA | 1 |
| 6 | 3 | | JC90-01130A | CASSETTE-GUIDE FRONT; CLX-9201,SEC | SA | 1 |
| 7 | 3 | | JC90-01131A | CASSETTE-GUIDE REAR; CLX-9201,SEC | SA | 1 |
| 8 | 3 | I5678 | JC66-01020A | GEAR-M_PINION 24; SCX-6345N/XRX,POM,1,24, | SA | 1 |

Exploded Views and Parts List

| No. | Lvl. | Loc. | Material Code | Description & Specification | SNA | Qty. |
|-----|------|-------|---------------|--|-----|------|
| 9 | 3 | F9821 | 6002-000440 | SCREW-TAPPING; PWH,+2,M3,L8,ZPC(BLK),SWR | SNA | 3 |
| 10 | 3 | | JC90-01128A | CASSETTE-BRACKET LIFT; CLX-9201,SEC | SNA | 1 |
| 11 | 4 | | JC66-03285A | SHAFT-LIFTING CST; CLX-9201,SUM 23,231.3, | SNA | 1 |
| 12 | 3 | | JC90-01588A | CASSETTE SUB-LIFTING GEAR; CLX-9201 | SA | 1 |
| 13 | 3 | | JC61-03206A | PLATE-LEVER; CLX-9350,EGI-SECC,1.6T,73.6, | SA | 1 |
| 14 | 3 | | JC61-04718A | GUIDE-LEFT; CLX-9201,HIPS,64,79.3,ICE-GRE | SA | 1 |
| 15 | 3 | | JC64-00704A | INDICATOR-SIZE REAR; CLX-9201,POM,111.5X2 | SNA | 1 |
| 16 | 3 | | JC66-03202A | LEVER-LINK SIZE 1ST; CLX-9201,ABS,3,19.2, | SNA | 1 |
| 17 | 3 | F9907 | 6003-000264 | SCREW-TAPTYPE; PWH,+,-,B,M3,L6,ZPC(WHT),S | SNA | 4 |
| 18 | 3 | | JC64-00703A | INDICATOR-SIZE SIDE; CLX-9201,ABS,G72797, | SNA | 1 |
| 19 | 3 | | JC61-04767A | PLATE-KNOCK UP; CLX-9201,EGI-SECC,0.8T,36 | SNA | 1 |
| 20 | 3 | | JC62-00946A | SEAL-PAD CST; CLX-9201,CIGAL,BLK,0.7,47,1 | SNA | 1 |
| 21 | 3 | | JC61-03331A | ROLLER-IDLE CST; CLX-9350,POM,OD10,L16.5, | SA | 4 |

4. CASSETTE-2ND

Exploded View



Parts List

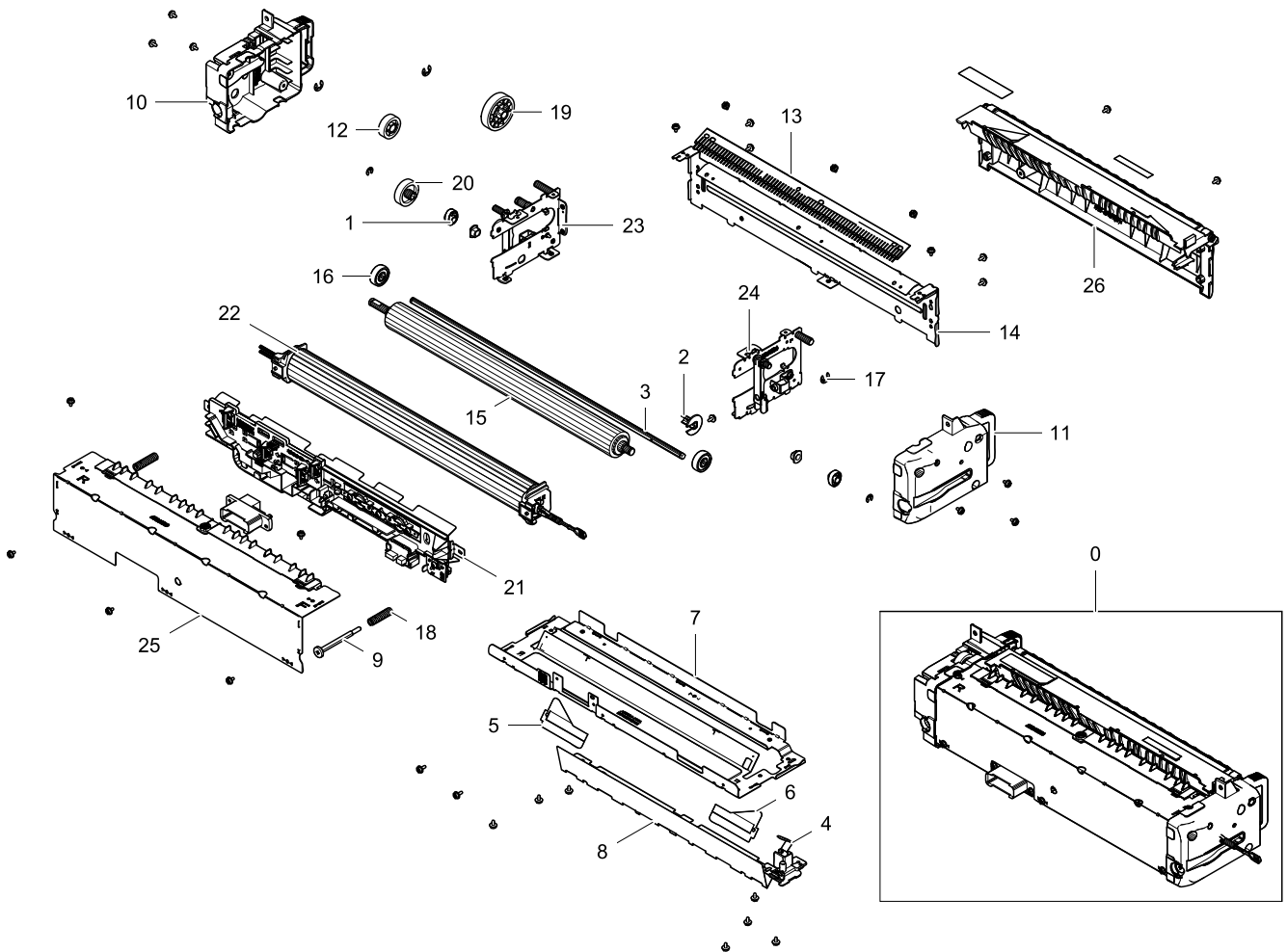
| No. | Lvl. | Loc. | Material Code | Description & Specification | SNA | Qty. |
|-----|------|-------|---------------|--|-----|------|
| 0 | 1 | | JC90-01141A | CASSETTE-2ND; CLX-9201,SEC | SA | 1 |
| 1 | 3 | | JC61-04713A | FRAME-CASSETTE 2ND; CLX-9201,HIPS,SPLIT G | SNA | 1 |
| 2 | 3 | | JC64-00716A | LOCKER-CASSETTE 2ND; CLX-9201,POM,BLACK,1 | SA | 1 |
| 3 | 3 | | 6107-001761 | SPRING-ES; SWPB,0.55,4.55,RIGHT,CLOSED | SA | 1 |
| 4 | 3 | | JC61-04886A | HOLDER-LOCKER; CLX-9201,HIPS,24,22.7,40.6 | SA | 1 |
| 5 | 2 | | JC90-01129A | CASSETTE-COVER; CLX-9201,SEC | SA | 1 |
| 6 | 3 | | JC90-01130A | CASSETTE-GUIDE FRONT; CLX-9201,SEC | SA | 1 |
| 7 | 3 | | JC90-01131A | CASSETTE-GUIDE REAR; CLX-9201,SEC | SA | 1 |
| 8 | 3 | I5678 | JC66-01020A | GEAR-M_PINION 24; SCX-6345N/XRX,POM,1,24, | SA | 1 |

Exploded Views and Parts List

| No. | Lvl. | Loc. | Material Code | Description & Specification | SNA | Qty. |
|-----|------|-------|---------------|--|-----|------|
| 9 | 3 | F9821 | 6002-000440 | SCREW-TAPPING; PWH,+2,M3,L8,ZPC(BLK),SWR | SNA | 3 |
| 10 | 3 | | JC90-01128A | CASSETTE-BRACKET LIFT; CLX-9201,SEC | SNA | 1 |
| 11 | 4 | | JC66-03285A | SHAFT-LIFTING CST; CLX-9201,SUM 23,231.3, | SNA | 1 |
| 12 | 3 | | JC90-01588A | CASSETTE SUB-LIFTING GEAR; CLX-9201 | SA | 1 |
| 13 | 3 | | JC61-03206A | PLATE-LEVER; CLX-9350,EGI-SECC,1.6T,73.6, | SA | 1 |
| 14 | 3 | | JC61-04718A | GUIDE-LEFT; CLX-9201,HIPS,64,79.3,ICE-GRE | SA | 1 |
| 15 | 3 | | JC64-00704A | INDICATOR-SIZE REAR; CLX-9201,POM,111.5X2 | SNA | 1 |
| 16 | 3 | | JC66-03201A | LEVER-LINK SIZE 2ND; CLX-9201,ABS,21.2,19 | SNA | 1 |
| 17 | 3 | F9907 | 6003-000264 | SCREW-TAPTYPE; PWH,+,-,B,M3,L6,ZPC(WHT),S | SNA | 4 |
| 18 | 3 | | JC64-00703A | INDICATOR-SIZE SIDE; CLX-9201,ABS,G72797, | SNA | 1 |
| 19 | 3 | | JC61-04767A | PLATE-KNOCK UP; CLX-9201,EGI-SECC,0.8T,36 | SNA | 1 |
| 20 | 3 | | JC62-00946A | SEAL-PAD CST; CLX-9201,CIGAL,BLK,0.7,47,1 | SNA | 1 |
| 21 | 3 | | JC61-03331A | ROLLER-IDLE CST; CLX-9350,POM,OD10,L16.5, | SA | 4 |

5. FUSER

Exploded View



Parts List

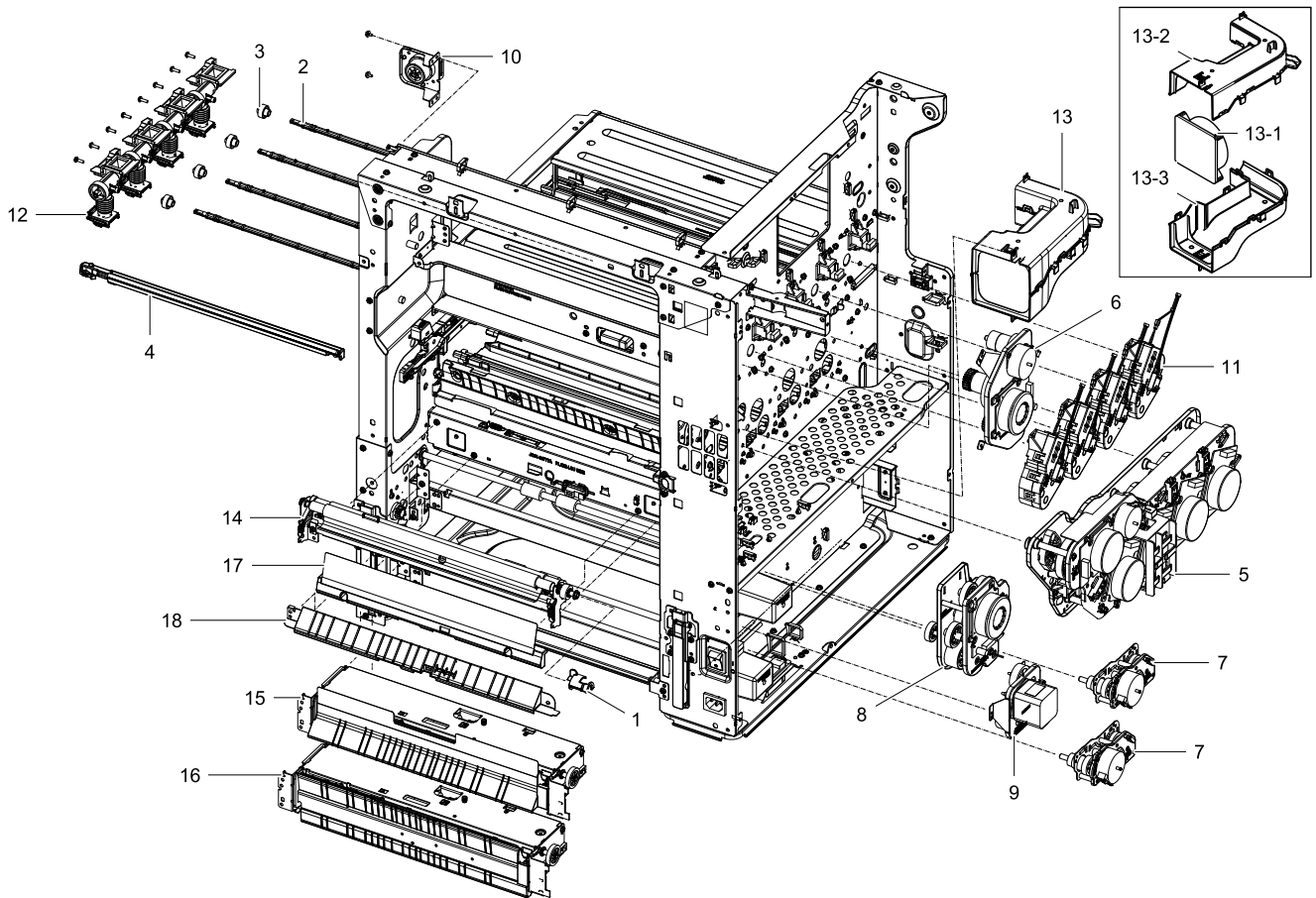
| No. | Lvl. | Loc. | Material Code | Description & Specification | SNA | Qty. |
|-----|------|------|---------------|--|-----|------|
| 0 | 1 | | JC91-01063A | FUSER; CLX-9201,SEC,WORLD,230V | SA | 1 |
| 1 | 2 | | JC66-03299A | CAM-REAR; CLX-9201,POM,W13.2,D16,H5.2,BLA | SA | 2 |
| 2 | 2 | | JC61-04527A | HOLDER-ENCORDER PRESSURE; CLX-9201,PET+GF | SA | 1 |
| 3 | 2 | | JC66-03161A | SHAFT-CAM; CLX-9201,SUM22,L405,PI6 | SA | 1 |
| 4 | 2 | | JC91-01056A | FUSER-BIAS; CLX-9201,SEC,EXP | SNA | 1 |
| 5 | 2 | | JC01-00075A | FILM-FUSER REAR; PI FILM,T0.225,BROWN | SNA | 1 |
| 6 | 2 | | JC01-00074A | FILM-FUSER FRONT; PI FILM,T0.225,BROWN | SNA | 1 |
| 7 | 2 | | JC61-04552A | BRACKET-FUSER BOTTOM; CLX-9201,EGI-SECC,T | SA | 1 |
| 8 | 2 | | JC61-04546A | BRACKET-INLET GUIDE; CLX-9201,SUS304,T0.5 | SA | 1 |

Exploded Views and Parts List

| No. | Lvl. | Loc. | Material Code | Description & Specification | SNA | Qty. |
|-----|------|-------|---------------|--|-----|------|
| 9 | 2 | | JC66-03162A | SHAFT-PRESSURE; CLX-9201,SWRCH18A,L47.3,5 | SA | 2 |
| 10 | 2 | | JC61-04532A | FRAME-FUSER REAR; CLX-9201,PET+GF,T2.0,W1 | SA | 1 |
| 11 | 2 | | JC61-04531A | FRAME-FUSER FRONT; CLX-9201,PET+GF,T2.0,W | SA | 1 |
| 12 | 2 | | JC66-03145A | GEAR-IDLE FUSER; CLX-9201,PA66,1.0,23,25 | SA | 1 |
| 13 | 2 | | JC67-00554A | BRUSH-FUSER OUTPUT; CLX-9201,SUS FIBER,0. | SA | 1 |
| 14 | 2 | | JC61-04557A | BRACKET-FUSER BACK; CLX-9201,EGI-SECC,T0. | SNA | 1 |
| 15 | 2 | | JC66-03258A | ROLLER FUSER-PRESSURE; CLX-9201,22,SUM22, | SA | 1 |
| 16 | 2 | | 6601-002683 | BEARING BALL; 608ZZ M5MTLY500,ID8,OD22,60 | SNA | 2 |
| 17 | 2 | L4041 | 6044-000129 | RING-E; ID6,OD12,T0.8,ZPC(WHT),STSC | SA | 3 |
| 18 | 2 | | 6107-003007 | SPRING-CS; SWP B,CD1.4,L29.5,ID5.2,OD8.0 | SNA | 2 |
| 19 | 2 | | JC66-03144A | GEAR-PR; CLX-9201,PPS+GF,1.0,38,40 | SA | 1 |
| 20 | 2 | | JC66-03143A | GEAR-FUSER PRESSURE; CLX-9201,PA66,1.0,26 | SA | 1 |
| 21 | 2 | | JC91-01060A | FUSER-BRACKET BELT; CLX-9201,SEC,EXP | SNA | 1 |
| 22 | 2 | | JC91-01061A | FUSER-BELT; CLX-9201,SEC,EXP | SNA | 1 |
| 23 | 2 | | JC91-01058A | FUSER-BRACKET REAR; CLX-9201,SEC,EXP | SNA | 1 |
| 24 | 2 | | JC91-01057A | FUSER-BRACKET FRONT; CLX-9201,SEC,EXP | SNA | 1 |
| 25 | 2 | | JC91-01059A | FUSER-BRACKET TOP; CLX-9201,SEC,EXP | SNA | 1 |
| 26 | 2 | | JC91-01055A | FUSER-GUIDE DUPLEX; CLX-9201,SEC,EXP | SNA | 1 |

6. FRAME-MAIN ENGINE

Exploded View



Parts List

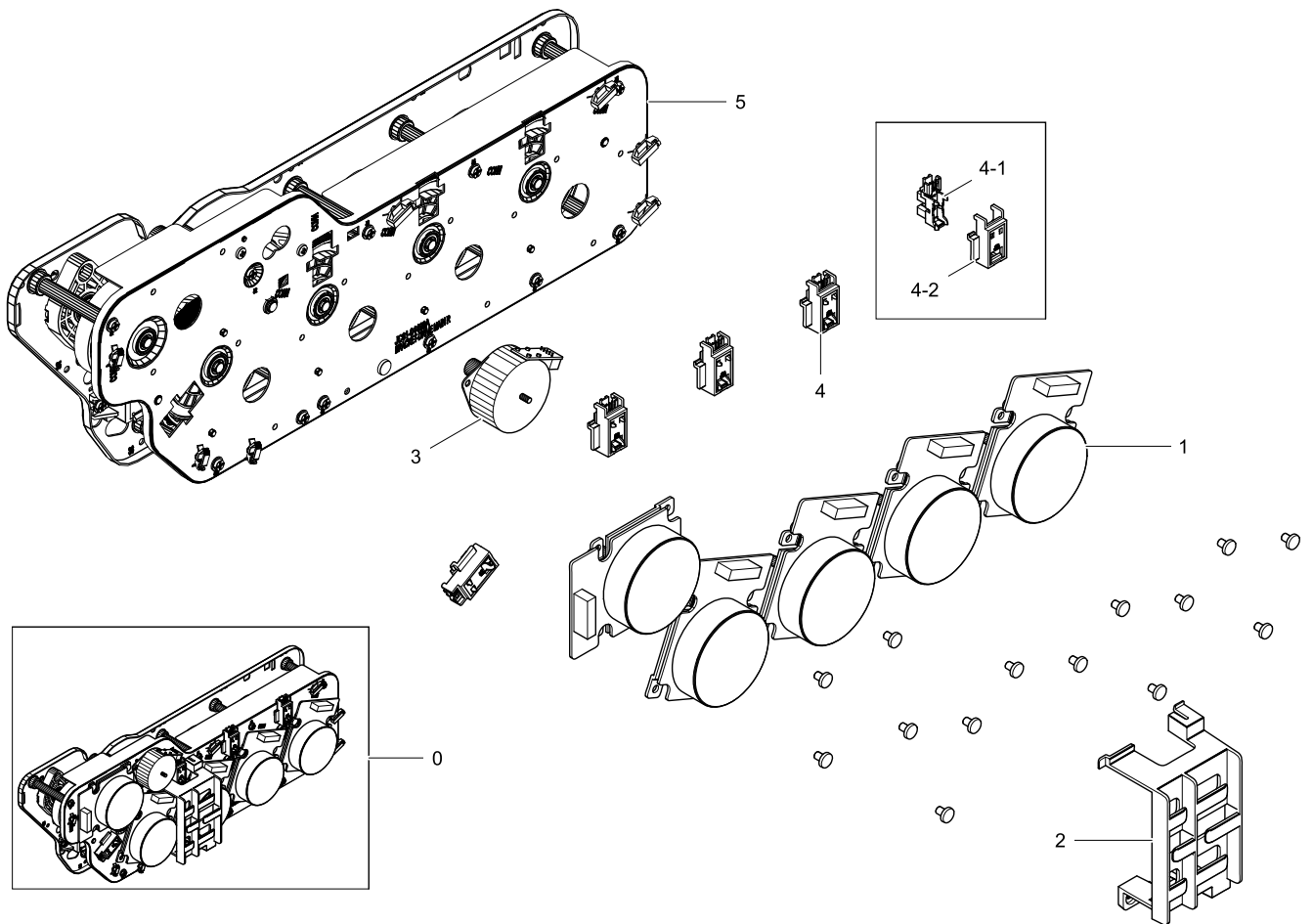
| No. | Lvl. | Loc. | Material Code | Description & Specification | SNA | Qty. |
|-----|------|------|---------------|--|-----|------|
| 1 | 2 | | JC61-04900A | STOPPER-REGI; CLX-9201,ABS+PC,25.8,6.6,NH | SNA | 1 |
| 2 | 3 | | JC66-03164A | LINK-FEEDING DUCT; CLX-9201,ABS+PC,8.0,BL | SA | 4 |
| 3 | 3 | | JC66-03166A | GEAR-IDLE FEEDING DUCT; CLX-9201,POM,0.8, | SNA | 4 |
| 4 | 2 | | JC93-00078B | FRAME-REGI HOLDER DUST; SCX-8040,SEC,WORL | SA | 1 |
| 5 | 3 | | JC93-00440A | DRIVE MAIN; CLX-9201NA,SEC | SA | 1 |
| 6 | 3 | | JC93-00441A | DRIVE FUSER-EXIT; SEC,1.1,47*8.9,75,GRAY, | SA | 1 |
| 7 | 3 | | JC93-00442A | DRIVE-PICKUP; SEC,5,BLACK,CLX-9201NA | SA | 2 |
| 8 | 3 | | JC93-00443A | DRIVE-REGI MP; SEC,CLX-9201NA | SA | 1 |
| 9 | 3 | | JC93-00444A | DRIVE-FEED; SEC,16,60',BLACK,CLX-9201NA | SA | 1 |
| 10 | 3 | | JC93-00445A | DRIVE-WTB; SEC,ID10,BLACK,PORON LE-20,CLX | SA | 1 |

Exploded Views and Parts List

| No. | Lvl. | Loc. | Material Code | Description & Specification | SNA | Qty. |
|------|------|------|---------------|--|-----|------|
| 11 | 3 | | JC93-00446A | DRIVE-TONER SUPPLY; SEC,L46,NTR,PART,CLX- | SA | 4 |
| 12 | 2 | | JC93-00483A | FRAME MAIN-DUCT TONER; CLX-9201,SEC,WORLD | SA | 4 |
| 13 | 2 | | JC93-00497A | FRAME MAIN-DUCT FUSER; CLX-9201,SEC,WORLD | SNA | 1 |
| 13-1 | 3 | | JC31-00161A | FAN; Type7,24,170mA,0.949m ³ /mi | SA | 1 |
| 13-2 | 3 | | JC67-00570A | DUCT-FUSER UPPER; CLX-9201,ABS,42.5,169.5 | SA | 1 |
| 13-3 | 3 | | JC67-00571A | DUCT-FUSER LOWER; CLX-9201,ABS,170,HF-066 | SA | 1 |
| 14 | 2 | | JC93-00508A | FRAME-MAIN REGI; CLX-9201 | SA | 1 |
| 15 | 2 | | JC93-00511A | FRAME MAIN-PICKUP 1ST; CLX-9201,SEC | SA | 1 |
| 16 | 2 | | JC93-00512A | FRAME MAIN-PICKUP 2ND; CLX-9201,SEC,WORLD | SA | 1 |
| 17 | 2 | | JC93-00536A | FRAME MAIN-FEED 1ST COLOR; CLX-9201,SEC | SNA | 1 |
| 18 | 2 | | JC93-00537A | FRAME MAIN-FEED 2ND; CLX-9201,SEC | SNA | 1 |

6.1. DRIVE MAIN

Exploded View

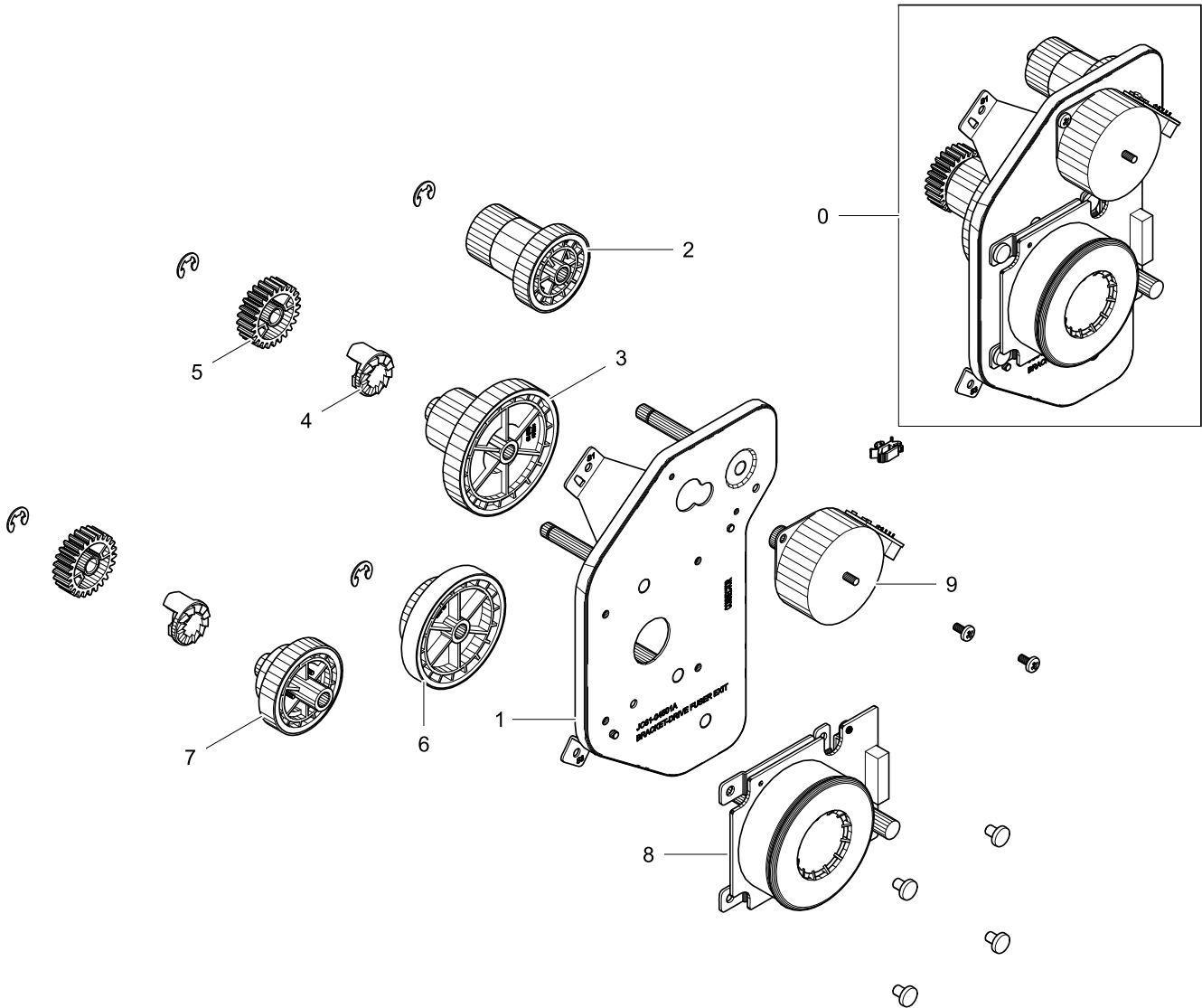


Parts List

| No. | Lvl. | Loc. | Material Code | Description & Specification | SNA | Qty. |
|-----|------|-------|---------------|--|-----|------|
| 0 | 3 | | JC93-00440A | DRIVE MAIN; CLX-9201NA,SEC | SA | 1 |
| 1 | 4 | | JC31-00123A | MOTOR BLDC; 2000rpm,1200gfcM,24V,2.8A,150 | SA | 5 |
| 2 | 4 | | JC61-04540A | HOLDER-HARNESS DRIVE; CLX-9201NA,HIPS,BLA | SNA | 1 |
| 3 | 4 | | JC93-00452C | DRIVE-MOTOR STEP; CLX-8650ND,SEC | SNA | 2 |
| 4 | 4 | | JC93-00506A | DRIVE MAIN-SENSOR OPC; CLX-9201NA,SEC | SNA | 4 |
| 4-1 | 5 | E9322 | 0604-001393 | PHOTO-INTERRUPTER; TR,75mW,BGA,TR | SA | 4 |
| 4-2 | 5 | | JC61-04538A | HOLDER-SENSOR OPC; CLX-9201NA,ABS,Black | SA | 4 |
| 5 | 4 | | JC93-00723A | DRIVE-MAIN SUB COLOR; CLX-9201NA,SEC | SNA | 1 |

6.2. DRIVE FUSER-EXIT

Exploded View



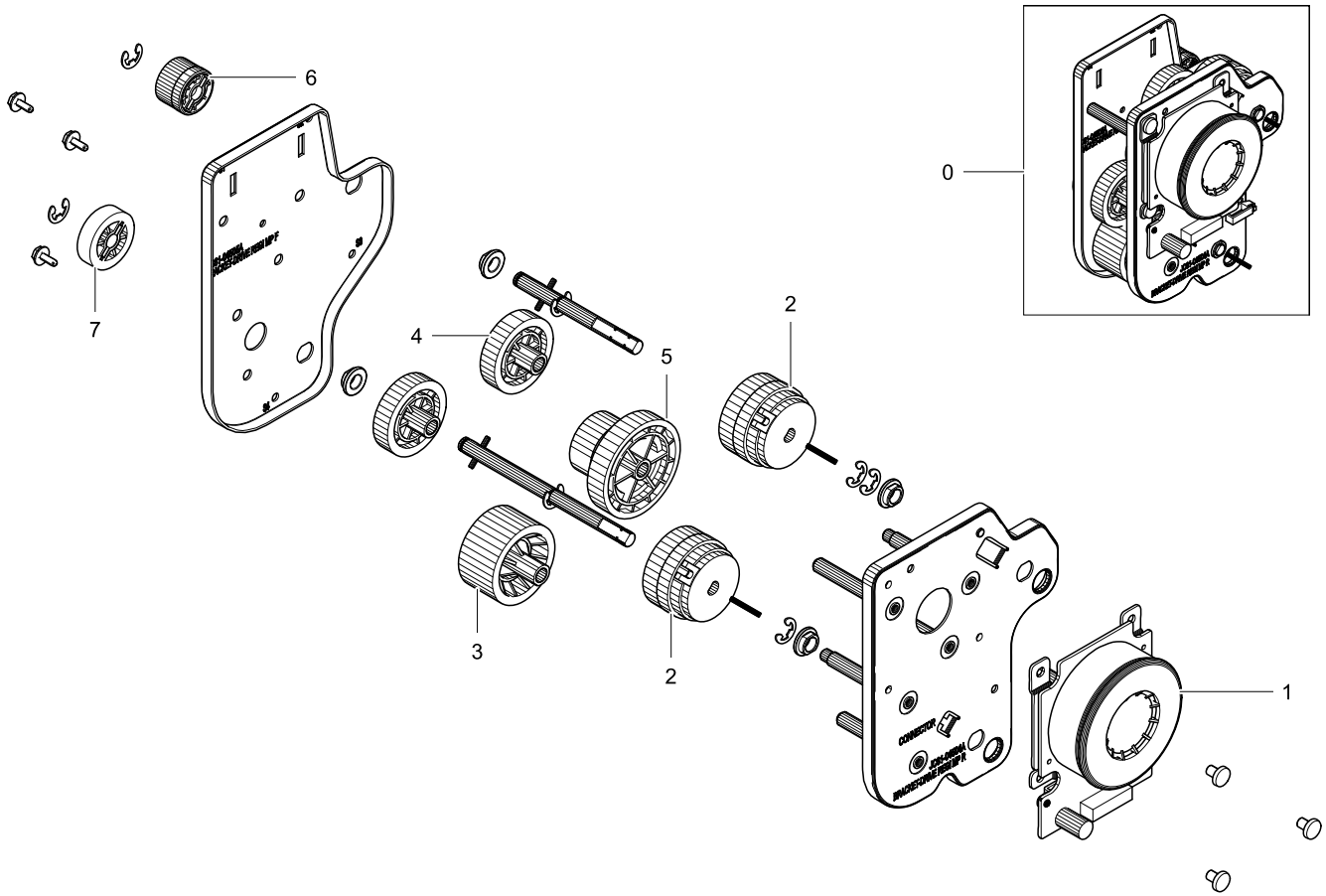
Parts List

| No. | Lvl. | Loc. | Material Code | Description & Specification | SNA | Qty. |
|-----|------|-------|---------------|--|-----|------|
| 0 | 3 | | JC93-00441A | DRIVE FUSER-EXIT; SEC,1.1,47*8.9,75,GRAY, | SA | 1 |
| 1 | 4 | | JC61-04501A | BRACKET-DRIVE FUSER EXIT; CLX-9201NA,EGI- | SNA | 1 |
| 2 | 4 | | JC66-03108A | GEAR-RDCN EXIT; CLX-9201NA,POM,0.8,1.0,41 | SA | 1 |
| 3 | 4 | | JC66-03105A | GEAR-FUSER ONE WAY; CLX-9201NA,POM,0.5,10 | SA | 1 |
| 4 | 4 | C3424 | JC66-00340A | GEAR-HUB CLUTCH; POM,18.5,10.4,11.3,NW-02 | SA | 2 |
| 5 | 4 | I5889 | JC66-00417A | GEAR-RDCN FUSER OUT; ML-2150,NYLON,1,25,8 | SA | 2 |

| No. | Lvl. | Loc. | Material Code | Description & Specification | SNA | Qty. |
|-----|------|------|---------------|--|-----|------|
| 6 | 4 | | JC66-03106A | GEAR-RDCN FUSER RELEASE; CLX-9201NA,POM,0 | SA | 1 |
| 7 | 4 | | JC66-03107A | GEAR-FUSER RELEASE; CLX-9201NA,POM,0.8,43 | SA | 1 |
| 8 | 4 | | JC31-00123B | MOTOR BLDC; 2000rpm,1200gfcM,24V,2.8A,150 | SA | 1 |
| 9 | 4 | | JC93-00452C | DRIVE-MOTOR STEP; CLX-8650ND,SEC | SNA | 2 |

6.3. DRIVE-REGI MP

Exploded View

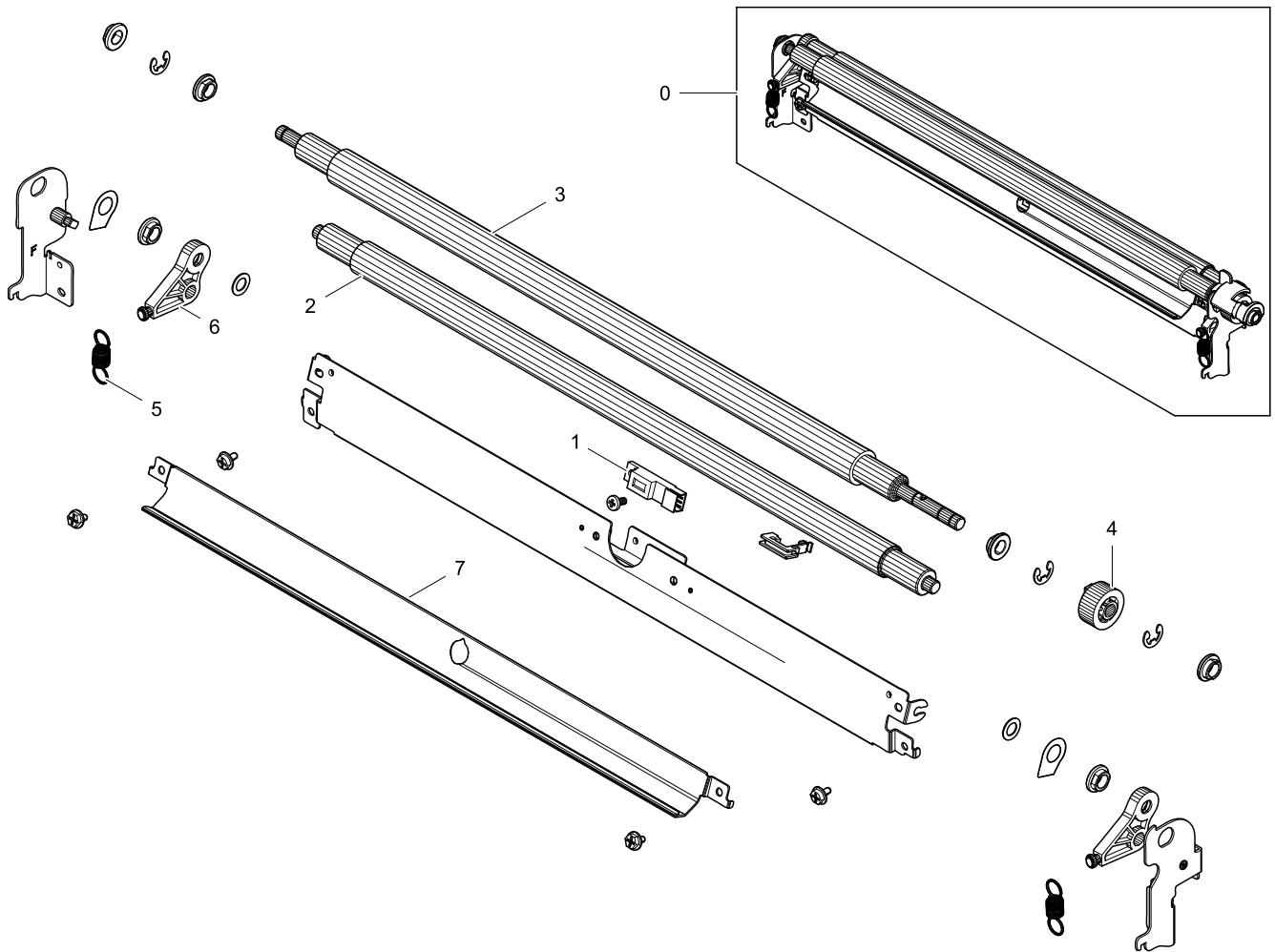


Parts List

| No. | Lvl. | Loc. | Material Code | Description & Specification | SNA | Qty. |
|-----|------|------|---------------|--|-----|------|
| 0 | 3 | | JC93-00443A | DRIVE-REGI MP; SEC,CLX-9201NA | SA | 1 |
| 1 | 4 | | JC31-00123B | MOTOR BLDC; 2000rpm,1200gfc,24V,2.8A,150 | SA | 1 |
| 2 | 4 | | JC47-00037A | CLUTCH-ELECTRIC; 5,32,1,120mA,200Ohm | SA | 2 |
| 3 | 4 | | JC66-03118A | GEAR-DRIVE FEED B; CLX-9201NA,POM,1.0,33, | SA | 1 |
| 4 | 4 | | JC66-03115A | GEAR-IDLE REGI; CLX-9201NA,POM,1.0,31,SPU | SA | 2 |
| 5 | 4 | | JC66-03114A | GEAR-RDCN REGI; CLX-9201NA,POM,0.5,1.0,79 | SA | 1 |
| 6 | 4 | | JC66-03116A | GEAR-DRIVE REGI; CLX-9201NA,POM,0.8,22,SP | SA | 1 |
| 7 | 4 | | JC66-03117A | GEAR-DRIVE MP; CLX-9201NA,POM,1.0,23,SPUR | SA | 1 |

6.4. FRAME-MAIN REGI

Exploded View

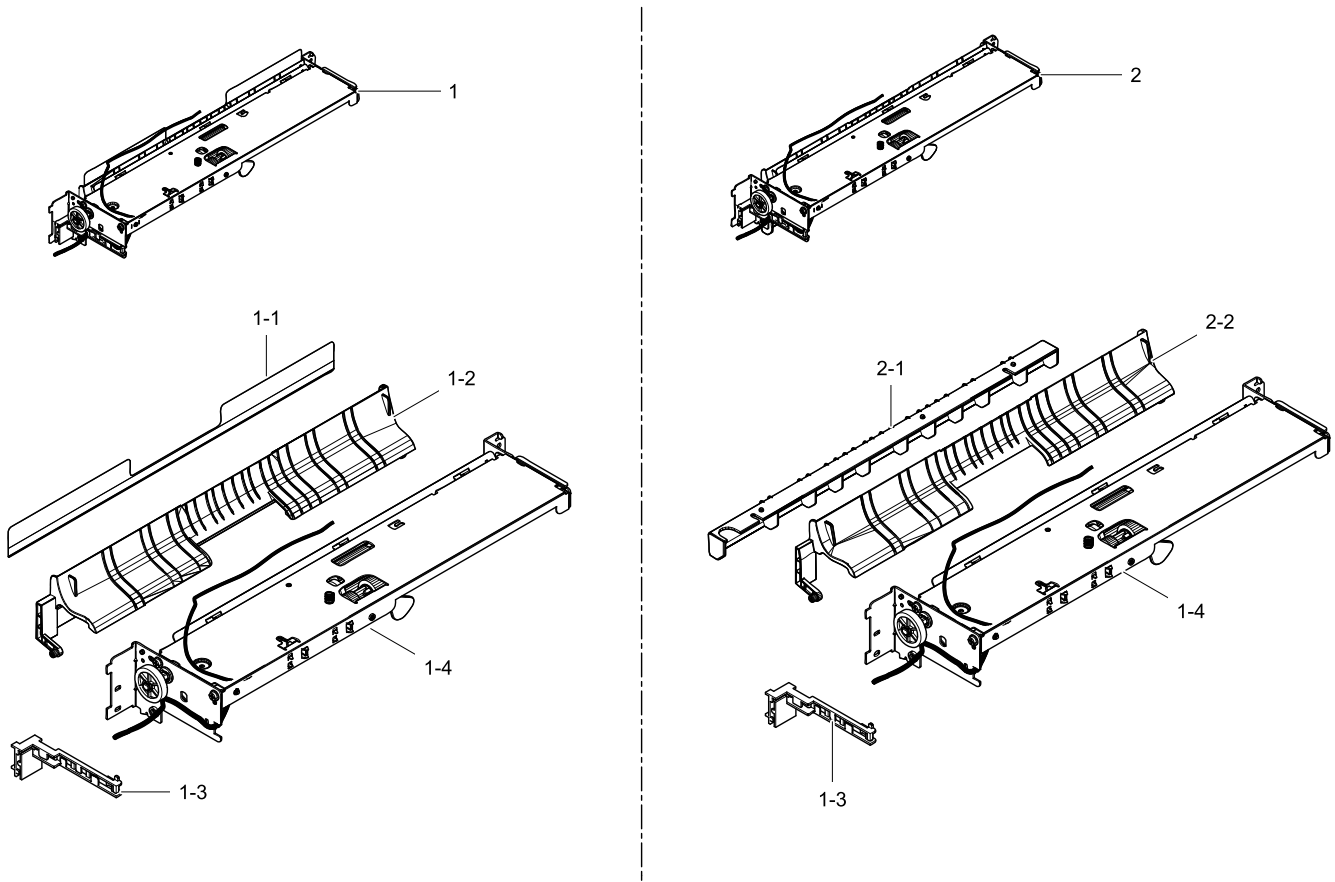


Parts List

| No. | Lvl. | Loc. | Material Code | Description & Specification | SNA | Qty. |
|-----|------|------|---------------|--|-----|------|
| 0 | 2 | | JC93-00508A | FRAME-MAIN REGI; CLX-9201 | SA | 1 |
| 1 | 3 | | 0604-001381 | PHOTO-INTERRUPTER; DIODE,DIP | SA | 1 |
| 2 | 3 | | JC66-03302A | SHAFT-REGI; CLX-9201,SUM 23,361.9,14.7,ST | SNA | 1 |
| 3 | 3 | | JC66-03180A | ROLLER IDLE-REGI; CLX-9201,EPDM,SUM22,12 | SA | 1 |
| 4 | 3 | | JC66-03293A | GEAR-ROLLER REGI; CLX-9201,POM,0.8,21,NAT | SNA | 1 |
| 5 | 3 | | 6107-003302 | SPRING-ES; SWPB,0.9,22.4,8.1 | SNA | 2 |
| 6 | 3 | | JC61-04897A | HOLDER-SHAFT REGI; CLX-9201,POM,5,BLACK,A | SNA | 2 |
| 7 | 3 | | JC61-04685A | BRACKET-REGI UPPER; CLX-9201,EGI-SECC,T0. | SNA | 1 |

6.5. FRAME MAIN-PICKUP1_2

Exploded View

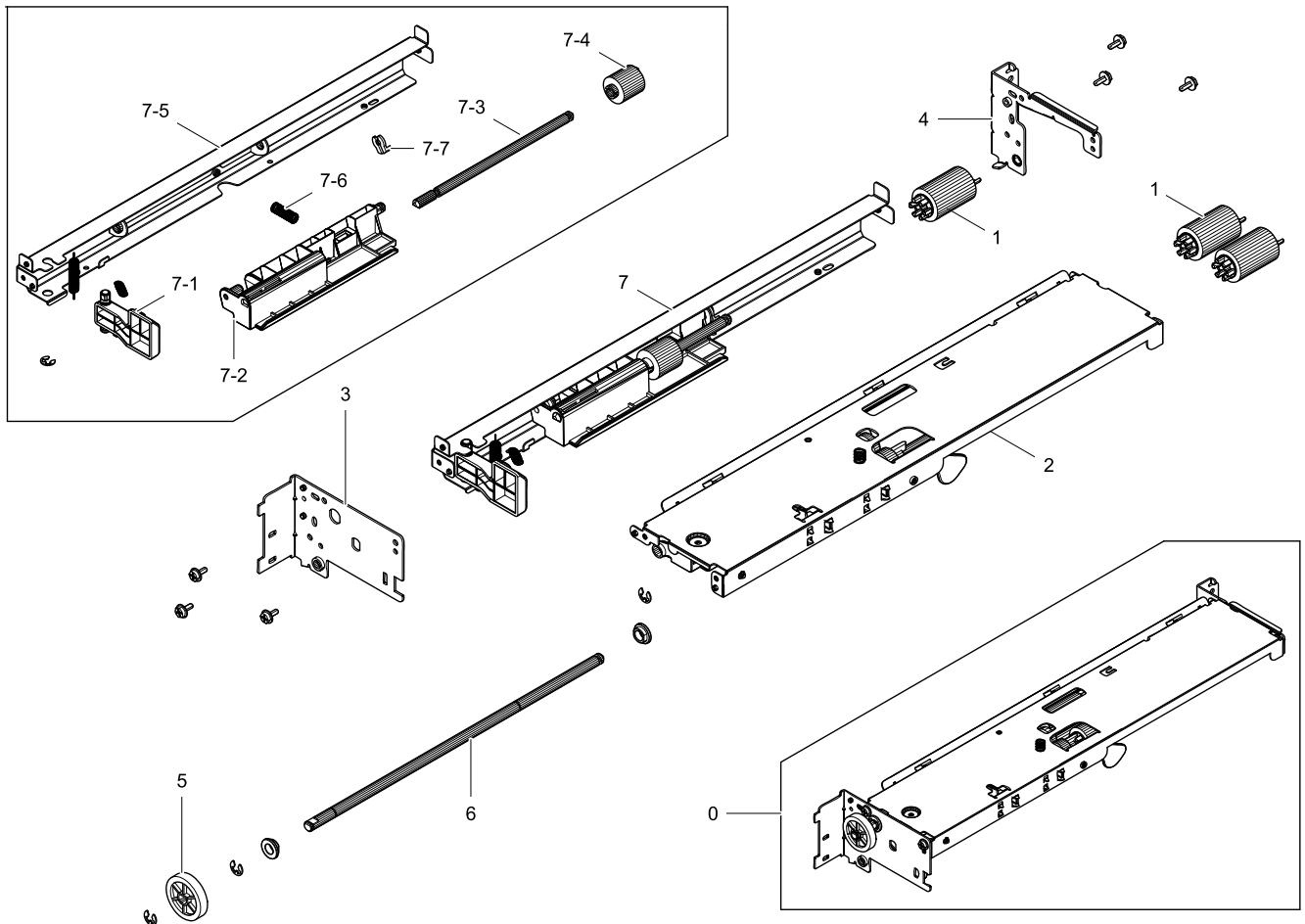


Parts List

| No. | Lvl. | Loc. | Material Code | Description & Specification | SNA | Qty. |
|-----|------|------|---------------|--|-----|------|
| 1 | 2 | | JC93-00511A | FRAME MAIN-PICKUP 1ST; CLX-9201,SEC | SA | 1 |
| 1-1 | 3 | | JC63-03342A | SHEET-GUIDE PICKUP; CLX-9210,PET,0.188,32 | SA | 1 |
| 1-2 | 3 | | JC61-04721A | GUIDE-PICKUP 1ST; CLX-9201,ABS,328.5,50.5 | SA | 1 |
| 1-3 | 3 | | JC61-04723A | GUIDE-HARNESS PICKUP; CLX-9201,ABS,84.22, | SNA | 1 |
| 1-4 | 3 | | JC93-00510A | FRAME MAIN-PICKUP; CLX-9201,SEC | SA | 1 |
| 2 | 2 | | JC93-00512A | FRAME MAIN-PICKUP 2ND; CLX-9201,SEC,WORLD | SA | 1 |
| 2-1 | 3 | | JC61-04735A | GUIDE-PICKUP BOTTOM; CLX-9201,ABS,16.8,33 | SNA | 1 |
| 2-2 | 3 | | JC61-04717A | GUIDE-PICKUP 2ND; CLX-9201,ABS,328.5,HF-0 | SA | 1 |

6.5.1. FRAME MAIN-PICKUP

Exploded View



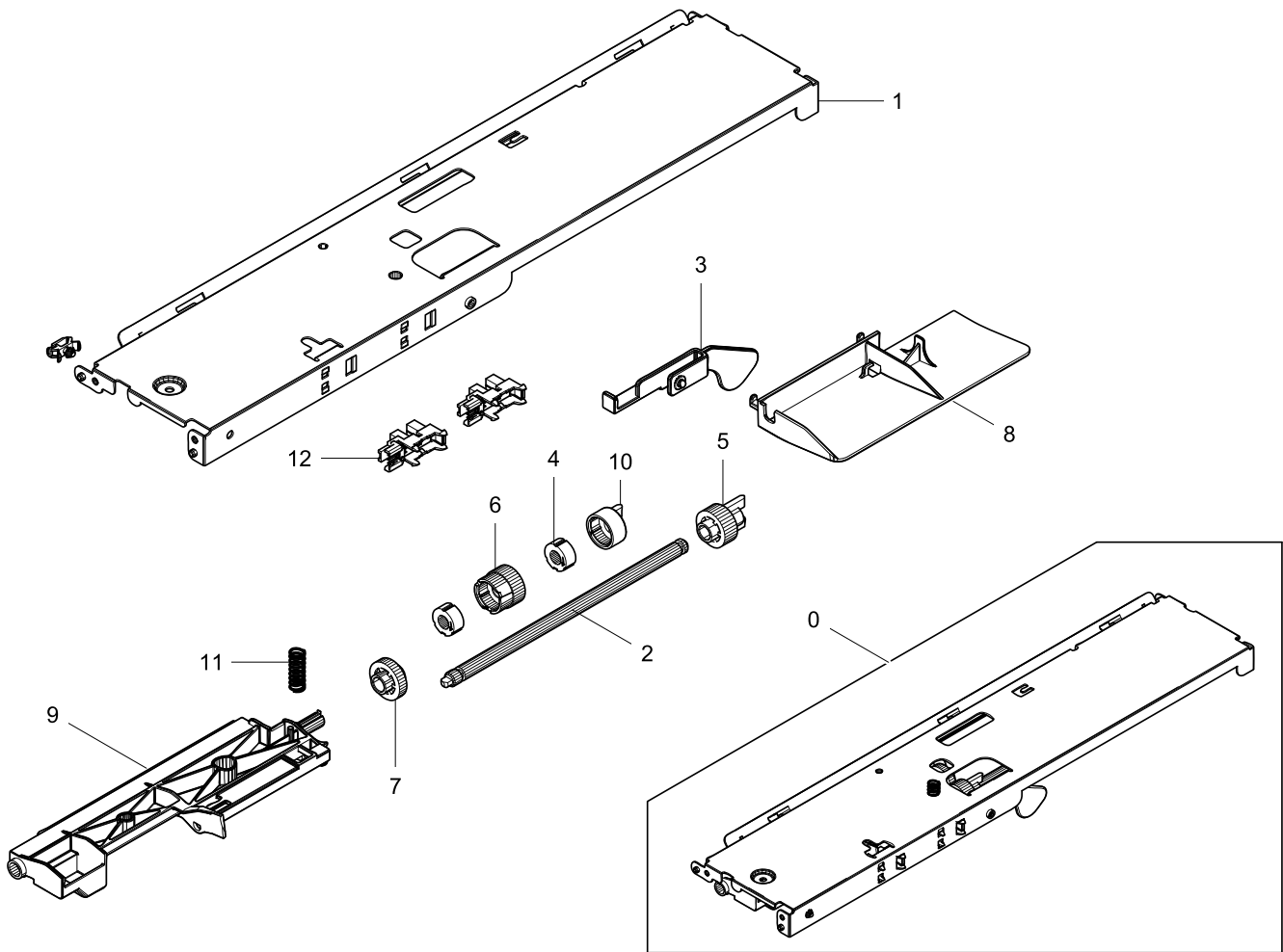
Parts List

| No. | Lvl. | Loc. | Material Code | Description & Specification | SNA | Qty. |
|-----|------|------|---------------|--|-----|------|
| 0 | 3 | | JC93-00510A | FRAME MAIN-PICKUP; CLX-9201,SEC | SA | 1 |
| 1 | 4 | | JC93-00540A | FRAME-MAIN PICK UP ROLLER; CLX-9201,0,EXP | SA | 3 |
| 2 | 4 | | JC93-00504A | FRAME MAIN-PICKUP UPPER; CLX-9201,SEC | SA | 1 |
| 3 | 4 | | JC61-04731A | BRACKET-PICKUP REAR; CLX-9201,EGI-SECC,1. | SNA | 1 |
| 4 | 4 | | JC61-04730A | BRACKET-PICKUP FRONT; CLX-9201,EGI-SECC,1 | SNA | 1 |
| 5 | 4 | | JC66-03281A | GEAR-PICKUP; CLX-9201,POM,0.8,31,NATURAL(| SNA | 1 |
| 6 | 4 | | JC66-03304A | SHAFT-FORWARD; CLX-9201,STS430,225.3,6,ST | SNA | 1 |
| 7 | 4 | | JC93-00503A | FRAME MAIN-PICKUP LOWER; CLX-9201,SEC | SA | 1 |
| 7-1 | 5 | | JC66-03200A | LEVER-INPUT CST; CLX-9201,POM,52.9,28.7,M | SNA | 1 |

| No. | Lvl. | Loc. | Material Code | Description & Specification | SNA | Qty. |
|-----|------|-------|---------------|--|-----|------|
| 7-2 | 5 | | JC61-04732A | HOLDER-RETARD; CLX-9201,POM,137,BLACK,M90 | SNA | 1 |
| 7-3 | 5 | | JC66-03283A | SHAFT-RETARD; CLX-9201,SUM23,137,6,STEEL | SNA | 1 |
| 7-4 | 5 | | JC67-00455A | COUPLER-TORQUELIMITER; CLX-9350,WHITE,350 | SA | 1 |
| 7-5 | 5 | | JC93-00438A | FRAME MAIN-PICKUP BRKT LOWER; CLX-9201,SE | SNA | 1 |
| 7-6 | 5 | | 6107-003049 | SPRING-CS; SWP B,0.5,26,7.5,FREE,CLOSED E | SNA | 1 |
| 7-7 | 5 | 14806 | JC61-01367A | FIXER_M_E RING 4PI; SCX-6345N/XRX,POM,T1. | SA | 1 |

6.5.1.1. FRAME MAIN-PICKUP UPPER

Exploded View

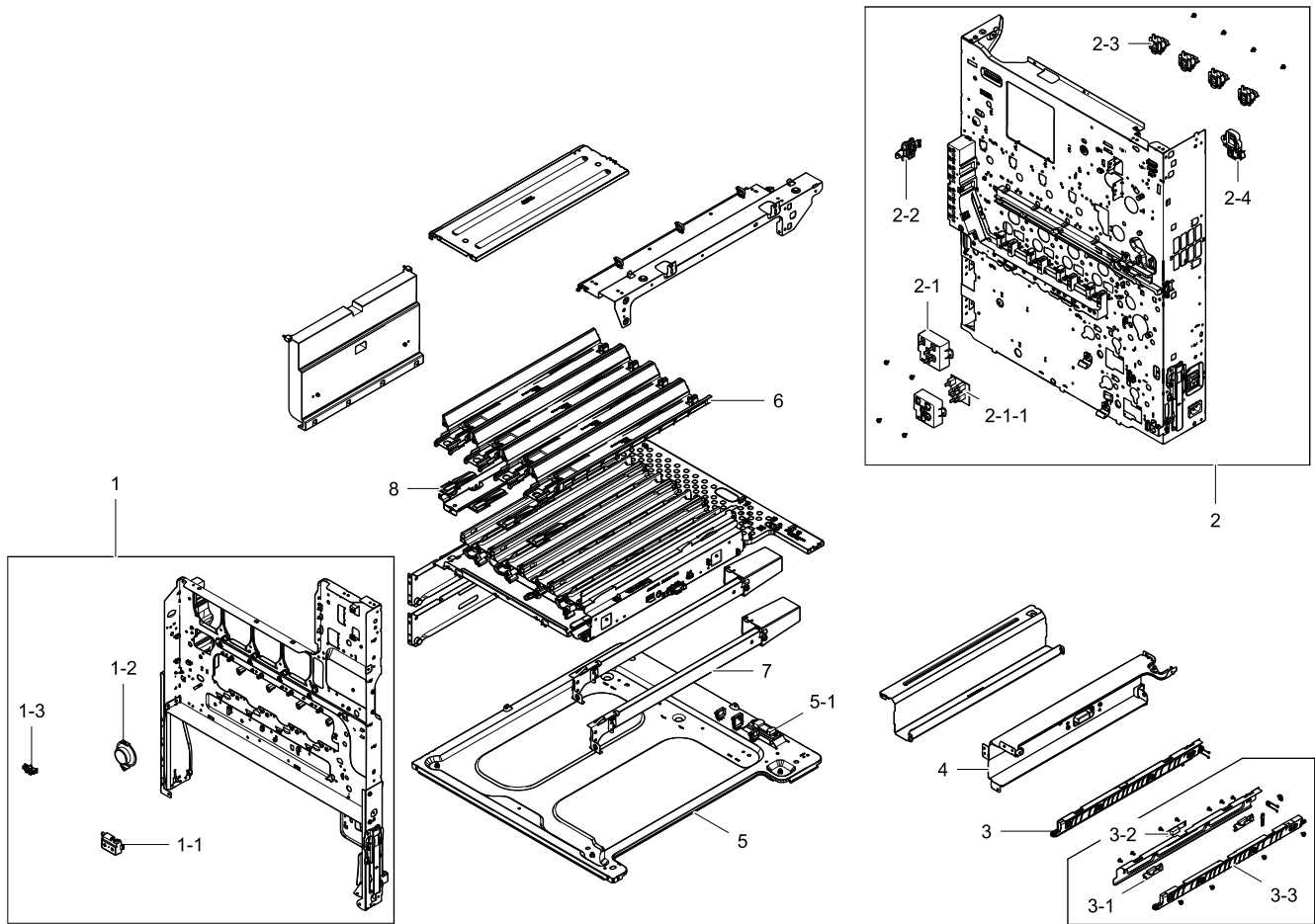


Parts List

| No. | Lvl. | Loc. | Material Code | Description & Specification | SNA | Qty. |
|-----|------|-------|---------------|--|-----|------|
| 0 | 4 | | JC93-00504A | FRAME MAIN-PICKUP UPPER; CLX-9201,SEC | SA | 1 |
| 1 | 5 | | JC93-00437A | FRAME MAIN-PICKUP BRKT UPPER; CLX-9201,SE | SNA | 1 |
| 2 | 5 | | JC66-03284A | SHAFT-PICKUP; CLX-9201,SUM23,129,6,STEEL | SNA | 1 |
| 3 | 5 | | JC66-03199A | ACTUATOR-EMPTY PICKUP; CLX-9201,POM,M90-4 | SA | 1 |
| 4 | 5 | H3704 | JC66-00977A | CLUTCH-P_ONE WAY; SCX-6345N/XRX,STS304,0. | SA | 2 |
| 5 | 5 | I5681 | JC66-00943A | GEAR-M_PU JOINT; SCX-6345N/XRX,POM,0.7,21 | SA | 1 |
| 6 | 5 | I5669 | JC66-00941A | GEAR-M_ONE WAY; SCX-6345N/XRX,POM,0.7,21, | SA | 1 |
| 7 | 5 | I5652 | JC66-00940A | GEAR-M_IDLE PU; SCX-6345N/XRX,POM,0.7,22, | SA | 1 |
| 8 | 5 | | JC61-04722A | GUIDE-SLIDE PICKUP; CLX-9201,POM,110,45.6 | SNA | 1 |
| 9 | 5 | | JC61-07770A | GUIDE-SUPPORT PICKUP; X3220,PC,158.6,NH-1 | SNA | 1 |
| 10 | 5 | I7155 | JC61-01288A | HOLDER-M_IDLE ONE WAY; SCX-6345N/XRX,POM, | SA | 1 |
| 11 | 5 | | 6107-003046 | SPRING-CS; STAINLESS-STS304,0.5,33,7.5,RI | SNA | 1 |
| 12 | 5 | E9322 | 0604-001393 | PHOTO-INTERRUPTER; TR,75mW,BGA,TR | SA | 2 |

6.6. FRAME-MAIN

Exploded View



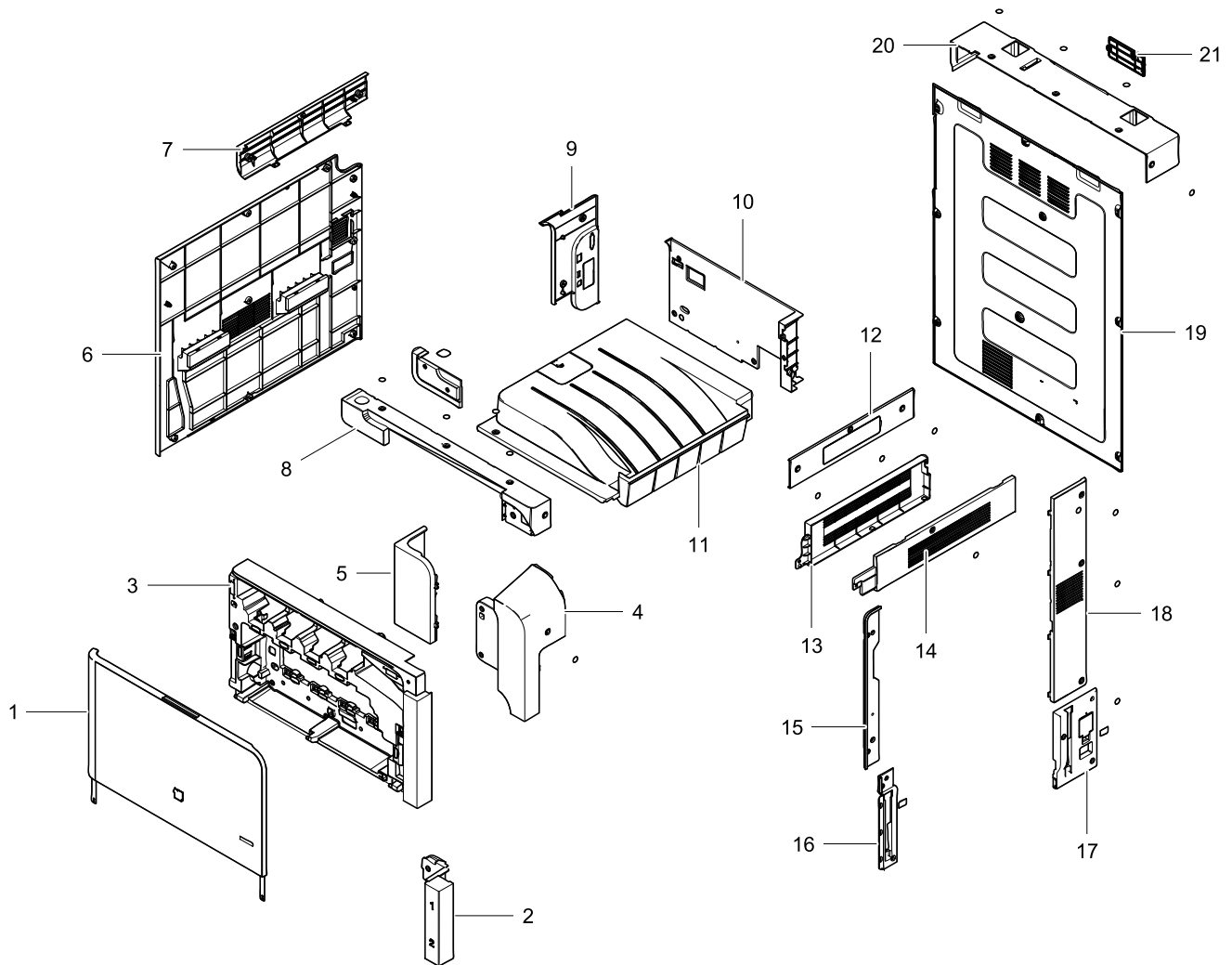
Parts List

| No. | Lvl. | Loc. | Material Code | Description & Specification | SNA | Qty. |
|-------|------|-------|---------------|--|-----|------|
| 1 | 2 | | JC93-00857A | FRAME MAIN-FRONT; CLX-9201,SEC,WORLD | SNA | 1 |
| 1-1 | 3 | | JC93-00492A | FRAME MAIN-WTB SENSOR; CLX-9201,SEC,WORLD | SNA | 1 |
| 1-2 | 3 | G1134 | 3001-002207 | SPEAKER; 0.3W,8Ohm,81dB,400Hz | SA | 1 |
| 1-3 | 3 | E9322 | 0604-001393 | PHOTO-INTERRUPTER; TR,75mW,BGA,TR | SA | 1 |
| 2 | 2 | | JC93-00858A | FRAME MAIN-REAR; CLX-9201,SEC,WORLD | SNA | 1 |
| 2-1 | 3 | | JC93-00018A | FRAME MAIN-REAR HOLDER AUTOSIZE; CLX-9350 | SA | 2 |
| 2-1-1 | 4 | | JC92-02622A | PBA-PAPER SIZE SENSOR; CLX-9352NA,SEC,FR1 | SA | 2 |
| 2-2 | 3 | | JC93-00486A | FRAME MAIN-HUMIDITY SENSOR; CLX-9201,SEC, | SNA | 1 |
| 2-3 | 3 | | JC93-00016A | FRAME MAIN-REAR DRAW TONER; CLX-9350,SEC, | SNA | 4 |

| No. | Lvl. | Loc. | Material Code | Description & Specification | SNA | Qty. |
|-----|------|-------|---------------|--|-----|------|
| 2-4 | 3 | | JC93-00466A | FRAME MAIN-SWITCH OPEN; SCX-8128NA,SEC,WO | SA | 1 |
| 3 | 2 | | JC93-00482A | FRAME MAIN-MIDDLE ACR; CLX-9201,SEC,WORLD | SA | 1 |
| 3-1 | 3 | | JC32-00014A | SENSOR-CTD; SENSOR-CTD,0 ~ 60,5V,6.62mA,r | SA | 2 |
| 3-2 | 3 | L8888 | JC32-00012A | SENSOR-CTD; GP2Y40011K0F,0 ~ 60,4.5 ~ 5.5 | SA | 1 |
| 3-3 | 3 | | JC61-04902A | GUIDE-ITB; CLX-9201,ABS+PC,10,29.09,407.8 | SNA | 1 |
| 4 | 2 | | JC93-00481A | FRAME MAIN-SUPPORT FUSER; CLX-9201,SEC,WO | SNA | 1 |
| 5 | 2 | | JC93-00856A | FRAME BASE-BOTTOM; CLX-9201,SEC,WORLD | SNA | 1 |
| 5-1 | 3 | | JC39-01686A | HARNESS-DCF IF SET; CLX-9201,UL10272,18p, | SA | 1 |
| 6 | 3 | | JC61-04784A | GUIDE-TONER CARTRIDGE; CLX-9201,ABS,400,H | SNA | 4 |
| 7 | 2 | | JC93-00478A | FRAME MAIN-RIGHT CST RAIL; CLX-9201,SEC,W | SNA | 2 |
| 8 | 3 | | JC64-00693A | SHUTTER-FEEDING DUCT; CLX-9201,ABS,81.9,H | SNA | 4 |

7. COVER

Exploded View



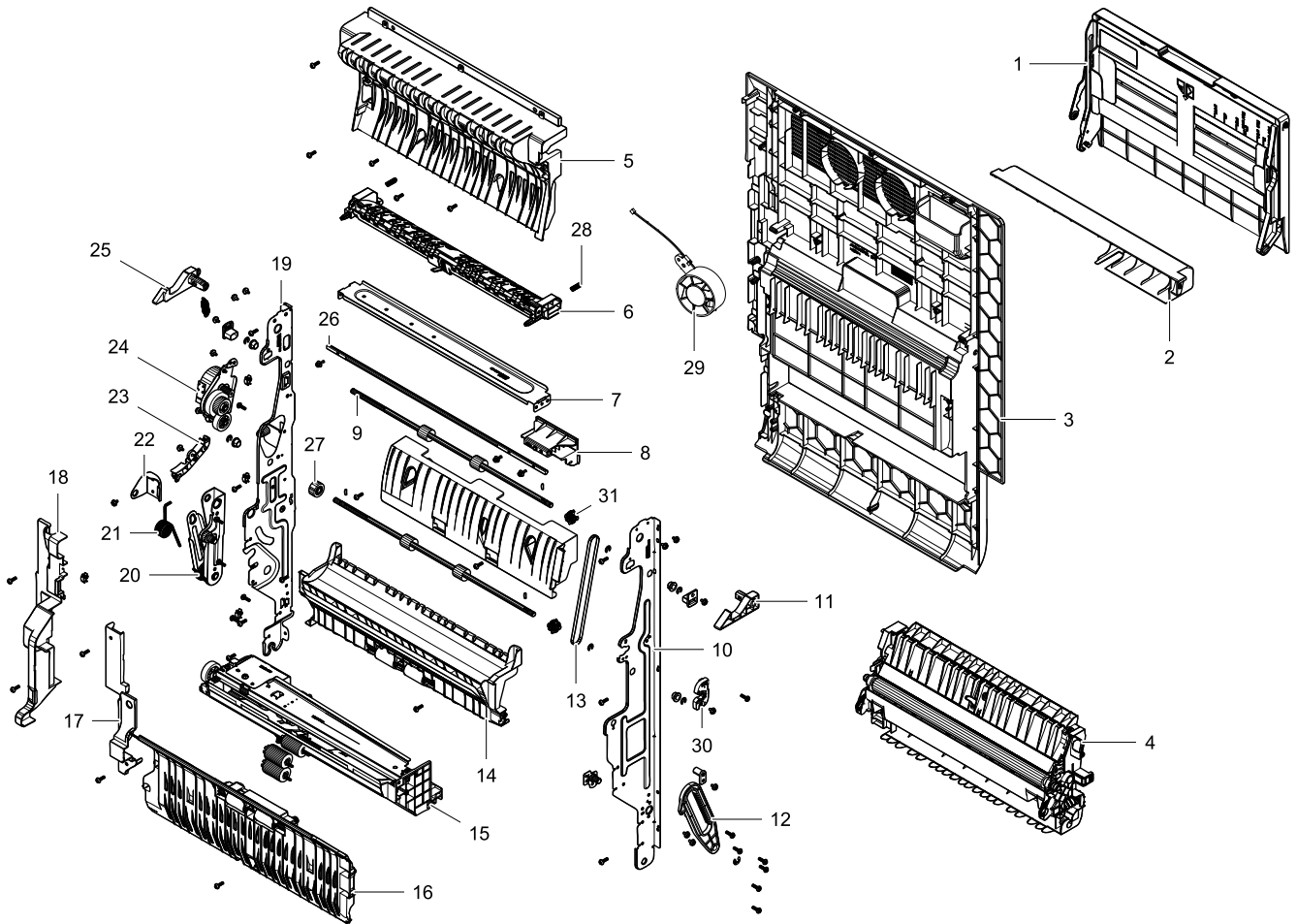
Parts List

| No. | Lvl. | Loc. | Material Code | Description & Specification | SNA | Qty. |
|-----|------|------|---------------|--|-----|------|
| 1 | 2 | | JC95-01496A | COVER-FRONT; CLX-9201,WORLD,SEC | SA | 1 |
| 2 | 2 | | JC63-03405A | COVER-FRONT LOWER; CLX-9201,HIPS,T2,W112. | SA | 1 |
| 3 | 2 | | JC95-01498A | COVER-INNER; CLX-9201,WORLD,SEC | SA | 1 |
| 4 | 2 | | JC63-03404A | COVER-FRONT TOP DECO; CLX-9201,ABS,T2.5,W | SA | 1 |
| 5 | 2 | | JC63-03403A | COVER-FRONT TOP; CLX-9201,HIPS,T2.5,W110. | SA | 1 |
| 6 | 2 | | JC95-01497A | COVER-LEFT; CLX-9201,WORLD,SEC | SA | 1 |
| 7 | 2 | | JC63-03396A | COVER-SCAN LEFT; CLX-9201,ABS,T2,W360.4,L | SA | 1 |
| 8 | 2 | | JC95-01502A | COVER-SCAN FRONT; CLX-9201,WORLD,SEC | SA | 1 |

| No. | Lvl. | Loc. | Material Code | Description & Specification | SNA | Qty. |
|-----|------|------|---------------|--|-----|------|
| 9 | 2 | | JC63-03406A | COVER-LEFT UPPER; CLX-9201,HIPS,T2,W156.2 | SA | 1 |
| 10 | 2 | | JC63-03389A | COVER-EXIT REAR; CLX-9201,HIPS,T2,W371,L1 | SA | 1 |
| 11 | 2 | | JC95-01499A | COVER-EXIT; CLX-9201,WORLD,SEC | SA | 1 |
| 12 | 2 | | JC95-01503A | COVER-SCAN RIGHT; CLX-9201,WORLD,SEC | SA | 1 |
| 13 | 2 | | JC63-03391A | COVER-EXIT DUMMY; CLX-9201,HIPS,T2,W333,L | SA | 1 |
| 14 | 2 | | JC63-03402A | COVER-RIGHT TOP; CLX-9201,ABS,T2,W82.8,L3 | SA | 1 |
| 15 | 2 | | JC63-03400A | COVER-RIGHT INNER COLOR; CLX-9201,ABS,T2, | SNA | 1 |
| 16 | 2 | | JC63-03398A | COVER-RIGHT HANDLE; CLX-9201,ABS,T2,W47.5 | SNA | 1 |
| 17 | 2 | | JC95-01501A | COVER-RIGHT LOWER; CLX-9201,WORLD,SEC | SA | 1 |
| 18 | 2 | | JC63-03401A | COVER-RIGHT COLOR; CLX-9201,ABS,T2,W95.9, | SNA | 1 |
| 19 | 2 | | JC61-04560A | BRACKET-COVER REAR COLOR; CLX-9201,SECC,T | SNA | 1 |
| 20 | 2 | | JC63-03332A | COVER-SCAN REAR; CLX-9201,ABS,2.5,W550,L9 | SNA | 1 |
| 21 | 2 | | JC63-03333A | COVER-CONNECTOR DADF; CLX-9201,ABS,T2,W10 | SA | 1 |

8. COVER-SIDE

Exploded View



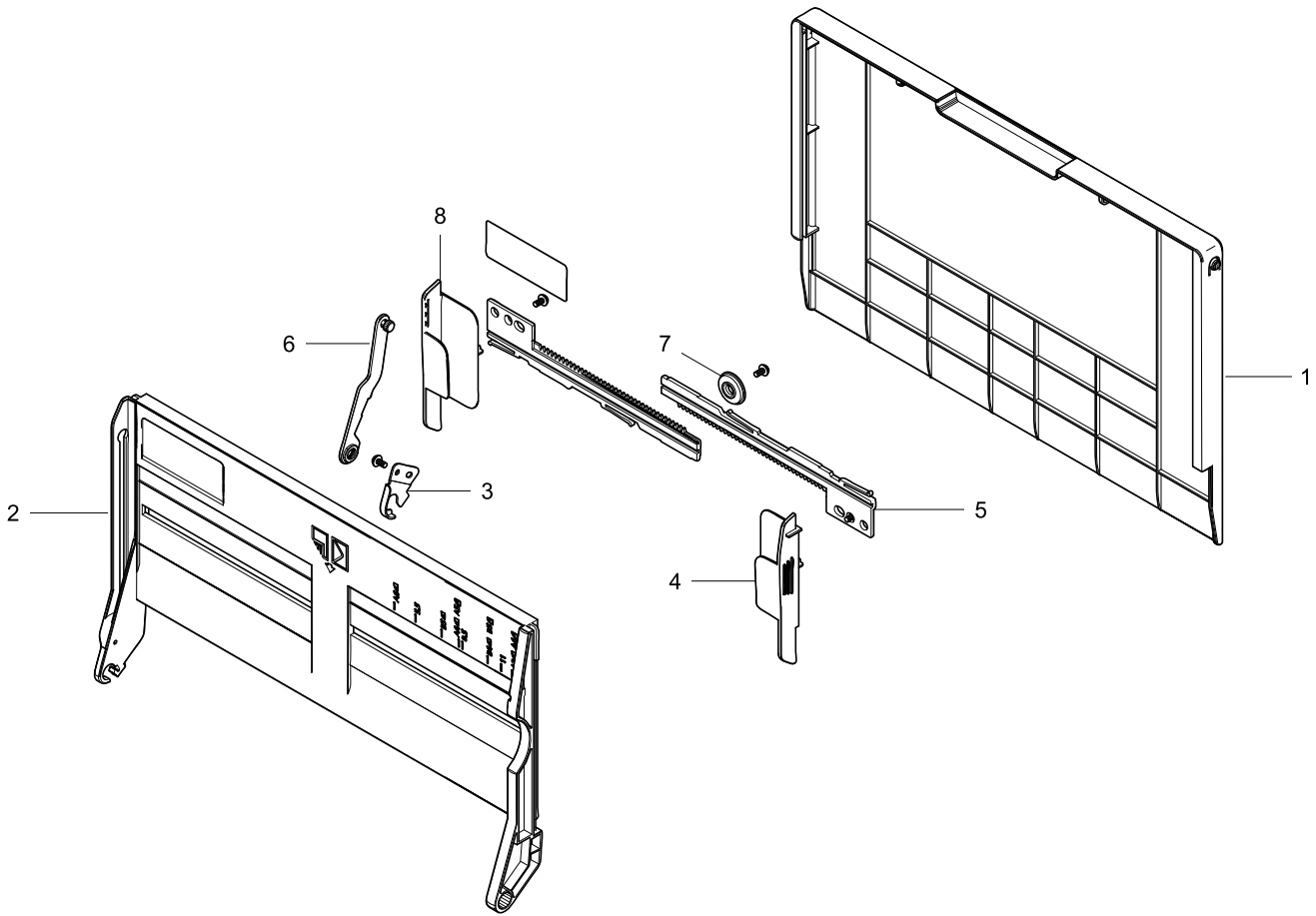
Parts List

| No. | Lvl. | Loc. | Material Code | Description & Specification | SNA | Qty. |
|-----|------|------|---------------|--|-----|------|
| 1 | 2 | | JC90-01117A | MP-TRAY; CLX-9201,SEC | SA | 1 |
| 2 | 2 | | JC63-03356A | COVER-FRONT MP; CLX-9201,ABS,43.2,322.7,S | SNA | 1 |
| 3 | 2 | | JC63-03376A | COVER-SIDE; CLX-9201,ABS,394.8,566.7,SPLI | SNA | 1 |
| 4 | 2 | | JC95-01513A | COVER-SIDE GUIDE FEED; CLX-9201 | SA | 1 |
| 5 | 2 | | JC61-04795A | GUIDE-DUPLEX UPPER; CLX-9201,ABS+PC,360.1 | SA | 1 |
| 6 | 2 | | JC95-01509A | COVER-SIDE EXIT; CLX-9201 | SA | 1 |
| 7 | 2 | | JC61-04678A | BRACKET-SUPPORT UPPER; CLX-9201,EGI-SECC, | SNA | 1 |
| 8 | 2 | | JC64-00712A | HANDLE-SIDE; CLX-9201,ABS,73.8,40.8,780U, | SNA | 1 |
| 9 | 2 | | JC66-03179A | ROLLER IDLE-DUPLEX; CLX-9201,EPDM,SUM23,6 | SNA | 2 |
| 10 | 2 | | JC61-04682A | BRACKET-FRONT SIDE; CLX-9201,EGI-SECC,T0. | SNA | 1 |

| No. | Lvl. | Loc. | Material Code | Description & Specification | SNA | Qty. |
|-----|------|------|---------------|---|-----|------|
| 11 | 2 | | JC64-00710A | LOCKER-SIDE; CLX-9201,POM,NATURAL,60.5,F2 | SA | 1 |
| 12 | 2 | | JC66-03235A | LINK-D; CLX-9201,PC,133.8,BLACK | SA | 1 |
| 13 | 2 | | 6602-003299 | BELT-TIMING GEAR; S2M328,RUB(CR),L328 | SNA | 1 |
| 14 | 2 | | JC95-01517A | COVER-SIDE FEED DUPLEX; CLX-9201 | SA | 1 |
| 15 | 2 | | JC90-01139A | MP; CLX-9201,SEC | SA | 1 |
| 16 | 2 | | JC95-01516A | COVER-SIDE TAKE AWAY; CLX-9201 | SA | 1 |
| 17 | 2 | | JC63-03379A | COVER-HARNES LOWER; CLX-9201,ABS,214,34. | SNA | 1 |
| 18 | 2 | | JC63-03378A | COVER-HARNES; CLX-9201,ABS,157.7,54.4,SP | SNA | 1 |
| 19 | 2 | | JC61-04681A | BRACKET-REAR SIDE; CLX-9201,EGI-SECC,T0.8 | SNA | 1 |
| 20 | 2 | | JC95-01518A | COVER-SIDE LINK REAR; CLX-9201 | SA | 1 |
| 21 | 2 | | 6107-003052 | SPRING-TS; SWP B,2.6,20.2,159 | SA | 1 |
| 22 | 2 | | JC61-04684A | BRACKET-LINK SUPPORT; CLX-9201,SECC,T1.0, | SNA | 1 |
| 23 | 2 | | JC61-04872A | GUIDE-HARNES; CLX-9201,ABS,61,38,HF-0660 | SNA | 1 |
| 24 | 2 | | JC95-01510A | COVER-SIDE DUPLEX MOTOR; CLX-9201 | SA | 1 |
| 25 | 2 | | JC64-00711A | LOCKER-SIDE REAR; CLX-9201,POM,NATURAL,60 | SA | 1 |
| 26 | 2 | | JC66-03301A | SHAFT-HANDLE; CLX-9201,SUM 23,391,6,STEEL | SNA | 1 |
| 27 | 2 | | JC66-03292A | GEAR-EXIT; CLX-9201,POM,1.0,16,WHITE,18.4 | SNA | 1 |
| 28 | 2 | | 6107-001731 | SPRING-CS; SUS304,PI0.6,L16.6,ID4.7,OD5.9 | SA | 2 |
| 29 | 2 | | JC31-00160C | FAN-TYPE 6; 120mA,4.00mmH20,0.424m ³ /mi | SA | 1 |
| 30 | 2 | | JC64-00709A | LOCKER-GUIDE-FEED; CLX-9201,POM,BLACK,24. | SNA | 1 |
| 31 | 2 | | JC66-02350A | PULLEY-DUPLEX; CLX-9350,POM(M90-44),BLACK | SNA | 2 |

8.1. MP-TRAY

Exploded View

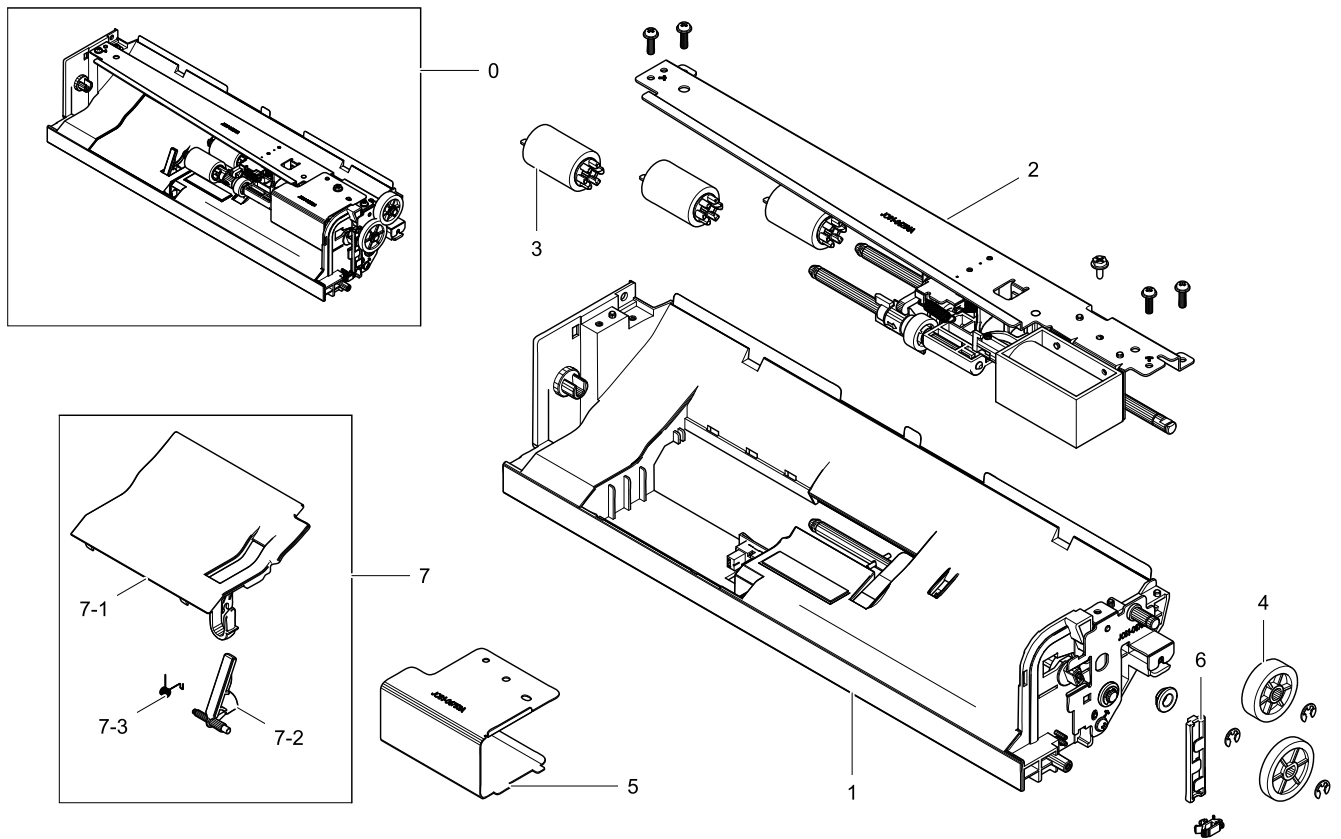


Parts List

| No. | Lvl. | Loc. | Material Code | Description & Specification | SNA | Qty. |
|-----|------|-------|---------------|---|-----|------|
| 1 | 3 | | JC61-04759A | FRAME-TRAY-LOWER; CLX-9201,ABS,SPLIT BROW | SA | 1 |
| 2 | 3 | | JC61-04758A | FRAME-TRAY-UPPER; CLX-9201,ABS,SPLIT BROW | SA | 1 |
| 3 | 3 | | JC61-04757A | BRACKET; CLX-9201,SECC,1T,18 | SNA | 1 |
| 4 | 3 | | JC61-04760A | GUIDE-SIDE F; CLX-9201,HIPS,64,19,S-834,S | SNA | 1 |
| 5 | 3 | | JC66-03216A | GEAR-RACK; CLX-9201,POM,1,165,NATURAL,DE5 | SNA | 2 |
| 6 | 2 | | JC66-03220A | LINK-SIDE; CLX-9201,POM,94.7,7,NATURAL | SA | 1 |
| 7 | 3 | C3690 | JG66-40003A | GEAR-PINION; SF4000,POM,1.0,Z16,NATURAL(W | SA | 1 |
| 8 | 3 | | JC61-04761A | GUIDE-SIDE R; CLX-9201,HIPS,64,16.5,S-834 | SNA | 1 |

8.2. MP

Exploded View

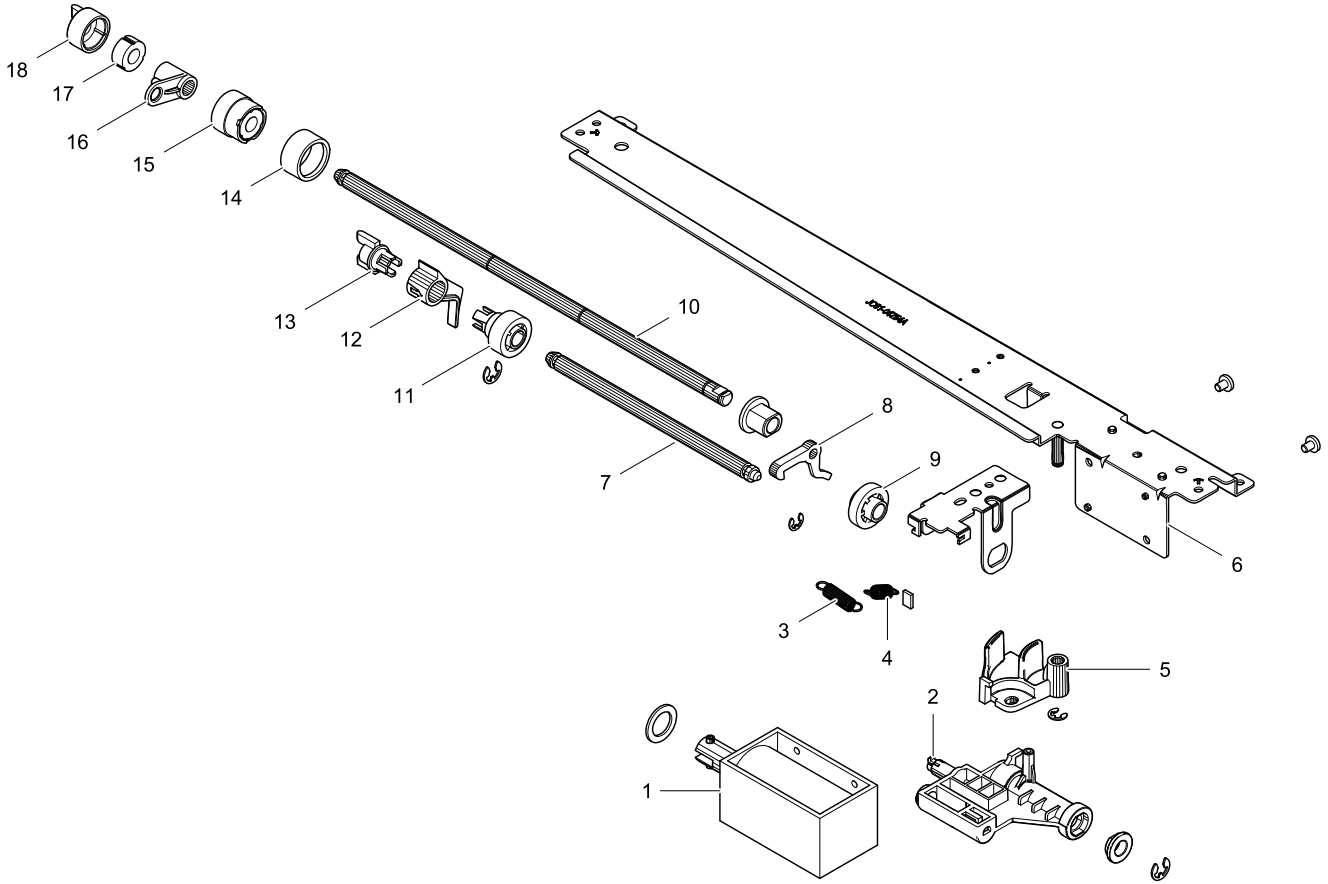


Parts List

| No. | Lvl. | Loc. | Material Code | Description & Specification | SNA | Qty. |
|-----|------|------|---------------|--|-----|------|
| 0 | 2 | | JC90-01139A | MP; CLX-9201,SEC | SA | 1 |
| 1 | 3 | | JC90-01126A | MP GUIDE-MAIN; CLX-9201,SEC | SNA | 1 |
| 2 | 3 | | JC90-01125B | MP-BRACKET PICK UP; X4300 | SNA | 1 |
| 3 | 4 | | JC93-00540A | FRAME-MAIN PICK UP ROLLER; CLX-9201,0,EXP | SA | 3 |
| 4 | 3 | | JC66-03215A | GEAR-IDLE MP; CLX-9201,POM,1,26,NATURAL,2 | SNA | 1 |
| 5 | 3 | | JC61-04753A | BRACKET-SOLENOID; CLX-9201,EGI-SECC,0.6T, | SNA | 1 |
| 6 | 3 | | JC61-04762A | GUIDE-HARNESS R; CLX-9201,ABS,10,43.5,HF- | SNA | 1 |
| 7 | 3 | | JC90-01124A | MP-COVER BASE; CLX-9201,SEC | SNA | 1 |
| 7-1 | 4 | | JC63-03357A | COVER-GUDIE BASE; CLX-9201,ABS,89.5,69.1, | SNA | 1 |
| 7-2 | 4 | | JC66-03217A | LEVER-EMPTY PAPER; CLX-9201,POM,20.4,31,M | SA | 1 |
| 7-3 | 4 | | 6107-001771 | SPRING-TS; SUS304,PI0.25,ID3.3,OD3.8 | SA | 1 |

8.2.1. MP-BRACKET PICK UP

Exploded View



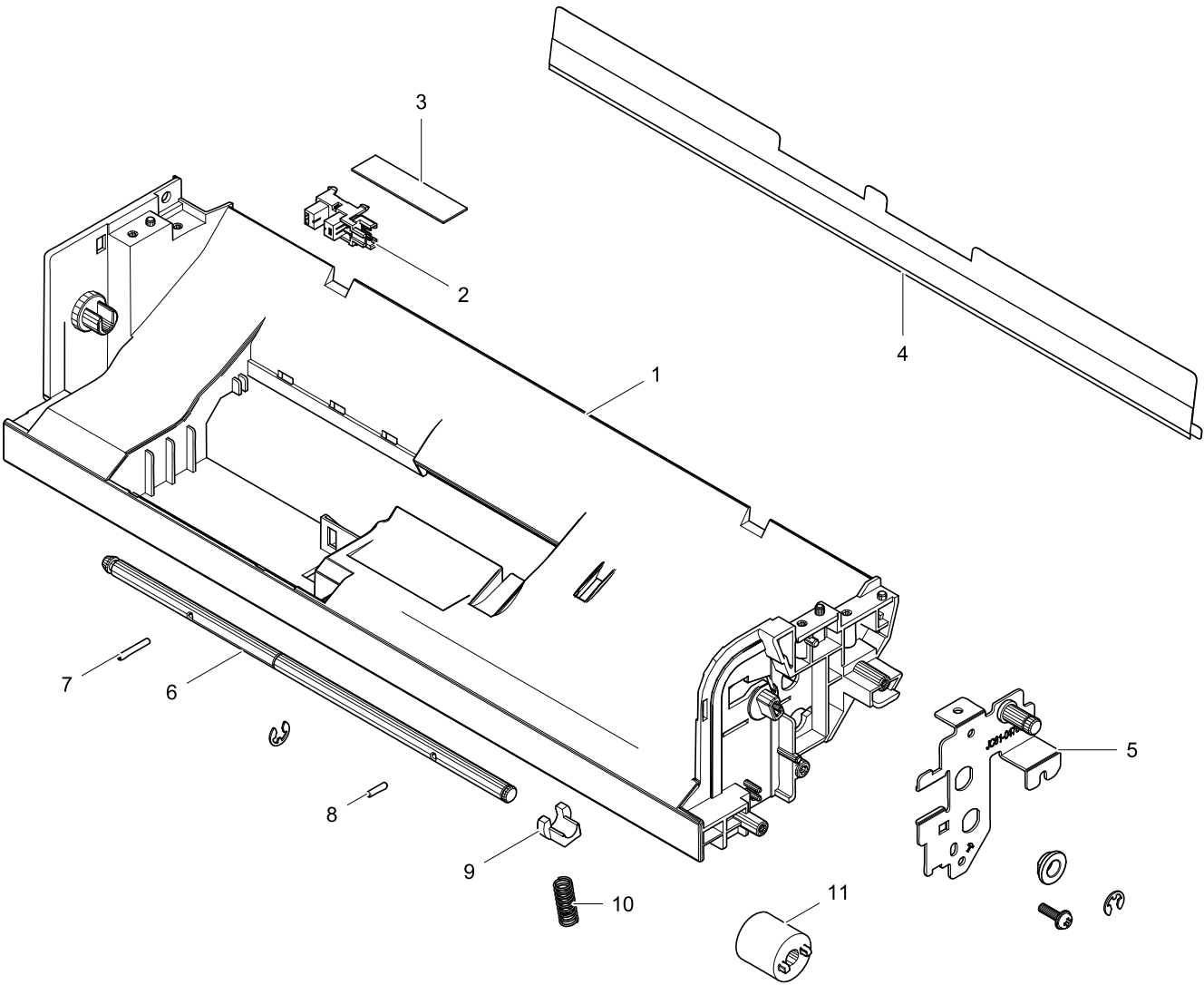
Parts List

| No. | Lvl. | Loc. | Material Code | Description & Specification | SNA | Qty. |
|-----|------|-------|---------------|--|-----|------|
| 1 | 4 | | JC33-00029B | SOLENOID-MP; CLX-9350,DC24V,18.4,27*30, | SA | 1 |
| 2 | 4 | | JC61-04876A | GUIDE-UPPER PU MP; CLX-9201,PC,34.9,61.9, | SNA | 1 |
| 3 | 4 | | 6107-003031 | SPRING-ES; SWP B,0.65,25.1,4.4,5.7 | SNA | 1 |
| 4 | 4 | | 6107-003026 | SPRING-ES; SWP B,0.5,16.9,4,5 | SNA | 1 |
| 5 | 4 | | JC66-03218A | LEVER-SOLENOID; CLX-9201,POM,28,22.7,LZ75 | SNA | 1 |
| 6 | 4 | | JC90-01127A | MP-BRACKET UPPER; CLX-9201,SEC | SNA | 1 |
| 7 | 4 | | JC66-03222A | SHAFT-PICK UP MP; CLX-9201,SUM 23,100.9,6 | SNA | 1 |
| 8 | 4 | | JC64-00705A | LOCKER-STOPPER; CLX-9201,POM,BLACK,15.1,D | SNA | 1 |
| 9 | 4 | I5652 | JC66-00940A | GEAR-M_IDLE PU; SCX-6345N/XRX,POM,0.7,22, | SA | 1 |
| 10 | 4 | | JC66-03303A | SHAFT-FORWARD MP; CLX-9201,STS430,197.4,6 | SNA | 1 |
| 11 | 4 | | JC66-03213A | GEAR-M PU; CLX-9201,POM,0.7,21,16.1 | SNA | 1 |
| 12 | 4 | | JC61-04766A | STOPPER-PAPER; CLX-9201,POM,9.8,18.2,M90- | SNA | 1 |

| No. | Lvl. | Loc. | Material Code | Description & Specification | SNA | Qty. |
|-----|------|-------|---------------|--|-----|------|
| 13 | 4 | | JC66-03221A | COUPLER CONNECTOR-PU; CLX-9201,POM,OD14, | SNA | 1 |
| 14 | 4 | | JC61-03332A | ROLLER-IDLE FORWARD; CLX-9350,POM,T8.5,OD | SNA | 1 |
| 15 | 4 | | JC90-00918A | MP-ONE WAY; CLX-9350,SEC,-,-,- | SA | 1 |
| 16 | 4 | | JC66-03219A | LEVER-HOOK; CLX-9201,POM,13.4,15.2,M90-44 | SNA | 1 |
| 17 | 4 | H3704 | JC66-00977A | CLUTCH-P_ONE WAY; SCX-6345N/XRX,STS304,0. | SA | 4 |
| 18 | 4 | I7155 | JC61-01288A | HOLDER-M_IDLE ONE WAY; SCX-6345N/XRX,POM, | SA | 1 |

8.2.2. MP GUIDE-MAIN

Exploded View

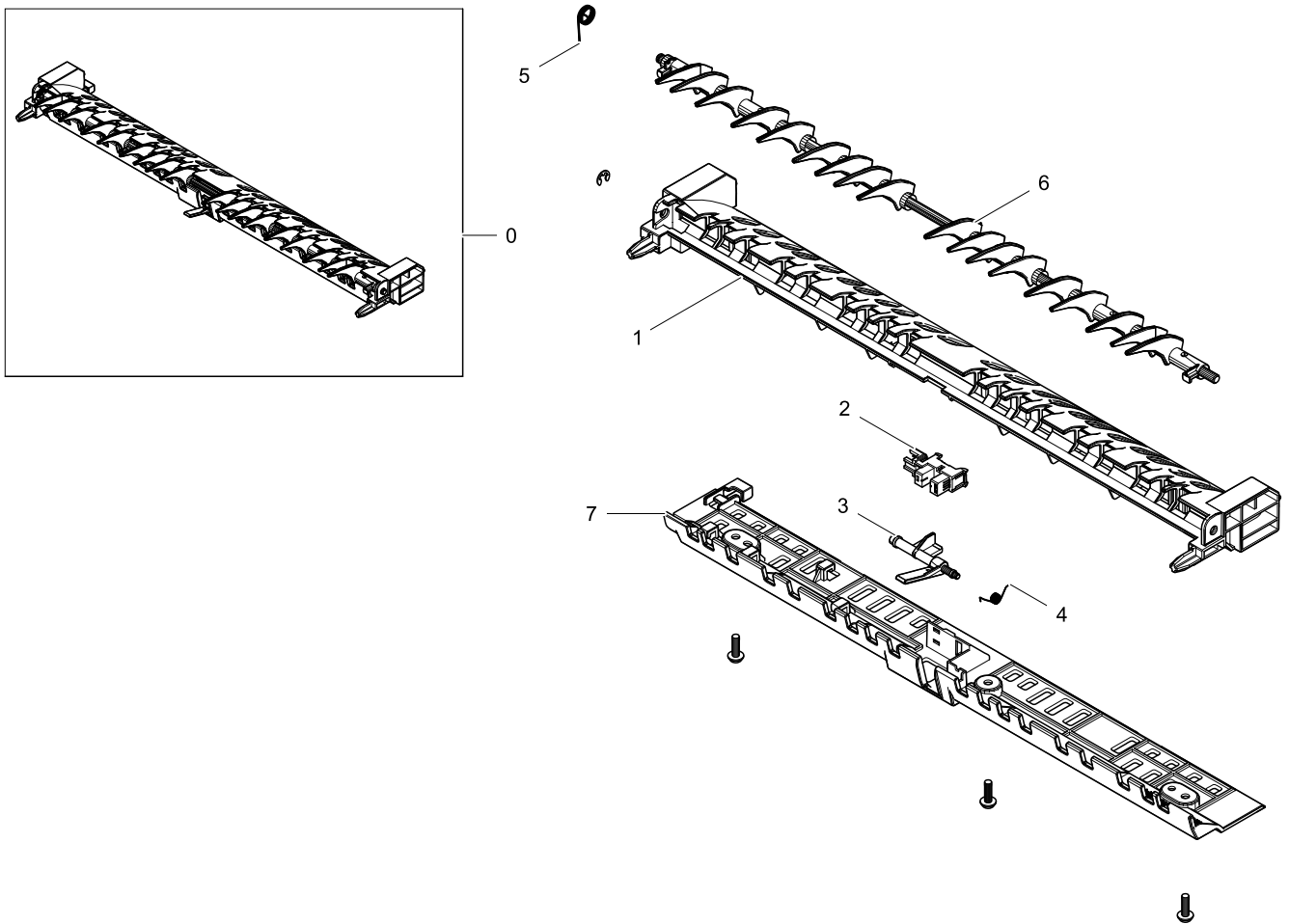


Parts List

| No. | Lvl. | Loc. | Material Code | Description & Specification | SNA | Qty. |
|-----|------|-------|---------------|--|-----|------|
| 1 | 4 | | JC61-04764A | FRAME-BASE MP; CLX-9201,PC+GF,G32690,68.3 | SNA | 1 |
| 2 | 4 | E9322 | 0604-001393 | PHOTO-INTERRUPTER; TR,75mW,BGA,TR | SA | 1 |
| 3 | 4 | | JC62-01085A | SEAL-PAD MP; CLX-9201N,Teflon Felt,0.7,44 | SNA | 1 |
| 4 | 4 | | JC63-03358A | SHEET-GUIDE MP; CLX-9201,PET,0.125,25,308 | SNA | 1 |
| 5 | 4 | | JC61-04755A | BRACKET; CLX-9201,SECC,1T,56.3,30.4 | SNA | 1 |
| 6 | 4 | | JC66-03223A | SHAFT-RETARD MP; CLX-9201,SUM 23,189.4,6, | SNA | 1 |
| 7 | 4 | K7705 | 6043-001097 | PIN-SPRING; W,D2,L14,STS304, T0.2 | SA | 1 |
| 8 | 4 | S4107 | JC66-00591A | SHAFT-HUB IN; ML-2150,SUM 24L,8.5,1.95 | SNA | 1 |
| 9 | 4 | | JC61-04765A | BUSH-RETARD MP; CLX-9201,POM,6,13,10,BLAC | SNA | 1 |
| 10 | 4 | | 6107-003032 | SPRING-CS; SUS304,0.65,17,5.15,6.45 | SNA | 1 |
| 11 | 4 | | JC67-00455A | COUPLER-TORQUELIMITER; CLX-9350,WHITE,350 | SA | 1 |

8.3. COVER-SIDE EXIT

Exploded View

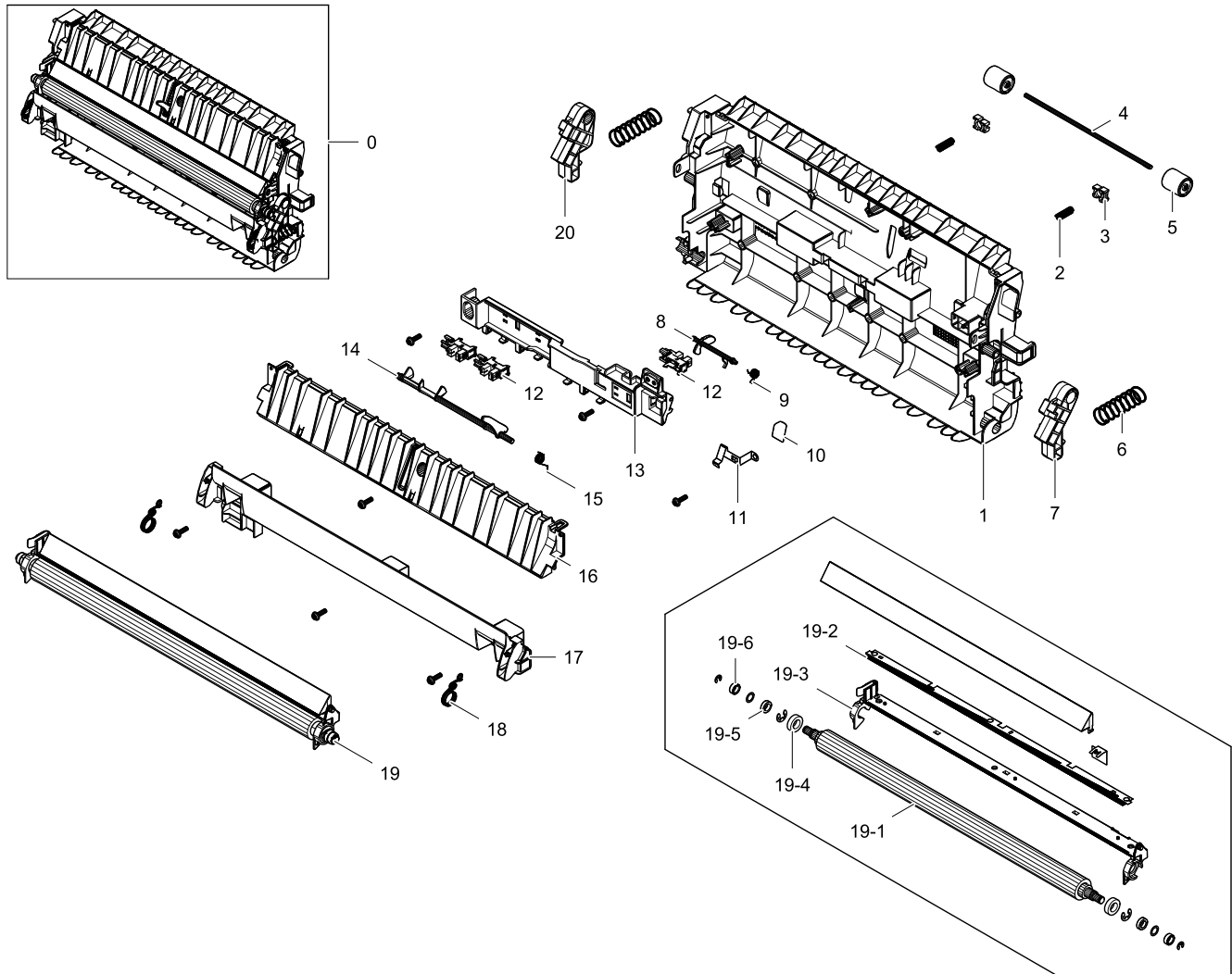


Parts List

| No. | Lvl. | Loc. | Material Code | Description & Specification | SNA | Qty. |
|-----|------|-------|---------------|--|-----|------|
| 0 | 2 | | JC95-01509A | COVER-SIDE EXIT; CLX-9201 | SA | 1 |
| 1 | 3 | | JC61-04791A | GUIDE-SIDE EXIT; CLX-9201,MPPO,328.6,47.1 | SNA | 1 |
| 2 | 3 | E9322 | 0604-001393 | PHOTO-INTERRUPTER; TR,75mW,BGA,TR | SA | 2 |
| 3 | 3 | | JC66-03307A | ACTUATOR-FUSER OUT; CLX-9201,MPPO,22.4,24 | SA | 1 |
| 4 | 3 | | 6107-001737 | SPRING-TS; SUS304,PI0.25,ID3.8,OD4.3,105 | SA | 1 |
| 5 | 3 | | 6107-003055 | SPRING-TS; SUS304,0.4,7.7,8.1,180 | SA | 1 |
| 6 | 3 | | JC61-04792A | GUIDE-GATE; CLX-9201,MPPO,336.5,19.1,N300 | SA | 1 |
| 7 | 3 | | JC61-04892A | HOLDER-EXIT-SENSOR; CLX-9201,MPPO,331.5,3 | SNA | 1 |

8.4. COVER-SIDE GUIDE FEED

Exploded View



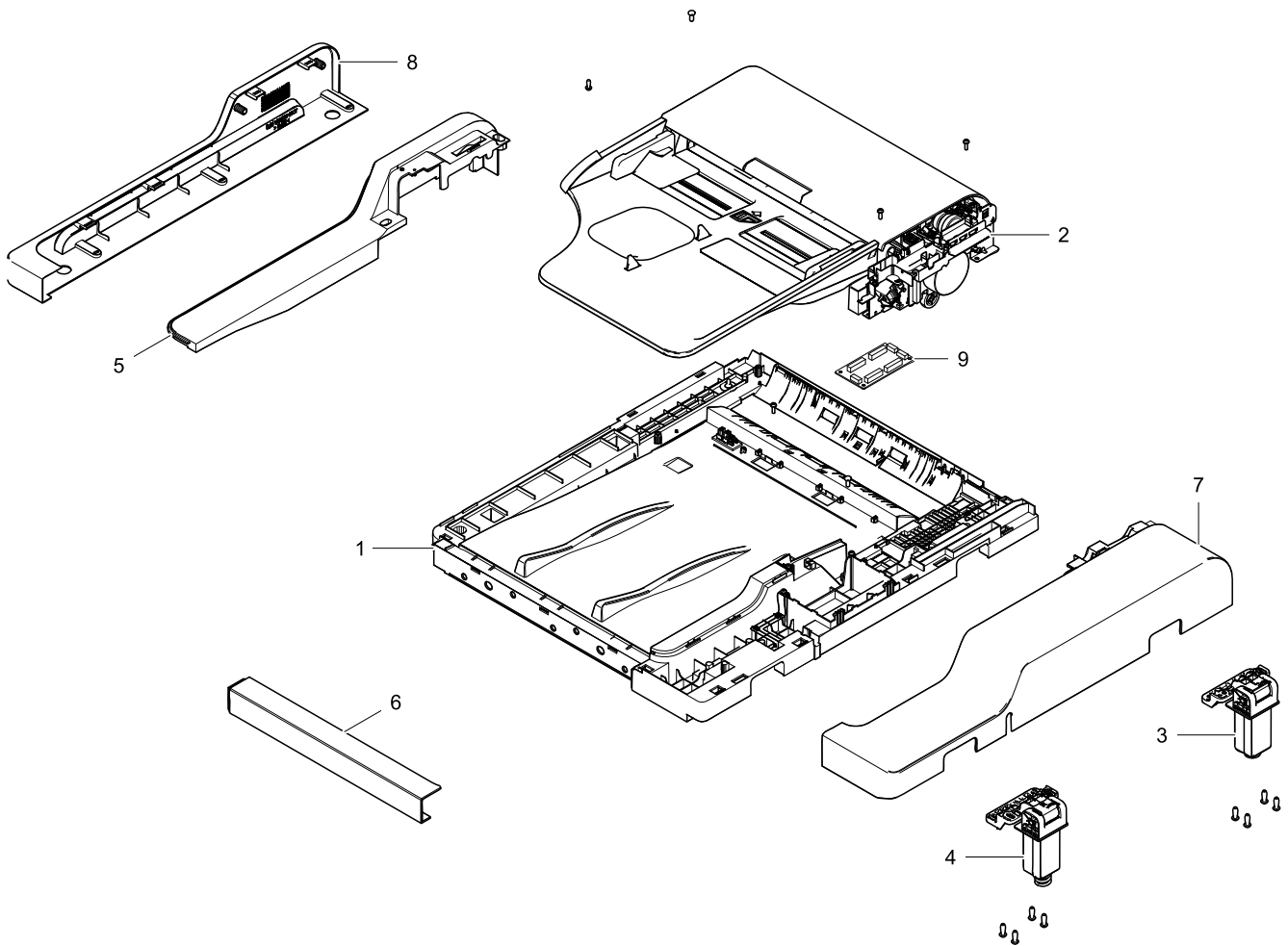
Parts List

| No. | Lvl. | Loc. | Material Code | Description & Specification | SNA | Qty. |
|-----|------|------|---------------|--|-----|------|
| 0 | 2 | | JC95-01513A | COVER-SIDE GUIDE FEED; CLX-9201 | SA | 1 |
| 1 | 3 | | JC61-04796A | GUIDE-FEED; CLX-9201,ABS+PC,356.4,126.1,N | SNA | 1 |
| 2 | 3 | | 6107-001731 | SPRING-CS; SUS304,PI0.6,L16.6,ID4.7,OD5.9 | SA | 2 |
| 3 | 3 | | JC61-03098A | HOLDER-ROLLER IDLE; CLX-9350,POM,NATURAL | SA | 2 |
| 4 | 3 | | JC66-02354A | SHAFT-ROLLER IDLE L; CLX-9350,SUM24L,137. | SA | 1 |
| 5 | 3 | | JC66-02289B | ROLLER IDLE-RUBBER-IDLE; SCX-8040ND,POM,S | SA | 2 |
| 6 | 3 | | 6107-003048 | SPRING-CS; SWP B,1.0,43.7,13.1,FREE,CLOSE | SA | 2 |
| 7 | 3 | | JC66-03294A | ARM-TR FRONT; CLX-9201,ABS-GF20,51.7,13 | SNA | 1 |

| No. | Lvl. | Loc. | Material Code | Description & Specification | SNA | Qty. |
|------|------|-------|---------------|--|-----|------|
| 8 | 3 | | JC66-02180A | ACTUATOR-DUPLEX 2; CLX-9350,PC HN-1064i,B | SA | 1 |
| 9 | 3 | | 6107-001737 | SPRING-TS; SUS304,PI0.25,ID3.8,OD4.3,105 | SA | 1 |
| 10 | 3 | | JC68-02483A | LABEL-INFORMATION; CLX-9350,0.125,12,15 | SA | 1 |
| 11 | 3 | | JC61-03580A | PLATE-GROUND_SAW_B; SCX-8040,STS304,0.2,G | SNA | 1 |
| 12 | 3 | E9322 | 0604-001393 | PHOTO-INTERRUPTER; TR,75mW,BGA,TR | SA | 2 |
| 13 | 3 | | JC61-04895A | HOLDER-ACT FUSER IN; CLX-9201,ABS,210.4,3 | SNA | 1 |
| 14 | 3 | | JC66-03234A | ACTUATOR-FUSER IN; CLX-9201,PC,125.3,18.7 | SA | 1 |
| 15 | 3 | | 6107-001735 | SPRING-TS; SUS304,PI0.25,ID4.8,OD5.3,29 | SA | 1 |
| 16 | 3 | | JC61-04797A | GUIDE-T2 UPPER; CLX-9201,ABS+PC,322,28.8, | SNA | 1 |
| 17 | 3 | | JC61-04798A | GUIDE-T2 LOWER; CLX-9201,ABS+PC,311.8,40. | SNA | 1 |
| 18 | 3 | | 6107-003054 | SPRING-TS; SUS304,0.8,4.8 | SA | 2 |
| 19 | 3 | | JC95-01514A | COVER-SIDE ROLLER T2; CLX-9201 | SA | 1 |
| 19-1 | 4 | | JC66-03182A | ROLLER TR-TRANSFER2; Polaris,-,FR-4,6Laye | SA | 1 |
| 19-2 | 5 | | JC61-04904A | PLATE-SAW; CLX-9201,STS,0.1,306,13.3,SAW | SNA | 1 |
| 19-3 | 5 | | JC61-04894A | HOLDER-TR ROLLER; CLX-9201,ABS+PC,324.1,1 | SNA | 1 |
| 19-4 | 4 | G9046 | 6601-001389 | BEARING BALL; ID8,OD12,L3.5,L-1280ZZH POP | SA | 2 |
| 19-5 | 4 | G9040 | 6601-001384 | BEARING BALL; ID6,OD10,L3 | SNA | 2 |
| 19-6 | 4 | | JC61-04910A | HOLDER-T2; CLX-9201,BRONZE SINTERED,3.87, | SNA | 1 |
| 20 | 3 | | JC66-03295A | ARM-TR REAR; CLX-9201,ABS+GF,51.7,13 | SNA | 1 |

9. DADF

Exploded View

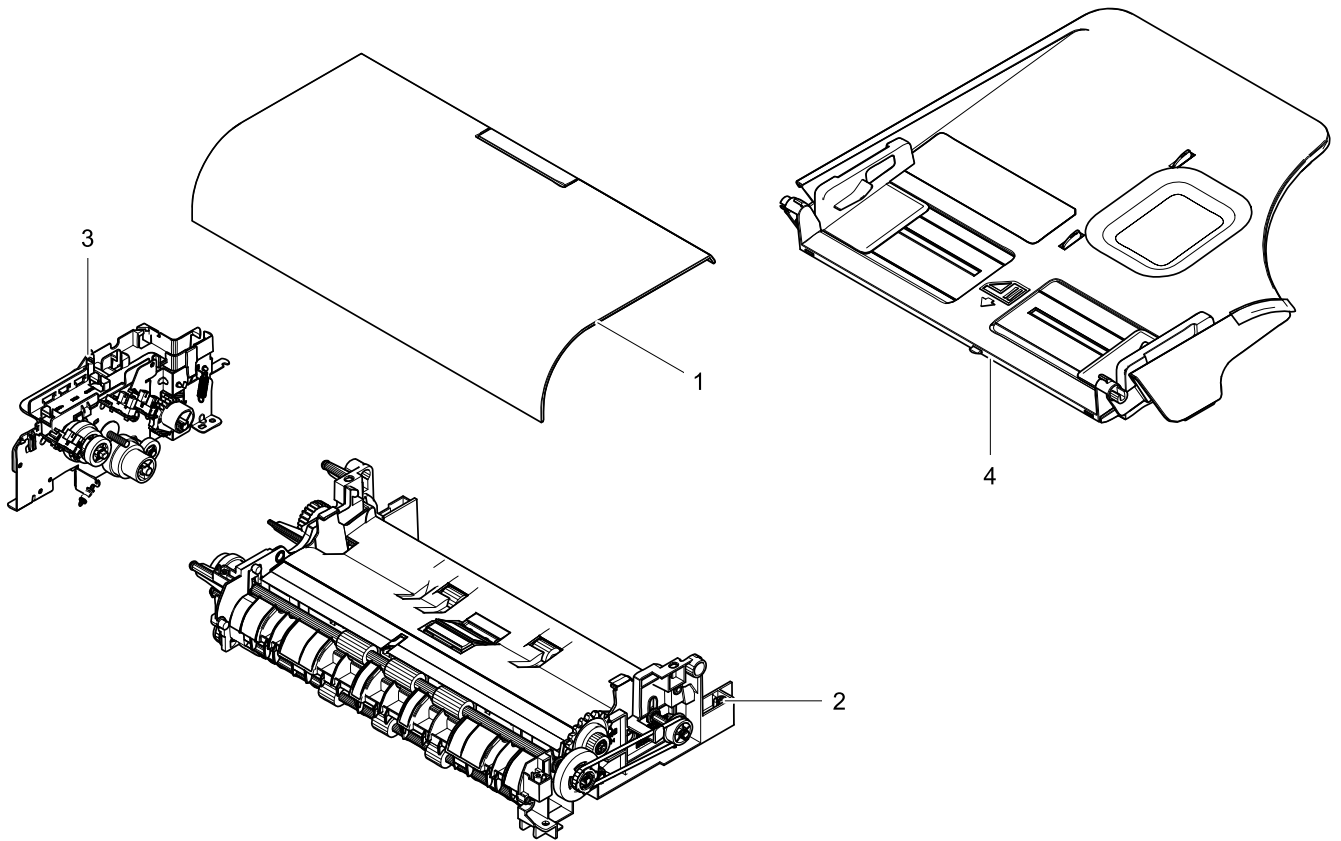


Parts List

| No. | Lvl. | Loc. | Material Code | Description & Specification | SNA | Qty. |
|-----|------|------|---------------|--|-----|------|
| 1 | 2 | | JC97-03997A | DADF PLATEN; CLX-9201,SEC | SA | 1 |
| 2 | 2 | | JC97-03991A | DADF-SUB; CLX-9201,SEC | SNA | 1 |
| 3 | 2 | | JC97-03995A | DADF-HINGE L; CLX-9201,SEC | SA | 1 |
| 4 | 2 | | JC97-03996A | DADF-HINGE R; CLX-9201,SEC | SA | 1 |
| 5 | 2 | | JC63-03345A | COVER-SIDE_F; CLX-9201,ABS,2,517.4,95,SPL | SA | 1 |
| 6 | 2 | | JC63-03354A | COVER-DECO_R; CLX-9201,ABS,2,315.12,32.18 | SA | 1 |
| 7 | 2 | | JC63-03346A | COVER-SIDE_R; CLX-9201,ABS,2,550,95,SPLIT | SA | 1 |
| 8 | 2 | | JC63-03353A | COVER-DECO_F; CLX-9201,ABS,2,535,64.5,SPL | SA | 1 |
| 9 | 3 | | JC92-02446A | PBA-ADF; CLX-9201,SEC,44*126.8 mm,Basic,F | SA | 1 |

9.1. DADF-SUB

Exploded View

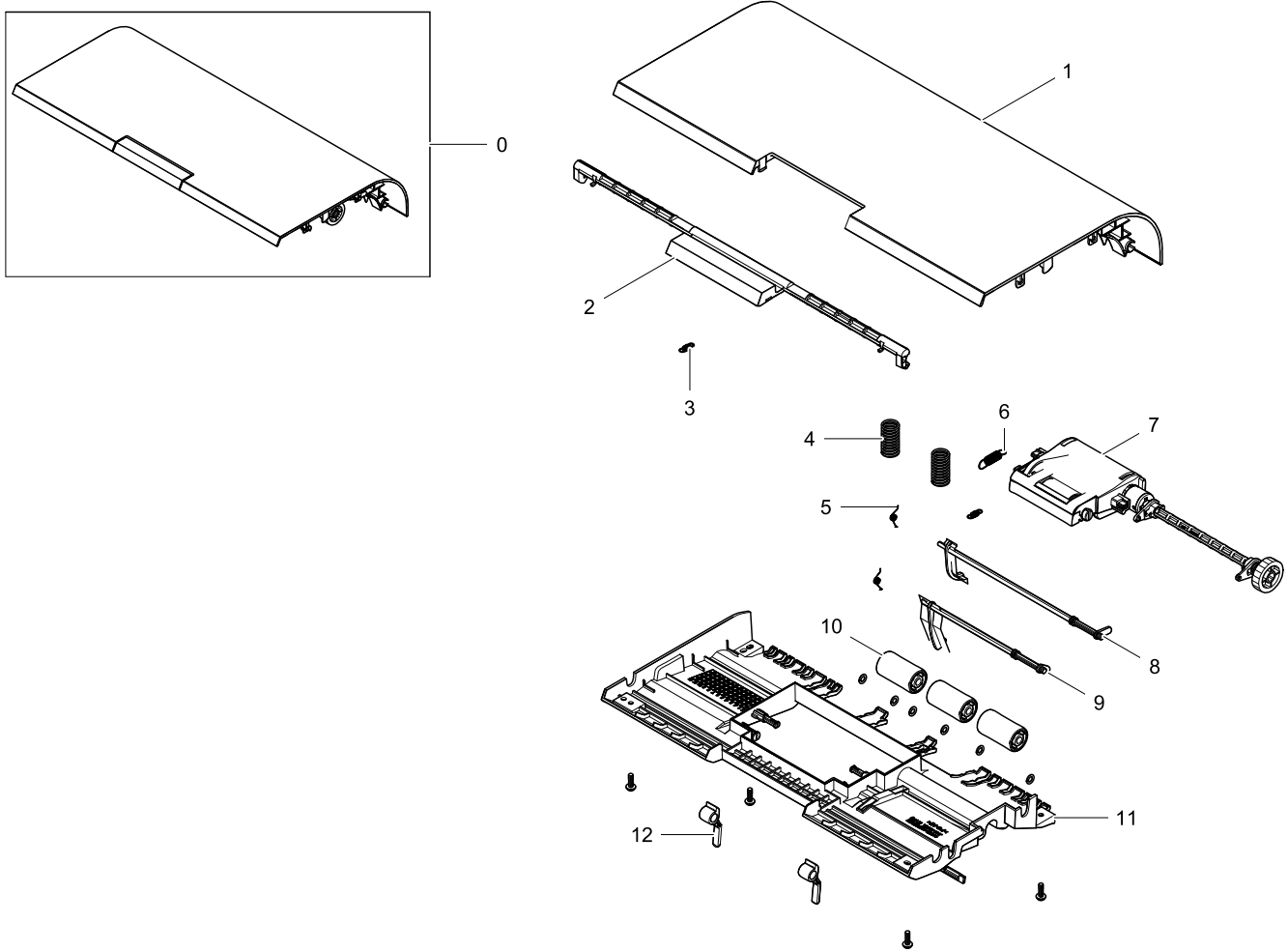


Parts List

| No. | Lvl. | Loc. | Material Code | Description & Specification | SNA | Qty. |
|-----|------|------|---------------|-------------------------------|-----|------|
| 1 | 3 | | JC97-03990A | DADF OPEN-COVER; CLX-9201,SEC | SA | 1 |
| 2 | 3 | | JC97-03992A | DADF FRAME-MAIN; CLX-9201,SEC | SA | 1 |
| 3 | 3 | | JC97-03993A | DADF-MOTOR; CLX-9201,SEC | SA | 1 |
| 4 | 3 | | JC97-03994A | DADF STACKER; CLX-9201,SEC | SA | 1 |

9.1.1. DADF OPEN-COVER

Exploded View



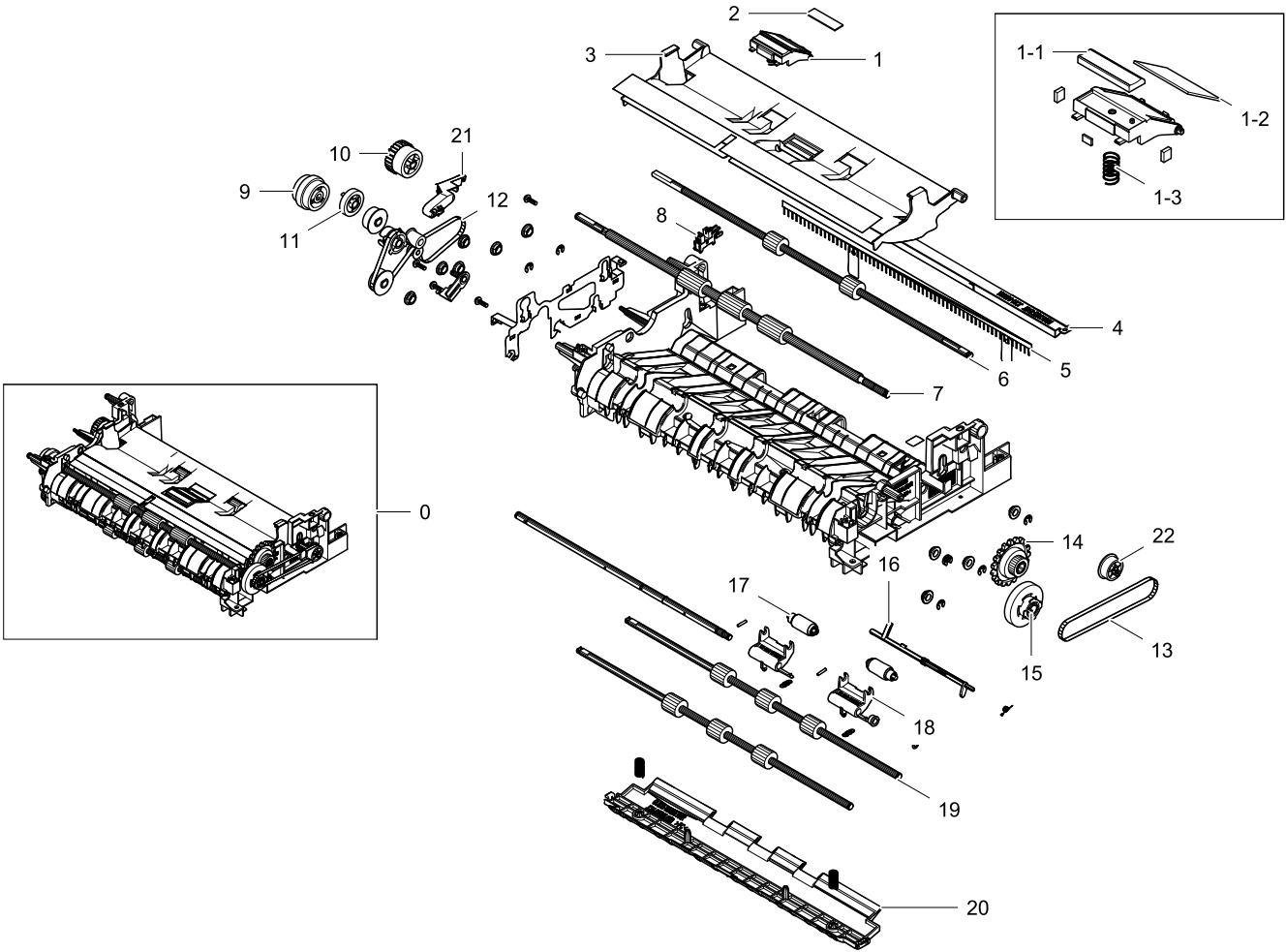
Parts List

| No. | Lvl. | Loc. | Material Code | Description & Specification | SNA | Qty. |
|-----|------|-------|---------------|--|-----|------|
| 0 | 3 | | JC97-03990A | DADF OPEN-COVER; CLX-9201,SEC | SA | 1 |
| 1 | 4 | | JC63-03273A | COVER-OPEN; CLX-9201,ABS,2.5,360.39,157.6 | SA | 1 |
| 2 | 4 | | JC64-00682A | HANDLE-COVER_OPEN; CLX-9201,ABS,321.68,78 | SNA | 1 |
| 3 | 4 | | 6107-003033 | SPRING-ES; SWP,0.5,12.8,3.8,9 | SA | 2 |
| 4 | 4 | | 6107-003022 | SPRING-CS; SWP,1.1,30.63,10.1,12.3,11.5,R | SA | 2 |
| 5 | 4 | | 6107-001737 | SPRING-TS; SUS304,PI0.25,ID3.8,OD4.3,105 | SA | 2 |
| 6 | 4 | L7229 | JC61-00482A | SPRING ETC-PICKUP; SCX-5100,SUS304-WPB,0. | SA | 1 |
| 7 | 4 | | JC97-04009A | DADF GUIDE-PIKUP; CLX-9201,SEC | SA | 1 |
| 8 | 4 | | JC66-03148A | ACTUATOR-REGI; CLX-9201,PC,156.8 | SA | 1 |
| 9 | 4 | | JC66-03147A | ACTUATOR-DETECT; CLX-9201,PC,124,BLACK,AC | SA | 1 |

| No. | Lvl. | Loc. | Material Code | Description & Specification | SNA | Qty. |
|-----|------|------|---------------|--|-----|------|
| 10 | 4 | | JC66-02384A | ROLLER IDLE-IDLE TAKE AWAY; CLX-9350,POM, | SNA | 2 |
| 11 | 4 | | JC63-03274A | COVER-OPEN_INNER; CLX-9201,ABS,2,302.7,13 | SNA | 1 |
| 12 | 4 | | JC61-04647A | STOPPER-PAPER; CLX-9201,POM,35.57,BLACK | SA | 2 |

9.1.2. DADF FRAME-MAIN

Exploded View

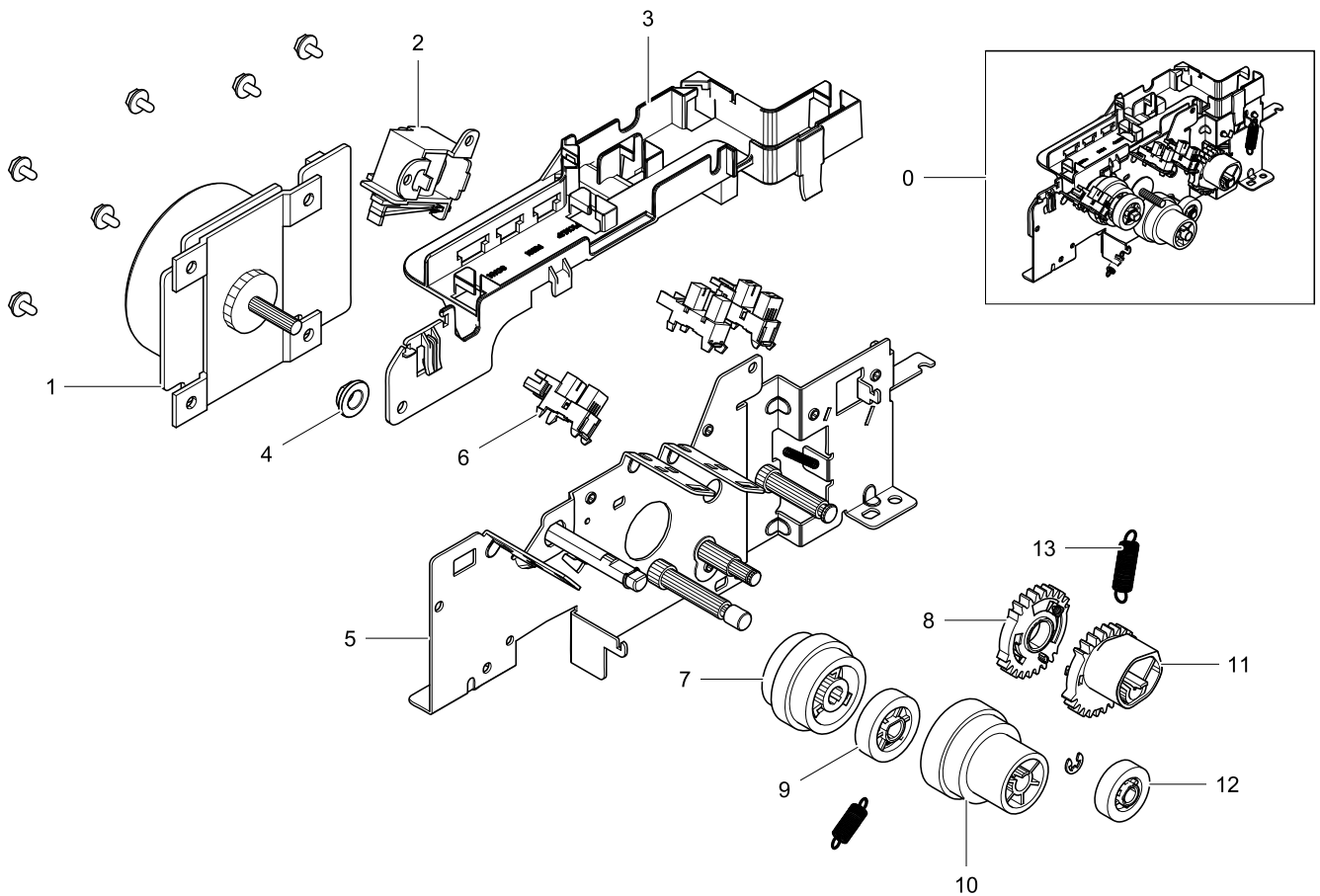


Parts List

| No. | Lvl. | Loc. | Material Code | Description & Specification | SNA | Qty. |
|-----|------|-------|---------------|--|-----|------|
| 0 | 3 | | JC97-03992A | DADF FRAME-MAIN; CLX-9201,SEC | SA | 1 |
| 1 | 4 | | JC97-04243A | ADF-HOLDER ADF RUBBER; CLX-9201,SEC | SA | 1 |
| 1-1 | 5 | F8687 | JB73-00052A | RMO-ADF RUBBER; SCX-1110F,Si Rubber,50,G3 | SA | 1 |
| 1-2 | 5 | | JC63-04366A | SHEET-GUIDE PAD; CLX-9352NA,PET,0.125,37, | SA | 1 |
| 1-3 | 5 | G1371 | JC61-00387A | SPRING ETC-PAD; ML-9400W,SUS304WPB,PI0.5, | SA | 1 |
| 2 | 4 | | JC69-02810A | PAD-GUIDE_PICKUP; CLX-9201,PU,1.0,10,35 | SA | 1 |
| 3 | 4 | | JC61-04583A | GUIDE-PICK_UP; CLX-9201,ABS,2,329.6,PATH | SA | 1 |
| 4 | 4 | | JC61-04908A | BRACKET-EXIT; CLX-9201,EGI-SECC,0.8,316.1 | SNA | 1 |
| 5 | 4 | | JC67-00562A | BRUSH-ANTISTATIC; CLX-9201,SUS FIBER,0.2, | SNA | 1 |
| 6 | 4 | | JC66-03095A | ROLLER ADF-EXIT; CLX-9201,EPDM,16 | SA | 1 |
| 7 | 4 | | JC66-03094A | ROLLER ADF-REGI; CLX-9201,EPDM,16 | SA | 1 |
| 8 | 4 | E9322 | 0604-001393 | PHOTO-INTERRUPTER; TR,75mW,BGA,TR | SA | 1 |
| 9 | 4 | | JC47-00033G | CLUTCH-ELECTRONIC CLUTCH; SCX-8128NA,POM, | SA | 1 |
| 10 | 4 | | JC66-03261A | GEAR-EXIT; CLX-9201,POM,1.0,27,BLACK,29.0 | SNA | 1 |
| 11 | 4 | | JC66-03264A | GEAR-IDLE_CLUTCH; CLX-9201,POM,1.0,22,BLA | SA | 1 |
| 12 | 4 | | 6602-003183 | BELT-TIMING GEAR; 40S2M304,RUBBER,W4.0,L3 | SA | 1 |
| 13 | 4 | | 6602-003186 | BELT-TIMING GEAR; 40S2M258,RUBBER,W4.0,L2 | SA | 1 |
| 14 | 4 | | JC66-03266A | GEAR-KNOB; CLX-9201,POM,0.8,20,ICE GREEN | SNA | 1 |
| 15 | 4 | | JC66-03267A | GEAR-REDUCTION_KNOB; CLX-9201,POM,0.8,48, | SNA | 1 |
| 16 | 4 | | JC66-03184A | ACTUATOR-EXIT; CLX-9201,PC,126.2 | SA | 1 |
| 17 | 4 | | JC66-03177A | ROLLER ADF-EXIT_IDLE; CLX-9201,POM,12 | SA | 2 |
| 18 | 4 | | JC61-04832A | HOLDER-EXIT_IDLE_F; CLX-9201,POM,44,BLACK | SNA | 1 |
| 19 | 4 | | JC66-03093A | ROLLER ADF-RUBBER-FEED; CLX-9201,EPDM,16 | SA | 2 |
| 20 | 4 | | JC61-04584A | GUIDE-WHITE_BAR; CLX-9201,PC,319.5,PATH | SA | 1 |
| 21 | 4 | | JC66-03268A | LINK-EXIT IDLE; CLX-9201,POM,55,BLACK | SNA | 1 |
| 22 | 4 | | JC66-03176A | PULLEY-FEED; CLX-9201,POM,BLACK,6,19.864 | SA | 3 |

9.1.3. DADF-MOTOR

Exploded View



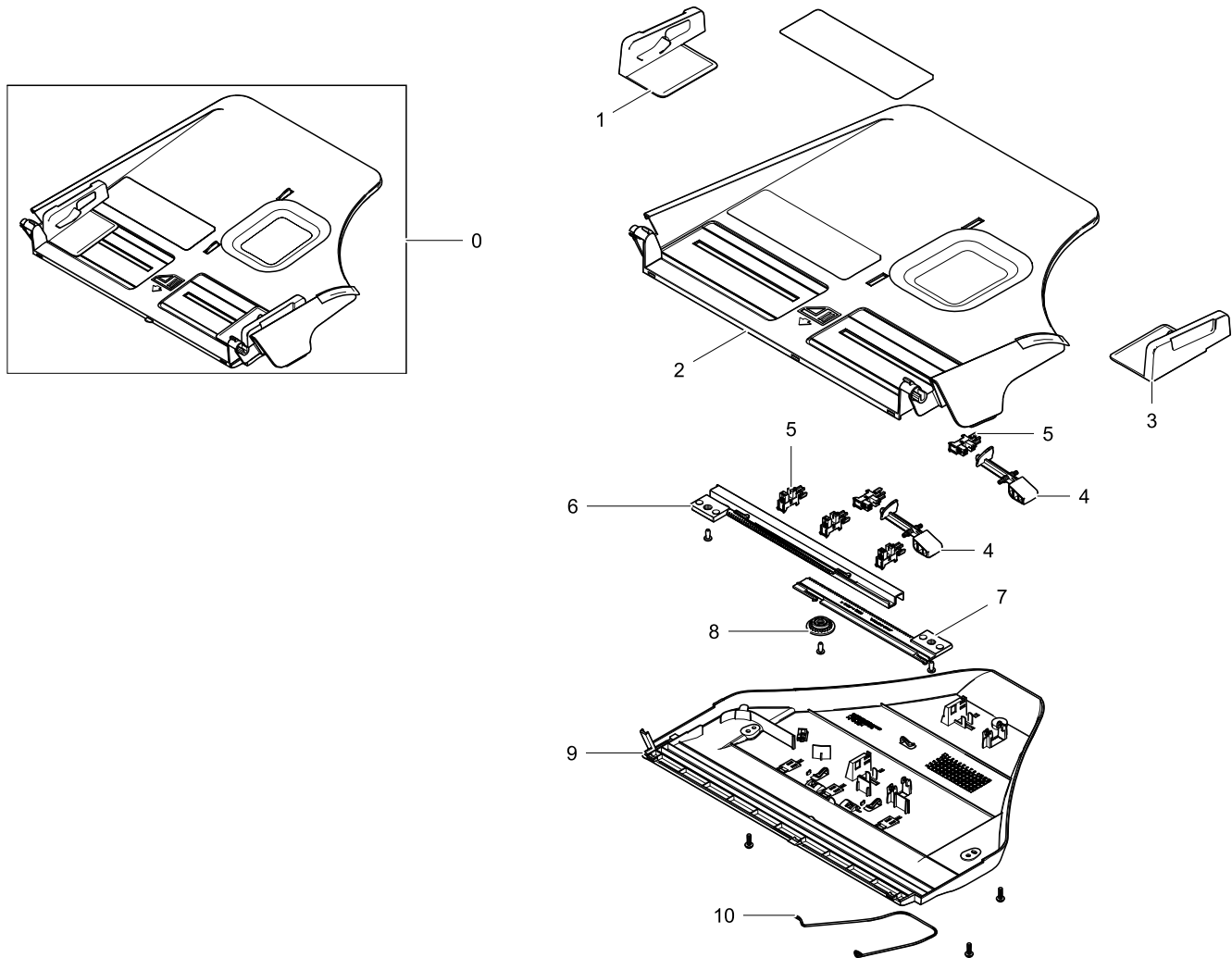
Parts List

| No. | Lvl. | Loc. | Material Code | Description & Specification | SNA | Qty. |
|-----|------|-------|---------------|--|-----|------|
| 0 | 3 | | JC97-03993A | DADF-MOTOR; CLX-9201,SEC | SA | 1 |
| 1 | 4 | | JC31-00156A | MOTOR BLDC-TYPE1; 300~2500rpm,DC 24V,25W, | SA | 1 |
| 2 | 4 | P2163 | JC33-00007A | SOLENOID-PICK UP; SCX-5100,DC 24V,80,36.5 | SA | 1 |
| 3 | 4 | | JC61-04534A | HOLDER-HARNES; CLX-9201,HIPS,198,BLACK | SNA | 1 |
| 4 | 4 | | JC61-00699B | BUSH-EXIT; CLX-9350,BRONZE,6D,With Out De | SA | 1 |
| 5 | 4 | | JC61-04627A | BRACKET-MOTOR; CLX-9201,EGI-SECC,1.0,NATU | SNA | 1 |
| 6 | 4 | E9322 | 0604-001393 | PHOTO-INTERRUPTER; TR,75mW,BGA,TR | SA | 1 |
| 7 | 4 | | JC47-00033G | CLUTCH-ELECTRONIC CLUTCH; SCX-8128NA,POM, | SA | 1 |
| 8 | 4 | | JC66-03260A | GEAR-CAM_OUTER; CLX-9201,POM,1.0,28,BLACK | SNA | 1 |

| No. | Lvl. | Loc. | Material Code | Description & Specification | SNA | Qty. |
|-----|------|------|---------------|--|-----|------|
| 9 | 4 | | JC66-03265A | GEAR-PICKUP_IDLE; CLX-9201,POM,1.0,20,BLA | SNA | 1 |
| 10 | 4 | | JC66-03263A | GEAR-REDUCTION; CLX-9201,POM,0.5/1.0,55/2 | SA | 1 |
| 11 | 4 | | JC66-03259A | GEAR-CAM_INNER; CLX-9201,POM,1.0,28,BLACK | SNA | 1 |
| 12 | 4 | | JC66-03262A | GEAR-EXIT_IDLE; CLX-9201,POM,1.0,16,BLACK | SA | 1 |
| 13 | 4 | | 6107-003036 | SPRING-ES; SWP,0.55,20.8,5.5,22 | SA | 1 |

9.1.4. DADF STACKER

Exploded View

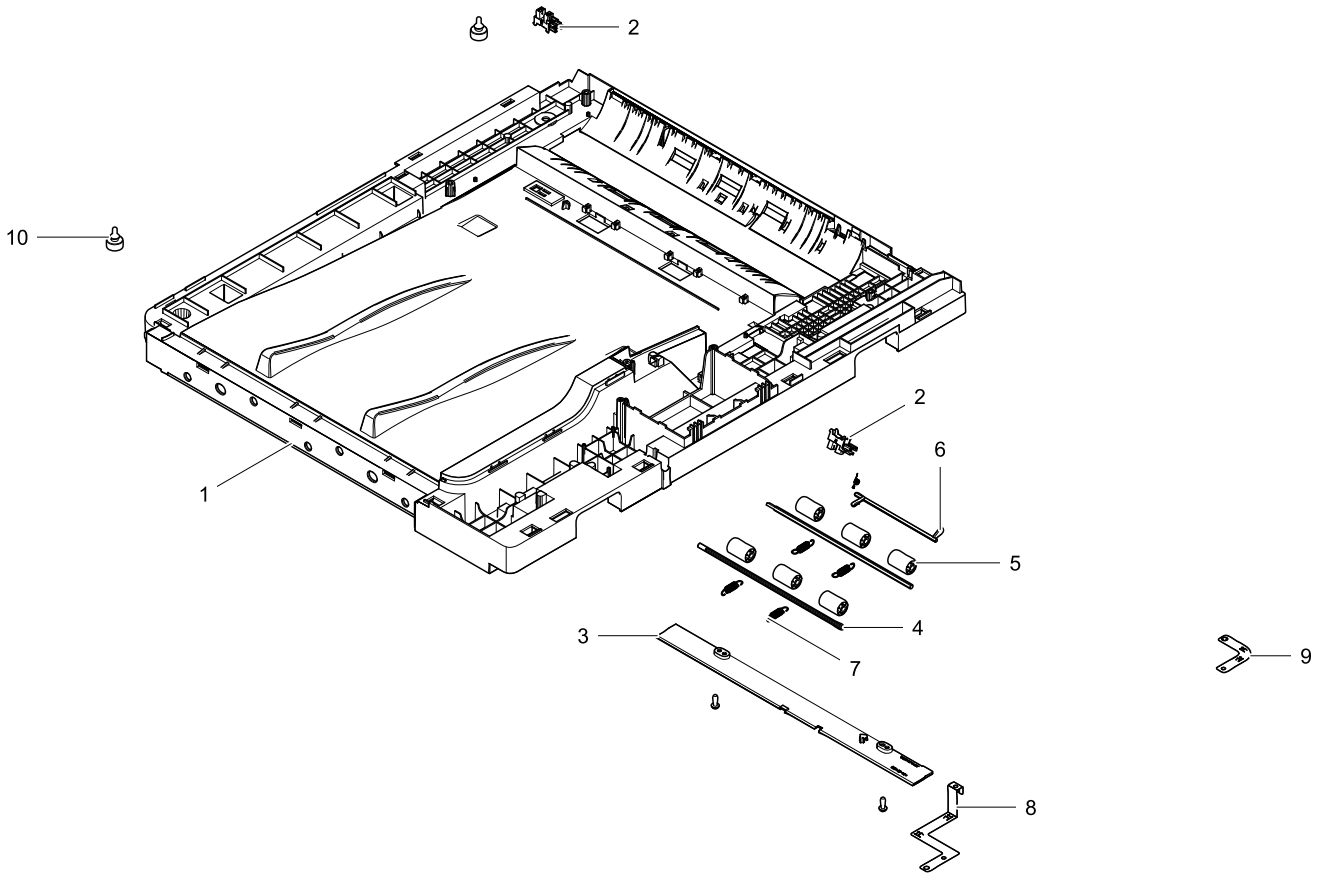


Parts List

| No. | Lvl. | Loc. | Material Code | Description & Specification | SNA | Qty. |
|-----|------|-------|---------------|--|-----|------|
| 0 | 3 | | JC97-03994A | DADF STACKER; CLX-9201,SEC | SA | 1 |
| 1 | 4 | | JC61-04749A | GUIDE-DOC_R; CLX-9201,ABS+PC,2,94.74,NH-1 | SNA | 1 |
| 2 | 4 | | JC61-04746A | GUIDE-STACKER_UPPER; CLX-9201,ABS,348.6,3 | SNA | 1 |
| 3 | 4 | | JC61-04748A | GUIDE-DOC_F; CLX-9201,ABS+PC,2,95.22,NH-1 | SNA | 1 |
| 4 | 4 | | JC66-03209A | ACTUATOR-PAPER_LENGTH; CLX-9201,ABS,22,65 | SA | 2 |
| 5 | 4 | E9322 | 0604-001393 | PHOTO-INTERRUPTER; TR,75mW,BGA,TR | SA | 1 |
| 6 | 4 | | JC61-04751A | GUIDE-GEAR_RACK_R; CLX-9201,ABS,37.03,224 | SNA | 1 |
| 7 | 4 | | JC61-04750A | GUIDE-GEAR_RACK_F; CLX-9201,ABS,33.08,158 | SNA | 1 |
| 8 | 4 | L0401 | JF72-41354A | GEAR; CF4500,POM,NATURAL (WHITE) | SA | 1 |
| 9 | 4 | | JC61-04747A | GUIDE-STACKER_LOWER; CLX-9201,ABS,325.5,2 | SNA | 1 |
| 10 | 4 | I6561 | JC61-01438A | GUIDE-STACKER WIRE; SCX-6345N/XRX,STS,PI1 | SNA | 1 |

9.2. DADF PLATEN

Exploded View

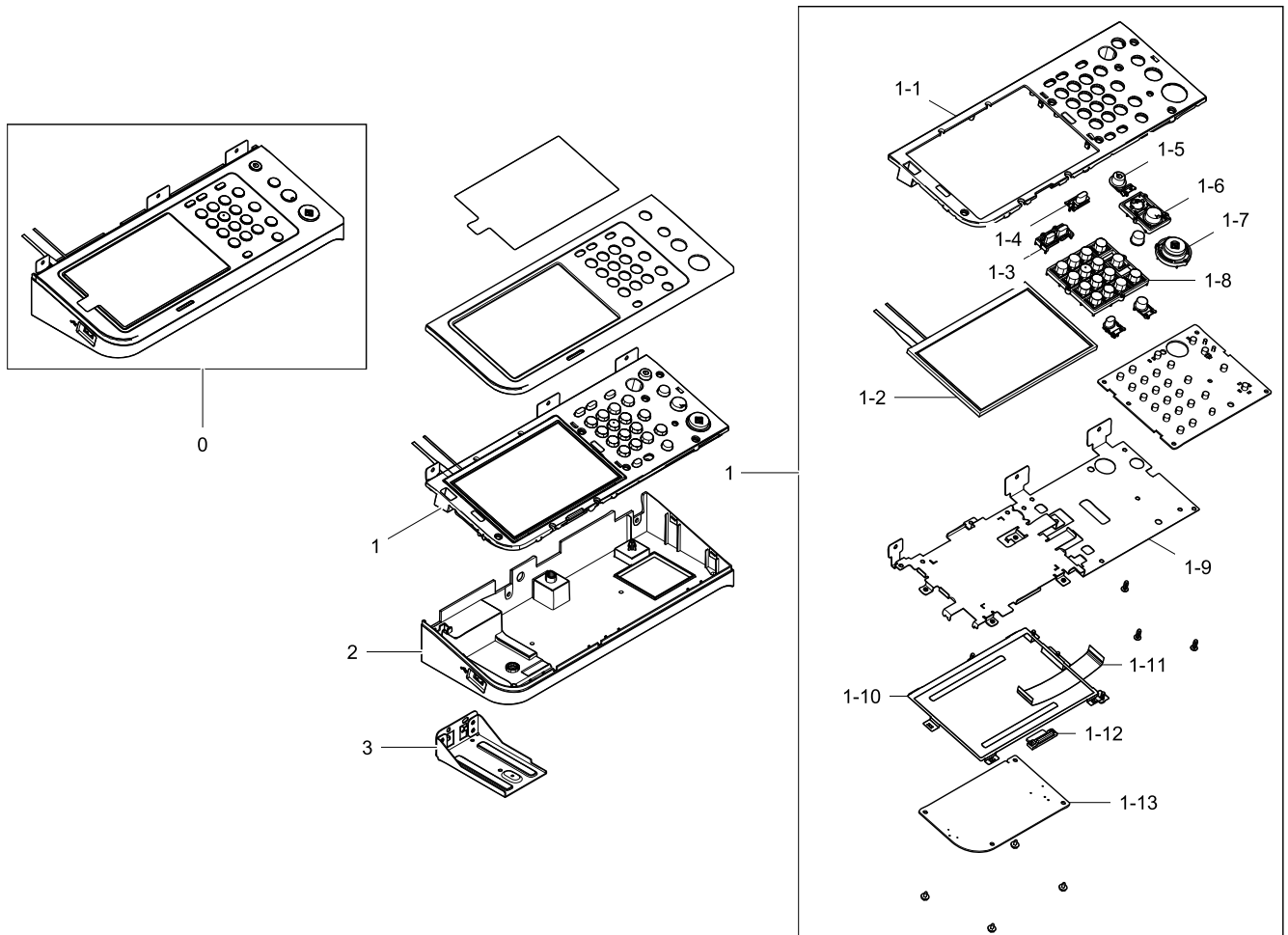


Parts List

| No. | Lvl. | Loc. | Material Code | Description & Specification | SNA | Qty. |
|-----|------|-------|---------------|--|-----|------|
| 1 | 3 | | JC63-03348A | COVER-PLATEN; CLX-9201,ABS,2,482.5,548,SP | SNA | 1 |
| 2 | 3 | E9322 | 0604-001393 | PHOTO-INTERRUPTER; TR,75mW,BGA,TR | SA | 2 |
| 3 | 3 | | JC63-03347A | COVER-DUMMY_PLATEN; CLX-9201,ABS,2,24,306 | SNA | 1 |
| 4 | 3 | | JC66-03211A | SHAFT-IDLE_FEED; CLX-9201,SUM23,172,4 | SNA | 2 |
| 5 | 3 | F8903 | JC66-01022B | ROLLER IDLE-IDLE SCF; SCX-6555N,POM,NW-02 | SNA | 6 |
| 6 | 3 | | JC66-03210A | ACTUATOR-SCAN; CLX-9201,PC,96.4,BLACK,ACT | SA | 1 |
| 7 | 3 | | 6107-003277 | SPRING-ES; SWP A,0.45,18.2,5.6,11.5,RIGHT | SA | 4 |
| 8 | 3 | | JC63-03351A | GROUND-HINGE_RIGHT; CLX-9201,C5210P,0.2,4 | SNA | 1 |
| 9 | 3 | | JC63-03349A | GROUND-HINGE_FRAME; CLX-9201,C5210P,0.2,4 | SNA | 1 |
| 10 | 3 | I4848 | JC61-40001A | FOOT-ML80; ML-80,NBR,GRAY | SNA | 2 |

10.OPE

Exploded View



Parts List

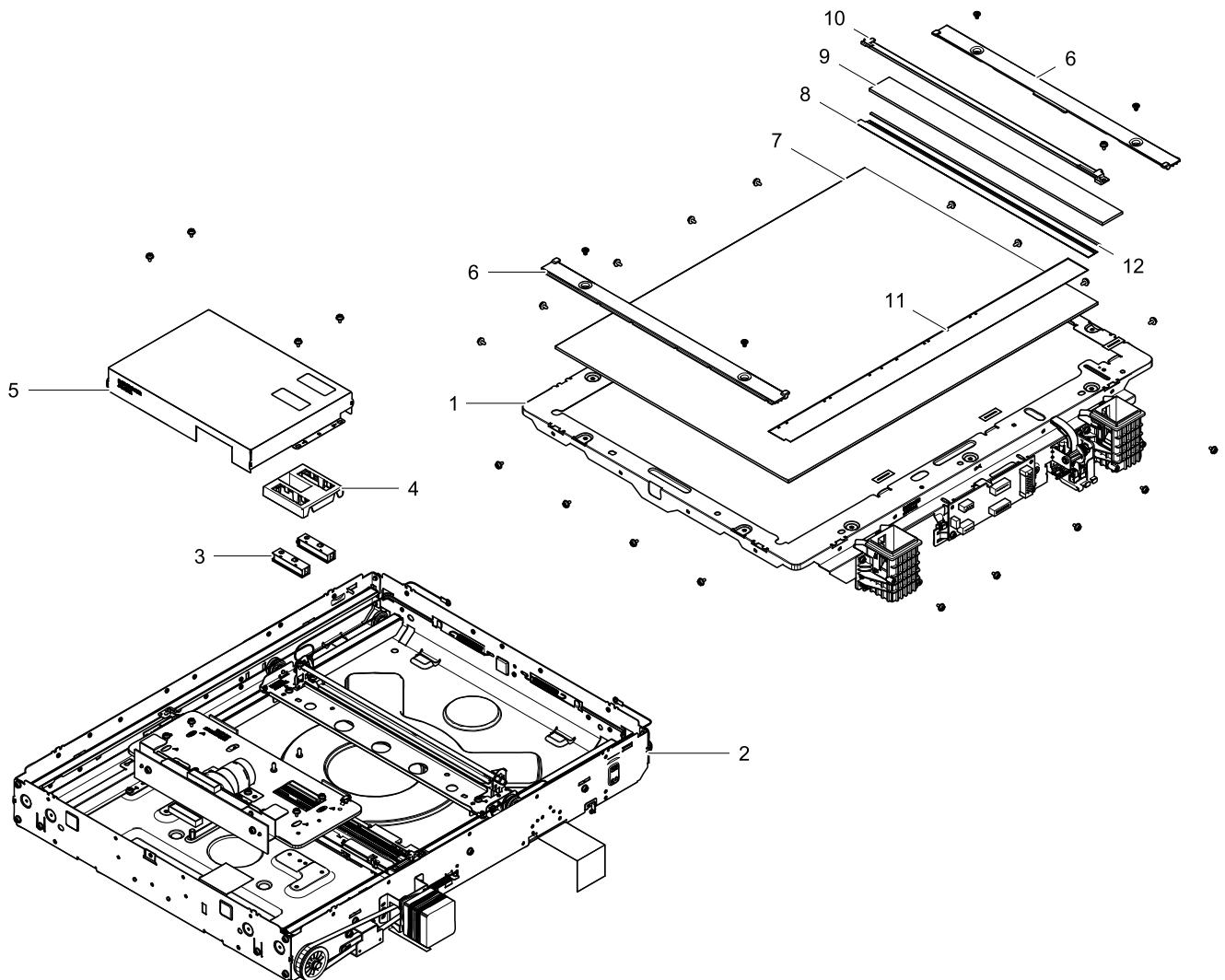
| No. | Lvl. | Loc. | Material Code | Description & Specification | SNA | Qty. |
|-----|------|------|---------------|--|-----|------|
| 0 | 1 | | JC97-04006A | OPE; CLX-9201,WORLD,SEC | SNA | 1 |
| 1 | 2 | | JC97-04007A | OPE-FRONT; CLX-9201,WORLD,SEC | SA | 1 |
| 1-1 | 3 | | JC63-03407A | COVER-FRONT OPE; CLX-9201,ABS,T2.5,W322.4 | SA | 1 |
| 1-2 | 3 | | JC07-00021A | LCD; LMS700KF28-0,SCX-6555N,800(H) x 480(| SA | 1 |
| 1-3 | 3 | | JC64-00683A | KEY-JOB STATUS; CLX-9201,ABS,37*15.8,T1.5 | SNA | 1 |
| 1-4 | 3 | | JC67-00586A | LENS-ECO; CLX-9201,PMMA,WT0052,24.7*12.4, | SNA | 1 |
| 1-5 | 3 | | JC64-00691A | KEY-POWER; CLX-9201,PMMA,16.6*25,T1.5,WT0 | SA | 1 |
| 1-6 | 3 | | JC64-00685A | KEY-STOP; CLX-9201,ABS,29.1*43.6,T1.5,353 | SA | 1 |
| 1-7 | 3 | | JC64-00686A | KEY-START; CLX-9201,ABS,35*35,T1.5,C83180 | SA | 1 |
| 1-8 | 3 | | JC64-00684A | KEY-M TEL; CLX-9201,ABS,76*68.7,T1.5,G326 | SA | 1 |

Exploded Views and Parts List

| No. | Lvl. | Loc. | Material Code | Description & Specification | SNA | Qty. |
|------|------|------|---------------|--|-----|------|
| 1-9 | 4 | | JC61-04561A | BRACKET-LCD; CLX-9201,SECC,T0.8,W303.6,L1 | SNA | 1 |
| 1-10 | 3 | | JC63-03310A | GROUND-TOUCH; CLX-9201,STS,0.3,W171.25,L1 | SNA | 1 |
| 1-11 | 3 | | JC39-01575A | FLAT CABLE-KEY; CLX-9201,20P,0.065,140mm, | SA | 1 |
| 1-12 | 3 | | JC67-00560A | LENS-STATUS; CLX-9201,PMMA,WT0052,34.3*14 | SNA | 1 |
| 1-13 | 4 | | JC92-02436A | PBA-OPE; CLX-9201/9251/9301,SEC,SERIAL,OP | SA | 1 |
| 2 | 2 | | JC63-03408A | COVER-BOTTOM OPE; CLX-9201,ABS,T3,W329.45 | SNA | 1 |
| 3 | 2 | | JC61-04567A | BRACKET-SUPPORT; CLX-9201,SECC,T1,W61,L10 | SNA | 1 |

11.PLATEN FR HR

Exploded View



Parts List

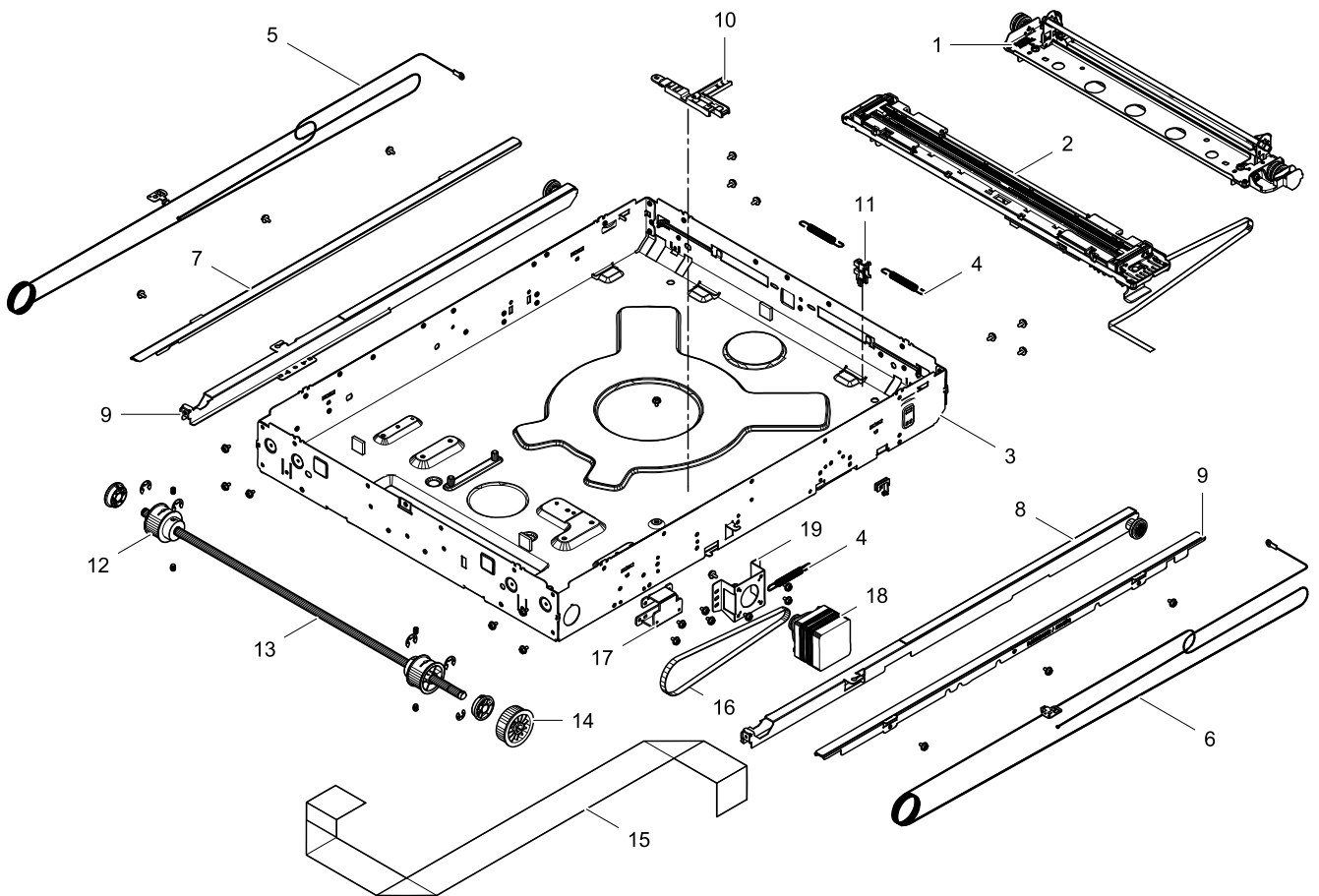
| No. | Lvl. | Loc. | Material Code | Description & Specification | SNA | Qty. |
|-----|------|------|---------------|---|-----|------|
| 1 | 3 | | JC97-04002A | PLATEN FR HR-UPPER; CLX-9201,SCANNER | SNA | 1 |
| 2 | 3 | | JC97-03985A | PLATEN FR HR-LOWER; CLX-9201,SCANNER | SNA | 1 |
| 3 | 3 | | 0604-001453 | PHOTO-INTERRUPTER; PHOTO IC,30mW,BULK | SA | 2 |
| 4 | 3 | | JC61-04569A | HOLDER-APS; CLX-9201,ABS,60,60,BLACK | SNA | 1 |
| 5 | 2 | | JC61-04638A | PLATE-ALIGN COVER; CLX-9201,EGI-SECC,0.5, | SNA | 1 |
| 6 | 2 | | JC63-03296A | COVER-GLASS; CLX-9201,ABS,346,24.79,SPLIT | SA | 2 |
| 7 | 2 | | JC01-00072A | GLASS OTHERS-SCAN; 459.4*346,3.2 | SA | 1 |
| 8 | 2 | | JC61-04814A | GUIDE-PAPER V; PC,0.5 | SA | 1 |

Exploded Views and Parts List

| No. | Lvl. | Loc. | Material Code | Description & Specification | SNA | Qty. |
|-----|------|------|---------------|--|-----|------|
| 9 | 2 | | JC01-00073A | GLASS OTHERS-SCAN ADF; 346*30,3.2 | SA | 1 |
| 10 | 3 | | JC61-04811A | GUIDE-ADF-PATH; CLX-9201,PC,15.28,360.48, | SNA | 1 |
| 11 | 2 | | JC61-04815A | GUIDE-PAPER H; PC,0.5 | SA | 1 |
| 12 | 3 | | JC63-03315A | SPONGE-GUIDE ADF; PORON,0.7,331,2.5,BLACK | SNA | 1 |

11.1. PLATEN FR HR-LOWER

Exploded View



Parts List

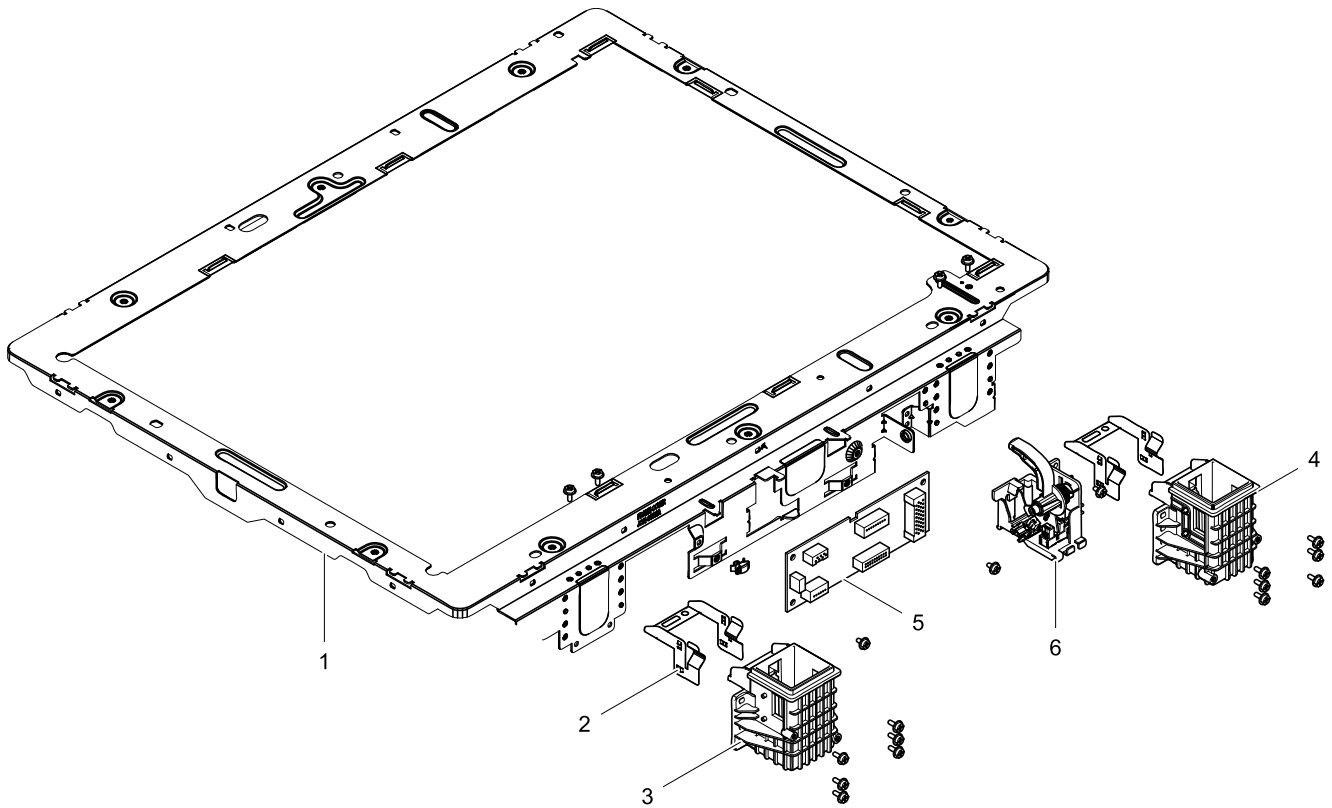
| No. | Lvl. | Loc. | Material Code | Description & Specification | SNA | Qty. |
|-----|------|------|---------------|--|-----|------|
| 1 | 4 | | JC97-03984A | PLATEN FR HR-CARRIAGE HR; CLX-9201,SCANNE | SNA | 1 |
| 2 | 4 | | JC97-03983A | PLATEN FR HR-CARRIAGE FR; CLX-9201,SCANNE | SNA | 1 |
| 3 | 5 | | JC61-04674A | FRAME-BASE; CLX-9201,EGI-SECC,1,409,532,P | SNA | 1 |
| 4 | 4 | | 6107-001698 | SPRING-ES; SUS,PI0.8,L42,OD6.4 | SA | 1 |
| 5 | 4 | | JC97-03998A | PLATEN FR HR-STRING FRONT; CLX-9201,SCANN | SNA | 1 |
| 6 | 4 | | JC97-03999A | PLATEN FR HR-STRING REAR; CLX-9201,SCANNE | SNA | 1 |
| 7 | 5 | | JC97-03988A | PLATEN FR HR-RAIL UPPER; CLX-9201,SCANNER | SNA | 2 |
| 8 | 5 | | JC97-03987A | PLATEN FR HR-RAIL LOWER R; CLX-9201,SCANN | SNA | 1 |

Exploded Views and Parts List

| No. | Lvl. | Loc. | Material Code | Description & Specification | SNA | Qty. |
|-----|------|-------|---------------|--|-----|------|
| 9 | 5 | | JC97-03986A | PLATEN FR HR-RAIL LOWER F; CLX-9201,SCANN | SNA | 1 |
| 10 | 6 | | JC61-04572A | HOLDER-CABLE; CLX-9201,ABS,92,52,BLACK | SNA | 1 |
| 11 | 4 | E9322 | 0604-001393 | PHOTO-INTERRUPTER; TR,75mW,BGA,TR | SA | 1 |
| 12 | 4 | | JC66-03242A | PULLEY-DRIVING; CLX-9201,PC,BLACK,8,33 | SA | 2 |
| 13 | 4 | | JC66-03186A | SHAFT-DRIVING; CLX-9201,SUM 22,437.1,8.0, | SA | 1 |
| 14 | 4 | | JC66-02257A | PULLEY-BELT; CLX-9350,POM,WHITE,8,36.305, | SA | 1 |
| 15 | 5 | | JC39-01673A | FLAT CABLE-CCD IF; CLX-9201,40P,760mm,AWM | SA | 1 |
| 16 | 4 | | 6602-001725 | BELT-TIMING GEAR; 366-1.5GT,Rubber(CR),W6 | SA | 1 |
| 17 | 4 | | JC61-04629A | BRACKET-SUPPORT; CLX-9201,SECC,1.6,56,27 | SNA | 1 |
| 18 | 4 | | JC31-00158A | MOTOR STEP 1P; 17PM-K049-P6WS,HB,2,2.2V,4 | SA | 1 |
| 19 | 4 | | JC61-04630A | BRACKET-MOTOR; CLX-9201,SECC,1.0,64,40.5 | SNA | 1 |

11.2. PLATEN FR HR-UPPER

Exploded View



Parts List

| No. | Lvl. | Loc. | Material Code | Description & Specification | SNA | Qty. |
|-----|------|------|---------------|--|-----|------|
| 1 | 5 | | JC61-04693A | FRAME-COVER; CLX-9201,EGI-SECC,1,411.8,53 | SNA | 1 |
| 2 | 5 | | JC63-03314A | GROUND-HINGE; CLX-9201,C5210,0.2,48.5,39. | SNA | 1 |
| 3 | 5 | | JC61-04574A | HOLDER-HINGE-R; CLX-9201,ABS,61.3,61 | SNA | 1 |
| 4 | 5 | | JC61-04573A | HOLDER-HINGE-L; CLX-9201,ABS,59,63.1 | SNA | 1 |
| 5 | 4 | | JC92-02447A | PBA-SCAN JOINT; CLX-9201,SEC,STM8S,UART,5 | SA | 1 |
| 6 | 4 | | JC97-04003A | PLATEN FR HR-OPEN SENSOR; CLX-9201,SCANNE | SA | 1 |