



Parts Catalog - CLX-8385ND



High-Speed Single-Path Color A4 MFP

- 38 / 38 ppm Network-ready CMFP
- 20K/15K Black/Color toner
- 30K CMYK Imaging unit
- 100K ITB
- Paper handling
 - : Up to 3 x 520sh Cassette + 100sh MP
- 160 GB HDD
- High Performance CCDM
- Easy to install (CRU & Option)
- Color Graphic Touch-Screen LCD
- Low Cost per Page
- Direct USB
- S/W Option
 - : N/W Scan Enabler (Scan to Email/FTP/SMB/Client)
 - : SmarThru Workflow
- Finisher with stapler and offset stacking
 - : 100sh DADF

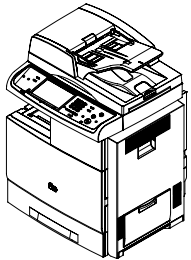
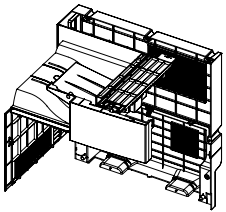
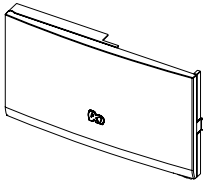
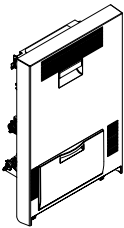
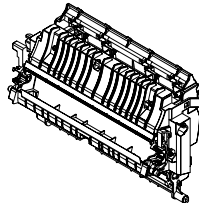
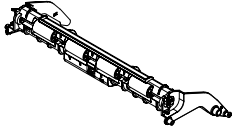
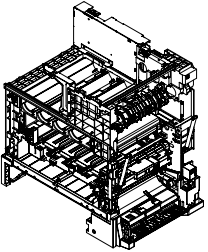
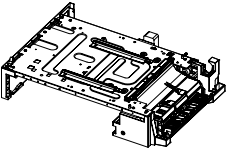
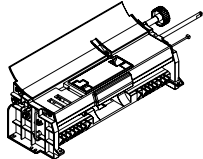
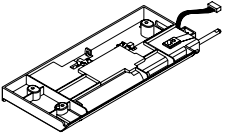
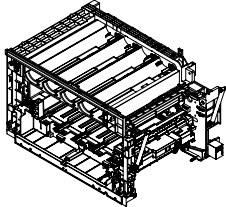
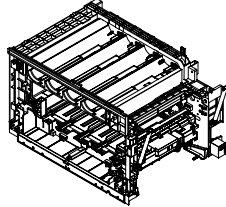
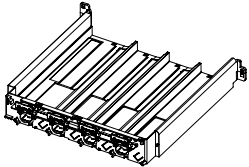
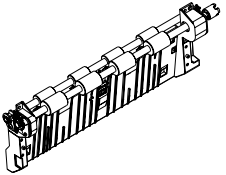
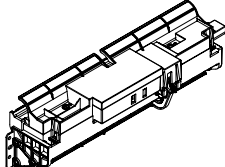
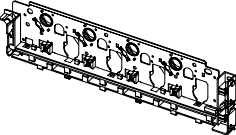
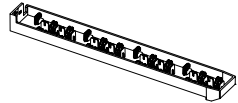
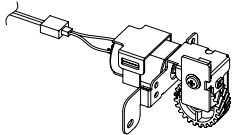
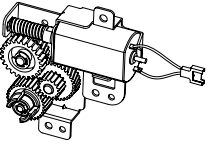
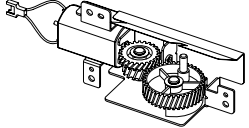
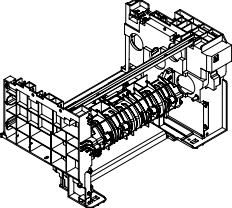
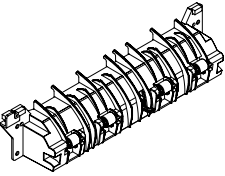
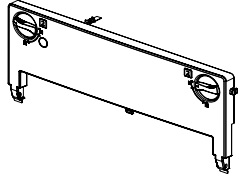
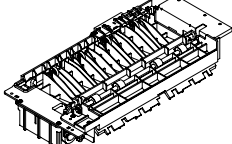
**This Parts Catalog is a property of Samsung Electronics Co.,Ltd.
Any unauthorized use of this manual can be punished under
applicable International and/or domestic law.**

Exploded view and parts list

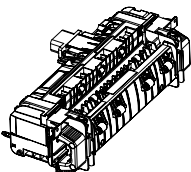
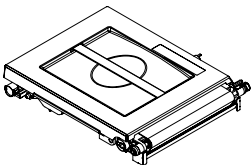
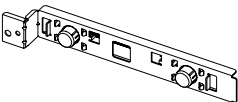
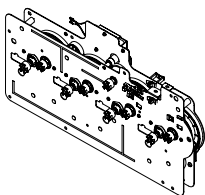
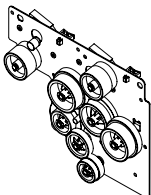
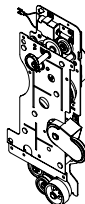
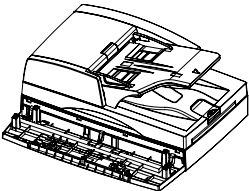
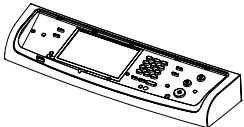
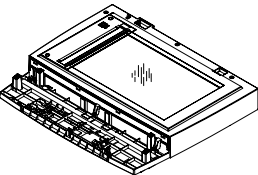
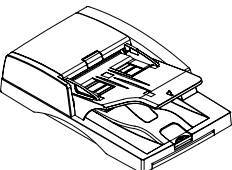
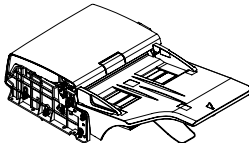
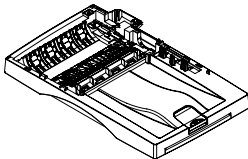
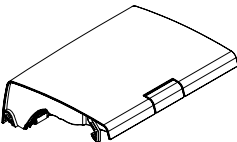
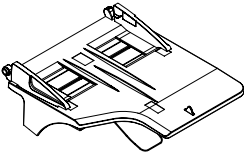
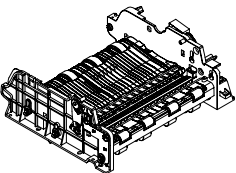
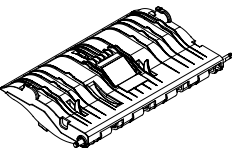
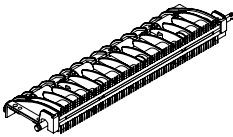
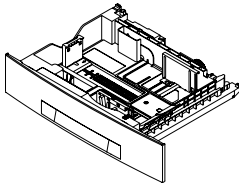
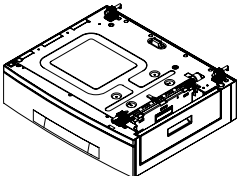
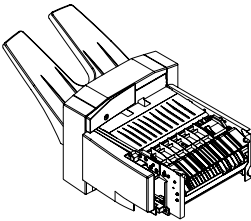
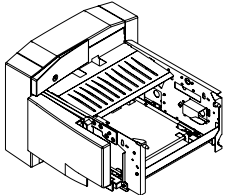
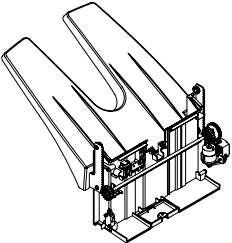
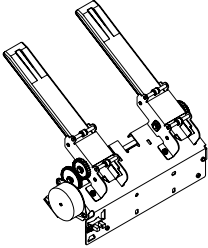
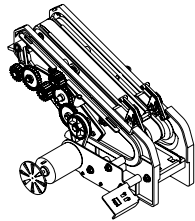
Contents

Thumbnail	4	24. Exit ass'y	65	44-7. Feed unit	120
Harness summary	7	25. Fuser_LV unit	67	45. 2Bin Finisher (SCX-FIN20S)	122
Maintenance parts	16	26. Cartridge_transfer.....	69	45-1. Main finisher	122
Option unit	17	27. Pusher_LSU	72	45-2. Frame unit	124
1. Main	18	28. DEVE drive	74	45-3. Feed unit	128
2. Cover unit.....	21	29. Fuser drive.....	76	45-4. Compile unit	132
3. Cover front unit	23	30. Main drive	78	45-5. Ejector unit.....	134
4. Side duplex	25	31. Scanner ass'y	80	45-6. Extension tray unit	136
5. Duplex	27	32. Ope unit	82	45-7. Stacker unit	138
6. Feed idle	29	33. Platen ass'y	84	45-8. Top tray unit	141
7. Frame top.....	31	34. DADF ass'y	87	46. Mail box	143
8. Frame base	33	35. DADF sub ass'y	89	46-1. Main	143
9. MP unit	35	36. Cover platen_DADF	91	46-2. As-shield top stkr ass'y	145
10. Pick up ass'y	37	37. Cover open_DADF	93	46-3. As-actuator shield ass'y	147
11. Frame lower1.....	39	38. TX stacker_DADF.....	95	46-4. As-base sub ass'y.....	149
12. Frame lower2	41	39. Guide scan_DADF	97	46-5. As-cover jam frame ass'y	151
13. Bottle base.....	43	40. Guide pick up_DADF	99	47. HCF unit (optional unit)	153
14. Registration	45	41. Exit unit_DADF	101	47-1. Ela hou-HCF	153
15. Guide reai	47	42. Cassette.....	103	47-2. Sub plate-bottom	155
16. Holder opc	49	43. SCF.....	105	47-3. Sub unit-rear	157
17. HV deve	51	44. 1Bin finisher (SCX-FIN11S)	108	47-4. As-unit frame right	159
18. WTB motor.....	53	44-1. Main finisher	108	47-5. Ela hou-upper	161
19. Toner drive.....	55	44-2. Frame unit	110	47-6. As-unit cassette.....	163
20. LSU cleaning	57	44-3. Stacker unit	112	47-7. Mea unit-knock up	165
21. Frame upper	59	44-4. Extension tray unit	114	47-8. Mea unit-paper side r	167
22. Guide exit	61	44-5. Ejector unit.....	116	47-9. Mea unit-paper side l	169
23. Front opc unit	63	44-6. Compile unit	118	47-10. Sub guide rear	171

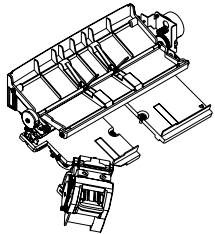
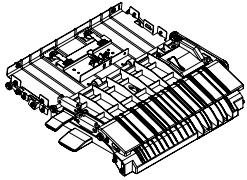
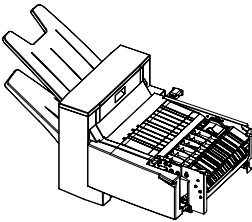
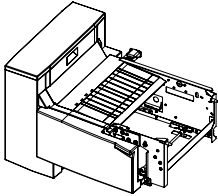
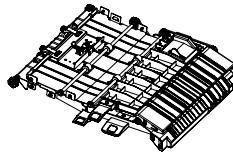
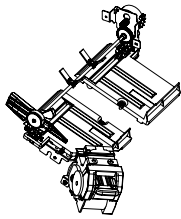
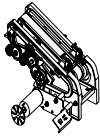
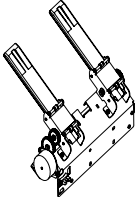
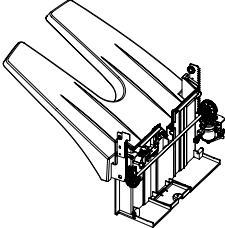
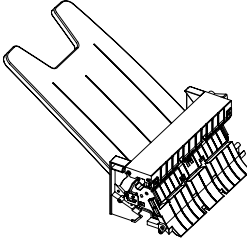
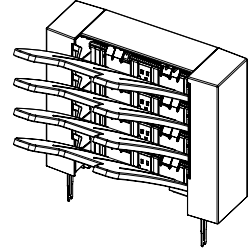
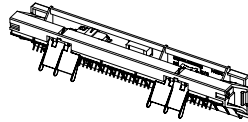
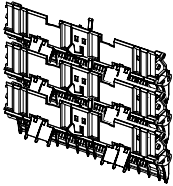
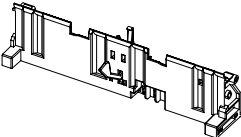
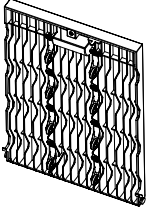
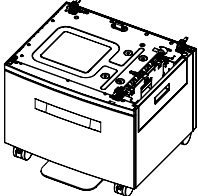
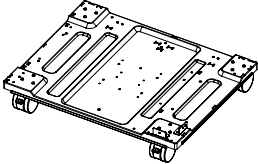
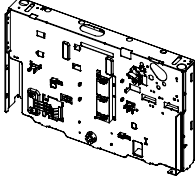
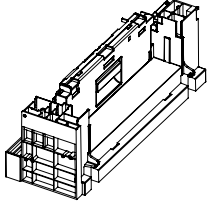
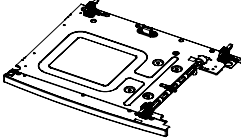
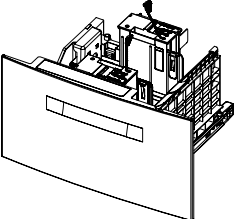
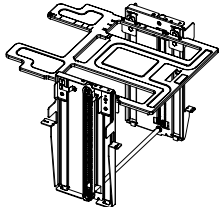
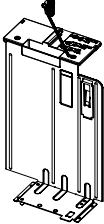
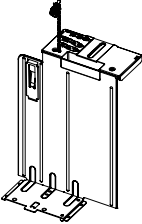
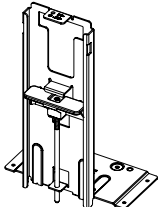
Thumbnail

					
1. Main(See P.18)	2. Cover Unit(See P.21)	3. Cover Front Unit(See P.23)	4. Side Duplex(See P.25)	5. Duplex(See P.27)	6. Feed Idle(See P.29)
					
7. Frame Top(See P.31)	8. Frame Base(See P.33)	9. MP Unit(See P.35)	10. Pick Up Ass'y(See P.37)	1. Frame Lower1(See P.39)	12. Frame Lower2(See P.41)
					
13. Bottle Base(See P.43)	14. Registration(See P.45)	15. Guide REGI(See P.47)	16. Holder OPC(See P.49)	17. HV DEVE(See P.51)	18. WTB Motor(See P.53)
					
19. Toner Drive(See P.55)	20. LSU Cleaning(See P.57)	21. Frame Upper(See P.59)	22. Guide Exit(See P.61)	23. Front OPC Unit(See P.63)	24. Exit Ass'y(See P.65)

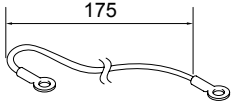
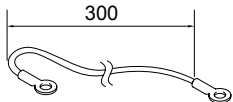
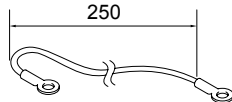
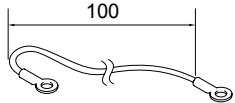
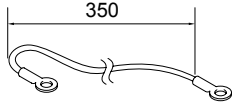
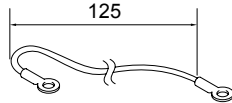


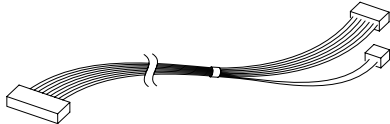
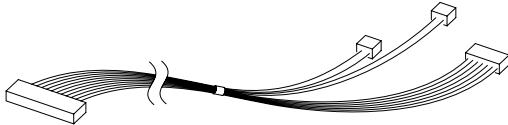


Thumbnail

					
25. Fuser Unit(See P.67)	26. Cartridge_Transfer(See P.69)	27. Pusher_LSU(See P.72)	28. DEVE Drive(See P.74)	29. Fuser Drive(See P.76)	30. Main Drive(See P.78)
					
31. Scanner Ass'y(See P.80)	32. OPE Unit(See P.82)	33. Platen Ass'y(See P.84)	34. DADF Ass'y(See P.87)	35. DADF Sub Ass'y(See P.89)	36. Cover Platen_DADF(See P.91)
					
37. Cover Open_DADF(See P.93)	38. TX Stacker_DADF(See P.95)	39. Guide Scan_DADF(See P.97)	40. Guide Pick Up_DADF(See P.99)	41. Exit Unit_DADF(See P.101)	42. Cassette(See P.103)
					
43. SCF(See P.105)	44-1. Main Finisher(See P.108)	44-2. Frame Unit(See P.110)	44-3. Stacker Unit(See P.112)	44-4. Extension Tray Unit(See P.114)	44-5. Ejector Unit(See P.116)

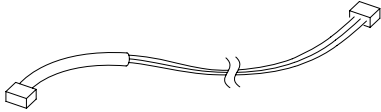
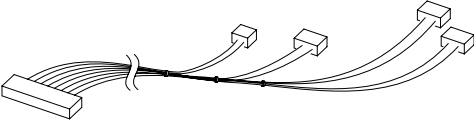
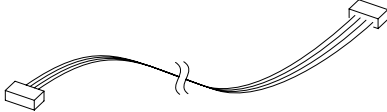

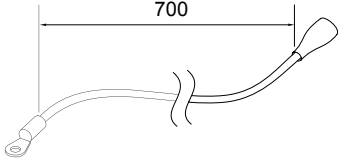

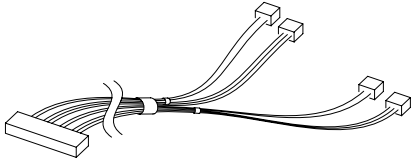
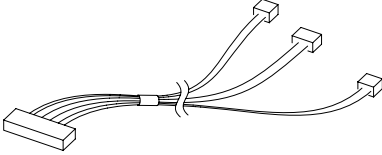
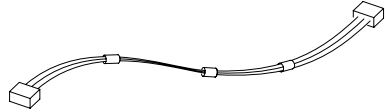
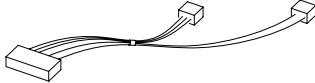

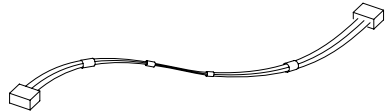
Thumbnail

						
44-6. Compile Unit(See P.118)	44-7. Feed Unit(See P.120)	45-1. Main Finisher(See P.122)	45-2. Frame Unit(See P.124)	45-3. Feed Unit(See P.128)	45-4. Compile Unit(See P.132)	
						
45-5. Ejector Unit(See P.134)	45-6. Extension Tray Unit (See P.136)	45-7. Stacker Unit (See P.138)	45-8. Top tray unit(See P.141)	46-1. MAIN (See P.143)	46-2. AS-SHIELD TOP STKR ASSY(See P.145)	
						
46-3. AS-ACTUATOR SHIELD ASSY(See P.147)	46-4. AS-BASE SUB ASSY (See P.149)	46-5. AS-COVER JAM FRAME ASSY(See P.151)	47-1. ELA HOU-HCF(See P.153)	47-2. SUB PLATE-BOTTOM (See P.155)	47-3. SUB UNIT-REAR(See P.157)	
						
47-4. AS-UNIT FRAME RIGHT (See P.159)	47-5. ELA HOU-UPPER (See P.161)	47-6. AS-UNIT CASSETTE (See P.163)	47-7. MEA UNIT-KNOCK UP (See P.165)	47-8. MEA UNIT-PAPER SIDE R(See P.167)	47-9. MEA UNIT-PAPER SIDE L(See P.169)	47-10. SUB GUIDE REAR(See P.171)

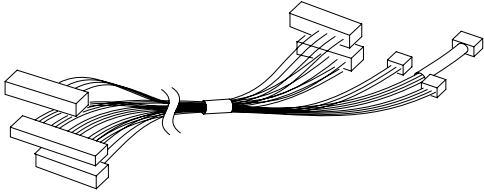
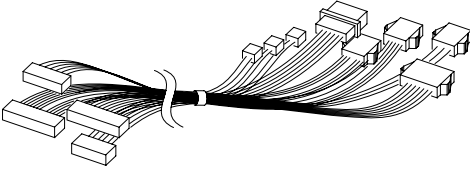
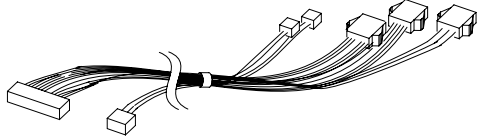



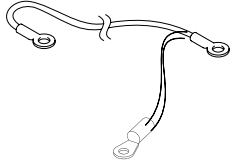
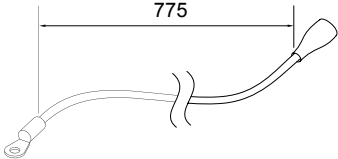

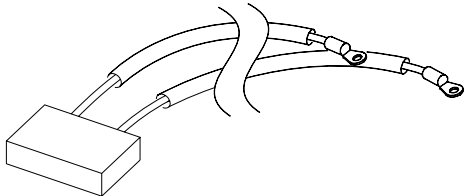
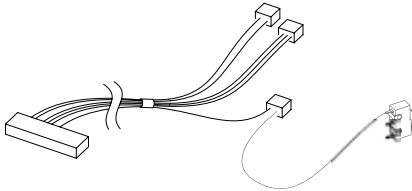

Harness summary

		
<p>1. CBF Harness-SCF GND (JC39-00091A)</p>	<p>2. CBF Harness-BRUSH GND (JC39-00114A)</p>	<p>3. CBF Harness-SCAN GND (JC39-00322A)</p>
		
<p>4. CBF Harness-LSU_GND (JC39-00496A)</p>	<p>5. CBF Harness-GND2 (JC39-00508A)</p>	<p>6. CBF Harness-GND ZENER (JC39-00509A)</p>
		
<p>7. Harness-BLDC BK (JC39-00688A)</p>	<p>8. Harness-BLDC DEV (JC39-00689A)</p>	<p>9. Harness-BLDC OPC (JC39-00690A)</p>
		
<p>10. Harness-BLDC_ITB&T2 (JC39-00691A)</p>	<p>11. Harness_HVPS small (JC39-01236A)</p>	<p>12. Harness-MOT_STEP (JC39-00693A)</p>

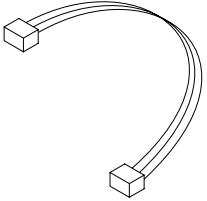
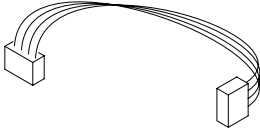
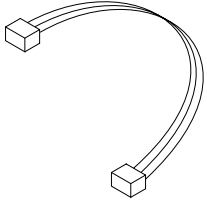

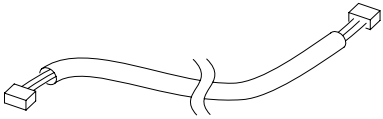
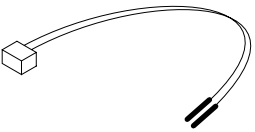
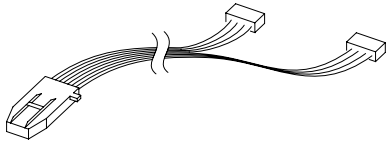
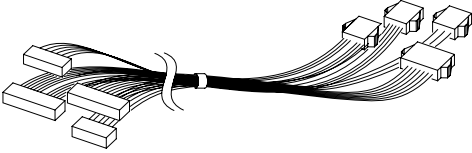
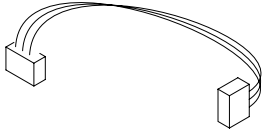

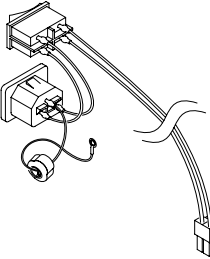
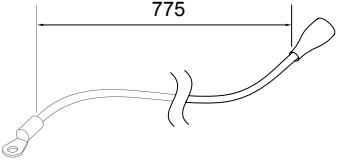
Harness summary

		
<p>13. Harness-SENS_WTB_EXT (JC39-00694A)</p>	<p>14. Harness-ACR (JC39-01213A)</p>	<p>15. Harness-HUMIDITY (JC39-00696A)</p>
		
<p>16. Harness-CRUM (JC39-00698A)</p>	<p>17. Harness-FUSER_BIAS (JC39-00699A)</p>	<p>18. Harness-DEVE CRUM (JC39-00700A)</p>
		
<p>19. Harness-LSU CLEAN MOT/SENS (JC39-00701A)</p>	<p>20. Harness-MP SPK (JC39-00702A)</p>	<p>21. Harness-SENS EXIT (JC39-00703A)</p>
		
<p>22. Harness-EXIT (JC39-00704A)</p>	<p>23. Harness-REGI (JC39-00705A)</p>	<p>24. Harness-SENS FEED (JC39-00706A)</p>

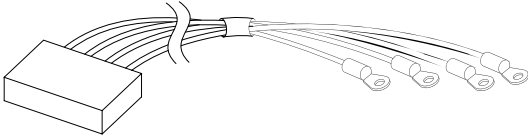
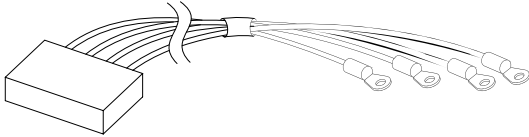
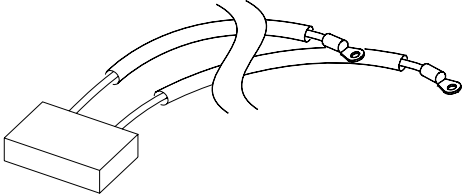
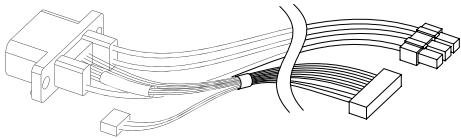
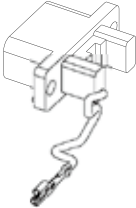
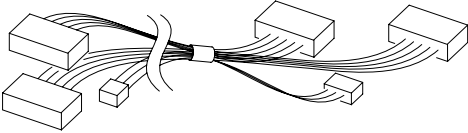
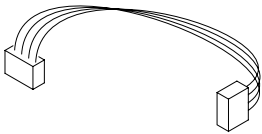
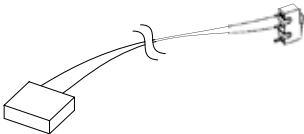
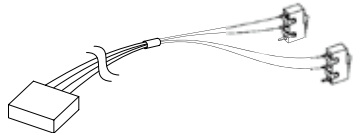
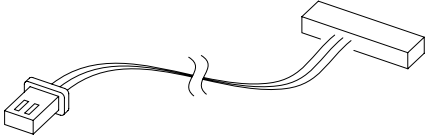
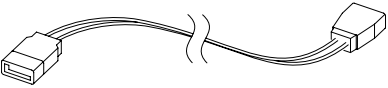
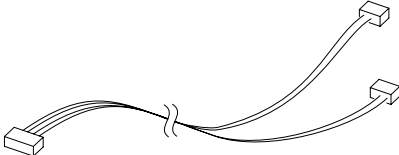
Harness summary

		
<p>25. Harness-FAN&FUSER&HVPS(JC39-00707A)</p>	<p>26. Harness-BASE DUPL CLT (JC39-00708A)</p>	<p>27. Harness-DUPLEX (JC39-00709A)</p>
		
<p>28. Harness-SENS T1 ENGA (JC39-00710A)</p>	<p>29. Harness-BLDC FUSER (JC39-00711A)</p>	<p>30. Harness-TB_MT (JC39-00712A)</p>
		
<p>31. Harness-HVPS_GND (JC39-00713A)</p>	<p>32. Harness-HVPS_SAW (JC39-00714A)</p>	<p>33. Harness-MP_CLT (JC39-00715A)</p>
		
<p>34. Harness-HVPS_CHAR_CK (JC39-00718A)</p>	<p>35. Harness-SCF EMPTY (JC39-00719A)</p>	<p>36. Harness-TRAY SIZE (JC39-00720A)</p>






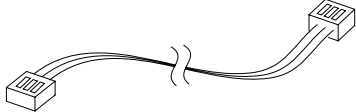
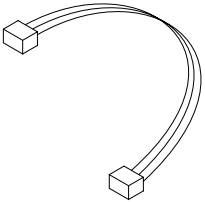

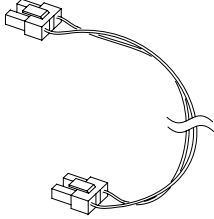

Harness summary

		
<p>37. Harness-SCF_CLT (JC39-00721A)</p>	<p>38. Harness-SCAN MT (JC39-00723A)</p>	<p>39. Harness-WB_MT (JC39-00724A)</p>
		
<p>40. Harness-FINISHER (JC39-00725A)</p>	<p>41. Harness-HVPS_FAN (JC39-00726A)</p>	<p>42. Harness-ERASER (JC39-00727A)</p>
		
<p>43. Harness-DEVE TC&CRUM (JC39-00728A)</p>	<p>44. Harness-LSU&P_MT (JC39-00730A)</p>	<p>45. Harness-WB_MT_SENS (JC39-00731A)</p>
		
<p>46. Harness-MESH_GND (JC39-00732A)</p>	<p>47. Harness-POWER_SW (JC39-00739A)</p>	<p>48. Harness-HVPS_T2 (JC39-00742A)</p>

Harness summary

		
<p>49. Harness-HVPS MAG (JC39-00743A)</p>	<p>50. Harness-HVPS_T1 (JC39-00744A)</p>	<p>51. Harness-HVPS_CHAR_YM (JC39-00745A)</p>
		
<p>52. Harness-FUSER FR (JC39-00746A)</p>	<p>53. Harness-FUSER FU (JC39-00747A)</p>	<p>54. Harness-SMPS (JC39-00748A)</p>
		
<p>55. Harness-FUSER_CRUM (JC39-00749A)</p>	<p>56. Harness-COVER OPEN UP (JC39-00750A)</p>	<p>57. Harness-COVER OPEN DN (JC39-00751A)</p>
		
<p>58. Harness-SATA_POWER (JC39-00753A)</p>	<p>59. Harness-SATA_SIGNAL (JC39-00754A)</p>	<p>60. Harness-SENS_WTB (JC39-00763A)</p>

Harness summary

		
<p>61. Harness-HVPS_OPE_KEY (JC39-00764A)</p>	<p>62. Harness-OPE_KEY_SUB (JC39-00765A)</p>	<p>63. Harness-SCAN_IF (JC39-00781A)</p>
		
<p>64. Harness-OPE_USB (JC39-00786A)</p>	<p>65. Harness-OPE_MAIN (JC39-00787A)</p>	<p>66. Harness-LIMITY_EMPTY (JC39-00791A)</p>
		
<p>67. Harness-NEAR_SEN (JC39-00793A)</p>	<p>68. Harness-APS_SEN (JC39-00796A)</p>	<p>69. Harness-FUSER_AC (JC39-00798A)</p>
		
<p>70. Harness-SCAN_SEN (JC39-00811A)</p>		

Harness connection table

No	Part Code	Description	Connection		Length
1	JC39-00091A	CBF HARNESS-SCF GND	GND_FUSER	BRACKET_SCAN	175mm
2	JC39-00114A	CBF HARNESS-BRUSH GND	COVER_TOP_ITB	COVER_TOP_ITB	300mm
3	JC39-00322A	CBF HARNESS-SCAN GND	BRACKET_MOTOR_PLATE	BRACKET_BOARD	250mm
4	JC39-00496A	CBF HARNESS-LSU_GND			100mm
5	JC39-00508A	CBF HARNESS-GND2			350mm
6	JC39-00509A	CBF HARNESS-GND ZENER	FRAME_BASE_ITB	FRAME_CLEANING_ITB	125mm
7	JC39-00688A	HARNESS-BLDC BK	ENGINE B'd(13P,CN26)	SENS_OPC_BK_HOME (3 P) BLDC_BK(10 P)	175mm/ 175mm
8	JC39-00689A	HARNESS-BLDC DEV	ENGINE B'd(14P,CN28)	SENS_OPC_CLR_HOME (3P) BLDC_CLR(10P)	175mm/ 225mm
9	JC39-00690A	HARNESS-BLDC OPC	ENGINE B'd(12P,CN24)	BLDC_OPC(10P) MOT_T1 (2P)	375mm/ 250mm
10	JC39-00691A	HARNESS-BLDC_ITB&T2	ENGINE B'd(15P,CN16)	MOT_T2_ENGAGE(2P) SENS_T2_ENGAGE BLDC_ITB (10P)	200/300/ 225mm
11	JC39-01236A	HARNESS HVPS SMALL	ENGINE B'd(14P,CN40)	S-HVPS B'D(14P)	550mm
12	JC39-00693A	HARNESS-MOT_STEP	ENGINE B'd(8P,CN4)	MOT_EXIT(4P) MOT_DUPLEX(4P)	275mm 175mm
13	JC39-00694A	HARNESS-SENS_WTB_EXT	L_HVPS B'd(4P,CN4)	JC39-00763A	575mm

No	Part Code	Description	Connection		Length
14	JC39-01213A	HARNESS-ACR	ENGINE B'd (17P,CN15)	SENS_IN_TEMP SENS_ACR1(Front)(5P) SENS_ACR2(Rear)(5P) SENS_CTD(Center)(5P)	225/525/ 500 mm
15	JC39-00696A	HARNESS-HUMIDITY	SENS_HUMIDITY(4P)	JC39-00707A(4P)	100mm
16	JC39-00698A	HARNESS-CRUM	ENGINE B'd (4P,CN101)	ITB_CRUM_IF B'd (4P)	275mm
17	JC39-00699A	HARNESS-FUSER_BIAS	Ground_Fuser_HV(1P)	S_HVPS B'd (2P)	700mm
18	JC39-00700A	HARNESS-DEVE CRUM	ENGINE B'd(18P,CN77)	DEVE_CRUM_IF B'd(18P)	500mm
19	JC39-00701A	HARNESS-LSU CLEAN MOT/SENS	ENGINE B'd (10P,CN39)	MOT_LSU_CLN(2P) SENS_LSU_CLN(3P) MOT_WASTE(2P) SENS_WASTE_MOT(3P)	1075/ 1000mm
20	JC39-00702A	HARNESS-MP SPK	ENGINE B'd(9P,CN38)	JC39-00791A(3P) JC39-00715A(4P) SPEAKER(2P)	350/350/ 300mm
21	JC39-00703A	HARNESS-SENS EXIT	ENGINE B'd(3P,CN6)	SENX_EXIT(3P)	700mm
22	JC39-00704A	HARNESS-EXIT	ENGINE B'd(5P,CN1)	SENS_BINFULL(3P) SOL_GATE(2P)	275/ 500mm
23	JC39-00705A	HARNESS-REGI	ENGINE B'd(6P,CN30)	SENS_DUPLEX_READY(3P) JC39-00709A(3P)	975/ 250mm
24	JC39-00706A	HARNESS-SENS FEED	ENGINE B'd(3P,CN31)	SENS_REGI(3P)	925mm

Harness connection table

No	Part Code	Description	Connection	Length	
25	JC39-00707A	HARNESS-FAN&FUSER&HVPS	ENGINE B'd(12P,CN33)	L_HVPS B'd(12P)	
			ENGINE B'd(15P,CN25)	L_HVPS B'd(15P)	
			ENGINE B'd(13P,CN27)	FAN_SMPS(3P)	
				FDB B'D(6P)	
			JC39-00696A(4P)		
26	JC39-00708A	HARNESS-BASE DUPL CLT	ENGINE B'd(6P,CN29)	CLT-REGI	175mm
				CLT_FEED	300mm
				CLT_PICKUP	425mm
			ENGINE B'd(11P,CN32)	SCF	725mm
			ENGINE B'd(30P,CN8)	JC39-00720A	700mm
				JC39-00719A	875mm
				JC39-00793A	750mm
				JC39-00709A	675mm
27	JC39-00709A	HARNESS-DUPLEX	JC39-00707A (11P)	CLT_DUPLEX	325mm
				FAN_DUPLEX1	925mm
				FAN_DUPLEX2	750mm
				SENS_DUPLEX	1075mm
			JC39-00705A(3P)	SENS_FCF_REGI	925mm
28	JC39-00710A	HARNESS-SENS T1 ENGA	ENGINE B'd (3P,CN 35)	SENS_T1_ENGAGE	175mm
29	JC39-00711A	HARNESS-BLDC FUSER	ENGINE B'd(10P,CN 5)	BLDC_FUSER(10P)	175mm
30	JC39-00712A	HARNESS-TB_MT	ENGINE B'd(12P,CN 102)	TB-CRUM_IF B'd(12P)	400mm
31	JC39-00713A	HARNESS-HVPS_GND	FRAME_MAIN_LOWER	HVPS_LARGE	50mm
				BASE_PLATE	175mm
32	JC39-00714A	HARNESS-HVPS_SAW	HOUSING_TERMINAL	S_HVPS B'd (CN3)	
33	JC39-00715A	HARNESS-MP_CLT	JC39-00702A(4P)	CLT_MP(pick up),3P	75mm
				CLT_MP(Feed),2P	150mm

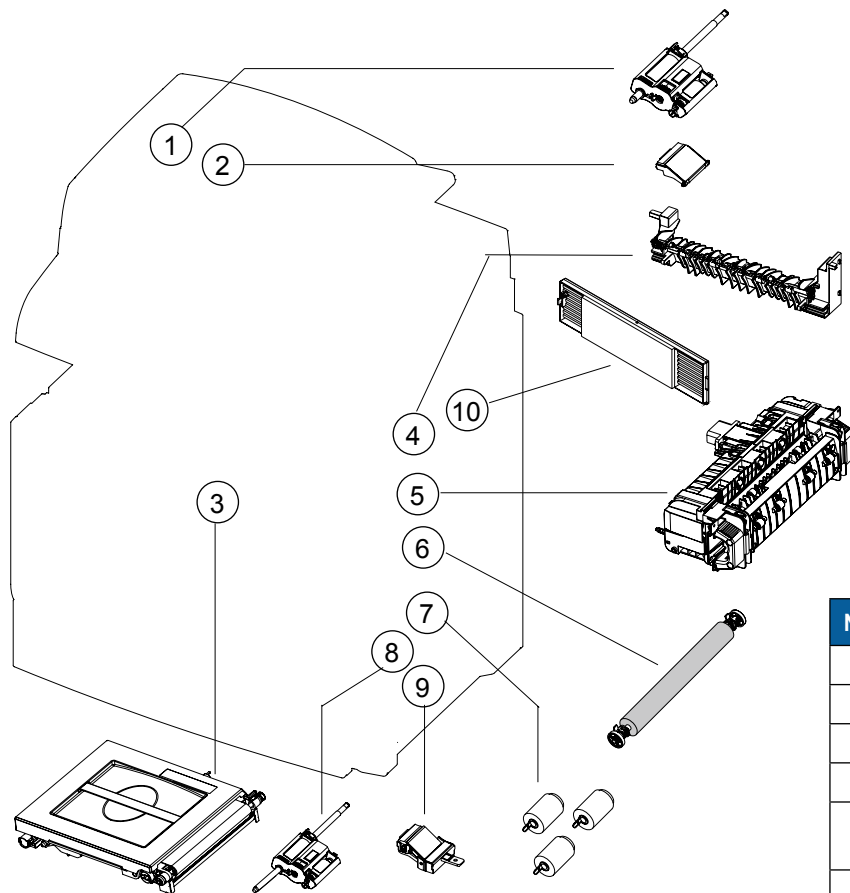
No	Part Code	Description	Connection	Length	
34	JC39-00718A	HARNESS-HVPS_CHAR_CK	L-HVPS B'd(CN6)		
35	JC39-00719A	HARNESS-SCF EMPTY	JC36-00708A(8P)	SENS_LIMIT(3P)	200mm
				SENS_EMPTY(3P)	275mm
				ELEVATOR MOTOR	
36	JC39-00720A	HARNESS-TRAY SIZE	JC36-00708A(7P)	SENS_TRAY SET(3P)	
				SENS_PAPER SIZE(4P)	
37	JC39-00721A	HARNESS-SCF_CLT	SCF B'd(2P)	CLT_SCF	
38	JC39-00723A	HARNESS-SCAN MT	MOT_SCAN(6P)	SCAN_IF B'd(4P,CN1)	
39	JC39-00724A	HARNESS-WB-MT	MOT_WB(2P)	JC39-00701A	
40	JC39-00725A	HARNESS-FINISHER	ENGINE B'd (15P, CN37)	FINISHER_IF B'd(15P)	
41	JC39-00726A	HARNESS-HVPS FAN	L-HVPS B'd(3P,CN3)	FAN_HVPS	
42	JC39-00727A	HARNESS-ERASER			
43	JC39-00728A	HARNESS-DEVE TC&CRUM	DEVE_CRUM_IF B'd(8P)	CRUM B'd T/C SENS	
44	JC39-00730A	HARNESS-LSU&P_MT	ENGINE B'd(32P, CN34)	ENGINE B'd(2P, CN100)	SENS_LSU_TEMP
				ENGINE B'd(10P,CN21)	LSU
				ENGINE B'd(34P,CN34)	LSU
45	JC39-00731A	HARNESS-WB_MT_SENS		WB_MT_SENS PBA	125mm
46	JC39-00732A	HARNESS-MESH_GND	BRACKET_MAIN_DRIVE_PR	GROUND_OPE_REAR	350mm

Harness connection table

No	Part Code	Description	Connection		Length
47	JC39-00739A	HARNESS-POWER SW		FDB B'd Bracket_Inlet	275/ 100mm
48	JC39-00742A	HARNESS-HVPS_T2	HOUSING_TERMINAL	L-HVPS B'd	775mm
49	JC39-00743A	HARNESS-HVPS MAG	S-HVPS B'd(7P,CN2)		400/475/ 550mm
50	JC39-00744A	HARNESS-HVPS T1	L-HVPS B'd(8P,CN8)		450/475/ 500mm
51	JC39-00745A	HARNESS-HVPS_CHAR_YM			
52	JC39-00746A	HARNESS-FUSER FR	JC39-00747A	FDB B'd	
			SENS_DETECT_COVER_EXIT	ENGINE B'D (CN3)	
53	JC39-00747A	HARNESS-FUSER FU	JC39-00746A	THERMOSTAT	
54	JC39-00748A	HARNESS-SMPS	ENGINE B'd(8P,CN23)	SMPS B'd	325mm
			ENGINE B'd(6P,CN17)	SMPS B'd	450mm
			ENGINE B'd(6P,CN20)	SMPS B'd	575mm
55	JC39-00749A	HARNESS-FUSER_CRUM	JC39-00749A(4P)	FUSER_CRUM B'd(3P)	125mm
56	JC39-00750A	HARNESS-COVER OPEN UP	ENGINE B'd(3P,CN7)		275mm
57	JC39-00751A	HARNESS-COVER OPEN DN	ENGINE B'd(5P,CN18)		1150mm
58	JC39-00753A	HARNESS-SATA_POWER	VIDEO B'd(2P,CN3)	SATA HDD	
59	JC39-00754A	HARNESS-SATA_SIGNAL	VIDEO B'd(7P,CN5)	SATA HDD	
60	JC39-00763A	HARNESS-SENS_WTB	JC39-00694A	SENS_WTB_RX PBA	150/ 100mm
				SENS_WTB_TX PBA	

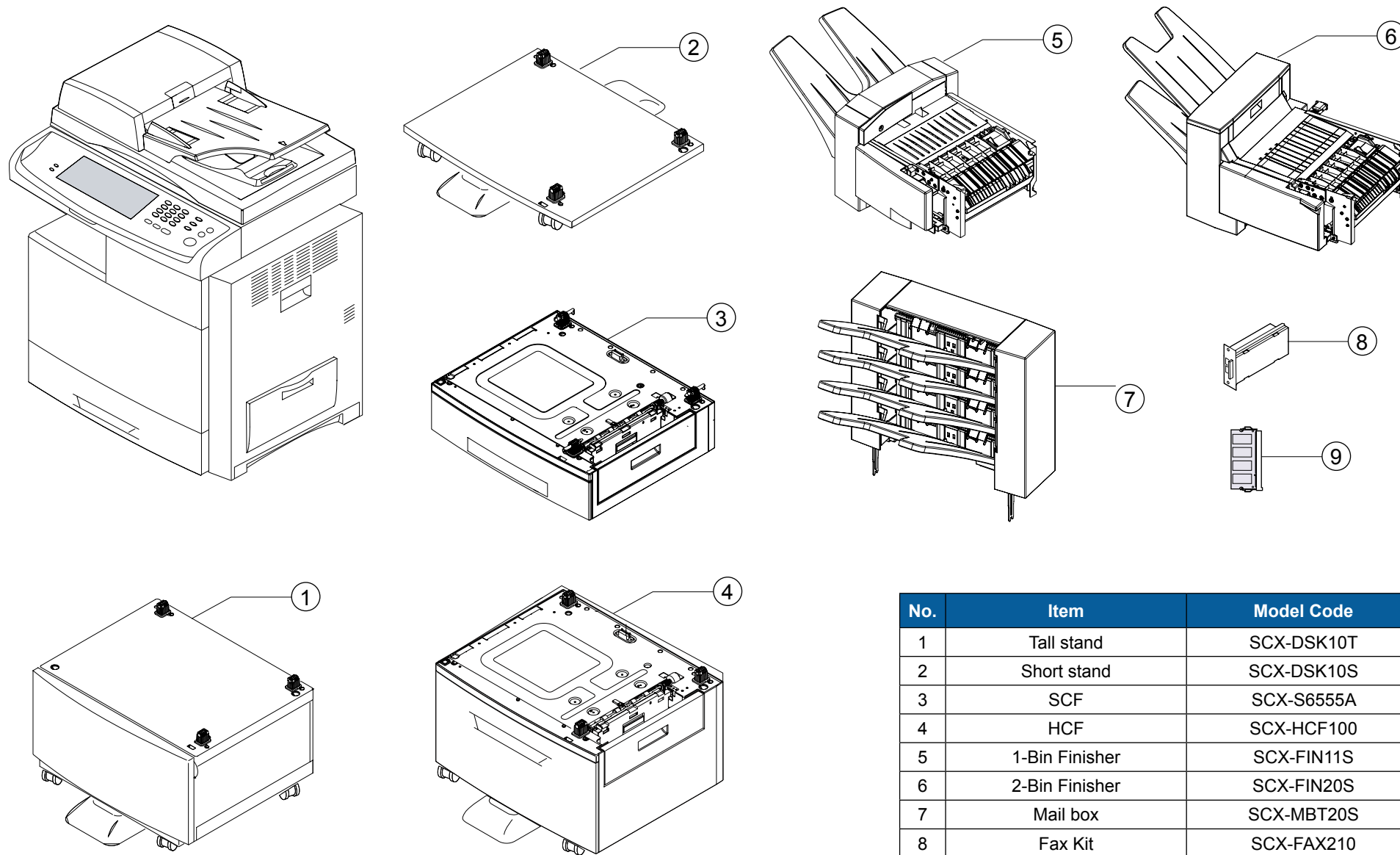
No	Part Code	Description	Connection		Length
61	JC39-00764A	HARNESS-OPE_KEY	OPE_MAIN B'd(17P)	OPE_KEY B'd(17P)	125mm
62	JC39-00765A	HARNESS-OPE_KEY_SUB	OPE_MAIN B'd(11P)	OPE_KEY B'd(11P)	75mm
63	JC39-00781A	HARNESS-SCAN_IF	Video B'd(30P, CN6)	SCAN_IF B'd(30P, CN7)	125mm
64	JC39-00786A	HARNESS-OPE_USB	Video B'd(3P, CN4)	OPE MAIN B'd(4P)	725mm
65	JC39-00787A	HARNESS-OPE_MAIN	Video B'd(10P, CN2)	OPE MAIN B'd	725mm
66	JC39-00791A	HARNESS-LIMITY_EMPTY	JC39-00702A(3P)	SENS_MP	550mm
67	JC39-00793A	HARNESS-NEAR_SEN	Xe_Lamp_Inverter B'd	SCAN_IF B'd(CN2)	
			JC39-00708A(3P)	SENS_NEAR	
68	JC39-00796A	HARNESS-APS_SEN	APS_SEN B'd(6P)	SENS_APS	100mm
				SENS_APS	50mm
69	JC39-00798A	HARNESS-FUSER_AC	SMPS B'd(2P)	FDB B'd(2P)	150mm
70	JC39-00811A	HARNESS-SCAN_SEN	SCAN_IF B'd(6P,CN4)	SENS_COVER_OPEN(3P)	175mm
				SENS_CCD_HOME(3P)	300mm

Maintenance parts



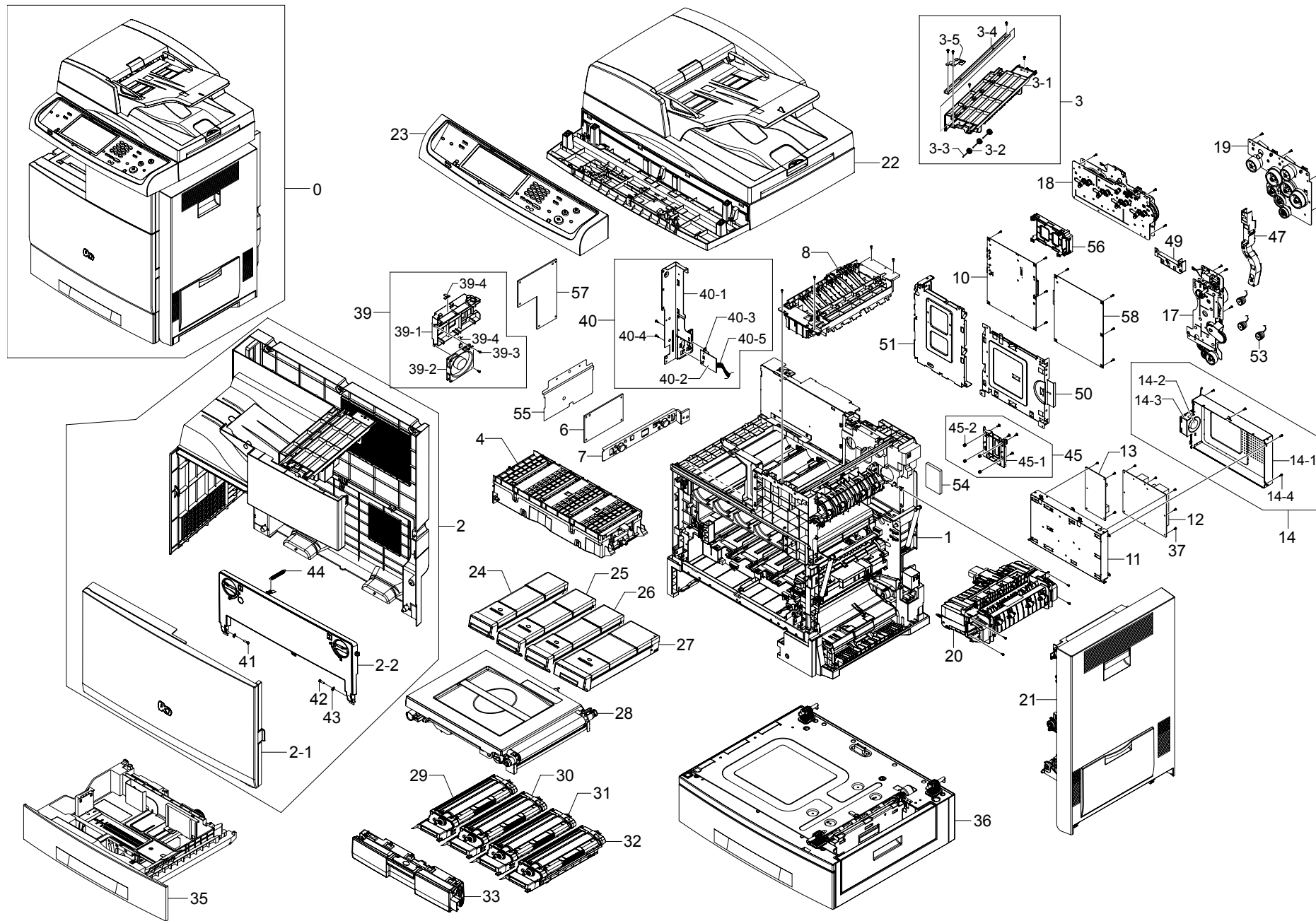
No.	Part code	Description	Life	Page
1	JC97-03099A	MEA-PICK UP	200K	37. Cover Open_DADF - No.22
2	JC97-03097A	MEA-HOLDER ADF RUBBER	50K	40. Guide Pick Up_DADF -No.2
3	JC96-04601A	CARTRIDGE-TRANSFER	100K	1. Main - No.28
4	JC97-03269A	MEA UNIT-EXIT DUPLEX	100K	4. Side Duplex - No. 34
5	JC96-04867A(110V) JC96-04868A(220V)	ELA UNIT-FUSER LV ELA UNIT-FUSER HV	100K	1. Main - No.20 25. Fuser Unit
6	JC97-02934A	MEA UNIT-TR	100K	4. Side Duplex - No. 49
7	JC97-02259A	MEA UNIT-ROLLER PU	100K	10. Pick up Assy - No.12
8	JC96-03533A	ELA HOU-MP PICK UP	200K	9. MP Unit - No.3
9	JC97-02260A	MEA UNIT-HOLDER PAD	50K	8. Frame Base - No.4
10	JC90-00956A	DUPLEX -COVER FILTER	100K	4. Side Duplex- No.35

Option unit



No.	Item	Model Code
1	Tall stand	SCX-DSK10T
2	Short stand	SCX-DSK10S
3	SCF	SCX-S6555A
4	HCF	SCX-HCF100
5	1-Bin Finisher	SCX-FIN11S
6	2-Bin Finisher	SCX-FIN20S
7	Mail box	SCX-MBT20S
8	Fax Kit	SCX-FAX210
9	Memory(512M)	CLX-MEM103

1. Main



Main parts list

SA : SERVICE AVAILABLE, SNA : SERVICE not AVAILABLE

Drawer#	SEC_Code	Description	QT'y	Service	Grade	Remark
0	CLX-8380ND	SET	1	-	-	
1	JC95-01121A	FRAME	1	SNA	A	
2	JC93-00095A	COVER	1	SNA	A	
2-1	JC97-03449A	MEA UNIT-COVER FRONT	1	SA	A	
2-2	JC97-03450A	MEA UNIT-FRONT-OPC	1	SA	A	
3	JC97-02274B	MEA UNIT-COVER UPPER	1	SA	A	
3-1	JC63-00734B	COVER-M_EXIT UPPER	1	SNA	D	
3-2	JC66-01019A	ROLLER-EXIT_DP IDLE	3	SA	D	
3-3	JC70-00064A	IPR-PIN ROLLER EXIT	3	SNA	A	
3-4	JC61-01353A	BRACKET-P_CHANNEL	1	SNA	D	
3-5	JC63-00740A	GROUND-P_OPE	1	SNA	D	
4	JC96-04520A	ELA UNIT-LSU	1	SA	A	
6	JC44-00181A	HVPS	1	SA	D	
7	JC96-04547A	ELA UNIT-PUSHER LSU	1	SA	A	
8	JC96-04748A	ELA HOU-EXIT	1	SA	A	
10	JC98-01140A	BOARD-MAIN	1	SNA	A	
10-1	JC92-02196A	PBA SUB RAM DIMM	1	SA	A	
10-2	JC92-02192A	PBA MAIN-VIDEO	1	SA	A	
11	JC63-01403A	SHIELD-SMPS	1	SNA	D	
12	JC44-00149A	SMPS-V1	1	SA	D	110V
12	JC44-00150A	SMPS-V2C	1	SA	D	220V
13	JC44-00144A	FDB-MULTI_TRIAC V1	1	SA	B	110V
13	JC44-00145A	FDB-MULTI_TRIAC V2C	1	SA	B	220V
14	JC96-04749A	ELA UNIT-SMPS_UPPER	1	SNA	A	
14-1	JC63-01404A	SHIELD-SMPS_UPPER	1	SA	D	
14-2	JC31-00086A	FAN-DC INVERTER	1	SA	B	
14-3	JC63-01360A	COVER-FAN SMPS	1	SA	D	
14-4	6003-000269	SCREW-TAPTITE	2	SA	B	
17	JC93-00099A	DRIVE MAIN	1	SA	A	
18	JC93-00098A	DRIVE-DEVE	1	SA	A	

Drawer#	SEC_Code	Description	QT'y	Service	Grade	Remark
19	JC96-04568A	ELA UNIT-DRIVE FUSER	1	SA	A	
20	JC96-04867A	ELA UNIT-FUSER LV	1	SA	A	110V
20	JC96-04868A	ELA UNIT-FUSER HV	1	SA	A	220V
21	JC90-00957A	DUPLEX	1	SA	A	
22	JC96-04550A	ELA UNIT-SCANNER	1	SA	A	
23	JC96-04666A	ELA HOU-OPE	1	SA	A	
24	JC96-04635A	ELA UNIT-TONER Y	1	SNA	A	
25	JC96-05700A	CARTRIDGE-TONER M KIT	1	SNA	A	
26	JC96-04637A	ELA UNIT-TONER C	1	SNA	A	
27	JC96-05699A	CARTRIDGE-TONER K KIT	1	SNA	A	
28	JC96-04601A	CARTRIDGE-TRANSFER	1	SA	A	
29	JC96-05638A	CARTRIDGE-DRUM Y KIT	1	SNA	A	
30	JC96-05641A	CARTRIDGE-DRUM M KIT	1	SNA	A	
31	JC96-05640A	CARTRIDGE-DRUM C KIT	1	SNA	A	
32	JC96-05639A	CARTRIDGE-DRUM K KIT	1	SNA	A	
35	JC97-02273B	MEA UNIT CASSETTE	1	SA	A	
36	JC96-03530B	ELA HOU SCF	1	SNA	A	
37	6003-000269	SCREW-TAPTITE		SA	B	
38	6003-000196	SCREW-TAPTITE		SA	B	
39	JC96-05203A	ELA UNIT-HOLDER_HVPS	1	SA	A	
39-1	JC61-02515A	HOLDER-HVPS	1	SNA	D	
39-2	JC31-00088A	FAN-DC	1	SA	B	
39-3	6003-000196	SCREW-TAPTITE	2	SA	B	
39-4	JC39-00726A	HARNESS-HVPS FAN	1	SNA	D	
39-5	6502-000121	CABLE-CLAMP	1	SNA	E	
40	JC96-05204A	ELA UNIT-SUPPORT REAR	1	SA	A	
40-1	JC61-02058A	BRACKET-SUPPORT REAR	1	SA	D	
40-2	JC92-01885A	PBA SUB-FINISHER IF	1	SA	A	
40-3	JC61-02151A	BRACKET-ADITRON	1	SNA	D	
40-4	6003-000269	SCREW-TAPTITE	2	SA	B	

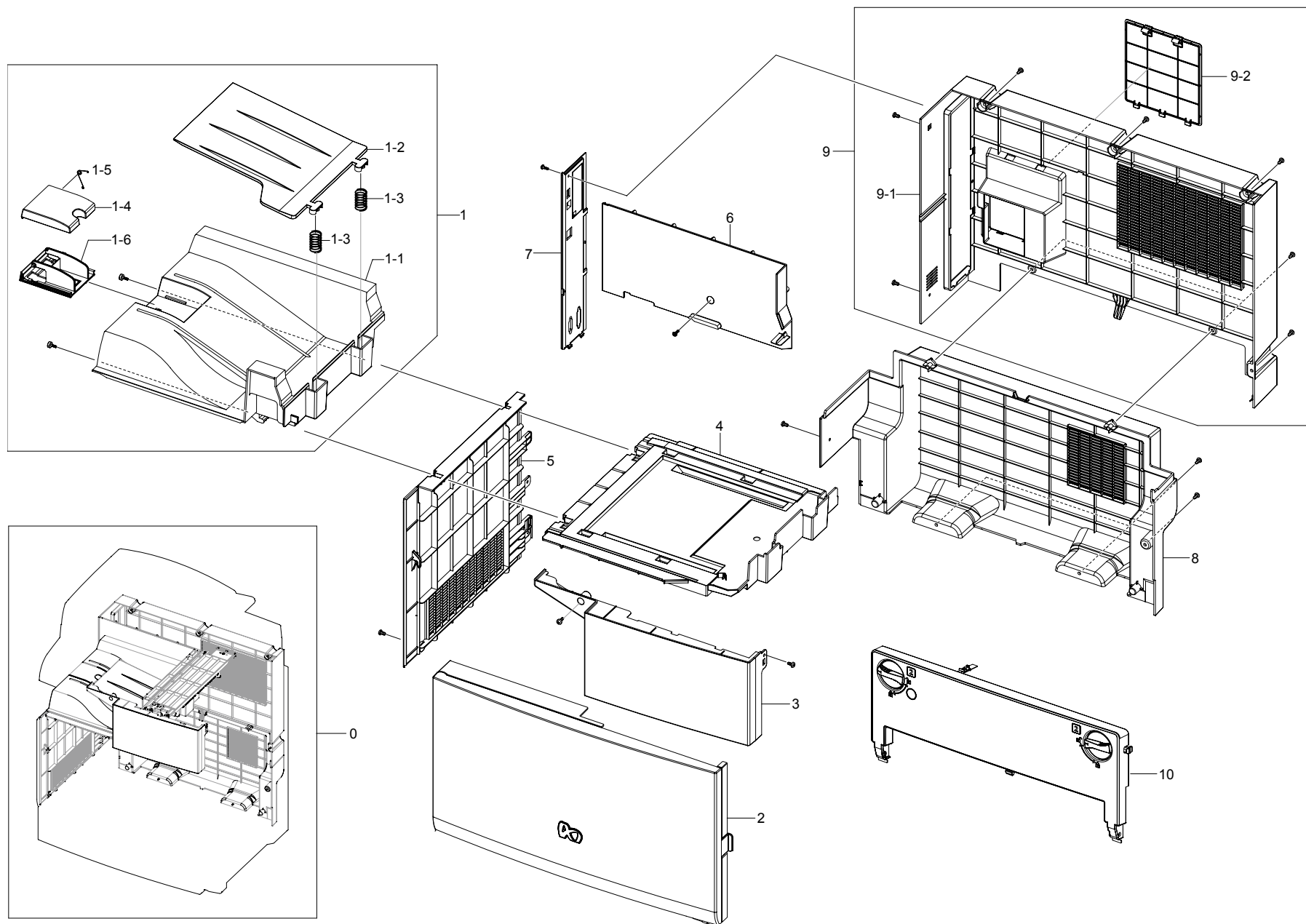
Main parts list

SA : SERVICE AVAILABLE, SNA : SERVICE not AVAILABLE

Drawer#	SEC_Code	Description	QT'y	Service	Grade	Remark
40-5	JC39-00725A	HARNESS-FINISHER	1	SNA	D	
41	JC66-01795A	SHAFT-OPC HINGE L	1	SNA	D	
42	JC66-01993A	SHAFT-OPC HINGE R	1	SNA	D	
43	JC61-01367A	FIXER-M_E RING 4PI	2	SA	A	
44	6107-001355	SPRING-ES	1	SNA	D	
45	JC97-02276A	MEA UNIT-HOLDER HDD	1	SA	B	
45-1	JC61-01389A	HOLDER-M_HDD	1	SNA	A	
45-2	JC73-00215A	RUBBER-DAMPER HDD	4	SA	D	
47	JC61-02033A	HOLDER-HARNESS	1	SNA	D	

Drawer#	SEC_Code	Description	QT'y	Service	Grade	Remark
49	JC61-02094A	GUIDE-RAIL MAIN	1	SA	D	
50	JC63-01401A	SHIELD-ENGINE	1	SNA	D	
51	JC63-01402A	SHIELD-MAIN	1	SNA	D	
53	JC66-00994B	CLUTCH-5K Z32	3	SA	B	
54	JC59-00030A	HDD	1	SA	A	
55	JC63-01988A	SHEET-HVPS SMALL	1	SNA	D	
56	JC61-01406A	HOLDER-M_LIU	1	SA	A	
57	JC44-00141A	HVPS	1	SA	D	
58	JC92-02195A	PBA MAIN-ENGINE	1	SA	A	

2. Cover unit



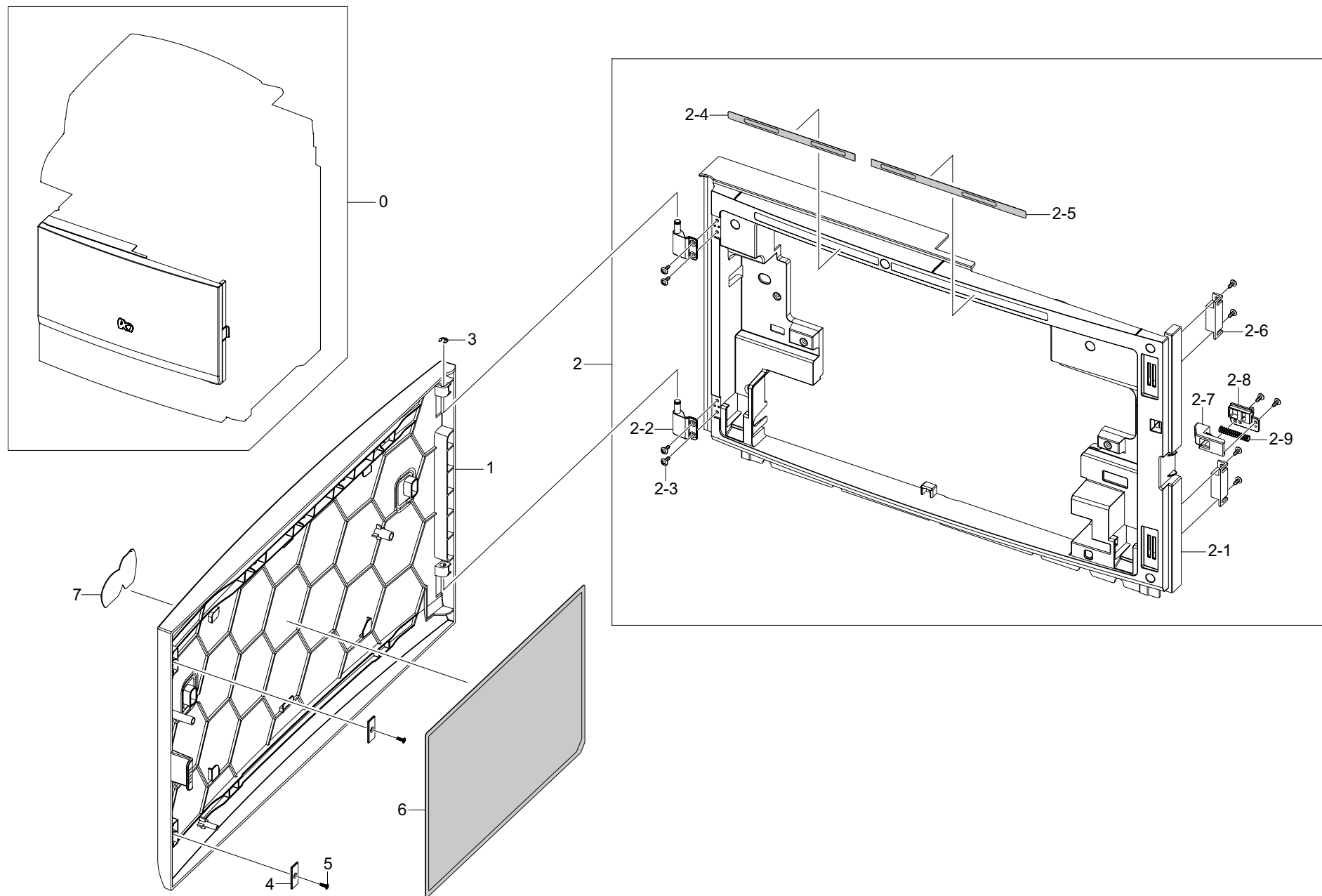
Cover unit parts list

SA : SERVICE AVAILABLE, SNA : SERVICE not AVAILABLE

Drawer#	SEC_Code	Description	QT'y	Service	Grade	Remark
0	JC95-01121A	COVER	1	SNA	A	
1	JC97-02258B	MEA UNIT-COVER TOP	1	SA	A	
1-1	JC63-00736B	COVER-EXIT TOP	1	SNA	A	
1-2	JC63-00739B	COVER-GUIDE STACKER	1	SNA	D	
1-3	6107-000117	SPRING-CS	2	SA	A	
1-4	JC63-00738B	COVER-EXIT STACKER	1	SNA	D	
1-5	6107-001264	SPRING-TS	1	SNA	A	
1-6	JC63-00737B	COVER-EXIT ST LOWER	1	SNA	D	
2	JC97-03449A	MEA UNIT-COVER FRONT		SA	A	
3	JC63-01457B	COVER-M_DUMMY FRONT	1	SA	D	

Drawer#	SEC_Code	Description	QT'y	Service	Grade	Remark
4	JC63-01451A	COVER-M_EXIT BOTTOM	1	SA	D	
5	JC63-01454A	COVER-M_SIDE LEFT	1	SA	D	
6	JC63-01452A	COVER-M_EXIT REAR	1	SA	D	
7	JC63-01453A	COVER-M_PANEL MFP	1	SA	D	
8	JC63-01458A	COVER-M_MAIN REAR Lower	1	SA	D	
9	JC97-02989A	MEA UNIT-COVER REAR	1	SA	A	
9-1	JC63-00192C	COVER-M-MAIN REAR DUMMY	1	SA	D	
9-2	JC63-01450A	COVER-MAIN REAR UPPER	1	SNA	D	
10	JC97-03450A	MEA UNIT-FRONT OPC	1	SA	A	

3. Cover front unit



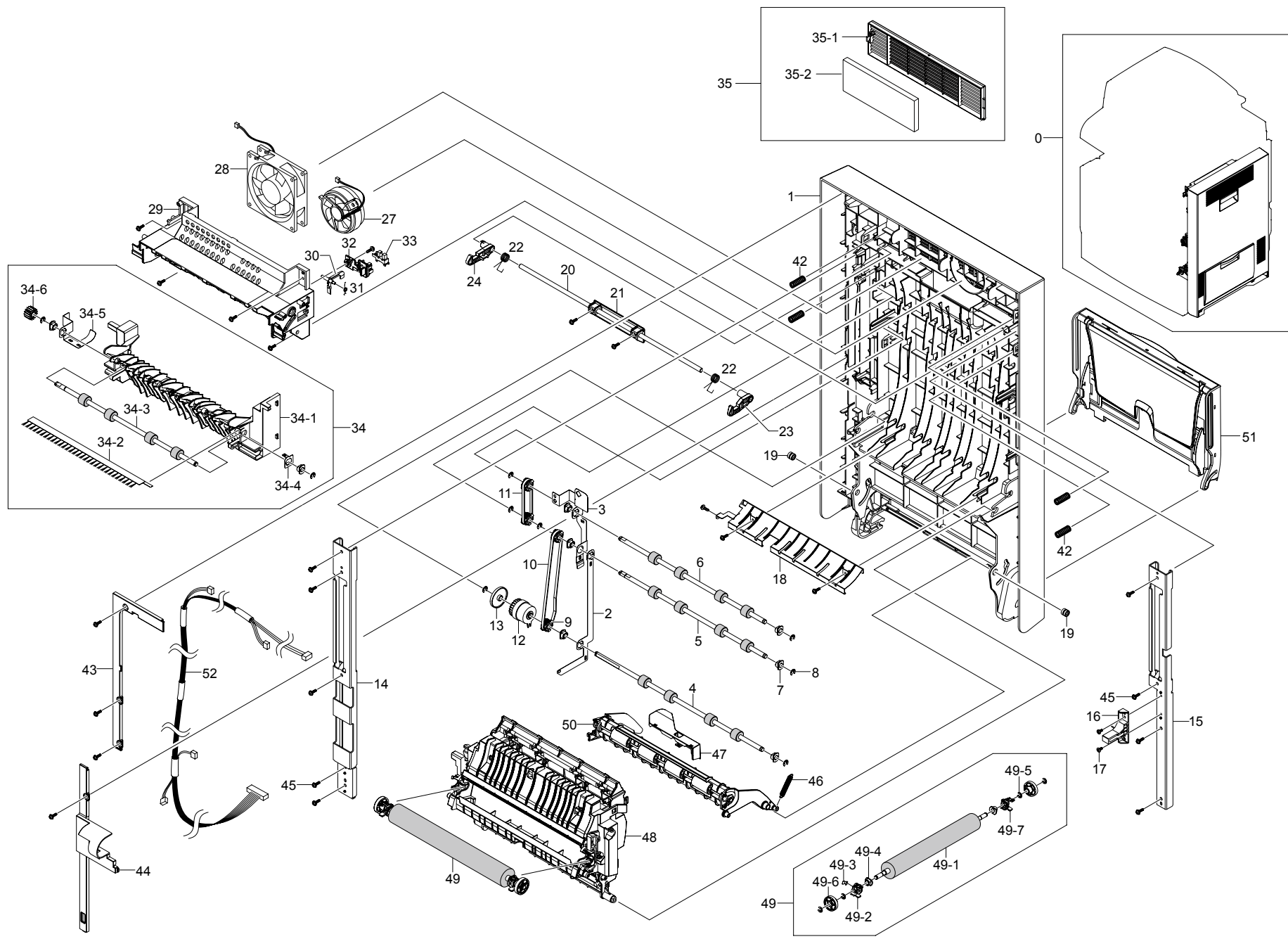
Cover front unit parts list

SA : SERVICE AVAILABLE, SNA : SERVICE not AVAILABLE

Drawer#	SEC_Code	Description	QT'y	Service	Grade	Remark
0	JC97-03449A	MEA UNIT-COVER FRONT	1	SA	A	
1	JC63-01365A	COVER-FRONT	1	SNA	D	
2	JC97-02946A	MEA UNIT-COVER-INNER	1	SA	A	
2-1	JC63-01379A	COVER-INNER	1	SNA	D	
2-2	JC61-02016A	HOLDER COVER FRONT	2	SNA	D	
2-3	6003-001001	SCREW-TAPTITE	10	SNA	B	
2-4	JC68-01933A	LABEL-INFORMATION	1	SNA	D	
2-5	JC68-01932A	LABEL-INFORMATION	1	SNA	D	
2-6	JC61-00961A	MAGNET-CATCH DELL	2	SNA	A	

Drawer#	SEC_Code	Description	QT'y	Service	Grade	Remark
2-7	JC61-02100A	GUIDE WTB LOCK	1	SNA	D	
2-8	JC61-02092A	HOLDER GUIDE WTB	1	SNA	D	
2-9	6107-001337	SPRING-CS	1	SA	D	
3	6044-000125	RING-E	1	SA	A	
4	JC61-00962A	PLATE MAGNET CATCH	2	SNA	A	
5	6003-001001	SCREW-TAPTITE	2	SNA	B	
6	JC63-01485A	SHEET-INSTRUCTION	1	SNA	D	
7	JC64-00427A	BADGE-COLOR LARGE	1	SNA	D	

4. Side duplex



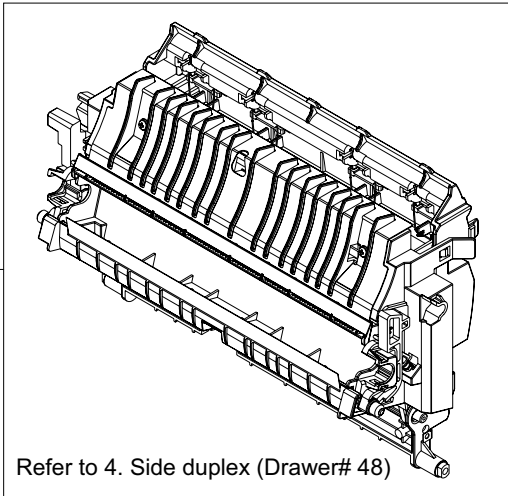
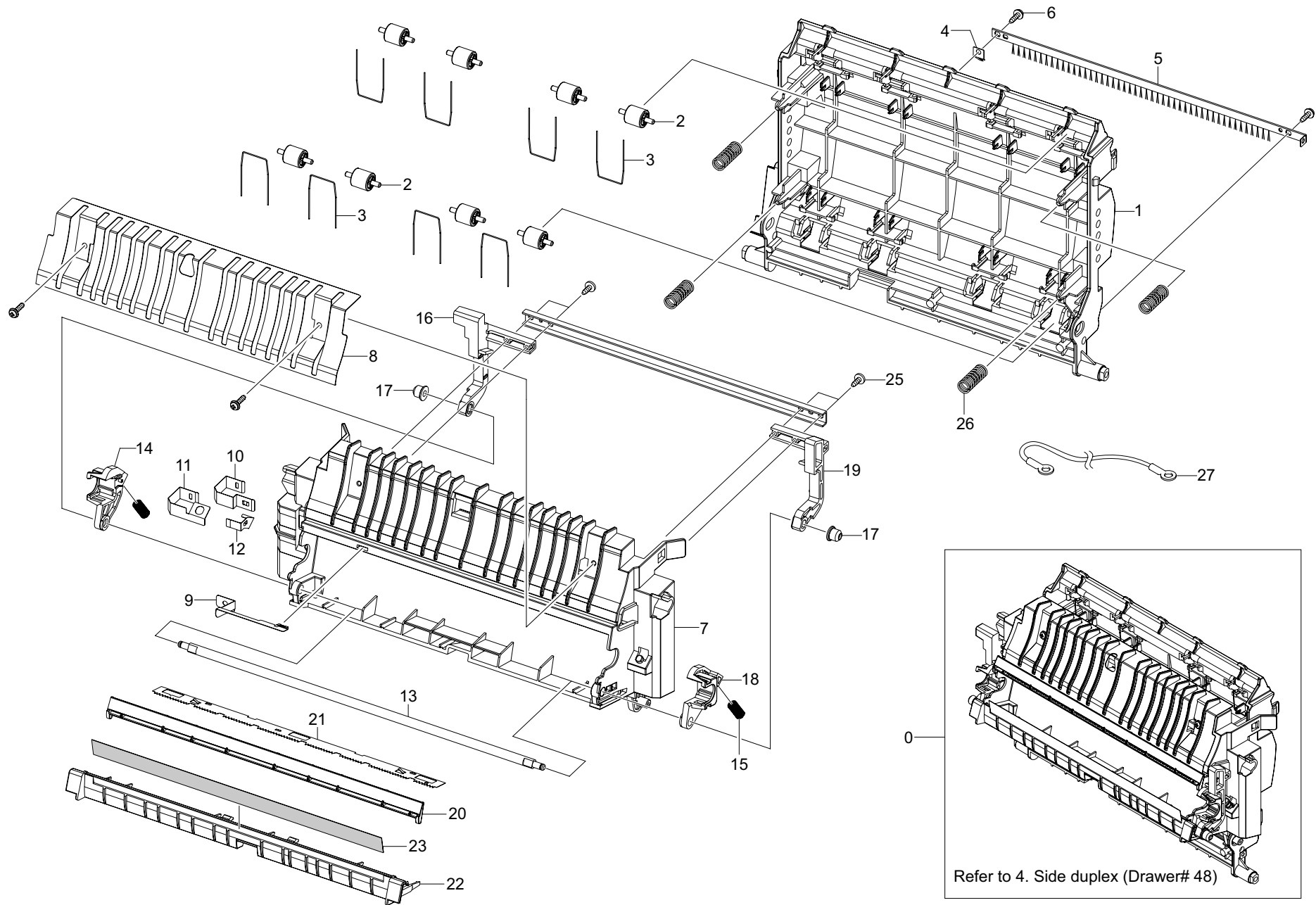
Side duplex parts list

SA : SERVICE AVAILABLE, SNA : SERVICE not AVAILABLE

Drawer#	SEC_Code	Description	QT'y	Service	Grade	Remark
0	JC90-00957A	DUPLEX	1	SA	A	
1	JC63-01376A	COVER-SIDE_L	1	SNA	D	
2	JC63-00784A	GROUND-P-DUPLEX	1	SNA	D	
3	JC63-01409A	GROUND-EXIT DRV ROLLER	1	SNA	D	
4	JC66-00970A	ROLLER-DUPLEX READY	1	SA	A	
5	JC66-01507A	ROLLER-FEED DUPLEX	1	SA	D	
6	JC66-01508A	ROLLER-DUPLEX	1	SA	D	
7	JC61-00423A	BUSH-6_D	8	SA	B	
8	6044-000125	RING-E	9	SA	A	
9	JC66-00971A	PULLEY-M_DUPLEX	4	SA	D	
10	6602-001092	BELT-TIMING GEAR	1	SA	B	
11	6602-001581	BELT-TIMING GEAR	1	SA	D	
12	JC66-01837A	CLUTCH-2.5K Z24	1	SA	A	
13	JC67-00116A	OTHER MECHA-M COLLAR DP	1	SNA	D	
14	JC61-02162A	BRACKET-SIDE R	1	SNA	D	
15	JC61-02161A	BRACKET-SIDE F	1	SNA	D	
16	JC61-02096A	SUPPORT-LEVER FRONT	1	SA	D	
17	6003-000269	SCREW-TAPTITE	2	SA	B	
18	JC61-02077A	GUIDE-DUPLEX SIDE	1	SNA	D	
19	JC73-00215A	RUBBER-DAMPER HDD	2	SA	D	
20	JC66-00935A	SHAFT-HANDLE	1	SNA	D	

Drawer#	SEC_Code	Description	QT'y	Service	Grade	Remark
21	JC64-00205B	HANDLE-SIDE	1	SNA	D	
22	JC61-00479A	SPRING ETC-LOCKER TORSION	2	SA	D	
23	JC64-00198A	LOCKER-M_FRONT	1	SA	A	
24	JC64-00199A	LOCKER-M_REAR	1	SA	A	
27	JC31-00087A	FAN-DC	1	SA	A	
28	JC31-00088A	FAN-DC	1	SA	B	
29	JC61-01289A	GUIDE-M_SIDE	1	SNA	A	
30	JC61-01336A	LEG-M_ACTUATOR DUPLEX	1	SA	A	
31	JC61-00019A	SPRING ETC-ACT, FEED	1	SA	D	
32	JC61-01335A	HOLDER-M_ACTUATOR DP	1	SA	A	
33	0604-001095	PHOTO-INTERRUPTER	1	SA	A	
34	JC97-03269A	MEA UNIT-EXIT DUPLEX	1	SA	A	
34-1	JC61-02075A	GUIDE-EXIT DUPLEX	1	SNA	D	
34-2	JC67-00125A	BRUSH-EXIT	1	SA	D	
34-3	JC66-01014A	ROLLER-EXIT DRV	1	SNA	A	
34-4	JC63-01397A	GROUND-EXIT DUPLEX	1	SNA	D	
35	JC90-00956A	DUPLEX-COVER FILTER	1	SA	A	
35-1	JC63-02488A	COVER-FILTER SIDE	1	SNA	D	
35-2	JC61-02561A	FILTER-SIDE	1	SNA	D	

5. Duplex



Refer to 4. Side duplex (Drawer# 48)

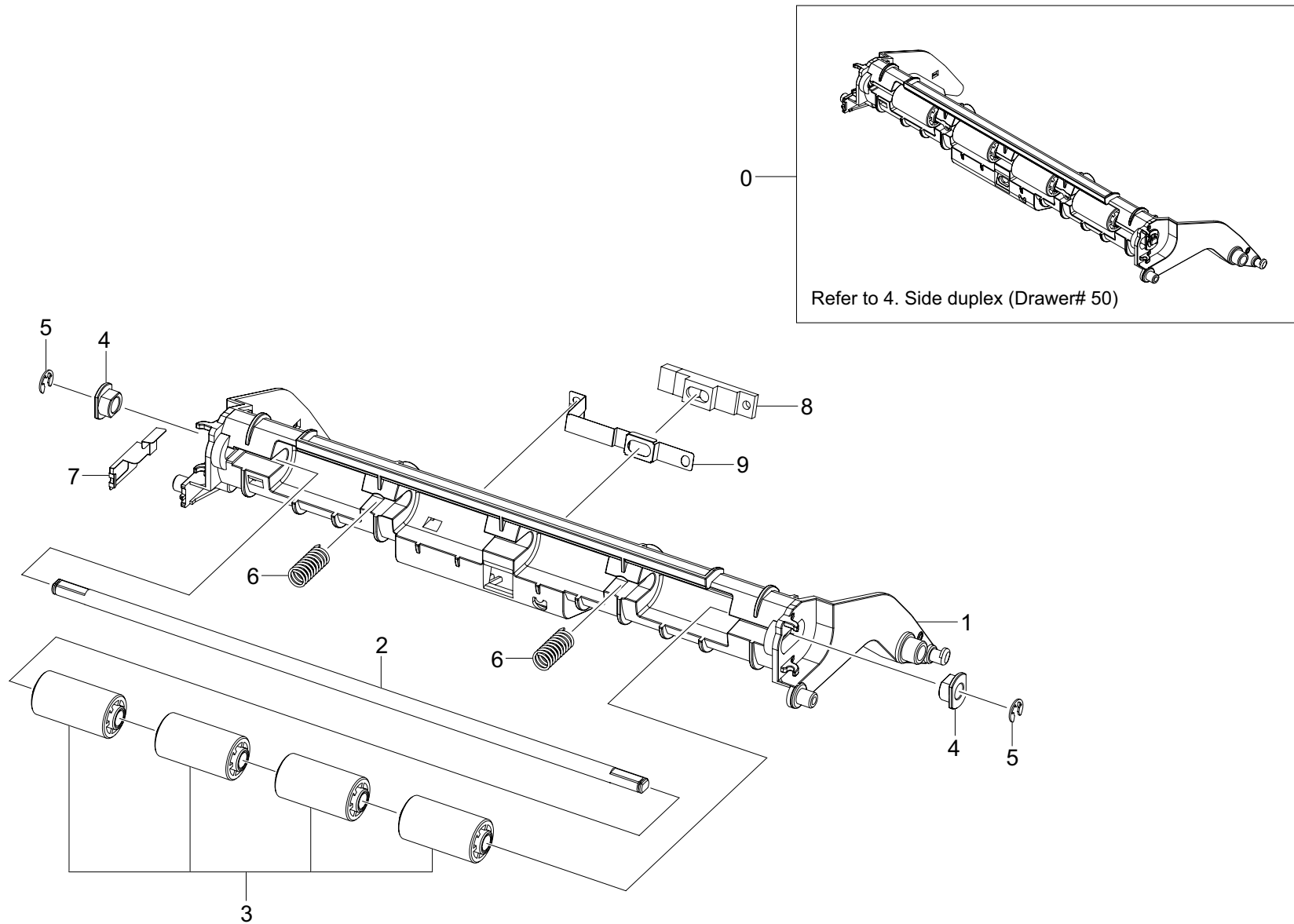
Duplex parts list

SA : SERVICE AVAILABLE, SNA : SERVICE not AVAILABLE

Drawer#	SEC_Code	Description	QT'y	Service	Grade	Remark
0	JC96-04536A	ELA HOU-DUPLEX	1	SA	A	
1	JC61-02046A	GUIDE-DUPLEX	1	SNA	D	
2	JC66-01013A	ROLLER-M IDLE JF	8	SA	A	
3	JC65-00012A	TERMINAL-S_IDLE	8	SA	A	
4	JC63-00785A	GROUND-P-BRUSH	1	SNA	D	
5	JC67-00125A	BRUSH-EXIT	1	SA	D	
6	6003-000196	SCREW-TAPTITE	4	SA	B	
7	JC61-02133A	FRAME-MAIN TR	1	SNA	D	
8	JC61-02047A	GUIDE-TR	1	SNA	D	
9	JC65-00027A	TERMINAL-SAW SUB	1	SNA	D	
10	JC65-00023A	TERMINAL-SAW SUB	1	SNA	D	
11	JC65-00022A	TERMINAL-TR	1	SNA	D	
12	JC61-02044A	PLATE-TERMINAL TR_B	1	SNA	D	
13	JC66-01456A	SHAFT-RELEASE CAM	1	SNA	D	

Drawer#	SEC_Code	Description	QT'y	Service	Grade	Remark
14	JC66-01577A	LEVER-HOLDER TR R	1	SNA	D	
15	6107-001343	SPRING-CS	2	SA	D	
16	JC66-01579A	LEVER-RELEASE R	1	SNA	D	
17	6044-000159	RING-C	2	SA	B	
18	JC66-01576A	LEVER-HOLDER TR F	1	SNA	D	
19	JC66-01578A	LEVER-RELEASE F	1	SNA	D	
20	JC61-02034A	HOLDER-SAW	1	SA	D	
21	JC70-10232D	IPR-E-PLATE SAW(MCK2)	1	SA	D	
22	JC61-02078A	GUIDE-PAPER FRONT TR	1	SNA	D	
23	JC63-01400A	SHEET-GUIDE PAPER FR	1	SA	D	
24	JC66-01546A	SHAFT-LEVER RELEASE	1	SNA	D	
25	6002-000440	SCREW-TAPPING	4	SA	B	
26	6107-001342	SPRING-CS	4	SA	D	
27	JC39-01013A	HARNESS-100M-GND	1	SNA	D	

6. Feed idle



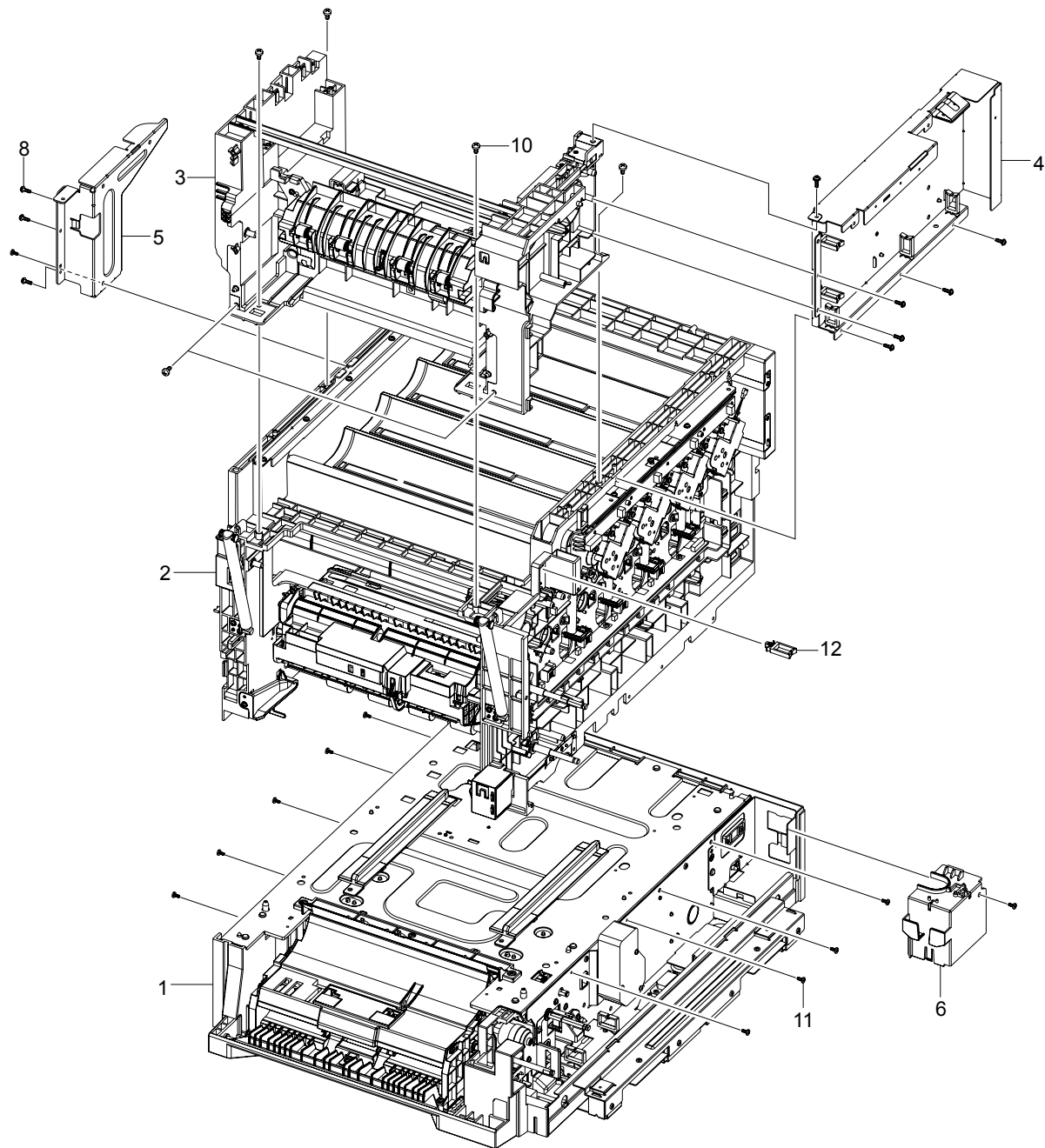
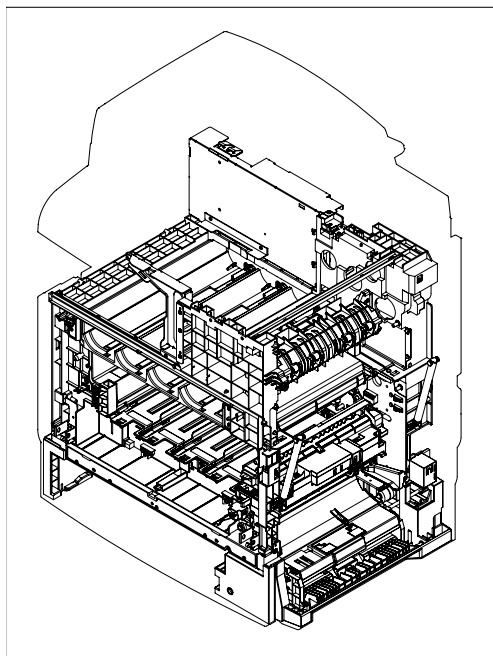
Feed idle parts list

SA : SERVICE AVAILABLE, SNA : SERVICE not AVAILABLE

Drawer#	SEC_Code	Description	QT'y	Service	Grade	Remark
0	JC96-04565A	ELA HOU-FEED IDLE	1	SNA	A	
1	JC61-02083A	FRAME-FEED IDLE	1	SNA	D	
2	JC93-00102A	FRAME-LOWER	1	SA	A	
3	JC66-00892A	ROLLER-M IDLE_FEED2	4	SNA	B	
4	JC61-00423A	BUSH-6_D	2	SA	B	

Drawer#	SEC_Code	Description	QT'y	Service	Grade	Remark
5	6044-000125	RING-E	2	SA	A	
6	6107-001194	SPRING-CS	2	SA	B	
7	JC63-01396A	GROUND-FRAME FEED	1	SNA	D	
8	0604-001230	PHOTO INTERRUPTER	1	SA	A	
9	JC63-02011A	GROUND-SENSOR	1	SNA	A	

7. Frame top



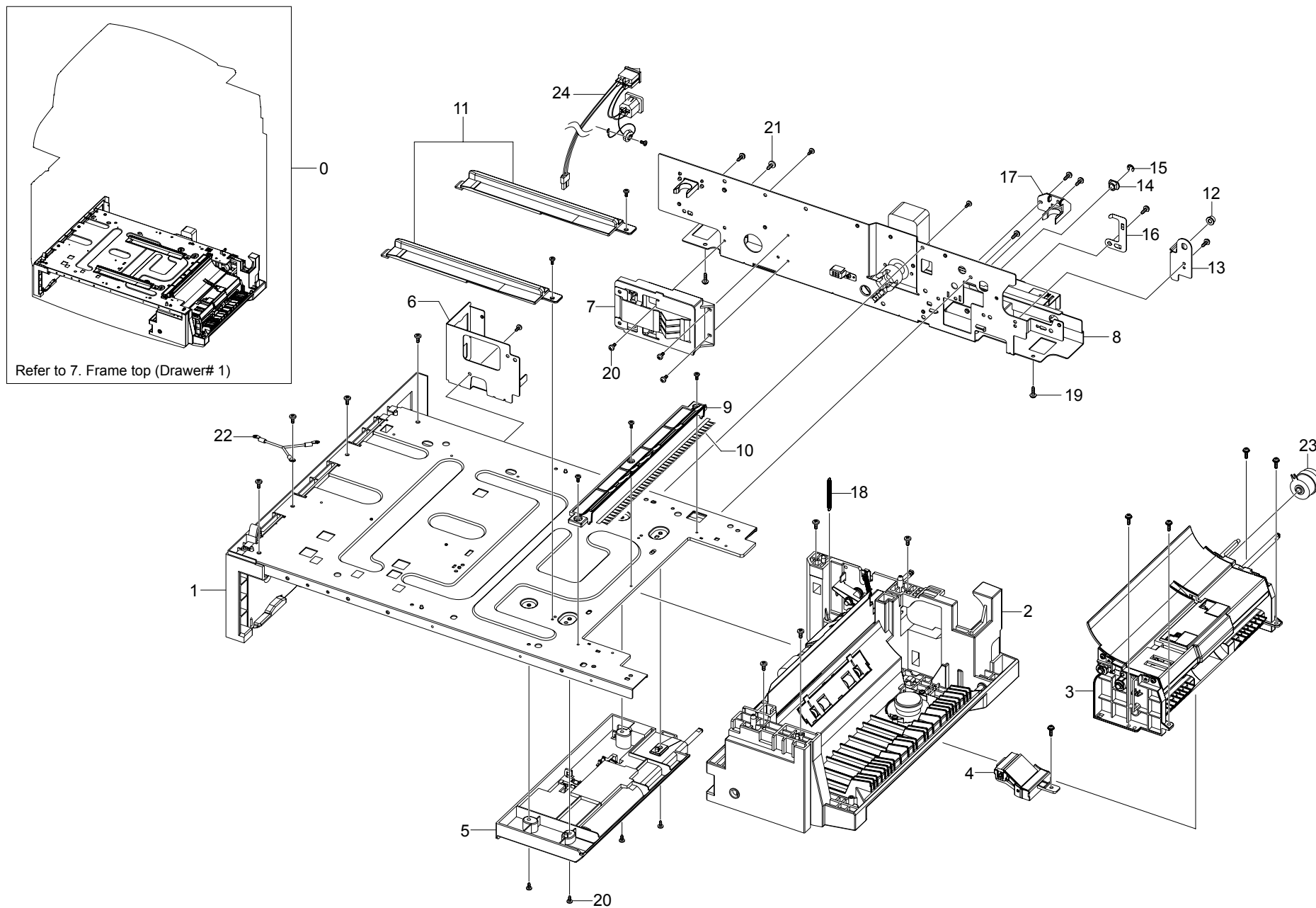
Frame top parts list

SA : SERVICE AVAILABLE, SNA : SERVICE not AVAILABLE

Drawer#	SEC_Code	Description	QT'y	Service	Grade	Remark
0	JC96-04549A	ELA UNIT-FRAME TOP	1	SNA	A	
1	JC96-04556A	ELA UNIT-BASE FRAME	1	SNA	A	
2	JC96-04557A	ELA UNIT-FRAME LOWER	1	SA	A	
3	JC96-04560A	ELA UNIT-FRAME UPPER	1	SA	A	
4	JC96-04571A	ELA UNIT-SUPPORT SCAN	1	SNA	A	
5	JC61-02059A	BRACKET-SCAN SUP F	1	SA	D	

Drawer#	SEC_Code	Description	QT'y	Service	Grade	Remark
6	JC67-00113A	CAP-M_INLET	1	SNA	D	
8	6003-000269	SCREW-TAPTITE	2	SA	B	
9	6003-000196	SCREW-TAPTITE	9	SA	B	
10	6003-001256	SCREW-TAPTITE	5	SNA	A	
11	6009-001492	SCREW-HEX	9	SNA	B	
12	6502-001093	CABLE CLAMP	1	SA	A	

8. Frame base



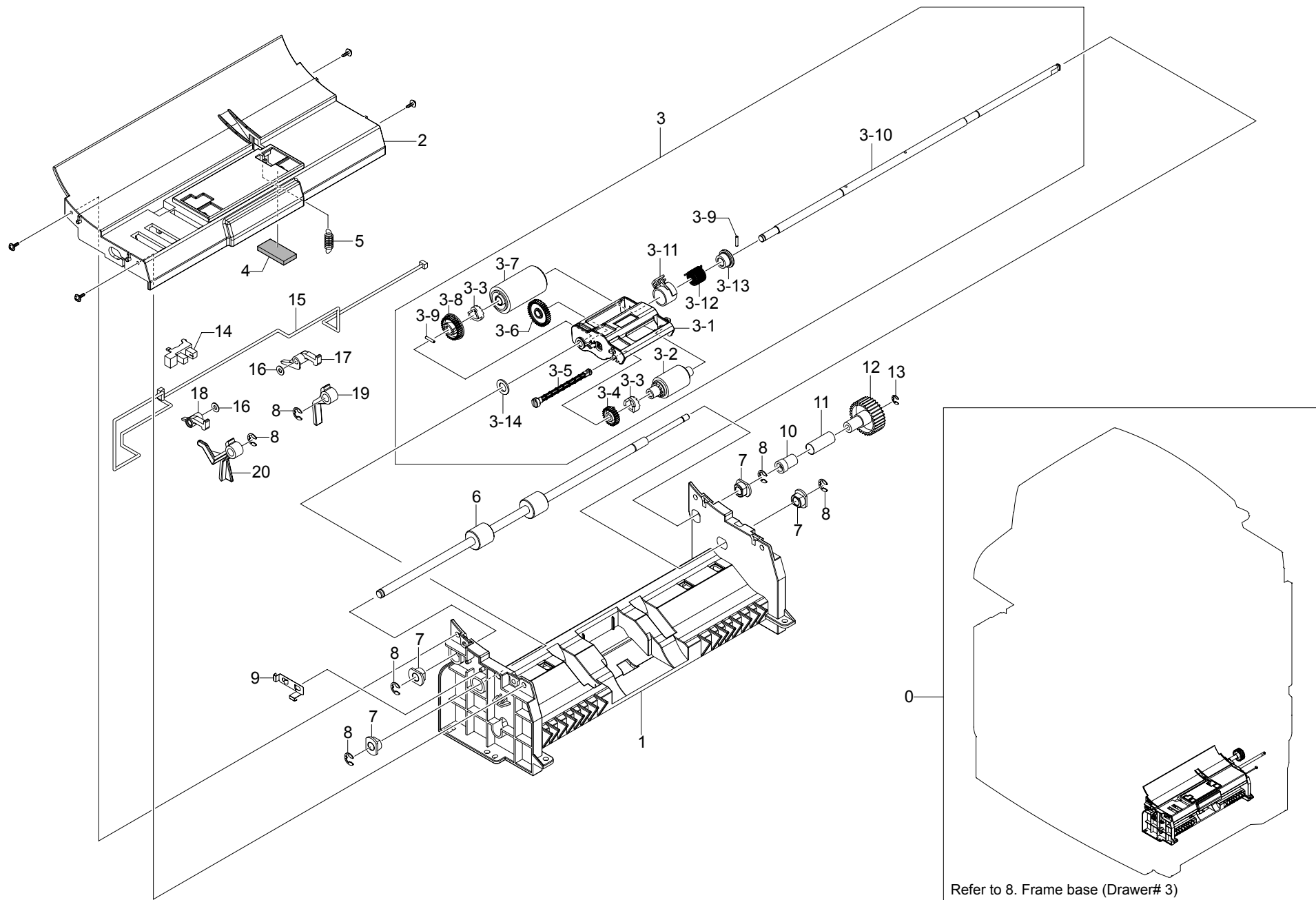
Frame base parts list

SA : SERVICE AVAILABLE, SNA : SERVICE not AVAILABLE

Drawer#	SEC_Code	Description	QT'y	Service	Grade	Remark
0	JC96-04556A	ELA UNIT-BASE FRAME	1	SNA	A	
1	JC96-04570A	ELA UNIT-PLATE UPPER	1	SA	A	
2	JC96-04936A	ELA UNIT-BASE RIGHT	1	SA	A	
3	JC96-04774A	ELA HOU-MP	1	SA	A	
4	JC97-02260A	MEA UNIT-HOLDER PAD	1	SA	A	
5	JC96-04554A	ELA UNIT-PICK UP	1	SA	A	
6	JC61-02002A	BRACKET-INLET	1	SA	D	
7	JC96-04552A	ELA UNIT-SIZE SENSOR	1	SA	A	
8	JC96-04562A	ELA UNIT-BASE PLATE R	1	SA	A	
9	JC61-02705A	GUIDE-FEED UPPER	1	SNA	A	
10	JC67-00055A	BRUSH-ANTISTATIC	1	SA	A	
11	JC61-02062A	GUIDE-RAIL LSU	2	SA	D	

Drawer#	SEC_Code	Description	QT'y	Service	Grade	Remark
12	JC61-00424A	BUSH-4	1	SA	B	
13	JC61-01346A	HOLDER-P-MP FEED	1	SNA	D	
14	JC61-00423A	BUSH-6_D	1	SA	B	
15	6044-000125	RING-E	1	SA	A	
16	JC63-00833A	GROUND-P-SHAFT RETARD	1	SA	D	
17	JC61-01344A	HOLDER-M_CST R	1	SNA	D	
18	6107-001259	SPRING-ES	1	SA	A	
19	6003-000196	SCREW-TAPTITE	13	SA	B	
20	6003-000269	SCREW-TAPTITE	15	SA	B	
21	6003-001256	SCREW-TAPTITE	9	SNA	A	
23	JC66-01837A	CLUTCH-2.5K Z24	1	SA	A	
24	JC39-00739A	POWER_SW	1	SNA	D	

9. MP unit



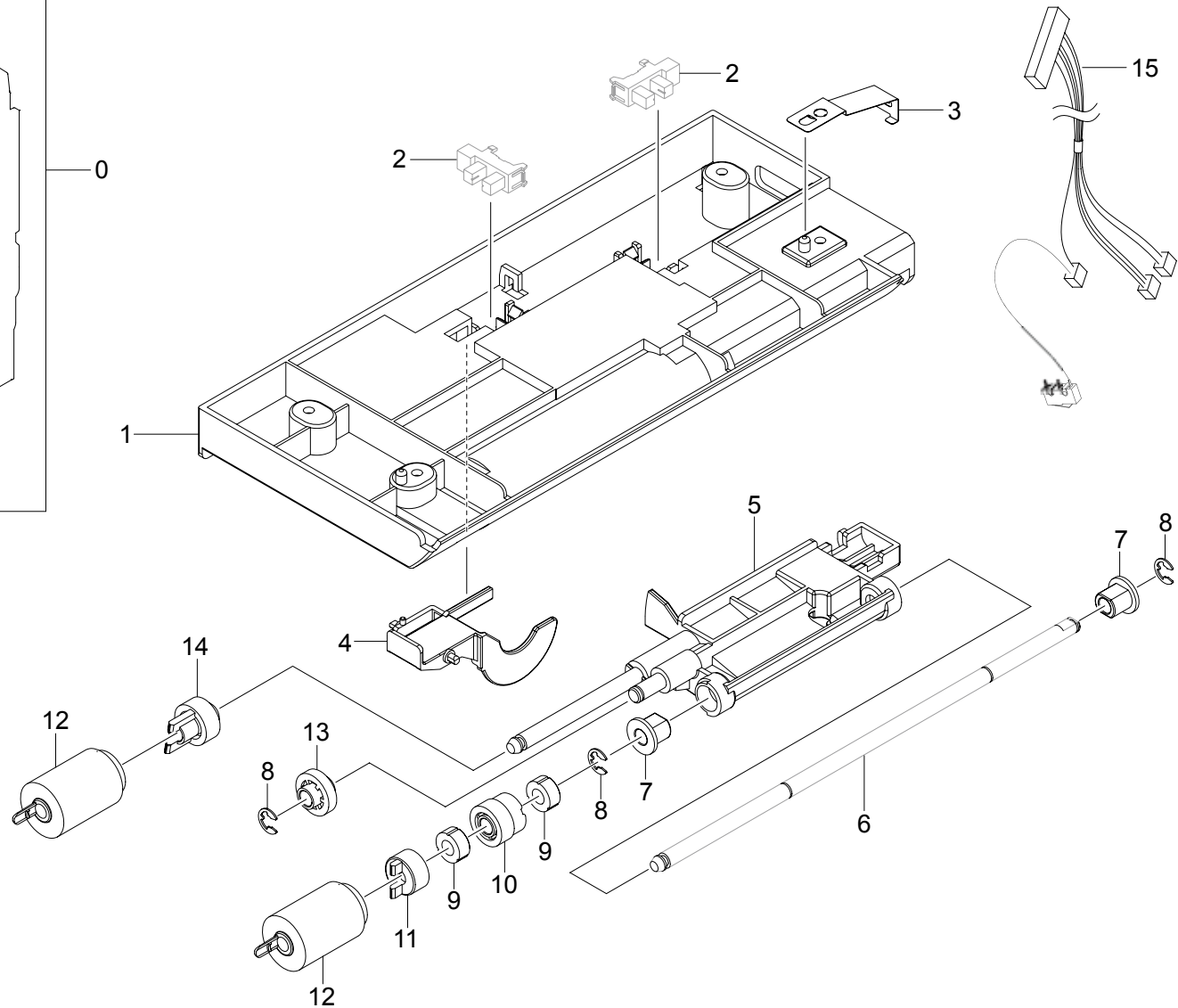
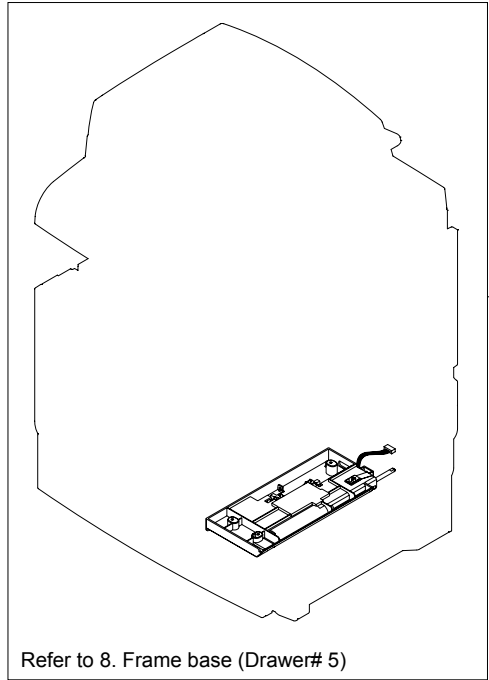
MP unit parts list

SA : SERVICE AVAILABLE, SNA : SERVICE not AVAILABLE

Drawer#	SEC_Code	Description	QT'y	Service	Grade	Remark
0	JC96-04774A	ELA HOU-MP	1	SA	A	
1	JC61-01351A	FRAME-M_MP LOWER	1	SNA	D	
2	JC61-01352A	FRAME-M_MP TOP	1	SNA	D	
3	JC96-03533A	ELA HOU-MP PICK UP	1	SA	A	
3-1	JC61-01410A	GUIDE-M_PICKUP DOC	1	SNA	A	
3-2	JB75-00300A	MEC-PICK UP ROLLER ASSY	1	SA	A	
3-3	JB72-00845A	PMO-PICK UP CLUTCH SUB	2	SA	A	
3-4	JB66-00105A	GEAR-PICK UP 26	1	SA	A	
3-5	JC72-00744A	PMO-SHAFT PICK UP	1	SA	B	
3-6	JB66-00102A	GEAR-PICK UP IDEL 38	1	SA	A	
3-7	JB75-00299A	MEC-ADF ROLLER ASSY	1	SA	A	
3-8	JB66-00104A	GEAR-ADF IDLE 34	1	SA	A	
3-9	JB70-00168A	ICT-PIN ADF	2	SA	A	
3-10	JC66-00978A	SHAFT-PICK UP MP	1	SNA	D	
3-11	JB72-00821A	PMO-ADF COLAR	1	SA	A	
3-12	JB61-70904A	SPRING ETC-CLUTCH	1	SA	A	

Drawer#	SEC_Code	Description	QT'y	Service	Grade	Remark
3-13	JC61-00750A	BUSH-M-ADF CLUTCH	1	SA	B	
3-14	6031-001247	WASHER-PLAIN	2	SNA	D	
4	JC72-01375A	SPONGE-DAMPER MP	1	SNA	D	
5	6107-001256	SPRING ES	1	SA	A	
6	JC66-01812A	ROLLER-MP FEED	1	SA	D	
7	JC61-00423A	BUSH-6_D	4	SA	B	
8	6044-000125	RING-E	6	SA	A	
9	JC63-00744A	GROUND-P-MP	1	SNA	D	
14	0604-001095	PHOTO_INTERRUPT	1	SA	A	
15	JC39-00791A	CBF HARNESS-LIMIT_EMT	1	SNA	D	
16	6031-000023	WASHER-PLAIN	1	SA	B	
17	JC66-00958B	LATCH-M_ARM REAR	1	SNA	D	
18	JC66-00958A	LATCH-M_ARM FRT	1	SNA	A	
19	JC61-01307B	STOPPER-M_PAPER REAR	1	SNA	A	
20	JC61-01307A	STOPPER-M_PAPER FRT	1	SNA	D	
21	JB63-00058A	SHEET-FILM ASF	2	SNA	A	

10. Pick up ass'y



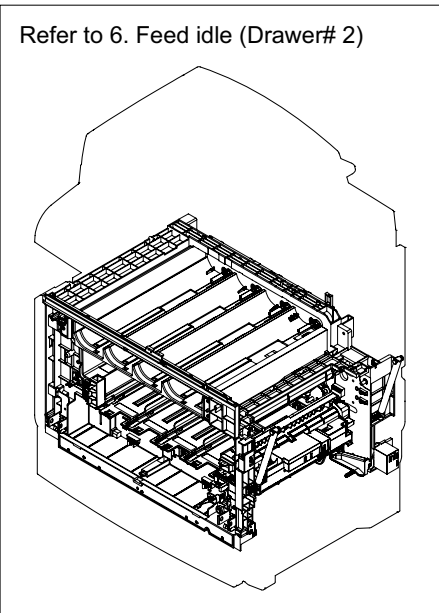
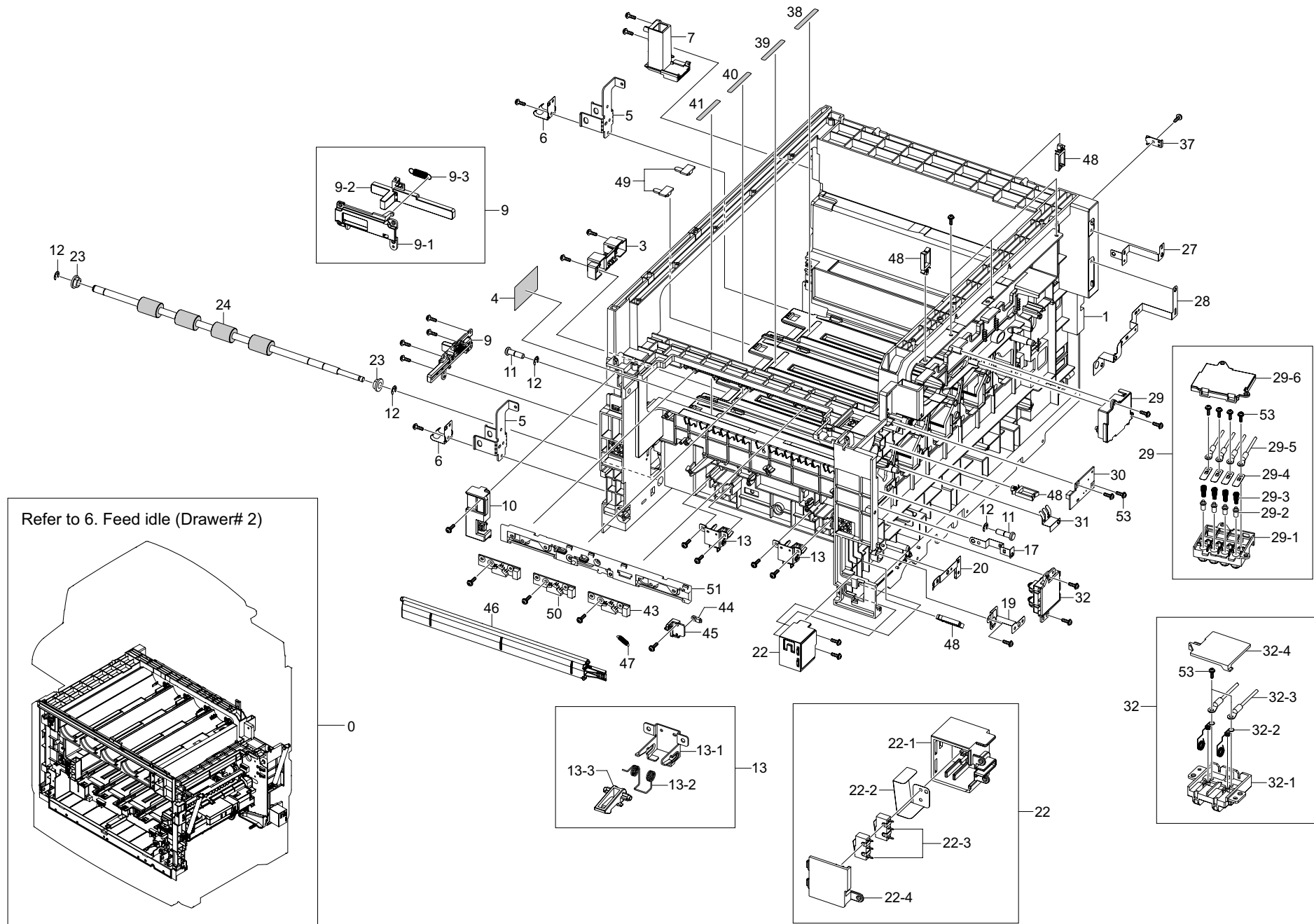
Pick up ass'y parts list

SA : SERVICE AVAILABLE, SNA : SERVICE not AVAILABLE

Drawer#	SEC_Code	Description	QT'y	Service	Grade	Remark
0	JC96-04554A	ELA UNIT-PICK UP	1	SA	A	
1	JC61-01298A	FRAME-M_BASE PICK UP	1	SNA	D	
3	JC63-00743A	GROUND-P-SHAFT PU	1	SNA	D	
4	JC61-01350A	LEG-M_ACT NO PAPER	1	SNA	A	
5	JC61-01299A	GUIDE-M_UPPER PICK UP	1	SNA	A	
6	JC66-00942A	SHAFT-PICK UP	1	SNA	D	
7	JC61-00884A	BUSH-6_D(L)	2	SNA	D	
8	6044-000125	RING-E	3	SA	A	

Drawer#	SEC_Code	Description	QT'y	Service	Grade	Remark
9	JC66-00977A	CLUTCH-P_ONE WAY	1	SA	B	
10	JC66-00941A	GEAR-M_ONE WAY	1	SA	D	
11	JC61-01288A	HOLDER-M_IDLE ONE WAY	1	SA	A	
12	JC97-02259A	MEA UNIT-ROLLER PU	2	SA	A	
13	JC66-00940A	GEAR-M_IDLE PU	1	SA	D	
14	JC66-00943A	GEAR-M_PU JOINT	1	SA	D	
15	JC39-00719A	HARNESS-SCF-EMPTY	1	SA	D	

11. Frame lower1



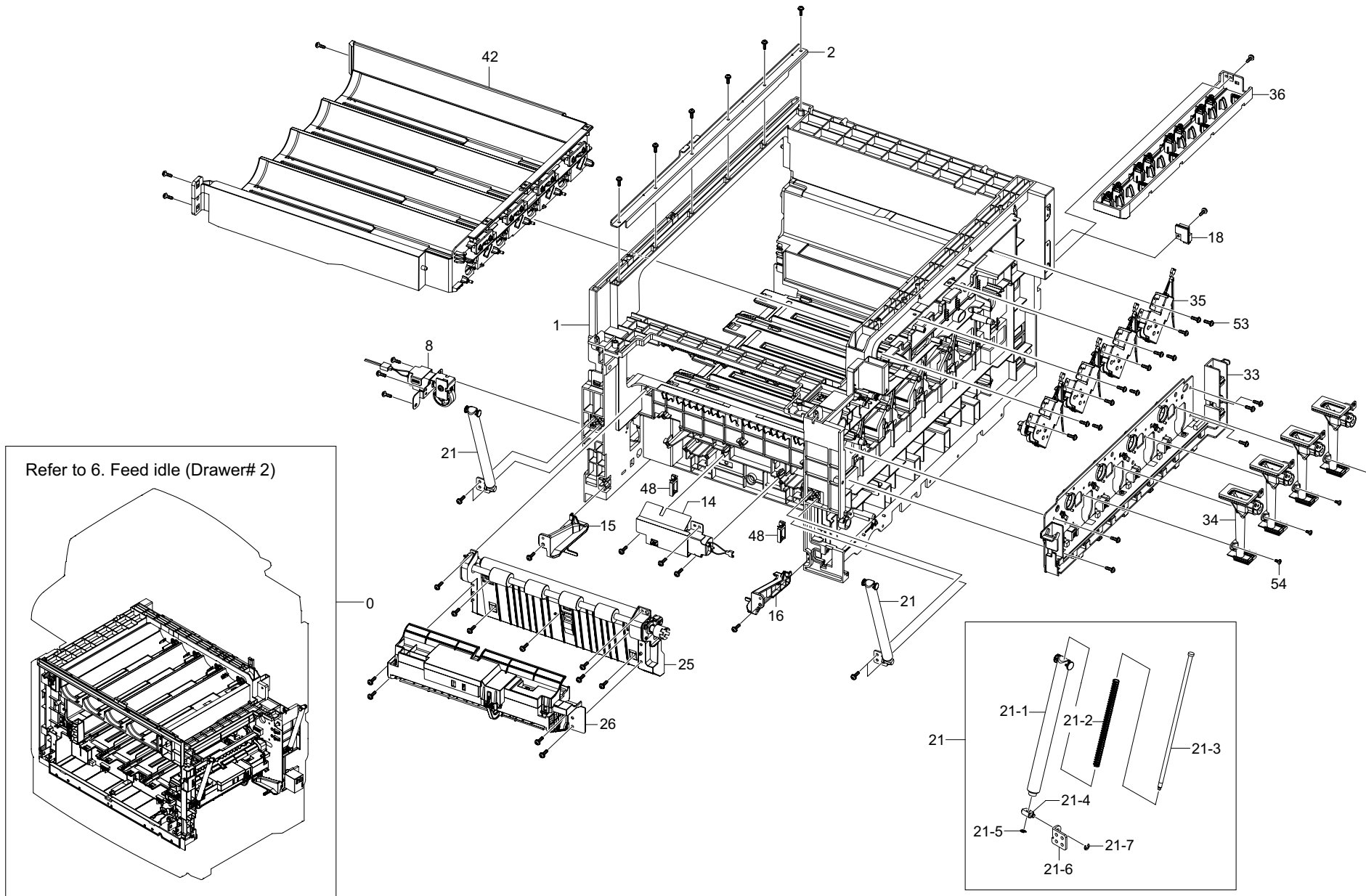
Frame lower1 parts list

SA : SERVICE AVAILABLE, SNA : SERVICE not AVAILABLE

Drawer#	SEC_Code	Description	QT'y	Service	Grade	Remark
0	JC93-00102A	FRAME-LOWER	1	SNA	A	
1	JC61-02024A	FRAME-MAIN LOWER	1	SA	D	
3	JC96-04546A	ELA HOU-SENSOR WTB	1	SNA	A	
4	JC63-01466A	SHEET-COVER WTB	1	SNA	D	
5	JC61-01988A	BRACKET-OPC HINGE	2	SNA	D	
6	JC63-01407A	GROUND-BRACKET OPC	2	SNA	D	
7	JC97-02951A	MEA UNIT-SHUTTER WTB	1	SA	A	
9	JC96-04746A	ELA UNIT-LEVER	1	SA	D	
9-1	JC63-01412A	COVER-LEVER SLIDE	1	SNA	D	
9-2	JC66-01516A	LEVER-OPC SMALL	1	SA	D	
9-3	JC61-02098A	SPRING-ETC SLIDE	1	SA	D	
10	JC97-02263A	MEA UNIT-F DR	1	SA	A	
11	JC66-00960A	SHAFT-DUP GUIDE	2	SNA	A	
12	6044-000231	RING-E	4	SA	A	
13	JC96-04555A	ELA UNIT-HOLDER LSU	1	SA	A	
13-1	JC61-02023A	BRACKET-HOLDER LSU	1	SA	D	
13-2	6107-001327	SPRING-TS	1	SA	D	
13-3	JC61-01983A	HOLDER-LSU	1	SNA	A	
17	JC63-01386A	GROUND-REGI ROLLER	1	SNA	D	
19	JC63-01388A	GROUND-FEED ROLLER	1	SA	D	
20	JC63-01515A	GROUND-MAIN DRIVE	1	SA	D	
22	JC96-04558A	ELA UNIT-COVER OPEN	1	SA	A	
22-1	JC61-01354A	HOUSING-M_SIDE DR SNR	1	SNA	A	
22-2	JC63-00753A	GUARD-P_SW	1	SNA	A	
22-3	JC39-00751A	HARNESS-COVER OPEN DN	1	SNA	D	
22-4	JC63-00760A	COVER-M_SIDE DOOR SNR	1	SNA	D	
23	JC61-00426A	BUSH-8/5	2	SA	D	
24	JC66-01973A	ROLLER-FEED DRIVE	1	SNA	D	
27	JC63-01387A	GROUND-HVPS	1	SNA	D	
28	JC63-01393A	GROUND-ENGINE	1	SNA	D	

Drawer#	SEC_Code	Description	QT'y	Service	Grade	Remark
29	JC96-04561A	ELA UNIT-HV ITB	1	SA	A	
29-1	JC61-02028A	HOUSING-TERMINAL ITB	1	SA	D	
29-2	JC70-40912A	ICT-SHAFT HV LARGE	4	SA	B	
29-3	JC61-70930A	SPRING ETC-HV SMALL	4	SA	A	
29-4	JC61-01330A	PLATE-P-TERMINAL_HV	4	SNA	A	
29-5	JC39-00744A	HARNESS-HVPS T1	1	SNA	D	
29-6	JC63-01357A	COVER-TERMINAL	1	SNA	D	
30	JC92-01886A	PBA-ITB CRUM IF	1	SA	A	
31	JC63-01394A	GROUND-ITB REAR	1	SNA	D	
32	JC96-04578A	ELA UNIT-HV TR	1	SA	A	
32-1	JC61-02027A	HOUSING-TERMINAL	1	SNA	D	
32-2	JC65-00029A	TERMINAL-HV TR	2	SA	D	
32-3	JC39-00742A	HARNESS-HVPS T2&SAW	1	SNA	D	
32-4	JC63-01357A	COVER-TERMINAL	1	SNA	D	
37	JC61-02205A	BRACKET-HOLDER SPRING	1	SA	D	
38	JC68-02107A	LABEL-INSTALLATION	1	SNA	D	
39	JC68-02107B	LABEL-INSTALLATION	1	SNA	D	
40	JC68-02107C	LABEL-INSTALLATION	1	SNA	D	
41	JC68-02107D	LABEL-INSTALLATION	1	SNA	D	
43	JC32-00006A	SENSOR-CTD	2	SA	D	
44	1404-001417	THERMISTOR-NTC ASSY	1	SA	A	
45	JC61-02146A	HOLDER-COVER SENSOR	1	SNA	D	
46	JC93-00101A	FRAME-CAP SENSOR	1	SNA	D	
47	6107-001399	SPRING-ES	1	SNA	A	
48	6502-001093	CABLE CLAMP	6	SA	A	
49	6502-000121	CABLE CLAMP	2	SNA	E	
50	JC32-00012A	SENSOR-CTD	1	SA	D	
51	JC61-03509A	HOLDER-ACR SENSOR	1	SA	D	

12. Frame lower2



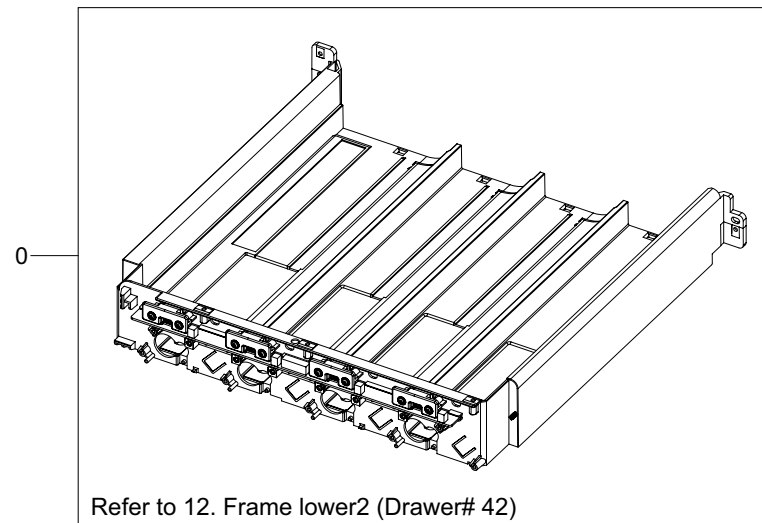
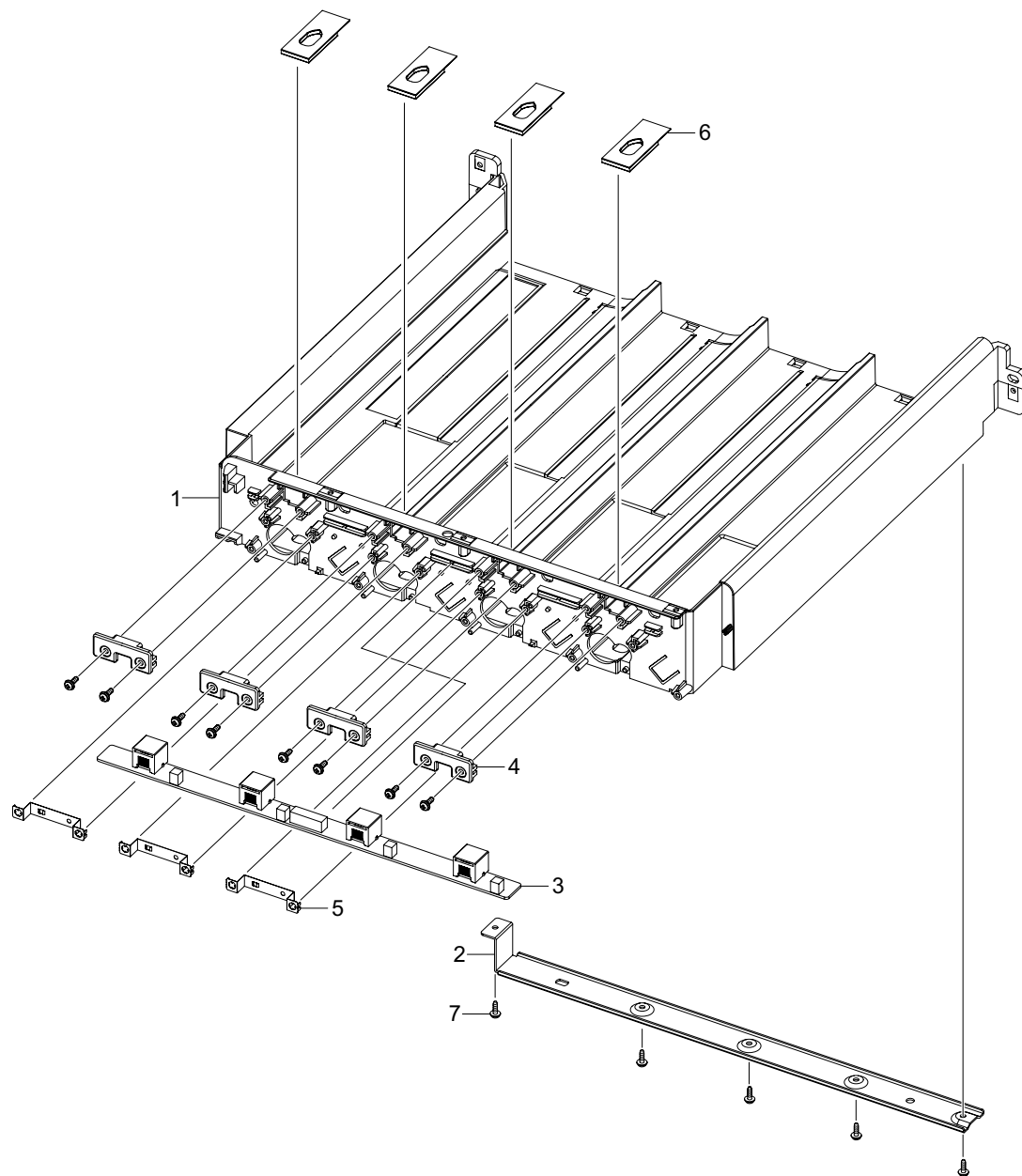
Frame lower2 parts list

SA : SERVICE AVAILABLE, SNA : SERVICE not AVAILABLE

Drawer#	SEC_Code	Description	QT'y	Service	Grade	Remark
0	JC93-00102A	FRAME-LOWER	1	SNA	A	
1	JC61-02024A	FRAME-MAIN LOWER	1	SA	D	
2	JC61-02022A	BRACKET-SUPPORT FRAME	1	SNA	D	
8	JC96-04564A	ELA UNIT-WTB MOTOR	1	SA	A	
14	JC96-04559A	ELA UNIT-LSU CLEANING	1	SA	A	
15	JC61-02065A	GUIDE-RAIL FEED F	1	SNA	D	
16	JC61-02066A	GUIDE-RAIL FEED R	1	SNA	D	
18	JC32-00005A	SENSOR-HUMIDITY	1	SA	D	
21	JC97-02936A	MEA UNIT-DAMPER L	2	SNA	A	
21-1	JC61-02071A	HOLDER-DAMPER DUPLEX	1	SNA	D	
21-2	6107-001344	SPRING-CS	1	SA	D	
21-3	JC66-01466A	SHAFT-DAMPER DUPLEX	1	SNA	D	
21-4	JC61-00197A	HINGE-SHAFT DUP	1	SNA	D	

Drawer#	SEC_Code	Description	QT'y	Service	Grade	Remark
21-5	6044-000121	RING-E	1	SA	D	
21-6	JC61-00310A	BRACKET-L DAMPER DUP	1	SNA	D	
21-7	6044-000159	RING-C	1	SA	B	
25	JC93-00103A	FRAME-REGI	1	SA	A	
26	JC96-04600A	ELA HOU-GUIDE REGI	1	SA	A	
33	JC96-04573A	ELA UNIT-HOLDER OPC	1	SA	A	
34	JC97-02944A	MEA UNIT-DUCT TONER	4	SA	A	
35	JC97-02949A	MEA UNIT-TONER DRIVE	4	SA	A	
36	JC96-04581A	ELA UNIT-HV DEVE	1	SA	A	
42	JC96-04579A	ELA HOU-BOTTLE BASE	1	SA	A	
48	6502-001093	CABLE CLAMP	6	SA	A	
53	6003-000196	SCREW-TAPTITE	85	SA	B	
54	6003-000269	SCREW-TAPTITE	4	SA	B	

13. Bottle base



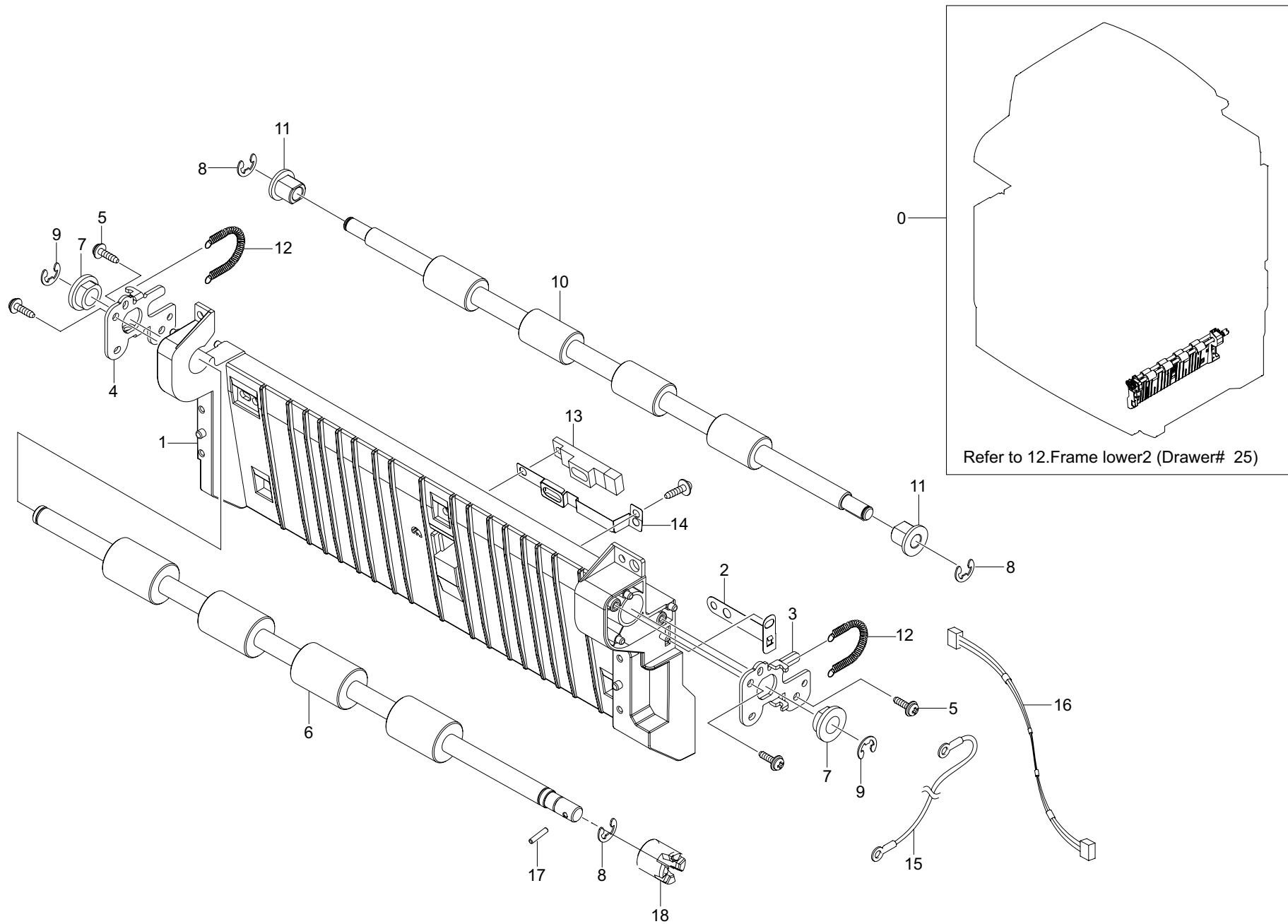
Bottle base parts list

SA : SERVICE AVAILABLE, SNA : SERVICE not AVAILABLE

Drawer#	SEC_Code	Description	QT'y	Service	Grade	Remark
0	JC96-04579A	ELA HOU-BOTTLE BASE	1	SA	A	
1	JC61-02031A	HOUSING-BOTTLE BASE	1	SNA	D	
2	JC61-01998A	BRACKET-BOTTLE	1	SNA	D	
3	JC92-01887A	PBA SUB-TB_CRUM_IF	1	SA	A	

Drawer#	SEC_Code	Description	QT'y	Service	Grade	Remark
4	JC61-02422A	HOLDER-TONER CRUM	4	SNA	D	
5	JC63-01392A	GROUND-MOTOR BOTTLE	3	SNA	D	
6	JC62-00384A	SEAL-TONER OUTLET	4	SNA	D	
7	6003-000196	SCREW-TAPTITE	13	SA	B	

14. Registration



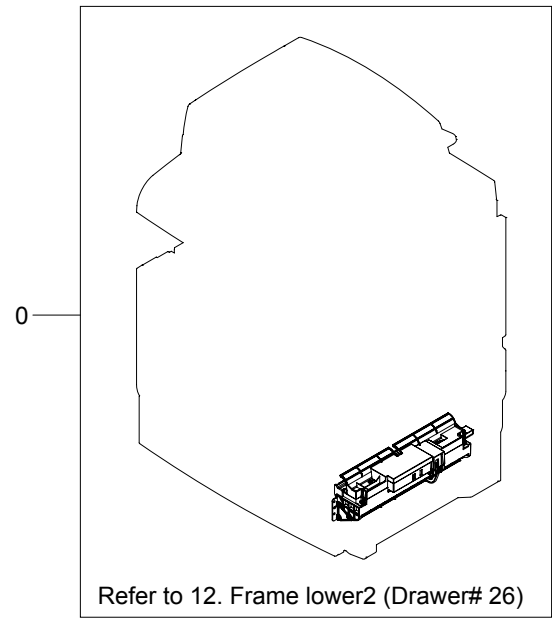
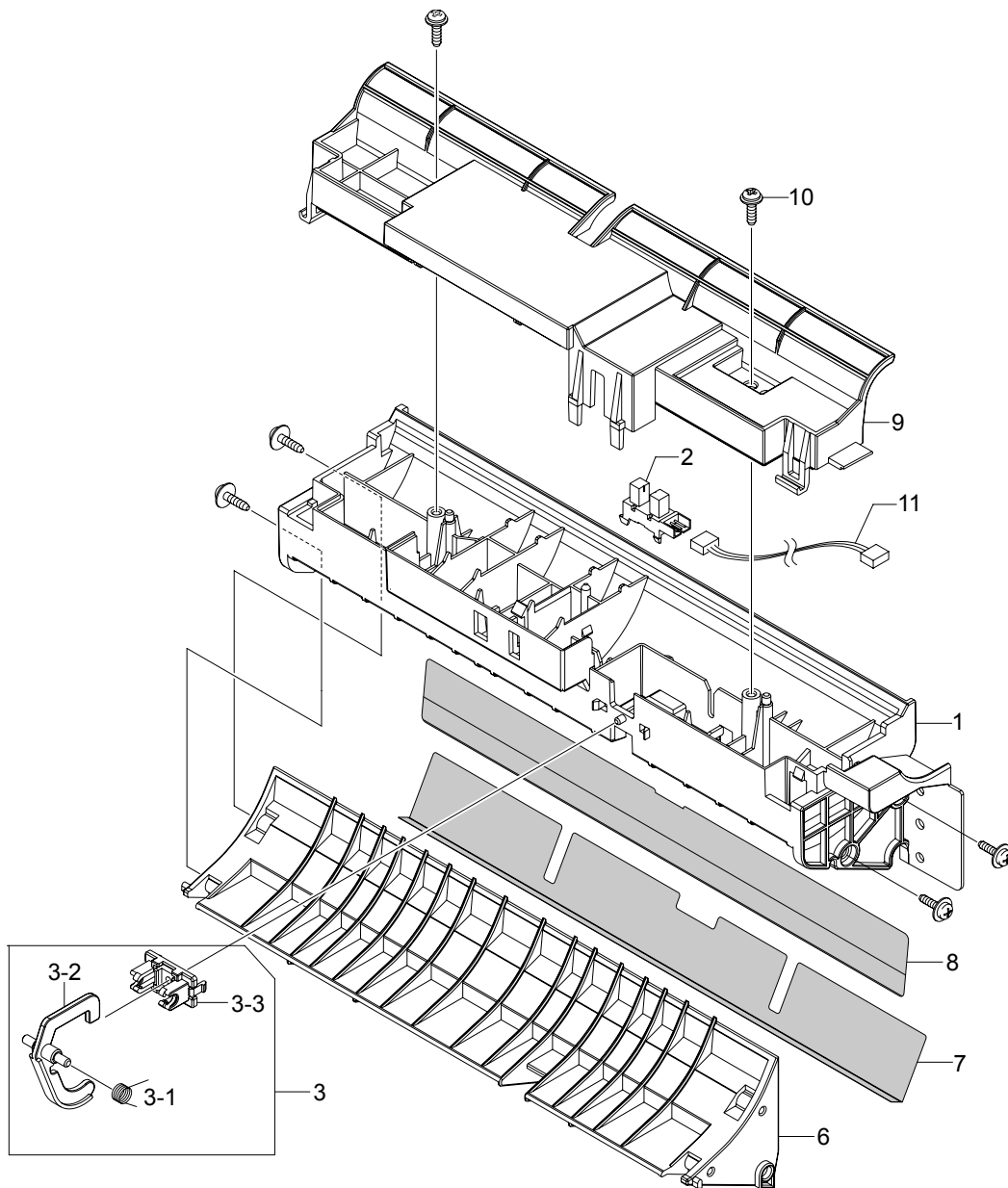
Registration parts list

SA : SERVICE AVAILABLE, SNA : SERVICE not AVAILABLE

Drawer#	SEC_Code	Description	QT'y	Service	Grade	Remark
0	JC93-00103A	FRAME-REGI	1	SA	A	
1	JC61-02072A	GUIDE-MAIN	1	SNA	D	
2	JC63-01395A	GROUND-ROLLER REGI	1	SNA	D	
3	JC61-02013A	HOLDER-REGI R	1	SNA	D	
4	JC61-02070A	HOLDER-REGI F	1	SNA	D	
5	6003-000196	SCREW-TAPTITE	5	SA	B	
6	JC66-02432A	ROLLER-REGI DRIVE	1	SA	D	
7	JC61-00426A	BUSH-8/5	2	SA	D	
8	6044-000231	RING-E	3	SA	A	
9	6044-000130	RING-E	2	SNA	D	

Drawer#	SEC_Code	Description	QT'y	Service	Grade	Remark
10	JC66-01506A	ROLLER-REGI IDLE	1	SA	D	
11	JC61-00884A	BUSH-6_D	2	SNA	D	
12	6107-001155	SPRING-ES	2	SA	A	
13	0604-001230	PHOTO INTERRUPTER	1	SA	A	
14	JC63-02011A	GROUND-SENSOR	1	SNA	A	
15	JC39-00496A	CBF HARNESS-GND ZENER	1	SA	D	
16	JC39-00706A	HARNESS-SENS FEED	1	SNA	D	
17	JB70-00168A	ICT-PIN ADF	1	SA	D	
18	JC67-00423A	COUPLER-ROLLER REGI	1	SA	D	

15. Guide reai



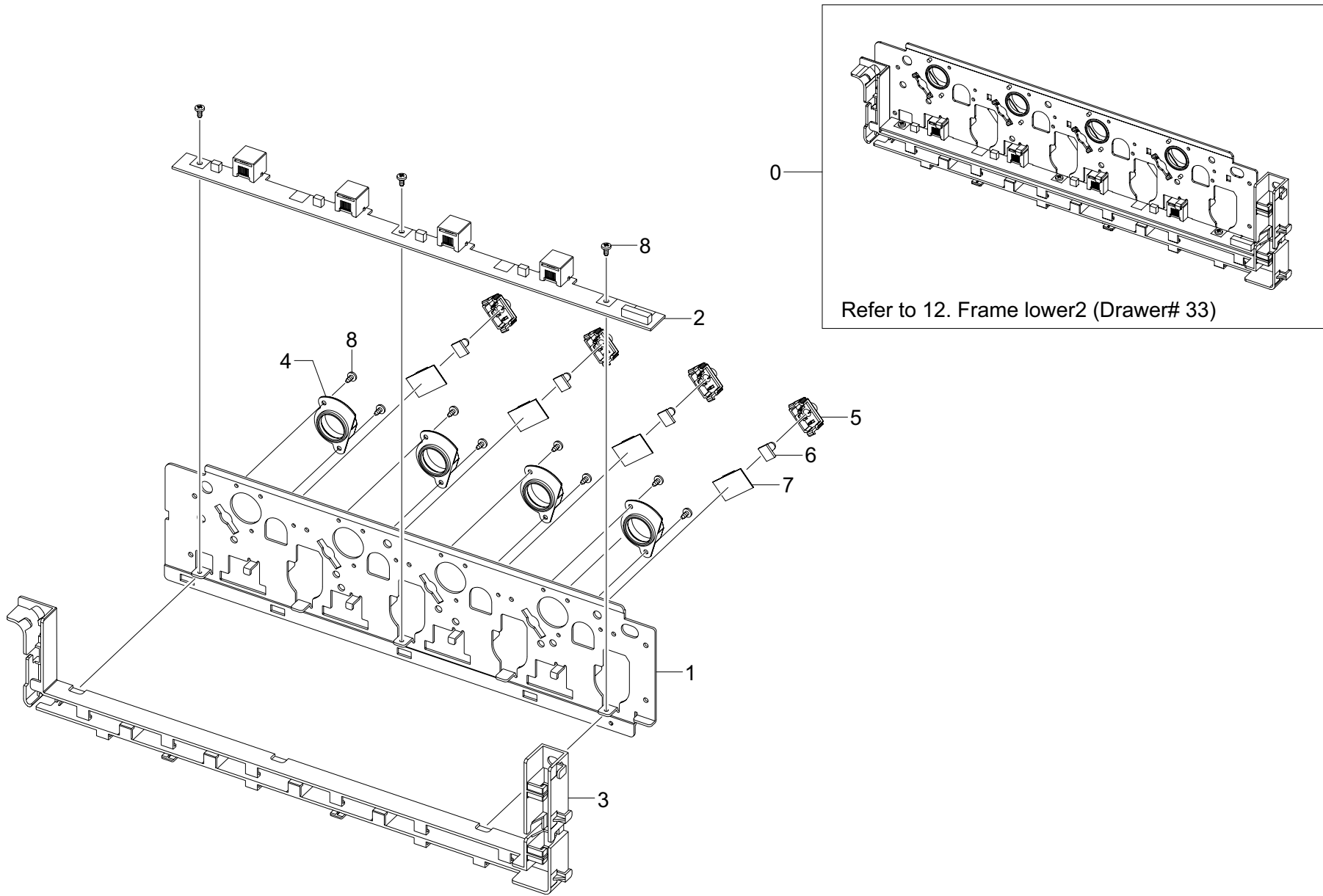
Guide reai parts list

SA : SERVICE AVAILABLE, SNA : SERVICE not AVAILABLE

Drawer#	SEC_Code	Description	QT'y	Service	Grade	Remark
0	JC96-04600A	ELA HOU-GUIDE REGI	1	SA	A	
1	JC61-02069A	GUIDE-FEED DUPLEX	1	SNA	D	
2	0604-001095	PHOTO INTERRUPTER	1	SA	A	
3	JC97-02704A	MEA UNIT-ACT READY	1	SNA	A	
3-1	JB61-00076A	SPRING ETC-TORSION DOC(CC2-F)	1	SA	B	
3-2	JC61-01435A	LEG-M_ACT READ DP	1	SA	A	

Drawer#	SEC_Code	Description	QT'y	Service	Grade	Remark
3-3	JC61-01422A	HOLDER-M_ACT READY	1	SA	A	
6	JC61-02067A	GUIDE-MAIN DUPLEX	1	SNA	D	
7	JC63-01496A	SHEET-GUIDE REGI	1	SA	D	
8	JC63-01852A	SHEET-GUIDE FILM	1	SA	D	
9	JC61-02021A	HOLDER-SENSOR UPPER	1	SNA	D	
10	6003-000196	SCREW TAPTITE	6	SA	B	
11	JC39-00705A	HARNESS-REGI	1	SA	D	

16. Holder opc



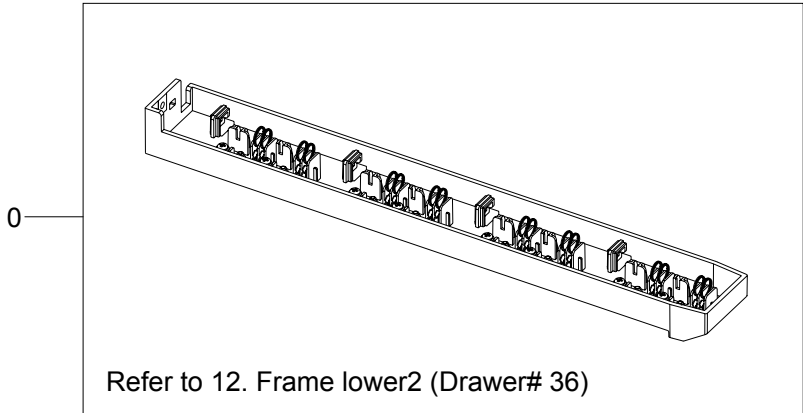
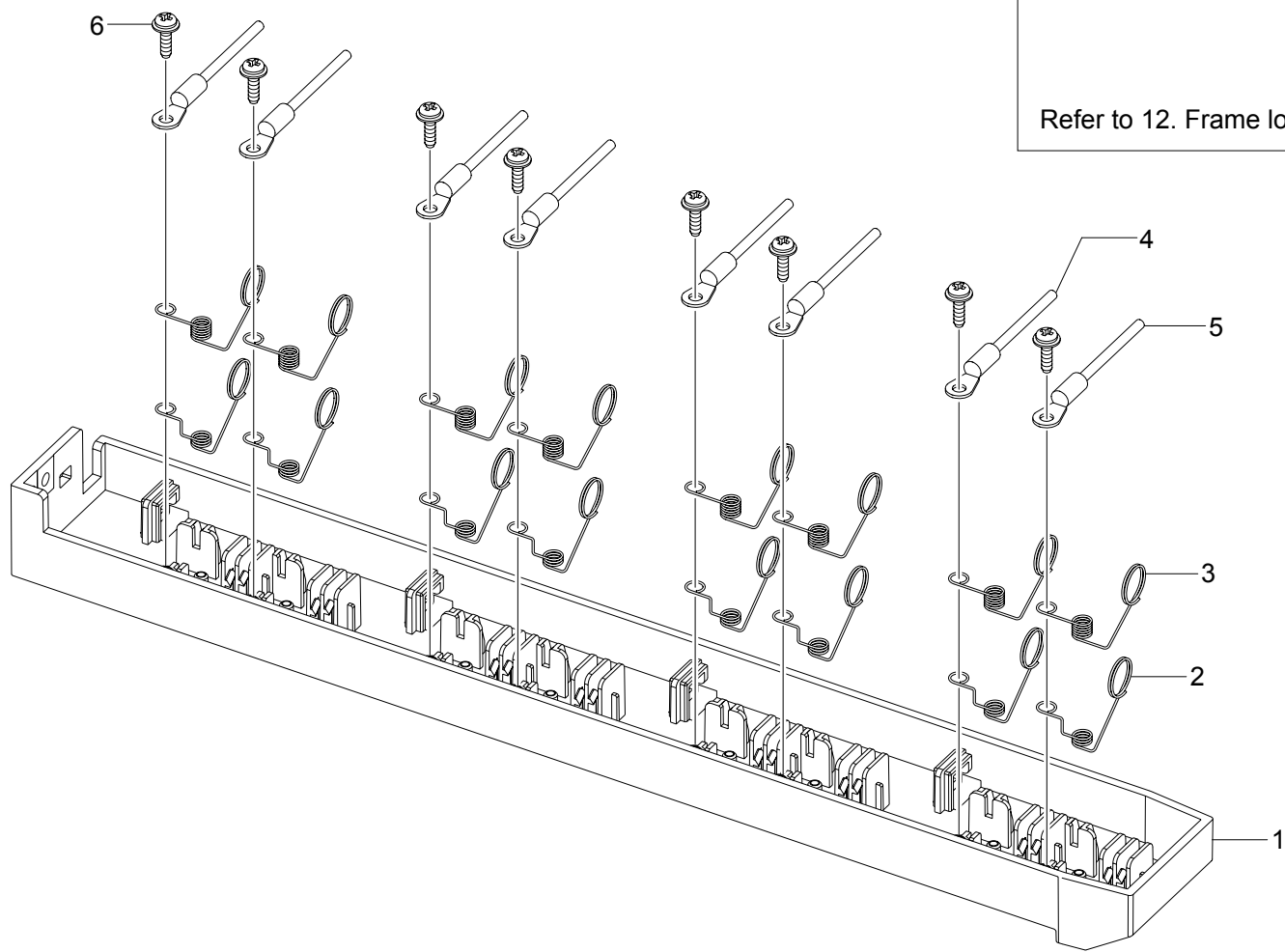
Holder opc parts list

SA : SERVICE AVAILABLE, SNA : SERVICE not AVAILABLE

Drawer#	SEC_Code	Description	QT'y	Service	Grade	Remark
0	JC96-04573A	ELA UNIT-HOLDER OPC	1	SA	A	
1	JC61-02060A	BRACKET-HOLDER OPC	1	SA	D	
2	JC92-01888A	PBA SUB-DEVE_CRUM_IF	1	SA	A	
3	JC61-02025A	HOLDER-HARNESS OPC	1	SNA	D	
4	JC61-02706A	HOLDER-OPC COUPLING	4	SA	B	

Drawer#	SEC_Code	Description	QT'y	Service	Grade	Remark
5	JC61-02019A	HOLDER-OPC ERASER	4	SNA	D	
6	JC92-01959A	PBA SUB-ERASER	4	SNA	D	
7	JC72-01458A	SPONGE-ERASER SENSOR	4	SNA	A	
8	6003-000269	SCREW-TAPTITE	11	SA	B	

17. HV deve



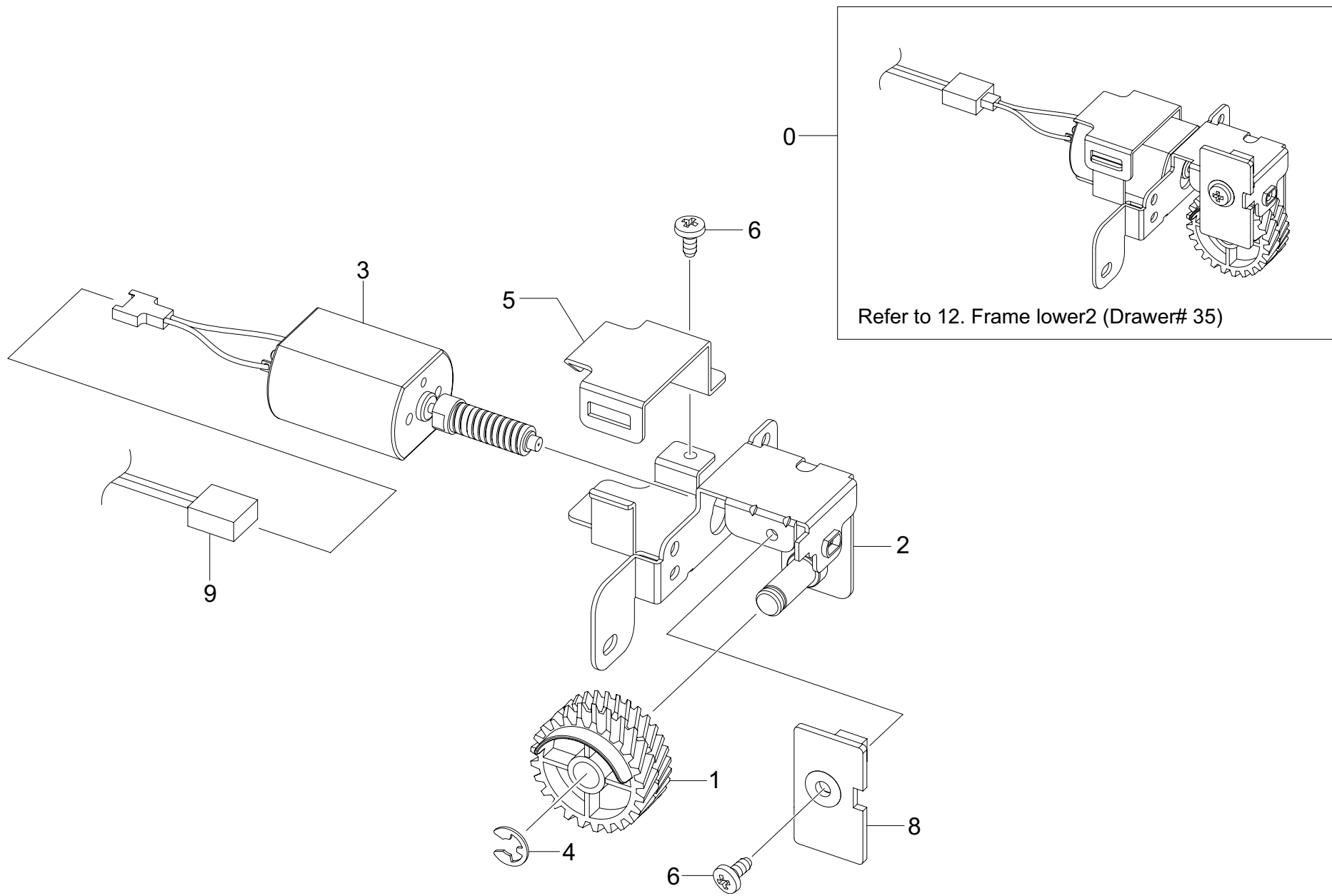
HV deve parts list

SA : SERVICE AVAILABLE, SNA : SERVICE not AVAILABLE

Drawer#	SEC_Code	Description	QT'y	Service	Grade	Remark
0	JC96-04581A	ELA UNIT-HV DEVE	1	SA	A	
1	JC61-02030A	HOUSING-TERMINAL DEVE	1	SNA	D	
2	JC65-00028A	TERMINAL-HV DEVE A	8	SA	D	
3	JC65-00025A	TERMINAL-HV DEVE	8	SNA	D	

Drawer#	SEC_Code	Description	QT'y	Service	Grade	Remark
4	JC39-00743A	HARNESS-HVPS MAG	1	SNA	D	
5	JC39-00718A	HARNESS-HVPS CHAR_CK	1	SNA	D	
5	JC39-00745A	HARNESS-HVPS CHAR_YM	1	SNA	D	
6	6003-000196	SCREW-TAPTITE	8	SA	B	

18. WTB motor



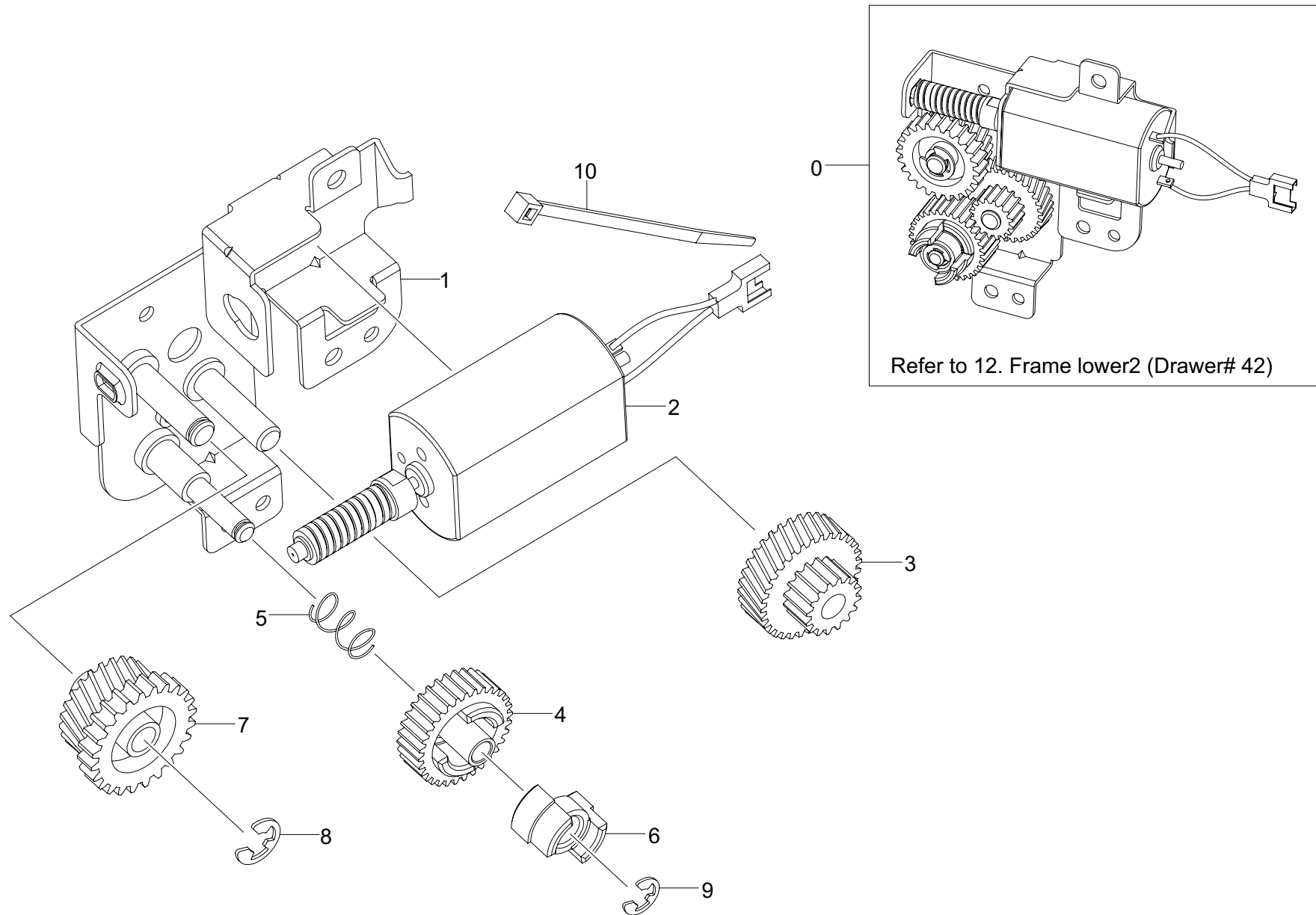
WTB motor parts list

SA : SERVICE AVAILABLE, SNA : SERVICE not AVAILABLE

Drawer#	SEC_Code	Description	QT'y	Service	Grade	Remark
0	JC96-04564A	ELA UNIT-WTB MOTOR	1	SA	A	
1	JC66-01524A	GEAR WTB MOTOR	1	SNA	D	
2	JC61-01986A	BRACKET GEAR WTB	1	SNA	D	
3	JC31-00078A	MOTOR DC	1	SA	A	
4	6044-000125	RING-E	1	SA	A	

Drawer#	SEC_Code	Description	QT'y	Service	Grade	Remark
5	JC61-02496A	BRACKET-HOLDER MOTOR	1	SA	D	
6	6003-000269	SCREW-TAPTITE	1	SA	B	
8	JC92-02005A	PBA SUB-MOTOR_SENSOR	1	SA	D	
9	JC39-00724A	HARNESS-WB_MT	1	SNA	D	

19. Toner drive



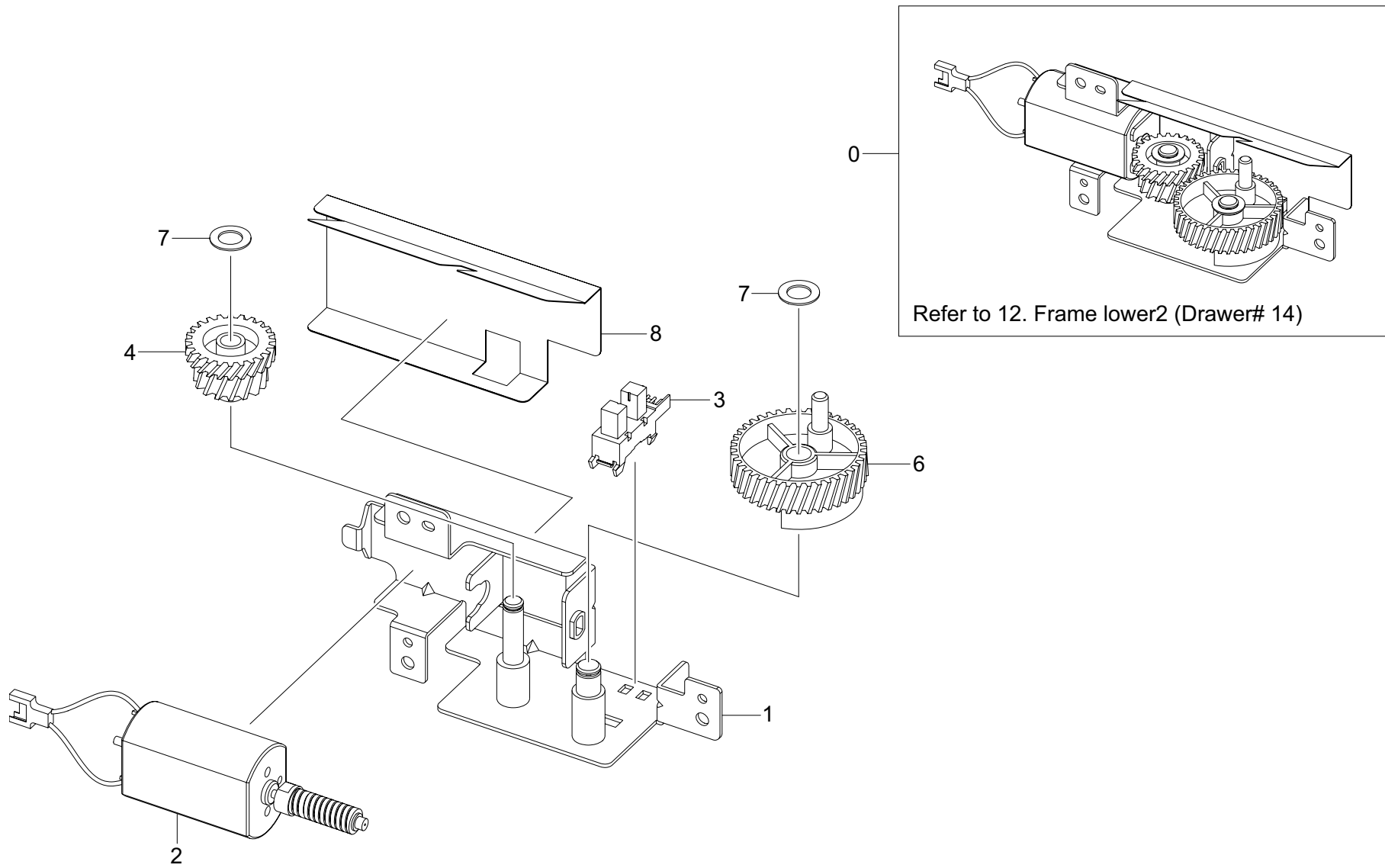
Toner drive parts list

SA : SERVICE AVAILABLE, SNA : SERVICE not AVAILABLE

Drawer#	SEC_Code	Description	QT'y	Service	Grade	Remark
0	JC97-02949A	MEA UNIT-TONER DRIVE	1	SA	A	
1	JC61-02037A	BRACKET-TONER SUPPLY	1	SNA	D	
2	JC31-00094A	MOTOR DC	1	SA	A	
3	JC66-01500A	GEAR-BOTTLE A	1	SNA	D	
4	JC66-01487A	GEAR-BOTTLE COUPLING	1	SNA	D	
5	6107-001381	SPRING-CS	1	SNA	D	

Drawer#	SEC_Code	Description	QT'y	Service	Grade	Remark
6	JC66-01801A	JOINT-COUPLING BOTTLE	1	SNA	D	
7	JC66-01501A	GEAR-BOTTLE B	1	SNA	D	
8	6044-000125	RING-E	1	SA	A	
9	6044-000159	RING-C	1	SA	B	
10	6501-000004	CABLE TIE	1	SA	D	

20. LSU cleaning



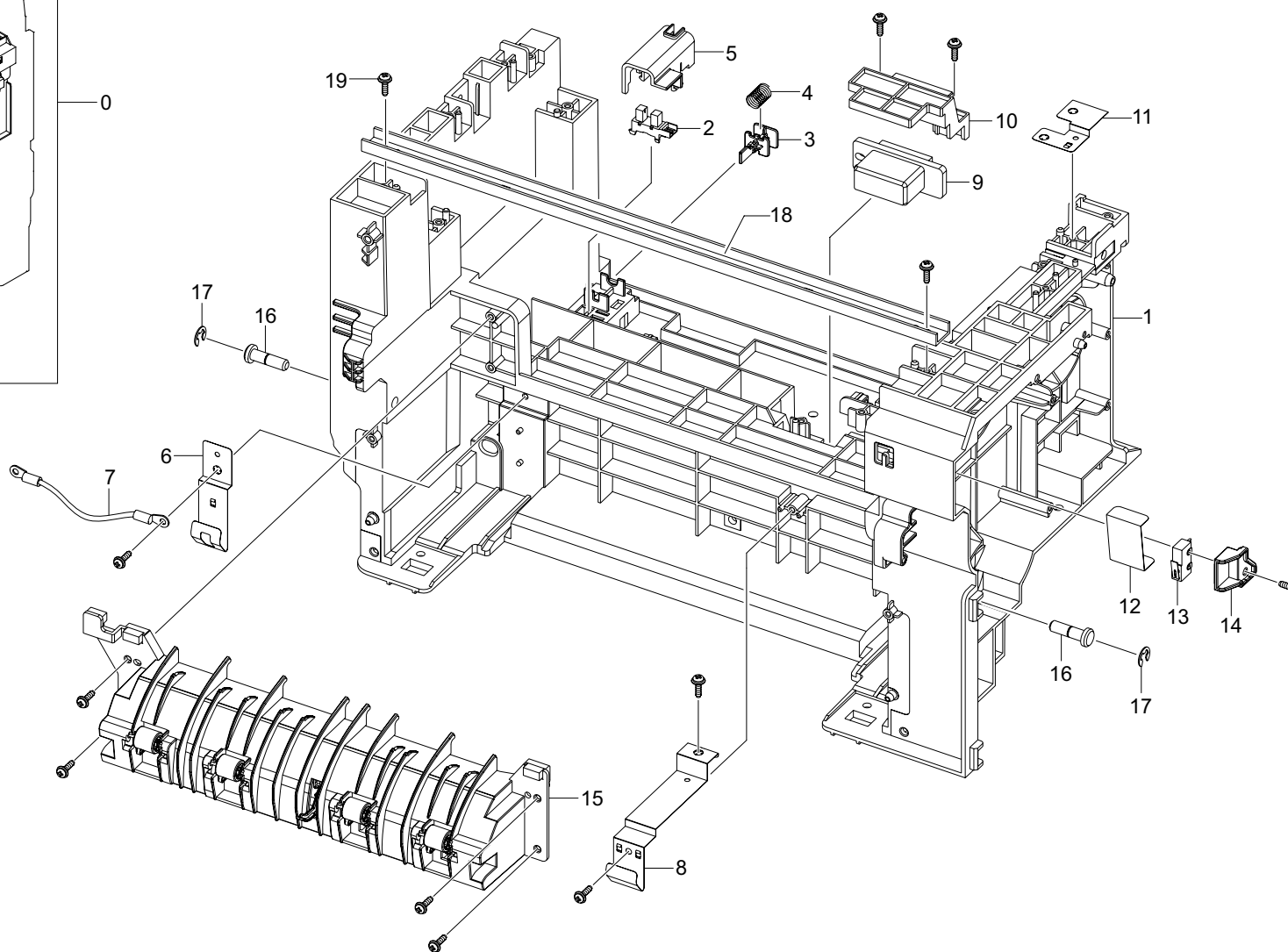
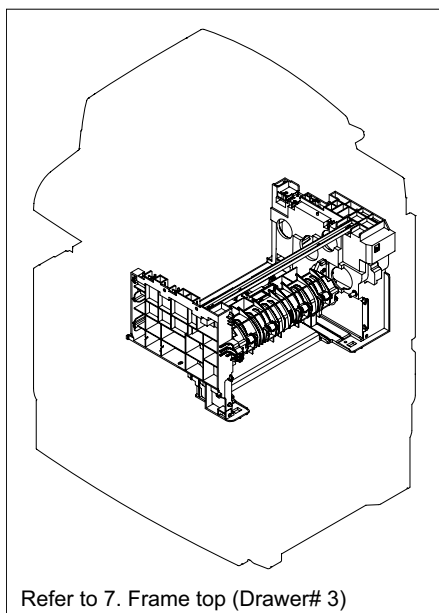
LSU cleaning parts list

SA : SERVICE AVAILABLE, SNA : SERVICE not AVAILABLE

Drawer#	SEC_Code	Description	QT'y	Service	Grade	Remark
0	JC96-04559A	ELA UNIT-LSU CLEANING	1	SA	A	
1	JC61-02167A	BRACKET-LSU CLEANING	1	SA	D	
2	JC31-00094A	MOTOR-DC	1	SA	A	
3	0604-001095	PHOTO-INTERRUPTER	1	SA	A	

Drawer#	SEC_Code	Description	QT'y	Service	Grade	Remark
4	JC66-01501A	GEAR-BOTTLE B	1	SNA	D	
6	JC66-01527A	GEAR-LSU CLEANING	1	SA	D	
7	6031-000023	WASHER-PLAN	2	SA	B	
8	6044-000125	SHEET	1	SA	A	

21. Frame upper



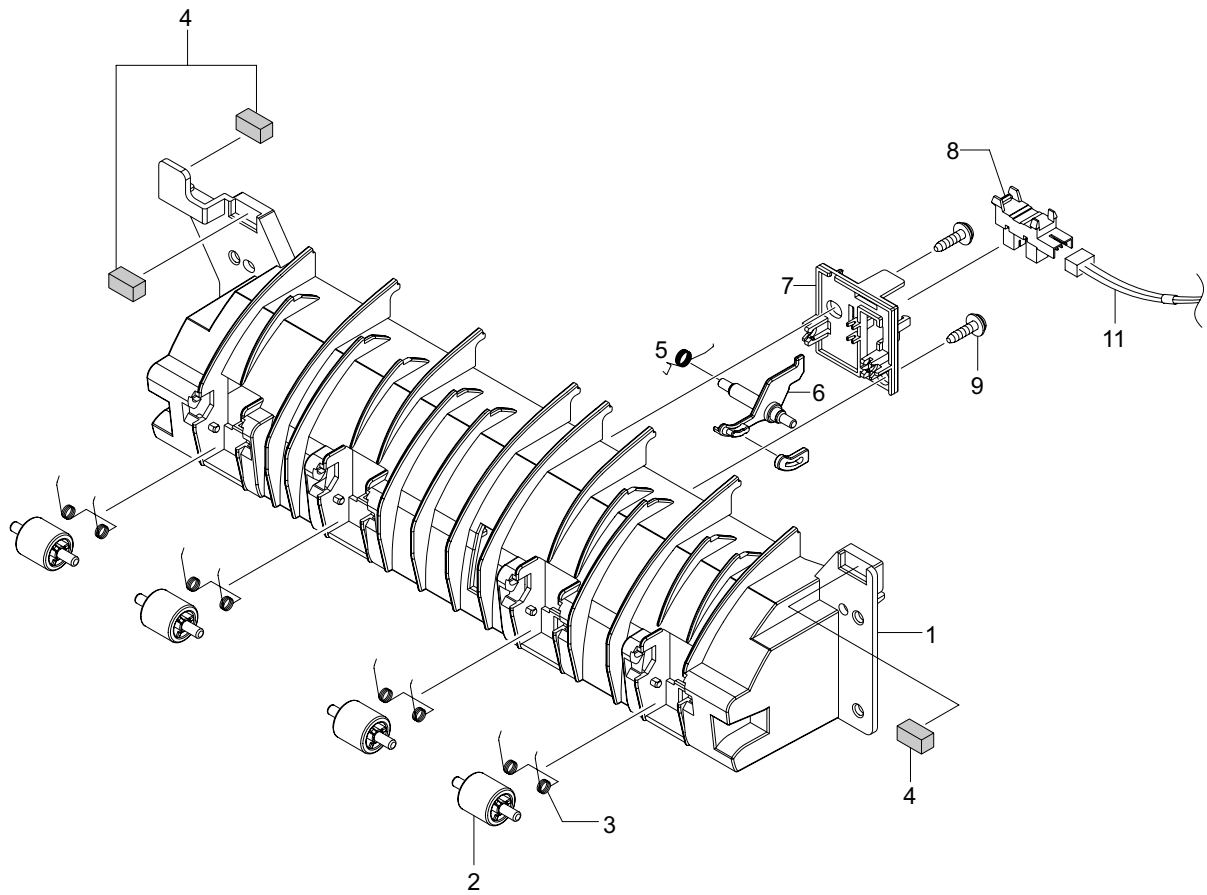
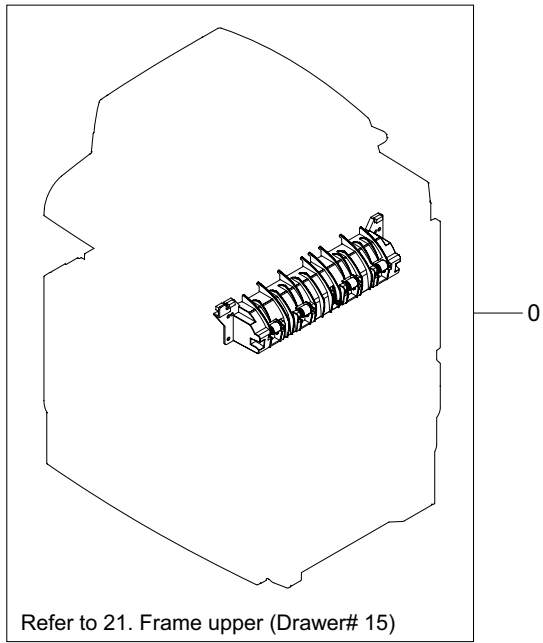
Frame upper parts list

SA : SERVICE AVAILABLE, SNA : SERVICE not AVAILABLE

Drawer#	SEC_Code	Description	QT'y	Service	Grade	Remark
0	JC96-04560A	ELA UNIT-FRAME UPPER	1	SA	A	
1	JC61-02132A	FRAME-MAIN UPPER	1	SA	D	
2	0604-001095	PHOTO-INTERRUPTER	1	SA	A	
3	JC61-01361A	LEG-M_BAR FINISHER	1	SNA	A	
4	6107-000014	SPRING-CS	1	SA	A	
5	JC63-00830A	COVER-M_ACT	1	SNA	D	
6	JC63-01389A	GROUND-FUSER	1	SA	D	
7	JC39-00709A	HARNESS-FUSER BIAS	1	SA	D	
8	JC63-01448A	GROUND-FUSER HV	1	SA	D	
9	JC39-00746A	HARNESS-FUSER FR	1	SNA	D	

Drawer#	SEC_Code	Description	QT'y	Service	Grade	Remark
10	JC63-01363A	COVER-CONNECTOR	1	SA	D	
11	JC63-01390A	GROUND-OPE REAR	1	SA	D	
12	JC63-00753A	GUARD-P_SW	1	SNA	A	
13	JC39-00750A	HARNESS-COVER OPEN UP	1	SNA	D	
14	JC61-01437A	HOLDER-M_SW	1	SNA	A	
15	JC96-04542A	ELA HOU-GUIDE EXIT	1	SA	A	
16	JC66-00960A	SHAFT-DUP GUIDE	2	SNA	A	
17	6044-000125	RING-E	2	SA	A	
18	JC61-01353A	BRACKET-P-CHANNEL	1	SNA	D	
19	6003-000196	SCREW-TAPTITE	12	SA	B	

22. Guide exit



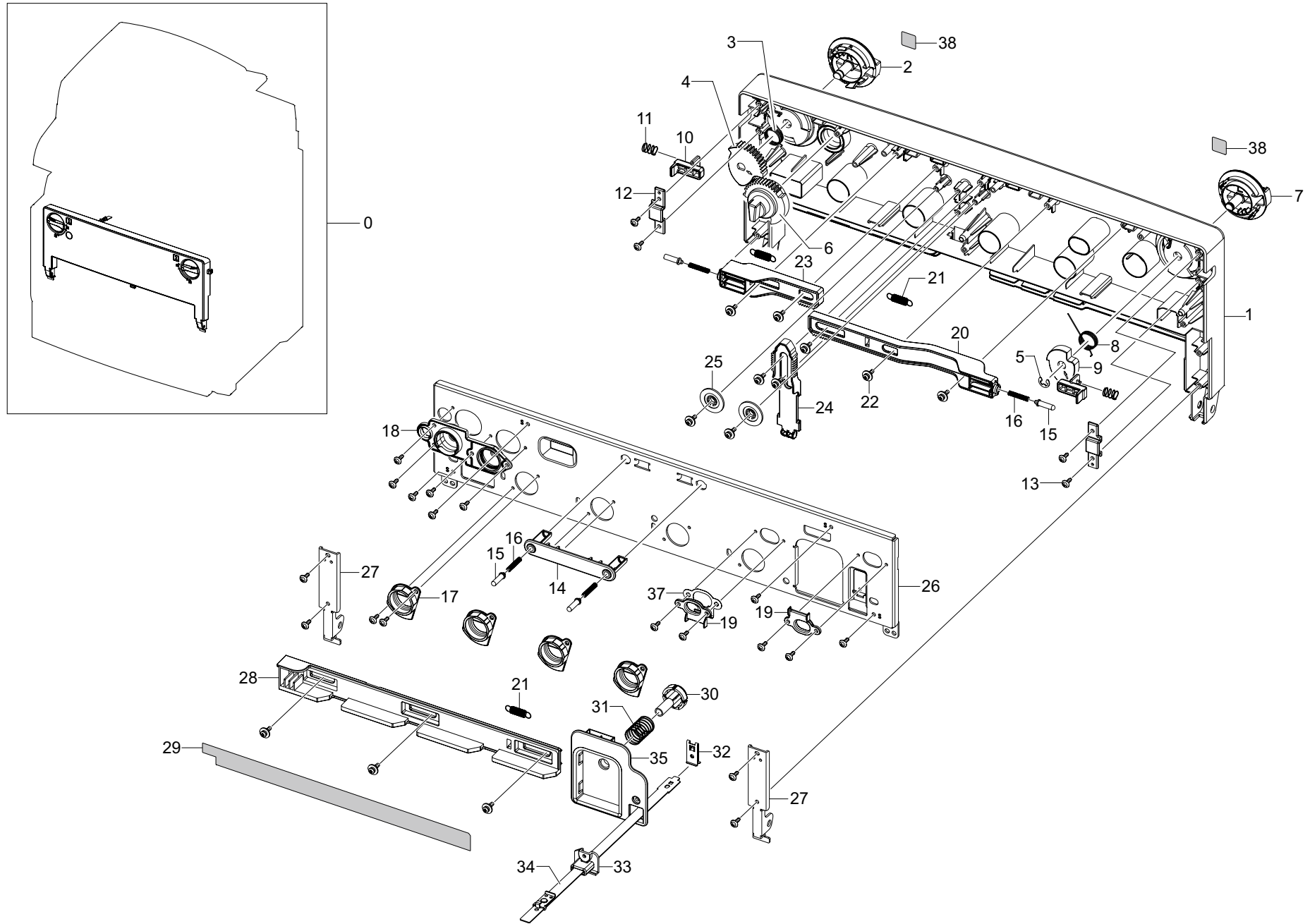
Guide exit parts list

SA : SERVICE AVAILABLE, SNA : SERVICE not AVAILABLE

Drawer#	SEC_Code	Description	QT'y	Service	Grade	Remark
0	JC96-04542A	ELA HOU-GUIDE EXIT	1	SA	A	
1	JC61-02074A	GUIDE-EXIT	1	SNA	D	
2	JC66-01013A	ROLLER-M IDLE-JF	4	SA	A	
3	6107-001262	SPRING-TS	4	SNA	D	
4	JC62-00416A	SEAL-GUIDE-EXIT	3	SNA	D	
5	JC61-00019A	SPRING-ETC-ACT-FEED	1	SA	D	

Drawer#	SEC_Code	Description	QT'y	Service	Grade	Remark
6	JC66-01474A	ACTUATOR-EXIT	1	SA	D	
7	JC61-02073A	HOLDER-ACTUATOR	1	SA	D	
8	0604-001393	PHOTO-INTERRUPTER	1	SA	A	
9	6003-000196	SCREW-TAPTITE	2	SA	B	
10	JC61-02673A	SUPPORT-ACTUATOR	1	SA	D	
11	JC39-00703A	HARNES-SENS EXIT	1	SNA	D	

23. Front opc unit



Front opc unit parts list

SA : SERVICE AVAILABLE, SNA : SERVICE not AVAILABLE

Drawer#	SEC_Code	Description	QT'y	Service	Grade	Remark
0	JC97-03450A	MEA UNIT-FRONT-OPC	1	SA	A	
1	JC63-01366A	COVER-FRONT OPC	1	SNA	D	
2	JC66-01484A	LEVER RIGHT	1	SNA	D	
3	6107-001340	SPRING-TS	1	SNA	D	
4	JC66-01537A	GEAR-LEVER LINK	1	SNA	D	
5	6044-000231	RING-E	1	SA	A	
6	JC66-01525A	GEAR-COUPLING	1	SNA	D	
7	JC66-01518A	LEVER LEFT	1	SNA	D	
8	6107-001326	SPRING-TS	1	SNA	D	
9	JC66-01519A	LEVER-LINK	1	SNA	D	
10	JC66-01520A	LEVER SLIDE	2	SNA	D	
11	6107-001336	SPRING-CS	2	SNA	D	
12	JC61-02004A	HOLDER LEVER SLIDE	2	SNA	D	
13	6002-000440	SCREW-TAPTITE	30	SA	B	
14	JC61-02003A	HOLDER ICT SHAFT	1	SNA	D	
15	JC66-00979A	SHAFT-TERMINAL_16L	4	SNA	A	
16	6107-001332	SPRING-CS	4	SNA	D	
17	JC61-02706A	HOLDER-OPC COUPLING	4	SA	B	
18	JC61-02095A	HOLDER ITB	1	SNA	D	

Drawer#	SEC_Code	Description	QT'y	Service	Grade	Remark
19	JC61-02020A	HOLDER GUIDE FRAME	2	SNA	D	
20	JC61-02201A	STOPPER-LEVER LEFT	1	SNA	D	
21	JC61-02098A	SPRING-ETC SLIDE	3	SA	D	
22	6006-001078	SCREW-TAPTITE	12	SNA	B	
23	JC61-02203A	STOPPER-LEVER RIGHT	1	SNA	D	
24	JC61-02200A	STOPPER-LEVER MIDDLE	1	SNA	D	
25	JF72-41354A	PMO-GEAR PINION	2	SA	D	
26	JC61-02087A	BRACKET-COVER FRONT	1	SNA	D	
27	JC61-02088A	BRACKET-FRONT LEG	2	SNA	D	
28	JC66-01522A	LEVER OPC LARGE	1	SNA	D	
29	JC63-01486A	SHEET-LEVER	1	SNA	D	
30	JC61-02101A	GUIDE ITB SHUTTER	1	SNA	D	
31	JC61-02097A	SPRING-ETC ITB	1	SA	D	
32	JC61-02204A	BRACKET-HOLDER BAND	1	SA	D	
33	JC61-02202A	STOPPER-BAND BRACKET	1	SNA	D	
34	JC97-03161A	MEA UNIT-BAND	1	SNA	D	
35	JC96-04747A	ELA UNIT-COVER BAND	1	SA	A	
37	JC61-02552A	PLATE-HOLDER-GUIDE	1	SNA	D	
38	JC68-02170A	LABEL-INSTALLATION	2	NA	A	

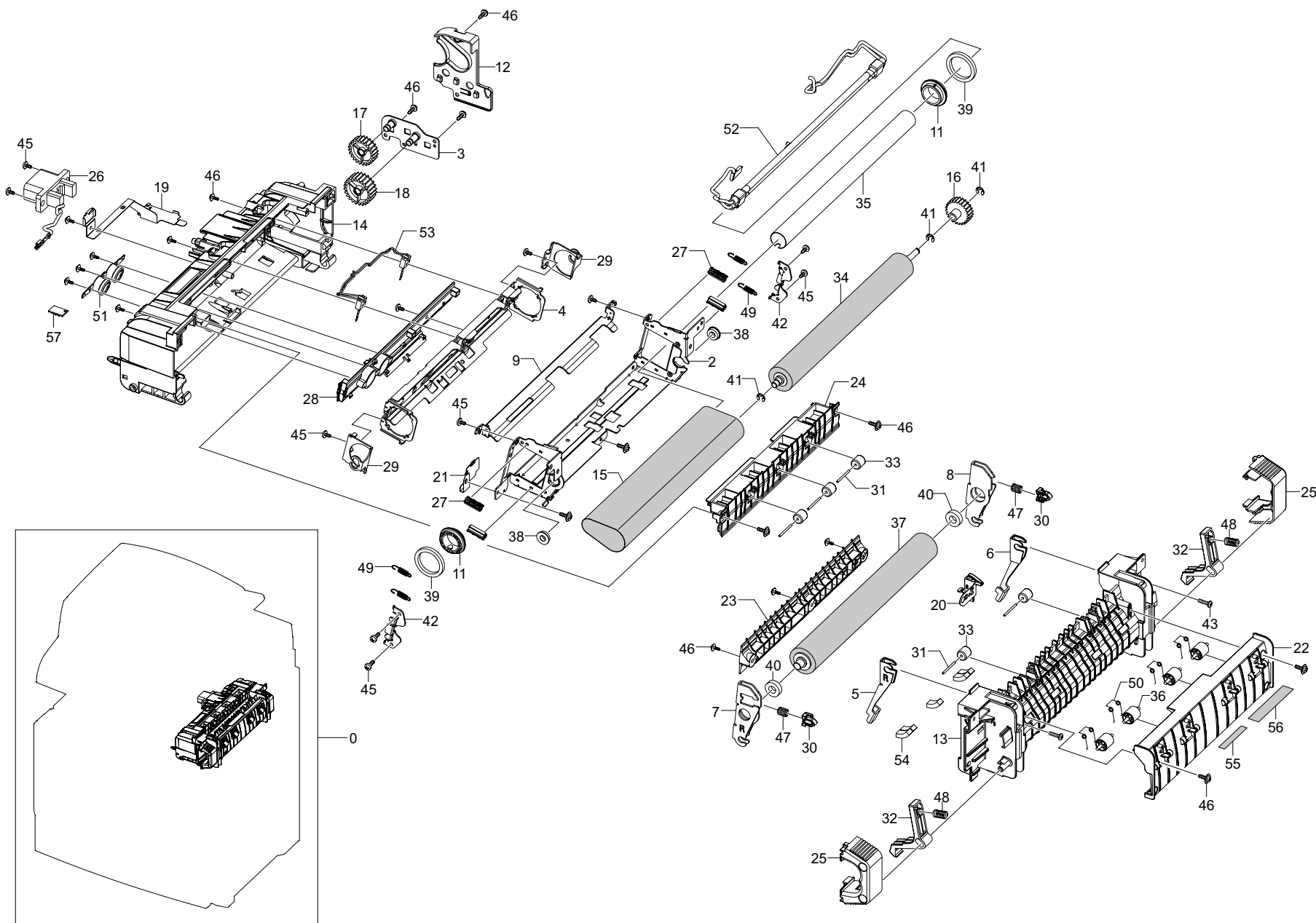
Exit ass'y parts list

SA : SERVICE AVAILABLE, SNA : SERVICE not AVAILABLE

Drawer#	SEC_Code	Description	QT'y	Service	Grade	Remark
0	JC96-04748A	ELA HOU-EXIT	1	SA	A	
1	JC61-01302A	GUIDE-M_EXIT LOWER	1	SNA	D	
2	0604-001095	PHOTO-INTERRUPTER	1	SA	A	
3	JC63-00821A	ABSORBER-DAMPER S	1	SNA	D	
4	JC66-01016A	ROLLER-EXIT_LOWER	1	SNA	A	
5	JC61-00424A	BUSH-4	2	SA	B	
6	6044-000159	RING-C	2	SA	B	
7	JC66-01018A	GEAR-M_EXIT LOWER	1	SA	D	
8	JC67-00122A	OTHER MECHA-M GATE DP	1	SA	D	
9	JC96-03749B	ELA HOU-SOLENOID DP	1	SA	A	
9-1	JC61-01332A	GUIDE RAIL-M LINK GATE	1	SNA	D	
9-2	JC61-70915A	SPRING ETC-SOLENOID DP	1	SA	A	
9-3	JC63-00820A	ABSORBER-DAMPER L	1	SNA	D	
9-4	JC33-00029A	SOLENOID-DUPLEX	1	SNA	A	
10	JC39-00704A	HARNESS-EXIT	1	SNA	D	
11	JC61-01303A	GUIDE-M_EXIT DUPLEX	1	SNA	D	
12	JC61-00423A	BUSH-6_D	6	SA	B	

Drawer#	SEC_Code	Description	QT'y	Service	Grade	Remark
13	6044-000125	RING-E	6	SA	A	
14	JC66-01014A	ROLLER-EXIT DRV	2	SNA	A	
15	JC67-00125A	BRUSH-EXIT	2	SA	D	
16	JC61-01301A	GUIDE-M_EXIT UPPER	1	SNA	D	
17	6107-001262	SPRING-TS	8	SNA	D	
18	JC66-01013A	ROLLER-M IDLE JF	8	SA	A	
19	JC70-00064A	IPR-PIN ROLLER EXIT	4	SNA	A	
20	JC66-01019A	ROLLER-M EXIT DP IDLE	4	SA	D	
21	JC66-01015A	ROLLER-EXIT UPPER	1	SNA	D	
22	JC66-01017A	GEAR-M_EXIT UPPER	1	SA	D	
23	JC61-01392A	HOLDER-M_ACT OUTBIN	1	SNA	D	
24	JC61-01391A	LEG-M LIMIT STACKING	1	SA	A	
25	JC61-01393A	BRACKET-P-EXIT	1	SNA	A	
26	JC66-01012A	GEAR-M_EXIT	3	SA	D	
27	6003-000196	SCREW-TAPTITE	15	SA	B	
28	6003-000269	SCREW-TAPTITE	2	SA	B	

25. Fuser_LV unit



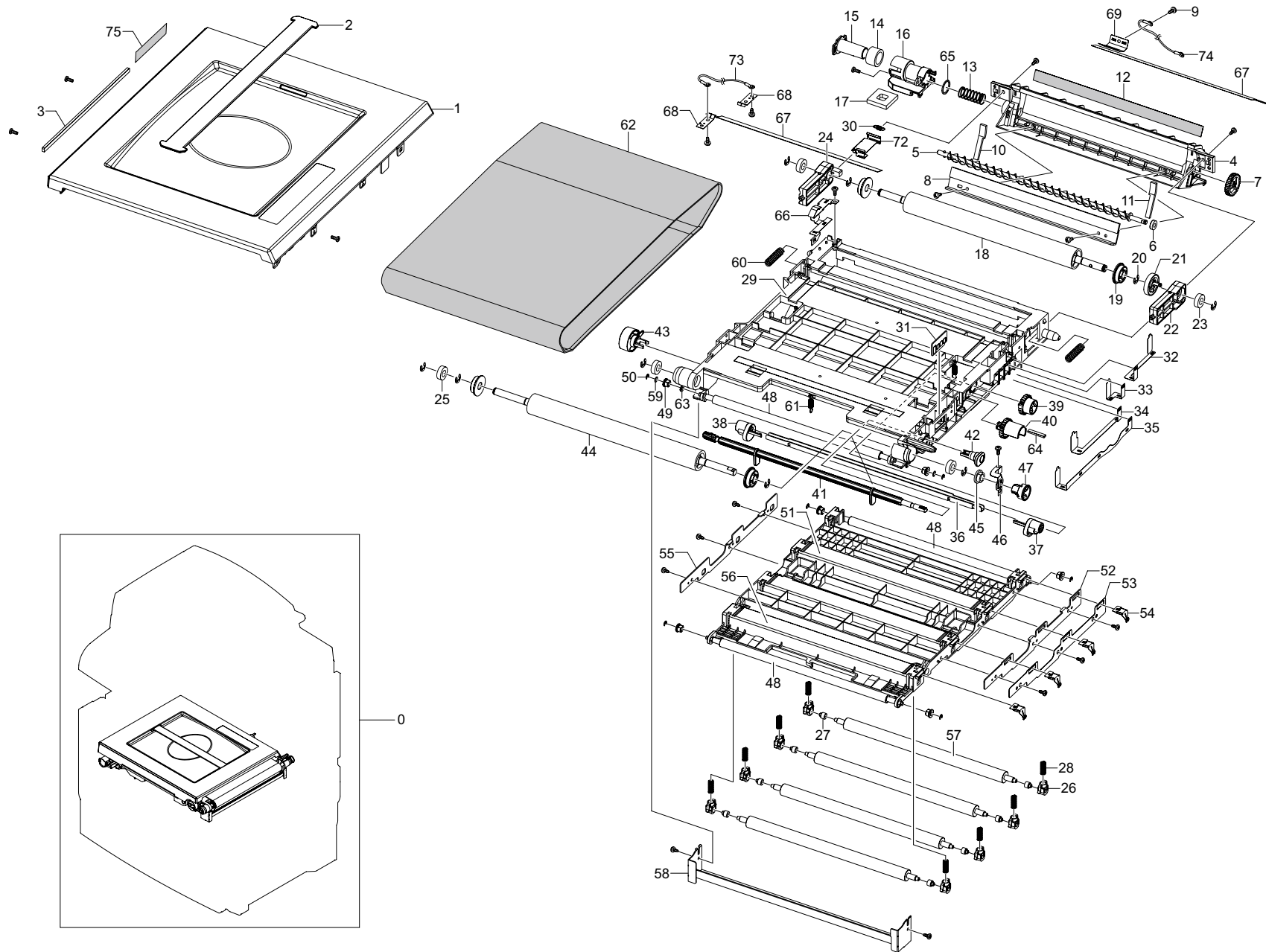
Fuser_LV unit parts list

SA : SERVICE AVAILABLE, SNA : SERVICE not AVAILABLE

Drawer#	SEC_Code	Description	QT'y	Service	Grade	Remark
0	JC96-04867A	ELA UNIT-FUSER LV	1	SA	A	110V
0	JC96-04868A	ELA UNIT-FUSER HV	1	SA	A	220V
2	JC61-01990A	BRACKET-FUSER	1	SNA	D	
3	JC61-01992A	BRACKET-GEAR_FUSER	1	SNA	D	
4	JC61-01991A	BRACKET-HR	1	SNA	D	
5	JC61-01993A	BRACKET-LEVER_FRONT	1	SNA	D	
6	JC61-01994A	BRACKET-LEVER_REAR	1	SNA	D	
7	JC61-01995A	BRACKET-PR_FRONT	1	SNA	D	
8	JC61-01996A	BRACKET-PR_REAR	1	SNA	D	
9	JC61-01989A	BRACKET-SUPPORT	1	SNA	D	
11	JC61-01928A	BUSH-HR	2	SNA	A	
12	JC63-01443A	COVER-DRIVE FUSER	1	SNA	D	
13	JC63-01442A	COVER-FUSER_LOWER	1	SNA	D	
14	JC63-01441A	COVER-FUSER_UPPER	1	SNA	D	
15	JC66-01413B	DRUM-FUSER_BELT	1	SA	B	
16	JC66-01405A	GEAR-FUSER	1	SA	D	
17	JC66-01485A	GEAR-IDLE A	1	SNA	D	
18	JC66-01486A	GEAR-IDLE B	1	SNA	D	
19	JC63-01352A	GROUND-FUSER_BIAS	1	SNA	D	
20	JC63-01351A	GROUND-PR	1	SNA	D	
21	JC63-01350A	GROUND-UPPER	1	SNA	D	
22	JC61-02136A	GUIDE-FUSER_DP	1	SNA	D	
23	JC61-02134A	GUIDE-INPUT	1	SNA	D	
24	JC61-02135A	GUIDE-OUTPUT UPPER	1	SNA	D	
25	JC64-00318A	HANDLE-FUSER	2	SNA	D	
26	JC39-00747A	HARNES-FUSER FU	1	SA	D	
27	JC61-01931A	HOLDER-BRACKET	4	SNA	A	
28	JC61-02063A	HOLDER-HARNES	1	SNA	D	
29	JC61-01920A	HOLDER-LAMP	2	SNA	A	

Drawer#	SEC_Code	Description	QT'y	Service	Grade	Remark
30	JC61-02064A	HOLDER-PRESSING	2	SNA	D	
31	JC70-00064A	IPR-PIN ROLLER EXIT	5	SNA	A	
32	JC64-00323A	LOCKER-FUSER	2	SNA	D	
33	JC72-20902A	PEX-ROLLER F/UP(2)	5	SA	A	
34	JC66-01410B	ROLLER-FUSER	1	SA	D	
35	JC66-01411A	ROLLER-HEAT	1	SA	B	
36	JC66-00764A	ROLLER-IDLE FEED	4	SA	D	
37	JC66-01412A	ROLLER-PRESSURE	1	SA	B	
38	6601-001478	BEARING-BALL	2	SNA	B	
39	6601-001479	BEARING-BALL	2	SA	A	
40	6601-001341	BEARING-BALL	2	SA	A	
41	6044-000125	RING-E	1	SA	A	
42	JC61-02560A	BRACKET-HOLDER_HR	2	SNA	D	
43	6003-001086	SCREW-TAPTITE	2	SA	D	
44	6002-000440	SCREW-TAPPING	3	SA	B	
45	6003-000269	SCREW-TAPTITE	9	SA	B	
46	6003-000196	SCREW-TAPTITE	17	SA	B	
47	6107-001353	SPRING-CS	2	SNA	D	
48	6107-001172	SPRING-CS	2	SA	A	
49	6107-001324	SPRING-ES	4	SA	D	
50	6107-001262	SPRING-TS	4	SNA	D	
51	4712-001028	THERMOSTAT	1	SA	A	
52	4713-001224	LAMP-HALOGEN	1	SA	D	110V
52	4713-001225	LAMP-HALOGEN	1	SA	D	220V
53	1404-001355	THERMISTOR-NTC ASS'Y	1	SA	A	
54	JC63-00903B	FELT-CLEAN TONER	1	SNA	D	
55	JC68-01134A	LABEL(P)-BLANK(FUSER)	1	SNA	A	
56	JC68-01581B	LABEL-CAUTION	1	SNA	A	
57	JC92-02012A	PBA-FUSER_CRUM	1	SNA	D	

26. Cartridge_transfer



Cartridge_transfer parts list

SA : SERVICE AVAILABLE, SNA : SERVICE not AVAILABLE

Drawer#	SEC_Code	Description	QT'y	Service	Grade	Remark
0	JC96-04601A	CARTRIDGE-TRANSFER	1	SA	A	
1	JC63-01349A	COVER-TOP ITB	1	SNA	D	
2	JC64-00321A	HANDLE-TOP ITB	1	SNA	D	
3	JC64-00319A	DECORATION-FRONT	1	SNA	D	
4	JC61-02099A	FRAME-CLEANING ITB	1	SNA	D	
5	JC66-01455A	WHEEL-AUGER OPC	1	SNA	D	
6	JC62-00207A	SEAL-AUGER TONER	1	SNA	A	
7	JC66-01480A	GEAR-CLEANING ITB	1	SA	D	
8	JC97-02935A	MEA UNIT-BLADE ITB	1	SA	A	
9	6003-000282	SCREW-TAPTITE	12	SA	D	
10	JC62-00379A	SEAL-SIDE CLEANING F	1	SNA	D	
11	JC62-00381A	SEAL-SIDE CLEANING R	1	SNA	D	
12	JC62-00383A	SEAL-FILM CLEANING	1	SNA	D	
13	6107-001331	SPRING-CS	1	SNA	D	
14	JC72-01479A	SPONGE WASTE INNER	1	SNA	A	
15	JC64-00322A	SHUTTER-WASTE ITB	1	SNA	D	
16	JC64-00316A	SHUTTER-CASE ITB	1	SNA	D	
17	JC62-00380A	SEAL-WASTE CLEANING	1	SNA	D	
18	JC66-01514A	ROLLER-TENSION ITB	1	SNA	D	
19	JC60-00029A	FLANGE-DRIVE ITB	4	SNA	D	
20	6044-000231	RING-E	7	SA	A	
21	JC66-01479A	GEAR-TENSION ITB	1	SA	D	
22	JC61-02050A	HOLDER-TENSION REAR	1	SNA	D	
23	6601-001341	BEARING-BALL	4	SA	A	
24	JC61-02049A	HOLDER-TENSION FRONT	1	SNA	D	
25	6601-001581	BEARING-BALL	1	SNA	A	
26	JC61-02048A	HOLDER-ROLL TRANSFER	10	SNA	D	
27	JC70-50901A	IPR-IPM BUSHING DEV R	10	SNA	B	
28	6107-001329	SPRING-CS	10	SNA	D	
29	JC61-02084A	FRAME-BASE ITB	1	SNA	D	

Drawer#	SEC_Code	Description	QT'y	Service	Grade	Remark
30	6107-001505	SPRING-ES	1	SNA	A	
31	JC92-02076A	PBA SUB-ITB CRUM	1	SNA	B	
32	JC61-02056A	PLATE-HV TR_Y	1	SNA	D	
33	JC61-02054A	PLATE-HV TR_M	1	SNA	D	
34	JC61-02053A	PLATE-HV TR_C	1	SNA	D	
35	JC61-02052A	PLATE-HV TR_BK	1	SNA	D	
36	JC66-01481A	SHAFT-CAM LEFT ITB	1	SNA	D	
37	JC66-01472A	CAM-LEFT R	1	SNA	D	
38	JC66-01471A	CAM-LEFT F	1	SNA	D	
39	JC67-00233A	COUPLER-TR	1	SNA	D	
40	JC66-01478A	GEAR-SENSOR ITB	1	SA	D	
41	JC66-01482A	SHAFT-CAM RIGHT ITB	1	SNA	D	
42	JC61-01982A	STOPPER-CAM	1	SNA	D	
43	JC64-00320A	HANDLE-CAM RIGHT ITB	1	SNA	D	
44	JC66-01511A	ROLLER-DRIVE ITB	1	SNA	D	
45	JC61-00426A	BUSH-8/5	1	SA	D	
46	JC61-02051A	PLATE-GND DRIVE ITB	1	SNA	D	
47	JC67-00229A	COUPLER-DRIVE ITB	1	SNA	D	
48	JC66-01512A	ROLLER-GUIDE ITB	3	SNA	D	
49	JC61-00424A	BUSH-4	6	SA	B	
50	6044-000107	RING-C	6	SNA	A	
51	JC61-02085A	FRAME-TR LEFT ITB	1	SNA	D	
52	JC61-02176A	BRACKET-FRAME TR_R	1	SNA	D	
53	JC63-01499A	SHEET-FRAME TR_R	1	SNA	D	
54	JC61-02055A	PLATE-HV TR ROLL	1	SNA	D	
55	JC61-02142A	BRACKET-FRAME TR LEFT	1	SNA	D	
56	JC61-02086A	FRAME-TR RIGHT ITB	1	SNA	D	
57	JC66-01513A	ROLLER-TRANSFER ITB	4	SNA	D	
58	JC61-02131A	GUIDE-RAIL RIGHT ITB	1	SNA	D	
59	6031-001051	WASHER-PLAIN	2	SNA	B	

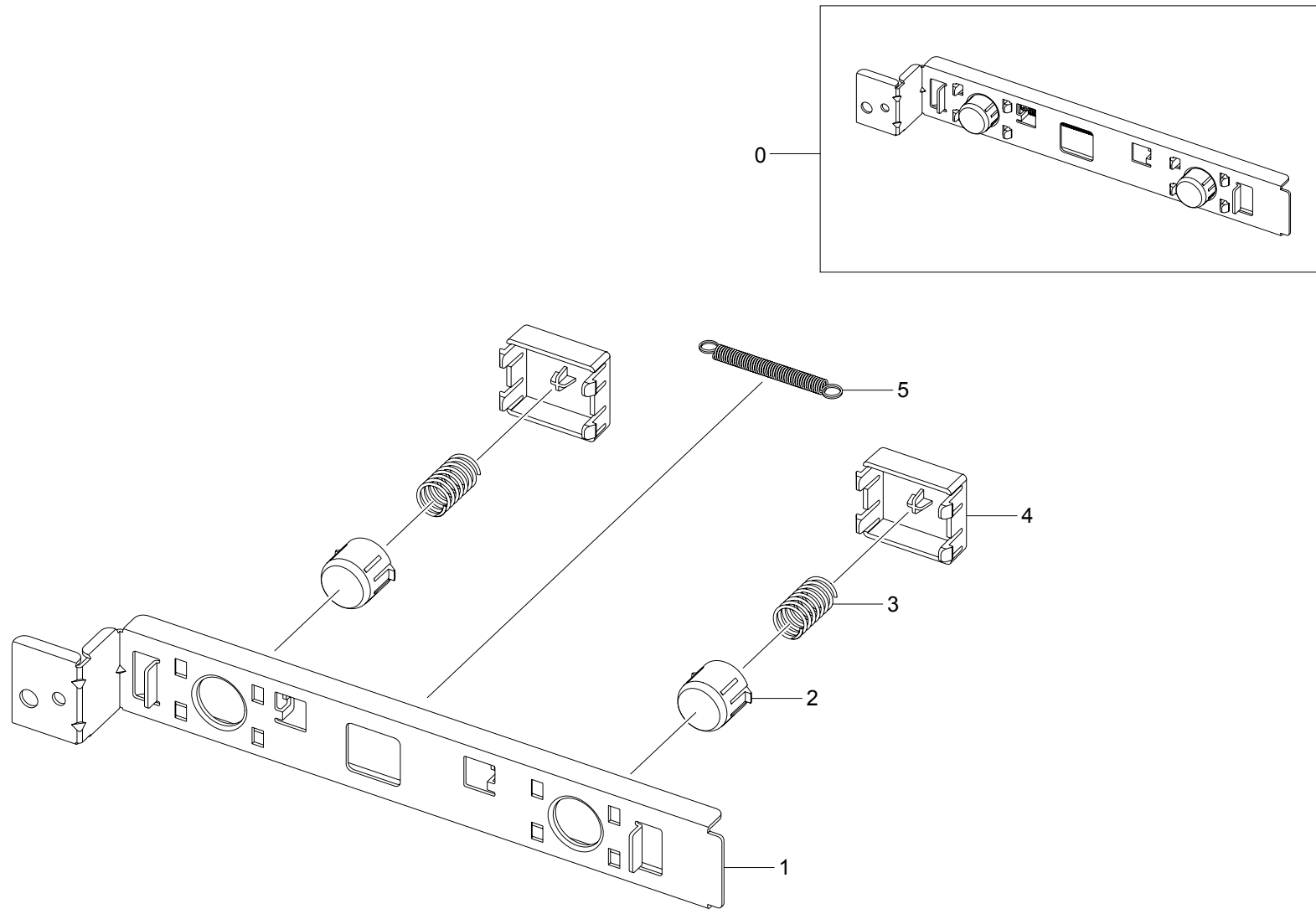
Cartridge_transfer parts list

SA : SERVICE AVAILABLE, SNA : SERVICE not AVAILABLE

Drawer#	SEC_Code	Description	QT'y	Service	Grade	Remark
60	6107-001333	SPRING-CS	2	SNA	D	
61	JC61-70928A	SPRING ETC-DEV_R	3	DNA	A	
62	JC66-01473A	DRUM-ITB BELT	1	SNA	D	
63	JC62-00472A	SEAL-GUIDE ROLL	2	SNA	D	
64	JC62-00411A	SEAL-CHAMBER SLIT	1	SNA	D	
65	JC62-00471A	SEAL-CLEANING CASE	1	SNA	D	
66	JC61-02554A	PLATE-FRAME-BASE	1	SNA	D	
67	JC67-00065A	BRUSH-ANTISTATIC	2	SNA	D	

Drawer#	SEC_Code	Description	QT'y	Service	Grade	Remark
68	JC61-02553A	PLATE-COVER-TOP	2	SNA	D	
69	JC61-02555A	PLATE-CLEANING	1	SNA	D	
70	JC62-00498A	SEAL-BLOCK-BRACKET	1	SNA	D	
71	JC62-00497A	SEAL-BLOCK-BLADE	2	SNA	D	
72	JC64-00407A	SHUTTER-ITB-LOWER	1	SNA	D	
73	JC39-00114A	CBF HARNESS-BRUSH GND	1	SA	D	
74	JC39-00509A	CBF HARNESS-GND ZENER	1	SA	B	
75	JC68-10914D	LABEL(P)-SERIAL NO	1	SNA	B	

27. Pusher_LSU



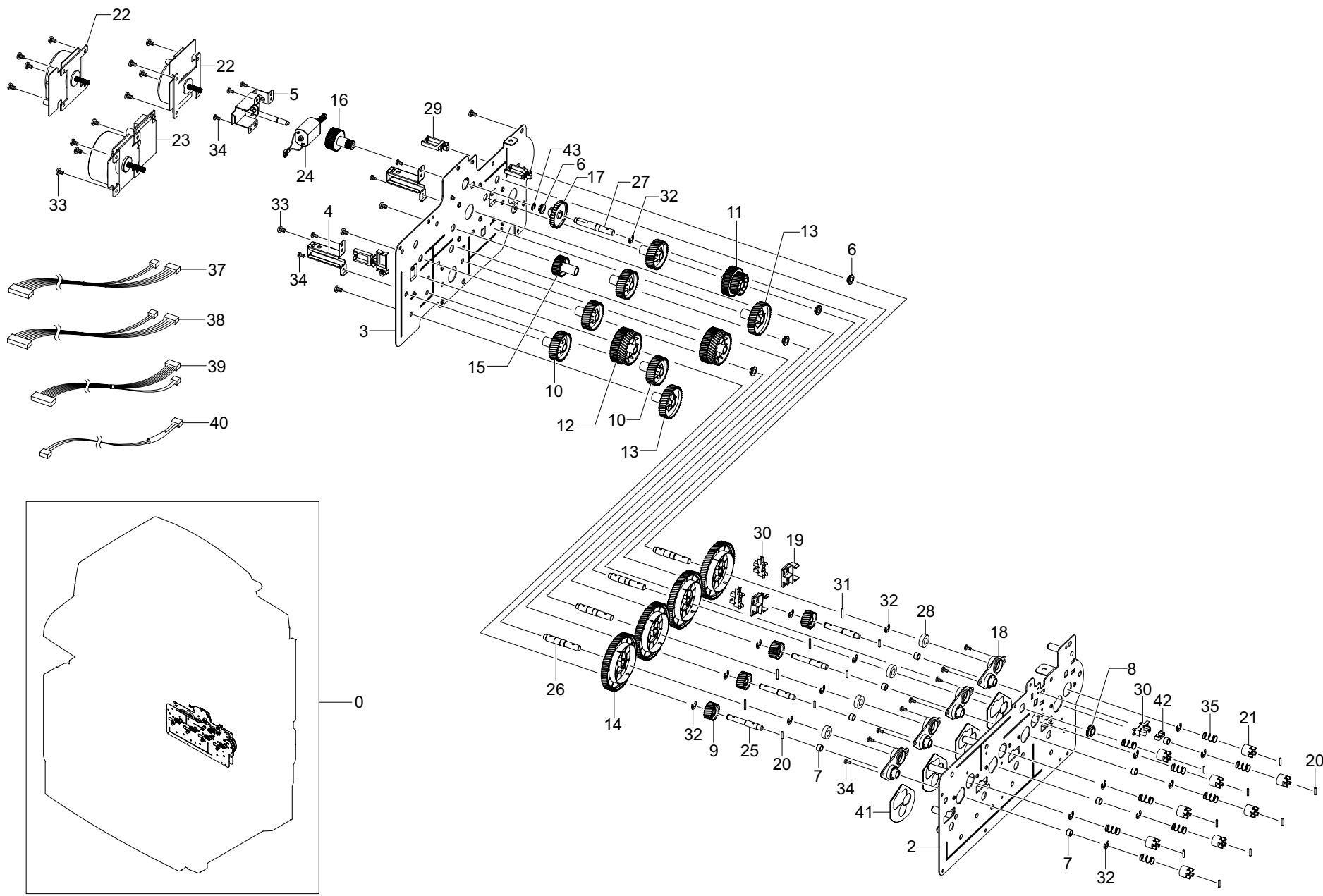
Pusher_LSU parts list

SA : SERVICE AVAILABLE, SNA : SERVICE not AVAILABLE

Drawer#	SEC_Code	Description	QT'y	Service	Grade	Remark
0	JC96-04547A	ELA UNIT-PUSHER LSU	1	SA	A	
1	JC61-02147A	BRACKET-PUSHER LSU	1	SA	D	
2	JC72-01215A	PMO-COVER DEV SPRING CAP	2	SA	D	

Drawer#	SEC_Code	Description	QT'y	Service	Grade	Remark
3	6107-001198	SPRING-CS	2	SNA	A	
4	JC61-02032A	HOUSING-CAP SPRING	2	SA	D	
5	6107-001258	SPRING-ES	1	SA	A	

28. DEVE drive



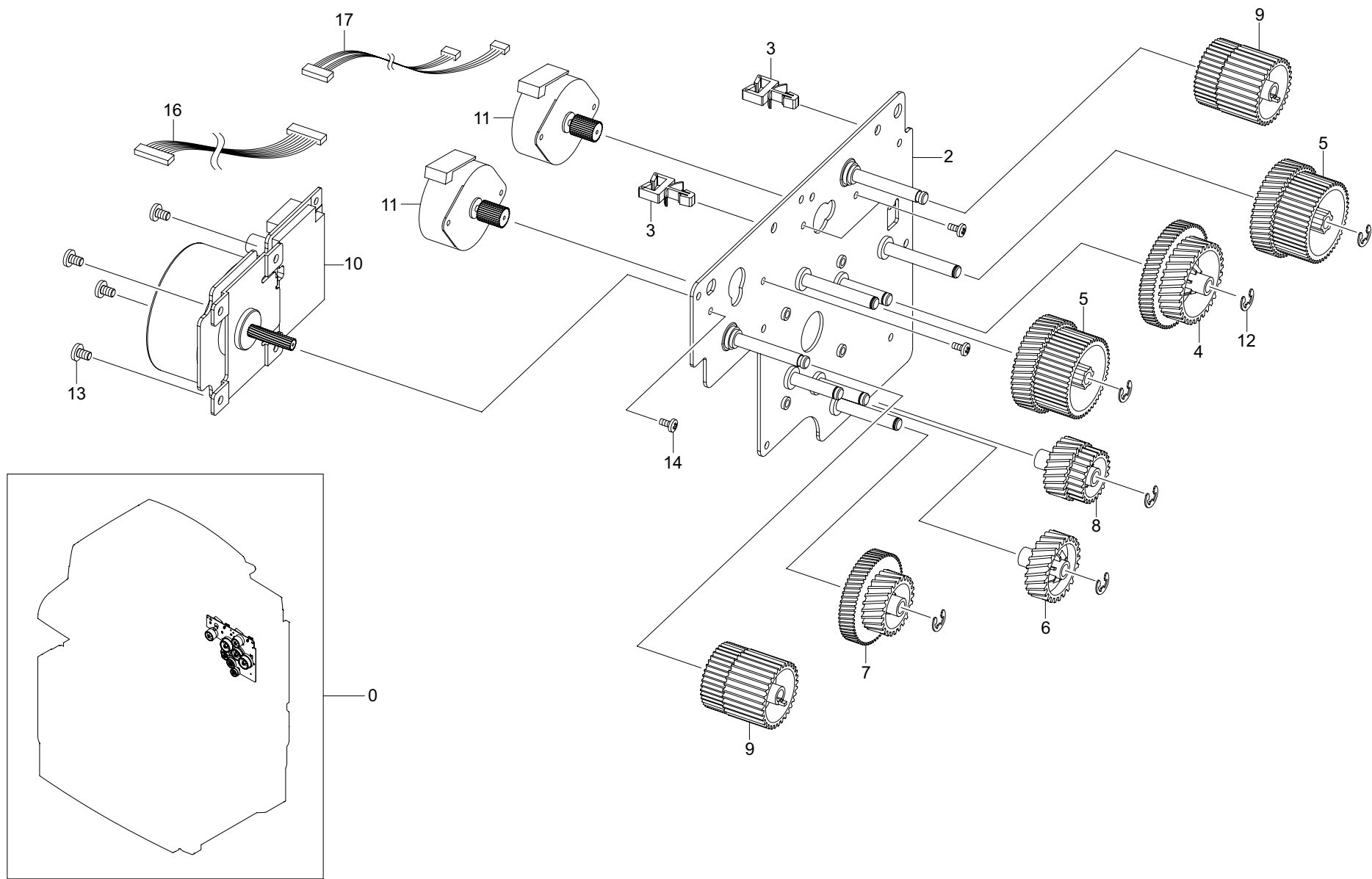
DEVE drive parts list

SA : SERVICE AVAILABLE, SNA : SERVICE not AVAILABLE

Drawer#	SEC_Code	Description	QT'y	Service	Grade	Remark
0	JC93-00098A	DRIVE-DEVE	1	SA	A	
2	JC61-02040A	BRACKET-DEVE FRONT	1	SA	D	
3	JC61-02043A	BRACKET-DEVE REAR	1	SA	D	
4	JC61-02093A	BRACKET-SHIELD SMPS	2	SA	D	
5	JC61-02041A	BRACKET-T1 ENGAGE	1	SA	D	
6	JC61-00699A	BUSH-D6/L4	5	SA	A	
7	JC61-01428A	BUSH-DRY	8	SA	A	
8	JC61-00984A	BUSH-M-D8 L5	1	A	A	
9	JC66-01496A	GEAR-DEVE DRIVE	4	SA	D	
10	JC66-01495A	GEAR-DEVE IDLE	5	SA	D	
11	JC66-01494A	GEAR-DEVE RDCN BK	1	SA	D	
12	JC66-01497A	GEAR-DEVE RDCN COLOR	2	SA	D	
13	JC66-00473B	GEAR-M-DEVE IDLE Z51	2	SA	A	
14	JC66-01492A	GEAR-OPC DRIVE	4	SA	D	
15	JC66-01493A	GEAR-OPC IDLE	1	SA	D	
16	JC66-01503A	GEAR-TR ITB ENGAGE A	1	SA	D	
17	JC66-01498A	GEAR-TR ITB ENGAGE B	1	SA	D	
18	JC61-02007A	HOLDER-COUPLING DEVE	4	SA	D	
19	JC61-02006A	HOLDER-SENSOR GEAR	2	SA	D	
20	JB70-00168A	ICT-PIN ADF	9	SA	A	
21	JC66-01452A	JOINT-COUPLING OPC	5	SA	D	
22	JC31-00090A	MOTOR BLDC	2	SA	A	

Drawer#	SEC_Code	Description	QT'y	Service	Grade	Remark
23	JC31-00074A	MOTOR BLDC	1	SA	D	
24	JC31-00078A	MOTOR DC	1	SA	A	
25	JC66-01460A	SHAFT-DEVE DRIVE	4	SA	D	
26	JC66-02439A	SHAFT-OPC DRIVE	4	SA	D	
27	JC66-01461A	SHAFT-T1 ENGAGE DRIVE	1	SA	D	
28	6601-001341	BEARING-BALL	4	SA	A	
29	6502-001093	CABLE CLAMP	5	SA	A	
30	0604-001095	PHOTO-INTERRUPTER	3	SA	A	
31	6043-001115	PIN-PARALLEL(KEY)	4	SNA	D	
32	6044-000231	RING-E	17	SA	A	
33	6003-000301	SCREW-TAPTITE	17	SNA	D	
34	6003-000269	SCREW-TAPTITE	16	SA	B	
35	6107-001334	SPRING-CS	9	SA	D	
37	JC39-00688A	HARNESS-BLDC BK	1	SNA	D	
38	JC39-00689A	HARNESS-BLDC DEV	1	SNA	D	
39	JC39-00690A	HARNESS-BLDC OPC	1	SNA	D	
40	JC39-00710A	HARNESS-SENS T1 ENGA	1	SNA	D	
41	JC72-01428A	SPONGE-BRACKET DEVE	4	SNA	D	
42	JC01-00024A	FILM-SENSOR TR	2	SNA	D	
43	6044-000125	RING-E	1	SA	A	
44	JC67-00424A	COUPLER-OPC DRIVE	4	SA	D	
45	JC61-03511A	HOLDER-COUPLER OPC	4	SA	D	

29. Fuser drive



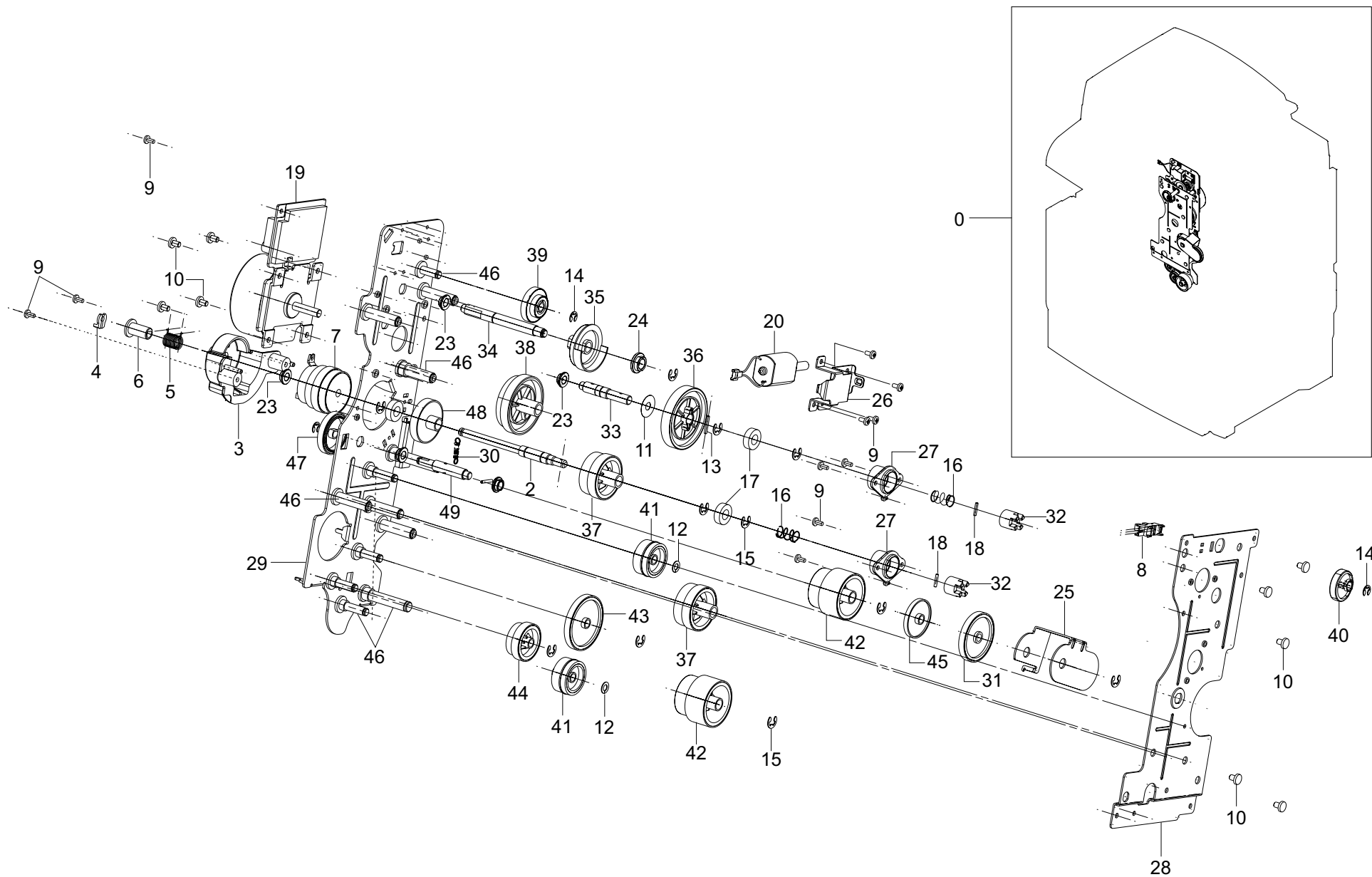
Fuser drive parts list

SA : SERVICE AVAILABLE, SNA : SERVICE not AVAILABLE

Drawer#	SEC_Code	Description	QT'y	Service	Grade	Remark
0	JC96-04568A	ELA UNIT-DRIVE FUSER	1	SA	A	
2	JC61-02042A	BRACKET-FUSER DRIVE	1	SA	D	
3	6502-000132	CABLE CLAMP	2	SA	D	
4	JC66-01571A	GEAR-EXIT RDCN A	1	SA	D	
5	JC66-01572A	GEAR-EXIT RDCN B	2	SA	D	
6	JC66-01570A	GEAR-FUSER IDLE	1	SA	D	
7	JC66-01569A	GEAR-FUSER RDCN A	1	SA	D	
8	JC66-01499A	GEAR-FUSER RDCN B	1	SA	D	

Drawer#	SEC_Code	Description	QT'y	Service	Grade	Remark
9	JC66-00997A	GEAR-M_EXIT IDLE C	2	SA	D	
10	JC31-00074A	MOTOR BLDC	1	SA	D	
11	JC31-00077A	MOTOR STEP	2	SNA	A	
12	6044-000231	RING-E	6	SA	A	
13	6003-000301	SCREW-TAPTITE	4	SNA	D	
14	6003-000269	SCREW-TAPTITE	4	SA	B	
16	JC39-00693A	HARNESS-MOT_STEP	1	SNA	D	
17	6003-000269	HARNESS-BLDC FUSER	1	SA	B	

30. Main drive



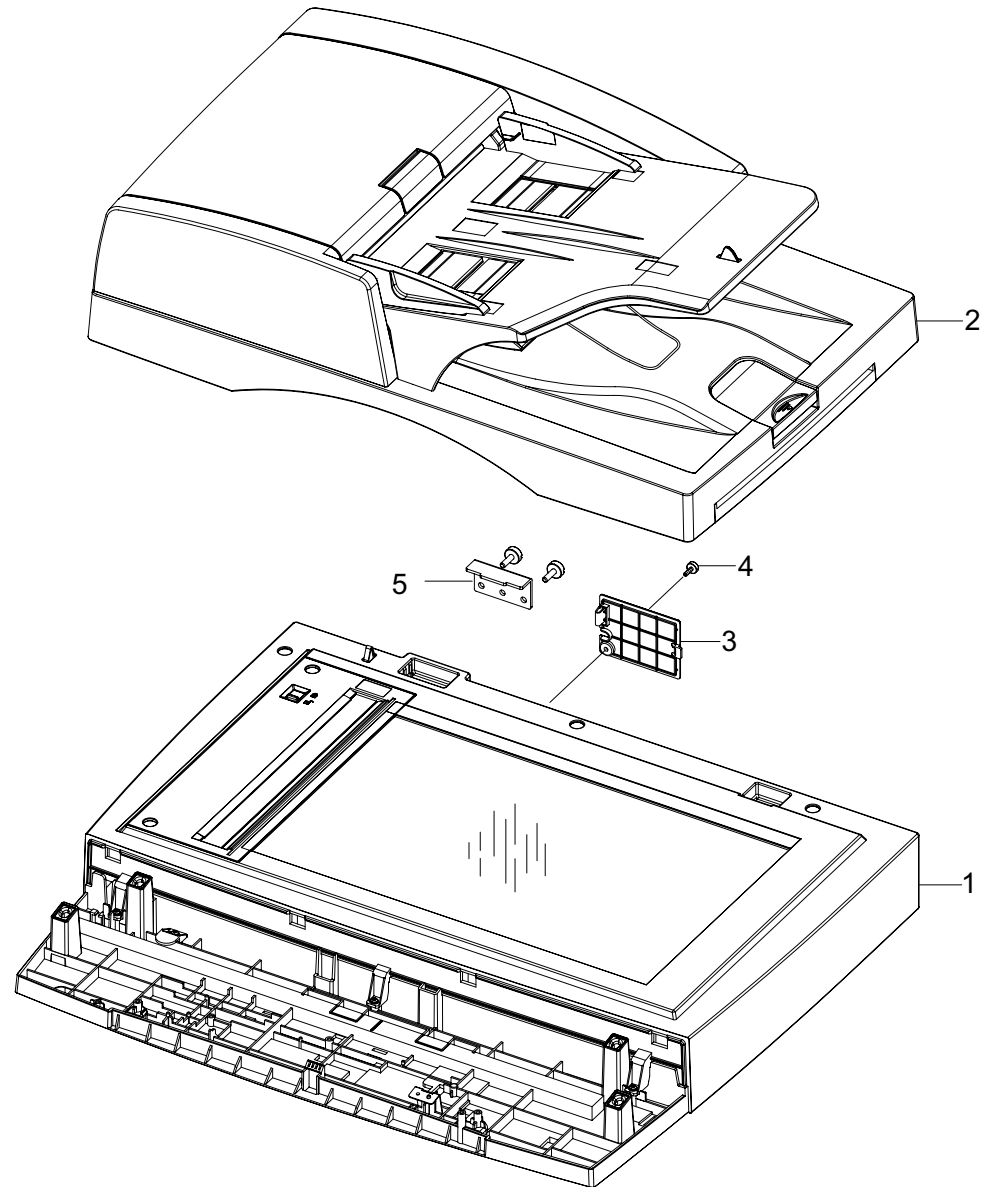
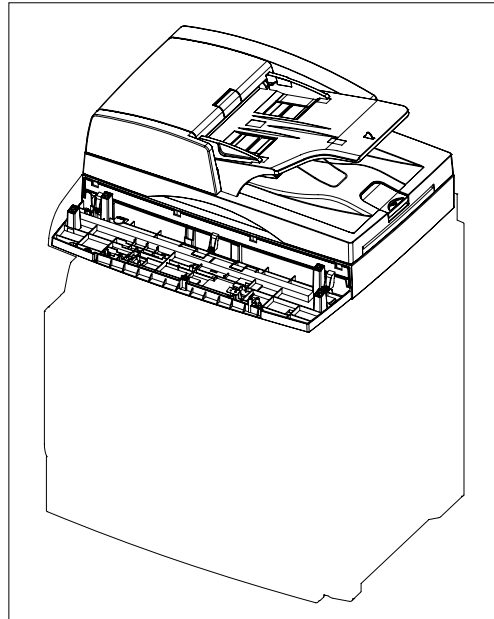
Main drive parts list

SA : SERVICE AVAILABLE, SNA : SERVICE not AVAILABLE

Drawer#	SEC_Code	Description	QT'y	Service	Grade	Remark
0	JC93-00099A	DRIVE MAIN	1	SA	A	
2	JC66-02431A	SHAFT-REGI DRIVE	1	SA	D	
3	JC61-03508A	HOLDER-SHAFT REGI	1	SA	D	
4	JC61-01367A	FIXER-M_E RING 4PI	1	SA	D	
5	6107-001375	SPRING-TS	1	SA	D	
6	JC61-02256A	HOLDER-SPRING CLUTCH	1	SA	D	
7	JC66-00994A	CLUTCH-5K Z32	1	SA	B	
8	0604-001095	PHOTO-INTERRUPTER	1	SA	A	
9	6003-000269	SCREW-TAPTITE	11	SA	B	
10	6003-000301	SCREW-TAPTITE	9	SNA	D	
11	6031-001002	WASHER-PLAIN	1	SNA	A	
12	6031-001255	WASHER-PLAIN	2	SA	B	
13	6043-001115	PIN-PARALLEL(KEY)	2	SNA	D	
14	6044-000125	RING-E	3	SA	A	
15	6044-000231	RING-E	11	SA	A	
16	6107-001334	SPRING-CS	2	SA	D	
17	6601-001341	BEARING-BALL	3	SA	A	
18	JB70-00168A	ICT-PIN ADF	2	SA	A	
19	JC31-00074A	MOTOR BLDC	1	SA	D	
20	JC31-00078A	MOTOR DC	1	SA	A	
21	JC39-00691A	HARNESS-BLDC ITB&T2	1	SA	D	
22	JC39-00732A	HARNESS-MESH GND	1	SA	D	
23	JC61-00699A	BUSH-D6/L4	5	SA	A	
24	JC61-00984A	BUSH-M-D6 L5	1	A	A	
25	JC61-01369A	BRACKET-P-DPX SWING	1	SNA	A	

Drawer#	SEC_Code	Description	QT'y	Service	Grade	Remark
26	JC61-01370A	BRACKET-P-TONER MOTOR	1	SNA	A	
27	JC61-02005A	HOLDER-COUPLING ITB	2	SA	D	
28	JC61-02038A	BRACKET-MAIN DRIVE FR	1	SA	D	
29	JC61-02039A	BRACKET-MAIN DRIVE RR	1	SA	D	
30	JC61-70950A	SPRING ETC-EXTENSION	1	SA	A	
31	JC66-00991A	GEAR-M_DUPLEX IDLE	1	SA	D	
32	JC66-01452A	JOINT-COUPLING OPC	2	SA	D	
33	JC66-01457A	SHAFT-ITB DRIVE	1	SA	D	
34	JC66-01458A	SHAFT-T2 ENGAGE DRIVE	1	SA	D	
35	JC66-01488A	GEAR-TR ENGAGE B	1	SA	D	
36	JC66-01489A	GEAR-ITB DRIVE	1	SA	D	
37	JC66-01490A	GEAR-FEED IDLE	2	SA	D	
38	JC66-01491A	GEAR-REGI RDCN	1	SA	D	
39	JC66-01502A	GEAR-TR ENGAGE A	1	SA	D	
40	JC66-01532A	CAM-TR ENGAGE	1	SA	D	
41	JC66-01642A	GEAR-MP RDCN A	2	SA	D	
42	JC66-01643A	GEAR-MP RDCN B	2	SA	D	
43	JC66-01644A	GEAR-FEED IDLE B	1	SA	D	
44	JC66-01645A	GEAR-PICKUP RDCN A	1	SA	D	
45	JC67-00116A	OTHER MECHA-M COLLAR DR	1	SNA	D	
46	0205-001080	GREASE-BEARING	5.4	SNA	D	
47	JC66-00974A	GEAR-M FORWARD	1	SNA	D	
48	JC66-02543A	GEAR-REGI IDLE R	1	SNA	D	
49	JC66-02544A	SHAFT-FEED DRIVE R	1	SNA	D	

31. Scanner ass'y



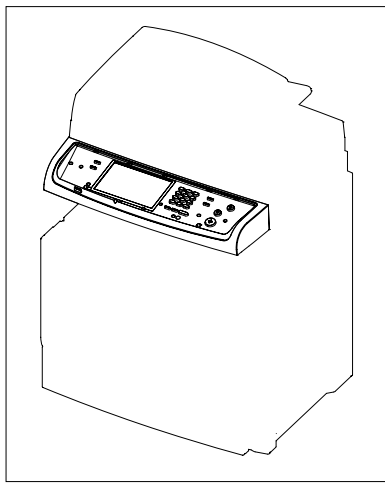
Scanner ass'y parts list

SA : SERVICE AVAILABLE, SNA : SERVICE not AVAILABLE

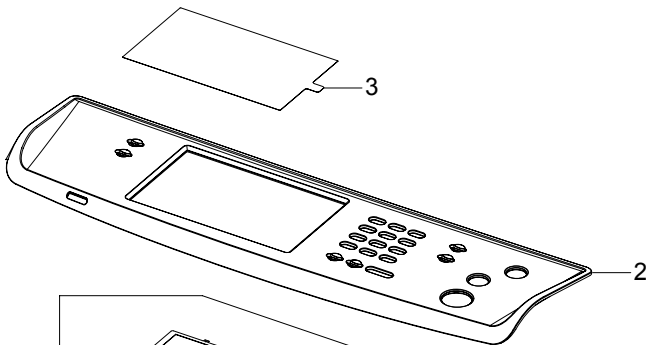
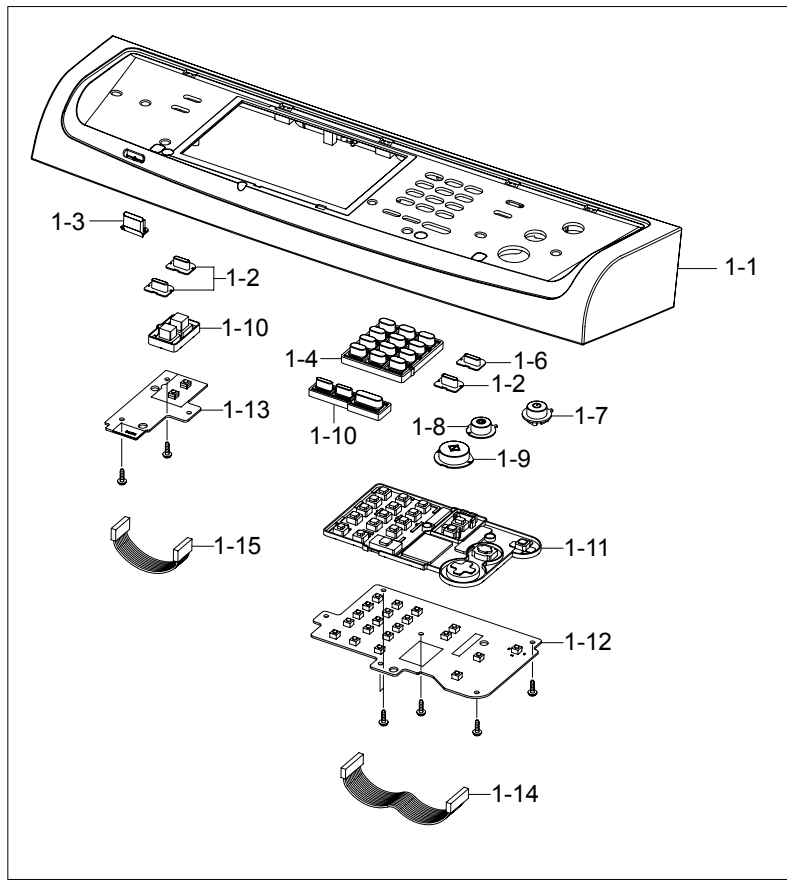
Drawer#	SEC_Code	Description	QT'y	Service	Grade	Remark
0	JC96-04550A	ELA UNIT-SCANNER	1	SA	A	
1	JC96-04577A	ELA UNIT-PLATEN	1	SNA	A	
2	JC96-04855A	ELA HOU-DADF	1	SA	A	

Drawer#	SEC_Code	Description	QT'y	Service	Grade	Remark
3	JC63-00765B	COVER CONNECTOR	1	SA	D	
4	6009-001390	SCREW-SPECIAL	1	SA	D	
5	JC61-02814A	BRACKET-STOPPER	1	SA	D	

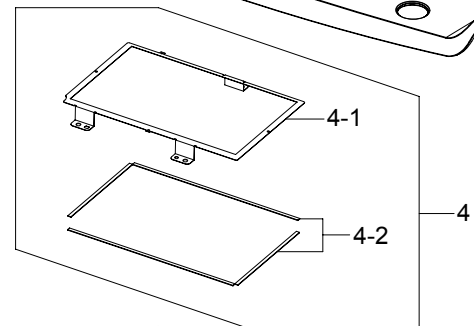
32. OPE unit



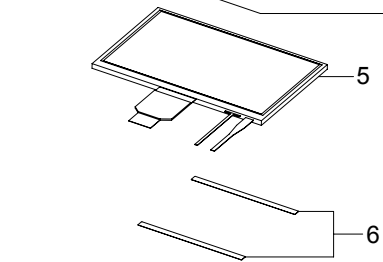
0



2

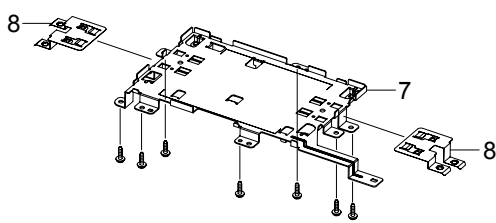


4



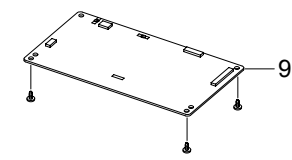
5

6



7

8



9

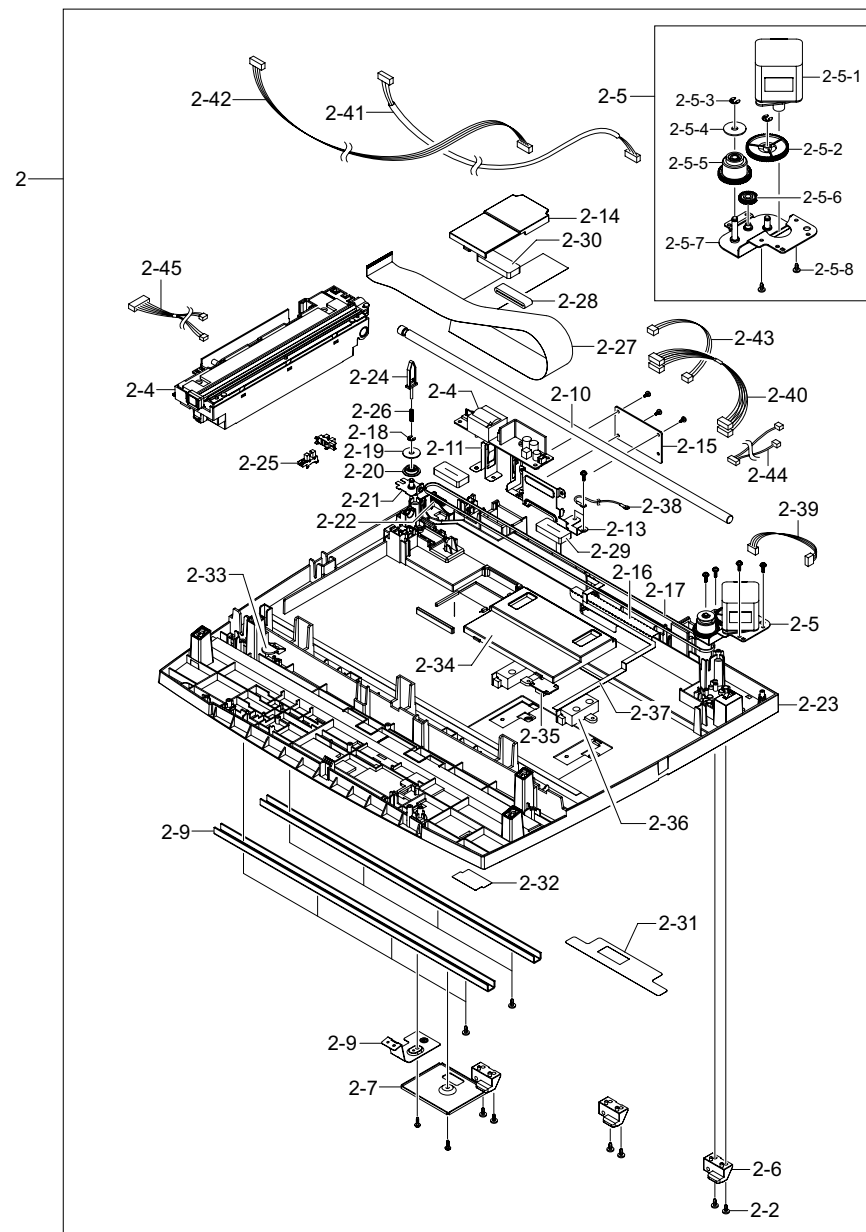
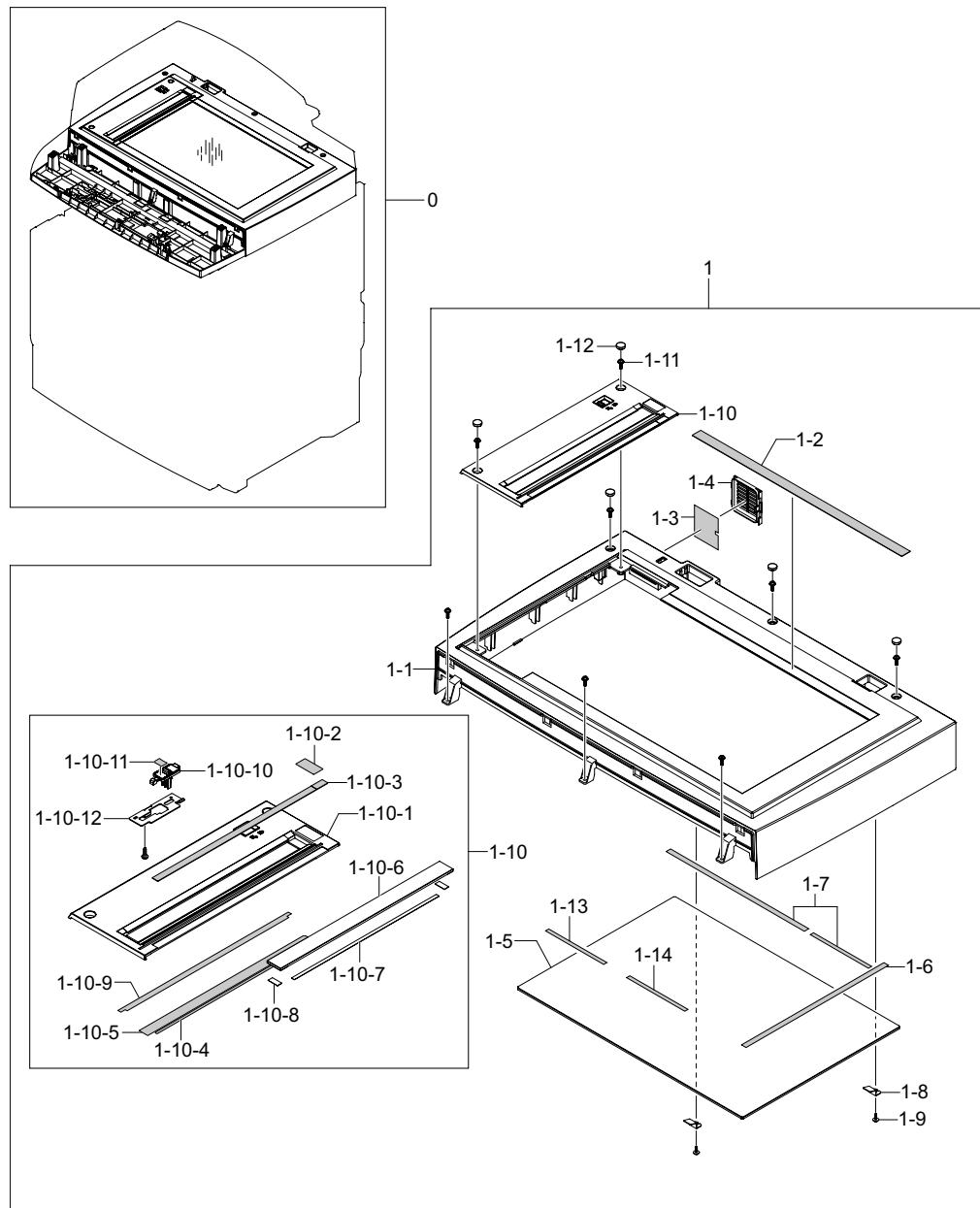
OPE unit parts list

SA : SERVICE AVAILABLE, SNA : SERVICE not AVAILABLE

Drawer#	SEC_Code	Description	QT'y	Service	Grade	Remark
0	JC96-04666A	ELA HOU-OPE	1	SA	A	
1	JC96-04667A	ELA HOU-OPE COVER	1	SA	A	
1-1	JC63-01455A	COVER_M_OPE	1	SNA	D	
1-2	JC64-00287A	KEY-JOB_STATUS	3	SA	D	
1-3	JC67-00209A	LENS-STATUS	1	SNA	D	
1-4	JC64-00239A	KEY-M_TEL	1	SNA	D	
1-5	JC64-00288A	KEY-HOOK	1	SA	A	
1-6	JC64-00244A	KEY-M_BLACK	1	SNA	D	
1-7	JC64-00335A	KEY-POWER	1	SA	B	
1-8	JC64-00289A	KEY-M-STOP	1	SA	B	
1-9	JC64-00290A	KEY-M-START	1	SA	B	
1-10	JC73-00258A	RUBBER-JOB STATUS	1	SNA	D	
1-11	JC73-00257A	RUBBER-JOB START	1	SNA	D	
1-12	JC92-01929A	PBA SUB-OPE_KEY	1	SA	A	
1-13	JC92-01928A	PBA SUB-OPE_KEY_SUB	1	SA	A	

Drawer#	SEC_Code	Description	QT'y	Service	Grade	Remark
1-14	JC39-00764A	HARNESS-OPE_KEY	1	SNA	A	
1-15	JC39-00765A	HARNESS-OPE_KEY_SUB	1	SNA	A	
2	JC63-02564B	COVER-PANEL FRONT_KOR	1	SNA	D	
2	JC63-02564A	COVER-PANEL FRONT_Export	1	SNA	D	
3	JC63-01784A	SHEET LCD	1	SA	B	
4	JC97-03138A	MEA UNIT-PLATE LCD	1	SA	A	
4-1	JC61-02521A	PLATE-LCD	1	SNA	B	
4-2	JC62-00428A	SEAL-COLOR LCD	2	SNA	A	
5	JC07-00011A	LCD	1	SA	A	
6	JC02-00013A	TAPE ETC-DOUBLE TAPE SMALL	2	SNA	A	
7	JC61-02522A	PLATE-OPE	1	SNA	D	
8	JC63-01459A	GROUND-LCD R	2	SNA	A	
9	JC92-02045A	PBA-OPE	1	SA	A	

33. Platen ass'y



Platen ass'y parts list

SA : SERVICE AVAILABLE, SNA : SERVICE not AVAILABLE

Drawer#	SEC_Code	Description	QT'y	Service	Grade	Remark
0	JC96-04577A	ELA UNIT-PLATEN	1	SNA	A	
1	JC96-04569A	ELA UNIT-SCAN UPPER	1	SA	A	
1-1	JC63-01371A	COVER SCAN UPPER	1	SNA	A	
1-2	JC63-00748A	SHEET-ABS_REGI_EDGE	1	SNA	D	
1-3	JC63-01874A	SHEET-COVER-FAN	1	SNA	A	
1-4	JC63-01364A	COVER FAN	1	SNA	A	
1-5	JC01-00016A	GLASS SCAN HEATING	1	SA	D	
1-6	JC02-00012A	TAPE ETC-DOUBLE TAPE LARGE	2	SNA	D	
1-7	JC02-00013A	TAPE ETC-DOUBLE TAPE SMALL	1	SNA	A	
1-8	JB70-00148A	IPR-HOLDER GLASS	2	SA	A	
1-9	6002-000440	SCREW-TAPPING	2	SA	B	
1-10	JC97-02950A	MEA UNIT DUMMY UPPER	1	SNA	A	
1-10-1	JC63-01361A	COVER-ADF GLASS	1	SNA	D	
1-10-2	JC68-01548B	LABEL-INSTALLATION	1	SNA	D	
1-10-3	JC68-01550A	LABEL(R)-REGI_EDGE(L)	1	SNA	D	
1-10-4	JC63-00074A	SHEET-DUMMY UPPER	1	SA	D	
1-10-5	JC63-01674A	SHEET-SHADING	1	SNA	B	
1-10-6	JC74-00019A	MCT-GLASS ADF	1	SA	D	
1-10-7	0203-001744	TAPE-DOUBLE FACE	1	SNA	A	
1-10-8	0203-001800	TAPE-DOUBLE FACE	2	SNA	D	
1-10-9	JC63-01152A	SHEET ADF GLASS	1	SNA	A	
1-10-10	JC97-03035A	MEA UNIT-LEVER-LOCKER	1	SNA	A	
1-10-11	JC61-01987A	BRACKET-LOCKER	1	SNA	A	
1-10-12	JC68-01991B	LABEL INFORMATION	1	SNA	A	
1-11	6003-000196	SCREW-TAPTITE	8	SA	B	
1-12	JC67-00164B	CAP-HOLE SCREW	5	SNA	A	
2	JC96-04548A	ELA UNIT-SCAN LOWER	1	SA	A	
2-1	6003-000196	SCREW-TAPTITE	13	SA	B	

Drawer#	SEC_Code	Description	QT'y	Service	Grade	Remark
2-2	6003-001256	SCREW-TAPTITE	14	SNA	A	
2-3	6003-000269	SCREW-TAPTITE	4	SA	B	
2-4	JC96-04338A	ELA UNIT-CCDM HIGH	1	SA	A	
2-5	JC96-04958A	ELA UNIT-SCAN MOTOR	1	SA	A	
2-5-1	JC31-00033B	MOTOR-STEP-SCAN	1	SA	D	
2-5-2	JC66-00530A	GEAR-REDUCTION 73/37	1	SA	B	
2-5-3	6044-000125	RING-E	2	SA	A	
2-5-4	JB72-00764A	PMO-HOLDER BELT	1	SA	A	
2-5-5	JC66-01867A	GEAR-TIMING	1	SA	D	
2-5-6	JB66-00083A	GEAR-IDLE	1	SA	A	
2-5-7	JC61-02469A	BRACKET-MOTOR PLAT	1	SNA	D	
2-5-8	6003-000269	SCREW-TAPTITE	2	SA	B	
2-6	JC61-02015A	HOLDER-FRAME	3	SNA	D	
2-7	JC61-01318A	PLATE-P-SCAN LOWER	1	SNA	A	
2-8	JC70-00239A	IPR-CHANNEL BASE FRAME	2	SA	D	
2-9	JC61-02091A	BRACKET-OPE GROUND	1	SA	D	
2-10	JC66-01526A	SHAFT-CCD	1	SNA	A	
2-11	JC63-00812A	GROUND-P-SCAN LOWER	1	SNA	A	
2-12	JC63-01406A	GROUND-SCAN IF	1	SNA	D	
2-13	JC61-02090A	BRACKET-BOARD	1	SNA	D	
2-14	JC63-01362A	COVER-CCD CABLE	1	SA	A	
2-15	JC92-01884A	PBA SUB-SCAN_IF	1	SA	A	
2-16	JC63-02015A	SHEET-GUIDE HARNESS	1	SNA	A	
2-17	6602-001090	BELT-TIMING GEAR	1	SA	A	
2-18	6044-000125	RING-E	1	SA	A	
2-19	JB72-00764A	PMO-HOLDER BELT	1	SA	A	
2-20	JB72-00763A	PMO-PULLEY	1	SA	A	
2-21	JC61-01365A	BRACKET-P-PULLEY	1	SNA	D	
2-22	6107-001194	SPRING-CS	1	SA	B	
2-23	JC63-01367A	COVER-SCAN LOWER	1	SNA	A	

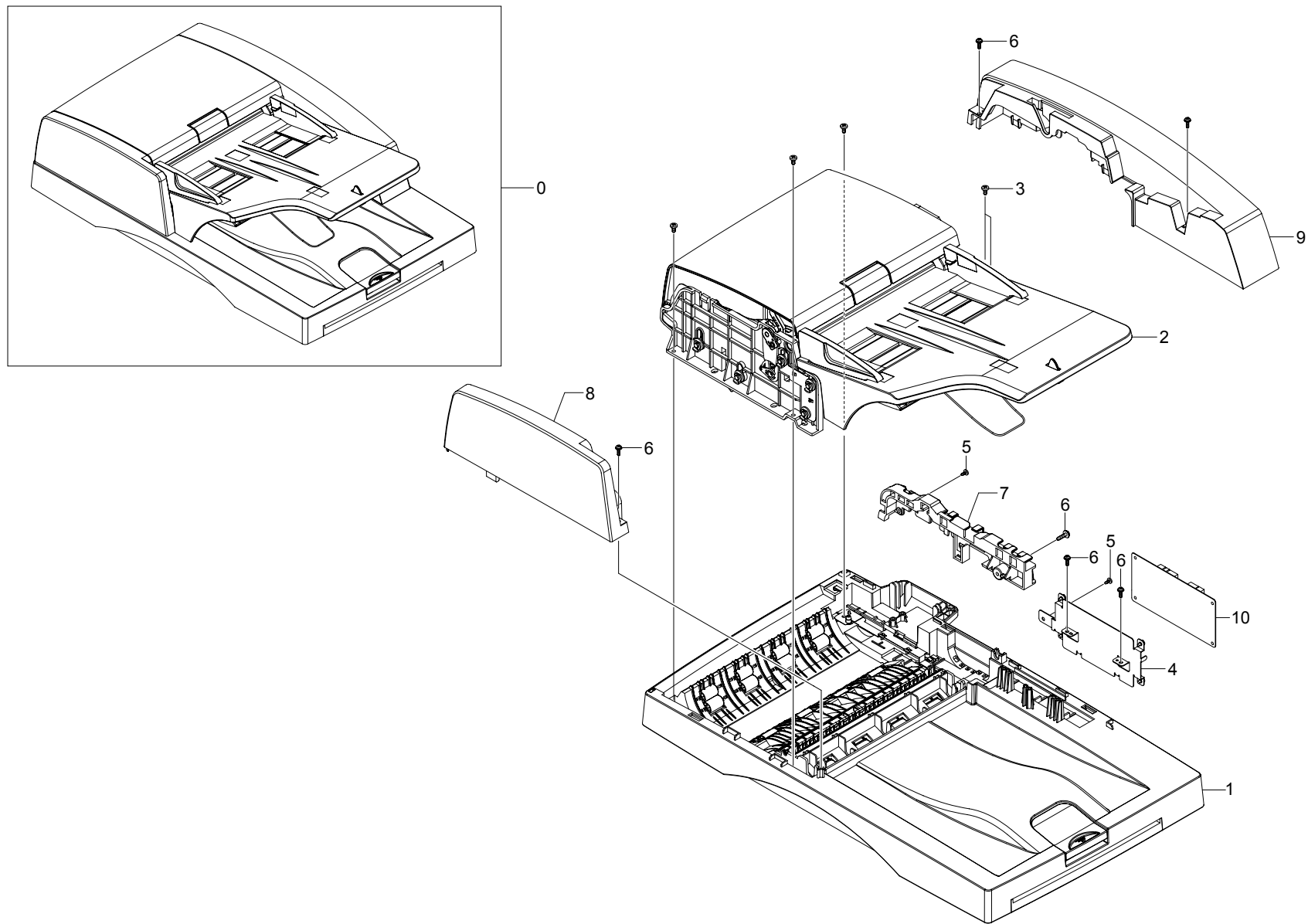
Platen ass'y parts list

SA : SERVICE AVAILABLE, SNA : SERVICE not AVAILABLE

Drawer#	SEC_Code	Description	QT'y	Service	Grade	Remark
2-24	JC72-00755A	PMO-LEVER SENSOR	1	SA	B	
2-25	0604-001095	PHOTO-INTERRUPTER	2	SA	A	
2-26	JB61-70939A	SPRING ETC-EXIT	1	SNA	D	
2-27	JC39-00815A	HARNESS-CCD_FFC	1	SNA	D	
2-28	3301-001900	CORE-FERRITE	1	SNA	D	
2-29	JC62-00499A	SEAL-SCAN_LOWER	2	SA	A	
2-30	JC62-00492A	SEAL-COVER CCD	1	SA	D	
2-31	JC63-01876A	SHEET-SCAN_LOWER_L	1	SA	A	
2-32	JC63-01875A	SHEET-SCAN_LOWER_S	1	SA	A	
2-33	JC61-00667A	STOPPER-M-FAN80	1	SA	D	
2-34	JC61-02365A	PLATE-DOC SIZE	1	SNA	D	

Drawer#	SEC_Code	Description	QT'y	Service	Grade	Remark
2-35	JC92-02009A	PBA-APS_IF	1	SA	A	
2-36	0604-001370	PHOTO-INTERRUPTER	2	SA	D	
2-37	JC39-00941A	FLAT CABLE-APS_FFC	1	SNA	D	
2-38	JC39-00322A	CBF HARNESS-SCAN GND	1	SNA	A	
2-39	JC39-00723A	HARNESS-SCAN MT	1	SNA	D	
2-40	JC39-00781A	HARNESS-SCAN_IF	1	SNA	D	
2-41	JC39-00786A	HARNESS-OPE_USB	1	SNA	D	
2-42	JC39-00787A	HARNESS-OPE_MAIN	1	SNA	D	
2-43	JC39-00793A	HARNESS-NEAR SEN	1	SNA	A	
2-44	JC39-00796A	HARNESS-APS_SEN	1	SNA	D	
2-45	JC39-00811A	HARNESS-SCAN_SEN	1	SNA	D	

34. DADF ass'y



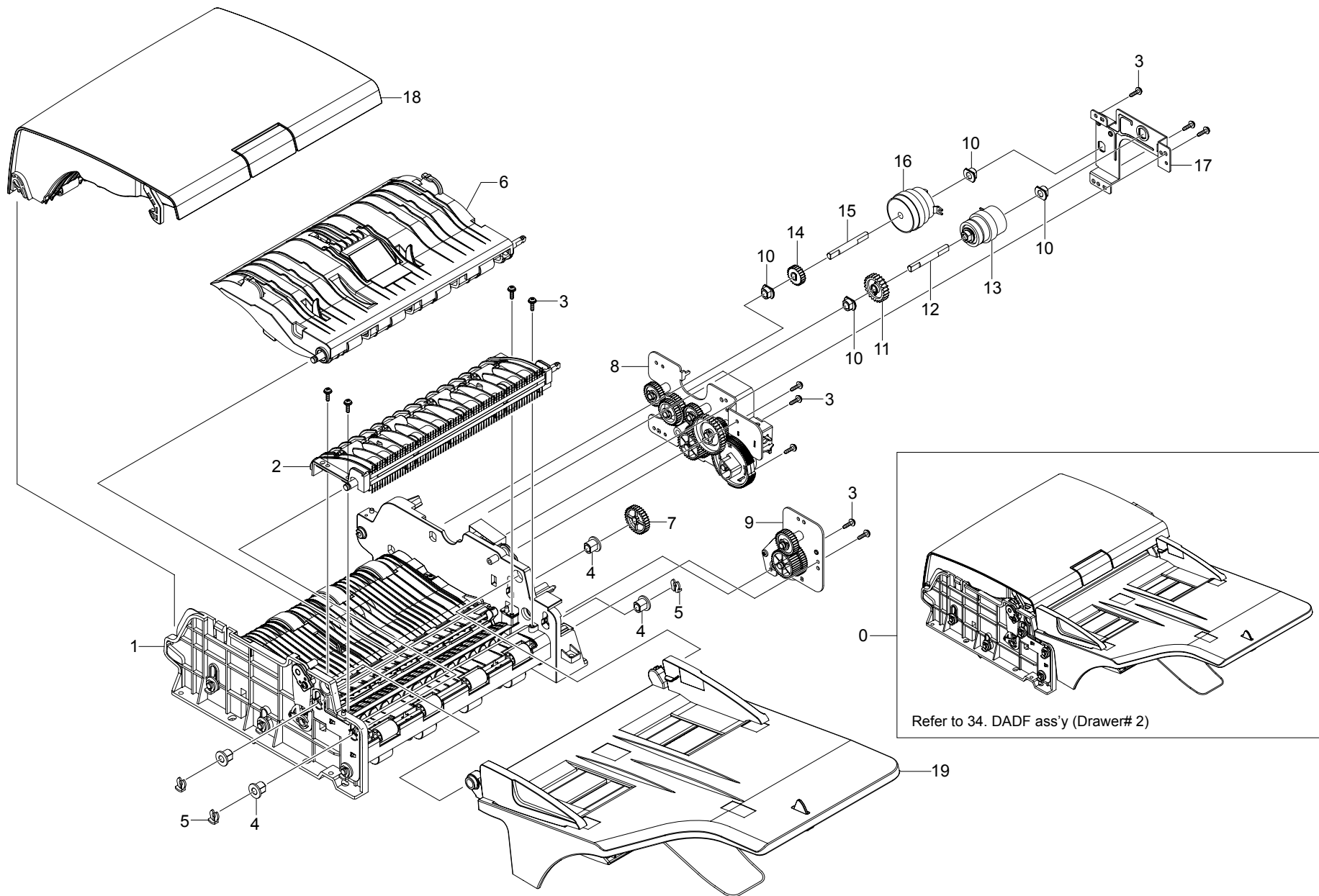
DADF ass'y parts list

SA : SERVICE AVAILABLE, SNA : SERVICE not AVAILABLE

Drawer#	SEC_Code	Description	QT'y	Service	Grade	Remark
0	JC96-04855A	ELA HOU-DADF	1	SA	A	
1	JC96-04856A	ELA-HOU COVER PLATEN	1	SNA	A	
2	JC96-04858A	ELA-HOU DADF SUB	1	SA	A	
3	6003-001256	SCREW-TAPTITE	5	SNA	A	
4	JC63-01643A	SHIELD-DADF BD	1	SNA	D	
5	6003-000269	SCREW-TAPTITE	2	SA	B	

Drawer#	SEC_Code	Description	QT'y	Service	Grade	Remark
6	6003-000196	SCREW-TAPTITE	5	SA	B	
7	JC61-02298A	HOLDER HARNESS	1	SNA	D	
8	JC63-01611A	COVER-FRONT	1	SNA	D	
9	JC63-01637A	COVER-REAR	1	SNA	D	
10	JC92-01942A	PBA-DADF	1	SA	A	

35. DADF sub ass'y



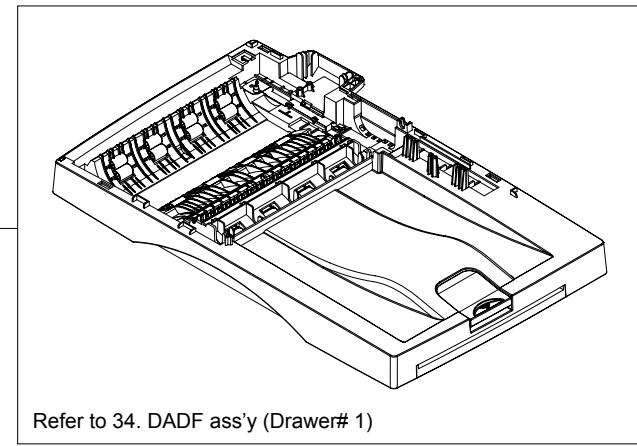
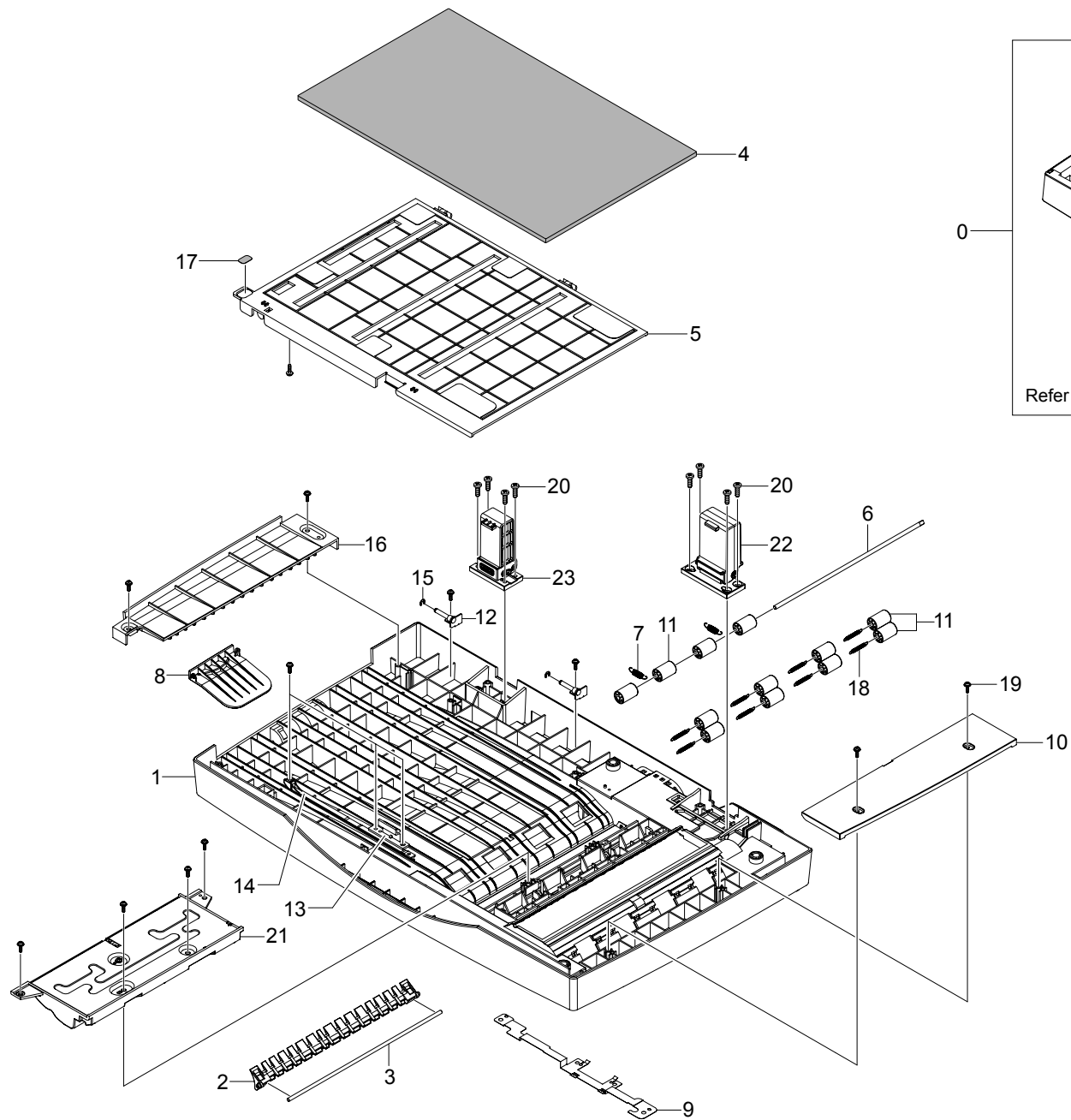
DADF sub ass'y parts list

SA : SERVICE AVAILABLE, SNA : SERVICE not AVAILABLE

Drawer#	SEC_Code	Description	QT'y	Service	Grade	Remark
0	JC96-04858A	ELA-DADF SUB	1	SA	A	
1	JC96-04861A	ELA-GUIDE SCAN	1	SA	A	
2	JC97-03095A	MEA-EXIT	1	SNA	D	
3	6003-000196	SCREW-TAPTITE	12	SA	B	
4	JC61-00884A	BUSH-6_D(L)	4	SNA	D	
5	JC61-01367A	FIXER-M_E RING 4PI	3	SA	A	
6	JC97-03096A	MEA-GUIDE PICK UP	1	SA	A	
7	JC66-01675A	GEAR-ROLLER DRIVE	1	SA	D	
8	JC96-04859A	ELA-DADF MOTOR	1	SA	A	
9	JC96-04860A	ELA-DUPLEX MOTOR	1	SA	A	

Drawer#	SEC_Code	Description	QT'y	Service	Grade	Remark
10	JC61-00423A	BUSH-6_D	4	SA	B	
11	JC66-00565A	GEAR-DADF24(A)	1	SA	D	
12	JC66-00662A	SHAFT-REGI	1	SA	D	
13	JC66-01864A	CLUTCH-2.5K Z24	1	SA	D	
14	JC66-01667A	GEAR-CLUTCH	1	SA	D	
15	JC66-00662A	SHAFT-REGI	1	SA	D	
16	JC66-00994B	CLUTCH-5K Z32	1	SA	B	
17	JC61-02283A	BRACKET-CLUTCH	1	SNA	D	
18	JC96-04862A	ELA-COVER OPEN	1	SA	A	
19	JC97-03098A	MEA-TX STACKER	1	SA	A	

36. Cover platen_DADF



Refer to 34. DADF ass'y (Drawer# 1)

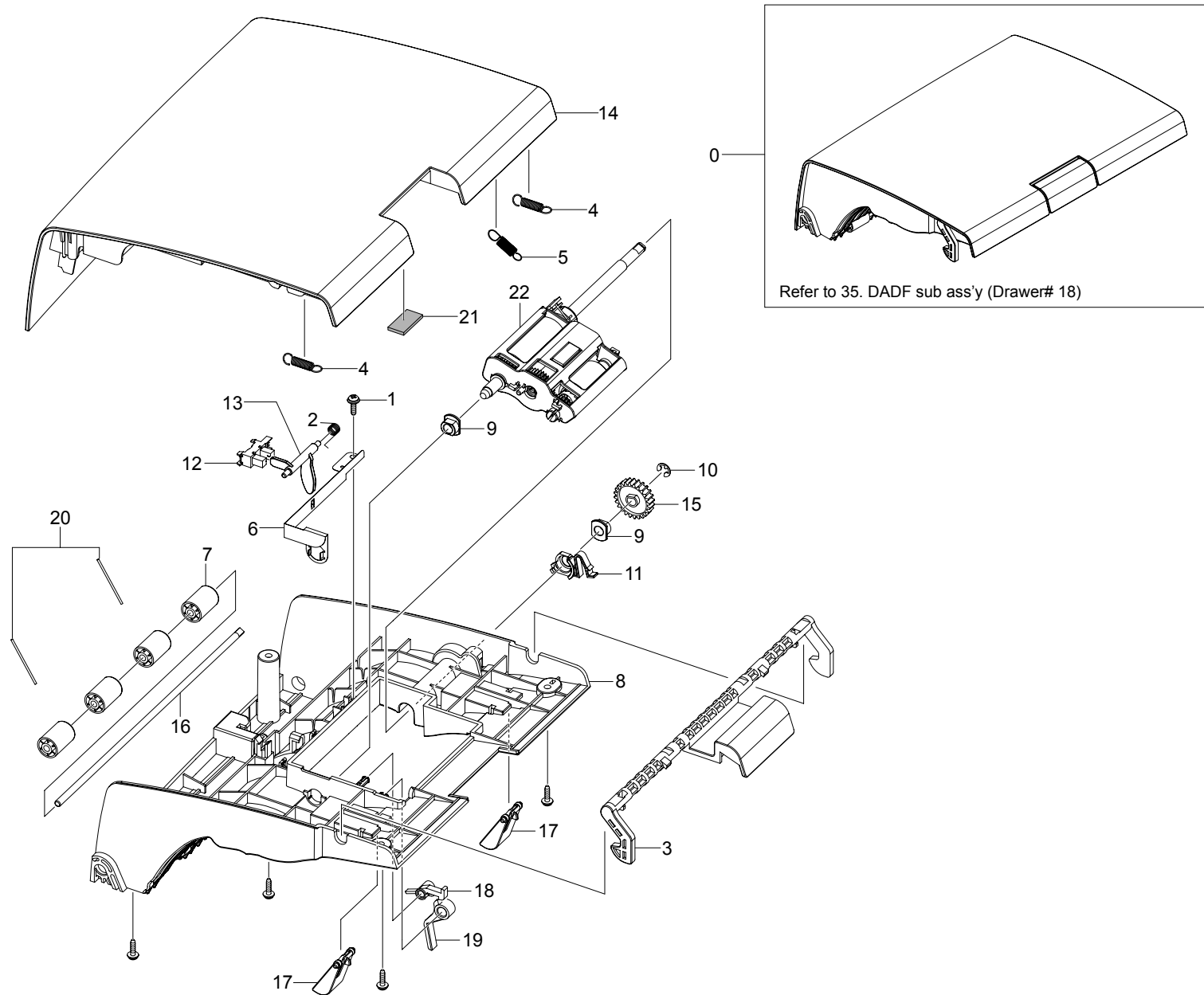
Cover platen_DADF parts list

SA : SERVICE AVAILABLE, SNA : SERVICE not AVAILABLE

Drawer#	SEC_Code	Description	QT'y	Service	Grade	Remark
0	JC96-04856A	ELA HOU-COVER PLATEN	1	SNA	A	
1	JC63-01638A	COVER-PLATEN	1	SNA	D	
2	JC61-02345A	GUIDE-REVERSE	1	SNA	D	
3	JC66-01861A	SHAFT-GATE	1	SNA	D	
4	JC72-00751A	PPR-SPONGE SHEET	1	SA	D	
5	JC63-01601A	COVER-PLATEN_SUB	1	SNA	D	
6	JC66-01860A	SHAFT-IDLE ROLLER	1	SNA	D	
7	JC61-70928A	SPRING ETC-DEV_R	2	DNA	A	
8	JC61-02347A	GUIDE-EXTENSION PLATEN	1	SNA	D	
9	JC63-01649A	GROUND-COVER PLATEN	1	SNA	D	
10	JC63-01600A	COVER-DUMMY PLATEN	1	SNA	D	
11	JC66-01022B	ROLLER-M_IDLE SCF	12	SNA	A	

Drawer#	SEC_Code	Description	QT'y	Service	Grade	Remark
12	JC61-02270A	BRACKET-PLATEN SUB	2	SNA	D	
13	JC64-00357A	HANDLE-SUB PLATEN	1	SNA	D	
14	JC72-00766A	PMO-TIE STOPPER	1	SA	D	
15	6044-000159	GING-C	2	SA	B	
16	JC63-01625A	COVER-PLATEN SUB DUMMY	1	SNA	D	
17	JC68-01246A	LABEL-GUIDE DUPLEX	1	SNA	D	
18	6107-001390	SPRING-ES	8	SNA	D	
19	6003-000196	SCREW-TAPTITE	14	SA	B	
20	6003-001324	SCREW-TAPTITE	8	SA	A	
21	JC96-04857A	ELA-COVER JAM	1	SA	A	
22	JC97-02265A	MEA UNIT-HINGE JF	1	SA	A	
23	JC97-02635A	MEA UNIT-HINGE JF	1	SA	A	

37. Cover open_DADF



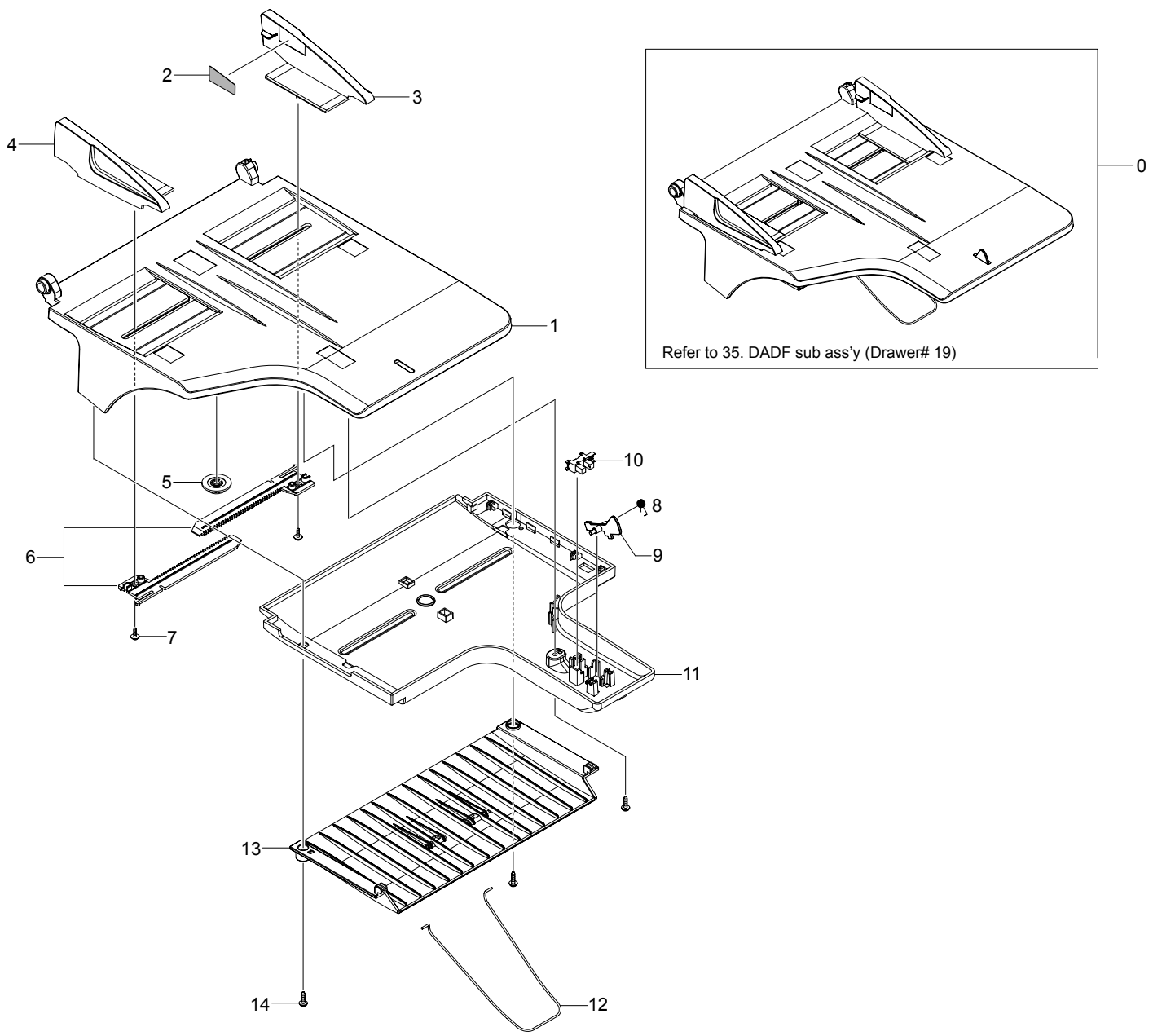
Cover open_DADF parts list

SA : SERVICE AVAILABLE, SNA : SERVICE not AVAILABLE

Drawer#	SEC_Code	Description	QT'y	Service	Grade	Remark
0	JC96-04862A	ELA-COVER OPEN	1	SA	A	
1	6003-000196	SCREW-TAPTITE	5	SA	B	
2	JB61-00076A	SPRING ETC-TORSION DOC(CC2-F)	1	SA	B	
3	JC64-00351A	HANDLE-COVER-OPEN	1	SNA	D	
4	JC61-00483A	SPRING-KNOCK UP MP	2	SA	A	
5	JC61-00482A	SPRING-ETC-PICK UP	1	SA	A	
6	JC63-01644A	GROUND-PICK UP	1	SNA	D	
7	JC66-01022B	ROLLER-M_IDLE_SCF	4	SNA	A	
8	JC63-01599A	COVER-OPEN-LOWER	1	SNA	D	
9	JC61-00423A	BUSH-6_D	2	SA	B	
10	6044-000125	RING-E	1	SA	A	

Drawer#	SEC_Code	Description	QT'y	Service	Grade	Remark
11	JC61-02250A	HOLDER-BUSH-PICK UP	1	SNA	D	
12	0604-001095	PHOTO-INTERRUPTER	1	SA	A	
13	JC66-01688A	ACTUATOR-REGI	1	SA	D	
14	JC63-01577A	COVER-OPEN-UPPER	1	SNA	D	
15	JC66-01676A	GEAR-PICK UP-DRIVE	1	SA	D	
16	JC66-01860A	SHAFT-IDLE ROLLER	1	SNA	D	
17	JC61-00788B	GUIDE-DOC SENSOR	2	SNA	D	
18	JC66-00958A	LATCH-M_ARM FRT	1	SNA	A	
19	JC61-01307B	STOPPER-M_PAPER REAR	1	SNA	A	
20	JB61-00074A	SPRING-SCAN STOPPER	2	SA	D	
21	JC72-01421A	SPONGE-COVER-UPPER1	1	SNA	D	
22	JC97-03099A	MEA-PICK UP	1	SA	D	

38. TX stacker_DADF



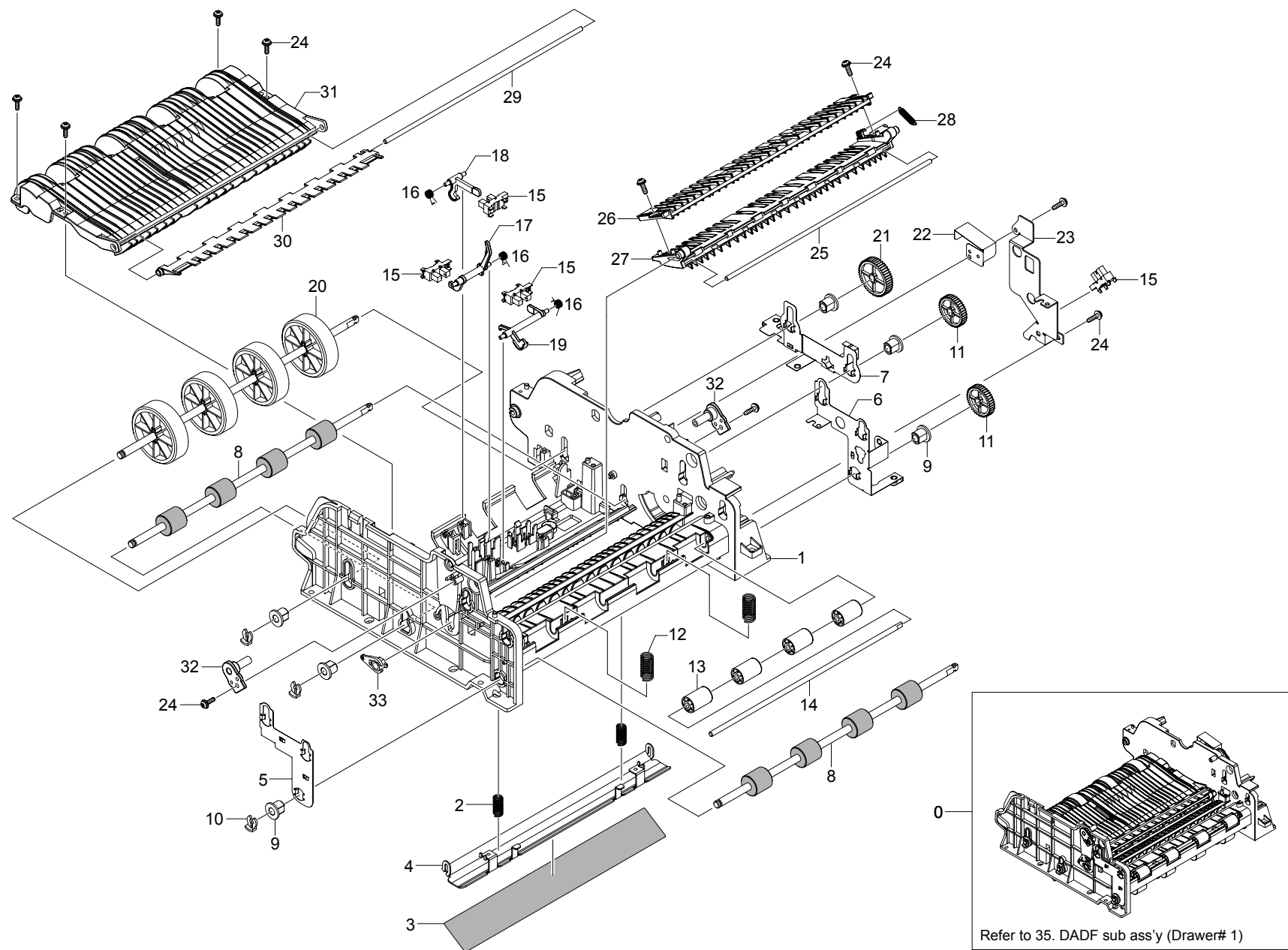
TX stacker_DADF parts list

SA : SERVICE AVAILABLE, SNA : SERVICE not AVAILABLE

Drawer#	SEC_Code	Description	QT'y	Service	Grade	Remark
0	JC97-03098A	MEA-TX STACKER	1	SA	A	
1	JC61-02344A	GUIDE_TX_STACKER	1	SNA	D	
2	JC68-01547B	LABEL-INSTALLATION	1	SNA	B	
3	JC61-02341A	GUIDE-DOC_REAR	1	SNA	D	
4	JC61-02340A	GUIDE-DOC FRONT	1	SNA	D	
5	JF72-41354A	PMO-GEAR PINION	1	SA	D	
6	JC66-01807A	GEAR-RACK DOCU TX	2	SNA	D	
7	6002-000440	SCREW-TAPPING	2	SA	B	

Drawer#	SEC_Code	Description	QT'y	Service	Grade	Remark
8	JB61-00076A	SPRING ETC-TORSION DOC(CC2-F)	1	SA	B	
9	JC72-01250B	PMO-ACTUATOR LENGTH	1	SA	D	
10	0604-001095	PHOTO-INTERRUPTER	1	SA	A	
11	JC61-02342A	GUIDE_STACKER_LOWER	1	SNA	D	
12	JC61-01438A	GUIDE-STACKER WIRE	1	SNA	A	
13	JC61-02342A	GUIDE_STACKER_DUMMY	4	SNA	D	
14	6003-000196	SCREW-TAPTITE	3	SA	B	

39. Guide scan_DADF



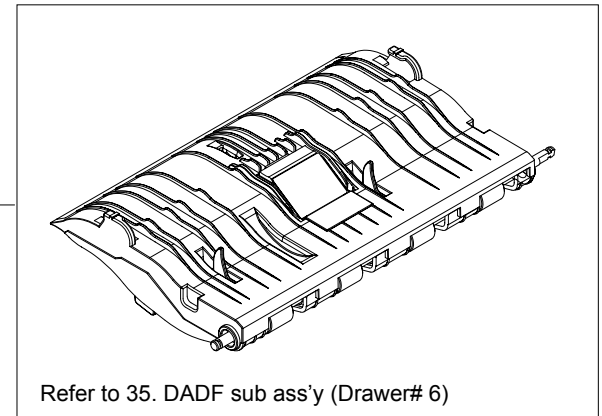
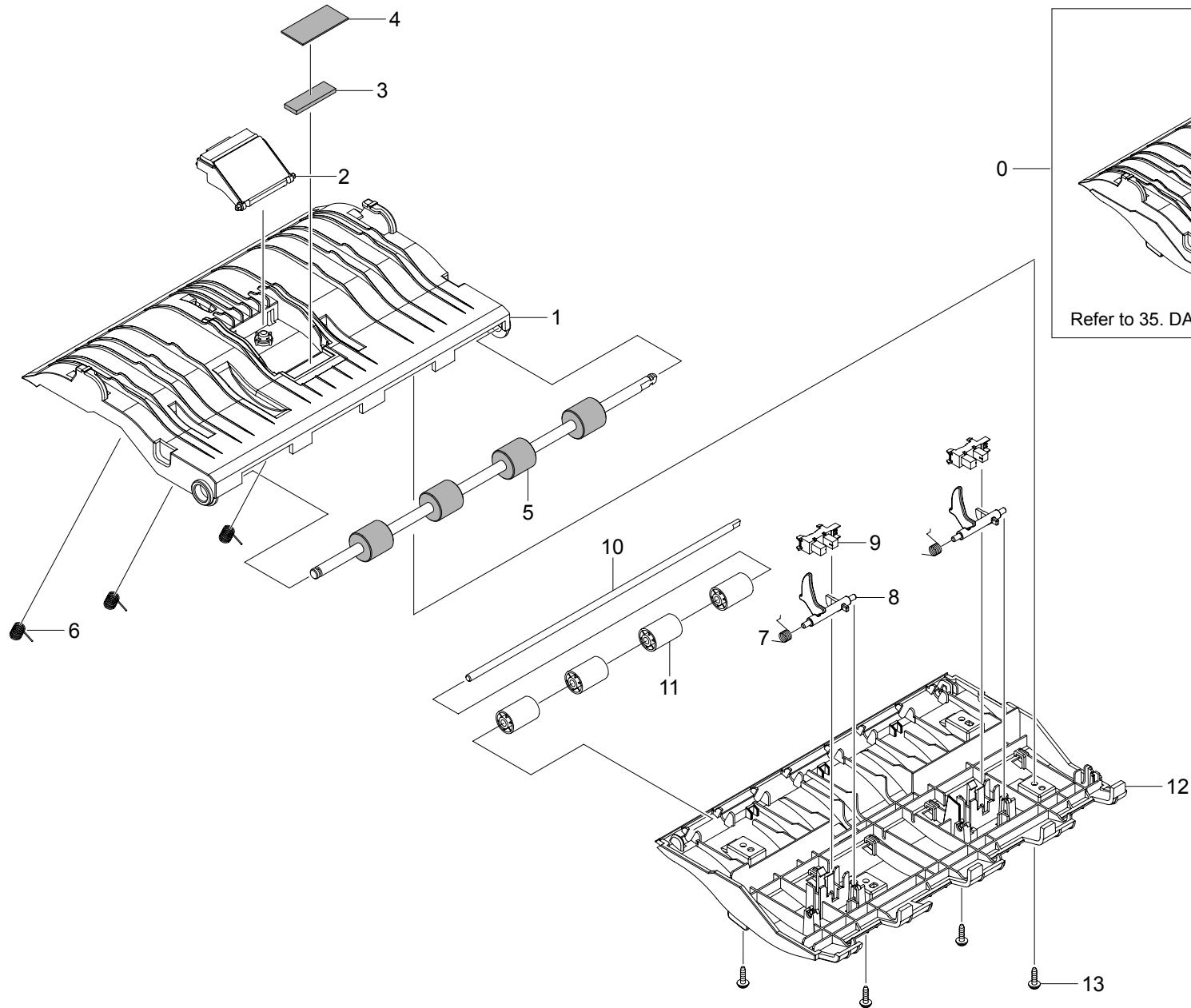
Guide scan_DADF parts list

SA : SERVICE AVAILABLE, SNA : SERVICE not AVAILABLE

Drawer#	SEC_Code	Description	QT'y	Service	Grade	Remark
0	JC96-04861A	ELA-HOU GUIDE SCAN	1	SA	A	
1	JC61-02346A	GUIDE-SCAN	1	SNA	D	
2	JC61-00548A	SPRING ETC-WHITE BAR	2	SA	A	
3	JC63-00810A	SHEET-WHITE BAR	1	SNA	A	
4	JC61-02754A	BRACKET-P-WHITE BAR	1	SA	D	
5	JC63-01647A	GROUND-EXIT FRONT	1	SNA	D	
6	JC63-01648A	GROUND-EXIT	1	SNA	D	
7	JC63-01646A	GROUND-DADF	1	SNA	D	
8	JC66-01826A	ROLLER-DUPLEX	2	SNA	D	
9	JC61-00884A	BUSH-6_D(L)	6	SNA	D	
10	JC61-01367A	FIXER-M_E RING 4PI	3	SA	A	
11	JC66-01675A	GEAR-ROLLER DRIVE	2	SA	D	
12	JC61-70959B	SPRING ETC-FEED	2	NA	D	
13	JC66-01022B	ROLLER-M_IDLE SCF	4	SNA	A	
14	JC66-01860A	SHAFT-IDLE ROLLER	1	SNA	D	
15	0604-001095	PHOTO-INTERRUPTER	4	SA	A	
16	JB61-00076A	SPRING ETC-TORSION DOC(CC2-F)	3	SA	B	

Drawer#	SEC_Code	Description	QT'y	Service	Grade	Remark
17	JC66-01689A	ACTUATOR-DUPLEX	1	SA	D	
18	JC66-01690A	ACTUATOR-SCAN	1	SA	D	
19	JC66-01803A	ACTUATOR-GATE	1	SA	D	
20	JC97-03119A	MEA-FEED ROLLER	1	SA	D	
21	JC66-01806A	GEAR-MULTI ROLLER	1	SA	D	
22	JC70-00218A	IPR-GUARD C/O S/W	1	SA	D	
23	JC61-02282A	BRACKET-GROUND	1	SNA	D	
24	6003-000196	SCREW-TAPTITE	10	SA	B	
25	JC66-00683A	SHAFT-GATE DUPLEX	1	SNA	D	
26	JC61-02348A	GUIDE-PATH TOP	1	SNA	D	
27	JC61-02338A	GUIDE-PATH LOWER	1	SNA	D	
28	6107-001388	SPRING-GATE	1	SNA	D	
29	JC66-01861A	SHAFT-GATE	1	SNA	D	
30	JC61-02339A	GUIDE-DUPLEX	1	SNA	D	
31	JC63-01605A	COVER-DUPLEX	1	SNA	D	
32	JC64-00355A	HANDLE-STUD	2	SNA	D	

40. Guide pick up_DADF



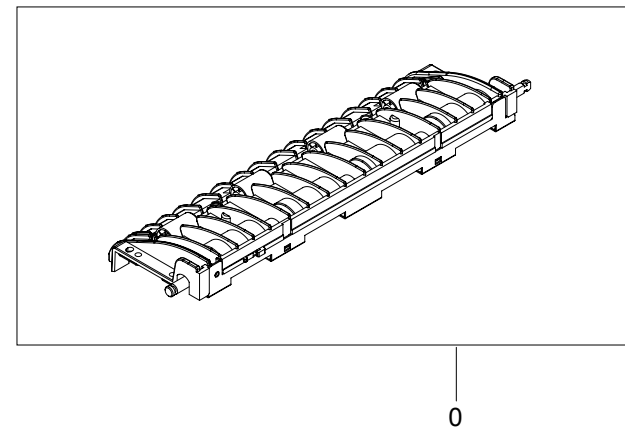
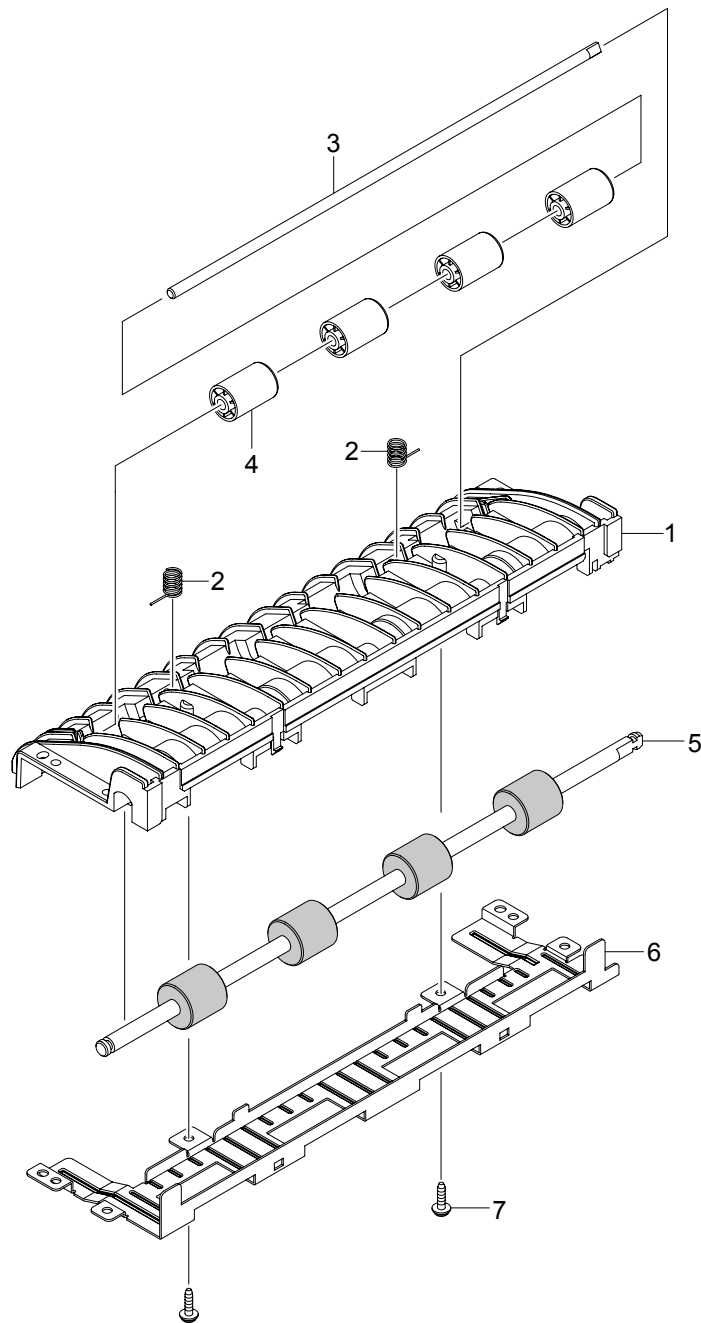
Guide pick up_DADF parts list

SA : SERVICE AVAILABLE, SNA : SERVICE not AVAILABLE

Drawer#	SEC_Code	Description	QT'y	Service	Grade	Remark
0	JC97-03096A	MEA-GUIDE PICK UP	1	SA	A	
1	JC61-02350A	GUIDE PICK UP_UPPER	1	SNA	D	
2	JC97-03097A	MEA-HOLDER ADF RUBBER	1	SA	D	
3	JC72-01422A	SPONGE-GUIDE PICK UP	1	SNA	D	
4	JC69-01326A	PAD-GUIDE PICKUP	1	SNA	D	
5	JC66-01826A	ROLLER-DUPLEX	1	SNA	D	
6	JC61-01563A	SPRING ETC-DUP IDLE	3	SA	A	
7	JB61-00076A	SPRING ETC-TORSION DOC(CC2-F)	2	SA	B	

Drawer#	SEC_Code	Description	QT'y	Service	Grade	Remark
8	JC72-01248A	PMO-ACTUATOR DOC	2	SA	D	
9	0604-001095	PHOTO-INTERRUPTER	2	SA	A	
10	JC66-01860A	SHAFT-IDLE ROLLER	1	SNA	D	
11	JC66-01022B	ROLLER-M_IDLE SCF	4	SNA	A	
12	JC61-02351A	GUIDE PICK UP LOWER	1	SNA	D	
13	6003-000196	SCREW-TAPTITE	4	SA	B	

41. Exit unit_DADF



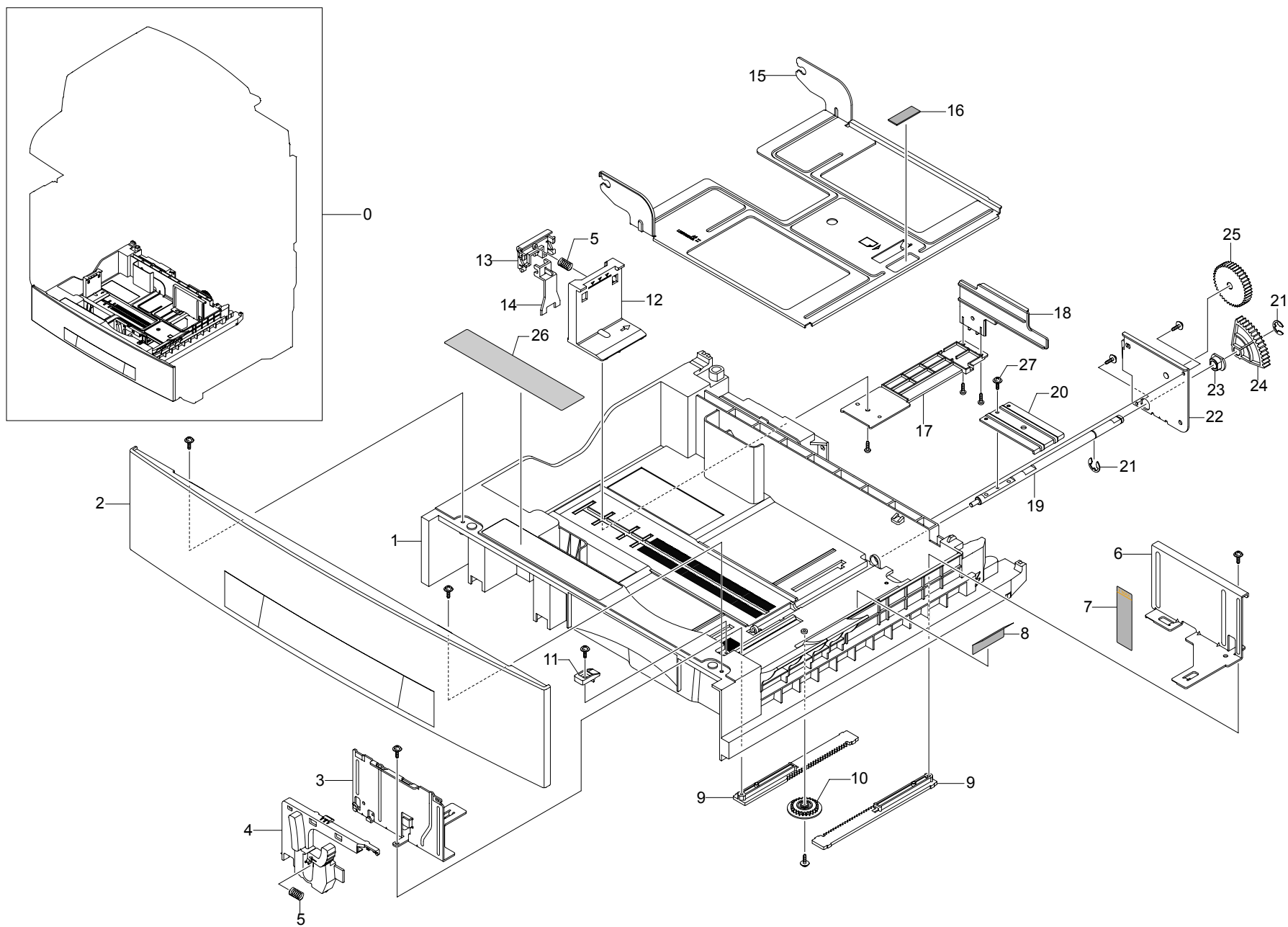
Exit unit_DADF parts list

SA : SERVICE AVAILABLE, SNA : SERVICE not AVAILABLE

Drawer#	SEC_Code	Description	QT'y	Service	Grade	Remark
0	JC97-03095A	MEA-EXIT	1	SNA	D	
1	JC61-02349A	GUIDE-DUPLEX_INNER	1	SNA	D	
2	JC61-01563A	SPRING ETC-DUP IDLE	2	SA	A	
3	JC66-01860A	SHAFT-IDLE ROLLER	1	SNA	D	

Drawer#	SEC_Code	Description	QT'y	Service	Grade	Remark
4	JC66-01022B	ROLLER-M_IDLE SCF	4	SNA	A	
5	JC66-01826A	ROLLER-DUPLEX	1	SNA	D	
6	JC61-02353A	PLATE-DUPLEX LOWER	1	SNA	D	
7	6003-000196	SCREW-TAPTITE	2	SA	B	

42. Cassette



Cassette parts list

SA : SERVICE AVAILABLE, SNA : SERVICE not AVAILABLE

Drawer#	SEC_Code	Description	QT'y	Service	Grade	Remark
0	JC97-02273B	MEA UNIT-CASSETTE	1	SA	A	
1	JC61-01411B	FRAME-CASSETTE	1	SA	A	
2	JC63-00782B	COVER-CASSETTE	1	SNA	A	
3	JC61-01413A	GUIDE-P-SIDE LEFT	1	SA	D	
4	JC67-00123B	CAP-M_HANDLE LEFT	1	SNA	A	
5	JC61-00548A	SPRING ETC-WHITE BAR	2	SA	A	
6	JC61-01414A	GUIDE-P-SIDE RIGHT	1	SNA	D	
7	JC68-01621A	LABEL(R)-MAX FILL	1	SA	D	
8	JC63-00747A	SHEET-GUIDE RETARD	1	SA	D	
9	JC66-00956A	GEAR-M_RACK	2	SNA	D	
10	JC66-01020A	GEAR-M_PINION 24	1	SA	D	
11	JC61-00832A	STOPPER-M_KNOCK UP	1	SA	D	
12	JC61-01395B	GUIDE-M_REAR	1	SNA	A	
13	JC66-00202C	LEVER-LENTH HANDLE	1	SNA	A	

Drawer#	SEC_Code	Description	QT'y	Service	Grade	Remark
14	JC61-01304B	GUIDE-HOOK	1	SNA	A	
15	JC61-01412A	PLATE-P-KNOCK UP	1	SNA	D	
16	JC69-00494A	PAD-MP(PLUS)	1	SA	A	
17	JC61-01416A	SUPPORT-M_BAR PAPER	1	SNA	D	
18	JC61-01417A	SUPPORT-M_PUSH PAPER	1	SNA	D	
19	JC66-00953A	SHAFT-PLATE LEVER	1	SNA	D	
20	JC61-01322A	PLATE-P-LEVER	1	SNA	D	
21	6044-000231	RING-EID5	2	SA	A	
22	JC61-01394A	BRACKET-P-LIFTING	1	SNA	D	
23	JC61-00426A	BUSH-8/5ID8	1	SA	D	
24	JC66-00954A	GEAR-M_LIFTING	1	SA	D	
25	JC66-00955A	GEAR-M_LIFT COUPLING	1	SA	D	
26	JC68-01622B	LABEL-INSTALLATION	1	SNA	D	
27	6006-001193	SCREW-MACHINE WSP	1	SA	D	

SCF parts list

SA : SERVICE AVAILABLE, SNA : SERVICE not AVAILABLE

Drawer#	SEC_Code	Description	QT'y	Service	Grade	Remark
0	JC96-05221A	ELA UNIT-SCF; Option Unit	1	SNA	-	
1	JC61-01333A	FRAME-P_TOPSCF	1	SNA	D	
2	JC63-00771B	COVER-M_FRONTSCF	1	SNA	D	
3	JC61-01312A	PLATE-P-BEAM BASE	1	SNA	D	
4	JC61-01397B	BASE-M_LEFTSCF	1	SNA	D	
5	JC97-02290A	MEA UNIT-RETARD	1	SA	A	
5-1	JC61-01348A	BRACKET-P-RETARD	1	SNA	D	
5-2	JC66-00937A	SHAFT-RETARD S	1	SA	A	
5-3	JC66-00939A	SHAFT-LOCK	1	SA	A	
5-4	JC61-00423A	BUSH-6_D	1	SA	B	
5-5	6044-000125	RING-E	1	SA	A	
5-6	JC67-00126A	COUPLER-TORQUELIMITER	1	SA	B	
5-7	JC66-00976A	JOINT-M_RETARD	1	SA	D	
5-8	JC97-02259A	MEA UNIT-ROLLER PU	1	SA	A	
5-9	JC66-00938A	SHAFT-RETARD M	1	SNA	D	
5-10	JC61-01349A	BRACKET-P-BAR RETARD	1	SNA	D	
6	JC61-01398B	BASE-M_RIGHT SCF	1	SNA	D	
7	JC97-02275B	MEA UNIT-SCF DOOR	1	SA	D	
7-1	JC61-01327B	GUIDE-DOOR INNER	1	SNA	D	
7-2	JC64-00208B	HANDLE-DOOR	1	SNA	D	
7-3	JC61-01404A	BRACKET-P_HANDLE SCF	1	SNA	D	
7-4	6107-001206	SPRINGTS	1	SNA	D	
7-5	JC64-00204B	LOCKER-M_RIGHT	1	SNA	D	
7-6	JC64-00204A	LOCKER-M_LEFT	1	SNA	D	
7-7	JC61-70959B	SPRING FEED	1	SNA	D	
7-8	JC66-01022A	ROLLER-M_IDLE SCF	1	SNA	D	
7-9	JC66-00661A	SHAFT-EXIT IDLE	1	SA	D	
7-10	JC61-01328A	PLATE-P_GUIDE SCF	1	SNA	D	

Drawer#	SEC_Code	Description	QT'y	Service	Grade	Remark
8	JC63-00769B	COVER-M_DOOR SIDE SCF	1	SNA	D	
9	JC96-03558A	ELA HOU-PICK UP	1	SA	D	
10	JC61-01401A	HOUSING-M_PICKUP SCF	1	SNA	D	
11	JC61-01422A	HOLDER-M_ACT READY	1	SA	A	
12	JC61-01402A	LEG-M_ACT FEED SCF	1	SNA	D	
13	6107-001262	SPRING-TS	1	SA	D	
14	JC61-00423A	BUSH-6_D	1	SA	B	
15	6044-000125	RING-E	1	SA	A	
16	JC66-02012A	ROLLER-FEED SCF	1	SNA	D	
17	JC66-01865A	CLUTCH-ELECRTIC	1	SNA	D	
20	6044-000159	RING-C	1	SA	B	
21	JC63-00825A	GROUND-P_SHAFTSCF	1	SNA	D	
22	JC61-01326A	GUIDE-M_PUUPPERSCF	1	SNA	D	
23	JC63-00754A	SHEET-GUIDEFILMSCF	1	SA	D	
24	C61-01325A	GUIDE-M_PULOWERSCF	1	SNA	D	
25	JC61-01423A	BRACKET-P-ARM FRIC	1	SNA	D	
26	6107-001257	SPRING-ES	1	SA	D	
27	6107-001262	SPRING-TS	1	SNA	D	
28	JC66-00959A	LEVER-M_ARM FRICTION	1	SA	D	
29	6044-000125	RING-E	1	SA	A	
30	JC61-01400A	PLATE-P_LOCKER R	1	SNA	D	
31	6107-001257	SPRING-ES	1	SA	D	
32	JC61-01399A	PLATE-P_LOCKER L	1	SNA	D	
33	JC64-00207A	LOCKER-M_GRIPPIN	1	SNA	D	
34	JC63-00826A	GROUND-P_TOP	1	SA	D	
35	JC61-01403A	HOLDER-M_PIN	1	SNA	D	
36	JC66-01021A	SHAFT-PIN LOCK	1	SA	D	
37	JC96-03735A	ELA HOU-SIZE SENSOR	1	SA	D	

SCF parts list

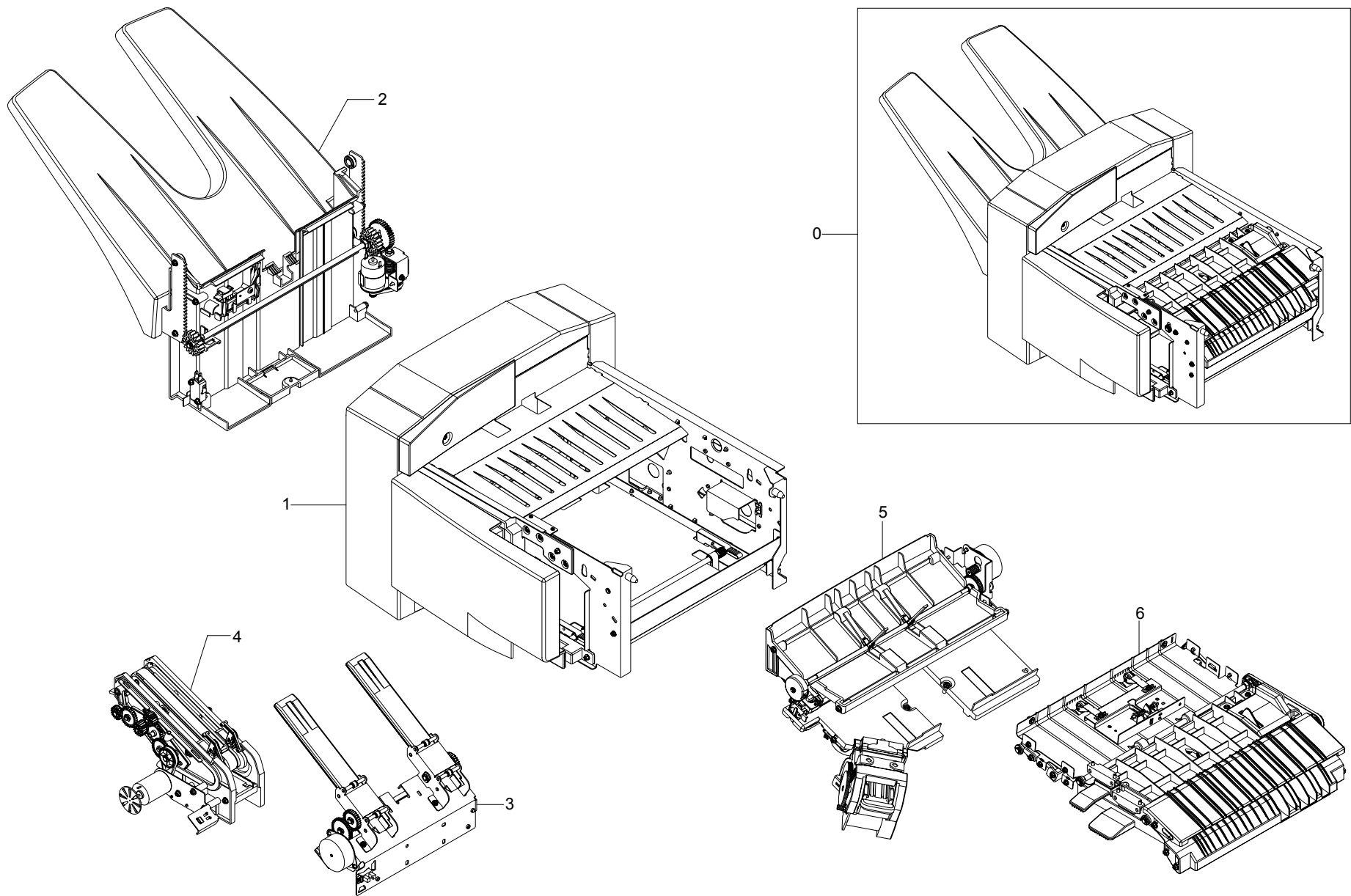
SA : SERVICE AVAILABLE, SNA : SERVICE not AVAILABLE

Drawer#	SEC_Code	Description	QT'y	Service	Grade	Remark
37-1	JC96-02127A	ELA HOU-CST SENSOR HAWK16	1	SA	D	
37-2	JC61-01343A	HOUSING-M_SIZE SENSOR	1	SA	D	
37-3	0604-001095	PHOTO-INTERRUPTER	1	SA	A	
37-4	JC63-00794A	GROUND-P-PAPER SIZE	1	SA	D	
37-5	JC39-00548A	CBFHARNES-SCF_TRAY	1	SNA	D	
38	JC39-00547A	CBFHARNES-SCF	1	SA	D	
39	JC67-00124A	CAP-M_GEAR FEED	1	SNA	D	
40	JC63-00824A	GROUND-P DOOR INNER	1	SNA	D	
43	0604-001095	PHOTO-INTERRUPTER	1	SA	A	
45	JC61-01324A	FRAME-P_REAR SCF	1	SNA	D	
46	JC70-11028A	IPR-GROUND TOP	1	SA	D	
47	JC61-01345A	HOLDER-M_CST L	1	SNA	D	
48	JC92-01697A	PBA SUB-SCF	1	SA	D	
49	6502-000132	CABLE CLAMP	1	SA	D	
50	JC31-00045A	MOTOR GEARED-P LIFT	1	SA	A	
51	JC61-01344A	HOLDER-M_CST R	1	SNA	D	
52	JC63-00833A	GROUND-P-SHAFT RETARD	1	SA	D	
53	JC66-00975A	GEAR-M_RETARD	1	SA	D	
54	JC66-00974A	GEAR-M_FORWARD	1	SA	D	
55	JC66-00973A	GEAR-M_PICKUP IDLE B	1	SA	D	
56	JC66-00994A	CLUTCH-5K Z32	1	SA	B	

Drawer#	SEC_Code	Description	QT'y	Service	Grade	Remark
57	6044-000125	RING-E	1	SA	A	
58	JC96-05278A	ELA-HOU-DRIVE SCF	1	SA	D	
58-1	JC61-02704A	BRACKET-DRIVE SCF	1	SNA	D	
58-2	JC31-00028B	Motor Pickup SCF	1	SNA	D	
58-3	JC66-02011A	GEAR-FEED SCF	1	SNA	D	
58-4	6044-000125	RING-E	1	SA	A	
58-5	JC66-00965A	GEAR-M_FDIDLEASCF	1	SNA	D	
58-6	JC66-00967A	GEAR-M_PUIDLEASCF	1	SNA	D	
58-7	JC66-00968A	GEAR-M_PUIDLECSCF	1	SNA	D	
58-8	JC72-00825A	PMO-IMPELLER_DRV	1	SA	A	
59	JC63-00770B	COVER-M_REARSCF	1	SNA	D	
60	JC97-02273B	MEA UNIT-CASSETTE	1	SA	A	
61	JC61-01323A	FRAME-P_BOTTOMSCF	1	SNA	D	
62	JC61-40001A	FOOT-ML80	1	SA	A	
63	JC39-00461A	HARNES-SCF_FEED	1	SNA	D	
64	JC39-00463A	HARNES-GATE_NEAR	1	SA	D	
65	JC39-00549A	CBFHARNES-SCF_CLUT	1	SNA	D	
66	6009-001390	SCREW-SPECIAL	1	SNA	D	
67	6003-000221	SCREW-TAPTITE	1	SA	D	
68	JC39-00462A	HARNES-SCF_EMPTY	1	SA	D	
69	JC39-00477A	HARNES-MOTOR_SW	1	SA	D	

44. 1Bin finisher (SCX-FIN11S)

44-1. Main finisher



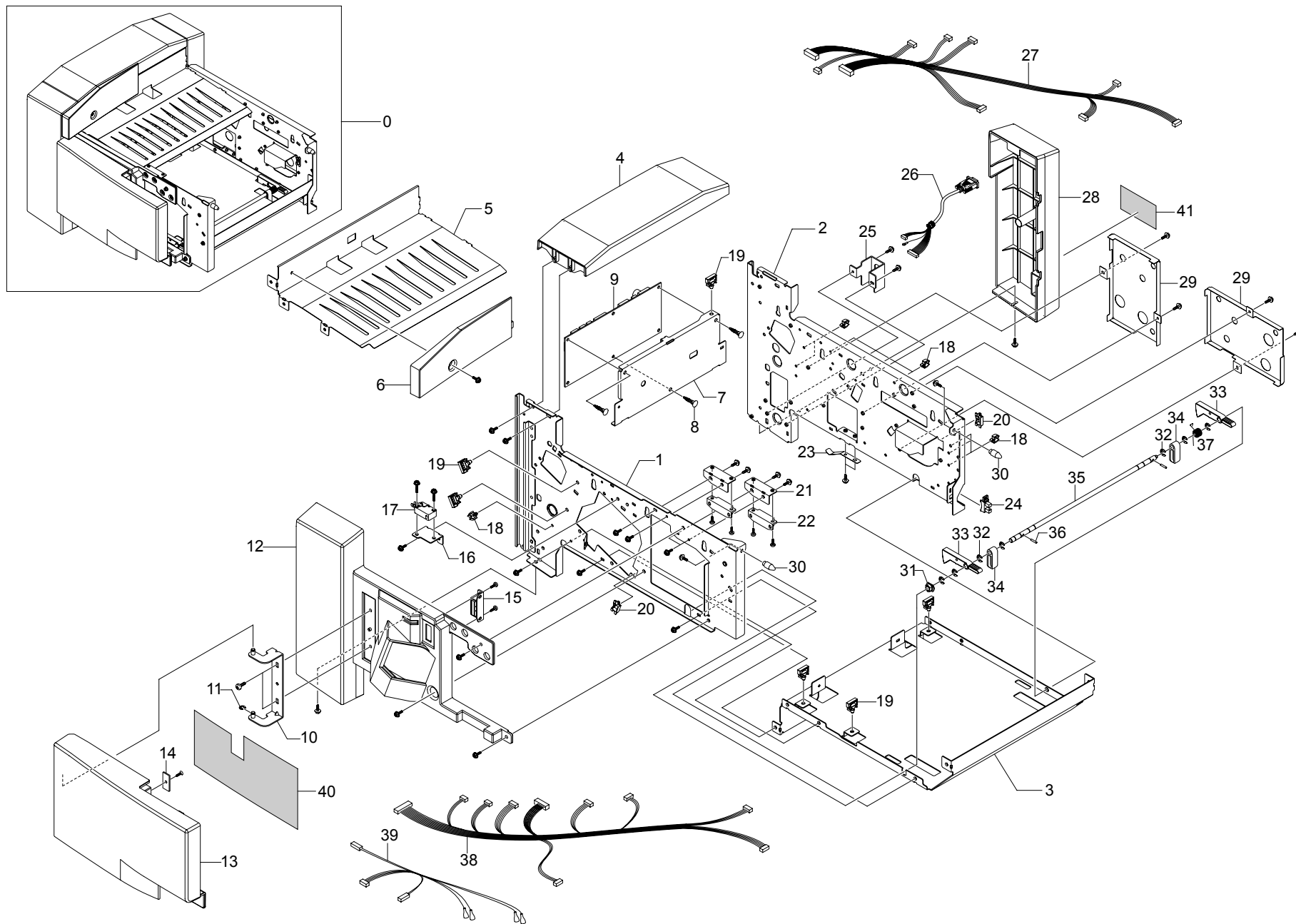
Main finisher parts list

SA : SERVICE AVAILABLE, SNA : SERVICE not AVAILABLE

Drawer#	SEC_Code	Description	QT'y	Service	Grade	Remark
0	JC96-03908C	ELA HOU-FINISHER; Option Unit	1	SNA	D	
1	-	FRAME UNIT	1	SNA	D	
2	-	STACKER UNIT	1	SNA	D	
3	-	EXTENTION TRAY UNIT	1	SNA	D	

Drawer#	SEC_Code	Description	QT'y	Service	Grade	Remark
4	JC81-03773A	EJECTOR UNIT	1	SA	A	
5	-	COMPILE UNIT	1	SNA	D	
6	-	FEED UNIT	1	SNA	D	

44-2. Frame unit



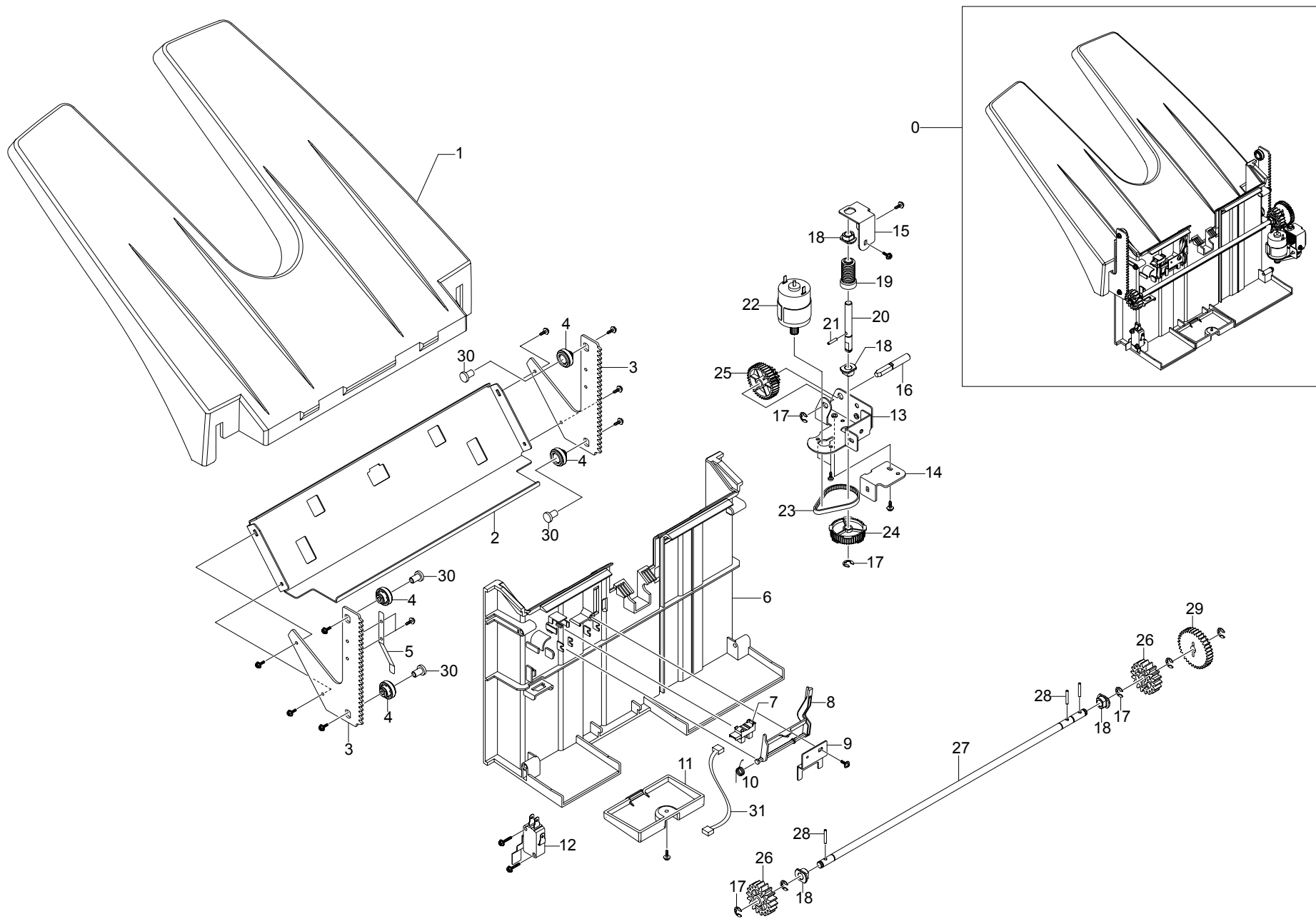
Frame unit parts list

SA : SERVICE AVAILABLE, SNA : SERVICE not AVAILABLE

Drawer#	SEC_Code	Description	QT'y	Service	Grade	Remark
0	-	FRAME UNIT	1	SNA	D	
1	-	ASSY:SIDE PLATE:FRONT	1	SNA	D	
2	-	ASSY:SIDE PLATE:REAR	1	SNA	D	
3	-	BASE:LOWER	1	SNA	D	
4	JC81-03487B	AS-COVER TOP	1	SA	A	
5	-	STAY:DUPLX GUIDE	1	SNA	D	
6	JC81-03767B	AS-COVER SCAN DUMMY	1	SA	A	
7	-	BKT:MAIN PCB	1	SNA	D	
8	-	BUTTON LOCKING SUPPORT:BLSS12	1	SNA	D	
9	JC81-03467A	AS-PCB MAIN ASSY	1	SA	A	
10	-	ASSY:HINGE:DOOR	1	SNA	D	
11	-	E-RING:Φ4	1	SNA	D	
12	JC81-03768B	AS-COVER FRONT	1	SA	A	
13	JC81-03488B	AS-COVER DOOR ASSY	1	SA	A	
13-1	-	COVER-DOOR	1	SNA	D	
13-2	-	HANDLE-DOOR	1	SNA	D	
13-3	-	LABEL-STAPLE REPLACE	1	SNA	D	
13-4	-	MAGNET CATCH PLATE:12x26	1	SNA	D	
13-5	-	SCREW-TAPTITEFH,+,B,M3,L8	1	SNA	D	
15	JC81-03468A	AS-MAGNET ASSY	1	SA	A	
16	-	BKT:INTER LOCK:DOOR OPEN	1	SNA	D	

Drawer#	SEC_Code	Description	QT'y	Service	Grade	Remark
17	JC81-03469A	AS-SWITCH MICRO	1	SA	A	
18	-	MICRO WIRE SADDLE	1	SNA	D	
19	-	SIDE LOCKING SADDLE	1	SNA	D	
20	-	COVER SADDLE:DS-1	1	SNA	D	
21	-	BKT:MAGNET:GUIDE	1	SNA	D	
23	-	LEAF SPRING:EARTH	1	SNA	D	
24	0604-001095	PHOTO-INTERRUPTER	1	SA	B	
26	JC81-03470A	AS-MH INTER FACE ASSY	1	SA	A	
27	-	ASSY:M/H:REAR FRAME	1	SNA	D	
28	JC81-03490B	AS-COVER REAR	1	SA	A	
29	-	BKT:COVER:REAR	1	SNA	D	
30	-	STUD:SET	1	SNA	D	
31	JC61-00423A	BUSH-6_D	1	SA	B	
32	-	E-RING:Φ4	1	SNA	D	
33	-	HOOK:INSTALL	1	SNA	D	
34	-	GUIDE:SET	1	SNA	D	
35	-	SHAFT:HOOK:SET	1	SNA	D	
36	-	PARALLEL PIN:Φ2x10	1	SNA	D	
37	-	T-SPRING:HOOK:SET	1	SNA	D	
38	-	ASSY:M/H:FRONT FRAME	1	SNA	D	
39	-	ASSY:M/H:INTER LOCK	1	SNA	D	
40	-	RATING-LABEL	1	SNA	D	

44-3. Stacker unit



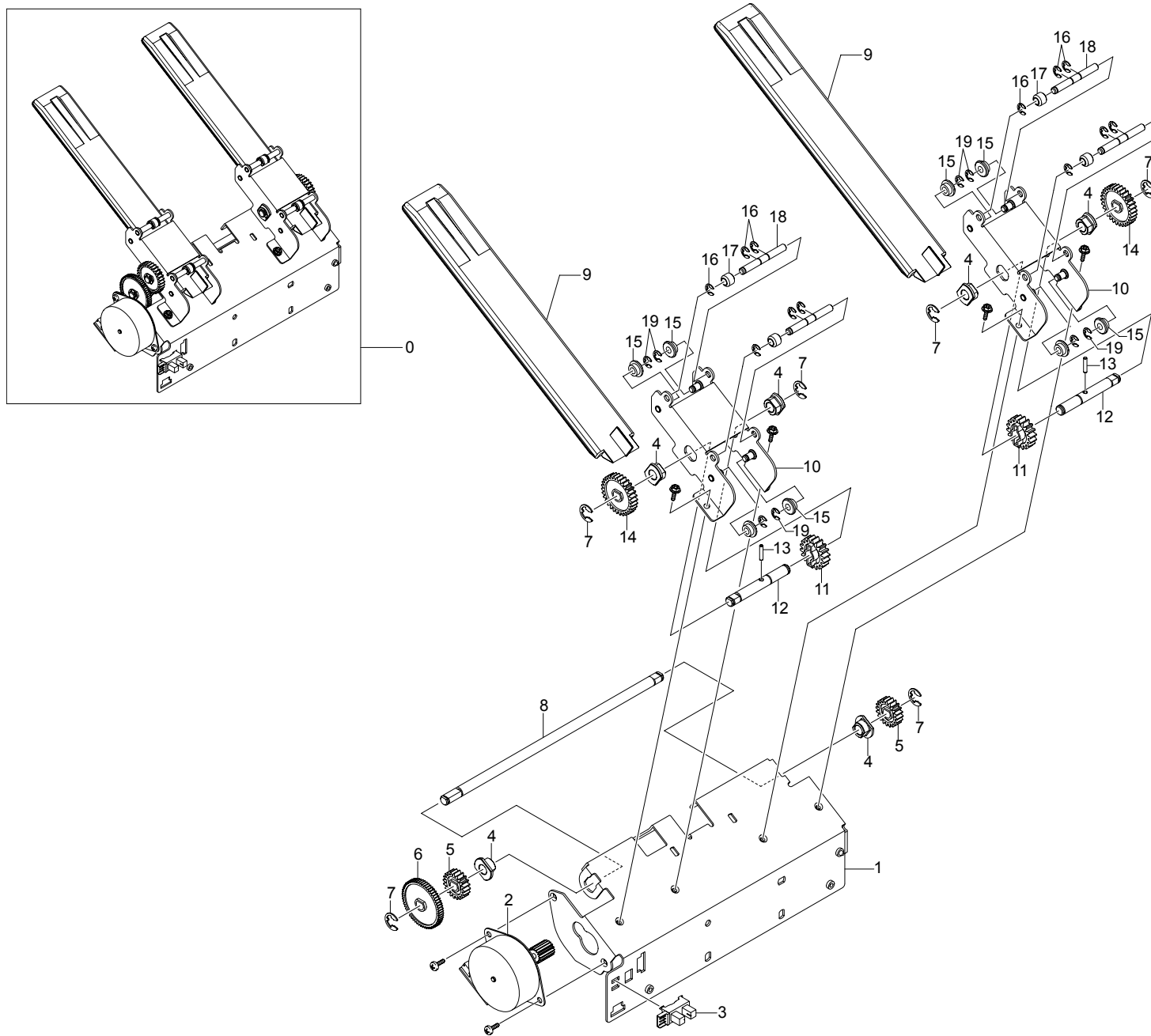
Stacker unit parts list

SA : SERVICE AVAILABLE, SNA : SERVICE not AVAILABLE

Drawer#	SEC_Code	Description	QT'y	Service	Grade	Remark
0	-	STACKER UNIT	1	SNA	D	
1	JC81-03472B	AS-TRAY STACKER	1	SA	A	
2	-	STAY:STACKER	1	SNA	D	
3	-	SIDE FRAME:STACKER	1	SNA	D	
4	-	ROLLER:STACKER	1	SNA	D	
5	-	LEAF SPRING:EARTH	1	SNA	D	
6	-	SHIELD:STACKER	1	SNA	D	
7	0604-001095	PI SENSOR:GP1S73P2	1	SA	A	
8	-	ACTUATOR:STACKER	1	SNA	D	
9	-	BKT:SENSOR	1	SNA	D	
10	-	T-SPRING:ACTUATOR:STACK	1	SNA	D	
11	-	COVER:PCB	1	SNA	D	
12	JC81-03471A	AS-MS STACKER ASSY	1	SA	A	
13	-	BKT:MOTOR:STACKER	1	SNA	D	
14	-	BKT:SUPPORT:MORTOR	1	SNA	D	
15	-	BKT:WORM:STACK	1	SNA	D	

Drawer#	SEC_Code	Description	QT'y	Service	Grade	Remark
16	-	SHAFT:WORM WHEEL	1	SNA	D	
17	-	E-RING:4	1	SNA	D	
18	JC61-00423A	BUSH-6_D	1	SA	B	
19	JC81-03489A	AS-WORM STACKER	1	SA	B	
20	-	SHAFT:WORM	1	SNA	D	
21	-	PARALLEL PIN:210	1	SNA	D	
22	JC81-03484A	AS-MOTOR DC	1	SA	B	
23	JC81-03525A	AS-BELT STACKER	1	SA	B	
24	JC81-03491A	AS-PULLEY S2M48T	1	SA	B	
25	JC81-03524A	AS-W_WHEEL STACKER	1	SA	B	
26	JC81-03492A	AS-GEAR PINION18T	1	SA	B	
27	-	SHAFT:STACKER:DRIVE	1	SNA	D	
28	-	PARALLEL PIN:214	1	SNA	D	
29	JC81-03523A	AS-GEAR SPUR Z35	1	SA	B	
30	-	STUD:STACKER:LIFT	1	SNA	D	
31	-	ASSY:M/H:STK TOP SNR	1	SNA	D	

44-4. Extension tray unit



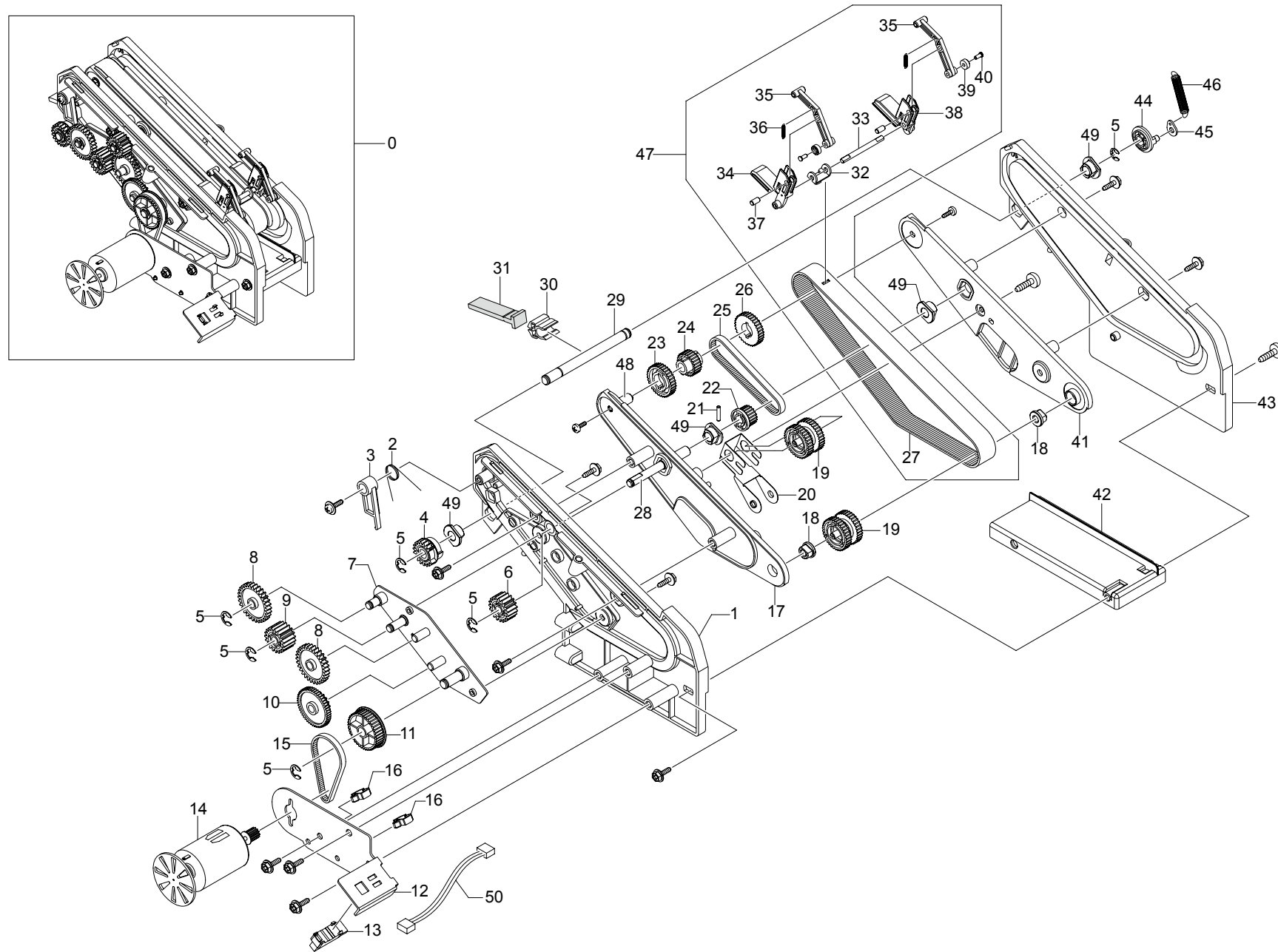
Extension tray unit parts list

SA : SERVICE AVAILABLE, SNA : SERVICE not AVAILABLE

Drawer#	SEC_Code	Description	QT'y	Service	Grade	Remark
0	-	EXTENTION TRAY UNIT	1	SNA	D	
1	JC81-03769B	AS-SUPP FINGER ASSY_F	1	SA	B	
1-1	JC81-03483B	AS-TRAY BERO	1	SA	B	
1-2	-	BKT:TRAY:BERO:ASSY	1	SNA	D	
1-3	JC81-03494A	AS-RACK PINION Z18	1	SA	B	
1-4	-	SHAFT:RACK PINION	1	SNA	D	
1-5	-	PARALLEL PIN:2x10	1	SNA	D	
1-6	JC81-03521A	AS-GEARZ30	1	SA	B	
1-7	-	ROLLER:BERO:LOWER	1	SNA	D	
1-8	-	E-RING:2.5	1	SNA	D	
1-9	-	ROLLER:BERO:UPPER	1	SNA	D	
1-10	-	SHAFT:ROLLER:BERO	1	SNA	D	
1-11	-	E-RING:3	1	SNA	D	
1-12	JC61-00423A	BUSH-6_D	1	SA	B	
1-13	-	E-RING:4	1	SNA	D	
2	JC81-03770A	AS-SUPP FINGER ASSY_R	1	SA	B	
2-1-1	JC81-03483A	AS-TRAY BERO	1	SA	B	
2-1-2	-	BKT:TRAY:BERO:ASSY	1	SNA	D	
2-1-3	JC81-03494A	AS-RACK PINION Z18	1	SA	B	

Drawer#	SEC_Code	Description	QT'y	Service	Grade	Remark
2-1-4	-	SHAFT:RACK PINION	1	SNA	D	
2-1-5	-	PARALLEL PIN:2x10	1	SNA	D	
2-1-6	JC81-03521A	AS-GEAR Z30	1	SA	B	
2-1-7	-	ROLLER:BERO:LOWER	1	SNA	D	
2-1-8	-	E-RING:2.5	1	SNA	D	
2-1-9	-	ROLLER:BERO:UPPER	1	SNA	D	
2-1-10	-	SHAFT:ROLLER:BERO	1	SNA	D	
2-1-11	-	E-RING:3	1	SNA	D	
2-1-12	JC61-00423A	BUSH-6_D	1	SA	B	
2-1-13	-	E-RING:4	1	SNA	D	
3	0604-001095	PHOTO-INTERRUPTER	1	SA	B	
4	-	FRAME:BERO	1	SNA	D	
5	JC81-03493A	AS-GEAR Z20	1	SA	B	
6	JC81-03522A	AS-GEAR Z60	1	SA	B	
7	JC81-03473A	AS-MOTOR PM ASSY Z18	1	SA	B	
8	-	SHAFT:TRANS:BERO	1	SNA	D	
8-1-12	JC61-00423A	BUSH-6_D	1	SA	B	
8-1-13	-	E-RING:4	1	SNA	D	

44-5. Ejector unit



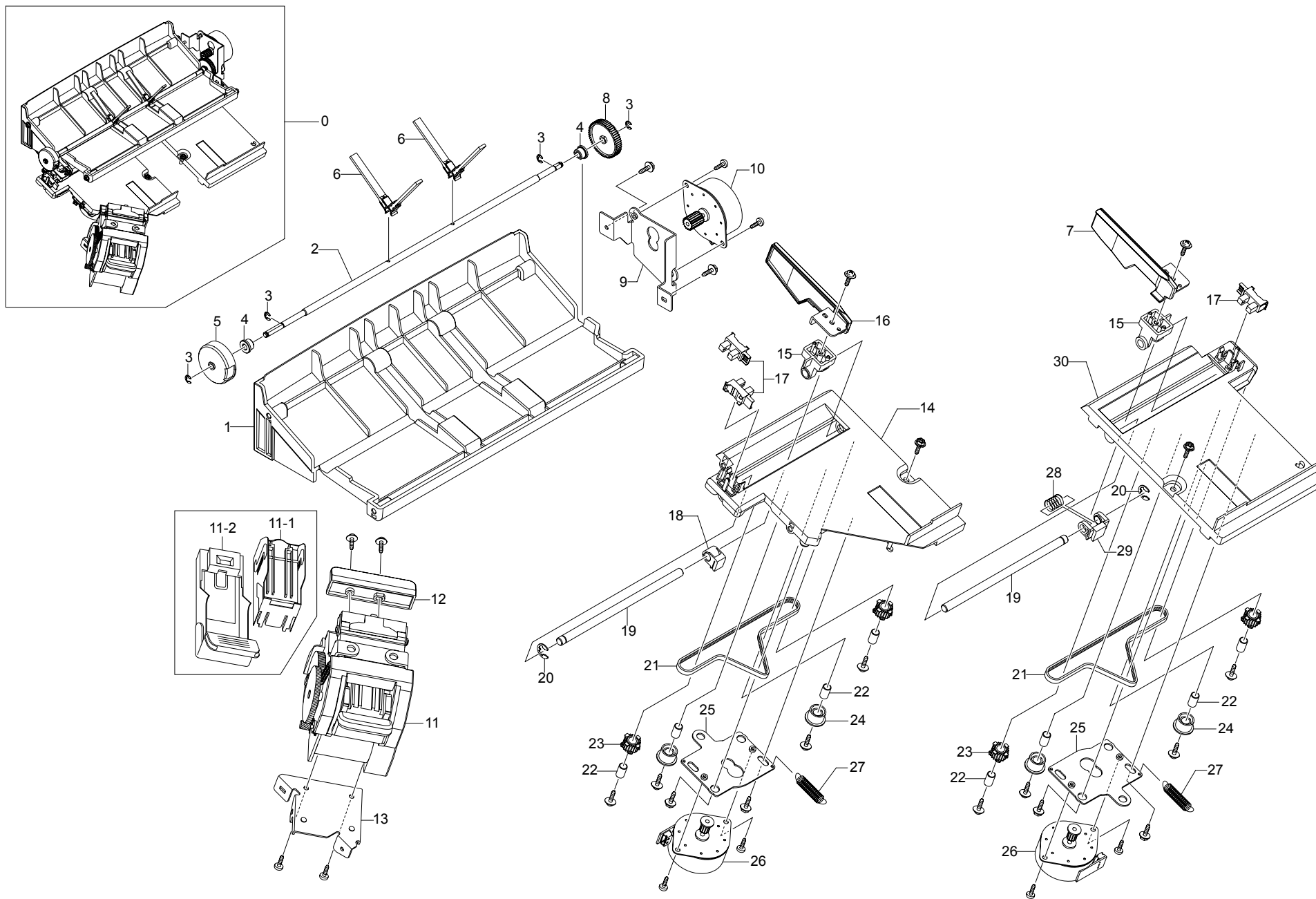
Ejector unit parts list

SA : SERVICE AVAILABLE, SNA : SERVICE not AVAILABLE

Drawer#	SEC_Code	Description	QT'y	Service	Grade	Remark
0	JC81-03773A	AS-EJECTOR UNIT ASSY	1	SA	B	
1	-	FRMAE:FRONT:EJECT	1	SNA	D	
2	-	T-SPRING:LATCH:SCU	1	SNA	D	
3	-	HOOK:CAM:EJECT	1	SNA	D	
4	JC81-03526A	AS-GEAR CAM SCU	1	SA	B	
5	-	E-RING:4	1	SNA	D	
6	JC81-03495A	AS-SPUR GEAR Z19	1	SA	B	
7	-	ASSY:BKT:DRIVING:EJECT	1	SNA	D	
8	JC81-03504A	AS-SPUR GEAR Z30	1	SA	B	
9	JC81-03503A	AS-SPUR GEAR Z19 SCU	1	SA	B	
10	JC81-03502A	AS-GEAR M08Z19M05Z50	1	SA	B	
11	JC81-03501A	AS-PULLEY S2MT40M05T24	1	SA	B	
12	-	BKT:DC MOTOR:EJECT	1	SNA	D	
13	0604-001095	PI SENSOR:GP1S73P2	1	SA	A	
14	JC81-03474A	AS-MOTOR EJECT	1	SA	B	
15	C81-03500A	AS-BELT B35S2M118J	1	SA	B	
16	-	MICRO WIRE SADDLE	1	SNA	D	
17	-	FRAME:BELT:EJECT:FRONT	1	SNA	D	
18	JC61-00424A	BUSH-4_D	1	SA	B	
19	C81-03499A	AS-PULLEY S2M34TJ	1	SA	B	
20	-	PLATE SPRING:TIGHTNER:EJECT	1	SNA	D	
21	-	PARALLEL PIN:2x10	1	SNA	D	
22	JC81-03498A	AS-PULLEY S2M20T	1	SA	B	
23	JC81-03497A	AS-PULLEY DRVS2M34T	1	SA	B	
24	JC81-03496A	AS-PULLEY S2M25T	1	SA	B	
25	JC81-03513A	AS-BELT B35S2M144	1	SA	B	
26	-	FRAME:BERO	1	SNA	D	
27	JC81-03512A	AS-BELT ASSY EJECT	1	SA	B	
27-1	-	BELT-EJECT B130S2M370	1	SNA	D	

Drawer#	SEC_Code	Description	QT'y	Service	Grade	Remark
27-2	-	HOLER-BELT EJECT	1	SNA	D	
28	-	SHAFT:BELT TRANS:EJECT	1	SNA	D	
29	-	SHAFT:SCU	1	SNA	D	
30	-	HOLDER:SCU	1	SNA	D	
31	-	PADDLE:SCU	1	SNA	D	
32	-	ASSY:M/H:EXT TRAY HOME SNR	1	SNA	D	
33	-	SHAFT D-CUT:GRIP HINGE:EJECT	1	SNA	D	
34	-	GRIP BASE:FRONT:EJECT	1	SNA	D	
35	-	GRIP LINK:EJECT	1	SNA	D	
36	-	E-SPRING:GRIP	1	SNA	D	
37	-	SHAFT:GRIP HINGE:EJECT	1	SNA	D	
38	-	GRIP BASE:REAR:EJECT	1	SNA	D	
39	-	ROLLER:GRIP:EJECT	1	SNA	D	
40	-	PIN:ROLLER:EJECT	1	SNA	D	
41	-	FRAME:BELT:EJECT:REAR	1	SNA	D	
42	-	FRAME:RETURN:EJECT	1	SNA	D	
43	-	FRAME:REAR:EJECT	1	SNA	D	
44	-	ROTATOR:CAM:SCU	1	SNA	D	
45	-	HOOK:SPRING:SCU	1	SNA	D	
46	-	E-SPRING:CLUTCH:SCU	1	SNA	D	
47	JC81-03772A	AS-EJT BELT SUBASSY	1	SA	B	
48	-	SHAFT:BELT PULLEY:EJECT	1	SNA	D	
49	JC61-00423A	BUSH-6_D	1	SA	B	
46	JC97-03162A	MEA UNIT-COVER SENSOR	1	SNA	D	
47	6107-001399	SPRING-ES	1	SNA	A	
48	6502-001093	CABLE CLAMP	6	SA	A	
49	6502-000121	CABLE CLAMP	2	SNA	E	

44-6. Compile unit



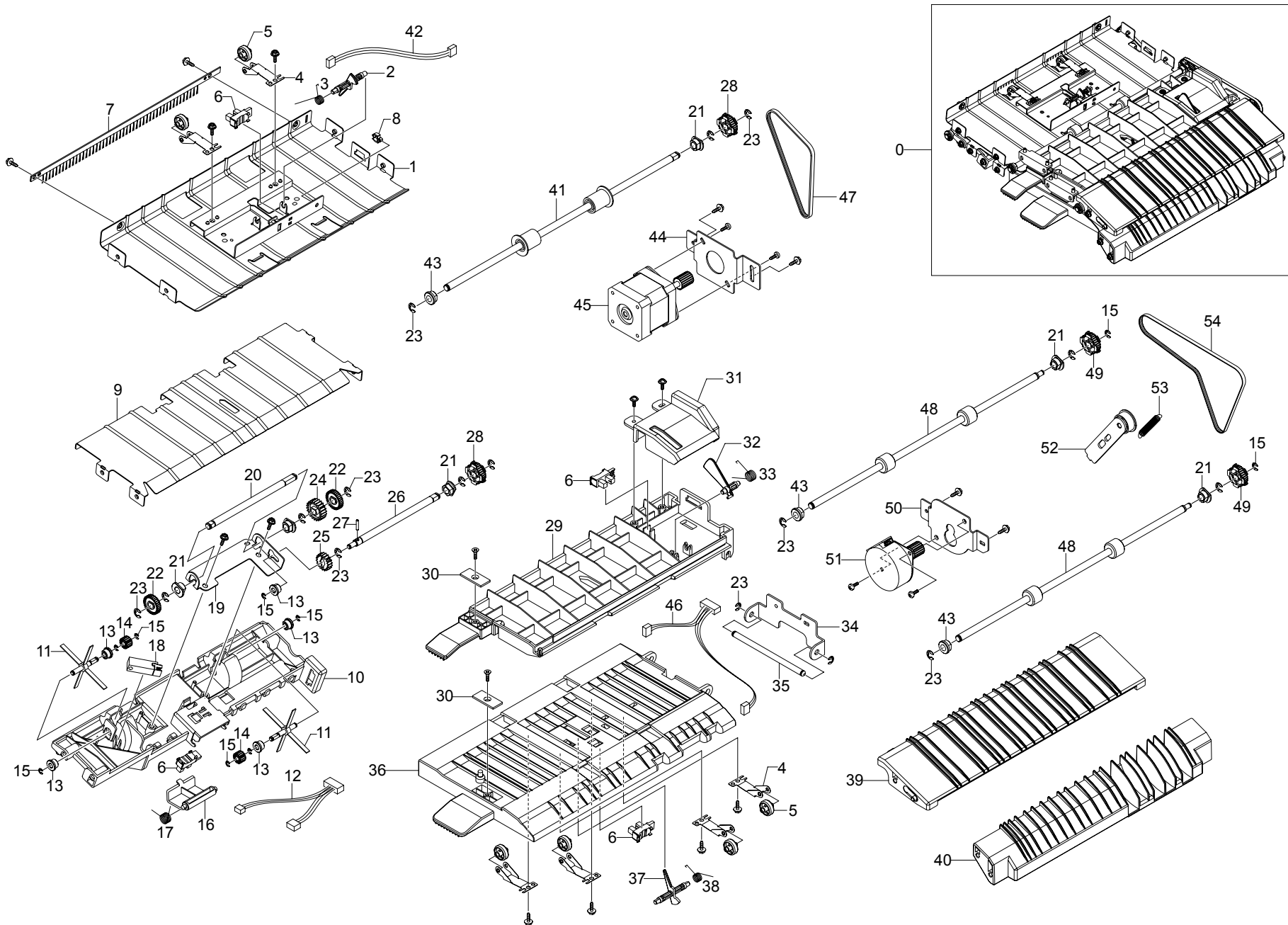
Compile unit parts list

SA : SERVICE AVAILABLE, SNA : SERVICE not AVAILABLE

Drawer#	SEC_Code	Description	QT'y	Service	Grade	Remark
1	-	COVER:COMPILE:UPPER	1	SNA	D	
2	-	SHAFT:PADDLE	1	SNA	D	
3	-	E-RING:3	1	SNA	D	
4	JC61-00424A	BUSH-4_D	1	SA	B	
5	-	ACTUATOR:HOME:PADDLE	1	SNA	D	
6	JC81-03482A	AS-PADDLE COMPILE	1	SA	B	
7	JC81-03510A	AS-GEAR PADDLE Z56	1	SA	B	
8	-	BKT:MOTOR:PADDLE	1	SNA	D	
9	JC81-03473A	AS-MOTOR PM ASSY Z18	1	SA	B	
10	JC81-03475A	AS-STAPLER ASSY EH-C590	1	SA	B	
10-1	JC81-03481A	AS-CARTRIDGE STAPLER No.590X	1	SA	B	
10-2	JC81-03476A	AS-STAPLES REFILL No.505XW	1	SA	B	
11	-	GUIDE:STAPLER	1	SNA	D	
12	-	BASEBKT:STAPLER	1	SNA	D	
13	JC81-03511B	AS-FRONT JOGGER ASSY	1	SA	B	
13-1	-	FRAME:COMPILE:FRONT	1	SNA	D	
13-2	-	LMBUSH:TAMPER	1	SNA	D	
13-3	-	SIDEFENCE:TAMPER:FRONT	1	SNA	D	

Drawer#	SEC_Code	Description	QT'y	Service	Grade	Remark
13-4	0604-001095	PHOTO-INTERRUPTER	1	SA	A	
13-5	-	HOLDER:BELT:TAMPER:FRONT	1	SNA	D	
13-6	-	LM SHAFT:TAMPER	1	SNA	D	
13-7	-	E-RING:4	1	SNA	D	
13-8	JC81-03509A	AS-BELT B40S2M290	1	SA	B	
13-9	-	HOLLOW SHAFT:D_6	1	SNA	D	
13-10	JC81-03508A	AS-PULLEY T20 TAMPER	1	SA	B	
13-11	-	ROLLER:TAMPER	1	SNA	D	
13-12	-	BKT:MOTOR:TAMPER	1	SNA	D	
13-13	JC81-03486A	AS-MOTOR PM ASSY S2M12T	1	SA	D	
13-14	-	E-SPRING:TIGHTNER:TAMPER	1	SNA	D	
13-15	-	SCREW-TAPTITE M3L10	1	SNA	D	
13-16	-	SCREW-TAPPING M3L8	1	SNA	D	
14	JC81-03507B	AS-REAR JOGGER ASSY	1	SA	B	
14-1	-	FRAME:COMPILE:REAR	1	SNA	D	
14-2	-	SIDE FENCE:TAMPER:REAR	1	SNA	D	
14-3	-	HOLDER:BELT:TAMPER:REAR	1	SNA	D	
14-4	-	C-SPRING:TAMPER	1	SNA	D	
15	-	DAMPER-SPONGE	1	SNA	D	

44-7. Feed unit



Feed unit parts list

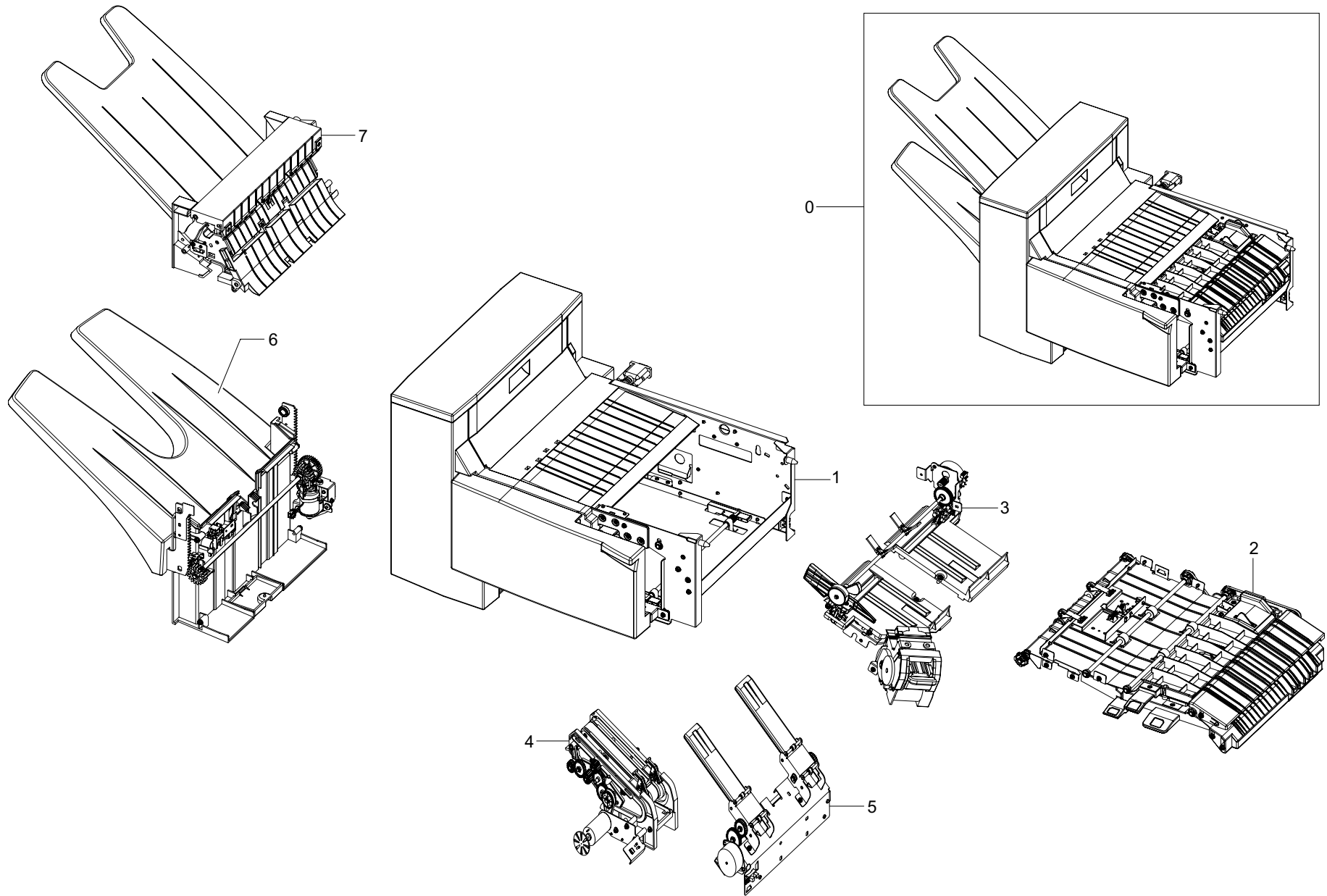
SA : SERVICE AVAILABLE, SNA : SERVICE not AVAILABLE

Drawer#	SEC_Code	Description	QT'y	Service	Grade	Remark
0	-	FEED UNIT	1	SNA	D	
1	-	GUIDE:EXIT:UPPER:ASSY	1	SNA	D	
2	-	ACTUATOR:FEED	1	SNA	D	
3	-	T-SPRING:ACTUATOR:FEED	1	SNA	D	
4	-	LEAF SPRING:FEED	1	SNA	D	
5	-	ROLLER:IDLE:FEED	1	SNA	D	
6	0604-001095	PHOTO-INTERRUPTER	1	SA	A	
7	JC67-00125A	ANTI-STATIC BRUSH	1	SA	B	
8	-	MICRO WIRE SADDLE	1	SNA	D	
9	-	GUIDE:EXIT:LOWER	1	SNA	D	
10	-	GUIDE:COMPILE	1	SNA	D	
11	JC81-03506A	AS-PADDLE SUB ASSY	1	SA	B	
12	-	ASSY:M/H:EJEC THOMESNR	1	SNA	D	
13	JC61-00424A	BUSH-4_D	1	SA	B	
14	JC81-03505A	AS-GEAR P Z18M05	1	SA	B	
15	-	E-RING:3	1	SNA	D	
16	-	ACTUATOR:EJECTOR	1	SNA	D	
17	-	T-SPRING:ACTUATOR:EJECT	1	SNA	D	
18	JC81-03480A	AS-SENSOR PHOTO	1	SA	B	
19	-	BKT:PADDLE:SUB	1	SNA	D	
20	-	SHAFT:TRANS:SUB PADDLE	1	SNA	D	
21	-	BUSH-6_D	1	SNA	D	
22	JC81-03520A	AS-GEAR SUB PDL Z34	1	SA	B	
23	-	E-RING:4	1	SNA	D	
24	JC81-03519A	AS-GEAR SUB PDL Z22	1	SA	B	
25	JC81-03518A	AS-GEAR SUB PDL Z18M08	1	SA	B	
26	-	SHAFT:TRANS:SUB PADDLE:FEED	1	SNA	D	
27	-	PARALLEL PIN:2x10	1	SNA	D	

Drawer#	SEC_Code	Description	QT'y	Service	Grade	Remark
28	JC81-03517A	AS-PULLEY T30S2M	1	SA	B	
29	-	GUIDE:OPEN:DUPLEX	1	SNA	D	
30	-	MAGNET CATCHPLATE:12x26	1	SNA	D	
31	-	COVER:ACTUATOR:DUPLEX	1	SNA	D	
32	-	ACTUATOR:DUPLEX	1	SNA	D	
33	-	T-SPRING:ACTUATOR:DUPLEX	1	SNA	D	
34	-	BKT:HINGE:GUIDE	1	SNA	D	
35	-	SHAFT:HINGE:GUIDE	1	SNA	D	
36	-	GUIDE:OPEN	1	SNA	D	
37	-	ACTUATOR:FEED	1	SNA	D	
38	-	T-SPRING:ACTUATOR:STACK	1	SNA	D	
39	-	GUIDE:ENTRANCE:UPPER	1	SNA	D	
40	-	GUIDE:ENTRANCE:LOWER	1	SNA	D	
41	JC81-03477A	AS-ROLLER EXIT	1	SA	B	
42	-	ASSY:M/H:EXIT SNR	1	SNA	D	
43	-	BEARING:6	1	SNA	D	
44	-	BKT:MOTOR:FEED:EXIT	1	SNA	D	
45	JC81-03479A	AS-MOTOR HB ASSY	1	SA	B	
46	-	ASSY:M/H:MID SNR	1	SNA	D	
47	JC81-03516A	AS-BELT B30S2M244	1	SA	B	
48	JC81-03485A	AS-ROLLERENT	1	SA	B	
49	JC81-03515A	AS-PULLEY T33S2M	1	SA	B	
50	-	BKT:MOTOR:FEED:ENT	1	SNA	D	
51	JC81-03478A	AS-MOTOR PM ASSY	1	SA	B	
52	-	ASSY:BKT:TIGHTNER	1	SNA	D	
53	-	E-SPRING:TIGHTNER:FEED	1	SNA	D	
54	JC81-03514A	AS-BELT B30S2M354 ENT	1	SA	B	
55	JC81-03771A	AS-FEED UNIT ASSY	1	SA	B	
56	-	E-RING:2.5	1	SNA	D	

45. 2Bin finisher (SCX-FIN20S)

45-1. Main finisher



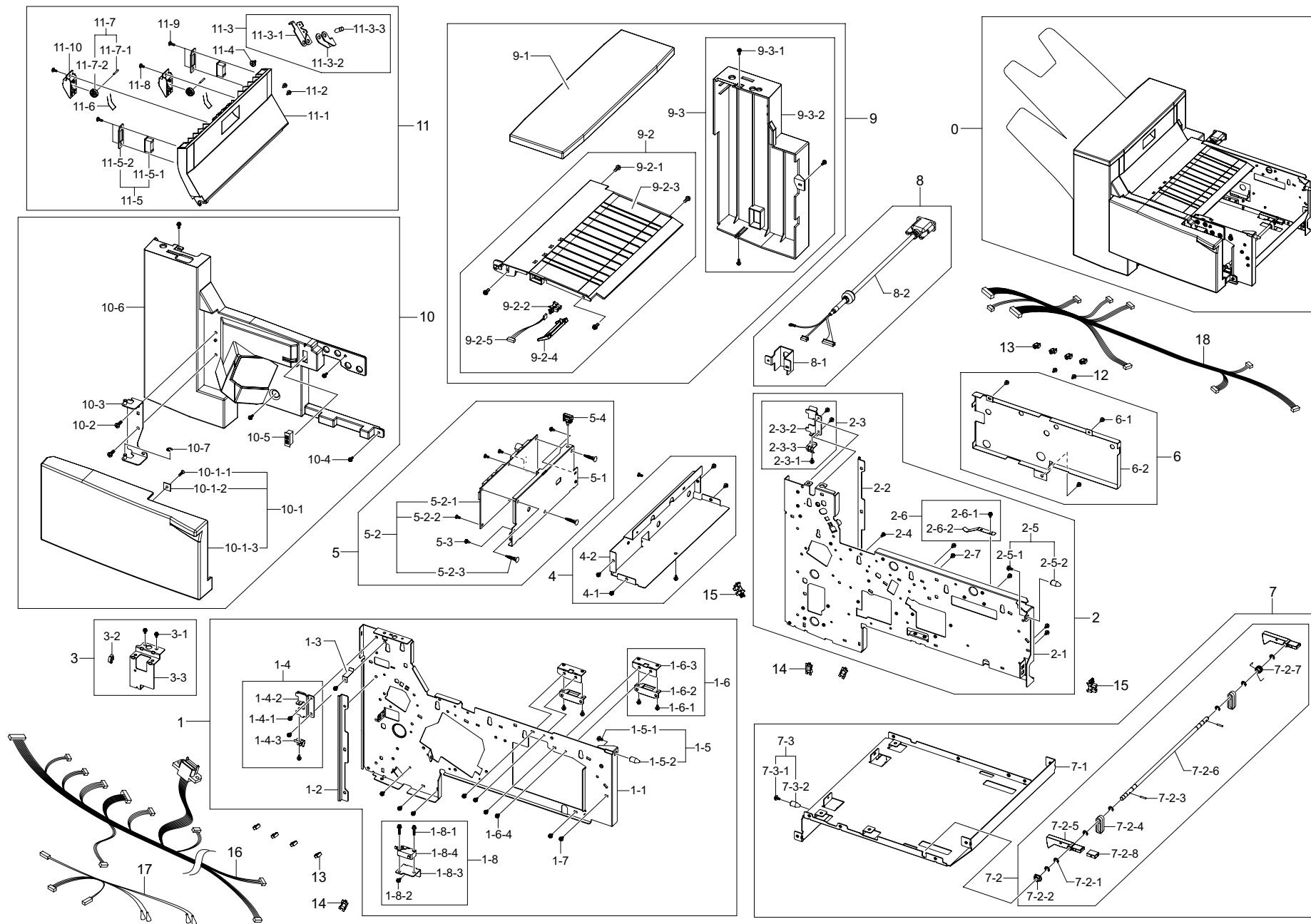
Main finisher parts list

SA : SERVICE AVAILABLE, SNA : SERVICE not AVAILABLE

Drawing#	SEC_Code	Description	QT'y	Service	Remark
0	JC96-00942A	SCX-FIN20S	1	SNA	
1	/	FRAME UNIT	1	SNA	KRDC(JR10 1000)
2	/	FEED UNIT	1	SNA	KRDC(JR10 2000)
3	/	COMPILE UNIT	1	SNA	KRDC(JR10 3000)

Drawing#	SEC_Code	Description	QT'y	Service	Remark
4	JC81-03773B	EJECT UNIT	1	SA	
5	/	EXTENTION TRAY UNIT	1	SNA	KRDC(JR10 5000)
6	/	STACKER UNIT	1	SNA	KRDC(JR10 6000)
7	/	TOP TRAY UNIT	1	SNA	KRDC(JR10 7000)

45-2. Frame unit



Frame unit parts list

SA : SERVICE AVAILABLE, SNA : SERVICE not AVAILABLE

Drawing#	SEC_Code	Description	QT'y	Service	Remark
0	/	FRAME UNIT	1	SNA	KRDC(JR10 1000)
1	/	FRAME:FRONT:SUB ASSY	1	SNA	KRDC(JR10 1120)
1-1	/	FRAME:FRONT	1	SNA	KRDC(JR10 1216A)
1-2	/	BKT:ROLL GUIDE:TRAY MOVE	1	SNA	KRDC(SJ10 1281A)
1-3	/	EARTH PLATE:TOP TRAY:ANTI STATIC:TOP TRAY	1	SNA	KRDC(JR10 1232A)
1-4	/	JOINT BKT:FRONT:SET	1	SNA	KRDC(JR10 1126)
1-4-1	/	HEXAGON HEADED SCREW:M3×6:T3	3	SNA	KRDC(0451 3006N)
1-4-2	/	JOINT BKT:FRONT FRAME	1	SNA	KRDC(JR10 1202A)
1-4-3	/	EARTH PLATE:JOINT	1	SNA	KRDC(JR10 1234A)
1-5	/	SET STUD:SUB ASSY	1	SNA	KRDC(SJ10 1113)
1-5-1	/	HEXAGON HEADED SCREW:M4×6:PC	1	SNA	KRDC(0360 4006N)
1-5-2	/	STUD:SET	1	SNA	KRDC(SJ10 1490A)
1-6	/	MAGNETIC CATCH:SUB ASSY	1	SNA	KRDC(SJ10 1124)
1-6-1	/	BIND HEADED SCREW:M3×6:PC	4	SNA	KRDC(0353 0060N)
1-6-2	JC81-03468A	ASSY:MAGNET:3.5KGF	2	SA	
1-6-3	/	BKT:MAGNET:GUIDE	2	SNA	KRDC(SJ10 1297A)
1-6-4	/	HEXAGON HEADED SCREW:M3×6:T3	4	SNA	KRDC(0451 3006N)
1-7	/	HEXAGON HEADED SCREW:M3×6:T3	5	SNA	KRDC(0451 3006N)
1-8	/	DOOR I/L SWITH:SUB ASSY	1	SNA	KRDC(SJ10 1122)
1-8-1	/	HEXAGON HEADED SCREW:M3×14:PC	2	SNA	KRDC(0360 3014N)
1-8-2	/	HEXAGON HEADED SCREW:M3×6:T3	1	SNA	KRDC(0451 3006N)
1-8-3	/	BKT:INTERLOCK:DOOR OPEN	1	SNA	KRDC(SJ10 1298A)
1-8-4	JC81-03469A	MICRO SWITCH:VP333A-0D	1	SA	
2	/	FRAME:REAR:SUB ASSY	1	SNA	KRDC(JR10 1130)
2-1	/	FRAME:REAR	1	SNA	KRDC(JR10 1218A)

Drawing#	SEC_Code	Description	QT'y	Service	Remark
2-2	/	BKT:ROLL GUIDE:TRAY MOVE	1	SNA	KRDC(SJ10 1281A)
2-3	/	JOINT BKT:REAR:SET	1	SNA	KRDC(JR10 1136)
2-3-1	/	HEXAGON HEADED SCREW:M3×6:T3	3	SNA	KRDC(0451 3006N)
2-3-2	/	JOINT BKT:REAR FRAME	1	SNA	KRDC(JR10 1204A)
2-3-3	/	EARTH PLATE:JOINT	1	SNA	KRDC(JR10 1234A)
2-4	/	BIND HEADED SCREW:M3×6:PC	1	SNA	KRDC(0353 0060N)
2-5	/	SET STUD:SUB ASSY	1	SNA	KRDC(SJ10 1113)
2-5-1	/	HEXAGON HEADED SCREW:M4×6:PC	1	SNA	KRDC(0360 4006N)
2-5-2	/	STUD:SET	1	SNA	KRDC(SJ10 1490)
2-6	/	LEAF SPRING:EARTH:SET	1	SNA	KRDC(SJ10 1134)
2-6-1	/	HEXAGON HEADED SCREW:M3×6:T3	2	SNA	KRDC(0451 3006N)
2-6-2	/	LEAF SPRING:EARTH	2	SNA	KRDC(SJ10 1279)
2-7	/	HEXAGON HEADED SCREW:M3×6:T3	5	SNA	KRDC(0451 3006N)
3	/	BKT:DRAWER CN:FRAME:SET	1	SNA	KRDC(JR10 1189)
3-1	/	HEXAGON HEADED SCREW:M3×6:T3	2	SNA	KRDC(0451 3006N)
3-2	/	MICRO WIRE SADDLE	1	SNA	KRDC(1105 0232)
3-3	/	BKT:DRAWER CN:FRAME	1	SNA	KRDC(JR10 1220A)
4	/	BKT:SUPPORT:EJECTOR:SET	1	SNA	KRDC(JJR10 1140)
4-1	/	HEXAGON HEADED SCREW:M3×6:T3	5	SNA	KRDC(0451 3006N)
4-2	/	BKT:SUPPORT:EJECTOR	1	SNA	KRDC(JR10 1230A)
5	/	MAIN PCB:SUB ASSY	1	SNA	KRDC(SJ10 1140)
5-1	/	BKT:MAIN PCB	1	SNA	KRDC(SJ10 1289A)
5-2	/	PCB:SET	1	SNA	KRDC(SJ10 1141)
5-2-1	JC81-07242A	AS-PCB MAIN ASSY	1	SA	
5-2-2	/	BIND HEADED SCREW:M3×6:PC	3	SNA	KRDC(0353 0060N)

Frame unit parts list

SA : SERVICE AVAILABLE, SNA : SERVICE not AVAILABLE

Drawing#	SEC_Code	Description	QT'y	Service	Remark
5-2-3	/	BUTTON LOCKING SUPPORT:BLSS 12	3	SNA	KRDC(1181 11209)
5-3	/	HEXAGON HEADED SCREW:M3×6:T3	2	SNA	KRDC(0451 3006N)
5-4	/	SIDE LOCKING SADDLE	1	SNA	KRDC(1105 03101)
6	/	REAR COVER BKT:SET	1	SNA	KRDC(JR10 1170)
6-1	/	HEXAGON HEADED SCREW:M3×6:T3	3	SNA	KRDC(0451 3006N)
6-2	/	PLATE:COVER REAR:FRAME	1	SNA	KRDC(JR10 1222A)
7	/	BASE:SUB ASSY	1	SNA	KRDC(JR10 1110)
7-1	/	FRAME:BASE	1	SNA	KRDC(SJ10 1221C)
7-2	/	SET HOOK:SUB ASSY	1	SNA	KRDC(SJ10 1111)
7-2-1	/	E-RING:Φ4	7	SNA	KRDC(1720 0040G)
7-2-2	JC61-00423A	BUSH-6_D	1	SA	
7-2-3	/	PARALLEL PIN:Φ2×10	2	SNA	KRDC(P632 0100G)
7-2-4	/	GUIDE:SET	2	SNA	KRDC(SJ10 1361)
7-2-5	/	HOOK:INSTALL	2	SNA	KRDC(SJ10 1373)
7-2-6	/	SHAFT:HOOK:SET	1	SNA	KRDC(SJ10 1480A)
7-2-7	/	T-SPRING:HOOK:SET	1	SNA	KRDC(SJ10 1683)
7-2-8	/	LABEL:HANDLE 1c	1	SNA	KRDC(SJ10 2796B)
7-3	/	SET STUD:SUB ASSY	1	SNA	KRDC(SJ10 1113)
7-3-1	/	HEXAGON HEADED SCREW:M4×6:PC	1	SNA	KRDC(0360 4006N)
7-3-2	/	STUD:SET	1	SNA	KRDC(SJ10 1490A)
8	/	INTERFACE M/H:SET	1	SNA	KRDC(SJ10 1187)
8-1	/	BKT:CORD BUSH:I/F	1	SNA	KRDC(SJ10 1285B)
8-2	JC81-03470A	AS-MH INTERFACE ASSY	1	SA	
9	/	EXTERIOR:ASSY	1	SNA	KRDC(JR10 1150)
9-1	JC81-07243A	AS-COVER TOP	1	SA	
9-2	JC81-07245A	AS-DUPLEX GUIDE SUB ASSY	1	SA	

Drawing#	SEC_Code	Description	QT'y	Service	Remark
9-2-1	/	HEXAGON HEADED SCREW:M4×10:T2	4	SNA	KRDC(0450 4010N)
9-2-2	0604-001095	PI SENSOR:GP1S73P2	1	SA	
9-2-3	/	COVER:DUPLEX:FRAME	1	SNA	KRDC(JR10 1302A)
9-2-4	/	ACTUATOR:JAM DETECT:TOP TRAY	1	SNA	KRDC(JR10 8350A)
9-2-5	/	ASSY:MH:GATE JAM SNR	1	SNA	KRDC(JR10 7313A)
9-3	/	REAR COVER:SET	1	SNA	KRDC(JR10 11519)
9-3-1	/	HEXAGON HEADED SCREW:M3×8:T3	3	SNA	KRDC(0451 3008N)
9-3-2	JC81-07244A	AS-COVER REAR	1	SA	
10	/	FRONT COVER:SET ASSY	1	SNA	KRDC(JR10 1160)
10-1	/	ASSY:DOOR COVER	1	SNA	KRDC(JR10 1165)
10-1-1	/	COUNTERSINK SCREW:M3×10:T2	1	SNA	KRDC(0323 0102N)
10-1-2	/	MAGNET CATCH PLATE:TB	1	SNA	KRDC(CF10 T209)
10-1-3	JC81-07246A	AS-COVER DOOR FRONT	1	SA	
10-2	/	BIND SCREW:M4×12:T2	2	SNA	KRDC(0414 0122N)
10-3	/	ASSY:BKT:HINGE DOOR:FRAME	1	SNA	KRDC(JR10 1206A)
10-4	/	HEXAGON HEADED SCREW:M3×8:T3	5	SNA	KRDC(0451 3008N)
10-5	JC81-07247A	AS-MAGNET BY3_32_1	1	SA	
10-6	JC81-07248A	COVER:FRONT	1	SA	
10-7	/	E-RING:Φ4	1	SNA	KRDC(1720 0040G)
11	/	COVER:JAM GUIDE TOP:ASSY	1	SNA	KRDC(JR10 1180)
11-1	JC81-07249A	COVER:JAM GUIDE TOP:FRAME	1	SA	
11-2	/	HEXAGON HEADED SCREW:M3×6:T3	2	SNA	KRDC(0451 3006N)
11-3	/	HINGE BKT:JAM GUIDE:SUB ASSY	1	SNA	KRDC(JR10 1187)

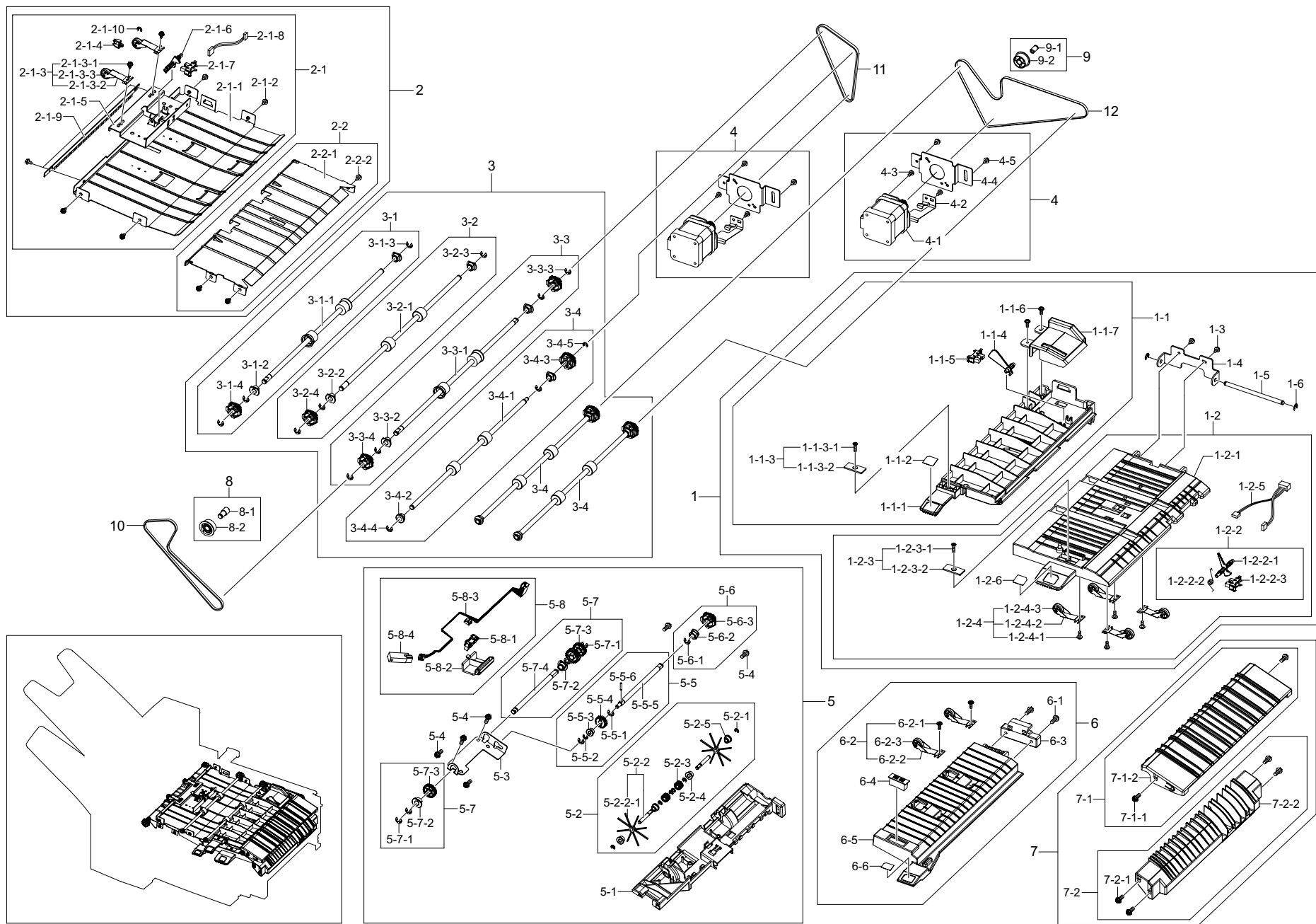
Frame unit parts list

SA : SERVICE AVAILABLE, SNA : SERVICE not AVAILABLE

Drawing#	SEC_Code	Description	QT'y	Service	Remark
11-3-1	/	HINGE BKT:JAM GUIDE UPPER:FRAME	1	SNA	KRDC(JR10 1210A)
11-3-2	/	HINGE BKT:JAM GUIDE LOWER:FRAME	1	SNA	KRDC(JR10 1212A)
11-3-3	/	SHAFT:JAM GUIDE HINGE:FRAME	1	SNA	KRDC(JR10 1404A)
11-4	/	STEP SCREW_M3x6 6_20	1	SNA	KRDC(JR10 1408 A)
11-5	/	BKT:MAGNET:SIDE DOOR:SUB ASSY	2	SNA	KRDC(JR10 1185)
11-5-1	JC81-07247A	AS-MAGNET BY3_32_1	2	SA	
11-5-2	/	BKT:MAGNET:SIDE DOOR	2	SNA	KRDC(JR10 1224A)
11-6	JC81-07272A	AS-T_SPRING GUIDE M/B	2	SA	
11-7	JC81-07268A	AS-ROLLER IDLE FEED ASSY	2	SA	
11-7-1	/	PARALLEL PIN:Φ2×14	2	SNA	KRDC(P632 0140G)
11-7-2	/	ROLLER:IDLE:FEED	2	SNA	KRDC(SJMB 2306A)

Drawing#	SEC_Code	Description	QT'y	Service	Remark
11-8	/	PAN WASHER HEADED SCREW:M3×6:T2	2	SNA	KRDC(0965 3006N)
11-9	/	BIND HEADED SCREW:M3×8:T2	4	SNA	KRDC(0452 3008N0)
11-10	/	BKT:MAGNET:SIDE DOOR:SUB ASSY	2	SNA	KRDC(JR10 1185)
12	/	HEXAGON HEADED SCREW:M3×6:T3	2	SNA	KRDC(0451 3006N)
13	/	MICRO WIRE SADDLE	14	SNA	KRDC(1105 0232)
14	/	COVER SADDLE:DS-1	3	SNA	KRDC(1105 0328)
15	0604-001095	PI SENSOR:GP1S73P2	2	SA	
16	/	ASSY:M/H:FRONT FRAME	1	SNA	KRDC(SJ10 8310B)
17	/	ASSY:M/H:INTERLOCK	1	SNA	KRDC(SJ10 8330)
18	/	ASSY:M/H:REAR FRAME	1	SNA	KRDC(JR10 8320A)

45-3. Feed unit



Feed unit parts list

SA : SERVICE AVAILABLE, SNA : SERVICE not AVAILABLE

Drawing#	SEC_Code	Description	QT'y	Service	Remark
0	/	FEED UNIT	1	SNA	KRDC(JR10 2000)
1	/	JAM GUIDE:SET ASSY	1	SNA	KRDC(SJ10 2130)
1-1	/	DUPLEX GUIDE:SUB ASSY	1	SNA	KRDC(SJ10 2132)
1-1-1	/	GUIDE:OPEN:DUPLEX	1	SNA	KRDC(SJ10 2370A)
1-1-2	/	LABEL:HANDLE 1b	1	SNA	KRDC(SJ10 2794)
1-1-3	/	MAGNETIC PLATE:SUB	1	SNA	KRDC(SJ10 1165)
1-1-3-1	/	COUNTERSINK SCREW:M3×10:T2	1	SNA	KRDC(0323 0102N)
1-1-3-2	/	MAGNET CATCH PLATE:12×26	1	SNA	KRDC(AG90 1226)
1-2	/	JAM GUIDE:SUB ASSY	1	SNA	KRDC(SJ10 2135)
1-2-1	/	GUIDE:OPEN	1	SNA	KRDC(JS10 2330)
1-2-2	/	FEED SENSOR:SET	1	SNA	KRDC(SJ10 2137)
1-2-2-1	/	ACTUATOR:FEED	1	SNA	KRDC(SJ10 23841)
1-2-2-2	/	T-SPRING:ACTUATOR:FEED	1	SNA	KRDC(SJ10 2682)
1-2-2-3	0604-001095	PI SENSOR:GP1S73P2	1	SA	
1-2-3	/	MAGNETIC PLATE:SUB	1	SNA	KRDC(SJ10 1165)
1-2-3-1	/	COUNTERSINK SCREW:M3×10:T2	1	SNA	KRDC(0323 0102N)
1-2-3-2	/	MAGNET CATCH PLATE:12×26	1	SNA	KRDC(AG90 1226)
1-2-4	/	IDLE ROLLER:SET ASSY	1	SNA	KRDC(SJ10 213)
1-2-4-1	/	PAN WASHER HEADED SCREW:M3×8:T2	4	SNA	KRDC(0965 3008N)
1-2-4-2	/	LEAF SPRING:FEED	4	SNA	KRDC(SJ10 2202)
1-2-4-3	/	ROLLER:IDLE:FEED	4	SNA	KRDC(SJ10 2302)
1-2-5	/	ASSY:M/H:MID SNR	1	SNA	KRDC(SJ10 8350B)
1-2-6	/	LABEL:HANDLE 1a	1	SNA	KRDC(SJ10 2792A)
1-3	/	HEXAGON HEADED SCREW:M3×6:T3	2	SNA	KRDC(0451 3006N)
1-4	/	BKT:HINGE:GUIDE	1	SNA	KRDC(SJ10 2204A)
1-5	/	SHAFT:HINGE:GUIDE	1	SNA	KRDC(SJ10 2404A)
1-6	/	E-RING:Φ4	2	SNA	KRDC(1720 0040G)

Drawing#	SEC_Code	Description	QT'y	Service	Remark
2	/	EXIT GUIDE:SET ASSY	1	SNA	KRDC(JR10 2150)
2-1	/	UPPER EXIT GUIDE:SET	1	SNA	KRDC(JR10 2152)
2-1-1	/	GUIDE PLATE:EXIT:FEED	1	SNA	KRDC(JR10 2204A)
2-1-2	/	HEXAGON HEADED SCREW:M3×6:T3	4	SNA	KRDC(0451 3006N)
2-1-3	/	IDLE ROLLER:SET ASSY	2	SNA	KRDC(SJ10 2143)
2-1-3-1	/	HEXAGON HEADED SCREW:M3×6:T3	2	SNA	KRDC(0451 3006N)
2-1-3-2	/	LEAF SPRING:FEED	2	SNA	KRDC(SJ10 2202)
2-1-3-3	/	ROLLER:IDLE:FEED	2	SNA	KRDC(SJ10 2302)
2-1-4	/	MICRO WIRE SADDLE	1	SNA	KRDC(1105 0232)
2-1-5	/	BKT:ROLLER:IDLE	1	SNA	KRDC(SJ10 2224B)
2-1-6	/	ACTUATOR:FEED	1	SNA	KRDC(SJ10 2384)
2-1-7	0604-001095	PI SENSOR:GP1S73P2	1	SA	
2-1-8	/	ASSY:M/H:EXIT SNR	1	SNA	KRDC(SJ10 8340B)
2-1-9	JC81-07254A	AS-ANTI-STATIC BRUSH FEED		SA	
2-1-10	/	E-RING:Φ3	1	SNA	KRDC(1720 0030G)
2-2	/	LOWER EXIT GUIDE:SET	1	SNA	KRDC(SJ10 2141)
2-2-1	/	GUIDE:EXIT:LOWER	1	SNA	KRDC(SJ10 2226F)
2-2-2	/	HEXAGON HEADED SCREW:M3×6:T3	4	SNA	KRDC(0451 3006N)
3	/	FEED ROLLER:SET ASSY	1	SNA	KRDC(JR10 2160)
3-1	/	ENTRANCE ROLLER:TOP TRAY:SET	1	SNA	KRDC(JR10 2163)
3-1-1	/	ROLLER:EXIT TOP:FEED	1	SNA	KRDC(JR10 2604A)
3-1-2	JC61-00423A	BUSH-6_D	2	SA	
3-1-3	/	E-RING:Φ4	3	SNA	KRDC(1720 0040G)
3-1-4	JC81-03517A	TIMING PULLEY:T30S2M:D-CUT	1	SA	
3-2	/	EXIT ROLLER:TOP TRAY:SET	1	SNA	KRDC(JR10 2164)
3-2-1	JC81-07251A	AS-ROLLER MAIN FEED	1	SA	
3-2-2	JC61-00423A	BUSH-6_D	2	SA	

Feed unit parts list

SA : SERVICE AVAILABLE, SNA : SERVICE not AVAILABLE

Drawing#	SEC_Code	Description	QT'y	Service	Remark
3-2-3	/	E-RING:Φ4	3	SNA	KRDC(1720 0040G)
3-2-4	JC81-03517A	TIMING PULLEY:T30S2M:D-CUT	1	SA	
3-3	/	EXIT ROLLER:SET	1	SNA	KRDC(JR10 2162)
3-3-1	JC81-07250A	AS-ROLLER EXIT FEED	1	SA	
3-3-2	JC61-00423A	BUSH-6_D	2	SA	
3-3-3	/	E-RING:Φ4	4	SNA	KRDC(1720 0040G)
3-3-4	JC81-03517A	TIMING PULLEY:T30S2M:D-CUT	2	SA	
3-4	/	ENTRANCE ROLLER:SET	3	SNA	KRDC(JR10 21618)
3-4-1	JC81-03485A	ROLLER:ENT	3	SA	
3-4-2	JC61-00423A	BUSH-6_D	6	SA	
3-4-3	JC81-03515A	AS-PULLEY T33S2M	3	SA	
3-4-4	/	E-RING:Φ4	6	SNA	KRDC(1720 0040G)
3-4-5	/	E-RING:Φ3	3	SNA	KRDC(1720 0030G)
4	/	FEED MOTOR:SET	2	SNA	KRDC(JR10 2171)
4-1	JC81-03479A	ASSY:HB MOTOR:S2M19T	2	SA	
4-2	/	EARTH PLATE:MOTOR:FEED	2	SNA	KRDC(JR10 2240A)
4-3	/	BIND HEADED SCREW:M3×6:PC	4	SNA	KRDC(0353 0060N)
4-4	/	BKT:MOTOR:FEED:EXIT	2	SNA	KRDC(SJ10 2208B)
4-5	/	HEXAGON HEADED SCREW:M3×6:T3	4	SNA	KRDC(0451 3006N)
5	JC81-03771A	GUIDE:COMPILE:ASSY	1	SA	
5-1	/	GUIDE:COMPILE:FILM:ASSY	1	SNA	KRDC(SJ10 2119A)
5-2	/	SUB PADDLE:SET	1	SNA	KRDC(SJ10 2111)
5-2-1	/	E-RING:Φ2.5	6	SNA	KRDC(1720 0025G)
5-2-2	JC81-03506A	PADDLE:SUB:ASSY	2	SA	
5-2-2-1	/	PADDLE:SUB	2	SNA	KRDC(SJ10 2658)
5-2-3	JC81-03505A	GEAR:SUB PADDLE:Z18:M05	2	SA	
5-2-4	JC61-00424A	BUSH-4_D	4	SA	
5-3	/	BKT:PADDLE:SUB	1	SNA	KRDC(SJ10 2232A)
5-4	/	HEXAGON HEADED SCREW:M4×10:T2	6	SNA	KRDC(0450 4010N)

Drawing#	SEC_Code	Description	QT'y	Service	Remark
5-5	/	SUB PADDLE GEARING:2nd STEP	1	SNA	KRDC(SJ10 2115)
5-5-1	/	E-RING:Φ4	2	SNA	KRDC(1720 0040G)
5-5-2	/	E-RING:Φ3	1	SNA	KRDC(1720 0030G)
5-5-3	JC61-00424A	BUSH-4_D	1	SA	
5-5-4	JC81-03518A	GEAR:SUB PADDLE:Z18:M08	1	SA	
5-5-5	/	SHAFT:TRANS:SUB PADDLE:FEED		SNA	KRDC(SJ10 2408A)
5-5-6	/	PARALLEL PIN:Φ2×10	1	SNA	P632 0100G
5-6	/	SUB PADDLE DRIVE PULLEY:SET	1	SNA	KRDC(SJ10 2117)
5-6-1	/	E-RING:Φ4	2	SNA	KRDC(1720 0040G)
5-6-2	JC61-00423A	BUSH-6_D	1	SA	
5-6-3	JC81-03517A	TIMING PULLEY:T30S2M:D-CUT	1	SA	
5-7	/	SUB PADDLE GEARING:1st STEP	1	SNA	KRDC(SJ10 2114)
5-7-1	/	E-RING:Φ4	4	SNA	KRDC(1720 0040G)
5-7-2	JC61-00423A	BUSH-6_D	2	SA	
5-7-3	JC81-03520A	GEAR:SUB PADDLE:Z34	2	SA	
5-7-4	/	SHAFT:TRANS:SUB PADDLE	1	SNA	KRDC(SJ10 2406A)
5-8	/	SENSOR:SET	1	SNA	KRDC(SJ10 2118)
5-8-1	0604-001095	PI SENSOR:GP1S73P2	1	SA	
5-8-2	/	ACTUATOR:EJECTOR	1	SNA	KRDC(SJ10 2382)
5-8-3	/	ASSY:M/H:EJECT HOME SNR	1	SNA	KRDC(SJ10 8360B)
5-8-4	JC81-03480A	PHOTO SENSOR:PS119ED1	1	SA	
6	/	MID GUIDE:SET ASSY	1	SNA	KRDC(JR10 2140)
6-1	/	HEXAGON HEADED SCREW:M4×10:T2	2	SNA	KRDC(0450 4010N)
6-2	/	IDLE ROLLER:SET ASSY	2	SNA	KRDC(SJ10 2136)
6-2-1	/	PAN WASHER HEADED SCREW:M3×8:T2	2	SNA	KRDC(JR10 2106)
6-2-2	/	LEAF SPRING:FEED	2	SNA	KRDC(SJ10 2202)

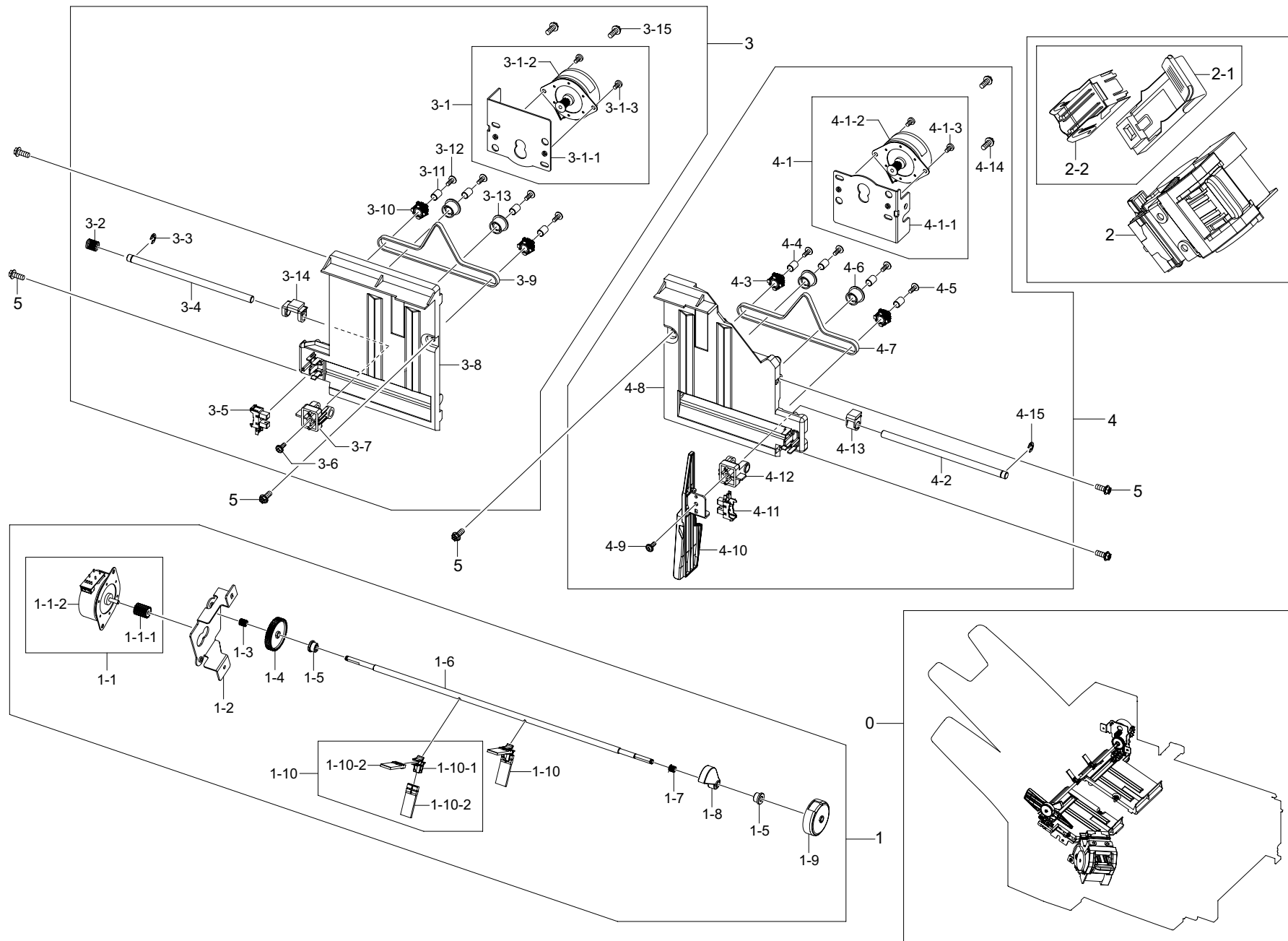
Feed unit parts list

SA : SERVICE AVAILABLE, SNA : SERVICE not AVAILABLE

Drawing#	SEC_Code	Description	QT'y	Service	Remark
6-2-3	/	ROLLER:IDLE:FEED	2	SNA	KRDC(SJ10 2302)
6-3	/	HINGE:GUIDE:FEED	1	SNA	KRDC(JR10 2302A)
6-4	JC81-07247A	AS-MAGNET BY3_32_1	1	SA	
6-5	/	GUIDE:MID_LOWER:FEED	1	SNA	KRDC(JR10 2304A)
6-6	/	LABEL:HANDLE 1d	1	SNA	KRDC(JR10 2798A)
7	/	ENTRANCE GUIDE:SET ASSY	1	SNA	KRDC(SJ10 2120)
7-1	/	ENTRANCE UPPER GUIDE:SET	1	SNA	KRDC(SJ10 2121)
7-1-1	/	HEXAGON HEADED SCREW:M4×10:T2	2	SNA	KRDC(0450 4010N)
7-1-2	/	GUIDE:ENTRANCE:UPPER	1	SNA	KRDC(SJ10 2340)
7-2	/	ENTRANCE LOWER GUIDE:SET	1	SNA	KRDC(SJ10 2122)
7-2-1	/	HEXAGON HEADED SCREW:M4×10:T2	4	SNA	KRDC(0450 4010N)

Drawing#	SEC_Code	Description	QT'y	Service	Remark
7-2-2	/	GUIDE:ENTRANCE:LOWER	1	SNA	KRDC(SJ10 2350)
8	/	BELT TIGHTNER:TOP TRAY:SET	1	SNA	KRDC(JR10 2175)
8-1	/	STUD:TOP TIGHTNER:FEED	1	SNA	KRDC(JR10 2404A)
8-2	/	ROLLER:TIGHTNER	1	SNA	KRDC(SJ10 2312)
9	/	ENT BELT TIGHTNER:SET	1	SNA	KRDC(JR10 2173)
9-1	/	STUD:ENT TIGHTNER:FEED	1	SNA	KRDC(JR10 2402A)
9-2	/	ROLLER:TIGHTNER	1	SNA	KRDC(SJ10 2312)
10	JC81-03514A	B30S2M354:ENT ROLLER	1	SA	
11	JC81-03516A	B30S2M244:EXIT ROLLER	1	SA	
12	JC81-07252A	AS-B30S2M520 ENT ROLLER	1	SA	

45-4. Compile unit



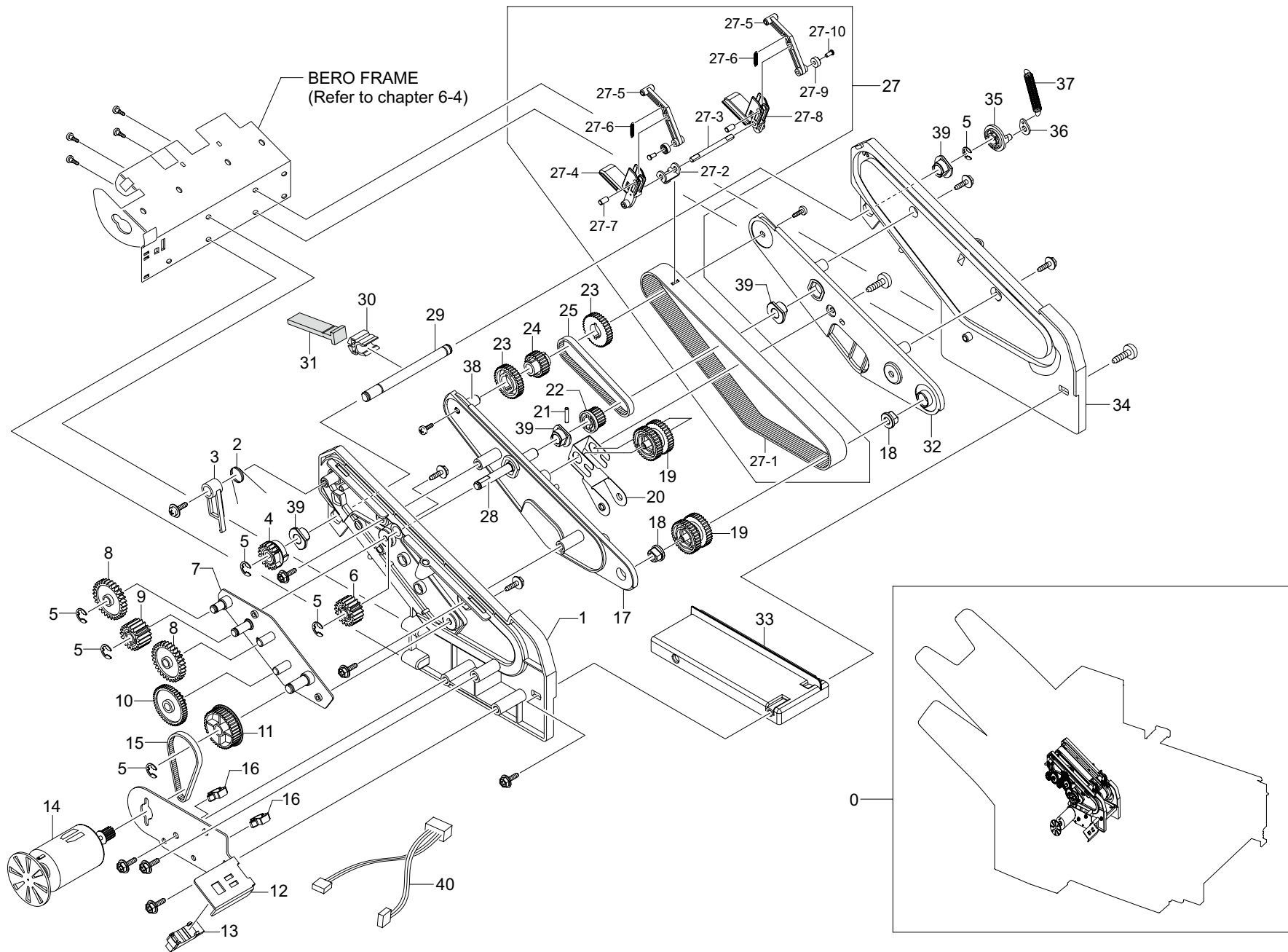
Compile unit parts list

SA : SERVICE AVAILABLE, SNA : SERVICE not AVAILABLE

Drawing#	SEC_Code	Description	QT'y	Service	Remark
0	/	COMPILE UNIT	1	SNA	KRDC(JR10 3000)
1	/	MAIN PADDLE:SET	1	SNA	KRDC(JR10 3130)
1-1	JC81-03473A	AS-ASSY PM MOTOR Z18	1	SA	
1-1-1	/	PM MOTOR:KDL42SCJ620A	1	SNA	KRDC(SB42 1802A)
1-1-2	/	SPUR GEAR:Z18	1	SNA	KRDC(SJ10 5342)
1-2	/	BKT:MOTOR:PADDLE	1	SNA	KRDC(SJ10 3202)
1-3	/	C-SPRING:PADDLE:JR	1	SNA	KRDC(JR10 3504A)
1-4	JC81-03510A	GEAR:Z56:PADDLE	1	SA	
1-5	JC61-00424A	BUSH-4_D	2	SA	
1-6	/	SHAFT:PADDLE MAIN:COMPILE	1	SNA	KRDC(JR10 3402A)
1-7	/	T-SPRING:CAM:JR	1	SNA	KRDC(JR10 3502A)
1-8	/	CAM:SEPARATE:COMPILE	1	SNA	KRDC(JR10 3302A)
1-9	/	ACTUATOR:HOME:PADDLE	1	SNA	KRDC(SJ10 3302A)
1-10	JC81-07255A	AS-PADDLE SUB ASSY	2	SA	
1-10-1	/	PADDLE:HOLDER	2	SNA	KRDC(SJ10 3310)
1-10-2	/	MAIN:PADDLE:JR	4	SNA	KRDC(JR10 3614)
2	JC81-03475A	STAPLER:EH-C590SS	1	SA	
2-1	JC81-03481A	CARTRIDGE:STAPLER:NO.590X	1	SA	
2-2	JC81-03476A	AS-STAPLESREFILLNo.505XW	1	SA	
3	JC81-03507B	REAR JOGGER ASSY:JR	1	SA	
3-1	/	TAMPER MOTOR:SUB ASSY	1	SNA	KRDC(SJ10 3115)
3-1-1	/	BKT:MOTOR:TAMPER	1	SNA	KRDC(SJ10 3206B)
3-1-2	JC81-03486A	ASSY:PM MOTOR:S2M12T	1	SA	
3-1-3	/	BIND HEADED SCREW:M3×6:PC	2	SNA	KRDC(0353 0060N)
3-2	/	C-SPRING:TAMPER	1	SNA	KRDC(SJ10 3682)
3-3	/	E-RING:Φ4	1	SNA	KRDC(1720 0040G)
3-4	/	LM SHAFT:TAMPER	1	SNA	KRDC(SJ10 3404A)
3-5	0604-001095	PI SENSOR:GP1S73P2	1	SA	
3-6	/	PAN WASHER HEADED SCREW:M3×8:T2	4	SNA	KRDC(0965 3008N)
3-7	/	LM BUSH:TAMPER	1	SNA	KRDC(SJ10 3318)

Drawing#	SEC_Code	Description	QT'y	Service	Remark
3-8	/	FRAME:COMPILE:REAR:JR	1	SNA	KRDC(JR10 3306A)
3-9	JC81-03509A	B40S2M290:TAMPER	1	SA	
3-10	JC81-03508A	TIMING PULLEY:T20:TAMPER	2	SA	
3-11	/	HOLLOW SHAFT:D_6	4	SNA	KRDC(SJ10 3402B)
3-12	/	PAN WASHER HEADED SCREW:M3×8:T2	4	SNA	KRDC(0965 3008N)
3-13	/	ROLLER:TAMPER	2	SNA	KRDC(SJ10 3306)
3-14	/	HOLDER:BELT:TAMPER:REAR	1	SNA	KRDC(SJ10 3316)
3-15	/	HEXAGON HEADED SCREW:M4×10:T2	3	SNA	KRDC(0450 4010N)
4	JC81-03511B	FRONT JOGGER ASSY:JR	1	SA	
4-1	/	TAMPER MOTOR:SUB ASSY	1	SNA	KRDC(SJ10 3115)
4-1-1	/	BKT:MOTOR:TAMPER	1	SNA	KRDC(SJ10 3206B)
4-1-2	JC81-03486A	ASSY:PM MOTOR:S2M12T	1	SA	
4-1-3	/	BIND HEADED SCREW:M3×6:PC	2	SNA	KRDC(0353 0060N)
4-2	/	LM SHAFT:TAMPER	1	SNA	KRDC(SJ10 3404A)
4-3	JC81-03508A	TIMING PULLEY:T20:TAMPER	2	SA	
4-4	/	HOLLOW SHAFT:D_6	4	SNA	KRDC(SJ10 3402B)
4-5	/	PAN WASHER HEADED SCREW:M3×8:T2	4	SNA	KRDC(0965 3008N)
4-6	/	ROLLER:TAMPER	2	SNA	KRDC(SJ10 3306)
4-7	JC81-03509A	B40S2M290:TAMPER	1	SA	
4-8	/	FRAME:COMPILE:FRONT:JR	1	SNA	KRDC(JR10 3304A)
4-9	/	PAN WASHER HEADED SCREW:M3×8:T2	1	SNA	KRDC(0965 3008N)
4-10	/	SIDE FENCE:TAMPER:FRONT	1	SNA	KRDC(SJ10 3350)
4-11	0604-001095	PI SENSOR:GP1S73P2	1	SA	
4-12	/	LM BUSH:TAMPER	1	SNA	KRDC(SJ10 3318)
4-13	/	HOLDER:BELT:TAMPER:FRONT	1	SNA	KRDC(SJ10 3314)
4-14	/	HEXAGON HEADED SCREW:M4×10:T2	2	SNA	KRDC(0450 4010N)
4-15	/	E-RING:Φ4	1	SNA	KRDC(1720 0040G)
5	/	HEXAGON HEADED SCREW:M4×10:T2	6	SNA	KRDC(0450 4010N)

45-5. Ejector unit



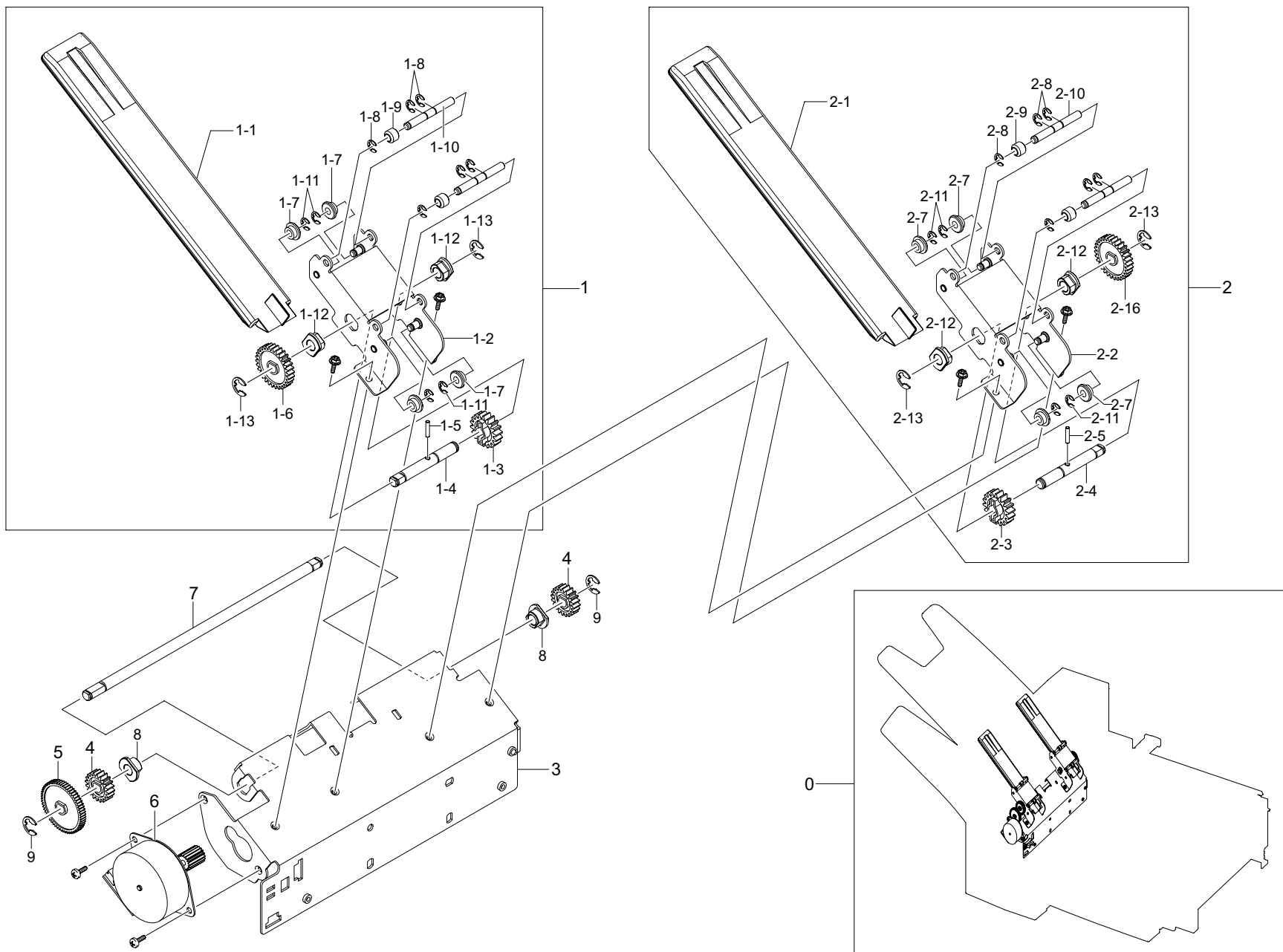
Ejector unit parts list

SA : SERVICE AVAILABLE, SNA : SERVICE not AVAILABLE

Drawing#	SEC_Code	Description	QT'y	Service	Remark
0	JC81-03773A	EJECT UNIT	1	SA	
1	/	EJECT FRAME:FRONT:SET	1	SNA	KRDC(SJ10 4131)
2	/	T-SPRING:LATCH:SCU	1	SNA	KRDC(SJ10 4686)
3	/	HOOK:CAM:EJECT	1	SNA	KRDC(SJ10 4316)
4	JC81-03526A	GEAR:CAM:SCU	1	SA	
5	/	E-RING:Φ4	8	SNA	KRDC(1720 0040G)
6	JC81-03495A	SPUR GEAR:Z19:D-CUT:EJECT	1	SA	
7	/	ASSY:BKT:DRIVING:EJECT	1	SNA	KRDC(SJ10 4206A)
8	JC81-03504A	SPUR GEAR:Z30	2	SA	
9	JC81-03503A	SPUR GEAR:Z19:SCU	1	SA	
10	JC81-03502A	GEAR:M08Z19M05Z50:EJECT	1	SA	
11	JC81-03501A	GEAR-PULLEY:S2MT40M05T24:EJECT	1	SA	
12	/	BKT:DC MOTOR:EJECT	1	SNA	KRDC(SJ10 4204B)
13	0604-001095	PI SENSOR:GP1S73P2	2	SA	
14	JC81-03474A	MOTOR EJECT	1	SA	
15	JC81-03500A	B30S2M118:EJECT:MOTOR	1	SA	
16	/	MICRO WIRE SADDLE	2	SNA	KRDC(1105 0232)
17	/	FRAME:BELT:EJECT:FRONT	1	SNA	KRDC(SJ10 4352A)
18	JC61-00424A	BUSH-4_D	4	SA	
19	JC81-03499A	PULLEY:S2M34T:EJECT	2	SA	
20	/	PLATE SPRING:TIGHTNER:EJECT	1	SNA	KRDC(SJ10 4212)
21	/	PARALLEL PIN:Φ2×10	1	SNA	KRDC(P632 0100G)
22	JC81-03498A	PULLEY:S2M20T:EJECT	1	SA	
23	JC81-03497A	PULLEY:DRIVE S2M34T:EJECT	2	SA	
24	JC81-03496A	PULLEY:S2M25T:EJECT	1	SA	

Drawing#	SEC_Code	Description	QT'y	Service	Remark
25	JC81-03513A	B30S2M144:EJECT:LINK	1	SA	
27	JC81-03772A	EJECT BELT:SUB ASSY	1	SA	
27-1	JC81-03512A	ASSY:BELT:EJECT	1	SA	
27-2	/	HOLDER:BELT:EJECT	1	SNA	KRDC(SJ10 4214A)
27-3	/	SHAFT D-CUT:GRIP HINGE:EJECT	1	SNA	KRDC(SJ10 4418B)
27-4	/	GRIP BASE:FRONT:EJECT	1	SNA	KRDC(SJ10 4334)
27-5	/	GRIP LINK:EJECT	1	SNA	KRDC(SJ10 4338C)
27-6	/	E-SPRING:GRIP	1	SNA	KRDC(SJ10 4682A)
27-7	/	PIN:ROLLER:EJECT	2	SNA	KRDC(SJ10 4420B)
27-8	/	GRIP BASE:REAR:EJECT	1	SNA	KRDC(SJ10 4336)
27-9	/	ROLLER:GRIP:EJECT	2	SNA	KRDC(SJ10 4342)
27-10	/	PIN:ROLLER:EJECT	2	SNA	KRDC(SJ10 4420B)
28	/	SHAFT:BELT TRANS:EJECT	1	SNA	KRDC(SJ10 4410B)
29	/	SHAFT:SCU	1	SNA	KRDC(SJ10 4412)
30	/	HOLDER:SCU	1	SNA	KRDC(SJ10 4364)
31	/	PADDLE:SCU	1	SNA	KRDC(SJ10 4702)
32	/	FRAME:BELT:EJECT:REAR	1	SNA	KRDC(SJ10 4354A)
33	/	FRAME:RETURN:EJECT	1	SNA	KRDC(SJ10 4302)
34	/	FRAME:REAR:EJECT	1	SNA	KRDC(SJ10 4322C)
35	/	ROTATOR:CAM:SCU	1	SNA	KRDC(SJ10 4318)
36	/	HOOK:SPRING:SCU	1	SNA	KRDC(SJ10 4210A)
37	/	E-SPRING:CLUTCH:SCU	1	SNA	KRDC(SJ10 4684)
38	/	SHAFT:BELT PULLEY:EJECT	1	SNA	KRDC(SJ10 4414A)
39	JC61-00423A	BUSH-6_D	4	SA	
40	/	ASSY:M/H:EXT TRAY HOME SNR	1	SNA	KRDC(SJ10 8380A)

45-6. Extension tray unit



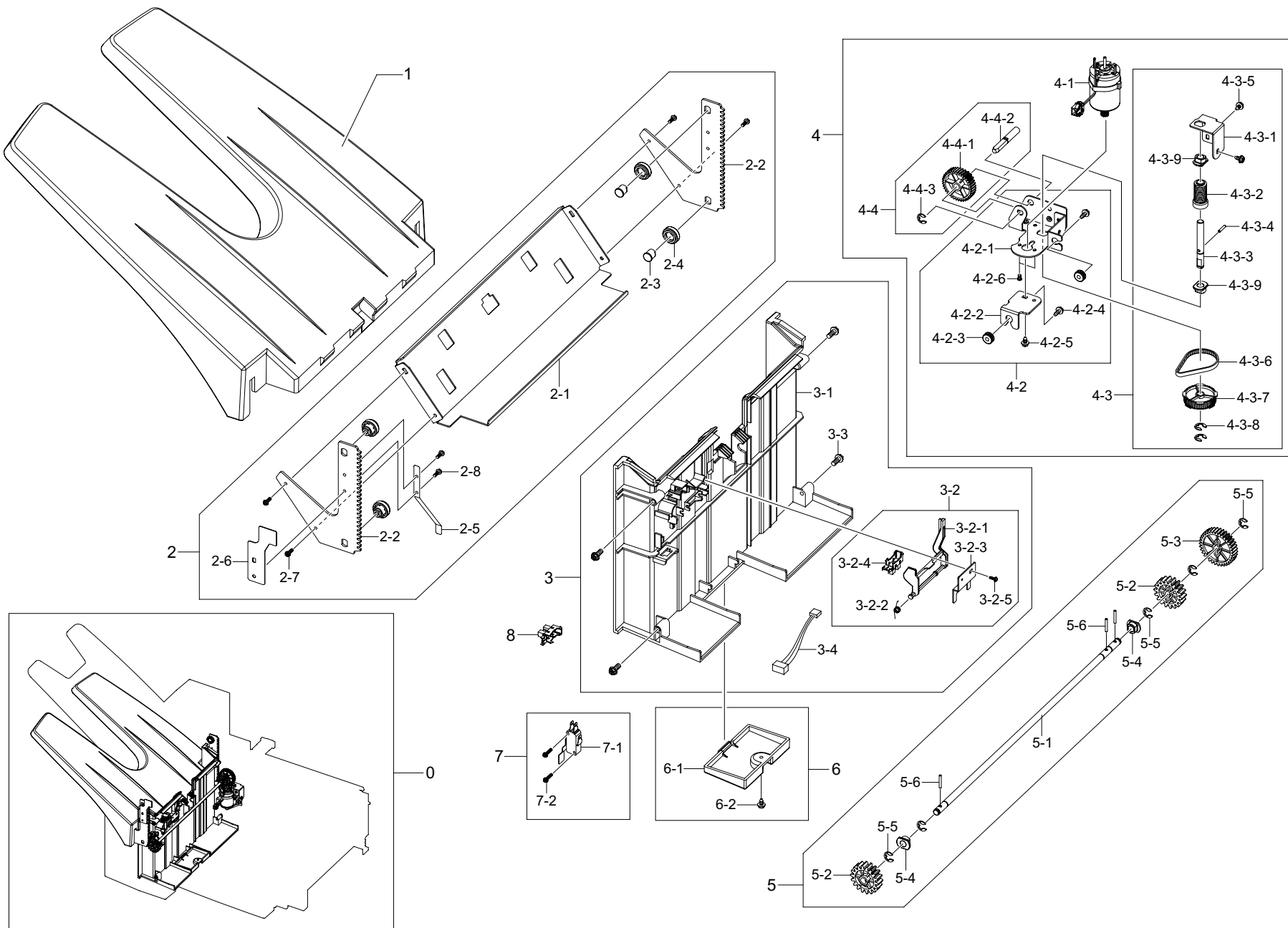
Extension tray unit parts list

SA : SERVICE AVAILABLE, SNA : SERVICE not AVAILABLE

Drawing#	SEC_Code	Description	QT'y	Service	Remark
0	/	EXTENTION TRAY UNIT	1	SNA	KRDC(JR10 5000)
1	JC81-03769B	SPT FINGER ASSY:FRONT	1	SA	
1-1	JC81-03483B	TRAY:BERO	1	SA	
1-2	/	BKT:TRAY:BERO:ASSY	1	SNA	KRDC(SJ10 5202A)
1-3	JC81-03494A	RACK PINION:Z18	1	SA	
1-4	/	SHAFT:RACK PINION	1	SNA	KRDC(SJ10 5412A)
1-5	/	PARALLEL PIN:Φ2×10	1	SNA	KRDC(P632 0100G)
1-6	JC81-03521A	GEAR:Z30	1	SA	
1-7	/	ROLLER:BERO:LOWER	4	SNA	KRDC(SJ10 5304)
1-8	/	E-RING:Φ2.5	6	SNA	KRDC(1720 0025G)
1-9	/	ROLLER:BERO:UPPER	2	SNA	KRDC(SJ10 5302)
1-10	/	SHAFT:ROLLER:BERO	2	SNA	KRDC(SJ10 5402A)
1-11	/	E-RING:Φ3	4	SNA	KRDC(1720 0030G)
1-12	JC61-00423A	BUSH-6_D	2	SA	
1-13	/	E-RING:Φ4	4	SNA	KRDC(1720 0040G)
2	JC81-03770B	SPT FINGER ASSY:REAR	1	SA	
2-1	JC81-03483B	TRAY:BERO	1	SA	
2-2	/	BKT:TRAY:BERO:ASSY	1	SNA	KRDC(SJ10 5202A)

Drawing#	SEC_Code	Description	QT'y	Service	Remark
2-3	JC81-03494A	RACK PINION:Z18	1	SA	
2-4	/	SHAFT:RACK PINION	1	SNA	KRDC(SJ10 5412A)
2-5	/	PARALLEL PIN:Φ2×10	1	SNA	KRDC(P632 0100G)
2-6	JC81-03521A	GEAR:Z30	1	SA	
2-7	/	ROLLER:BERO:LOWER	4	SNA	KRDC(SJ10 5304)
2-8	/	E-RING:Φ2.5	6	SNA	KRDC(1720 0025G)
2-9	/	ROLLER:BERO:UPPER	2	SNA	KRDC(SJ10 5302)
2-10	/	SHAFT:ROLLER:BERO	2	SNA	KRDC(SJ10 5402A)
2-11	/	E-RING:Φ3	4	SNA	KRDC(1720 0030G)
2-12	JC61-00423A	BUSH-6_D	2	SA	
2-13	/	E-RING:Φ4	4	SNA	KRDC(1720 0040G)
3	/	BERO FRAME:SUB ASSY	1	SNA	KRDC(SJ10 5120)
4	JC81-03493A	GEAR:Z20	2	SA	
5	JC81-03522A	GEAR:Z60	1	SA	
6	JC81-03478A	AS-ASSY PM MOTOR Z18	1	SA	
7	/	SHAFT:TRANS:BERO	1	SNA	KRDC(SJ10 5416)
8	JC61-00423A	BUSH-6_D	2	SA	
9	/	E-RING:Φ4	4	SNA	KRDC(1720 0040G)

45-7. Stacker unit



Stacker unit parts list

SA : SERVICE AVAILABLE, SNA : SERVICE not AVAILABLE

Drawing#	SEC_Code	Description	QT'y	Service	Remark
0	/	STACKER UNIT	1	SNA	KRDC(JR10 6000)
1	JC81-03472B	TRAY:STACKER	1	SA	
2	/	STACKER:SET	1	SNA	KRDC(JR10 6140)
2-1	/	STAY:STACKER	1	SNA	KRDC(SJ10 6202A)
2-2	/	SIDE FRAME:STACKER	2	SNA	KRDC(SJ10 6208A)
2-3	/	STUD:STACKER:LIFT	4	SNA	KRDC(SJ10 6408A)
2-4	/	ROLLER:STACKER	4	SNA	KRDC(SJ10 6302)
2-5	/	LEAF SPRING:EARTH	1	SNA	KRDC(SJ10 1279)
2-6	/	BKT:FULL SENSOR:STACKER	1	SNA	KRDC(JR10 6210A)
2-7	/	HEXAGON HEADED SCREW:M3*6:T3	4	SNA	KRDC(0451 3006N)
2-8	/	HEXAGON HEADED SCREW:M4*6:PC	4	SNA	KRDC(0360 4006N)
3	/	SHIELD:SET	1	SNA	KRDC(SJ10 6130)
3-1	/	SHIELD:STACKER	1	SNA	KRDC(SJ10 6340B)
3-2	/	STACKER ACTUATOR:SET	1	SNA	KRDC(SJ10 6132)
3-2-1	/	ACTUATOR:STACKER	1	SNA	KRDC(SJ10 6332A)
3-2-2	/	T-SPRING:ACTUATOR:STACK	1	SNA	KRDC(SJ10 6682A)
3-2-3	/	BKT:SENSOR	1	SNA	KRDC(SJ10 6214A)
3-2-4	0604-001095	PI SENSOR:GP1S73P2	1	SA	
3-2-5	/	PAN WASHER HEADED SCREW:M3*8:T2	1	SNA	KRDC(0965 3008N)
3-3	/	HEXAGON HEADED SCREW:M4*10:T2	4	SNA	KRDC(0450 4010N)
3-4	/	ASSY:M/H:STK TOP SNR	1	SNA	KRDC(SJ10 8370A)
4	/	STACKER MOTOR:SET	1	SNA	KRDC(SJ10 6110)
4-1	JC81-03484A	DC MOTOR:2738:S2M12T	1	SA	
4-2	/	MOTOR BKT:SUB ASSY	1	SNA	KRDC(SJ10 6111)
4-2-1	/	BKT:MOTOR:STACKER	1	SNA	KRDC(SJ10 6206B)
4-2-2	/	BKT:SUPPORT:MORTOR	1	SNA	KRDC(SJ10 6212B)

Drawing#	SEC_Code	Description	QT'y	Service	Remark
4-2-3	/	DAMPER WASHER	2	SNA	KRDC(SJ10 6602A)
4-2-4	/	HEXAGON HEADED SCREW:M3*8:T3	2	SNA	KRDC(0451 3008N)
4-2-5	/	HEXAGON HEADED SCREW:M3*6:T3	1	SNA	KRDC(0451 3006N)
4-2-6	/	PAN HEADED SCREW:M2.6*4:PC	2	SNA	KRDC(0312 6040N)
4-3	/	WORM:SUB ASSY	1	SNA	KRDC(SJ10 6114)
4-3-1	/	BKT:WORM:STACK	1	SNA	KRDC(SJ10 6204B)
4-3-2	JC81-03489A	WORM:STACKER	1	SA	
4-3-3	/	SHAFT:WORM	1	SNA	KRDC(SJ10 6414B)
4-3-4	/	PARALLEL PIN:Φ2*10	1	SNA	KRDC(P632 0100G)
4-3-5	/	HEXAGON HEADED SCREW:M3*6:T3	2	SNA	KRDC(0451 3006N)
4-3-6	JC81-03525A	B40S2M120:STACKER	1	SA	
4-3-7	JC81-03491A	TIMING PULLEY:S2M48T	1	SA	
4-3-8	/	E-RING:Φ4	2	SNA	KRDC(1720 0040G)
4-3-9	JC61-00423A	BUSH-6_D	2	SA	
4-4	/	WORM WHEEL:SET	1	SNA	KRDC(SJ10 6115)
4-4-1	JC81-03524A	WORM WHEEL:STACKER	1	SA	
4-4-2	/	SHAFT:WORM WHEEL	1	SNA	KRDC(SJ10 6416C)
4-4-3	/	E-RING:Φ4	2	SNA	KRDC(1720 0040G)
5	/	RACK PINION:SET	1	SNA	KRDC(SJ10 6120)
5-1	/	SHAFT:STACKER:DRIVE	1	SNA	KRDC(SJ10 6418A)
5-2	JC81-03492A	PINION GEAR:18T	2	SA	
5-3	JC81-03523A	SPUR GEAR:Z35	1	SA	
5-4	JC61-00423A	BUSH-6_D	2	SA	
5-5	/	E-RING:Φ4	5	SNA	KRDC(1720 0040G)
5-6	/	PARALLEL PIN:Φ2*14	3	SNA	KRDC(P632 0140G)
6	/	PCB COVER:SET	1	SNA	KRDC(SJ10 6160)
6-1	/	COVER:PCB	1	SNA	KRDC(SJ10 6370)

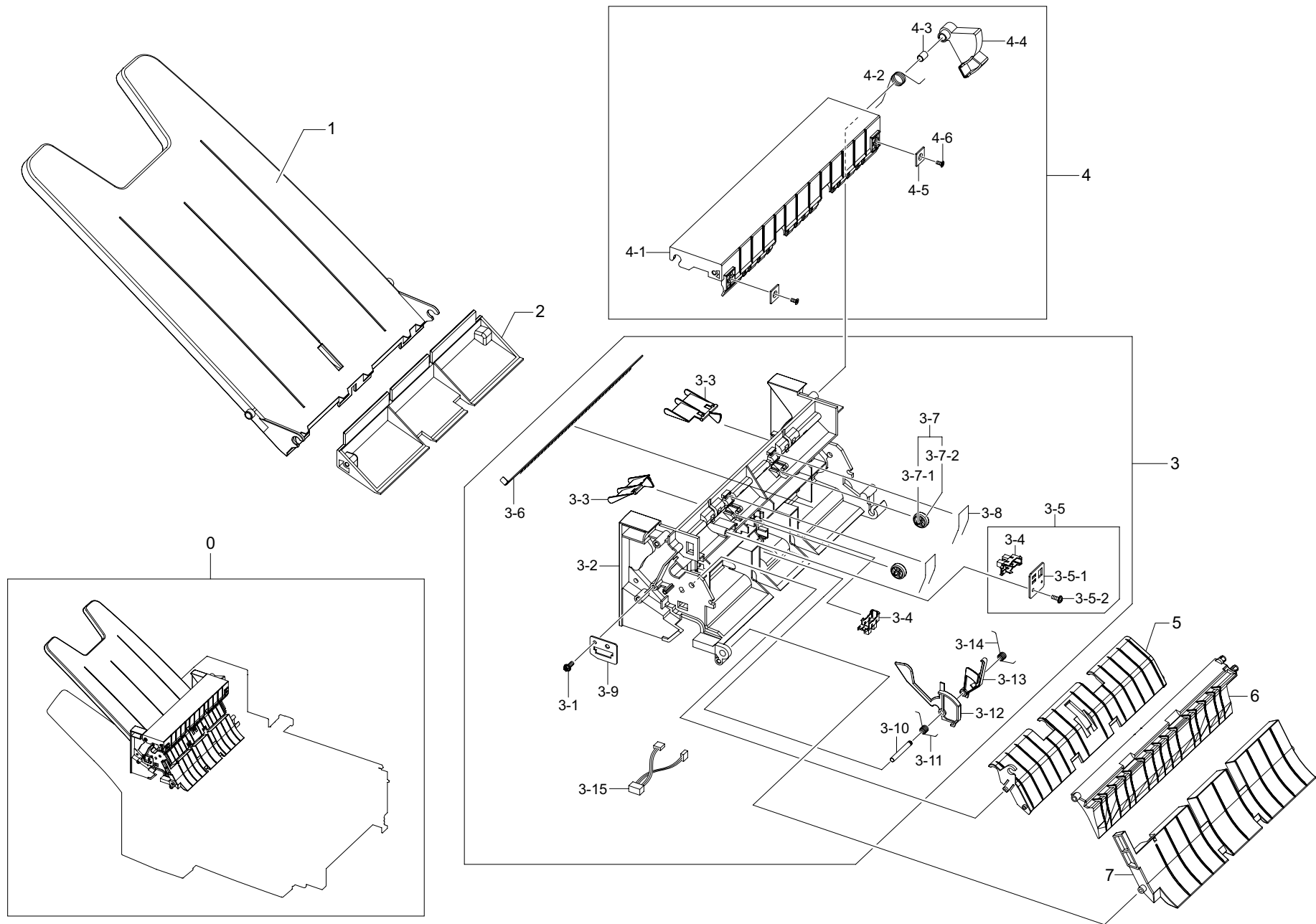
Stacker unit parts list

SA : SERVICE AVAILABLE, SNA : SERVICE not AVAILABLE

Drawing#	SEC_Code	Description	QT'y	Service	Remark
6-2	/	HEXAGON HEADED SCREW:M3×6:T3	1	SNA	KRDC(0451 3006N)
7	/	LOWER LIMIT SWITCH:SET	1	SNA	KRDC(JR10 6150)
7-1	JC81-03469A	MICRO SWITCH:VP333A-0D	1	SA	

Drawing#	SEC_Code	Description	QT'y	Service	Remark
7-2	/	HEXAGON HEADED SCREW:M3×14:PC	2	SNA	KRDC(0360 3014N)
8	0604-001095	PI SENSOR:GP1S73P2	1	SA	

45-8. Top tray unit



Top tray unit parts list

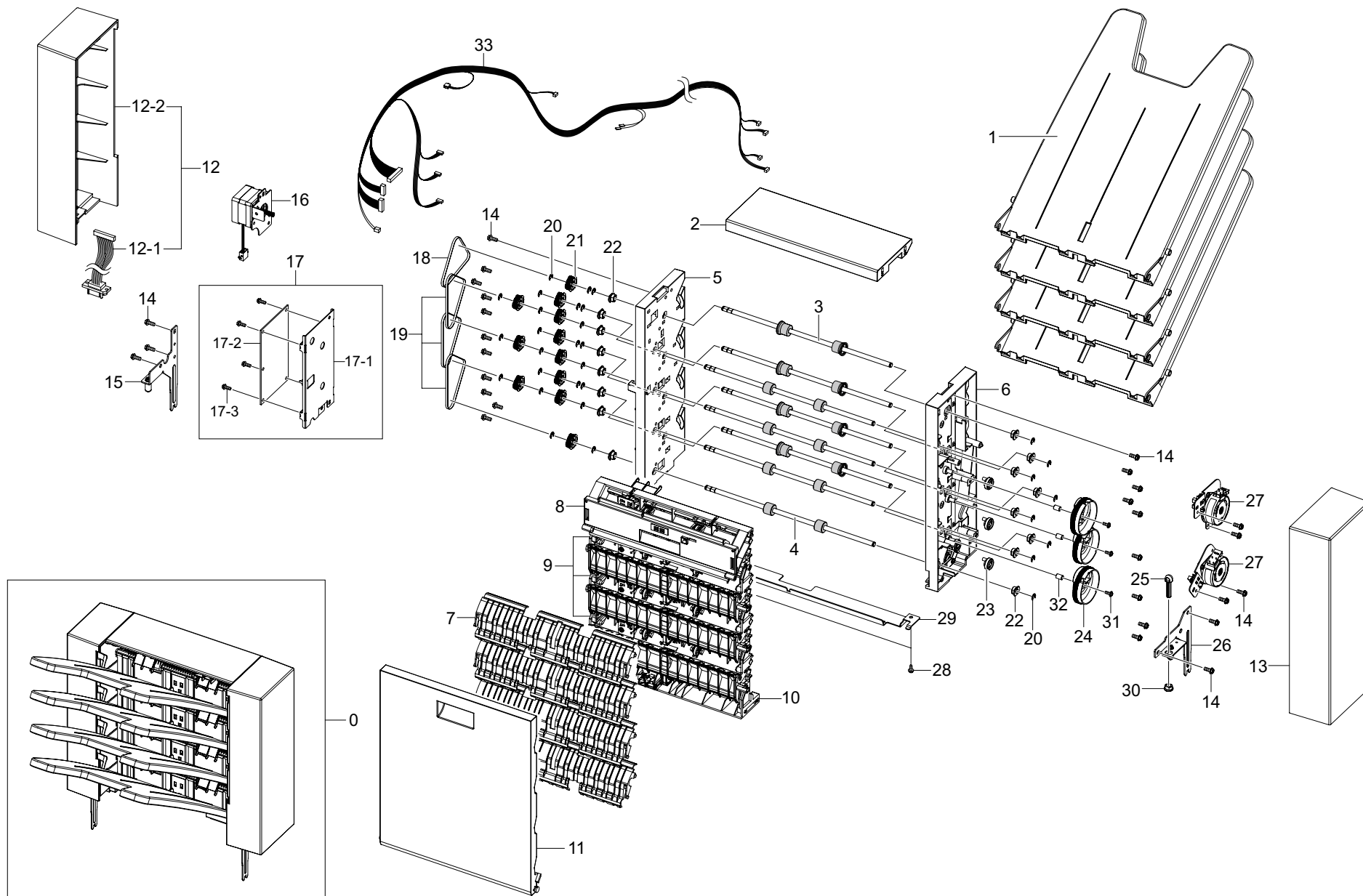
SA : SERVICE AVAILABLE, SNA : SERVICE not AVAILABLE

Drawing#	SEC_Code	Description	QT'y	Service	Remark
0	/	TOP TRAY UNIT	1	SNA	KRDC(JR10 7000)
1	JC81-07262A	AS-TRAY STACKER	1	SA	
2	/	STAY UPPER:SAFETY:JR	1	SNA	KRDC(JR10 7326A)
3	/	TOP TRAY FRAME:ASSY	1	SNA	KRDC(JR10 7100)
3-1	/	HEXAGON HEADED SCREW:M4×10:T2	6	SNA	KRDC(0450 4010N)
3-2	/	FRAME:GUIDE:TOP TRAY	1	SNA	KRDC(JR10 7308A)
3-3	JC81-07253A	AS-ACTUATOR FULL STACKER	2	SA	
3-4	0604-001095	PI SENSOR:GP1S73P2	2	SA	
3-5	/	BKT:SENSOR:STACKER:SUB ASSY:SET	1	SNA	KRDC(JR10 7116)
3-5-1	JC81-07270A	AS-BKT SENSOR STACKER	1	SA	
3-5-2	/	PAN WASHER HEADED SCREW:M3×8:T2	1	SNA	KRDC(0965 3008N)
3-6	JC81-04632A	AS-ANTI_STATIC BRUSH	1	SA	
3-7	JC81-07268A	AS-ROLLER IDLE FEED ASSY	2	SA	
3-7-1	/	PARALLEL PIN:Φ2×14	2	SNA	KRDC(P632 0140G)
3-7-2	/	ROLLER:IDLE:FEED	2	SNA	KRDC(SJMB 2306A)
3-8	JC81-07272A	AS-T_SPRING GUIDE M/B	2	SA	
3-9	/	BKT:HARNESS:TOP TRAY	1	SNA	KRDC(JR10 7202A)
3-10	/	SHAFT:ACTUATOR:STACKER	1	SNA	KRDC(SJMB 2402A)
3-11	/	TORSION SPRING:TRAY EMPTY	1	SNA	KRDC(SJMB 2502A)

Drawing#	SEC_Code	Description	QT'y	Service	Remark
3-12	/	ACTUATOR:EMPTY:STACKER	1	SNA	KRDC(SJMB 2310A)
3-13	/	ACTUATOR:EXIT:FEED	1	SNA	KRDC(SJMB 2312A)
3-14	/	TORSION SPRING:PAPER PATH	1	SNA	KRDC(SJMB 2504A)
3-15	/	ASSY:M/H:TOP TRAY SNR	1	SNA	KRDC(JR10 8340A)
4	/	GUIDE:EXIT:TOP TRAY:SET ASSY	1	SNA	KRDC(JR10 7200)
4-1	/	GUIDE:EXIT:TOP TRAY	1	SNA	KRDC(JR10 7302A)
4-2	/	TORSION SPRING:DIVERTER:TOP	1	SNA	KRDC(JR10 7502A)
4-3	/	HOLLOW SHAFT:D_6	1	SNA	KRDC(SJ10 3402B)
4-4	/	ACTUATOR:DIVERTER:TOP TRAY	1	SNA	KRDC(JR10 7324A)
4-5	/	MAGNET CATCH PLATE:TB	2	SNA	KRDC(CF10 T209)
4-6	/	COUNTERSINK SCREW:M3×10:T2	2	SNA	KRDC(0323 0102N)
5	/	GUIDE:LOWER:TOP TRAY	1	SNA	KRDC(JR10 7304A)
6	/	SEPARATE:PAWL:TOP TRAY	1	SNA	KRDC(JR10 7306A)
7	/	SEPARATE:PAWL COMPILE:TOP:SUB ASSY	1	SNA	KRDC(JR10 7119)
7	/	SHAFT:TRANS:BERO	1	SNA	KRDC(SJ10 5416)
8	JC61-00423A	BUSH-6_D	2	SA	
9	/	E-RING:Φ4	4	SNA	KRDC(1720 0040G)

46. Mail box

46-1. Main



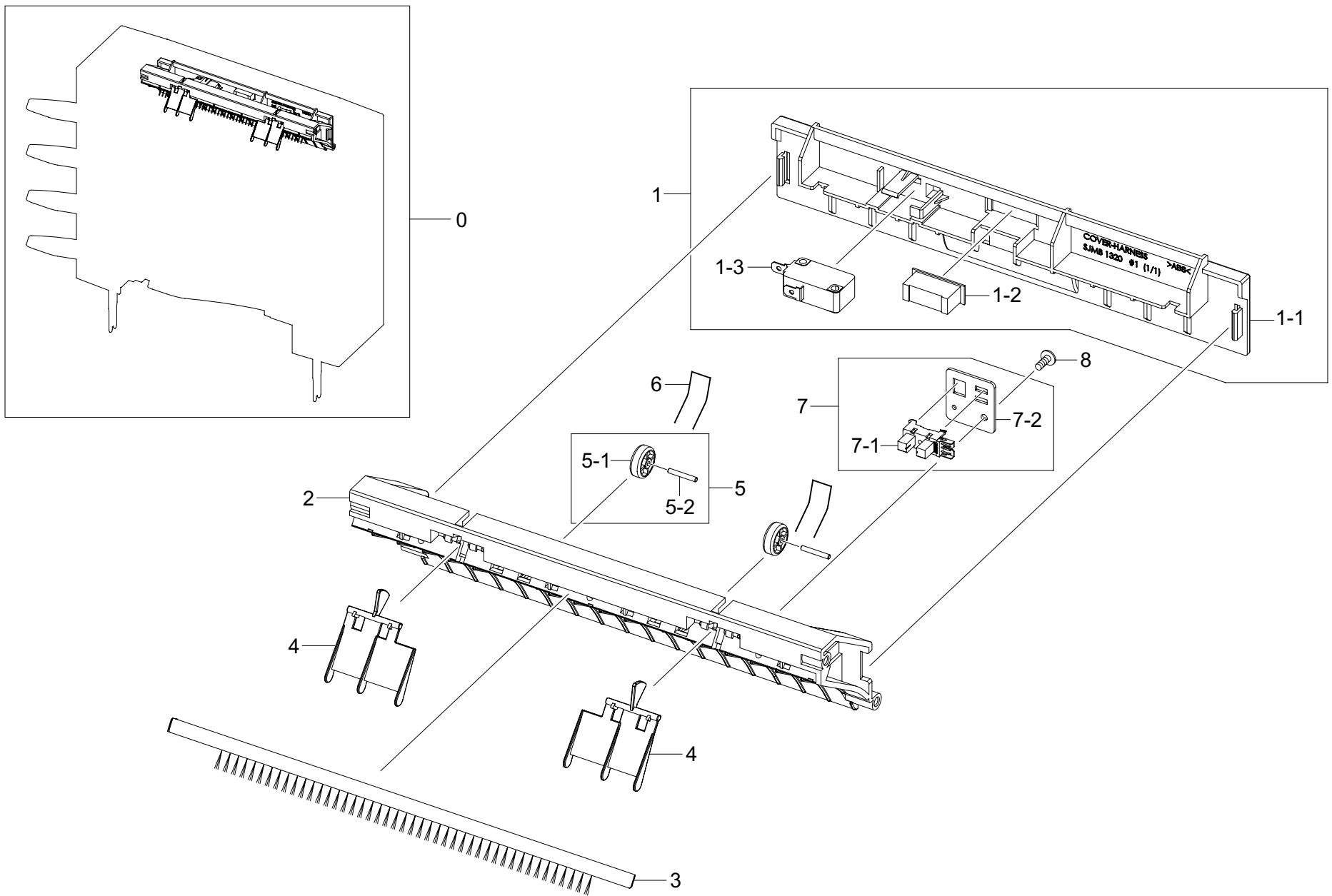
Main parts list

SA : SERVICE AVAILABLE, SNA : SERVICE not AVAILABLE

Drawing#	SEC_Code	Description	QT'y	Service	Remark
0	SCX-MBT20S	Mail box	1	SA	
1	JC81-07262A	AS-TRAY STACKER	4	SA	KRDC(SJMB 2308A)
2	JC81-07285A	AS-COVER TOP FRAME	1	SA	KRDC(SJMB 1306A)
3	JC81-07286A	AS-ROLLER EXIT FEED	4	SA	KRDC(SJMB 2602A)
4	JC81-07287A	AS-ROLLER MAIN FEED	4	SA	KRDC(SJMB 2604A)
5	JC81-07275A	FRAME:FRONT:SUB ASSY	1	SA	KRDC(SJMB 1120)
6	JC81-07276A	FRAME:REAR:SUB ASSY	1	SA	KRDC(SJMB 1130)
7	JC81-07261A	AS-GUIDE FEED	4	SA	KRDC(SJMB 2304A)
8	JC81-07267A	AS-SHIELD TOP STKR ASSY	1	SA	KRDC(SJMB 1118)
9	JC81-07265A	AS-ACTUATOR SHIELD ASSY	3	SA	KRDC(SJMB 1113)
10	JC81-07264A	AS-BASE SUB ASSY	1	SA	KRDC(SJMB 1110)
11	JC81-07282A	AS-COVER JAM FRAME ASSY	1	SA	KRDC(SJMB 1150)
12	JC81-07283A	AS-COVER FRONT FRAME ASSY	1	SA	KRDC(SJMB 1154)
12-1	-	ASSY, MH, INTERFACE	1	SNA	KRDC(SJMB 8330)
12-2	JC81-07284A	AS-COVER DRAW CN FRAME	1	SA	KRDC(SJMB 1304A)
13	JC81-07260A	AS-COVER REAR FRAME	1	SA	KRDC(SJMB 1318A)
14	-	HEXAGON HEADED SCREW:M4×10:T2	47	SNA	KRDC(0450 4010N)
15	JC81-07279A	JOINT BKT:FRONT:FRAME:SUB ASSY	1	SA	KRDC(SJMB 1142)
16	JC81-07281A	HB MOTOR:FEED:SUB ASSY	1	SA	KRDC(SJMB 1146)
17	-	MAIN BOARD:FRAME:SUB ASSY	1	SNA	KRDC(SJMB 1134)
17-1	-	BKT:MAIN BOARD:FRAME	1	SNA	KRDC(SJMB 1206)

Drawing#	SEC_Code	Description	QT'y	Service	Remark
17-2	JC81-07277A	AS-PCB ASSY MAIN	1	SA	KRDC(SJMB 8200B)
17-3	-	HEXAGON HEADED SCREW:M3×6:T3	4	SNA	KRDC(0451 3006N)
18	JC81-07256A	AS-BELT B30S2M200	1	SA	KRDC(B30S2M200)
19	JC81-07257A	AS-BELT B30S2M210	3	SA	KRDC(B30S2M210)
20	-	E-RING:Φ4	29	SNA	KRDC(1720 0040G)
21	JC81-03517A	TIMING PULLEY:T30S2M:D-CUT	11	SA	-
22	JC61-00423A	BUSH-6_D	16	SA	-
23	JC81-07289A	ROLLER:STACKER	4	SA	KRDC(SJ10 6302)
24	JC81-07263A	AS-SPUR GEAR M05Z100	3	SA	KRDC(SJMB 2318A)
25	JC81-07259A	AS-POSITIONER SEPARATE	1	SA	KRDC(SJMB 1314A)
26	JC81-07278A	JOINT BKT:REAR:FRAME:SUB ASSY	1	SA	KRDC(SJMB 1140)
27	JC81-07280A	SEPARATE MOTOR:SUB ASSY	2	SA	KRDC(SJMB 1144)
28	-	HEXAGON HEADED SCREW:M3×8:T3	2	SNA	KRDC(0451 3008N)
29	JC81-07258A	AS-BKT EARTH FRAME	1	SA	KRDC(SJMB 1212A)
30	-	BEARING:Φ6	1	SNA	KRDC(0092 0601)
31	-	PAN WASHER HEADED SCREW:M3×8:T2	1	SNA	KRDC(0965 3008N)
32	JC81-07288A	HOLLOW SHAFT:D_6	3	SA	KRDC(SJ10 3402)
33	-	ASSY, MH,FRAME	1	SNA	KRDC(SJMB 8310)

46-2. As-shield top stkr ass'y



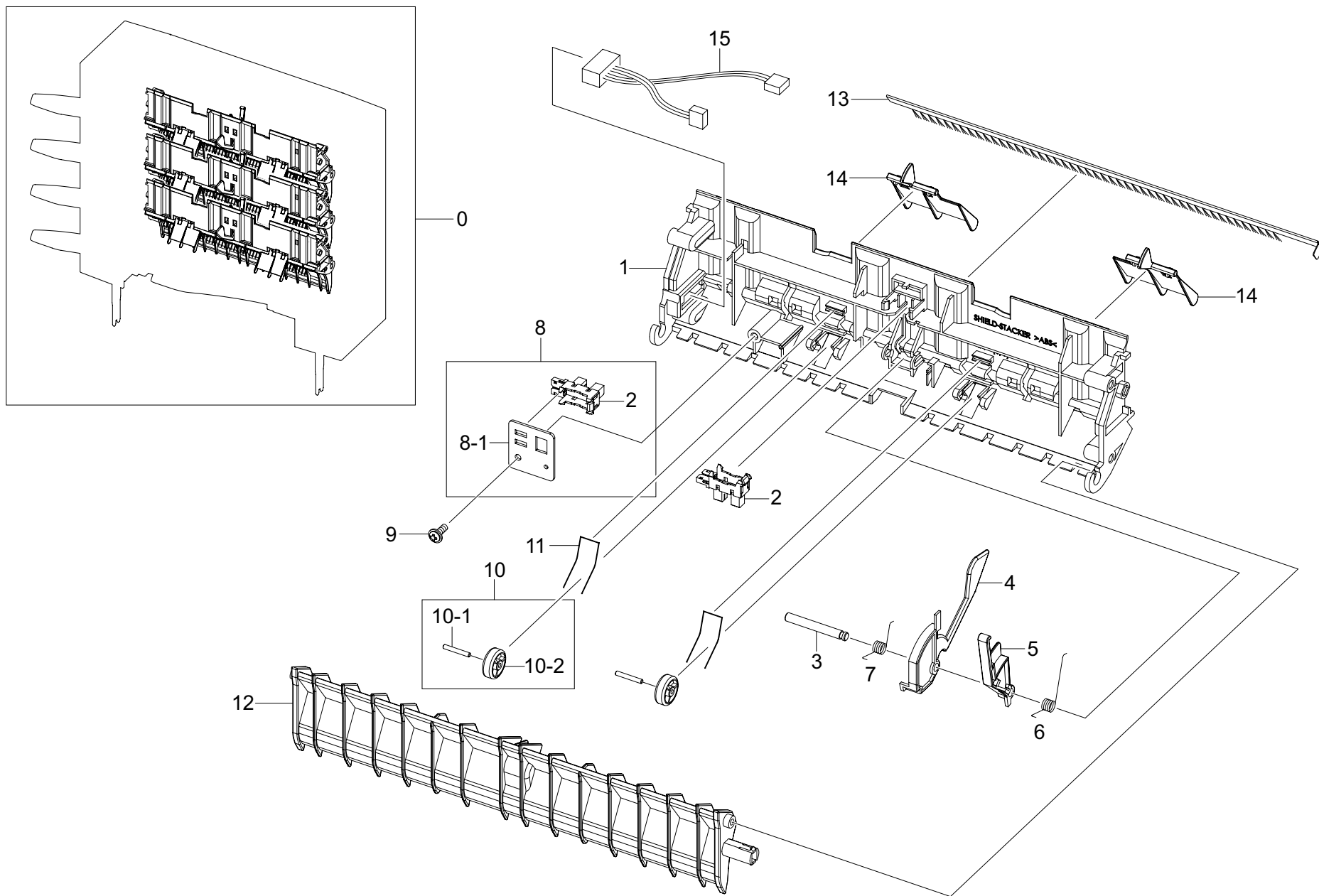
As-shield top stkr ass'y parts list

SA : SERVICE AVAILABLE, SNA : SERVICE not AVAILABLE

Drawing#	SEC_Code	Description	QT'y	Service	Remark
0	JC81-07267A	AS-SHIELD TOP STKR ASSY	1	SA	KRDC(SJMB 1118)
1	JC81-07273A	AS-COVER HARNESS ASSY	1	SA	KRDC(SJMB 1119)
1-1	-	COVER:HARNESS	1	SNA	KRDC(SJMB 1320)
1-2	JC81-07274A	MAGNET:BY3-32-1	1	SA	KRDC(CF10 T702)
1-3	JC81-03469A	MICRO SWITCH:VP333A-0D	1	SA	-
2	JC81-07269A	AS-SHIELD TOP STACKER	1	SA	KRDC(SJMB 2320A)
3	JC81-07266A	AS-ANTI_STATIC BRUSH	1	SA	KRDC(SJMB 2802A)
4	JC81-07253A	AS-ACTUATOR FULL STACKER	2	SA	KRDC(SJMB 2314A)
5	JC81-07268A	AS-ROLLER IDLE FEED ASSY	2	SA	KRDC(SJMB 1116)

Drawing#	SEC_Code	Description	QT'y	Service	Remark
5-1	-	ROLLER:IDLE:FEED	2	SNA	KRDC(SJMB 2306)
5-2	-	PARALLEL PIN:Φ2×14	2	SNA	KRDC(P632 0140G)
6	JC81-07272A	AS-T_SPRING GUIDE M/B	2	SA	KRDC(SJMB 2508A)
7	-	BKT:SENSOR:STACKER:SUB ASSY	1	SNA	KRDC(SJMB 1114)
7-1	0604-001095	PI SENSOR:GP1S73P2	1	SA	KRDC(0604-001095)
7-2	JC81-07270A	AS-BKT SENSOR STACKER	1	SA	KRDC(SJMB 2202A)
8	-	PAN WASHER HEADED SCREW:M3×8:T2	1	SNA	KRDC(0965 3008N)

46-3. As-actuator shield ass'y



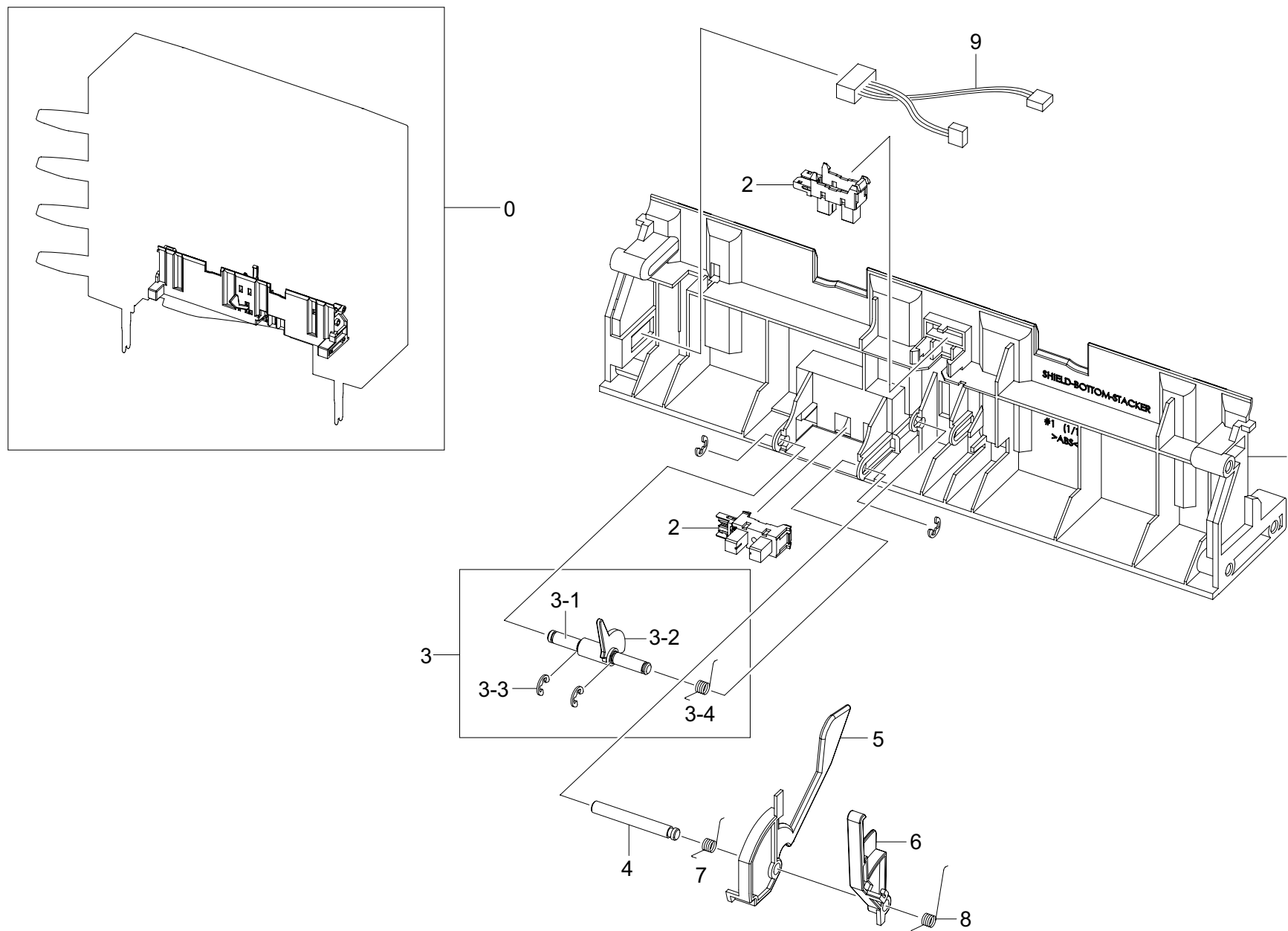
As-actuator shield ass'y parts list

SA : SERVICE AVAILABLE, SNA : SERVICE not AVAILABLE

Drawing#	SEC_Code	Description	QT'y	Service	Remark
0	JC81-07265A	AS-ACTUATOR SHIELD ASSY	3	SA	KRDC(SJMB 1113)
1	-	SHIELD:STACKER	1	SNA	KRDC(SJMB 2316)
2	0604-001095	PI SENSOR:GP1S73P2	2	SA	KRDC(0604-001095)
3	-	SHAFT:ACTUATOR:STACKER	1	SNA	KRDC(SJMB 2402)
4	-	ACTUATOR:EMPTY:STACKER	1	SNA	KRDC(SJMB 2310)
5	-	ACTUATOR:EXIT:FEED	1	SNA	KRDC(SJMB 2312)
6	-	TORSION SPRING:PAPER PATH	1	SNA	KRDC(SJMB 2504)
7	-	TORSION SPRING:TRAY EMPTY	1	SNA	KRDC(SJMB 2502)
8	-	BKT:SENSOR:STACKER:SUB ASSY	1	SNA	KRDC(SJMB 1114)
8-1	JC81-07270A	AS-BKT SENSOR STACKER	1	SA	KRDC(SJMB 2202A)

Drawing#	SEC_Code	Description	QT'y	Service	Remark
9	-	PAN WASHER HEADED SCREW:M3×8:T2	1	SNA	KRDC(0965 3008N)
10	JC81-07268A	AS-ROLLER IDLE FEED ASSY	2	SA	KRDC(SJMB 1116)
10-1	-	PARALLEL PIN:Φ2×14	2	SNA	KRDC(P632 0140G)
10-2	-	ROLLER:IDLE:FEED	2	SNA	KRDC(SJMB 2306)
11	JC81-07272A	AS-T_SPRING GUIDE M/B	2	SA	KRDC(SJMB 2508A)
12	-	SEPARATE:PAWL:FEED	1	SNA	KRDC(SJMB 2302)
13	JC81-07266A	AS-ANTI_STATIC BRUSH	1	SA	KRDC(SJMB 2802A)
14	JC81-07253A	AS-ACTUATOR FULL STACKER	2	SA	KRDC(SJMB 2314A)
15	-	ASSY, MH, TRAY SNR RELAY	1	SNA	KRDC(SJMB 8320)

46-4. As-base sub ass'y



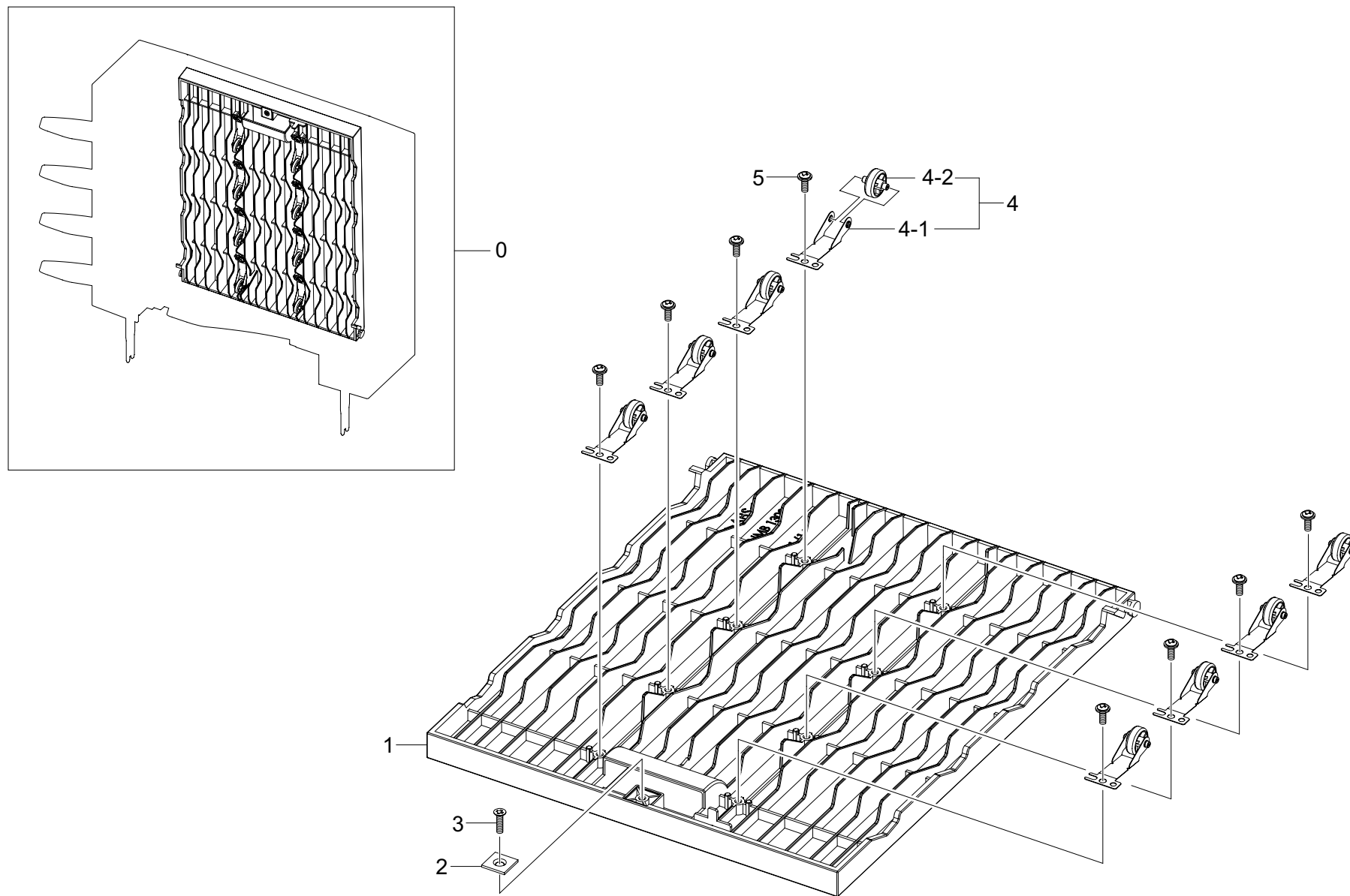
As-base sub ass'y parts list

SA : SERVICE AVAILABLE, SNA : SERVICE not AVAILABLE

Drawing#	SEC_Code	Description	QT'y	Service	Remark
0	JC81-07264A	AS-BASE SUB ASSY	1	SA	KRDC(SJMB 1110)
1	-	SHIELD:BOTTOM:STACKER	1	SNA	KRDC(SJMB 2324)
2	0604-001095	PI SENSOR:GP1S73P2	2	SA	KRDC(0604-001095)
3	-	ACTUATOR:ENTRANCE:SUB ASSY	1	SNA	KRDC(SJMB 1112)
3-1	-	SHAFT:ACTUATOR:FEED	1	SNA	KRDC(SJMB 2404)
3-2	-	ACTUATOR:ENTRANCE:FEED	1	SNA	KRDC(SJMB 2326)
3-3	-	E-RING:Φ3	4	SNA	KRDC(1720 0030G)

Drawing#	SEC_Code	Description	QT'y	Service	Remark
3-4	-	T-SPRING:ACTUATOR:STACK	1	SNA	KRDC(SJ10 6682)
4	-	SHAFT:ACTUATOR:STACKER	1	SNA	KRDC(SJMB 2402)
5	-	ACTUATOR:EMPTY:STACKER	1	SNA	KRDC(SJMB 2310)
6	-	ACTUATOR:EXIT:FEED	1	SNA	KRDC(SJMB 2312)
7	-	TORSION SPRING:TRAY EMPTY	1	SNA	KRDC(SJMB 2502)
8	-	TORSION SPRING:PAPER PATH	1	SNA	KRDC(SJMB 2504)
9	-	ASSY, MH, TRAY SNR RELAY	1	SNA	KRDC(SJMB 8320)

46-5. As-cover jam frame ass'y



As-cover jam frame ass'y parts list

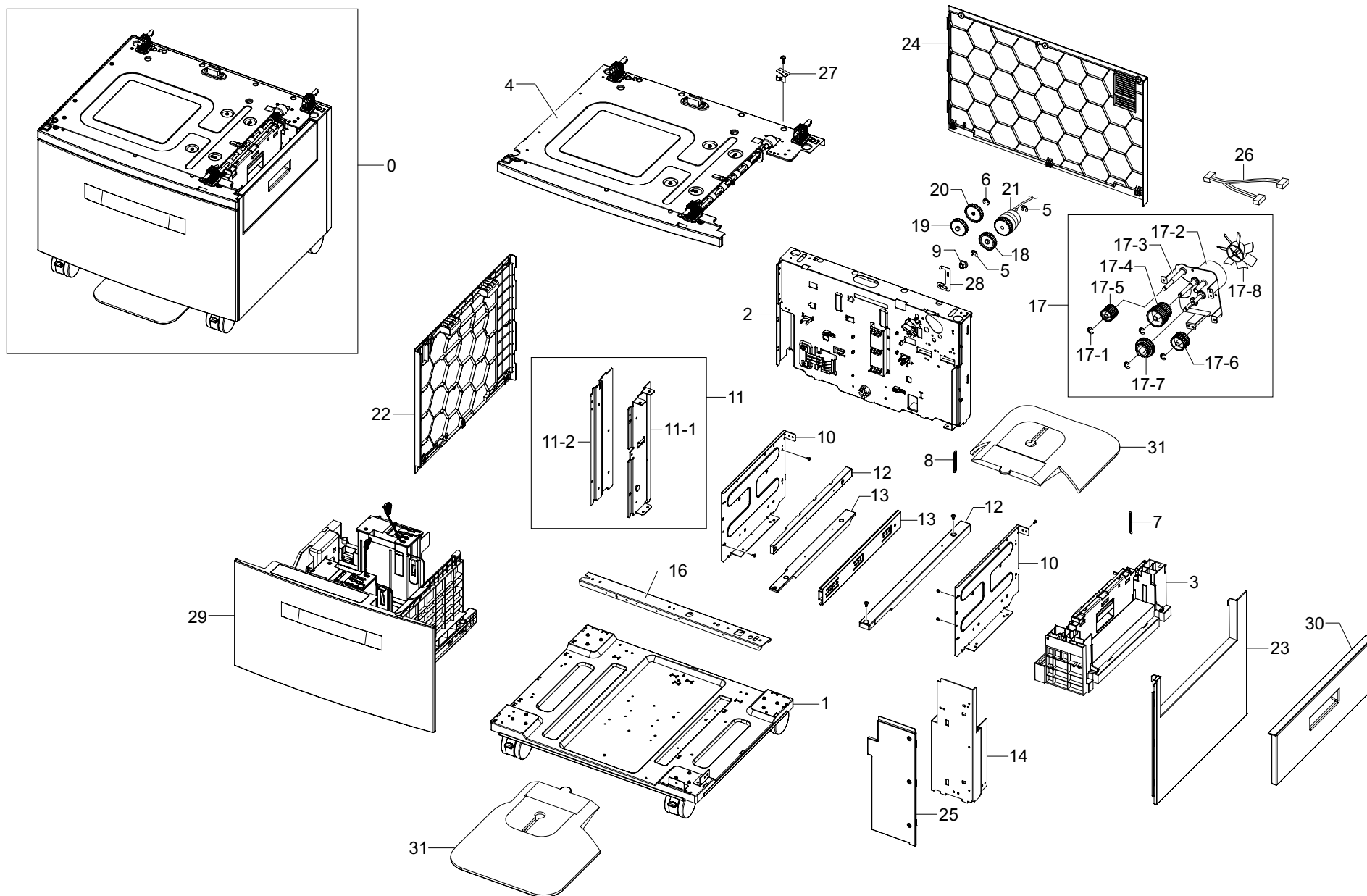
SA : SERVICE AVAILABLE, SNA : SERVICE not AVAILABLE

Drawing#	SEC_Code	Description	QT'y	Service	Remark
0	JC81-07282A	AS-COVER JAM FRAME ASSY	1	SA	KRDC(SJMB 1150)
1	-	COVER:JAM:FRAME	1	SNA	KRDC(SJMB 1308)
2	-	MAGNET CATCH PLATE:TB	1	SNA	KRDC(CF10 T209)
3	-	COUNTERSINK SCREW:M3×10:T2	1	SNA	KRDC(0323 0102N)
4	-	IDLE ROLLER:ASSY	8	SNA	KRDC(SJMB 1152)

Drawing#	SEC_Code	Description	QT'y	Service	Remark
4-1	-	LEAF SPRING:FEED	8	SNA	KRDC(SJ10 2202)
4-2	-	ROLLER:IDLE:FEED	8	SNA	KRDC(SJ10 2302)
5	-	PAN WASHER HEADED SCREW:M3×8:T2	8	SNA	KRDC(0965 3008N)

47. HCF unit (optional unit)

47-1. Ela hou-HCF



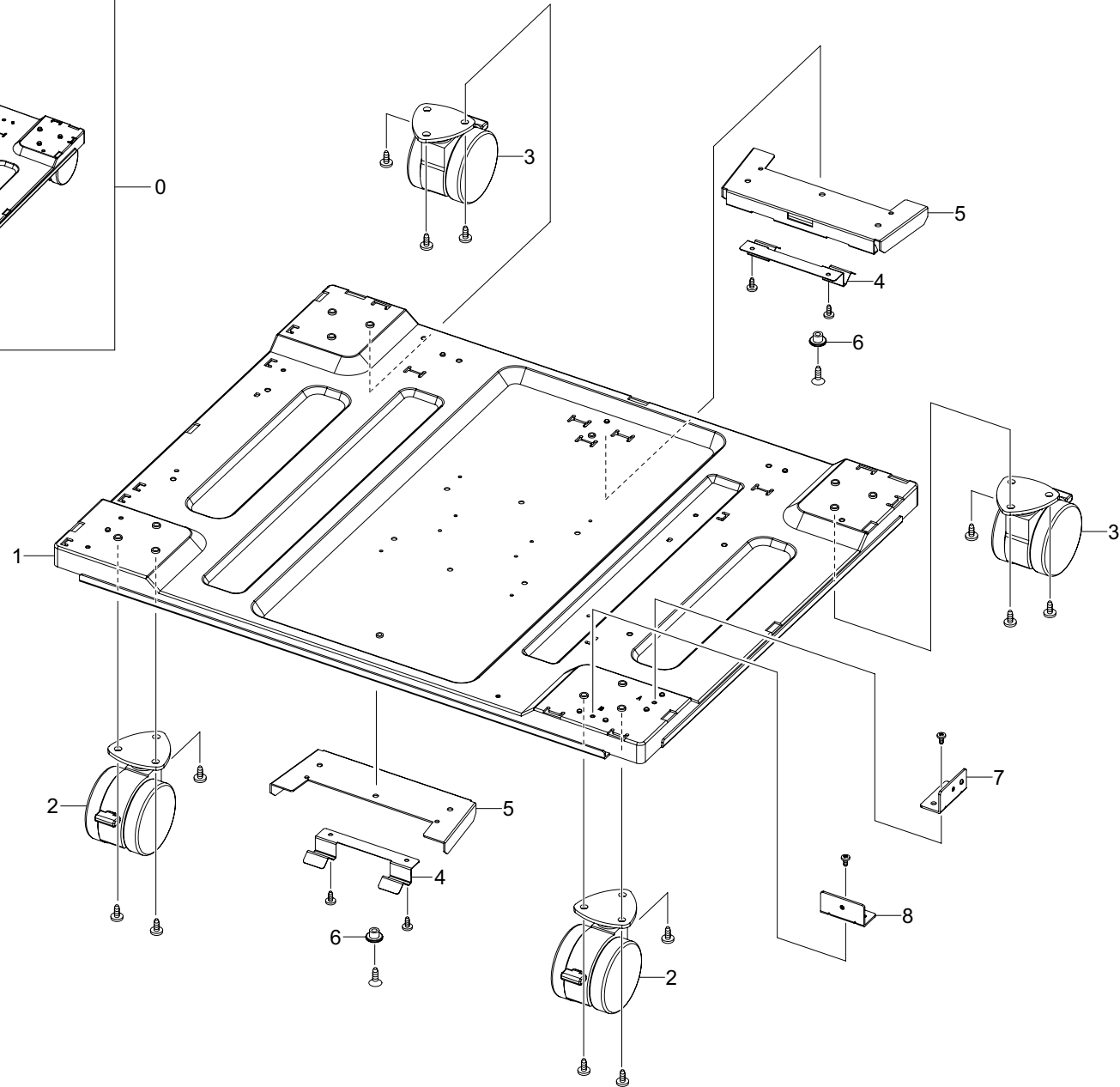
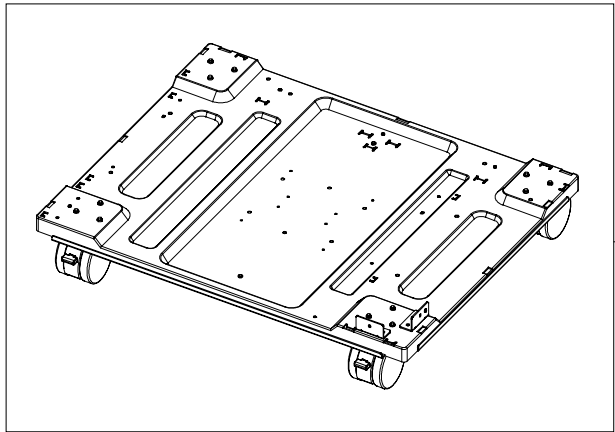
Ela hou-HCF parts list

SA : SERVICE AVAILABLE, SNA : SERVICE not AVAILABLE

Drawer#	SEC_Code	Description	QT'y	Service	Grade	Remark
0	JC96-04852A	ELA HOU-HCF	1	SA	D	
1	-	SUB PLATE-BOTTOM_HCF	1	SNA	D	
2	-	SUB UNIT-REAR_HCF	1	SNA	D	
3	JC81-06298A	AS-UNIT FRAME RIGHT	1	SA	B	
4	-	ELA HOU-UPPER_HCF	1	SNA	D	
5	6044-000125	RING-E, ID4	2	SA	A	
6	6044-000159	RING-C, ID3	1	SA	B	
7	6107-001258	SPRING-ES	1	SA	A	
8	6107-001259	SPRING-ES	1	SA	A	
9	JC61-00423A	BUSH-6D	2	SA	B	
10	-	PLATE-BEAM_HCF	2	SNA	D	
11	-	MEA UNIT-LEFT_HCF	1	SNA	D	
11-1	-	PLATE-SUP LEFT	1	SNA	D	
11-2	-	PLATE-SUP BRKT L	1	SNA	D	
12	-	GUIDE-RAIL SIDE_HCF	2	SNA	D	
13	-	GUIDE-RAIL_HCF	1	SNA	D	
14	-	PLATE-SUP RIGHT	1	SNA	D	
15	JC81-06067A	AS-SLIDE RAIL HCF	1	SA	B	
16	JC61-01312A	PLATER-P_BEAM BASE	1	SNA	B	
17	JC96-05278A	ELA HOU-SCF DRIVE	1	SA	B	
17-1	6044-000231	RINGE-E	4	SA	A	
17-2	JC31-00028B	MOTOR PICKUP SCF	1	SA	B	

Drawer#	SEC_Code	Description	QT'y	Service	Grade	Remark
17-3	JC61-02704A	BRACKET-SCF DRIVE	1	SA	B	
17-4	JC66-00965A	GEAR-M_FD IDLE A SCF	1	SA	B	
17-5	JC66-02011A	GEAR-FEED SCF	1	SA	B	
17-6	JC66-00967A	GEAR-M_PU IDLE A SCF	1	SA	B	
17-7	JC66-00968A	GEAR-M_PU IDLE C SCF	1	SA	B	
17-8	JC72-00825A	PMO-IMPELLER_DRV	1	SA	A	
18	JC66-00973A	GEAR-M_PICKUP IDLE B	1	SA	B	
19	JC66-00974A	GEAR-M_FORWARD	1	SA	B	
20	JC66-00975A	GEAR-M_RETARD	1	SA	B	
21	JC66-00994A	CLUTCH-5K Z32	1	SA	B	
22	-	COVER-LEFT_HCF	1	SNA	D	
23	-	COVER-RIGHT_HCF	1	SNA	D	
24	-	COVER-REAR_HCF	1	SNA	D	
25	-	COVER-RIGHT_FRONT	1	SNA	D	
26	JC39-00549A	CBF HARNESS-SCF_CLUT	1	SA	B	
27	JC63-00824A	GROUND-P-DOOR INNER	1	SA	B	
28	JC63-00833A	GROUND-P-SHAFT RETARD	1	SA	B	
29	JC81-06068A	AS- UNIT CASSETTE HCF	1	SA	B	
30	JC63-00769B	COVER-M_DOOR SIDE SCF	1	SA	B	
31	-	STABILITY FOOT-SMALL	2	SNA	D	
32	-	RUBBER-DROP	3	SNA	D	
33	JC67-00328A	CAP-CLUTCH SCF	1	SNA	B	

47-2. Sub plate-bottom



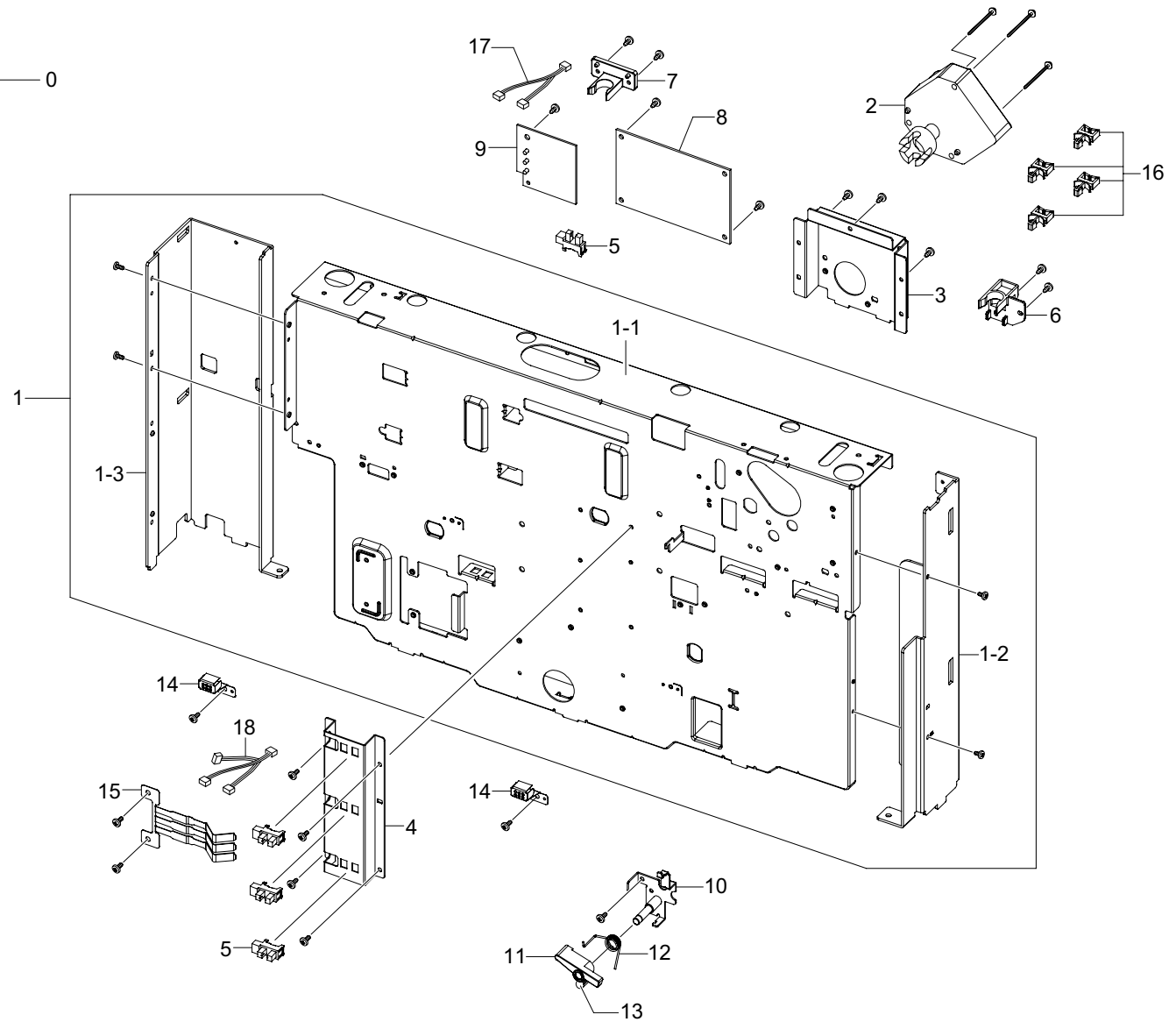
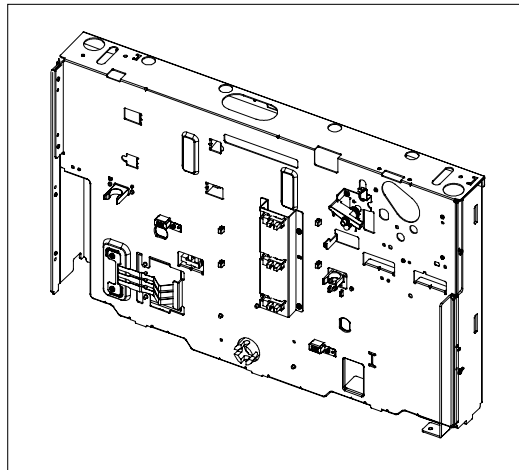
Sub plate-bottom parts list

SA : SERVICE AVAILABLE, SNA : SERVICE not AVAILABLE

Drawer#	SEC_Code	Description	QT'y	Service	Grade	Remark
0	-	SUB PLATE-BOTTOM_HCF	1	SNA	D	
1	-	PLATE-BOTTOM HCF	1	SNA	D	
2	JC81-06304A	CASTER (FIX)	2	SA	B	
3	JC81-06305A	CASTER	2	SA	B	
4	-	SPRING CLIP	2	SNA	D	

Drawer#	SEC_Code	Description	QT'y	Service	Grade	Remark
5	-	STABILISER BRACKET SPRING CLIP	2	SNA	D	
6	-	LOCATING BUSH	2	SNA	D	
7	-	PLATE-BRKT A	1	SNA	D	
8	-	PLATE-BRKT B	1	SNA	D	

47-3. Sub unit-rear



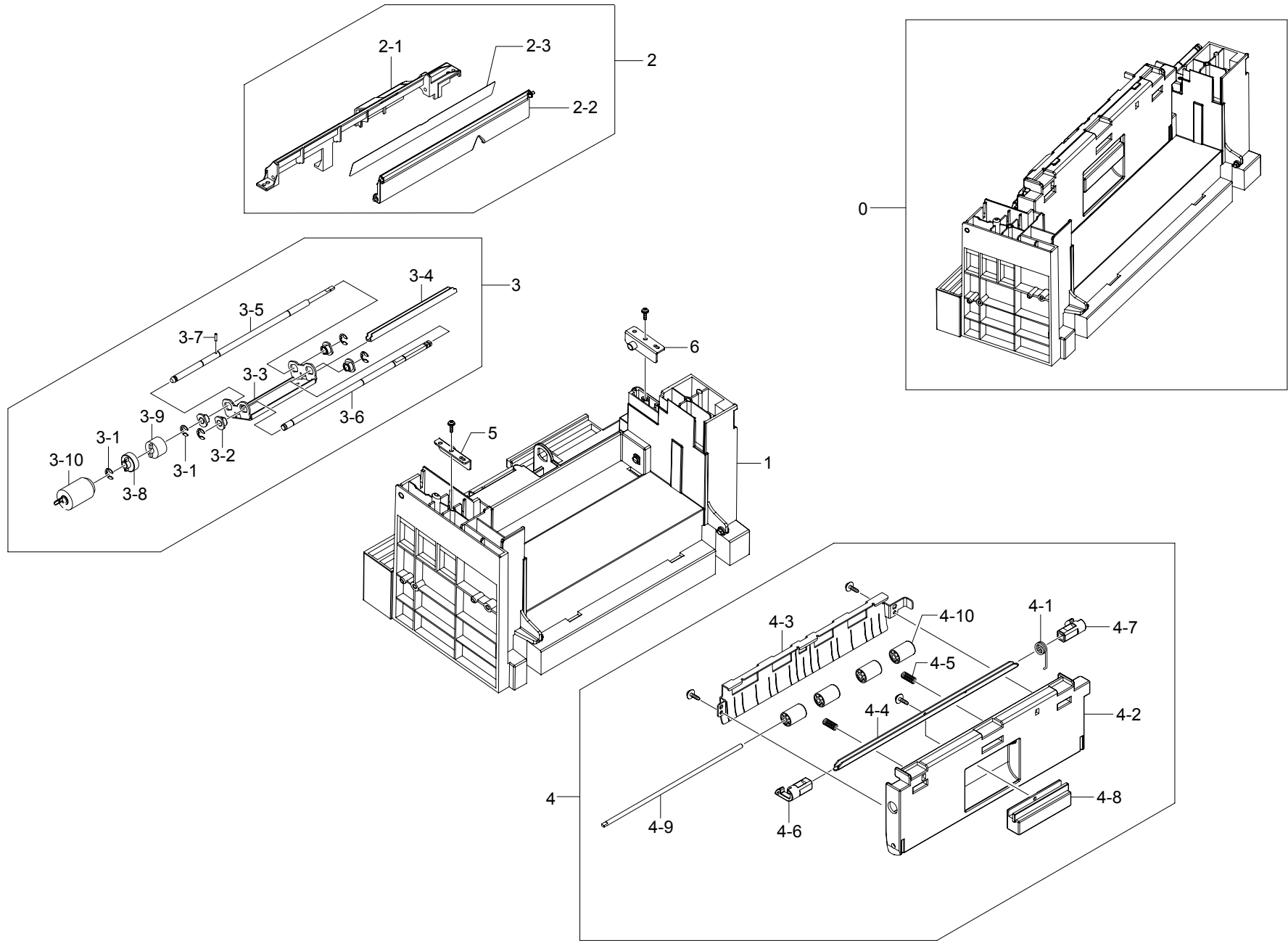
Sub unit-rear parts list

SA : SERVICE AVAILABLE, SNA : SERVICE not AVAILABLE

Drawer#	SEC_Code	Description	QT'y	Service	Grade	Remark
0	-	SUB UNIT-REAR_HCF	1	SNA	D	
1	-	MEA UNIT-REAR_HCF	1	SNA	D	
1-1	-	PLATE-REAR HCF	1	SNA	D	
1-2	-	PLATE-REAR RIGHT	1	SNA	D	
1-3	-	PLATE-REAR LEFT	1	SNA	D	
2	JC31-00109A	AS-MOTOR GEARED	1	SA	B	
3	-	PLATE-MOTOR GEARED	1	SNA	D	
4	-	PLATE-PAPER LEVEL	1	SNA	D	
5	0604-001095	PHOTO-INTERRUPTER	4	SA	A	
6	JC61-01344A	HOLDER-M_CST R	1	SNA	B	
7	JC61-01345A	HOLDER-M_CST L	1	SNA	B	

Drawer#	SEC_Code	Description	QT'y	Service	Grade	Remark
8	JC92-01697A	PBA SUB-SCF	1	SA	B	
9	JC92-01336A	PBA SUB-CASSETTE	1	SA	B	
10	JC61-01423A	BRACKET-P-ARM FRIC	1	SNA	B	
11	JC66-00959A	LEVER-M_ARM FRICTION	1	SA	B	
12	6107-001263	SPRING-TS	1	SNA	B	
13	6044-000125	RING-E	1	SA	B	
14	JC61-01423A	IPR-GROUND-TOP	2	SNA	B	
15	JC66-00959A	IPR-PLATE SENSOR	1	SA	B	
16	6107-001263	CABLE CLAMP	4	SNA	B	
17	JC39-00548A	CBF HARNESS HCF TRAY	1	SNA	B	
18	-	PAPER-LEVER HARNESS	1	SNA	D	

47-4. As-unit frame right



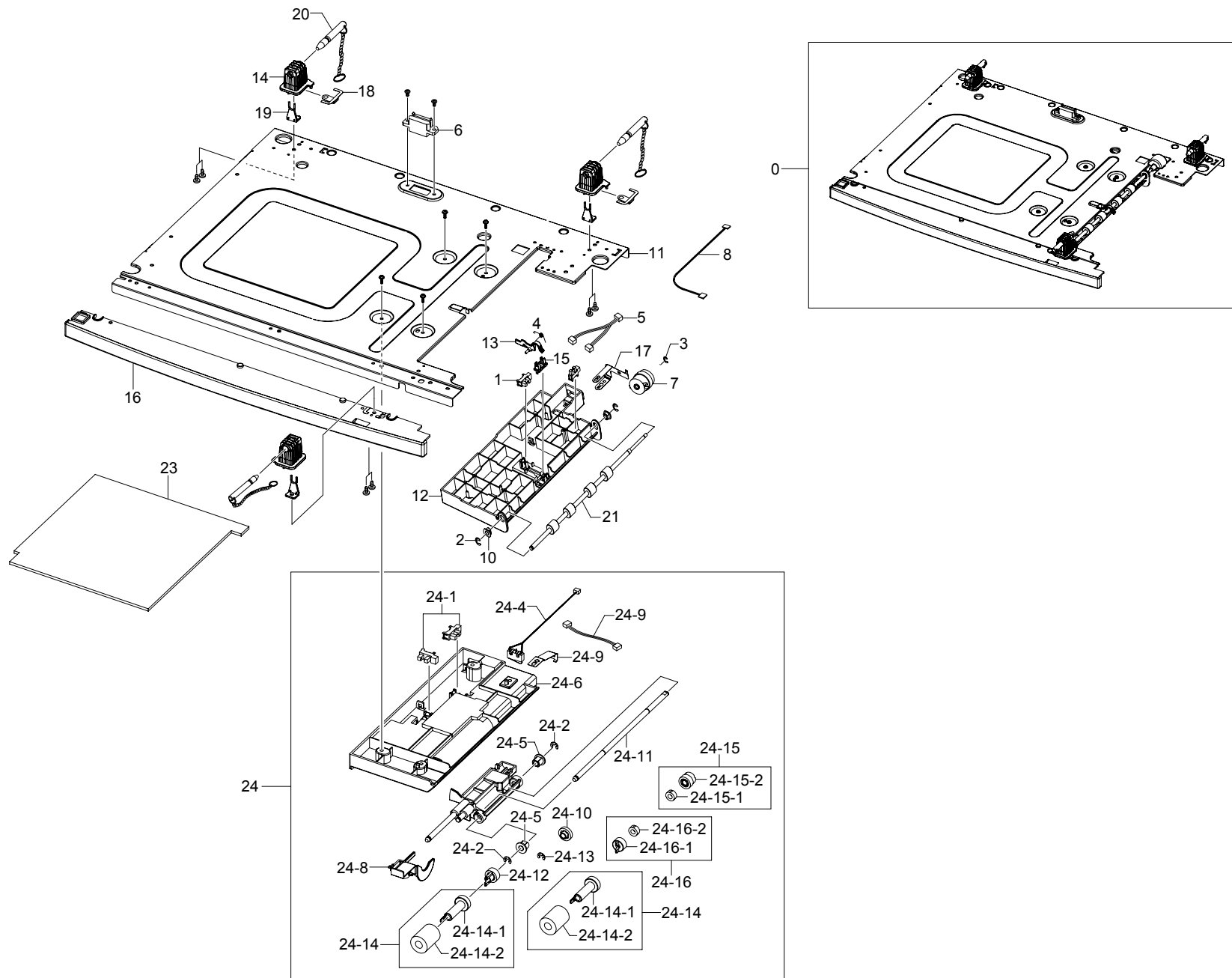
As-unit frame right parts list

SA : SERVICE AVAILABLE, SNA : SERVICE not AVAILABLE

Drawer#	SEC_Code	Description	QT'y	Service	Grade	Remark
0	JC81-06298A	AS-UNIT FRAME RIGHT	1	SA	B	
1	-	FRAME-RIGHT_HCF	1	SNA	D	
2	JC97-02284A	MAE UNIT-GUIDE PU SCF	1	SNA	B	
2-1	JC61-01325A	GUIDE-M_PU LOWER SCF	1	SNA	B	
2-2	JC61-01326A	GUIDE-M_PU UPPER SCF	1	SNA	B	
2-3	JC63-00754A	SHEET-GUIDE FILM SCF	1	SA	B	
3	JC97-02290A	MEA UINT-RETARD	1	SA	B	
3-1	6044-000125	RING-E, ID4	5	SA	A	
3-2	JC61-00423A	BUSH-6D	4	SA	B	
3-3	JC61-01348A	BRACKET-P-RETARD	1	SNA	D	
3-4	JC61-01349A	BRACKET-P_BAR RETARD	1	SNA	D	
3-5	JC66-00937A	SHAFT-RETARD S	1	SA	A	
3-6	JC66-00938A	SHAFT-RETARD M	1	SNA	D	
3-7	JC66-00939A	SHAFT-LOCK	1	SA	A	
3-8	JC66-00976A	JOINT-M_RETARD	1	SA	D	

Drawer#	SEC_Code	Description	QT'y	Service	Grade	Remark
3-9	JC67-00126A	COUPLER-TORQUE LIMITER	1	SA	B	
3-10	JC97-02259A	MEA UNIT-ROLLER PU	1	SA	A	
4	JC97-02275B	MEA UNIT-SCF DOOR	1	SA	D	
4-1	6107-001206	SPRING TS	1	SNA	D	
4-2	JC61-01327B	GUIDE-DOOR INNER	1	SNA	D	
4-3	JC61-01328A	PLATE-P_GUIDE SCF	1	SNA	D	
4-4	JC61-01404A	BRACKET-P_HANDLE SCF	1	SNA	D	
4-5	JC61-70959B	SPRING ETC-FEED	2	SNA	B	
4-6	JC64-00204A	LOCKER-LEFT	1	SNA	B	
4-7	JC64-00204B	LOCKER-RIGHT	1	SNA	B	
4-8	JC64-00208B	HANDLE-M_DOOR	1	SNA	B	
4-9	JC66-00661A	SHAFT-EXIT IDLE	1	SNA	B	
4-10	JC66-01022A	ROLLER-M_IDLE SCF	4	SNA	B	
5	JC61-01399A	PLATE-P_LOCKER L	1	SNA	B	
6	JC61-01400A	PLATE-P_LOCKER R6	1	SNA	B	

47-5. Ela hou-upper



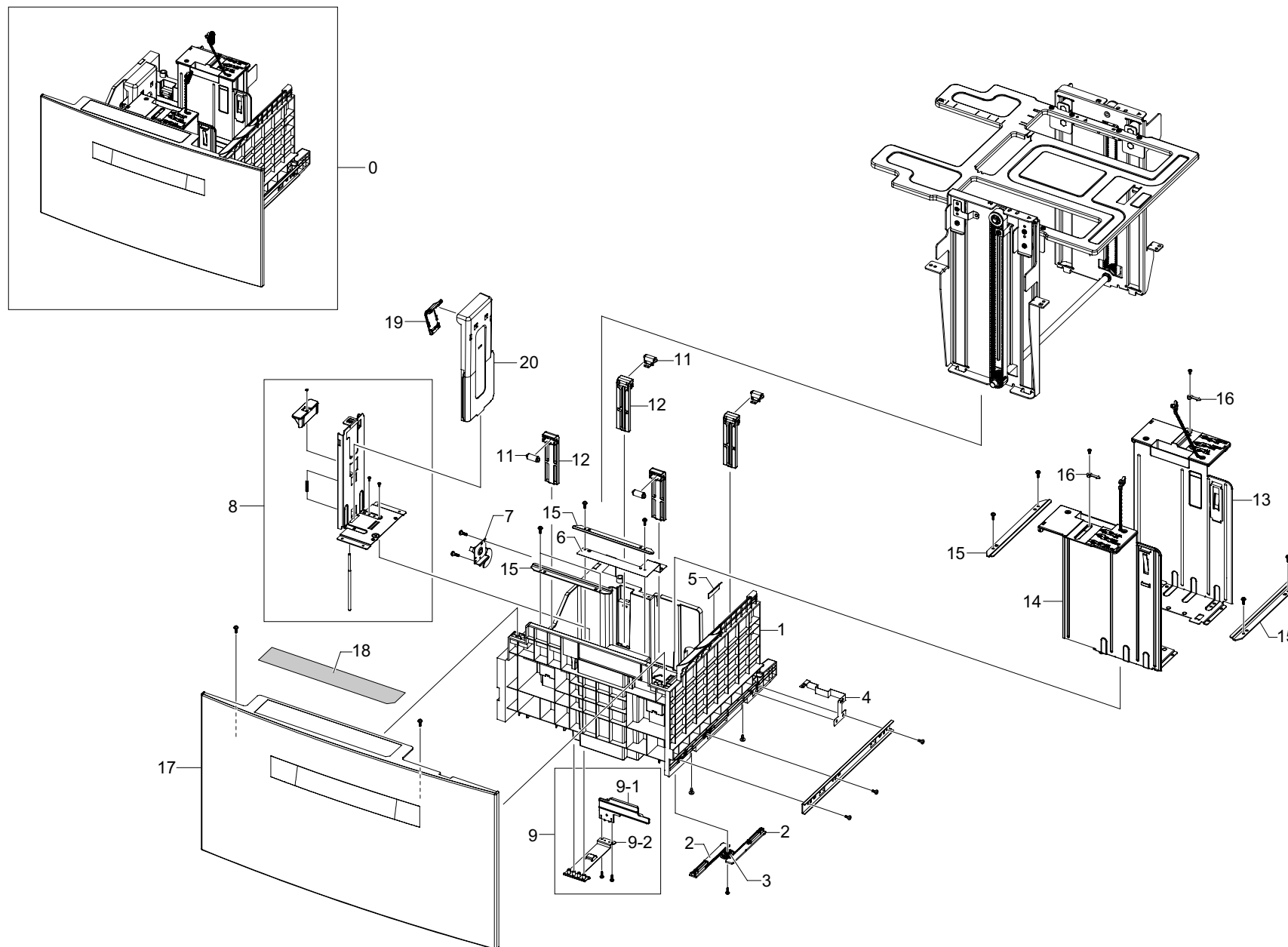
Ela hou-upper parts list

SA : SERVICE AVAILABLE, SNA : SERVICE not AVAILABLE

Drawer#	SEC_Code	Description	QT'y	Service	Grade	Remark
0	-	ELA HOU-UPPER_HCF	1	SNA	D	
1	0604-001095	PHOTO-INTERRUPTER	2	SA	A	
2	6044-000125	RING-E, ID4	2	SA	A	
3	6044-000159	RING-C, ID3	1	SA	B	
4	6107-001261	SPRING-TS	1	SA	A	
5	JC39-00461A	CBF HARNESS-SCF_FEED	1	SA	D	
6	JC39-00547A	CBF HARNESS-SCF	1	SA	D	
7	JC66-01865A	CLUTCH-ELECTRIC	1	SA	D	
8	JC39-00721A	HARNESS-SCF_CLT	1	SA	D	
10	JC61-00423A	BUSH-6_D	2	SA	B	
11	-	PLATE-TOP_HCF	1	SNA	D	
12	JC61-01401A	HOUSING-M_PICKUP SCF	1	SA	D	
13	JC61-01402A	LEG-M_ACT FEED SCF	1	SA	D	
14	JC61-01403A	HOLDER-M_PIN	3	SA	D	
15	JC61-01403A	HOLDER ACTUATOR SCF	1	SA	D	
16	JC63-00771B	COVER-M_FRONT SCF	1	SA	D	
17	JC63-00825A	GROUND-P_SHAFT SCF	1	SA	D	
18	JC63-00826A	GROUND-P_TOP	2	SA	D	
19	JC64-00207A	LOCKER-M_GRIP PIN	3	SA	D	
20	JC66-01021A	SHAFT-PIN LOCK	3	SA	D	
21	JC66-02012A	ROLLER-FEED SCF	1	SA	D	
23	-	SPONGE-TOP	1	SNA	D	
24	JC96-03558A	ELA UNIT PICKUP	1	SA	D	

Drawer#	SEC_Code	Description	QT'y	Service	Grade	Remark
24-1	0604-001095	PHOTO-INTERRUPTER	2	SA	A	
24-2	6044-000125	RING-E, ID4	2	SA	A	
24-3	-	HCF_EMPTY HARNESS	1	SNA	D	
24-4	JC39-00477A	HARNESS-MOTOR_SW	1	SA	D	
24-5	JC61-00884A	BUSH 6D L	2	SNA	D	
24-6	JC61-01298A	FRAME-M_BASE PICK UP	1	SNA	D	
24-7	JC61-01299A	GUIDE-M_UPPER PICK UP	1	SNA	A	
24-8	JC61-01350A	LEG-M_ACT NO PAPER	1	SNA	A	
24-9	JC63-00743A	GROUND-P_SHAFT PU	1	SNA	D	
24-10	JC66-00940A	GEAR-M_IDLE PU	1	SA	D	
24-11	JC66-00942A	SHAFT-PICKUP	1	SNA	D	
24-12	JC66-00943A	GEAR-M_PU JOINT	1	SA	D	
24-13	6044-000159	RING-E, ID3	1	SA	B	
24-14	JC97-02259A	MEA UNIT-ROLLER PU	2	SA	A	
24-14-1	JC61-01409A	HOUSING-M_ROLLER PU	1	SNA	D	
24-14-2	JC73-00216A	RUBBER-ROLLER P	1	SA	D	
24-15	JC97-02291A	MEA UNIT-GEAR ONE WAY	1	SNA	D	
24-15-1	JC66-00941A	GEAR-M_ONE WAY	1	SA	D	
24-15-2	JC66-00977A	CLUTCH-P_ONE WAY	1	SA	D	
24-16	JC97-02292A	MEA UNIT-IDLE FORWARD	1	SA	D	
24-16-1	JC61-01288A	HOLDER-M_IDLE ONE WAY	1	SA	D	
24-16-2	JC66-00977A	CLUTCH-P_ONE WAY	1	SA	D	

47-6. As-unit cassette



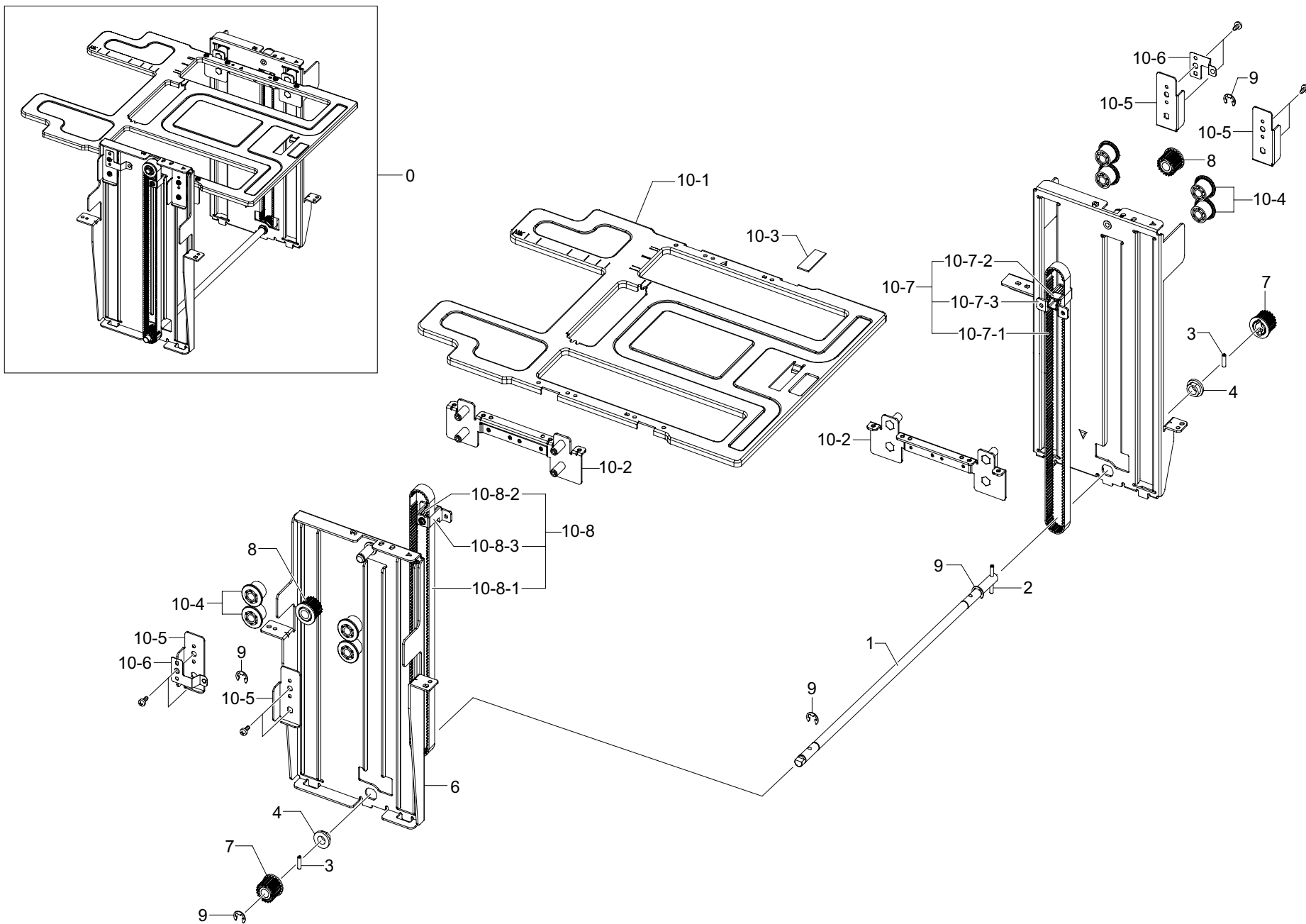
As-unit cassette parts list

SA : SERVICE AVAILABLE, SNA : SERVICE not AVAILABLE

Drawer#	SEC_Code	Description	QT'y	Service	Grade	Remark
0	JC81-06068A	AS-UNIT CASSETTE HCF	1	SA	D	
1	-	FRAME-CASSETTE_HCF	1	SNA	D	
2	-	RACK-GEAR_HCF	2	SNA	D	
3	JC66-01020A	GEAR-M_PINION 24	1	SA	D	
4	-	GROUND-RAIL_HCF	1	SNA	D	
5	JC63-00747A	SHEET-GUIDE RETARD	1	SA	D	
6	-	GROUND-REAR_HCF	1	SNA	D	
7	-	MEA UNIT-HOLDER_HCF	1	SNA	D	
7-1	-	PLATE-HOLDER LOCKER	1	SNA	D	
7-2	-	BRKT-HOLDER-LOCKER_HCF	1	SNA	D	
7-3	-	STUD-HOLDER_HCF	1	SNA	D	
8	-	SUB GUIDE REAR	1	SNA	D	
9	-	SUB SUPPORT	1	SNA	D	
9-1	JC61-01417A	SUPPORT-M_PUSH PAPER	1	SNA	D	
9-2	-	SUPPORT-BAR PAPER	1	SNA	D	

Drawer#	SEC_Code	Description	QT'y	Service	Grade	Remark
10	-	MEA UNIT-KNOCK UP_HCF	4	SNA	D	
11	JC81-06074A	AS-UNIT SPRING ROLL	4	SA	D	
11-1	-	SPRING-ROLL	4	SNA	D	
11-2	-	BRKT-SPRING ROLL	4	SNA	D	
12	JC81-06075A	AS-GUIDE SPRING ROLL	4	SA	D	
13	-	MEA UNIT-PAPER SIDE R_HCF	1	SNA	D	
14	-	MEA UNIT-PAPER SIDE L_HCF	1	SNA	D	
15	-	PLATE-GUIDE RAIL	4	SNA	D	
16	-	SET-PAPER_HCF	2	SNA	D	
17	-	COVER-CASSETTE_HCF	1	SNA	D	
18	-	LABEL(R)-INSTALLATION	1	SNA	D	
19	JC81-06070A	AS-COVER PAPER HOOK	1	SA	B	
20	JC81-06069A	AS-COVER PAPER REAR DUMMY	1	SA	B	

47-7. Mea unit-knock up



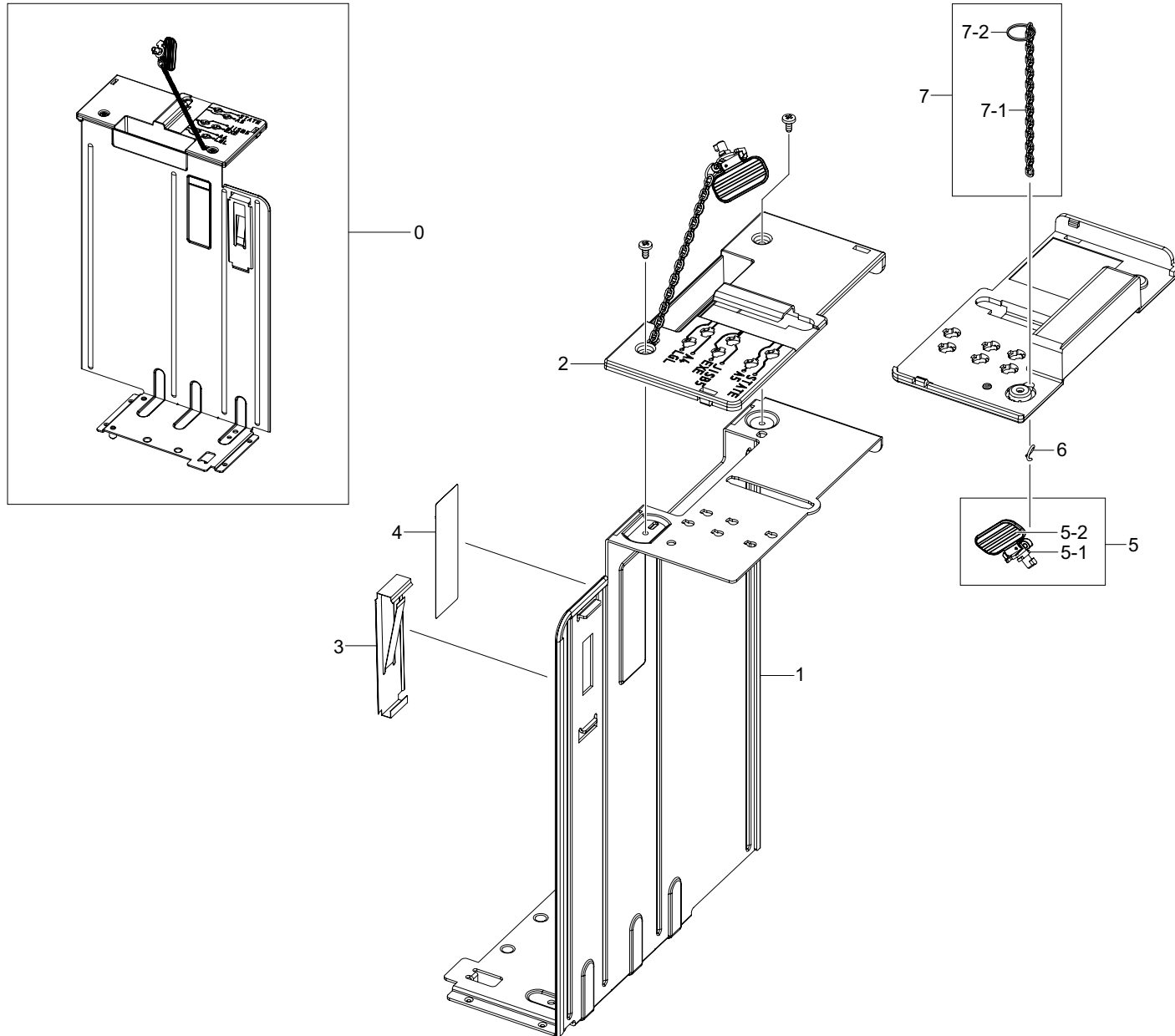
Mea unit-knock up parts list

SA : SERVICE AVAILABLE, SNA : SERVICE not AVAILABLE

Drawer#	SEC_Code	Description	QT'y	Service	Grade	Remark
0	-	MEA UNIT-KNOCK UP_HCF	1	SNA	D	
1	-	SHAFT-PLATE LEVER	1	SNA	D	
2	-	SPRING-PIN ASMO	1	SNA	D	
3	-	SPRING-PIN PULLEY	2	SNA	D	
4	JC61-00426A	BUSH 8/5	2	SA	D	
5	-	PLATE-LIFT R	1	SNA	D	
6	-	PLATE-LIFT L	1	SNA	D	
7	-	PULLEY-LOWER BELT	2	SNA	D	
8	-	PULLEY-UPPER BELT	2	SNA	D	
9	6044-000129	RING-E	6	SA	D	
10	-	SUB KNOCK-UP	1	SNA	D	
10-1	-	PLATE-KNOCK UP	1	SNA	D	
10-2	-	BRKT-KNOCK UP	2	SNA	D	

Drawer#	SEC_Code	Description	QT'y	Service	Grade	Remark
10-3	JC69-00494A	RPR- PAD MP(PLUS)	1	SA	A	
10-4	-	ROLLER-GUIDE KU	8	SNA	D	
10-5	-	BRKT-GUIDE ROLLER	4	SNA	D	
10-6	-	GROUND-LEFT_HCF	2	SNA	D	
10-7	JC81-06071A	AS-UNIT BELT R HCF	1	SA	B	
10-7-1	JC81-06072A	AS-TIMING BELT S3M	1	SA	B	
10-7-2	-	BELT-STOPPER	1	SNA	D	
10-7-3	-	BRKT-STOPPER_R	1	SNA	D	
10-8	JC81-06073A	AS-UNIT BELT L HCF	1	SA	B	
10-8-1	JC81-06072A	AS-TIMING BELT S3M	1	SA	B	
10-8-2	-	BELT-STOPPER	1	SNA	D	
10-8-3	-	BRKT-STOPPER_L	1	SNA	D	

47-8. Mea unit-paper side r



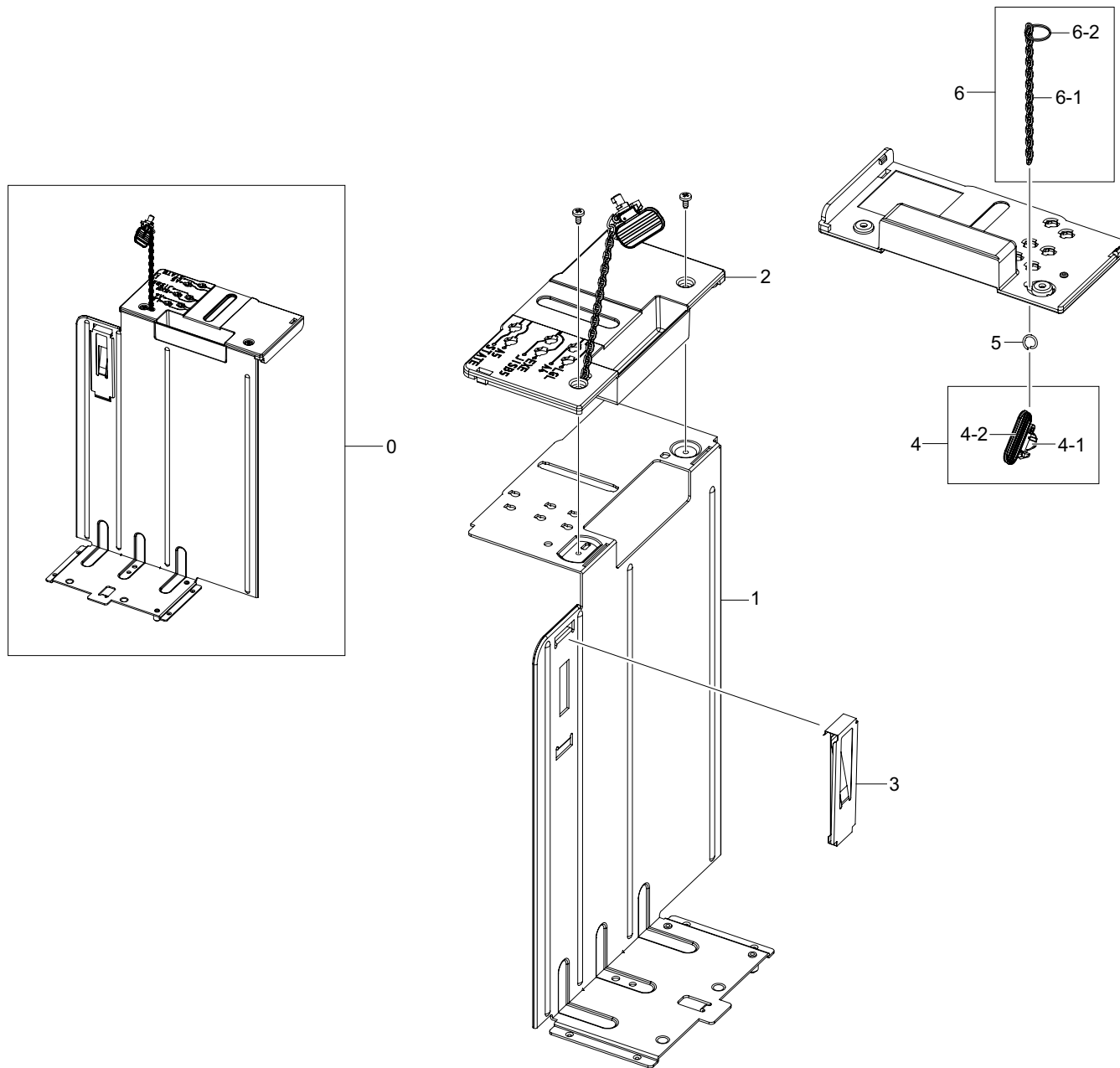
Mea unit-paper side r parts list

SA : SERVICE AVAILABLE, SNA : SERVICE not AVAILABLE

Drawer#	SEC_Code	Description	QT'y	Service	Grade	Remark
0	-	MEA UNIT-PAPER SIDE R_HCF	1	SNA	D	
1	-	PLATE-PAPER SIDE R	1	SNA	D	
2	-	COVER-PAPER_SIDE R	1	SNA	D	
3	JC70-10929A	IPR-SPR PLATE G/SIDE	1	SA	D	
4	JC68-01621A	LABEL(R)-MAX FILL	1	SA	D	
5	JC81-06076A	AS-PIN PAPER HCF	1	SA	B	

Drawer#	SEC_Code	Description	QT'y	Service	Grade	Remark
5-1	-	PIN-PAPER_HCF	1	SNA	D	
5-2	-	PIN-HANDLE_HCF	1	SNA	D	
6	-	PIN_RING	1	SNA	D	
7	-	MEA UNIT-LINK	1	SNA	D	
7-1	-	PIN_LINK	1	SNA	D	
7-2	-	PIN_SPRING	1	SNA	D	

47-9. Mea unit-paper side I



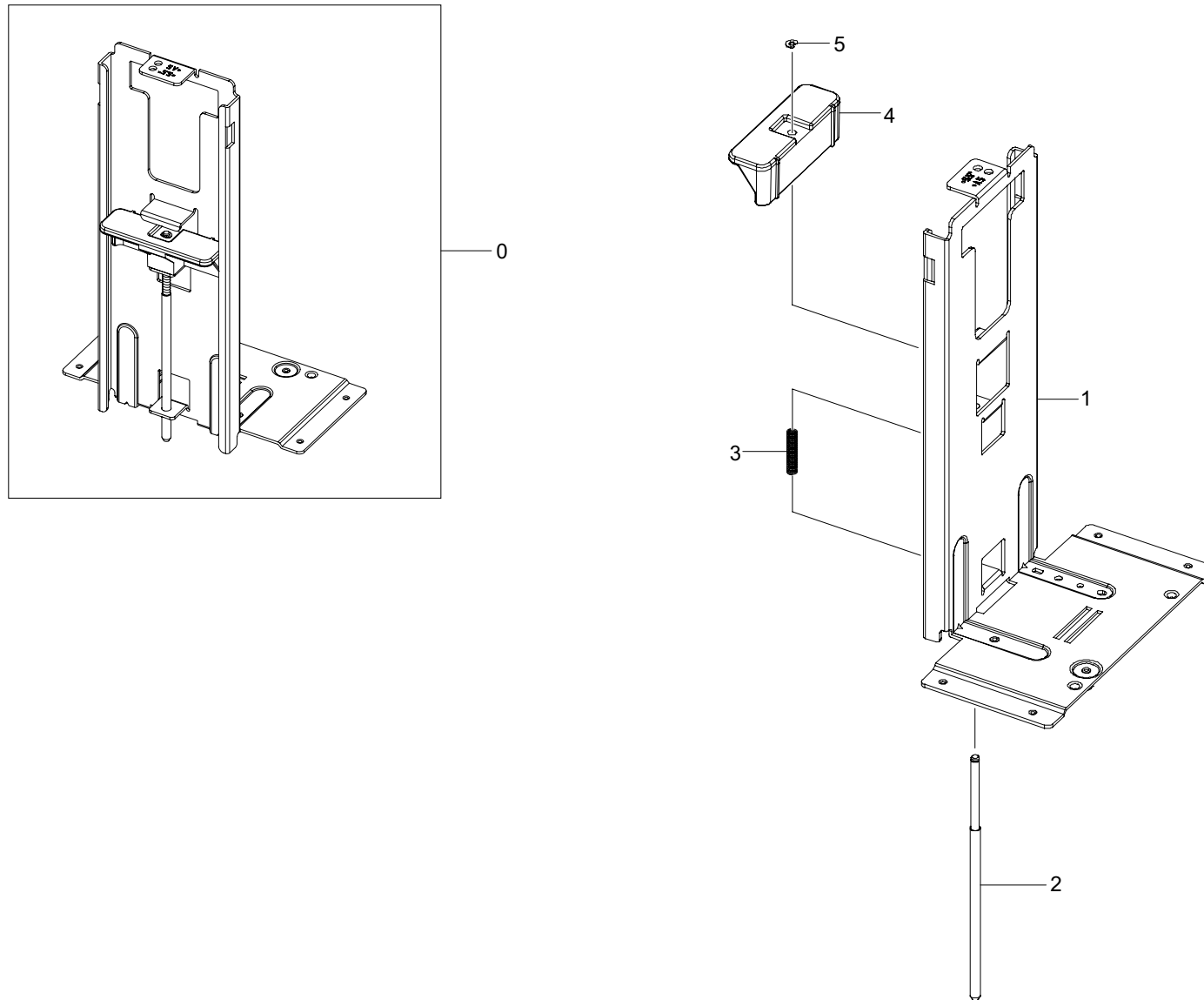
Mea unit-paper side I parts list

SA : SERVICE AVAILABLE, SNA : SERVICE not AVAILABLE

Drawer#	SEC_Code	Description	QT'y	Service	Grade	Remark
0	-	MEA UNIT-PAPER SIDE L_HCF	1	SNA	D	
1	-	PLATE-PAPER SIDE L	1	SNA	D	
2	-	COVER-PAPER_SIDE L	1	SNA	D	
3	JC70-10929A	IPR-SPR PLATE G/SIDE	1	SA	D	
4	JC81-06076A	AS-PIN PAPER HCF	1	SA	B	
4-1	-	PIN-PAPER_HCF	1	SNA	D	

Drawer#	SEC_Code	Description	QT'y	Service	Grade	Remark
4-2	-	PIN-HANDLE_HCF	1	SNA	D	
5	-	PIN_RING	1	SNA	D	
6	-	MEA UNIT-LINK	1	SNA	D	
6-1	-	PIN_LINK	1	SNA	D	
6-2	-	PIN_SPRING	1	SNA	D	

47-10. Sub guide rear



Sub guide rear parts list

SA : SERVICE AVAILABLE, SNA : SERVICE not AVAILABLE

Drawer#	SEC_Code	Description	QT'y	Service	Grade	Remark
0	-	SUB GUIDE REAR	1	SNA	D	
1	-	PLATER-PAPER REAR	1	SNA	D	
2	-	SHAFT-HOOK	1	SNA	D	

Drawer#	SEC_Code	Description	QT'y	Service	Grade	Remark
3	JC61-00043A	SPRING-F/DOWN	1	SNA	D	
4	-	HANDLE-PAPER HOOK	1	SNA	D	
5	6044-000159	RING-E, ID3	1	SA	B	