

5. Exploded Views and Parts List

Contents

Thumbnail	5-2	5.16 Hinge Unit	5-37
5.1 Main	5-4	5.17 OPE 3in1	5-39
5.2 Cover Unit	5-7	5.18 OPE 4in1	5-41
5.3 Front Cover	5-9	5.19 Platen Ass'y	5-43
5.4 MP Tray	5-11	5.20 ADF Ass'y	5-46
5.5 Middle Cover	5-13	5.21 Platen Cover ADF	5-48
5.6 Reverse Unit	5-15	5.22 ADF Lower	5-50
5.7 Top Cover	5-17	5.23 ADF Motor	5-52
5.8 Reverse Frame	5-19	5.24 DADF Ass'y	5-54
5.9 Reverse Drive	5-21	5.25 Platen Cover DADF	5-56
5.10 Frame	5-23	5.26 DADF lower	5-58
5.11 Feed Drive	5-25	5.27 DADF Motor	5-60
5.12 Fuser Unit	5-27	5.28 Cassette	5-62
5.13 Fuser Drive	5-30	5.29 SCF Unit	5-64
5.14 PTB	5-32	5.30 SCF Cassette	5-66
5.15 Scan Ass'y	5-35		

DIGITAL LASER PRINTER


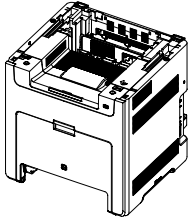
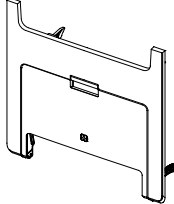
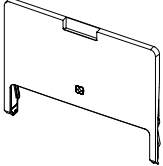
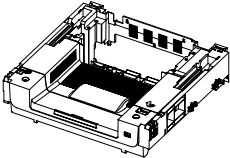
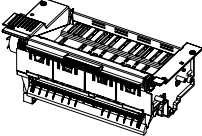
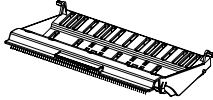
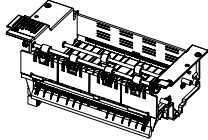
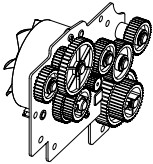
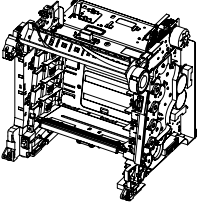
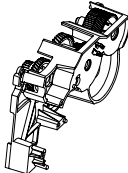
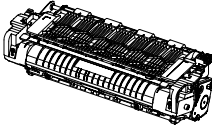
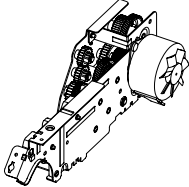
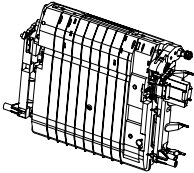
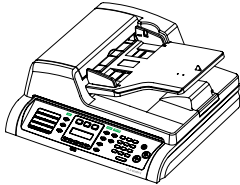
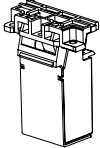
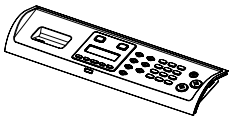
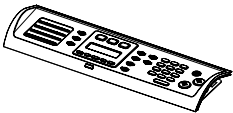
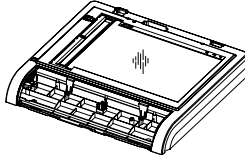
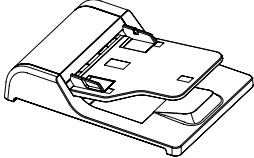


The keynote of Product

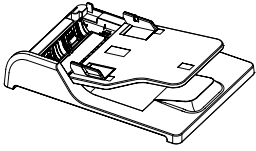
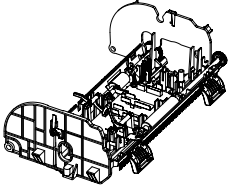
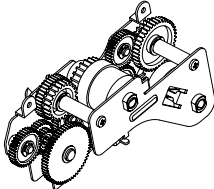
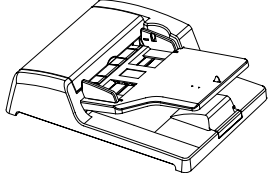
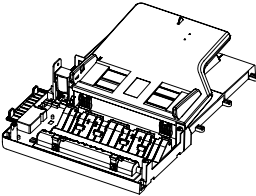
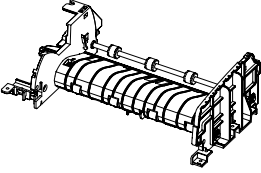
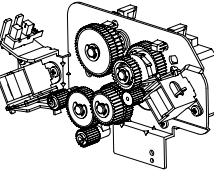
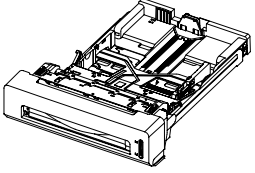
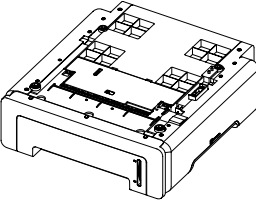
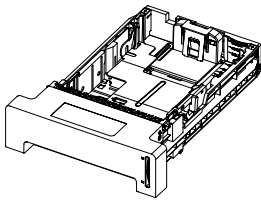
A4 Tandem CMFP to Maximize Office Productivity

- Speed
CLX-6200ND,6200FX,6210FX(20/20 ppm)
CLX-6240FX(24/24 ppm)
- Resolution
2,400 X 600 dpi (effective output)
- CPU
CLX-6200ND,6200FX,6210FX(360MHz)
CLX-6240FX(533MHz)
- Memory
CLX-6200ND,6200FX,6210FX(128 MB)
CLX-6240FX(256MB)
- Duplex
- ADF (6200FX) , DADF(6200ND,6210FX,6240FX)

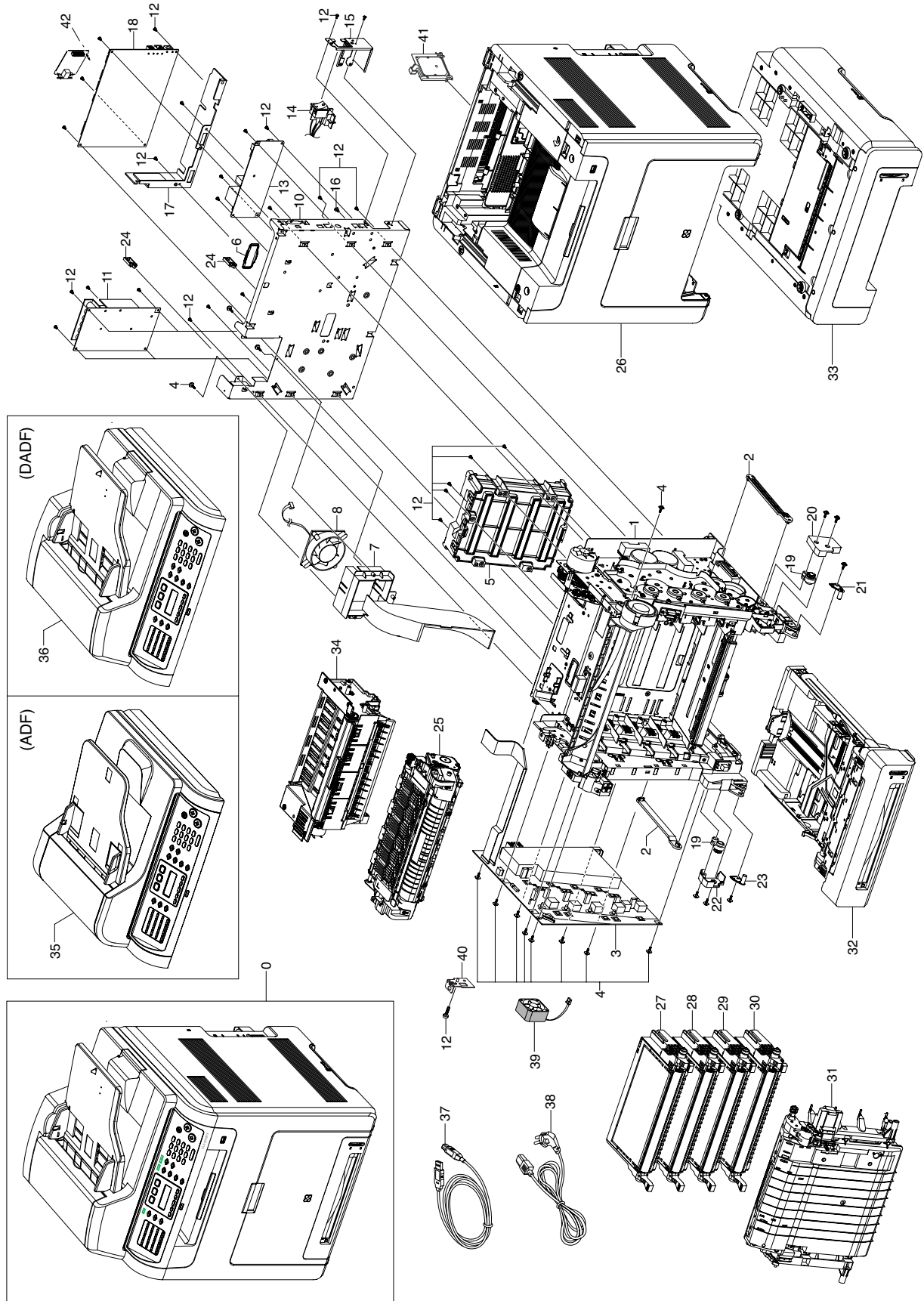
Thumbnail

			
5.1 Main	5.2 Cover Unit	5.3 Front Cover	5.4 MP Tray
			
5.5 Middle Cover	5.6 Reverse Unit	5.7 Top Cover	5.8 Reverse Frame
			
5.9 Reverse Drive	5.10 Frame	5.11 Feed Drive	5.12 Fuser Unit
			
5.13 Fuser Drive	5.14 PTB	5.15 Scan Ass'y	5.16 Hinge Unit
			
5.17 OPE(3in1)	5.18 OPE(4in1)	5.19 Platen Ass'y	5.20 ADF Ass'y

Thumbnail

			
5.21 Platen Cover ADF	5.22 ADF Lower	5.23 ADF Motor	5.24 DADF Ass'y
			
5.25 Platen Cover DADF	5.26 DADF Lower	5.27 DADF Motor	5.28 Cassette
			
5.29 SCF Unit	5.30 SCF Cassette		

5.1 Main



Main Parts List

SA : SERVICE AVAILABLE, SNA : SERVICE not AVAILABLE

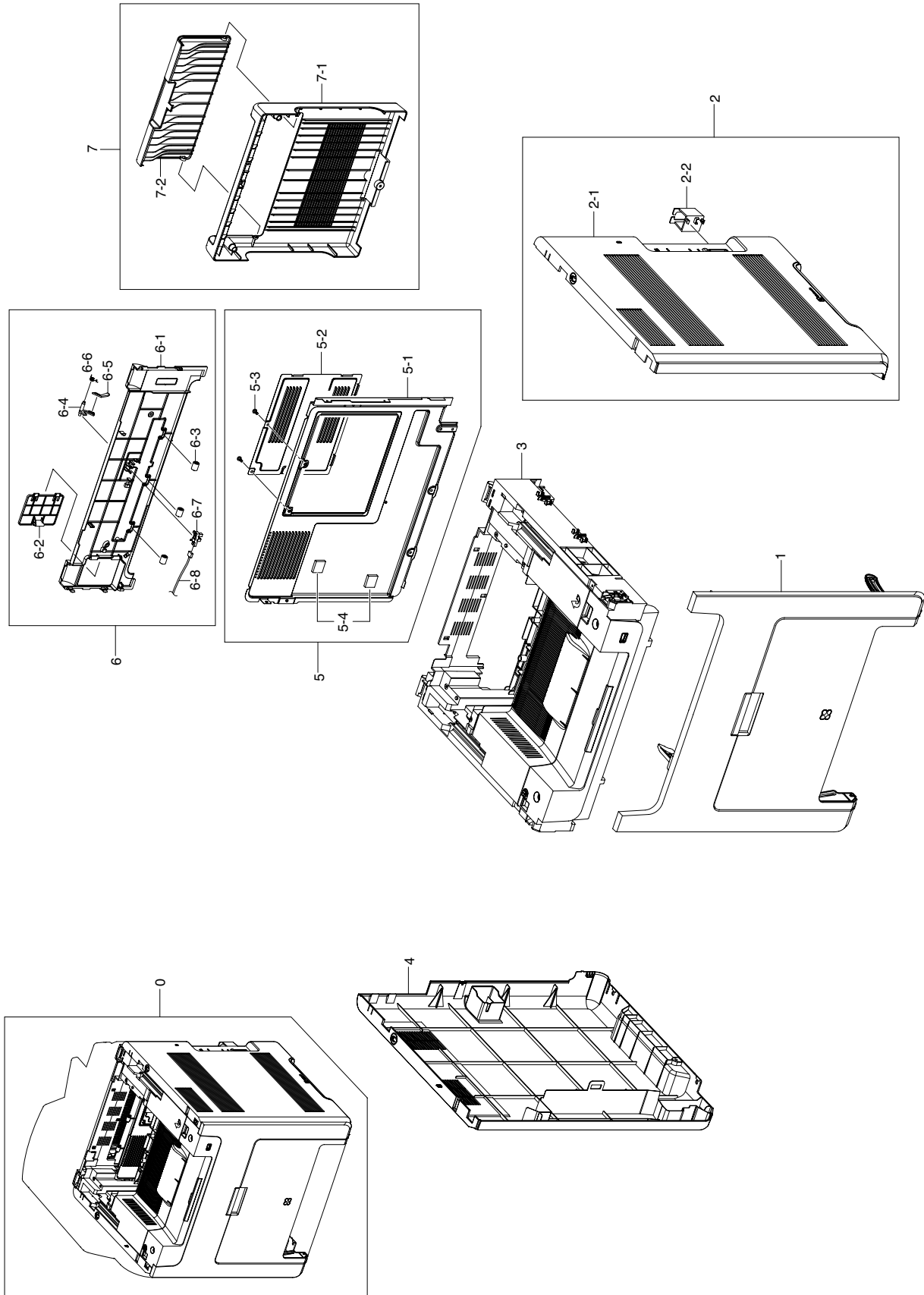
Drawer#	SEC_Code	Description	Qt'y	*Service	*Grade	Remark
5.1-0	CLX-6200FX	4in1 MFP, 20ppm, ADF, FAX				
5.1-0	CLX-6200ND	3in1 MFP, 20ppm, ADF				
5.1-0	CLX-6210FX	4in1 MFP, 20ppm, DADF, FAX				
5.1-0	CLX-6240FX	4in1 MFP, 24ppm, DADF, FAX				
5.1-1	JC96-04490B	ELA UNIT--MAIN-FRAME	1	SA	A	
5.1-2	JC66-01422A	LINK-HINGE	2	SNA	A	
5.1-3	JC44-00136A	HVPS	1	SA	A	
5.1-4	6003-000196	SCREW-TAPTITE	32	SA	A	
5.1-5	JC96-04500A	ELA UNIT-LSU	1	SA	A	
5.1-6	JC61-01012A	GUIDE-_M_BUSH HARNESS S	1	SNA	A	
5.1-7	JC61-01910A	FRAME-DUCT	1	SNA	A	
5.1-8	JC31-00088A	FAN--DC	1	SA	A	
5.1-10	JC61-01866A	BRACKET-MAIN	1	SNA	D	CLX-6200/6210
5.1-10	JC61-01866B	BRACKET-MAIN	1	SNA	D	CLX-6210
5.1-11	JC44-00093A	SMPS-PSP_TYPE5_V1	1	SA	A	110V
5.1-11	JC44-00100A	SMPS-PSP_TYPE5_V2C	1	SA	A	220V
5.1-12	6003-000269	SCREW-TAPTITE	41	SA	A	
5.1-13	JC44-00142A	FDB-MULTI TRIAC V1	1	SA	A	110V
5.1-13	JC44-00143A	FDB-MULTI TRIAC V2C	1	SA	A	220V
5.1-14	JC39-00943A	HARNESS-AC INLET	1	SA	A	
5.1-15	JC61-01867A	BRACKET-DUMMY_POWER	1	SNA	A	
5.1-16	6003-000301	SCREW-TAPTITE	1	SNA	F	
5.1-17	JC61-01854A	GUIDE-HARNESS	1	SNA	A	
5.1-18	JC92-01956A	PBA-MAIN	1	SA	A	CLX-6240
5.1-18	JC92-01955C	PBA-MAIN	1	SA	A	CLX-6210FX
5.1-18	JC92-01955A	PBA-MAIN	1	SA	A	CLX-6200FX
5.1-18	JC92-01902B	PBA-FAX CARD	1	SA	A	CLX-6200FX
5.1-18	JC92-01955B	PBA-MAIN	1	SA	A	CLX-6200ND
-	JC96-04902A	ELA HOU-MAIN_DIMM	1	SA	A	CLX-6200FX
-	JC96-04902C	ELA HOU-MAIN_DIMM	1	SA	A	CLX-6210FX
5.1-19	JC66-01425A	DAMPER-HINGE	2	SNA	D	
5.1-20	JC61-01912A	FRAME-DAMPER_L	1	SNA	A	
5.1-21	JC61-01897A	BRACKET-HINGE_R	1	SNA	A	
5.1-22	JC61-01911A	FRAME-DAMPER_R	1	SNA	A	
5.1-23	JC61-01896A	BRACKET-HINGE_L	1	SNA	A	
5.1-24	6502-001093	CABLE CLAMP	1	SA	A	
5.1-25	JC96-04495A	ELA UNIT-FUSER LV,CLP-660	1	SA	A	110V
5.1-25	JC96-04496A	ELA UNIT-FUSER HV,CLP-660	1	SA	A	220V
5.1-25	JC96-04544A	ELA UNIT-FUSER LV,CLP-610	1	SA	A	110V
5.1-25	JC96-04545A	ELA UNIT-FUSER HV,CLP-610	1	SA	A	220V
5.1-26	JC96-04798A	ELA UNIT-COVER	1	SNA	A	
5.1-27	JC96-04391D	ELA UNIT-DEV K_SET	1	SNA	A	Sales
5.1-28	JC96-04392D	ELA UNIT-DEV C_SET	1	SNA	A	Sales

Main Parts List

SA : SERVICE AVAILABLE, SNA : SERVICE not AVAILABLE

Drawer#	SEC_Code	Description	Qt'y	*Service	*Grade	Remark
5.1-29	JC96-04393D	ELA UNIT-DEV M_SET	1	SNA	A	Sales
5.1-30	JC96-04394D	ELA UNIT-DEV Y_SET	1	SNA	A	Sales
5.1-31	JC96-04406A	ELA UNIT-PTB SET_DUPLEX	1	SNA	A	Sales
5.1-32	JC96-04498A	ELA HOU-UNIT_CASSETTE	1	SA	A	
5.1-33	JC96-04957A	ELA HOU-UNIT_SCF	1	SNA	A	Sales
5.1-34	JC96-04800A	ELA UNIT-REVERSE	1	SA	A	
5.1-35	JC96-04901A	ELA HOU-SCAN	1	SA	A	
5.1-36	JC96-04794E	ELA HOU-SCAN	1	SA	A	6210FX
5.1-37		USB CABLE	1	SA	A	
5.1-38	3903-000085	CBF-POWER CORD	1	SA	E	110V
5.1-38	3903-000042	CBF-POWER CORD	1	SA	E	220V
5.1-39	JC31-00050A	FAN	1	SA	D	
5.1-40	JC61-02656A	BRACKET-OPE SIDE	1		B	
5.1-41	CLX-HDK410	HARD DISK_KIT; Optional kit	1	SNA	A	Sales
5.1-41	JC96-04817A	HDD_DSK;CLX-6240FX BUILT IN	1	SA	A	6240FX
5.1-42	JC92-01902B	PBA FAX_CARD	1	SA	A	FAX MODEL

5.2 Cover Unit

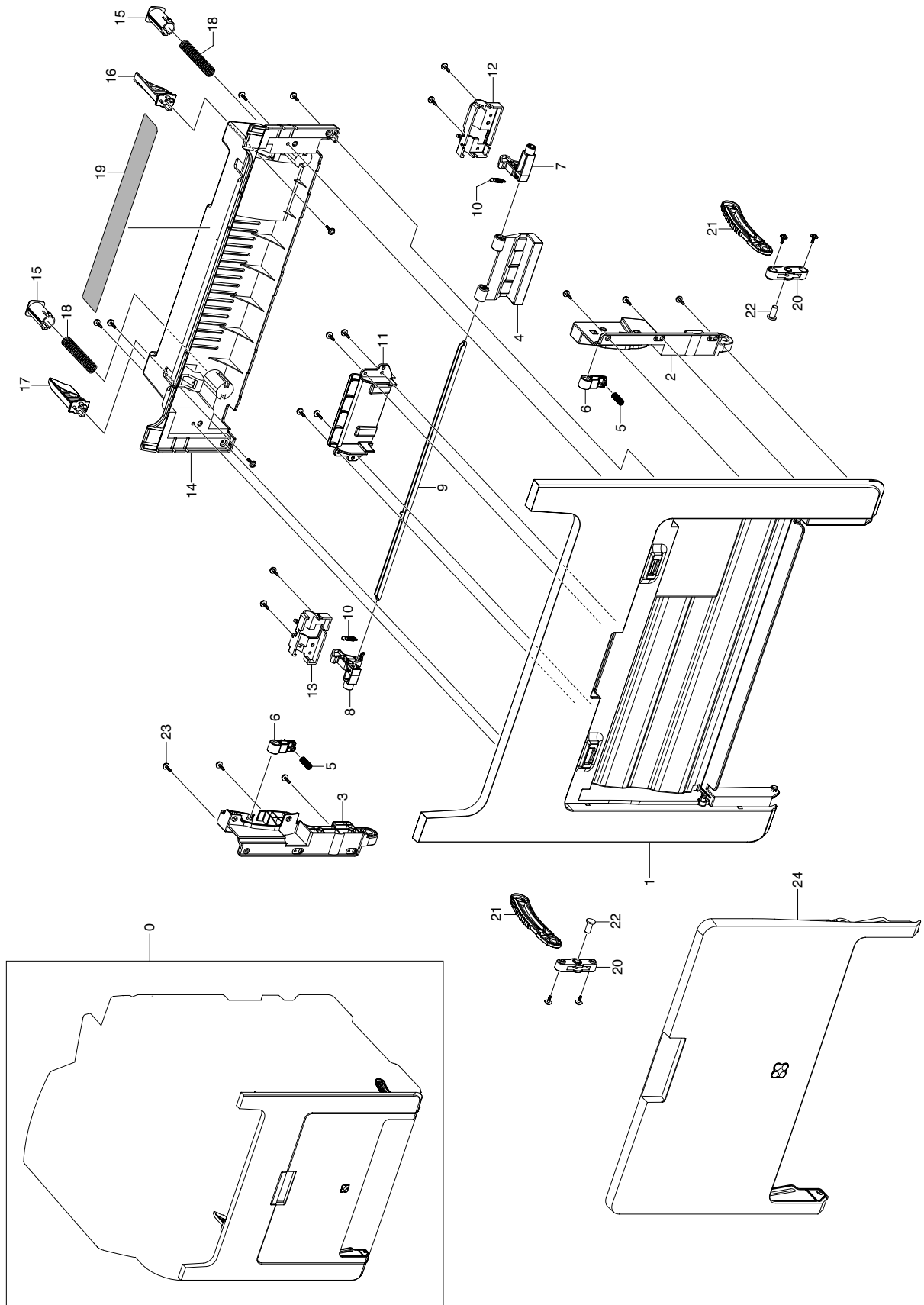


Cover Unit Parts List

SA : SERVICE AVAILABLE, SNA : SERVICE not AVAILABLE

Drawer#	SEC_Code	Description	Qt'y	*Service	*Grade	Remark
5.2-0	JC96-04798A	ELA UNIT-COVER	1	SNA	A	
5.2-1	JC97-03051A	MEA-COVER_FRONT	1	SA	A	
5.2-2	JC97-03083A	MEA-COVER RIGHT	1	SA	A	
5.2-2	JC97-03083B	MEA-COVER RIGHT	1	SA	A	CLX-6200ND
5.2-2-1	JC63-01520A	COVER-RIGHT	1	SNA	D	CLX-6200FX
5.2-2-1	JC63-01520B	COVER-RIGHT	1	SNA	D	CLX-6200ND
5.2-2-2	JC63-01563A	COVER-WIRE	1	SNA	D	
5.2-3	JC96-04821A	ELA UNIT-COVER MIDDLE	1	SA	A	
5.2-4	JC63-01519A	COVER-LEFT	1	SA	A	
5.2-5	JC97-03052A	MEA-BRACKET REAR	1	SA	A	
5.2-5-1	JC61-02211A	BRACKET-REAR	1	SNA	A	
5.2-5-2	JC63-01314A	COVER-REAR HDD	1	SNA	A	
5.2-5-3	6003-000269	SCREW-TAPTITE	2	SA	A	
5.2-6	JC97-03054A	MEA-MIDDLE REAR	1	SA	A	
5.2-6-1	JC63-01549A	COVER-MIDDLE REAR	1	SNA	D	
5.2-6-2	JC63-01667A	COVER-WLAN	1	SNA	D	
5.2-6-3	JC72-40981A	PMO-ROLLER UPPER DP	3	SA	A	
5.2-6-4	JC66-01924A	ACTUATOR-REAR OUT	1	SNA	D	6240FX
5.2-6-5	JC61-02547A	GUIDE-ACTUATOR	1	SNA	A	6240FX
5.2-6-6	JB61-00076A	SPRING ETC-TORSION DOC (CC2-F)	1	SA	D	6240FX
5.2-6-7	0604-001095	PHOTO-INTERRUPTER	1	SA	A	6240FX
5.2-6-8	JC39-00942A	HARNES-REVERSE JAM	1	SA	A	6240FX
5.2-7	JC97-03053A	MEA-COVER REVERSE	1	SA	A	
5.2-7-1	JC63-01554A	COVER-REV EXIT	1	SNA	D	
5.2-7-2	JC63-01553A	COVER-REVERSE EXIT	1	SNA	D	

5.3 Front Cover

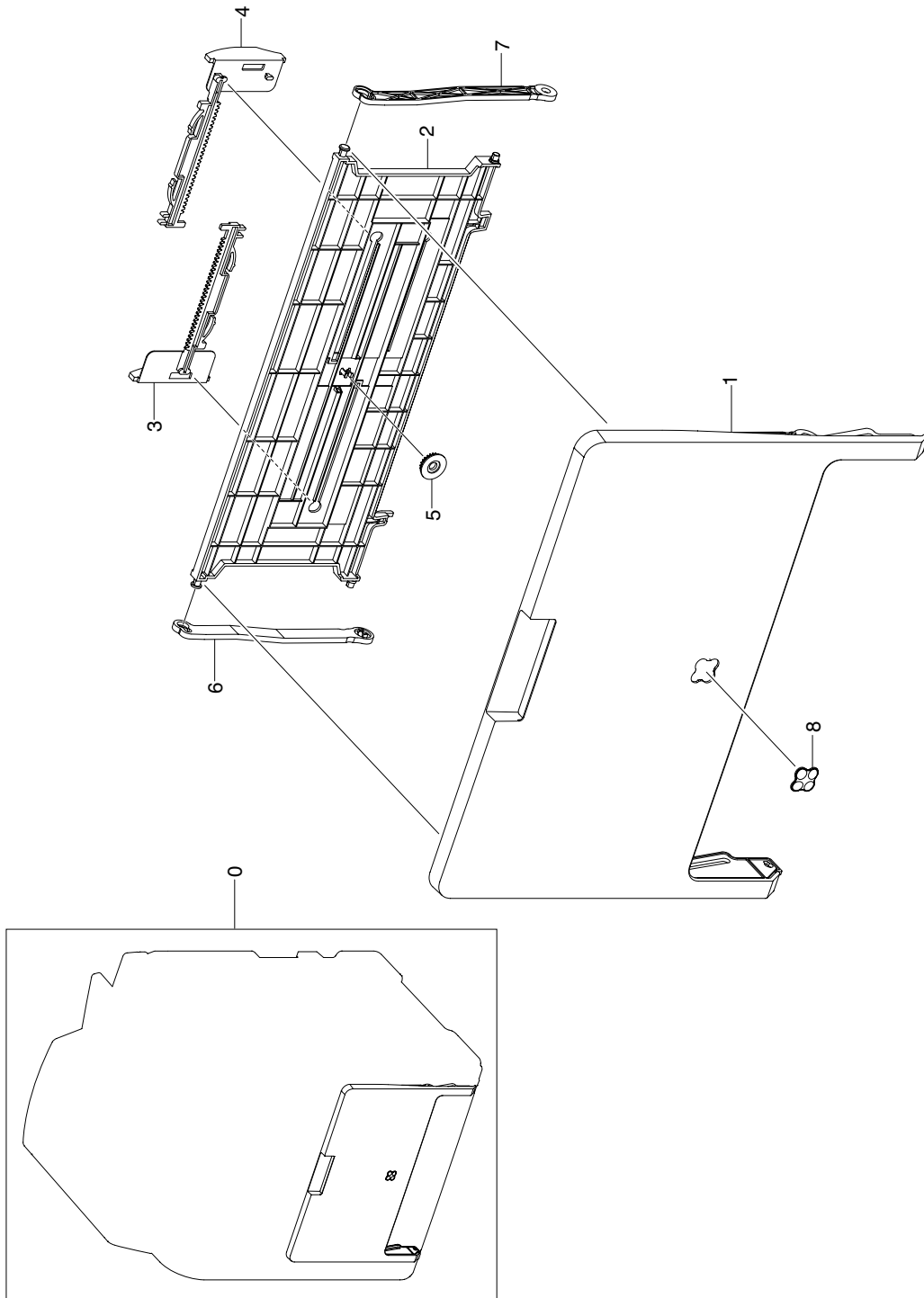


Front Cover Parts List

SA : SERVICE AVAILABLE, SNA : SERVICE not AVAILABLE

Drawer#	SEC_Code	Description	Qt'y	*Service	*Grade	Remark
5.3-0	JC97-03051A	MEA-COVER_FRONT	1	SA	A	
5.3-1	JC63-01521A	COVER-FRONT	1	SA	D	
5.3-2	JC61-01849A	SUPPORT-PTB R	1	SA	A	
5.3-3	JC61-01848A	SUPPORT-PTB L	1	SA	A	
5.3-4	JC64-00299A	KNOB-HANDLE	1	SNA	A	
5.3-5	JC61-00038A	SPRING ETC-GUIDE DEVE	2	SA	D	
5.3-6	JC66-01354A	LEVER-PTB	2	SNA	D	
5.3-7	JC64-00306A	LOCKER-FRONT R	1	SA	A	
5.3-8	JC64-00305A	LOCKER-FRONT L	1	SA	A	
5.3-9	JC61-01050A	BRACKET-P-COVER LOCK	1	SNA	D	
5.3-10	6107-001138	SPRING-ES	2	SA	A	
5.3-11	JC61-01841A	HOLDER-KNOB HANDLE	1	SNA	A	
5.3-12	JC61-01843A	HOLDER-LOCKER FRONT R	1	SNA	A	
5.3-13	JC61-01842A	HOLDER-LOCKER FRONT L	1	SNA	A	
5.3-14	JC63-01290A	COVER-FRONT PATH	1	SNA	A	
5.3-15	JC66-01421A	LEVER-PTB TOP	2	SNA	D	
5.3-16	JC66-01353A	LEVER-COUPLING R	1	SNA	A	
5.3-17	JC66-01352A	LEVER-COUPLING L	1	SNA	A	
5.3-18	6107-001345	SPRING-CS	2	SA	A	
5.3-19	JC68-01905A	LABEL-INSTALL	1	SNA	D	
5.3-20	JC61-01846A	HOLDER-LINK FRONT	2	SNA	A	
5.3-21	JC66-01358A	LINK-SUPPORT	2	SNA	A	
5.3-22	JC66-00835A	SHAFT-HINGE LINK	2	SNA	B	
5.3-23	6003-000196	SCREW-TAPTITE	24	SA	A	
5.3-24	JC97-02894A	MEA-TRAY MP	1	SA	A	

5.4 MP Tray

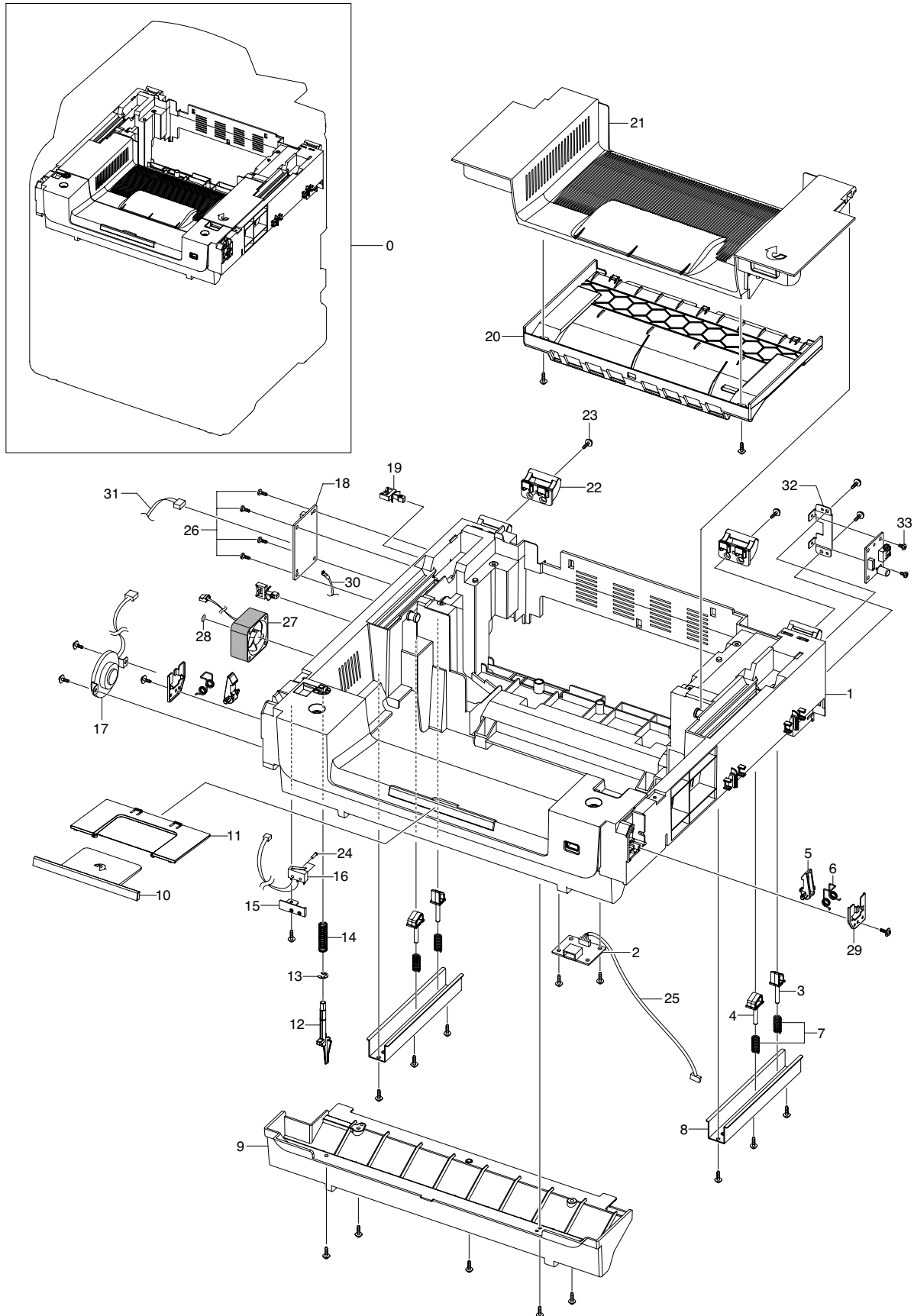


MP Tray Parts List

SA : SERVICE AVAILABLE, SNA : SERVICE not AVAILABLE

Drawer#	SEC_Code	Description	Qt'y	*Service	*Grade	Remark
5.4-0	JC97-02894A	MEA-TRAY MP	1	SA	A	
5.4-1	JC63-01287A	COVER-MP_TRAY	1	SNA	A	
5.4-2	JC63-01293A	TRAY-ASF_INPUT	1	SNA	A	
5.4-3	JC61-01043A	GUIDE-_M_SIDE MP L	1	SNA	A	
5.4-4	JC61-01042A	GUIDE-_M_SIDE MP R	1	SNA	A	
5.4-5	JG66-40003A	GEAR-PINION	1	SA	A	
5.4-6	JC66-01349A	LINK-TRAY_MP_L	1	SNA	A	
5.4-7	JC66-01350A	LINK-TRAY_MP_R	1	SNA	A	
5.4-8	JC64-00369A	BADGE-COLOR	1	SNA	D	

5.5 Middle Cover

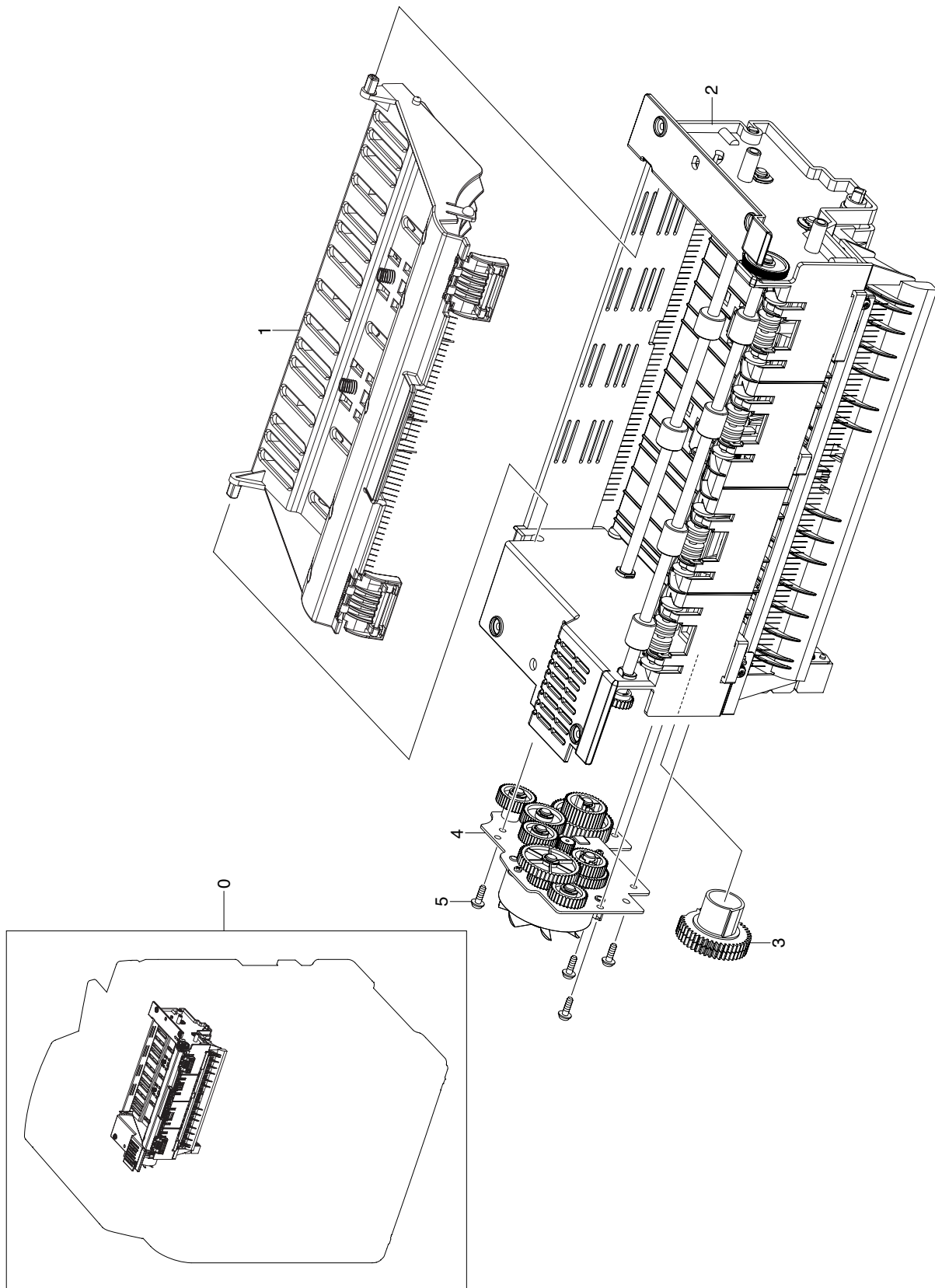


Middle Cover Parts List

SA : SERVICE AVAILABLE, SNA : SERVICE not AVAILABLE

Drawer#	SEC_Code	Description	Qt'y	*Service	*Grade	Remark
5.5-0	JC96-04821A	ELA UNIT-COVER MIDDLE	1	SA	A	
5.5-1	JC63-01543A	COVER-MIDDLE	1	SA	D	
5.5-2	JC92-01964A	PBA-USB HOST	2	SA	B	6240FX
5.5-3	JC66-01616A	LATCH-MIDDLE A	2	SA	D	
5.5-4	JC66-01617A	LATCH-MIDDLE B	2	SA	D	
5.5-5	JC61-01983A	HOLDER-LSU	2	SNA	A	
5.5-6	JC61-02512A	SPRING ETC-LOCKER	2	SA	A	
5.5-7	6107-001194	SPRING-CS	4	SA	B	
5.5-8	JC61-02210A	BRACKET-MID LOCK	2	SNA	D	
5.5-9	JC63-01567A	COVER-LOCKER FRONT	1	SA	D	
5.5-10	JC63-01562A	TRAY-ASF FOLDER	1	SA	D	
5.5-11	JC63-01560A	TRAY-ASF OUTPUT	1	SA	D	
5.5-12	JC66-01623A	ACTUATOR-SW_OPEN	1	SA	D	
5.5-13	6044-000231	RING-E	1	SA	A	
5.5-14	6107-001363	SPRING-CS	1	SA	A	
5.5-15	JC61-02222A	BRACKET-SENSOR	1	SNA	D	
5.5-16	JC39-00847A	HARNESS-SCANNER OPEN	1	SA	A	
5.5-17	3001-002207	SPEAKER	1	SA	B	
5.5-18	JC92-01953A	PBA-REVERSE	1	SA	A	
5.5-19	6502-000132	CABLE CLAMP	2	SA	A	
5.5-20	JC63-01550A	COVER-MIDDLE EXIT	1	SA	D	
5.5-21	JC63-01547A	COVER-MIDDLE OPEN	1	SA	D	
5.5-22	JC61-02410A	SUPPORT-MIDDLE	2	SNA	D	
5.5-23	6003-000196	SCREW-TAPTITE	22	SA	A	
5.5-24	6003-000152	SCREW-TAPTITE	2	SA	A	
5.5-25	JC39-00839A	HARNESS-USB HOST	1	SA	A	
5.5-26	6003-000282	SCREW-TAPTITE	6	SA	A	
5.5-27	JC31-00050A	FAN	1	SA	D	
5.5-28	JC68-01760A	LABEL-INFORMATION	1	SNA	B	
5.5-29	JC61-02213A	BRACKET-LOCKER	1	SNA	D	
5.5-30	JC39-00496A	CBF-HARNESS LSU GND	1	SA	A	
5.5-31	JC39-00893A	HARNESS-FAN EXTENSION	1	SA	A	
5.5-32	JC61-02576A	BRACKET-EDI	1	SA	D	6240FX
5.5-33	6003-000269	SCREW-TAPTITE	2	SA	A	6240FX

5.6 Reverse Unit

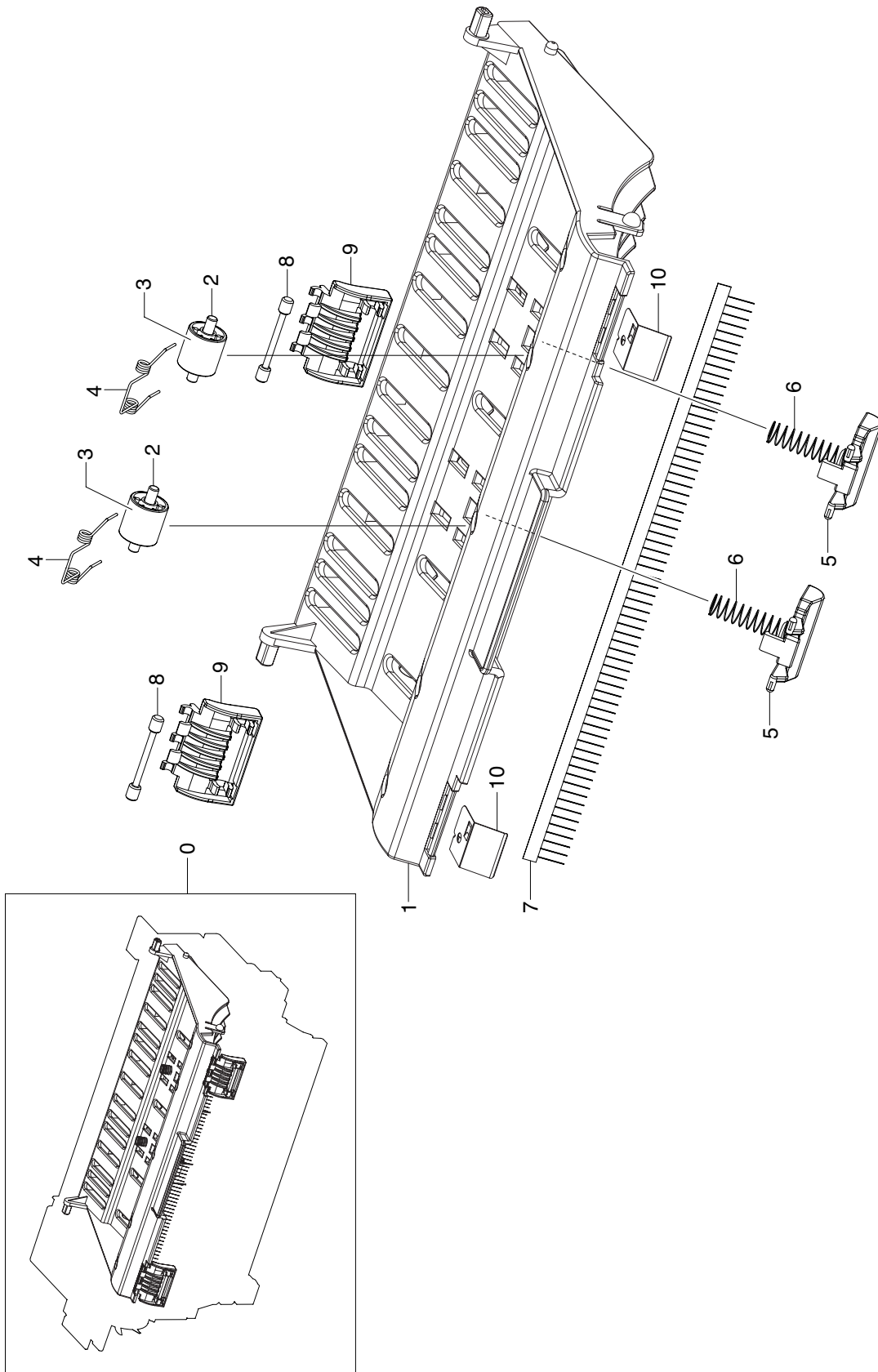


Reverse Unit Parts List

SA : SERVICE AVAILABLE, SNA : SERVICE not AVAILABLE

Drawer#	SEC_Code	Description	Qt'y	*Service	*Grade	Remark
5.6-0	JC96-04800A	ELA UNIT-REVERSE	1	SA	A	
5.6-1	JC97-03056A	MEA UNIT-COVER TOP	1	SNA	A	
5.6-2	JC96-04822A	ELA UNIT-FRAME REV	1	SNA	A	
5.6-3	JC97-03146A	MEA-GEAR REVERSE	1	SA	A	
5.6-4	JC96-04814A	ELA UNIT-MOTOR BRKT	1	SA	A	
5.6-5	6003-000196	SCREW-TAPTITE	4	SA	A	

5.7 Top Cover

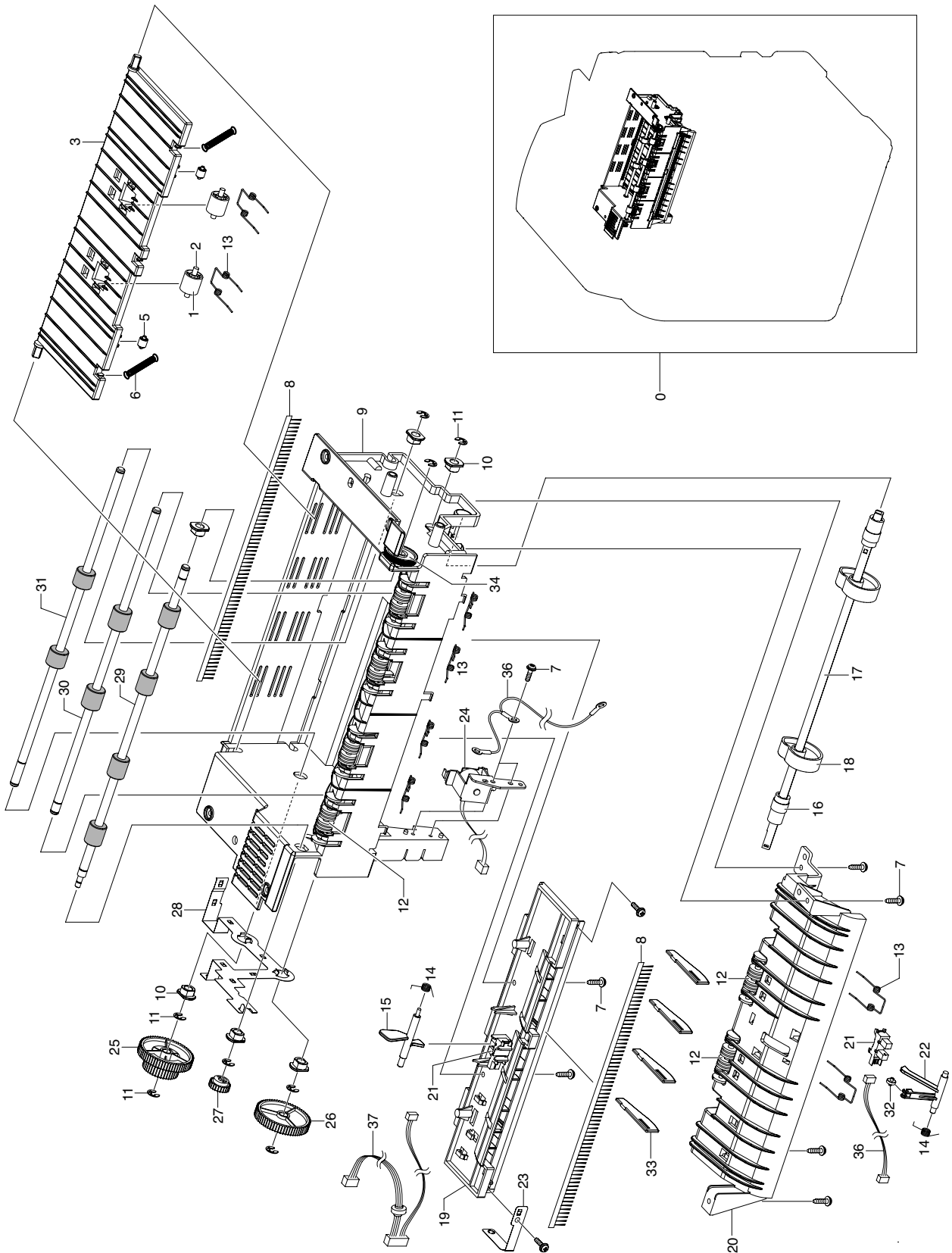


Top Cover Parts List

SA : SERVICE AVAILABLE, SNA : SERVICE not AVAILABLE

Drawer#	SEC_Code	Description	Qt'y	*Service	*Grade	Remark
5.7-0	JC97-03056A	MEA UNIT-COVER TOP	1	SNA	A	
5.7-1	JC63-01542A	COVER-REVERSE TOP	1	SNA	A	
5.7-2	JC66-01833A	SHAFT-REV IDLE	2	SNA	D	
5.7-3	JC66-00529A	ROLLER-M-IDLE FEED	2	SA	A	
5.7-4	JC61-02449A	SPRING ETC-REVERSE	2	SA	D	
5.7-5	JC61-02218A	GUIDE-PAPER REV	2	SNA	A	
5.7-6	JC61-02449A	SPRING ACTUATOR S/W	2	SA	D	
5.7-7	JC75-00095A	MEC-BRUSH ANTISTATIC	1	SA	A	
5.7-8	JC61-00712A	GUIDE-STACKER SUB	2	SA	A	
5.7-9	JC66-00594A	SHAFT-STACKER	2	SA	D	
5.7-10	JC63-01557A	GROUND REV FRONT	1	SNA	D	

5.8 Reverse Frame

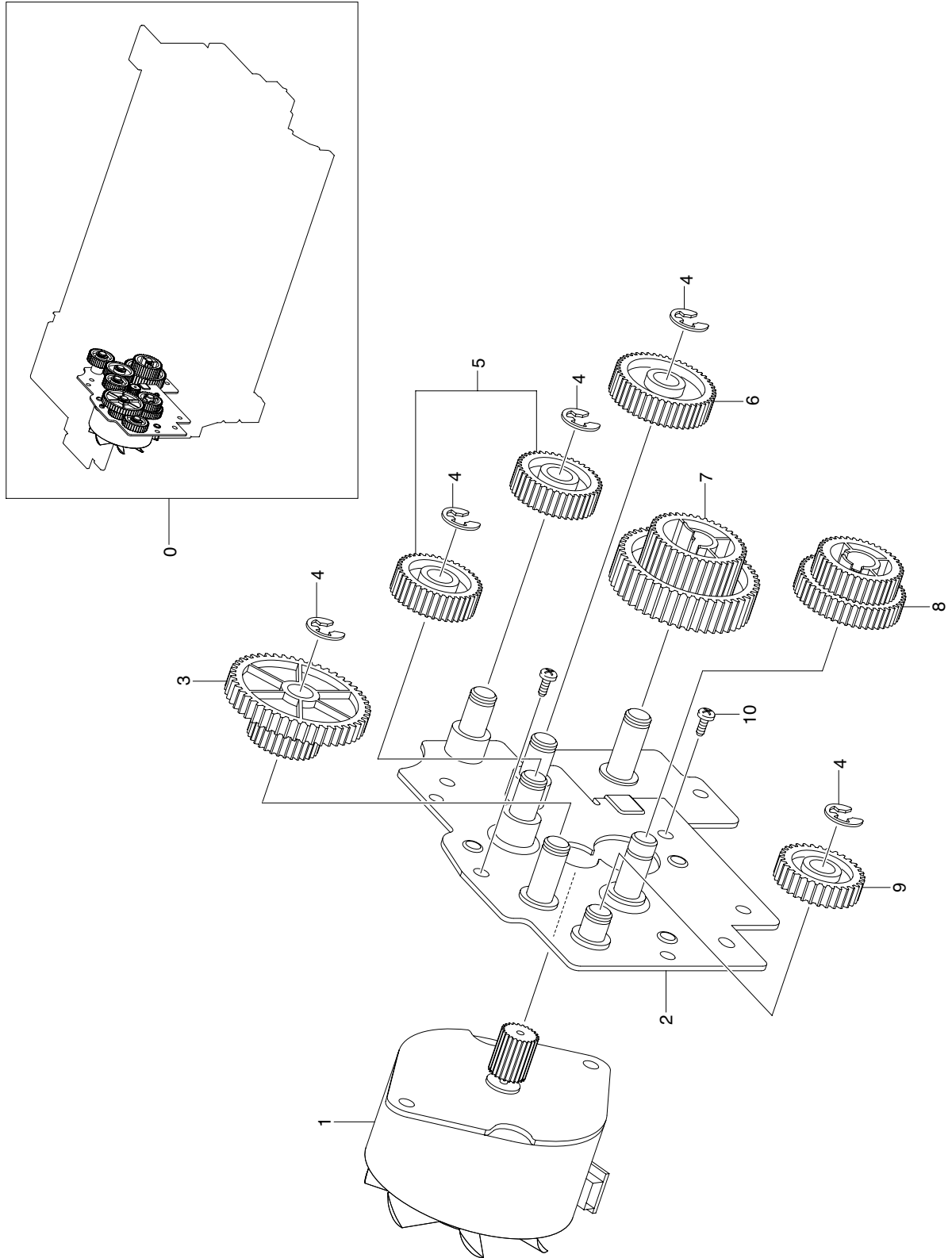


Reverse Frame Parts List

SA : SERVICE AVAILABLE, SNA : SERVICE not AVAILABLE

Drawer#	SEC_Code	Description	Qt'y	*Service	*Grade	Remark
5.8-0	JC96-04822A	ELA UNIT-FRAME REV	1	SNA	A	
5.8-1	JC66-00529A	ROLLER-M-IDLE FEED	2	SA	A	
5.8-2	JC66-01833A	SHAFT-REV IDLE	2	SNA	D	
5.8-3	JC61-02217A	PLATE-REVERSE	1	SNA	A	
5.8-5	JC72-01004A	PMO-IDLE KNOCK UP MP	2	SA	A	
5.8-6	6107-001259	SPRING-ES	2	SA	A	
5.8-7	6003-000196	SCREW-TAPTITE	11	SA	A	
5.8-8	JC75-00095A	MEC-BRUSH ANTISTATIC	2	SA	A	
5.8-9	JC61-02199A	FRAME-REVERSE	1	SNA	A	
5.8-10	JC61-00423A	BUSH-6_D	6	SA	A	
5.8-11	6044-000125	RING-E	5	SA	A	
5.8-12	JC72-41007A	PMO-ROLLER FD F	6	SA	A	
5.8-13	JC61-02449A	SPRING ETC-REVERSE	8	SA	D	
5.8-14	JB61-00076A	SPRING ETC-TORSION DOC (CC2-F)	2	SA	D	
5.8-15	JC66-01621A	ACTUATOR-REV_OUT	1	SNA	A	
5.8-16	JC61-02212A	HOLDER-SHAFT CAM	2	SNA	A	
5.8-17	JC66-01618A	SHAFT-CAM REV	1	SNA	D	
5.8-18	JC66-01620A	CAM-REV	2	SNA	A	
5.8-19	JC63-01556A	COVER-BOTTOM REV	1	SNA	A	
5.8-20	JC63-01561A	COVER-MIDDLE INLET	1	SNA	A	
5.8-21	0604-001095	PHOTO-INTERRUPTER	2	SA	A	
5.8-22	JC66-01622A	ACTUATOR-MIDDLE	1	SNA	A	
5.8-23	JC63-01566A	GROUND-BOTTOM	1	SNA	A	
5.8-24	JC33-00022A	SOLENOID-PICK_UP	1	SA	D	
5.8-25	JC66-01615A	GEAR-REV 65/31	1	SNA	D	
5.8-26	JC66-01631A	GEAR-REV 65	1	SNA	D	
5.8-27	JC66-00810A	GEAR-EXIT_DRV17	1	SA	A	
5.8-28	JC63-01558A	GROUND-REV MAIN	1	SNA	A	
5.8-29	JC66-01836A	ROLLER-EXIT	1	SNA	D	
5.8-30	JC66-01835A	ROLLER-MIDDLE	1	SNA	D	
5.8-31	JC66-01834A	ROLLER-REVERSE	1	SNA	D	
5.8-32	JC66-01829A	ROLLER-ACT MIDDLE	1	SNA	D	
5.8-33	JC61-02510A	GUIDE-BOTTOM REV	4	SNA	A	
5.8-34	JC66-01614A	GEAR-REMOVE	1	SNA	D	
5.8-36	JC39-00840A	REV GND HARNESS	1	SA	A	
5.8-37	JC39-00846A	HARNESS-REV-SWING	1	SA	A	
5.8-38	JC39-00845A	HARNESS-REV MOT EXIT	1	SA	A	

5.9 Reverse Drive

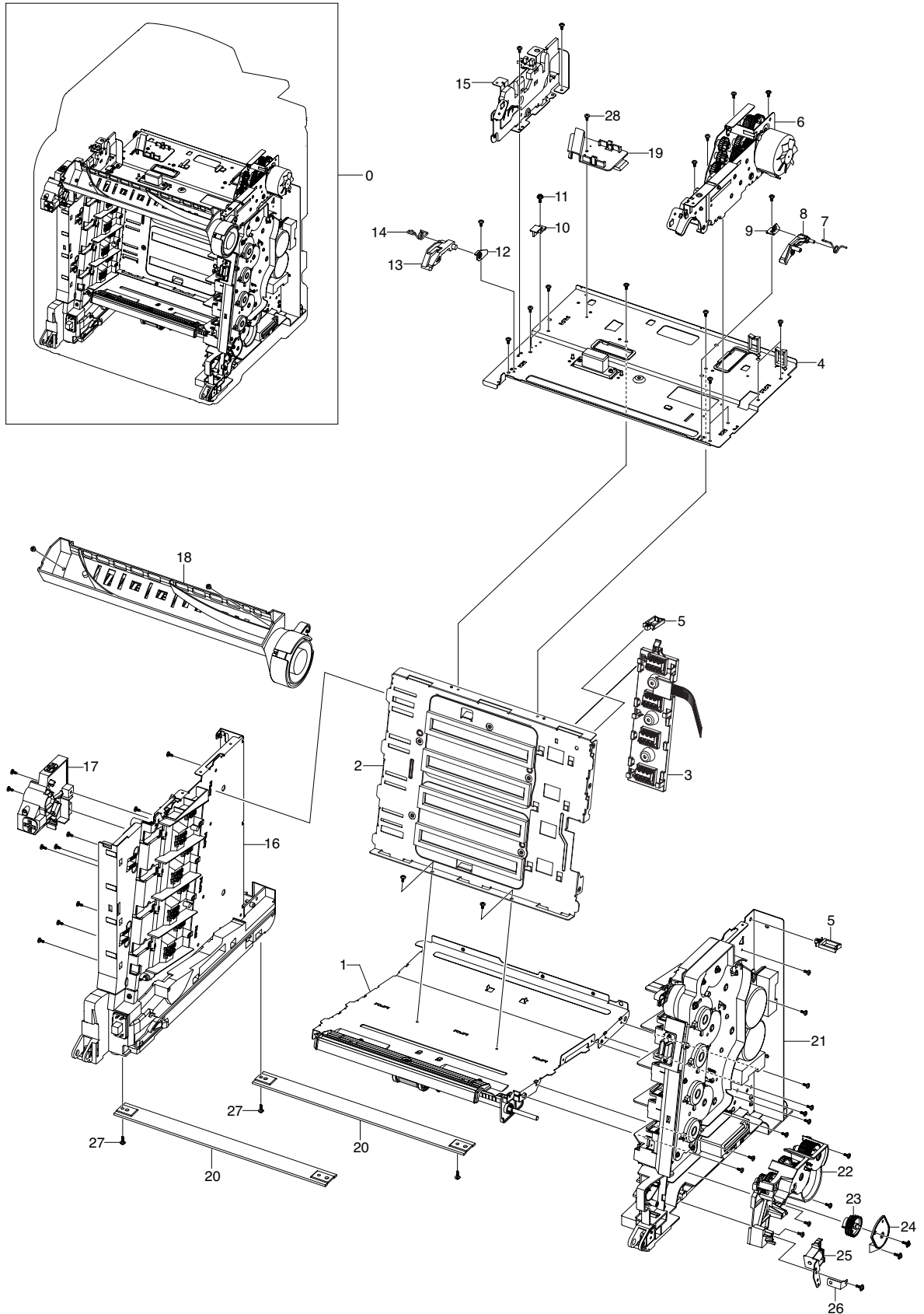


Reverse Drive Parts List

SA : SERVICE AVAILABLE, SNA : SERVICE not AVAILABLE

Drawer#	SEC_Code	Description	Qt'y	*Service	*Grade	Remark
5.9-0	JC96-04814A	ELA UNIT-MOTOR BRKT	1	SA	A	
5.9-1	JC31-00106A	MOTOR STEP	1	SA	A	
5.9-2	JC61-02208A	BRACKET-GEAR REV	1	SNA	A	
5.9-3	JC66-01611A	GEAR-REV 39/19	1	SNA	D	
5.9-4	6044-000125	RING-E	5	SA	A	
5.9-5	JC66-01609A	GEAR-REV 31	2	SNA	D	
5.9-6	JC66-01613A	GEAR-REV 37	1	SNA	D	
5.9-7	JC66-01630A	GEAR-REV 26/39	1	SNA	D	
5.9-8	JC66-01612A	GEAR-REV 39/23	1	SNA	D	
5.9-9	JC66-01610A	GEAR-REV 23	1	SNA	D	
5.9-10	6003-000269	SCREW-TAPTITE	2	SA	A	

5.10 Frame

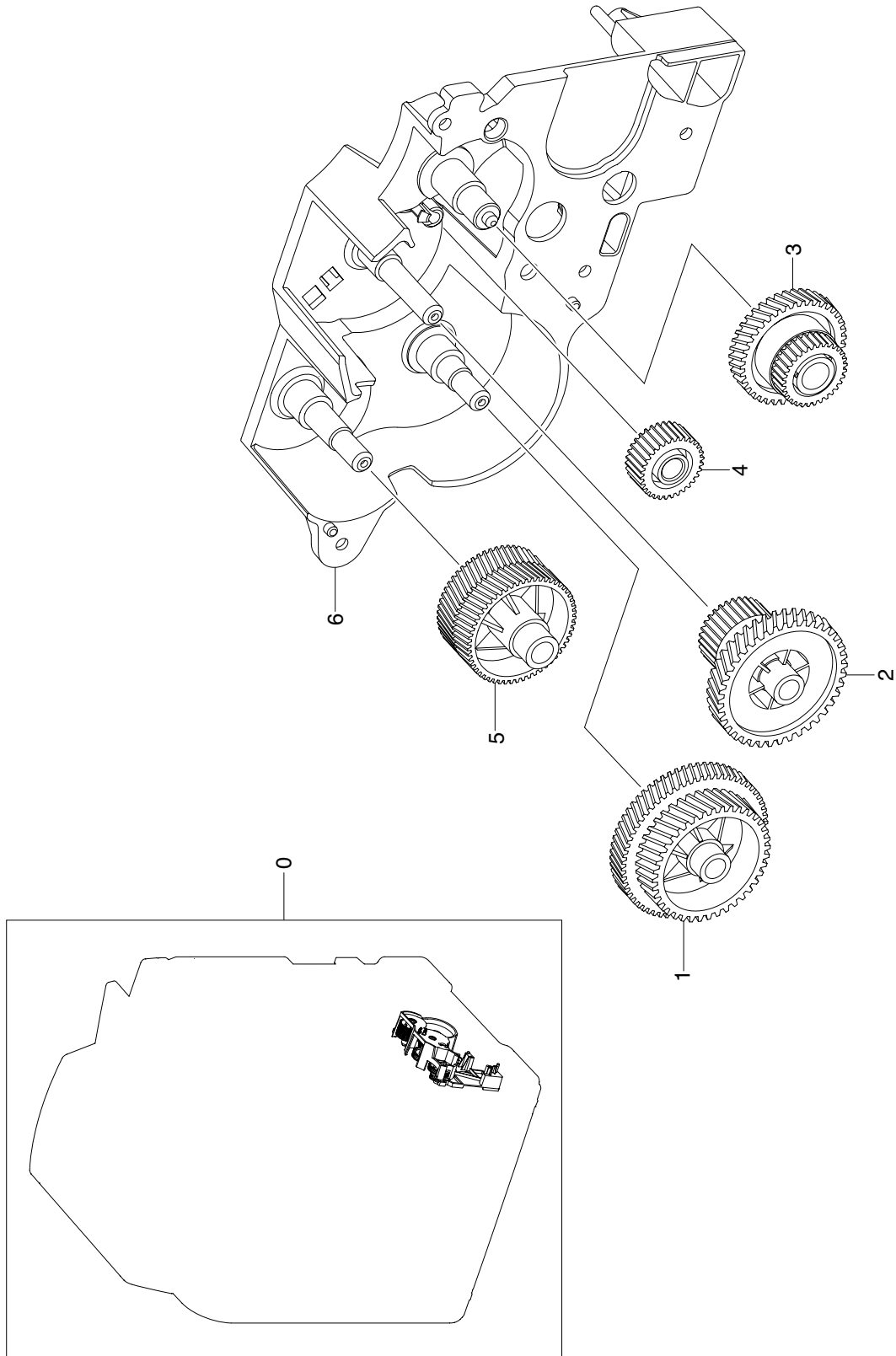


Frame Parts List

SA : SERVICE AVAILABLE, SNA : SERVICE not AVAILABLE

Drawer#	SEC_Code	Description	Qt'y	*Service	*Grade	Remark
5.10-0	JC96-04490A	ELA UNIT-MAIN_FRAME	1	SA	A	CLX-6240
5.10-0	JC96-04490B	ELA UNIT-MAIN_FRAME	1	SA	A	CLX-6200, CLX-6210
5.10-1	JC96-04480A	ELA UNIT-FRAME_BOTTOM	1	SNA	A	
5.10-2	JC61-01927A	FRAME-LSU	1	SNA	D	
5.10-3	JC96-04488A	ELA UNIT-DEVE_CRUM	1	SA	A	
5.10-4	JC96-04479A	ELA UNIT-FRAME_TOP	1	SNA	A	CLX-6200ND
5.10-4	JC96-04479B	ELA UNIT-FRAME_TOP	1	SNA	A	CLX-6200FX
5.10-5	JC61-00423A	BUSH-6_D	1	SA	A	
5.10-6	JC96-04501A	ELA UNIT-FUSER DRIVE	1	SA	A	
5.10-7	JC61-01879A	SPRING ETC-LOCK_PTB_R	1	SA	D	
5.10-8	JC64-00303A	LOCKER-PTB_R	1	SA	D	
5.10-9	JC61-01869A	BRACKET-LOCKER_PTB_R	1	SNA	D	
5.10-10	JC66-01300A	LEVER-FUSER FRAME	1	SNA	D	
5.10-11	6009-001492	SCREW-HEX	1	SNA	B	
5.10-12	JC61-01855A	BRACKET-LOCKER_PTB_L	1	SNA	D	
5.10-13	JC64-00304A	LOCKER-PTB_L	1	SA	D	
5.10-14	JC61-01899A	SPRING ETC-LOCK_PTB_L	1	SA	D	
5.10-15	JC96-04481A	ELA UNIT-OPE_LEFT	1	SA	A	
5.10-16	JC96-04482A	ELA UNIT-FRAME_LEFT	1	SNA	A	
5.10-17	JC97-02883A	MEA UNIT-COVER_OPEN	1	SA	A	
5.10-18	JC96-04487A	ELA UNIT-DUCT_FUSER	1	SA	A	
5.10-19	JC61-01890A	GUIDE-HARNESS_CABLE	1	SNA	D	
5.10-20	JC71-00042A	BAR-P_CROSS BOTTOM	2	SA	A	
5.10-21	JC96-04485A	ELA UNIT-FRAME_RIGHT	1	SNA	A	
5.10-22	JC97-02854A	MEA UNIT-FEED DRIVE	1	SNA	A	
5.10-23	JC97-02895A	MEA-GEAR PICK UP	1	SA	A	
5.10-24	JC67-00215A	CAP-MAIN PICK-UP GEAR	1	SNA	D	
5.10-25	JC33-00022A	SOLENOID-PICK_UP	1	SA	D	
5.10-26	JC61-01922A	PLATE-GND-SOLENOID	1	SNA	D	
5.10-27	6003-000196	SCREW-TAPTITE	7	SA	A	
5.10-28	6003-000269	SCREW-TAPTITE	49	SA	A	
5.10-29	JC72-01379A	SPONEGE-SEALING_LSU	4	SNA	D	

5.11 Feed Drive

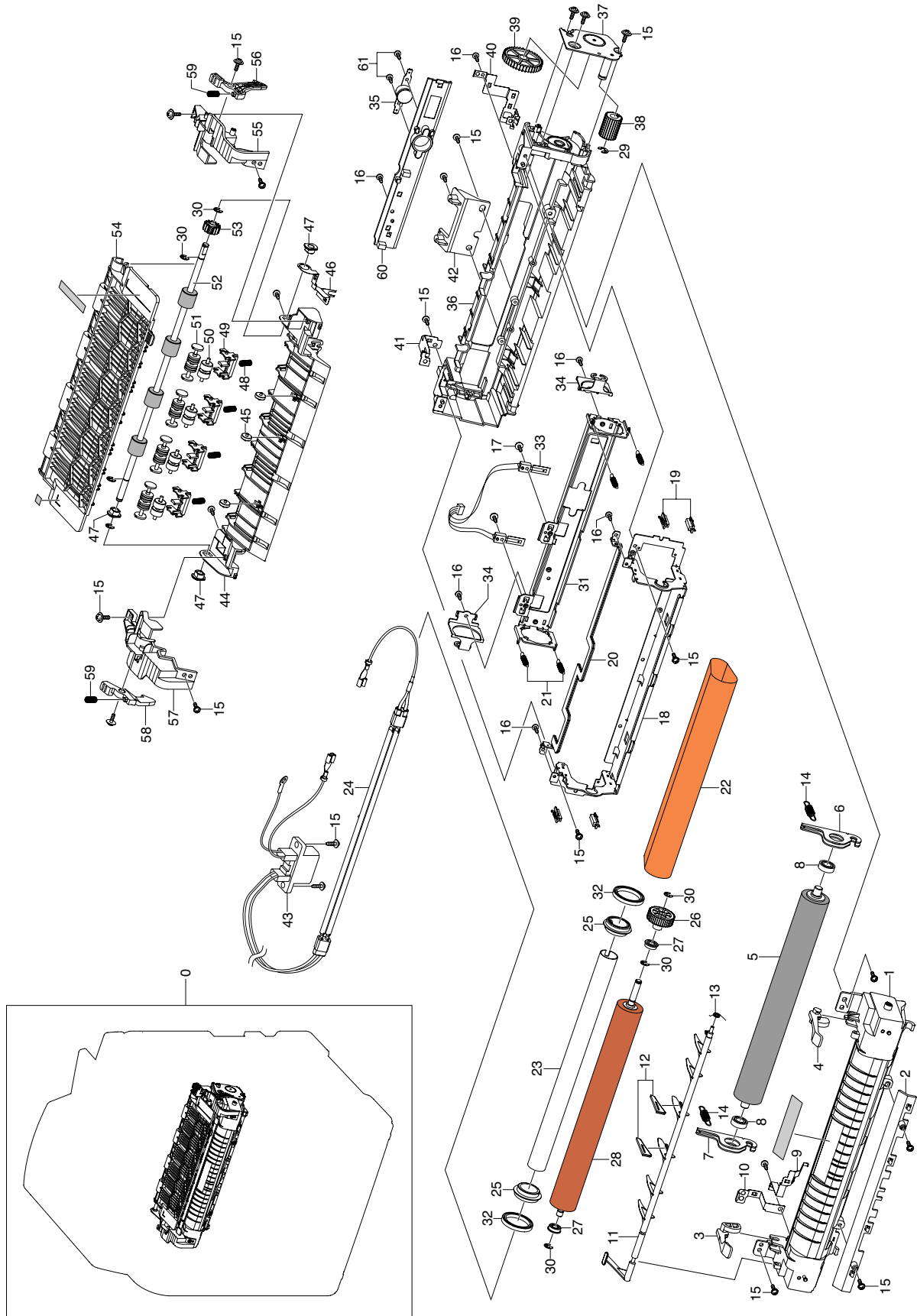


Feed Drive Parts List

SA : SERVICE AVAILABLE, SNA : SERVICE not AVAILABLE

Drawer#	SEC_Code	Description	Qt'y	*Service	*Grade	Remark
5.11-0	JC97-02854A	MEA UNIT-FEED DRIVE	1	SNA	A	
5.11-1	JC66-01385A	GEAR-RDCN FEED(79/39)	1	SNA	D	
5.11-2	JC66-01383A	GEAR-RDCN FEED(43/23)	1	SNA	D	
5.11-3	JC66-01382A	GEAR-RDCN FEED(35/22)	1	SNA	D	
5.11-4	JC66-01363A	GEAR-DRV MAIN PICK-UP	1	SNA	D	
5.11-5	JC66-01384A	GEAR-RDCN FEED(55/54)	1	SNA	D	
5.11-6	JC61-01835A	BRACKET-FEED DRIVE	1	SNA	D	

5.12 Fuser Unit



Fuser Unit Parts List

SA : SERVICE AVAILABLE, SNA : SERVICE not AVAILABLE

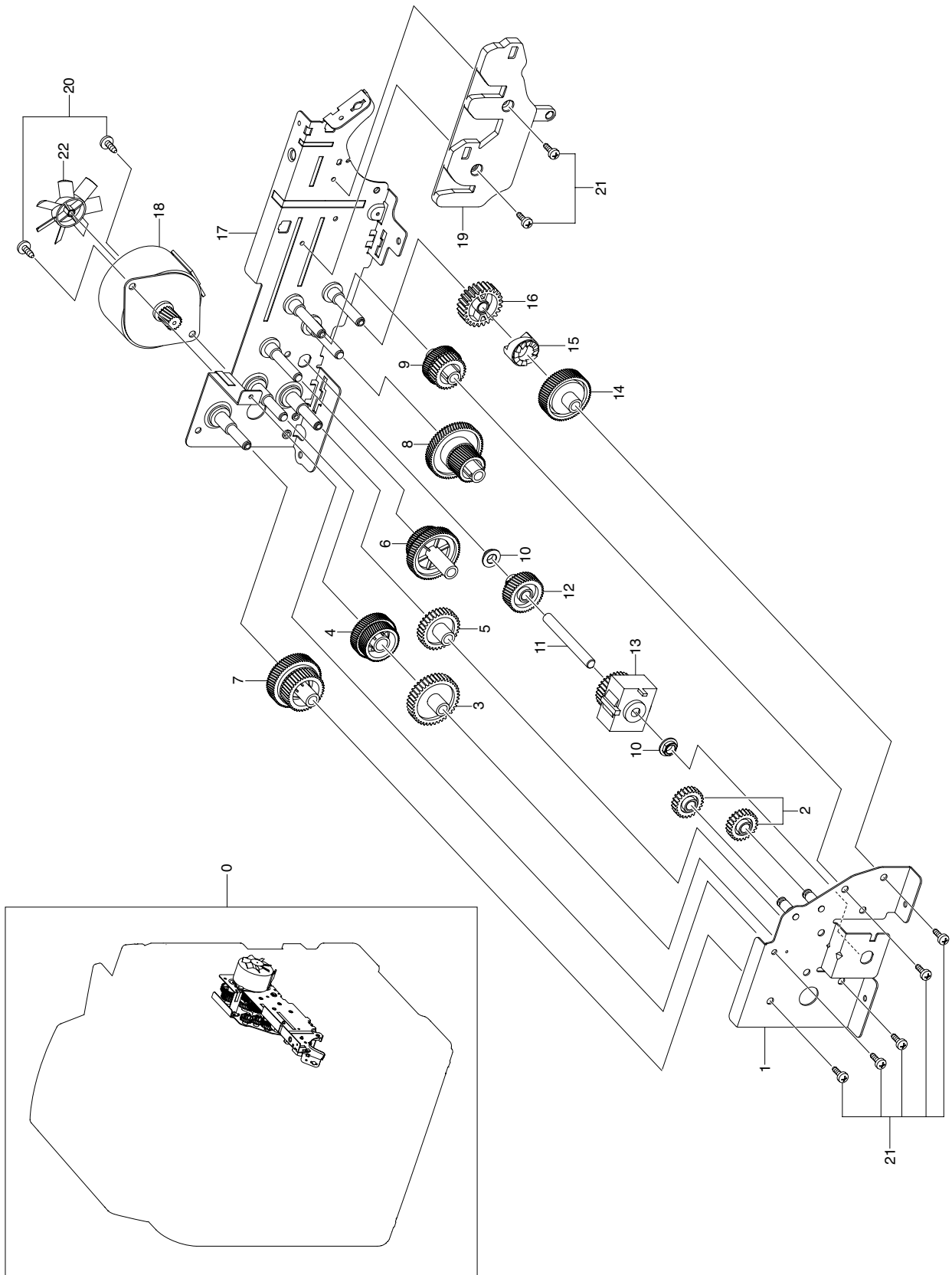
Drawer#	SEC_Code	Description	Qt'y	*Service	*Grade	Remark
5.12-0	JC96-04495A	ELA UNIT-FUSER LV,CLP-660	1	SA	A	110V
5.12-0	JC96-04496A	ELA UNIT-FUSER HV,CLP-660	1	SA	A	220V
5.12-0	JC96-04544A	ELA UNIT-FUSER LV,CLP-610	1	SA	A	110V
5.12-0	JC96-04545A	ELA UNIT-FUSER HV,CLP-610	1	SA	A	220V
5.12-1	JC63-01312A	COVER-FUSER_LOWER	1	SNA	D	
5.12-2	JC61-01933A	GUIDE-INPUT	1	SNA	D	
5.12-3	JC66-01417A	LEVER-JAM_L	1	SNA	D	
5.12-4	JC66-01416A	LEVER-JAM_R	1	SNA	D	
5.12-5	JC66-01412A	ROLLER-PRESSURE	1	SA	A	
5.12-6	JC61-01917A	BRACKET-PR_R	1	SNA	D	
5.12-7	JC61-01916A	BRACKET-PR_L	1	SNA	D	
5.12-8	6601-001341	BEARING-BALL	2	SA	A	
5.12-9	JC63-01308A	GROUND-PR	1	SNA	D	
5.12-10	JC63-01335A	GROUND-PR_SUB	1	SNA	A	
5.12-11	JC66-01404A	ACTUATOR-FUSER	1	SA	D	
5.12-12	JC61-01938A	GUIDE-ACTUATOR	2	SNA	D	
5.12-13	JC61-70903A	SPRING ETC-ACTUATOR	1	SA	A	
5.12-14	6107-001323	SPRING-ES	2	SA	D	
5.12-15	6003-000196	SCREW-TAPTITE	23	SA	A	
5.12-16	6003-000269	SCREW-TAPTITE	6	SA	A	
5.12-17	6009-001492	SCREW-HEX	2	SNA	B	
5.12-18	JC61-01915A	BRACKET-FUSER	1	SNA	D	
5.12-19	JC61-01931A	HOLDER-BRACKET	4	SNA	A	
5.12-20	JC61-01921A	SUPPORT-BRACKET	1	SNA	D	
5.12-21	6107-001324	SPRING-ES	4	SA	A	
5.12-22	JC66-01413A	DRUM-FUSER_BELT	1	SA	D	
5.12-23	JC66-01411A	ROLLER-HEAT	1	SA	A	
5.12-24	4713-001221	LAMP-HALOGEN,CLP-660	1	SA	A	220V
5.12-24	4713-001222	LAMP-HALOGEN,CLP-660	1	SA	A	110V
5.12-24	4713-001229	LAMP-HALOGEN,CLP-610	1	SA	A	220V
5.12-24	4713-001228	LAMP-HALOGEN,CLP-610	1	SA	A	110V
5.12-25	JC61-01928A	BUSH-HR	2	SNA	A	
5.12-26	JC66-01405A	GEAR-FUSER	1	SA	D	
5.12-27	6601-001478	BEARING-BALL	2	SNA	B	
5.12-28	JC66-01410A	ROLLER-FUSER	1	SA	A	
5.12-29	6044-000231	RING-E	1	SA	A	
5.12-30	6044-000125	RING-E	7	SA	A	
5.12-31	JC61-01918A	BRACKET-HR	1	SNA	D	
5.12-32	6601-001479	BEARING-BALL	2	SNA	A	
5.12-33	1404-001355	THERMISTOR-NTC ASSY	1	SA	A	
5.12-34	JC61-01920A	HOLDER-LAMP	2	SNA	A	
5.12-35	4712-001039	THERMOSTAT	1	SA	B	
5.12-36	JC63-01311A	COVER-FUSER_UPPER	1	SNA	D	

Fuser Unit Parts List

SA : SERVICE AVAILABLE, SNA : SERVICE not AVAILABLE

Drawer#	SEC_Code	Description	Qt'y	*Service	*Grade	Remark
5.12-37	JC61-01919A	BRACKET-FU_DRIVE	1	SA	D	
5.12-38	JC66-01406A	GEAR-IDLE Z15	1	SA	D	
5.12-39	JC66-01407A	GEAR-IDLE Z39	1	SA	D	
5.12-40	JC63-01309A	GROUND-UPPER	1	SNA	D	
5.12-41	JC63-01307A	GROUND-LOWER	1	SNA	D	
5.12-42	JC61-01929A	HOLDER-CONNECTOR	1	SNA	D	
5.12-43	JC39-00667A	HARNESS-FUSER DRAW_F,CLP-660	1	SNA	A	220V
5.12-43	JC39-00668A	HARNESS-FUSER DRAW_F,CLP-660	1	SNA	A	110V
5.12-43	JC39-00768A	HARNESS-FUSER DRAW_F,CLP-610	1	SNA	A	220V
5.12-43		HARNESS-FUSER DRAW_F,CLP-610	1	SNA	A	110V
5.12-44	JC61-01934A	GUIDE-OUTPUT	1	SNA	D	
5.12-45	JC66-00608A	ROLLER-EXIT IDLE	3	SNA	D	
5.12-46	JC63-01310A	GROUND-EXIT	1	SNA	D	
5.12-47	JC61-00423A	BUSH-6_D	3	SA	A	
5.12-48	JC61-70911A	SPRING ETC-EXIT ROLL FD	4	SA	A	
5.12-49	JC61-00547A	HOLDER-EXIT(MC)	4	SNA	A	
5.12-50	JC66-01233A	ROLLER-FD R	4	SNA	B	
5.12-51	JC72-41007A	PMO-ROLLER FD F	4	SA	A	
5.12-52	JC66-01415A	ROLLER-EXIT	1	SA	A	
5.12-53	JC66-00782A	GEAR-_M_EXIT	1	SA	D	
5.12-54	JC61-01935A	GUIDE-DUPLEX	1	SA	D	
5.12-55	JC64-00311A	HANDLE-FUSER_R	1	SNA	D	
5.12-56	JC64-00309A	LOCKER-FUSER_R	1	SNA	D	
5.12-57	JC64-00312A	HANDLE-FUSER_L	1	SNA	D	
5.12-58	JC64-00310A	LOCKER-FUSER_L	1	SNA	D	
5.12-59	JC61-00550A	SPRING ETC-DEVE REAR	2	SA	D	
5.12-60	JC61-01930A	HOLDER-HARNESS	1	SNA	D	
5.12-61	6003-000282	SCREW-TAPTITE	2	SA	A	
5.12-62	JC63-00903A	FELT-CLEAN TONER	2	SNA	A	

5.13 Fuser Drive

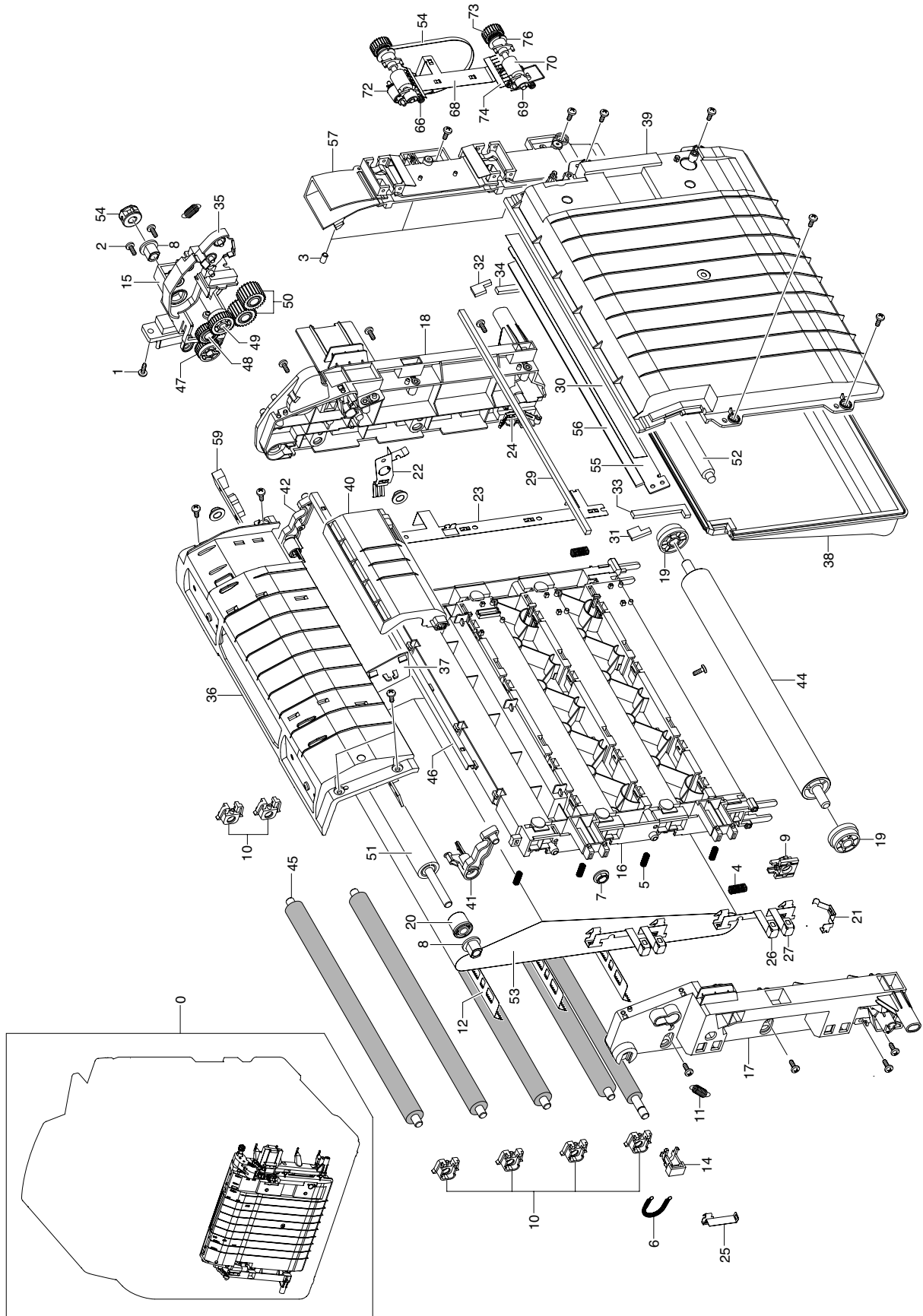


Fuser Drive Parts List

SA : SERVICE AVAILABLE, SNA : SERVICE not AVAILABLE

Drawer#	SEC_Code	Description	Qt'y	*Service	*Grade	Remark
5.13-0	JC96-04501A	ELA UNIT-FUSER DRIVE	1	SA	A	
5.13-1	JC61-01859A	BRACKET-FUSER DRIVE L	1	SNA	D	
5.13-2	JC66-01371A	GEAR-IDLE EXIT	2	SNA	D	
5.13-3	JC66-01393A	GEAR-IDLE DEVE	1	SNA	D	
5.13-4	JC66-01392A	GEAR-RDCN FU	1	SNA	D	
5.13-5	JC66-01368A	GEAR-IDLE DEVE	1	SNA	D	
5.13-6	JC66-01386A	GEAR-RDCN FU	1	SNA	D	
5.13-7	JC66-01387A	GEAR-RDCN FU	1	SNA	D	
5.13-8	JC66-01388A	GEAR-RDCN FU	1	SNA	D	
5.13-9	JC66-01381A	GEAR-RDCN EXIT	1	SNA	D	
5.13-10	JC61-00699A	BUSH-D6/L4	2	SA	A	
5.13-11	JC66-01341A	SHAFT-CLUTCH FU	1	SNA	D	
5.13-12	JC66-01366A	GEAR-IDLE DEVE	1	SNA	D	
5.13-13	JC47-00006D	CLUTCH-BK DEVE	1	SNA	A	
5.13-14	JC66-01362A	GEAR-DRV FU	1	SNA	D	
5.13-15	JC66-01070A	LATCH-M-HUB CLUTCH	1	SNA	A	
5.13-16	JC66-01155A	GEAR-FUSER RDCN OUT V	1	SNA	A	
5.13-17	JC61-01860A	BRACKET-FUSER DRIVE R	1	SNA	A	
5.13-18	JC31-00076A	MOTOR STEP	1	SA	D	
5.13-19	JC61-01851A	GUIDE-FUSER R	1	SNA	D	
5.13-20	6003-000301	SCREW-TAPTITE	2	SNA	F	
5.13-21	6003-000269	SCREW-TAPTITE	7	SA	A	
5.13-22	JC72-00825A	PMO-IMPELLER_DRV	1	SA	A	

5.14 PTB



PTB Parts List

SA : SERVICE AVAILABLE, SNA : SERVICE not AVAILABLE

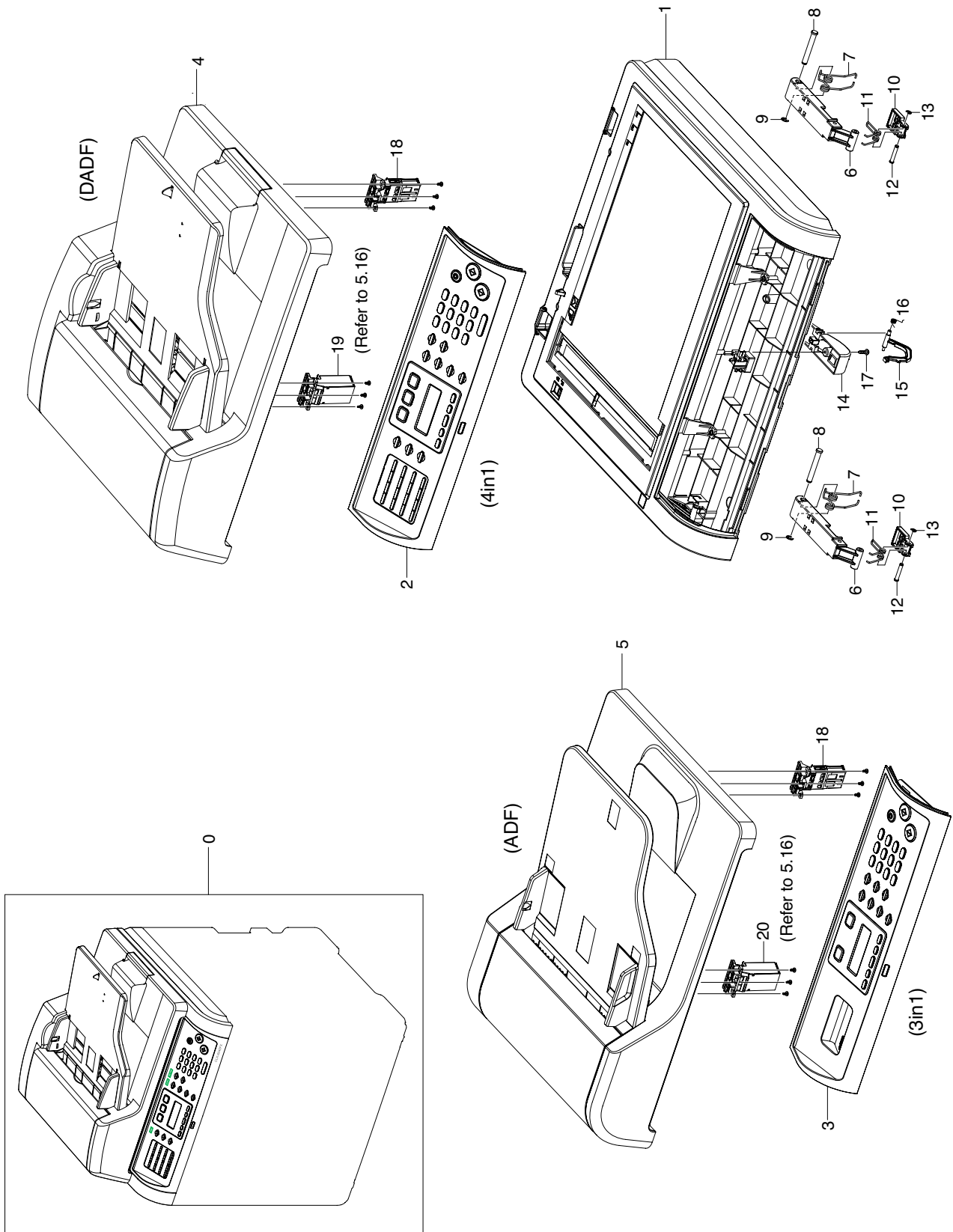
Drawer#	SEC_Code	Description	Qt'y	*Service	*Grade	Remark
5.14-0	JC96-04406A	ELA UNIT-PTB SET_DUPLEX	1	SNA	A	
5.14-1	6003-000196	SCREW-TAPTITE	7	SA	A	
5.14-2	6003-000282	SCREW-TAPTITE	19	SA	A	
5.14-3	6043-001097	PIN-SPRING	2	SNA	D	
5.14-4	6107-001364	SPRING-CS	2	SNA	A	
5.14-5	6107-001365	SPRING-CS	8	SNA	A	
5.14-6	6107-001316	SPRING-ES	2	SNA	D	
5.14-7	JC61-00699A	BUSH-D6/L4	3	SA	A	
5.14-8	JC61-00884A	BUSH-6_D(L)	2	SNA	A	
5.14-9	JC61-01092A	HOLDER-M-TENSION	2	SNA	D	
5.14-10	JC61-01093A	HOLDER-M-TRANSFER	8	SNA	B	
5.14-11	JC61-01678A	SPRING ETC-DEV_FRONT	2	SA	A	
5.14-12	JC61-01754A	PLATE-SAW FUSER	3	SNA	D	
5.14-13	JC61-01820A	HOLDER-PAPER C,L	1	SNA	D	
5.14-14	JC61-01821A	HOLDER-PAPER C,R	1	SNA	D	
5.14-15	JC61-01822A	HOLDER-DRAW	1	SNA	D	
5.14-16	JC61-01823A	FRAME-PTB	1	SNA	D	
5.14-17	JC61-01824A	FRAME-DUMMY,L	1	SNA	D	
5.14-18	JC61-01825A	FRAME-DUMMY,R	1	SNA	D	
5.14-19	JC61-01826A	GUIDE-BELT	1	SNA	D	
5.14-20	JC61-01827A	GUIDE-DRIVE	2	SNA	D	
5.14-21	JC61-01828A	PLATE-DUMMY TENSION	1	SNA	D	
5.14-22	JC61-01829A	PLATE-GROUND BACKUP	1	SNA	D	
5.14-23	JC61-01830A	PLATE-GROUND PTB	1	SNA	D	
5.14-24	JC61-01831A	PLATE-GROUND TENSION	1	SNA	D	
5.14-25	JC61-01832A	PLATE-HV PCR	1	SNA	D	
5.14-26	JC61-01833A	PLATE-HV TR_M	2	SNA	D	
5.14-27	JC61-01834A	PLATE-HV TR_Y	2	SNA	D	
5.14-28	JC61-02179A	PLATE-GND RESISTANCE	1	SNA	D	
5.14-29	JC62-00163A	SEAL-WASTE BOTTOM	1	SNA	D	
5.14-30	JC62-00166A	SEAL-WASTE FILM	1	SNA	D	
5.14-31	JC62-00355A	SEAL-BLADE PTB,L	1	SNA	D	
5.14-32	JC62-00356A	SEAL-BLADE PTB,R	1	SNA	D	
5.14-33	JC62-00357A	SEAL-BRKT PTB,L	1	SNA	D	
5.14-34	JC62-00358A	SEAL-BRKT PTB,R	1	SNA	D	
5.14-35	JC63-01267A	COVER-DUPLEX GEAR	1	SNA	D	
5.14-36	JC63-01268A	COVER-UPPER PTB	1	SNA	D	
5.14-37	JC63-01269A	COVER-HANDLE INNER	1	SNA	D	
5.14-38	JC63-01270A	COVER-WASTE TONER,L	1	SNA	D	
5.14-39	JC63-01271A	COVER-WASTE TONER,U	1	SNA	D	
5.14-40	JC64-00296A	HANDLE-LOCKER PTB	1	SNA	D	
5.14-41	JC64-00297A	LOCKER-PTB,L	1	SNA	D	
5.14-42	JC64-00298A	LOCKER-PTB,R	1	SNA	D	

PTB Parts List

SA : SERVICE AVAILABLE, SNA : SERVICE not AVAILABLE

Drawer#	SEC_Code	Description	Qt'y	*Service	*Grade	Remark
5.14-43	JC66-00918A	ROLLER-PAPER CHARGE	1	SNA	B	
5.14-44	JC66-00920A	ROLLER-TENSION,PTB	1	SNA	B	
5.14-45	JC66-00922B	ROLLER-TRANSFER	4	SNA	A	
5.14-46	JC66-01089A	SHAFT-P-LOCKBAR REAR	1	SNA	B	
5.14-47	JC66-01322A	GEAR-DUPDRIVE Z34	1	SNA	D	
5.14-48	JC66-01323A	GEAR-DUPIDLE Z33	1	SNA	D	
5.14-49	JC66-01324A	GEAR-DUPRDCN Z2923	1	SNA	D	
5.14-50	JC66-01325A	GEAR-DUPIDLE Z21	2	SNA	D	
5.14-51	JC66-01331A	ROLLER-DRIVE PTB	1	SNA	D	
5.14-52	JC66-01332A	ROLLER-BACKUPCLEAN	1	SNA	D	
5.14-53	JC66-01333A	DRUM-PTB BELT	1	SNA	D	
5.14-54	JC67-00213A	COUPLER-PTB	1	SNA	D	
5.14-55	JC97-02247B	MEA UNIT-CLEANING PTB	1	SNA	D	
5.14-56	JC61-01109A	BRACKET-P-CLN,PTB	1	SNA	D	
5.14-57	JC61-01280B	BLADE-CLEANING PTB	1	SNA	D	
5.14-58	JC92-01868A	PBA SUB-PTB CRUM	1	SNA	A	
5.14-59	JC32-00006A	SENSOR-CTD	2	SNA	D	
5.14-60	JC39-00664A	HARNESS-PTB DRAW_P	1	SNA	A	
5.14-61	JC39-00653A	HARNESS-ACR_SENSOR	1	SNA	A	
5.14-62	2009-001197	R-METAL GLAZE	1	SNA	A	
5.14-63	JC97-02898A	MEA UNIT-DUPLEX	1	SNA	A	
5.14-64	6602-001084	BELT-TIMING GEAR	1	SA	D	
5.14-65	JC61-00665A	BUSH-M-FEED, DUP	4	SA	B	
5.14-66	JC61-01277A	SPRING ETC-DUP	2	SA	A	
5.14-67	JC61-01839A	GUIDE-ALIGN-DUP	1	SNA	D	
5.14-68	JC63-01297A	GROUND-ALIGN_DUP	1	SNA	D	
5.14-69	JC66-00444A	SHAFT-IDLE ROLL, DUP	2	SA	A	
5.14-70	JC66-01923A	ROLLER-IDLE_DUPLEX	2	SNA	A	
5.14-71	JC66-00900A	PULLEY-M-18-DUMMY_DUP	2	SA	A	
5.14-72	JC66-01906A	ROLLER-FEED-DUPLEX	2	SNA	A	
5.14-73	JC66-01400A	GEAR	2	SNA	D	
5.14-74	JC67-00205A	BRUSH-DUPLEX	2	SNA	B	
5.14-75	JC70-00457A	ICT-STUD PAPER GUIDE, DP	3	SA	D	
5.14-76	JK72-00058A	PCT-SILP WASHER	4	SNA	B	

5.15 Scan Ass'y

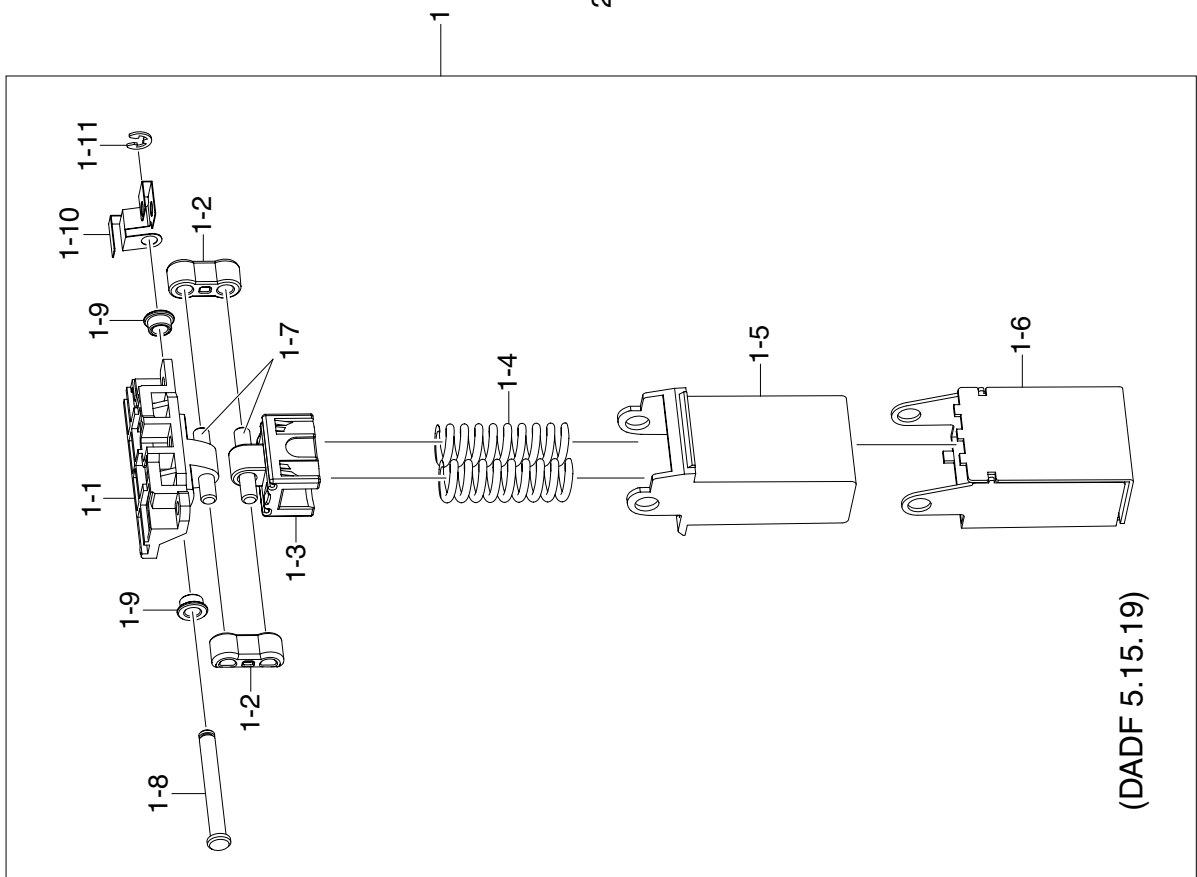
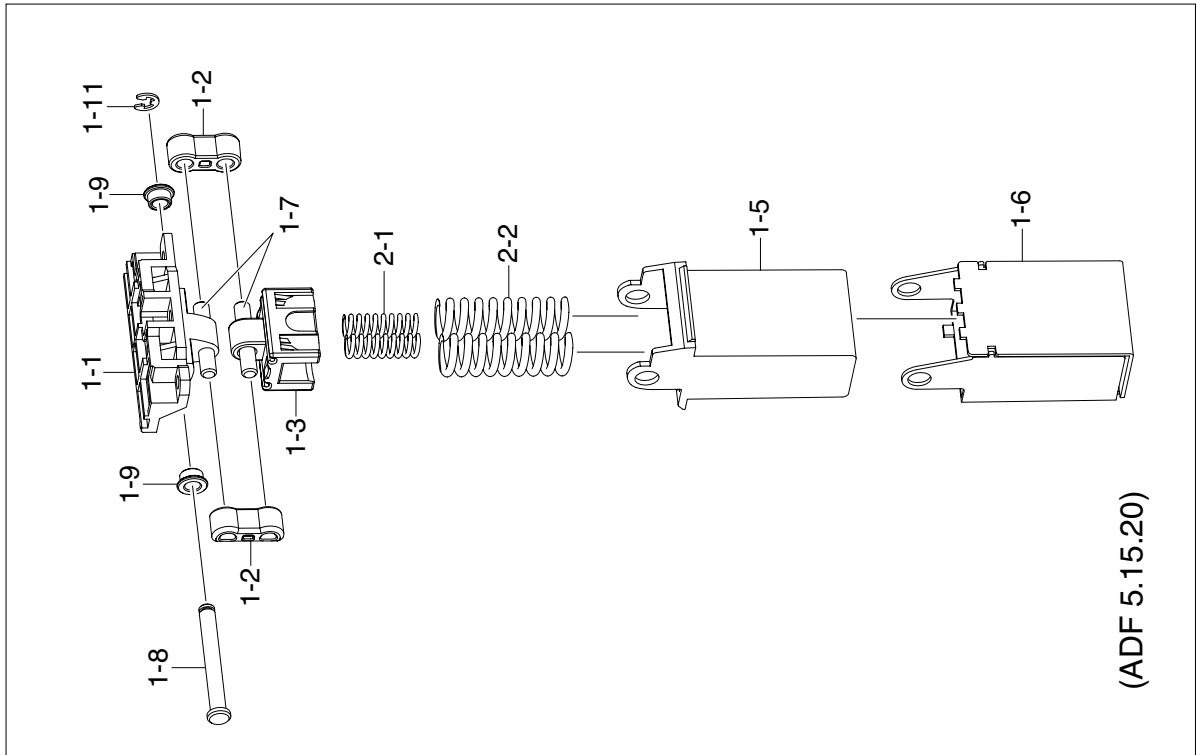


Scan Ass'y Parts List

SA : SERVICE AVAILABLE, SNA : SERVICE not AVAILABLE

Drawer#	SEC_Code	Description	Qt'y	*Service	*Grade	Remark
5.15-0	JC96-04901A	ELA HOU-SCAN	1	SA	A	ADF
5.15-0	JC96-04900A	ELA HOU-SCAN	1	SA	A	DADF
5.15-1	JC96-04793A	ELA HOU-PLATEN	1	SA	A	
5.15-2	JC96-04786A	ELA HOU-OPE	1	SA	A	CLX-6200FX
5.15-3	JC96-04811A	ELA HOU-OPE 3IN1	1	SA	A	
5.15-4	JC96-04790A	ELA HOU-DADF	1	SA	A	
5.15-5	JC96-04792A	ELA HOU-ADF	1	SA	A	
5.15-6	JC61-02214A	SUPPORT-SCAN	2	SNA	D	
5.15-7	JC61-02448A	SPRING ETC-SUPPORT	2	SA	D	
5.15-8	JC66-01830A	SHAFT-HINGE SCAN	2	SNA	D	
5.15-9	6044-000125	RING-E	2	SA	A	
5.15-10	JC61-02491A	SUPPORT-DAMPER	2	SNA	A	
5.15-11	JC61-02511A	SPRING ETC-DAMPER	2	SA	A	
5.15-12	JC66-01907A	SHAFT-DAMPER HINGE	2	SNA	A	
5.15-13	6044-000159	RING-C	2	SA	A	
5.15-14	JC63-01564A	COVER-OUTBIN	1	SNA	D	
5.15-15	JC66-01624A	ACTUATOR-OUT_FULL	1	SNA	D	
5.15-16	JB61-00076A	SPRING ETC-TORSION DOC (CC2-F)	1	SA	D	
5.15-17	6003-000196	SCREW-TAPTITE	1	SA	A	
5.15-18	JC97-02779A	MEA UNIT-HINGE	1	SA	A	
5.15-19	JC97-03038A	MEA UNIT-HINGE_DADF	1	SA	B	DADF
5.15-20	JC97-02997A	MEA UNIT-HINGE	1	SA	D	ADF

5.16 Hinge Unit

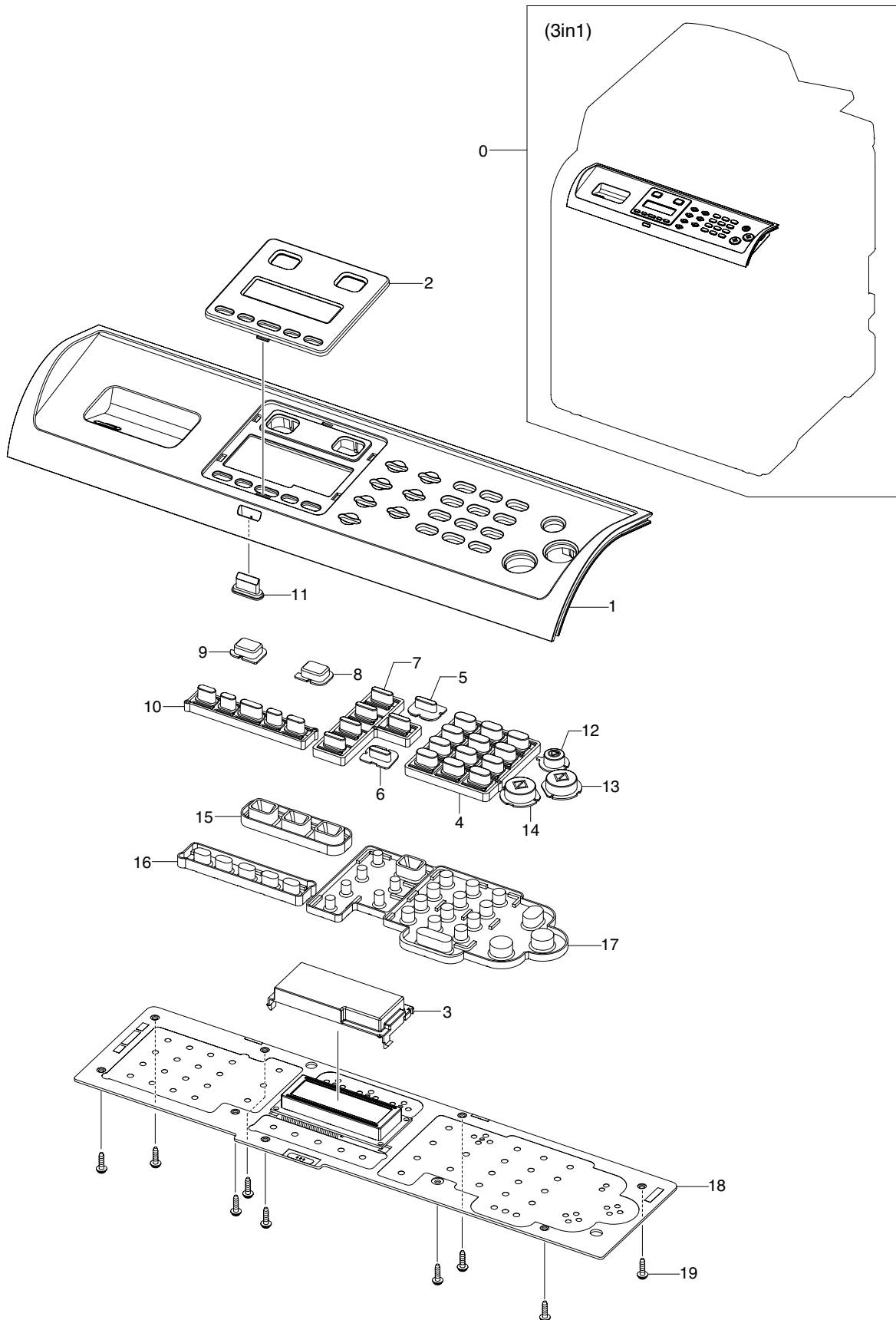


Hinge Unit Parts List

SA : SERVICE AVAILABLE, SNA : SERVICE not AVAILABLE

Drawer#	SEC_Code	Description	Qt'y	*Service	*Grade	Remark
5.16-1	JC97-03038A	MEA UNIT-HINGE_DADF	1	SA	B	DADF
5.16-1-1	JC61-02224A	HINGE-PLATEN	1	SNA	D	
5.16-1-2	JC61-01432A	HINGE-M_LINK L	2	SNA	A	
5.16-1-3	JC61-02223A	HINGE-SLIDER	1	SNA	D	
5.16-1-4	6107-001354	SPRING-CS	2	SNA	D	
5.16-1-5	JC61-02248A	HINGE-SCAN	1	SNA	D	
5.16-1-6	JC61-02183A	HOUSING-HINGE_SCAN	1	SNA	A	
5.16-1-7	JC66-01811A	SHAFT-LINK	2	SNA	B	
5.16-1-8	JC66-01810A	SHAFT-HINGE	1	SNA	B	
5.16-1-9	JC61-01686A	BUSH-4D_FE	2	SA	A	
5.16-1-10	JC63-01568A	GROUND-HINGE	1	SNA	D	
5.16-1-11	6044-000159	RING-C	1	SA	A	
5.16-2	JC97-02997A	MEA UNIT-HINGE	1	SA	D	ADF
5.16-2-1	6107-001380	SPRING-CS	2	SA	A	
5.16-2-2	6107-001366	SPRING-CS	2	SA	D	

5.17 OPE 3in1

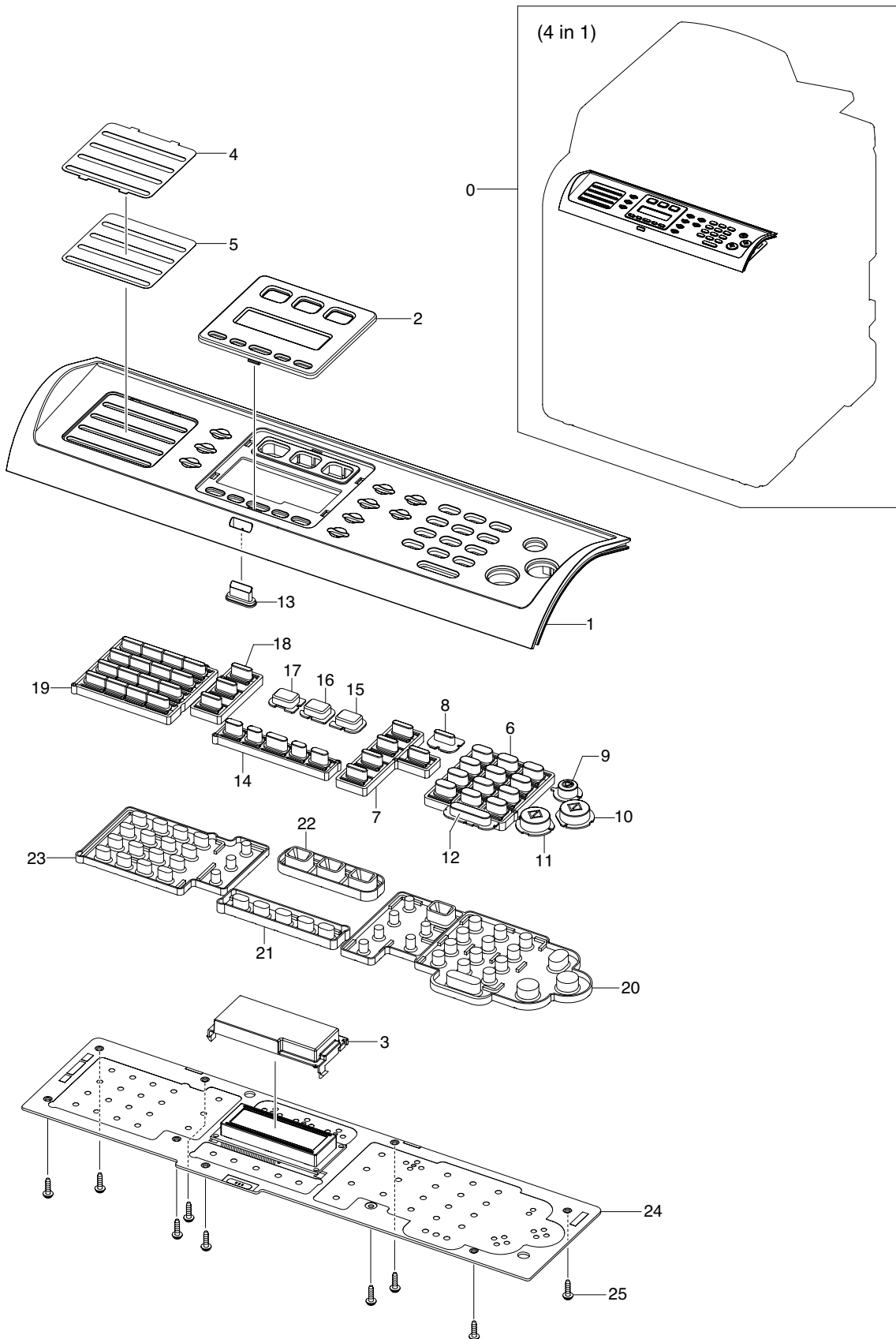


OPE 3in1 Parts List

SA : SERVICE AVAILABLE, SNA : SERVICE not AVAILABLE

Drawer#	SEC_Code	Description	Qt'y	*Service	*Grade	Remark
5.17-0	JC96-04811A	ELA HOU-OPE 3IN1	1	SA	A	CLX-6200ND
5.17-1	JC63-01514A	COVER-OPE_3IN1	1	SA	D	CLX-6200ND
5.17-2	JC63-01513A	COVER-NEVI_3IN1	1	SA	D	CLX-6200ND
5.17-3	JC63-01510A	COVER-LCD	1	SNA	D	
5.17-4	JC64-00239A	KEY-M_TEL	1	SNA	A	
5.17-5	JC64-00244A	KEY-M_BLACK	1	SNA	A	
5.17-6	JC64-00244B	KEY-BLACK	1	SA	D	
5.17-7	JC64-00345A	KEY-COPY	1	SA	D	
5.17-8	JC64-00247A	KEY-M_MODE SCAN	1	SNA	D	
5.17-9	JC64-00245A	KEY-M_MODE COPY	1	SNA	D	
5.17-10	JC64-00248A	KEY-M_MENU	1	SNA	D	
5.17-11	JC67-00265A	LENS LED-STATUS	1	SNA	D	
5.17-12	JC64-00242A	KEY-M_STOP CLEAR	1	SNA	B	
5.17-13	JC64-00259A	KEY-M-START COLOR	1	SNA	D	
5.17-14	JC64-00243A	KEY-M_START BLACK	1	SA	D	CLX-6200ND
5.17-15	JC73-00233A	RUBBER-MODE	1	SNA	A	
5.17-16	JC73-00230A	RUBBER-MENU	1	SNA	A	
5.17-17	JC73-00261A	RUBBER-TEL	1	SA	A	
5.17-18	JC92-01951A	PBA-OPE	1	SA	A	
5.17-19	6003-000196	SCREW-TAPTITE	9	SA	A	

5.18 OPE 4in1

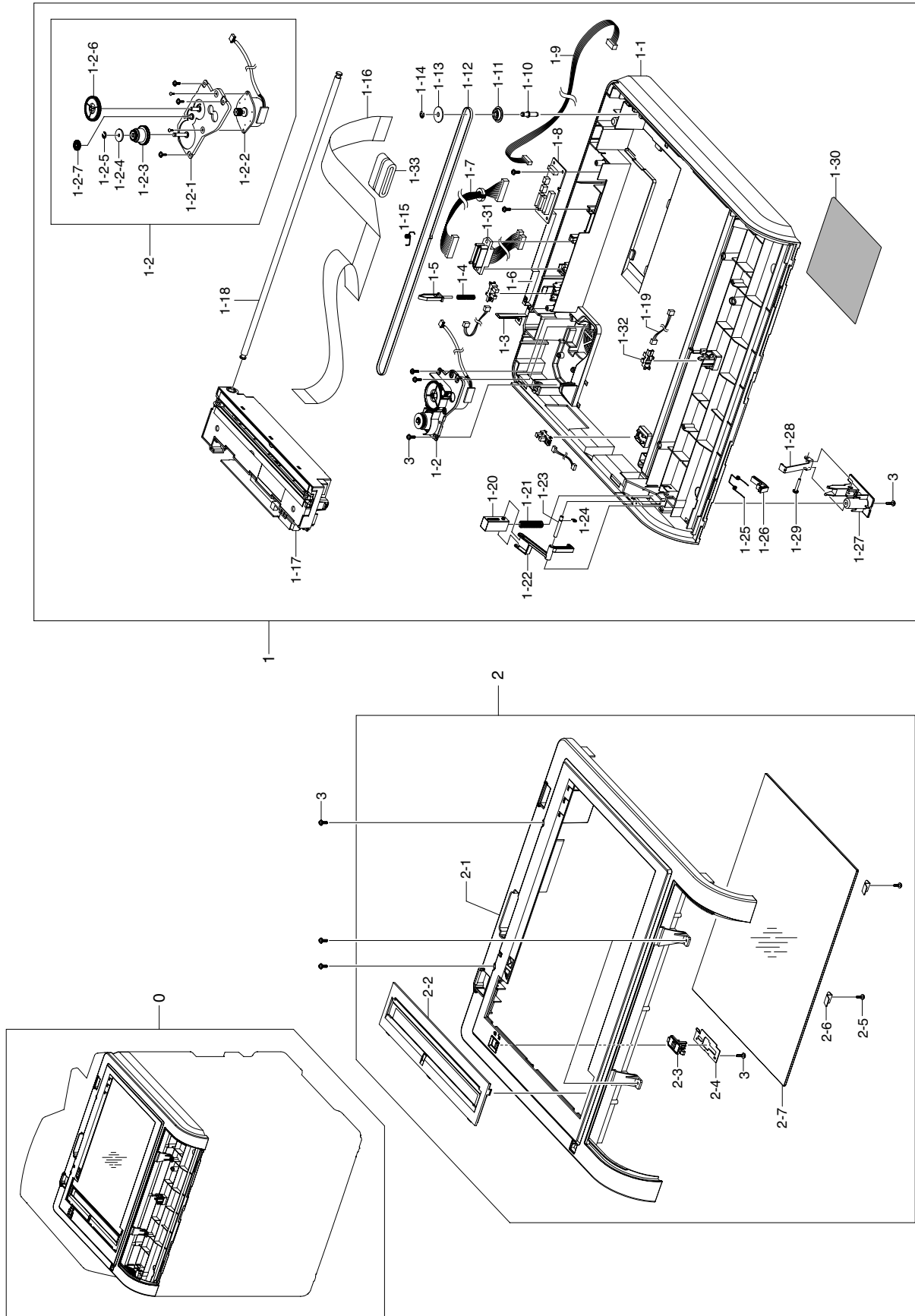


OPE 4in1 Parts List

SA : SERVICE AVAILABLE, SNA : SERVICE not AVAILABLE

Drawer#	SEC_Code	Description	Qt'y	*Service	*Grade	Remark
5.18-0	JC96-04786A	ELA HOU-OPE	1	SA	A	CLX-6200FX
5.18-0	JC96-04969E	ELA HOU-OPE	1	SA	A	CLX-6210FX
5.18-1	JC63-01548A	COVER-OPE	1	SNA	D	CLX-6200FX
5.18-1	JC63-01548H	COVER-OPE	1	SNA	D	CLX-6210FX
5.18-2	JC63-01512F	COVER-NEVI	1	SNA	D	CLX-6210FX
5.18-3	JC63-01510A	COVER-LCD	1	SNA	D	
5.18-4	JC63-00999A	SHEET-ONETOUCH	1	SNA	D	
5.18-5	JC68-01639A	LABEL-ONETOUCH	1	SNA	D	
5.18-6	JC64-00239A	KEY-M_TEL	1	SNA	A	
5.18-7	JC64-00245A	KEY-M_MODE COPY	1	SNA	D	
5.18-8	JC64-00244A	KEY-M_BLACK	1	SNA	A	
5.18-9	JC64-00242A	KEY-M_STOP CLEAR	1	SNA	B	
5.18-10	JC64-00259A	KEY-M-START COLOR	1	SNA	D	
5.18-11	JC64-00243A	KEY-M_START BLACK	1	SNA	D	CLX-6210FX
5.18-12	JC64-00249A	KEY-M_ON HOOK	1	SNA	D	
5.18-13	JC67-00265A	LENS LED-STATUS	1	SNA	D	
5.18-14	JC64-00248A	KEY-M_MENU	1	SNA	D	
5.18-15	JC64-00247A	KEY-M_MODE SCAN	1	SNA	D	
5.18-16	JC64-00245A	KEY-M_MODE COPY	1	SNA	D	
5.18-17	JC64-00246A	KEY-M_MODE FAX	1	SNA	D	
5.18-18	JC64-00241A	KEY-M_FAX	1	SNA	D	
5.18-19	JC64-00250A	KEY-M_ONETOUCH	1	SNA	D	
5.18-20	JC73-00261A	RUBBER-TEL	1	SA	A	
5.18-21	JC73-00230A	RUBBER-MENU	1	SNA	A	
5.18-22	JC73-00233A	RUBBER-MODE	1	SNA	A	
5.18-23	JC73-00262A	RUBBER-ONETOUCH	1	SA	A	
5.18-24	JC92-01951A	PBA-OPE	1	SA	A	
5.18-25	6003-000196	SCREW-TAPTITE	9	SA	A	

5.19 Platen Ass'y



Platen Ass'y Parts List

SA : SERVICE AVAILABLE, SNA : SERVICE not AVAILABLE

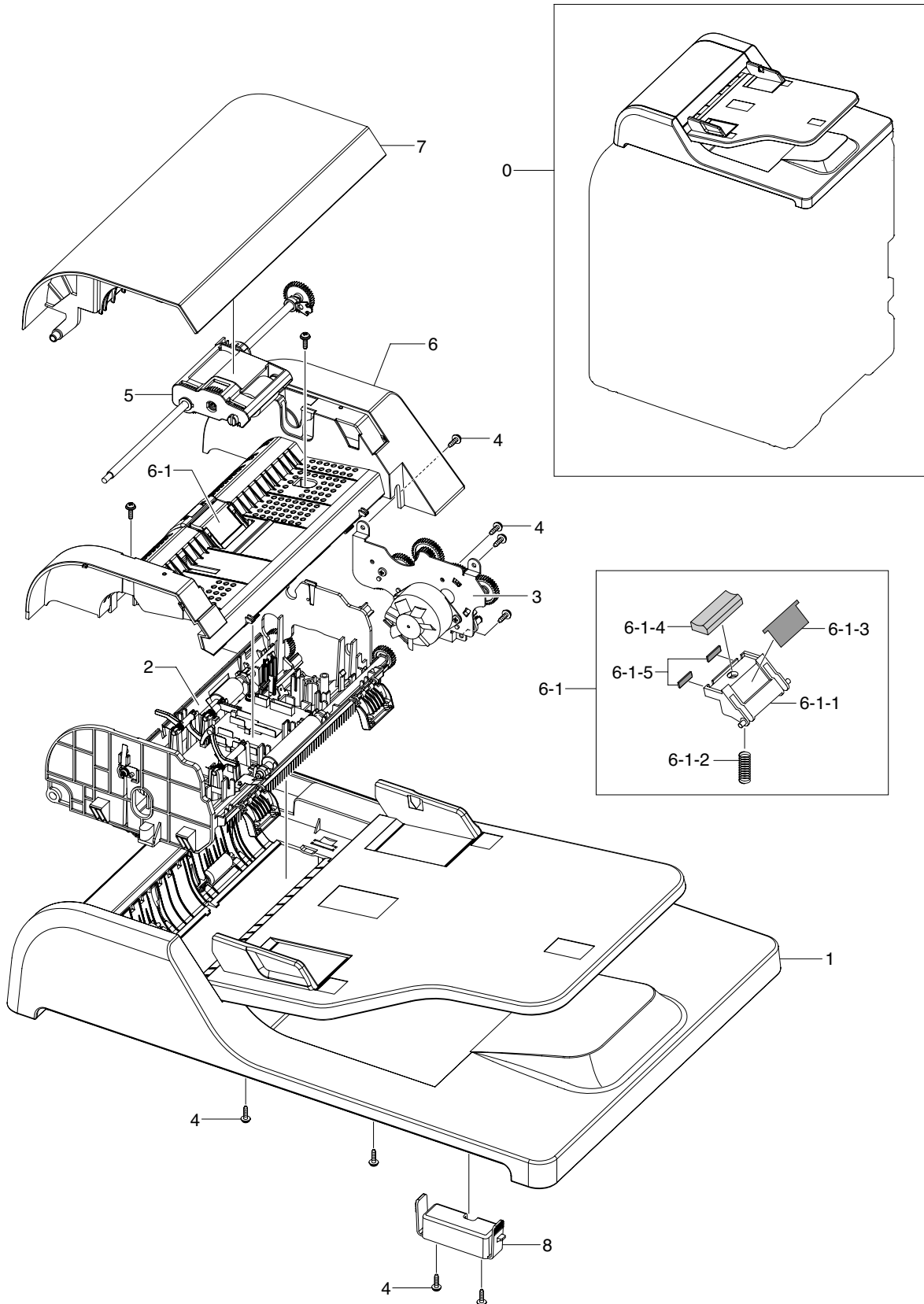
Drawer#	SEC_Code	Description	Qt'y	*Service	*Grade	Remark
5.19-0	JC96-04793A	ELA HOU-PLATEN	1	SA	A	
5.19-1	JC96-04788A	ELA HOU-SCAN LOWER	1	SA	A	
5.19-1-1	JC63-01505A	COVER-SCAN LOWER	1	SNA	D	
5.19-1-2	JC96-04787A	ELA HOU-SCAN MOTOR	1	SA	A	
5.19-1-2-1	JC61-00895A	BRACKET-SCAN MOTOR R2	1	SA	A	
5.19-1-2-2	JC31-00104A	MOTOR STEP	1	SA	A	
5.19-1-2-3	JC66-00530A	GEAR-REDUCTION73/37	1	SA	A	
5.19-1-2-4	JB72-00764A	PMO-HOLDER BELT	1	SA	A	
5.19-1-2-5	6044-000125	RING-E	1	SA	A	
5.19-1-2-6	JC66-00531A	GEAR-TIMING	1	SA	A	
5.19-1-2-7	JB66-00083A	GEAR-IDLE	1	SA	A	
5.19-1-3	JC63-01565A	GROUND-CONNECTION	1	SNA	D	SCAN LOWER
5.19-1-4	6107-001135	SPRING-CS	1	SA	B	
5.19-1-5	JC72-00755A	PMO-LEVER SENSOR	1	SA	D	
5.19-1-6	JC63-01559A	GROUND-SCAN LOWER	1	SNA	D	
5.19-1-7	JC39-00848A	HARNESS-SCAN	1	SA	A	
5.19-1-8	JC92-01952A	PBA-SCAN	1	SA	A	
5.19-1-9	JC39-00849A	HARNESS-OPE	1	SA	A	
5.19-1-10	JB70-00154A	ICT-INSERT SHAFT	1	SNA	A	
5.19-1-11	JB72-00763A	PMO-PULLEY	1	SA	A	
5.19-1-12	6602-001067	BELT-TIMING GEAR	1	SA	A	
5.19-1-13	JB72-00764A	PMO-HOLDER BELT	1	SA	A	
5.19-1-14	6044-000125	RING-E	3	SA	A	
5.19-1-15	JB61-00059A	SPRING ETC-BELT	1	SA	A	
5.19-1-16	JC39-00858A	FLAT CABLE	1	SNA	A	
5.19-1-17	JC96-04605A	ELA UNIT-CCDM MIDDLE	1	SA	A	
5.19-1-18	JB70-00145A	ICT-SHAFT CCD	1	SNA	A	
5.19-1-19	JC39-00857A	HARNESS-BIN FULL	1	SA	A	
5.19-1-20	JC63-01552A	COVER-ADF LOCK UP	1	SNA	D	
5.19-1-21	6107-001363	SPRING-CS	1	SA	A	
5.19-1-22	JC66-01750A	LINK-SCAN LOCK	1	SNA	D	
5.19-1-23	JC66-01832A	SHAFT-SCAN LOCK	1	SNA	D	
5.19-1-24	6044-000159	RING-C	1	SA	A	
5.19-1-25	JC61-02449A	SPRING ETC-REVERSE	1	SA	D	
5.19-1-26	JC66-01888A	LEVER-SCAN LOCK	1	SNA	D	
5.19-1-27	JC63-01555A	COVER-ADF LOCK LO	1	SNA	D	
5.19-1-28	JC61-02216A	PLATE-ADF LOCK	1	SNA	D	
5.19-1-29	JC66-01831A	SHAFT-ADF LOCK	1	SNA	D	
5.19-1-30	JC68-01998A	LABEL-INFORMATION	1	SNA	D	
5.19-1-31	JC39-00850A	HARNESS-DADF LOWER	1	SA	A	
5.19-1-32	0604-001095	PHOTO-INTERRUPTER	3	SA	A	
5.19-2	JC97-03144A	MEA-SCAN UPPER	1	SNA	A	
5.19-2-1	JC63-01506A	COVER-SCAN UPPER	1	SNA	D	

Platen Ass'y Parts List

SA : SERVICE AVAILABLE, SNA : SERVICE not AVAILABLE

Drawer#	SEC_Code	Description	Qt'y	*Service	*Grade	Remark
5.19-2-2	JC97-03093A	MEA-SCAN DUMMY UPPER	1	SA	D	
5.19-2-3	JC66-01523A	LEVER-LOCKER	1	SNA	D	
5.19-2-4	JC61-01987A	BRACKET-LOCKER	1	SNA	A	
5.19-2-5	6002-000440	SCREW-TAPPING	2	SA	A	
5.19-2-6	JB70-00148A	IPR-HOLDER GLASS	2	SA	A	
5.19-2-7	JC01-00001A	GLASS-SCAN	1	SA	A	
5.19-3	6003-000196	SCREW-TAPTITE	4	SA	A	

5.20 ADF Ass'y

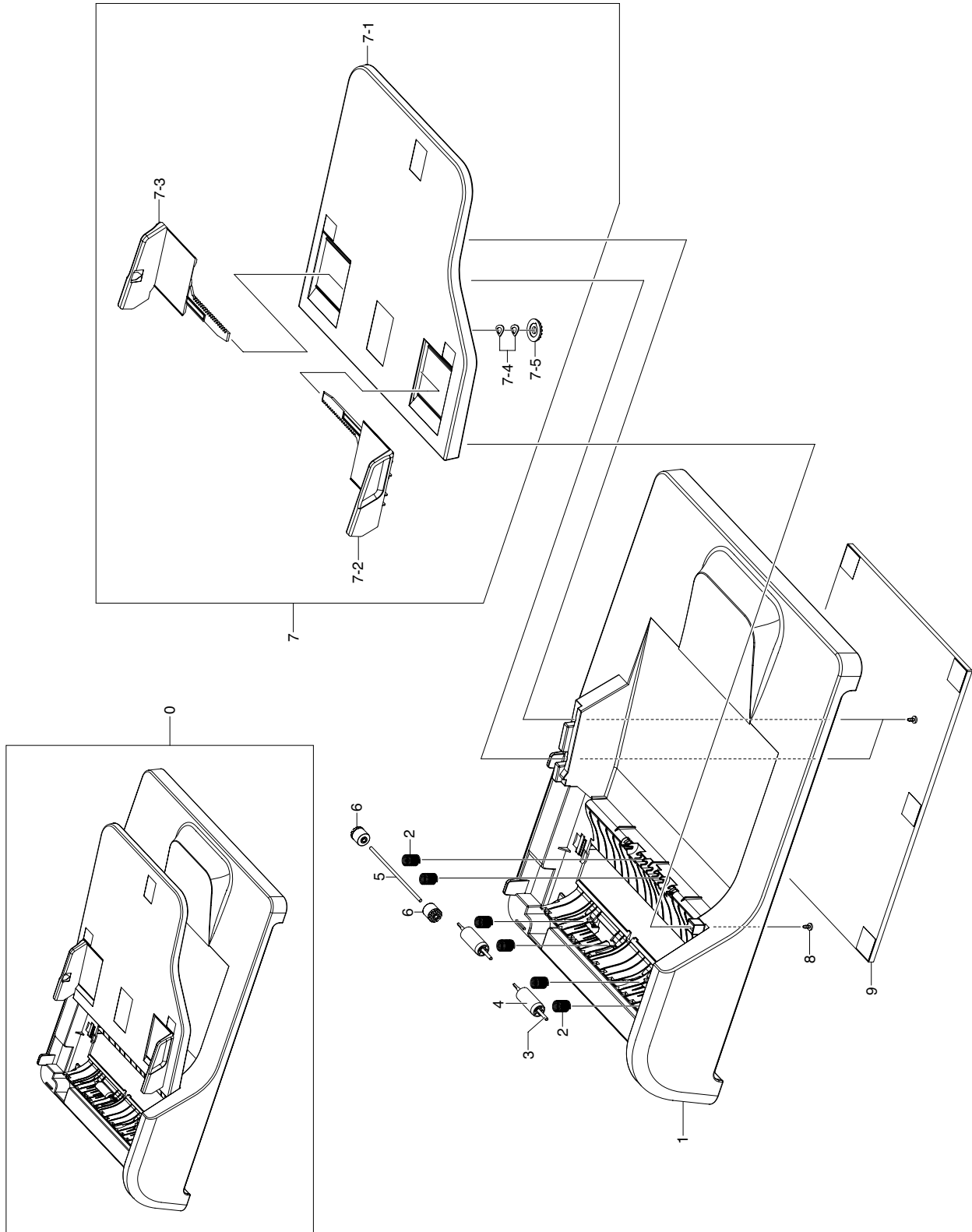


ADF Ass'y Parts List

SA : SERVICE AVAILABLE, SNA : SERVICE not AVAILABLE

Drawer#	SEC_Code	Description	Qt'y	*Service	*Grade	Remark
5.20-0	JC96-04792A	ELA HOU-ADF	1	SA	A	
5.20-1	JC97-03143A	MEA-COVER PLATEN	1	SNA	A	
5.20-2	JC96-03784A	ELA HOU-ADF LOWER	1	SA	A	
5.20-3	JC96-03783A	ELA HOU-ADF MOTOR	1	SA	A	
5.20-4	6003-000196	SCREW-TAPTITE	17	SA	A	
5.20-5	JC97-01962A	MEA UNIT-PICKUP DELL	1	SA	A	
5.20-6	JC97-01940B	MEA UNIT-HOLDER ADF	1	SA	A	
5.20-6-1	JC61-00893B	HOLDER-M_PAD ADF	1	SA	A	
5.20-6-2	JC61-00387A	SPRING ETC-PAD	1	SA	A	
5.20-6-3	JC63-00373A	SHEET-ADF HOLDER	1	SNA	A	
5.20-6-4	JB73-00052A	RMO-ADF RUBBER	1	SA	A	
5.20-6-5	JC66-00738A	DAMPER-PAD ADF_R2	2	SNA	A	
5.20-7	JC97-02410A	MEA-ADF UPPER	1	SNA	A	
5.20-8	JC63-00998A	COVER-M_ADF CONNECTOR	1	SNA	A	

5.21 Platen Cover ADF

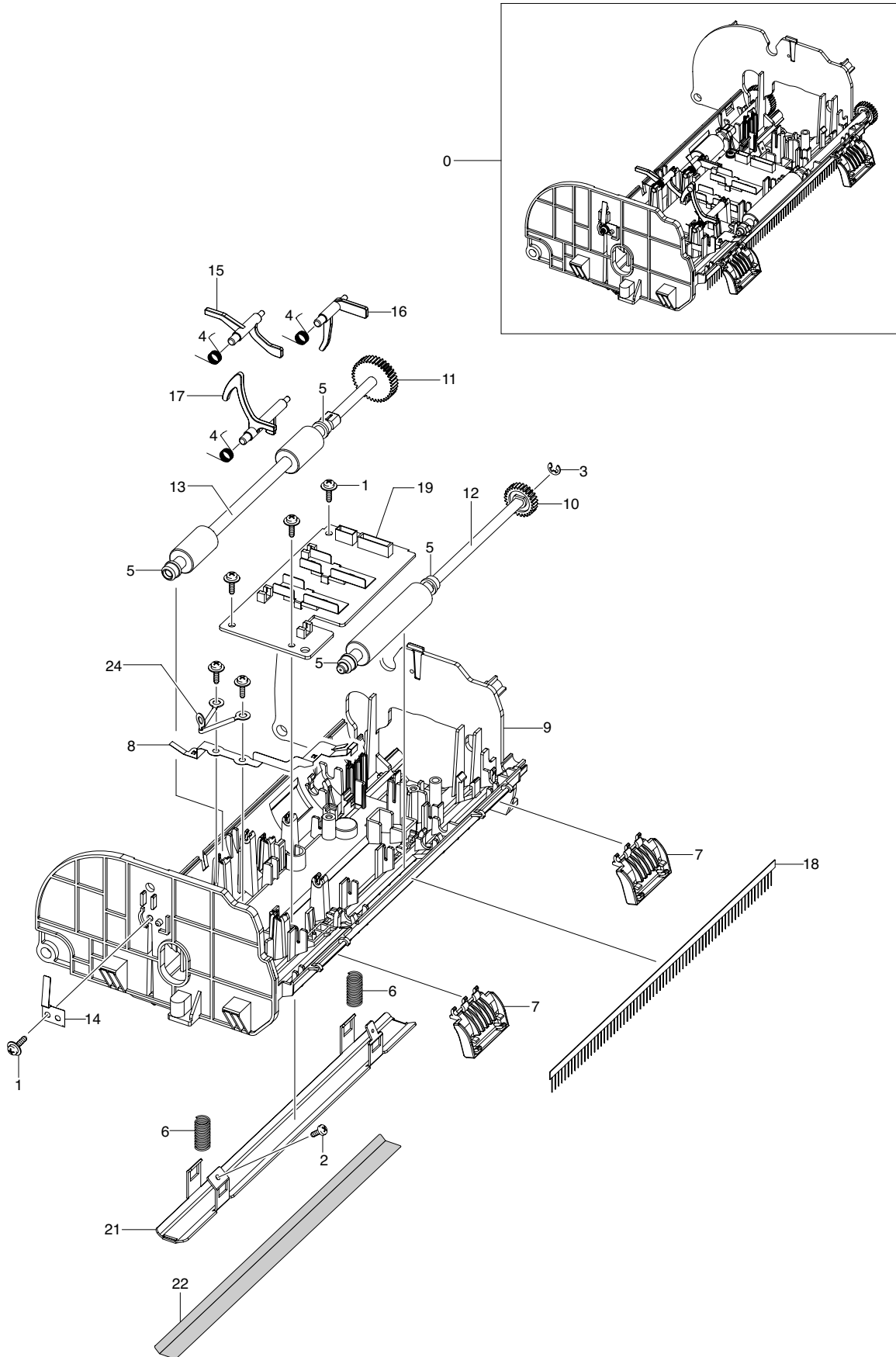


Platen Cover ADF Parts List

SA : SERVICE AVAILABLE, SNA : SERVICE not AVAILABLE

Drawer#	SEC_Code	Description	Qt'y	*Service	*Grade	Remark
5.21-0	JC97-03143A	MEA-COVER PLATEN	1	SNA	A	
5.21-1	JC63-00984A	COVER-M_PLATEN	1	SNA	A	
5.21-2	JC61-00011A	SPRING ETC-FEED	6	SA	A	
5.21-3	JC66-00909A	SHAFT-IDLE FEED	2	SA	A	
5.21-4	JC66-00728A	ROLLER-ADF FEED	2	SA	A	
5.21-5	JF70-40521B	ICT-SHAFT PINCH	1	SA	B	
5.21-6	JG72-40663A	PMO-ROLL PINCH	2	SA	A	
5.21-7	JC97-02406A	MEA-TX STACKER	1	SA	A	
5.21-7-1	JC63-00988A	COVER-M_STACKER TX	1	SNA	A	
5.21-7-2	JC61-01610A	GUIDE-M_DOCU R	1	SNA	A	
5.21-7-3	JC61-01609A	GUIDE-M_DOCU L	1	SNA	A	
5.21-7-4	JF70-10616A	IPR-WASHER SPRING CU	2	SA	D	
5.21-7-5	JG66-40003A	GEAR-PINION	1	SA	A	
5.21-8	6003-000196	SCREW-TAPTITE	3	SA	A	
5.21-9	JC63-00209B	SHEET-WHITE SPONGE	1	SA	B	

5.22 ADF Lower

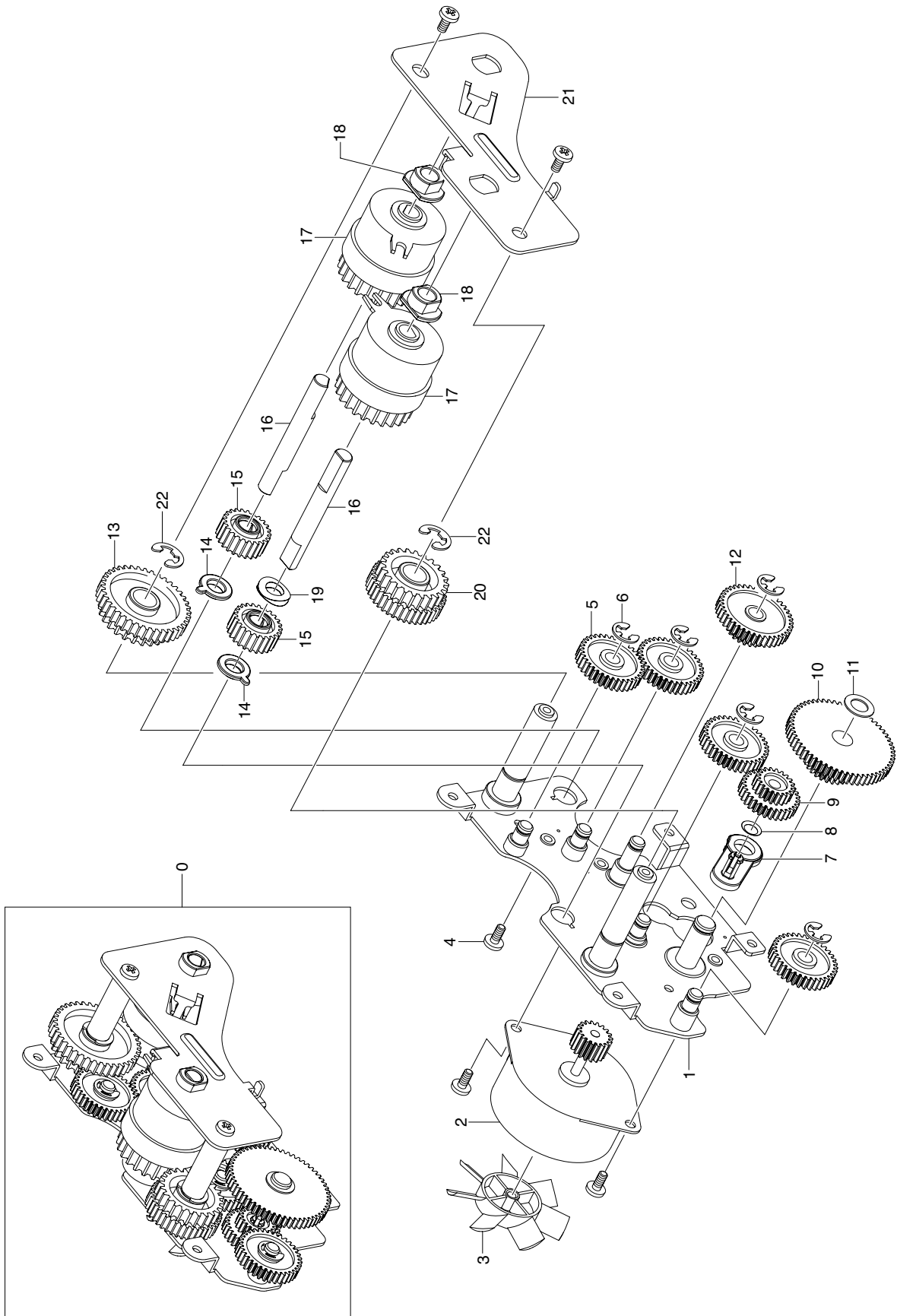


ADF Lower Parts List

SA : SERVICE AVAILABLE, SNA : SERVICE not AVAILABLE

Drawer#	SEC_Code	Description	Qt'y	*Service	*Grade	Remark
5.22-0	JC96-03784A	ELA HOU-ADF LOWER	1	SA	A	
5.22-1	6003-000196	SCREW-TAPTITE	6	SA	A	
5.22-2	6003-000269	SCREW-TAPTITE	1	SA	A	
5.22-3	6044-000159	RING-C	1	SA	A	
5.22-4	JB61-00076A	SPRING ETC-TORSION DOC (CC2-F)	3	SA	D	
5.22-5	JB72-00819A	PMO-BUSH	4	SA	A	
5.22-6	JC61-00548A	SPRING ETC-WHITE BAR	2	SA	A	
5.22-7	JC61-00712A	GUIDE-STACKER SUB	2	SA	A	
5.22-8	JC63-00372A	GROUND-P-ADF R2	1	SA	A	
5.22-9	JC63-00982A	COVER-M_ADF LOWER	1	SNA	A	
5.22-10	JC66-00310A	GEAR-AGITATOR-2	1	SA	A	
5.22-11	JC66-00460A	SHAFT-M-FEED GEAR 38	1	SA	A	
5.22-12	JC66-00559A	ROLLER-EXIT	1	SA	A	
5.22-13	JC66-00560A	ROLLER-DRIVE	1	SA	D	
5.22-14	JC70-10467A	IPR-GROUND_ROLLER	1	SNA	D	
5.22-15	JC72-01010A	PMO-ACTUATOR REGI SENSOR	1	SA	A	
5.22-16	JC72-01011A	PMO-ACTUATOR SCAN SENSOR	1	SA	A	
5.22-17	JC72-01320A	PMO-ACT EMPTY ADF	1	SA	D	
5.22-18	JC75-00095A	MEC-BRUSH ANTISTATIC	1	SA	A	
5.22-19	JC92-01755A	PBA SUB-ADF	1	SA	A	
5.22-21	JC61-01695A	BRACKET-P_WHITE_BAR	1	SA	A	
5.22-22	JC72-00752A	PPR-WHITE BAR SHEET	1	SA	D	
5.22-24	JC39-00534A	CBF HARNESS-ADF R GND	1	SA	D	

5.23 ADF Motor

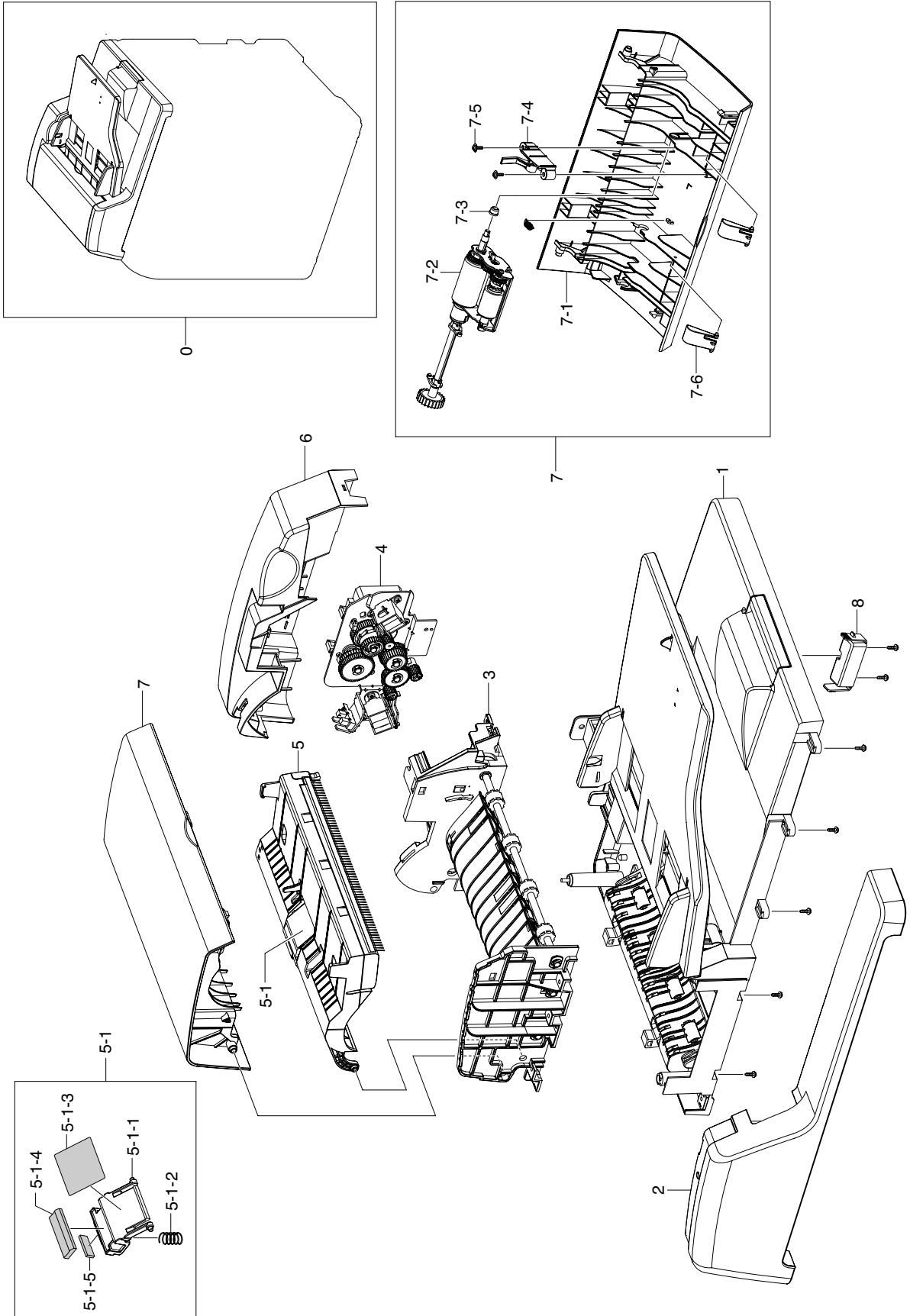


ADF Motor Parts List

SA : SERVICE AVAILABLE, SNA : SERVICE not AVAILABLE

Drawer#	SEC_Code	Description	Qt'y	*Service	*Grade	Remark
5.23-0	JC96-03783A	ELA HOU-ADF MOTOR	1	SA	A	
5.23-1	JC61-01589A	BRACKET-P-GEAR H	1	SNA	A	
5.23-2	JC31-00036A	MOTOR STEP-ADF	1	SA	D	
5.23-3	JC66-00556A	IMPELLER-ADF	1	SA	A	
5.23-4	6003-000269	SCREW-TAPTITE	5	SA	A	
5.23-5	JC66-00458A	GEAR-IDLE 35 ADF	4	SA	A	
5.23-6	6044-000125	RING-E	5	SA	A	
5.23-7	JC66-01177A	LINK-M_SWING	1	SNA	A	
5.23-8	JB70-00070A	IPR-WASHER WAVE	1	SA	A	
5.23-9	JC66-00457A	GEAR-SWING 31/20 ADF	1	SA	A	
5.23-10	JC66-00455A	GEAR-58/25 ADF	1	SA	A	
5.23-11	6031-000023	WASHER-PLAIN	1	SA	A	
5.23-12	JC66-00456A	GEAR-40/21 ADF	1	SA	A	
5.23-13	JC66-01176A	GEAR-39/29	1	SNA	D	
5.23-14	JC72-01105A	PMO-BUSHING FEED MID	1	SNA	D	
5.23-15	JC66-01175A	GEAR-24	2	SNA	D	
5.23-16	JC66-00662A	SHAFT-REGI	2	SA	D	
5.23-17	JC66-00972A	CLUTCH-2.5K Z24	2	SA	B	
5.23-18	JC61-00423A	BUSH-6_D	2	SA	A	
5.23-19	JF70-10616A	IPR-WASHER SPRING CU	1	SA	D	
5.23-20	JC66-01174A	GEAR-40/21	1	SNA	D	
5.23-21	JC63-00995A	COVER-P-CLUTCH	1	SNA	A	
5.23-22	6044-000231	RING-E	2	SA	A	

5.24 DADF Ass'y

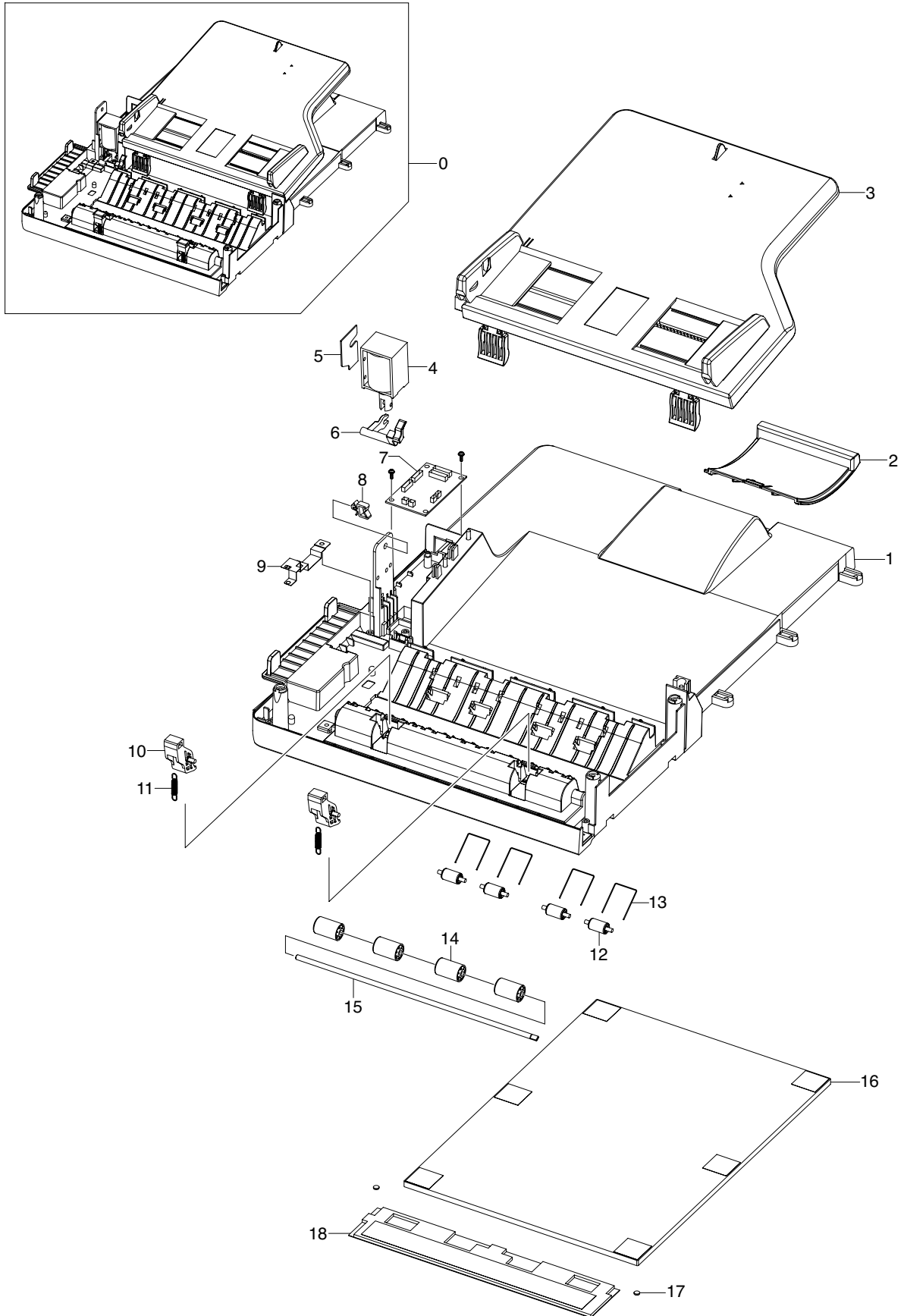


DADF Ass'y Parts List

SA : SERVICE AVAILABLE, SNA : SERVICE not AVAILABLE

Drawer#	SEC_Code	Description	Qt'y	*Service	*Grade	Remark
5.24-0	JC96-04790A	ELA HOU-DADF	1	SA	A	
5.24-1	JC96-04960A	ELA HOU-COVER PLATEN	1	SNA	A	
5.24-2	JC63-01579A	COVER-HANDLE_PLATEN	1	SNA	D	
5.24-3	JC96-04818A	ELA HOU-DADF LOWER	1	SA	A	
5.24-4	JC96-04816A	ELA HOU-DADF DRV	1	SA	B	
5.24-5	JC96-04815A	ELA HOU-DADF UPPER	1	SA	D	
5.24-5-1	JC97-03069A	MEA UNIT-DADF RUBBER	1	SA	B	
5.24-5-1-1	JC61-00744A	HOLDER-M-ADF RUBBER UPPER	1	SNA	B	
5.24-5-1-2	JC61-00387A	SPRING ETC-PAD	1	SA	A	
5.24-5-1-3	JC63-00186A	SHEET-GUIDE ADF	1	SA	B	
5.24-5-1-4	JB73-00052A	RMO-ADF RUBBER	1	SA	A	
5.24-5-1-5	JC73-00079A	RPR-SEAL SIDE	1	SA	D	
5.24-6	JC63-01606A	COVER-DADF_R	1	SNA	B	
5.24-7	JC97-03058A	MEA UNIT-COVER OPEN	1	SA	D	
5.24-7-1	JC63-01656A	COVER-OPEN	1	SNA	B	
5.24-7-2	JC97-03070A	MEA UNIT-PICK UP DADF	1	SA	B	
5.24-7-3	JB72-00819A	PMO-BUSH	1	SA	A	
5.24-7-4	JC97-03060A	MEA UNIT-STOPPER	1	SA	B	
5.24-7-5	6003-000196	SCREW-TAPTITE	2	SA	A	
5.24-7-6	JC61-00788A	GUIDE-M_DOC SENSOR	2	SNA	B	
5.24-8	JC63-00998A	COVER-M_ADF CONNECTOR	1	SNA	A	

5.25 Platen Cover DADF

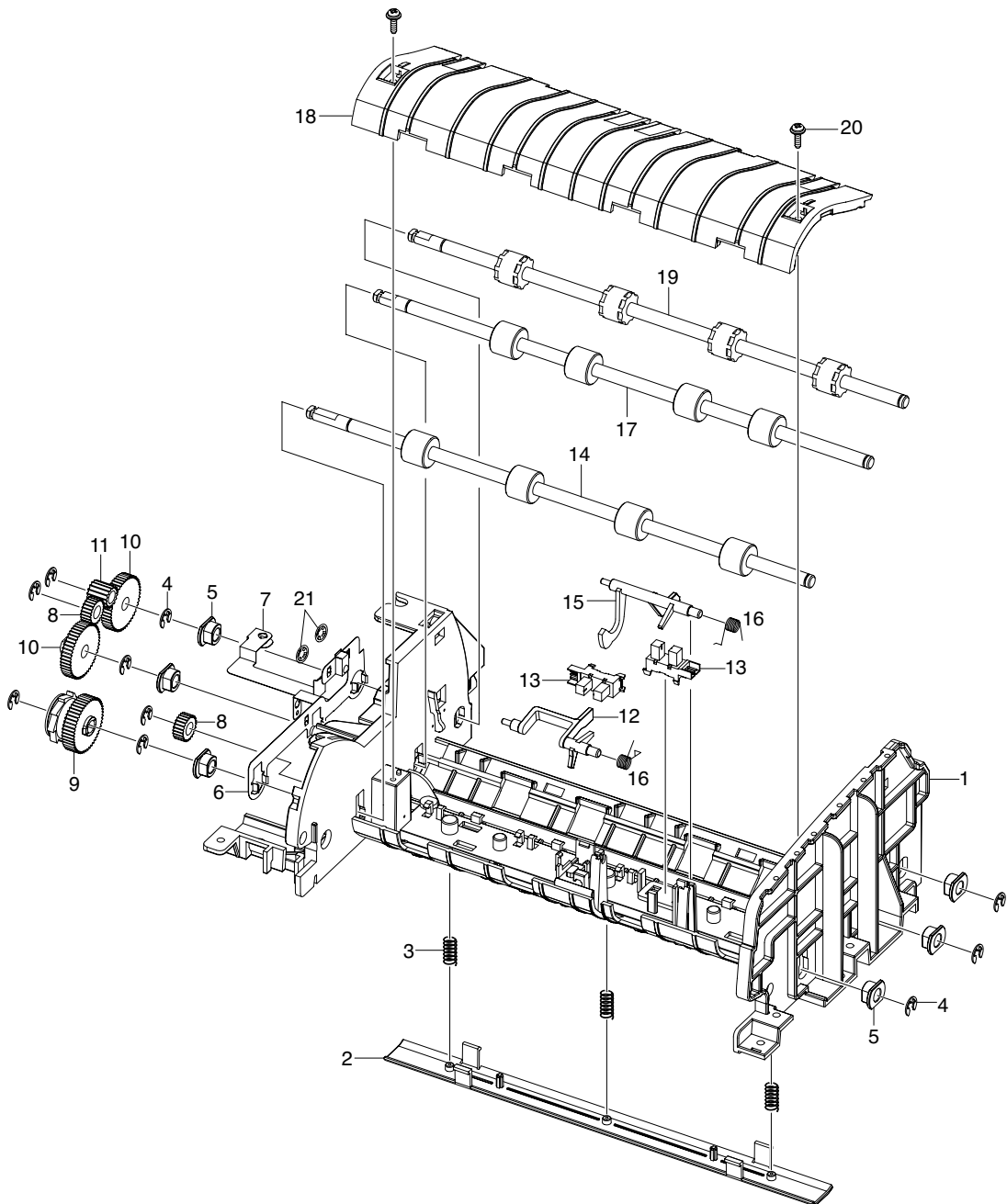
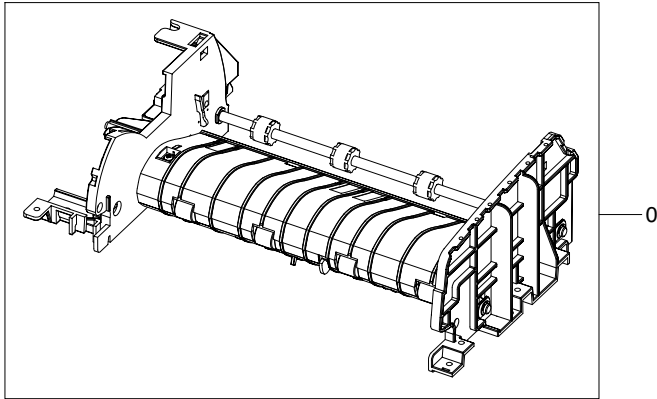


Platen Cover DADF Parts List

SA : SERVICE AVAILABLE, SNA : SERVICE not AVAILABLE

Drawer#	SEC_Code	Description	Qt'y	*Service	*Grade	Remark
5.25-0	JC96-04960A	ELA HOU-COVER PLATEN	1	SNA	A	
5.25-1	JC63-01623A	COVER-PLATEN	1	SNA	B	
5.25-2	JC61-02418A	GUIDE-EXTENSION	1	SNA	B	
5.25-3	JC97-03047A	MEA-TX STACKER	1	SA	D	
5.25-4	JC33-00031A	SOLENOID-LIFTING	1	SA	B	
5.25-5	JC69-01327A	PAD-SOLENOID	1	SNA	B	
5.25-6	JC66-01774A	LEVER-LIFTING_EXIT	1	SNA	D	
5.25-7	JC92-01954A	PBA-DADF	1	SA	A	CLX-6200ND,6210FX
5.25-7	JC92-02039A	PBA-ADF	1	SA	A	CLX-6200FX
5.25-8	6502-001093	CABLE CLAMP	1	SA	A	
5.25-9	JC63-01660A	GROUND-PLATEN	1	SA	B	
5.25-10	JC66-01749A	LEVER-JAM_FEED	2	SNA	D	
5.25-11	JC61-02427A	SPRING ETC-FEED IDLE	2	SNA	D	
5.25-12	JC66-01764A	ROLLER-IDLE	4	SNA	D	
5.25-13	JC61-02429A	SPRING ETC-MID IDLE	4	SNA	B	
5.25-14	JC66-01022A	ROLLER-M_IDLE SCF	4	SNA	A	CLX-6200ND
5.25-15	JC66-01817A	SHAFT-FEED IDLE	1	SNA	D	
5.25-16	JC63-00209B	SHEET-WHITE SPONGE	1	SA	B	
5.25-17	JC72-01440A	SPONGE-PLATEN DUMMY	1	SNA	D	
5.25-18	JC72-01439A	SPONGE-DADF PLATEN	1	SNA	D	

5.26 DADF lower

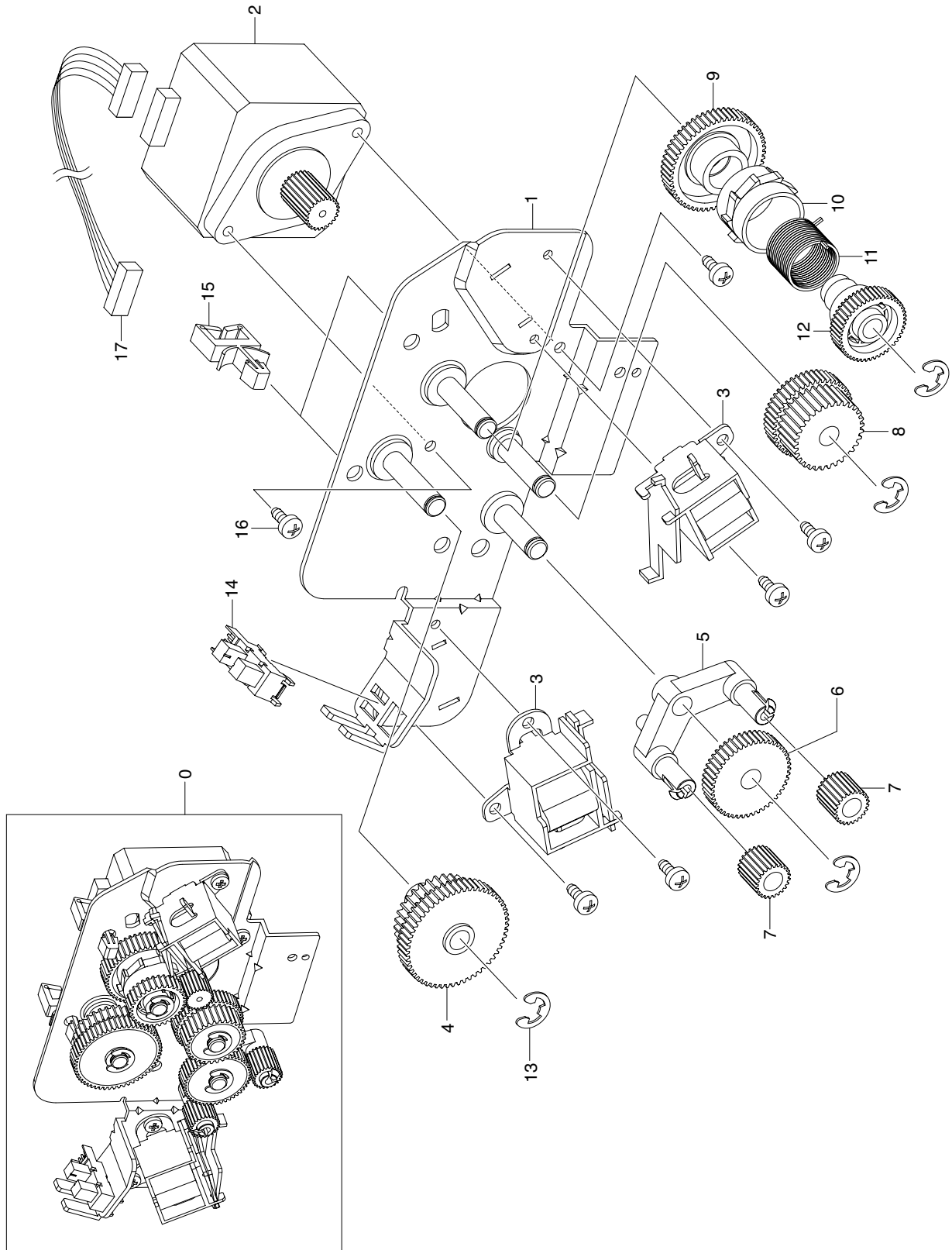


DADF lower Parts List

SA : SERVICE AVAILABLE, SNA : SERVICE not AVAILABLE

Drawer#	SEC_Code	Description	Qt'y	*Service	*Grade	Remark
5.26-0	JC96-04818A	ELA HOU-DADF LOWER	1	SA	A	
5.26-1	JC63-01589A	COVER-DADF_LOWER	1	SNA	B	
5.26-2	JC61-01179A	PLATE-M_WHITE BAR	1	SA	B	
5.26-3	6107-001135	SPRING-CS	3	SA	B	
5.26-4	6044-000125	RING-E	10	SA	A	
5.26-5	JC61-00423A	BUSH-6_D	6	SA	A	
5.26-6	JC63-01662A	GROUND-FEED EXIT	1	SA	B	
5.26-7	JC63-01661A	GROUND-DADF	1	SA	B	
5.26-8	JC66-01755A	GEAR-FEED IDLE D	2	SA	D	
5.26-9	JC97-03085A	MEA-GEAR FEED	1	SA	B	
5.26-10	JC66-01757A	GEAR-EXIT	2	SA	D	
5.26-11	JC66-01754A	GEAR-FEED IDLE C	1	SA	B	
5.26-12	JC66-01766A	ACTUATOR-FEED	1	SNA	B	
5.26-13	0604-001095	PHOTO-INTERRUPTER	2	SA	A	
5.26-14	JC66-01823A	ROLLER-FEED	1	SNA	B	
5.26-15	JC66-01762A	ACTUATOR-REGI	1	SNA	B	
5.26-16	JB61-00076A	SPRING ETC-TORSION DOC (CC2-F)	2	SA	D	
5.26-17	JC66-01822A	ROLLER-MIDDLE	1	SNA	B	
5.26-18	JC63-01597A	COVER-DADF_MIDDLE	1	SNA	B	
5.26-19	JC66-01824A	ROLLER-EXIT	1	SNA	B	
5.26-20	6003-000196	SCREW-TAPTITE	2	SA	A	
5.26-21	6044-000001	RING-CS	2	SNA	A	

5.27 DADF Motor

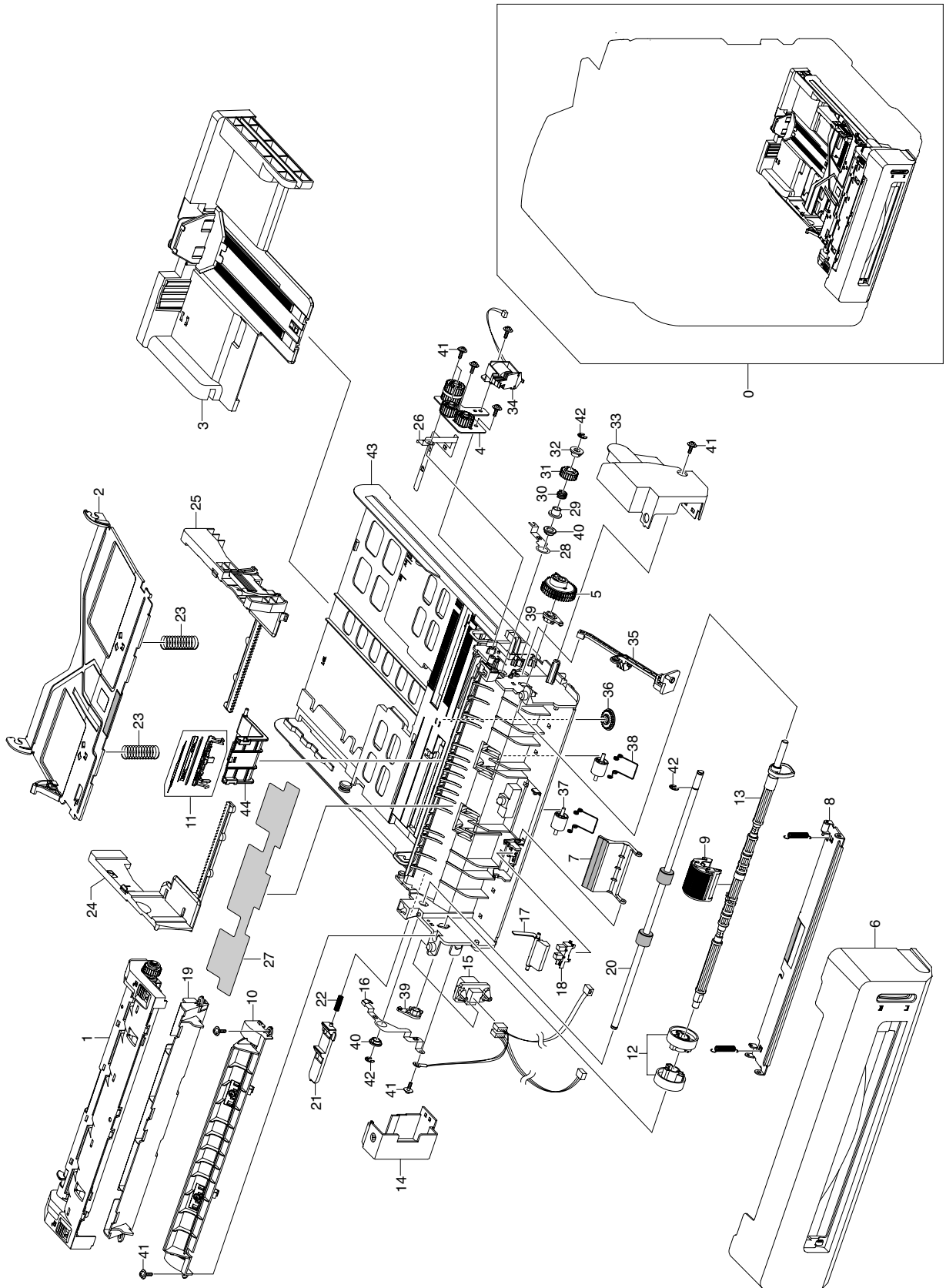


DADF Motor Parts List

SA : SERVICE AVAILABLE, SNA : SERVICE not AVAILABLE

Drawer#	SEC_Code	Description	Qt'y	*Service	*Grade	Remark
5.27-0	JC96-04816A	ELA HOU-DADF DRV	1	SA	B	
5.27-1	JC61-02386A	BRACKET-DRIVE DADF	1	SNA	B	
5.27-2	JC31-00096A	MOTOR STEP	1	SA	A	
5.27-3	JC33-00030A	SOLENOID-DADF	2	SA	A	
5.27-4	JC66-01758A	GEAR-PICKUP IDLE	1	SA	D	
5.27-5	JC61-02278A	BRACKET-SWING	1	SNA	B	
5.27-6	JC66-01753A	GEAR-FEED IDLE B	1	SA	D	
5.27-7	JC66-01754A	GEAR-FEED IDLE C	2	SA	B	
5.27-8	JC66-01752A	GEAR-FEED IDLE A	1	SA	D	
5.27-9	JC66-01759A	GEAR-PICKUP IDLE LOW	1	SA	B	
5.27-10	JC61-02240A	COLLAR-PICKUP	1	SNA	B	
5.27-11	6107-001171	SPRING-TS	1	SA	A	
5.27-12	JC66-01760A	GEAR-PICKUP IDLE UP	1	SA	B	
5.27-13	6044-000231	RING-E	4	SA	A	
5.27-14	0604-001095	PHOTO-INTERRUPTER	1	SA	A	
5.27-15	6502-000132	CABLE CLAMP	2	SA	A	
5.27-16	6003-000269	SCREW-TAPTITE	6	SA	A	
5.27-17	JC39-00852A	HARNESS-DADF MOTOR	1	SA	A	

5.28 Cassette

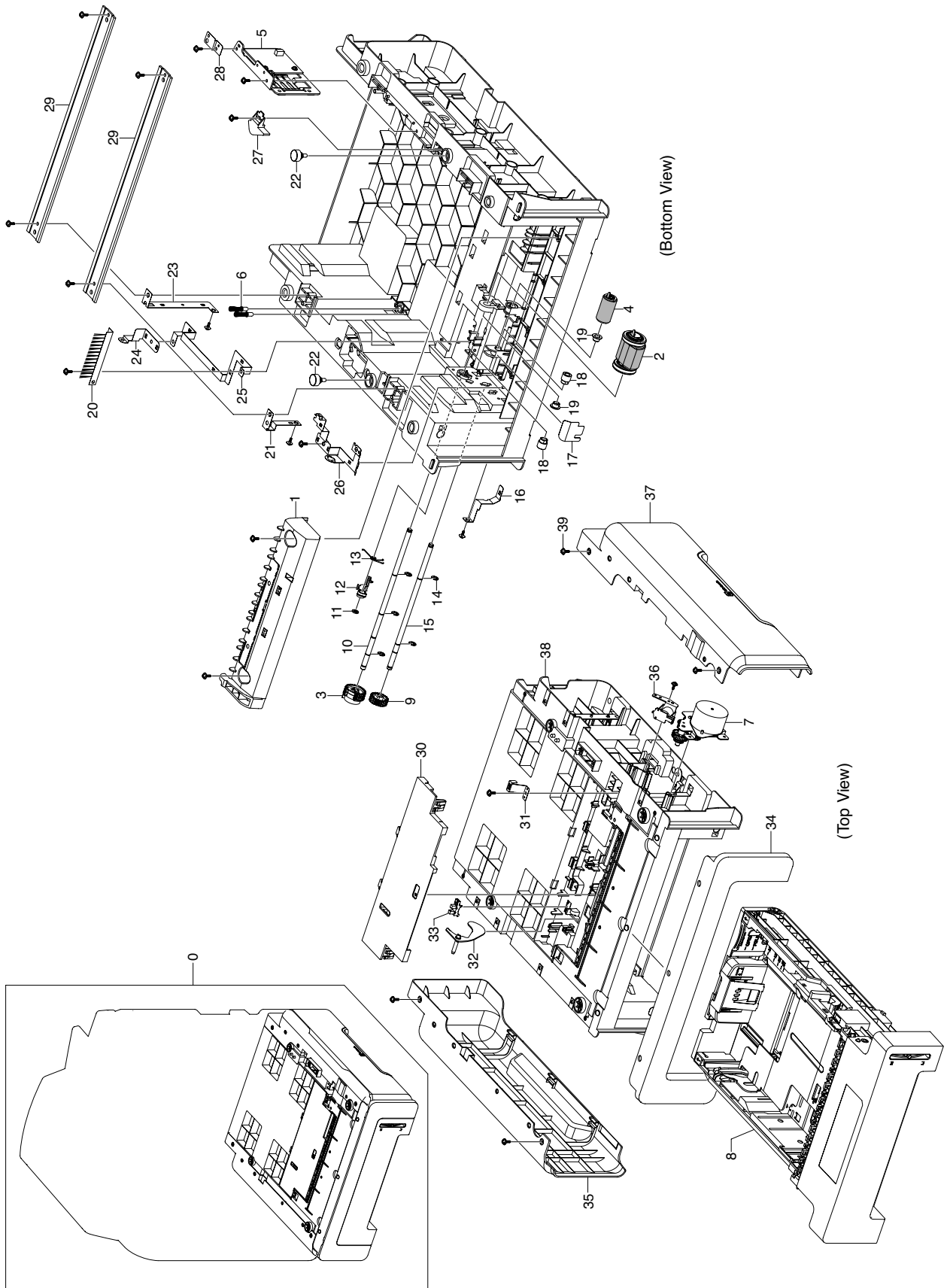


Cassette Parts List

SA : SERVICE AVAILABLE, SNA : SERVICE not AVAILABLE

Drawer#	SEC_Code	Description	Qt'y	*Service	*Grade	Remark
5.28-0	JC96-04498A	ELA HOU-UNIT_CASSETTE	1	SA	A	
5.28-1	JC97-02897A	MEA UNIT-REGISTRATION	1	SA	A	
5.28-2	JC97-02888A	MEA-KNOCK_UP_PLATE	1	SNA	A	
5.28-3	JC97-02887A	MEA-GUIDE_EXETENSION	1	SA	A	
5.28-4	JC97-02889A	MEA UNIT-GEAR_BASE	1	SNA	A	
5.28-5	JC97-02893A	MEA-GEAR PICKUP_MP	1	SA	A	
5.28-6	JC97-02885A	MEA-COVER_CASSETTE	1	SA	A	
5.28-7	JC97-02892A	MEA-HOLDER PAD_MP	1	SA	A	
5.28-8	JC97-02891A	MEA-KNOCK_UPP LATE_MP	1	SNA	A	
5.28-9	JC96-02686B	ELA UNIT-ROLLER P/UP MP	1	SA	A	
5.28-10	JC97-02890A	MEA-GUIDE PAPER DUP	1	SA	A	
5.28-11	JC97-03077A	MEA-HOLDER_PAD_SHEET	1	SA	A	
5.28-12	JC72-01003A	PMO-IDLE PICK UP MP	2	SA	A	
5.28-13	JC66-01348A	SHAFT-MP_PICK_UP	1	SA	A	
5.28-14	JC63-01286A	COVER-DRAW_CONNECTOR	1	SNA	A	
5.28-15	JC39-00659A	HARNES-MPDRA WER_MP	1	SNA	A	
5.28-16	JC63-01282A	GROUND-REGI_BRKT	1	SNA	A	
5.28-17	JC66-01403A	ACTUATOR-FEED_EMPTY	1	SA	A	
5.28-18	0604-001095	PHOTO-INTERRUPTER	1	SA	A	
5.28-19	JC61-01865A	GUIDE-PAPER_MPF	1	SNA	A	
5.28-20	JC66-01347A	ROLLER-FEED	1	SA	D	
5.28-21	JC72-00972A	PMO-PLATE_LOCKER	1	SA	A	
5.28-22	JG61-70531A	SPRING ETC-LOCKER,PLATE	1	SA	A	
5.28-23	6107-001166	SPRING-CS	2	SA	B	
5.28-24	JC70-00300A	ADJUST-M-CASSETTE_L	1	SA	A	
5.28-25	JC70-00301A	ADJUST-M-CASSETTE_R	1	SA	A	
5.28-26	JC61-01940A	PLATE-GND_KNOCKUP	1	SNA	A	
5.28-27	JC63-01291A	SHEET-MPF	1	SNA	A	
5.28-28	JC61-01923A	PLATE-GND-BRKT-GEAR	1	SNA	A	
5.28-29	JC61-01128A	HOLDER-_M_GEAR REGI	1	SA	A	
5.28-30	6107-001249	SPRING-CS	1	SNA	D	
5.28-31	JC66-00774A	GEAR-M-REGI	1	SA	D	
5.28-32	JC61-01127A	HOLDER-_M_CLUTCH GEAR	1	SA	A	
5.28-33	JC63-01285A	COVER-GEAR_BOX	1	SNA	A	
5.28-34	JC33-00022A	SOLENOID-PICK_UP	1	SA	D	
5.28-35	JC66-01355A	LEVER-LINK_INDICATOR	1	SNA	D	
5.28-36	JG66-40003A	GEAR-PINION	1	SA	A	
5.28-37	JC66-00764A	ROLLER-IDLE FEED	2	SA	B	
5.28-38	JC61-01274A	SPRING ETC-ROLLER	2	SA	A	
5.28-39	JC72-41191B	PMO-BEARING SHAFT	2	SA	A	
5.28-40	JC61-00699A	BUSH-D6/L4	2	SA	A	
5.28-41	6003-000196	SCREW-TAPTITE	10	SA	A	
5.28-42	6044-000125	RING-E	3	SA	A	
5.28-43	JC61-01856A	FRAME-CASSETTE	1	SNA	A	

5.29 SCF Unit

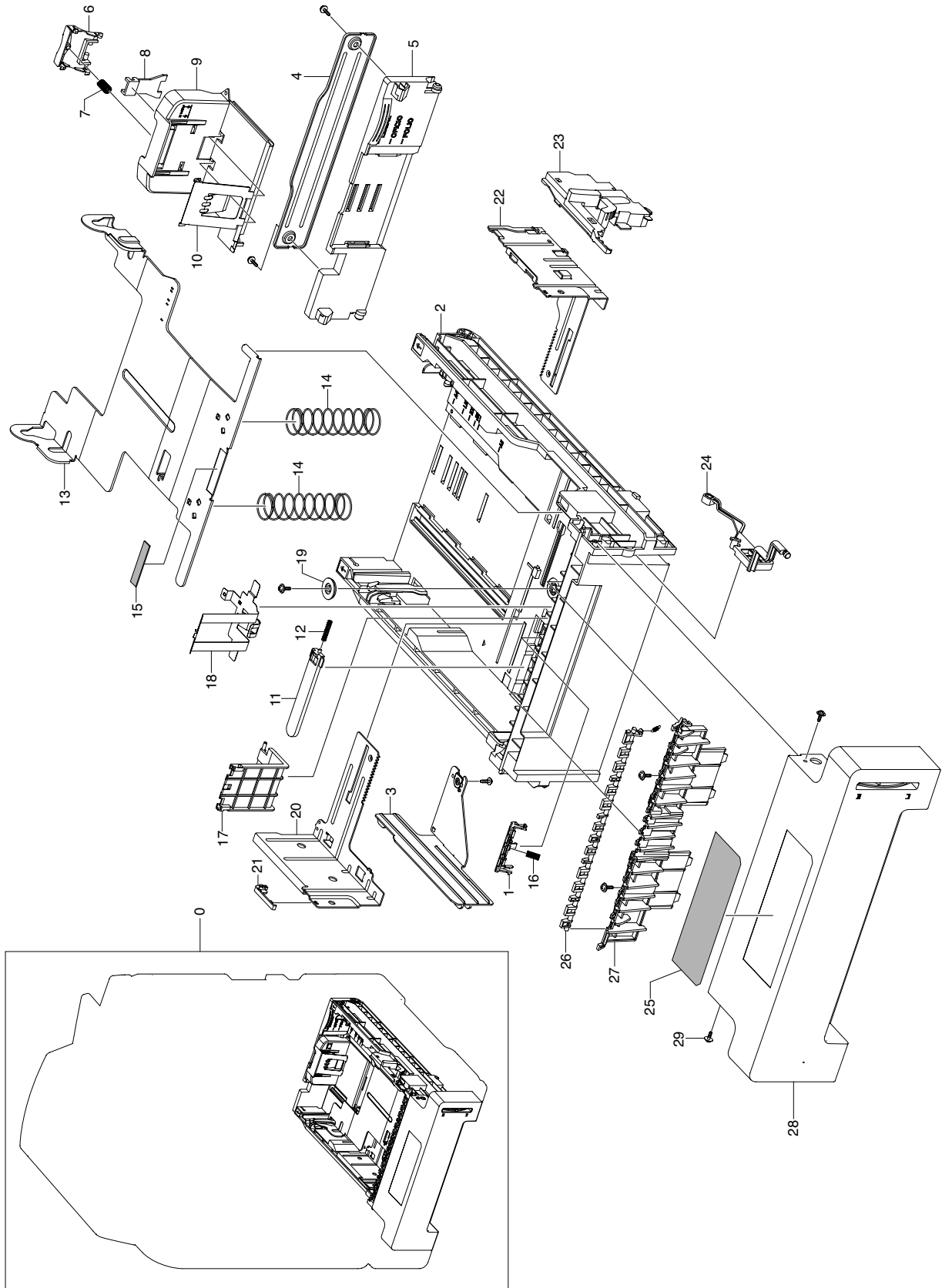


SCF Unit Parts List

SA : SERVICE AVAILABLE, SNA : SERVICE not AVAILABLE

Drawer#	SEC_Code	Description	Qt'y	*Service	*Grade	Remark
5.29-0	JC96-04957A	ELA HOU-UNIT_SCF		SNA	A	
5.29-1	JC96-04019A	ELA UNIT-IDLE_SCF	1	SA	D	
5.29-2	JC97-02233A	MEA UNIT-P/UP_HOUSING	1	SA	A	
5.29-3	JC97-02691A	MEA UNIT-GEAR_PICK_UP	1	SA	A	
5.29-4	JC81-03458A	AS-UNIT_FEED1	1	SA	A	
5.29-5	JC96-02127A	ELA HOU-CST SENSOR HAWK16	1	SA	A	
5.29-6	JC97-01401A	MEA UNIT-TERMINAL:TR	4	SA	D	
5.29-7	JC96-03956A	ELA UNIT-MOTOR SCF	1	SA	A	
5.29-8	JC96-04954A	ELA HOU-CASSETTE	1	SA	D	
5.29-9	JC66-01262A	GEAR-FEED	1	SA	D	
5.29-10	JC66-01277A	SHAFT-PICK UP_SCF	1	SA	D	
5.29-11	6044-000001	RING-CS	1	SNA	A	
5.29-12	JC61-01743A	HOLDER-PICK_UP_SCF	1	SNA	D	
5.29-13	6107-001170	SPRING-TS	1	SA	B	
5.29-14	6044-000125	RING-E	5	SNA	A	
5.29-15	JC66-01276A	SHAFT-FEED_SCF	1	SA	D	
5.29-16	JC63-01137A	GROUND-P_MOTOR_SCF	1	SNA	D	
5.29-17	JC63-01163A	SHEET-GUIDE_PATH	1	SA	D	
5.29-18	JC61-01579A	HOLDER-P-REGI	2	SNA	D	
5.29-19	JC66-10202A	BEARING-PICK UP	2	SA	D	
5.29-20	JC67-00204A	BRUSH-PICK	1	SNA	D	
5.29-21	JC63-01136A	GROUND-P_FRONT_BOTTOM	1	SNA	D	
5.29-22	JC61-40001A	FOOT-ML80	2	SA	A	
5.29-23	JC63-01140A	GROUND-P_REAR_BOTTOM	1	SNA	D	
5.29-24	JC61-01904A	PLATE-GND_REAR_TOP	1	SNA	D	
5.29-25	JC61-01903A	PLATE-GND_FRAME_SCF	1	SNA	D	
5.29-26	JC63-01141A	GROUND-P_SHAFT	1	SNA	D	
5.29-27	JC72-01355A	PMO-REMOVE_LOCK_CST	1	SA	D	
5.29-28	JC63-00675A	GROUND-P-PAPER_SIZE	1	SNA	D	
5.29-29	JC71-00042A	BAR-P_CROSS	2	SA	A	
5.29-30	JC63-00686B	COVER-M-DUMMY_SCF	1	SA	D	
5.29-31	JC70-11028A	IPR-GROUND TOP	1	SNA	D	
5.29-32	JC72-00992A	PMO-ACTUATOR EMPTY,SCF	1	SA	D	
5.29-33	0604-001095	PHOTO-INTERRUPTER	1	SA	A	
5.29-34	JC63-01539A	COVER-FRONT_SCF	1	SA	D	
5.29-35	JC63-01538A	COVER-LEFT_SCF	1	SA	D	
5.29-36	JC33-00012A	SOLENOID-MAIN	1	SA	D	
5.29-37	JC63-01537A	COVER-RIGHT_SCF	1	SA	D	
5.29-38	JC61-01902A	FRAME-SCF	1	SNA	D	
5.29-39	6003-000196	SCREW-TAPTITE	24	SA	A	

5.30 SCF Cassette



SCF Cassette Parts List

SA : SERVICE AVAILABLE, SNA : SERVICE not AVAILABLE

Drawer#	SEC_Code	Description	Qt'y	*Service	*Grade	Remark
5.30-0	JC96-04954A	ELA HOU-CASSETTE	1	SA	A	
5.30-1	JC97-02844A	MEA-UNIT HOLDER PAD	1	SNA	A	
5.30-2	JC61-01220C	FRAME-M_CASSETTE	1	SNA	D	
5.30-3	JC61-01227A	GUIDE-M-PAPER SIZE	1	SNA	D	
5.30-4	JC61-01223A	FRACKET-P-EXTENTION	1	SNA	D	
5.30-5	JC61-01224C	GUIDE-M_EXTENSION CST	1	SA	D	
5.30-6	JC64-00190B	KNOB-M_REAR	1	SNA	D	
5.30-7	JC61-00414A	SPRING ETC-GUIDE PAPER	2	SA	D	
5.30-8	JC61-00267B	GUIDE-M-LOCK A	1	SA	D	
5.30-9	JC61-01226B	GUIDEM_REAR	1	SNA	D	
5.30-10	JC61-00751A	GUIDE-P-REAR PAPER CST	1	SA	D	
5.30-11	JC72-41210A	PMO-LOCKER PLATE	1	SA	D	
5.30-12	JC61-70531A	SPRING ETC-LOCKER_PLATE	1	SNA	D	
5.30-13	JC61-01245A	PLATE-P-KNOCK UP	1	SNA	D	
5.30-14	JC61-00455A	SPRING ETC-PLATE K/UP	1	SA	D	
5.30-15	JC73-00141A	RPR-PAD CASSETTE	1	SA	A	
5.30-16	JC61-70911A	SPRING ETC-EXIT ROLL FD	1	SA	A	
5.30-17	JC61-01228A	HOLDER-M-PAD HOUSING	1	SNA	A	
5.30-18	JC63-01206A	GROUND-CASSETTE	1	SA	D	
5.30-19	JC66-40003A	GEAR-PINION	1	SNA	D	
5.30-20	JC67-01222A	GUIDE-P-SIDE_L	1	SNA	D	
5.30-21	JC67-00037A	CAP-M-GUIDE SIDE_L	1	SNA	D	
5.30-22	JC61-01244A	GUIDE-P-SIDE_R	1	SNA	D	
5.30-23	JC61-01225B	GUIDE-M_SIDE LOCK	1	SNA	D	
5.30-24	JC66-01409A	LEVER-INDICATOR_SCF	1	SNA	D	
5.30-25	JC68-01552A	LABEL-CASSETTE	1	SNA	D	
5.30-26	JC64-00268A	SHUTTER-PATH	1	SNA	D	
5.30-27	JC61-01724A	GUIDE-PAPER	1	SNA	D	
5.30-28	JC63-01306A	COVER_HANDLE	1	SNA	D	
5.30-29	6002-000440	SCREW-TAPPING	8	SNA	A	