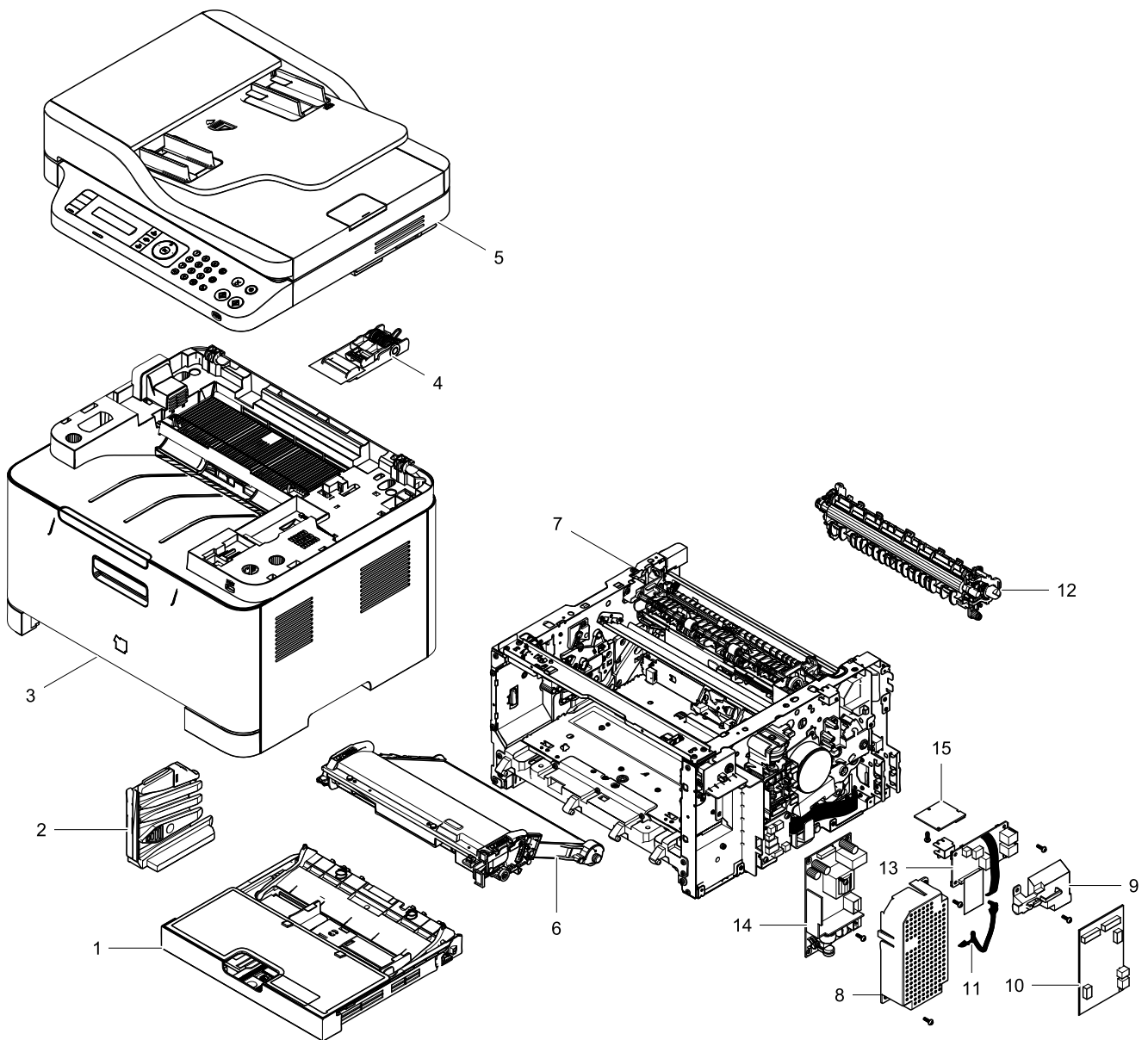


# 1. MAIN

## Exploded View



## Parts List

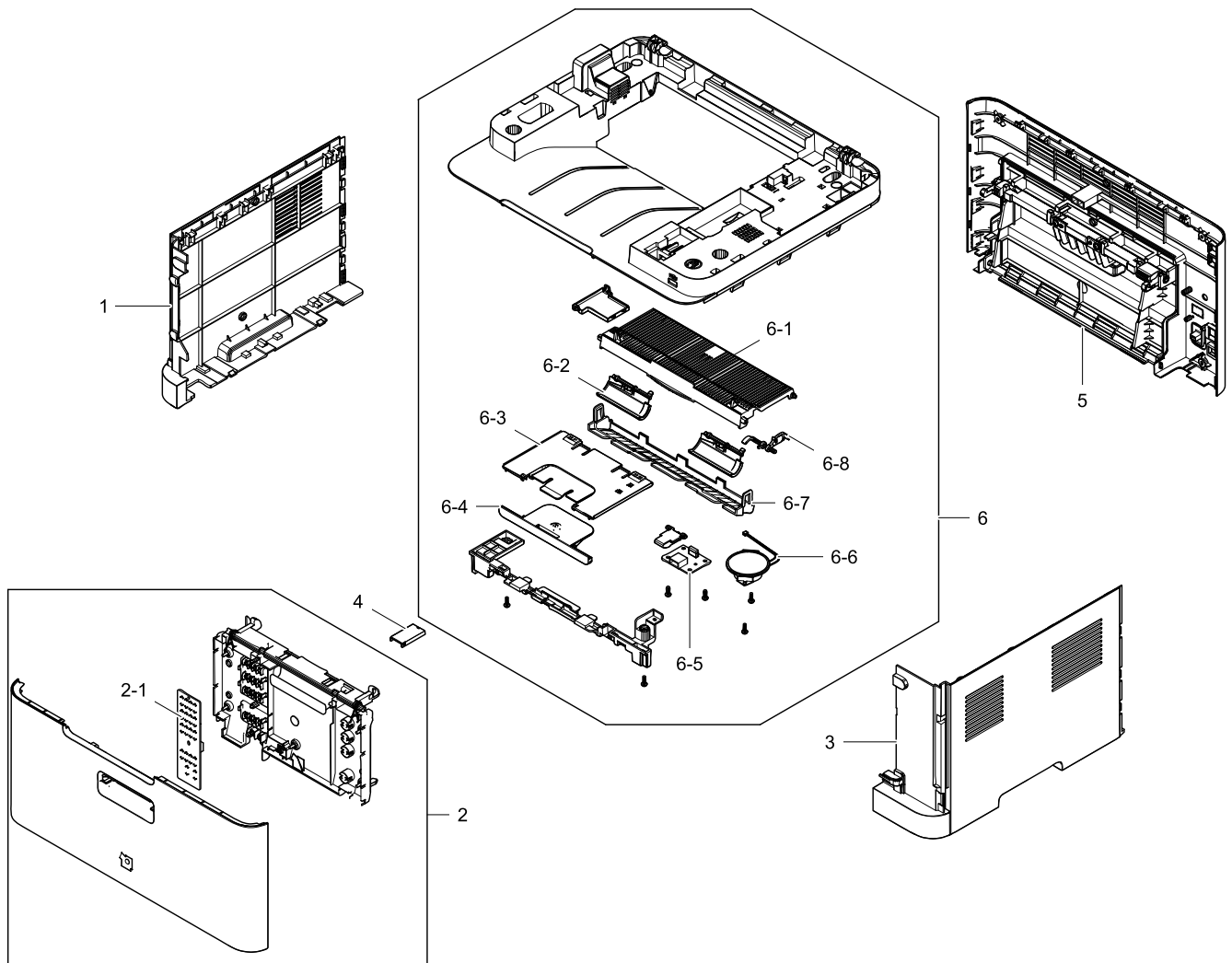
No.	Parent	Lvl.	Loc.	Material Code	Description & Specification	SNA	Qty.
1	CLX-3305FW/SEE	1		JC90-01142A	CASSETTE; CLP-365W,SEC	SA	1
2	JC98-02124F	2		JC96-06298A	CARTRIDGE-WTB; CLP-365W,SEC	SA	1
3	CLX-3305FW/SEE	1		JC95-01592A	COVER; CLX-3305FW,SEE	SNA	1
4	JC98-02124F	2		JC93-00528A	FRAME-SCANNER HINGE; SCX-3421F,SEC	SA	1
5	CLX-3305FW/SEE	1		JC97-04083A	MFA; CLX-3305FW,SEE	SA	1
6	CLX-3305FW/SEE	1		JC96-06292A	CARTRIDGE-TRANSFER; CLP-365W,SEC,WORLD	SA	1

Exploded Views and Parts List

No.	Parent	Lvl.	Loc.	Material Code	Description & Specification	SNA	Qty.
7	CLX-3305FW/SEE	1		JC93-00728C	FRAME-MAIN; CLP-365W,SEC	SNA	1
8	JC98-02124F	2		JC63-03861A	COVER-SMPS; clp-365w,ABS,2,144,76,36.4	SNA	1
9	JC98-02124F	2		JC63-03862A	COVER-FAX; CLX-3305FW,ABS,1.6T,90,53.2	SNA	1
10	CLX-3305FW/SEE	1		JC92-02484A	PBA-MAIN; CLX-3305FW,SEC,MAIN,96.75X130mm	SA	1
11	JC98-02124F	2		JC39-01868A	HARNESS-BLDC; CLP-365W,UL10272,9p,GRAY/BL	SA	1
12	CLX-3305FW/SEE	1		JC93-00708A	FRAME-TRANSFER; CLP-365	SA	1
13	CLX-3305FW/SEE	1		JC92-02303B	PBA-FAXCARD; CLX-3185FN,SEC,CX86710,Seria	SA	1
14	JC93-00728C	2		JC44-00214A	SMPS-V2; CLP-365W,Carlsen,Flyback,60W,220	SA	1
15	JC98-02124F	2		JC92-02517A	PBA-WNPC; CLP-365W,SEC,BCM4319U,SDIO,3.3V	SA	1

## 2. COVER

### Exploded View



### Parts List

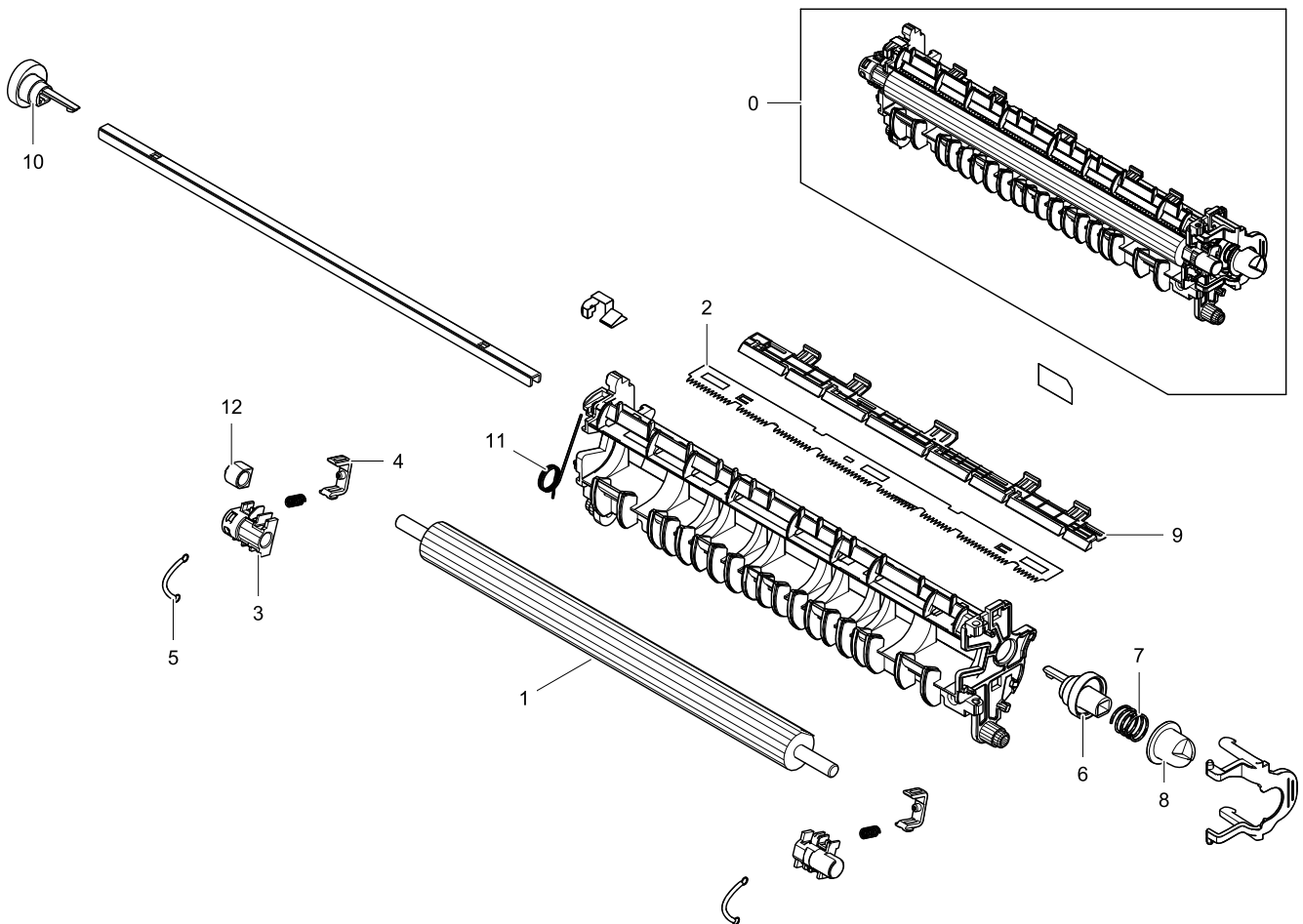
No.	Parent	Lvl.	Loc.	Material Code	Description & Specification	SNA	Qty.
1	JC95-01592A	2		JC63-03548A	COVER-LEFT; CLX-3305FW,HIPS,2.0T,309,211,	SA	1
2	JC95-01592A	2		JC95-01593A	COVER-FRONT; CLX-3305FW,SEE	SA	1
2-1	JC95-01593A	3		JC92-02498A	PBA-DEVE CRUM JOINT; CLP-360,SEC,123.5x36	SNA	1
3	JC95-01592A	2		JC63-03552A	COVER-RIGHT; CLX-3305FW,HIPS,2.0T,309,211	SA	1
4	JC95-01592A	2	H4282	JC63-01574A	COVER-CABLE; CLP-310,POM,T1.5,19.7,37.3,H	SA	1
5	JC95-01592A	2		JC95-01596A	COVER-REAR; CLX-3305FW,SEE	SA	1
6	JC95-01592A	2		JC95-01590A	COVER-MIDDLE; CLX-3305FW,SEE	SA	1

Exploded Views and Parts List

No.	Parent	Lvl.	Loc.	Material Code	Description & Specification	SNA	Qty.
6-1	JC95-01590A	3		JC63-03541A	COVER-JAM; CLX-3305FW,ABS+PC,2.0T,226.2,9	SNA	1
6-2	JC95-01590A	3	L9804	JC66-02748A	ACTUATOR-SUB STACKER; CLX-3185,PC+GF,27.4	SA	2
6-3	JC95-01590A	3		JC61-05008A	GUIDE-EXTENSION LARGE; CLX-3305FW,HIPS,2.	SNA	1
6-4	JC95-01590A	3		JC63-03542A	TRAY-ASF FOLDER; CLX-3305FW,HIPS,1.5T,145	SA	1
6-5	JC95-01590A	3	E7301	JC92-02048A	PBA-USB HOST; CLX-3170FN,SEC,-,-,-,-,45	SA	1
6-6	JC95-01590A	3	L6859	3001-002262	SPEAKER; 0.3W,8ohm,81dB,400Hz,50x16.4mm	SC	1
6-7	JC95-01590A	3		JC63-03570A	COVER-EXIT; CLX-3305FW,ABS+PC,2.0T,241,33	SNA	1
6-8	JC95-01590A	3		JC66-03362A	ACTUATOR-OUTFULL; CLX-3305FW,PC,VO,BLACK,	SA	1

### 3. FRAME-TRANSFER

#### Exploded View



#### Parts List

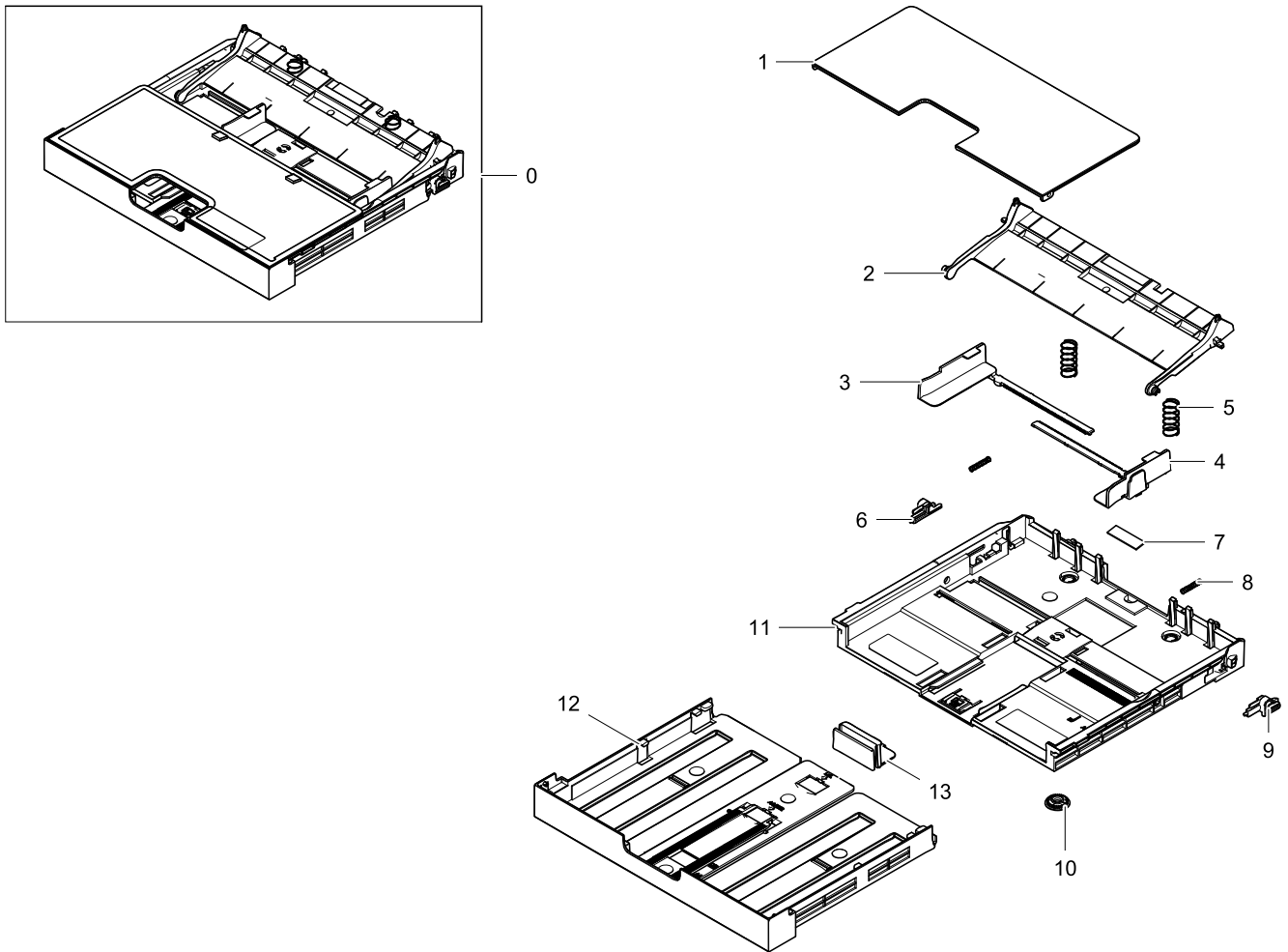
No.	Parent	Lvl.	Loc.	Material Code	Description & Specification	SNA	Qty.
0	CLX-3305FW/SEE	1		JC93-00708A	FRAME-TRANSFER; CLP-365	SA	1
1	JC93-00708A	2		JC66-03353A	ROLLER-TRANSFER; CLP-365W,NBR(ECO),6,218,	SA	1
2	JC93-00708A	2	D1171	JC70-10232A	IPR-PLATE SAW; ML-80,SUS304 CSP 1/2H,T0.1	SNA	1
3	JC93-00708A	2		JC61-05658A	HOLDER-SHAFT L; CLP-365,POM,2.0,16,23,WHI	SNA	1
4	JC93-00708A	2		JC61-05655A	HOLDER-TR CAM; CLP-365,HIPS,2,11,16,BLACK	SNA	2
5	JC93-00708A	2		6107-001542	SPRING-ES; SWP,PI0.45,L34.1,ID3,OD3.9	SNA	2
6	JC93-00708A	2		JC66-03789A	CAM-TR R; CLP-365,POM,2.0,30,WHITE,HB	SNA	1
7	JC93-00708A	2		6107-003276	SPRING-CS; SWP B,0.9,12,12.1,FREE	SNA	1

## Exploded Views and Parts List

No.	Parent	Lvl.	Loc.	Material Code	Description & Specification	SNA	Qty.
8	JC93-00708A	2		JC67-00671A	COUPLER-TR; CLP-365,POM,13,WHITE	SNA	1
9	JC93-00708A	2		JC61-04156A	HOLDER-SAW PLATE; CLP-325,HIPS,1.2,9.6,21	SNA	1
10	JC93-00708A	2		JC66-03788A	CAM-TR L; CLP-365,POM,2,20,WHITE,HB	SNA	1
11	JC93-00708A	2		6107-003280	SPRING-TS; SUS304,0.8,25/16,8,RIGHT	SNA	1
12	JC93-00708A	2		JC61-04944A	HOLDER-CHARGE; CLP-360,BRONZE-SINTERED	SNA	1

## 4. CASSETTE

### Exploded View



### Parts List

No.	Parent	Lvl.	Loc.	Material Code	Description & Specification	SNA	Qty.
0	CLX-3305FW/SEE	1		JC90-01142A	CASSETTE; CLP-365W,SEC	SA	1
1	JC90-01142A	2		JC63-03487A	COVER-CASSETTE; CLP-360,HIPS,GRAY	SNA	1
2	JC90-01142A	2		JC61-04940A	PLATE-KNOCKUP; CLP-360,HIPS,GRAY,GUIDE SU	SA	1
3	JC90-01142A	2		JC61-04937A	GUIDE-ADJUST CASSETTE L; CLP-360,HIPS,GRA	SNA	1
4	JC90-01142A	2		JC61-04936A	GUIDE-ADJUST CASSETTE R; CLP-360,HIPS,GRA	SNA	1
5	JC90-01142A	2	G1521	6107-001240	SPRING-CS; SUS304-WPB,GROUND END,PI0.6,D1	SA	2
6	JC90-01142A	2	B1072	JC61-02127A	GUIDE-KNOCKUP L; SCX-4500,POM,35.0,14.1,9	SA	1

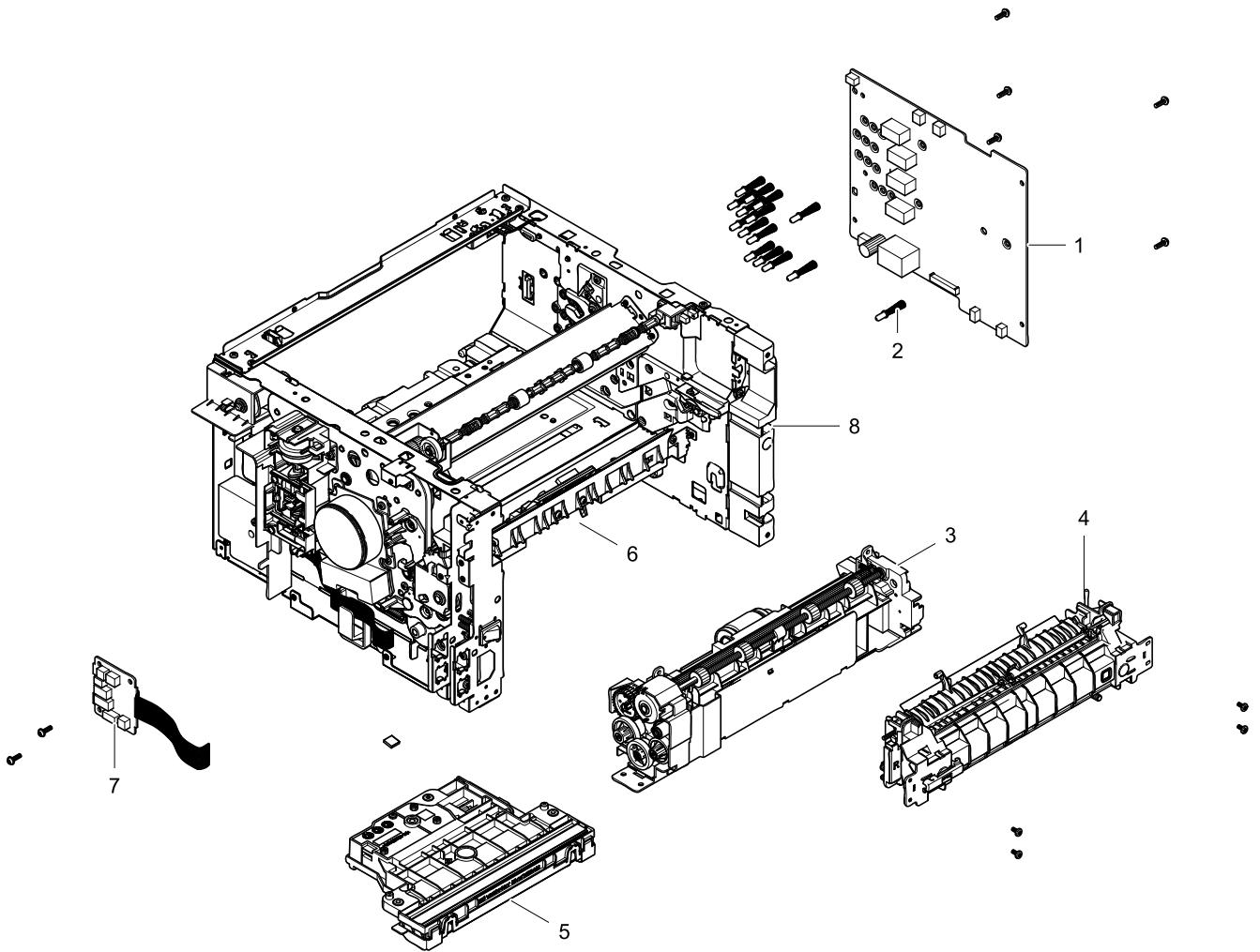
Exploded Views and Parts List

No.	Parent	Lvl.	Loc.	Material Code	Description & Specification	SNA	Qty.
7	JC90-01142A	2		JC73-00322B	RUBBER-PAD_FRICTION; ML-1660,EPDM,1.0,47*	SNA	1
8	JC90-01142A	2	G1358	JG61-70531A	SPRING ETC-LOCKER,PLATE; SF6000,SUS304WPB	SA	2
9	JC90-01142A	2	B1073	JC61-02128A	GUIDE-KNOCKUP R; SCX-4500,POM,35.0,14.1,9	SA	1
10	JC90-01142A	2		JC66-03004A	GEAR-PINION; ML-2950ND,POM,0.5,32,3.9,WHI	SNA	1
11	JC90-01142A	2		JC61-04951A	FRAME-SEMI CASSETTE; CLP-360,HIPS,GRAY,CA	SNA	1
12	JC90-01142A	2		JC61-04935A	SUPPORT-CASSETTE EXTENSION; CLP-360,HIPS,	SNA	1
13	JC90-01142A	2		JC61-04934A	STOPPER-PAPER REAR; CLP-360,HIPS,GRAY	SNA	1



## 5. FRAME-MAIN

### Exploded View

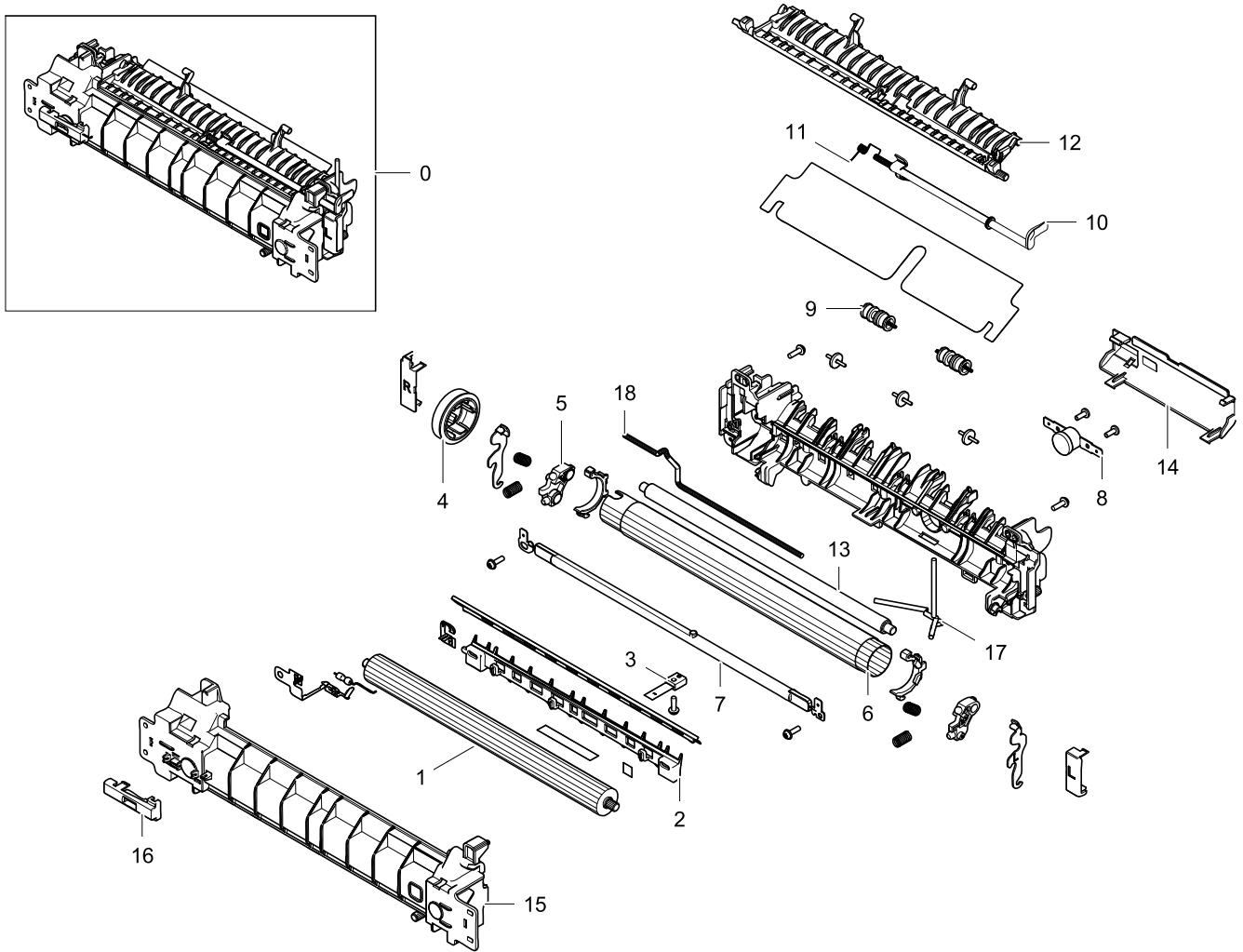


### Parts List

No.	Parent	Lvl.	Loc.	Material Code	Description & Specification	SNA	Qty.
1	JC93-00728C	2		JC44-00215A	HVPS; 24V,21.6V~27.6V,MAX 5KV,MAX-2KV,600	SA	1
2	JC93-00728C	2		JC93-00734A	FRAME-TERMINAL; CLP-365W,SEC	SNA	15
3	JC93-00728C	2		JC93-00547A	FRAME BASE-PAPER PATH; CLP-365W,SEC	SNA	1
4	JC93-00728C	2		JC91-01080A	FUSER; CLP-365W,SEC,WORLD,220V	SA	1
5	JC93-00728C	2		JC97-04058A	LSU; CLP-365W,SEC,Single,A4(Ltr),600,S2,7	SA	1
6	JC93-00728C	2		JC93-00729B	FRAME; CLX-3305W,SEC	SNA	1
7	JC93-00728C	2		JC92-02489A	PBA-CONNECTOR; CLP-365W,SEC,CONNECTION,45	SNA	1
8	JC98-02124F	2		JC61-04961A	FRAME-DUMMY MFP; CLX-3305FW,HIPS,FG-1790,	SNA	1

# 5.1. FUSER

## Exploded View



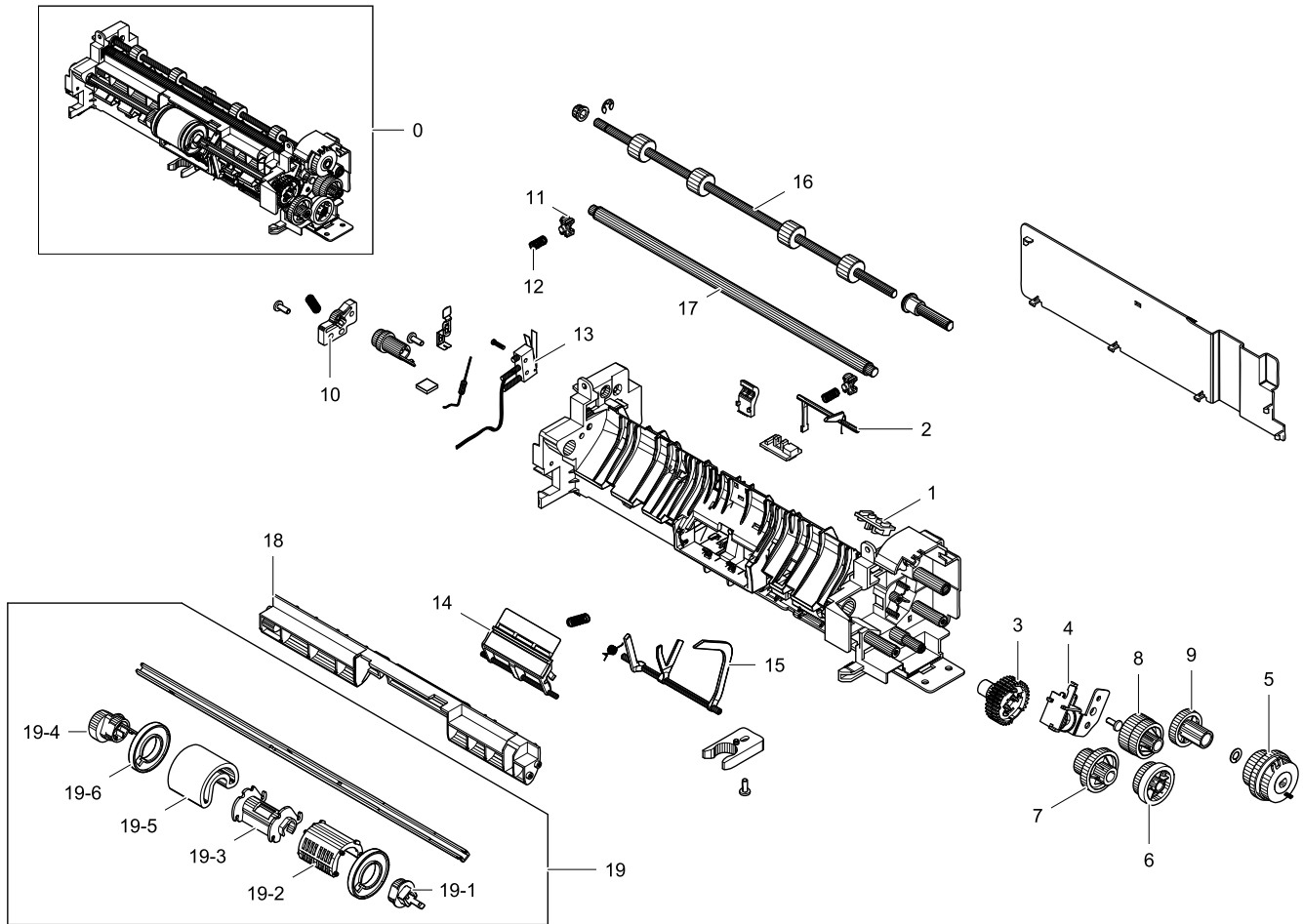
## Parts List

No.	Parent	Lvl.	Loc.	Material Code	Description & Specification	SNA	Qty.
0	JC93-00728C	2		JC91-01080A	FUSER; CLP-365W,SEC,WORLD,220V	SA	1
1	JC91-01138A	4	L9622	JC66-02716B	ROLLER-PRESSURE; ML-1660,SUM22,6,237.5,BL	SA	1
2	JC91-01138A	4		JC61-04989A	GUIDE-INPUT; CLP-365W,PET+GF,LV2550GN30,P	SNA	1
3	JC91-01138A	4		1404-001740	THERMISTOR-NTC ASSY; 7Kohm,3370K,0.3mW/C,	SNA	1
4	JC91-01138A	4		JC66-03355A	GEAR-FUSER; CLP-365W,PPS,1,34,BROWN,36,13	SNA	1
5	JC91-01138A	4		JC61-04984A	BUSH-PR R; CLP-365W,PPS,29.5,BLACK,SEC,RB	SNA	1
6	JC91-01138A	4		JC66-03326A	ROLLER-HEAT; CLP-360,SILICON,24.3,RED,ETC	SNA	1

No.	Parent	Lvl.	Loc.	Material Code	Description & Specification	SNA	Qty.
7	JC91-01138A	4		4713-001662	LAMP-HALOGEN; 230V,850W	SNA	1
8	JC91-01138A	4		4712-001091	THERMOSTAT; AC125/250V,195+-5100	SNA	1
9	JC91-01138A	4	L7112	JC61-02423A	SPRING ETC-EXIT; CLP-310,SUS304 WPB,PI0.3	SA	2
10	JC91-01138A	4		JC66-03359A	ACTUATOR-EXIT; CLP-365W,PA,BLACK,ACTUATOR	SNA	1
11	JC91-01138A	4	L7540	6107-001507	SPRING-TS; SUS304,NATURAL,PI0.25,W5.3,ID4	SA	1
12	JC91-01138A	4		JC61-04990A	GUIDE-OUTPUT; CLP-365W,PET+GF,41.1,GF30%,	SNA	1
13	JC91-01138A	4		JC66-03871A	ROLLER-PRESSURE SHAFT; CLP-365W,SUM22,6,2	SNA	1
14	JC91-01138A	4		JC63-03522A	COVER-UPPER; CLP-365W,PC,SEC,NH-1035	SNA	1
15	JC91-01138A	4		JC61-04987A	FRAME-LOWER; CLP-365W,PET+GF,LV2550GN30,B	SNA	1
16	JC91-01138A	4		JC67-00674A	CAP-RESISTOR; CLP-365W,PC,46,14.7	SNA	1
17	JC91-01138A	4	H2699	JC39-00521A	CBF HARNESS-FUSER REC; SCX-5530FN,CBF,UL3	SA	1
18	JC91-01138A	4		JC39-01701A	HARNESS-FUSER AC; CLP-365W,UL3398,2p,BLK,	SNA	1

## 5.2. FRAME BASE-PAPER PATH

### Exploded View



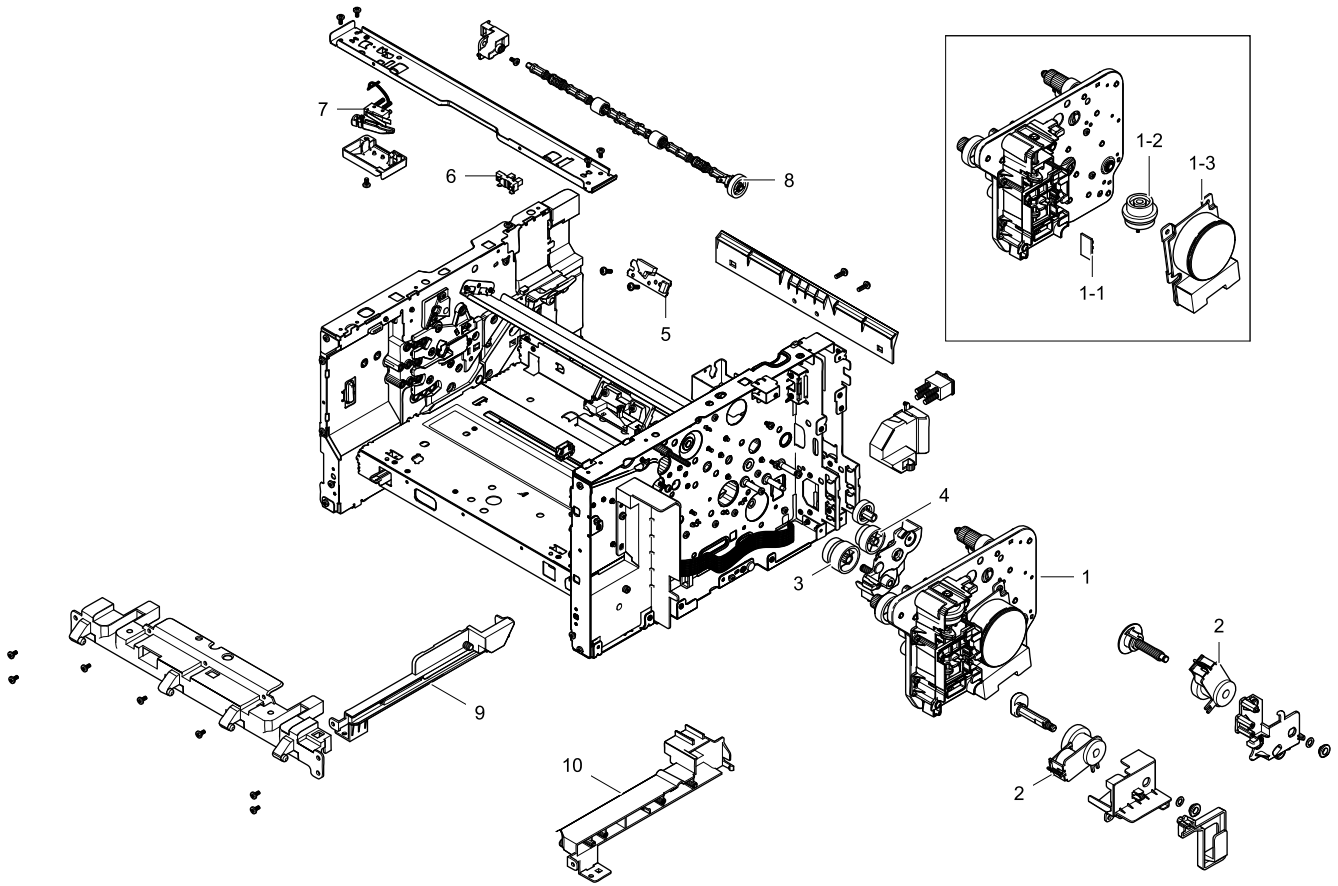
### Parts List

No.	Parent	Lvl.	Loc.	Material Code	Description & Specification	SNA	Qty.
0	JC93-00728C	2		JC93-00547A	FRAME BASE-PAPER PATH; CLP-365W,SEC	SNA	1
1	JC93-00547A	3		JC98-01960A	BOARD-EMPTY SENSOR; CLP-360W,SEC,Photo-In	SNA	1
2	JC93-00547A	3		JC66-03321A	ACTUATOR-FEED; CLP-360,PC+GF,BLACK,ACTUAT	SA	1
3	JC93-00547A	3		JC93-00549A	DRIVE-PICK UP; CLP-365W,SEC	SA	1
4	JC93-00547A	3	L6828	JC33-00025B	SOLENOID-MANUAL; SCX-5135ND,DC 24V,120ohm	SA	1
5	JC93-00714A	5		JC47-00033C	CLUTCH-ELECTRIC; CLP-365W,DC24V,125mA,Z36	SA	1
6	JC93-00547A	3		JC66-03824A	GEAR-RDCN PH 3; CLP-365W,POM,M0.8 / M0.6,	SNA	1
7	JC93-00547A	3		JC66-03825A	GEAR-RDCN PICK-UP; CLP-365W,POM,M0.6 / M0	SNA	1

No.	Parent	Lvl.	Loc.	Material Code	Description & Specification	SNA	Qty.
8	JC93-00547A	3		JC66-03826A	GEAR-RDCN REGI; CLP-365W,POM,M0.6 / M0.6,	SNA	1
9	JC93-00547A	3		JC66-03813A	GEAR-IDLE REGI; CLP-365W,POM,M0.6,Z35,OD2	SNA	1
10	JC93-00547A	3	C5143	JC61-01548A	HOLDER-M-CAM; CLP-300,POM (DE8903),18.5,2	SA	1
11	JC93-00547A	3		JC61-05049A	HOLDER-SHAFT IDLE; CLP-365W,POM,NATURAL	SNA	2
12	JC93-00547A	3	L7445	6107-001309	SPRING-CS; SWP-B,PI0.5,L10,ID4.0,OD5.0	SA	2
13	JC93-00547A	3		JC39-01704A	HARNES-COVER S/W; CLP-365W,UL10272,2p,BL	SA	1
14	JC93-00547A	3		JC93-00555A	FRAME BASE-HOLDER PAD; CLP-365W,SEC	SNA	1
15	JC93-00547A	3		JC66-03322A	ACTUATOR-EMPTY; CLP-360,PC+GF,BLACK,ACTUA	SA	1
16	JC93-00547A	3		JC66-03317A	ROLLER-REGI; CLP-360,SUM22+NiPlate,6,ETC	SA	1
17	JC93-00547A	3	L5894	JC66-01120A	SHAFT-FEED IDLE; CLP-300,SUM22 OR SUM23 +	SNA	1
18	JC93-00547A	3		JC61-05648A	GUIDE-PATH LOWER; CLP-365W,HIPS,1.5,20,22	SNA	1
19	JC93-00547A	3		JC93-00553A	FRAME BASE-PICK UP; CLP-365W,SEC	SNA	1
19-1	JC93-00553A	4	G1665	JC61-01714A	STOPPER-PICK_UP L; ML-2571N,POM,D17,20,NA	SA	1
19-2	JC93-00553A	4		JC61-04120A	HOUSING-PICKUP A; CLP-325,ABS+PC,1.0,28,1	SNA	1
19-3	JC93-00553A	4	C5342	JC61-02389A	HOUSING-PICKUP B; CLP-310,POM F20-02,1.0,	SA	1
19-4	JC93-00553A	4		JC66-03786A	CAM-CTD; CLP-365W,POM,1.2,NATURAL,Right	SNA	1
19-5	JC93-00553A	4		JC73-00309A	RUBBER-PICK_UP; CLP-310,EPDM,27.0,30.5,37	SA	1
19-6	JC93-00553A	4	F8944	JC66-01253A	ROLLER-PICK_UP IDLE; ML-2571N,POM,31.2,BL	SA	2

### 5.3. FRAME

#### Exploded View



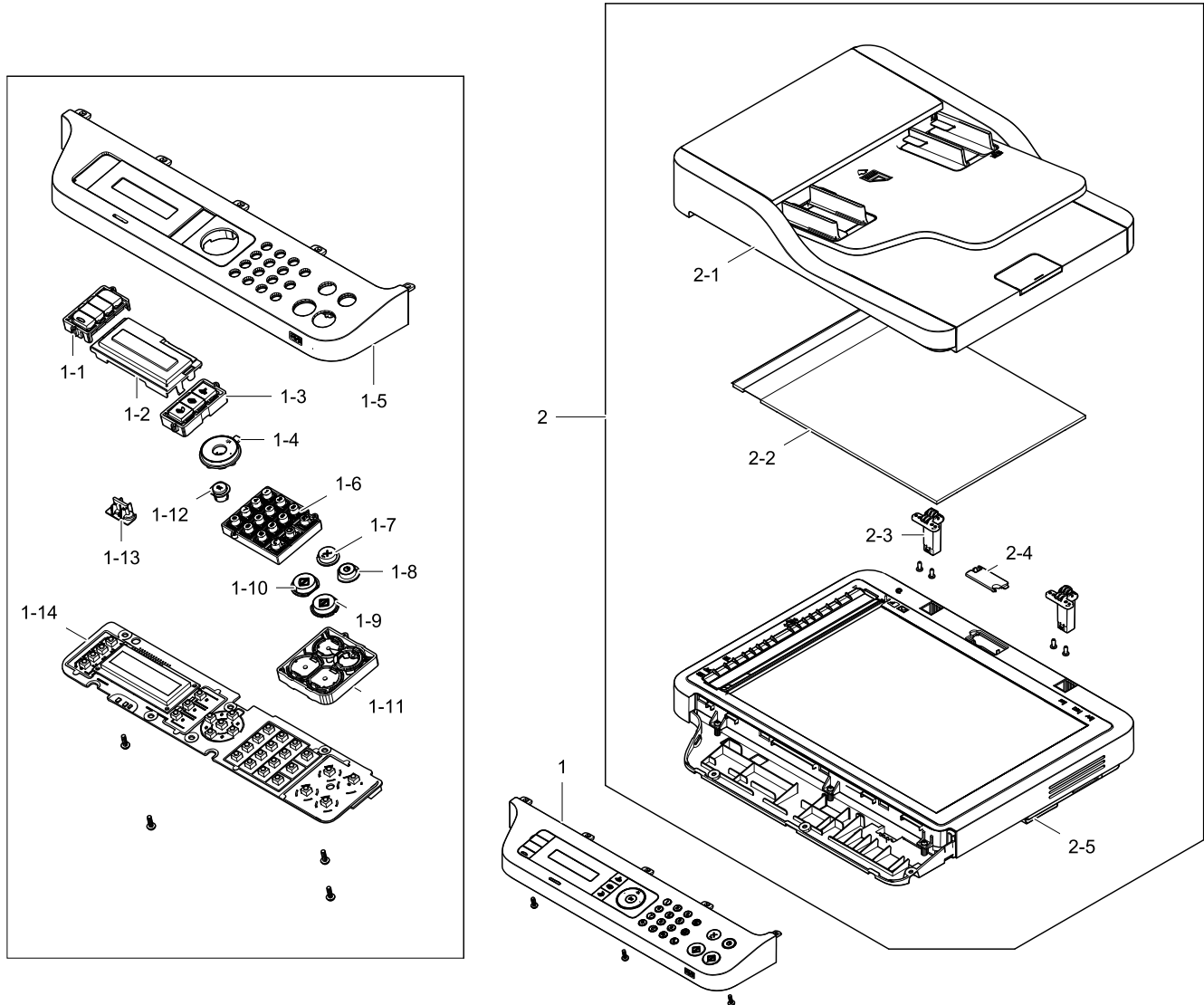
#### Parts List

No.	Parent	Lvl.	Loc.	Material Code	Description & Specification	SNA	Qty.
1	JC93-00736B	4		JC93-00714A	DRIVE; CLP-365W,SEC,WORLD	SNA	1
1-1	JC93-00714A	5	K4920	JC92-01986A	PBA SUB-DEVEHOME; CLP-310,SEC,SEC,FR-1,1L	SA	1
1-2	JC93-00714A	5		JC47-00033C	CLUTCH-ELECTRIC; CLP-365W,DC24V,125mA,Z36	SA	1
1-3	JC93-00714A	5		JC31-00165A	MOTOR BLDC-BT6; 430 ~ 2400 rpm,DC 24V,2.0	SA	1
2	JC93-00729B	3	H3697	JC47-00007F	CLUTCH-ITB CAM; CLP-310,DC24V,0.133A,3.5k	SA	2
3	JC93-00729B	3		JC66-03829A	GEAR-RDCN PH 2; CLP-365W,POM,M0.5 / M0.8,	SNA	1
4	JC93-00729B	3		JC66-03828A	GEAR-RDCN T2 CAM; CLP-365W,POM,M0.5 / M0.	SNA	1
5	JC93-00733A	4		JC32-00014A	SENSOR-SENSOR-CTD; SENSOR-CTD,0 ~ 60,5V,6	SA	1
6	JC93-00730A	4	L9633	0604-001415	PHOTO-INTERRUPTER; TR,DIP-4,BK	SA	1

No.	Parent	Lvl.	Loc.	Material Code	Description & Specification	SNA	Qty.
7	JC93-00732A	4		JC39-01704A	HARNESS-COVER S/W; CLP-365W,UL10272,2p,BL	SA	1
8	JC93-00729B	3		JC91-01078A	FUSER-ROLLER EXIT; CLP-360,SEC,WORLD	SA	1
9	JC93-00729B	3		JC61-05650A	GUIDE-CASSETTE L; CLP-365W,HIPS,1.5,33.86	SNA	1
10	JC93-00729B	3		JC61-05649A	GUIDE-CASSETTE R; CLP-365W,HIPS,1.5,35.85	SNA	1

# 6. MFA

## Exploded View



## Parts List

No.	Parent	Lvl.	Loc.	Material Code	Description & Specification	SNA	Qty.
1	JC97-04083A	2		JC97-04069A	OPE; CLX-3305FW,SEE	SA	1
1-1	JC97-04069A	3		JC64-00772E	KEY-FUNCTION; CLX-3305FW,ABS,47.63*28.8,2	SA	1
1-2	JC97-04069A	3		JC63-03571A	COVER-LCD; CLX-3305FW,PC,2.4T,86.35,40.32	SA	1
1-3	JC97-04069A	3		JC64-00765A	KEY-FAX; CLX-3305FW,ABS,50.34*26.46,2.0T,	SNA	1
1-4	JC97-04069A	3		JC64-00766A	KEY-MENU; CLX-3305FW,ABS,29.93,1.5T,SPLIT	SNA	1
1-5	JC97-04069A	3		JC63-03553A	COVER-OPE; CLX-3305FW,HIPS,2.5T,363.65,86	SA	1



No.	Parent	Lvl.	Loc.	Material Code	Description & Specification	SNA	Qty.
1-6	JC97-04069A	3		JC64-00774A	KEY-TEL; CLX-3305FW,ABS,62.9*53.11,2.0T,S	SNA	1
1-7	JC97-04069A	3		JC64-00813A	KEY-STOP; CLP-680ND,ABS,18,BLACK	SNA	1
1-8	JC97-04069A	3		JC64-00812A	KEY-POWER; CLP-680ND,ABS,15,BLACK	SNA	1
1-9	JC97-04069A	3		JC64-00820A	KEY-START-COLOR; CLX-6260ND,ABS,22,BLACK	SNA	1
1-10	JC97-04069A	3		JC64-00819A	KEY-START-BLACK; CLX-6260ND,ABS,22,BLACK	SNA	1
1-11	JC97-04069A	3		JC63-03846A	COVER-KEY HOLDER; CLX-3305FW,HIPS,2.0T,55	SA	1
1-12	JC97-04069A	3		JC64-00757A	KEY-OK; CLX-3305FW,ABS,11.04,2.0T,SPLIT B	SNA	1
1-13	JC97-04069A	3		JC64-00775A	INDICATOR-LED STATUS W; CLX-3305FW,ABS+PC	SNA	1
1-14	JC97-04069A	3		JC92-02497B	PBA-OPE; CLX-3305FN,SEC,STM8S,UART,5V,308	SA	1
2	JC97-04083A	2		JC97-04185A	SCANNER; CLX-3305FW,SEE	SNA	1
2-1	JC97-04185A	3		JC97-04067A	ADF; CLX-3305FW,SEC,SSDP,FG-1790,2.4,BROW	SA	1
2-2	JC97-04185A	3	L8658	JC63-02569A	SHEET-WHITE; FIT,PP,3.6,216,250.2,White,9	SA	1
2-3	JC97-04185A	3	D9329	JC97-03191A	MEA UNIT-HINGE L; CLX-3170,SEC	SA	2
2-4	JC97-04185A	3		JC63-03545A	COVER-CONNECTOR; CLX-3305FW,HIPS,2.2T,43,	SNA	1
2-5	JC97-04185A	3		JC97-04070A	PLATEN; CLX-3305FW,SEE	SA	1

## **6.1. PLATEN\_Vt**

---

**Exploded View**

**Parts List**