

8. Exploded Views and Parts List (CLP-650/XEU)

Contents

8.1	Main	8-2
8.2	Front Cover	8-5
8.3	Top Cover	8-7
8.4	Right Cover	8-9
8.5	Base Frame	8-11
8.6	Main Frame	8-13
8.7	Fuser	8-16
8.8	Main Drive	8-19
8.9	MPF	8-21
8.10	Pick Up	8-23
8.11	Guide Paper	8-25
8.12	Cassette Unit	8-27
8.13.	Cassette(SCF)	8-29
8.14.	SCF	8-31
8.15.	Guide Upper(SCF)	8-33
8.16.	Guide Lower(SCF)	8-35

Part Number & Description format.

Part numbers and descriptions are defined according to a company standard. The information below will help you to understand the part number format and assist when ordering spare parts.

• There are two types of Part number format.

●●●●●-●●●●●●●●	ex) 2007-007961	R-CHIP
■●●●●-●●●●●■	ex) JB96-01268A	ELA UNIT-COVER TOP

It shows part specific

(● : number ■ : letter)

Type 1 : This format is used throughout Samsung on all product ranges. Typically it is used for small components and electronic parts.

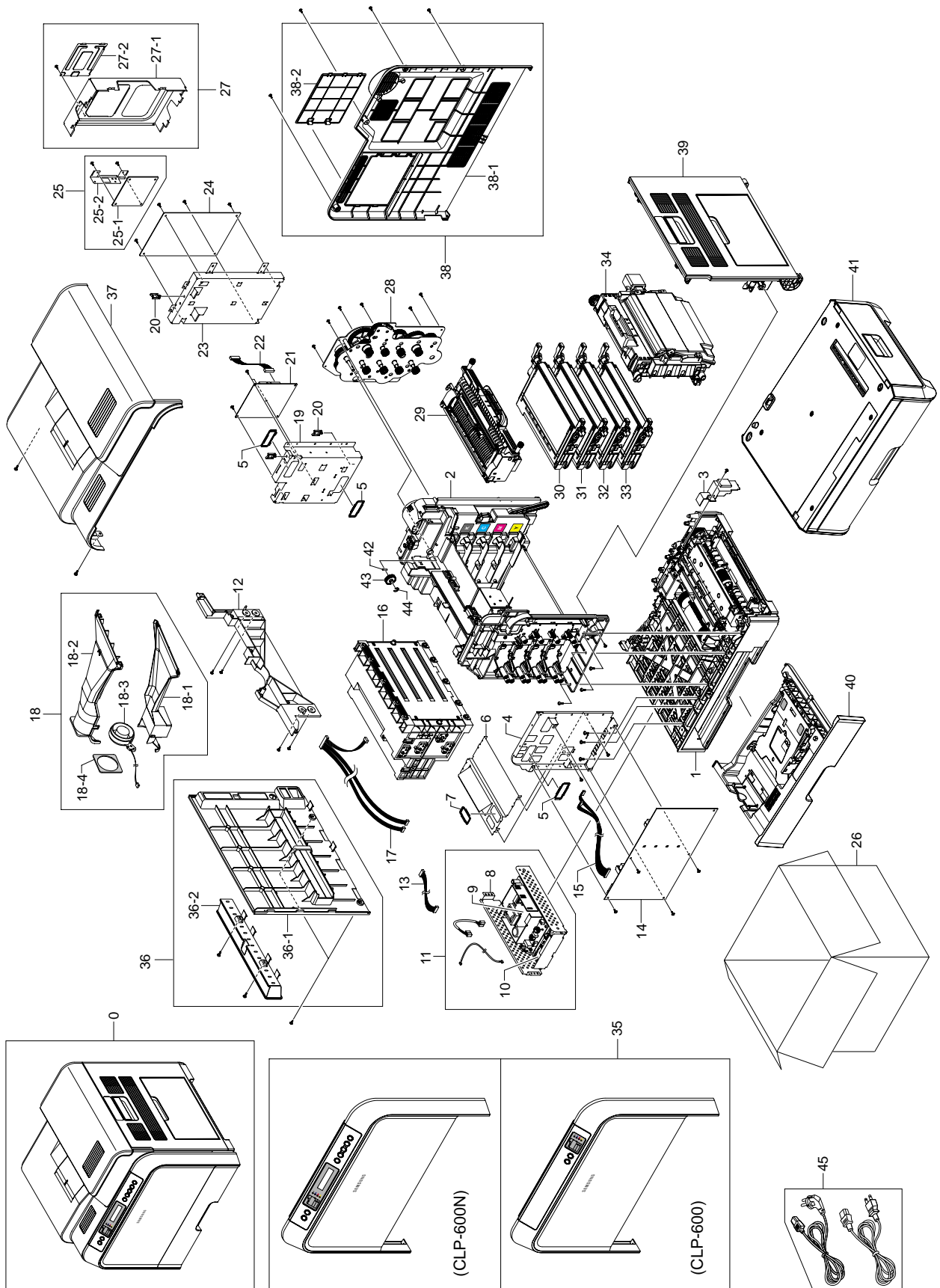
Type 2 : This format is controlled by individual Samsung Divisions and is used on specific products, typically for mechanical parts. Type 2 format part numbers fall into 2 categories:

- **A/S privately used part** : It is only used for A/S .
- **Ass'y part** : Assemblies consisting of 2 or more parts. Also used for Service manuals, user guides and diagrams.

• Ass'y parts and A/S privately used Parts can be distinguished by the part Code and Description. They are always Type 2 format. The 2 leading characters indicate private or assembly parts.

DIVISION	PART CODE	DESCRIPTION
A/S Private	**81-***** (JB81-00039A)	AS-***** (AS-USE)
ASS'Y Part	**75-***** (JB75-00068A)	MEC-***** (MEC-CHUTE)
ASS'Y Part	**92-***** (JB92-01131A)	PBA ***** (PBA MAIN-CONTROLLER)
ASS'Y Part	**97-***** (JB97-01089A)	MEA ***** (MEA UNIT-PULLEY IDLE)

8.1 Main



Main Parts List

SA : Service Available

O : Service available X : Service not available

No.	SEC.Code	Description	SA	Remark
7.1-1	JC97-02187A	MEA UNIT-FRAME BASE;CLP-600,SEC,EXPORT,-	M0013	SNA
7.1-2	JC97-02151A	MEA UNIT-FRAME MAIN;CLP-600,SEC,EXPORT,-	M0015	SNA
7.1-3	JC63-00585A	COVER-_M_GEAR;CLP-600,HIPS,T2.0,W37.1,L9	C0031	SA
7.1-4	JC61-01002A	FRAME-P-FRONT;CLP-600,SECC,-,-,T1.0,W2	F0012	SNA
7.1-5	JC61-01012A	GUIDE-_M_BUSH HARNESS S;CLP-600,ABS,2.0,	G0039	SNA
7.1-6	JC61-01004A	FRAME-P-BOTTOM;CLP-600,SECC,-,-,T1.0,W	F0011	SNA
7.1-7	JC61-01046A	BRACKET-P-MPF;CLP-600,SECC,T1.2,W46.5,L2	B0015	SNA
7.1-8	JC61-00998A	BRACKET-P-SHIELD SMPS;CLP-600,SECC,T1.0,	B0018	SNA
7.1-9	JC44-00100A	SMPS-PSP_TYPE5_V2C(AC 220V)	S0014	SNA
7.1-9	JC44-00093A	SMPS-PSP_TYPE5_V1(AC 110V)	S0014	SNA
7.1-10	JC44-00105A	SMPS-FUSER SUB B'D-V2(AC 220V)	S0013	SA
7.1-10	JC44-00104A	SMPS-FUSER SUB B'D-V1(AC 110V)	S0013	SA
7.1-11	JC96-03986A	ELA UNIT-SMPS 220V;CLP-600,SEC,EXPORT,-,	E0020	SA
7.1-11	JC96-03371A	ELA UNIT-FRAME SMPS(AC 110V)	E0020	SA
7.1-12	JC61-01018A	HOUSING-_M_MIDDLE PART;CLP-600,HIPS,HB,2	H0023	SA
7.1-13	JC39-00418A	CBF HARNESS-MAIN_SMPS;CLP-600,CBF HARNES	C0017	SA
7.1-14	JC44-00098A	HVPS-DAVINCI;-24V,21.6V~27.6V,-,MAX 5KV	H0027	SA
7.1-16	JC59-00022A	UNIT-LSU DAVINCI;CLP-600,-,-,COLOR 16PPM	U0001	SA
7.1-18	JC96-03437A	ELA UNIT-DUCT LEFT;CLP-600,SEC,EXPORT,-,	E0012	SA
7.1-18-1	JC67-00072A	DUCT-_M_FUSER LOWER;CLP-600,ABS,V0,T2.0,	D0002	SNA
7.1-18-2	JC67-00073A	DUCT-_M_FUSER UPPER;CLP-600,ABS,V0,T2.0,	D0003	SNA
7.1-18-3	JC31-00012C	FAN-DC INVERTER;AD0624HS-A76GL,(SCX-6345		SA
7.1-18-4	JC72-01368A	SPONGE-DUCT;CLP-600,POLYESTERE FOAM,-,T2	S0017	SNA
7.1-19	JC61-01003A	FRAME-P-REAR;CLP-600,SECC,-,-,T1.0,W22	F0013	SNA
7.1-20	6502-001093	CABLE CLAMP;DAWS-3NE,ID11*L34.8,-,NYLON6	C0002	SA
7.1-21	JC92-01659A	PBA SUB-DRIVER;CLP-600,SEC,KOREA,DRIVER,	P0003	SA
7.1-22	JC39-00426A	CBF HARNESS-DRIVER;CLP-600,CBF HARNESS,U	C0010	SA
7.1-23	JC61-00991A	BRACKET-P-CONT LOWER;CLP-600,SECC,T0.8,W	B0006	SA
7.1-24	JC92-01759A	PBA MAIN-PDL;CLP-650,SEC,KOREA,230*165*1		SA
7.1-25	JC96-03588A	ELA HOU-NPC3_HIGH;CLP-600,SAMSUNG,NPC3,1	E0003	SA
7.1-25-1	JC92-01672A	PBA SUB-NPC3_HIGH;ML-3560	P0008	SA
7.1-25-2	JC61-00809A	BRACKET-_M_NPC;MLC-500,SECC,T0.8,-,-,-	B0005	SNA
7.1-26	*	BOX(P)-MAIN(CLP-600N/SEE:JC69-00737F)		SA
7.1-27	JC97-02400A	MEA UNIT-BRKT CONN;CLP-600,SEC,EXPORT,-,	M0007	SA
7.1-27-1	JC70-10234A	IPR-SHIELD SIMM;ML-80,SECC,-,T0.5,-,-,-	I0004	SA
7.1-27-2	JC61-00992A	BRACKET-P-CONT UPPER;CLP-600,SECC,T0.5,W	B0007	SNA
7.1-28	JC96-03369A	ELA UNIT-DRIVE MAIN;CLP-600,SEC,EXPORT,-	E0011	SA
7.1-29	JC96-03967A	ELA UNIT-FUSER 220V;CLP-600,SEC,EXPORT,-	E0015	SA
7.1-29	JC96-03370A	ELA UNIT-FUSER 110V;CLP-600,SEC,EXPORT,-	E0015	SA
7.1-30	*	ELA UNIT-DEVE BK_SET		SNA
7.1-31	*	ELA UNIT-DEVE C_SET		SNA
7.1-32	*	ELA UNIT-DEVE M_SET		SNA

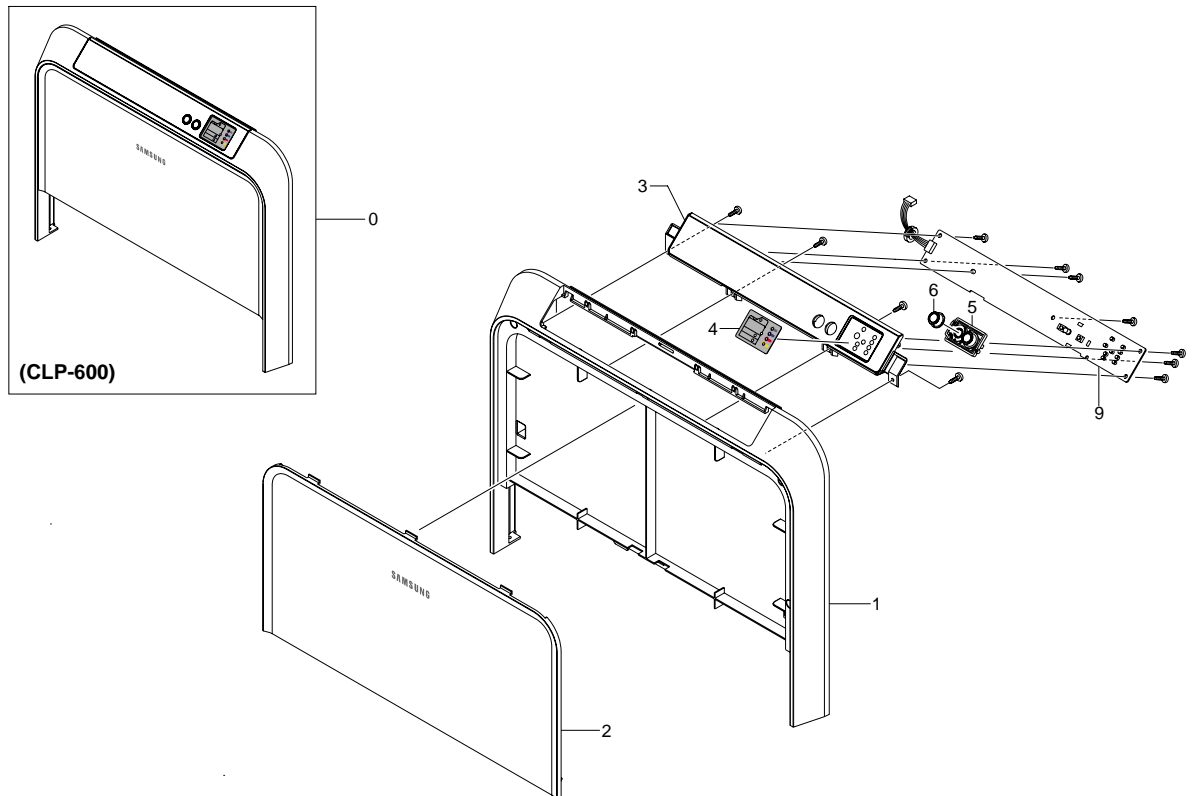
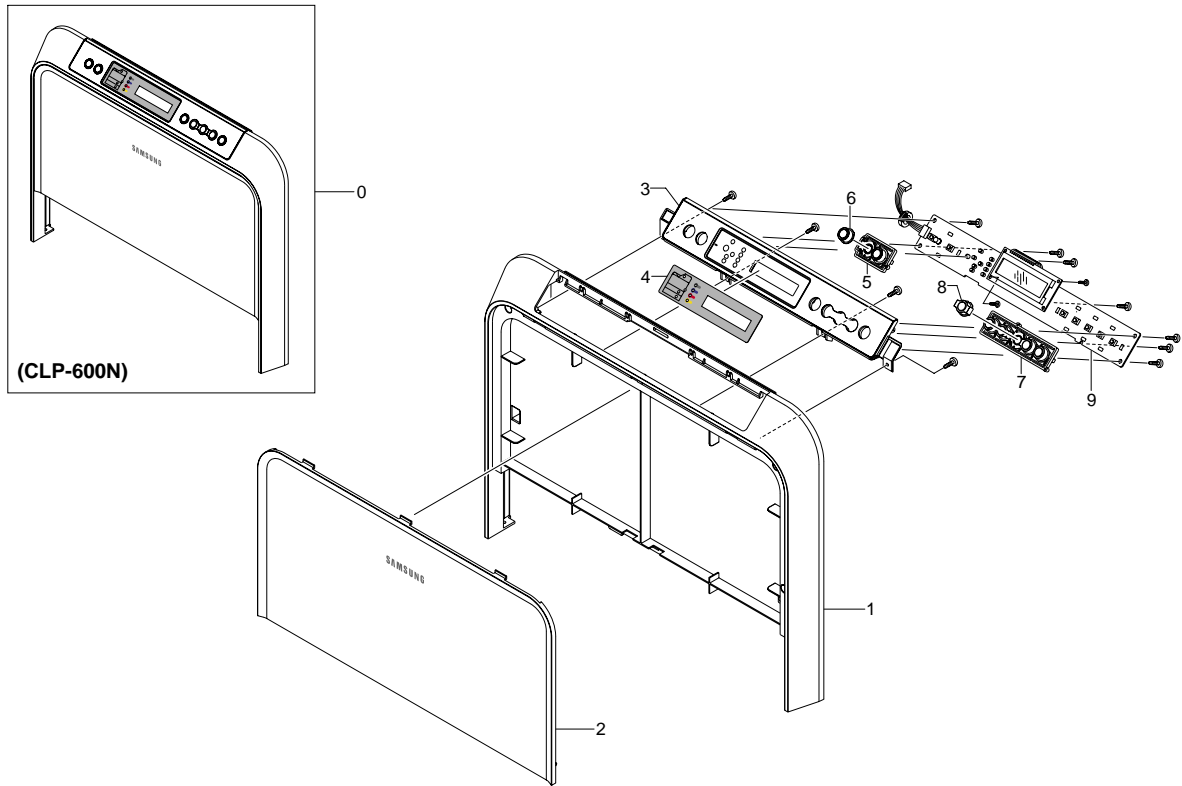
Main Parts List

SA : Service Available

O : Service available X : Service not available

No.	SEC.Code	Description	SA	Remark
7.1-33	*	ELA UNIT-DEVE Y_SET		SNA
7.1-34	*	ELA UNIT-PTB SET		SNA
7.1-35	JC96-03490A	ELA HOU-COVER F LCD		SA
7.1-36	JC97-02190C	MEA HOU-COVER LEFT;CLP-600N,SEC,EXPORT,-	M0001	SA
7.1-36-1	JC63-00576C	COVER-M-LEFT;CLP-600N,HIPS,2.5,372.0,288	C0048	SNA
7.1-36-2	JC64-00176A	HANDLE-_M_COVER LEFT;CLP-600,HIPS,2.5,28	H0001	SA
7.1-37	JC97-02194A	MEA HOU-COVER TOP;CLP-600,SEC,EXPORT,-,-	M0006	SA
7.1-38	JC97-02242A	MEA HOU-COVER REAR;CLP-600,SEC,EXPORT,-,	M0002	SA
7.1-38-1	JC63-00575A	COVER-_M_REAR;CLP-600,HIPS,2.5,464.9,437	C0036	SNA
7.1-38-2	JC63-00192B	COVER-M MAIN REAR DUMMY;CLP-600,HIPS,-,W	C0043	SA
7.1-39	JC97-02191A	MEA HOU-COVER RIGHT		SA
7.1-40	JC97-02192A	MEA UNIT-CASSETTE;CLP-600,SEC,EXPORT,-,-	M0009	SA
7.1-41	CLP-600S5	SCF UNIT		SNA
7.1-42	6043-001097	PIN-SPRING;W,D2,L14,-,SUS304 CSP 1/2H,T0	P0015	SNA
7.1-43	JC66-00472A	GEAR-FUSER DRIVE 2_Z30;CLP-500,POM,DEL 5	G0026	SA
7.1-44	6044-000231	RING-E;ID5.0,OD11.0,T0.6,PASS,STS304	R0006	SA
7.1-45	*	CBF-POWER CORD(same not country)	K2903	SA

8.2. Front Cover



Front Cover Parts List(CLP-600)

SA : Service Available

O : Service available **X** : Service not available

No.	SEC.Code	Description	SA	Remark
7.2-0	JC96-03368A	ELA HOU-COVER FRON		SA
7.2-1	JC63-00581A	COVER-_M_DECO;CLP-600,HIPS,2.5,462.0,350	C0025	SA
7.2-2	JC63-00582A	COVER-_M_FRONT;CLP-600,ABS,3.0,429.0,221	C0030	SA
7.2-5	JC72-01199B	PMO-OPE KEY 2;CLP-510,ABS,36024,-,-,HB,-	P0047	SA
7.2-6	JC72-01200A	PMO-OPE KEY 2 CAP;CLP-500,PMMA,MILKY WHI	P0046	SA
7.2-7	JC96-03368A	ELA HOU-COVER FRONT;CLP-600,SEC,KOREA,-,		SA

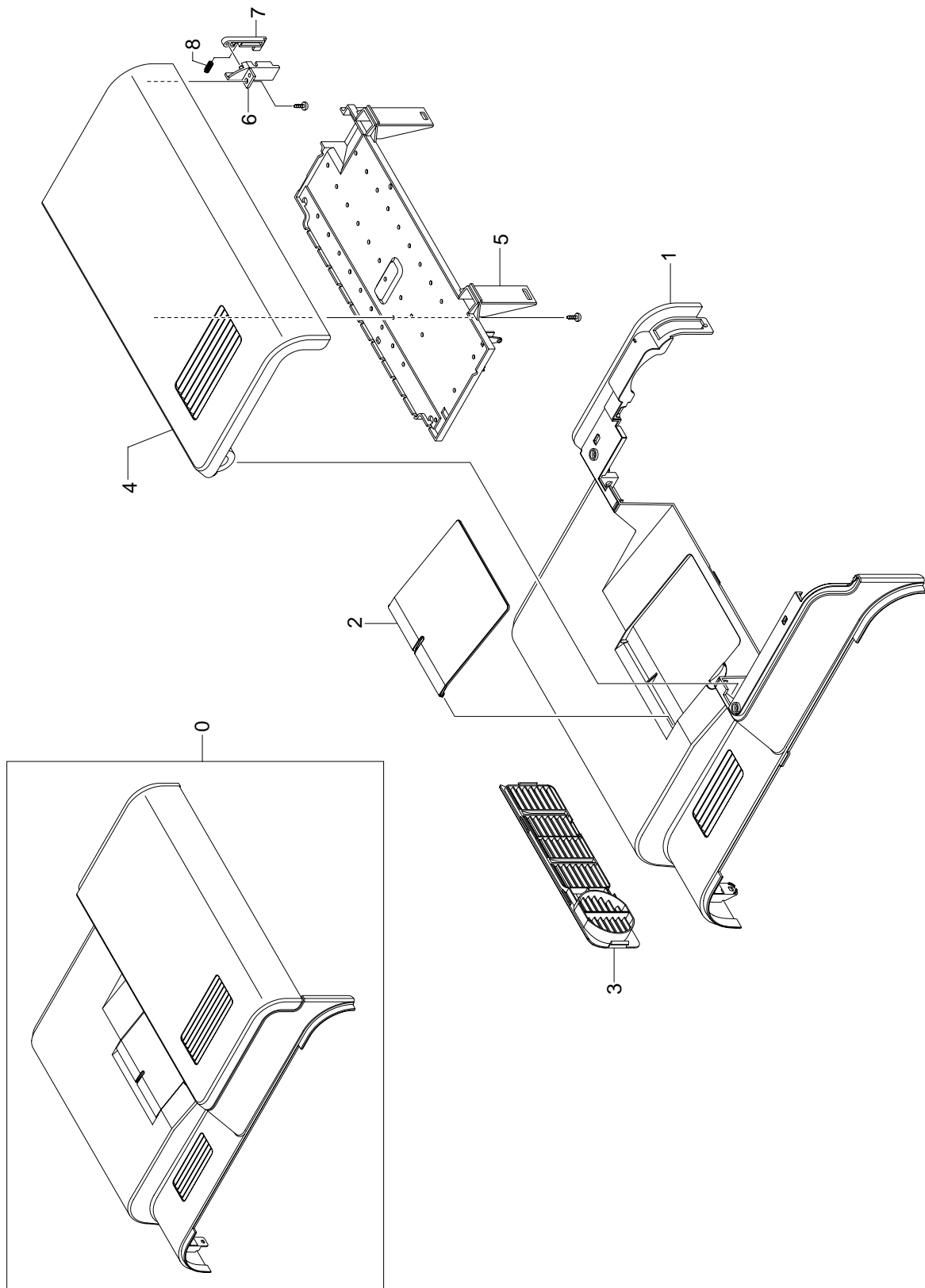
Front Cover Parts List(CLP-600N)

SA : Service Available

O : Service available **X** : Service not available

No.	SEC.Code	Description	SA	Remark
7.2-0	JC96-03490A	ELA HOU-COVER F LCD		SA
7.2-1	JC63-00581A	COVER-_M_DECO;CLP-600,HIPS,2.5,462.0,350	C0025	SA
7.2-2	JC63-00582A	COVER-_M_FRONT;CLP-600,ABS,3.0,429.0,221	C0030	SA
7.2-3	JC63-00613A	COVER-M_OP FRAME LCD;CLP-600N,HIPS,T2.5,		SA
7.2-4	JC63-00642D	SHEET-COVER OP LCD;CLP-600,PC SHEET,T0.5	S0011	SA
7.2-5	JC72-01199B	PMO-OPE KEY 2;CLP-510,ABS,36024,-,-,HB,-	P0047	SA
7.2-6	JC72-01200A	PMO-OPE KEY 2 CAP;CLP-500,PMMA,MILKY WHI	P0046	SA
7.2-7	JC72-01197C	PMO-M OPE KEY 1;CLP-600,ABS,SOLITARY BLU	P0045	SA
7.2-8	JC72-01198C	PMO-M OPE KEY 1 CAP;CLP-600,ABS,SOLITARY	P0044	SA
7.2-9	JC92-01675A	PBA SUB-LCD_PANEL		SA

8.3. Top Cover



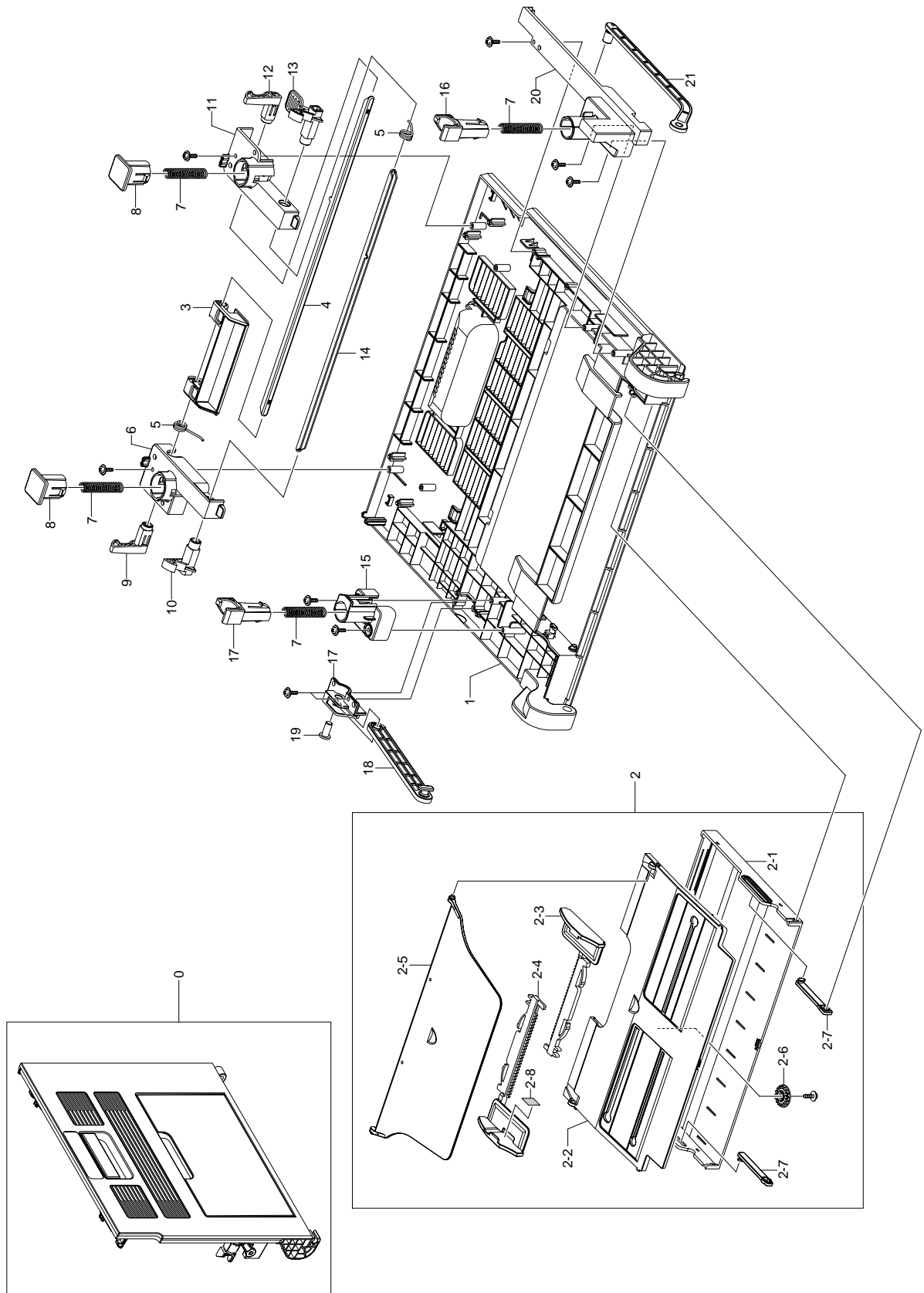
Top Cover Parts List

SA : Service Available

O : Service available **X** : Service not available

No.	SEC.Code	Description	SA	Remark
7.3-0	JC97-02194A	MEA HOU-COVER TOP;CLP-600,SEC,EXPORT,-,-	M0006	SA
7.3-1	JC63-00574A	COVER-_M_TOP;CLP-600,HIPS,2.5,386.7,465.	C0041	SNA
7.3-2	JC63-00588A	COVER-_M_STACKER;CLP-600,ABS,T2.5,W119.5	C0040	SA
7.3-3	JC63-00590A	COVER-_M_VENT;CLP-600,HIPS,T2.5,W215.0,L	C0042	SNA
7.3-4	JC63-00578A	COVER-_M_EXIT;CLP-600,HIPS,2.5,370.0,198	C0029	SNA
7.3-5	JC63-00579A	COVER-_M_AIR DUCT;CLP-600,PC+GF20%,2.5,3	C0024	SA
7.3-6	JC63-00580A	COVER-_M_ACTUATOR SENSOR;CLP-600,HIPS,2.	C0023	SNA
7.3-7	JC66-00798A	LEVER-_M_ACTUATOR SENSOR;CLP-600,POM,T2.	L0011	SA
7.3-8	JC61-00047A	SPRING ETC-TR L HAWK;ML-6060A,SWP-B,-,-,	S0033	SA

8.4. Right Cover



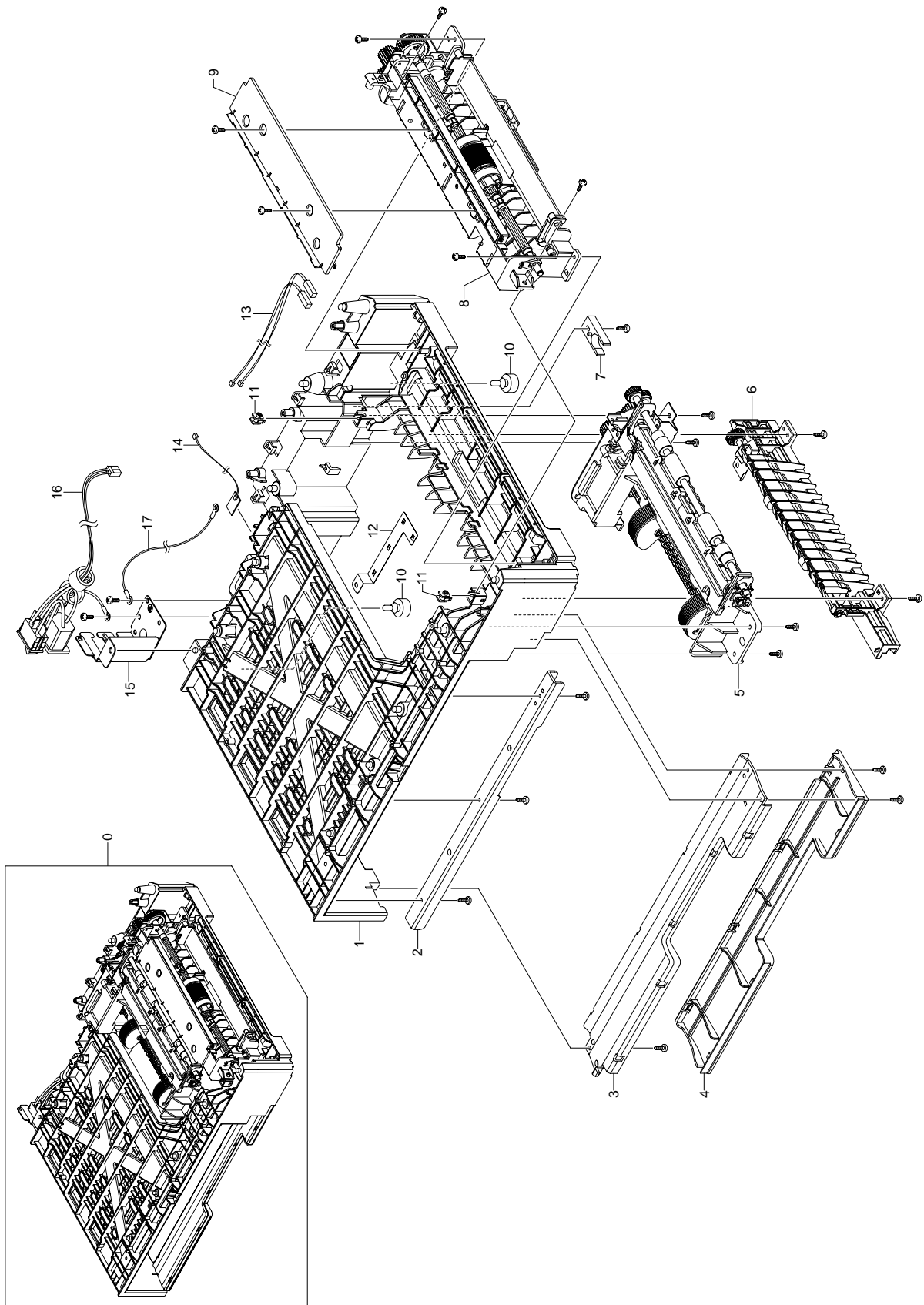
Right Cover Parts List

SA : Service Available

O : Service available X : Service not available

No.	SEC.Code	Description	SA	Remark
7.4-0	JC97-02191A	MEA HOU-COVER RIGHT		SA
7.4-1	JC63-00589A	COVER-_M_RIGHT;CLP-600,HIPS,T2.5,W370.0,	C0037	SA
7.4-2	JC97-02405A	MEA UNIT-COVER MPF;CLP-600,SEC,EXPORT,-,	M0010	SA
7.4-2-1	JC63-00584A	COVER-_M_MP;CLP-600,HIPS,T2.5,257.4,L160	C0034	SNA
7.4-2-2	JC63-00586A	COVER-_M_INNER MP;CLP-600,HIPS,T2.0,W252	C0033	SNA
7.4-2-3	JC61-01043A	GUIDE-_M_SIDE MP L;CLP-600,HIPS,-,W131.9	G0049	SNA
7.4-2-4	JC61-01042A	GUIDE-_M_SIDE MP R;CLP-600,HIPS,T1.5,W13	G0050	SNA
7.4-2-5	JC72-00778B	PMO-TRAY EXIT MP;CLP-500,HIPS,LIGHT GRAY	P0050	SA
7.4-2-6	JG66-40003A	GEAR-PINION;SF4000,POM,WHT,M1,Z16	G0035	SA
7.4-2-7	JC63-00587A	TRAY-_M_LINK MP L;CLP-600,HIPS,T3.0,W55.	T0003	SA
7.4-2-8	JC68-01528A	LABEL(R)-HEIGHT MP;COMMON	L0005	SNA
7.4-3	JC64-00179A	HANDLE-_M_COVER R;CLP-600,HIPS,T2.5,W98.	H0002	SNA
7.4-4	JC61-01050A	BRACKET-P-COVER LOCK;CLP-600,SECC,T1.2,W	B0008	SNA
7.4-5	6107-001206	SPRING-TS;SUS304-WPB,BLACK,PI1.5,D10,L5,	S0043	SNA
7.4-6	JC61-01057A	HOLDER-_M_UPPER R;CLP-600,HIPS,HB,T2.5,W	H0018	SNA
7.4-7	6107-001247	SPRING-CS;STS304-WPB,-,PI1,D8,L43,-,-,ID	S0034	SNA
7.4-8	JC61-01053A	GUIDE-_M_SUPPORTER UPPER;CLP-600,HIPS,HB	G0052	SNA
7.4-9	JC72-01082A	PMO-COVER DUP LOCKER R;CLP-500,POM,WHITE	P0037	SA
7.4-10	JC64-00178A	LOCKER-_M_PT B REAR;CLP-600,POM,WHT,HB,-,	L0017	SA
7.4-11	JC61-01058A	HOLDER-_M_UPPER F;CLP-600,HIPS,HB,T2.5,W	H0017	SNA
7.4-12	JC72-01081A	PMO-COVER DUP LOCKER F;CLP-500,POM,WHITE	P0036	SA
7.4-13	JC64-00177A	LOCKER-_M_PT B FRONT;CLP-600,PC+ABS,87182	L0016	SA
7.4-14	JC61-01051A	BRACKET-P-PT B LOCK;CLP-600,SECC,T1.2,W29	B0017	SNA
7.4-15	JC61-01055A	HOLDER-_M_LOWER R;CLP-600,HIPS,HB,T2.5,W	H0013	SNA
7.4-16	JC61-01052A	GUIDE-_M_SUPPORTER LOWER;CLP-600,HIPS,HB	G0051	SNA
7.4-17	JC61-01125A	HOLDER-_M_LINK;CLP-600,HIPS,HB,T2.5,W19.	H0011	SNA
7.4-18	JC66-00777A	LINK-_M_REAR 2;CLP-600,POM,L135.0,T4.5,-	L0014	SA
7.4-19	JC66-00835A	SHAFT-HINGE LINK;CLP-600,SUM24L,L14.5,°OOS	S0005	SNA
7.4-20	JC61-01056A	HOLDER-_M_LOWER F;CLP-600,HIPS,HB,T2.5,2	H0012	SNA
7.4-21	JC66-00778A	LINK-_M_FRONT;CLP-600,POM,L185.3,T3.7,-,	L0012	SA

8.5. Base Frame



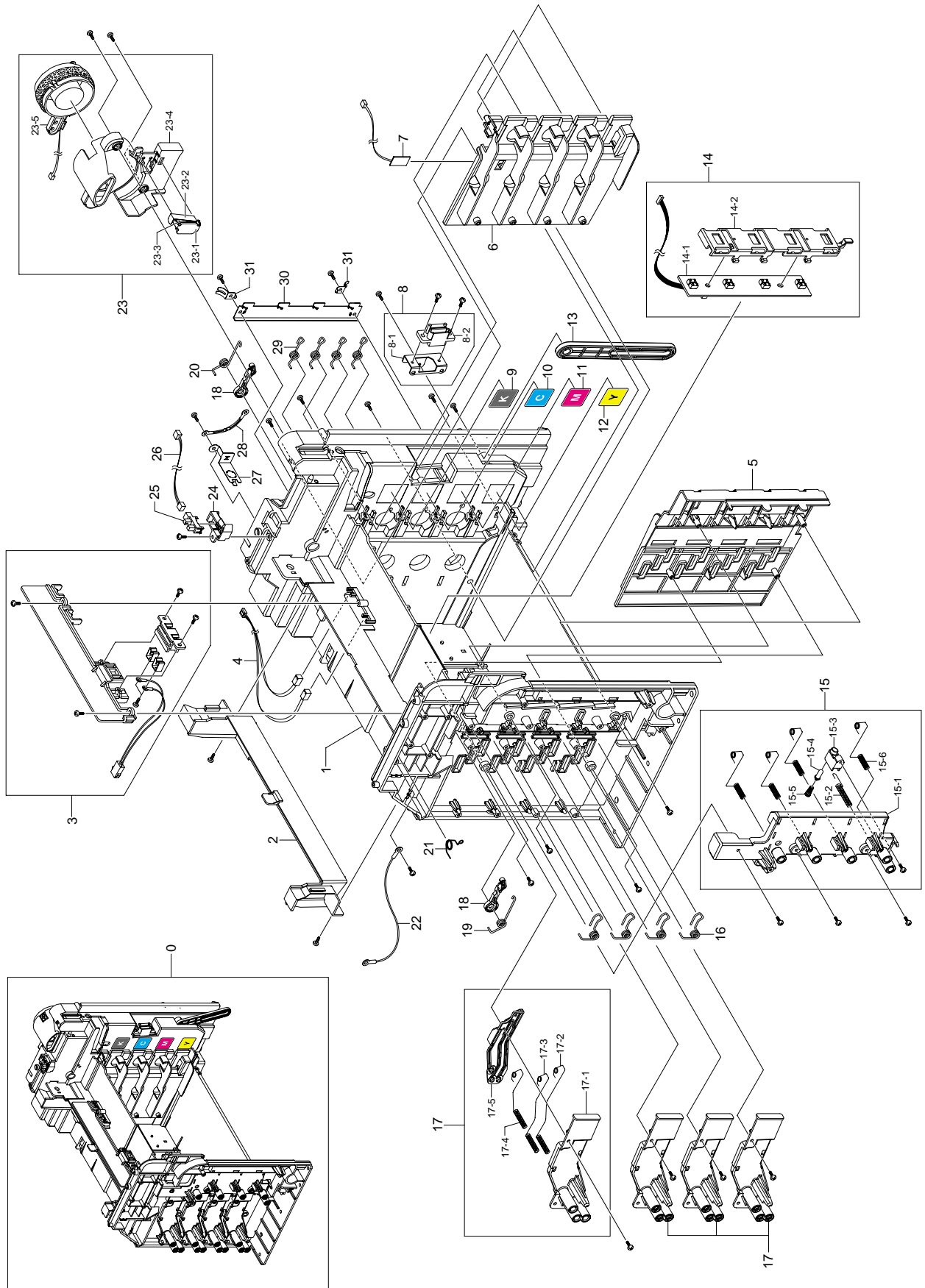
Base Frame Parts List

SA : Service Available

O : Service available X : Service not available

No.	SEC.Code	Description	SA	Remark
7.5-0	JC97-02187A	MEA UNIT-FRAME BASE;CLP-600,SEC,EXPORT,-	M0013	SNA
7.5-1	JC61-01005A	FRAME-_M_BASE BOTTOM;CLP-600,HIPS,HR-136	F0004	SA
7.5-2	JC70-00390A	IPR-CHANNEL FRAME BASE;CLP-500,SECC,-,T1	I0003	SA
7.5-3	JC63-00207A	COVER-M-BASE BAR;CLP-500,HIPS,-,-,HB,-	C0044	SA
7.5-4	JC70-00379A	IPR-BRKT BASE BAR;CLP-500,SECC,-,T1.6,-	I0002	SA
7.5-5	JC97-02149A	MEA UNIT-PICK UP;CLP-600,SEC,EXPORT,-,-	M0019	SA
7.5-6	JC61-00685A	HOUSING-M-PICK UP MP;ML-2150,PC+ABS,-,-	H0025	SA
7.5-7	JC66-00050A	CAM-CATCH;ML-9400W,POM,-,34 ϕ /E ϕ 18 ϕ /E ϕ 7,WHITE S	C0004	SA
7.5-8	JC96-03332A	ELA UNIT-MPF;CLP-600,SEC,EXPORT,-,-,-	E0018	SA
7.5-9	JC61-01147A	GUIDE-_M_PAPER MP;CLP-600,HIPS,T3.0,W234	G0043	SNA
7.5-10	JC61-40001A	FOOT-ML80;ML-80,NBR,-,GRAY,-,-,-	F0003	SA
7.5-11	JC63-00175A	COVER-SCREW LOCKING MP;CLP-500,POM,-,-,-	C0050	SA
7.5-12	JC61-01016A	PLATE-P-GROUND SCF MAIN;CLP-600,SUS304,T	P0026	SNA
7.5-13	JC39-00433A	CBF HARNESS-THER;CLP-600,CBF HARNESS,UL1	C0021	SA
7.5-14	JC92-01660A	PBA SUB-TEMP_SENSOR;CLP-600,SEC,KOREA,TE	P0010	SA
7.5-15	JC61-00999A	BRACKET-P-POWER;CLP-600,SECC,T1.2,W41.5,	B0016	SNA
7.5-16	JC39-00452A	CBF HARNESS-AC_INLET;CLP-600,CBF HARNESS	C0008	SA

8.6. Main Frame



Main Frame Parts List

SA : Service Available

O : Service available X : Service not available

No.	SEC.Code	Description	SA	Remark
7.6-0	JC97-02151A	MEA UNIT-FRAME MAIN;CLP-600,SEC,EXPORT,-	M0015	SNA
7.6-1	JC61-01001A	FRAME-_M_MAIN;CLP-600,ABS+GF20%,VB-4921,	F0007	SNA
7.6-2	JC63-00577A	COVER-_M_EXIT GUIDE;CLP-600,ABS,HB,2.5,2	C0027	SA
7.6-3	JC96-03772A	ELA UNIT-HOLDER AC;CLP-600,SEC,EXPORT,-,	E0016	SA
7.6-4	JC39-00424A	CBF HARNESS-EXIT;CLP-600,CBF HARNESS,UL1	C0011	SA
7.6-5	JC61-01007A	GUIDE-_M_RAIL FRONT;CLP-600,PC+ABS,V0,-,	G0045	SA
7.6-6	JC61-01006A	GUIDE-_M_RAIL REAR;CLP-600,PC+ABS, V0,-,	G0046	SA
7.6-7	JC92-01789A	PBA SUB-TEMP;CLP-600,SED,KOREA,-,-,-,-		SNA
7.6-8	JC96-03771A	ELA UNIT-BRKT DRAW;CLP-600,SEC,EXPORT,-,	E0004	SA
7.6-9	JC68-01503A	LABEL(R)-BK;COMMON,-,PVC,T0.12,W15.0,L7.	L0002	SNA
7.6-10	JC68-01504A	LABEL(R)-C;COMMON,-,PVC,T0.12,W15.0,L7.0	L0003	SNA
7.6-11	JC68-01505A	LABEL(R)-M;COMMON,-,PVC,T0.12,W15.0,L7.0	L0007	SNA
7.6-12	JC68-01506A	LABEL(R)-Y;COMMON,-,PVC,T0.12,W15.0,L7.0	L0008	SNA
7.6-13	JC66-00776A	LINK-_M_REAR 1;CLP-600,POM,L112.4,T4.5,-	L0013	SA
7.6-14	JC96-03366A	ELA UNIT-DEVE CRUM;CLP-600,SEC,EXPORT,-,	E0007	SNA
7.6-14-1	JC92-01671A	PBA SUB-DEVE_CRUM_IF;CLP-600,SEC,KOREA,D	P0002	SA
7.6-14-2	JC63-00571A	COVER-_M_DEVE CRUM BD;CLP-600,HIPS,2.0,1	C0026	SA
7.6-15	JC97-02402A	MEA UNIT-PTB TERMINAL;CLP-600,SEC,EXPORT	M0020	SA
7.6-15-1	JC61-01011A	GUIDE-_M_PTB TERMINAL;CLP-600,ABS,2.0,23	G0044	SA
7.6-15-2	JC70-00508A	ELECTRODE-HV F;CLP-600,SUS304WPB,°Ö05,L32	E0026	SA
7.6-15-3	JC61-01010A	GUIDE-_M_TERMINAL CH;CLP-600,ABS,2.0,15.	G0053	SA
7.6-15-4	JC97-01401A	MEA UNIT-TERMINAL.TR;ML-5000A,SAMSUNG,KO		SA
7.6-15-6	JC70-00513A	ELECTRODE-HV E;CLP-600,SUS304WPB,°Ö05,L32	E0025	SA
7.6-16	JC61-01264A	SPRING ETC-OPC F;CLP-600,SUS304,1.5,6.5	S0026	SA
7.6-17	JC97-02403A	MEA UNIT-DEV TERMINAL;CLP-600,SEC,EXPORT	M0011	SA
7.6-17-1	JC61-01008A	GUIDE-_M_TERMINAL UPPER;CLP-600,ABS,2.0,	G0055	SA
7.6-17-2	JC70-00505A	ELECTRODE-HV C;CLP-600,SUS304 WPB DU NI-	E0023	SA
7.6-17-3	JC70-00504A	ELECTRODE-HV B;CLP-600,SUS304 WPB DU NI-	E0022	SA
7.6-17-4	JC70-00503A	ELECTRODE-HV A;CLP-600,SUS304 WPB DU NI-	E0021	SA
7.6-17-5	JC61-01009A	GUIDE-_M_TERMINAL LOWER;CLP-600,ABS,2.0,	G0054	SA
7.6-18	JC61-01019A	HOLDER-_M_PTB LOCKER;CLP-600,POM,3.0,-,3	H0015	SNA
7.6-19	JC61-01265A	SPRING ETC-PTB F;CLP-600,SUS304,1.5,6.5	S0029	SA
7.6-20	JC61-01266A	SPRING ETC-PTB R;CLP-600,SUS304,1.5,6.5	S0030	SA
7.6-21	JC70-00506A	ELECTRODE-HV D;CLP-600,SUS304WPB,°Ö10.0,	E0024	SA
7.6-22	JC39-00509A	CBF HARNESS-GND ZENER;SCX-4521F,-,UL1007		SA
7.6-23	JC96-03770A	ELA UNIT-DUCT REAR;CLP-600,SEC,EXPORT,-,	E0013	SNA
7.6-23-1	JC61-01061A	HOLDER-_M_SWITCH;CLP-600,HIPS,HB,T2.0,W3	H0016	SA
7.6-23-2	JC61-00707A	PLATE-SW DUPLEX;CLP-500,SUS304 1/2H,T0.	P0028	SA
7.6-23-3	JC39-00454A	CBF HARNESS-SWITCH;CLP-600,CBF HARNESS,U	C0020	SA
7.6-23-4	JC67-00074A	DUCT-_M_FUSER FAN;CLP-600,HIPS,HB,T2.0,W	D0001	SA
7.6-23-5	JC31-00012C	FAN-DC INVERTER;AD0624HS-A76GL(SCX-6345		SA
7.6-24	JC61-01077A	HOUSING-_M_SENSOR EXIT;CLP-600,HIPS,HB,T	H0024	SNA

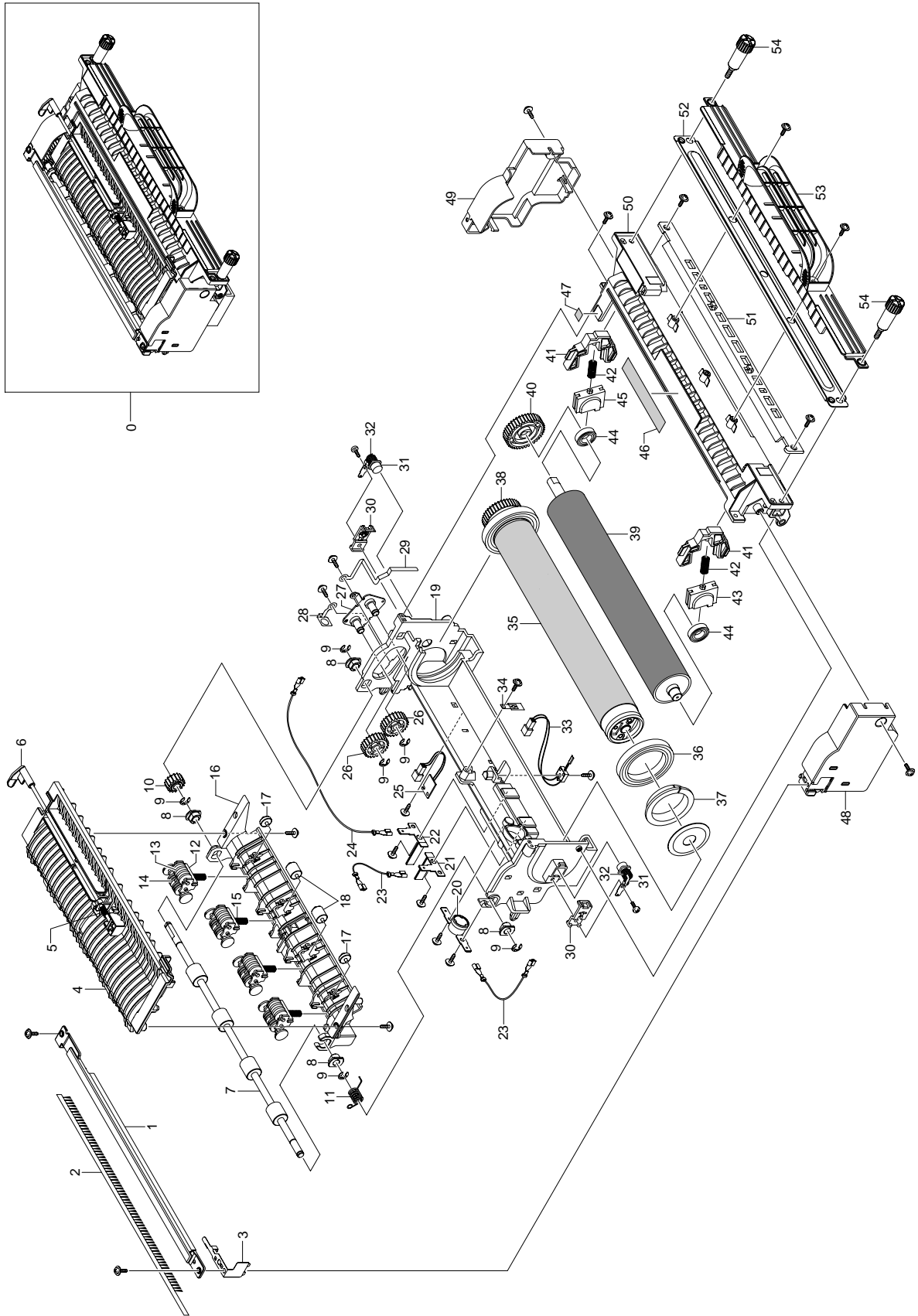
Main Frame Parts List

SA : Service Available

O : Service available **X** : Service not available

No.	SEC.Code	Description	SA	Remark
7.6-25	0604-001154	PHOTO-INTERRUPTER;TR,0.2-1.0MA,80MW,DIP,	P0012	SA
7.6-26	JC39-00428A	CBF HARNESS-MP_1;CLP-600,CBF HARNESS,UL1	C0018	SA
7.6-27	JC61-01020A	PLATE-P-GROUND FUSER;CLP-600,SUS304,T0.2	P0023	SNA
7.6-28	JC39-00302A	CBF HARNESS-100M_GND;CLP-500,-,1 PIN,5	C0007	SA
7.6-29	JC61-01267A	SPRING ETC-OPC R;CLP-600,SUS304,1.5,6.5	S0027	SA
7.6-30	JC61-01014A	PLATE-P-GROUND OPC;CLP-600,SECC,T0.5,W15	P0024	SNA
7.6-31	JC61-01015A	PLATE-P-GROUND DRIVE;CLP-600,SUS304,T0.2	P0022	SNA

8.7. Fuser



Fuser Parts List

SA : Service Available

O : Service available X : Service not available

No.	SEC.Code	Description	SA	Remark
7.7-0	JC96-03967A	ELA UNIT-FUSER 220V;CLP-600,SEC,EXPORT,-	E0015	SA
7.7-0	JC96-03370A	ELA UNIT-FUSER 110V;CLP-600,SEC,EXPORT,-	E0015	SA
7.7-1	JC63-00594A	COVER-_M_EXIT ROLLER;CLP-600,PET GF30%,T	C0028	SNA
7.7-2	JC75-00095A	MEC-BRUSH ANTISTATIC;ML-6060A,SEC,NTR	M0022	SA
7.7-3	JC63-00837A	GROUND-P-COVER EXIT;CLP-600,SUS304,T0.2,	G0036	SA
7.7-4	JC61-01064A	GUIDE-_M_DUPLEX;CLP-600,PET+GF30%,5V,T2.	G0040	SNA
7.7-5	JC61-01271A	SPRING ETC-ACTUATOR;CLP-600,SUS304 ,0.35	S0018	SA
7.7-6	JC66-00784A	LEVER-_M_ACTUATOR EXIT;CLP-600,PET GF30%	L0010	SA
7.7-7	JC66-00783A	ROLLER-EXIT;CLP-600,SUM24L+EPDM,°Ö08.0+°Ö0SN	R0009	SNA
7.7-8	JC61-00423A	BUSH-6_D;ML-9400W,BEARING OIL,-,-,-,NTR,	B0025	SA
7.7-9	6044-000125	RING-E;ID4,OD9,T0.6,PASS,STSC	R0004	SA
7.7-10	JC66-00782A	GEAR-_M_EXIT;CLP-600,POM,M1.0,Z14,-,WHT,	G0005	SA
7.7-12	JC61-00547A	HOLDER-EXIT(MC);SCX-5312F,PC,-,-,-,WHITE	H0019	SNA
7.7-13	JC72-41007A	PMO-ROLLER FD F;ML-165,POM,BLACK,-,-,-,-	P0048	SA
7.7-15	JC61-70911A	SPRING ETC-EXIT ROLL FD;ML-165,SUS304 WP	S0021	SA
7.7-16	JC61-01065A	GUIDE-_M_OUTPUT;CLP-600,PET+GF30%,5V,T2.	G0042	SNA
7.7-17	JC66-00608A	ROLLER-EXIT IDLE;CLP-500,TEFLON,PI10.5,L	R0008	SNA
7.7-18	JC72-20901A	PEX-ROLLER EXIT F_UP;ML-5000A,TEFLON,WHI	P0011	SA
7.7-19	JC61-01062A	FRAME-_M_UPPER FUSER;CLP-600,PET+GF30%,B	F0008	SNA
7.7-20	4712-001027	THERMOSTAT;125/250VAC,15/7.5A,170+5C,0C	T0002	SA
7.7-21	JC70-00488A	ELECTRODE-P-TERMINAL L;CLP-600,C5210P,T0	E0027	SA
7.7-22	JC70-00489A	ELECTRODE-P-TERMINAL R;CLP-600,C5210P,T0	E0028	SA
7.7-23	JC39-00506A	CBF HARNESS-FUSER1;CLP-600,CBF HARNESS,U	C0012	SA
7.7-24	JC39-00444A	CBF HARNESS-FUSER2;CLP-600,CBF HARNESS,U	C0013	SA
7.7-25	JC92-01752A	PBA SUB-NEW_FUSER;CLP-600,SEC,KOREA,13*1	P0007	SA
7.7-26	JC66-00781A	GEAR-_M_EXIT IDLE;CLP-600,PBT,M1.0,Z22,-	G0004	SA
7.7-27	JC61-01070A	BRACKET-P-IDLE GEAR;CLP-600,SECC,T1.0,W3	B0012	SNA
7.7-28	JC63-00647A	GROUND-P-FUSER B;CLP-600,SUS304,T0.3,W17	G0037	SNA
7.7-29	JC63-00648A	GROUND-P-FUSER BALL;CLP-600,SUS304,T0.3,	G0038	SNA
7.7-30	JC63-00643A	COVER-M-CARBON BRUSH;CLP-600,PET GF 30%,	C0045	SNA
7.7-31	JC67-00104A	BRUSH-CARBON;ML-3560,SM190,-,D9,9.5,-,-	B0020	SNA
7.7-32	6107-001172	SPRING-CS;SUS304,-,PI0.5,D6.7,L17.5,-,-,	S0035	SA
7.7-33	1404-001359	THERMISTOR-NTC ASSY;1KOHM,-,4537K,0.25MW	T0001	SA
7.7-35	JC66-00799A	ROLLER-HEAT;CLP-600,AL5052+RUBBER,D36.4,	R0011	SNA
7.7-36	6601-001340	BEARING-BALL;6808ZZ,ID40,OD52,L7,SUJ2,-	B0001	SNA
7.7-37	JC61-01144A	BUSH-_M_BALL BEARING;CLP-600,PPS,ID34.6,	B0021	SNA
7.7-38	JC66-00780A	GEAR-_M_CAP;CLP-600,PPS+PTEE+GF,M1.0,Z36	G0001	SA
7.7-39	JC66-00800A	ROLLER-PRESSURE;CLP-600,STKM+RUBBER,D36.	R0016	SA
7.7-40	JC67-00071A	CAP-_M_END;CLP-600,PPS+PTEE+GF,T14.5,OD3	C0005	SNA
7.7-41	JC61-01176A	HOLDER-M-SPRING PR;CLP-600,PET+GF30%,-,W	H0022	SNA
7.7-42	6107-001248	SPRING-CS;SWP-B,-,PI1.3,D6.8,L19.5,-,-,I	S0040	SNA
7.7-44	6601-001341	BEARING-BALL;688ZZ,ID8,OD16,L5,SUJ2,-	B0002	SNA

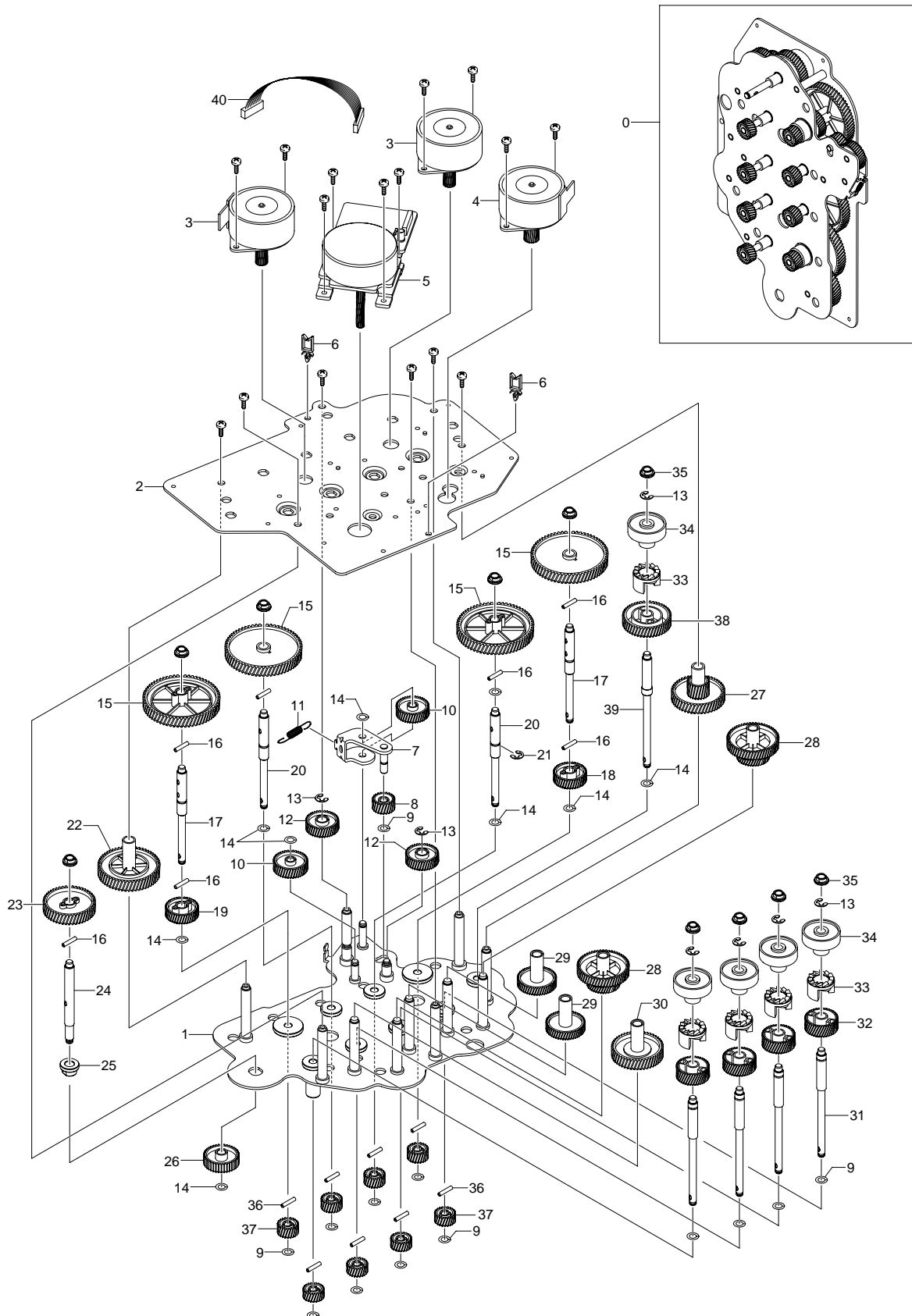
Fuser Parts List

SA : Service Available

O : Service available X : Service not available

No.	SEC.Code	Description	SA	Remark
7.7-45	JC61-01126A	HOLDER-_M_FUSER GEAR;CLP-600,PPS+PTEE+GF	H0007	SNA
7.7-46	JC68-01581A	LABEL(P)-CAUTION HOT;COMMON,SAMSUNG,PET,	L0001	SNA
7.7-47	JC68-00407A	LABEL(R)-HV FUSER;ML-6060,PVC,-,220V,-,,	L0006	SNA
7.7-47	JC68-00408A	LABEL(R)-LV FUSER;COMMON,PVC,-,110V,-,,	L0006	SNA
7.7-48	JC63-00592A	COVER-_M_SIDE L;CLP-600,PET GF30%,T2.5,W	C0038	SNA
7.7-49	JC63-00593A	COVER-_M_SIDE R;CLP-600,PET GF30%,T2.5,W	C0039	SNA
7.7-50	JC61-01063A	FRAME-_M_LOWER FUSER;CLP-600,PET+GF30%,B	F0006	SNA
7.7-51	JC61-01066A	GUIDE-_M_INPUT;CLP-600,PET+GF30%,5V,T3.0	G0041	SNA
7.7-52	JC61-01069A	BRACKET-P-GUIDE FRAME;CLP-600,SECC,T0.8,	B0010	SNA
7.7-53	JC63-00644A	COVER-M-FRAME FUSER;CLP-600,PC,T3,W309.0	C0047	SNA
7.7-54	JC64-00186A	HANDLE-M-FIX FUSER;CLP-600,PC+SUM,-,L4	H0003	SA

8.8. Main Drive



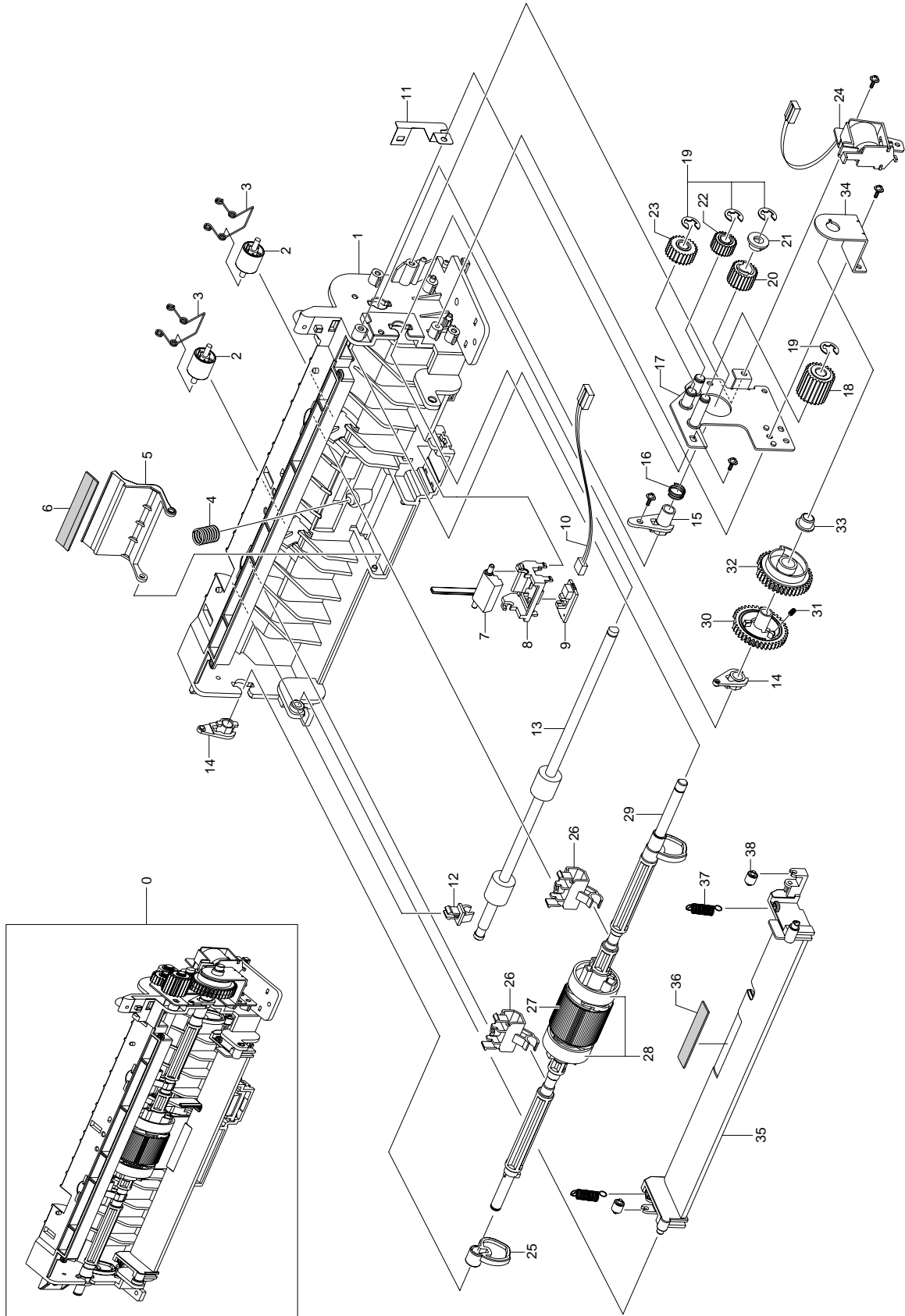
Main Drive Parts List

SA : Service Available

O : Service available X : Service not available

No.	SEC.Code	Description	SA	Remark
7.8-0	JC96-03369A	ELA UNIT-DRIVE MAIN;CLP-600,SEC,EXPORT,-	E0011	SA
7.8-1	JC61-00996A	BRACKET-P-MAIN FRONT;CLP-600,SECC,T1.2,W	B0013	SNA
7.8-2	JC61-00997A	BRACKET-P-MAIN REAR;CLP-600,SECC,T1.2,W1	B0014	SNA
7.8-3	JC31-00041A	MOTOR DC-DEVE DRIVE;50M843A152,CLP-600,2	M0024	SA
7.8-4	JC31-00037C	MOTOR STEP-FU, DRIVE;M55SP-2NK,CLP-600,1	M0025	SA
7.8-7	JC66-00755A	LINK-P-ITB;CLP-600,SECC,L36.22,T1.6,°Ö06.S	L0015	SNA
7.8-8	JC66-00748A	GEAR-_M_PT B DRIVE2_Z30;CLP-600,POM,M0.6,	G0019	SA
7.8-9	6031-001255	WASHER-PLAIN;NYLON,CUTTING,ID5,OD9,T0.5,	W0004	SA
7.8-10	JC66-00750A	GEAR-_M_IDLE_Z43;CLP-600,POM,M0.6,Z43,-,	G0012	SA
7.8-11	6107-001214	SPRING-ES;SWP(PW-2),BLACK,PI0.45,D5.35,L	S0041	SA
7.8-12	JC66-00749A	GEAR-_M_IDLE_Z41;CLP-600,POM,M0.6,Z41,-,	G0011	SA
7.8-13	6044-000231	RING-E;ID5.0,OD11.0,T0.6,PASS,STS304	R0006	SA
7.8-14	6031-000023	WASHER-PLAIN;-ID5.9,OD10.0,T0.5,BLK,POL	W0001	SNA
7.8-15	JC66-00745A	GEAR-_M_OPC DRV1_Z117;CLP-600,POM,M0.5,Z	G0016	SA
7.8-16	6043-001115	PIN-PARALLEL(KEY);A,OD2.0,L14.0,ZPC(YEL)	P0014	SNA
7.8-17	JC66-00837A	SHAFT-OPC DRIVE K,Y;CLP-600,SUM24L,L58.7	S0008	SNA
7.8-18	JC66-00747A	GEAR-_M_PT B DRIVE1_Z41;CLP-600,POM,M0.6,	G0018	SA
7.8-19	JC66-00752A	GEAR-_M_FEED DRV_Z42;CLP-600,POM,M0.6,Z4	G0006	SA
7.8-20	JC66-00832A	SHAFT-OPC DRIVE C,M;CLP-600,SUM24L,L58.7	S0007	SNA
7.8-22	JC66-00753A	GEAR-_M_IDLE_Z79;CLP-600,POM,M0.6,Z79,-,	G0013	SA
7.8-23	JC66-00754A	GEAR-_M_RDCN FEED1_Z69;CLP-600,POM,M0.6,	G0020	SA
7.8-24	JC66-00833A	SHAFT-FEED DRIVE;CLP-600,SUM24L,L50.5,-,	S0003	SNA
7.8-25	JC61-00426A	BUSH-8/5;ML-9400W,NTN B-F8-12,-,-,NTR,	B0026	SA
7.8-26	JC66-00470A	GEAR-FEED DRIVE_Z37;CLP-500,POM,DE8903,M	G0024	SA
7.8-27	JC66-00751A	GEAR-_M_RDCN FU_Z52/Z22;CLP-600,POM,M0.8	G0021	SA
7.8-28	JC66-00468A	GEAR-DEVE RDCN;CLP-500,POM,M90-44,M0.5/M	G0023	SA
7.8-29	JC66-00466A	GEAR-DEVE IDLE_Z41;CLP-500,POM,DE8903,M0	G0022	SA
7.8-30	JC66-00473A	GEAR-IDLE Z51;CLP-500,POM,DE8903,M0.8,Z5	G0027	SA
7.8-31	JC66-00834A	SHAFT-DEVE DRV KM CY;CLP-600,SUM24L,L72.1	S0002	SNA
7.8-32	JC66-00744A	GEAR-_M_DEVE CLUTCH_Z33;CLP-600,POM,M0.8	G0002	SA
7.8-33	JC72-01064A	PMO-HUB CLUTCH;CLP-500,POM,BLACK,-,DE890	P0040	SA
7.8-34	JC72-01232A	PMO-DUMMY CLUTCH;CLP-500,POM,WHITE,-,DEL	P0038	SA
7.8-35	JC61-00699A	BUSH-D6/L4;CLP-500,BRONZE+ST,ID6.0,OD9.0	B0027	SA
7.8-36	JB70-00168A	ICT-PIN ADF;SCX-1110F,STS303,D2.0,-,-,-,	I0001	SA
7.8-37	JC66-00746A	GEAR-_M_OPC DRV2_Z21;CLP-600,POM,M0.8,Z2	G0017	SA
7.8-38	JC66-00471A	GEAR-FUSER DRIVE 1_Z47;CLP-500,POM,M90-4	G0025	SA
7.8-39	JC66-00831A	SHAFT-FUSER DRIVE;CLP-600,SUM24L,L77.5,-	S0004	SNA
7.8-40	JC39-00510A	CBF HARNESS-BLDC_2;CLP-600,CBF HARNESS,U	C0009	SA

8.9. MPF



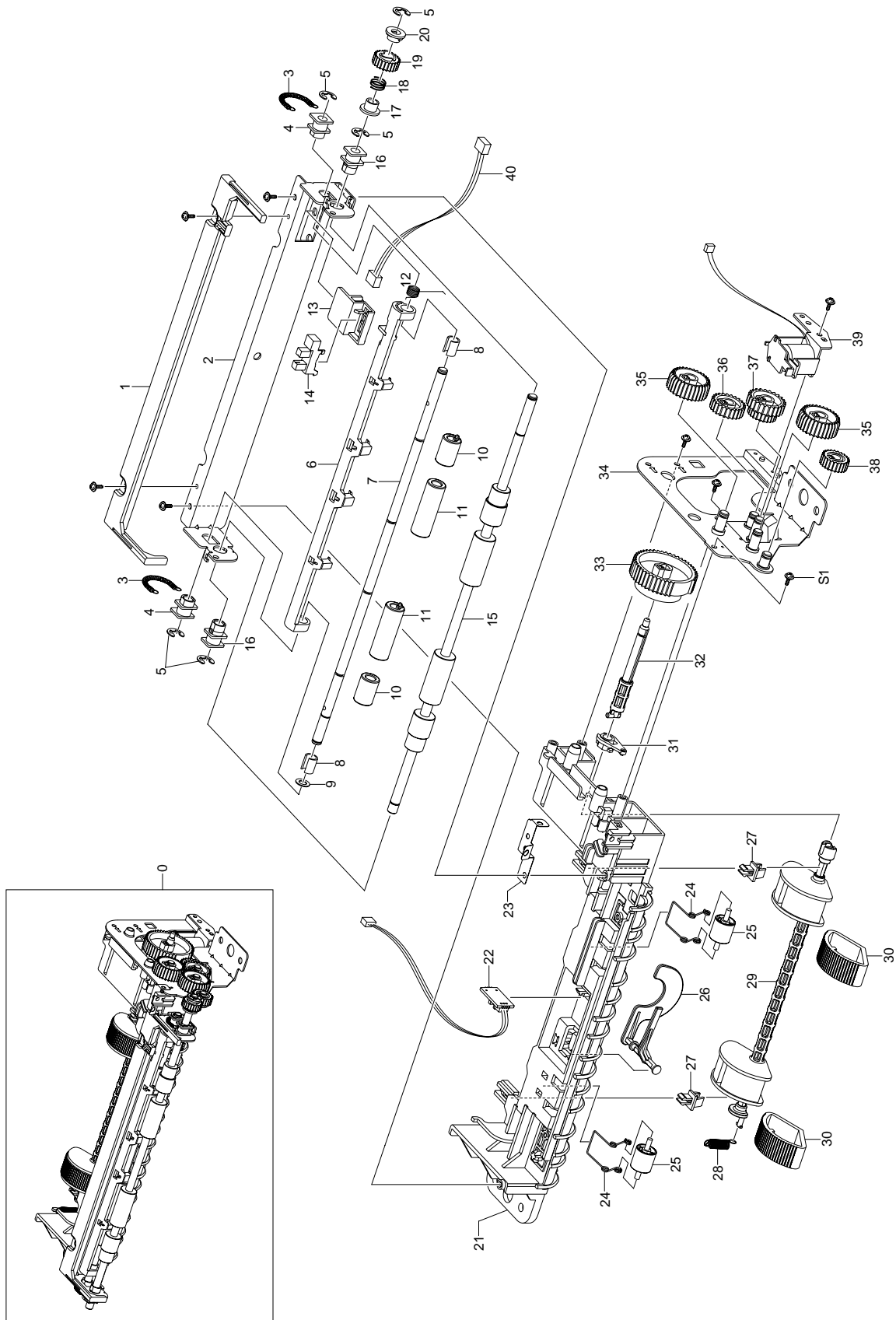
MPF Parts List

SA : Service Available

O : Service available X : Service not available

No.	SEC.Code	Description	SA	Remark
7.9-0	JC96-03332A	ELA UNIT-MPF;CLP-600,SEC,EXPORT,-,-,-	E0018	SA
7.9-1	JC61-01041A	FRAME-_M_BASE MP;CLP-600,HIPS,HR1360T,HB	F0005	SNA
7.9-2	JC66-00764A	ROLLER-IDLE FEED;CLP-600,POM,OD13.0,ID3.	R0013	SA
7.9-3	JC61-01274A	SPRING ETC-ROLLER;CLP-600,SUS304-WPB,0.7	S0032	SA
7.9-4	JC61-00387A	SPRING ETC-PAD;ML-9400W,SUS304WPB,PI0.5,	S0028	SA
7.9-5	JC61-01044A	HOLDER-_M_PAD;CLP-600,PC+ABS,T3.0,W54.0,	H0014	SNA
7.9-6	JC73-00132A	RPR-FRICTION PAD MP;ML-2150,NBB,53*9.8*T	R0019	SA
7.9-7	JC66-00775A	LEVER-_M_ACTUATOR EMPTY;CLP-600,ABS,T3.0	L0009	SNA
7.9-8	JC72-00772A	PMO-HOLDER SENSOR,MP;SCX-5100,ABS,BLACK,	P0039	SA
7.9-9	JC92-01662A	PBA SUB-MP_EMP_SENSOR;CLP-600,SEC,KOREA,	P0006	SA
7.9-10	JC39-00431A	CBF HARNESS-MP_EMP2;CLP-600,CBF HARNESS,	C0019	SA
7.9-11	JC61-01060A	PLATE-P-GROUND BRACKET;CLP-600,SUS304,T0	P0021	SNA
7.9-12	JC72-00382B	PMO-BUSHING FEED;ML-1710,POM(DERLIN 8903	P0034	SA
7.9-13	JC66-00836A	ROLLER-FEED MPF;CLP-600,SUM24L+EPDM,°ÖO6/S	R0010	SNA
7.9-14	JC72-41191B	PMO-BEARING SHAFT;ML-2150,POM,BLK,-,DE89	P0032	SA
7.9-15	JC61-01145A	BUSH-_M_ROLLER FEED;CLP-600,AT-15CF,ID6.	B0022	SA
7.9-16	6107-001249	SPRING-CS;SUS304-WPB,-,PI0.5,D8.8,L6,-,-	S0038	SNA
7.9-17	JC61-01047A	BRACKET-P-GEAR TRAY;CLP-600,SECC,T1.2,W5	B0009	SNA
7.9-18	JC66-00771A	GEAR-_M_IDLE PICKUP;CLP-600,POM,M0.8,SPU	G0010	SA
7.9-19	6044-000125	RING-E;ID4,OD9,T0.6,PASS,STSC	R0004	SA
7.9-20	JC66-00769A	GEAR-_M_MP FEED;CLP-600,POM,M0.8,SPUR,Z1	G0014	SA
7.9-21	JC61-01127A	HOLDER-_M_CLUTCH GEAR;CLP-600,POM,ID6.0,	H0005	SA
7.9-22	JC66-00770A	GEAR-_M_IDLE FEED;CLP-600,POM,M0.8,SPUR,	G0009	SA
7.9-23	JC66-00767A	GEAR-_M_DRIVE IDLE;CLP-600,POM,M0.8,SPUR	G0003	SA
7.9-24	JC33-00017A	SOLENOID-MP;DLH-34L080-08,CLP-600,24V,80	S0016	SA
7.9-25	JC66-00772A	CAM-_M_PICK UP MP;CLP-600,PC,-,ID6.1,BLK	C0003	SNA
7.9-26	JC61-00671A	HOLDER-M-BUSHING TX;ML-2150,POM,-,-,-,BL	H0020	SA
7.9-27	JC97-02149A	MEA UNIT-PICK UP;CLP-600,SEC,EXPORT,-,-,	M0019	SA
7.9-28	JC72-01003A	PMO-IDLE PICK UP MP;ML-2150,POM,WHITE,-,	P0042	SA
7.9-29	JC66-00453A	SHAFT-M-PICK UP MP;ML-2150,PC NH-1023,-,	S0006	SA
7.9-30	JC66-00768A	GEAR-_M_MP PICK UP;CLP-600,POM,M0.8,SPUR	G0015	SA
7.9-31	JC61-00003A	SPRING ETC--CAM MP;ML-6100,SUS304-WPB,0.	S0020	SA
7.9-32	JC66-00766A	GEAR-_M HOLDER CAM;CLP-600,POM,M0.8,SPUR	G0008	SA
7.9-33	JC66-10202A	BEARING-PICK UP;ML-80,POM,-,-,-	B0003	SA
7.9-34	JC61-01045A	BRACKET-P-HODLER PICKUP;CLP-600,SECC,T1.	B0011	SNA
7.9-35	JC61-01048A	PLATE-_M_KNOCK UP;CLP-600,ABS+GF 20%,T2.	P0016	SNA
7.9-36	JC73-00141A	RPR-PAD CASSETTE;ML-1510,URETHANE SPONGE	R0020	SA
7.9-37	JC61-70913A	SPRING ETC-KNOCK UP MP;ML-2150,SUS304 WP	S0024	SA
7.9-38	JC72-01004A	PMO-IDLE KNOCK UP MP;ML-2150,POM,BLK,-,M	P0041	SA

8.10. Pick Up



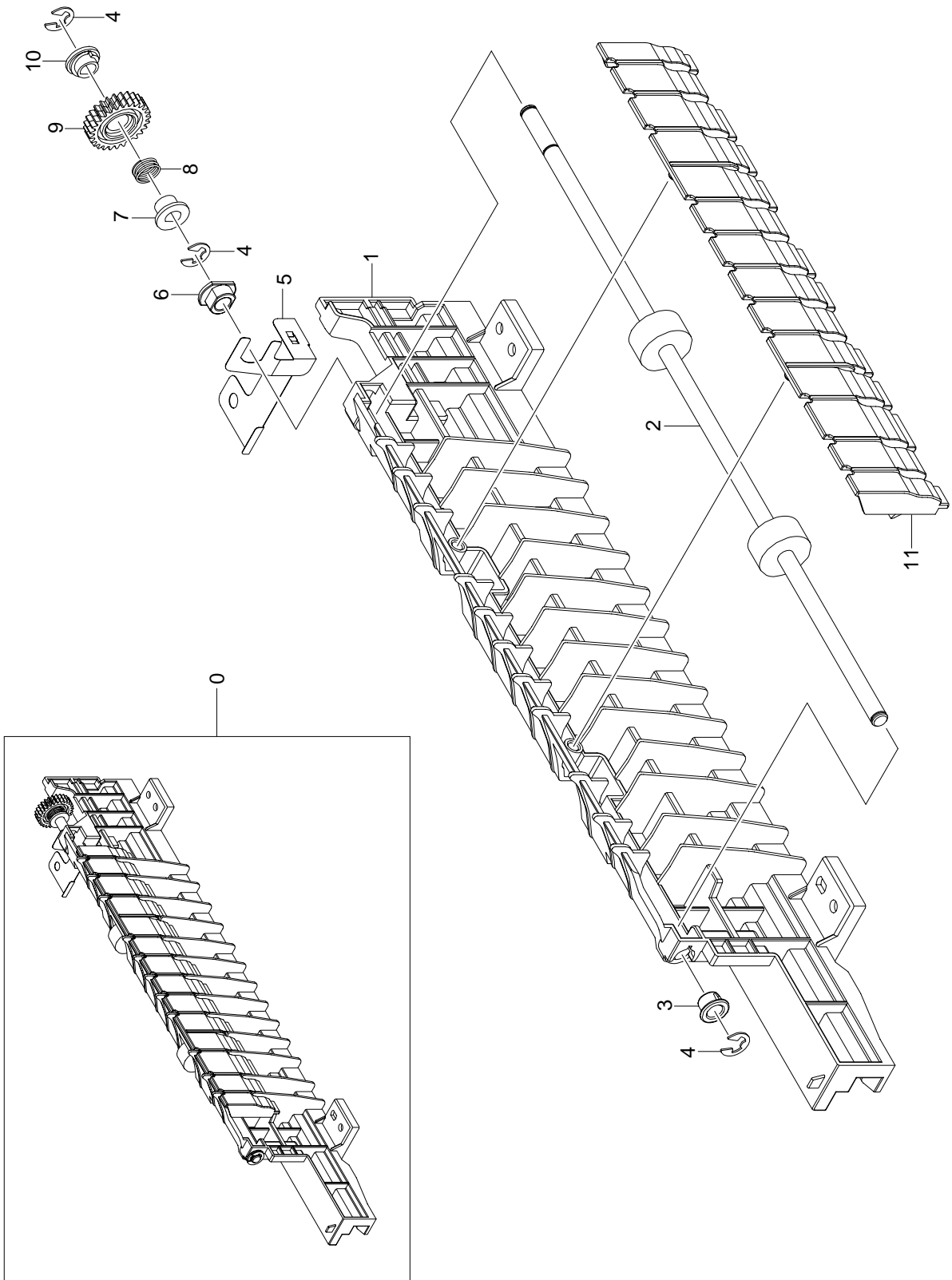
Pick Up Parts List

SA : Service Available

O : Service available X : Service not available

No.	SEC.Code	Description	SA	Remark
7.10-0	JC97-02149A	MEA UNIT-PICK UP;CLP-600,SEC,EXPORT,-,-,	M0019	SA
7.10-1	JC63-00573A	COVER-M-REGI FRAME;CLP-600,HIPS,1.5,253.	C0049	SNA
7.10-2	JC61-01023A	FRAME-P-REGI;CLP-600,SECC,-,-,-,T1.2,250	F0014	SNA
7.10-3	JC61-01272A	SPRING ETC-BUSH REGI;CLP-600,SWP-B,0.4,-	S0019	SA
7.10-4	JC61-00669A	BUSH-M-ROLLER REGI U;ML-2150,POM(CE20),6	B0029	SA
7.10-5	6044-000125	RING-E;ID4,OD9,T0.6,PASS,STSC	R0004	SA
7.10-6	JC72-00998A	PMO-ACTUATOR REGISHUTTER;ML-2150,ABS G/F	P0030	SA
7.10-7	JC66-00446A	SHAFT-REGI UPPER;ML-2150,SUM22,-,6,-,-,-	S0010	SA
7.10-8	JC67-00047A	CAP-M_BUSHING ACTUATOR;ML-2150,POM,-,-,-	C0006	SA
7.10-9	6031-001255	WASHER-PLAIN;NYLON,CUTTING,ID5,OD9,T0.5,	W0004	SA
7.10-10	JC66-00648A	ROLLER-M_REGI IDLE S25;ML-2150,POM,11.9,	R0015	SA
7.10-11	JC66-00647A	ROLLER-M_REGI IDLE L25;ML-2150,POM,12.4,	R0014	SA
7.10-12	6107-001158	SPRING-TS;SUS304-WPB,-,PI0.4,D6.7,-,-,-,	S0042	SA
7.10-13	JC61-01040A	HOLDER-M-SENSOR;CLP-600,HIPS,2.0,23.0,32	H0021	SA
7.10-14	0604-001095	PHOTO-INTERRUPTER;TR,90%,150mW,DIP-4,BK	P0013	SA
7.10-15	JC66-00765A	ROLLER-REGI LOWER;CLP-600,SUM24L,OD13.75	R0017	SA
7.10-16	JC61-01146A	BUSH-_M_ROLLER REGI L;CLP-600,POM,ID6.0,	B0023	SA
7.10-17	JC61-01128A	HOLDER-_M_GEAR REGI;CLP-600,POM,T1.3,ID6	H0010	SA
7.10-18	6107-001249	SPRING-CS;SUS304-WPB,-,PI0.5,D8.8,L6,-,-	S0038	SNA
7.10-19	JC66-00774A	GEAR-M-REGI;CLP-600,POM,M0.8,Z19,-,NTR,	G0033	SA
7.10-20	JC61-01128A	HOLDER-_M_GEAR REGI;CLP-600,POM,T1.3,ID6	H0010	SA
7.10-21	JC61-01039A	FRAME-M-PICK UP;CLP-600,PC+ABS,YGP 5001A	F0010	SNA
7.10-22	JC92-01661A	PBA SUB-FCF_EMP_SENSOR;CLP-600,SEC,KOREA	P0004	SA
7.10-23	JC61-01049A	PLATE-P-GROUND REGI;CLP-600,C5210P,T0.2,	P0025	SNA
7.10-24	JC61-01274A	SPRING ETC-ROLLER;CLP-600,SUS304-WPB,0.7	S0032	SA
7.10-25	JC66-00764A	ROLLER-IDLE FEED;CLP-600,POM,OD13.0,ID3.	R0013	SA
7.10-26	JC72-00719A	PMO-ACTUATOR EMPTY;SCX-5100,-,ABS,BLK,HB	P0029	SA
7.10-28	JC61-70950A	SPRING ETC-EXTENSION;ML-5000A,-,-,-,-,-,	S0022	SA
7.10-29	JC61-01038A	HOUSING-M-PICK UP;CLP-600,PC+GF20%,OD5,-	H0026	SNA
7.10-30	JC73-00224A	RUBBER-PICK UP MP;ML-3560,IR,D29.8,35,27	C4024	SA
7.10-31	JC72-41191B	PMO-BEARING SHAFT;ML-2150,POM,BLK,-,DE89	P0032	SA
7.10-32	JC66-00758A	SHAFT-PICK UP;CLP-600,PC+GF20%,72.5,4.0,	S0009	SA
7.10-33	JC66-00761A	GEAR-M-PICK UP;CLP-600,POM,M0.8,SPUR,Z50	G0032	SA
7.10-34	JC61-01029A	GUIDE-P-GEAR BRACKET;CLP-600,SECC,T1.2,1	G0059	SA
7.10-35	JC66-00759A	GEAR-M-MAIN;CLP-600,POM,M0.8,SPUR,Z31,-,	G0028	SA
7.10-36	JC66-00763A	GEAR-M-PICK UP IDLE;CLP-600,POM,M0.8,SPU	G0031	SA
7.10-37	JC66-00762A	GEAR-M-PICK UP IDLE 2;CLP-600,POM,M0.8,S	G0030	SA
7.10-38	JC66-00760A	GEAR-M-MP IDLE;CLP-600,POM,M0.8,SPUR,Z20	G0029	SA
7.10-39	JC33-00012B	SOLENOID-MAIN;DLH-34L080-10,CLP-600,24V,	S0015	SNA

8.11. Guide Paper



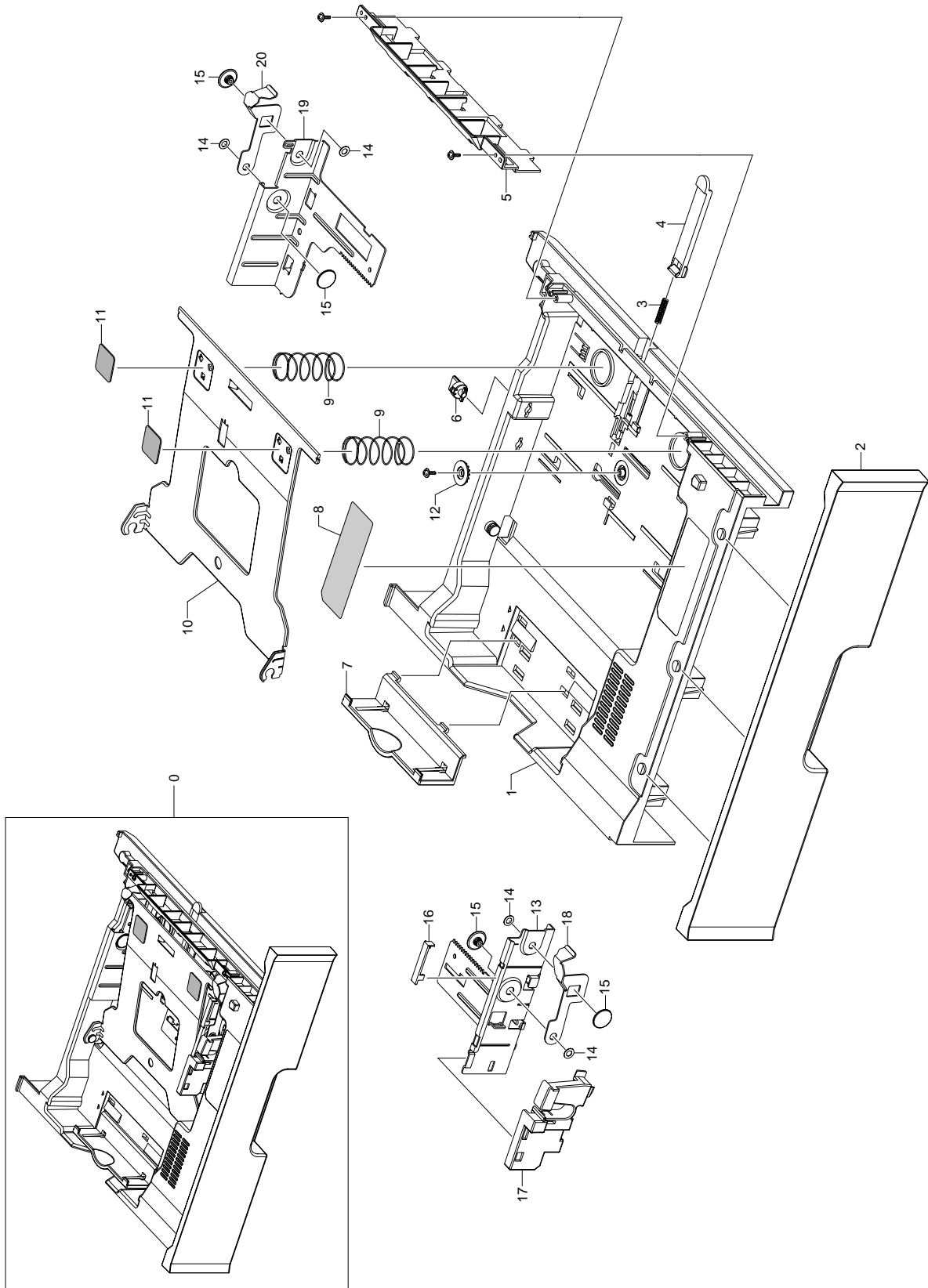
Guide Paper Parts List

SA : Service Available

O : Service available **X** : Service not available

No.	SEC.Code	Description	SA	Remark
7.11-0	JC97-02404A	MEA UNIT-GUIDE PAPER;CLP-600,SEC,EXPORT,	M0016	SA
7.11-1	JC61-01013A	GUIDE-_M_SCT PAPER UPPER;CLP-600,HIPS,2.	G0048	SNA
7.11-2	JC66-00903A	ROLLER-SHAFT FEED;CLP-600,SUM24L+EPDM,°ÖOS	R0018	SNA
7.11-3	JC72-41364A	PMO-BUSHING_P/U,MP;ML-6100,POM,BLACK,-,C	P0035	SA
7.11-4	6044-000125	RING-E;ID4,OD9,T0.6,PASS,STSC	R0004	SA
7.11-5	JC61-01021A	PLATE-P-GND FEED ROLLER;CLP-600,SUS304,T	P0020	SNA
7.11-6	JC61-00423A	BUSH-6_D;ML-9400W,BEARING OIL,-,-,NTR,	B0025	SA
7.11-7	JC61-01128A	HOLDER-_M_GEAR REGI;CLP-600,POM,T1.3,ID6	H0010	SA
7.11-8	6107-001249	SPRING-CS;SUS304-WPB,-,PI0.5,D8.8,L6,-,-	S0038	SNA
7.11-9	JC66-00773A	GEAR-_M_FEED;CLP-600,POM,M0.8,Z27,-,NTL,	G0007	SA
7.11-10	JC61-01127A	HOLDER-_M_CLUTCH GEAR;CLP-600,POM,ID6.0,	H0005	SA
7.11-11	JC61-01149A	GUIDE-_M_SCT PAPER LOWER;CLP-600,HIPS,HB	G0047	SNA

8.12. Cassette Unit



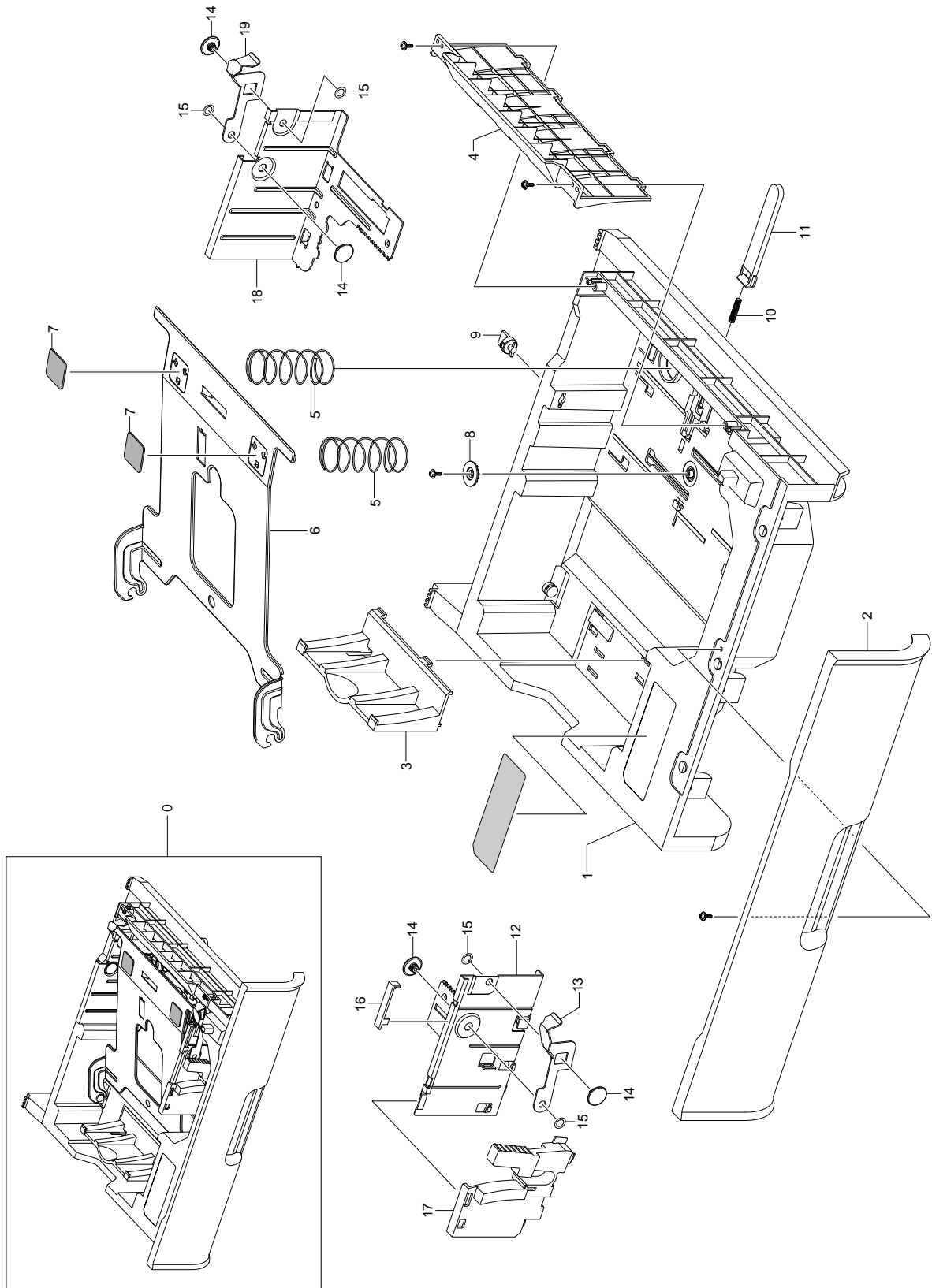
Cassette Unit Parts List

SA : Service Available

O : Service available X : Service not available

No.	SEC.Code	Description	SA	Remark
7.12-0	JC97-02192A	MEA UNIT-CASSETTE;CLP-600,SEC,EXPORT,-,-	M0009	SA
7.12-1	JC61-01022A	FRAME-M-CASSETTE;CLP-600,HIPS,HR-1360T,H	F0009	SNA
7.12-2	JC63-00572A	COVER-M-CASSETTE;CLP-600,ABS,3.0,429.6,1	C0046	SNA
7.12-3	JG61-70531A	SPRING ETC-LOCKER,PLATE;SF6000,STS304WPB	S0025	SA
7.12-4	JC72-01073A	PMO-LOCKER PLATE;CLP-500,POM,WHITE,-,M90	P0043	SA
7.12-5	JC61-01024A	GUIDE-M-FRONT CASSETTE;CLP-600,HIPS,HB,-	G0056	SNA
7.12-6	JC61-01037A	STOPPER-M-GUIDE SIDE;CLP-600,POM,OD12.0,	S0044	SA
7.12-7	JC61-01026A	GUIDE-M-REAR;CLP-600,HIPS,HB,3.0,128.0,4	G0057	SA
7.12-8	JC68-01527A	LABEL(R)-CASSETTE;COMMON,KOREA,YUPO,T0.2	L0004	SNA
7.12-9	6107-001200	SPRING-CS;SUS304-WPB,-,PI0.85,D21.85,L55	S0039	SNA
7.12-10	JC61-01030A	PLATE-P-KNOCK UP;CLP-600,SECC,T1.0,206.2	P0027	SNA
7.12-11	JC61-01129A	PLATE-KNOCK UP PAD;CLP-600,URETHANE SPON	P0017	SNA
7.12-12	JG66-40003A	GEAR-PINION;SF4000,POM,WHT,M1,Z16	G0035	SA
7.12-13	JC61-01027A	GUIDE-P-SIDE LEFT;CLP-600,SECC,T1.2,52.5	G0060	SNA
7.12-14	6031-001255	WASHER-PLAIN;NYLON,CUTTING,ID5,OD9,T0.5,	W0004	SA
7.12-15	JC61-00653A	BUSH-M-FINGER,F;ML-2150,POM,-,-,BLK,-	B0028	SA
7.12-16	JC63-00609A	COVER-_M_GUIDE SIDE L;CLP-600,POM,T1.2,W	C0032	SNA
7.12-17	JC61-01025A	GUIDE-M-SIDE LOCK;CLP-600,ABS,HB,2.0,52.	G0058	SNA
7.12-18	JC61-01031A	PLATE-P-FINGER LEFT;CLP-600,SUS,T1.2,71.	P0018	SNA
7.12-19	JC61-01028A	GUIDE-P-SIDE RIGHT;CLP-600,SECC,T1.2,91.	G0061	SNA
7.12-20	JC61-01032A	PLATE-P-FINGER RIGHT;CLP-600,SUS,T1.2,71	P0019	SNA

8.13. Cassette(SCF) => Option Cassette



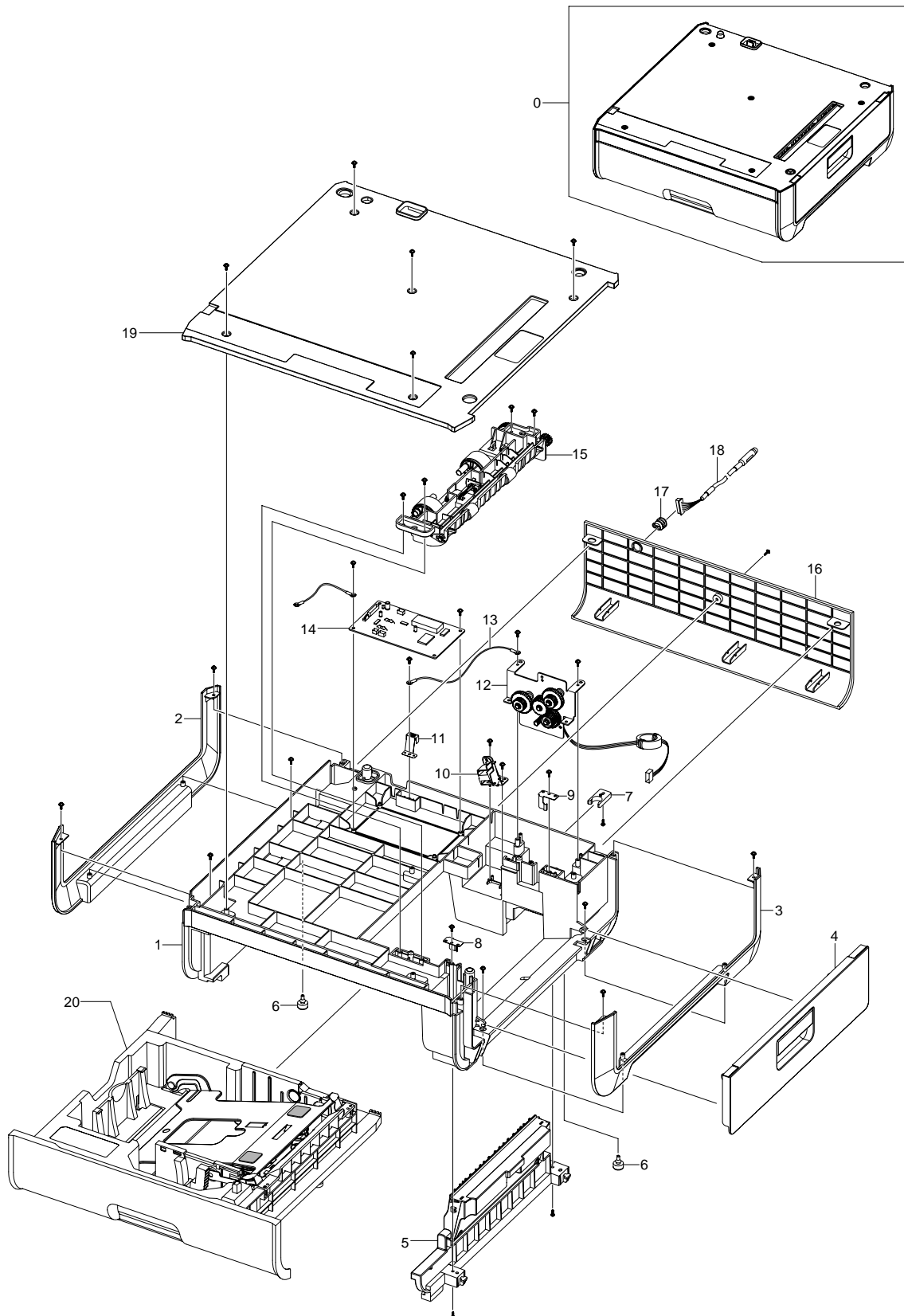
Cassette(SCF) Parts List => Option Cassette

SA : Service Available

O : Service available X : Service not available

No.	SEC.Code	Description	SA	Remark
7.13-0	CLP-600S5	COLOR LASER PRINTER SECOND CASSETTE;		SNA
7.13-1	JC61-01080A	FRAME-M-SCF;CLP-600,HIPS,VE1870U,V0,G71312,T3.0,W429.0,L301.9,-		SNA
7.13-2	JC64-00180A	DECORATION-M-LEFT SCF;CLP-600,HIPS,T3.0,W444.7,L133.8,HB,G71312,HR-1360T		SNA
7.13-3	JC64-00181A	DECORATION-M-RIGHT SCF;CLP-600,HIPS,T3.0,W444.7,L141.8,HB,G71312,HR-1360T		SNA
7.13-4	JC64-00183A	DOOR-_M_SIDE SCF;CLP-600,HIPS,HB,T3.0,-,W373.0,L99.7,G71312,HR-1360T		SNA
7.13-5	JC97-02250A	MEA HOU-LOWER SCF;CLP-600S5,SEC,EXPORT,SCF,-,-,-		SA
7.13-6	JC61-40001A	FOOT-ML80;ML-80,NBR,-,GRAY,-,-,-		SA
7.13-7	JC66-00050A	CAM-CATCH;ML-9400W,POM,-,34°ø18°ø7,WHITE,-,-,-,-		SA
7.13-8	JC70-00377A	IPR-PLATE LOCKER(L);MLC-500,SUS301 CSP,-,T0.5,-,-,-,-,-		SNA
7.13-9	JC70-00378A	IPR-PLATE LOCKER(R);MLC-500,SUS301 CSP,-,T0.5,-,-,-,-,-		SNA
7.13-10	JC33-00007A	SOLENOID-PICK UP,-,SCX-5100,DC 24V,80,36.5*17.7*1.2,-,300MA,-,-,-		SA
7.13-11	JC70-11028A	IPR-GROUND TOP;ML-6000,SUS304CSP3/4H,-,T0.2,-,-,-,-,-		SA
7.13-12	JC61-01087A	GUIDE-P-SIDE LEFT SCF;CLP-600,SECC,T1.2,W121.2,L112.4,-,-		SNA
7.13-13	JC61-01031A	PLATE-P-FINGER LEFT;CLP-600,SUS,T1.2,71.1,21.0,-,-		SNA
7.13-14	JC72-41364A	PMO-BUSHING_P/U,MP;ML-6100,POM,BLACK,-,CF-620,-,-,-,-		SA
7.13-15	6031-001255	WASHER-PLAIN;NYLON,CUTTING,ID5,OD9,T0.5,NTR		SA
7.13-16	JC63-00609A	COVER-_M_GUIDE SIDE L;CLP-600,POM,T1.2,W42.2,L7.5,HB,-,M90-44,NTL		SNA
7.13-17	JC61-01081A	GUIDE-M-SIDE LOCK SCF;CLP-600,ABS,HB,T2.0,W89.4,L79.9,G71312,HF-0660I		SNA
7.13-18	JC61-01088A	GUIDE-P-SIDE RIGHT SCF;CLP-600,SECC,T1.2,W120.7,L127.0,-,-		SNA
7.13-19	JC61-01032A	PLATE-P-FINGER RIGHT;CLP-600,SUS,T1.2,71.1,31.7,-,-		SNA
7.13-20	JC96-03491B	ELA UNIT-CASSETTE SCF;CLP-600,SEC,EXPORT,SCF,-,-,-		SA

8.14. SCF => Option Cassette



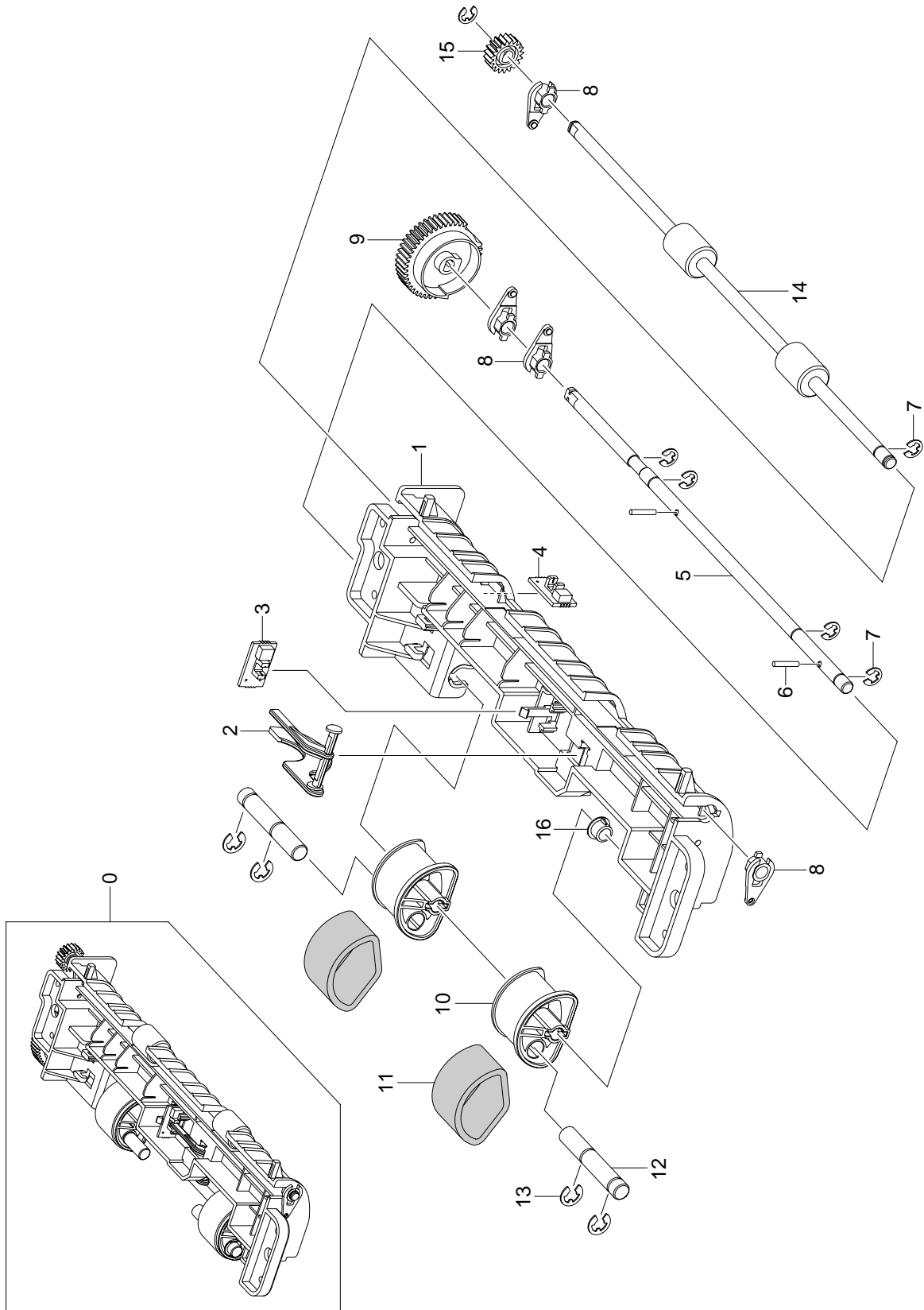
SCF Parts List => Option Cassette

SA : Service Available

O : Service available X : Service not available

No.	SEC.Code	Description	SA	Remark
7.14-0	JC96-03491B	ELA UNIT-CASSETTE SCF;CLP-600,SEC,EXPORT,SCF,-,-,-		SA
7.14-1	JC61-01079A	FRAME-M-CASSETTE SCF;CLP-600,HIPS,HR1360T,HB,G71312,T3.0,W350.6,L352.7,-		SNA
7.14-2	JC63-00596A	COVER-M-CST SCF;CLP-600,ABS,T2.5,W433.0,L111.0,V0,-,G71312,VH-0810		SNA
7.14-3	JC61-01085A	GUIDE-M-REAR SCF;CLP-600,HIPS,HB,T3.0,W127.0,L71.8,C75064,HR-1360T		SNA
7.14-4	JC61-01082A	GUIDE-M-FRONT SCF;CLP-600,HIPS,HB,T3.0,W204.0,L71.1,G71312,HR1360T		SNA
7.14-5	6107-001213	SPRING-CS;SWP-B,-,PI1.1,D23.7,L93.2,-,-,ID22.6,OD24.8		SNA
7.14-6	JC61-01089A	PLATE-P-KNOCK UP SCF;CLP-600,SECC,T1.0,W227.4,L283.0,-,-		SNA
7.14-7	JC61-01129A	PLATE-KNOCK UP PAD;CLP-600,URETHANE SPONGE,T0.9,W24.0,L24.0,BLK,-		SNA
7.14-8	JG66-40003A	GEAR-PINION;SF4000,POM,WHT,M1,Z16		SA
7.14-9	JC61-01037A	STOPPER-M-GUIDE SIDE;CLP-600,POM,OD12.0,-,20.0,NTR,M90-44		SA
7.14-10	JG61-70531A	SPRING ETC-LOCKER,PLATE;SF6000,STS304WPB,D4.0,-,33.3,33.3,-,-,-,-		SA
7.14-11	JC72-41210A	PMO-LOCKER PLATE;ML-6000,POM,WHT,HB,-		SA
7.14-12-1	JC61-01087A	GUIDE-P-SIDE LEFT SCF;CLP-600,SECC,T1.2,W121.2,L112.4,-,-		SNA
7.14-12-2	JC61-01031A	PLATE-P-FINGER LEFT;CLP-600,SUS,T1.2,71.1,21.0,-,-		SNA
7.14-12-3	JC72-41364A	PMO-BUSHING_P/U,MP;ML-6100,POM,BLACK,-,CF-620,-,-,-,-		SA
7.14-12-4	6031-001255	WASHER-PLAIN;NYLON,CUTTING,ID5,OD9,T0.5,NTR		SA
7.14-12-5	JC63-00609A	COVER- M_GUIDE SIDE L;CLP-600,POM,T1.2,W42.2,L7.5,HB,-,M90-44,NTL		SNA
7.14-12-6	JC61-01081A	GUIDE-M-SIDE LOCK SCF;CLP-600,ABS,HB,T2.0,W89.4,L79.9,G71312,HF-0660I		SNA
7.14-13-1	JC61-01088A	GUIDE-P-SIDE RIGHT SCF;CLP-600,SECC,T1.2,W120.7,L127.0,-,-		SNA
7.14-13-2	JC61-01032A	PLATE-P-FINGER RIGHT;CLP-600,SUS,T1.2,71.1,31.7,-,-		SNA
7.14-14	JC92-01732A	PBA SUB-SCF ;CLP-600,SEC,KOREA,140*80MM,SCF PBA,-,-,-,-		SA

8.15. Guide Upper(SCF) => Option Cassette



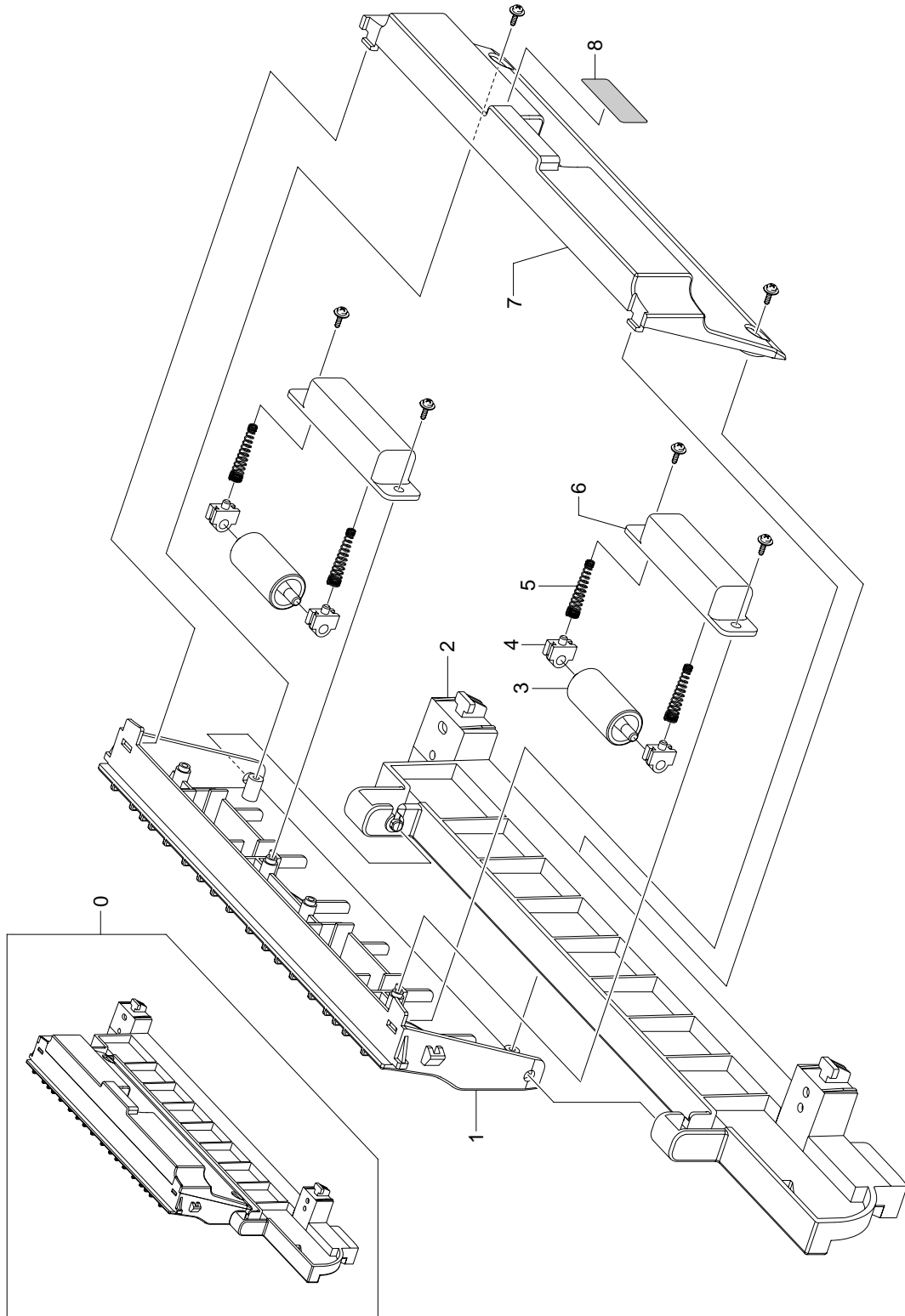
Guide Upper(SCF) Parts List => Option Cassette

SA : Service Available

O : Service available X : Service not available

No.	SEC.Code	Description	SA	Remark
7.15-0	JC97-02250A	MEA HOU-LOWER SCF;CLP-600S5,SEC,EXPORT,SCF,-,-,-		SA
7.15-1	JC61-01083A	GUIDE-M-LOWER SCF;CLP-600,PC+ABS,HB,T3.0,W227.5,L71.4,BK701,C6600		SNA
7.15-2	JC61-01084A	GUIDE-M-LOWER RAIL SCF;CLP-600,HIPS,HB,T2.5,W350.8,L74.0,G71312,HR1360T		SNA
7.15-3	JC72-00659A	PMO-IDLE ROLLER SCF16;ML-7250,DIA15,POM,WHITE,HB,-,-		SA
7.15-4	JC72-00658A	PMO-BUSH IDLE ROLL-SCF16;ML-7250,DIA9,POM,WHITE,HB,-,-		SA
7.15-5	6107-001222	SPRING-CS;SUS304WPB,ZN PLATE,PI0.4,D3.8,D4.8,L25,-,-,-,-		SA
7.15-6	JC72-00660A	PMO-HOLDER IDLE ROLL16;ML-7250,ABS,BLACK,81*17,-,V0,-,-,-		SA
7.15-7	JC63-00597A	COVER-M-GUIDE LOWER SCF;CLP-600,HIPS,T2.5,W227.5,L73.9,HB,-,G71312,HR-1360T		SNA
7.15-8	JC68-01303A	LABEL(P)-SCF JAM D;COMMON,XEROX,YUPO PAPER,80G,W40,L13,-,WHITE,-,-,,COMMON		SNA

8.16. Guide Lower(SCF) => Option Cassette



Guide Lower(SCF) Parts List => Option Cassette

SA : Service Available

O : Service available X : Service not available

No.	SEC.Code	Description	SA	Remark
7.16-0	JC97-02251A	MEA HOU-UPPER SCF;CLP-600S5,SEC,EXPORT,SCF,-,-,-		SA
7.16-1	JC61-01086A	GUIDE-M-UPPER SCF;CLP-600,PC+ABS,HB,T3.0,W275.0,L83.3,BK701,C6600		SNA
7.16-2	JC72-01313A	PMO-M-ACTUATOR_NO PAPER;SCX-5315F,ABS HF06601,G6972(GRAY),-HB,-,-,-,-		SA
7.16-3	JC92-01501A	PBA SUB-SCF P_EMPTY SENSOR;MLC-500,SEC,KOREA,SCF P.EMPTY SENSOR,RPI-441CN ,22MM X 12.5MM X 1.6T,-,-,-		SA
7.16-4	JC92-01364A	PBA SUB-EXIT SEN;SCX-5100,XEROX,USA,EXIT SENSOR,RPI-441CN,375MM,-,22MM X 12.5MM X 1.6T,MCK_SENSOR		SA
7.16-5	JC66-00785A	SHAFT-P-FEED ROLLER SCF;CLP-600,SUM24L,L287.2,*6,-,-,NI		SNA
7.16-6	JB70-00168A	ICT-PIN ADF;SCX-1110F,STS303,D2.0,-,-,-,L10.0,-,-		SA
7.16-7	6044-000125	RING-E;ID4,OD9,T0.6,PASS,STSC		SA
7.16-8	JC72-41191A	PMO-BEARING SHAFT;ML-6000,POM,WHT,-,M90-44,-,-,-,-		SA
7.16-9	JC66-00786A	GEAR-M-PICK UP SCF;CLP-600,POM,M0.8,SPUR,Z47,-,NTR,-,M90-44,-		SA
7.16-10	JC61-00822A	HOUSING-M-PICKUP LARGE;SCX-5315F,PC ABS,-,20.4,-,IVORY,-		SNA
7.16-11	JC73-00145A	RUBBER-ROLLER PICKUP;SCX-5315F,EPDM+IR,PI 32.5,30,W20.7,-,-,-,-,-		SA
7.16-12	JC66-00596A	SHAFT-PICK_UP SUB;SCX-5315F,SUM 22,50,D7.0,-,-,-,NI		SA
7.16-13	6044-000231	RING-E;ID5.0,OD11.0,T0.6,PASS,STS304		SA
7.16-14	JC66-00787A	SHAFT-P-PICK UP SCF;CLP-600,SUM24L,267.4,*6,-,-,NI		SNA
7.16-15	JC66-40955A	GEAR-FEED (SCF);ML-6000,POM,WHT,HB,-		SA
7.16-16	JC72-41364A	PMO-BUSHING_P/U,MP;ML-6100,POM,BLACK,-,CF-620,-,-,-,-		SA
	JC97-02211B	MEA UNIT-MAIN FRAME;CLP-600,SEC,EXPORT,-		SA
	1103-001211	IC-EEPROM;24C16,2Kx8Bit,DIP,8P,10.16x7.1		SA
	2401-001946	C-AL;330uF,20%,50V,GP,TP,10x16,5mm		SA
	2801-004451	CRYSTAL-UNIT;31.00504519MHZ,50PPM,49/S-4		SA
	3501-001263	RELAY-POWER;5V,530mW,10000mA,1FormA,7mS,		SA
	3711-000198	HEADER-BOARD TO CABLE;1WALL,3P,1R,2.5MM,		SA
	3711-000203	HEADER-BOARD TO CABLE;1WALL,2P/3P,1R,7.9		SA
	3711-002813	HEADER-BOARD TO CABLE;BOX,12P,1R,2mm,STR		SA
	3711-003035	HEADER-BOARD TO CABLE;BOX,14P,2R,2mm,STR		SA
	3711-003981	HEADER-BOARD TO CABLE;BOX,28P,2R,2mm,STR		SA
	3711-004379	HEADER-BOARD TO CABLE;BOX,4P,1R,2MM,STRA		SA
	3722-002303	JACK-USB;4P/1C,AU30U,BLK,ANGLE,B TYPE		SA
	6002-000308	SCREW-TAPTITE;PH,+,B,M2.6,L6,ZPC(YEL),SW		SA
	6902-000390	BAG PE;LDPE,T0.05,W500,L450,TRP,8,2-		SA
	JC39-00001A	CBF INTERFACE-USB;ML-6100,4,UL2725,1800	K2897	SA
	JC39-00366A	CBF HARNESS-SCF GND;SCX-4920N,CBF,UL1007	H1231	SA
	JC39-00398A	CBF HARNESS-PANEL;CLP-600,WIRE HARNESS,U	H2133	SA
	JC39-00423A	CBF HARNESS-STEPMOTOR;CLP-600,CBF HARNES		SA
	JC39-00432A	CBF HARNESS-BLDC;CLP-600,CBF HARNESS,UL1		SA
	JC39-00503A	CBF HARNESS-M_FUSER;CLP-600,CBF-HARNESS,		SA
	JC39-00561A	CBF HARNESS-FUSER3;CLP-600,CBF HARNESS,U		SA
	JC61-01639A	BUSH-M-RELEASE LEVER;CLP-600,PET GF 30%,		SA
	JC61-01678A	SPRING ETC-DEV_FRONT;CLP-600,SWP-B,0.65,		SA
	JC61-01685A	SPRING ETC-DUMMY;CLP-600,SUS,0.5,-,-,-,20.		SA

Guide Lower(SCF) Parts List => Option Cassette

SA : Service Available

O : Service available X : Service not available

No.	SEC.Code	Description	SA	Remark
	JC61-70932A	SPRING ETC-GUIDE DEVE;ML-5000A,-,D4.3,-,		SA
	JC61-70935A	SPRING ETC-SEPERATE P/UP;ML-5000A,-,-,-,		SA
	JC61-70967A	SPRING ETC-TR R;ML-5000A,SUS304 WPB,D4.5		SA
	JC63-00613B	COVER-M_OP FRAME LCD;CLP-600N,HIPS,T2.5,		SA
	JC63-01029A	SHEET-PTB CLEANING;CLP-600,PET,T0.188,W1		SA
	JC66-00746B	GEAR-M_DEVE DRV2_ZZ1;CLP-600,POM,M0.8,Z2		SA
	JC66-01200A	LEVER-M-RELEASE;CLP-600,PC,-,W36.0,L20.0		SA
	JC68-01584A	LABEL(P)-BLANK 90*25;CLP-510,SEE,ART 100		SA
	JC96-03655A	ELA UNIT-CARBON&SP;ML-3560,SEC,USA,BRUSH	K3054	SA
	JC96-03839A	ELA UNIT-HR 220V;CLP-600,SEC,EXPORT,-,-,		SA
	JC96-03933A	ELA UNIT-DUCT SMPS;CLP-600,SEC,EXPORT,-,-,		SA
	JC97-02617A	MEA UNIT-PR;CLP-600,SEC,EXPORT,-,-,-,-		SA
	0501-000294	TR-SMALL SIGNAL;KSA708-Y,PNP,800mW,TO-92		SA
	0601-000003	LED;ROUND,RED/GRN,3.1MM,650/563NM,3.8X5.		SA
	0601-001619	LED;CBI,RED/GRN,3MM,635/568NM,6.35X7X6MM		SA
	0601-001830	LED;SMD,GRN,1.6x0.8x0.4mm,570nm,1.6x0.8x		SA
	0803-003263	IC-CMOS LOGIC;74LCX07,HEX BUFFER,SOIC,14		SA
	0904-001989	IC-USC;ISP1582BS,-,HVQFN56,56P,8X8X0.85M		SA
	1001-000170	IC-ANALOG SWITCH;MC14051BD,SPDT CMOS,SOP		SA
	1105-001384	IC-DRAM;K4S561632,-,256MBIT,4X4MX16BIT,T		SA
	1202-000164	IC-VOLTAGE COMP.;393,SOP,8P,150MIL,DUAL,		SA
	1203-002454	IC-POSI.FIXED REG.;FAN1117A,TO-252,3P,25		SA
	2007-000067	R-CHIP;15Kohm,1%,1/10W,TP,1608		SA
	2007-000071	R-CHIP;22ohm,5%,1/10W,TP,1608		SA
	2007-000079	R-CHIP;1.8Kohm,5%,1/10W,TP,1608		SA
	2007-000080	R-CHIP;2Kohm,5%,1/10W,TP,1608		SA
	2007-000083	R-CHIP;3Kohm,5%,1/10W,TP,1608		SA
	2007-000084	R-CHIP;4.7Kohm,5%,1/10W,TP,1608		SA
	2007-000093	R-CHIP;20Kohm,5%,1/10W,TP,1608		SA
	2007-000102	R-CHIP;100Kohm,5%,1/10W,TP,1608		SA
	2007-000105	R-CHIP;200Kohm,5%,1/10W,TP,1608		SA
	2007-000109	R-CHIP;1Mohm,5%,1/10W,TP,1608		SA
	2007-000122	R-CHIP;1.2Kohm,5%,1/10W,TP,1608		SA
	2007-000123	R-CHIP;1.5Kohm,5%,1/10W,TP,1608		SA
	2007-000309	R-CHIP;10ohm,5%,1/10W,TP,1608		SA
	2007-000669	R-CHIP;2Kohm,1%,1/10W,TP,1608		SA
	2007-001014	R-CHIP;51OHM,5%,1/10W,TP,1608		SA
	2007-001134	R-CHIP;68ohm,5%,1/10W,TP,1608		SA
	2007-001179	R-CHIP;8.2Kohm,5%,1/10W,TP,1608		SA
	2007-002425	R-CHIP;1ohm,5%,1/10W,TP,1608		SA
	2007-002901	R-CHIP;12.1Kohm,1%,1/10W,TP,1608		SA
	2007-002910	R-CHIP;30.1Kohm,1%,1/10W,TP,1608		SA
	2011-001193	R-NET;68ohm,5%,1/16W,L,CHIP,8P,TP		SA

Guide Lower(SCF) Parts List => Option Cassette

SA : Service Available

O : Service available X : Service not available

No.	SEC.Code	Description	SA	Remark
	2011-001261	R-NET;33ohm,5%,1/16W,L,CHIP,8P,TP,2.0x1.		SA
	2203-000257	C-CER,CHIP;10nF,10%,50V,X7R,1608		SA
	2203-000815	C-CER,CHIP;0.033nF,5%,50V,C0G,1608		SA
	2203-001071	C-CER,CHIP;0.056nF,5%,50V,C0G,1608		SA
	2203-001086	C-CER,CHIP;0.005nF,0.25pF,50V,NP0,TP,160		SA
	2203-001598	C-CER,CHIP;2200nF,+80-20%,16V,Y5V,TP,201		SA
	2203-001607	C-CER,CHIP;0.22nF,5%,50V,NP0,1608		SA
	2203-005105	C-CER,CHIP;0.68nF,5%,50V,C0G,1608		SA
	2203-006818	C-CER,CHIP;47000nF,20%,6.3V,X5R,3216		SA
	2401-000042	C-AL;100uF,20%,16V,GP,TP,6.3x7.5		SA
	2401-004099	C-AL;330UF,20%,6.3V,NXB,TP,6.3X11MM,5		SA
	2402-000008	C-AL,SMD;47uF,20%,16V,GP,TP,6.6x6.6x5.4		SA
	2402-001042	C-AL,SMD;100uF,20%,16V,GP,TP,6.6x6.6x5.4		SA
	2402-001049	C-AL,SMD;10uF,20%,16V,GP,TP,3.3x3.3x5.4		SA
	2402-001106	C-AL,SMD;33UF,20%,50V,WT,TP,8.3X8.3X6.3M		SA
	2402-001178	C-AL,SMD;10uF,20%,16V,WT,TP,4.3x4.3x5.8m		SA
	2901-001178	FILTER-EMI SMD;25V,2A,-,100000pF,2x1.25x		SA
	3301-001655	BEAD-SMD;33ohm,3216,3000mA,TP,16ohm/39MH		SA
	3404-000165	SWITCH-TACT;12V,50mA,160gf,6x6mm,SPST		SA
	3711-000840	HEADER-BOARD TO CABLE;BOX,30P,2R,2MM,STR		SA
	3711-003942	HEADER-BOARD TO CABLE;BOX,2P,1R,2mm,STRA		SA
	3711-004349	HEADER-BOARD TO CABLE;BOX,3P,1R,2MM,STRA		SA
	3711-004487	HEADER-BOARD TO BOARD;BOX,80P,2R,0.8MM,S		SA
	3722-001319	JACK-MODULAR;8P/8C,STANDARD,Y,ANGLE,INVE		SA
	6003-000269	SCREW-TAPTITE;BH,+,-,S,M3,L6,ZPC(YEL),SW		SA
	6003-001086	SCREW-TAPTITE;BH,+,-,B,M3,L12,ZPC(BLK),SWR	-	SA
	JC07-00008A	LCD-DISPLAY(XIL);VHX12323ASR,SCX-4521F,1		SA
	JC13-00029A	IC ASIC-DAVINCI;LPEC2,CLP-600,208,3.3V,-		SA
	JC13-00030A	IC ASIC-HYPER_C;HYPER-C,CLP-600,256,3.3V		SA
	JC39-00306A	CBF HARNESS-LCD;CLP-500,WIRE,UL2877,14-1		SA
	JC39-00425A	CBF HARNESS-SET_CR2;CLP-600,CBF HARNESS,		SA
	JC39-00429A	CBF HARNESS-TH_NEW;CLP-600,CBF HARNESS,U		SA
	JC39-00442A	CBF HARNESS-NEW_FUSER;CLP-600,CBF HARNES		SA
	JC39-00508A	CBF HARNESS-GND2;CLP-600,CBF HARNESS,UL1		SA
	JC63-00896A	FILTER-TONER;CLP-600,POLYESTERE,10.0T,W2		SA
	JC63-00904A	SHEET-FILTER TONER;CLP-600,PET,T0.125,W2		SA
	0402-000129	DIODE-RECTIFIER;1N4003,200V,1A,DO-41,TP		SA
	0407-000101	DIODE-ARRAY;DA204K,20V,100mA,C2-3,SOT-23		SA
	0501-000010	TR-SMALL SIGNAL;KSC1008,NPN,800mW,TO-92,		SA
	0501-000279	TR-SMALL SIGNAL;KSA1182-Y,PNP,150mW,SOT-		SA
	0501-000457	TR-SMALL SIGNAL;MMBT2222A,NPN,350MW,SOT-		SA
	0505-001350	FET-SILICON;NDT2955,P,-60V,-2.5V,0.3OHM,		SA
	0604-001264	PHOTO-INTERRUPTER;TR,-,-,REFLECTIVE,-		SA

Guide Lower(SCF) Parts List => Option Cassette

SA : Service Available

O : Service available X : Service not available

No.	SEC.Code	Description	SA	Remark
	0903-001355	IC-MICROCONTROLLER;S3C2510A,32BIT,BGA,41		SA
	1003-001535	IC-MOTOR DRIVER;A3977SLP,TSSOP,28P,9.6X4		SA
	1105-001357	IC-DRAM;K4S281632,4X2MX16BIT,TSOP(II),54		SA
	1203-002220	IC-POS.ADJUST REG.;LD1117,DPAK,3P,240MI		SA
	1205-002339	IC-CLOCK GENERATOR;CY25811SC,SOIC,8P,150		SA
	2005-000168	R-WIRE WOUND,NON;0.22ohm,5%,2W,AA,BK,4x1		SA
	2007-000033	R-CHIP;0ohm,5%,1/4W,TP,3216		SA
	2007-000043	R-CHIP;1Kohm,1%,1/10W,TP,1608		SA
	2007-000052	R-CHIP;10Kohm,1%,1/10W,TP,1608		SA
	2007-000070	R-CHIP;0ohm,5%,1/10W,TP,1608		SA
	2007-000074	R-CHIP;100ohm,5%,1/10W,TP,1608		SA
	2007-000076	R-CHIP;330ohm,5%,1/10W,TP,1608		SA
	2007-000077	R-CHIP;470ohm,5%,1/10W,TP,1608		SA
	2007-000078	R-CHIP;1Kohm,5%,1/10W,TP,1608		SA
	2007-000086	R-CHIP;5.6Kohm,5%,1/10W,TP,1608		SA
	2007-000090	R-CHIP;10Kohm,5%,1/10W,TP,1608		SA
	2007-000094	R-CHIP;22Kohm,5%,1/10W,TP,1608		SA
	2007-000096	R-CHIP;30Kohm,5%,1/10W,TP,1608		SA
	2007-000098	R-CHIP;56Kohm,5%,1/10W,TP,1608		SA
	2007-000113	R-CHIP;33ohm,5%,1/10W,TP,1608		SA
	2007-000134	R-CHIP;33Kohm,5%,1/10W,TP,1608		SA
	2007-000287	R-CHIP;100OHM,1%,1/10W,TP,1608		SA
	2007-000475	R-CHIP;1Mohm,1%,1/10W,TP,1608		SA
	2007-000539	R-CHIP;200ohm,5%,1/10W,TP,1608		SA
	2007-000608	R-CHIP;240ohm,5%,1/10W,TP,1608		SA
	2007-000839	R-CHIP;39ohm,5%,1/10W,TP,1608		SA
	2007-000965	R-CHIP;5.1Kohm,5%,1/10W,TP,1608		SA
	2007-001002	R-CHIP;510ohm,5%,1/10W,TP,1608		SA
	2008-000166	R-FUSIBLE;56ohm,5%,1/4W,AA,TP,2.6x6.7mm		SA
	2011-001094	R-NET;39OHM,5%,1/16W,L,CHIP,8P,TP		SA
	2203-000041	C-CER,CHIP;0.01nF,0.25pF,50V,C0G,1608		SA
	2203-000189	C-CER,CHIP;100nF,+80-20%,25V,Y5V,1608		SA
	2203-000192	C-CER,CHIP;100nF,+80-20%,50V,Y5V,TP,2012		SA
	2203-000236	C-CER,CHIP;0.1nF,5%,50V,C0G,1608		SA
	2203-000426	C-CER,CHIP;0.018nF,5%,50V,C0G,1608		SA
	2203-000440	C-CER,CHIP;1nF,10%,50V,X7R,1608		SA
	2203-000626	C-CER,CHIP;0.022nF,5%,50V,C0G,1608		SA
	2203-000783	C-CER,CHIP;0.33nF,5%,50V,C0G,1608		SA
	2203-000998	C-CER,CHIP;0.047nF,5%,50V,C0G,1608		SA
	2203-002392	C-CER,CHIP;220nF,+80-20%,50V,Y5V,2012		SA
	2401-002300	C-AL;47uF,20%,50V,GP,TP,6.3x11.5		SA
	2404-000284	C-TA,CHIP;10uF,20%,16V,-,TP,3528		SA
	6003-000282	SCREW-TAPTITE;BH,+,-,B,M3,L8,ZPC(BLK),SW		SA

Guide Lower(SCF) Parts List => Option Cassette

SA : Service Available

O : Service available X : Service not available

No.	SEC.Code	Description	SA	Remark
	JC39-00421A	CBF HARNESS-SOLENOID;CLP-600,CBF HARNESS		SA
	JC39-00422A	CBF HARNESS-SET_CR;CLP-600,CBF HARNESS,U		SA
	JC39-00505A	CBF HARNESS-FUSER_AC;CLP-600,CBF HARNESS		SA
	JC39-00575A	CBF HARNESS-FAN;CLP-600,CBF-HARNESS,UL10		SA
	JC39-00588A	HARNESS-TEMP;CLP-600,WIRE HARNESS,UL1061		SA
	JC61-01017A	HOLDER-_M_MIDDLE PART;CLP-600,PET+GF30%,		SA
	JC70-10961A	IPR-TERMINAL FU;ML-165,C5210P,-,T0.3,-,-	K3422	SA
	JC72-01140A	PMO-COVER FUSER AC;CLP-500,PBT+GF30%,BLA	Z2607	SA
	JC73-00226A	RUBBER-PICK UP;CLP-600,EPDM+IR,-,30,-,GR		SA
	JC96-02686B	ELA UNIT-ROLLER P/UP MP;ML-3560,XEROX/SE	K3144	SA
	JC97-02150A	MEA UNIT-REGI;CLP-600,SEC,EXPORT,-,-,-,-		SA
	1103-001183	IC-EEPROM;24C04,512x8,SOP,8P,5x4mm,2.5/5		SA
	6003-000196	SCREW-TAPTITE;PWH,+ ,B,M3,L10,NI PLT,SWRC		SA
	JC39-00420A	CBF HARNESS-FEED;CLP-600,CBF HARNESS,UL1		SA
	JC39-00427A	CBF HARNESS-DEVE_IF;CLP-600,CBF HARNESS,		SA
	JC39-00430A	CBF HARNESS-FCF_EMPT;CLP-600,CBF HARNESS		SA
	JC61-00705A	HOLDER-M-PICKUP MP;ML-2150,POM,-,-,-,BLK	P2062	SA
	JC61-70929A	SPRING ETC-HV LARGE;ML-5000A,SUS304-WPB,		SA
	JC70-40912A	ICT-SHAFT HV LARGE;ML-5000A,SWCH18A,-, ¥ ÷	S4027	SA
	JC73-00224A	RUBBER-PICK UP MP;ML-3560,IR,D29.8,35,27	C4024	SA
	2001-000281	R-CARBON;100OHM,5%,1/8W,AA,TP,1.8X3.2MM		SA
	3711-005851	HEADER-BATTERY;NOWALL,2P,1R,4.25MM,BATTE		SA