



Parts Catalog - CLP-620ND CLP-670N/670ND



- Printing speed
 - CLP-620 series : Black/Color 20 ppm (A4)
 - CLP-670 series : Black/Color 24 ppm (A4)
- Resolution : up to 9600x600 dpi effective output
- Toner cartridge
 - Initial : 2.5K/ 2K (black/ color)
 - Sales : 2.5K/2K (black/ color), 5K/4K (black/ color)
- Machine Life : 200K or 5 years
- Paper handling
 - Max. 850 sheets paper capacity
 - 250 sheets cassette, 500 sheets option cassette
 - MP tray : 100 sheets
- Memory
 - CLP-620 series : 256 MB (Max. 512 MB)
 - CLP-670 series : 256 MB (Max. 784 MB)
- Network, USB 2.0
- 2 Line LCD

**This Parts Catalog is a property of Samsung Electronics Co.,Ltd.
Any unauthorized use of this manual can be punished under
applicable International and/or domestic law.**

Exploded View and Parts List

Contents

Harness Connection Table	4
Thumbnail	6
1. Main	7
2. COVER	9
3. TOP COVER.....	11
4. FRONT COVER	13
5. FRAME	15
6. DRIVE_FUSER-BRACKET	17
7. FRAME-BOTTOM	19
8. FRAME-LEFT	21
9. FRAME-RIGHT	23
10. FEED DRIVE	25
11. FUSER.....	27
12. Cassette	30
13. SCF Unit	32
14. SCF Cassette.....	34

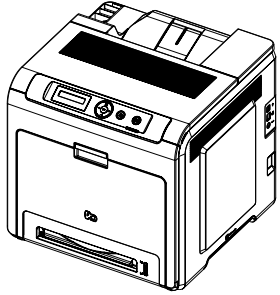
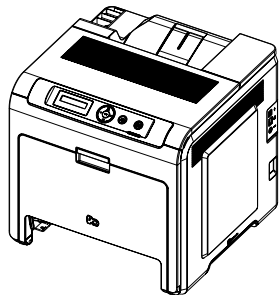
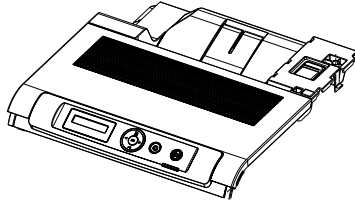
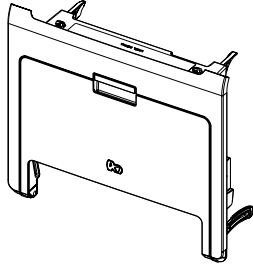
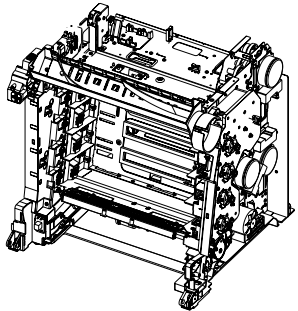
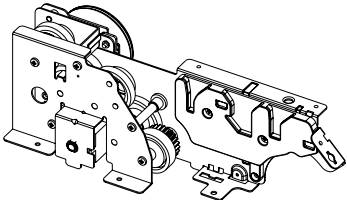
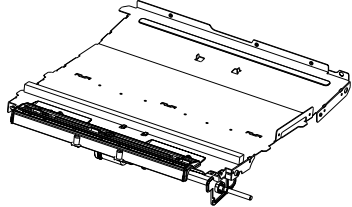
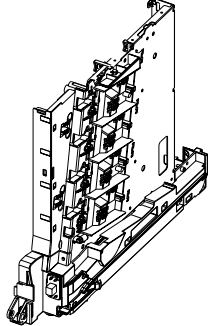
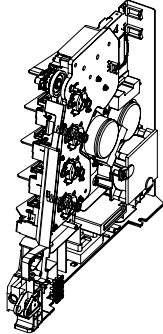
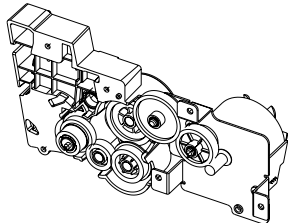
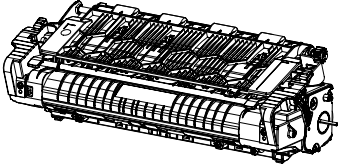
Harness Connection Table

No.	Parts Code	Description	Connection	Pin		Spec.
1	JC39-01339A	MP DRAWER_MP	CASSETTE <-> MP SOLENOID/MP EMPTY SENSOR	5p/4p	2p/3p	CLP-620ND,2p,3p,4p,150mm/275mm/50mm,BLK/GRAY,26AWG,173977-2 / 177977-3,50212-8000,UL1061
2	JC39-00668A	FUSER DRAW_F	FUSER	2p	2p	CLP-660,UL3398,2PIN,65mm/105mm,WHT,16AWG,292182-8
3	JC39-01049A	FUSER GND	FUSER <-> SET FRAME	4p	2p	CLP-770ND,4p/2p,50mm,WHT,26AWG,YBH200-02,35750-0510,UL3398
4	JC39-00938A	BLDC_CLU_FAN	MAIN PBA <-> FUSER BLDC/FAN/K CLUTCH	15p	10p/2p	CLP-660,UL10272,10P/2P/2P,225mm/300mm/75mm,BLK/GRAY,26AWG,1-173977-5,1-173977-0/173977-2
5	JC39-01026A	OPC BLDC	MAIN PBA <-> OPC BLDC	10p	10p	CLP-770ND,10p/10p,425mm,BLK/GRAY,26AWG,1-173977-0,1-173977-0,UL10272
6	JC39-01028A	DEVE BLDC PICKUP SOL	MAIN PBA <-> DEVE BLDC/PICKUP SOLENOID	12p	10p/2p	CLP-770ND,12p/10p2p,325mm/650mm,BLK/GRAY,26AWG,1-173977-2,1-173977-0/173977-2,UL10272
7	JC39-01249A	FEEDSTEP_MOTOR	MAIN PBA <-> FEED STEP MOTOR	4p	4p	CLP-670ND,4p,550mm,BLK/GRAY,26AWG,173977-4,173977-4,UL10272
8	JC39-01337A	EXIT_STEP MOTOR	MAIN PBA <-> EXIT STEP MOTOR	4p	4p	CLP-670ND,4p,550mm,BLK/GRAY,26AWG,173977-4,173977-4,UL10272
9	JC39-01340A	HVPS_24V	MAIN PBA <-> HVPS	2p	2p	CLP-670ND,2p,650mm,BLK/GRAY,18AWG,YH396-03,YH396-03,UL1061
10	JC39-01250A	FUSERDRAW_FR_DUAL(CLP-670)	MAIN PBA <-> FUSER FDB <-> FUSER HVPS <-> FUSER	4p 3p 1p	4p 3p 1p	CLP-670ND,3p,1p,4p,600mm450mm300mm,BLK/GRAY,16AWG,292185-8,DF22R-3S-7.92C,UL1617
11	JC39-01251A	FUSERDRAW_FR_SINGLE(CLP-620)	MAIN PBA <-> FUSER FDB <-> FUSER HVPS <-> FUSER	4p 3p 1p	4p 3p 1p	CLP-620ND,2p,1p,4p,600mm450mm300mm,BLK/GRAY,16AWG,292185-8,MG610599,UL1617
12	JC39-00665A	EMPT FEED_FR	EMP/FEED SENSOR <-> HVPS	6p	3p	CLP-660,UL10272,3PIN/3PIN,150mm/225mm,BLK/GRAY,26AWG,173977-6,173977-3,UL10272
13	JC39-00666A	MP DRAW_FR	SET FRAME <-> HVPS	6p	2p	CLP-660,UL1061,6PIN/2PIN,175mm/150mm,BLK/GRAY,26AWG,52968-0819,173977-7
14	JC39-01341A	ERASER_PTL	MAIN PBA <-> PTL ASS'Y	8p	2p	
15	JC39-00663A	PTB DRAW_FR	MAIN PBA <-> PTB	14p	14p	CLP-660,UL10272,14PIN,475mm,BLK/GRAY,26AWG,173977-7,3-353293-4,UL10272
16	JC39-00956A	FUSER_GND	SET FRAME	1p	1p	CLP-310,UL1007,1P,75mm,GRN,18,35750-1110
17	JC39-01029A	TEMP HUMIDITY	MAIN PBA <-> INNER TEMP SENSOR /HUMIDITY SENSOR	8p	4p/2p	CLP-770ND,8p/2p4p,500mm/400mm,BLK/GRAY,26AWG,173977-6,2-173983-2/173977-4,UL10272
18	JC39-01031A	DEVE CRUM IF	MANI PBA <-> DEVE CRUM IF PBA	7p	7p	CLP-770ND,8p/7p,225mm,BLK/GRAY,26AWG,2-173983-7,2-353293-7,UL10272
19	JC39-40511A	CBF	PTB	1p	1p	ML-80,JUMPER,AWG22,52mm,SILVER
20	JC39-00306A	LCD	LCD <-> PANEL	14p	14p	CLP-500,WIRE,UL2877,14-14,35mm,BLACK,#24
21	JC39-01247A	OPE_PANEL	PANEL <-> HVPS	7p	6p	CLP-670ND,7p,6p,225mm,BLK/GRAY,26AWG,173977-7,2-173983-6,UL10272
22	JC39-00664A	PTB DRAW_P	PTB CRUM	14p	14p	CLP-660,UL10272,14PIN,50mm,BLK/GRAY,26AWG,173977-7,3-353293-4,UL10272
23	JC39-01252A	CTD_SENSOR	PTB CRUM <-> CTD SENSOR	5p	5p	CLP-670ND,5p,225mm,BLK/GRAY,26AWG,173977-5,173977-5,UL10272

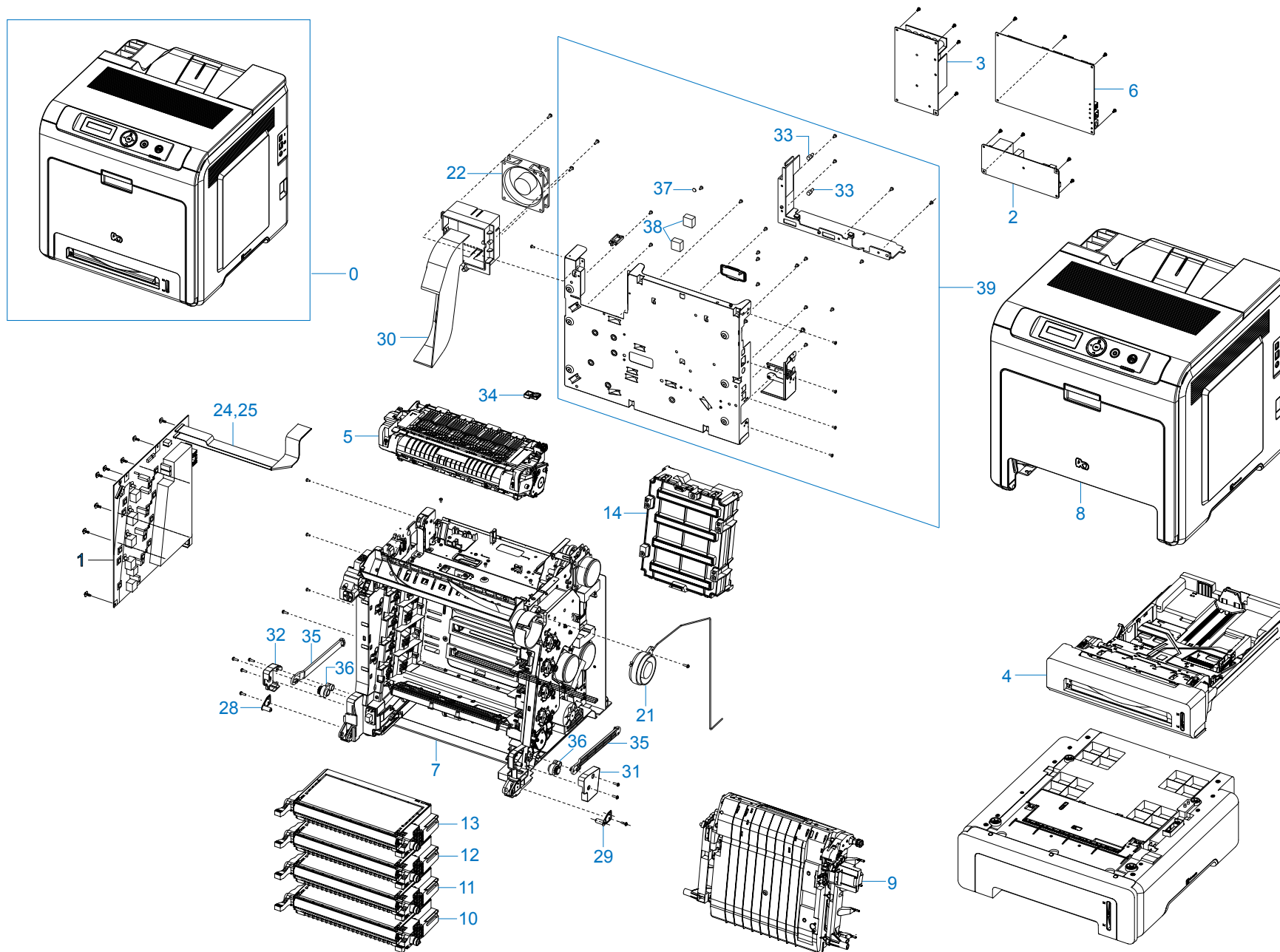
Harness Connection Table

No.	Parts Code	Description	Connection	Pin		Spec.
24	JC39-01338A	ACR_SENSOR	PTB CRUM <-> ACR SENSOR	10p	5p	CLP-670ND,5p,5p/10p,125mm/275mm,BLK/GRAY,26AWG,173977-5,1-173977-0,UL 10272
25	JC39-00770A	KC	MAIN PBA <-> LSU	20p	10p	CLP-660,HARNESS,UL 10272,20/10/10,375/450,GREY,26,4-3532934-0,1353293-0/3-353293-0
26	JC39-00771A	MY	MAIN PBA <-> LSU	20p	10p	CLP-660,HARNESS,UL 10272,20/10/10,450/375,GREY,26,4-3532934-0,1353293-0/3-353293-0
27	JC39-00772A	MOTOR	LSU	10p	5p	CLP-660,HARNESS,UL 10272,10/5/5,575,GREY,26,1-173977-0,173977-5/173977-5
28	JC39-00837A	PD	LSU	3p	3p	CLP-660,HARNESS,UL 1061,3/3,75,B/W,28,51021-0330,51021-0330
29	JC39-01048A	PD	LSU	3p	3p	CLP-750,HARNESS,UL 1061,3/3,275,GREY,28,51021-0330,UL 1061
30	JC39-00595A	SCAN_DSUB	MAIN PBA <-> SMPS	24p	24p	SCX-6318F,CBF,UL 1061,24,175,BLK/RED,DF11-24DS,AWG26
31	JC39-00650A	FLAT CABLE	MAIN PBA <-> HVPS	30p	30p	CLP-660,30,0.05,410mm,AWM20624,1R,1.0mm,WHITE,FFC,1:1,FLAT CABLE
32	JC39-00651A	FLAT CABLE	MAIN PBA <-> HVPS	24p	24p	CLP-660,24,0.05,390mm,AWM20624,1R,1.0mm,WHITE,FFC,1:1,FLAT CABLE
33	JC39-00661A	FUSER CONTROL	MAIN PBA <-> FDB	6p	6p	CLP-660,UL 10272,6PIN,125mm,BLK/GRAY,26AWG,173977-6,173977-6
34	JC39-00675A	FDB SMPS	FDB <-> SMPS	2p	2p	CLP-660,UL 1617,2PIN,100mm,BLK/WHT,16AWG,MG610599-2(Blue),MG610599-1(RED)
35	JC39-01025A	AC INLET	FDB <-> SET FRAME	2p		CLP-770ND,2p,100mm,WHT/BLK/YEL-GRN,16AWG,EAC409-030,DF22R-2S-7.92C,UL 1617,UL 1015

Thumbnail

				
<p>1. Main</p>	<p>2. Cover</p>	<p>3. TOP COVER</p>	<p>4. FRONT COVER</p>	<p>5. FRAME</p>
				
<p>6. DRIVE_FUSER-BRACKET</p>	<p>7. FRAME_BOTTOM</p>	<p>8. FRAME LEFT</p>	<p>9. FRAME RIGHT</p>	<p>10. FEED DRIVE</p>
				
<p>11. FUSER</p>				

1. MAIN



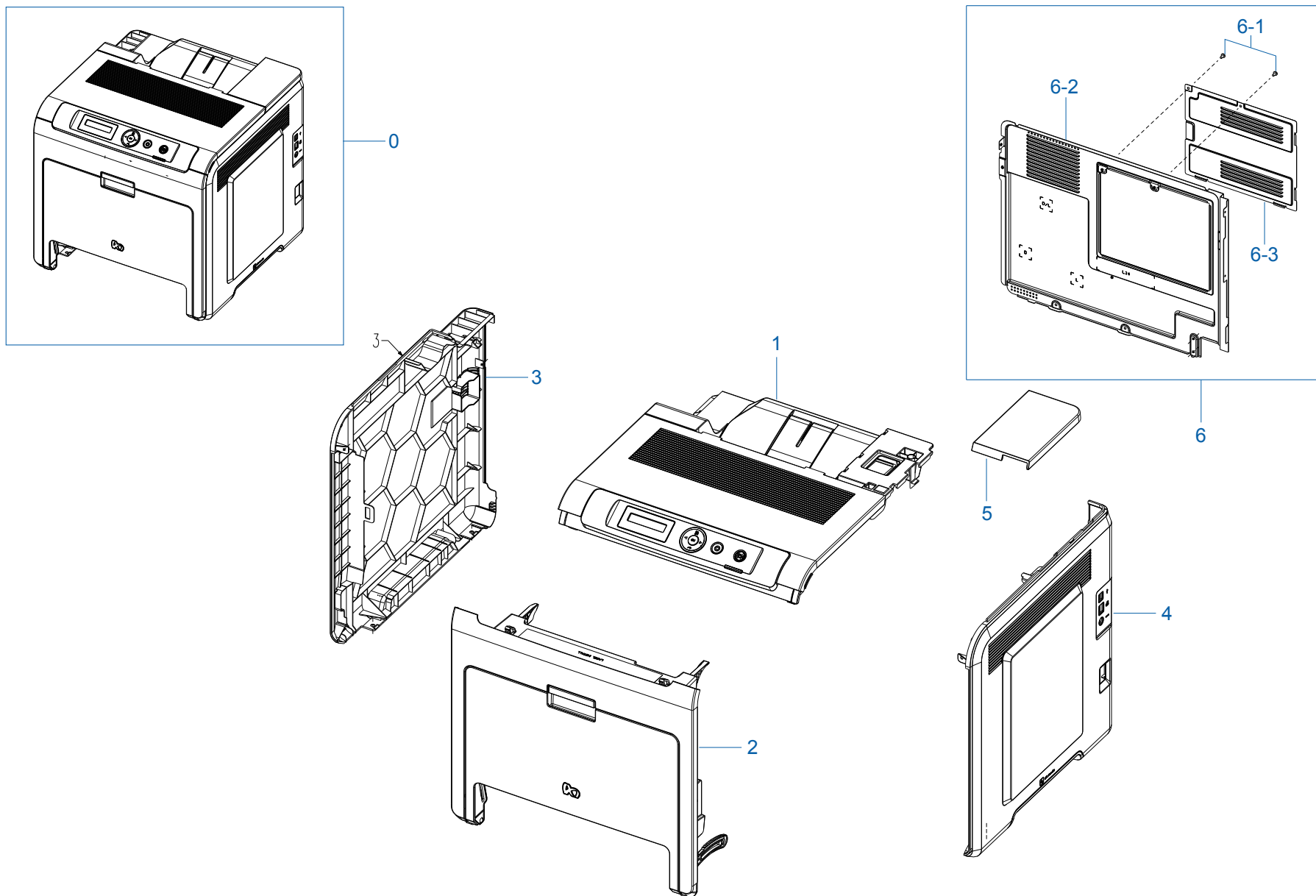
MAIN Parts List

SA : SERVICE AVAILABLE, SNA : SERVICE not AVAILABLE

Drawer#	SEC-Code	Description	Qty	Service	Remark
1	JC44-00183A	HVPS	1	SA	
2	JC44-00186A	FDB-SINGLE TRIAC V1	1	SA	620ND/110V
2	JC44-00184A	FDB-1LAMP-ZC-V2	1	SA	620ND/220V
2	JC44-00185A	FDB-MULTI TRIAC V1	1	SA	670ND/110V
2	JC44-00187A	FDB-MULTI TRIAC V2	1	SA	670ND/220V
3	JC44-00091B	SMPS-V1	1	SA	110V
3	JC44-00092B	SMPS-V2C	1	SA	220V
4	JC90-00974A	CASSETTE	1	SA	
5	JC91-00968A	FUSER	1	SA	670ND/110V
5	JC91-00969A	FUSER	1	SA	670ND/220V
5	JC91-00970A	FUSER	1	SA	620ND/110V
5	JC91-00971A	FUSER	1	SA	620ND/220V
6	JC92-02236A	PBA-MAIN	1	SA	620ND/Others
6	JC92-02236B	PBA-MAIN	1	SA	620ND/SEE
6	JC92-02236E	PBA-MAIN	1	SA	620ND/ETS
6	JC92-02237A	PBA-MAIN	1	SA	670ND/Others
6	JC92-02237B	PBA-MAIN	1	SA	670ND/SEE
6	JC92-02237J	PBA-MAIN	1	SA	670ND/ETS
7	JC93-00147A	FRAME	1	SNA	670ND
7	JC93-00147B	FRAME	1	SNA	620ND
8	JC95-01158A	COVER	1	SA	670ND
8	JC95-01158B	COVER	1	SA	620ND

Drawer#	SEC-Code	Description	Qty	Service	Remark
9	CLT-T508	CARTRIDGE-TRANSFER	1	SNA	50K
10	CLT-Y508S	CARTRIDGE-TONER Y	1	SNA	
11	CLT-M508S	CARTRIDGE-TONER M	1	SNA	
12	CLT-C508S	CARTRIDGE-TONER C	1	SNA	
13	CLT-K508S	CARTRIDGE-TONER K	1	SNA	
14	JC97-03733A	LSU	1	SA	
21	JC31-00072A	FAN	1	SA	
22	JC31-00088A	FAN-DC	1	SA	
24	JC39-00650A	FLAT CABLE	1	SA	
25	JC39-00651A	FLAT CABLE	1	SA	
28	JC61-01896A	BRACKET-HINGE_L	1	SNA	
29	JC61-01897A	BRACKET-HINGE_R	1	SNA	
30	JC61-01910A	FRAME-DUCT	1	SNA	
31	JC61-01911D	FRAME-DAMPER_R	1	SNA	
32	JC61-01912D	FRAME-DAMPER_L	1	SNA	
33	JC61-02543A	SUPPORT-PCB	2	SNA	
34	JC61-03706A	HOLDER-LOCK FUSER	1	SA	
35	JC66-01422A	LINK-HINGE	2	SNA	
36	JC66-01425A	DAMPER-HINGE	2	SNA	
37	JC68-01760A	LABEL-INFORMATION	1	SNA	
38	JC73-00276A	RUBBER-SUPPORT	2	SA	
39	JC98-01225A	ETC-BRACKET	1	SNA	

2. COVER



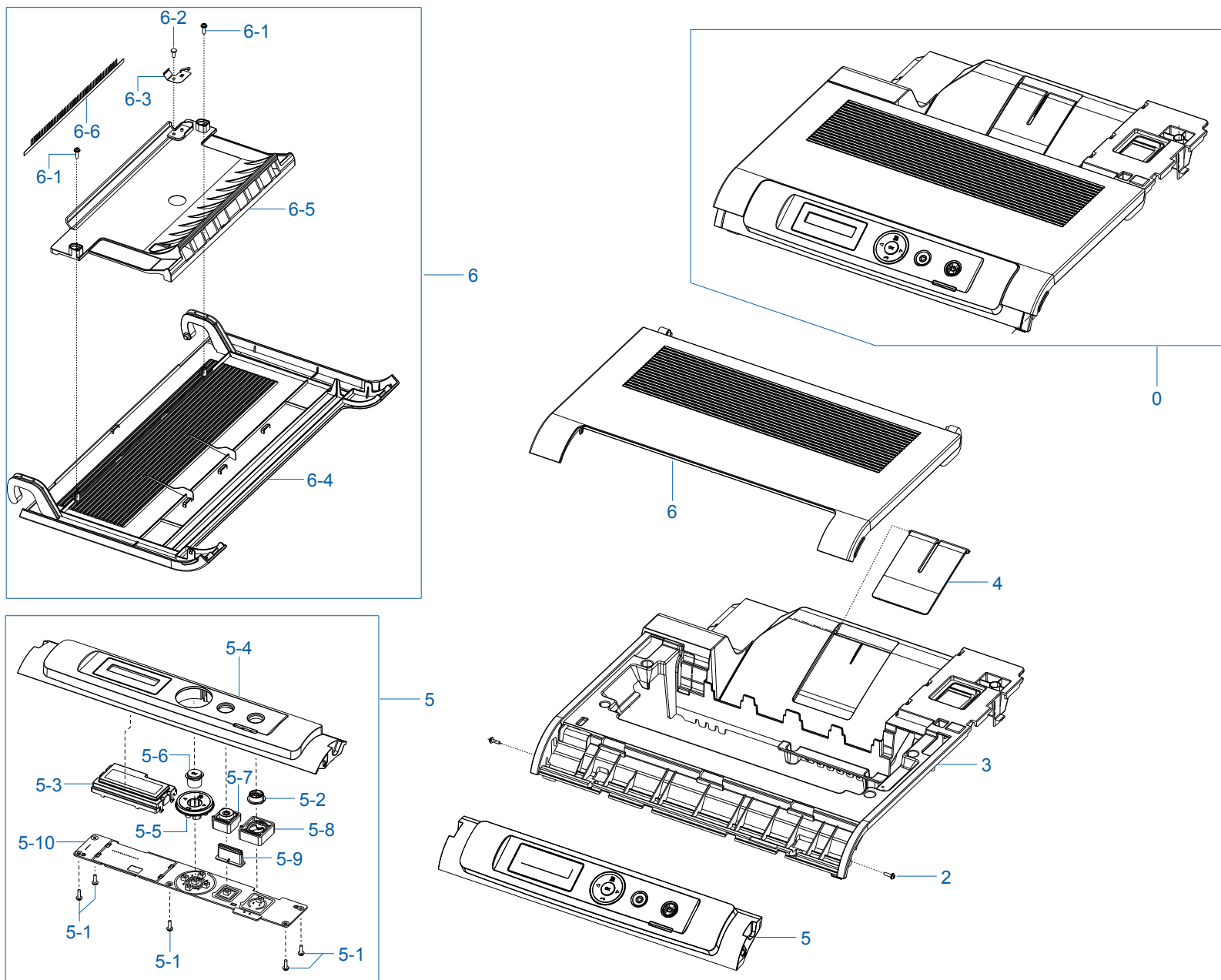
COVER Parts List

SA : SERVICE AVAILABLE, SNA : SERVICE not AVAILABLE

Drawer#	SEC_Code	Description	QT'y	Service	Remark
0	JC95-01158A	COVER	1	SA	670ND
0	JC95-01158B	COVER	1	SA	620ND
1	JC95-01155A	COVER-TOP	1	SA	670ND
1	JC95-01155B	COVER-TOP	1	SA	620ND
2	JC95-01157A	COVER-FRONT	1	SA	
3	JC63-01275B	COVER-LEFT	1	SNA	

Drawer#	SEC_Code	Description	QT'y	Service	Remark
4	JC63-01276B	COVER-RIGHT	1	SNA	
5	JC63-01279B	COVER-TOP SUB	1	SNA	
6	JC97-03052A	MEA-BRACKET REAR	1	SA	
6_1	6003-000269	SCREW-TAPTYPE	2	SA	
6_2	JC61-02211A	BRACKET-REAR	1	SNA	
6_3	JC63-01314A	COVER-REAR HDD	1	SNA	

3. TOP COVER



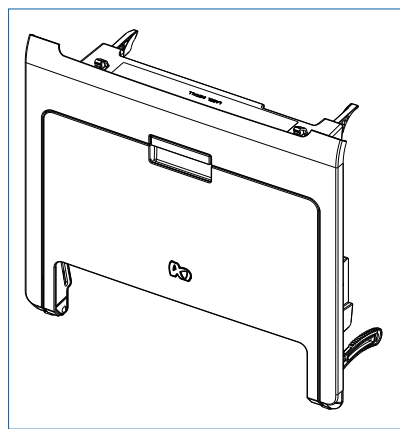
TOP COVER Parts List

SA : SERVICE AVAILABLE, SNA : SERVICE not AVAILABLE

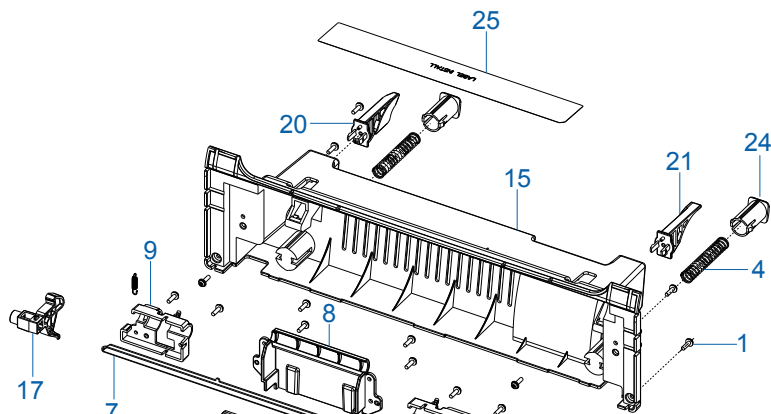
Drawer#	SEC_Code	Description	QT'y	Service	Remark
0	JC95-01155A	COVER-TOP	1	SA	670ND
0	JC95-01155B	COVER-TOP	1	SA	620ND
2	6003-000196	SCREW-TAPTYPE	2	SA	
3	JC63-01278B	COVER-TOP	1	SNA	
4	JC72-01346G	PMO-STACKER	1	SA	
5	JC97-03744A	OPE-COVER	1	SA	670ND
5	JC97-03744B	OPE-COVER	1	SA	620ND
5_1	6003-000196	SCREW-TAPTYPE	5	SA	
5_2	JB64-00114B	KEY-POWER	1	SNA	
5_3	JC61-03525A	HOLDER-LCD	1	SA	
5_4	JC63-02502A	COVER-OPE	1	SA	670ND
5_4	JC63-02502B	COVER-OPE	1	SA	620ND
5_5	JC64-00388A	KEY-MENU	1	SNA	

Drawer#	SEC_Code	Description	QT'y	Service	Remark
5_6	JC64-00389A	KEY-OK	1	SNA	
5_7	JC64-00393A	KEY-STOP	1	SNA	
5_8	JC64-00443A	KEY-POWER_B	1	SNA	
5_9	JC67-00427A	LENS-STATUS	1	SNA	
5_10	JC92-02234A	PBA-OPE	1	SA	
6	JC95-01156A	COVER-EXIT	1	SA	
6_1	6003-000196	SCREW-TAPTYPE	2	SA	
6_2	6003-000282	SCREW-TAPTYPE	1	SA	
6_3	JC63-01277A	GROUND-EXIT	1	SNA	
6_4	JC63-01289B	COVER-EXIT	1	SNA	
6_5	JC63-01299A	COVER-FUSER EXIT	1	SNA	
6_6	JC67-00295A	BRUSH-ANTISTATIC	1	SA	

4. FRONT COVER



0



25

20

15

21

24

9

8

1

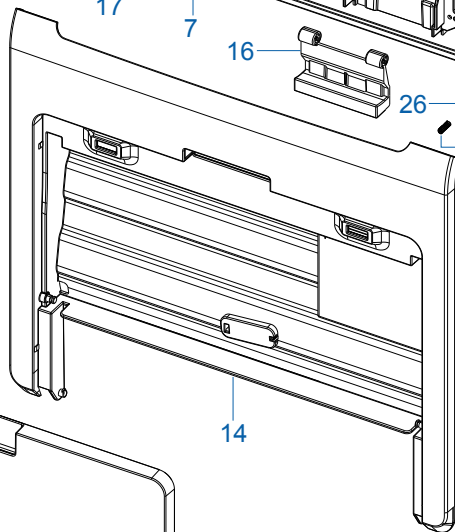
17

7

16

10

18



14

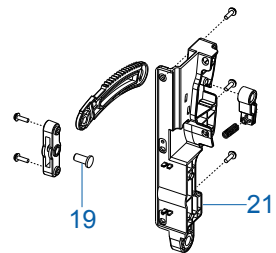
26

10

3

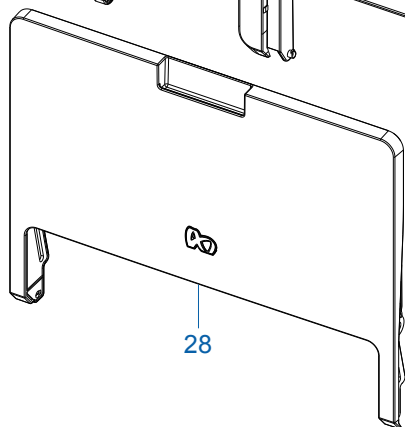
5

27



19

21



28

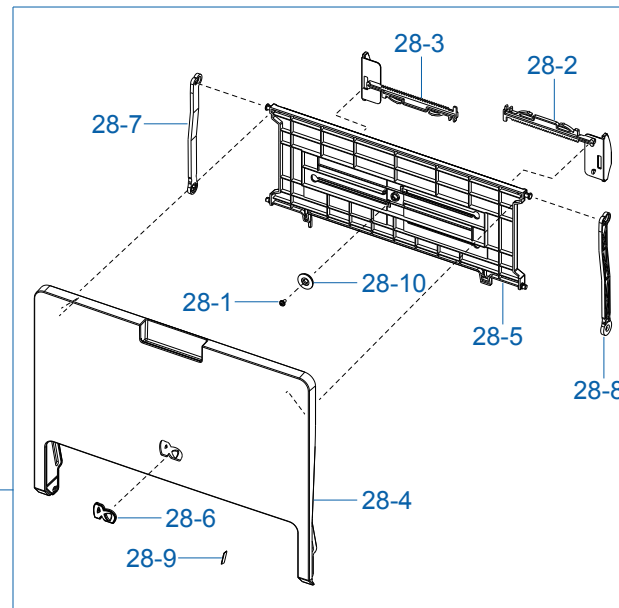
22

6

13

11

23



28-3

28-2

28-7

28-1

28-10

28-5

28-8

28

28-6

28-9

28-4

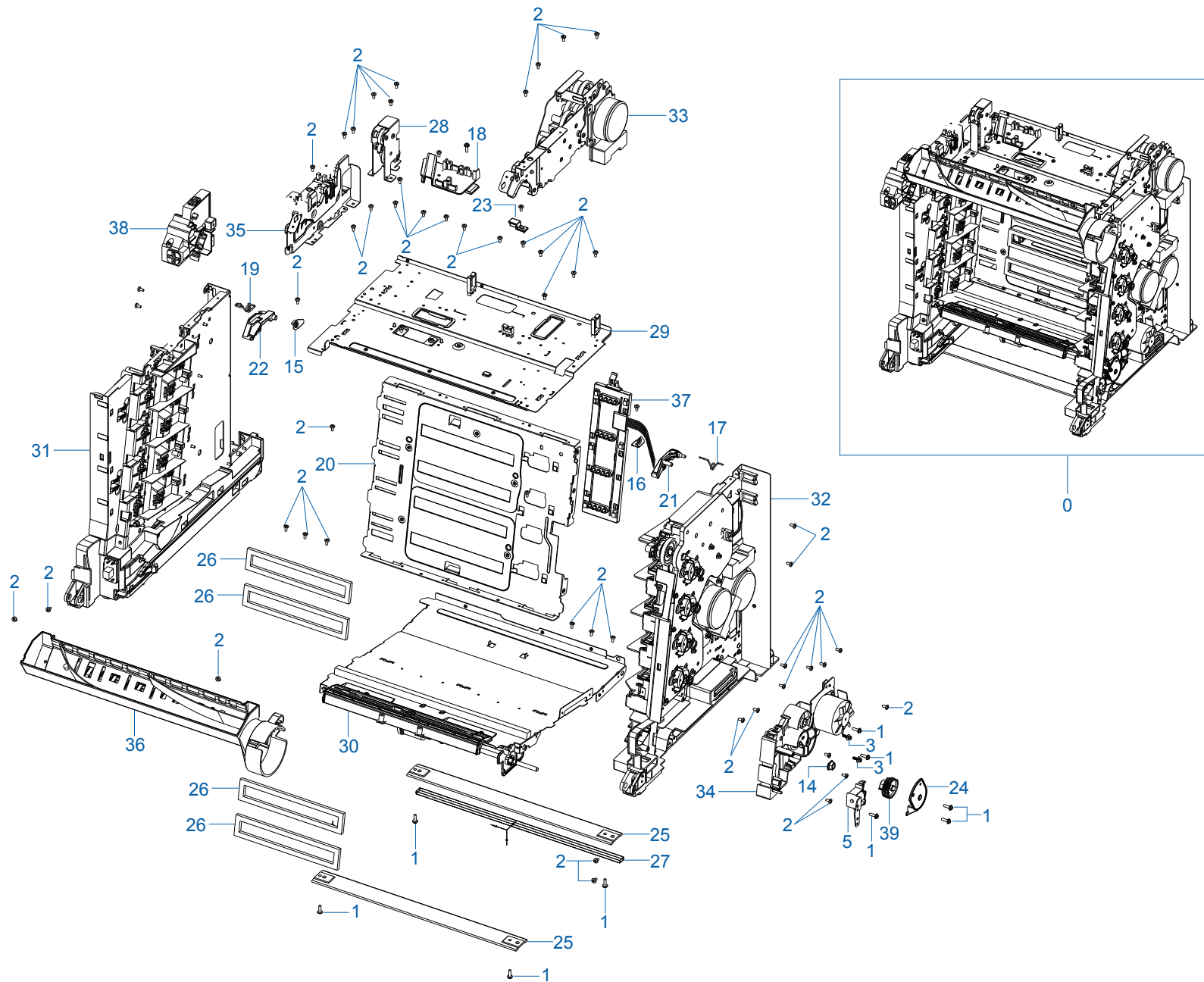
FRONT COVER Parts List

SA : SERVICE AVAILABLE, SNA : SERVICE not AVAILABLE

Drawer#	SEC_Code	Description	QT'y	Service	Remark
0	JC95-01157A	COVER-FRONT	1	SA	
1	6003-000196	SCREW-TAPTYPE	24	SA	
3	6107-001138	SPRING-ES	2	SA	
4	6107-001345	SPRING-CS	2	SA	
5	6107-001218	SPRING-CS	2	SA	
6	JC61-00038A	SPRING ETC-GUIDE DEVE	2	SA	
7	JC61-01050A	BRACKET-P-COVER LOCK	1	SNA	
8	JC61-01841A	HOLDER-KNOB HANDLE	1	SNA	
9	JC61-01842A	HOLDER-LOCKER FRONT L	1	SNA	
10	JC61-01843A	HOLDER-LOCKER FRONT R	1	SNA	
11	JC61-01846B	HOLDER-LINK FRONT	2	SNA	
12	JC61-01848B	SUPPORT-PTB L	1	SNA	
13	JC61-01849B	SUPPORT-PTB R	1	SNA	
14	JC63-01274B	COVER-FRONT	1	SNA	
15	JC63-01290B	COVER-FRONT PATH	1	SNA	
16	JC64-00299B	KNOB-HANDLE	1	SNA	
17	JC64-00305A	LOCKER-FRONT L	1	SNA	
18	JC64-00306A	LOCKER-FRONT R	1	SNA	
19	JC66-00835A	SHAFT-HINGE LINK	2	SNA	

Drawer#	SEC_Code	Description	QT'y	Service	Remark
20	JC66-01022A	ROLLER-M_IDLE SCF	1	SNA	
21	JC66-01352A	LEVER-COUPLING L	1	SNA	
22	JC66-01353A	LEVER-COUPLING R	1	SNA	
23	JC66-01354A	LEVER-PTB	2	SNA	
24	JC66-01358A	LINK-SUPPORT	2	SNA	
25	JC66-01421A	LEVER-PTB TOP	2	SNA	
26	JC66-01846A	SHAFT-DUP_ROLLER	1	SA	
27	JC68-01905A	LABEL-INSTALL	1	SNA	
28	JC95-01154A	COVER-MP	1	SNA	
28_1	6003-000264	SCREW-TAPTYPE	1	SNA	
28_2	JC61-01042D	GUIDE-SIDE MP R	1	SNA	
28_3	JC61-01043D	GUIDE-SIDE MP L	1	SNA	
28_4	JC63-01287B	COVER-MP_TRAY	1	SNA	
28_5	JC63-01293B	TRAY-ASF_INPUT	1	SNA	
28_6	JC64-00428A	BADGE-COLOR MIDDLE	1	SNA	
28_7	JC66-01349A	LINK-TRAY_MP_L	1	SNA	
28_8	JC66-01350A	LINK-TRAY_MP_R	1	SNA	
28_9	JC68-01528A	LABEL(R)-HEIGHT MP	1	SNA	
28_10	JG66-40003A	GEAR-PINION	1	SA	

5. FRAME



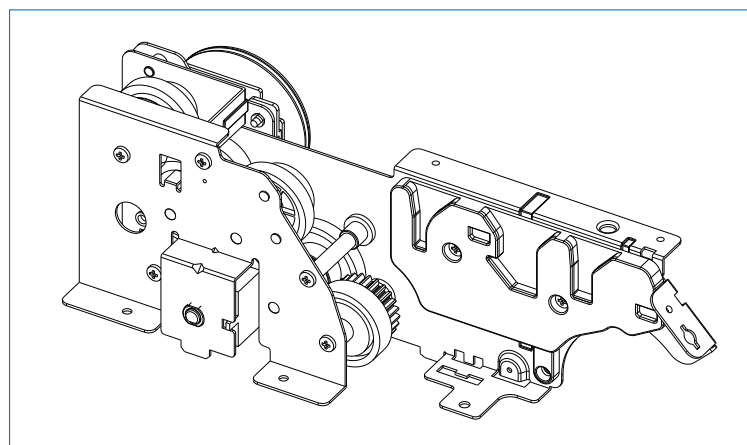
FRAME Parts List

SA : SERVICE AVAILABLE, SNA : SERVICE not AVAILABLE

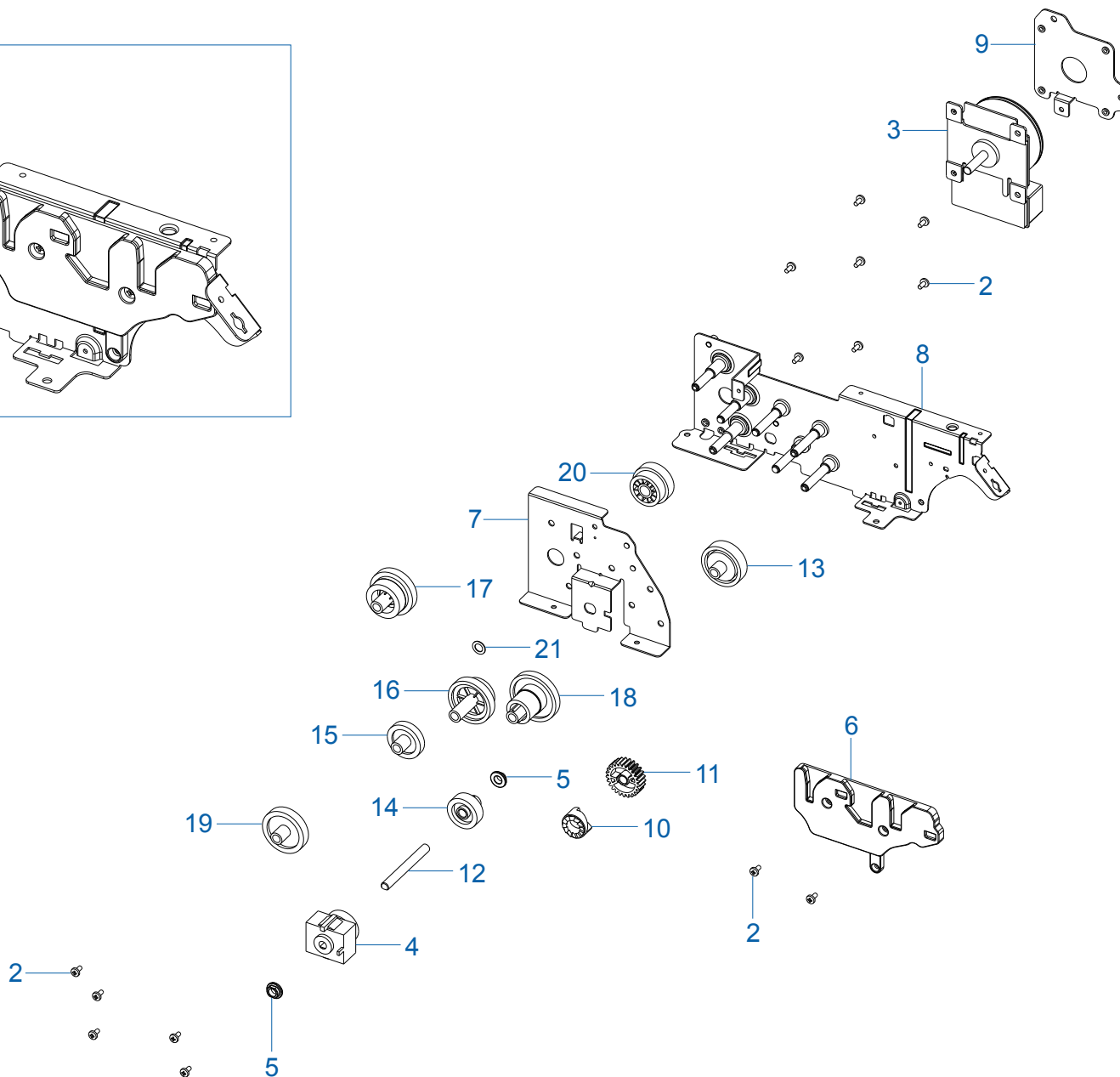
Drawer#	SEC_Code	Description	QT'y	Service	Remark
0	JC93-00147A	FRAME	1	SNA	670ND
0	JC93-00147B	FRAME	1	SNA	620ND
1	6003-000196	SCREW-TAPTYPE	10	SA	
2	6003-000269	SCREW-TAPTYPE	63	SA	
3	6006-001193	SCREW-MACHINE	2	SNA	
4	JC32-00005A	SENSOR-HUMIDITY	1	SA	
5	JC33-00022A	SOLENOID-PICK_UP	1	SA	
7	JC39-00938A	HARNESS-BLDC_CLU_FAN	1	SNA	Refer to harness connection
8	JC39-01026A	HARNESS-OPC BLDC	1	SNA	
9	JC39-01028A	HARNESS-DEVE BLDC PICKUP SOL	1	SNA	
10	JC39-01249A	HARNESS-FEEDSTEP_MOTOR	1	SNA	
11	JC39-01337A	HARNESS-EXIT_STEP MOTOR	1	SNA	
12	JC39-01249A	HARNESS-FEEDSTEP_MOTOR	1	SNA	
13	JC39-01340A	HARNESS-HVPS_24V	1	SNA	
14	JC61-00423A	BUSH-6_D	1	SA	
15	JC61-01855A	BRACKET-LOCKER_PTBL	1	SNA	
16	JC61-01869A	BRACKET-LOCKER_PTBR	1	SNA	
17	JC61-01879A	SPRING ETC-LOCK_PTBR	1	SNA	
18	JC61-01890A	GUIDE-HARNESS_CABLE	1	SNA	
19	JC61-01899A	SPRING ETC-LOCK_PTBL	1	SNA	
20	JC61-01927A	FRAME-LSU	1	SNA	

Drawer#	SEC_Code	Description	QT'y	Service	Remark
21	JC64-00303A	LOCKER-PTB_R	1	SA	
22	JC64-00304A	LOCKER-PTB_L	1	SA	
23	JC66-01300A	LEVER-FUSER FRAME	1	SNA	
24	JC67-00215A	CAP-MAIN PICK-UP GEAR	1	SNA	
25	JC71-00042A	BAR-P_CROSS BOTTOM	2	SA	
26	JC72-01539A	SPONGE-SEALING_LSU	4	SNA	
27	JC72-01553A	SPONGE-BAR_CROSS	1	SNA	
28	JC93-00126A	DRIVE EXIT-BRACKET	1	SA	
29	JC93-00145A	FRAME-TOP	1	SA	670ND
29	JC93-00145B	FRAME-TOP	1	SA	620ND
30	JC93-00146A	FRAME-BOTTOM	1	SNA	
31	JC93-00150A	FRAME-LEFT	1	SNA	
32	JC93-00151A	FRAME-RIGHT	1	SNA	670ND
32	JC93-00151B	FRAME-RIGHT	1	SNA	620ND
33	JC93-00152A	DRIVE FUSER-BRACKET	1	SA	
34	JC93-00153A	DRIVE-FEED	1	SNA	
35	JC96-04481A	ELA UNIT-OPE_LEFT	1	SA	
36	JC96-04487A	ELA UNIT-DUCT_FUSER	1	SA	
37	JC96-05420A	ELA UNIT-DEVE_CRUM	1	SNA	
38	JC97-02883A	MEA UNIT-COVER_OPEN	1	SA	
39	JC97-02895A	MEA-GEAR PICK UP	1	SA	

6. DRIVE_FUSER-BRACKET



0



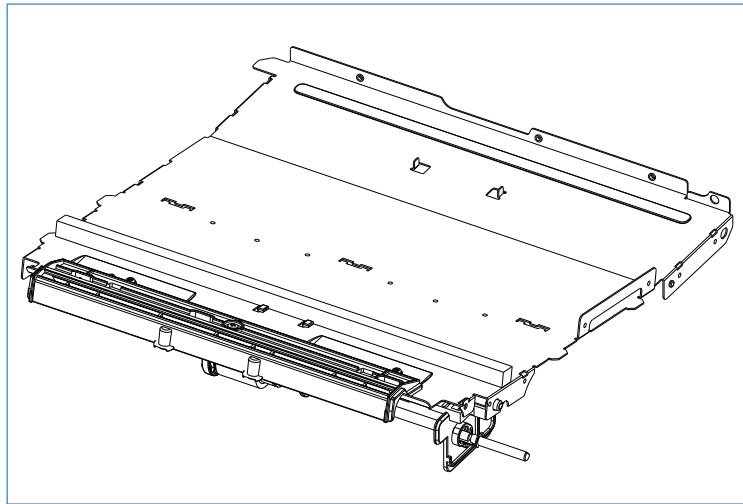
DRIVE_FUSER-BRACKET Parts List

SA : SERVICE AVAILABLE, SNA : SERVICE not AVAILABLE

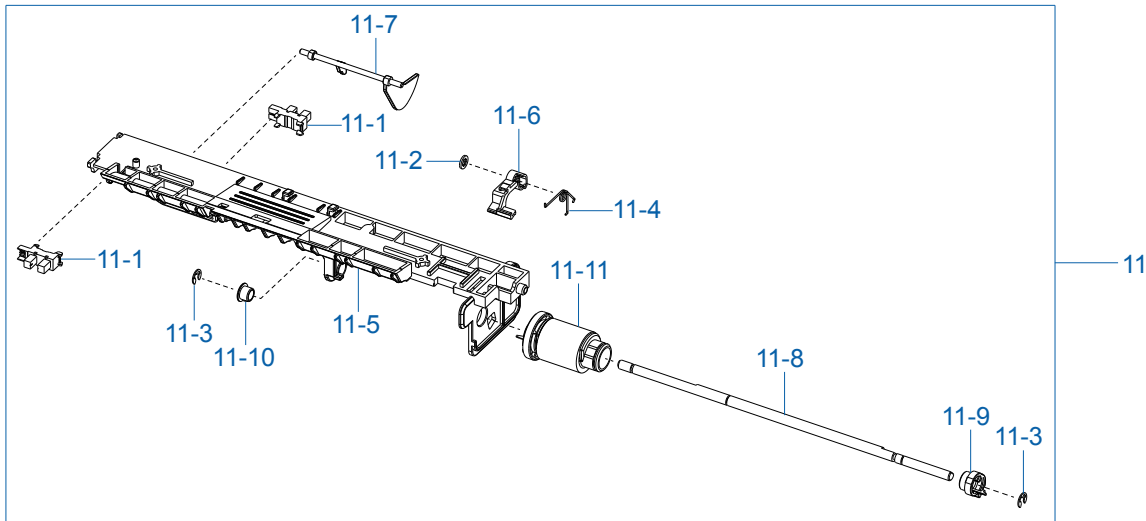
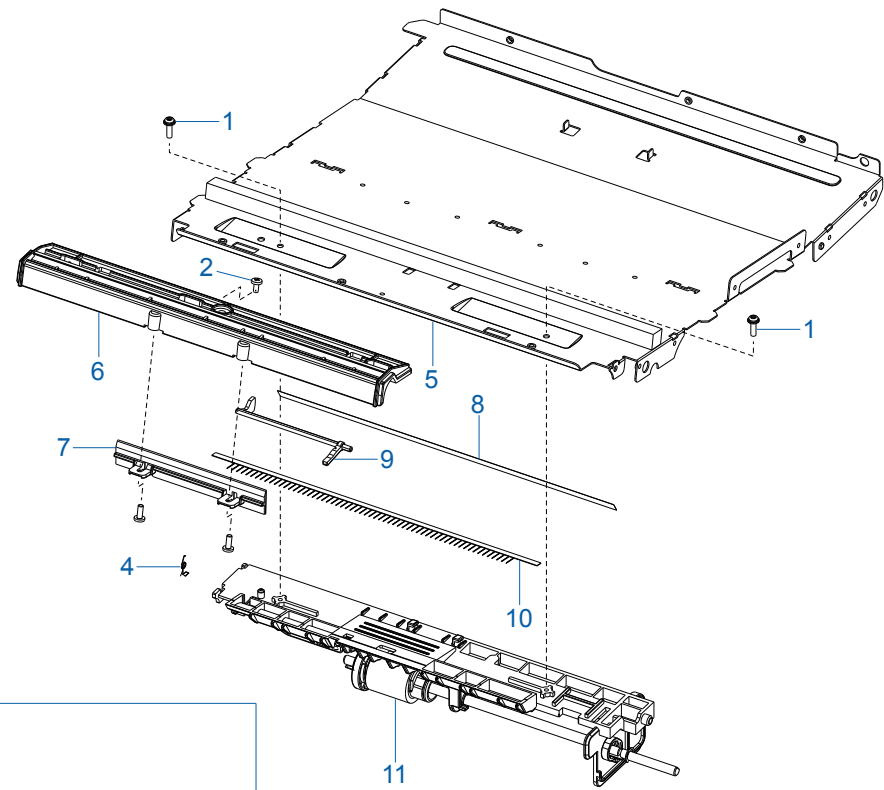
Drawer#	SEC_Code	Description	QT'y	Service	Remark
0	JC93-00152A	DRIVE FUSER-BRACKET	1	SA	
2	6003-000269	SCREW-TAPTYPE	14	SA	
3	JC31-00075A	MOTOR BLDC	1	SA	
4	JC47-00006D	CLUTCH-BK DEVE	1	SNA	
5	JC61-00699A	BUSH-D6/L4	2	SNA	
6	JC61-01851A	GUIDE-FUSER R	1	SNA	
7	JC61-01859B	BRACKET-FUSER DRIVE L	1	SNA	
8	JC61-01860B	BRACKET-FUSER R BLDC	1	SNA	
9	JC61-02550A	BRACKET-FUSER MOTOR	1	SNA	
10	JC66-01070A	LATCH-M-HUB CLUTCH	1	SNA	
11	JC66-01155A	GEAR-FUSER RDCN OUT V	1	SA	

Drawer#	SEC_Code	Description	QT'y	Service	Remark
12	JC66-01341A	SHAFT-CLUTCH FU	1	SNA	
13	JC66-01362A	GEAR-DRV FU	1	SNA	
14	JC66-01366A	GEAR-IDLE DEVE	1	SNA	
15	JC66-01368A	GEAR-IDLE DEVE	1	SNA	
16	JC66-01386A	GEAR- RDCN FU	1	SNA	
17	JC66-01387A	GEAR-RDCN FU	1	SNA	
18	JC66-01388A	GEAR-RDCN FU	1	SNA	
19	JC66-01393A	GEAR-IDLE DEVE	1	SNA	
20	JC66-02434A	GEAR-RDCN FUCZ	1	SNA	
21	JG74-10541A	MPR-RING CHARGE	1	SA	

7. FRAME_BOTTOM



0



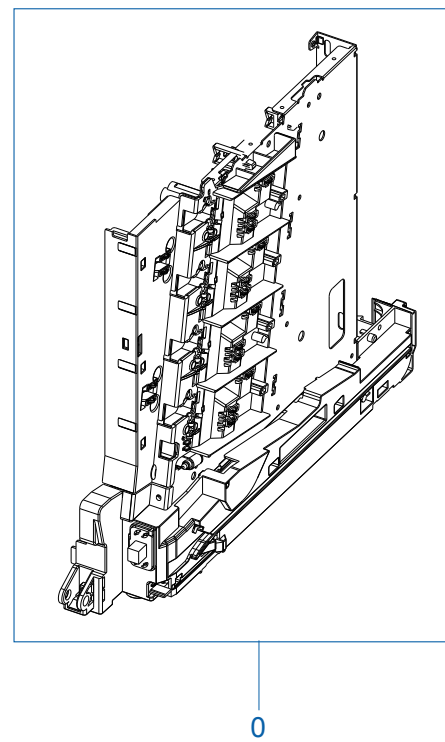
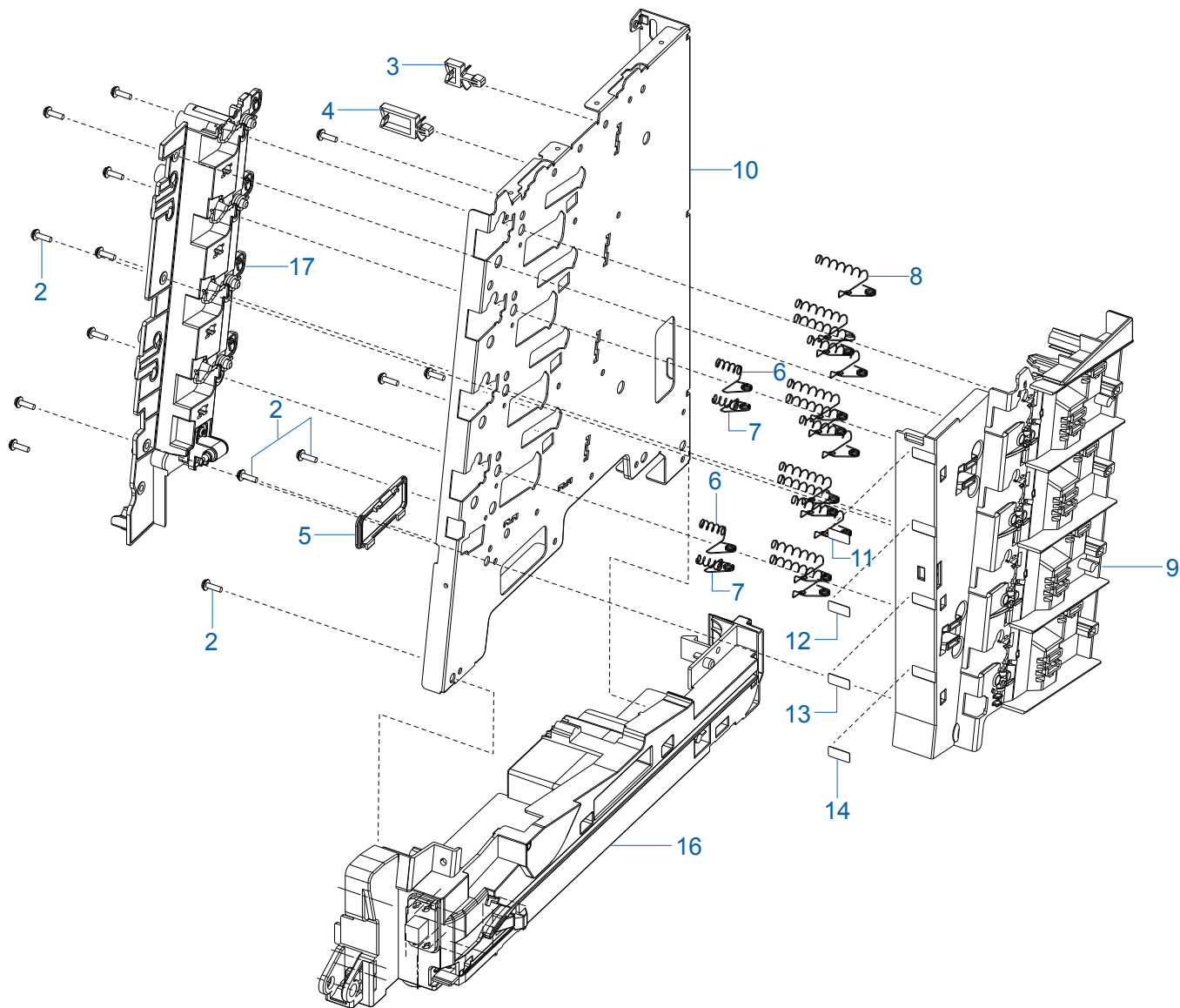
FRAME_BOTTOM Parts List

SA : SERVICE AVAILABLE, SNA : SERVICE not AVAILABLE

Drawer#	SEC_Code	Description	QT'y	Service	Remark
0	JC93-00146A	FRAME-BOTTOM	1	SNA	
1	6003-000196	SCREW-TAPTYPE	2	SA	
2	6003-000269	SCREW-TAPTYPE	1	SA	
3	6003-000282	SCREW-TAPTYPE	2	SA	
4	6107-001165	SPRING-TS	1	SA	
5	JC61-01871A	FRAME-BOTTOM	1	SNA	
6	JC61-01878A	GUIDE-PICKUP	1	SNA	
7	JC61-03333A	FRAME-PICKUP_GUIDE	1	SNA	
8	JC62-00364A	SEAL-FILM SCATTERING	1	SNA	
9	JC66-02294A	ACTUATOR-REGI_DALI	1	SA	
10	JC67-00295A	BRUSH-ANTISTATIC	1	SA	
11	JC96-04491A	ELA UNIT-PICK UP	1	SA	

Drawer#	SEC_Code	Description	QT'y	Service	Remark
11_1	0604-001095	PHOTO-INTERRUPTER	2	SA	
11_2	6044-000001	RING-CS	1	SA	
11_3	6044-000125	RING-E	2	SA	
11_4	6107-001170	SPRING-TS	1	SA	
11_5	JC61-01838A	FRAME-PICK UP	1	SNA	
11_6	JC66-00377A	CAM-M-PICK_UP	1	SA	
11_7	JC66-01187A	LEVER-ACTUATOR EMPTY	1	SA	
11_8	JC66-01336A	SHAFT-PICK UP	1	SA	
11_9	JC66-01402A	CAM-SHAFT_PICK UP	1	SNA	
11_10	JC72-41364A	PMO-BUSHING_P/U,MP	1	SA	
11_11	JC90-00932A	ASF-PICK UP	1	SA	

8. FRAME LEFT



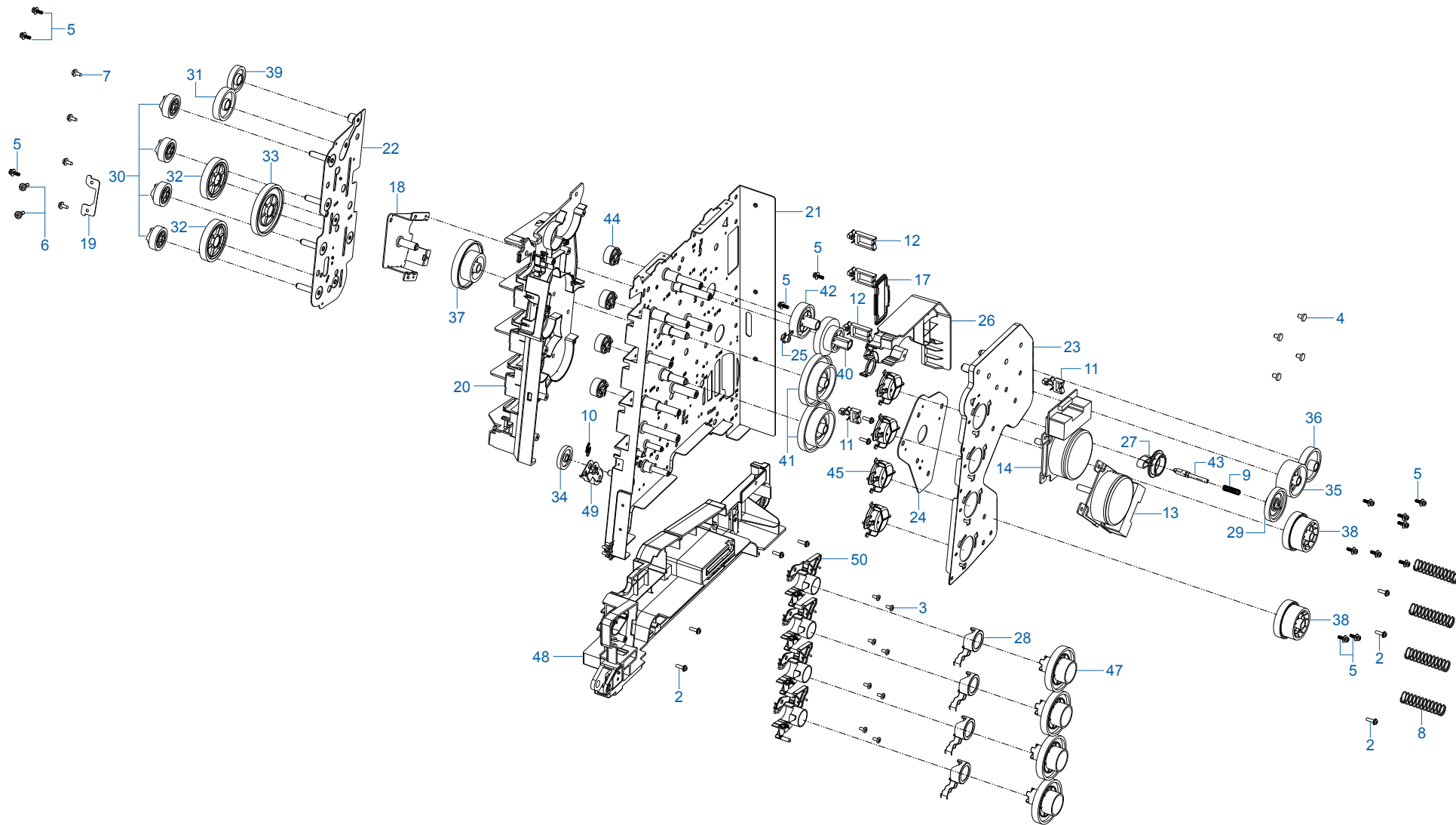
FRAME LEFT Parts List

SA : SERVICE AVAILABLE, SNA : SERVICE not AVAILABLE

Drawer#	SEC_Code	Description	QT'y	Service	Remark
0	JC93-00150A	FRAME-LEFT	1	SNA	
1	JC98-01242A	BOARD-PTL	1	SNA	
2	6003-000196	SCREW-TAPTYPE	14	SA	
3	6502-000132	CABLE CLAMP	1	SNA	
4	6502-001093	CABLE CLAMP	1	SNA	
5	JC61-01012A	GUIDE-_M_BUSH HARNESS S	1	SNA	
6	JC61-01883A	SPRING ETC-PTB_C	2	SA	
7	JC61-01884A	SPRING ETC-PTB_B	2	SA	
8	JC61-01885A	SPRING ETC-DEVE	12	SA	

Drawer#	SEC_Code	Description	QT'y	Service	Remark
9	JC61-01908A	GUIDE-RAIL-L	1	SNA	
10	JC61-01926A	FRAME-LEFT	1	SNA	
11	JC68-01503B	LABEL-BLANK	1	SNA	
12	JC68-01504A	LABEL(R)-C	1	SNA	
13	JC68-01505A	LABEL(R)-M	1	SNA	
14	JC68-01506A	LABEL(R)-Y	1	SNA	
15	JC68-02050A	LABEL-CAUTION	1	SNA	
16	JC93-00149A	FRAME BASE-LEFT	1	SNA	
17	JC96-05423A	ELA UNIT-PTB_TERMINAL	1	SNA	

9. FRAME RIGHT



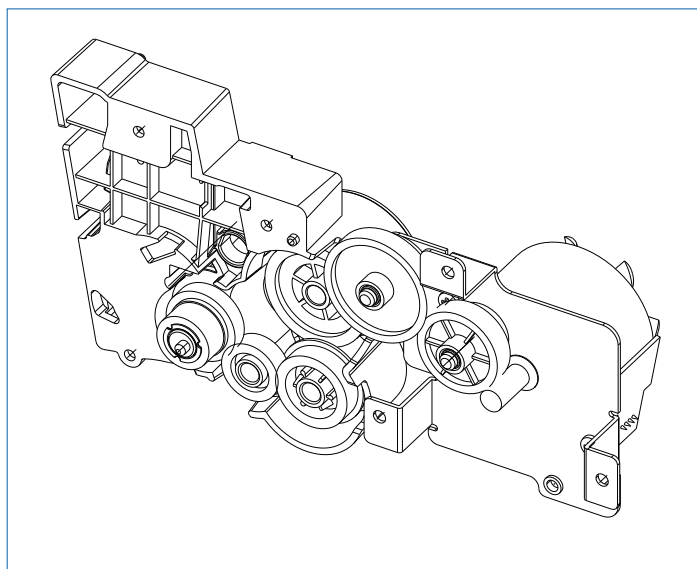
FRAME RIGHT Parts List

SA : SERVICE AVAILABLE, SNA : SERVICE not AVAILABLE

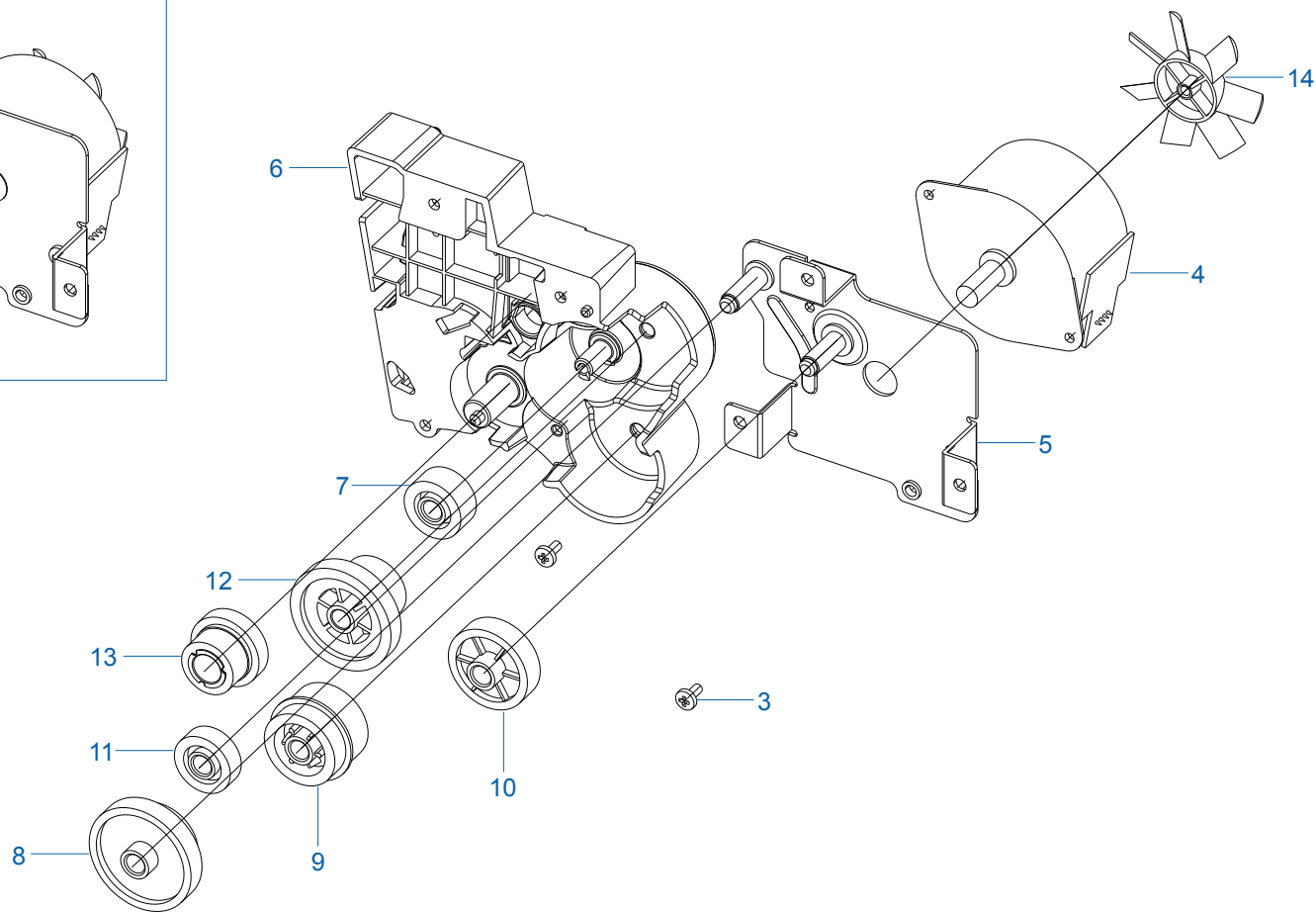
Drawer#	SEC_Code	Description	QT'y	Service	Remark
0	JC93-00151A	FRAME-RIGHT	1	SNA	670ND
0	JC93-00151B	FRAME-RIGHT	1	SNA	620ND
2	6003-000196	SCREW-TAPTYPE	10	SA	
3	6003-000269	SCREW-TAPTYPE	19	SA	
4	6003-000301	SCREW-TAPTYPE	4	SA	
5	6006-001193	SCREW-MACHINE	14	SNA	
6	6009-001396	SCREW-SPECIAL	2	SNA	
7	6009-001492	SCREW-HEX	4	SA	
8	6107-001317	SPRING-CS	4	SA	
9	6107-001318	SPRING-CS	1	SA	
10	6107-001320	SPRING-ES	1	SA	
11	6502-000132	CABLE CLAMP	2	SNA	
12	6502-001093	CABLE CLAMP	3	SNA	
13	JC31-00075A	MOTOR BLDC	1	SA	
14	JC31-00091A	MOTOR BLDC	1	SA	620ND
14	JC31-00117A	MOTOR BLDC	1	SA	670ND
15	JC39-00663A	HARNESS-PTB DRAW_FR	1	SNA	
16	JC39-00956A	HARNESS-FUSER_GND	1	SNA	
17	JC61-01012A	GUIDE-_M_BUSH HARNESS S	1	SNA	
18	JC61-01837A	BRACKET-GEAR DEVE	1	SNA	
19	JC61-01898A	BRACKET-DRAWER_PT B	1	SNA	
20	JC61-01907A	GUIDE-RAIL-R	1	SNA	
21	JC61-01925C	FRAME-RIGHT	1	SNA	
22	JC61-02160B	BRACKET-DEVE_DR B	1	SNA	
23	JC61-02775A	BRACKET-MAIN COVER	1	SNA	
24	JC61-02777A	BRACKET-BLDC MOTOR	1	SNA	

Drawer#	SEC_Code	Description	QT'y	Service	Remark
25	JC61-02778A	HOLDER-PTB GEAR	1	SNA	
26	JC63-02079A	COVER-PTB GEAR	1	SNA	
27	JC66-01343A	CAM-PTB COUPLING	1	SNA	
28	JC66-01344A	CAM-OPC COUPLING	4	SNA	
29	JC66-01361A	GEAR-COUPLING DRV PTB	1	SNA	
30	JC66-01365A	GEAR-DRV2 DEVE	4	SNA	
31	JC66-01367A	GEAR-IDLE DEVE	1	SNA	
32	JC66-01369A	GEAR-IDLE DEVE	2	SNA	
33	JC66-01370A	GEAR-IDLE DEVE	1	SNA	
34	JC66-01373A	GEAR-IDLE FEED	1	SNA	
35	JC66-01377A	GEAR- IDLE PTB A	1	SNA	
36	JC66-01378A	GEAR-IDLE PTB B	1	SNA	
37	JC66-01380A	GEAR-RDCN DEVE	1	SNA	
38	JC66-01389A	GEAR-RDCN OPC	2	SNA	
39	JC66-01394A	GEAR-IDLE DEVE	1	SNA	
40	JC66-02047A	GEAR-RDCN PTB A	1	SNA	
41	JC66-02048A	GEAR-RDCN OPC A	2	SNA	
42	JC66-02049A	GEAR-IDLE PTB C	1	SNA	
43	JC66-02105A	SHAFT-PTB GEAR	1	SNA	
44	JC66-02443A	GEAR-DRV DEVE CZ	4	SNA	
45	JC67-00341A	CAP-OPC GEAR	4	SNA	
46	JC92-02107A	PBA SUB-TEMP	1	SNA	
47	JC93-00112A	DRIVE MAIN-GEAR OPC	4	SNA	
48	JC93-00148A	FRAME BASE-RIGHT	1	SNA	
49	JC97-02851A	MEA UNIT-SWING	1	SNA	
50	JC97-02853A	MEA UNIT-COUPLING OPC	4	SNA	

10. FEED DRIVE



0



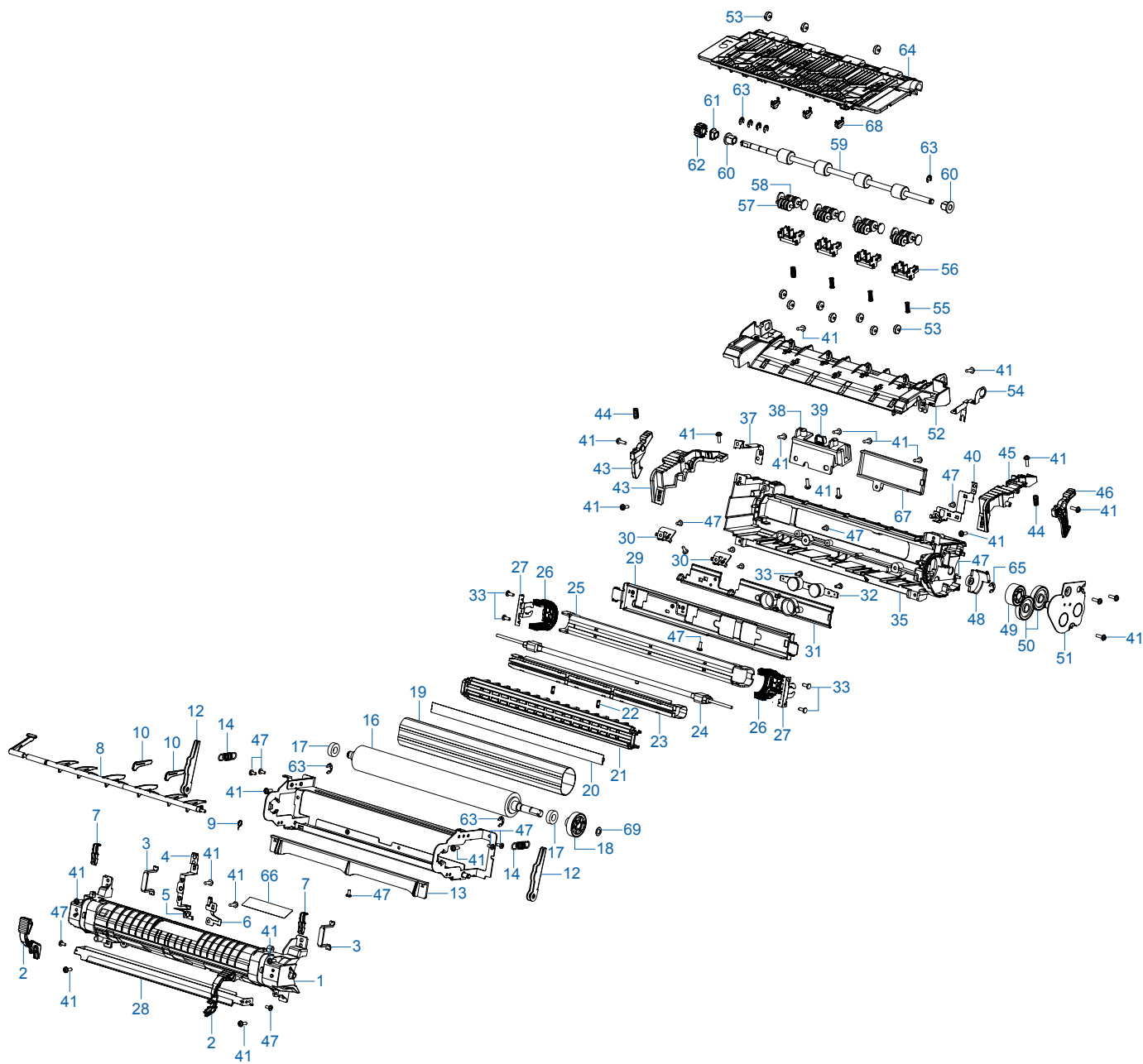
FEED DRIVE Parts List

SA : SERVICE AVAILABLE, SNA : SERVICE not AVAILABLE

Drawer#	SEC_Code	Description	QT'y	Service	Remark
0	JC93-00153A	DRIVE-FEED	1	SNA	
2	0205-001232	GREASE	1	SNA	
3	6003-000269	SCREW-TAPTYPE	2	SA	
4	JC31-00112A	MOTOR STEP	1	SA	
5	JC61-02776B	BRACKET-FEED MOTOR	1	SNA	
6	JC61-03520A	BRACKET-FEED GEAR	1	SA	
7	JC66-01363A	GEAR-DRV MAIN PICK-UP	1	SNA	

Drawer#	SEC_Code	Description	QT'y	Service	Remark
8	JC66-02040A	GEAR-RDCN FEED A	1	SNA	
9	JC66-02042A	GEAR-RDCN FEED C	1	SNA	
10	JC66-02043A	GEAR-IDLE FEED A	1	SNA	
11	JC66-02044A	GEAR-IDLE FEED B	1	SNA	
12	JC66-02436A	GEAR-RCDN FEED B	1	SA	
13	JC66-02437A	GEAR-RCDN FEED D	1	SA	
14	JC72-00825A	PMO-IMPELLER_DRV	1	SA	

11. FUSER



FUSER Parts List

SA : SERVICE AVAILABLE, SNA : SERVICE not AVAILABLE

Drawer#	SEC_Code	Description	QT'y	Service	Remark
0	JC91-00970A	FUSER	1	SA	620ND/110V
0	JC91-00971A	FUSER	1	SA	620ND/220V
0	JC91-0096	FUSER	1	SA	670ND/110V
0	JC91-00969A	FUSER	1	SA	620ND/220V
1	JC61-02724A	FRAME-LOWER FUSER	1	SNA	
2	JC66-02023A	LEVER-JAM	2	SNA	
3	JC66-02024A	LEVER-RELEASE	2	SNA	
4	JC63-02504A	GROUND-PR_SUB	1	SNA	
5	JC61-02738A	PLATE-GROUND SUB	1	SNA	
6	JC61-02727A	PLATE-GROUND FUSER PR	1	SNA	
7	JC61-03507A	HOLDER-RELEASE	2	SNA	
8	JC66-01404A	ACTUATOR-FUSER	1	SA	
9	JC61-70903A	SPRING ETC-ACTUATOR	1	SA	
10	JC61-02731A	GUIDE-ACTUATOR	2	SNA	
11	JC61-02718A	BRACKET-FUSER MAIN	1	SNA	
12	JC61-03494A	BRACKET-BUSH	2	SNA	
13	JC61-02732A	GUIDE-PLATE	1	SNA	
14	6107-001835	SPRING-ES	2	SNA	
15	JC61-02723A	BRACKET-SUPPORT	1	SNA	
16	JC66-02433A	ROLLER-PRESSURE	1	SA	
17	6601-001341	BEARING-BALL	2	SNA	
18	JC66-02022A	GEAR-PR	1	SA	
19	JC66-02037A	DRUM-FUSER_BELT	1	SA	
20	JC61-02722A	BRACKET-NIP SUB	1	SNA	
21	JC61-02735A	HOLDER-INNER	1	SNA	
22	JC61-02662A	BRACKET-GAP	2	SNA	
23	JC61-02721A	BRACKET-NIP	1	SNA	
24	4713-001284	LAMP-HALOGEN	1	SA	620ND/110V
24	4713-001285	LAMP-HALOGEN	1	SA	620ND/220V
24	4713-001272	LAMP-HALOGEN	1	SA	670ND/110V
24	4713-001273	LAMP-HALOGEN	1	SA	670ND/220V

Drawer#	SEC_Code	Description	QT'y	Service	Remark
25	JC61-02720A	BRACKET-INNER BELT PI30	1	SNA	
26	JC61-02737A	BUSH-BELT	2	SNA	
27	JC61-02739A	HOLDER-LAMP	2	SNA	
28	JC61-03705A	GUIDE-INPUT_P	1	SA	
29	JC61-02713A	BRACKET-BELT	1	SNA	
30	JC61-02769A	BRACKET-THERMISTOR	1	SNA	
31	JC61-02734A	HOLDER-HARNESS	1	SNA	
32	4712-001050	THERMOSTAT	1	SA	
33	6003-000282	SCREW-TAPTYPE	6	SNA	
34	6003-000267	SCREW-TAPTYPE	2	SNA	
35	JC61-02725A	FRAME-UPPER FUSER	1	SNA	
36	JC63-02572A	COVER-THERMOSTAT	1	SNA	
37	JC63-02503A	GROUND-LOWER	1	SNA	
38	JC61-01929A	HOLDER-CONNECTOR	1	SNA	
39	JC61-02657A	HOLDER-THERMISTOR	1	SNA	
40	JC63-01309A	GROUND-UPPER	1	SNA	
41	6003-000196	SCREW-TAPTYPE	25	SNA	
42	JC64-00525A	HANDLE-FUSER_LC	1	SNA	
43	JC64-00310A	LOCKER-FUSER_L	1	SNA	
44	JC61-00550A	SPRING ETC-DEVE REAR	2	SNA	
45	JC64-00524A	HANDLE-FUSER_RC	1	SNA	
46	JC64-00309A	LOCKER-FUSER_R	1	SNA	
47	6003-000269	SCREW-TAPTYPE	12	SNA	
48	JC63-02445A	COVER-GEAR FUSER	1	SNA	
49	JC66-02025A	GEAR-IDLE PR	1	SA	
50	JC66-02026A	GEAR-IDLE SUB	2	SA	
51	JC61-02717A	BRACKET-DRIVE FUSER	1	SNA	
52	JC61-02728A	GUIDE-OUTPUT FUSER	1	SNA	
53	JC66-00608A	ROLLER-EXIT IDLE	10	SNA	
54	JC63-01310A	GROUND-EXIT	1	SNA	
55	JC61-70911A	SPRING ETC-EXIT ROLL FD	4	SNA	

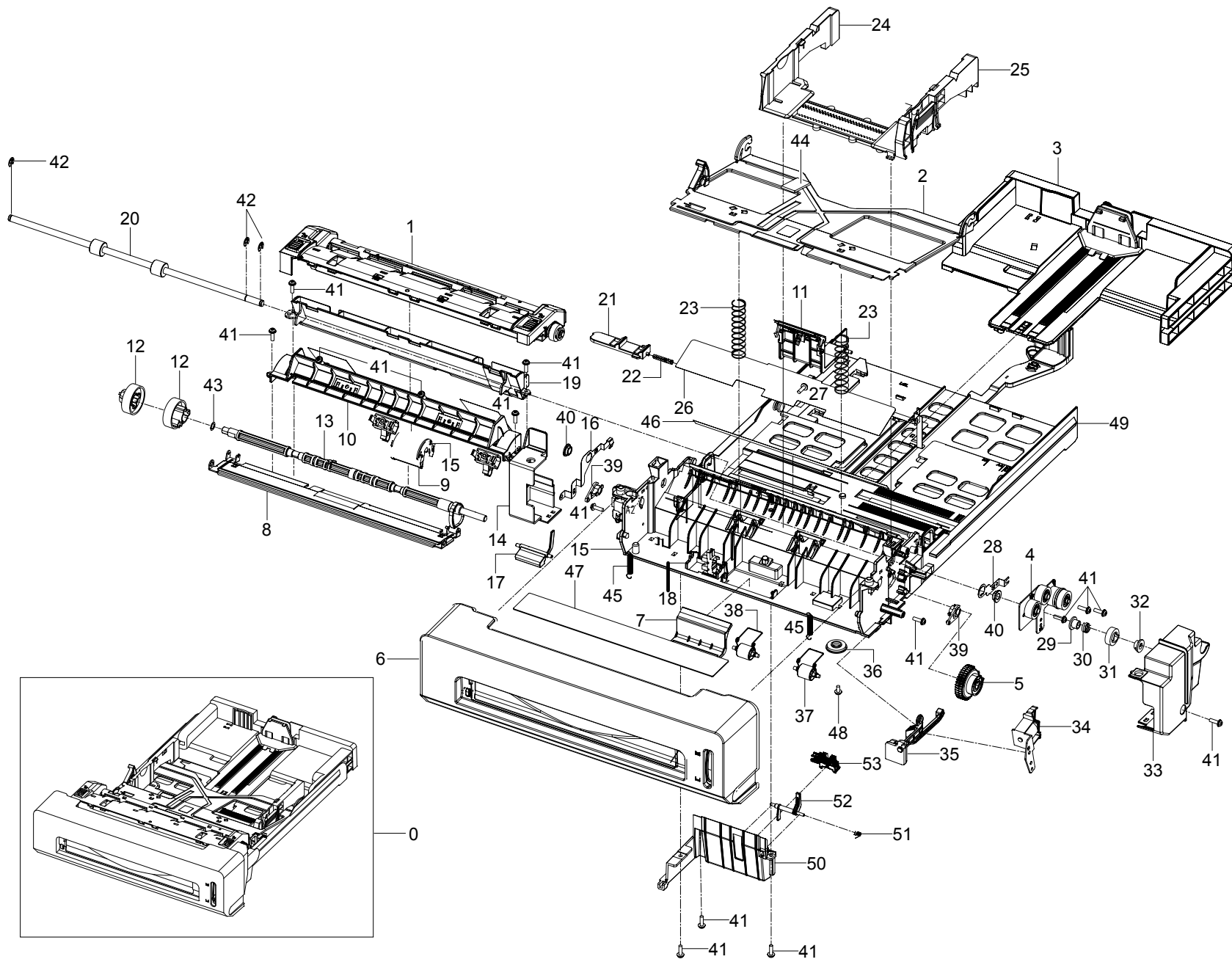
FUSER Parts List

SA : SERVICE AVAILABLE, SNA : SERVICE not AVAILABLE

Drawer#	SEC_Code	Description	QT'y	Service	Remark
56	JC61-00547A	HOLDER-EXIT(MC)	4	SNA	
57	JC66-01233A	ROLLER FD R	4	SNA	
58	JC72-41007A	PMO-ROLLER FD F	4	SNA	
59	JC66-02558A	ROLLER-EXIT	1	SNA	
60	JC61-00884A	BUSH-6_D(L)	2	SNA	
61	JC61-00423A	BUSH-6_D	1	SNA	
62	JC66-00782A	GEAR-_M_EXIT	1	SA	
63	6044-000125	RING-E	5	SNA	
64	JC61-01935A	GUIDE-DUPLEX	1	SA	

Drawer#	SEC_Code	Description	QT'y	Service	Remark
65	6044-000125	RING-E	3	SNA	
66	JC68-01581C	LABEL-CAUTION	1	SNA	
67	JC63-02572A	COVER-THERMOSTAT	1	SNA	
68	JC61-03752A	HOLDER_RIB	3	SNA	
69	6031-000023	WASHER-PLAN	1	SNA	
70	1404-001486	THERMISTOR-NTC ASSY	1	SA	
71	JC39-00668A	HARNESS-FUSER DRAW_F	1	SNA	
72	JC68-01381A	LABEL(R)-PPID(DEVE)	1	SNA	

12. Cassette



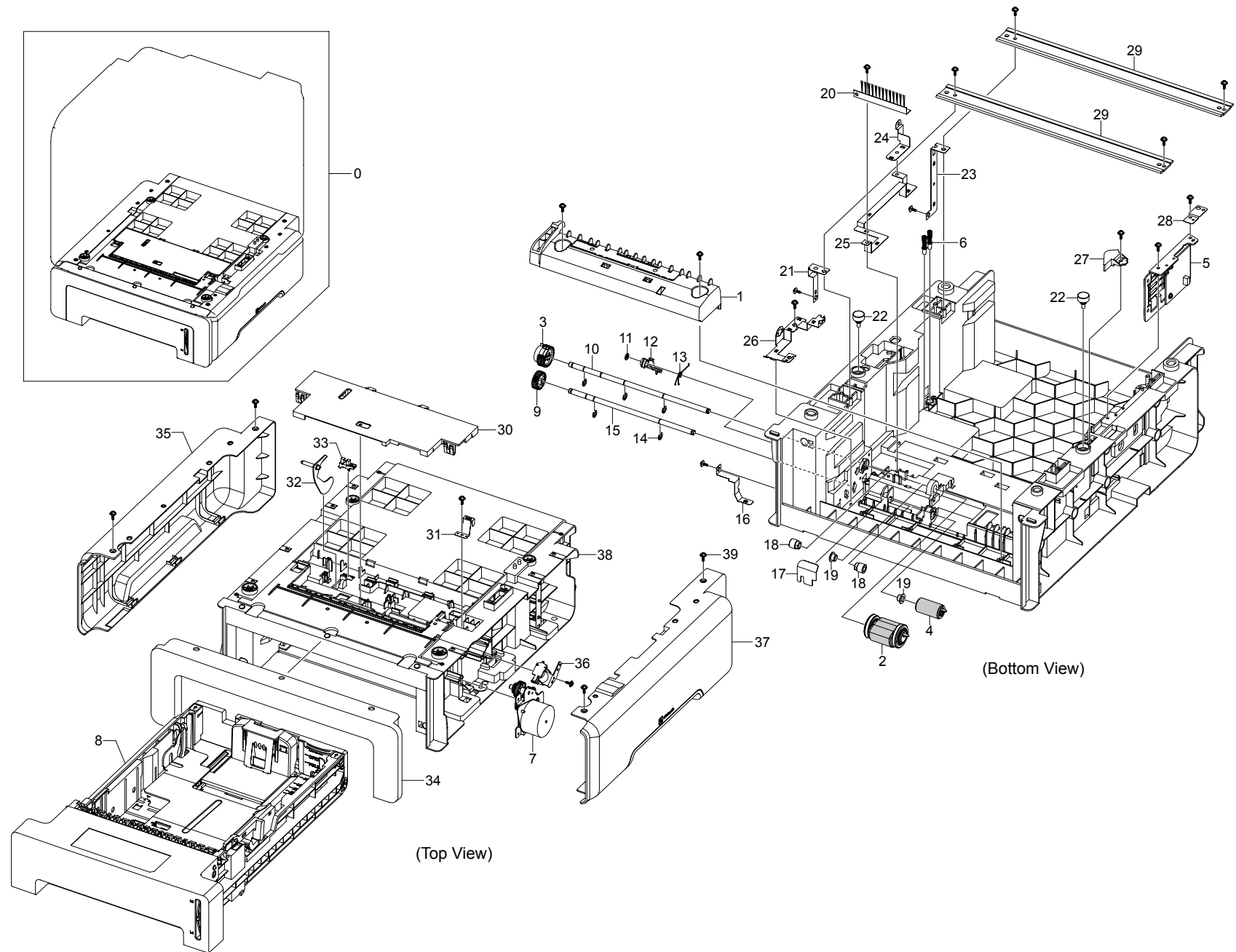
Cassette Parts List

SA : SERVICE AVAILABLE, SNA : SERVICE not AVAILABLE

Drawer#	SEC_Code	Description	QT'y	Service	Remark
0	JC90-00980A	CASSETTE	1	SA	
1	JC90-00978A	CASSETTE-REGISTRATION	1	SA	
2	JC97-02888A	MEA-KNOCK_UP_PLATE	1	SNA	
3	JC90-00972A	CASSETTE-EXTENSION	1	SA	
4	JC97-02889A	MEA UNIT-GEAR_BASE	1	SNA	
5	JC97-02893A	MEA-GEAR PICKUP_MP	1	SA	
6	JC90-00976A	CASSETTE-COVER ASSY	1	SNA	
7	JC97-02892A	MEA-HOLDER PAD_MP	1	SA	
8	JC97-02891A	MEA-KNOCK_UP PLATE_MP	1	SNA	
9	JC96-02686B	ELA UNIT-ROLLER P/UP MP	1	SA	
10	JC90-00977A	CASSETTE-GUIDE DUPLEX	1	SA	
11	JC97-03077A	MEA-HOLDER_PAD_SHEET	1	SA	
12	JC72-01003A	PMO-IDLE PICK UP MP	2	SA	
13	JC66-01348A	SHAFT-MP_PICK_UP	1	SA	
14	JC63-01286B	COVER-DRAW_CONNECTOR	1	SNA	
15	JC39-01333A	HARNESS-MP DRAWER_MP	1	SNA	
16	JC63-01282A	GROUND-REGI_BRKT	1	SNA	
17	JC66-01403A	ACTUATOR-FEED_EMPTY	1	SA	
18	0604-001095	PHOTO-INTERRUPTER	1	SA	
19	JC61-01865A	GUIDE-PAPER_MPF	1	SNA	
20	JC66-01347A	ROLLER-FEED	1	SA	
21	JC72-00972A	PMO-PLATE_LOCKER	1	SA	
22	JG61-70531A	SPRING ETC-LOCKER,PLATE	1	SA	
23	6107-001166	SPRING-CS	2	SA	
24	JC70-00300A	ADJUST-M-CASSETTE_L	1	SA	
25	JC70-00301A	ADJUST-M-CASSETTE_R	1	SC	
26	JC61-01940A	PLATE-GND_KNOCKUP	1	SNA	
27	JC63-01291A	SHEET-MPF	1	SNA	
28	JC61-01923A	PLATE-GND-BRKT-GEAR	1	SNA	

Drawer#	SEC_Code	Description	QT'y	Service	Remark
29	JC61-01128A	HOLDER-_M_GEAR REGI	1	SNA	
30	6107-001249	SPRING-CS	1	SNA	
31	JC66-00774A	GEAR-M-REGI	1	SA	
32	JC61-01127A	HOLDER-_M_CLUTCH GEAR	1	SNA	
33	JC63-01285A	COVER-GEAR_BOX	1	SNA	
34	JC33-00022A	SOLENOID-PICK_UP	1	SA	
35	JC66-01355C	LEVER-LINK_INDICATOR	1	SA	
36	JG66-40003A	GEAR-PINION	1	SA	
37	JC66-00764A	ROLLER-IDLE FEED	2	SA	
38	JC61-01274A	SPRING ETC-ROLLER	2	SNA	
39	JC72-41191B	PMO-BEARING SHAFT	2	SA	
40	JC61-00699A	BUSH-D6/L4	2	SNA	
41	6003-000196	SCREW-TAPTYPE	10	SA	
42	6044-000125	RING-E	3	SA	
43	6031-001543	WASHER-PLAIN	1	SNA	
44	JC62-00326A	SEAL-WASTE SIDE	1	SNA	
45	JC61-70913A	SPRING ETC-KNOCK UP MP	2	SA	
46	JC63-01756A	SHEET-CASSETTE	1	SNA	
47	JC68-02020A	LABEL-INFORMATION	1	SNA	
48	6003-000264	SCREW-TAPTYPE	1	SNA	
49	JC61-01856A	FRAME-CASSETTE	1	SNA	
50	JC61-03704A	HOLDER-ACTUATOR	1	SNA	
51	JB61-00107A	SPRING ETC-LEVER SENSOR	1	SA	
52	JC66-02556A	ACTUATOR-CHECK PAPER	1	SNA	
53	0604-001393	PHOTO-INTERRUPTER	1	SNA	
54	0205-001003	GREASE-BEARING	1	SNA	
55	0205-001067	GREASE-GRAPHITE	1	SNA	
56	0205-001144	GREASE-BEARING	1	SNA	

13. SCF Unit



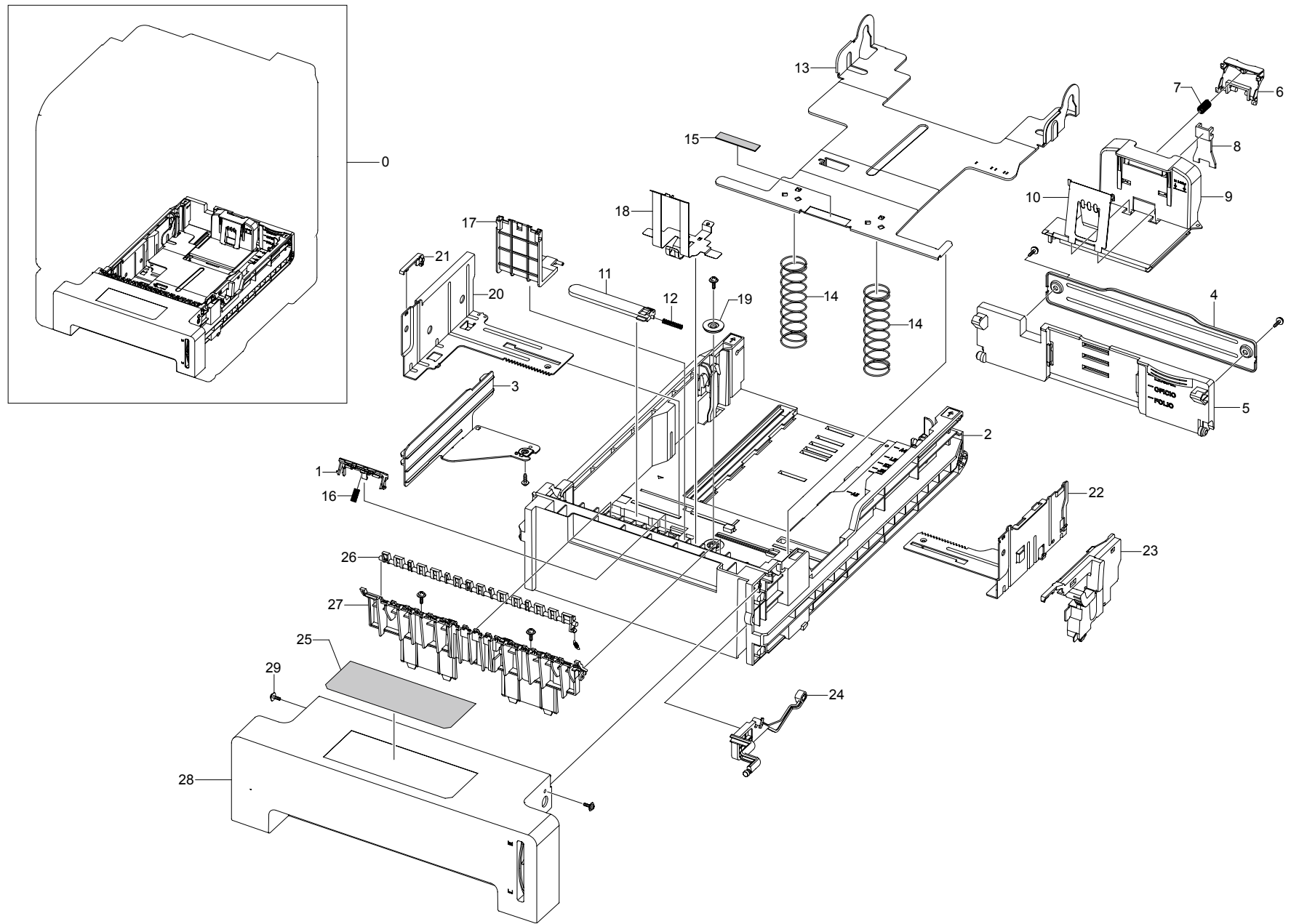
SCF Unit Parts List

SA : SERVICE AVAILABLE, SNA : SERVICE not AVAILABLE

Drawer#	SEC_Code	Description	QT'y	Service	Remark
0	JC96-04502A	ELA HOU-UNIT_SCF			
1	JC96-04019A	ELA UNIT-IDLE_SCF	1	SA	
2	JC97-02233A	MEA UNIT-P/UP_HOUSING	1	SA	
3	JC97-02691A	MEA UNIT-GEAR_PICK_UP	1	SA	
4	JC81-03458A	AS-UNIT_FEED1	1	SA	
5	JC96-02127A	ELA HOU-CST SENSOR HAWK16	1	SA	
6	JC97-01401A	MEA UNIT-TERMINAL:TR	4	SA	
7	JC96-03956A	ELA UNIT-MOTOR SCF	1	SA	
8	JC96-04503A	ELA HOU-UNIT_CASSETTE	1	SNA	
9	JC66-01262A	GEAR-FEED	1	SNA	
10	JC66-01277A	SHAFT-PICK UP_SCF	1	SA	
11	6044-000001	RING-CS	1	SNA	
12	JC61-01743A	HOLDER-PICK_UP_SCF	1	SNA	
13	6107-001170	SPRING-TS	1	SA	
14	6044-000125	RING-E	5	SA	
15	JC66-01276A	SHAFT-FEED_SCF	1	SA	
16	JC63-01137A	GROUND-P_MOTOR_SCF	1	SNA	
17	JC63-01163A	SHEET-GUIDE_PATH	1	SA	
18	JC61-01579A	HOLDER-P-REGI	2	SNA	
19	JC66-10202A	BEARING-PICK UP	2	SA	

Drawer#	SEC_Code	Description	QT'y	Service	Remark
20	JC67-00204A	BRUSH-PICK	1	SA	
21	JC63-01136A	GROUND-P_FRONT_BOTTOM	1	SNA	
22	JC61-40001A	FOOT-ML80	2	SA	
23	JC63-01140A	GROUND-P_REAR_BOTTOM	1	SNA	
24	JC61-01904A	PLATE-GND_REAR_TOP	1	SNA	
25	JC61-01903A	PLATE-GND_FRAME_SCF	1	SNA	
26	JC63-01141A	GROUND-P_SHAFT	1	SNA	
27	JC72-01355A	PMO-REMOVE_LOCK_CST	1	SA	
28	JC63-00675A	GROUND-P-PAPER_SIZE	1	SNA	
29	JC71-00042A	BAR-P_CROSS BOTTOM	2	SA	
30	JC63-00686A	COVER-M-DUMMY_SCF	1	SNA	
31	JC70-11028A	IPR-GROUND TOP	1	SNA	
32	JC72-00992A	PMO-ACTUATOR EMPTY,SCF	1	SA	
33	0604-001095	PHOTO-INTERRUPTER	1	SA	
34	JC63-01305A	COVER-FRONT_SCF	1	SNA	
35	JC63-01303A	COVER-LEFT_SCF	1	SNA	
36	JC33-00012A	SOLENOID-MAIN	1	SA	
37	JC63-01304A	COVER-RIGHT_SCF	1	SNA	
38	JC61-01902A	FRAME-SCF	1	SNA	
39	6003-000196	SCREW-TAPTITE	24	SNA	

14. SCF Cassette



SCF Cassette Parts List

SA : SERVICE AVAILABLE, SNA : SERVICE not AVAILABLE

Drawer#	SEC_Code	Description	QT'y	Service	Remark
0	JC96-04503A	ELA HOU-UNIT-CASSETTE	1	SA	
1	JC97-02844A	MEA-UNIT HOLDER PAD	1	SA	
2	JC61-01220C	FRAME-M_CASSETTE	1	SA	
3	JC61-01227A	GUIDE-M-PAPER SIZE	1	SA	
4	JC61-01223A	FRACKET-P-EXTENTION	1	SA	
5	JC61-01224C	GUIDE-M_EXTENSION CST	1	SA	
6	JC64-00190B	KNOB-M_REAR	1	SA	
7	JC61-00414A	SPRING ETC-GUIDE PAPER	2	SA	
8	JC61-00267B	GUIDE-M-LOCK A	1	SA	
9	JC61-01226B	GUIDEM_REAR	1	SA	
10	JC61-00751A	GUIDE-P-REAR PAPER CST	1	SA	
11	JC72-41210A	PMO-LOCKER PLATE	1	SA	
12	JC61-70531A	SPRING ETC-LOCKER_PLATE	1	SA	
13	JC61-01245A	PLATE-P-KNOCK UP	1	SA	
14	JC61-00455A	SPRING ETC-PLATE K/UP	1	SA	

Drawer#	SEC_Code	Description	QT'y	Service	Remark
15	JC73-00141A	RPR-PAD CASSETTE	1	SA	
16	JC61-70911A	SPRING ETC-EXIT ROLL FD	1	SA	
17	JC61-01228A	HOLDER-M-PAD_HOUSING	1	SA	
18	JC63-01206A	GROUND-CASSETTE	1	SA	
19	JC66-40003A	GEAR-PINION	1	SA	
20	JC67-01222A	GUIDE-P-SIDE_L	1	SA	
21	JC67-00037A	CAP-M-GUIDE SIDE_L	1	SA	
22	JC61-01244A	GUIDE-P-SIDE_R	1	SA	
23	JC61-01225B	GUIDE-M_SIDE LOCK	1	SA	
24	JC66-01409A	LEVER-INDICATOR_SCF	1	SA	
25	JC68-01552A	LABEL®-CASSETTE	1	SNA	
26	JC64-00268A	SHUTTER-PATH	1	SA	
27	JC61-01724A	GUIDE-PAPER	1	SA	
28	JC63-01306A	COVER_HANDLE	1	SA	
29	6002-000440	SCREW-TAPPING	8	SA	