

5. Exploded Views and Parts List

Contents

5.1	Main	5-2	5.9	Feed Drive	5-18
5.2	Cover Unit	5-4	5.10	Fuser Drive	5-20
5.3	Top Cover	5-6	5.11	Fuser	5-22
5.4	OPE Unit	5-8	5.12	PTB Unit	5-25
5.5	Front Cover	5-10	5.13	Cassette	5-28
5.6	Exit Cover	5-12	5.14	SCF Unit	5-31
5.7	MP Tray	5-14	5.15	SCF Cassette	5-33
5.8	Frame	5-16			

Samsung Color Laser Printer

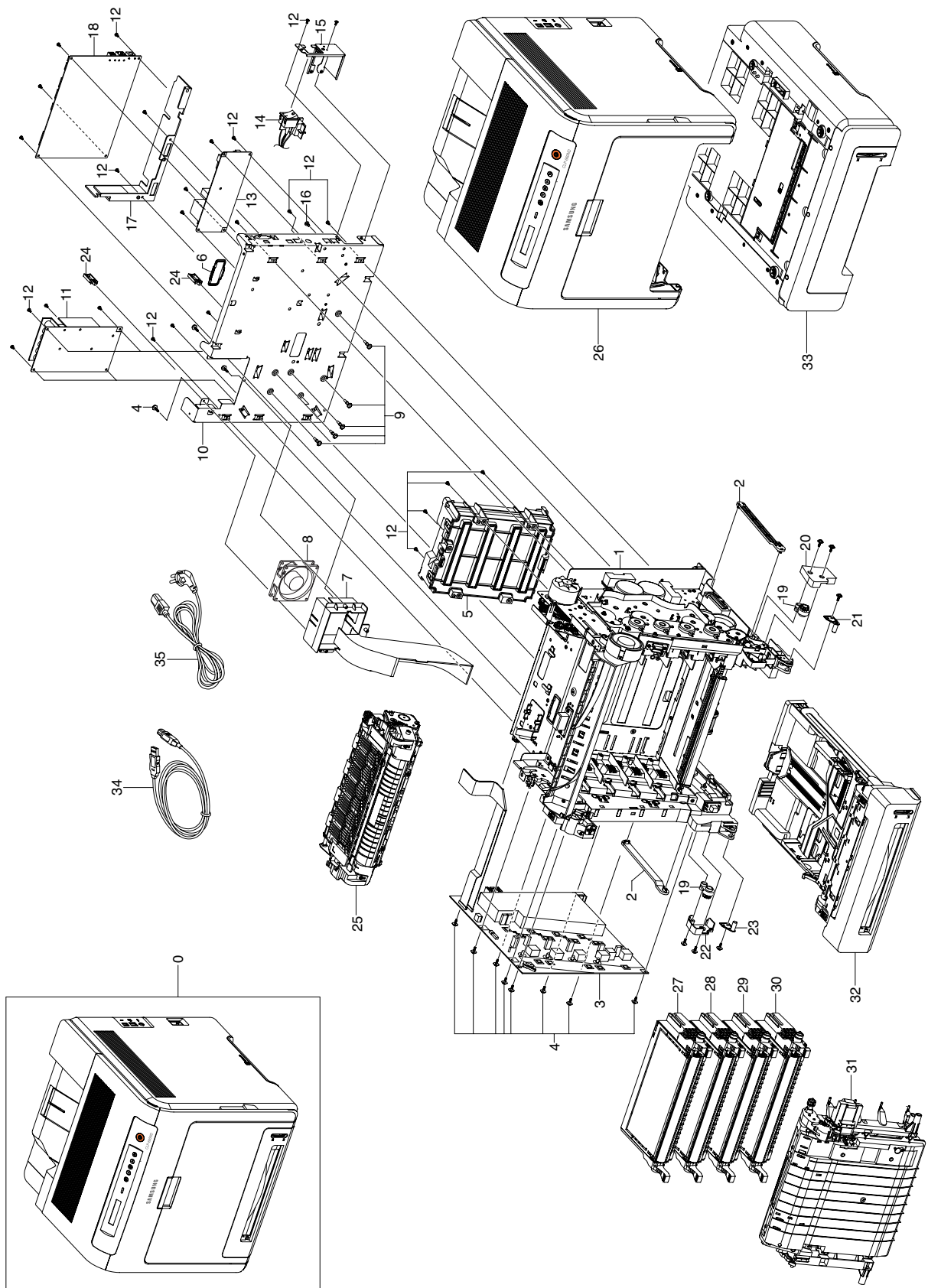


The keynote of Product

High SMB/Easy of Use Tandem CLBP

- Emulation : CLP-610ND(SPL-C), CLP-660, 660N(PostScript 3, PCL6)
- Speed : CLP-610ND(20/20 ppm), CLP-660, 660N(24/24 ppm)
- Resolution : CLP-610ND(1,200 x 600 dpi), CLP-660N, 660ND(1,200 x 600 dpi)
- CPU : CLP-610ND(300 MHz), CLP-660N, 660ND(533 MHz)
- Interface : N/W
- Memory : CLP-610ND / 64 MB, CLP-660N, 660ND/128 MB (Max. 640 MB)
- Duplex (Option)
- 250 CST, 1 Manual, 100 MP
- Toner Cartridge: 2.5K/2K (Std.), 5.5K/5K (High)
- Printer Life: Color 200K / Mono 200K pages

5.1 Main



Main Parts List

SA : SERVICE AVAILABLE, SNA : SERVICE not AVAILABLE

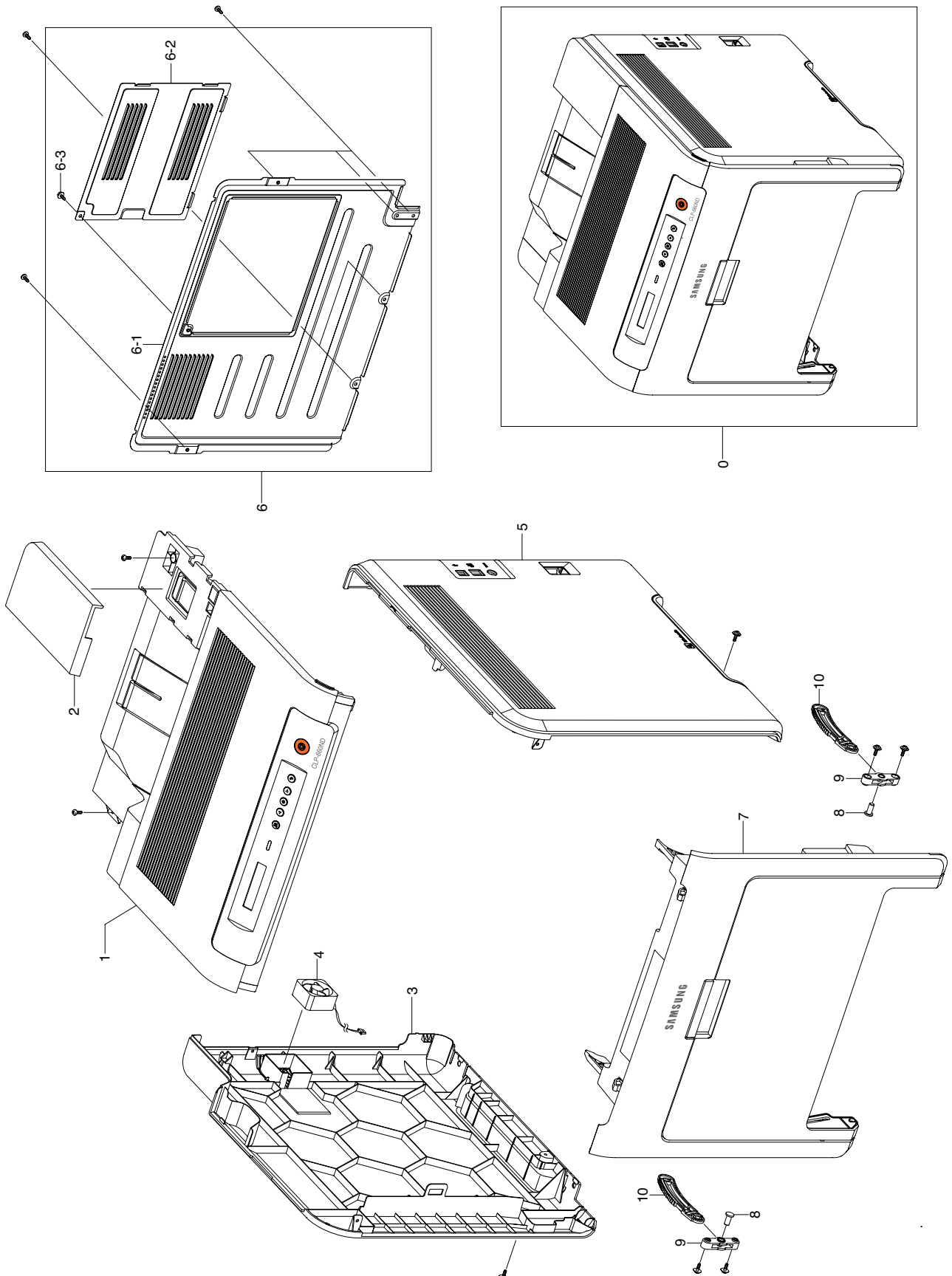
Drawer#	SEC_CODE	DESCRIPTION	QT'Y	Service	Remark
5.1-0	CLP-610ND	A4 CLBP,GDI,N/W,DUPLEX			
5.1-0	CLP-660ND	A4 CLBP,PCL,N/W,DUPLEX			
5.1-0	CLP-660N	A4 CLBP,PCL,N/W			
5.1-1	JC96-04490A	ELA UNIT-MAIN_FRAME	1	SA	CLP-660
5.1-1	JC96-04490B	ELA UNIT-MAIN_FRAME	1	SA	CLP-610
5.1-2	JC66-01422A	LINK-HINGE	2	SA	
5.1-3	JC44-00136A	HVPS	1	SA	
5.1-5	JC96-04500A	ELA UNIT-LSU	1	SA	
5.1-6	JC61-01012A	GUIDE-_M_BUSH HARNESS S	1	SA	
5.1-7	JC96-04487A	ELA UNIT-DUCT_FUSER	1	SA	
5.1-8	JC31-00072A	FAN-DC	1	SA	
5.1-10	JC96-04864A	ELA UNIT-BRACKET_MAIN	1	SA	
5.1-11	JC44-00091A	SMPS-PSP_TYPE4_V1	1	SA	110V
5.1-11	JC44-00092A	SMPS-PSP_TYPE4_V2C	1	SA	220V
5.1-13	JC44-00143A	FDB-MULTI_TRIAC V2C,CLP-660	1	SA	220V
5.1-13	JC44-00142A	FDB-MULTI_TRIAC V1,CLP-660	1	SA	110V
5.1-13	JC44-00153A	FDB-SINGLE TRIAC V2C,CLP-610	1	SA	220V
5.1-13	JC44-00152A	FDB-SINGLE TRIAC V1,CLP-610	1	SA	110V
5.1-14	JC39-00662A	HARNESS-AC_INLET	1	SNA	CLP-660
5.1-15	JC61-01867A	BRACKET-DUMMY_POWER	1	SA	
5.1-17	JC61-01866A	BRACKET-MAIN	1	SA	
5.1-18	JC92-01870A	PBA-MAIN,CLP-660	1	SA	110V
5.1-18	JC92-01870B	PBA-MAIN,CLP-660	1	SA	220V
-	JC96-04583A	ELA HOU-MAIN_SODIMM,CLP-660		SNA	110V
	JC96-04583B	ELA HOU-MAIN_SODIMM,CLP-660		SNA	220V
-	JC92-01889A	PBA SUB-RAM DIMM,128MB	1	SNA	CLP-660
5.1-18	JC92-01949A	PBA-MAIN,CLP-610	1	SA	110V
5.1-18	JC92-01949B	PBA-MAIN,CLP-610	1	SA	220V
-	JC96-04841A	ELA HOU-MAIN_SODIMM,CLP-610	1	SA	110V
	JC96-04841A	ELA HOU-MAIN_SODIMM,CLP-610	1	SA	220V
-	JC92-01923A	PBA-RAM DIMM,DDR2	1	SNA	CLP-610
5.1-19	JC66-01425A	DAMPER-HINGE	2	SA	
5.1-20	JC61-01911A	FRAME-DAMPER_R	1	SA	
5.1-21	JC61-01897A	BRACKET-HINGE_R	1	SA	
5.1-22	JC61-01912A	FRAME-DAMPER_L	1	SA	
5.1-23	JC61-01896A	BRACKET-HINGE_L	1	SA	
5.1-24	6502-001093	CABLE CLAMP	2	SA	
5.1-25	JC96-04495A	ELA UNIT-FUSER LV,CLP-660	1	SA	110V
5.1-25	JC96-04496A	ELA UNIT-FUSER HV,CLP-660	1	SA	220V
5.1-25	JC96-04544A	ELA UNIT-FUSER LV,CLP-610	1	SA	110V
5.1-25	JC96-04545A	ELA UNIT-FUSER HV,CLP-610	1	SA	220V

Main Parts List

SA : SERVICE AVAILABLE, SNA : SERVICE not AVAILABLE

Drawer#	SEC_CODE	DESCRIPTION	QT'Y	Service	Remark
5.1-26	JC97-02941B	MEA UNIT-COVER	1	SA	CLP-660N
5.1-26	JC97-02941C	MEA UNIT-COVER	1	SA	CLP-660ND
5.1-26	JC97-02941A	MEA UNIT-COVER	1	SA	CLP-610ND
5.1-27	JC96-04391A	ELA UNIT-DEV BK_SET	1	SNA	
5.1-28	JC96-04392A	ELA UNIT-DEV C_SET	1	SNA	
5.1-29	JC96-04393A	ELA UNIT-DEV M_SET	1	SNA	
5.1-30	JC96-04394A	ELA UNIT-DEV Y_SET	1	SNA	
5.1-31	JC96-04406A	ELA UNIT-PTB SET_DUPLEX	1	SNA	
5.1-32	JC96-04498A	ELA HOU-UNIT_CASSETTE	1	SNA	
5.1-33	JC96-04502A	ELA HOU-UNIT_SCF	1	SNA	
5.1-34	-	USB CABLE	1	SA	
5.1-35	-	POWER CORD	1	SA	

5.2 Cover Unit

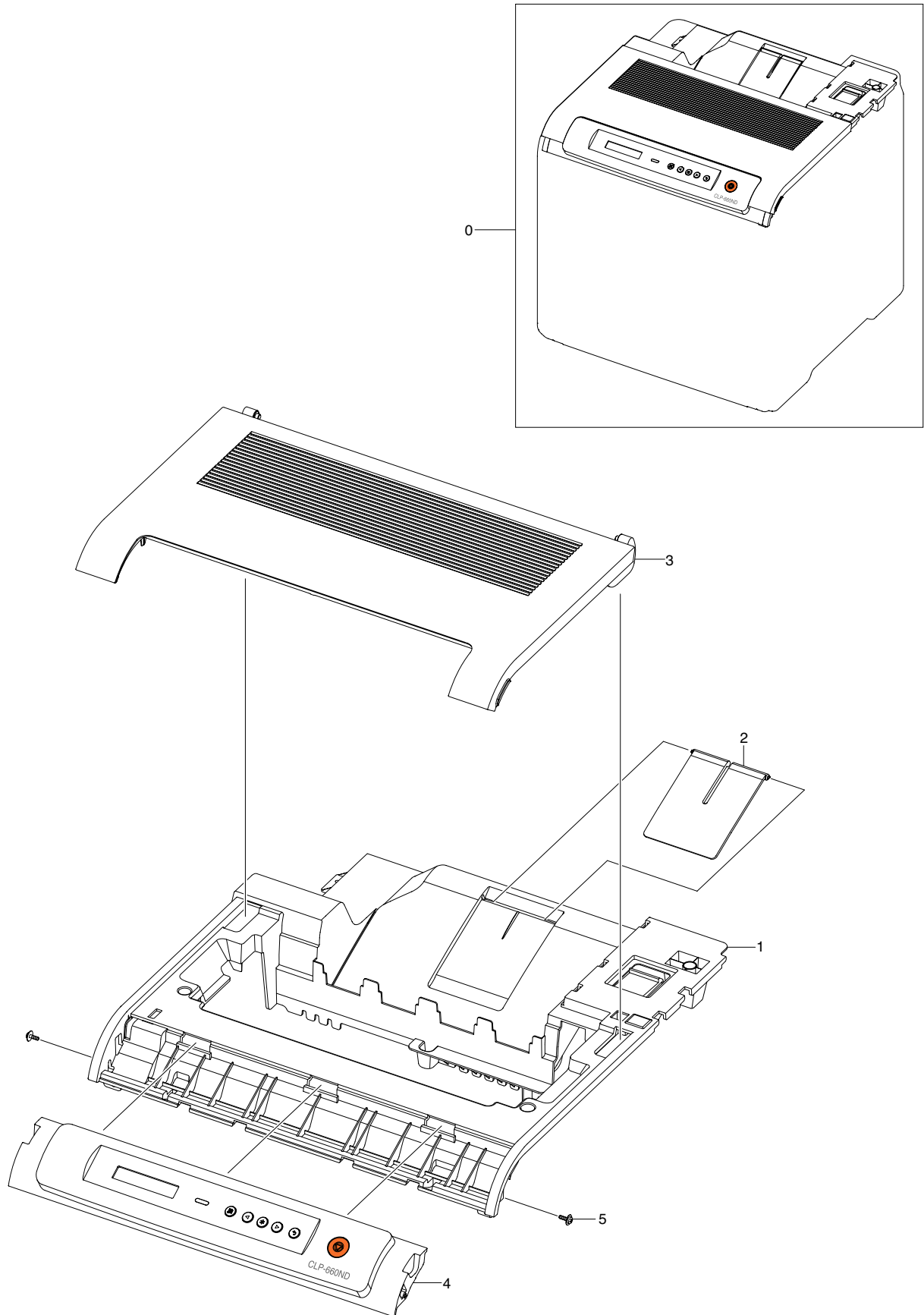


Cover Unit Parts List

SA : SERVICE AVAILABLE, SNA : SERVICE not AVAILABLE

Drawer#	SEC_Code	Description	QT'y	Service	Remark
5.2-0	JC97-02941A	MEA UNIT-COVER	1	SA	CLP-660
5.2-0	JC97-02941B	MEA UNIT-COVER	1	SA	CLP-660N
5.2-0	JC97-02941C	MEA UNIT-COVER	1	SA	CLP-660ND
5.2-0	-	MEA UNIT-COVER	1	SA	CLP-610
5.2-0	-	MEA UNIT-COVER	1	SA	CLP-610N
5.2-0	-	MEA UNIT-COVER	1	SA	CLP-610ND
5.2-1	JC96-04415A	ELA-COVER TOP	1	SA	CLP-660
5.2-1	JC96-04415B	ELA-COVER TOP	1	SA	CLP-660N
5.2-1	JC96-04415C	ELA-COVER TOP	1	SA	CLP-660ND
5.2-1	-	ELA-COVER TOP	1	SA	CLP-610
5.2-1	-	ELA-COVER TOP	1	SA	CLP-610N
5.2-1	-	ELA-COVER TOP	1	SA	CLP-610ND
5.2-2	JC63-01279A	COVER-TOP SUB	1	SA	
5.2-3	JC63-01275A	COVER-LEFT	1	SA	
5.2-4	JC31-00050A	FAN	1	SA	
5.2-5	JC63-01276A	COVER-RIGHT	1	SA	
5.2-6	JC97-03052A	MEA-BRACKET REAR	1	SA	
5.2-6-1	JC61-02211A	COVER-REAR	1	SA	
5.2-6-2	JC63-01314A	COVER-REAR HDD	1	SA	
5.2-6-3	6003-000269	SCREW-TAPTITE	1	SA	
5.2-7	JC97-02846A	MEA-COVER FRONT	1	SA	
5.2-8	JC66-00835A	SHAFT-HINGE LINK	2	SA	
5.2-9	JC61-01846A	HOLDER-LINK FRONT	2	SA	
5.2-10	JC66-01358A	LINK-SUPPORT	1	SA	

5.3 Top Cover

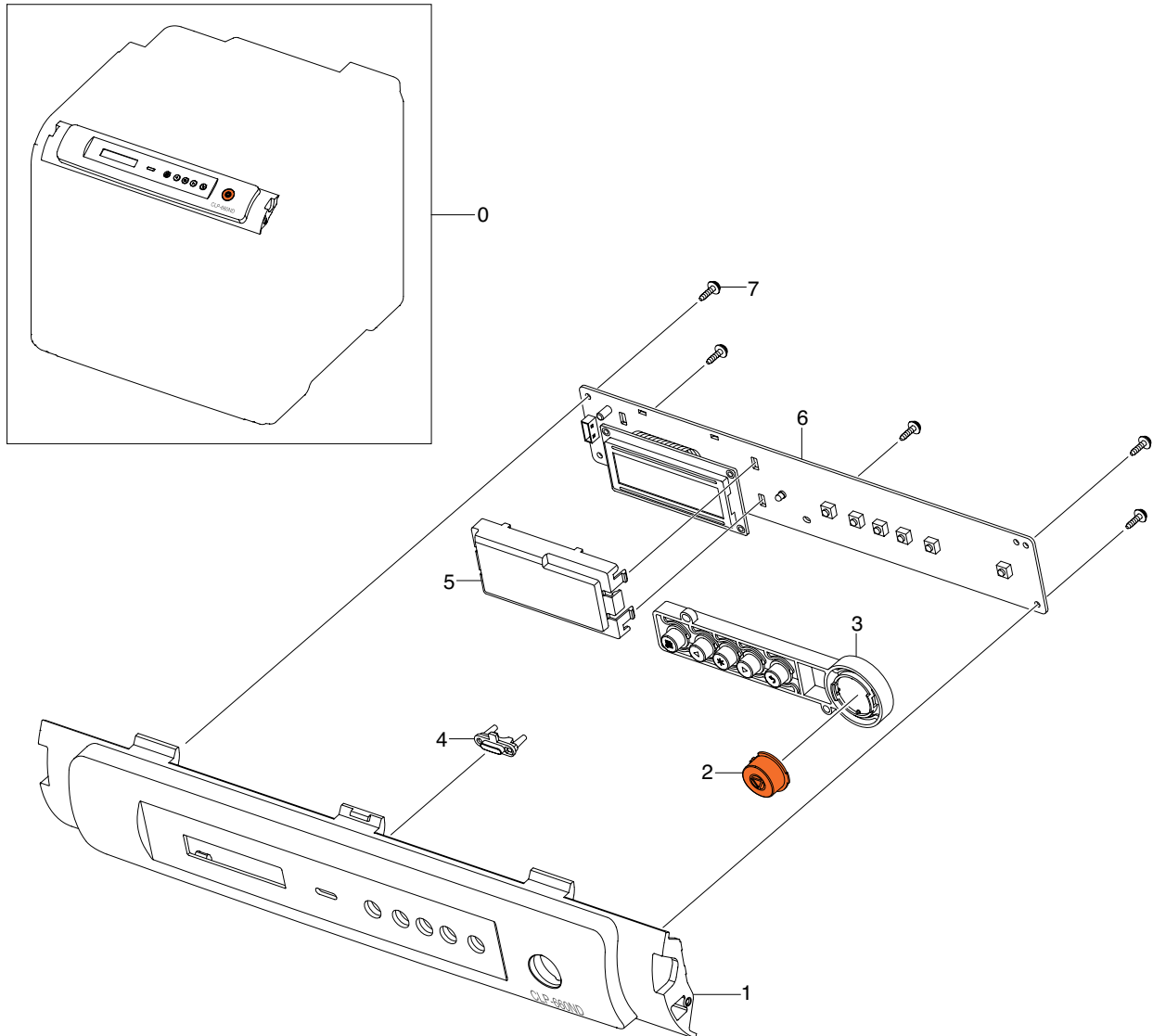


Top Cover Parts List

SA : SERVICE AVAILABLE, SNA : SERVICE not AVAILABLE

Drawer#	SEC_Code	Description	QT'y	Service	Remark
5.3-0	JC96-04415A	ELA-COVER TOP	1	SA	CLP-660
5.3-0	JC96-04415B	ELA-COVER TOP	1	SA	CLP-660N
5.3-0	JC96-04415C	ELA-COVER TOP	1	SA	CLP-660ND
5.3-1	JC63-01278A	COVER-TOP	1	SA	
5.3-2	JC72-01346D	PMO-STACKER RX	1	SA	
5.3-3	JC97-02847A	MEA COVER-EXIT	1	SA	
5.3-4	JC96-04416A	ELA-OPE	1	SA	
5.3-5	6003-000196	SCREW-TAPTITE	2	SNA	

5.4 OPE Unit

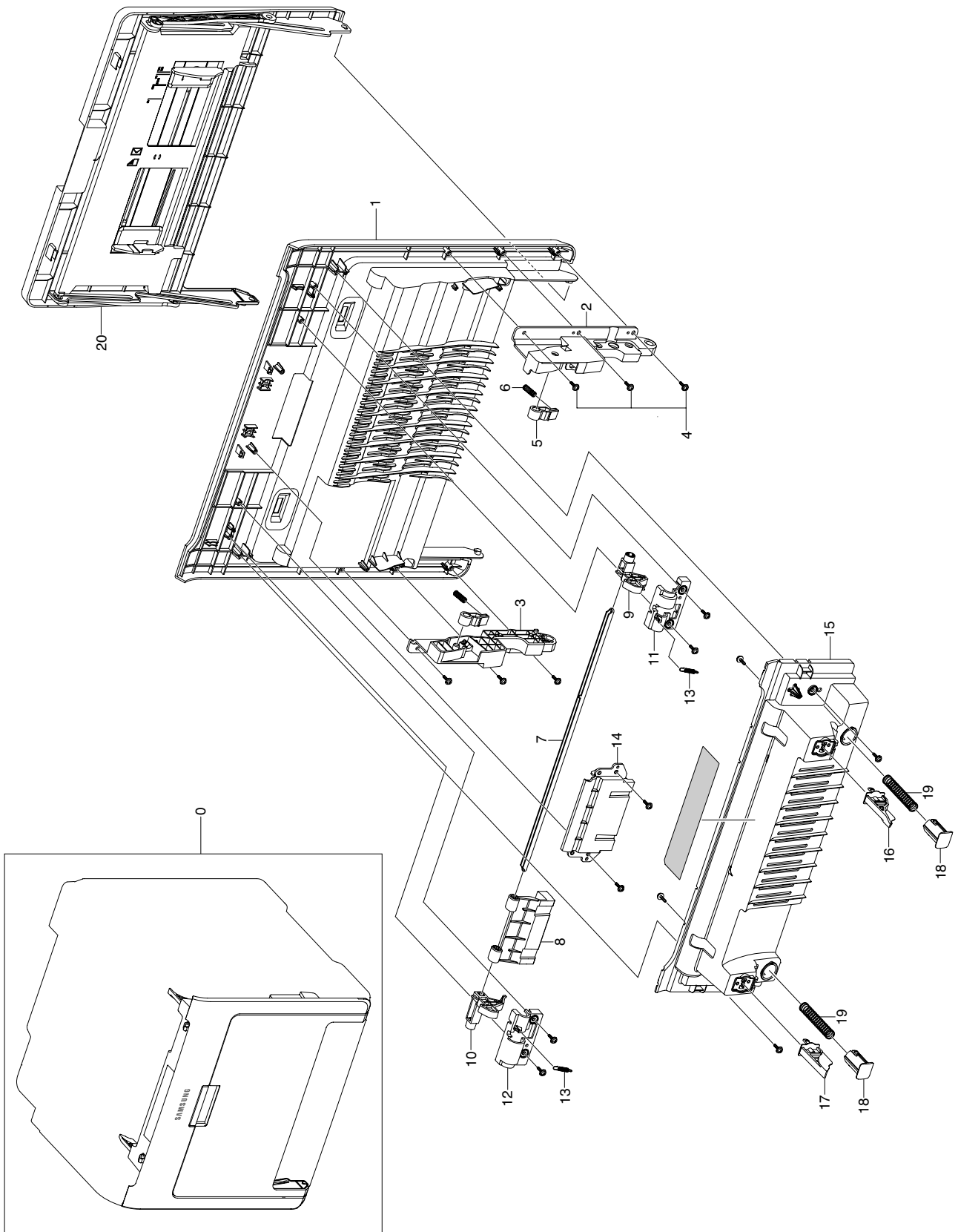


OPE Unit Parts List

SA : SERVICE AVAILABLE, SNA : SERVICE not AVAILABLE

Drawer#	SEC_Code	Description	QT'y	Service	Remark
5.4-0	JC96-04416A	ELA-OPE	1	SA	CLP-660
5.4-0	JC96-04416B	ELA-OPE	1	SA	CLP-660N
5.4-0	JC96-04416C	ELA-OPE	1	SA	CLP-660ND
5.4-1	JC63-01300A	COVER-OPE	1	SA	CLP-660
5.4-1	JC63-01300B	COVER-OPE	1	SA	CLP-660N
5.4-1	JC63-01300C	COVER-OPE	1	SA	CLP-660ND
5.4-2	JC64-00301A	KEY-STOP	1	SA	
5.4-3	JC64-00300A	KEY-MENU	1	SA	
5.4-4	JC67-00218A	LENS-STATUS	1	SA	
5.4-5	JC61-01847A	HOLDER-LCD	1	SA	
5.4-6	JC92-01872A	PBA SUB-OPE	1	SA	
5.4-7	6003-000196	SCREW-TAPTITE	5	SNA	

5.5 Front Cover

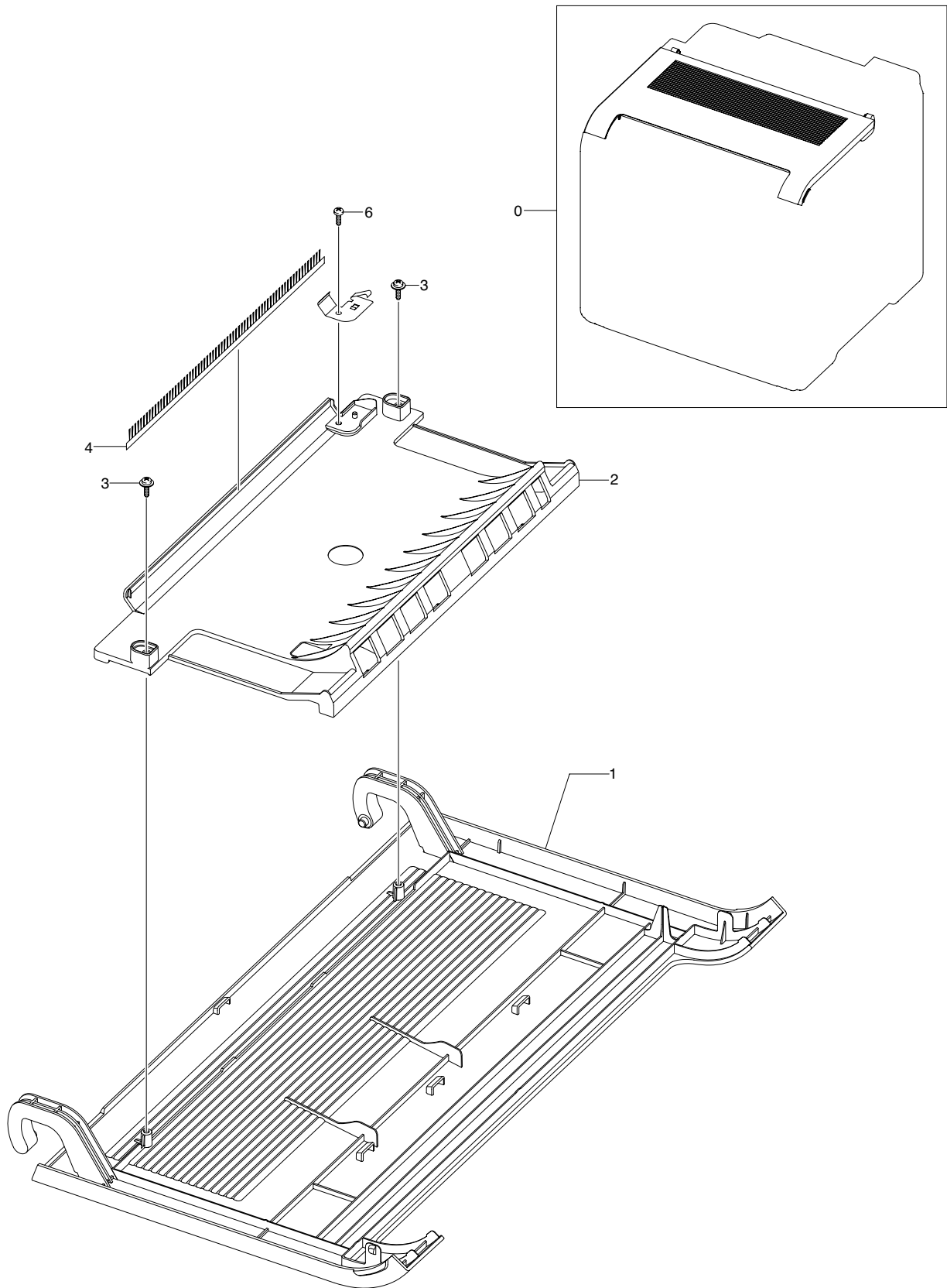


Front Cover Parts List

SA : SERVICE AVAILABLE, SNA : SERVICE not AVAILABLE

Drawer#	SEC_Code	Description	QT'y	Service	Remark
5.5-0	JC97-02846A	MEA-COVER FRONT	1	SA	
5.5-1	JC63-01274A	COVER-FRONT	1	SA	
5.5-2	JC61-01849A	SUPPORT-PTB R	1	SA	
5.5-3	JC61-01848A	SUPPORT-PTB L	1	SA	
5.5-4	6003-000196	SCREW-TAPTITE	14	SNA	
5.5-5	JC66-01354A	LEVER-PTB	2	SA	
5.5-6	JC61-00038A	SPRING ETC-GUIDE DEVE	2	SA	
5.5-7	JC61-01050A	BRACKET-P-COVER LOCK	1	SA	
5.5-8	JC64-00299A	KNOB-HANDLE	1	SA	
5.5-9	JC64-00306A	LOCKER-FRONT R	1	SA	
5.5-10	JC64-00305A	LOCKER-FRONT L	1	SA	
5.5-11	JC61-01843A	HOLDER-LOCKER FRONT R	1	SA	
5.5-12	JC61-01842A	HOLDER-LOCKER FRONT L	1	SA	
5.5-13	6107-001138	SPRING-ES	2	SA	
5.5-14	JC61-01841A	HOLDER-KNOB HANDLE	1	SA	
5.5-15	JC63-01290A	COVER-FRONT PATH	1	SA	
5.5-16	JC66-01353A	LEVER-COUPLING R	1	SA	
5.5-17	JC66-01352A	LEVER-COUPLING L	1	SA	
5.5-18	JC66-01421A	LEVER-PTB TOP	2	SA	
5.5-19	6107-001345	SPRING-CS	2	SA	
5.5-20	JC97-02894A	MEA-TRAY MP	1	SA	

5.6 Exit Cover

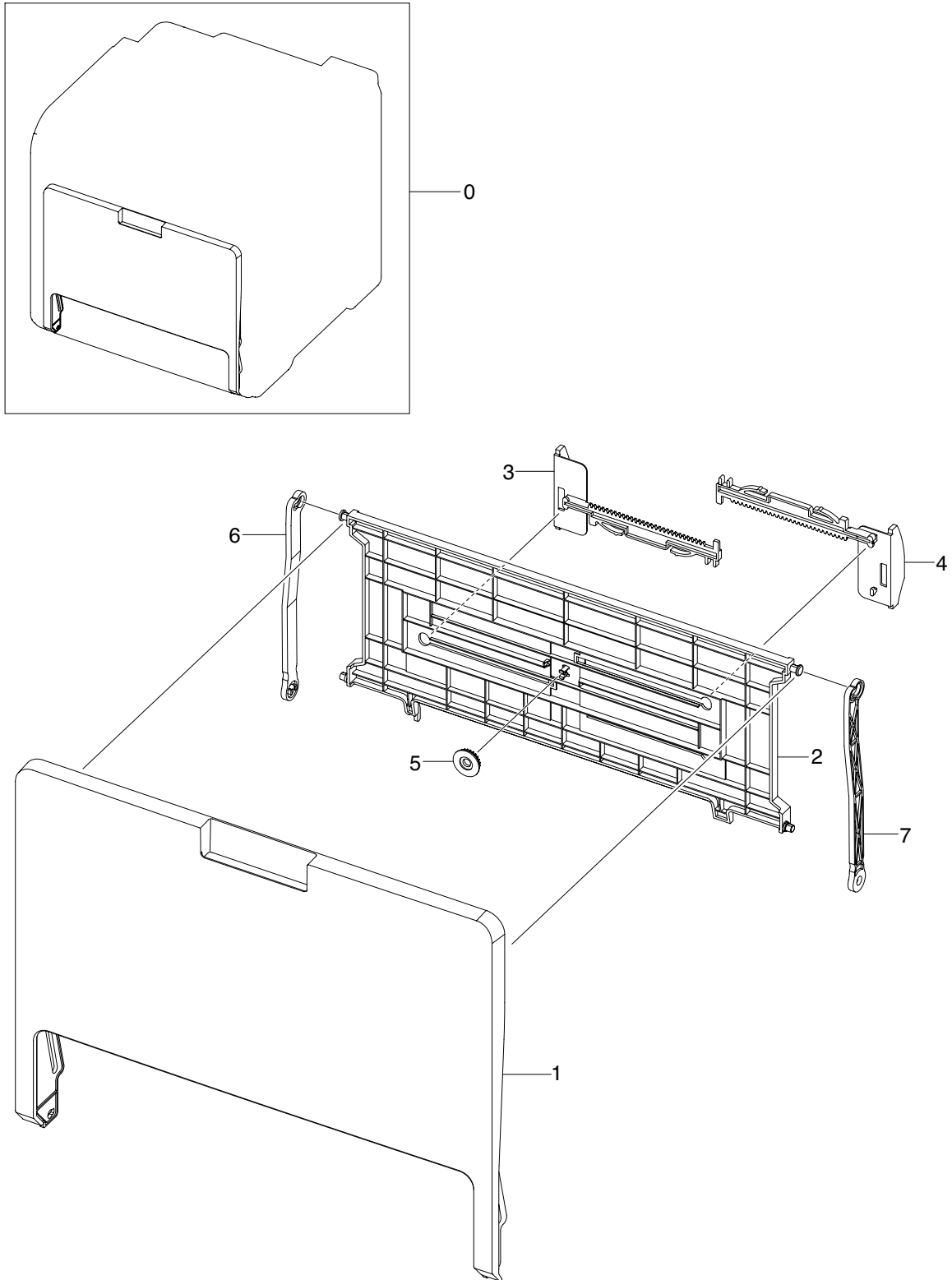


Exit Cover Parts List

SA : SERVICE AVAILABLE, SNA : SERVICE not AVAILABLE

Drawer#	SEC_Code	Description	QT'y	Service	Remark
5.6-0	JC97-02847A	MEA-COVER EXIT	1	SA	
5.6-1	JC63-01289A	COVER-EXIT	1	SA	
5.6-2	JC63-01299A	COVER-FUSER EXIT	1	SA	
5.6-3	6003-000196	SCREW-TAPTITE	2	SA	
5.6-4	JC75-00095A	MEC-BRUSH ANTISTATIC	1	SA	
5.6-5	JC63-01277A	GROUND-EXIT	1	SA	
5.6-6	6003-000282	SCREW-TAPTITE	1	SNA	

5.7 MP Tray

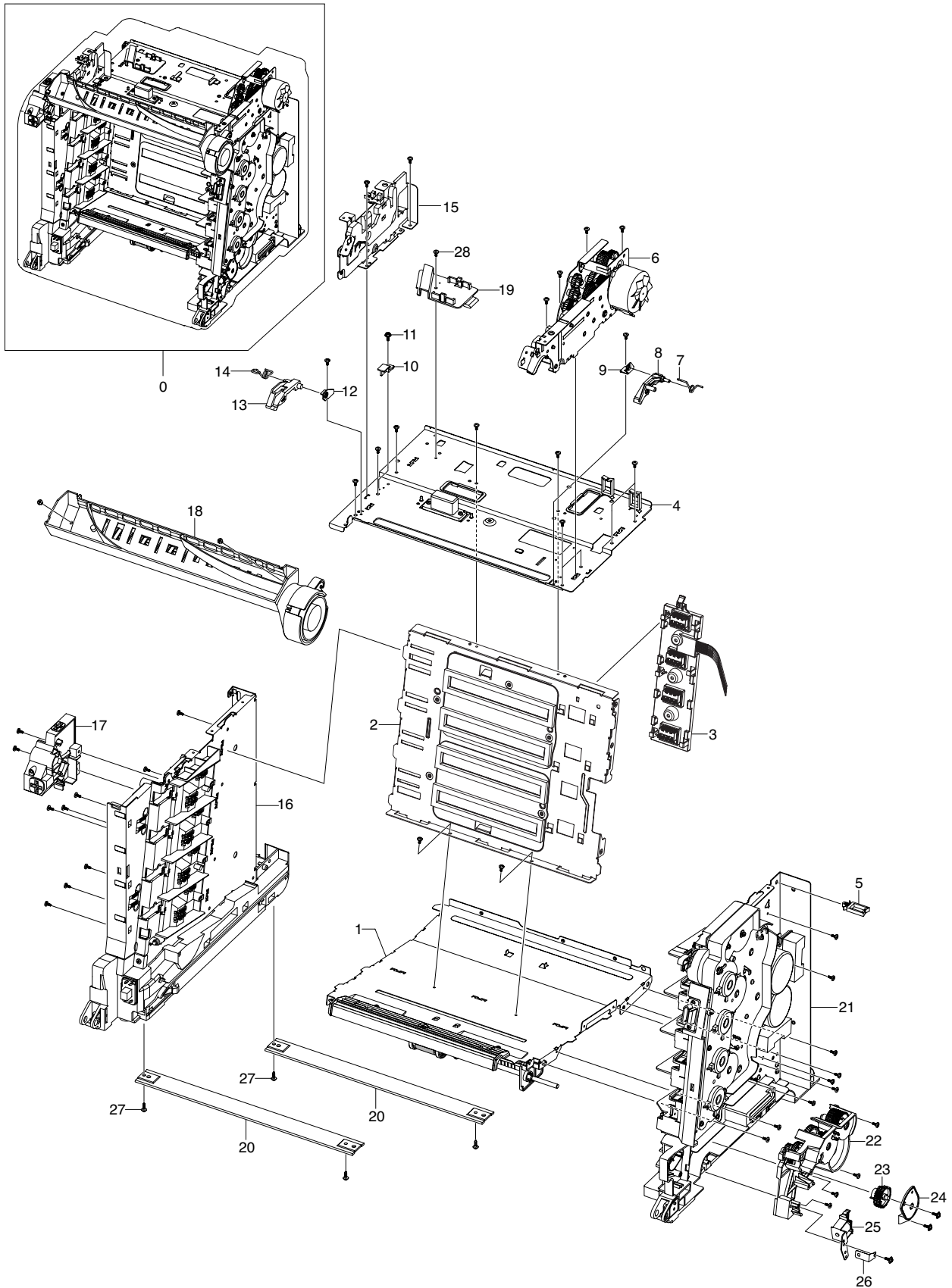


MP Tray Parts List

SA : SERVICE AVAILABLE, SNA : SERVICE not AVAILABLE

Drawer#	SEC_Code	Description	QT'y	Service	Remark
5.7-0	JC97-02894A	MEA-TRAY MP	1	SA	
5.7-1	JC63-01287A	COVER-MP_TRAY	1	SA	
5.7-2	JC63-01293A	TRAY-ASF_INPUT	1	SA	
5.7-3	JC66-01349A	LINK-TRAY_MP_L	1	SA	
5.7-4	JC66-01350A	LINK-TRAY_MP_R	1	SA	
5.7-5	JG66-40003A	GEAR-PINION	1	SA	
5.7-6	JC61-01043A	GUIDE-_M_SIDE MP L	1	SA	
5.7-7	JC61-01042A	GUIDE-_M_SIDE MP R	1	SA	

5.8 Frame

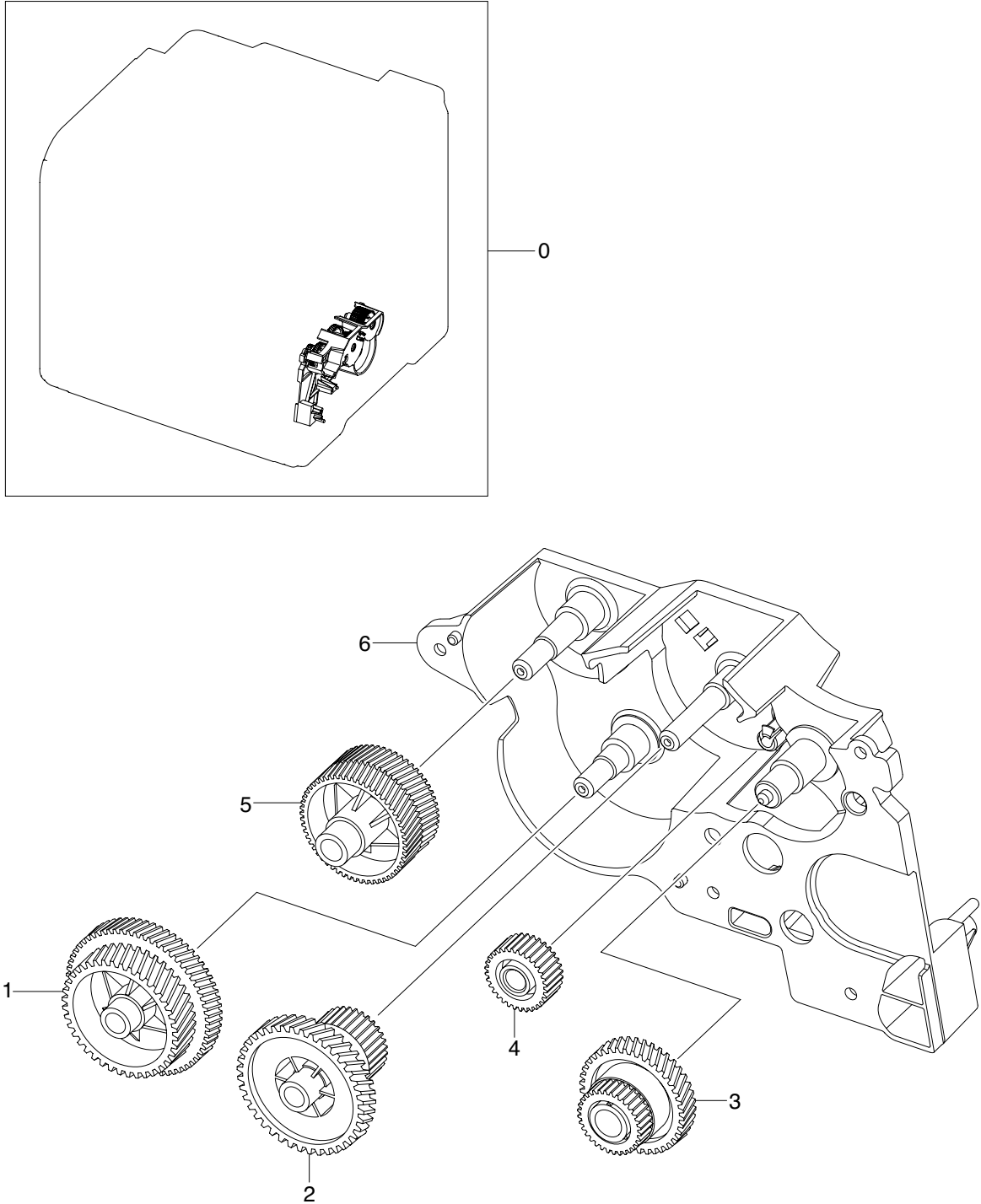


Frame Parts List

SA : SERVICE AVAILABLE, SNA : SERVICE not AVAILABLE

Drawer#	SEC_Code	Description	QT'y	Service	Remark
5.8-0	JC96-04490A	ELA UNIT-MAIN_FRAME	1	SA	CLP-660
5.8-0	JC96-04490B	ELA UNIT-MAIN_FRAME	1	SA	CLP-610
5.8-1	JC96-04480A	ELA UNIT-FRAME_BOTTOM	1	SA	
5.8-2	JC61-01927A	FRAME-LSU	1	SA	
5.8-3	JC96-04488A	ELA UNIT-DEVE_CRUM	1	SA	
5.8-4	JC96-04479A	ELA UNIT-FRAME_TOP	1	SA	
5.8-6	JC96-04501A	ELA UNIT-FUSER DRIVE	1	SA	
5.8-7	JC61-01879A	SPRING ETC-LOCK_PT_B_R	1	SA	
5.8-8	JC64-00303A	LOCKER-PTB_R	1	SA	
5.8-9	JC61-01869A	BRACKET-LOCKER_PT_B_R	1	SA	
5.8-10	JC66-01300A	LEVER-FUSER FRAME	1	SA	
5.8-11	6009-001492	SCREW-HEX;HWH,+,M3,L8,NI PLT,	1	SA	
5.8-12	JC61-01855A	BRACKET-LOCKER_PT_B_L	1	SA	
5.8-13	JC64-00304A	LOCKER-PTB_L	1	SA	
5.8-14	JC61-01899A	SPRING ETC-LOCK_PT_B_L	1	SA	
5.8-15	JC96-04481A	ELA UNIT-OPE_LEFT	1	SA	
5.8-16	JC96-04482A	ELA UNIT-FRAME_LEFT	1	SA	
5.8-17	JC97-02883A	MEA UNIT-COVER_OPEN	1	SA	
5.8-18	JC96-04487A	ELA UNIT-DUCT_FUSER	1	SA	
5.8-19	JC61-01890A	GUIDE-HARNESS_CABLE	1	SA	
5.8-20	JC71-00042A	BAR-P_CROSS BOTTOM	2	SA	
5.8-21	JC96-04485A	ELA UNIT-FRAME_RIGHT	1	SA	
5.8-22	JC97-02854A	MEA UNIT-FEED DRIVE	1	SA	
5.8-23	JC97-02895A	MEA-GEAR PICK UP	1	SA	
5.8-24	JC67-00215A	CAP-MAIN PICK-UP GEAR	1	SA	
5.8-25	JC33-00022A	SOLENOID-PICK_UP	1	SA	
5.8-26	JC61-01922A	PLATE-GND-SOLENOID	1	SA	
5.8-27	6003-000196	SCREW-TAPTITE;PWH,+,B,M3,L10,NI PLT,	7	SNA	
5.8-28	6003-000269	SCREW-TAPTITE;BH,+,S,M3,L6,ZPC(WHT),	49	SNA	
5.8-29	JC72-01379A	SPONGE-SEALING_LSU	4	SNA	

5.9 Feed Drive

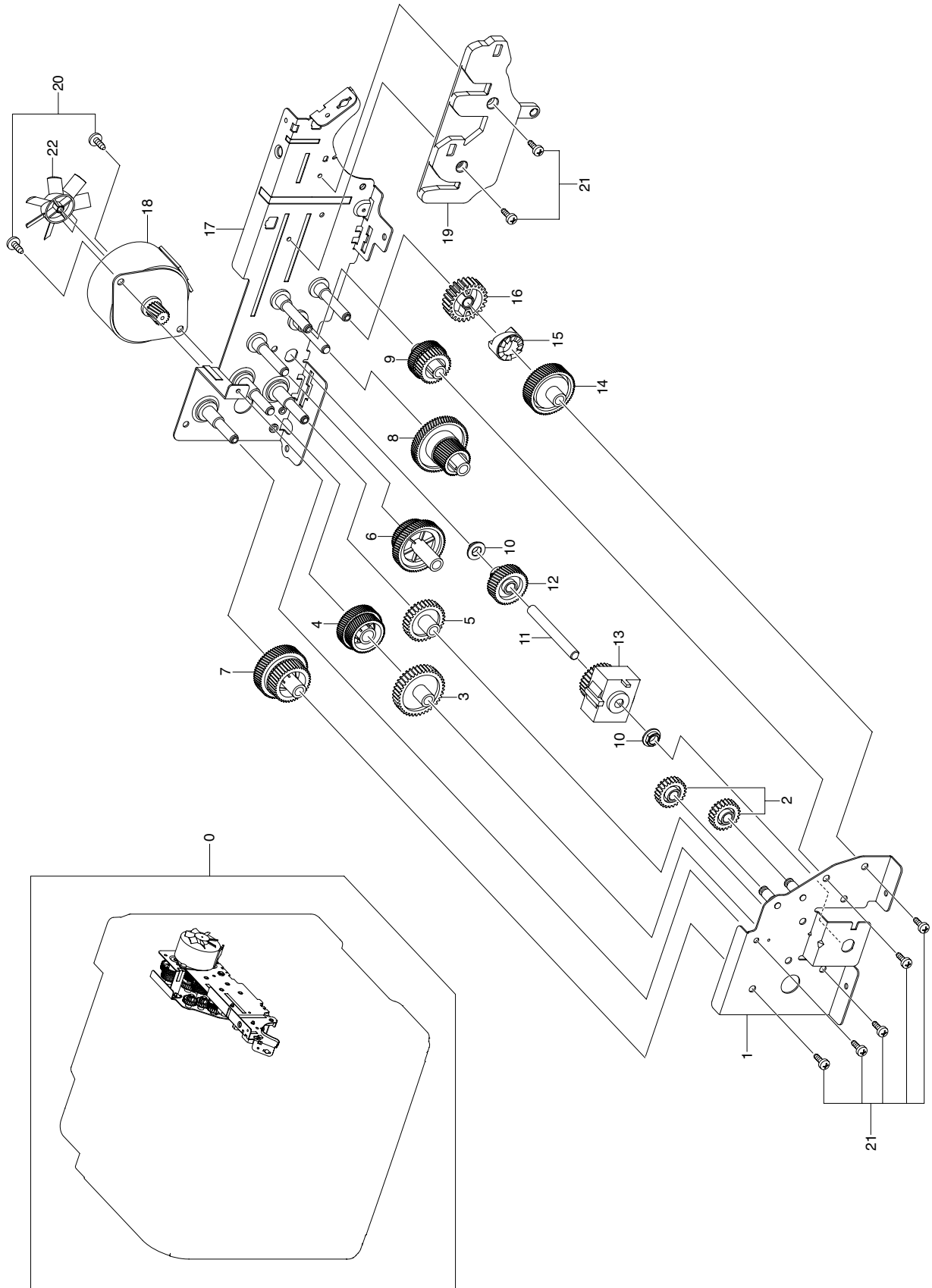


Feed Drive Parts List

SA : SERVICE AVAILABLE, SNA : SERVICE not AVAILABLE

Drawer#	SEC_Code	Description	QT'y	Service	Remark
5.9-0	JC97-02854A	MEA UNIT-FEED DRIVE	1	SA	
5.9-1	JC66-01385A	GEAR-RDCN FEED(79/39)	1	SA	
5.9-2	JC66-01383A	GEAR-RDCN FEED(43/23)	1	SA	
5.9-3	JC66-01382A	GEAR-RDCN FEED(35/22)	1	SA	
5.9-4	JC66-01363A	GEAR-DRV MAIN PICK-UP	1	SA	
5.9-5	JC66-01384A	GEAR-RDCN FEED(55/54)	1	SA	
5.9-6	JC61-01835A	BRACKET-FEED DRIVE	1	SA	

5.10 Fuser Drive

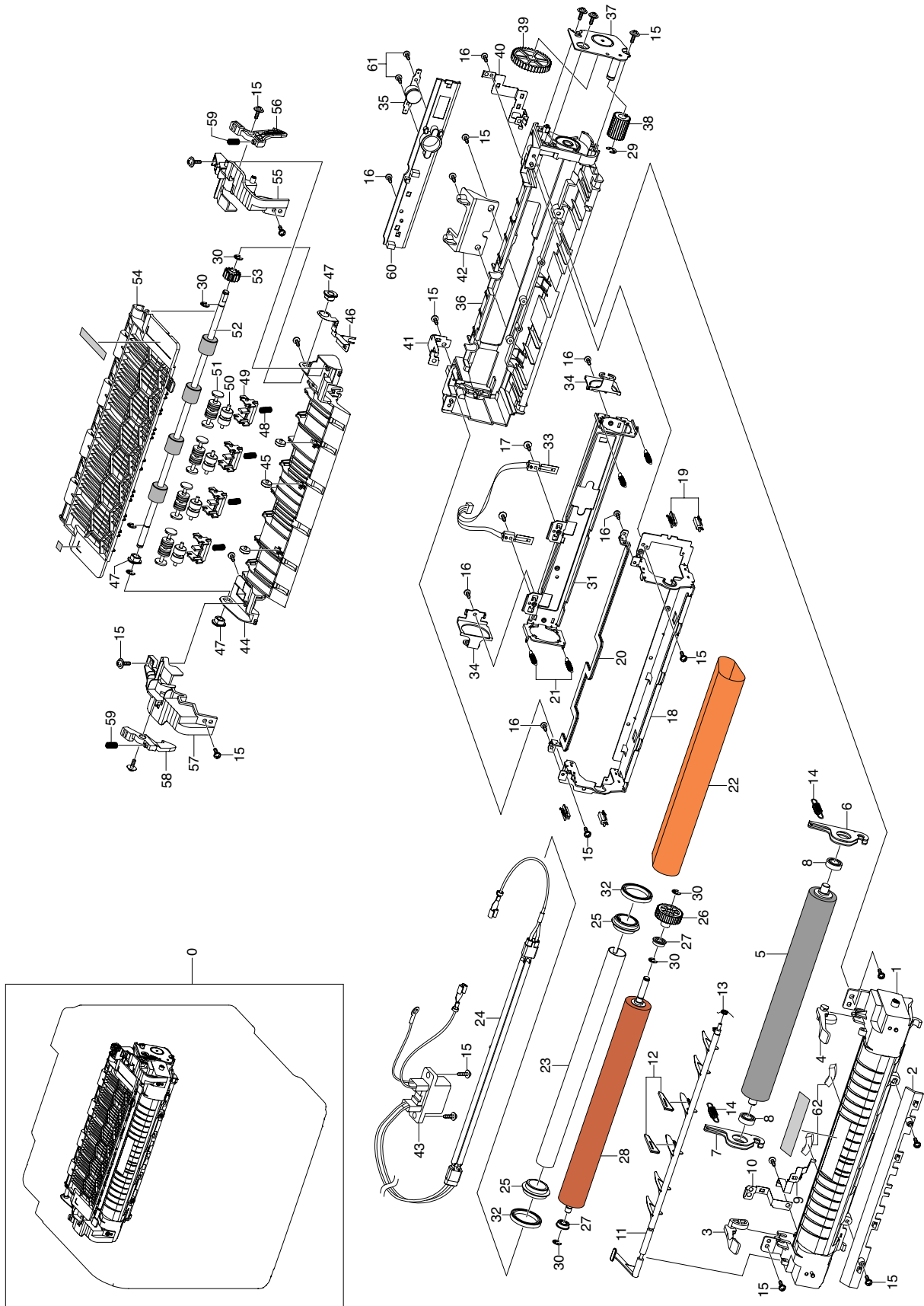


Fuser Drive Parts List

SA : SERVICE AVAILABLE, SNA : SERVICE not AVAILABLE

Drawer#	SEC_Code	Description	QT'y	Service	Remark
5.10-0	JC96-04501A	ELA UNIT-FUSER DRIVE	1	SA	
5.10-1	JC61-01859A	BRACKET-FUSER DRIVE L	1	SA	
5.10-2	JC66-01371A	GEAR-IDLE EXIT	2	SA	
5.10-3	JC66-01393A	GEAR-IDLE DEVE	1	SA	
5.10-4	JC66-01392A	GEAR-RDCN FU	1	SA	
5.10-5	JC66-01368A	GEAR-IDLE DEVE	1	SA	
5.10-6	JC66-01386A	GEAR- RDCN FU	1	SA	
5.10-7	JC66-01387A	GEAR-RDCN FU	1	SA	
5.10-8	JC66-01388A	GEAR-RDCN FU	1	SA	
5.10-9	JC66-01381A	GEAR-RDCN EXIT	1	SA	
5.10-10	JC61-00699A	BUSH-D6/L4	2	SA	
5.10-11	JC66-01341A	SHAFT-CLUTCH FU	1	SA	
5.10-12	JC66-01366A	GEAR-IDLE DEVE	1	SA	
5.10-13	JC47-00006D	CLUTCH-BK DEVE	1	SA	
5.10-14	JC66-01362A	GEAR-DRV FU	1	SA	
5.10-15	JC66-01070A	LATCH-M-HUB CLUTCH	1	SA	
5.10-16	JC66-01155A	GEAR-FUSER RDCN OUT V	1	SA	
5.10-17	JC61-01860A	BRACKET-FUSER DRIVE R	1	SA	
5.10-18	JC31-00076A	MOTOR STEP	1	SA	
5.10-19	JC61-01851A	GUIDE-FUSER R	1	SA	
5.10-20	6003-000301	SCREW-TAPTITE	2	SNA	
5.10-21	6003-000269	SCREW-TAPTITE	7	SNA	
5.10-22	JC72-00825A	PMO-IMPELLER_DRV	1	SA	

5.11 Fuser



Fuser Parts List

SA : SERVICE AVAILABLE, SNA : SERVICE not AVAILABLE

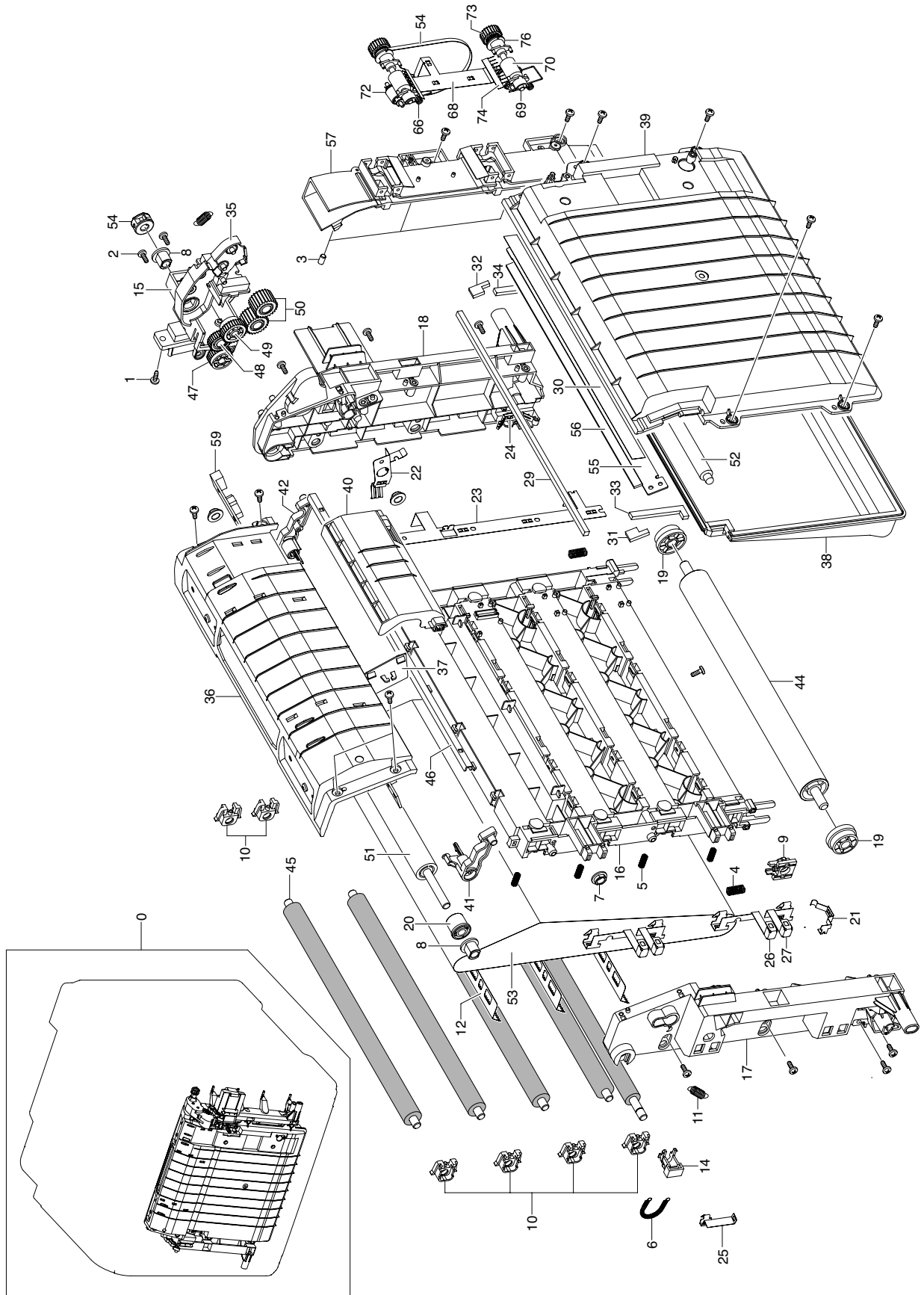
Drawer#	SEC_Code	Description	QT'y	Service	Remark
5.11-0	JC96-04495A	ELA UNIT-FUSER LV,CLP-660	1	SA	110V
5.11-0	JC96-04496A	ELA UNIT-FUSER HV,CLP-660	1	SA	220V
5.11-0	JC96-04544A	ELA UNIT-FUSER LV,CLP-610	1	SA	110V
5.11-0	JC96-04545A	ELA UNIT-FUSER HV,CLP-610	1	SA	220V
5.11-1	JC63-01312A	COVER-FUSER_LOWER	1	SNA	
5.11-2	JC61-01933A	GUIDE-INPUT	1	SNA	
5.11-3	JC66-01417A	LEVER-JAM_L	1	SNA	
5.11-4	JC66-01416A	LEVER-JAM_R	1	SNA	
5.11-5	JC66-01412A	ROLLER-PRESSURE	1	SA	
5.11-6	JC61-01917A	BRACKET-PR_R	1	SNA	
5.11-7	JC61-01916A	BRACKET-PR_L	1	SNA	
5.11-8	6601-001341	BEARING-BALL	2	SA	
5.11-9	JC63-01308A	GROUND-PR	1	SNA	
5.11-10	JC63-01335A	GROUND-PR_SUB	1	SNA	
5.11-11	JC66-01404A	ACTUATOR-FUSER	1	SA	
5.11-12	JC61-01938A	GUIDE-ACTUATOR	2	SNA	
5.11-13	JC61-70903A	SPRING ETC-ACTUATOR	1	SA	
5.11-14	6107-001323	SPRING-ES	2	SA	
5.11-15	6003-000196	SCREW-TAPTITE	23	SNA	
5.11-16	6003-000269	SCREW-TAPTITE	6	SA	
5.11-17	6009-001492	SCREW-HEX	2	SNA	
5.11-18	JC61-01915A	BRACKET-FUSER	1	SNA	
5.11-19	JC61-01931A	HOLDER-BRACKET	4	SNA	
5.11-20	JC61-01921A	SUPPORT-BRACKET	1	SNA	
5.11-21	6107-001324	SPRING-ES	4	SA	
5.11-22	JC66-01413A	DRUM-FUSER_BELT	1	SNA	
5.11-23	JC66-01411A	ROLLER-HEAT	1	SA	
5.11-24	4713-001221	LAMP-HALOGEN,CLP-660	1	SA	220V
5.11-24	4713-001222	LAMP-HALOGEN,CLP-660	1	SA	110V
5.11-24	4713-001229	LAMP-HALOGEN,CLP-610	1	SA	220V
5.11-24	4713-001228	LAMP-HALOGEN,CLP-610	1	SA	110V
5.11-25	JC61-01928A	BUSH-HR	2	SNA	
5.11-26	JC66-01405A	GEAR-FUSER	1	SA	
5.11-27	6601-001478	BEARING-BALL	2	SNA	
5.11-28	JC66-01410A	ROLLER-FUSER	1	SNA	
5.11-29	6044-000231	RING-E	1	SNA	
5.11-30	6044-000125	RING-E	7	SA	
5.11-31	JC61-01918A	BRACKET-HR	1	SNA	
5.11-32	6601-001479	BEARING-BALL	2	SNA	
5.11-33	1404-001355	THERMISTOR-NTC ASSY	1	SA	
5.11-34	JC61-01920A	HOLDER-LAMP	2	SNA	
5.11-35	4712-001039	THERMOSTAT	1	SA	
5.11-36	JC63-01311A	COVER-FUSER_UPPER	1	SNA	
5.11-37	JC61-01919A	BRACKET-FU_DRIVE	1	SA	

Fuser Parts List

SA : SERVICE AVAILABLE, SNA : SERVICE not AVAILABLE

Drawer#	SEC_Code	Description	QT'y	Service	Remark
5.11-38	JC66-01406A	GEAR-IDLE Z15	1	SA	
5.11-39	JC66-01407A	GEAR-IDLE Z39	1	SA	
5.11-40	JC63-01309A	GROUND-UPPER	1	SNA	
5.11-41	JC63-01307A	GROUND-LOWER	1	SNA	
5.11-42	JC61-01929A	HOLDER-CONNECTOR	1	SNA	
5.11-43	JC39-00667A	HARNESS-FUSER DRAW_F,CLP-661	1	SNA	220V
5.11-43	JC39-00668A	HARNESS-FUSER DRAW_F,CLP-661	1	SNA	110V
5.11-43	JC39-00768A	HARNESS-FUSER DRAW_F,CLP-611	1	SNA	220V
5.11-43	-	HARNESS-FUSER DRAW_F,CLP-611	1	SNA	110V
5.11-44	JC61-01934A	GUIDE-OUTPUT	1	SNA	
5.11-45	JC66-00608A	ROLLER-EXIT IDLE	3	SNA	
5.11-46	JC63-01310A	GROUND-EXIT	1	SNA	
5.11-47	JC61-00423A	BUSH-6_D	3	SA	
5.11-48	JC61-70911A	SPRING ETC-EXIT ROLL FD	4	SA	
5.11-49	JC61-00547A	HOLDER-EXIT(MC)	4	SNA	
5.11-50	JC66-01233A	ROLLER-FD R	4	SNA	
5.11-51	JC72-41007A	PMO-ROLLER FD F	4	SA	
5.11-52	JC66-01415A	ROLLER-EXIT	1	SA	
5.11-53	JC66-00782A	GEAR-_M_EXIT	1	SA	
5.11-54	JC61-01935A	GUIDE-DUPLEX	1	SA	
5.11-55	JC64-00311A	HANDLE-FUSER_R	1	SNA	
5.11-56	JC64-00309A	LOCKER-FUSER_R	1	SNA	
5.11-57	JC64-00312A	HANDLE-FUSER_L	1	SNA	
5.11-58	JC64-00310A	LOCKER-FUSER_L	1	SNA	
5.11-59	JC61-00550A	SPRING ETC-DEVE REAR	2	SA	
5.11-60	JC61-01930A	HOLDER-HARNESS	1	SNA	
5.11-61	6003-000282	SCREW-TAPTITE	2	SNA	
5.11-62	JC63-00903	FELT-CLEAN TONER	2	SA	

5.12 PTB Unit



PTB Unit Parts List

SA : SERVICE AVAILABLE, SNA : SERVICE not AVAILABLE

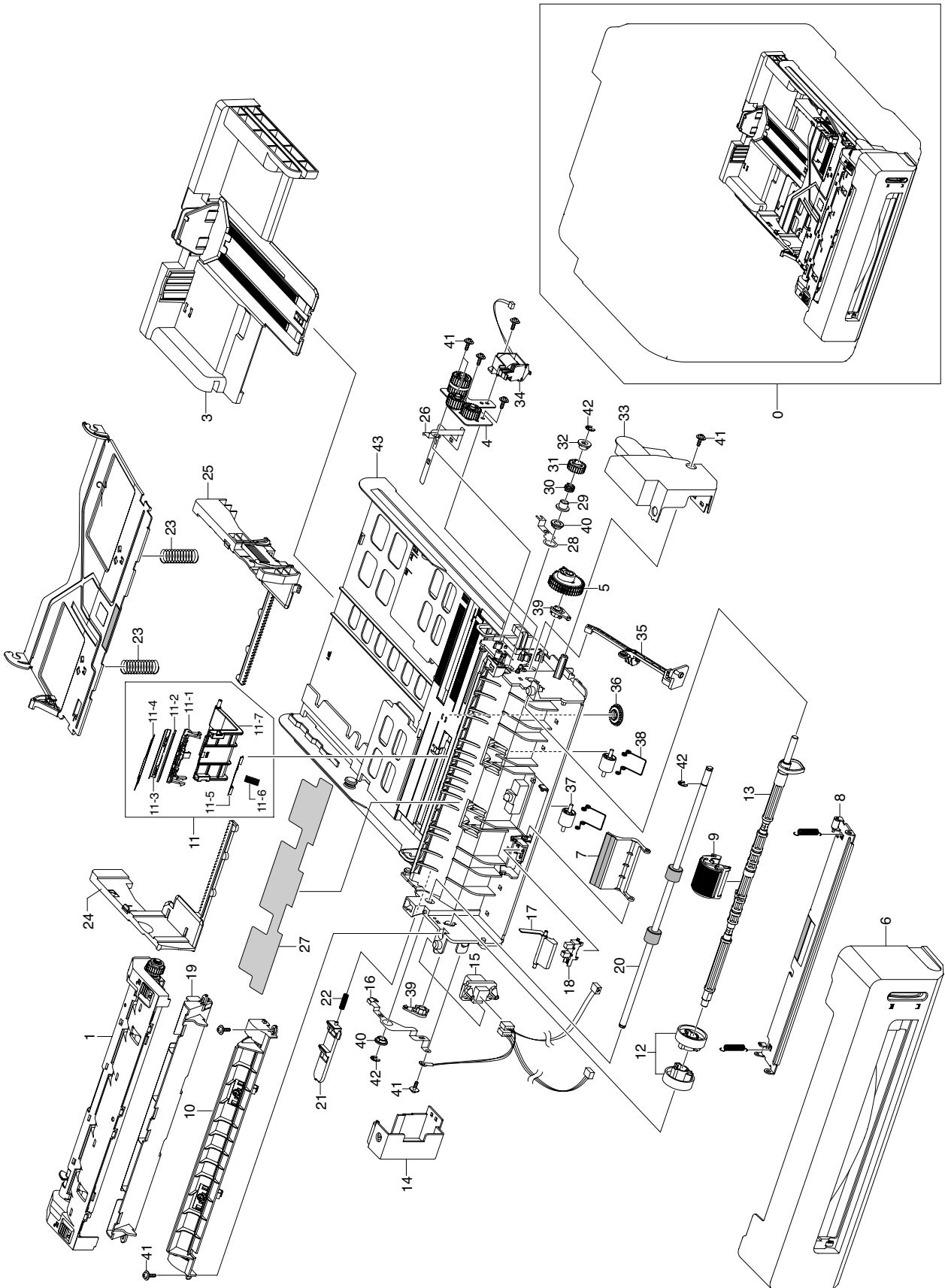
Drawer#	SEC_Code	Description	QT'y	Service	Remark
5.12-0	JC96-04406A	ELA UNIT-PTB SET_DUPLEX	1	SNA	
5.12-1	6003-000196	SCREW-TAPTITE	7	SNA	
5.12-2	6003-000282	SCREW-TAPTITE	19	SNA	
5.12-3	6043-001097	PIN-SPRING	2	SNA	
5.12-4	6107-001364	SPRING-CS	2	SNA	
5.12-5	6107-001365	SPRING-CS	8	SNA	
5.12-6	6107-001316	SPRING-ES	2	SNA	
5.12-7	JC61-00699A	BUSH-D6/L4	3	SNA	
5.12-8	JC61-00884A	BUSH-6_D(L)	2	SNA	
5.12-9	JC61-01092A	HOLDER-M-TENSION	2	SNA	
5.12-10	JC61-01093A	HOLDER-M-TRANSFER	8	SNA	
5.12-11	JC61-01678A	SPRING ETC-DEV_FRONT	2	SNA	
5.12-12	JC61-01754A	PLATE-SAW FUSER	3	SNA	
5.12-13	JC61-01820A	HOLDER-PAPER C,L	1	SNA	
5.12-14	JC61-01821A	HOLDER-PAPER C,R	1	SNA	
5.12-15	JC61-01822A	HOLDER-DRAW	1	SNA	
5.12-16	JC61-01823A	FRAME-PTB	1	SNA	
5.12-17	JC61-01824A	FRAME-DUMMY,L	1	SNA	
5.12-18	JC61-01825A	FRAME-DUMMY,R	1	SNA	
5.12-19	JC61-01826A	GUIDE-BELT	1	SNA	
5.12-20	JC61-01827A	GUIDE-DRIVE	2	SNA	
5.12-21	JC61-01828A	PLATE-DUMMY TENSION	1	SNA	
5.12-22	JC61-01829A	PLATE-GROUND BACKUP	1	SNA	
5.12-23	JC61-01830A	PLATE-GROUND PTB	1	SNA	
5.12-24	JC61-01831A	PLATE-GROUND TENSION	1	SNA	
5.12-25	JC61-01832A	PLATE-HV PCR	1	SNA	
5.12-26	JC61-01833A	PLATE-HV TR_M	2	SNA	
5.12-27	JC61-01834A	PLATE-HV TR_Y	2	SNA	
5.12-28	JC61-02179A	PLATE-GND RESISTANCE	1	SNA	
5.12-29	JC62-00163A	SEAL-WASTE BOTTOM	1	SNA	
5.12-30	JC62-00166A	SEAL-WASTE FILM	1	SNA	
5.12-31	JC62-00355A	SEAL-BLADE PTB,L	1	SNA	
5.12-32	JC62-00356A	SEAL-BLADE PTB,R	1	SNA	
5.12-33	JC62-00357A	SEAL-BRKT PTB,L	1	SNA	
5.12-34	JC62-00358A	SEAL-BRKT PTB,R	1	SNA	
5.12-35	JC63-01267A	COVER-DUPLEX GEAR	1	SNA	
5.12-36	JC63-01268A	COVER-UPPER PTB	1	SNA	
5.12-37	JC63-01269A	COVER-HANDLE INNER	1	SNA	
5.12-38	JC63-01270A	COVER-WASTE TONER,L	1	SNA	
5.12-39	JC63-01271A	COVER-WASTE TONER,U	1	SNA	
5.12-40	JC64-00296A	HANDLE-LOCKER PTB	1	SNA	
5.12-41	JC64-00297A	LOCKER-PTB,L	1	SNA	
5.12-42	JC64-00298A	LOCKER-PTB,R	1	SNA	
5.12-43	JC66-00918A	ROLLER-PAPER CHARGE	1	SNA	

PTB Unit Parts List

SA : SERVICE AVAILABLE, SNA : SERVICE not AVAILABLE

Drawer#	SEC_Code	Description	QT'y	Service	Remark
5.12-44	JC66-00920A	ROLLER-TENSION,PTB	1	SNA	
5.12-45	JC66-00922B	ROLLER-TRANSFER	4	SNA	
5.12-46	JC66-01089A	SHAFT-P-LOCKBAR REAR	1	SNA	
5.12-47	JC66-01322A	GEAR-DUP DRIVE Z34	1	SNA	
5.12-48	JC66-01323A	GEAR-DUP IDLE Z33	1	SNA	
5.12-49	JC66-01324A	GEAR-DUP RDCN Z2923	1	SNA	
5.12-50	JC66-01325A	GEAR-DUP IDLE Z21	2	SNA	
5.12-51	JC66-01331A	ROLLER-DRIVE PTB	1	SNA	
5.12-52	JC66-01332A	ROLLER-BACKUP CLEAN	1	SNA	
5.12-53	JC66-01333A	DRUM-PTB BELT	1	SNA	
5.12-54	JC67-00213A	COUPLER-PTB	1	SNA	
5.12-55	JC97-02247B	MEA UNIT-CLEANING PTB	1	SNA	
5.12-56	JC61-01109A	BRACKET-P-CLN,PTB	1	SNA	
5.12-57	JC61-01280B	BLADE-CLEANING PTB	1	SNA	
5.12-58	JC92-01868A	PBA SUB-PTB CRUM	1	SNA	
5.12-59	JC32-00006A	SENSOR-CTD	2	SNA	
5.12-60	JC39-00664A	HARNES-PTB DRAW_P	1	SNA	
5.12-61	JC39-00653A	HARNES-ACR_SENSOR	1	SNA	
5.12-62	2009-001197	R-METAL GLAZE	1	SNA	
5.12-63	JC97-02898A	MEA UNIT-DUPLEX	1	SNA	
5.12-64	6602-001084	BELT-TIMING GEAR	1	SNA	
5.12-65	JC61-00665A	BUSH-M-FEED, DUP	4	SNA	
5.12-66	JC61-01277A	SPRING ETC-DUP	2	SNA	
5.12-67	JC61-01839A	GUIDE-ALIGN-DUP	1	SNA	
5.12-68	JC63-01297A	GROUND-ALIGN_DUP	1	SNA	
5.12-69	JC66-00444A	SHAFT-IDLE ROLL, DUP	2	SNA	
5.12-70	JC66-00896A	ROLLER-M-IDLE_DUP	2	SNA	
5.12-71	JC66-00900A	PULLEY-M-18-DUMMY_DUP	2	SNA	
5.12-72	JC66-00901A	ROLLER-FEED_DUP	2	SNA	
5.12-73	JC66-01400A	GEAR	2	SNA	
5.12-74	JC67-00205A	BRUSH-DUPLEX	2	SNA	
5.12-75	JC70-00457A	ICT-STUD PAPER GUIDE, DP	3	SNA	
5.12-76	JK72-00058A	PCT-SILP WASHER	4	SNA	

5.13 Cassette



Cassette Parts List

SA : SERVICE AVAILABLE, SNA : SERVICE not AVAILABLE

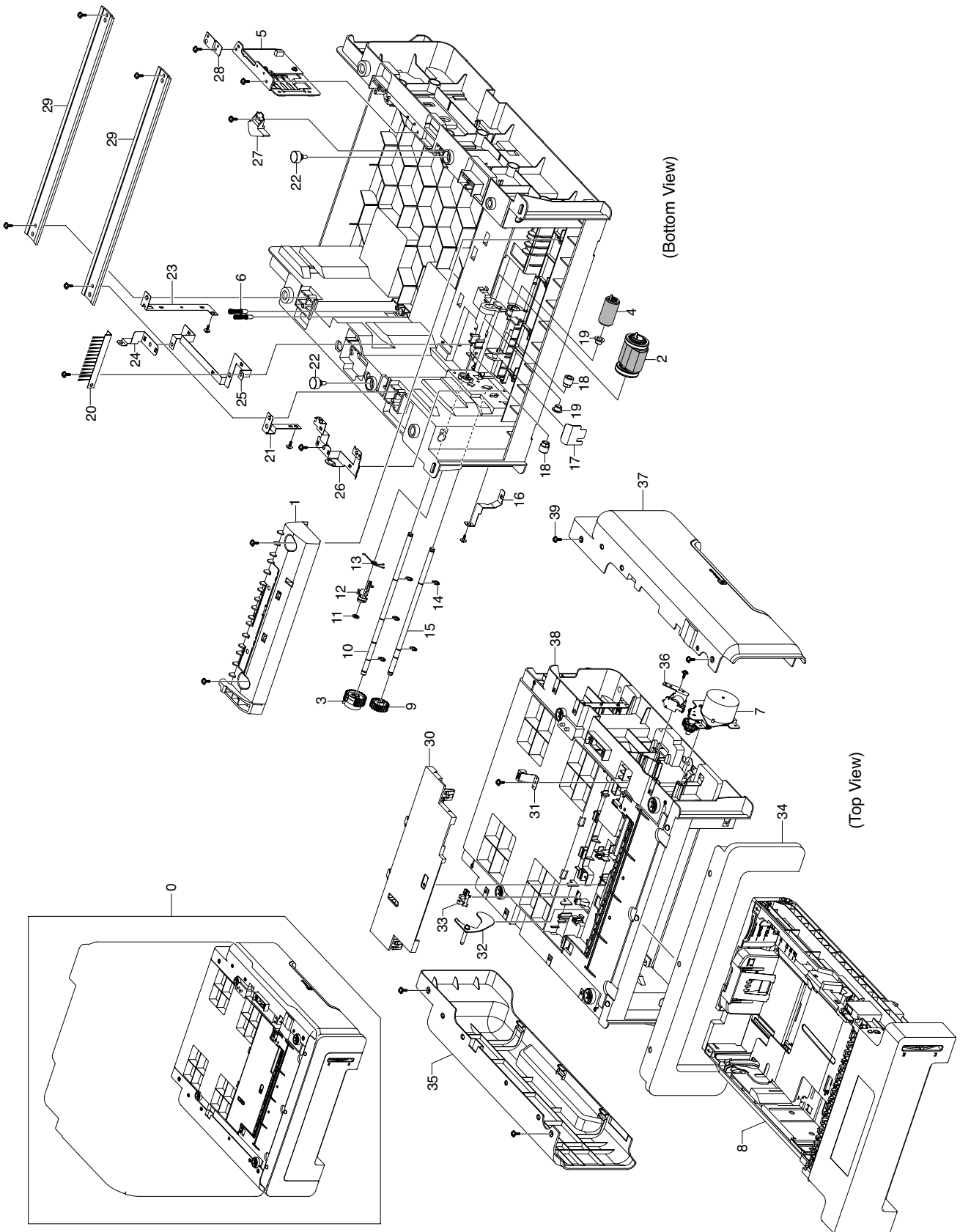
Drawer#	SEC_Code	Description	QT'y	Service	Remark
5.13-0	JC96-04498A	ELA HOU-UNIT_CASSETTE	1	SNA	
5.13-1	JC97-02897A	MEA UNIT-REGISTRATION	1	SA	
5.13-2	JC97-02888A	MEA-KNOCK_UP_PLATE	1	SNA	
5.13-3	JC97-02887A	MEA-GUIDE_EXETENSION	1	SNA	
5.13-4	JC97-02889A	MEA UNIT-GEAR_BASE	1	SNA	
5.13-5	JC97-02893A	MEA-GEAR PICKUP_MP	1	SNA	
5.13-6	JC97-02885A	MEA-COVER_CASSETTE	1	SNA	
5.13-7	JC97-02892A	MEA-HOLDER PAD_MP	1	SNA	
5.13-8	JC97-02891A	MEA-KNOCK_UP PLATE_MP	1	SNA	
5.13-9	JC96-02686B	ELA UNIT-ROLLER P/UP MP	1	SA	
5.13-10	JC97-02890A	MEA-GUIDE PAPER DUP	1	SNA	
5.13-11	JC97-03077A	MEA-HOLDER_PAD_SHEET	1	SA	
5.13-11-1	JC61-02159A	HOLDER-PAD	1	SNA	
5.13-11-2	JC73-00140A	RPR-FRICTION PAD	1	SNA	
5.13-11-3	JC61-02237A	PLATE-PAD	1	SNA	
5.13-11-4	JC63-01669A	SHEET PAD	1	SNA	
5.13-11-5	JC63-01205A	GROUND-PAD	1	SNA	
5.13-11-6	JC61-70911A	SPRING ETC-EXIT ROLL FD	1	SNA	
5.13-11-7	JC61-01978A	HOUSING-HOLDER PAD	1	SNA	
5.13-12	JC72-01003A	PMO-IDLE PICK UP MP	2	SA	
5.13-13	JC66-01348A	SHAFT-MP_PICK_UP	1	SNA	
5.13-14	JC63-01286A	COVER-DRAW_CONNECTOR	1	SNA	
5.13-15	JC39-00659A	HARNES-MP DRAWER_MP	1	SNA	
5.13-16	JC63-01282A	GROUND-REGI_BRKT	1	SNA	
5.13-17	JC66-01403A	ACTUATOR-FEED_EMPTY	1	SNA	
5.13-18	0604-001095	PHOTO-INTERRUPTER	1	SA	
5.13-19	JC61-01865A	GUIDE-PAPER_MPF	1	SNA	
5.13-20	JC66-01347A	ROLLER-FEED	1	SNA	
5.13-21	JC72-00972A	PMO-PLATE_LOCKER	1	SA	
5.13-22	JG61-70531A	SPRING ETC-LOCKER,PLATE	1	SA	
5.13-23	6107-001166	SPRING-CS	2	SA	
5.13-24	JC70-00300A	ADJUST-M-CASSETTE_L	1	SNA	
5.13-25	JC70-00301A	ADJUST-M-CASSETTE_R	1	SA	
5.13-26	JC61-01940A	PLATE-GND_KNOCKUP	1	SNA	
5.13-27	JC63-01291A	SHEET-MPF	1	SNA	
5.13-28	JC61-01923A	PLATE-GND-BRKT-GEAR	1	SNA	
5.13-29	JC61-01128A	HOLDER-_M_GEAR REGI	1	SA	
5.13-30	6107-001249	SPRING-CS	1	SNA	
5.13-31	JC66-00774A	GEAR-M-REGI	1	SA	
5.13-32	JC61-01127A	HOLDER-_M_CLUTCH GEAR	1	SA	
5.13-33	JC63-01285A	COVER-GEAR_BOX	1	SNA	
5.13-34	JC33-00022A	SOLENOID-PICK_UP	1	SNA	
5.13-35	JC66-01355A	LEVER-LINK_INDICATOR	1	SNA	
5.13-36	JG66-40003A	GEAR-PINION	1	SA	

Cassette Parts List

SA : SERVICE AVAILABLE, SNA : SERVICE not AVAILABLE

Drawer#	SEC_Code	Description	QT'y	Service	Remark
5.13-37	JC66-00764A	ROLLER-IDLE FEED	2	SA	
5.13-38	JC61-01274A	SPRING ETC-ROLLER	2	SA	
5.13-39	JC72-41191B	PMO-BEARING SHAFT	2	SA	
5.13-40	JC61-00699A	BUSH-D6/L4	2	SA	
5.13-41	6003-000196	SCREW-TAPTITE	10	SNA	
5.13-42	6044-000125	RING-E	3	SA	
5.13-43	JC61-01856A	FRAME-CASSETTE	1	SA	

5.14 SCF Unit

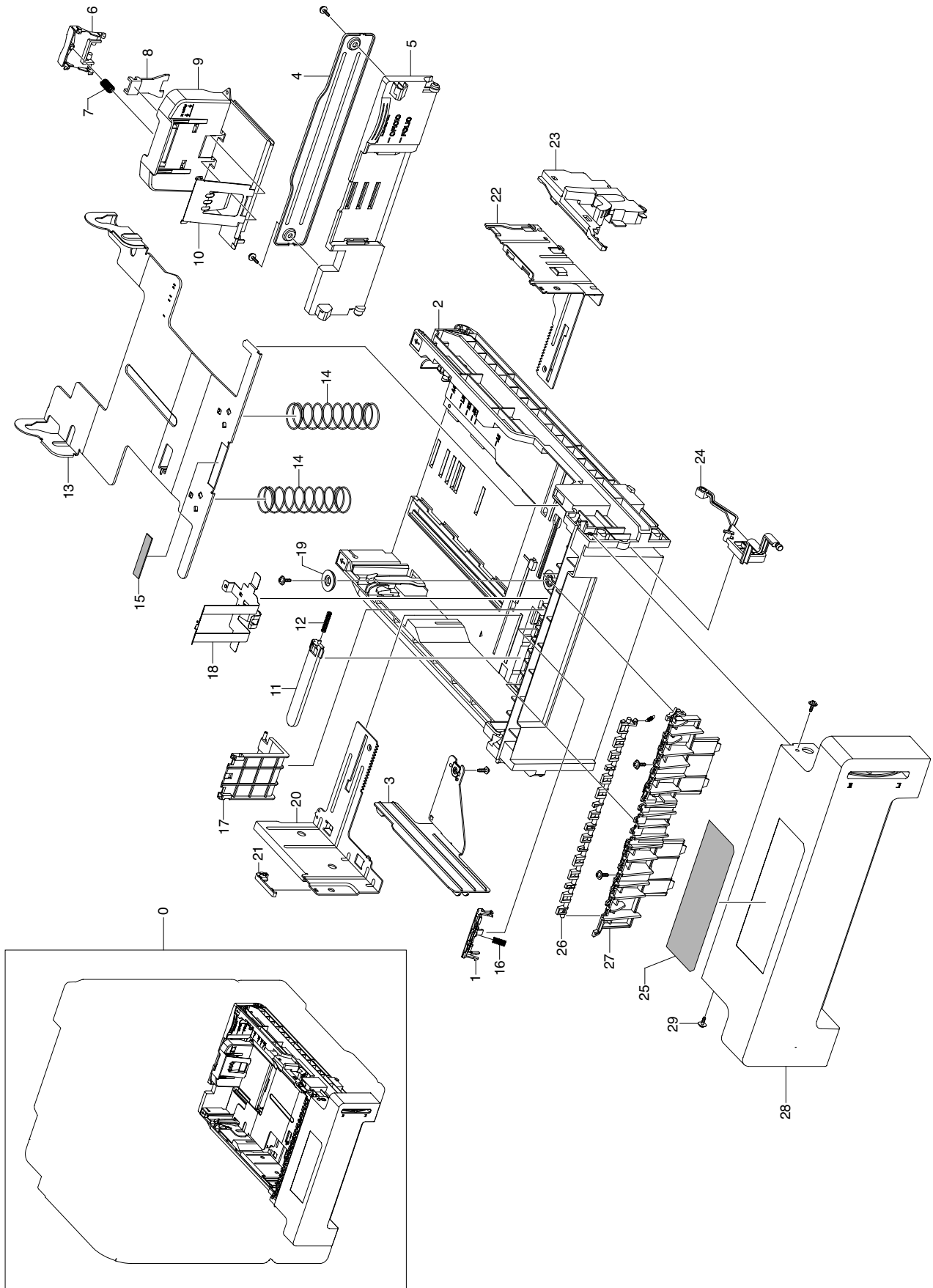


SCF Unit Parts List

SA : SERVICE AVAILABLE, SNA : SERVICE not AVAILABLE

Drawer#	SEC_Code	Description	QT'y	Service	Remark
5.14-0	JC96-04502A	ELA HOU-UNIT_SCF			
5.14-1	JC96-04019A	ELA UNIT-IDLE_SCF	1	SA	
5.14-2	JC97-02233A	MEA UNIT-P/UP_HOUSING	1	SA	
5.14-3	JC97-02691A	MEA UNIT-GEAR_PICK_UP	1	SA	
5.14-4	JC81-03458A	AS-UNIT_FEED1	1	SA	
5.14-5	JC96-02127A	ELA HOU-CST SENSOR HAWK16	1	SA	
5.14-6	JC97-01401A	MEA UNIT-TERMINAL.TR	4	SA	
5.14-7	JC96-03956A	ELA UNIT-MOTOR SCF	1	SA	
5.14-8	JC96-04503A	ELA HOU-UNIT_CASSETTE	1	SNA	
5.14-9	JC66-01262A	GEAR-FEED	1	SNA	
5.14-10	JC66-01277A	SHAFT-PICK_UP_SCF	1	SA	
5.14-11	6044-000001	RING-CS	1	SNA	
5.14-12	JC61-01743A	HOLDER-PICK_UP_SCF	1	SNA	
5.14-13	6107-001170	SPRING-TS	1	SA	
5.14-14	6044-000125	RING-E	5	SA	
5.14-15	JC66-01276A	SHAFT-FEED_SCF	1	SA	
5.14-16	JC63-01137A	GROUND-P_MOTOR_SCF	1	SNA	
5.14-17	JC63-01163A	SHEET-GUIDE_PATH	1	SA	
5.14-18	JC61-01579A	HOLDER-P-REGI	2	SNA	
5.14-19	JC66-10202A	BEARING-PICK UP	2	SA	
5.14-20	JC67-00204A	BRUSH-PICK	1	SA	
5.14-21	JC63-01136A	GROUND-P_FRONT_BOTTOM	1	SNA	
5.14-22	JC61-40001A	FOOT-ML80	2	SA	
5.14-23	JC63-01140A	GROUND-P_REAR_BOTTOM	1	SNA	
5.14-24	JC61-01904A	PLATE-GND_REAR_TOP	1	SNA	
5.14-25	JC61-01903A	PLATE-GND_FRAME_SCF	1	SNA	
5.14-26	JC63-01141A	GROUND-P_SHAFT	1	SNA	
5.14-27	JC72-01355A	PMO-REMOVE_LOCK_CST	1	SA	
5.14-28	JC63-00675A	GROUND-P-PAPER_SIZE	1	SNA	
5.14-29	JC71-00042A	BAR-P_CROSS BOTTOM	2	SA	
5.14-30	JC63-00686A	COVER-M-DUMMY_SCF	1	SNA	
5.14-31	JC70-11028A	IPR-GROUND TOP	1	SNA	
5.14-32	JC72-00992A	PMO-ACTUATOR EMPTY,SCF	1	SA	
5.14-33	0604-001095	PHOTO-INTERRUPTER	1	SA	
5.14-34	JC63-01305A	COVER-FRONT_SCF	1	SNA	
5.14-35	JC63-01303A	COVER-LEFT_SCF	1	SNA	
5.14-36	JC33-00012A	SOLENOID-MAIN	1	SA	
5.14-37	JC63-01304A	COVER-RIGHT_SCF	1	SNA	
5.14-38	JC61-01902A	FRAME-SCF	1	SNA	
5.14-39	6003-000196	SCREW-TAPTITE	24	SNA	

5.15 SCF Cassette



SCF Cassette Parts List

SA : SERVICE AVAILABLE, SNA : SERVICE not AVAILABLE

Drawer#	SEC_Code	Description	QT'y	Service	Remark
5.15-0	JC96-04503A	ELA HOU-UNIT-CASSETTE	1	SA	
5.15-1	JC97-02844A	MEA-UNIT HOLDER PAD	1	SA	
5.15-2	JC61-01220C	FRAME-M_CASSETTE	1	SA	
5.15-3	JC61-01227A	GUIDE-M-PAPER SIZE	1	SA	
5.15-4	JC61-01223A	FRACKET-P-EXTENTION	1	SA	
5.15-5	JC61-01224C	GUIDE-M_EXTENSION CST	1	SA	
5.15-6	JC64-00190B	KNOB-M_REAR	1	SA	
5.15-7	JC61-00414A	SPRING ETC-GUIDE PAPER	2	SA	
5.15-8	JC61-00267B	GUIDE-M-LOCK A	1	SA	
5.15-9	JC61-01226B	GUIDEM_REAR	1	SA	
5.15-10	JC61-00751A	GUIDE-P-REAR PAPER CST	1	SA	
5.15-11	JC72-41210A	PMO-LOCKER PLATE	1	SA	
5.15-12	JC61-70531A	SPRING ETC-LOCKER_PLATE	1	SA	
5.15-13	JC61-01245A	PLATE-P-KNOCK UP	1	SA	
5.15-14	JC61-00455A	SPRING ETC-PLATE K/UP	1	SA	
5.15-15	JC73-00141A	RPR-PAD CASSETTE	1	SA	
5.15-16	JC61-70911A	SPRING ETC-EXIT ROLL FD	1	SA	
5.15-17	JC61-01228A	HOLDER-M-PAD_HOUSING	1	SA	
5.15-18	JC63-01206A	GROUND-CASSETTE	1	SA	
5.15-19	JC66-40003A	GEAR-PINION	1	SA	
5.15-20	JC67-01222A	GUIDE-P-SIDE_L	1	SA	
5.15-21	JC67-00037A	CAP-M-GUIDE SIDE_L	1	SA	
5.15-22	JC61-01244A	GUIDE-P-SIDE_R	1	SA	
5.15-23	JC61-01225B	GUIDE-M_SIDE LOCK	1	SA	
5.15-24	JC66-01409A	LEVER-INDICATOR_SCF	1	SA	
5.15-25	JC68-01552A	LABEL-CASSETTE	1	SNA	
5.15-26	JC64-00268A	SHUTTER-PATH	1	SA	
5.15-27	JC61-01724A	GUIDE-PAPER	1	SA	
5.15-28	JC63-01306A	COVER_HANDLE	1	SA	
5.15-29	6002-000440	SCREW-TAPPING	8	SA	