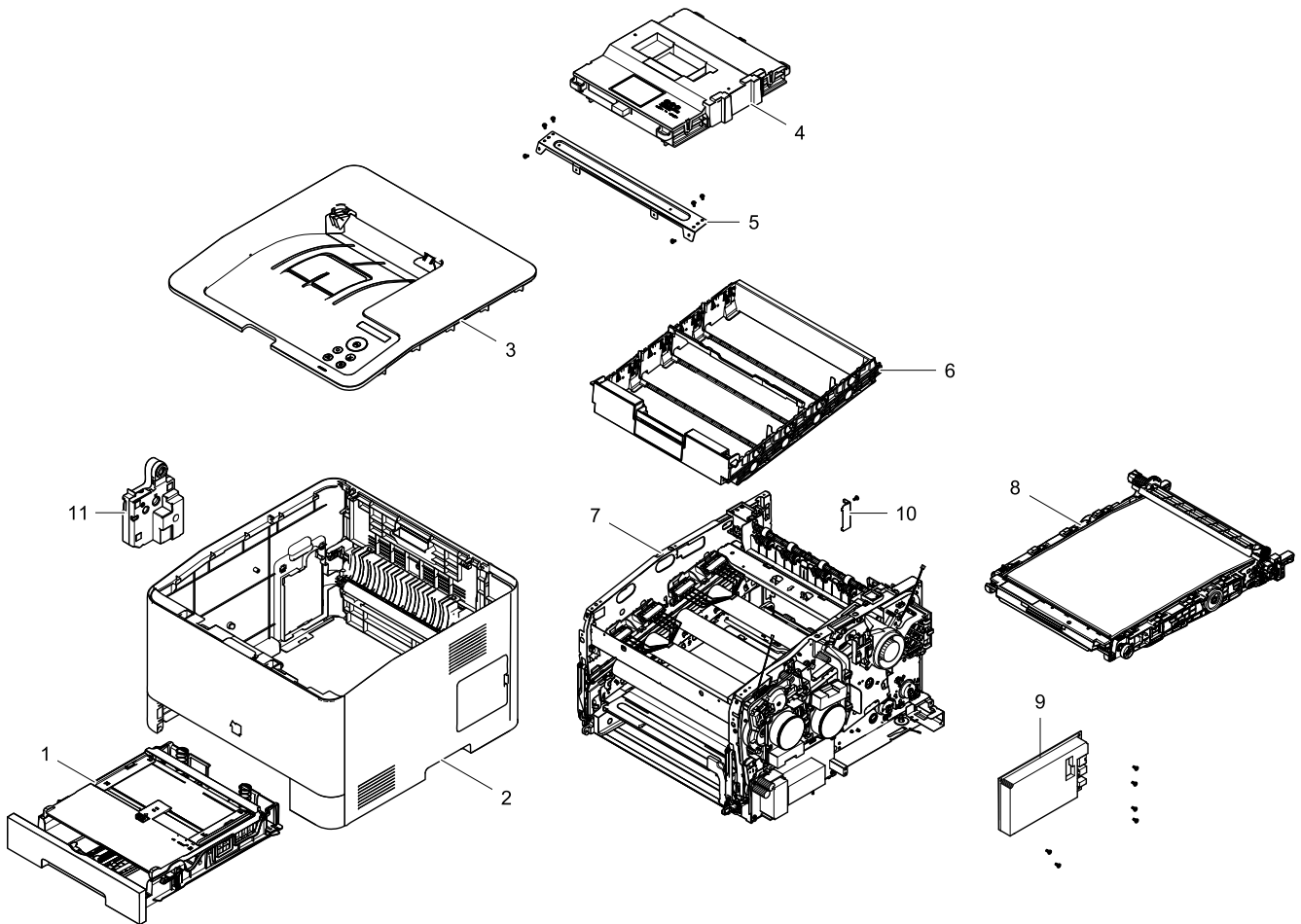


1. MAIN

Exploded View

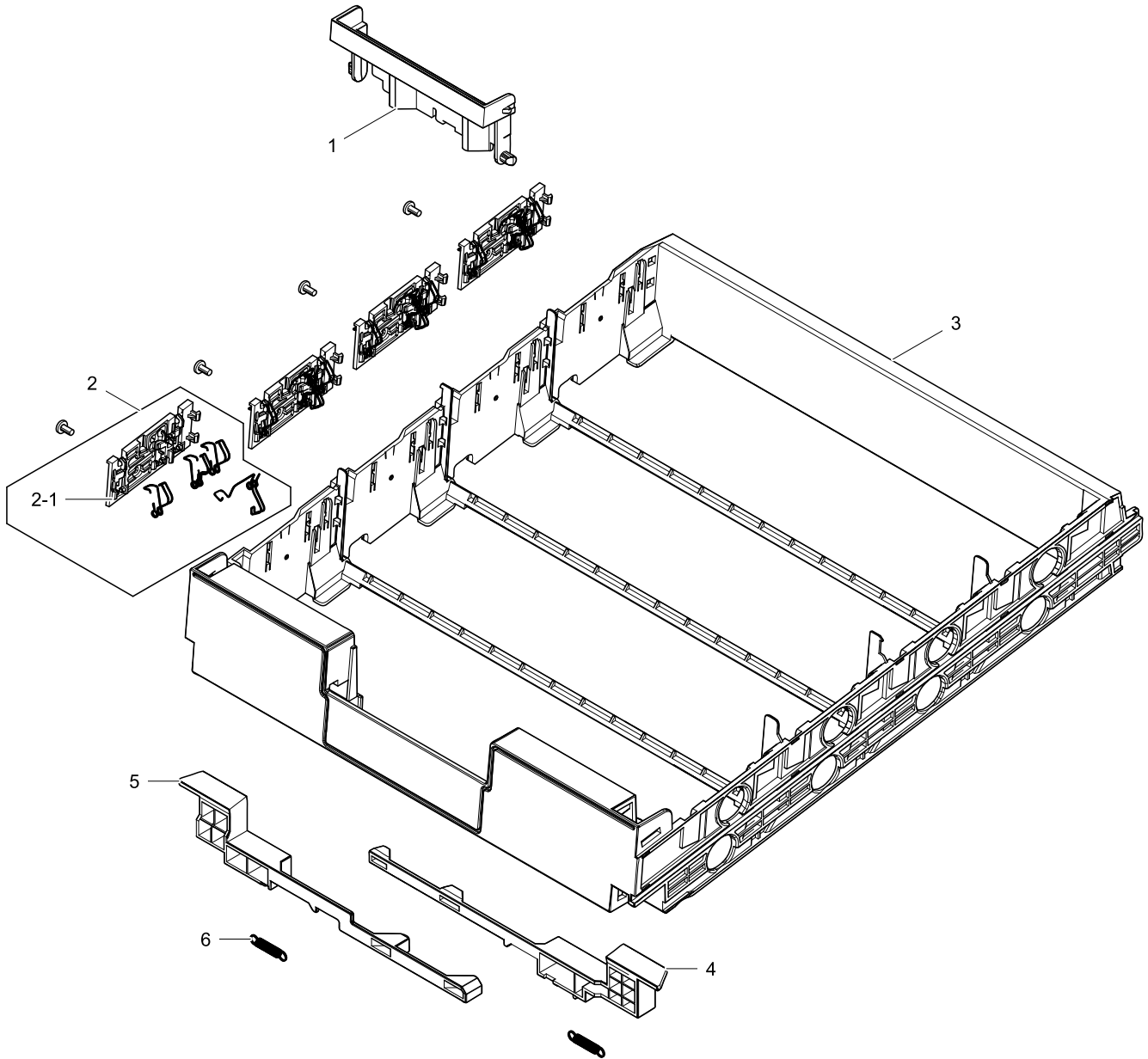


Parts List

No.	Lvl.	Loc.	Material Code	Description & Specification	SNA	Qty.
1	1		JC90-01177A	CASSETTE; CLP-470N,XAA	SA	1
2	1		JC95-01648A	COVER; CLP-470N,SEC	SNA	1
3	1		JC95-01779A	COVER-TOP; CLP-415,SEC,Spanish	SA	1
4	1		JC97-04079A	LSU; CLP-470,SEC,TANDEM,A4(Ltr),600,S3,78	SA	1
5	2		JC61-05429A	BRACKET-FRONT-TOP; CLP-470NW,EGI-SECC,1.0	SNA	1
6	2		JC93-00661A	FRAME-DRAWER; CLP-470N,XAA	SA	1
7	1		JC93-00663B	FRAME; CLP-415N,SEE	SNA	1
8	1		JC96-06514A	CARTRIDGE-TRANSFER; CLP-680ND,SEC	SA	1
9	2		JC92-02527B	PBA-MAIN; CLP-470N,SEC,MAIN,FR4,4L,109.25	SA	1
10	2		JC61-05428A	BRACKET-FRAME_LEFT2; CLP-470NW,EGI-SECC,0	SNA	1
11	1		JC96-06389A	CARTRIDGE-WTB; CLP-470N	SA	1

1.1. FRAME-DRAWER

Exploded View



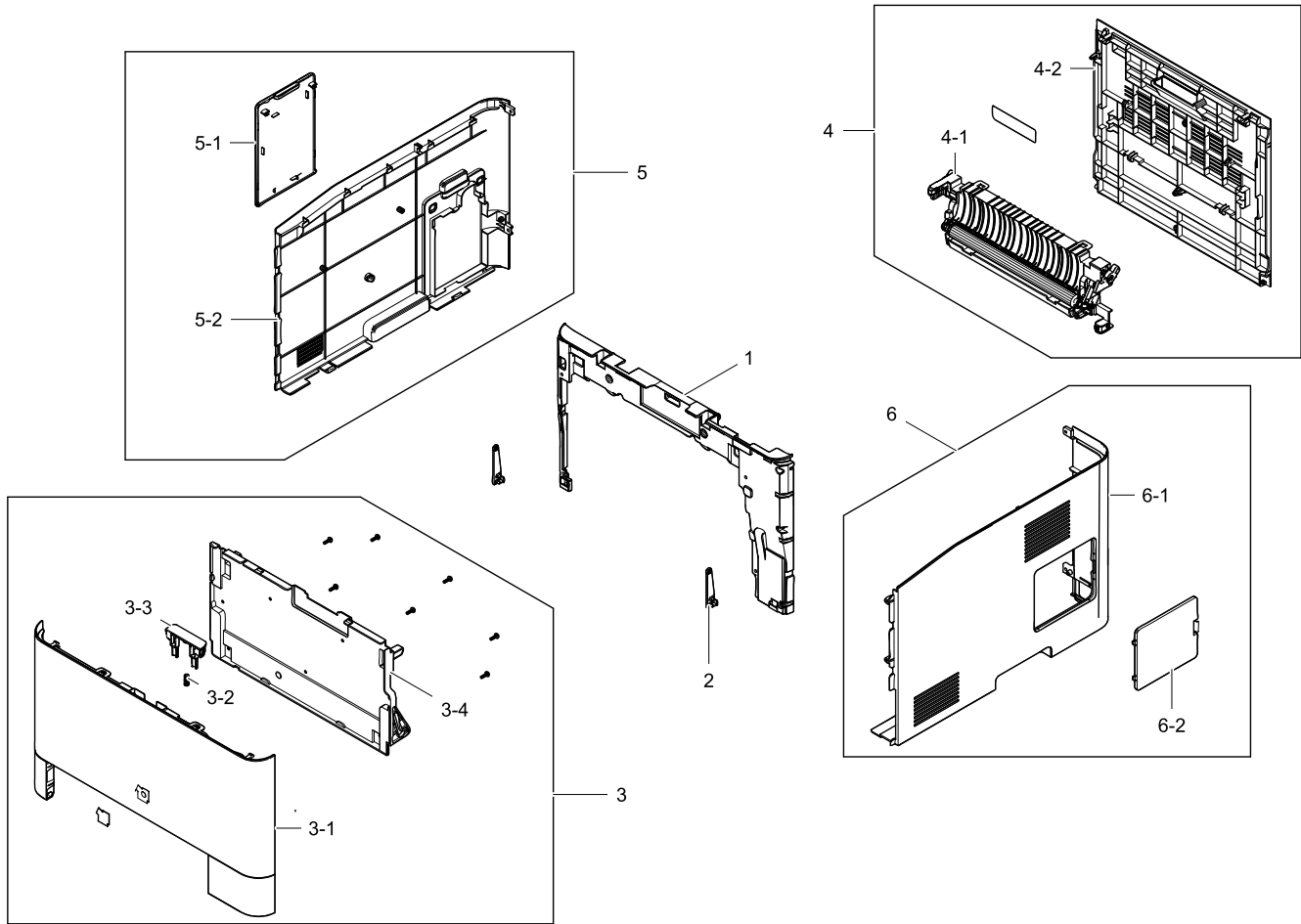
Parts List

No.	Lvl.	Loc.	Material Code	Description & Specification	SNA	Qty.
1	3		JC64-00798A	HANDLE-DRAWER; CLP-470NW,ABS,2.0T,HF-0660	SNA	1
2	3		JC93-00709A	FRAME-HV DRAW; CLP-470N,XAA	SNA	4
2-1	4		JC61-05453A	HOLDER SPRING-HV DRAW; CLP-470N,ABS,200	SNA	4
3	3		JC61-05599A	GUIDE-CARTRIDGE; CLP-470NW,ABS+GF,2.0,200	SNA	1
4	3		JC64-00801A	LOCKER-DRAWER RIGHT; CLP-470N,POM,BLACK,1	SNA	1

No.	Lvl.	Loc.	Material Code	Description & Specification	SNA	Qty.
5	3		JC64-00800A	LOCKER-DRAWER LEFT; CLP-470N,POM,BLACK,15	SNA	1
6	3	L7484	6107-001519	SPRING-ES; STS304WPB,PI0.4,L22.8,ID4.3,OD	SNA	2

2. COVER

Exploded View



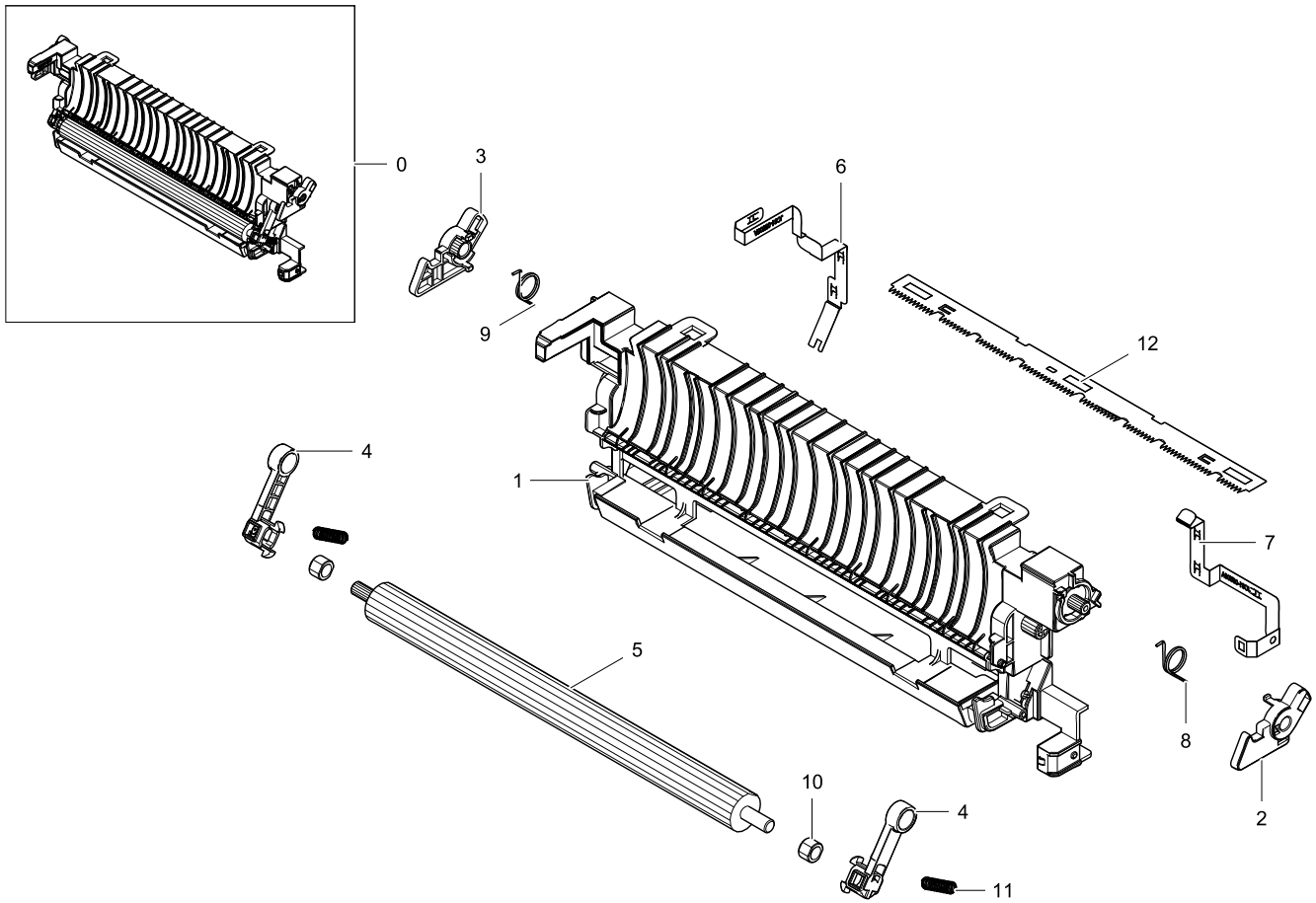
Parts List

No.	Lvl.	Loc.	Material Code	Description & Specification	SNA	Qty.
1	2		JC63-03791A	COVER-FRONT INNER; CLP-470N,HIPS,413.8,23	SNA	1
2	2		JC66-03619A	LINK-CAP; CLP-415N,HIPS,59.5mm,2.5mm,BLAC	SNA	2
3	2		JC95-01652A	COVER-FRONT; CLP-415N,SEC	SA	1
3-1	3		JC63-03709A	COVER-FRONT; CLP-415N,HIPS,209,377	SNA	1
3-2	3	G1550	6107-001404	SPRING-CS; SWPB,WHT,PI0.6,D6.3,L15.3,ID5.	SNA	1
3-3	3		JC64-00825A	BUTTON-FRONT; CLP-470N,ABS,62,BLACK	SNA	1
3-4	3		JC63-03727A	COVER-FRONT DUMMY; CLP-415N,HIPS,90,327	SNA	1
4	2		JC95-01655A	COVER-REAR; CLP-470N,SEC	SA	1
4-1	3		JC95-01637A	COVER-REAR TRANSFER; CLP-470N	SNA	1
4-2	3		JC63-03725A	COVER-REAR; CLP-470N,HIPS,250,311,SEG2	SNA	1
5	2		JC95-01658A	COVER-LEFT; CLP-470N,SEC	SA	1

No.	Lvl.	Loc.	Material Code	Description & Specification	SNA	Qty.
5-1	3		JC63-03726A	COVER-WTB; CLP-470N,HIPS,145,102,SEG2	SNA	1
5-2	3		JC63-03712A	COVER-LEFT; CLP-470N,HIPS,226,414	SNA	1
6	2		JC95-01662A	COVER-RIGHT; CLP-470N,SEC	SA	1
6-1	3		JC63-03710A	COVER-RIGHT; CLP-470N,HIPS,255,425	SNA	1
6-2	3		JC63-03711A	COVER-RIGHT DIMM; CLP-470N,HIPS,94,109	SNA	1

2.1. COVER-REAR TRANSFER

Exploded View



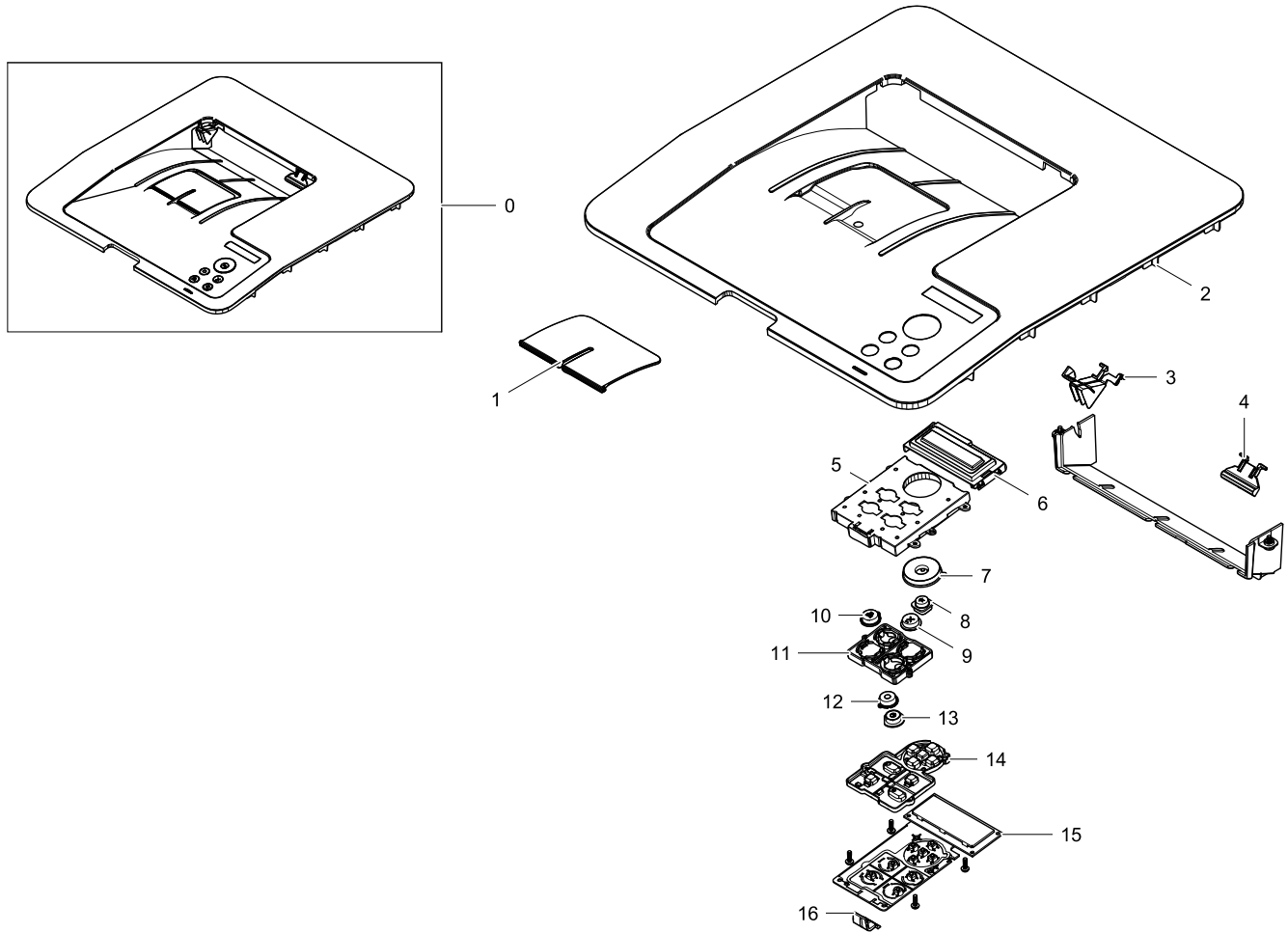
Parts List

No.	Lvl.	Loc.	Material Code	Description & Specification	SNA	Qty.
0	3		JC95-01637A	COVER-REAR TRANSFER; CLP-470N	SNA	1
1	4		JC61-05504A	FRAME-TRANSFER; CLP-415N,ABS,BLACK,265.7,	SNA	1
2	4		JC64-00803A	LOCKER-TRANSFER R; CLP-680ND,POM,WHITE,42	SNA	1
3	4		JC64-00802A	LOCKER-T2 L; CLP-680ND,POM,BLACK,42.9x15.	SNA	1
4	4		JC61-05463A	HOLDER-T2; CLP-680ND,POM,10.4,32,BLACK,12	SNA	2
5	4		JC66-03756A	ROLLER-TRANSFER2; Rousseau,18.0 (mm),NBR+	SA	1
6	4		JC61-05505A	PLATE-BIAS-TRANSFER; CLP-415N,STAINLESS-S	SNA	1
7	4		JC61-05506A	PLATE-GROUND-TRANSFER2; CLP-415N,STAINLES	SNA	1
8	4		6107-003200	SPRING-TS; SUS,0.9,11.2,10.3,3.125,RIGHT,	SNA	1

No.	Lvl.	Loc.	Material Code	Description & Specification	SNA	Qty.
9	4		6107-003201	SPRING-TS; SWP,0.9,11.2,10.3,3.125,LEFT,1	SNA	1
10	4	H1254	JC61-00983A	BUSH-TR; CLP-510,Fe+Cu+Zn-Slearate,6,	SNA	2
11	4		6107-003199	SPRING-CS; SUS,0.7,ID3.9,L19.8,9.5,RIGHT,	SNA	2
12	4	D1171	JC70-10232A	IPR-PLATE SAW; ML-80,SUS304 CSP 1/2H,T0.1	SNA	1

3. COVER-TOP

Exploded View



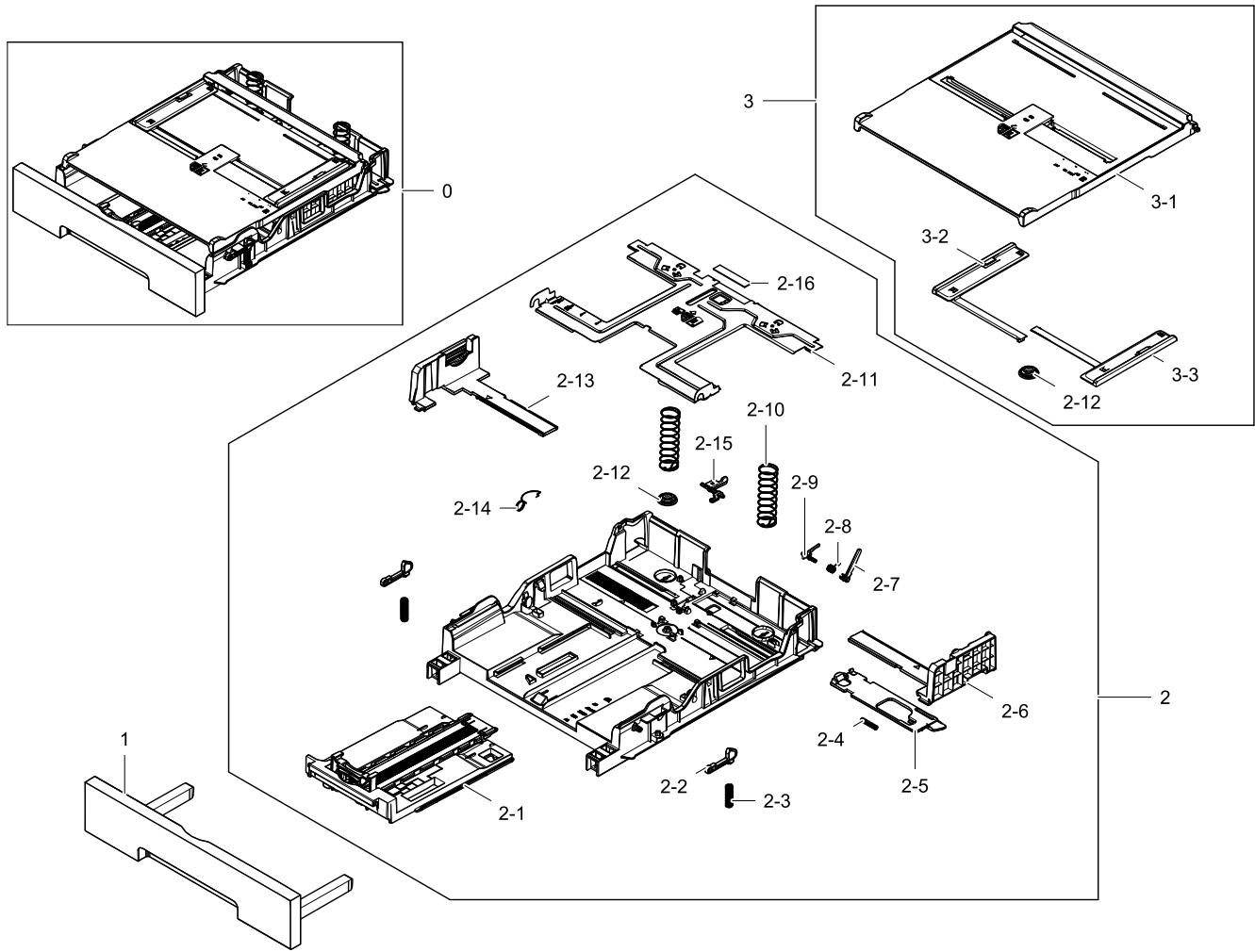
Parts List

No.	Lvl.	Loc.	Material Code	Description & Specification	SNA	Qty.
0	1		JC95-01779A	COVER-TOP; CLP-415,SEC,Spanish	SA	1
1	2		JC61-05513A	STACKER-MAIN; CLP-415N,ABS,2.2,98,76.3,HB	SA	1
2	2		JC63-03713B	COVER-TOP; CLP-415ND,ABS,2.5,300,400	SNA	1
3	2		JC61-05516A	STACKER-BINFULL; CLP-415N,ABS,STACKER/UNC	SA	1
4	2		JC72-01343B	GUIDE-PMO-SUB_M_STACKER; CLX-6260,ABS,39*	SNA	1
5	2		JC61-05621A	HOLDER-OPE; CLP-415N,HIPS,48,34,SPLIT BLA	SNA	1
6	2		JC63-03792A	COVER-LCD; CLP-680ND,PC,40.5,90.7,ROUSSEA	SNA	1
7	2		JC64-00811A	KEY-NAVIGATION; CLP-680ND,ABS,63,BLACK	SNA	1
8	2		JC64-00814A	KEY-OK; CLP-680ND,ABS,18,BLACK	SNA	1

No.	Lvl.	Loc.	Material Code	Description & Specification	SNA	Qty.
9	2		JC64-00813A	KEY-STOP; CLP-680ND,ABS,14.15,SPLIT ORANG	SNA	1
10	2		JC64-00823A	KEY-DEMO; CLP-470N,ABS,18,BLACK	SNA	1
11	2		JC61-05615A	HOLDER-KEY; CLP-415N,ABS,65,48,G32690	SNA	1
12	2		JC64-00822A	KEY-ECO; CLP-470N,ABS,18,BLACK	SNA	1
13	2		JC64-00812A	KEY-POWER; CLP-680ND,ABS,13.36,1.5T,SPLIT	SNA	1
14	2		JC64-00838A	KEY-OPE PAD; CLP-470N,Silicone,60.5x84,1,	SNA	1
15	2		JC92-02519A	PBA-OPE; CLP-470N,SEC,STM8SP103K3MAZTR,5V	SA	1
16	2		JC67-00648B	LENS-STATUS; CLP-680ND,PMMA+PMMA,16.7x9,1	SNA	1

4. CASSETTE

Exploded View



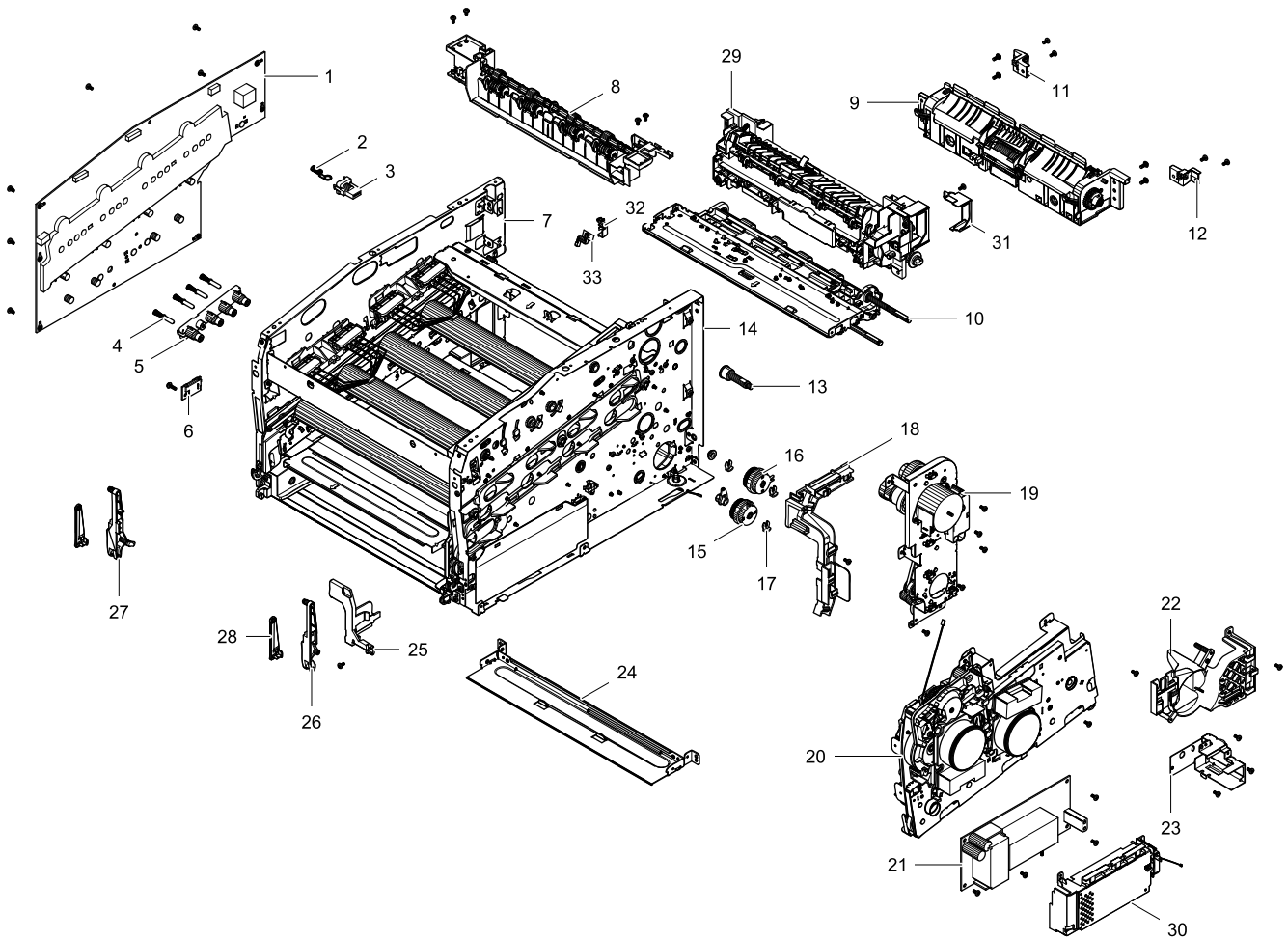
Parts List

No.	Lvl.	Loc.	Material Code	Description & Specification	SNA	Qty.
0	1		JC90-01177A	CASSETTE; CLP-470N,XAA	SA	1
1	2		JC63-03697A	COVER-HANDLE CASSETTE; CLP-680ND,HIPS,289	SA	1
2	2		JC90-01179A	CASSETTE-FRAME; CLP-470N,XAA	SNA	1
2-1	3		JC90-01178A	CASSETTE-GUIDE REAR; CLP-470N,XAA	SNA	1
2-2	3		JC64-00610A	LOCKER-CASSETTE; ML-3710,POM,NTR,41.5, 15	SNA	2
2-3	3	L7422	6107-001287	SPRING-CS; SUS304-WPB,PI0.6,D6.5,L25,ID5.	SNA	2
2-4	3	G1358	JG61-70531A	SPRING ETC-LOCKER,PLATE; SF6000,SUS304WPB	SA	1
2-5	3		JC64-00657A	LOCKER-PLATE; ML-2950ND,POM,WHITE,KEPITAL	SA	1

No.	Lvl.	Loc.	Material Code	Description & Specification	SNA	Qty.
2-6	3		JC61-04397A	GUIDE-ADJUST_L; ML-2950ND,ABS,2.0,135.52,	SA	1
2-7	3		JC66-03764A	LEVER-EMPTY; CLP-680ND,ABS,5,13.8,57,BLAC	SA	1
2-8	3		6107-003233	SPRING-TS; SUS304,0.25,6,LEFT,7,7,305	SNA	1
2-9	3		JC66-03595A	ACTUATOR-EMPTY LINK; CLP-680ND,ABS,30,BLA	SNA	1
2-10	3		6107-002935	SPRING-CS; SUS304,0.8,18.2,64.0,17.4,19.0	SA	2
2-11	3		JC61-05533A	PLATE-KONCK UP; CLP-680ND,EGI-SECC,0.8T,2	SNA	1
2-12	3		JC66-03004A	GEAR-PINION; ML-2950ND,POM,0.5,32,3.9,WHI	SNA	1
2-13	3		JC90-01106A	CASSETTE-GUIDE RIGHT; ML-2955ND,SEE	SA	1
2-14	3		6107-003232	SPRING-ETC; SUS304,0.5,10,27.51,RIGHT	SNA	1
2-15	3		JC66-03610A	ACTUATOR-EMPTY; CLP-680ND,PC,2T,20,25,NH-	SA	1
2-16	3	F9051	JC73-00141A	RPR-PAD CASSETTE; ML-1510,Urethan Sponge,	SA	1
3	2		JC90-01180A	MP-TRAY; CLP-470N,XAA	SA	1
3-1	3		JC63-03698A	TRAY-MP; CLP-680ND,HIPS,2.0,TRAY-ADF INPU	SNA	1
3-2	3		JC61-05535A	ADJUST-MP LEFT; CLP-680ND,HIPS,114.8,ADJU	SNA	1
3-3	3		JC61-05536A	ADJUST-MP RIGHT; CLP-680ND,HIPS,114.8,ADJ	SNA	1

5. FRAME

Exploded View



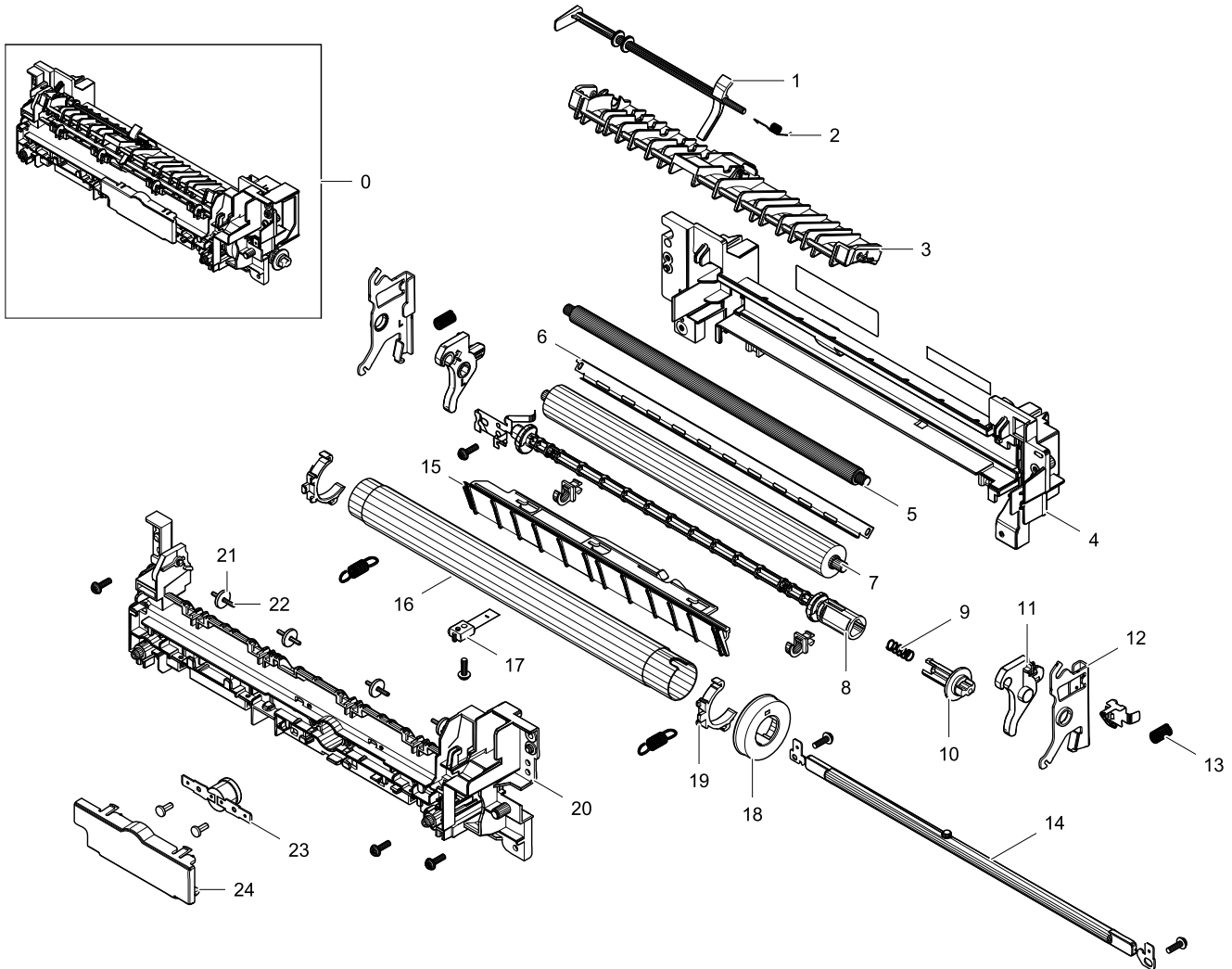
Parts List

No.	Lvl.	Loc.	Material Code	Description & Specification	SNA	Qty.
1	4		JC44-00217A	HVPS; 24V,21.6V~27.6V,MAX 5KV,MAX-2KV,600	SA	1
2	4		6107-003212	SPRING-CS; SUS304,0.5,6,13,6,5.75,6.25,7	SNA	1
3	4		JC61-05488A	HOLDER-HV T2; CLP-680ND,ABS+PC,50	SNA	1
4	4		JC93-00658A	FRAME-T1 TERMINAL; CLP-470N,XAA	SNA	4
5	4		JC61-05487A	HOLDER-HV T1; CLP-680ND,ABS+PC,100	SNA	1
6	4		JC32-00015A	SENSOR; HSU-07F1V2-N,CLX-9201,0~45°C,+3.3	SA	1
7	3		JC93-00646A	FRAME-LEFT; CLP-470N,XAA	SNA	1
8	3		JC93-00654A	FRAME-EXIT; CLP-470N,XAA	SNA	1
9	3		JC93-00674A	FRAME-RETARD; CLP-470N,XAA	SA	1
10	3		JC93-00652A	FRAME-PICK UP BRACKET; CLP-470N,XAA	SNA	1
11	3		JC61-05518A	HINGE-REAR L; CLP-415N,ABS+PC,K21441,NH-1	SNA	1

No.	Lvl.	Loc.	Material Code	Description & Specification	SNA	Qty.
12	3		JC61-05519A	HINGE-REAR R; CLP-415N,ABS+PC,K21441,NH-1	SNA	1
13	3	L5960	JC66-01207A	SHAFT-M-CLUTCH FUSER; CLP-300,POM,L39.8,D	SA	1
14	3		JC93-00650A	FRAME-RIGHT; CLP-470N,XAA	SA	1
15	3		JC47-00035A	CLUTCH-ELECTRIC Z41; 2.5,41,0.6,120mA,200	SA	1
16	3		JC47-00035B	CLUTCH-ELECTRIC; 2.5,41,0.6,120mA,200Ohm	SA	1
17	3	I4806	JC61-01367A	FIXER-M_E RING 4PI; SCX-6345N/XRX,POM,T1.	SA	2
18	3		JC61-05522A	GUIDE-FFC HARNESS; CLP-470NW,HIPS,1.5T,15	SNA	1
19	3		JC93-00670A	DRIVE-FEED; CLP-470N,SEC	SA	1
20	3		JC93-00669A	DRIVE-MAIN; CLP-470N,SEC	SA	1
21	2		JC44-00090E	SMPS-V2; SCX-5737FW,PSPN-Type3-V2,Flyback	SA	1
22	3		JC67-00658A	DUCT-MAIN FAN; CLP-470N,HIPS,200	SNA	1
23	3		JC93-00656A	FRAME-INLET; CLP-470N,XAA	SNA	1
24	3		JC61-05440A	BRACKET-BOTTOM_REAR; CLP-470NW,EGI-SECC,1	SNA	1
25	2		JC63-03760A	COVER-HARNESS ACR; CLP-470N,HIPS,40	SNA	1
26	3		JC66-03618A	LINK-R; CLP-470N,POM,90mm,2.0t,WHITE,KLIM	SNA	1
27	3		JC66-03617A	LINK-L; CLP-470N,POM,90mm,2.0t,WHITE,KLIM	SNA	1
28	2		JC66-03619A	LINK-CAP; CLP-415N,HIPS,59.5mm,2.5mm,BLAC	SNA	2
29	2		JC91-01130A	FUSER; CLP-470N,SEC,WORLD,220V	SA	1
30	2		JC93-00660A	FRAME-SMPS COVER; CLP-470N,XAA	SNA	1
31	2		JC63-03814A	COVER-CONNECTOR; CLP-470N,PC,49.4,51,BLAC	SNA	1
32	2		JC61-05450A	HOLDER-ACTUATOR REAR; CLP-470N,ABS,50	SNA	1
33	2		JC66-03645A	LEVER-ACTUATOR REAR; CLP-470N,ABS,28.6,bl	SNA	1

5.1. FUSER

Exploded View



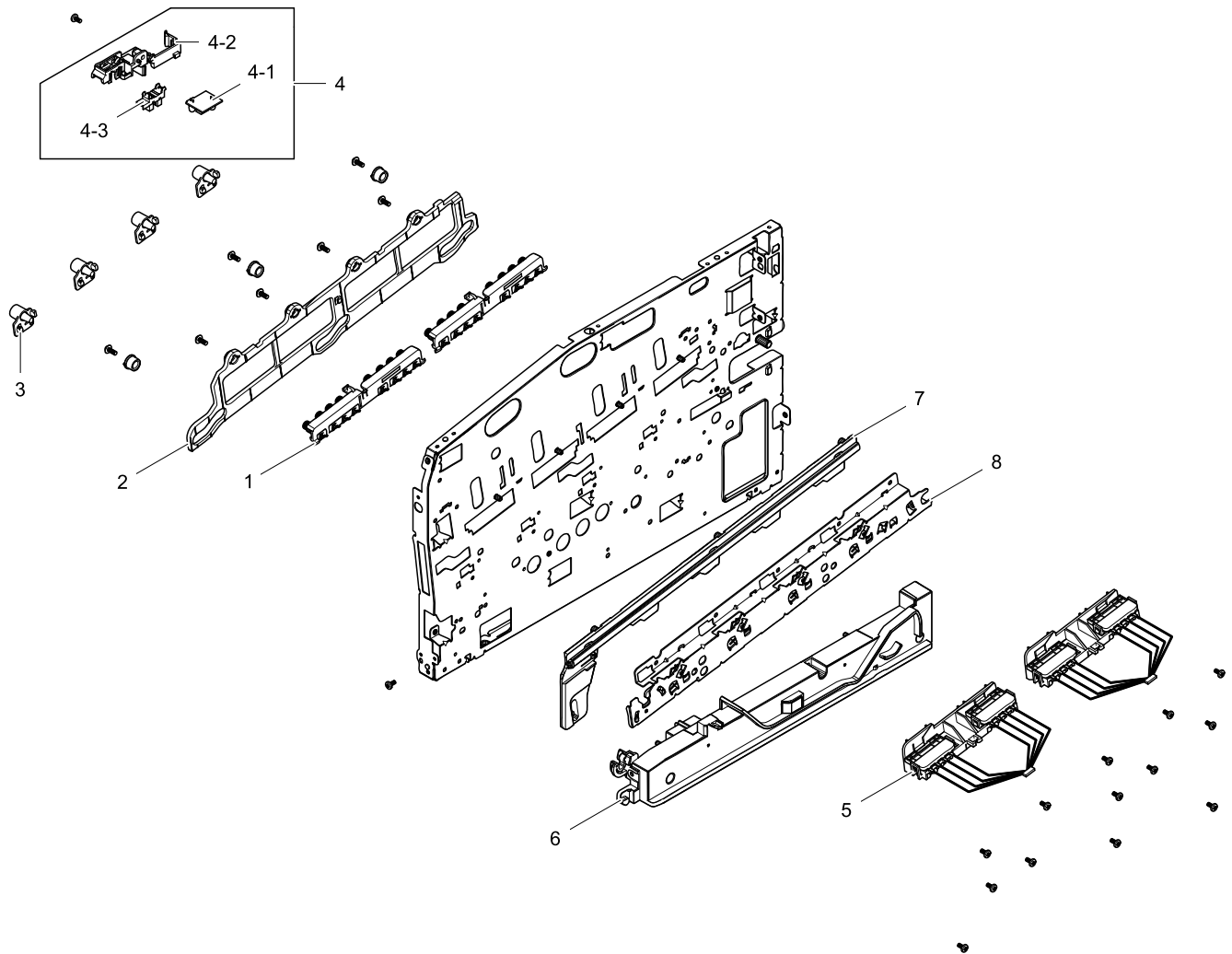
Parts List

No.	Lvl.	Loc.	Material Code	Description & Specification	SNA	Qty.
0	2		JC91-01130A	FUSER; CLP-470N,SEC,WORLD,220V	SA	1
1	3		JC66-03768A	ACTUATOR-EXIT FUSER; CLP-470N,PA,3.6,134.	SNA	1
2	3	L7540	6107-001507	SPRING-TS; SUS304,NATURAL,PI0.25,W5.3,ID4	SA	1
3	3		JC61-05606A	GUIDE-OUTPUT FUSER; CLP-470N,PET+GF,38.8,	SNA	1
4	3		JC61-05603A	FRAME-LOWER FUSER; CLP-470N,PET+GF,8300SE	SNA	1
5	3		JC66-03779A	ROLLER-PRESSURE SHAFT; CLP-470N,9.6,SUM22	SNA	1
6	3		JC61-05763A	BRACKET-PR GUIDE; STAINLESS-ST304,0.3T	SNA	1

No.	Lvl.	Loc.	Material Code	Description & Specification	SNA	Qty.
7	3	L9622	JC66-02716B	ROLLER-PRESSURE; ML-1660,8,SUM22 or SUM23	SA	1
8	3		JC66-03772A	SHAFT-CAM FUSER; CLP-470,PET,189.9,10.6,B	SNA	1
9	3	L7371	6107-001290	SPRING-CS; SUS304 WPB,PI0.55,D5.55,L16,ID	SA	1
10	3		JC61-05601A	HOLDER-M SHAFT FUSER; CLP-470N,PC,34.3,10	SNA	1
11	3		JC61-05609A	BUSH-2PR R; CLP-470N,PPS,6.1,50.4,BLACK	SNA	1
12	3		JC61-05608A	HOLDER-2PR R; CLP-470N,SECC,1.2 T,38.3,29	SNA	1
13	3	G1551	6107-001397	SPRING-CS; SWP-B,YELLOW,PI0.9,D5.8,L18.7,	SA	2
14	3		4713-001662	LAMP-HALOGEN; 230V,850W	SNA	1
15	3		JC61-05604A	GUIDE-INPUT FUSER; CLP-470N,PET+GF,20.76,	SNA	1
16	3		JC66-03326A	ROLLER-HEAT; CLP-360,23.2,AL3304-H34 or S	SNA	1
17	3		1404-001733	THERMISTOR-NTC ASSY; 7Kohm,3370K,0.3mW/C,	SNA	1
18	3		JC66-03355A	GEAR-FUSER; CLP-365W,PPS,1,34,BROWN,36,13	SNA	1
19	3		JC61-04986A	BUSH-HR R; CLP-365W,PPS,23.7,SEC,RBA-313N	SNA	1
20	3		JC61-05602A	FRAME-UPPER FUSER; CLP-470N,PET+GF,8300SE	SNA	1
21	3	F8905	JC66-02010A	ROLLER-IDLE; CLP-310,PTFE	SNA	4
22	3	C7178	JC70-20901A	SHAFT; ML-5000A,STAINLESS-ST303,17.2,4,P	SNA	4
23	3		4712-001091	THERMOSTAT; AC125/250V,195+-5100	SNA	1
24	3		JC63-03775A	COVER-THERMOSTAT; CLP-470N,PC,29.9,58.2,B	SNA	1

5.2. FRAME-LEFT

Exploded View



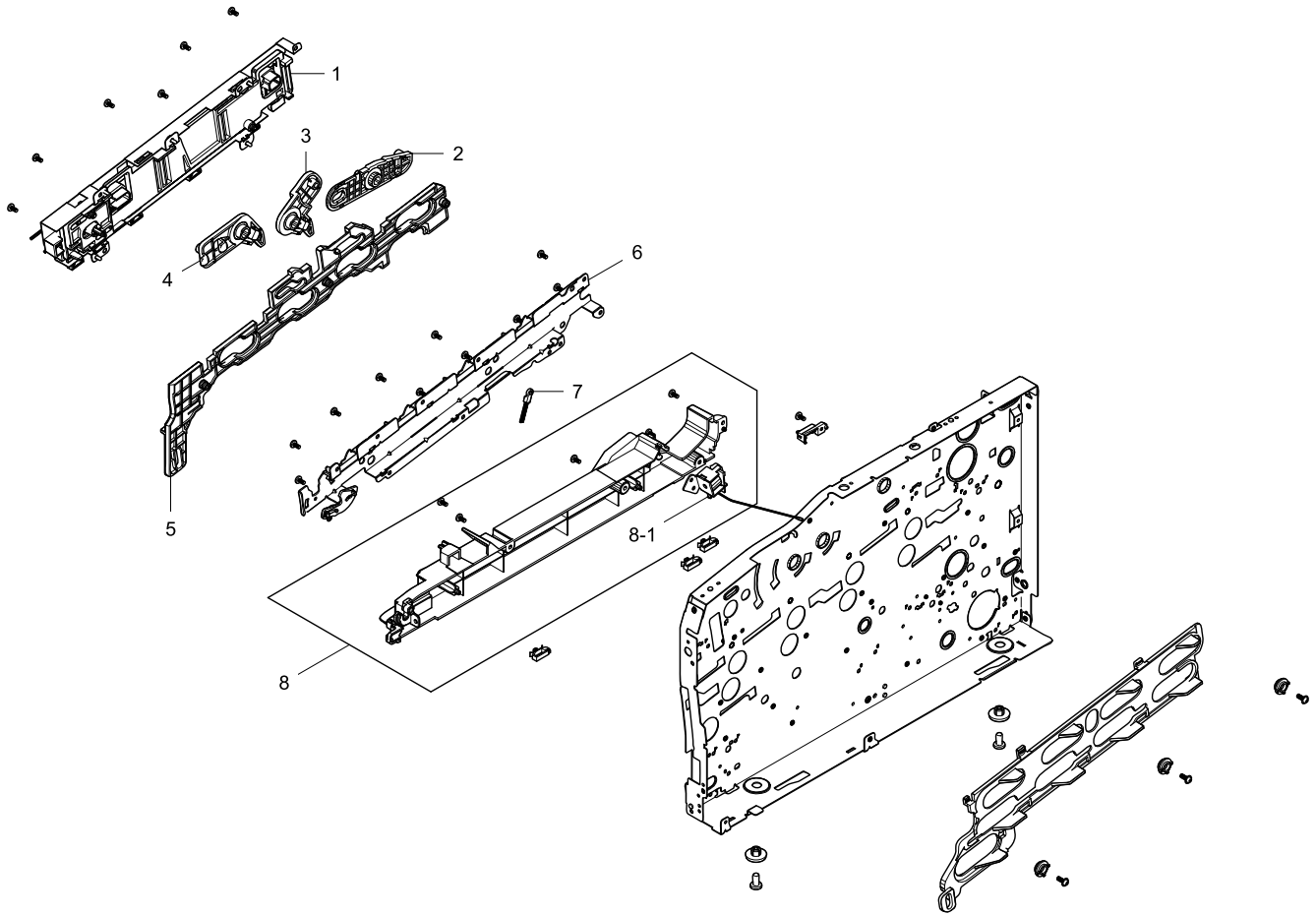
Parts List

No.	Lvl.	Loc.	Material Code	Description & Specification	SNA	Qty.
1	4		JC93-00649A	FRAME-SPRING HV; CLP-470N,XAA	SNA	2
2	4		JC66-03625A	LINK-HOLDER CRUM; CLP-470N,ABS,250	SNA	1
3	4		JC67-00662A	LENS-LED; CLP-680ND,PC,100	SA	4
4	4		JC93-00634A	FRAME-HOLDER WTB SENSOR; CLP-680ND,XAA	SNA	1
4-1	5		JC92-02533A	PBA-WTB SENSOR; CLX-6260FW,SEC,WTB SENSOR	SA	1
4-2	5		JC61-05483A	HOLDER-WTB SENSOR; CLP-680ND,HIPS,70	SA	1
4-3	5	L9633	0604-001415	PHOTO-INTERRUPTER; TR,DIP-4,BK	SA	1
5	4		JC93-00743A	FRAME-CRUM HOLDER; CLP-680ND,XAA	SA	2
6	4		JC93-00781A	FRAME-GUIDE RAIL CST L; CLP-415N,XAA	SA	1

No.	Lvl.	Loc.	Material Code	Description & Specification	SNA	Qty.
7	4		JC93-00783A	FRAME-GUIDE TRAY L; CLP-415N,XAA	SNA	1
8	4		JC93-00647A	FRAME-BRACKET OPC L; CLP-470N,XAA	SNA	1

5.3. FRAME-RIGHT

Exploded View

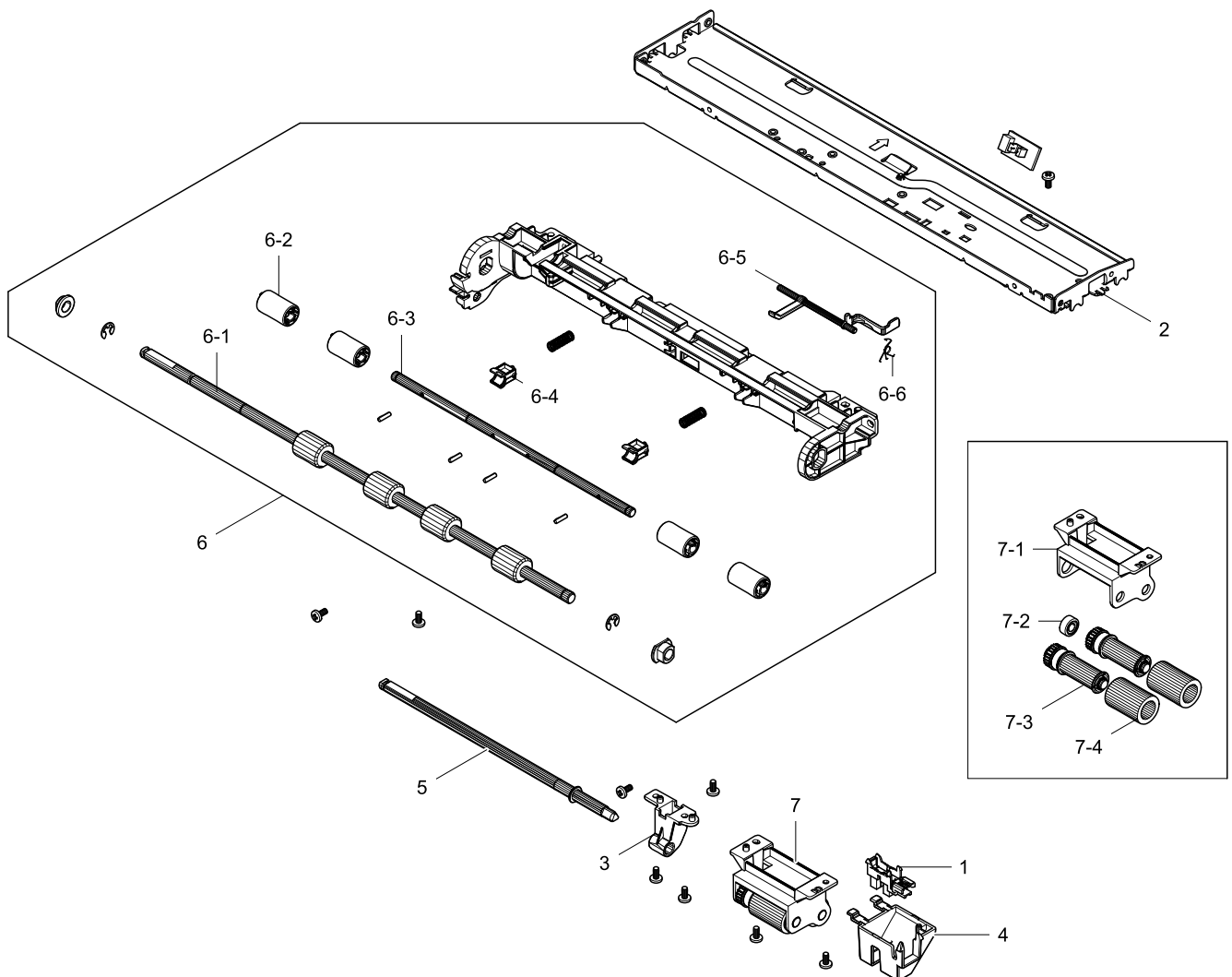


Parts List

No.	Lvl.	Loc.	Material Code	Description & Specification	SNA	Qty.
1	4		JC98-02044A	ETC-DEVE NIP RELEASE; CLP-470N,SEC	SNA	1
2	4		JC66-03626A	LINK-DEVE PUSHER; CLP-470N,POM,100	SNA	1
3	4		JC66-03623A	LEVER-LINK DEVE PUSHER; CLP-470N,POM,57.9	SNA	1
4	4		JC66-03622A	LEVER-DEVE PUSHER; CLP-470N,POM,100,LINK/	SNA	1
5	4		JC61-05526A	GUIDE-TRAY RIGHT; CLP-470NW,ABS+GF,91.6,3	SNA	1
6	4		JC93-00651A	FRAME-BRACKET OPC R; CLP-470N,XAA	SNA	1
7	4	L7824	1404-001417	THERMISTOR-NTC ASSY; 10Kohm,3435K,3MWC	SA	1
8	4		JC93-00782A	FRAME-GUIDE RAIL CST R; CLP-415N,XAA	SA	1
8-1	5		JC33-00028D	SOLENOID; CLP-680ND,DC 24V,70,22.1*14.8	SA	1

5.4. FRAME-PICK UP BRACKET

Exploded View



Parts List

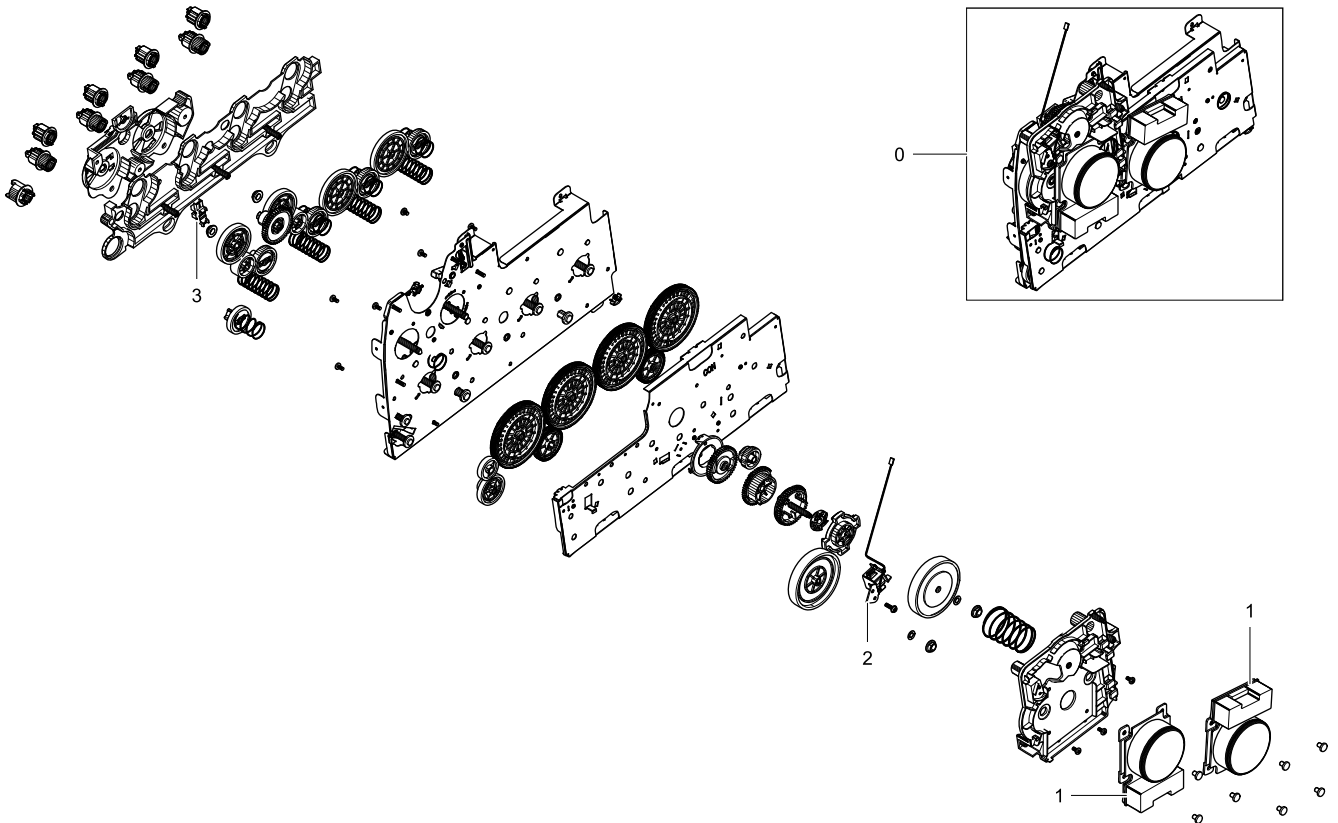
No.	Lvl.	Loc.	Material Code	Description & Specification	SNA	Qty.
1	4	L9633	0604-001415	PHOTO-INTERRUPTER; TR,DIP-4,BK	SA	1
2	4		JC61-05431A	BRACKET-PICKUP; CLP-470NW,EGI-SECC,0.8T,2	SNA	1
3	4		JC61-05534A	HOLDER-PICKUP SHAFT; CLP-680ND,POM,30.7	SNA	1
4	4		JC63-03702A	COVER-ACTUATOR; CLP-680ND,HIPS,1.5T,44,28	SNA	1
5	4		JC66-03597A	SHAFT-PICKUP; CLP-680ND,PC,170,MOLD	SNA	1
6	4		JC93-00672A	FRAME-REGI; CLP-470N,XAA	SNA	1
6-1	5		JC66-03600A	ROLLER-REGI; CLX?8650ND,EPDM,SUM22,6	SA	1
6-2	5		JC61-05611A	ROLLER-REGI IDLE; CLP-680ND,POM,F20-02	SNA	4
6-3	5		JC66-03778A	SHAFT-REGI IDLE; CLP-680ND,SUM 22,175.2,5	SNA	1

Exploded Views and Parts List

No.	Lvl.	Loc.	Material Code	Description & Specification	SNA	Qty.
6-4	5		JC61-05448A	HOLDER; CLP-680ND,POM,1.5T,9.2,9.8,20	SNA	2
6-5	5		JC66-03611A	ACTUATOR-REGI SENSOR; CLP-680ND,PC+GF,2T,	SA	1
6-6	5	G1591	6107-001164	SPRING-TS; SUS,PI0.15,D3.95,ID3.8,OD4.1	SA	1
7	4		JC93-00673A	FRAME-PICKUP ONEWAY; CLP-470N,XAA	SA	1
7-1	5		JC61-05370A	HOLDER-PICKUP; CLP-680ND,ABS+PC,59.8	SNA	1
7-2	5	C3485	JC66-01918A	GEAR-IDLE PICK UP; CLX-3170FN,POM,0.5,20,	SNA	1
7-3	5		JC66-03047A	CLUTCH-P-ONEWAY; ML-2955ND,POM	SNA	2
7-4	5		JC66-02939B	ROLLER-MAT_RETARD; ML-2950ND,EPDM	SA	2

5.5. DRIVE-MAIN

Exploded View

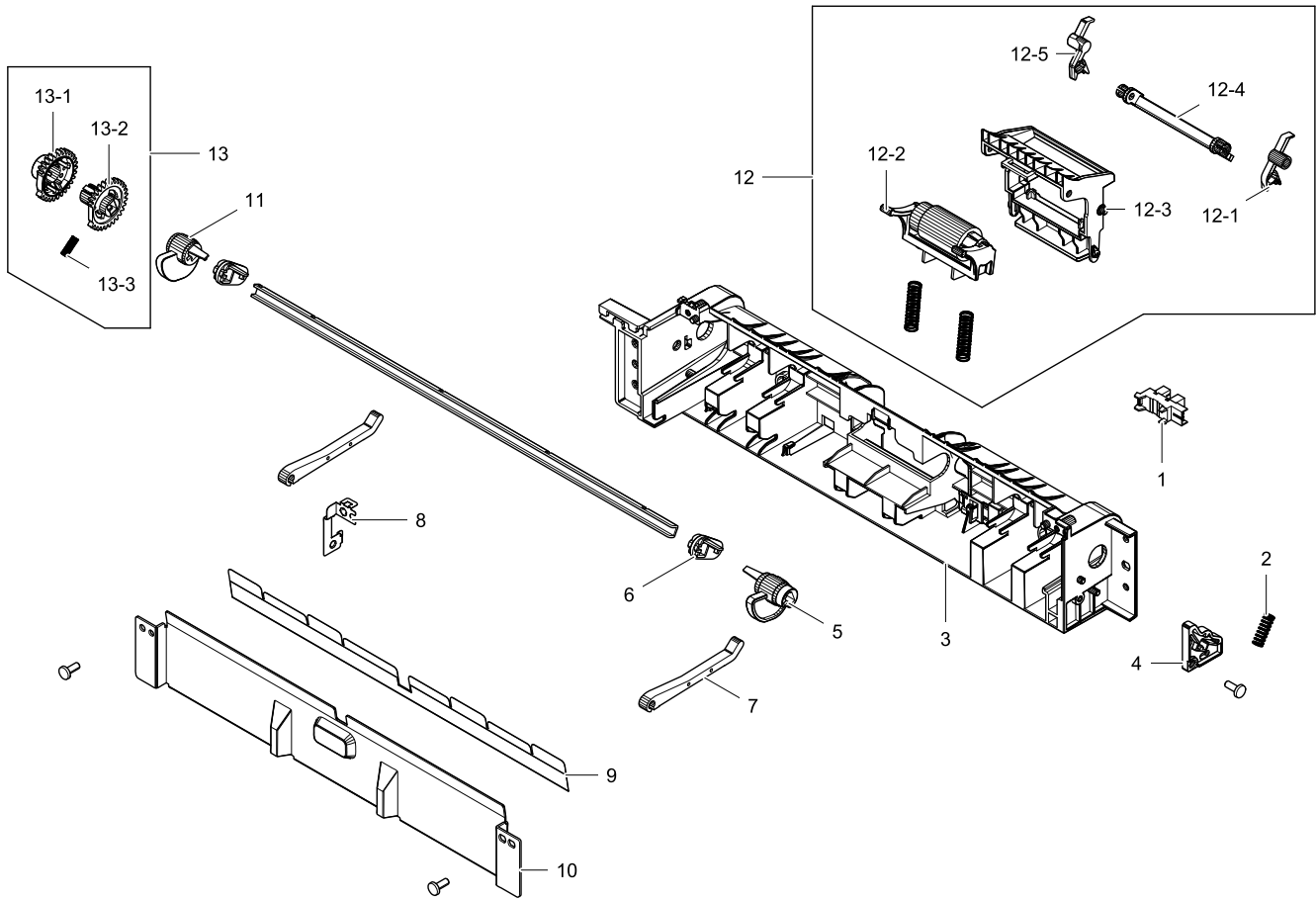


Parts List

No.	Lvl.	Loc.	Material Code	Description & Specification	SNA	Qty.
0	3		JC93-00669A	DRIVE-MAIN; CLP-470N,SEC	SA	1
1	4		JC31-00165A	MOTOR BLDC-BT6; 430 ~ 2400 rpm,DC 24V,2.0	SA	2
2	4		JC33-00028D	SOLENOID; CLP-680ND,DC 24V,70,22.1*14.8	SA	1
3	4	L9633	0604-001415	PHOTO-INTERRUPTER; TR,DIP-4,BK	SA	1

5.6. FRAME-RETARD

Exploded View



Parts List

No.	Lvl.	Loc.	Material Code	Description & Specification	SNA	Qty.
1	4	L9633	0604-001415	PHOTO-INTERRUPTER; TR,DIP-4,BK	SA	1
2	5		6107-003246	SPRING-CS; SUS304,0.6,14.8,4,RIGHT	SNA	2
3	4		JC61-05402A	GUIDE-RETARD; CLP-680ND,ABS+GF,273.5,GF20	SNA	1
4	4		JC61-05392A	HOLDER-CAM; CLP-680ND,POM,21.8	SNA	1
5	4		JC66-03591A	CAM-KNOCK UP L; CLP-680ND,POM,28	SNA	1
6	4		JC66-03592A	CAM-KICKER; CLP-680ND,POM,10.95	SNA	2
7	4		JC66-03615A	LEVER-KNOCK UP; CLP-680ND,POM,2T,5,60,F20	SNA	2
8	4		JC63-03777A	GROUND-PICKUP; CLP-680ND,SUS,0.2,28.4,GRO	SNA	1
9	4		JC63-03868A	SHEET-GUIDE; CLP-680ND,PET,0.125,222.5	SA	1
10	4		JC61-05417A	BRACKET-RETARD; CLP-680ND,EGI-SECC,0.8,50	SNA	1
11	4		JC66-03590A	CAM-KNOCK UP R; CLP-680ND,POM,22	SNA	1

No.	Lvl.	Loc.	Material Code	Description & Specification	SNA	Qty.
12	4		JC93-00675A	FRAME-RETARD SUB; CLP-470N,XAA	SA	1
12-1	5		JC61-05388A	FRAME-PICKUP MP; CLP-680ND,-,PC+ABS	SNA	1
12-2	5		JC93-00682A	FRAME-ROLLER RETARD; CLP-680ND	SNA	1
12-3	5		JC61-05394A	FRAME-RETARD COVER; CLP-680ND,ABS,50.6	SNA	1
12-4	5		JC66-03588A	LEVER-KICKER LINK; CLP-680ND,ABS,51.6,LIN	SNA	1
12-5	5		JC61-05389A	FRAME-TRAY MP; CLP-680ND,-,PC+ABS	SNA	1
13	4		JC93-00765A	DRIVE-GEAR KNOCKUP; CLP-470N	SA	1
13-1	5		JC66-03599A	GEAR-HOLDER CAM; CLP-680ND,POM,30,black,2	SNA	1
13-2	5		JC66-03598A	GEAR-DRV KN UP; CLP-680ND,POM,30,black,25	SNA	1
13-3	5		6107-003228	SPRING-CS; SUS304,0.2,3.2,9.6,13,FREE	SNA	1