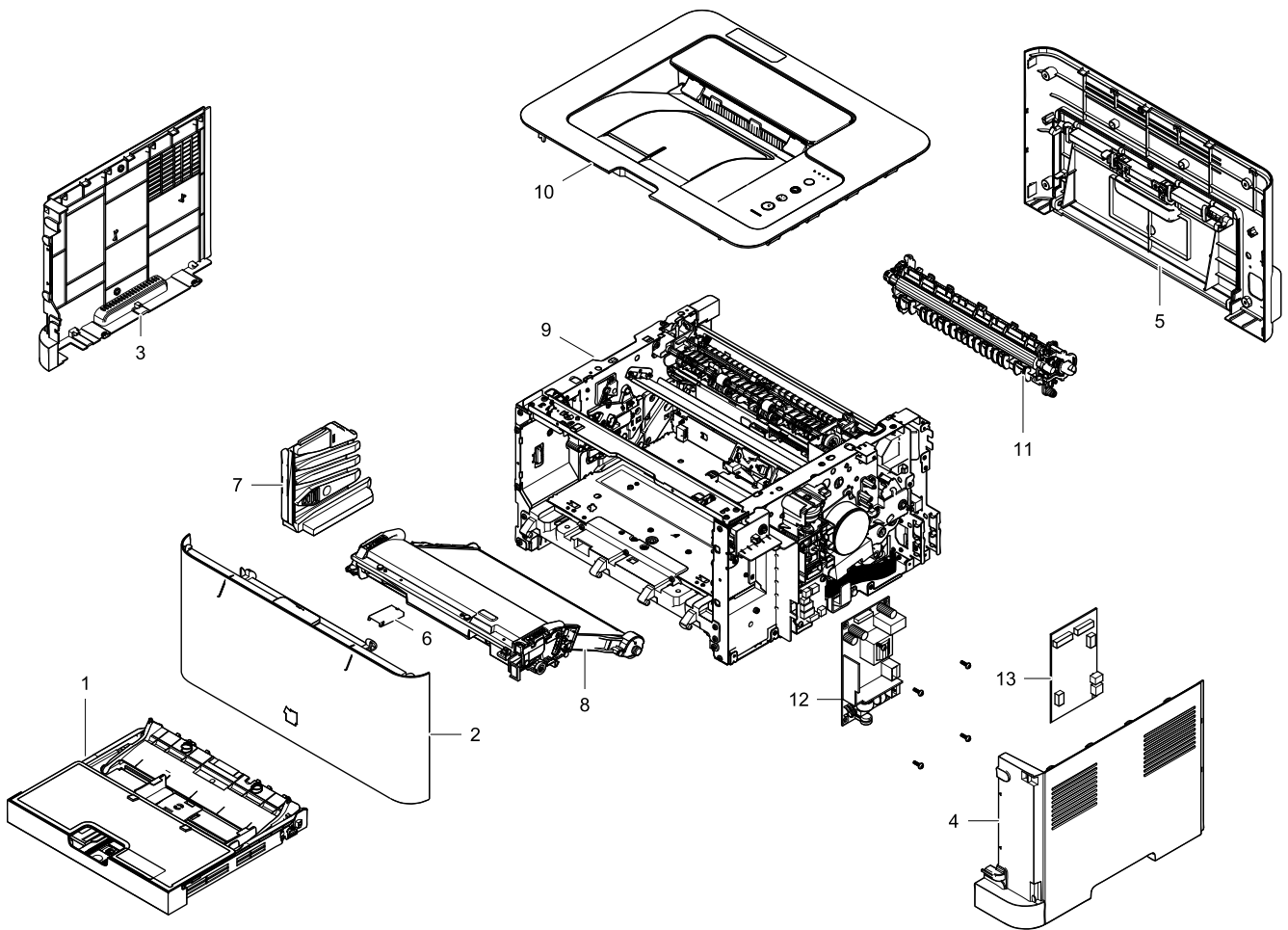


# 1. MAIN

## Exploded View



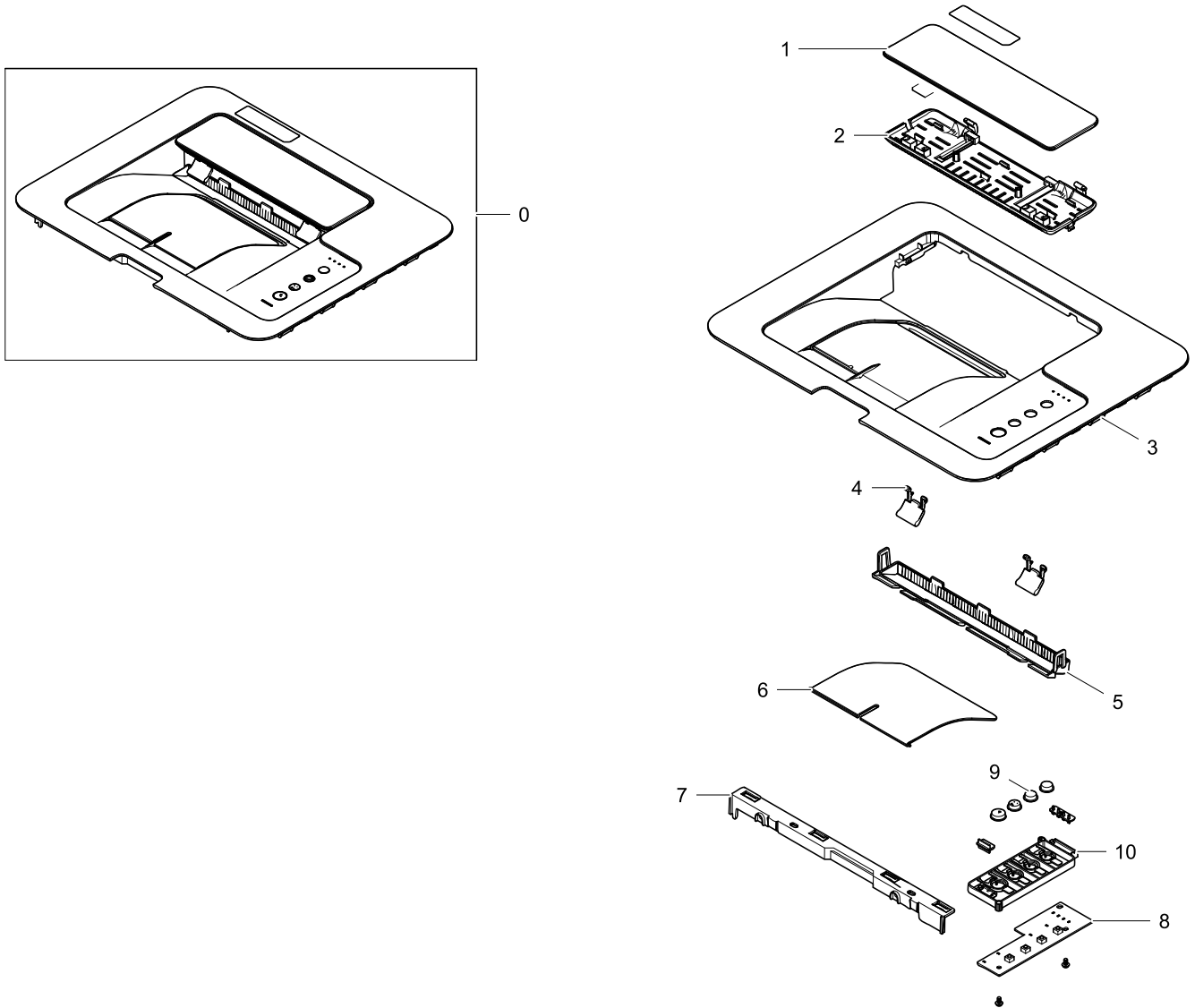
## Parts List

No.	Lvl.	Loc.	Material Code	Description & Specification	SNA	Qty.
1	1		JC90-01142A	CASSETTE; CLP-365W,SEC	SA	1
2	2		JC95-01585A	COVER-FRONT; CLP-365W,SEE	SA	1
3	2		JC63-03531A	COVER-LEFT; CLP-365W,HIPS,2.0T,266.5,209.	SA	1
4	2		JC63-03567A	COVER-RIGHT; CLP-365W,HIPS,2.0T,266.5,209	SA	1
5	2		JC95-01588A	COVER-REAR; CLP-365,SEE,SPLIT GRAY	SA	1
6	2	H4282	JC63-01574A	COVER-CABLE; CLP-310,POM,T1.5,19.7,37.3,H	SA	1
7	2		JC96-06298A	CARTRIDGE-WTB; CLP-365W,SEC	SA	1
8	1		JC96-06292B	CARTRIDGE-TRANSFER; CLP-365W,SEC	SNA	1
9	1		JC93-00728A	FRAME-MAIN; CLP-365W,SEC	SNA	1
10	1		JC95-01589B	COVER-TOP; CLP-365,SEE	SA	1
11	1		JC93-00708A	FRAME-TRANSFER; CLP-365	SA	1
12	1		JC44-00214A	SMPS-V2; CLP-365W,Carlsen,Flyback,60W,220	SA	1
13	1		JC92-02485F	PBA-MAIN; CLP-360,XSG,MAIN,71.75*120,FR4,	SA	1



## 2. COVER-TOP

### Exploded View



### Parts List

No.	Lvl.	Loc.	Material Code	Description & Specification	SNA	Qty.
0	1		JC95-01589B	COVER-TOP; CLP-365,SEE	SA	1
1	2		JC63-03533A	COVER-DUST; CLP-365W,HIPS,2.0T,229.9,70.8	SNA	1
2	2		JC63-03534A	COVER-JAM; CLP-365W,HIPS,2.0T,228.6,67.8,	SNA	1
3	2		JC63-03536B	COVER-TOP; CLP-365,HIPS,2.5T,378,305,SEE,	SNA	1
4	2		JC67-00603A	MACHINERY ETC-PMO SUB STACKER; CLP-365W,P	SNA	2
5	2		JC63-03569A	COVER-EXIT; CLP-365W,ABS+PC,2.0T,240,32.5	SNA	1
6	2		JC61-05006A	STACKER-MAIN; CLP-360,HIPS,136,118.9,HB,B	SA	1
7	2		JC63-03568A	COVER-TOP DUMMY; CLP-365W,HIPS,2.0T,287.2	SNA	1

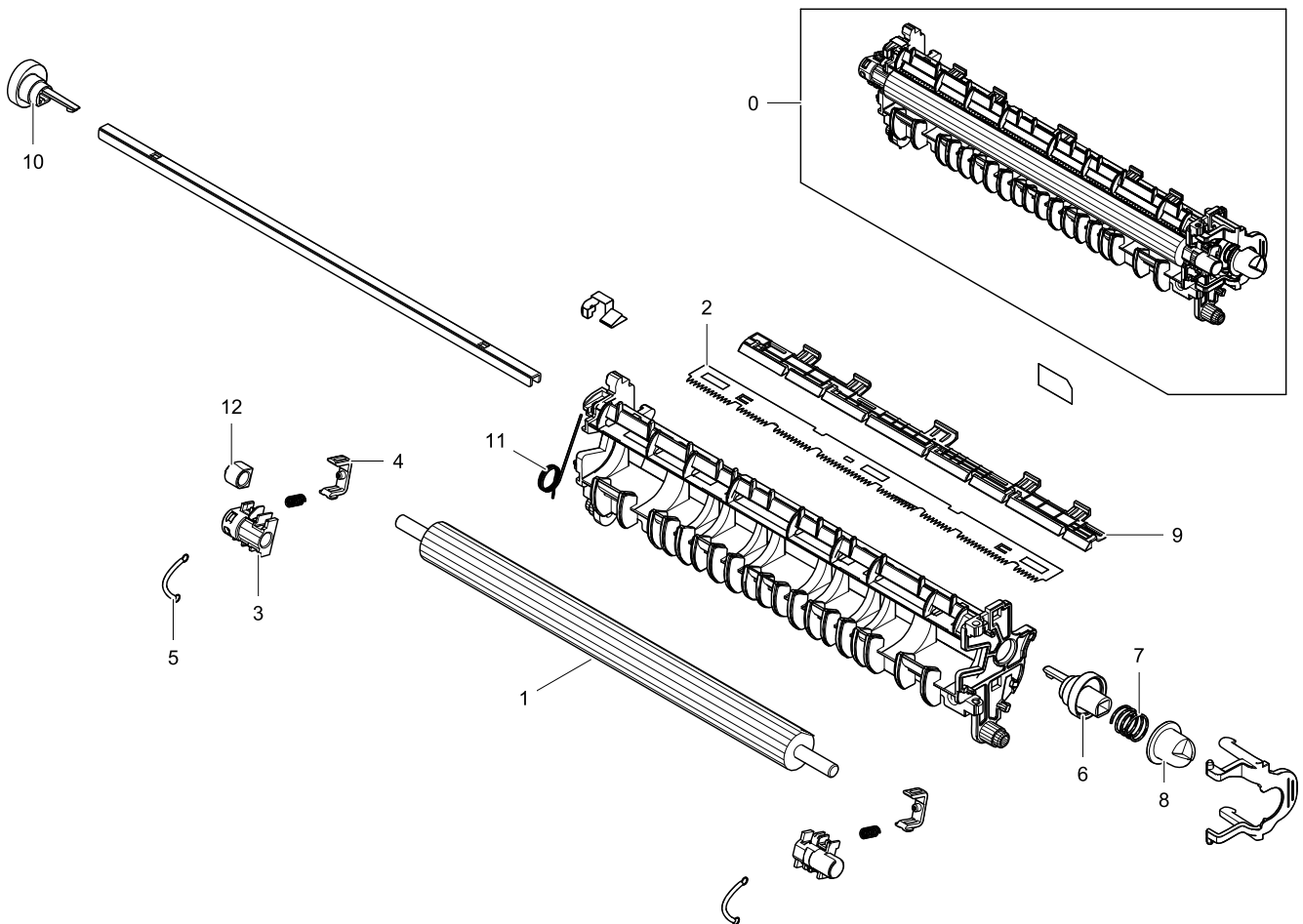
Exploded Views and Parts List

---

No.	Lvl.	Loc.	Material Code	Description & Specification	SNA	Qty.
8	2		JC92-02500A	PBA-OPE; CLP-360,SEC,44*126.8 mm,Basic,FR	SA	1
9	2		JC64-00755A	KEY-PRINT SCREEN; CLP-365W,HIPS,13.6,1.3T	SA	1
10	2		JC63-03535A	COVER-KEY-HOLDER; CLP-365W,HIPS,1.5T,115.	SNA	1

### 3. FRAME-TRANSFER

#### Exploded View



#### Parts List

No.	Lvl.	Loc.	Material Code	Description & Specification	SNA	Qty.
0	1		JC93-00708A	FRAME-TRANSFER; CLP-365	SA	1
1	2		JC66-03353A	ROLLER-TRANSFER; Calsen,18.0 (mm),NBR+ECO	SA	1
2	2	D1171	JC70-10232A	IPR-PLATE SAW; ML-80,SUS304 CSP 1/2H,T0.1	SNA	1
3	2		JC61-05658A	HOLDER-SHAFT L; CLP-365,POM,2.0,16,23,WHI	SNA	1
4	2		JC61-05655A	HOLDER-TR CAM; CLP-365,HIPS,2,11,16,BLACK	SNA	2
5	2		6107-001542	SPRING-ES; SWP,PI0.45,L34.1,ID3,OD3.9	SNA	2
6	2		JC66-03789A	CAM-TR R; CLP-365,POM,2.0,30,WHITE,HB	SNA	1
7	2		6107-003276	SPRING-CS; SWP B,0.9,12,12.1,FREE	SNA	1
8	2		JC67-00671A	COUPLER-TR; CLP-365,POM,13,WHITE	SNA	1
9	2		JC61-04156A	HOLDER-SAW PLATE; CLP-325,HIPS,1.2,9.6,21	SNA	1
10	2		JC66-03788A	CAM-TR L; CLP-365,POM,2,20,WHITE,HB	SNA	1

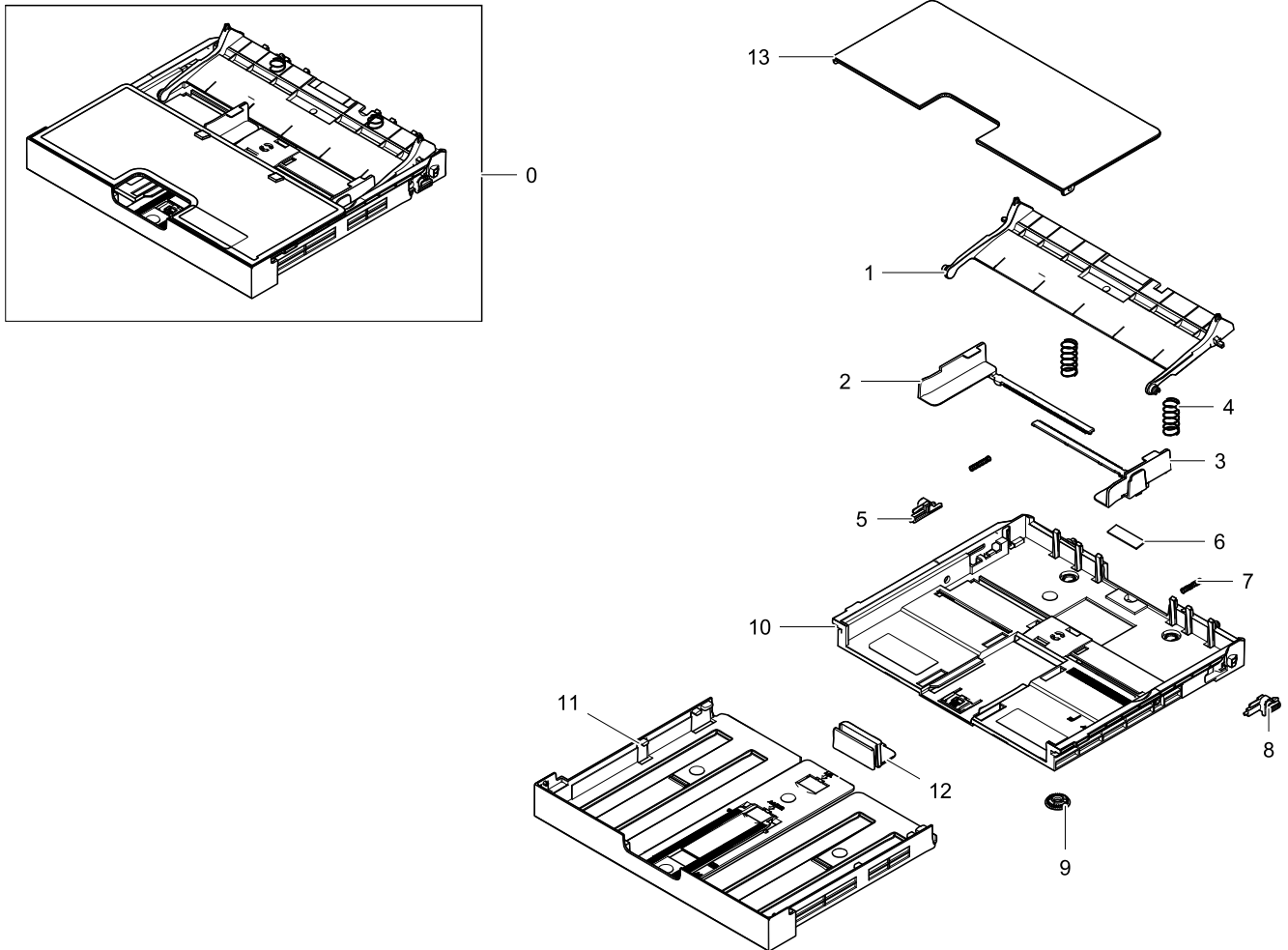
Exploded Views and Parts List

---

No.	Lvl.	Loc.	Material Code	Description & Specification	SNA	Qty.
11	2		6107-003280	SPRING-TS; SWP,ZINC WHITE,0.8,25/16,8,RIG	SNA	1
12	2		JC61-04944A	HOLDER-CHARGE; CLP-360,BRONZE-SINTERED	SNA	1

## 4. CASSETTE

### Exploded View



### Parts List

No.	Lvl.	Loc.	Material Code	Description & Specification	SNA	Qty.
0	1		JC90-01142A	CASSETTE; CLP-365W,SEC	SA	1
1	2		JC61-04940A	PLATE-KNOCKUP; CLP-360,HIPS,GRAY,GUIDE SU	SA	1
2	2		JC61-04937A	GUIDE-ADJUST CASSETTE L; CLP-360,HIPS,GRA	SNA	1
3	2		JC61-04936A	GUIDE-ADJUST CASSETTE R; CLP-360,HIPS,GRA	SNA	1
4	2	G1521	6107-001240	SPRING-CS; SUS304-WPB,GROUND END,PI0.6,D1	SA	2
5	2	B1072	JC61-02127A	GUIDE-KNOCKUP L; SCX-4500,POM,NTR,GUIDE	SA	1
6	2		JC73-00322B	RUBBER-PAD_FRICTION; ML-1660,EPDM,80,0.6~	SNA	1

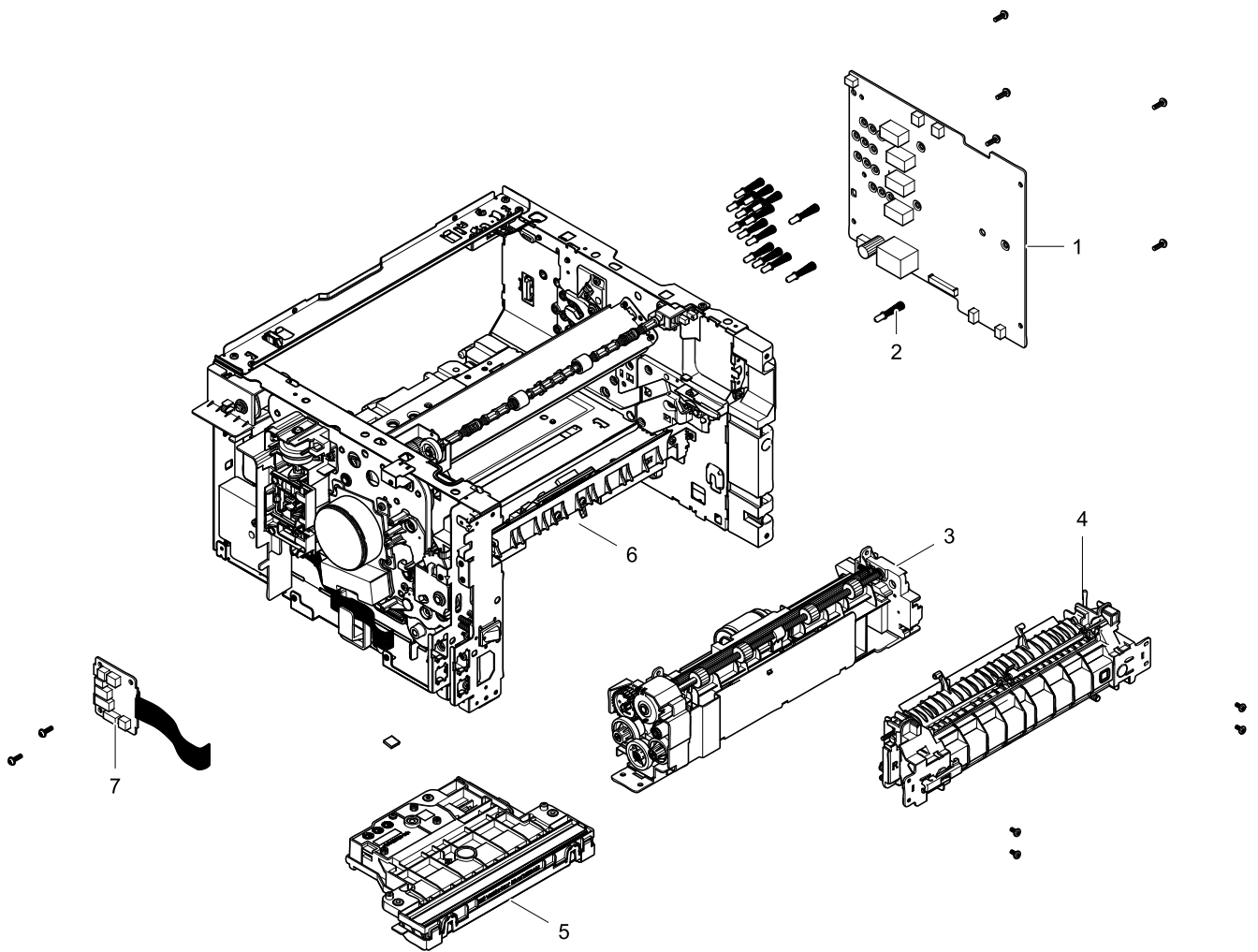
Exploded Views and Parts List

No.	Lvl.	Loc.	Material Code	Description & Specification	SNA	Qty.
7	2	G1358	JG61-70531A	SPRING ETC-LOCKER,PLATE; SF6000,SUS304WPB	SA	2
8	2	B1073	JC61-02128A	GUIDE-KNOCKUP R; SCX-4500,POM,NTR,GUIDE	SA	1
9	2		JC66-03004A	GEAR-PINION; ML-2950ND,POM,0.5,32,3.9,WHI	SNA	1
10	2		JC61-04951A	FRAME-SEMI CASSETTE; CLP-360,HIPS,GRAY,CA	SNA	1
11	2		JC61-04935A	SUPPORT-CASSETTE EXTENSION; CLP-360,HIPS,	SNA	1
12	2		JC61-04934A	STOPPER-PAPER REAR; CLP-360,HIPS,GRAY	SNA	1
13	2		JC63-03487A	COVER; CLP-360,PC,GRAY	SA	1



## 5. FRAME-MAIN

### Exploded View

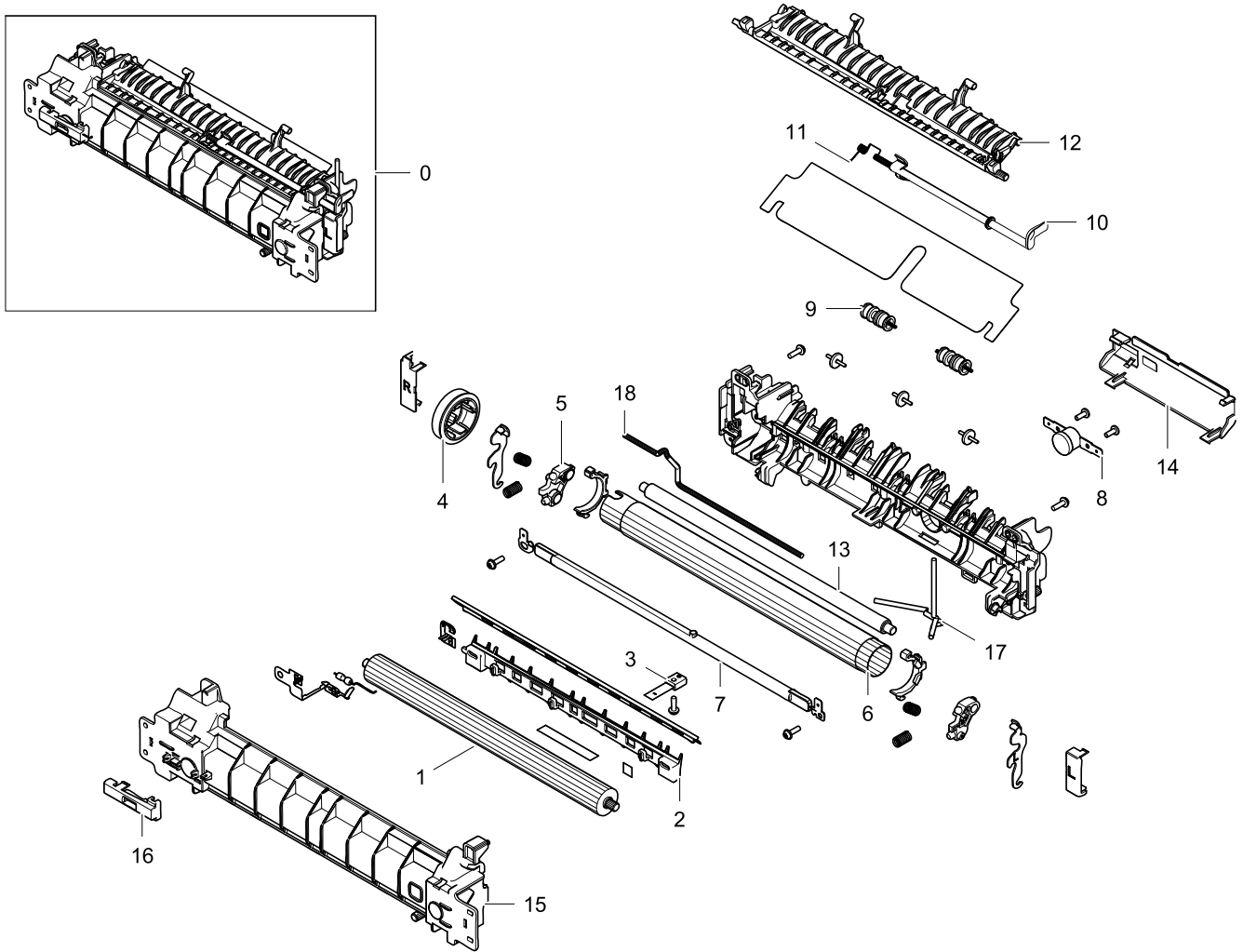


### Parts List

No.	Lvl.	Loc.	Material Code	Description & Specification	SNA	Qty.
1	2		JC44-00215A	HVPS; 24V,21.6V~27.6V,MAX 5KV,MAX-2KV,600	SA	1
2	2		JC93-00734A	FRAME-TERMINAL; CLP-365W,SEC	SNA	15
3	2		JC93-00547A	FRAME BASE-PAPER PATH; CLP-365W,SEC	SA	1
4	2		JC91-01080A	FUSER; CLP-365W,SEC,WORLD,220V	SA	1
5	3		JC97-04058A	LSU; CLP-365W,SEC,Single,A4(Ltr),600,S2,7	SA	1
6	2		JC93-00729A	FRAME; CLP-365W,SEC	SNA	1
7	2		JC92-02489A	PBA-CONNECTOR; CLP-365W,SEC,CONNECTION,45	SA	1

# 5.1. FUSER

## Exploded View



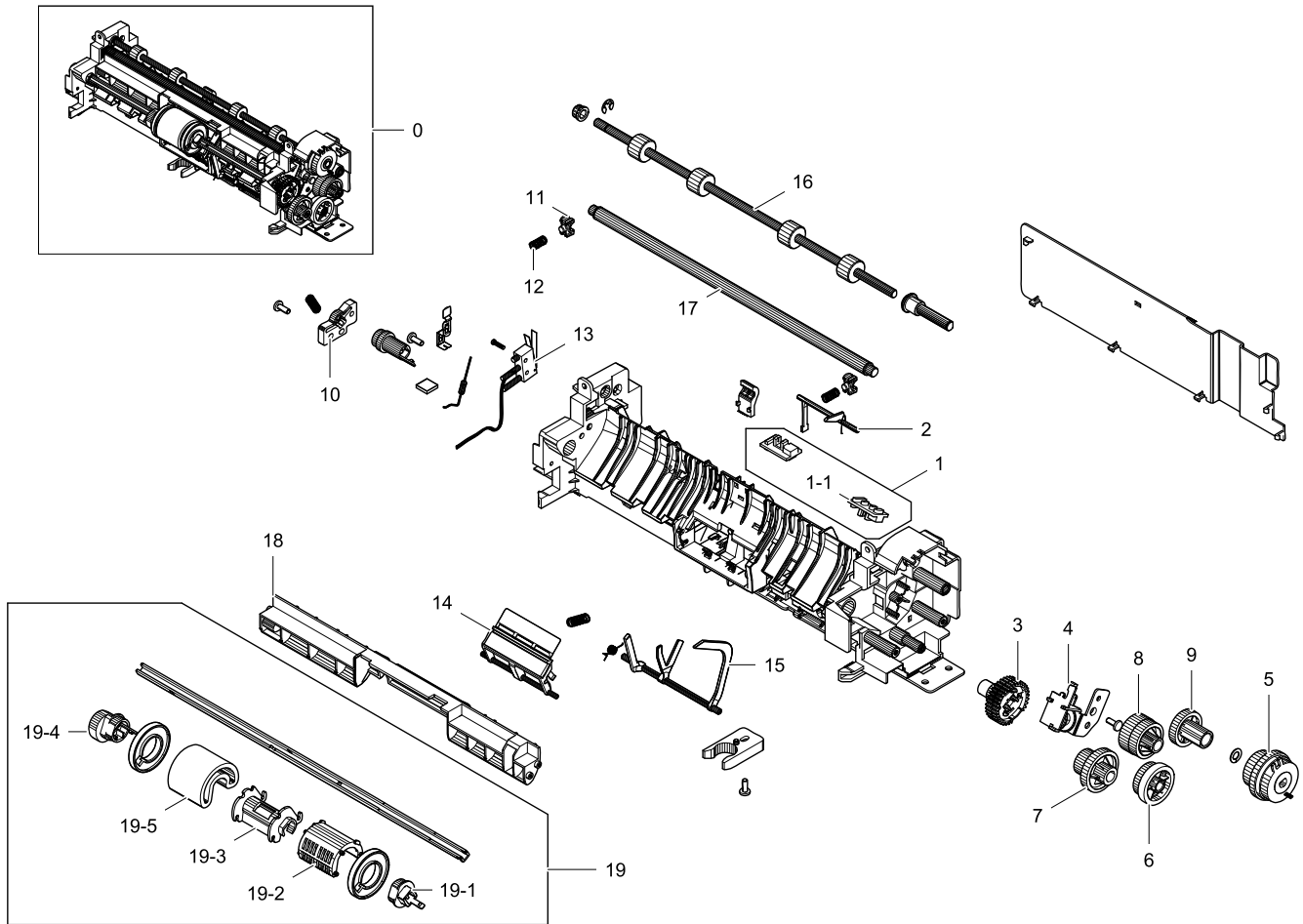
## Parts List

No.	Lvl.	Loc.	Material Code	Description & Specification	SNA	Qty.
0	2		JC91-01080A	FUSER; CLP-365W,SEC,WORLD,220V	SA	1
1	4	L9622	JC66-02716B	ROLLER-PRESSURE; ML-1660,8,SUM22 or SUM23	SA	1
2	4		JC61-04989A	GUIDE-INPUT; CLP-365W,PET+GF,LV2550GN30,P	SNA	1
3	4		1404-001740	THERMISTOR-NTC ASSY; 7Kohm,3370K,0.3mW/C,	SNA	1
4	4		JC66-03355A	GEAR-FUSER; CLP-365W,PPS,1,34,BROWN,36,13	SNA	1
5	4		JC61-04984A	BUSH-PR R; CLP-365W,PPS,6.1,BLACK,SEC,RBA	SNA	1
6	4		JC66-03326A	ROLLER-HEAT; CLP-360,23.2,AL3304-H34 or S	SNA	1
7	4		4713-001662	LAMP-HALOGEN; 230V,850W	SNA	1

No.	Lvl.	Loc.	Material Code	Description & Specification	SNA	Qty.
8	4		4712-001091	THERMOSTAT; AC125/250V,195+-5100	SNA	1
9	4	L7112	JC61-02423A	SPRING ETC-EXIT; CLP-310,SUS304 WPB,PI0.3	SA	2
10	4		JC66-03359A	ACTUATOR-EXIT; CLP-365W,PA,BLACK,ACTUATOR	SNA	1
11	4	L7540	6107-001507	SPRING-TS; SUS304,NATURAL,PI0.25,W5.3,ID4	SA	1
12	4		JC61-04990A	GUIDE-OUTPUT; CLP-365W,PET+GF,41.1,GF30%,	SNA	1
13	4		JC66-03871A	ROLLER-PRESSURE SHAFT; CLP-365W,9.6,SUM22	SNA	1
14	4		JC63-03522A	COVER-UPPER; CLP-365W,PC,SEC,NH-1035	SNA	1
15	4		JC61-04987A	FRAME-LOWER; CLP-365W,PET+GF,LV2550GN30,B	SNA	1
16	4		JC67-00674A	CAP-RESISTOR; CLP-365W,PC,46,14.7	SNA	1
17	4	H2699	JC39-00521A	CBF HARNESS-FUSER REC; SCX-5530FN,CBF,UL3	SA	1
18	4		JC39-01701A	HARNESS-FUSER AC; CLP-365W,UL3398,2p,BLK,	SNA	1

## 5.2. FRAME BASE-PAPER PATH

### Exploded View



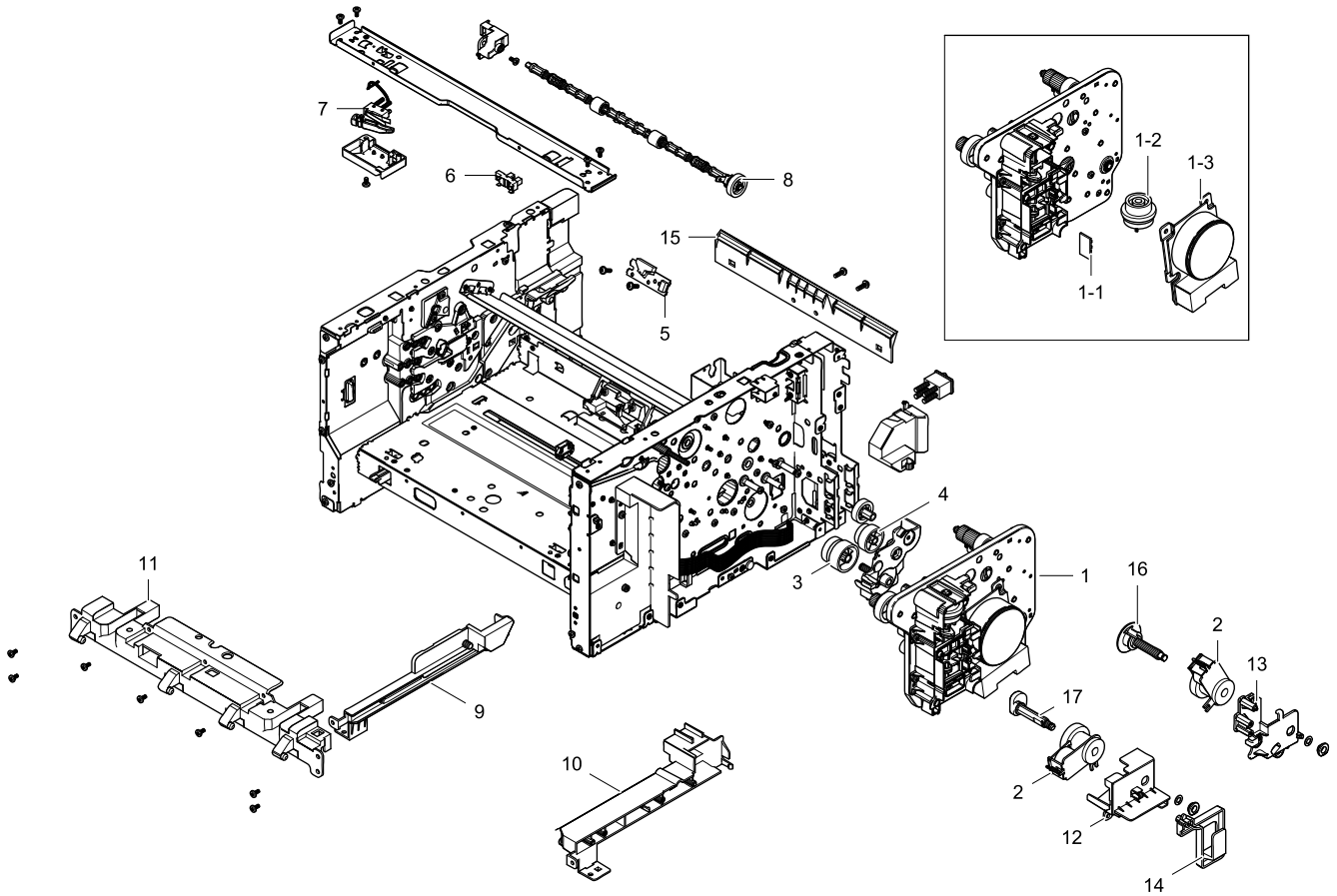
### Parts List

No.	Lvl.	Loc.	Material Code	Description & Specification	SNA	Qty.
0	2		JC93-00547A	FRAME BASE-PAPER PATH; CLP-365W,SEC	SA	1
1	3		JC98-01960A	BOARD-EMPTY SENSOR; CLP-360W,SEC,Photo-In	SNA	1
1-1	4		JC92-02508A	PBA-EMPTY SENSOR; CLP-365W,SEC,EMPTY SENS	SNA	2
2	3		JC66-03321A	ACTUATOR-FEED; CLP-360,ABS+PC,BLACK,ACTUA	SA	1
3	3		JC93-00549A	DRIVE-PICK UP; CLP-365W,SEC	SA	1
4	3	L6828	JC33-00025B	SOLENOID-MANUAL; SCX-5135ND,DC 24V,120ohm	SA	1
5	5		JC47-00033C	CLUTCH-ELECTRIC; 2.5,36,0.6,120mA,200Ohm	SA	1
6	3		JC66-03824A	GEAR-RDCN PH 3; CLP-365W,POM,M0.8 / M0.6,	SNA	1
7	3		JC66-03825A	GEAR-RDCN PICK-UP; CLP-365W,POM,M0.6 / M0	SNA	1

No.	Lvl.	Loc.	Material Code	Description & Specification	SNA	Qty.
8	3		JC66-03826A	GEAR-RDCN REGI; CLP-365W,POM,M0.6 / M0.6,	SNA	1
9	3		JC66-03813A	GEAR-IDLE REGI; CLP-365W,POM,M0.6,Z35,NAT	SNA	1
10	3	C5143	JC61-01548A	HOLDER-M-CAM; CLP-300,POM (DE8903),18.5,2	SA	1
11	3		JC61-05049A	HOLDER-SHAFT IDLE; CLP-365W,POM,NATURAL	SNA	2
12	3	L7445	6107-001309	SPRING-CS; SWP-B,PI0.5,L10,ID4.0,OD5.0	SA	2
13	4		JC39-01704A	HARNES-COVER S/W; CLP-365W,UL10272,2p,BL	SA	1
14	3		JC93-00555A	FRAME BASE-HOLDER PAD; CLP-365W,SEC	SNA	1
15	3		JC66-03322A	ACTUATOR-EMPTY; CLP-360,ABS+PC,BLACK,ACTU	SA	1
16	3		JC66-03317A	ROLLER-REGI; CLP-360,EPDM,SUM22,6	SA	1
17	3		JC66-03899A	SHAFT-FEED IDLE_C; CLP-360,SUM 22,237,8.0	SNA	1
18	3		JC61-05648A	GUIDE-PATH LOWER; CLP-365W,ABS,1.5,20,222	SNA	1
19	3		JC93-00553A	FRAME BASE-PICK UP; CLP-365W,SEC	SA	1
19-1	4	G1665	JC61-01714A	STOPPER-PICK_UP L; ML-2571N,POM,D17,20,NA	SA	1
19-2	4		JC61-05815A	HOUSING-PICKUP A; CLP-365W,ABS+PC,25.7,32	SA	1
19-3	4	C5342	JC61-02389A	HOUSING-PICKUP B; CLP-310,POM F20-02,1.0,	SA	1
19-4	4		JC66-03786A	CAM-CTD; CLP-365W,POM,1.2,NATURAL,Right	SNA	1
19-5	4		JC73-00309A	RUBBER-PICK_UP; CLP-310,EPDM	SA	1

### 5.3. FRAME

#### Exploded View



#### Parts List

No.	Lvl.	Loc.	Material Code	Description & Specification	SNA	Qty.
1	4		JC93-00714A	DRIVE; CLP-365W,SEC,WORLD	SA	1
1-1	5	K4920	JC92-01986A	PBA SUB-DEVEHOME; CLP-310,SEC,SEC,FR-1,1L	SA	1
1-2	5		JC47-00033C	CLUTCH-ELECTRIC; 2.5,36,0.6,120mA,200Ohm	SA	1
1-3	5	L9654	JC31-00091B	MOTOR BLDC; 48M843D010B/BL55K-M01,1443.82	SA	1
2	3	H3697	JC47-00007F	CLUTCH-ITB CAM; 8,33,0.8,133mA,180Ohm	SA	2
3	3		JC66-03829A	GEAR-RDCN PH 2; CLP-365W,POM,M0.5 / M0.8,	SA	1
4	3		JC66-03828A	GEAR-RDCN T2 CAM; CLP-365W,POM,M0.5 / M0.	SA	1
5	4		JC32-00014A	SENSOR-CTD; SENSOR-CTD,0 ~ 60,5V,6.62mA,r	SA	1
6	4	L9633	0604-001415	PHOTO-INTERRUPTER; TR,DIP-4,BK	SA	1
7	4		JC39-01704A	HARNESS-COVER S/W; CLP-365W,UL10272,2p,BL	SA	1

No.	Lvl.	Loc.	Material Code	Description & Specification	SNA	Qty.
8	3		JC91-01078A	FUSER-ROLLER EXIT; CLP-360,SEC,WORLD	SA	1
9	3		JC61-05650A	GUIDE-CASSETTE L; CLP-365W,HIPS,1.5,33.86	SNA	1
10	3		JC61-05649A	GUIDE-CASSETTE R; CLP-365W,HIPS,1.5,35.85	SNA	1
11	3		JC61-05677A	GUIDE-BASE FRONT HINGE; CLP-365W,HIPS,2,3	SA	1
12	3		JC61-05753A	HOLDER-CLUTCH_ITB; CLP-365W,ABS,2,45,54.8	SNA	1
13	3		JC61-05758A	HOLDER-T2 CLUTCH; CLP-365W,HIPS,2,85.1,69	SNA	1
14	3		JC61-04960A	HOUSING-HARNESSE; CLP-365W,HIPS,2.0T,BLACK	SNA	1
15	3		JC61-05647A	GUIDE-PATH UPPER; CLP-365W,HIPS,1.5,30.35	SNA	1
16	3		JC66-03790A	SHAFT-COUPLER; CLP-365,POM,52,17,WHITE,HB	SNA	1
17	3		JC66-03349A	SHAFT-ITB CLEAN CAM C; CLP-365W,POM,L47.1	SNA	1