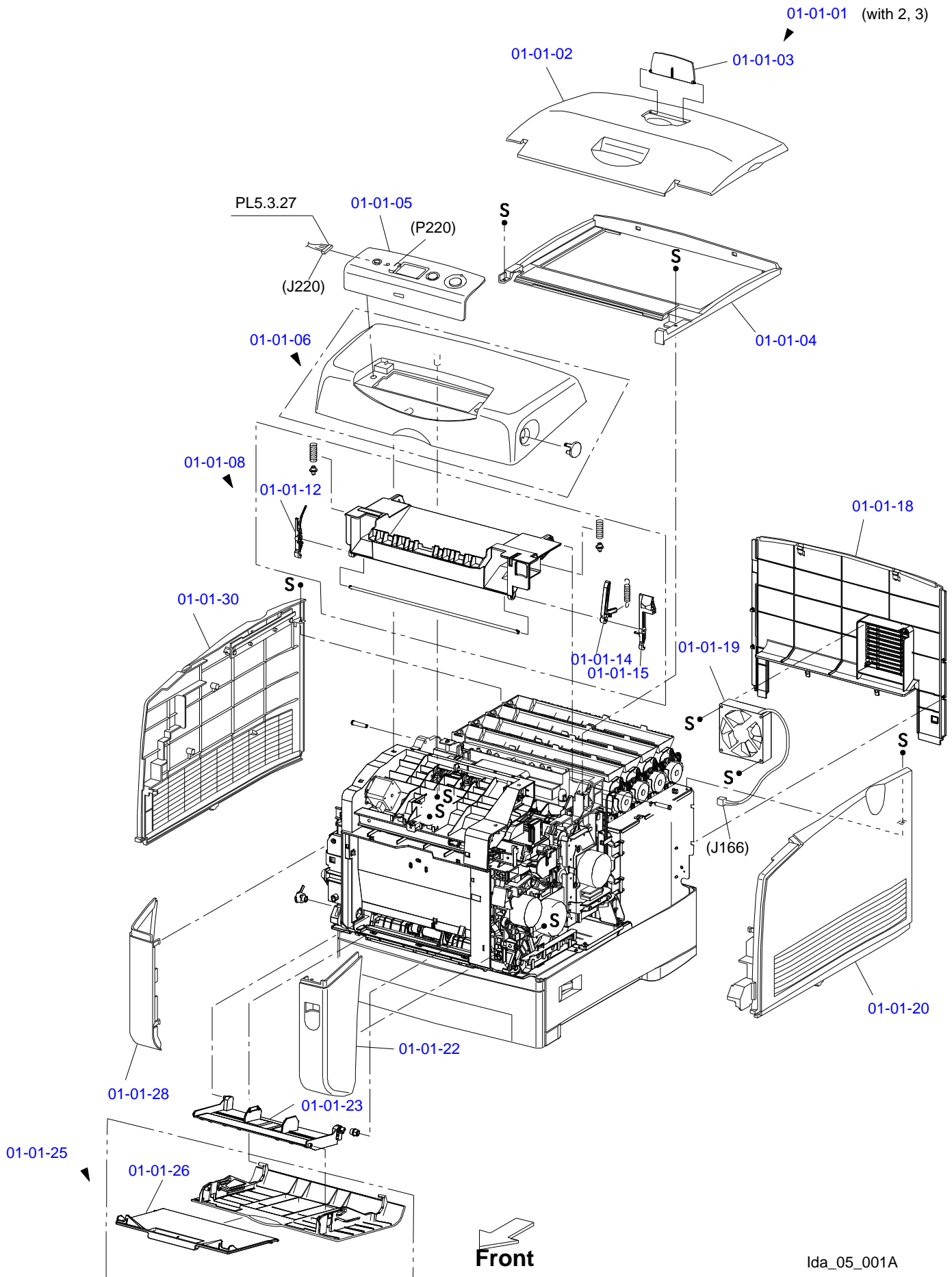


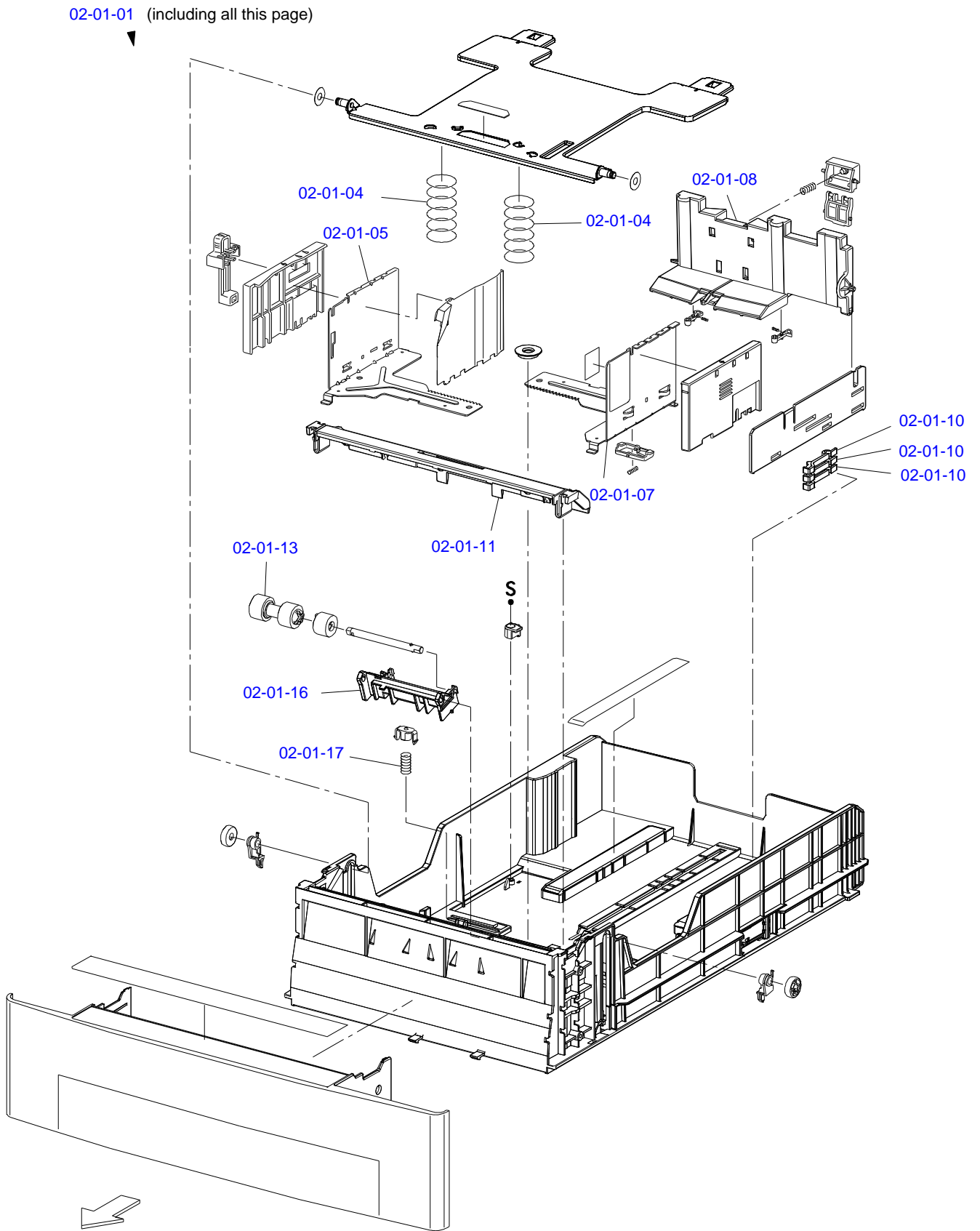
C600-CASE-001

The parts to which no reference number is assigned will not be available as after-sale service parts.



C600-MECH-001

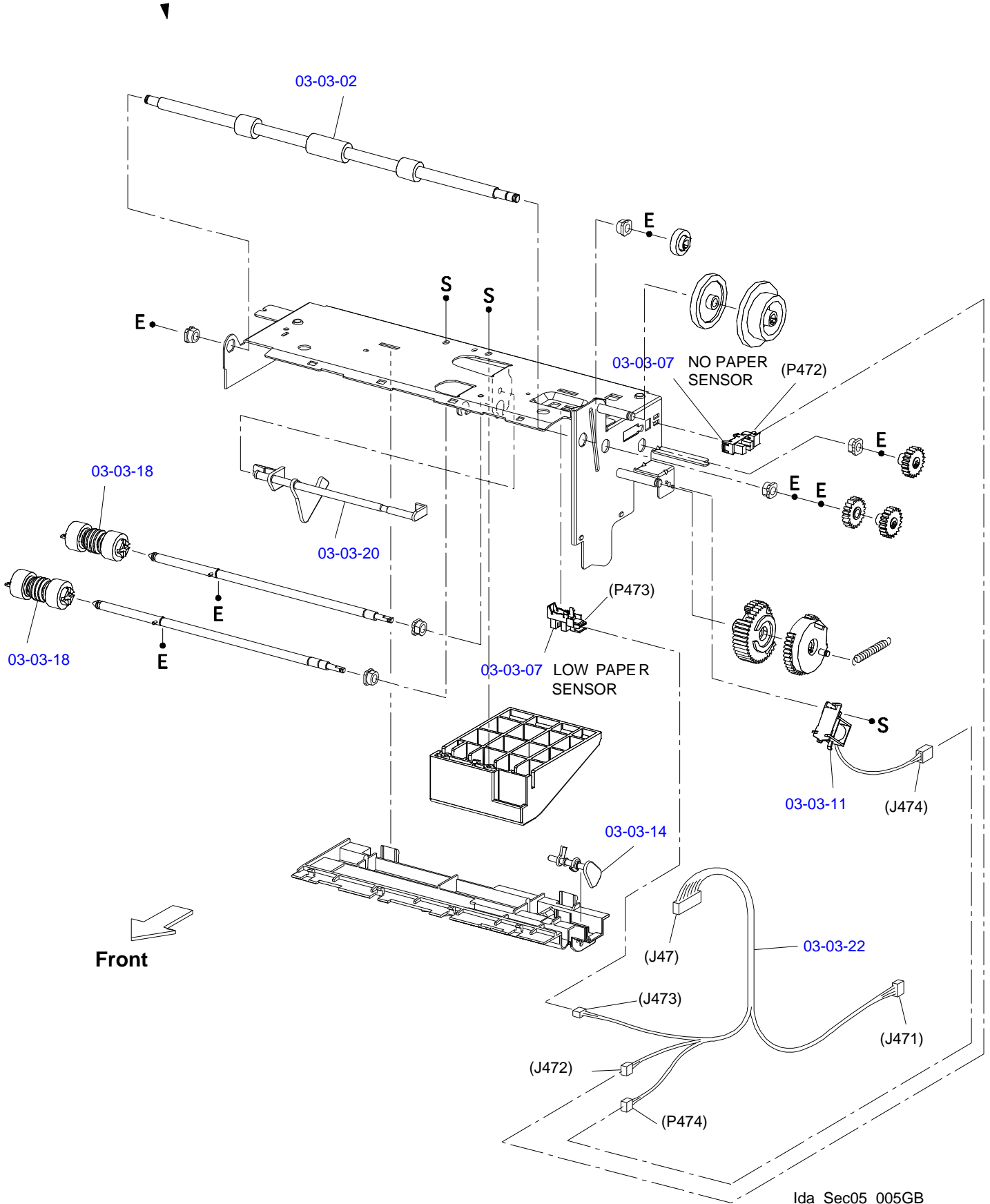
The parts to which no reference number is assigned will not be available as after-sale service parts.



Ida_05_002A

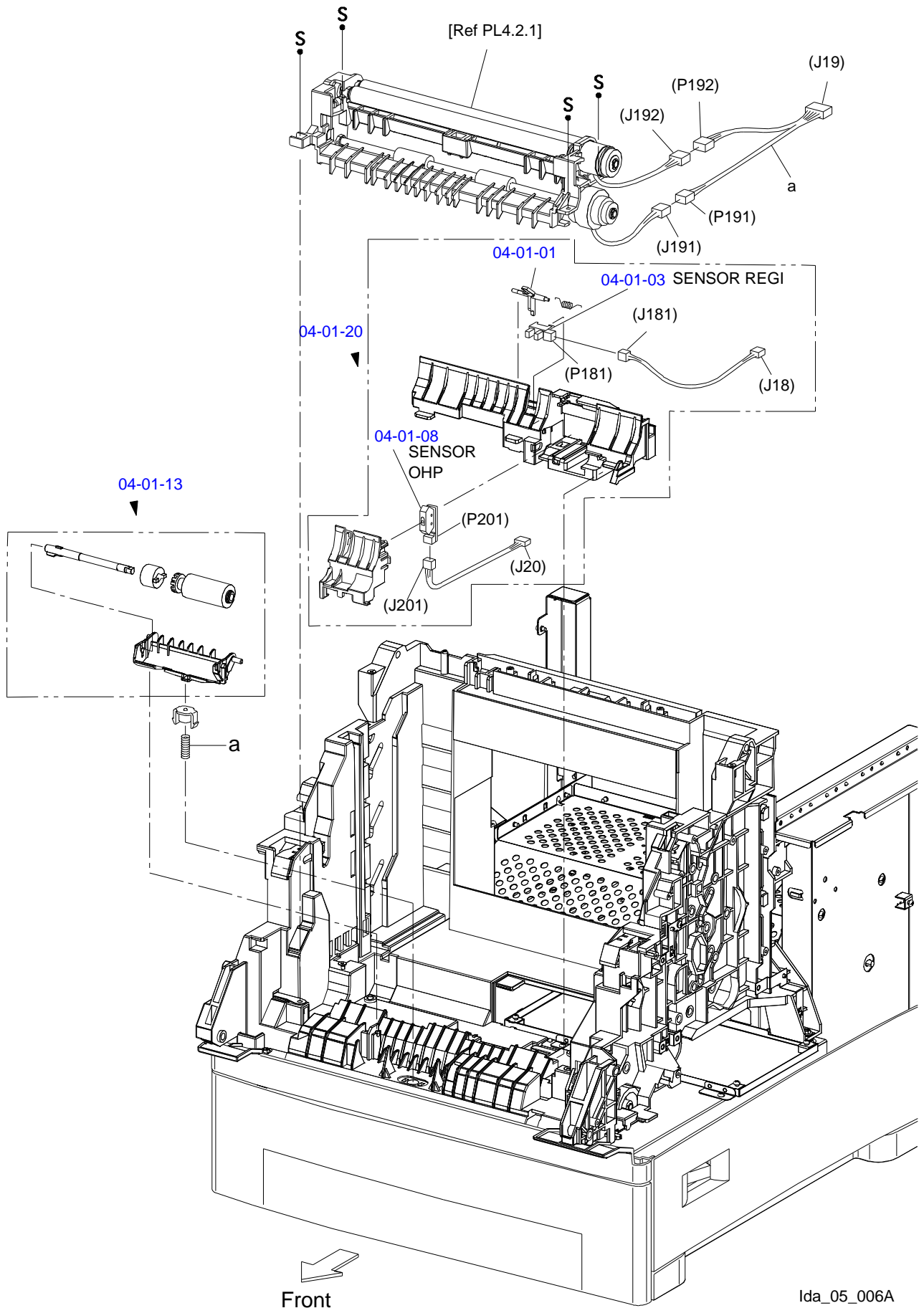
The parts to which no reference number is assigned will not be available as after-sale service parts.

03-03-01 (including all number except 22)



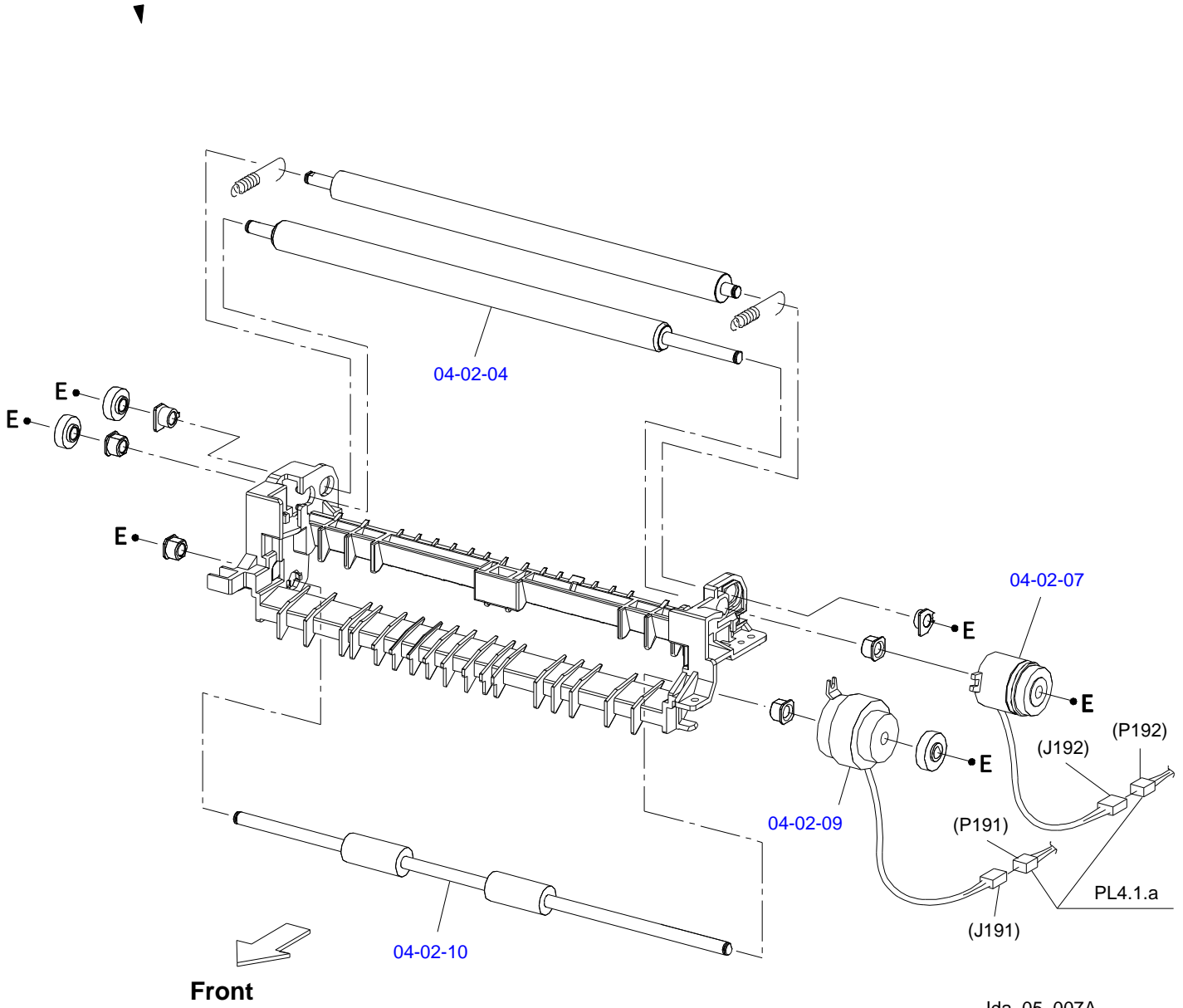
Ida_Sec05_005GB

The parts to which no reference number is assigned will not be available as after-sale service parts.

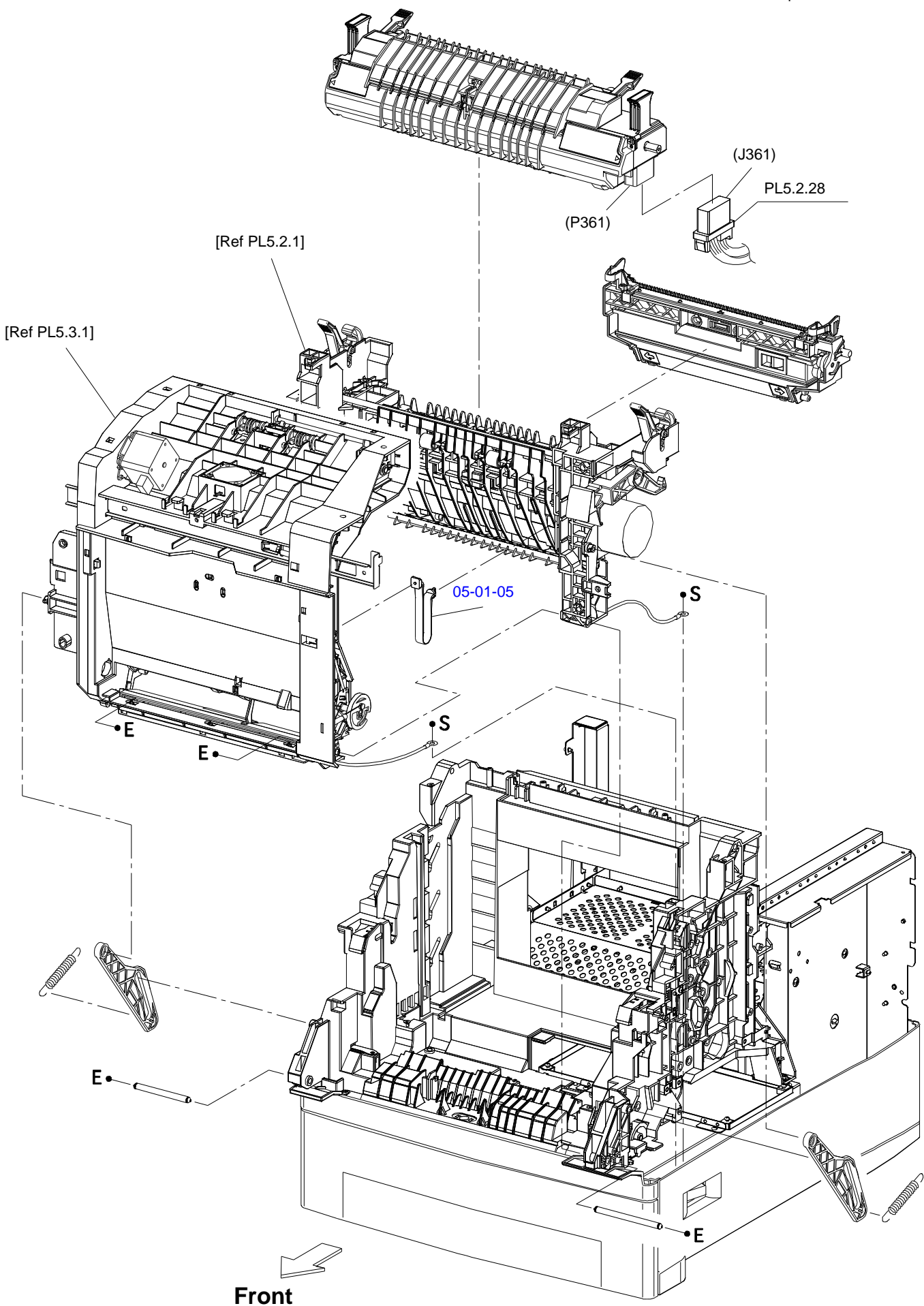


Ida_05_006A

04-02-01 (including all this page+PL4.1.a)



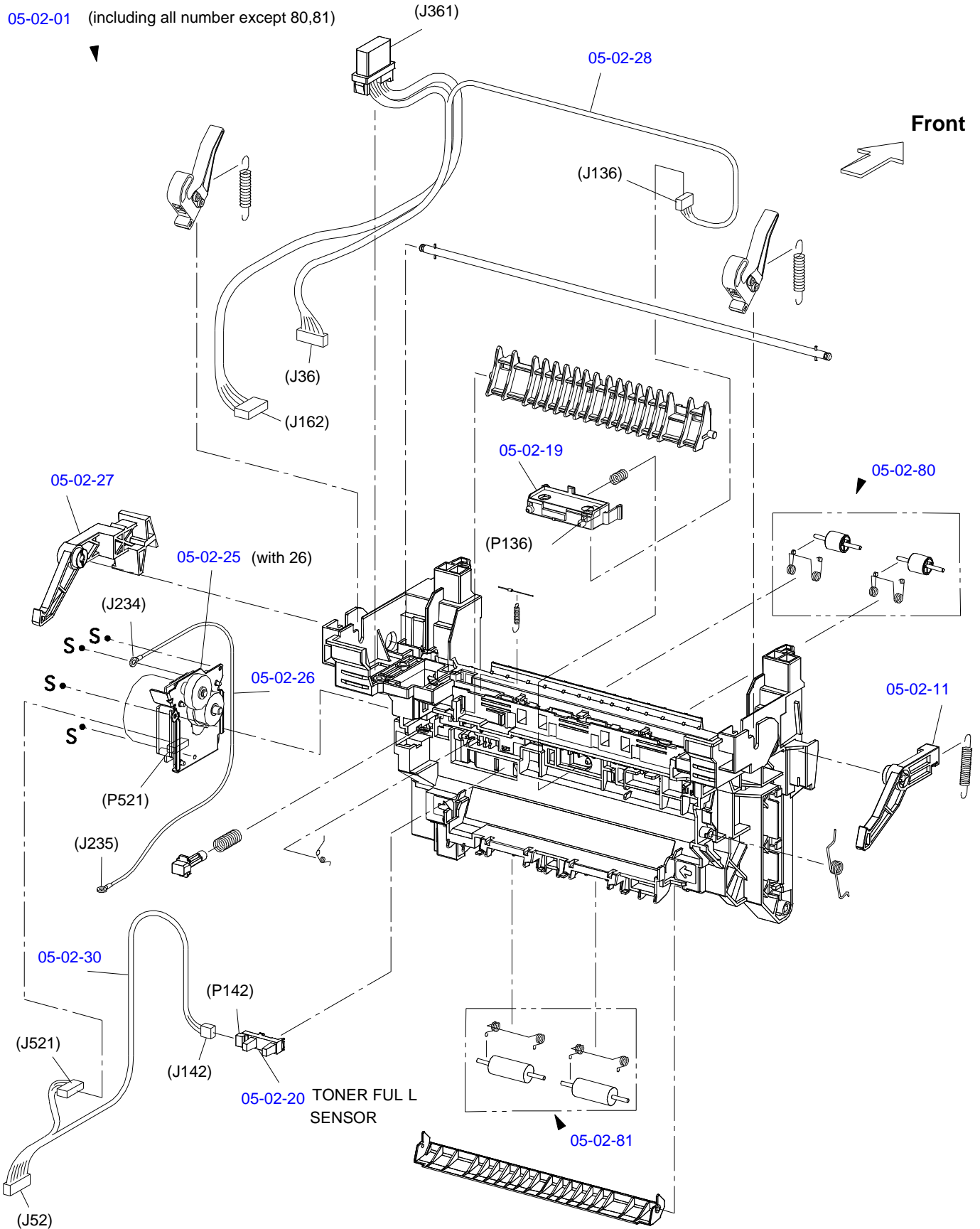
The parts to which no reference number is assigned will not be available as after-sale service parts.



C600-MECH-008

The parts to which no reference number is assigned will not be available as after-sale service parts.

05-02-01 (including all number except 80,81)

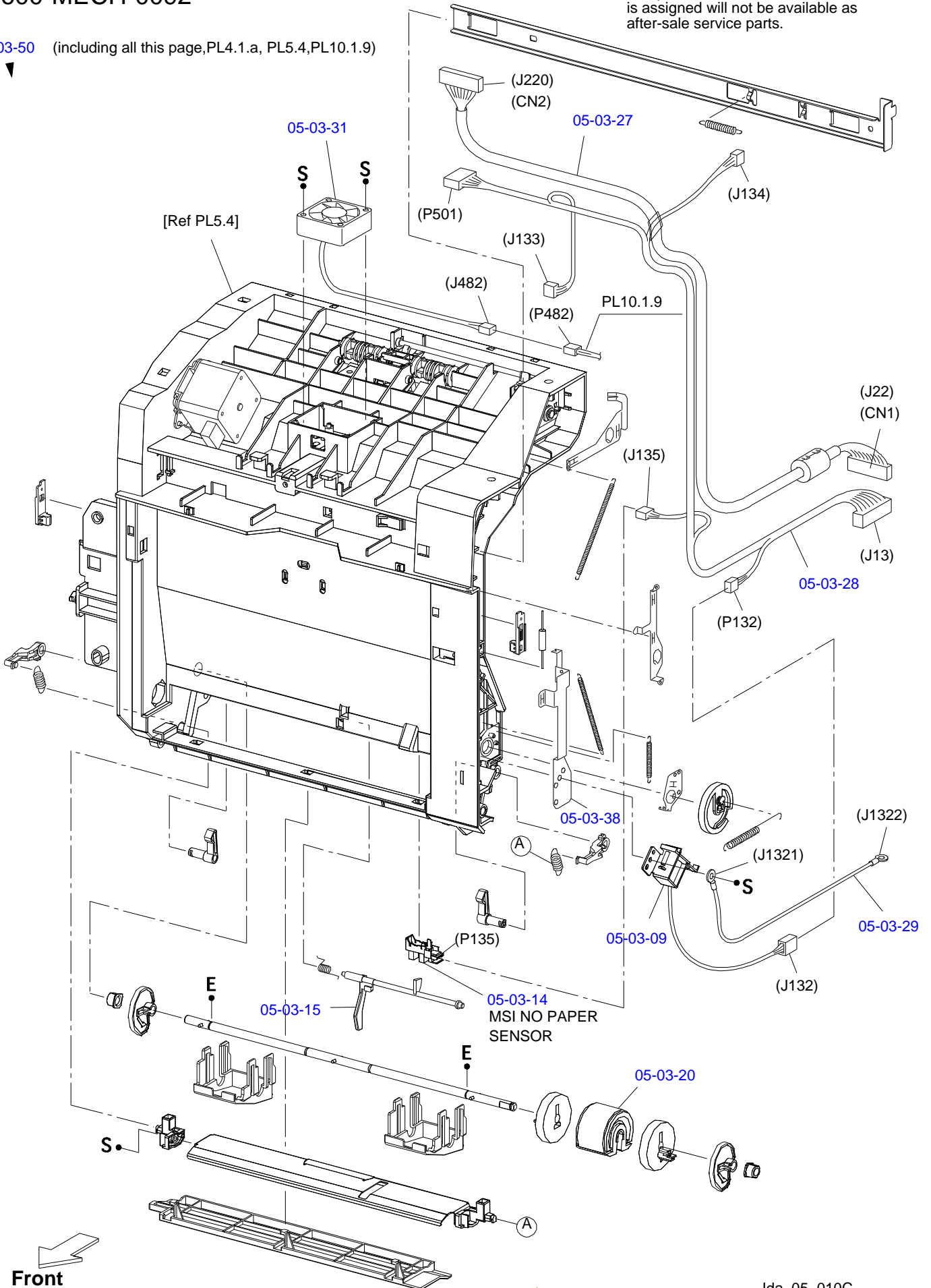


Ida_05_009A

C600-MECH-0092

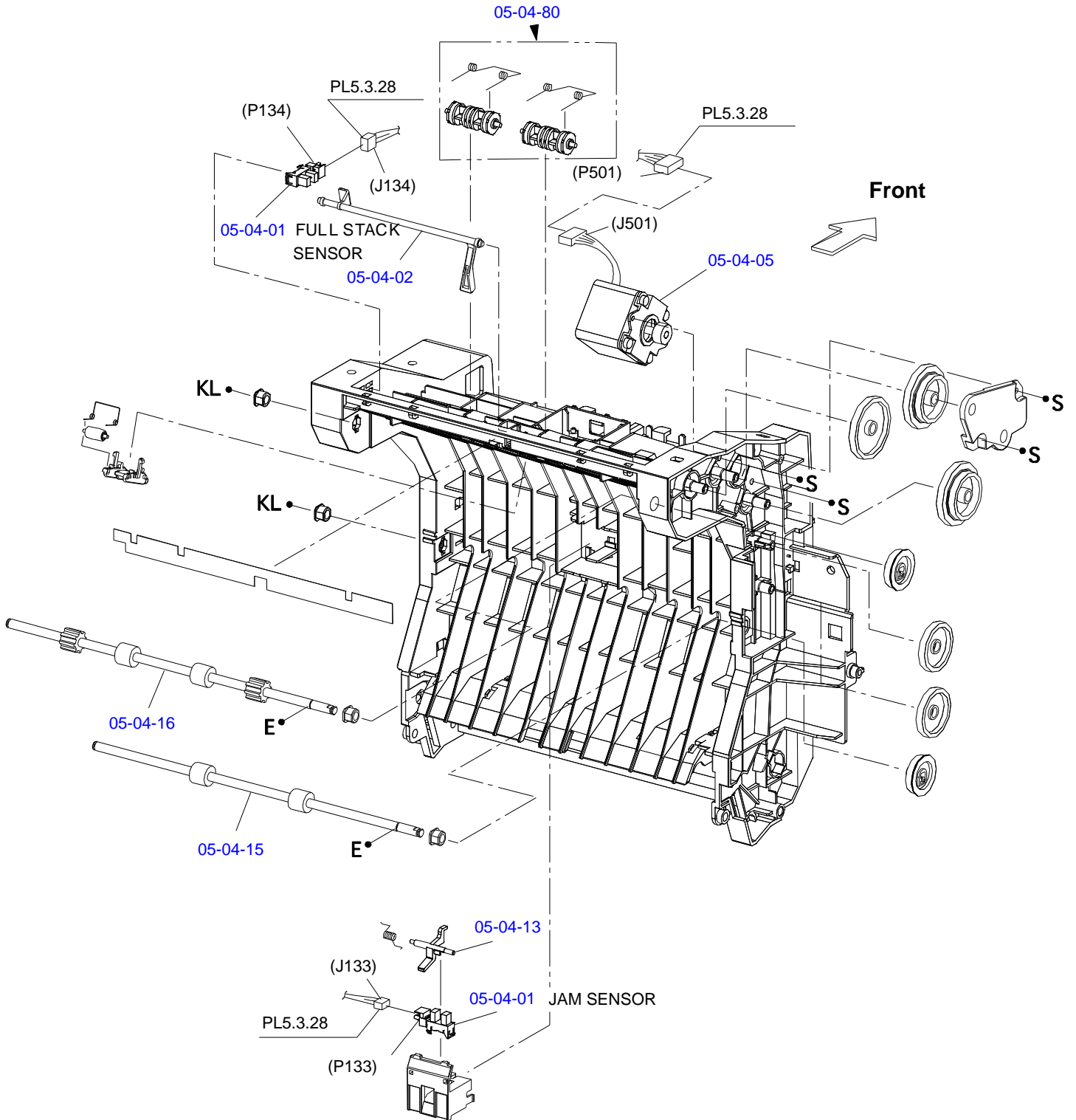
The parts to which no reference number is assigned will not be available as after-sale service parts.

05-03-50 (including all this page, PL4.1.a, PL5.4, PL10.1.9)



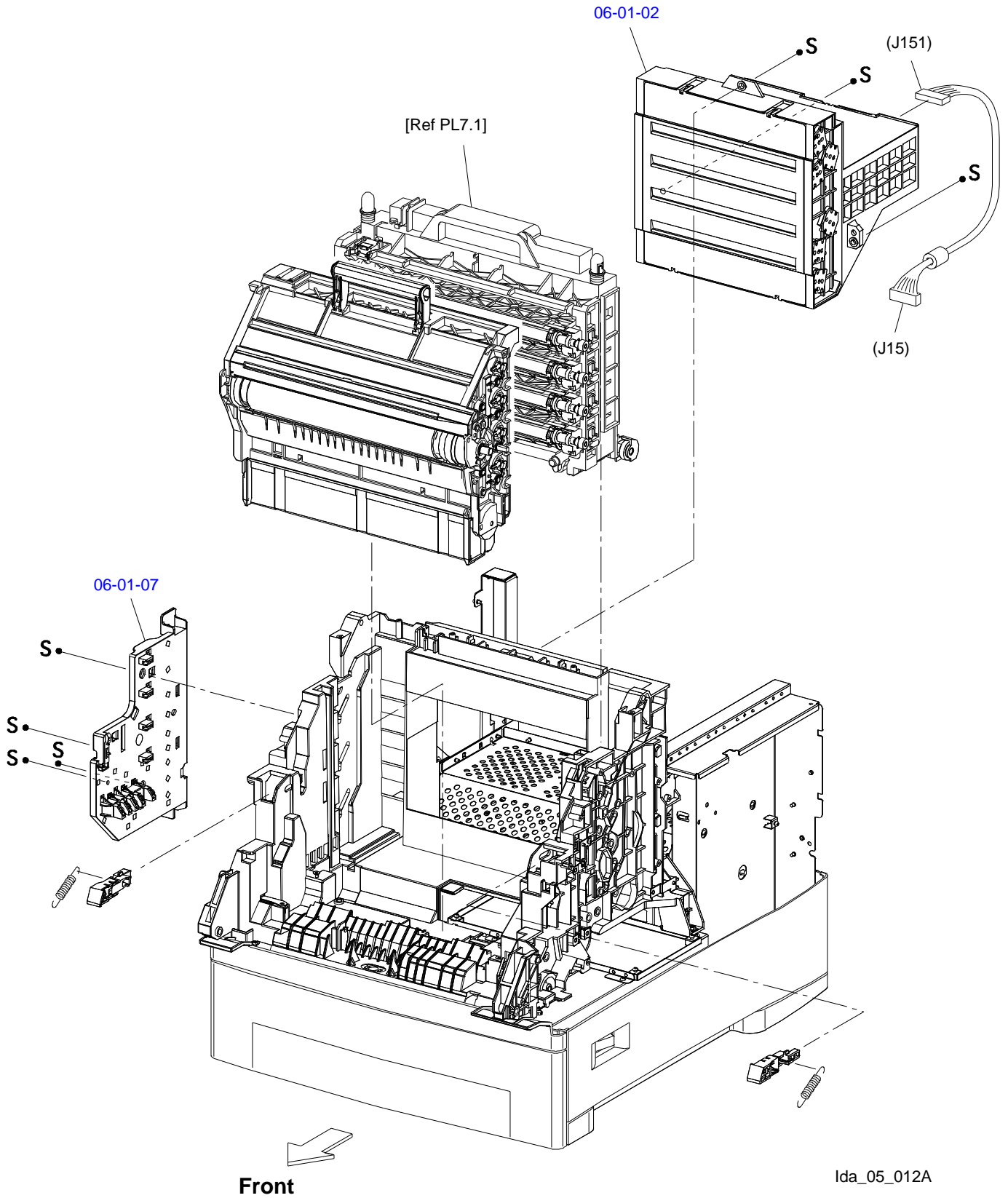
Front

Ida_05_010C

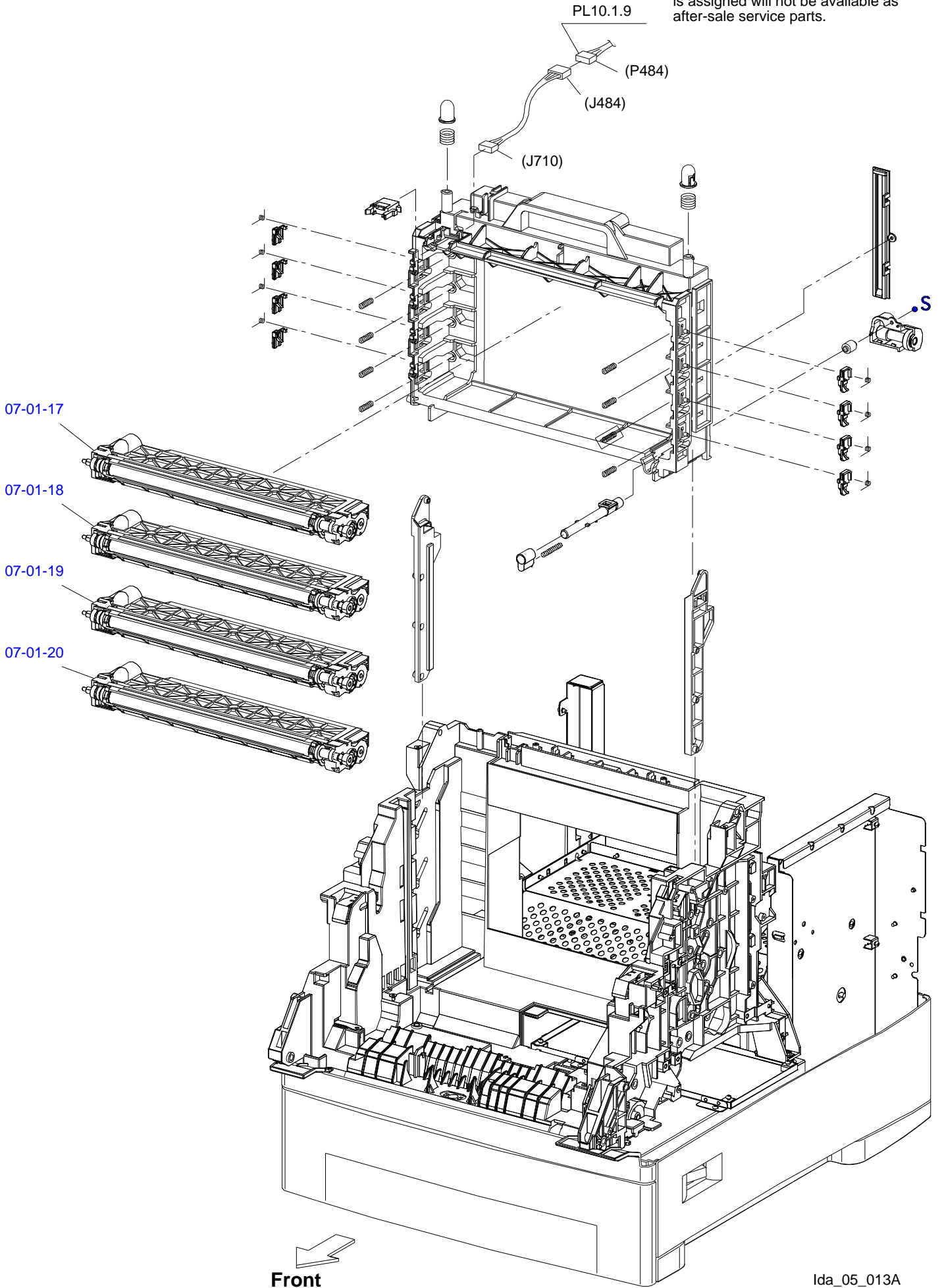


Ida_05_011A

The parts to which no reference number is assigned will not be available as after-sale service parts.



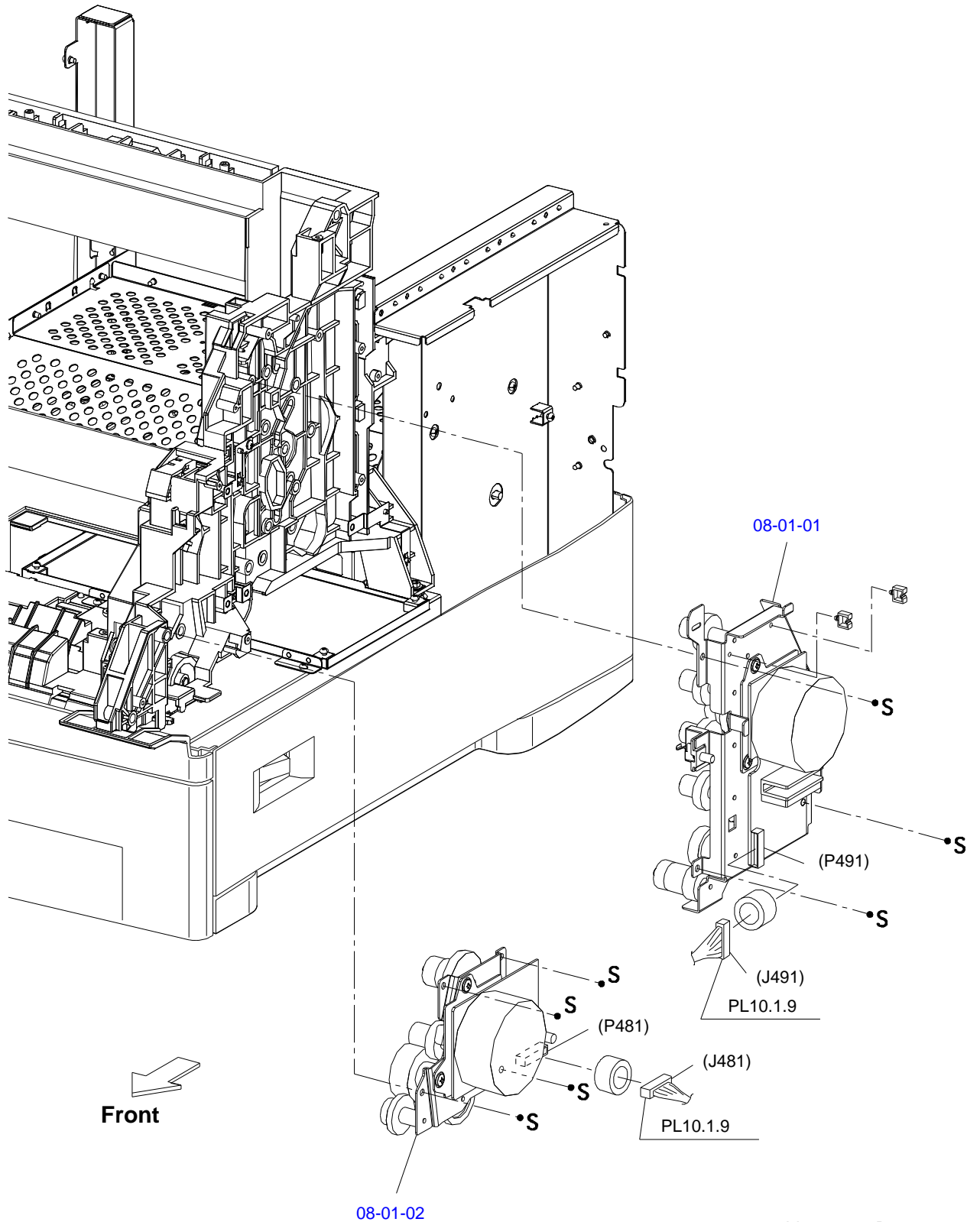
The parts to which no reference number is assigned will not be available as after-sale service parts.



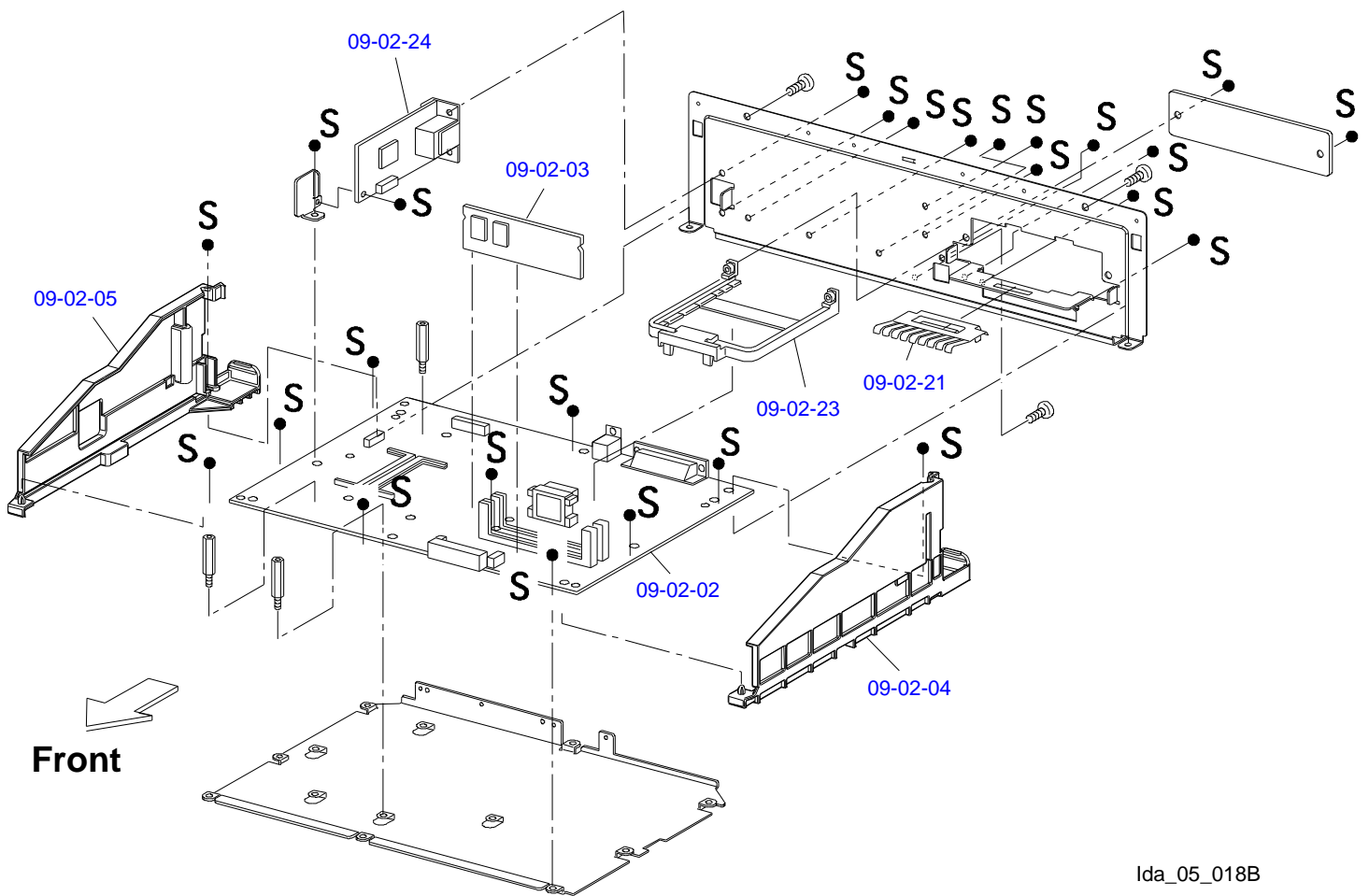
Ida_05_013A

C600-MECH-014

The parts to which no reference number is assigned will not be available as after-sale service parts.



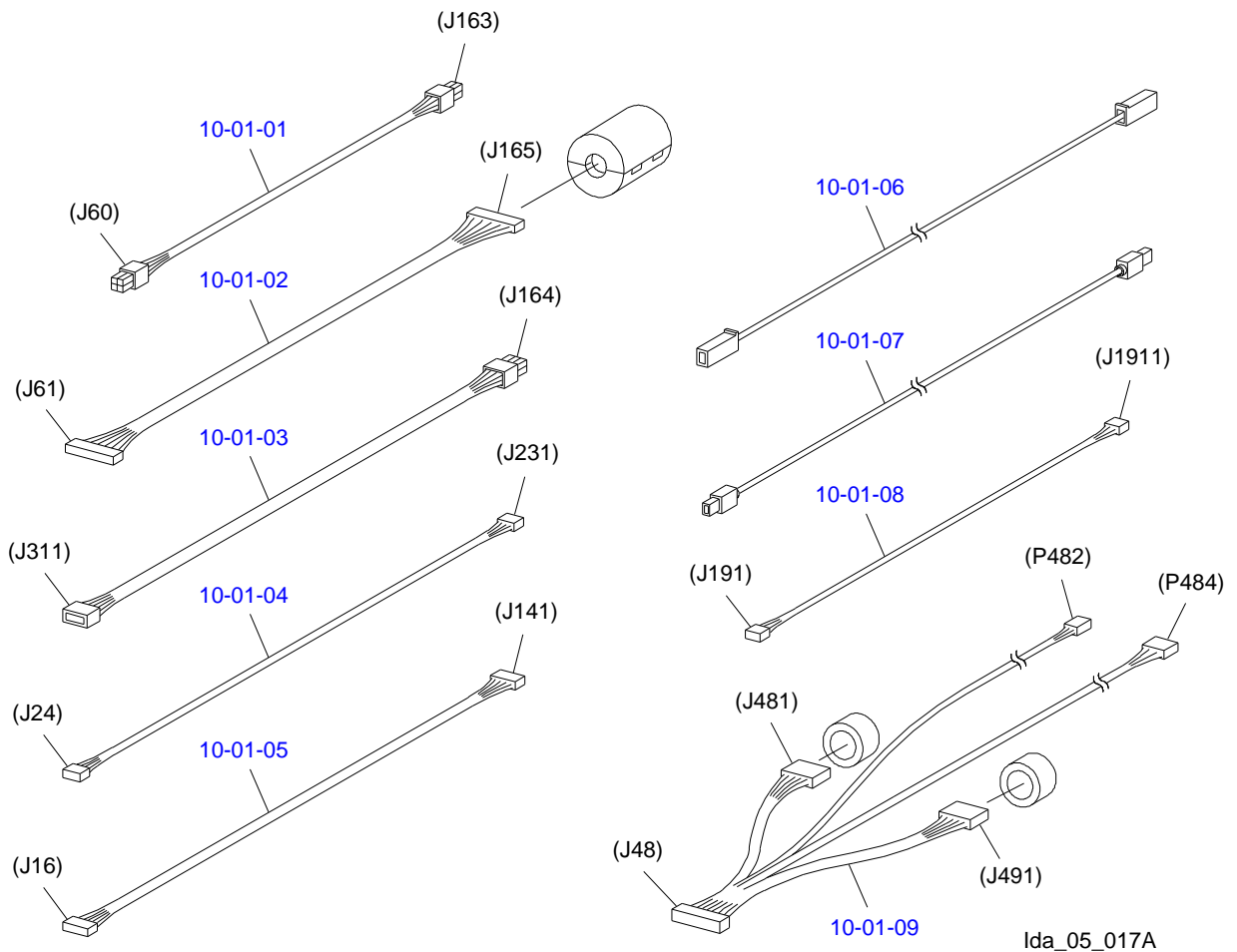
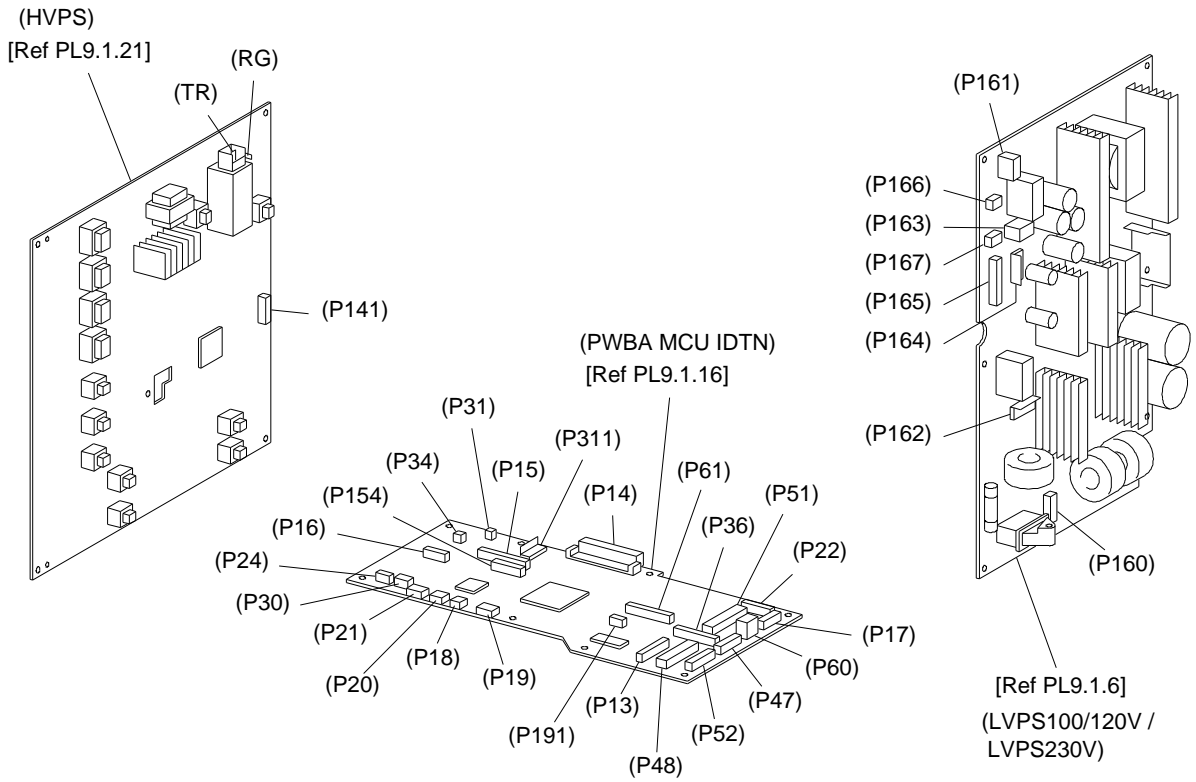
Ida_05_015B



Ida_05_018B

C600-MECH-016

The parts to which no reference number is assigned will not be available as after-sale service parts.



Ida_05_017A

Part Code	Part Name	Ref No.	Category	Qty	Remark
3101157	SOFTWARE CD,E	NON FIG	Accessories	1	EHK / EAL
4104632	SETTING UP MANUAL	NON FIG	Accessories	1	EHK / EAL
1408937	COVER ASSY TOP	01-01-01	Case	1	
1410100	COVER TOP	01-01-02	Case	1	
1408938	COVER TOP STOPPER	01-01-03	Case	1	
1410101	COVER TOP MAIN	01-01-04	Case	1	
2094184	CONTROL PANEL	01-01-05	Case	1	
1408939	COVER ASSY FRONT HEAD	01-01-06	Case	1	
1408940	COVER ASSY TOP PHD	01-01-08	Case	1	
1411362	LATCH TOP L	01-01-12	Case	1	
1411363	LATCH TOP IR R	01-01-14	Case	1	
1411365	LATCH TOP R	01-01-15	Case	1	
1408941	COVER REAR	01-01-18	Case	1	
2103393	FAN REAR	01-01-19	Case	1	
1408942	COVER SIDE R ASSY	01-01-20	Case	1	
1408944	COVER FRONT R	01-01-22	Case	1	
1408945	TRAY ASSY MSI BASE	01-01-23	Case	1	
1408952	COVER ASSY MSI	01-01-25	Case	1	
1411366	TRAY MSI SLIDE	01-01-26	Case	1	
1408975	COVER FRONT L ASSY	01-01-28	Case	1	
1408999	COVER SIDE L ASSY	01-01-30	Case	1	
2103362	BOARD ASSY., MAIN	09-02-02	Electronic Parts	1	
2101253	BOARD ASSY.,MEMORY	09-02-03	Electronic Parts	1	
1411383	PANEL ESS L	09-02-04	Electronic Parts	1	
1411384	PANEL ESS R	09-02-05	Electronic Parts	1	
1420660	SPRING EARTH TYPE B	09-02-21	Electronic Parts	1	
1012848	GUIDE RAIL	09-02-23	Electronic Parts	1	
2085196	NETWORK BOARD	09-02-24	Electronic Parts	1	
1427119	CASSETTE ASSY 500	02-01-01	Mechanism Parts	1	
1411367	SPRING N/F	02-01-04	Mechanism Parts	2	
1409129	GUIDE SIDE L	02-01-05	Mechanism Parts	1	
1409130	GUIDE SIDE R	02-01-07	Mechanism Parts	1	
1409131	GUIDE END	02-01-08	Mechanism Parts	1	
1110103	ACTUATOR SIZE	02-01-10	Mechanism Parts	3	
1411369	CHUTE TURN CST	02-01-11	Mechanism Parts	1	
1409134	ROLL ASSY RETARD	02-01-13	Mechanism Parts	1	
1411370	HOLDER RETARD	02-01-16	Mechanism Parts	1	
1411372	SPRING RETARD	02-01-17	Mechanism Parts	1	
1411373	SCREW M3X110	03-01-10	Mechanism Parts	3	
1110111	STOPPER CST	03-02-03	Mechanism Parts	1	
1231706	FOOT	03-02-04	Mechanism Parts	4	
2103394	SWITCH ASSY SIZE	03-02-05	Mechanism Parts	1	
2104490	HARNESS ASSY OPFPLG	03-02-11	Mechanism Parts	1	
1409135	CHUTE ASSY FEEDER	03-02-12	Mechanism Parts	1	
1409136	COVER CST	03-02-13	Mechanism Parts	1	
1411375	KIT FEEDER L	03-02-80	Mechanism Parts	1	
2104491	KIT FEEDER R	03-02-81	Mechanism Parts	1	
2103400	PICK UP ASSY	03-03-01	Mechanism Parts	1	

1409138	ROLL ASSY TURN	03-03-02	Mechanism Parts	1
2026720	EXIT SENSOR	03-03-07	Mechanism Parts	2
2090547	SOLENOID FEED	03-03-11	Mechanism Parts	1
1409139	ACTUATOR LOW PAPER	03-03-14	Mechanism Parts	1
1409140	ROLL ASSY FEED	03-03-18	Mechanism Parts	2
1409141	ACTUATOR NO PAPER	03-03-20	Mechanism Parts	1
2104492	HARNESS ASSY FDR	03-03-22	Mechanism Parts	1
1409142	ACTUATOR REGI	04-01-01	Mechanism Parts	1
2091186	SENSOR UPPER PASS	04-01-03	Mechanism Parts	1
2103363	SENSOR OHP	04-01-08	Mechanism Parts	1
1409143	HOLDER ASSY RETARD	04-01-13	Mechanism Parts	1
2103364	CHUTE ASSY REGI IN	04-01-20	Mechanism Parts	1
2103365	CHUTE ASSY REGI	04-02-01	Mechanism Parts	1
1409144	ROLL REGI RUBBER	04-02-04	Mechanism Parts	1
2103366	CLUTCH REGI	04-02-07	Mechanism Parts	1
2103367	CLUTCH TURN	04-02-09	Mechanism Parts	1
1409145	ROLL TURN MSI	04-02-10	Mechanism Parts	1
1409146	STRAP	05-01-05	Mechanism Parts	1
2103371	CHUTE ASSY DUP IN	05-02-01	Mechanism Parts	1
1411376	LATCH L	05-02-11	Mechanism Parts	1
2103373	HOLDER ASSY CTD	05-02-19	Mechanism Parts	1
2103374	SENSOR TNR FULL	05-02-20	Mechanism Parts	1
2103375	DRIVE ASSY FUSER	05-02-25	Mechanism Parts	1
2104493	WIRE ASSY FSR EARTH	05-02-26	Mechanism Parts	1
1411377	LATCH R	05-02-27	Mechanism Parts	1
2104494	HARNESS ASSY FSR/ADC	05-02-28	Mechanism Parts	1
2104495	HARNESS ASSY TNRFULL/FSR	05-02-30	Mechanism Parts	1
1411378	KIT ROLL PINCH DUP	05-02-80	Mechanism Parts	2
1411379	KIT ROLL PINCH TURN	05-02-81	Mechanism Parts	2
2108054	KIT MSI SE	05-03-01	Mechanism Parts	1
2103377	SOLENOID FEED MSI	05-03-09	Mechanism Parts	1
2091186	SENSOR UPPER PASS	05-03-14	Mechanism Parts	1
1409147	ACTUATOR NO PAPER MSI	05-03-15	Mechanism Parts	1
1409148	ROLL ASSY FEED	05-03-20	Mechanism Parts	1
2104996	HARNESS ASSY OPEPANE SE	05-03-27	Mechanism Parts	1
2104496	HARNESS ASSY FRONT/DUP	05-03-28	Mechanism Parts	1
2104497	WIRE ASSY DUP EARTH	05-03-29	Mechanism Parts	1
2103378	FAN FRONT	05-03-31	Mechanism Parts	1
1411381	PLATE EARTH OUT3	05-03-38	Mechanism Parts	1
2091186	SENSOR UPPER PASS	05-04-01	Mechanism Parts	2
1409149	ACTUATOR FULL STACK	05-04-02	Mechanism Parts	1
2103379	MOTOR ASSY DUP 17PM	05-04-05	Mechanism Parts	1
1111868	ACTUATOR DUP	05-04-13	Mechanism Parts	1
1409150	ROLL DUP	05-04-15	Mechanism Parts	1
1409151	ROLL EXIT	05-04-16	Mechanism Parts	1
2104498	KIT ROLL PINCH EXIT	05-04-80	Mechanism Parts	2
2109487	ROS ASSY	06-01-02	Mechanism Parts	1
1411382	HSG ASSY BIAS	06-01-07	Mechanism Parts	1
1409152	DEVE ASSY(Y)	07-01-17	Mechanism Parts	1
1409153	DEVE ASSY(M)	07-01-18	Mechanism Parts	1

1409154	DEVE ASSY(C)	07-01-19	Mechanism Parts	1	
1409155	DEVE ASSY(K)	07-01-20	Mechanism Parts	1	
1409156	DISPENSER ASSY(Y)	07-02-01	Mechanism Parts	1	
1409157	DISPENSER ASSY(M)	07-02-02	Mechanism Parts	1	
1409158	DISPENSER ASSY(C)	07-02-03	Mechanism Parts	1	
1409159	DISPENSER ASSY(K)	07-02-04	Mechanism Parts	1	
2103381	SENSOR NO TNR	07-02-05	Mechanism Parts	4	
2103659	BOX ASSY CRUM READER	07-02-12	Mechanism Parts	1	
2104499	HARNESS ASSY FDID2	07-02-16	Mechanism Parts	1	
2104500	HARNESS ASSY FDID	07-02-17	Mechanism Parts	1	
2104502	HARNESS ASSY TMR	07-02-18	Mechanism Parts	1	
2103382	DRIVE ASSY DEVE	08-01-01	Mechanism Parts	1	
2103383	DRIVE ASSY MAIN	08-01-02	Mechanism Parts	1	
2103385	LVPS 230V	09-01-06	Mechanism Parts	1	
2104501	HARNESS ASSY AC INLET	09-01-07	Mechanism Parts	1	
2103386	PWBA EEPROM	09-01-12	Mechanism Parts	1	
2071871	CLAMP GUIDE HARNESS	09-01-13	Mechanism Parts	4	
2103387	PWBA MCU IDTN	09-01-16	Mechanism Parts	1	
2103388	SENSOR HUM	09-01-20	Mechanism Parts	1	
2103396	HVPS	09-01-21	Mechanism Parts	1	
2087700	POWER CABLE	09-01-23	Mechanism Parts	1	EAL
2104503	HARNESS ASSY 24V	10-01-01	Mechanism Parts	1	
2104504	HARNESS ASSY LV	10-01-02	Mechanism Parts	1	
2104505	HARNESS ASSY LV RPG	10-01-03	Mechanism Parts	1	
2104506	HARNESS ASSY TMP	10-01-04	Mechanism Parts	1	
2104507	HARNESS ASSY HVPS	10-01-05	Mechanism Parts	1	
2104509	WIRE ASSY BTR	10-01-06	Mechanism Parts	1	
2104510	WIRE ASSY REGI	10-01-07	Mechanism Parts	1	
2104512	HARNESS ASSY EEPROM	10-01-08	Mechanism Parts	1	
2104514	HARNESS ASSY FAN/PHD/MOT	10-01-09	Mechanism Parts	1	
2082069	POWER CABLE	NON FIG	Mechanism Parts	1	EHK

Part Code	Part Name	Ref No.	Category	Qty	Remark
-----------	-----------	---------	----------	-----	--------