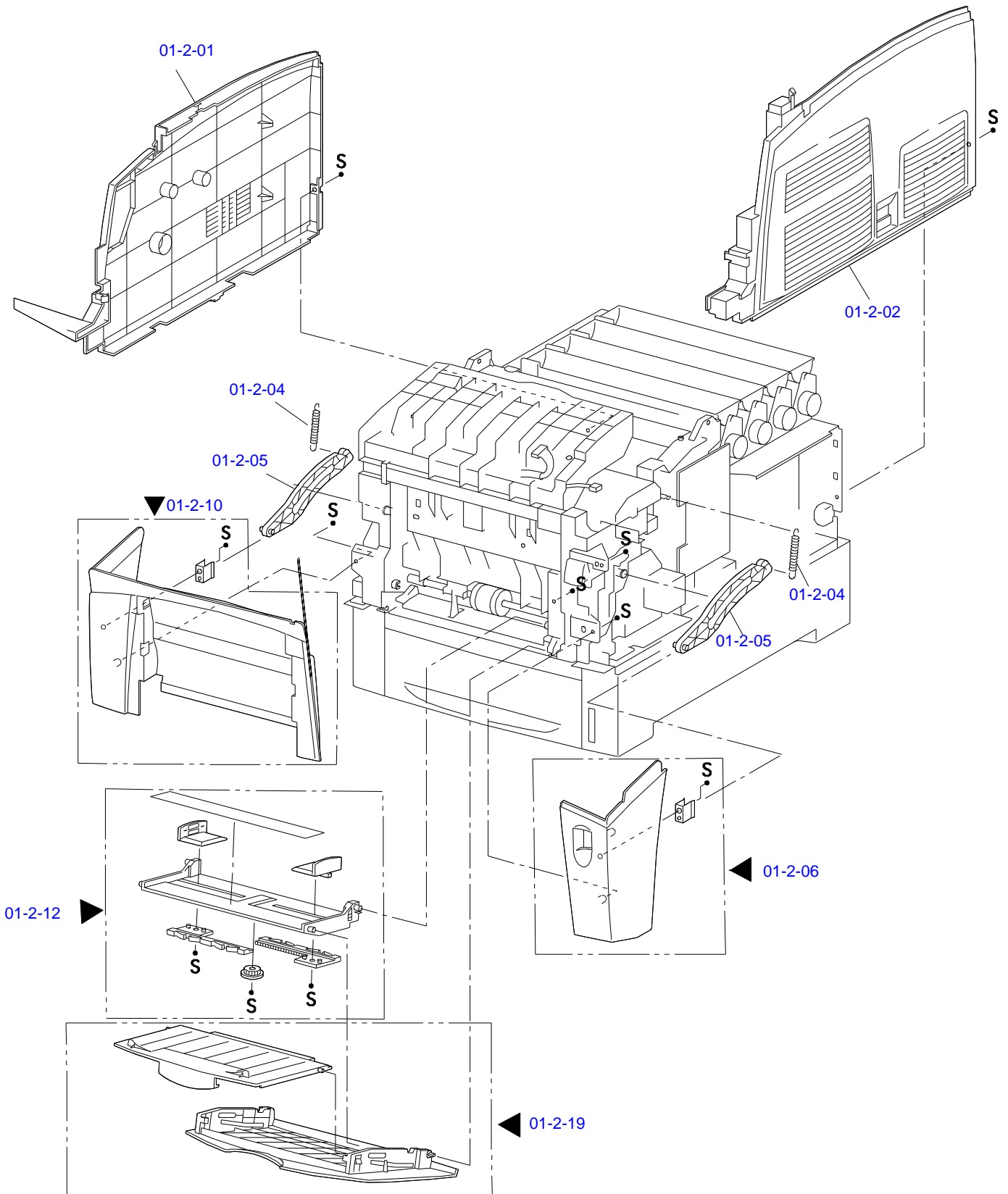


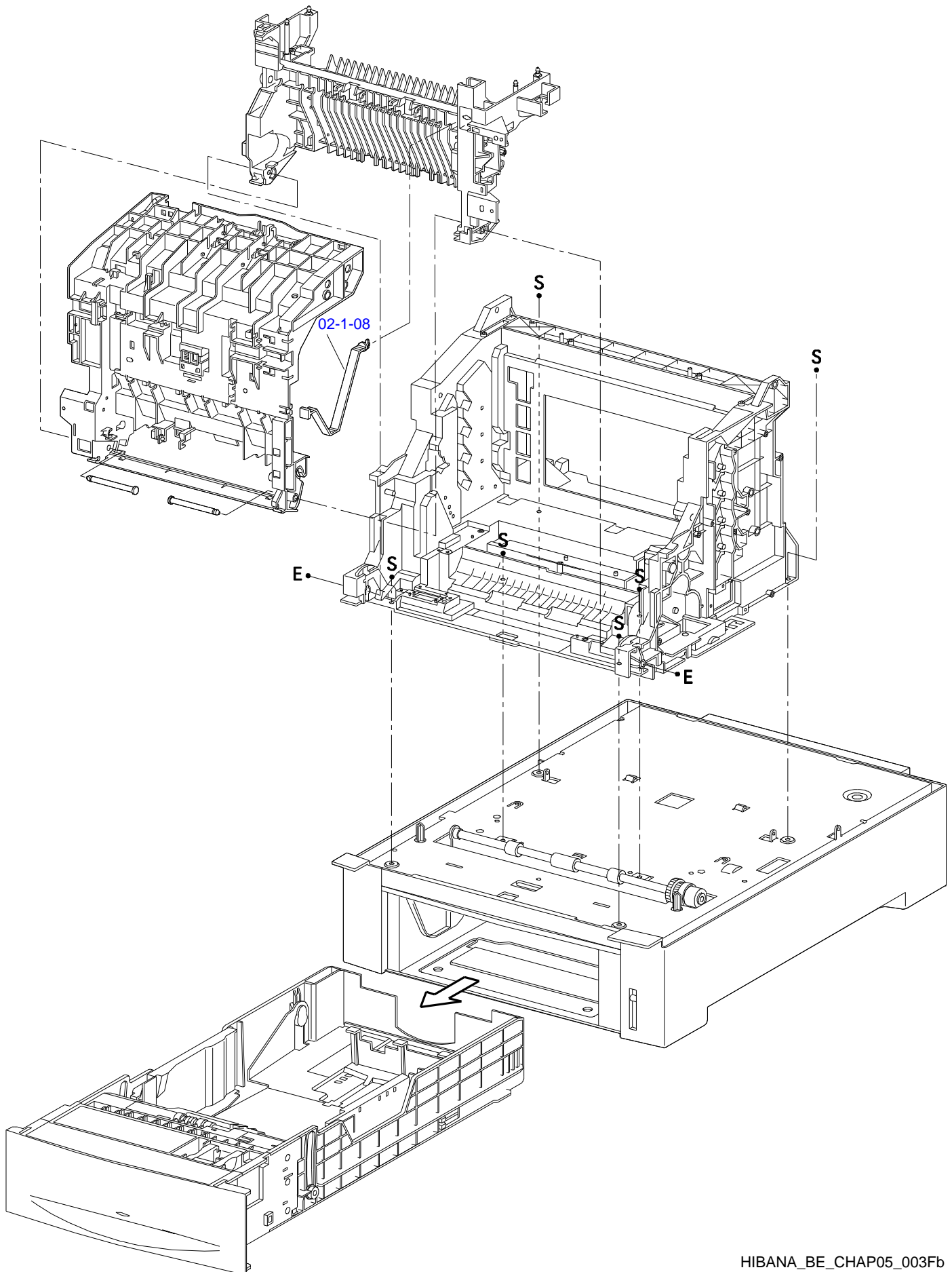
C538-CASE-002

The parts to which no reference number is assigned will not be available as after-sale service parts.



C538-MECH-001

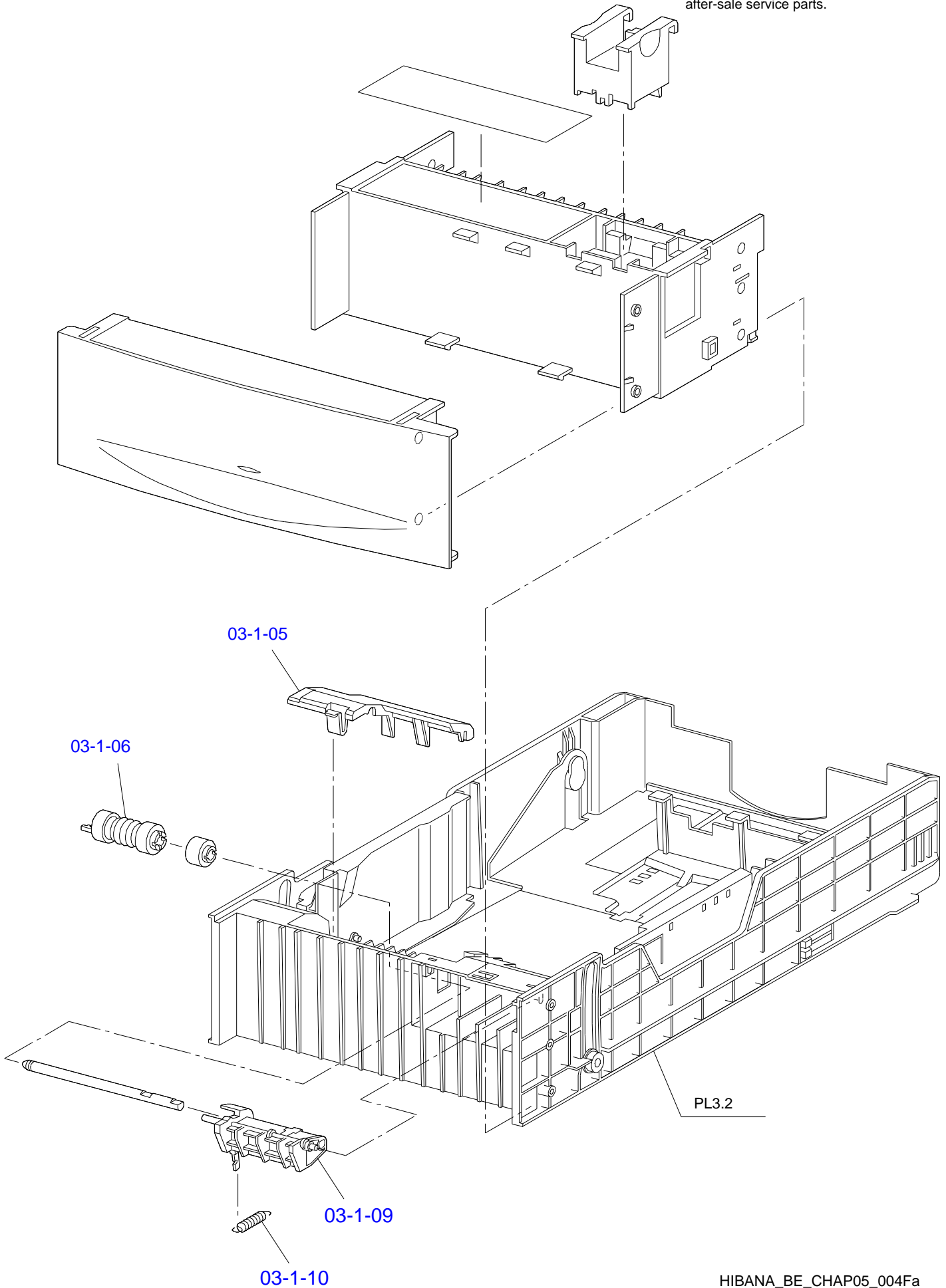
The parts to which no reference number is assigned will not be available as after-sale service parts.



HIBANA_BE_CHAP05_003Fb

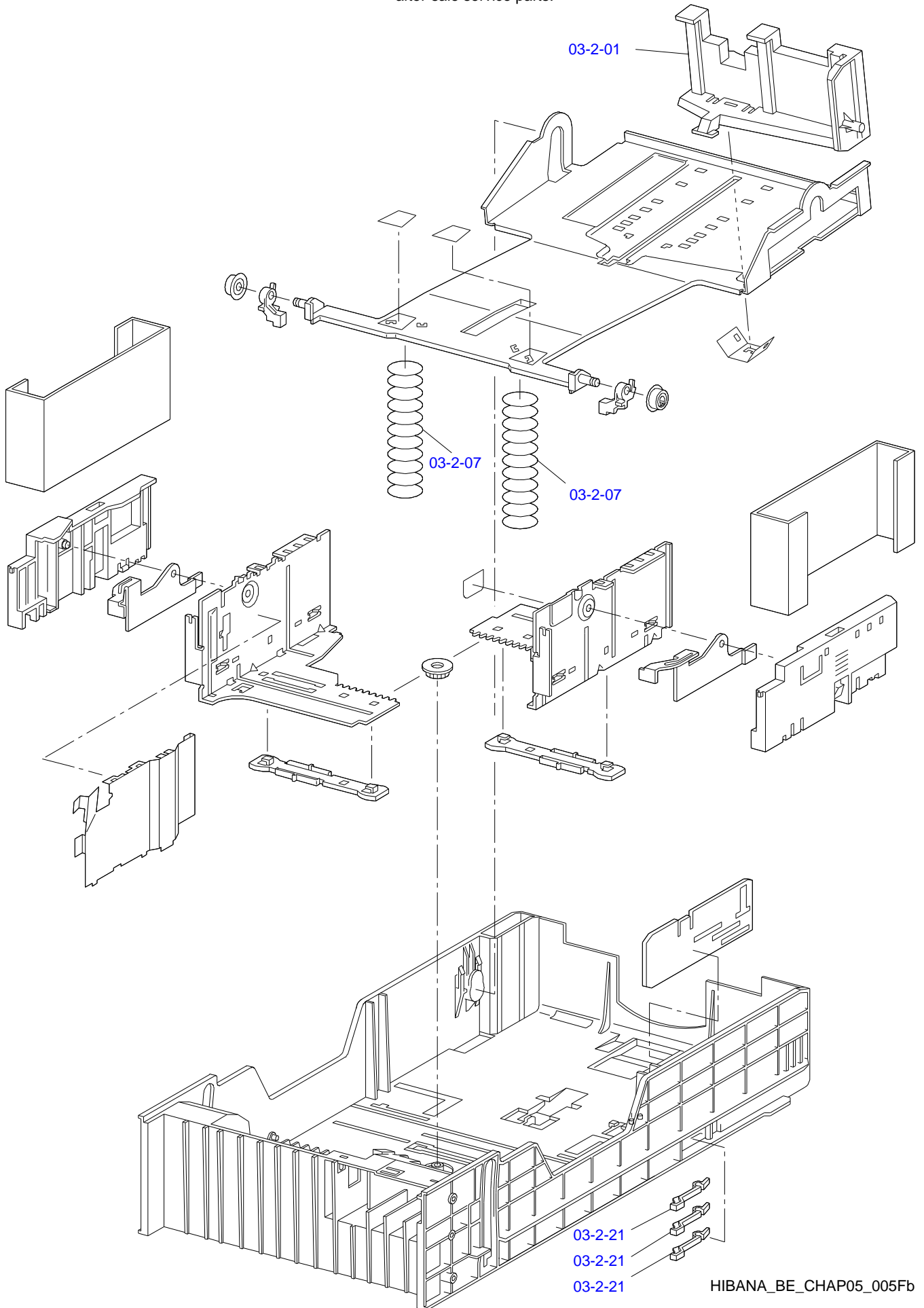
C538-MECH-0022

The parts to which no reference number is assigned will not be available as after-sale service parts.



C538-MECH-003

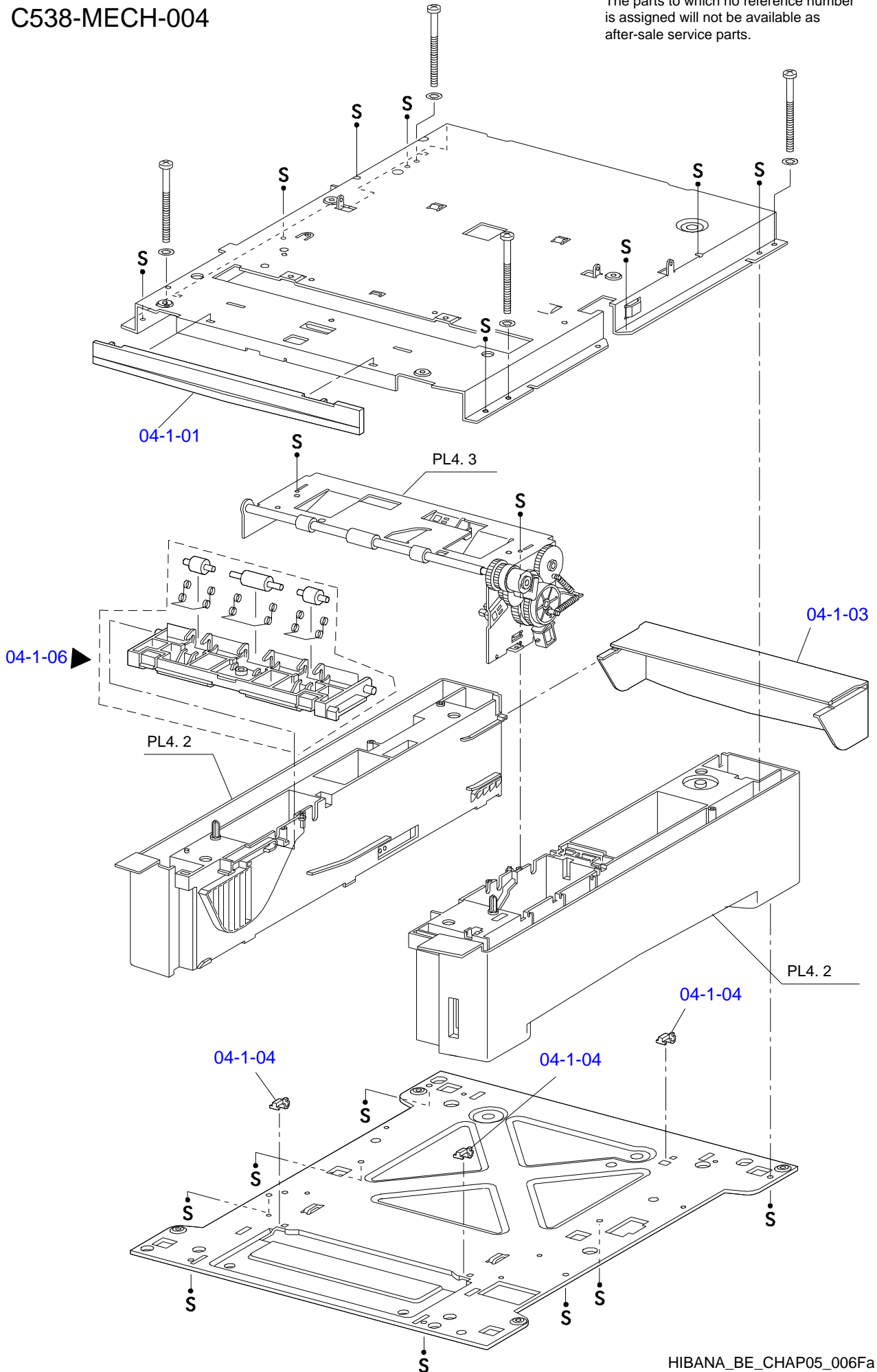
The parts to which no reference number is assigned will not be available as after-sale service parts.



HIBANA_BE_CHAP05_005Fb

C538-MECH-004

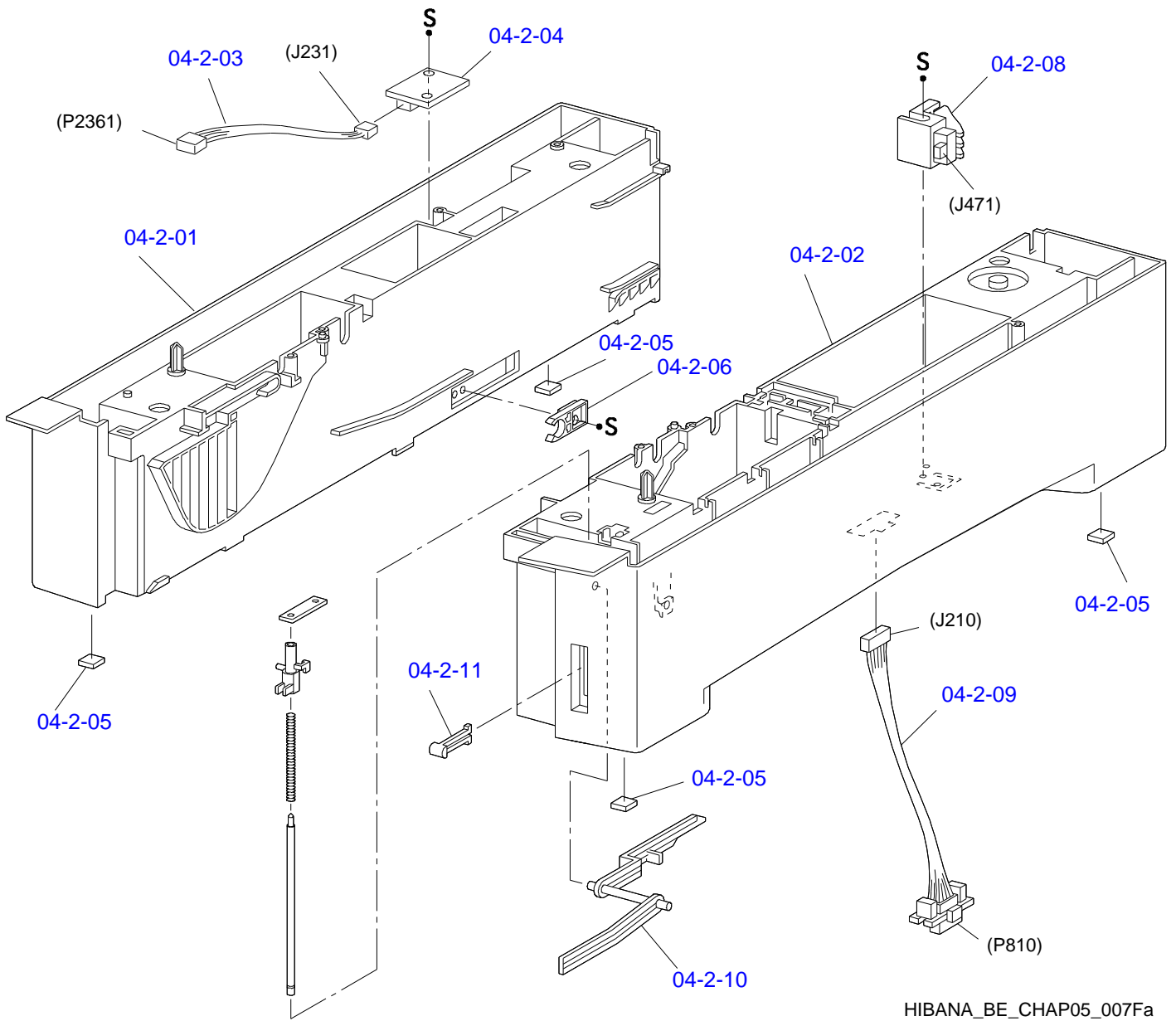
The parts to which no reference number is assigned will not be available as after-sale service parts.



HIBANA_BE_CHAP05_006Fa

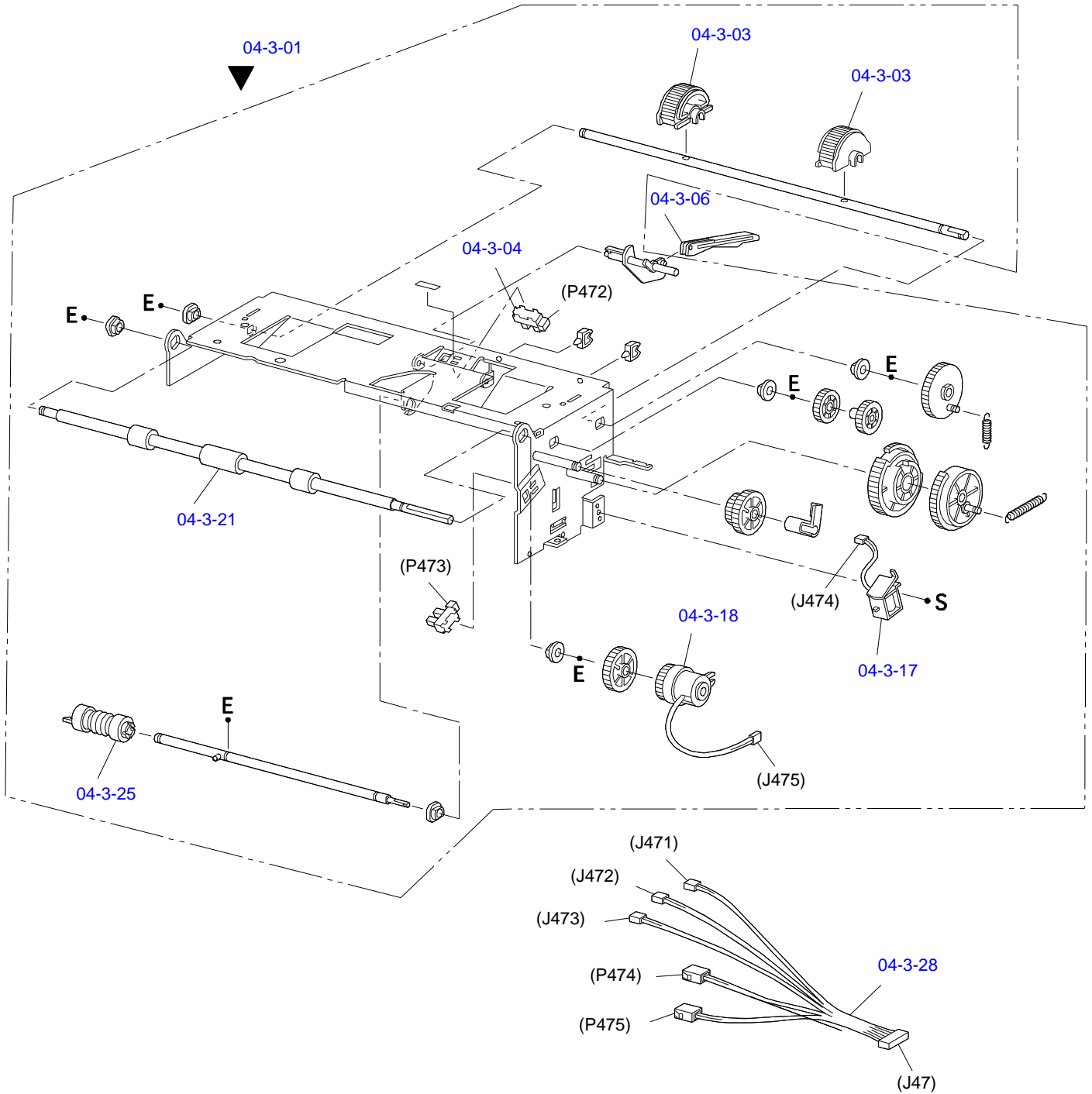
C538-MECH-005

The parts to which no reference number is assigned will not be available as after-sale service parts.



C538-MECH-006

The parts to which no reference number is assigned will not be available as after-sale service parts.

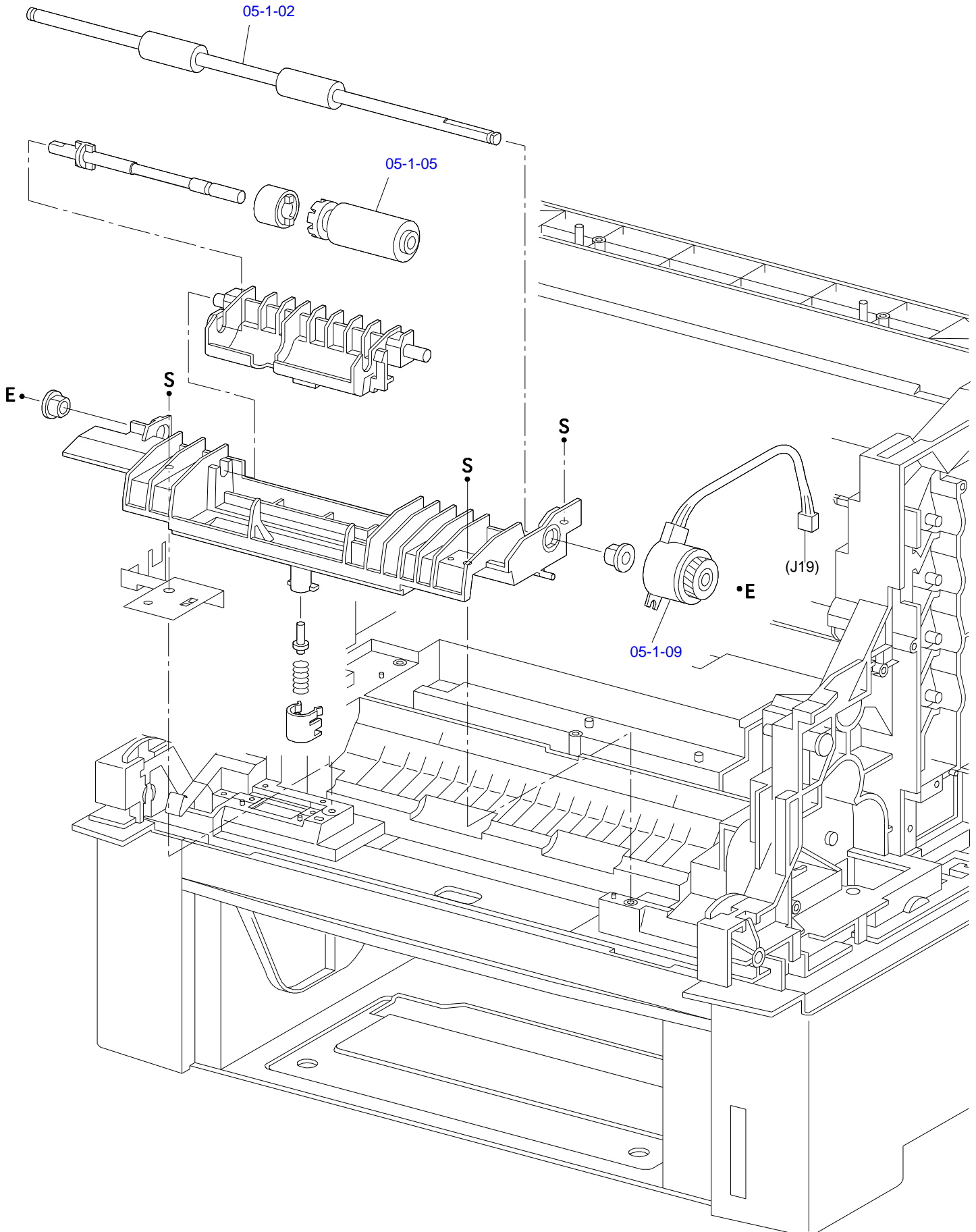


HIBANA_BE_CHAP05_008Fa

C538-MECH-007

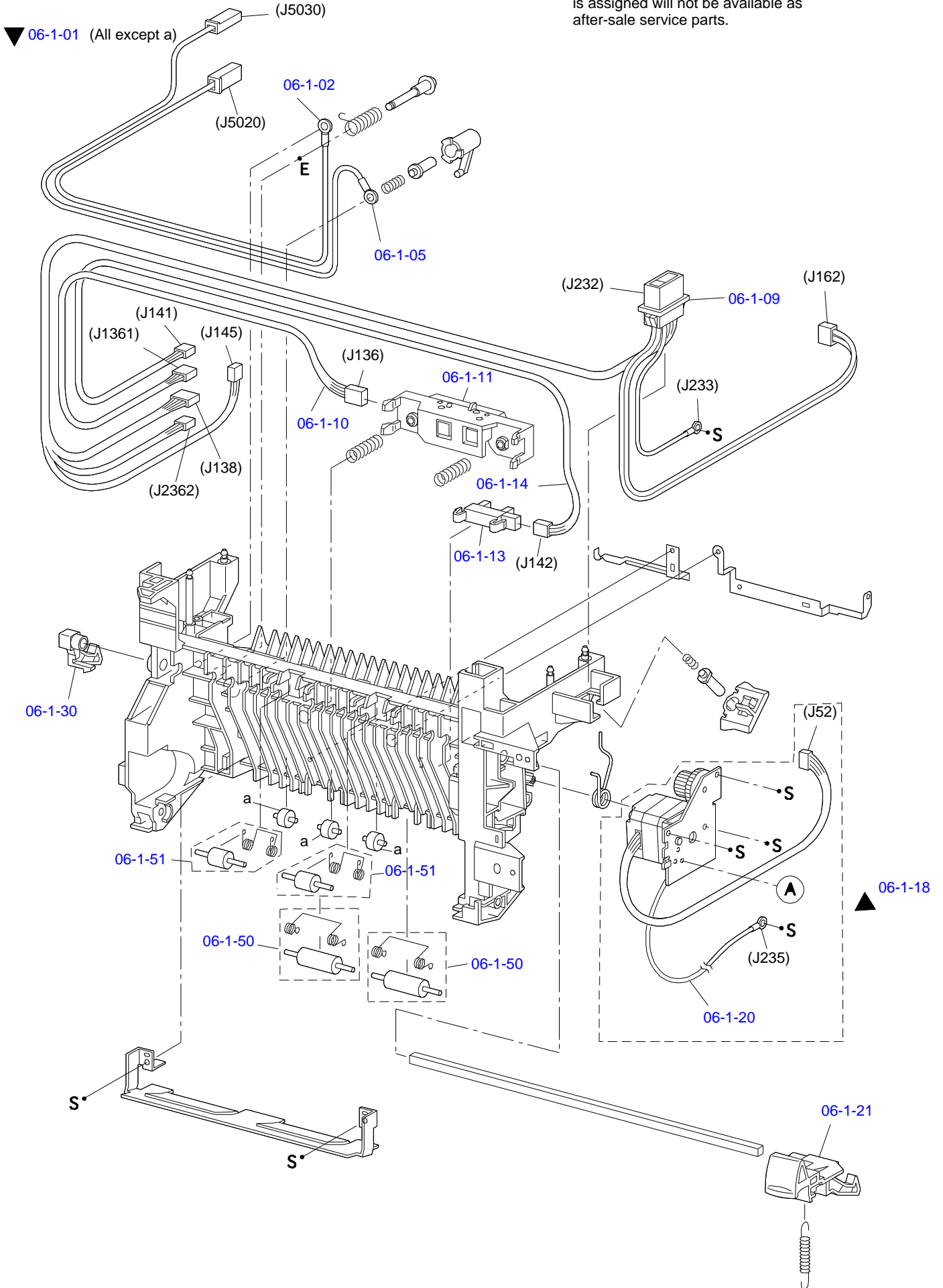
The parts to which no reference number is assigned will not be available as after-sale service parts.

▼ 05-1-01 (All this page)



C538-MECH-008

The parts to which no reference number is assigned will not be available as after-sale service parts.

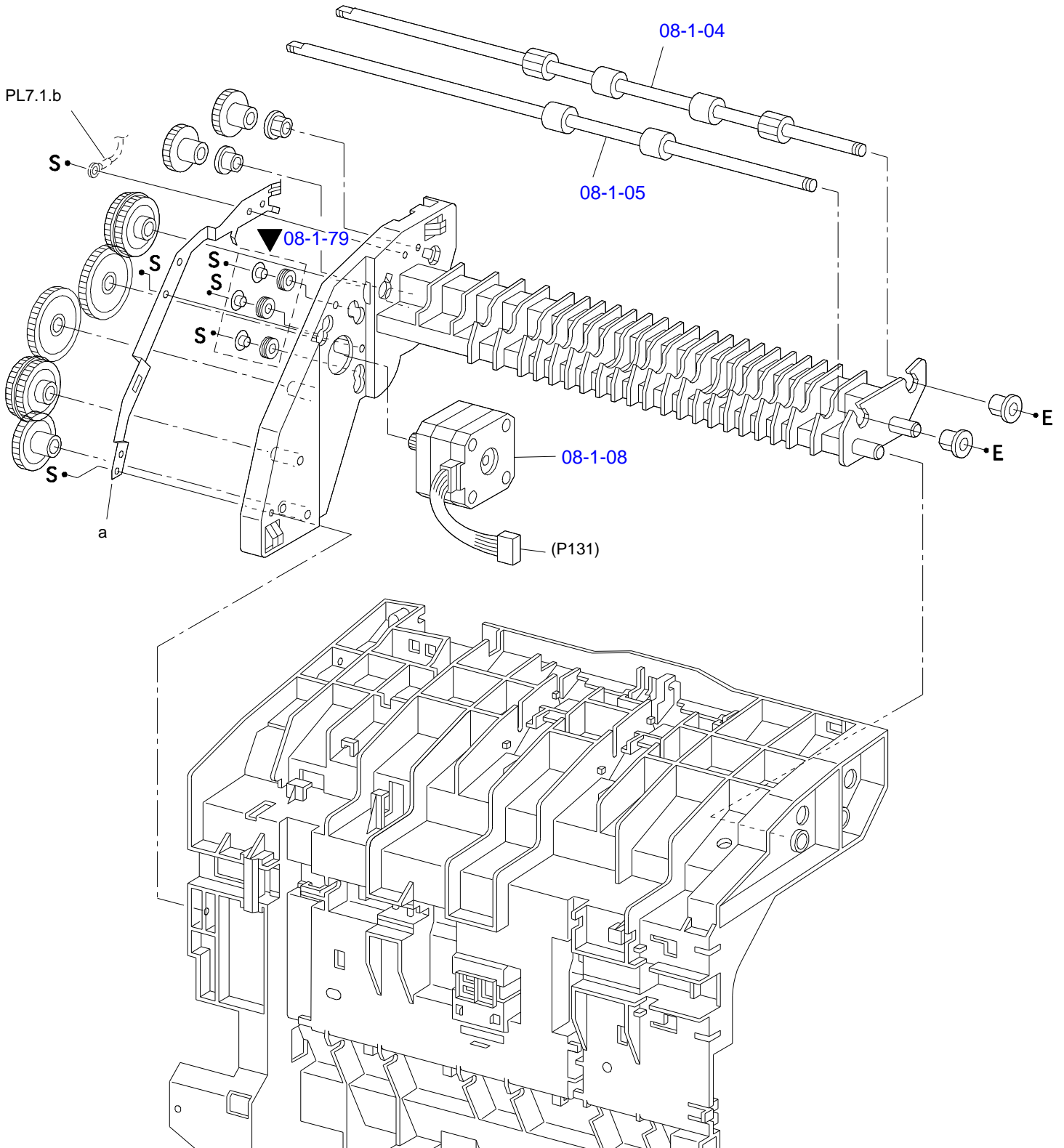


HIBANA_BE_CHAP05_010Fa

C538-MECH-010

The parts to which no reference number is assigned will not be available as after-sale service parts.

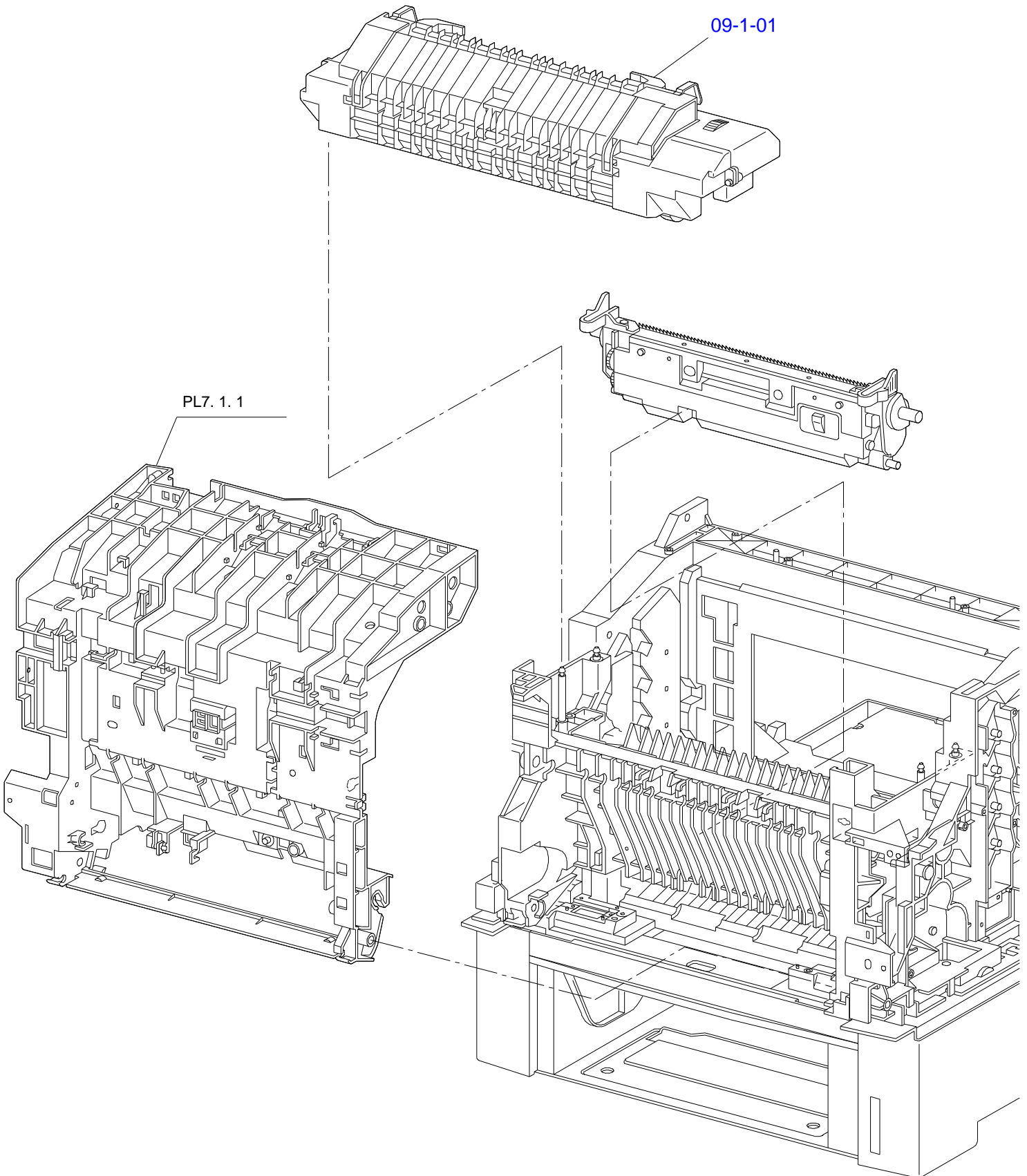
▼ 08-1-01 (All this page)



HIBANA_BE_CHAP05_012Fb

C538-MECH-011

The parts to which no reference number is assigned will not be available as after-sale service parts.

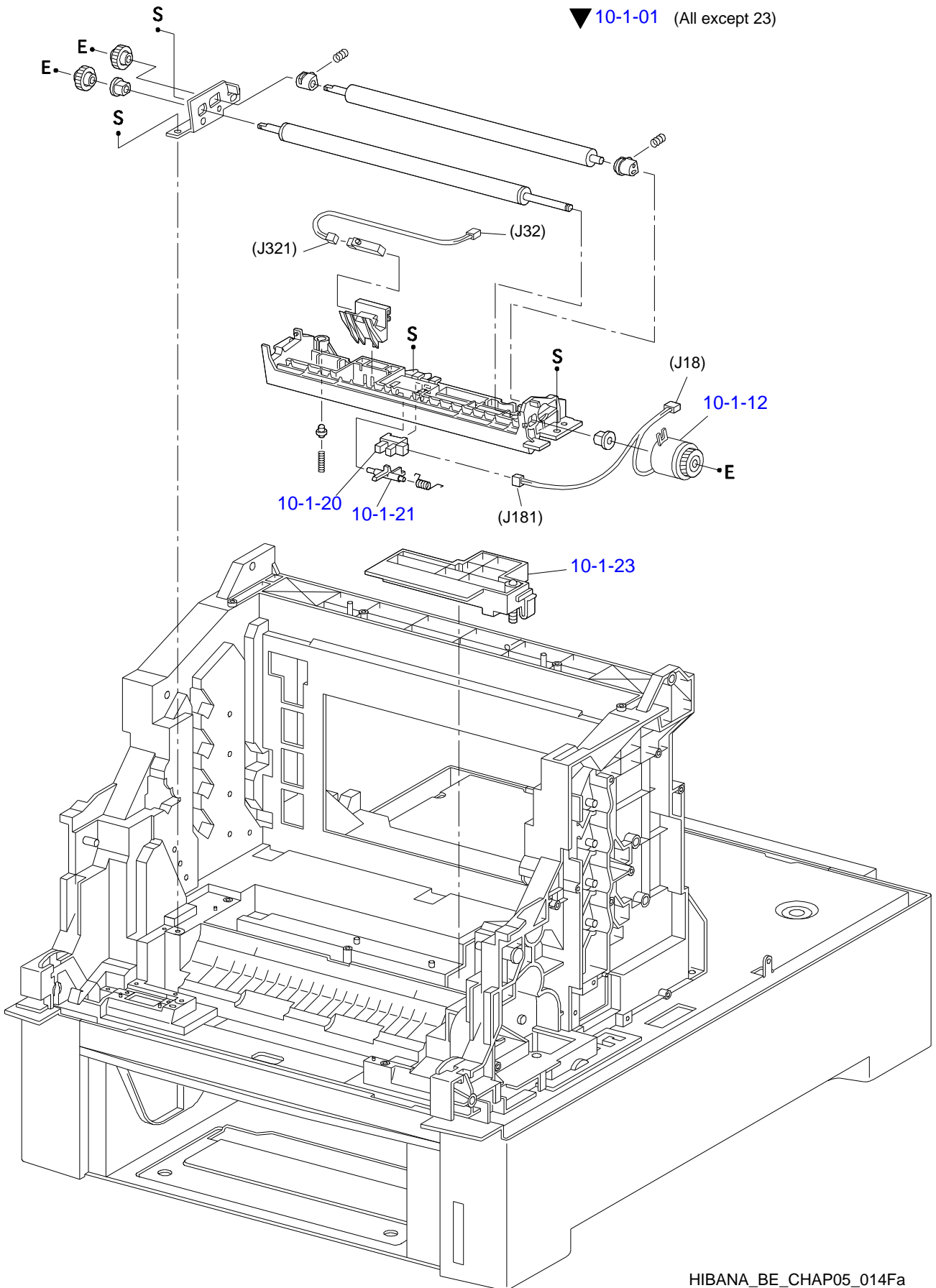


HIBANA_BE_CHAP05_013Fa

C538-MECH-012

The parts to which no reference number is assigned will not be available as after-sale service parts.

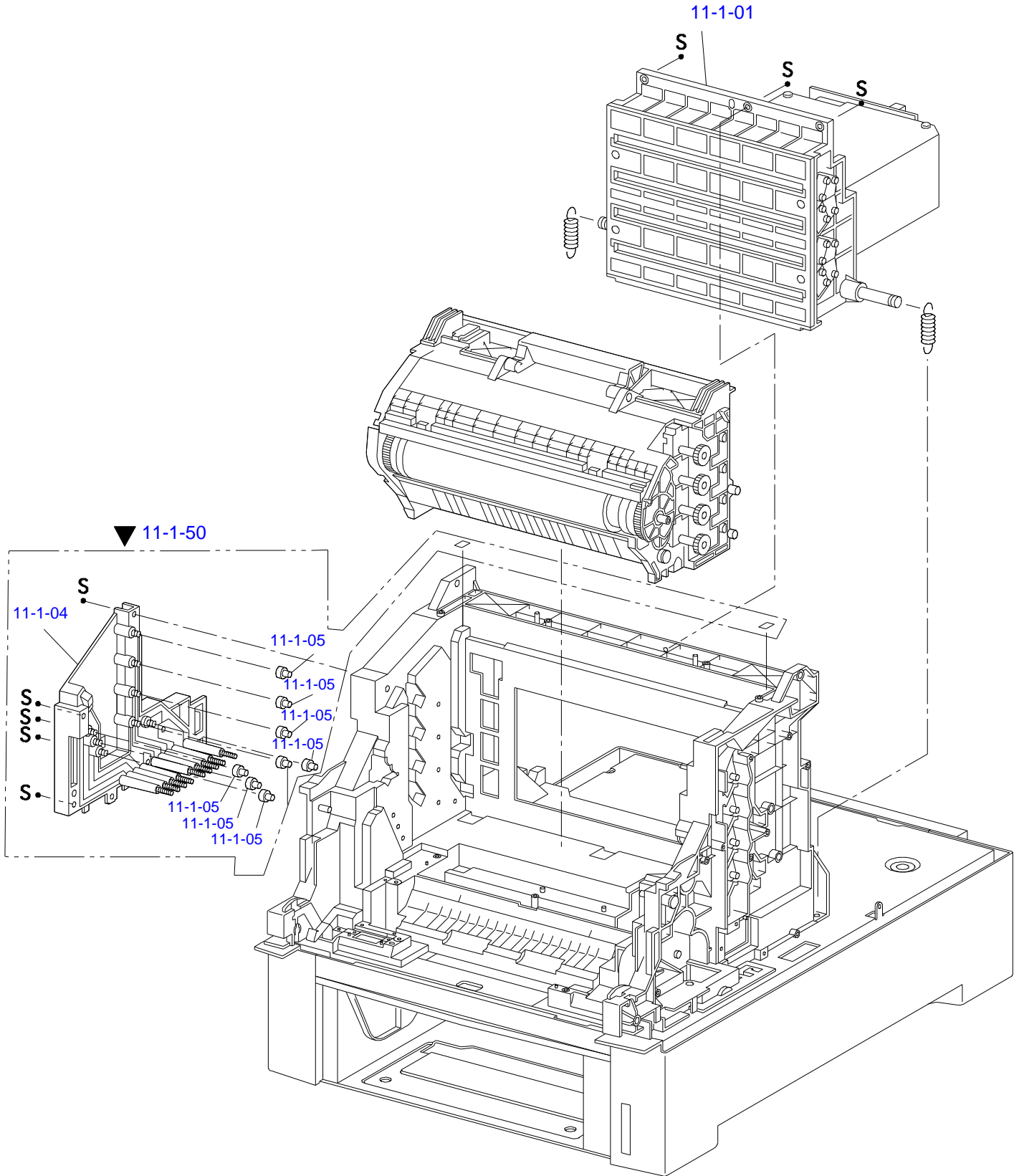
▼ 10-1-01 (All except 23)



HIBANA_BE_CHAP05_014Fa

C538-MECH-013

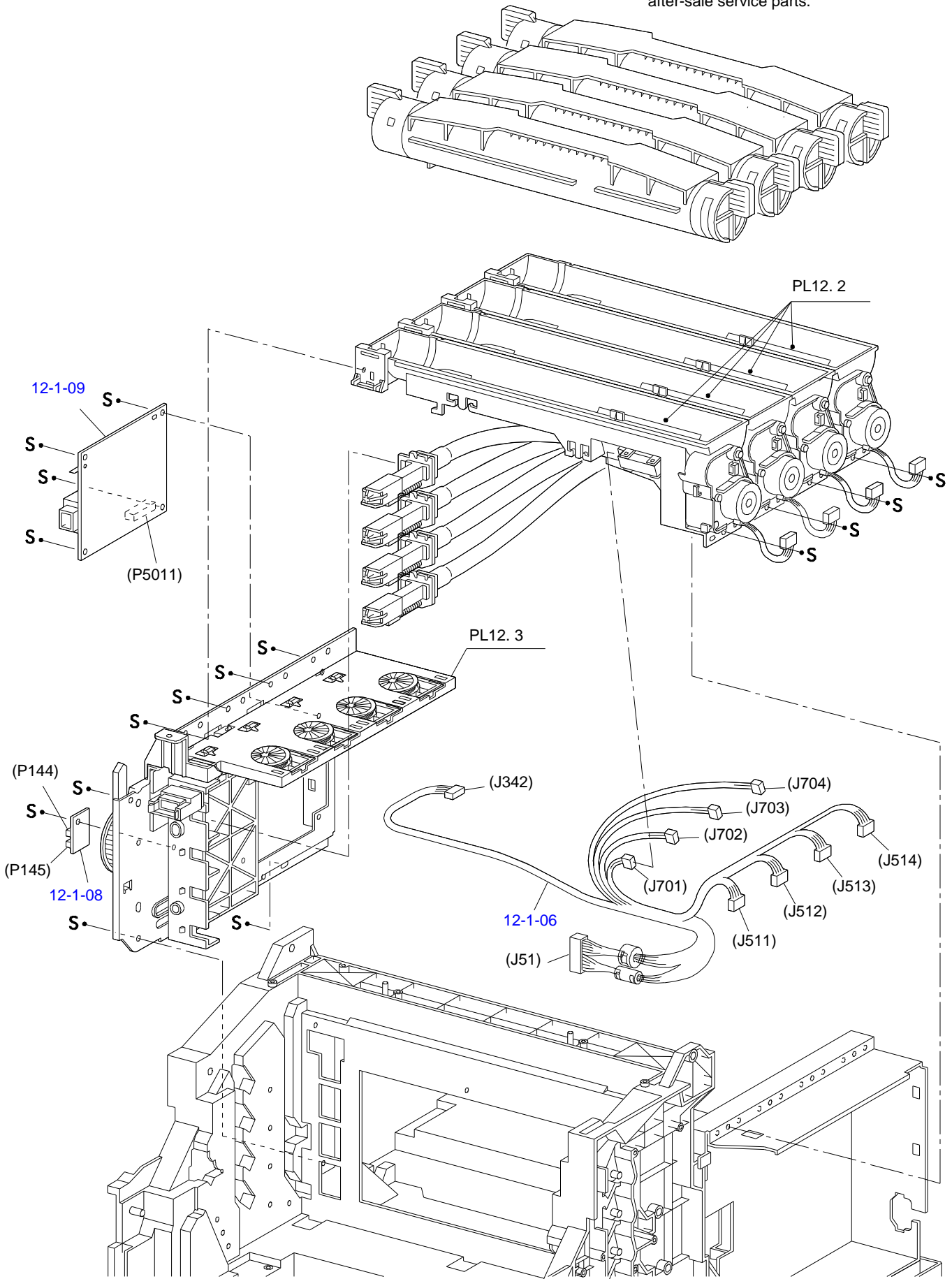
The parts to which no reference number is assigned will not be available as after-sale service parts.



HIBANA_BE_CHAP05_015Fa

C538-MECH-014

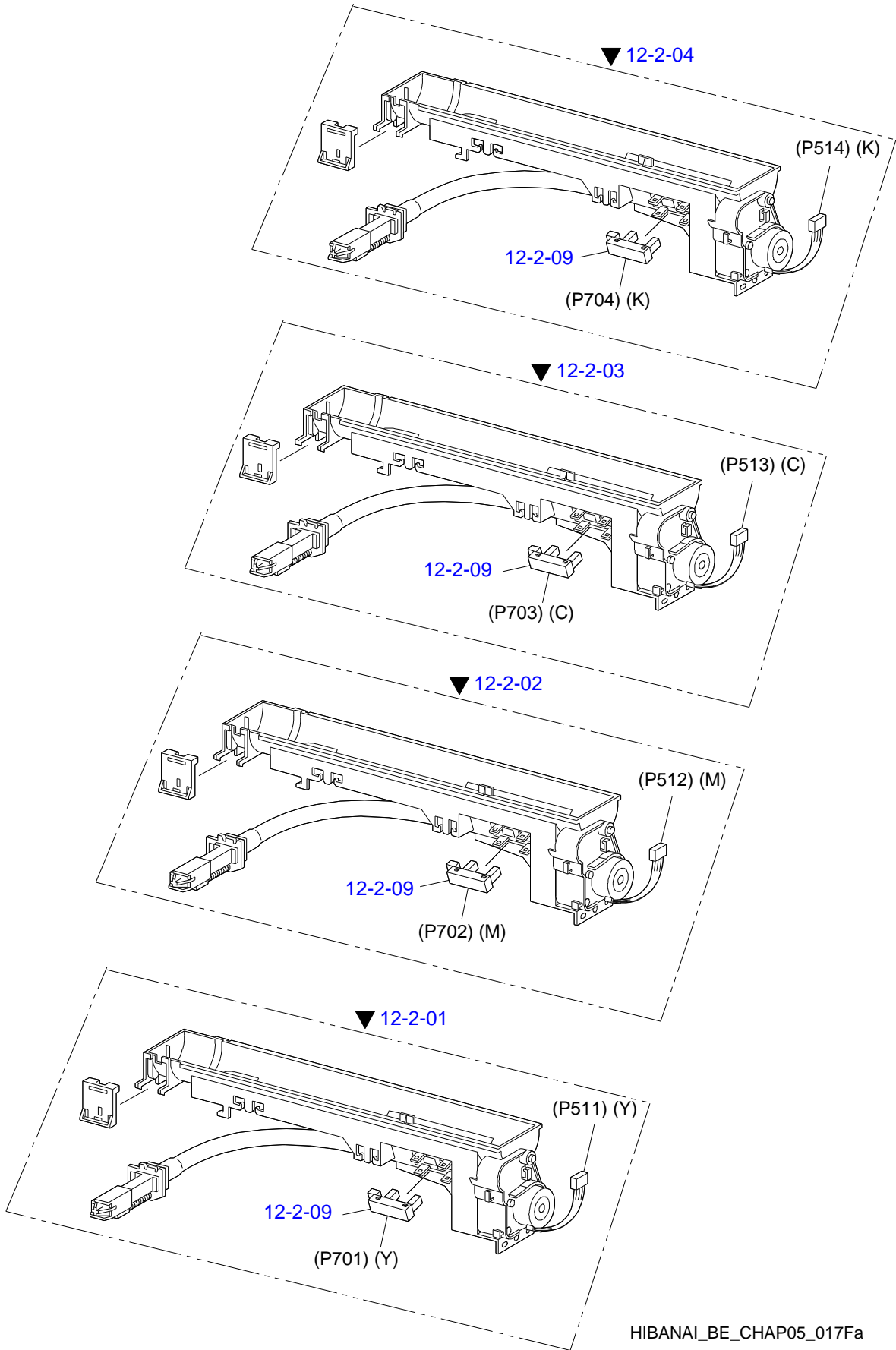
The parts to which no reference number is assigned will not be available as after-sale service parts.



HIBANA_BE_CHAP05_016Fb

C538-MECH-015

The parts to which no reference number is assigned will not be available as after-sale service parts.

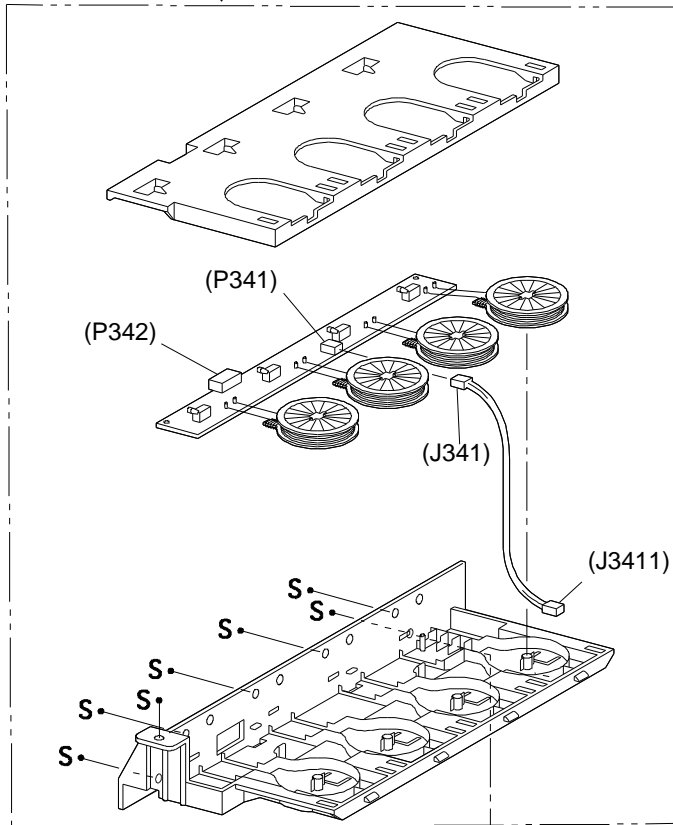


HIBANAI_BE_CHAP05_017Fa

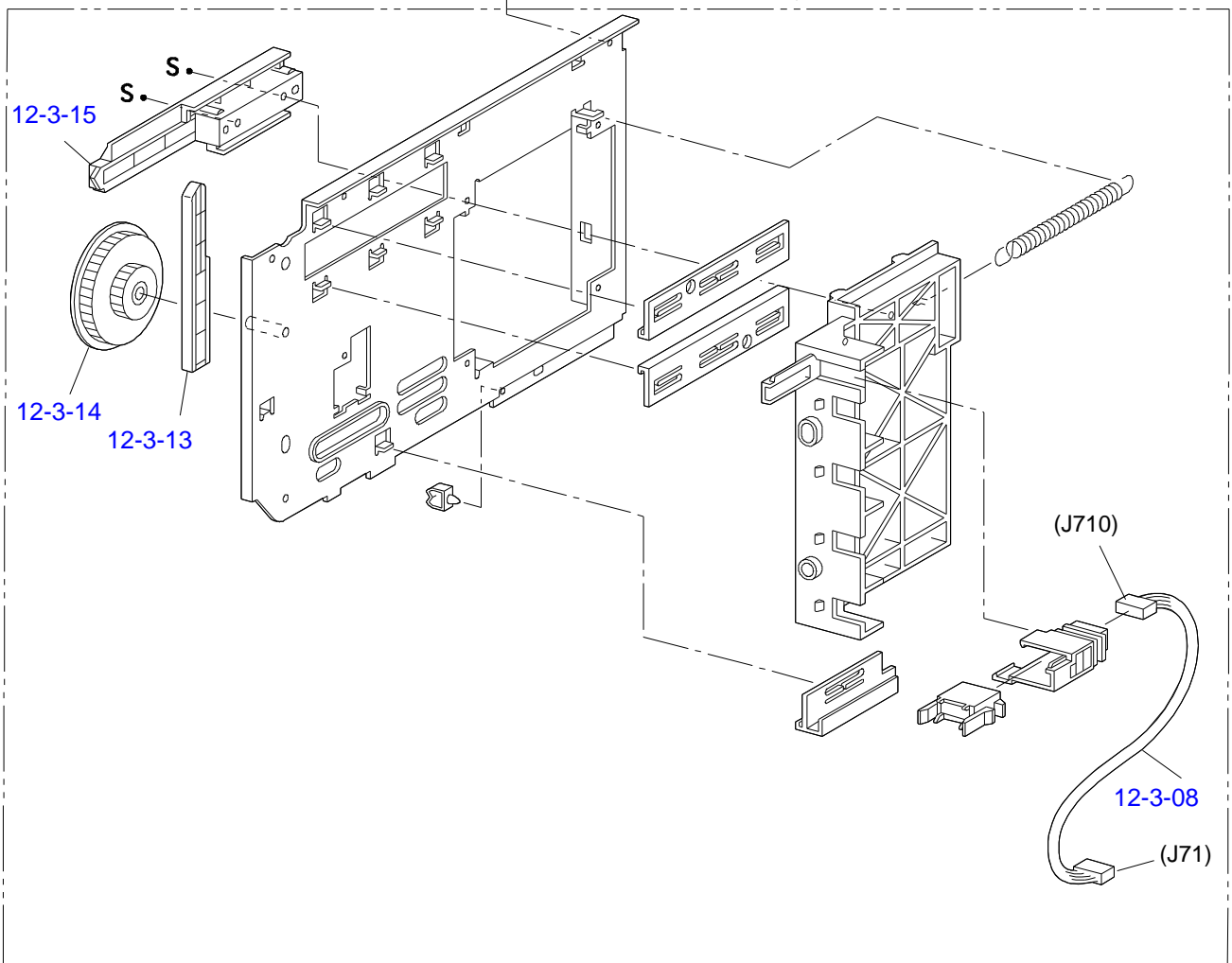
C538-MECH-016

The parts to which no reference number is assigned will not be available as after-sale service parts.

12-3-03



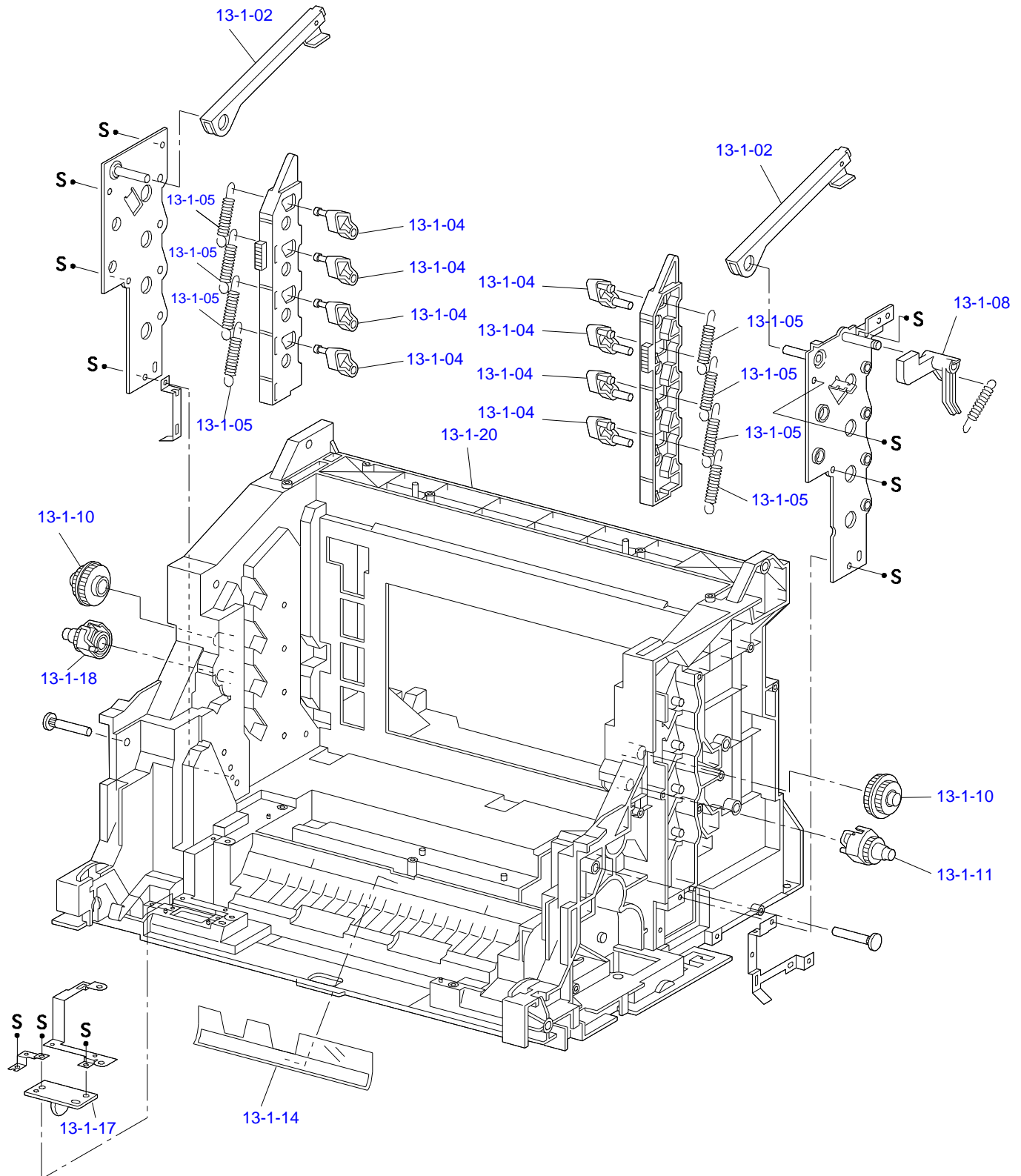
12-3-01



HIBANA_BE_CHAP05_018Fd

C538-MECH-017

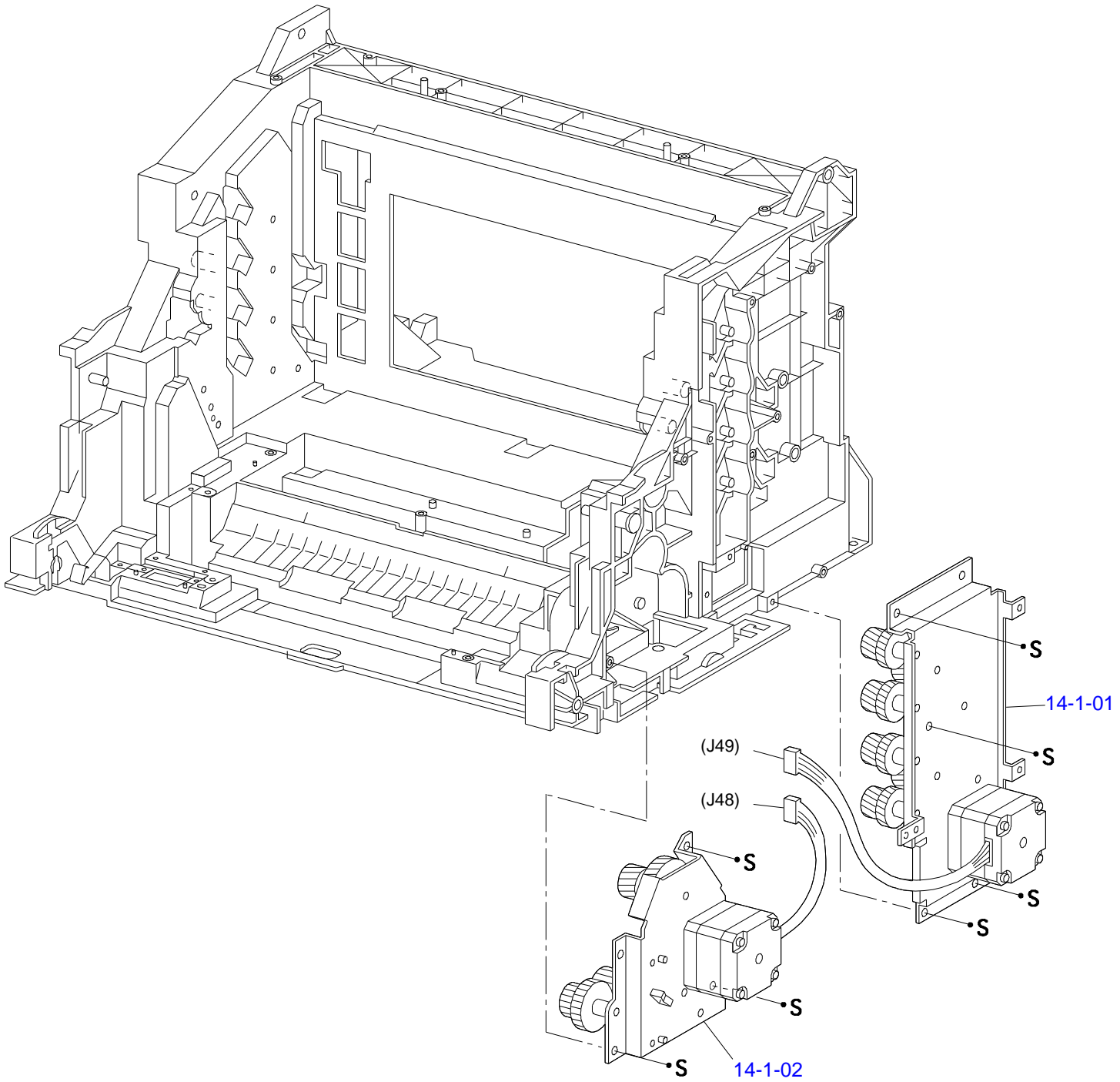
The parts to which no reference number is assigned will not be available as after-sale service parts.



HIBANA_BE_CHAP05_019Fa

C538-MECH-018

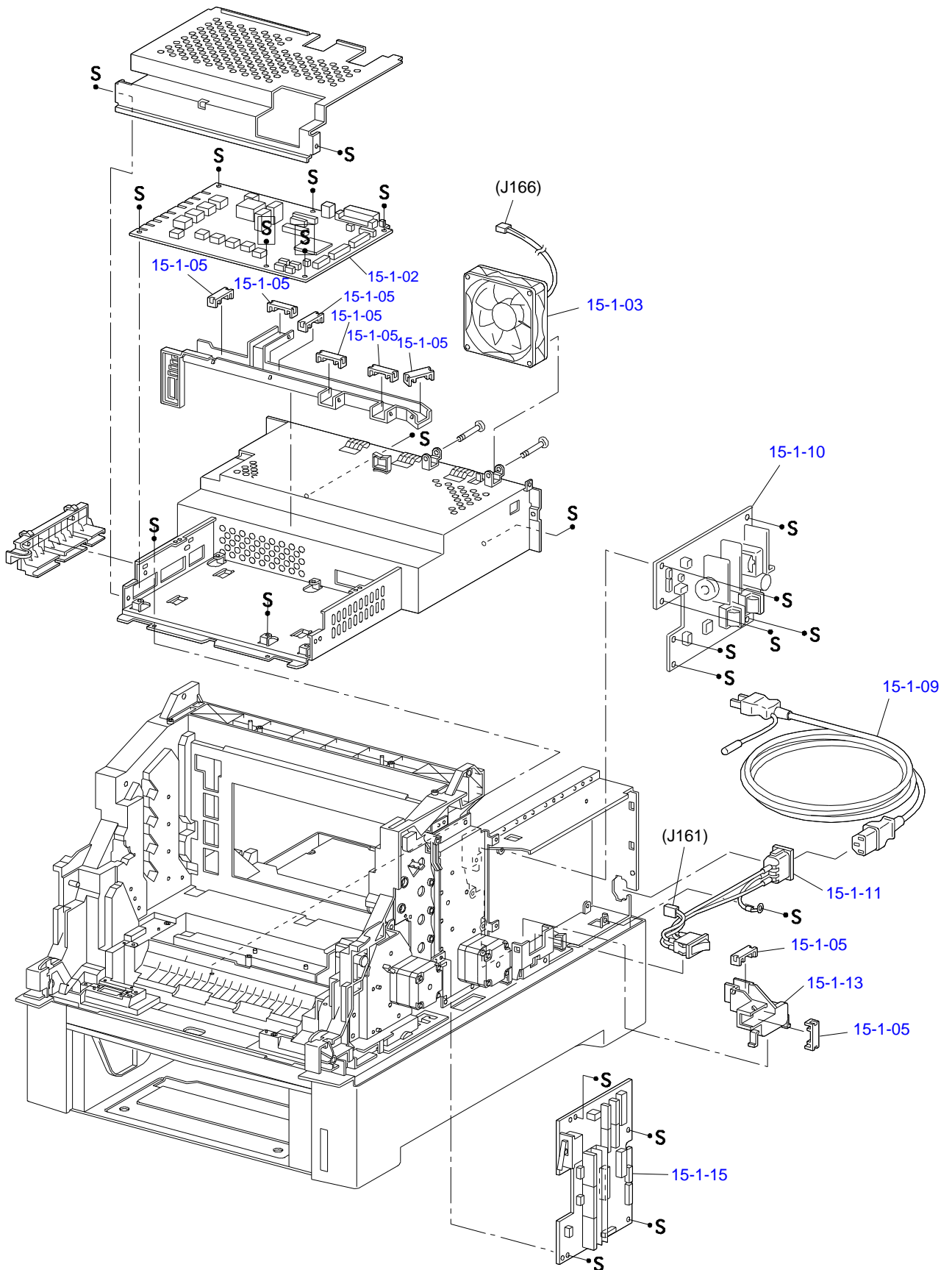
The parts to which no reference number is assigned will not be available as after-sale service parts.



HIBANA_BE_CHAP05_020Fb

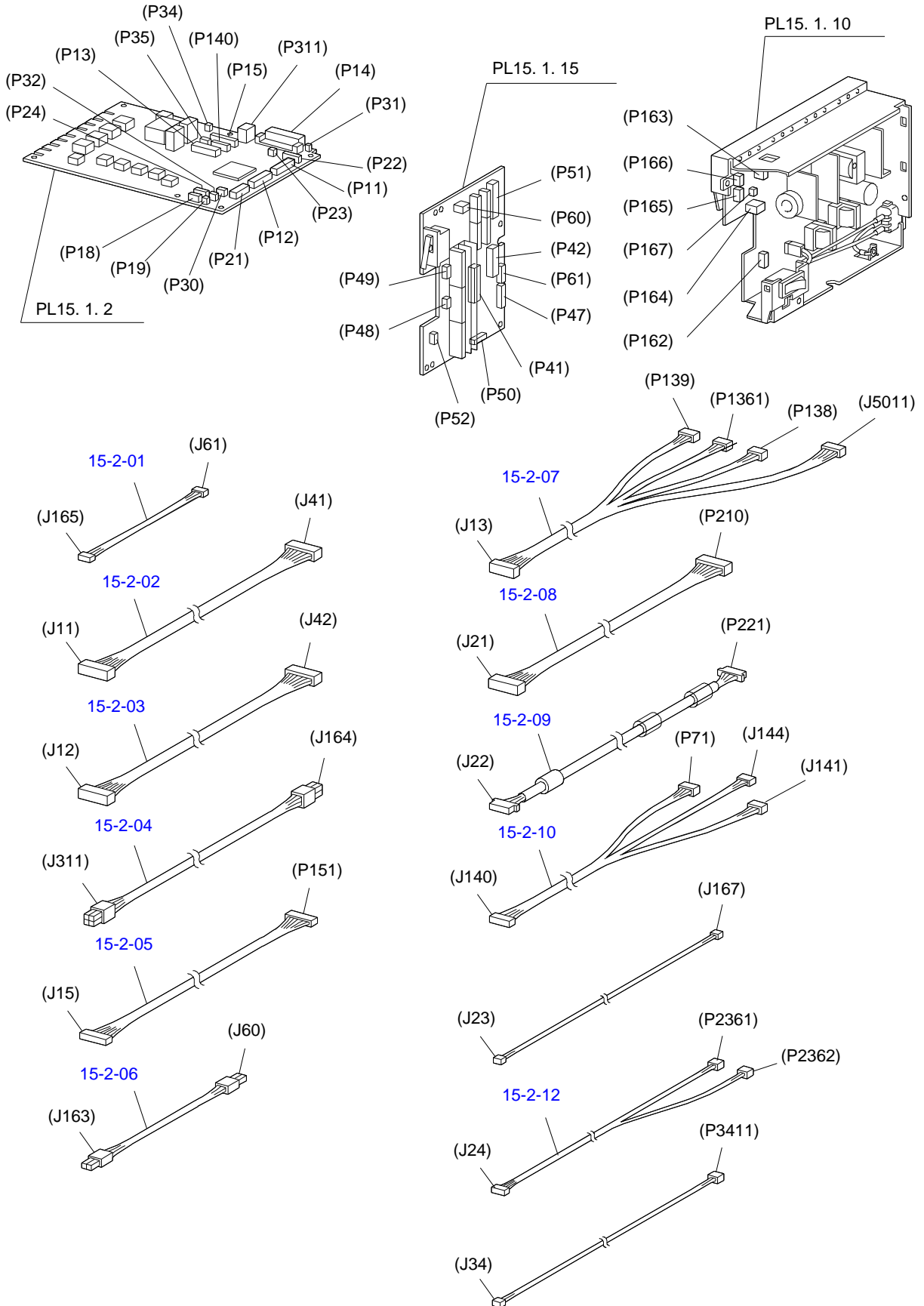
C538-MECH-0192

The parts to which no reference number is assigned will not be available as after-sale service parts.

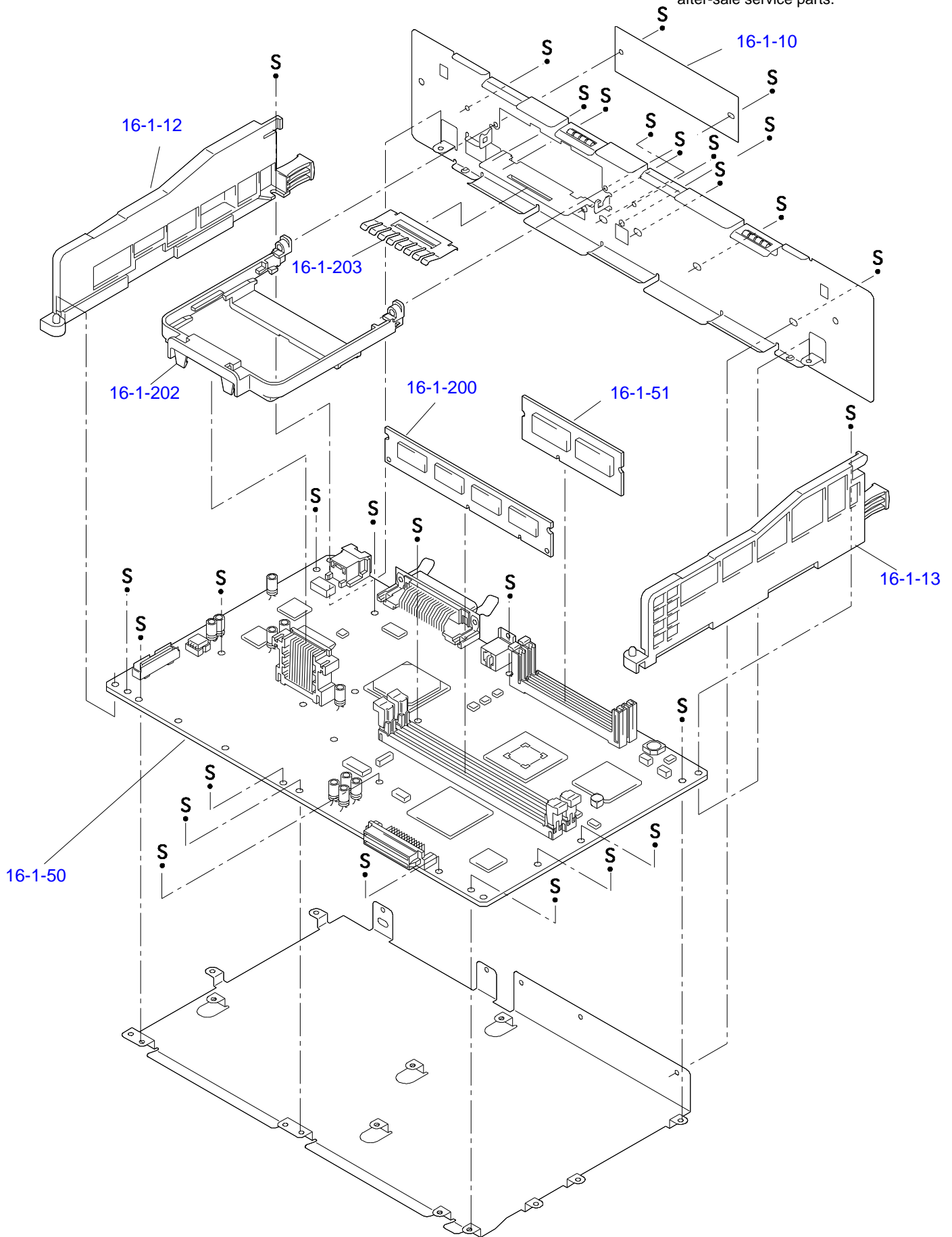


C538-MECH-020

The parts to which no reference number is assigned will not be available as after-sale service parts.



The parts to which no reference number is assigned will not be available as after-sale service parts.



| Part Code | Part Name | Ref No. | Category | Qty | Remark |
|-------------------------|------------------------------------|--------------------------|------------------|-----|--------|
| 1112470 | DC TOOL WO ADAPTER | NONFIG | Accessories | 1 | |
| 2085361 | CONTROL PANEL | 01-1-01 | Case | 1 | |
| 2085195 | COVER ASSY FRONT HEAD | 01-1-02 | Case | 1 | |
| 1110076 | COVER FRONT HEAD | 01-1-03 | Case | 1 | |
| 2085193 | FAN FUSER | 01-1-09 | Case | 1 | |
| 1110078 | CVR TOP STOPPER | 01-1-10 | Case | 1 | |
| 1110079 | COVER TOP | 01-1-11 | Case | 1 | |
| 1265591 | COVER ASSY TOP MAIN | 01-1-12 | Case | 1 | |
| 1110082 | LATCH TOP R | 01-1-19 | Case | 1 | |
| 1265592 | LATCH TOP L | 01-1-23 | Case | 1 | |
| 1110084 | COVER REAR | 01-1-28 | Case | 1 | |
| 1110077 | KIT COVER ASSY TOP | 01-1-50 | Case | 1 | |
| 1265593 | KIT COVER ASSY TOP PHD | 01-1-52 | Case | 1 | |
| 1110085 | COVER SIDE L | 01-2-01 | Case | 1 | |
| 1265590 | COVER SIDE R | 01-2-02 | Case | 1 | |
| 1110087 | SPRING LINK | 01-2-04 | Case | 2 | |
| 1110088 | LINK | 01-2-05 | Case | 2 | |
| 1110090 | COVER ASSY FRONT IN | 01-2-06 | Case | 1 | |
| 1280571 | COVER ASSY FRONT | 01-2-10 | Case | 1 | |
| 1110092 | TRAY ASSY MSI | 01-2-12 | Case | 1 | |
| 1110093 | TRAY ASSY LOW | 01-2-19 | Case | 1 | |
| 1058403 | LOGO PLATE 10X40;C,2COLOR SEIKEI | NONFIG | Case | 1 | |
| 2091049 | SDRAMDIMM | 13-1-200 | Electronic Parts | 1 | |
| 1112464 | PANEL REAR ESS | 16-1-10 | Electronic Parts | 1 | |
| 1112466 | GUIDE L ESS | 16-1-12 | Electronic Parts | 1 | |
| 1112467 | GUIDE R ESS | 16-1-13 | Electronic Parts | 1 | |
| 1012848 | GUIDE RAIL | 16-1-202 | Electronic Parts | 1 | |
| 1012855 | GROUNDING SPRING,TYPE-B | 16-1-203 | Electronic Parts | 1 | |
| 2085157 | BOARD ASSY., MAIN | 16-1-50 | Electronic Parts | 1 | |
| 2083006 | BOARD ASSY.,MEMORY | 16-1-51 | Electronic Parts | 1 | |
| 2028113 | CONNECTOR | CN402 | Electronic Parts | 1 | |
| 2004949 | CONNECTOR | CN408 | Electronic Parts | 1 | |
| 2069640 | CONNECTOR | CN701 | Electronic Parts | 1 | |
| 2091446 | ASIC | IC101 | Electronic Parts | 1 | |
| 2084396 | MICROCONTROLLER | IC102 | Electronic Parts | 1 | |
| 2092777 | ASIC | IC402 | Electronic Parts | 1 | |
| 2055924 | HYBRID IC | IC501 | Electronic Parts | 1 | |
| 2056429 | ASIC | IC600 | Electronic Parts | 1 | |
| 2092780 | ASIC | IC601 | Electronic Parts | 1 | |
| 2083002 | PERIPHERAL/INTERFACE CONTROLLER IC | IC704 | Electronic Parts | 1 | |
| 1110097 | STRAP | 02-1-08 | Mechanism Parts | 1 | |
| 1110098 | CHUTE RETADE | 03-1-05 | Mechanism Parts | 1 | |
| 1110099 | ROLL ASSY | 03-1-06 | Mechanism Parts | 1 | |
| 1290235 | HOLDER RETARD | 03-1-09 | Mechanism Parts | 1 | |
| 1290236 | SPRING RETARD | 03-1-10 | Mechanism Parts | 1 | |
| 1110100 | GUIDE END | 03-2-01 | Mechanism Parts | 1 | |
| 1110101 | SPRING N/F | 03-2-07 | Mechanism Parts | 2 | |
| 1110103 | ACTUATOR SIZE | 03-2-21 | Mechanism Parts | 3 | |

| | | | | |
|-------------------------|-------------------------|-------------------------|-----------------|---|
| 1110105 | COVER FDR FRONT | 04-1-01 | Mechanism Parts | 1 |
| 1265600 | COVER CASSETTE REAR | 04-1-03 | Mechanism Parts | 1 |
| 1110107 | BLOCK | 04-1-04 | Mechanism Parts | 3 |
| 1110108 | CHUTE ASSY TURN | 04-1-06 | Mechanism Parts | 1 |
| 1279590 | HOUSING FDR L | 04-2-01 | Mechanism Parts | 1 |
| 1279591 | HOUSING FDR R | 04-2-02 | Mechanism Parts | 1 |
| 2071858 | HARNESS ASSY TMPA | 04-2-03 | Mechanism Parts | 1 |
| 2061097 | ENVIRONMENT SENSOR | 04-2-04 | Mechanism Parts | 1 |
| 1231706 | FOOT | 04-2-05 | Mechanism Parts | 4 |
| 1110111 | STOPPER CST | 04-2-06 | Mechanism Parts | 1 |
| 1110112 | SWITCH SIZE TRAY 1 | 04-2-08 | Mechanism Parts | 1 |
| 2071859 | HARNESS ASSY OPFREC | 04-2-09 | Mechanism Parts | 1 |
| 1110113 | LEVER LOW PAPER | 04-2-10 | Mechanism Parts | 1 |
| 1110115 | INDICATOR | 04-2-11 | Mechanism Parts | 1 |
| 2071887 | PICK UP ASSY | 04-3-01 | Mechanism Parts | 1 |
| 1110119 | ROLL ASSY FEED | 04-3-03 | Mechanism Parts | 2 |
| 2026720 | EXIT SENSOR | 04-3-04 | Mechanism Parts | 2 |
| 1021488 | ACTUATOR LINK | 04-3-06 | Mechanism Parts | 1 |
| 2071888 | SOLENOID FEED TRAY 1 | 04-3-17 | Mechanism Parts | 1 |
| 1110121 | CLUTCH ASSY TURN TRAY 1 | 04-3-18 | Mechanism Parts | 1 |
| 1110122 | ROLL ASSY TURN | 04-3-21 | Mechanism Parts | 1 |
| 1110099 | ROLL ASSY | 04-3-25 | Mechanism Parts | 1 |
| 2071860 | HARNESS ASSY FEEDER | 04-3-28 | Mechanism Parts | 1 |
| 2085198 | HOUSING ASSY RETARD | 05-1-01 | Mechanism Parts | 1 |
| 1111860 | ROLL TURN | 05-1-02 | Mechanism Parts | 1 |
| 1111861 | ROLL ASSY RETARD | 05-1-05 | Mechanism Parts | 1 |
| 2085199 | CLUTCH TURN MSI | 05-1-09 | Mechanism Parts | 1 |
| 2085201 | CHUTE ASSY IN | 06-1-01 | Mechanism Parts | 1 |
| 2072702 | WIRE ASSY BTR 2 | 06-1-02 | Mechanism Parts | 1 |
| 2072703 | WIRE ASSY DTSK | 06-1-05 | Mechanism Parts | 1 |
| 2085203 | HARNESS ASSY FSR3C | 06-1-09 | Mechanism Parts | 1 |
| 2072706 | HARNESS ASSY CTD | 06-1-10 | Mechanism Parts | 1 |
| 2072707 | SENSOR ASSY ADC | 06-1-11 | Mechanism Parts | 1 |
| 2028242 | WASTE TONER SENSOR | 06-1-13 | Mechanism Parts | 1 |
| 2072708 | HARNESS ASSY TFLSNS | 06-1-14 | Mechanism Parts | 1 |
| 2085205 | DRIVE ASSY FUSER | 06-1-18 | Mechanism Parts | 1 |
| 2072710 | WIRE ASSY FSR EARTH | 06-1-20 | Mechanism Parts | 1 |
| 1111862 | LATCH R | 06-1-21 | Mechanism Parts | 1 |
| 1111863 | LATCH L | 06-1-30 | Mechanism Parts | 1 |
| 1111864 | KIT ROLL PINCH TURN | 06-1-50 | Mechanism Parts | 2 |
| 1111865 | KIT ROLL PINCH DUP | 06-1-51 | Mechanism Parts | 2 |
| 2085206 | CHUTE ASSY OUT | 07-1-01 | Mechanism Parts | 1 |
| 2071861 | HARNESS ASSY FRONT 2 | 07-1-02 | Mechanism Parts | 1 |
| 2071862 | HARNESS ASSY OPEPANE BS | 07-1-03 | Mechanism Parts | 1 |
| 2021773 | E.R.M. SENSOR | 07-1-04 | Mechanism Parts | 3 |
| 1111867 | ACTUATOR FULL STACK | 07-1-05 | Mechanism Parts | 1 |
| 1111866 | ROLL DUP | 07-1-12 | Mechanism Parts | 1 |
| 1111868 | ACTUATOR DUP | 07-1-13 | Mechanism Parts | 1 |
| 2085207 | HARNESS ASSY DUP 2 | 07-1-23 | Mechanism Parts | 1 |
| 1111869 | ROLL ASSY FEED | 07-1-27 | Mechanism Parts | 1 |

| | | | | |
|-------------------------|--------------------------|-------------------------|-----------------|---|
| 1111870 | ACTUATOR MSI | 07-1-37 | Mechanism Parts | 1 |
| 1111871 | SOLENOID FEED MSI | 07-1-40 | Mechanism Parts | 1 |
| 2072713 | WIRE ASSY DUP EARTH | 07-1-43 | Mechanism Parts | 1 |
| 1265606 | KIT ROLL PINCH EXIT | 07-1-50 | Mechanism Parts | 2 |
| 1265607 | KIT ROLL PINCH | 07-1-51 | Mechanism Parts | 2 |
| 1265628 | CHUTE ASSY EXIT | 08-1-01 | Mechanism Parts | 1 |
| 1111876 | ROLL EXIT | 08-1-04 | Mechanism Parts | 1 |
| 1111877 | ROLL MID | 08-1-05 | Mechanism Parts | 1 |
| 2085398 | MOTOR ASSY DUP | 08-1-08 | Mechanism Parts | 1 |
| 1267092 | KIT GLOMET | 08-1-79 | Mechanism Parts | 1 |
| 2085468 | FUSER ASSY (220V) | 09-1-01 | Mechanism Parts | 1 |
| 2085209 | CHUTE ASSY REGI | 10-1-01 | Mechanism Parts | 1 |
| 2085210 | CLUTCH REGI | 10-1-12 | Mechanism Parts | 1 |
| 2021773 | E.R.M. SENSOR | 10-1-20 | Mechanism Parts | 1 |
| 1112416 | ACTUATOR REGI | 10-1-21 | Mechanism Parts | 1 |
| 1112417 | HOUSING ASSY | 10-1-23 | Mechanism Parts | 1 |
| 2085214 | ROS ASSY | 11-1-01 | Mechanism Parts | 1 |
| 1112434 | HSG ASSY BIAS | 11-1-04 | Mechanism Parts | 1 |
| 1112438 | STUD PLUNGER | 11-1-05 | Mechanism Parts | 8 |
| 1112431 | KIT HSG ASSY BIAS | 11-1-50 | Mechanism Parts | 1 |
| 2085215 | HRANESS ASSY TNR4SE | 12-1-06 | Mechanism Parts | 1 |
| 2071865 | PWB EEPROM | 12-1-08 | Mechanism Parts | 1 |
| 2071866 | HVPS SUB | 12-1-09 | Mechanism Parts | 1 |
| 2085216 | KIT HOLDER ASSY TONER(Y) | 12-2-01 | Mechanism Parts | 1 |
| 2085217 | KIT HOLDER ASSY TONER(M) | 12-2-02 | Mechanism Parts | 1 |
| 2085218 | KIT HOLDER ASSY TONER(C) | 12-2-03 | Mechanism Parts | 1 |
| 2085219 | KIT HOLDER ASSY TONER(K) | 12-2-04 | Mechanism Parts | 1 |
| 2085220 | SENSOR TONER LOW | 12-2-09 | Mechanism Parts | 4 |
| 2085221 | PLATE ASSY DISPENSER | 12-3-01 | Mechanism Parts | 1 |
| 2085319 | BOX ASSY CRUM READER | 12-3-03 | Mechanism Parts | 1 |
| 2071867 | HARNESS ASSY CRUM | 12-3-08 | Mechanism Parts | 1 |
| 1112451 | RACK V | 12-3-13 | Mechanism Parts | 1 |
| 1112452 | GEAR SLIDE | 12-3-14 | Mechanism Parts | 1 |
| 1112453 | RACK H | 12-3-15 | Mechanism Parts | 1 |
| 1112454 | BRACKET LEVER | 13-1-02 | Mechanism Parts | 2 |
| 1112455 | LEVER DRUM | 13-1-04 | Mechanism Parts | 8 |
| 1112456 | SPRING LEVER 30N | 13-1-05 | Mechanism Parts | 8 |
| 1112457 | ACTUATOR I/L | 13-1-08 | Mechanism Parts | 1 |
| 1112459 | GEAR IDL PRESS | 13-1-10 | Mechanism Parts | 2 |
| 1112460 | GEAR ASSY PR R | 13-1-11 | Mechanism Parts | 1 |
| 1112461 | FILM REGI | 13-1-14 | Mechanism Parts | 1 |
| 2071868 | PWBA ASSY EARTH | 13-1-17 | Mechanism Parts | 1 |
| 1112462 | GEAR ASSY PR L | 13-1-18 | Mechanism Parts | 1 |
| 1265573 | CHASSIS MAIN | 13-1-20 | Mechanism Parts | 1 |
| 2085222 | DRIVE ASSY DEVE | 14-1-01 | Mechanism Parts | 1 |
| 2085223 | DRIVE ASSY MAIN | 14-1-02 | Mechanism Parts | 1 |
| 2089815 | PWBA MCU CPU HBN STD | 15-1-02 | Mechanism Parts | 1 |
| 2071870 | FAN REAR | 15-1-03 | Mechanism Parts | 1 |
| 2071871 | CLAMP GUIDE HARNESS | 15-1-05 | Mechanism Parts | 8 |
| 2087623 | LVPS | 15-1-10 | Mechanism Parts | 1 |

| | | | | |
|-------------------------|-----------------------|-------------------------|------------------|---|
| 2071874 | HARNESS ASSY AC SW | 15-1-11 | Mechanism Parts | 1 |
| 2085228 | PWBA DRV HBN | 15-1-15 | Mechanism Parts | 1 |
| 2085229 | HARNESS ASSY LVNC3 | 15-2-01 | Mechanism Parts | 1 |
| 2071877 | HARNESS ASSY DRV 1 | 15-2-02 | Mechanism Parts | 1 |
| 2086086 | HARNESS ASSY DRV 2.2 | 15-2-03 | Mechanism Parts | 1 |
| 2071879 | HARNESS ASSY LVRPG | 15-2-04 | Mechanism Parts | 1 |
| 2085232 | HARNESS ASSY ROS KA2 | 15-2-05 | Mechanism Parts | 1 |
| 2071881 | HARNESS ASSY 24V | 15-2-06 | Mechanism Parts | 1 |
| 2071882 | HARNESS ASSY FRONT 1 | 15-2-07 | Mechanism Parts | 1 |
| 2071883 | HARNESS ASSY OPF MAIN | 15-2-08 | Mechanism Parts | 1 |
| 2085234 | HARNESS ASSY OPSEA | 15-2-09 | Mechanism Parts | 1 |
| 2071885 | HARNESS ASSY EEPROM | 15-2-10 | Mechanism Parts | 1 |
| 2085235 | HARNESS ASSY TMPNCS | 15-2-12 | Mechanism Parts | 1 |
| 5022816 | JOINT | NONFIG | Packing Material | 1 |
| 5022819 | BAG | NONFIG | Packing Material | 1 |
| 5035543 | PAD TOP PHD | NONFIG | Packing Material | 1 |
| 5035544 | PAD TOP LEFT | NONFIG | Packing Material | 1 |
| 5035545 | PAD TOP RIGHT | NONFIG | Packing Material | 1 |
| 5035546 | PAD BOTTOM REAR | NONFIG | Packing Material | 1 |
| 5035547 | PAD BOTTOM FRONT | NONFIG | Packing Material | 1 |

| Part Code | Part Name | Ref No. | Category | Qty | Remark |
|-----------|-----------|---------|----------|-----|--------|
|-----------|-----------|---------|----------|-----|--------|