

EPSON

ACULASER C4000

Page No.:1

REF	PART NO	DESCRIPTION	SPEC	QTY
01-1-01	2056714	CONTROL PANEL		1
01-1-02	2071848	COVER ASSY FRONT HEAD		1
01-1-03	1110076	COVER FRONT HEAD		1
01-1-09	2071852	FAN FUSER		1
01-1-10	1110078	CVR TOP STOPPER		1
01-1-11	1110079	COVER TOP		1
01-1-12	1110080	COVER ASSY TOP MAIN		1
01-1-19	1110082	LATCH TOP RIGHT		1
01-1-23	1110083	LATCH TOP LEFT		1
01-1-28	1110084	COVER REAR		1
01-1-50	1110077	KIT COVER ASSY TOP		1
01-1-52	1110081	KIT COVER ASSY TOP PHD		1
01-2-01	1110085	COVER SIDE LEFT		1
01-2-02	1110086	COVER SIDE RIGHT		1
01-2-04	1110087	SPRING LINK		2
01-2-05	1110088	LINK		2
01-2-06	1110089	COVER ASSY FRONT		1
01-2-10	1110090	COVER ASSY FRONT IN		1
01-2-12	1110092	TRAY ASSY MSI		1
01-2-19	1110093	TRAY ASSY LOW		1
02-1-08	1110097	STRAP		1
03-1-05	1110098	CHUTE RETARD		1
03-1-06	1110099	ROLL ASSY		1
03-2-01	1110100	GUIDE END		1
03-2-07	1110101	SPRING N/F		2
03-2-21	1110103	ACTUATOR SIZE		3
04-1-01	1110105	COVER FDR FRONT		1
04-1-03	1110106	COVER CASSETTE REAR		1
04-1-04	1110107	BLOCK		3
04-1-06	1110108	CHUTE ASSY TURN		1
04-2-01	1279590	HOUSING FDR LEFT		1
04-2-02	1279591	HOUSING FDR RIGHT		1
04-2-03	2071858	HARNESS ASSY TMPA		1
04-2-04	2061097	ENVIRONMENT SENSOR		1
04-2-05	1053982	FOOT		4
04-2-06	1110111	STOPPER CST		1
04-2-08	1110112	SWITCH SIZE TRAY 1		1
04-2-09	2071859	HARNESS ASSY OPFREC		1
04-2-10	1110113	LEVER LOW PAPER		1
04-2-11	1110115	INDICATOR		1
04-3-01	2071887	PICK UP ASSY		1
04-3-03	1110119	ROLL ASSY FEED		2
04-3-04	2026720	EXIT SENSOR		2
04-3-05	1110120	ACTUATOR NO PAPER		1
04-3-06	1021488	ACTUATOR LINK		1
04-3-17	2071888	SOLENOID FEED TRAY 1		1
04-3-18	1110121	CLUTCH ASSY TURN TRAY 1		1
04-3-21	1110122	ROLL ASSY TURN		1

EPSON

ACULASER C4000

Page No.:2

REF	PART NO	DESCRIPTION	SPEC	QTY
04-3-25	1110099	ROLL ASSY		1
04-3-28	2071860	HARNESS ASSY FEEDER		1
05-1-01	2072698	HOUSING ASSY RETARD		1
05-1-02	1111860	ROLL TURN		1
05-1-05	1111861	ROLL ASSY RETARD		1
05-1-09	2072699	CLUTCH TURN MSI		1
06-1-01	2072701	CHUTE ASSY IN		1
06-1-02	2072702	WIRE ASSY BTR 2		1
06-1-05	2072703	WIRE ASSY DTSK		1
06-1-09	2072704	HARNESS ASSY FSR 2		1
06-1-10	2072706	HARNESS ASSY CTD		1
06-1-11	2072707	SENSOR ASSY ADC		1
06-1-13	2028242	WASTE TONER SENSOR		1
06-1-14	2072708	HARNESS ASSY TFLSNS		1
06-1-18	2072709	DRIVE ASSY FUSER		1
06-1-20	2072710	WIRE ASSY FOR EARTH		1
06-1-21	1111862	LATCH RIGHT		1
06-1-30	1111863	LATCH LEFT		1
06-1-50	1111864	KIT ROLL PINCH TURN		2
06-1-51	1111865	KIT ROLL PINCH DUP		2
07-1-01	2072711	CHUTE ASSY OUT		1
07-1-02	2071861	HARNESS ASSY FRONT 2		1
07-1-03	2071862	HARNESS ASSY		1
07-1-04	2021773	E.R.M. SENSOR		3
07-1-05	1111867	ACTUATOR FULL STACK		1
07-1-12	1111866	ROLL DUP		1
07-1-13	1111868	ACTUATOR DUP		1
07-1-23	2072712	HARNESS ASSY DUP		1
07-1-27	1111869	ROLL ASSY FEED		1
07-1-37	1111870	ACTUATOR MSI		1
07-1-40	1111871	SOLENOID FEED MSI		1
07-1-43	2072713	WIRE ASSY DUP EARTH		1
07-1-50	1111873	KIT ROLL PINCH EXIT		2
07-1-51	1111874	KIT ROLL PINCH		2
08-1-01	1111875	CHUTE ASSY EXIT		1
08-1-04	1111876	ROLL EXIT		1
08-1-05	1111877	ROLL MID		1
08-1-08	2072714	MOTOR ASSY DUP		1
09-1-01	2072792	FUSER ASSY		1
10-1-01	2072788	CHUTE ASSY REG		1
10-1-12	2072790	CLUTCH REG.		1
10-1-20	2021773	E.R.M. SENSOR		1
10-1-21	1112416	ACTUATOR REGI		1
10-1-23	1112417	HOUSING ASSY		1
10-1-30	2071863	KIT SENSOR OHP		1
11-1-01	2072791	ROS ASSY		1
11-1-04	1112434	HSG ASSY BIAS		1
11-1-05	1112438	STUD PLUNGER		8

EPSON

ACULASER C4000

Page No.:3

REF	PART NO	DESCRIPTION	SPEC	QTY
11-1-50	1112431	KIT HSG ASSY BIAS		1
12-1-06	2071864	HARNESS ASSY TNR		1
12-1-08	2071865	PWB EEPROM		1
12-1-09	2071866	HVPS SUB		1
12-2-01	2072815	HOLDER TONER ASSY (Y)		1
12-2-02	2072818	HOLDER TONER ASSY (M)		1
12-2-03	2072819	HOLDER TONER ASSY (C)		1
12-2-04	2072820	HOLDER TONER ASSY (K)		1
12-2-09	2072816	SENSOR TONER LOW		4
12-2-10	1112443	SWITCH TCRU ASSY		4
12-3-01	2072821	PLATE ASSY DISPENSER		1
12-3-08	2071867	HARNESS ASSY DRUM		1
12-3-13	1112451	RACK V		1
12-3-14	1112452	GEAR SLIDE		1
12-3-15	1112453	RACK H		1
13-1-02	1112454	BRACKET LEVER		2
13-1-04	1112455	LEVER DRUM		8
13-1-05	1112456	SPRING LEVER 30N		8
13-1-08	1112457	ACTUATOR I/L		1
13-1-10	1112459	GEAR IDLER PRESS		2
13-1-11	1112460	GEAR ASSY PR R		1
13-1-14	1112461	FILM REG.		1
13-1-17	2071868	PWBA ASSY EARTH		1
13-1-18	1112462	GEAR ASSY PR L		1
13-1-20	1112463	CHASSIS MAIN		1
14-1-01	2072825	DRIVE ASSY MAIN		1
14-1-02	2072824	DRIVE ASSY DEV.		1
15-1-02	2071869	PWBA ASSY MCU&LVPS		1
15-1-03	2071870	FAN REAR		1
15-1-05	2071871	CLAMP GUIDE HARNESS		8
15-1-09	2037314	POWER CORD		1
15-1-10	2071872	LVPS		1
15-1-11	2071874	HARNESS ASSY AC SW		1
15-1-15	2071875	PWBA DRIVER		1
15-2-01	2071876	HARNESS ASSY LVNC		1
15-2-02	2071877	HARNESS ASSY DRV 1		1
15-2-03	2071878	HARNESS ASSY DRV 2		1
15-2-04	2071879	HARNESS ASSY LVRPG		1
15-2-05	2071880	HARNESS ASSY ROS		1
15-2-06	2071881	HARNESS ASSY 24V		1
15-2-07	2071882	HARNESS ASSY FRONT 1		1
15-2-08	2071883	HARNESS ASSY OPF MAIN		1
15-2-09	2071884	HARNESS ASSY OPEPANE A		1
15-2-10	2071885	HARNESS ASSY EEPROM		1
15-2-12	2071886	HARNESS ASSY TMPB		1
16-1-05	2056583	BOARD ASSY., MAIN		1
16-1-10	1112464	PANEL REAR		1
16-1-12	1112466	GUIDE LEFT		1

EPSON

ACULASER C4000

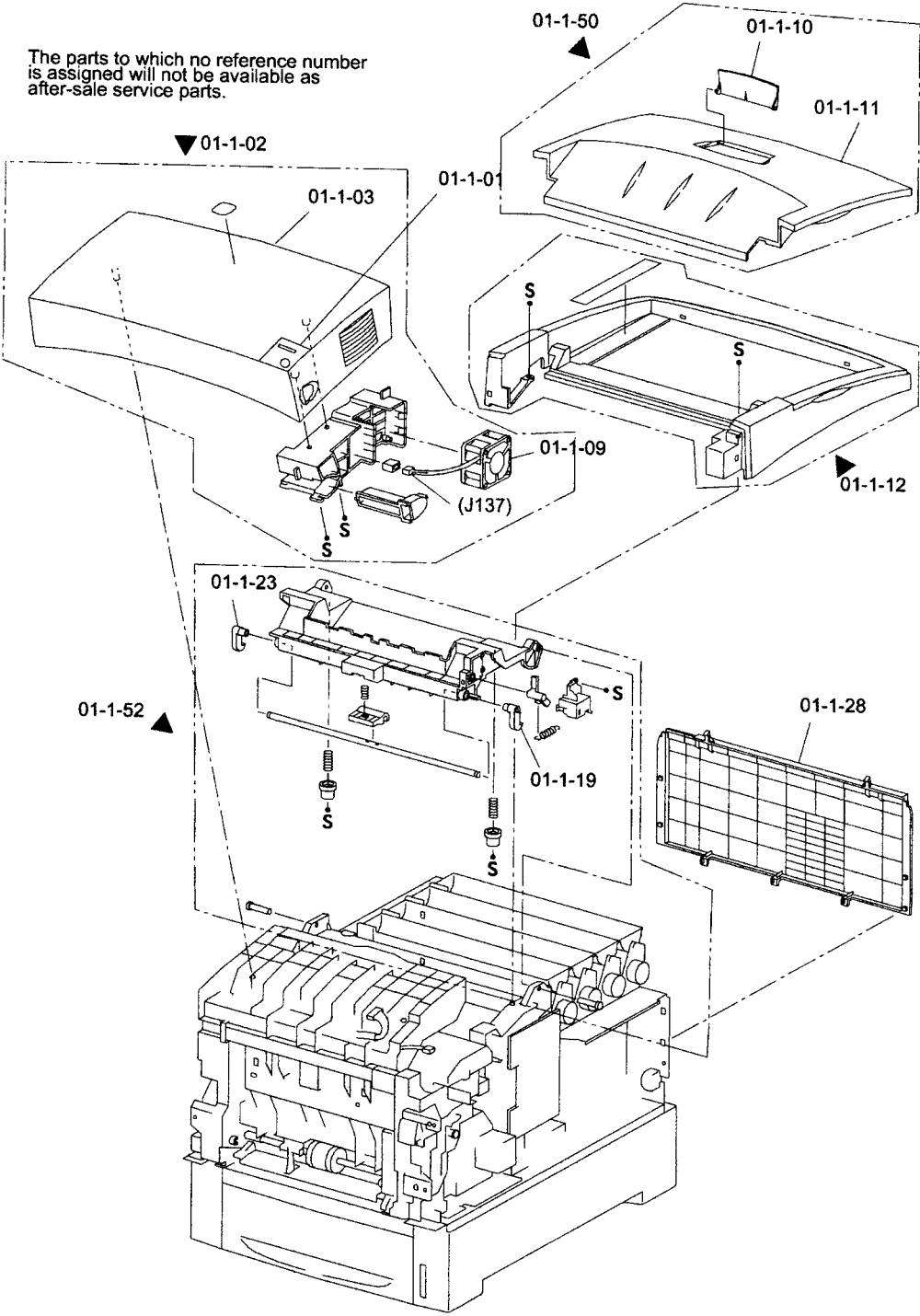
Page No.:4

REF	PART NO	DESCRIPTION	SPEC	QTY
16-1-13	1112467	GUIDE RIGHT		1
16-1-51	2056585	BOARD ASY MEMORY		
16-1-200	2055967	RAM DIMM		1
16-1-202	1012848	GUIDE RAIL		1
16-1-203	1012855	GROUNDING SPRING,TYPE-B		1
N/A	1058403	LOGO PLATE 10X40;C		1
N/A	1112470	DC TOOL W/O ADAPTER		1
END				

EPSON ACULASER C4000

Page No.:5

The parts to which no reference number is assigned will not be available as after-sale service parts.

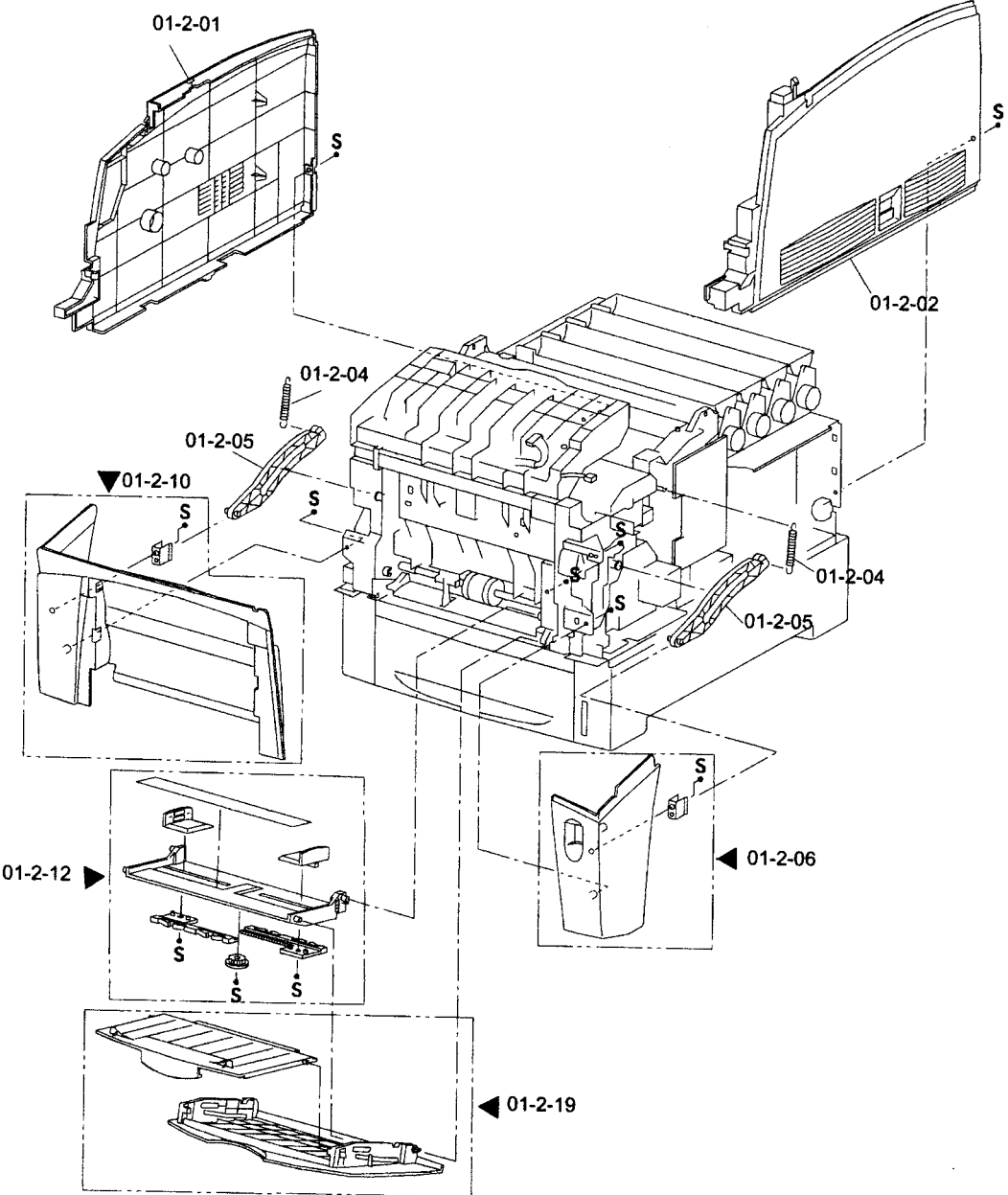


AcuLaserC4000 (1.1)

EPSON ACULASER C4000

Page No.:6

The parts to which no reference num
is assigned will not be available as
after-sale service parts.

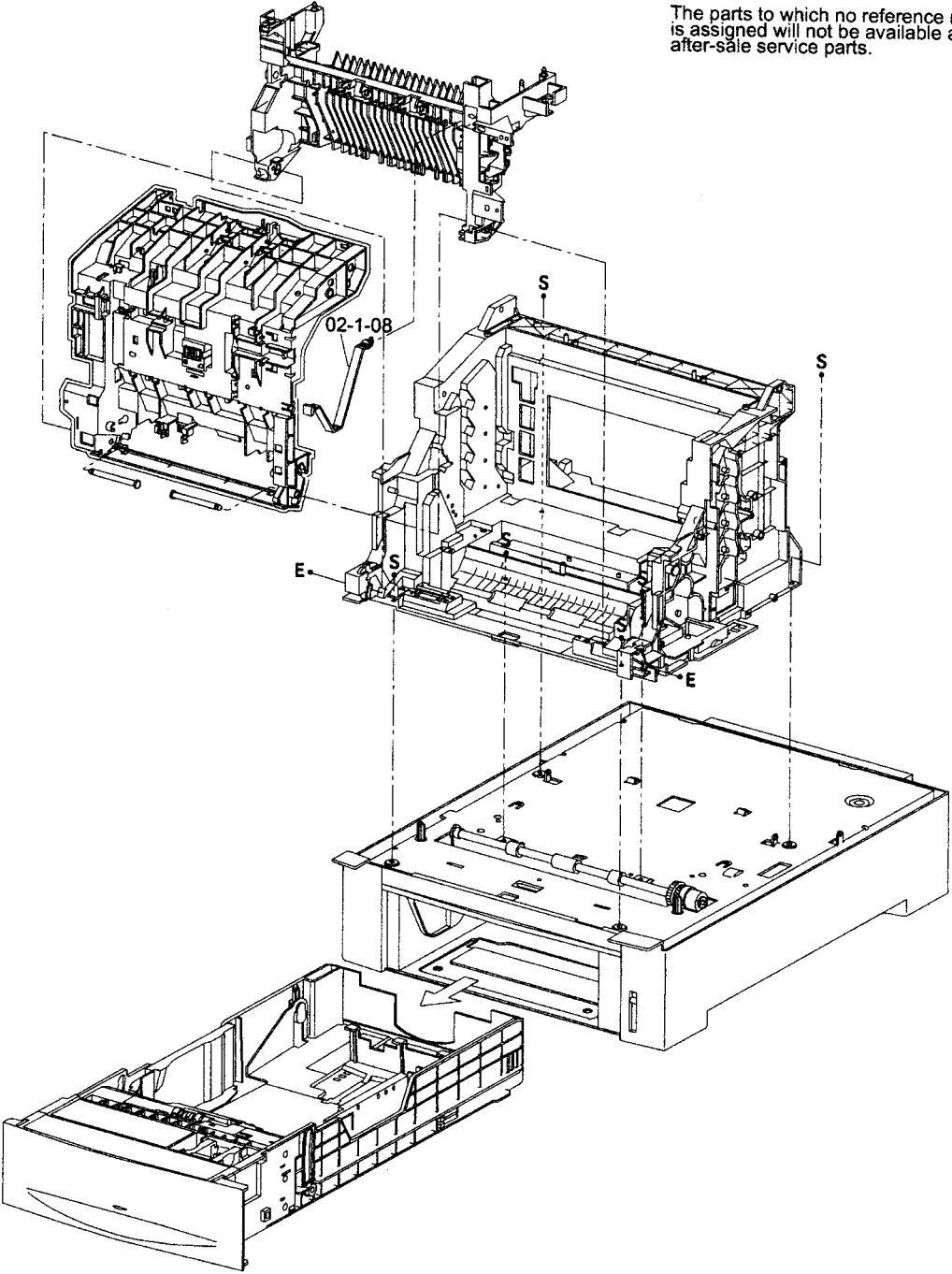


AcuLaser C4000 (1.2)

EPSON ACULASER C4000

Page No.:7

The parts to which no reference number is assigned will not be available as after-sale service parts.

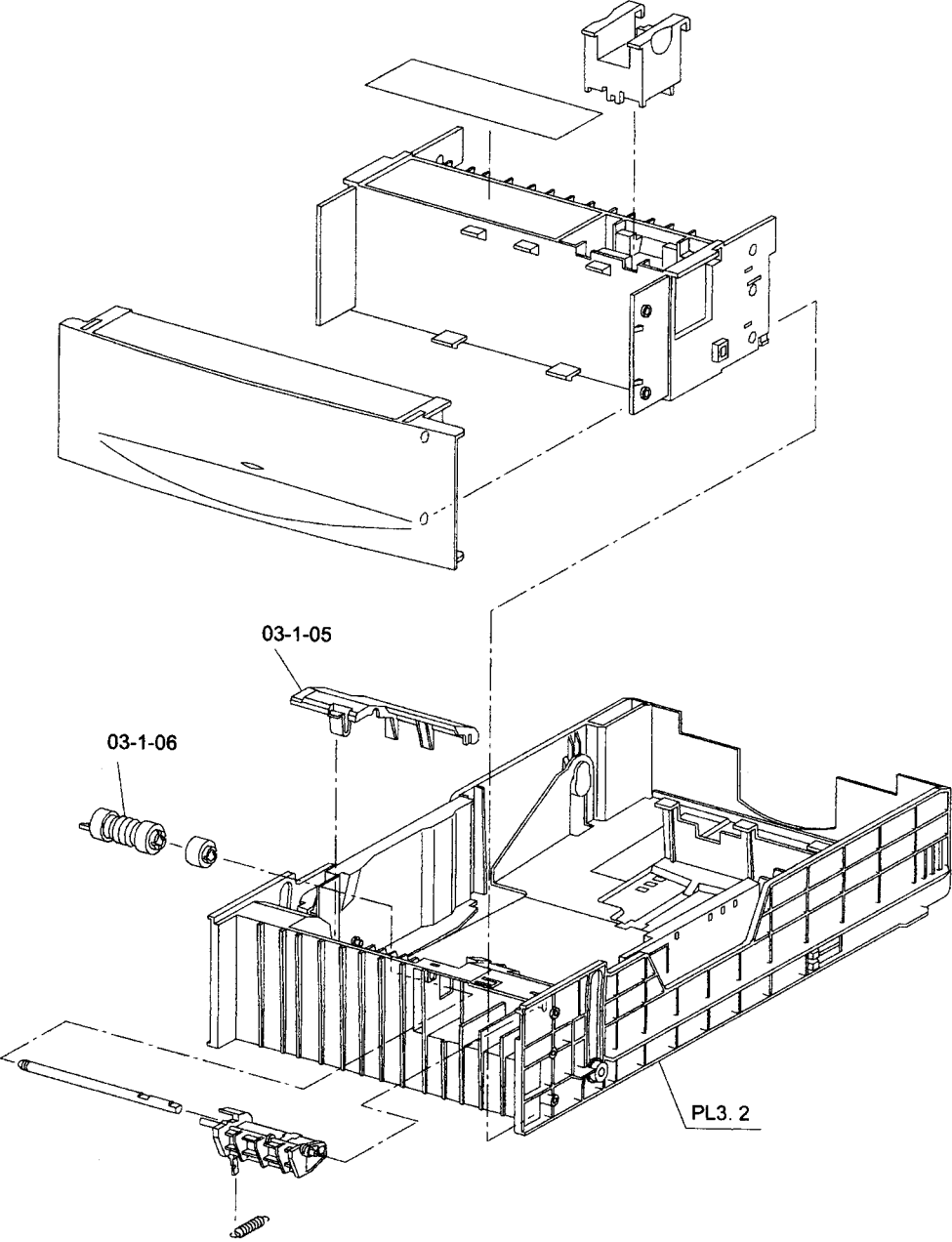


AcuLaserC4000 (2.1)

EPSON ACULASER C4000

Page No.:8

The parts to which no reference number is assigned will not be available as after-sale service parts.

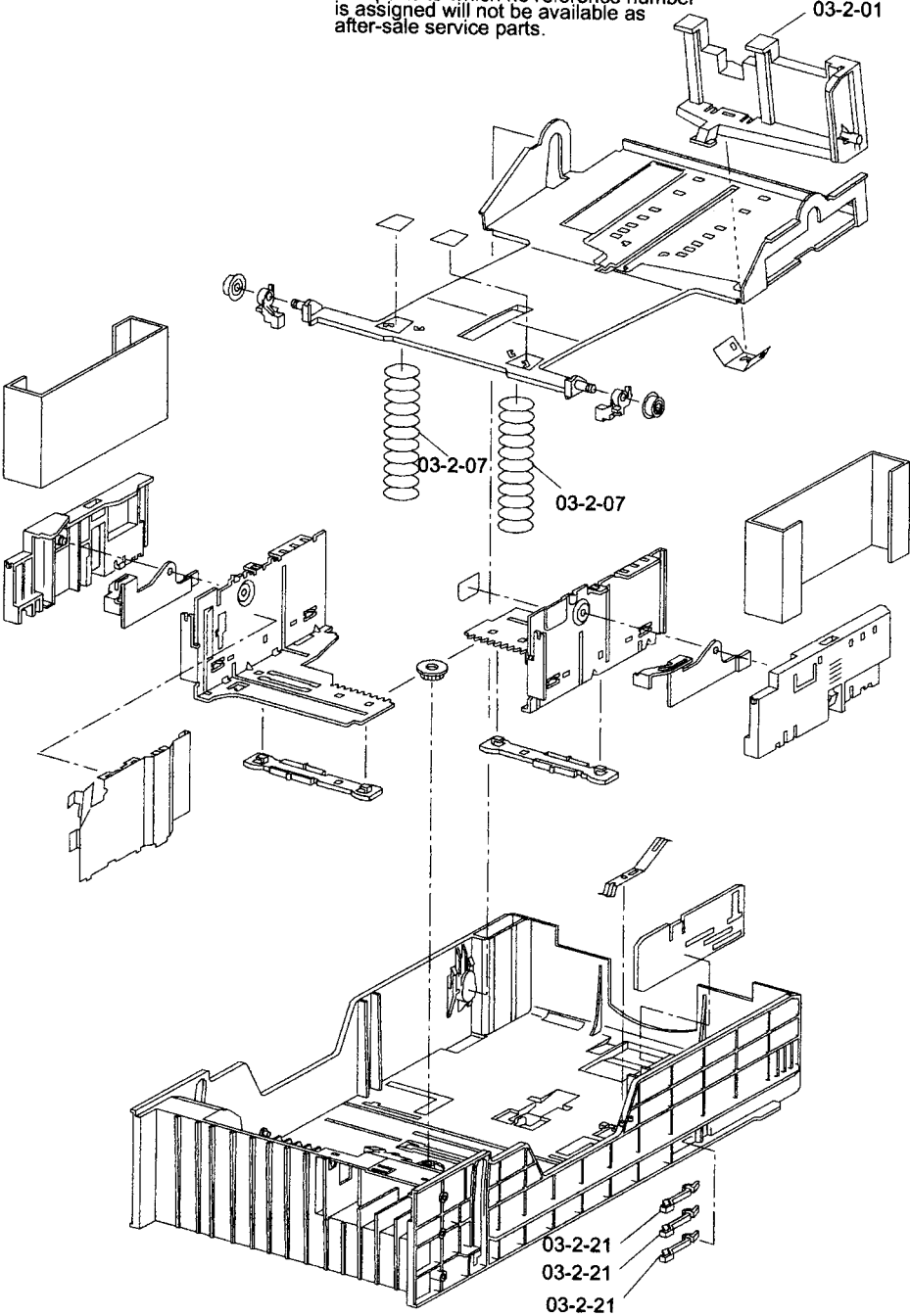


AcuLaserC4000 (3.1)

EPSON ACULASER C4000

Page No.:9

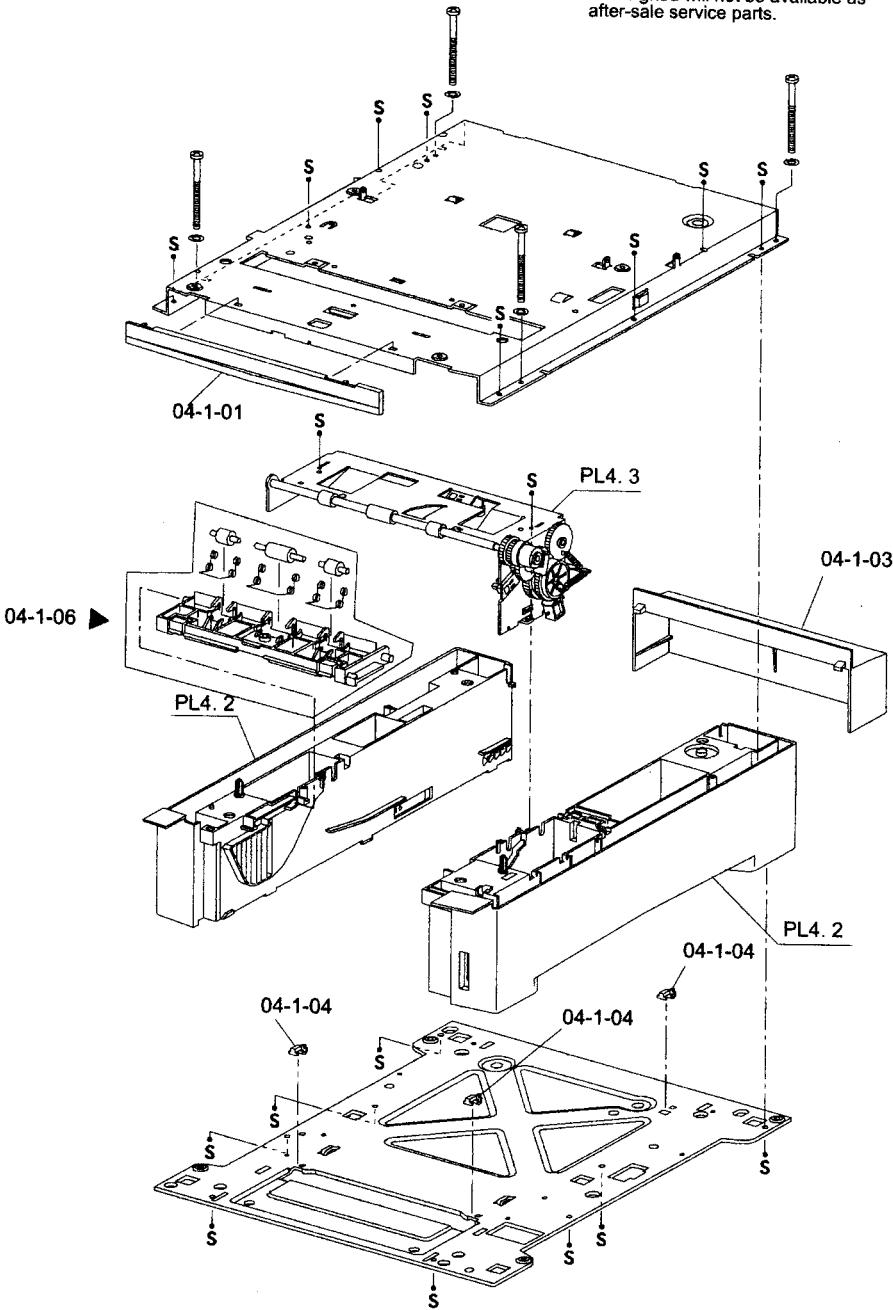
The parts to which no reference number is assigned will not be available as after-sale service parts.



AcuLaserC4000 (3.2)

EPSON ACULASER C4000

The parts to which no reference number is assigned will not be available as after-sale service parts.

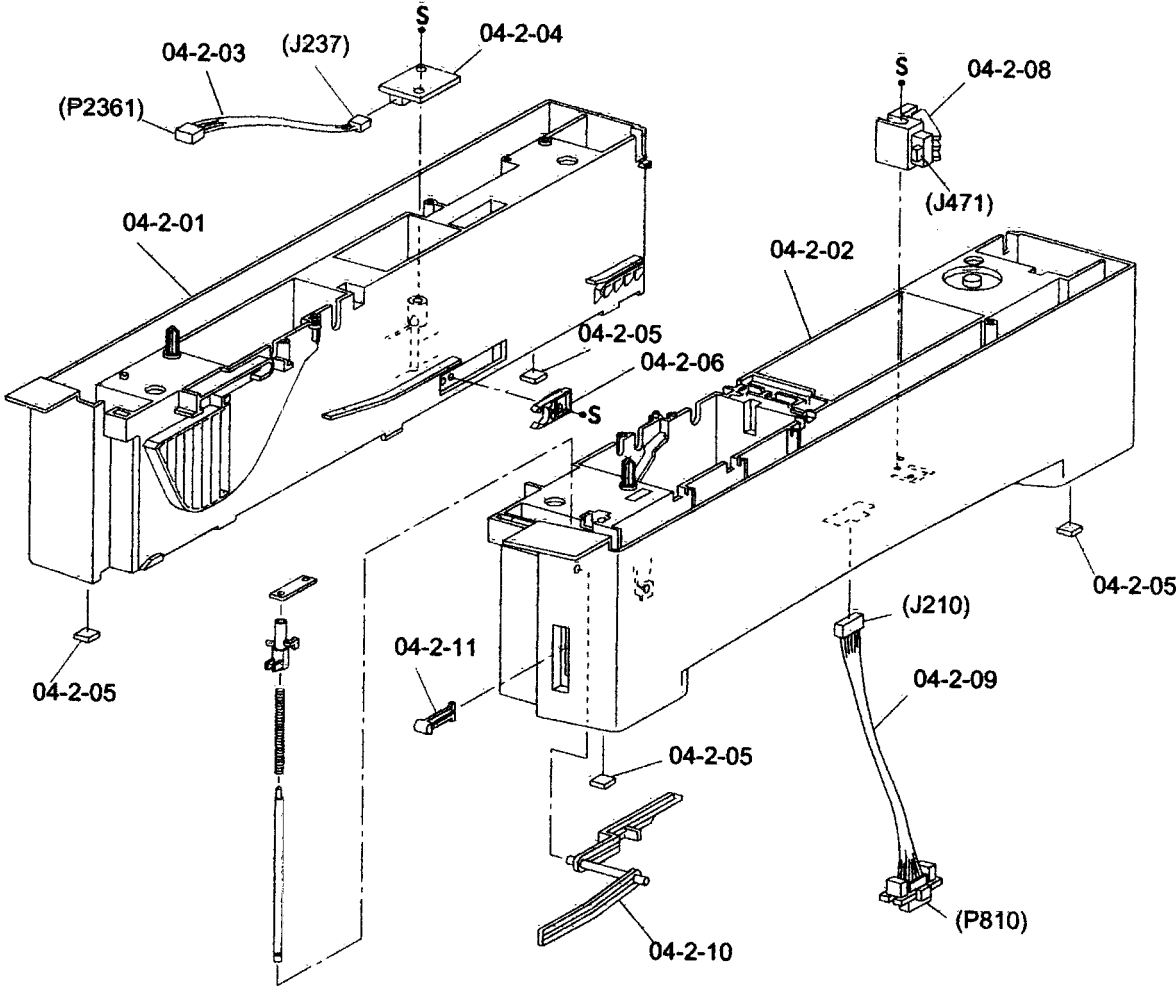


AcuLaserC4000 (4.1)

EPSON ACULASER C4000

Page No.:11

The parts to which no reference number is assigned will not be available as after-sale service parts.

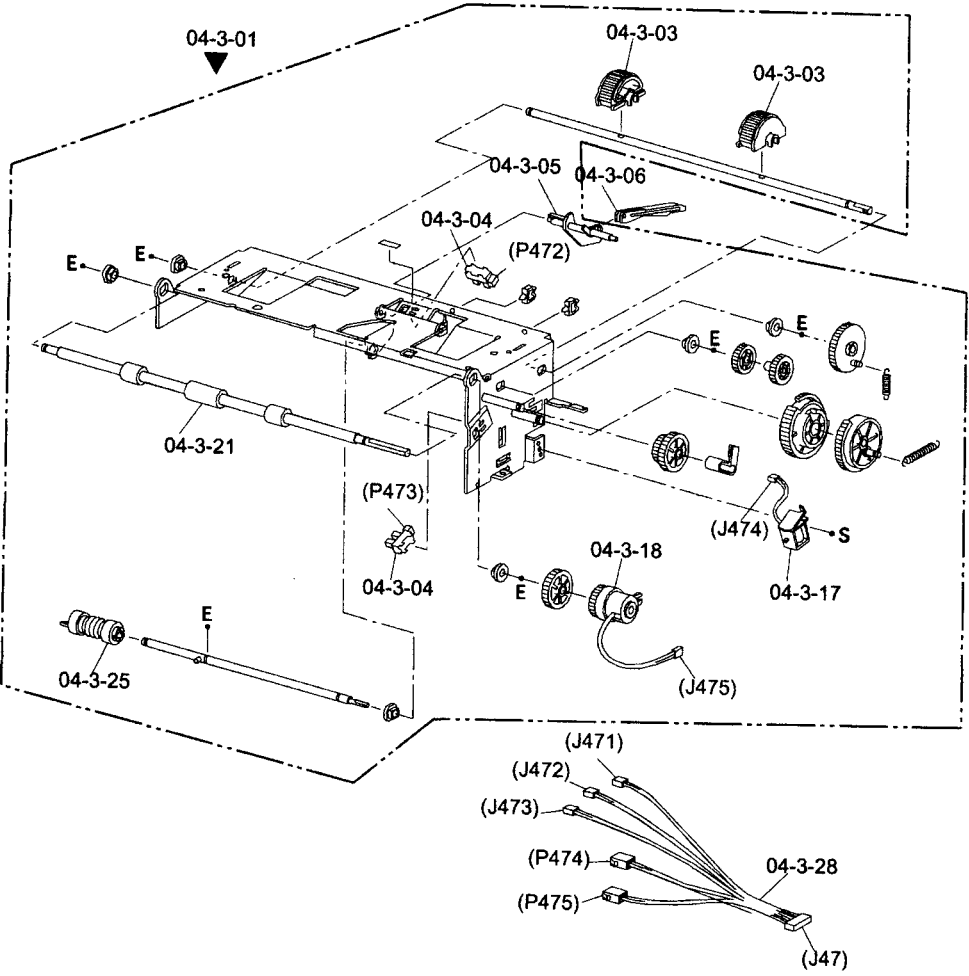


AcuLaserC4000 (4.2)

EPSON

ACULASER C4000

The parts to which no reference number is assigned will not be available as after-sale service parts.

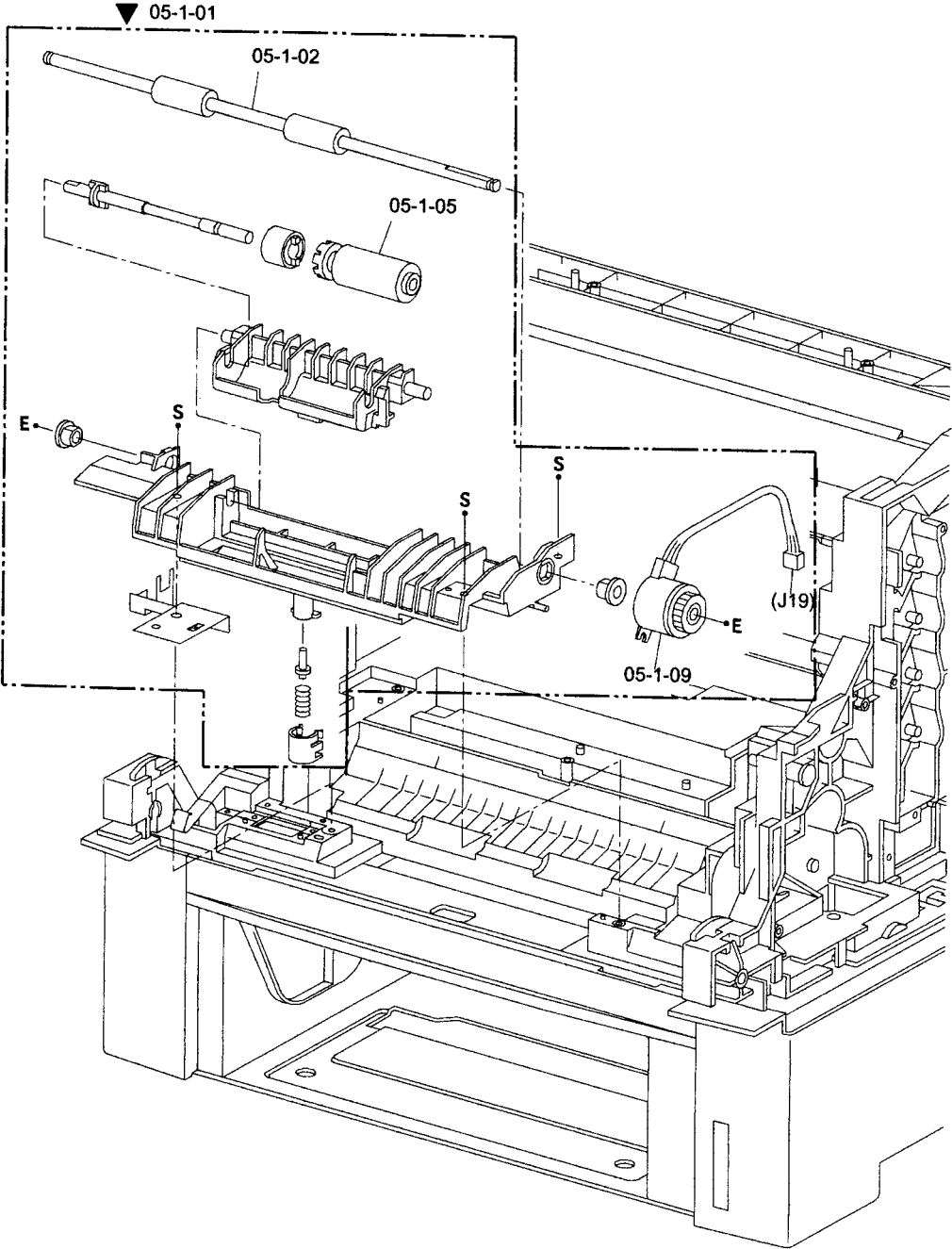


AcuLaserC4000 (4.3)

EPSON ACULASER C4000

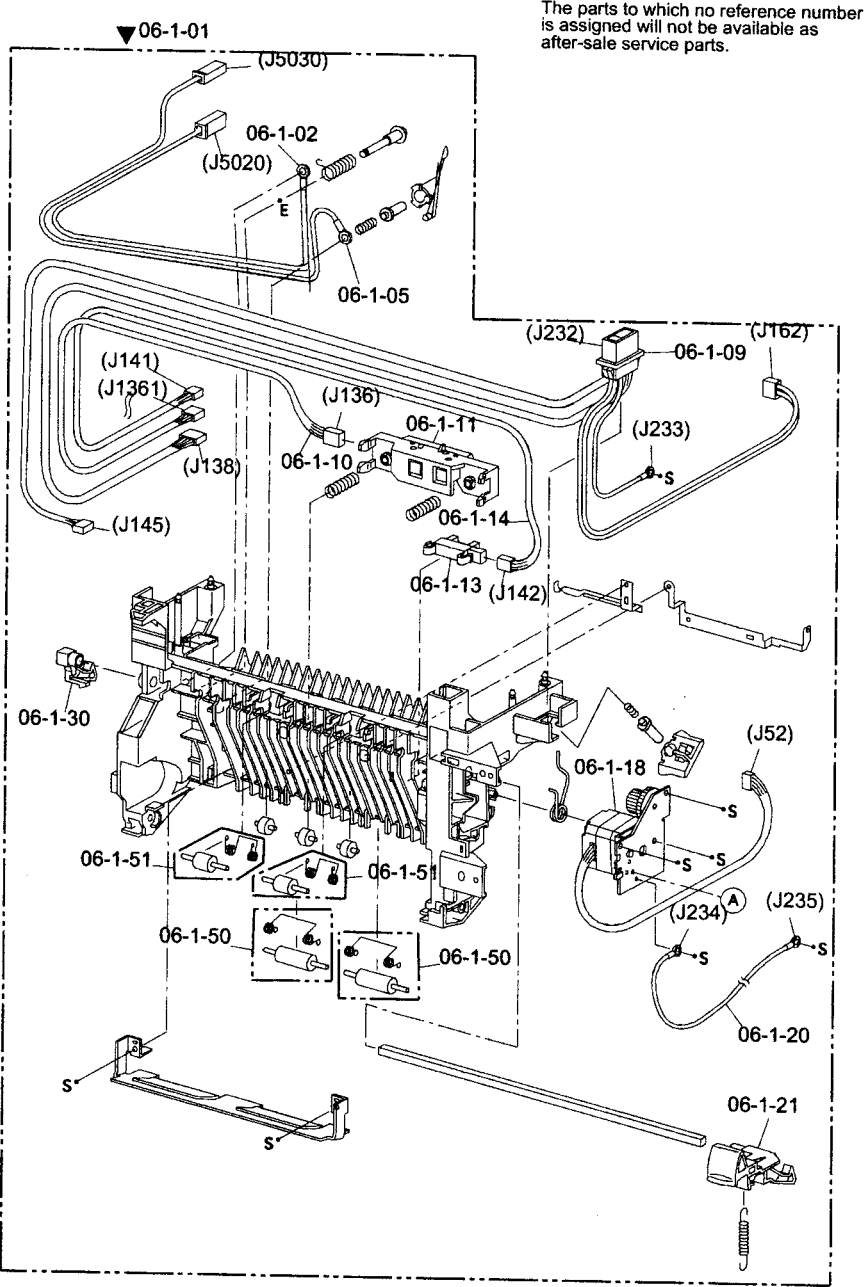
Page No.:13

The parts to which no reference number is assigned will not be available as after-sale service parts.



AcuLaserC4000 (5.1)

EPSON ACULASER C4000

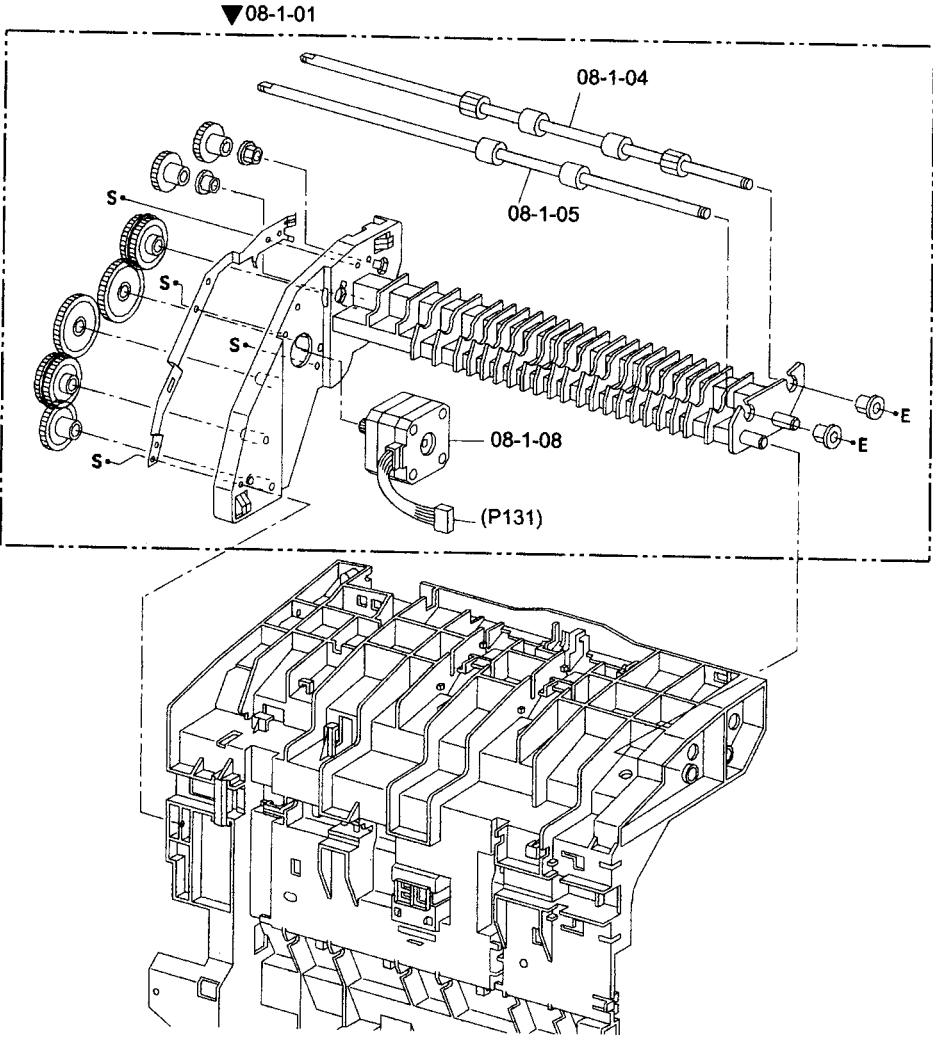


AcuLaserC4000 (6.1)

EPSON ACULASER C4000

Page No.:16

The parts to which no reference number is assigned will not be available as after-sale service parts.

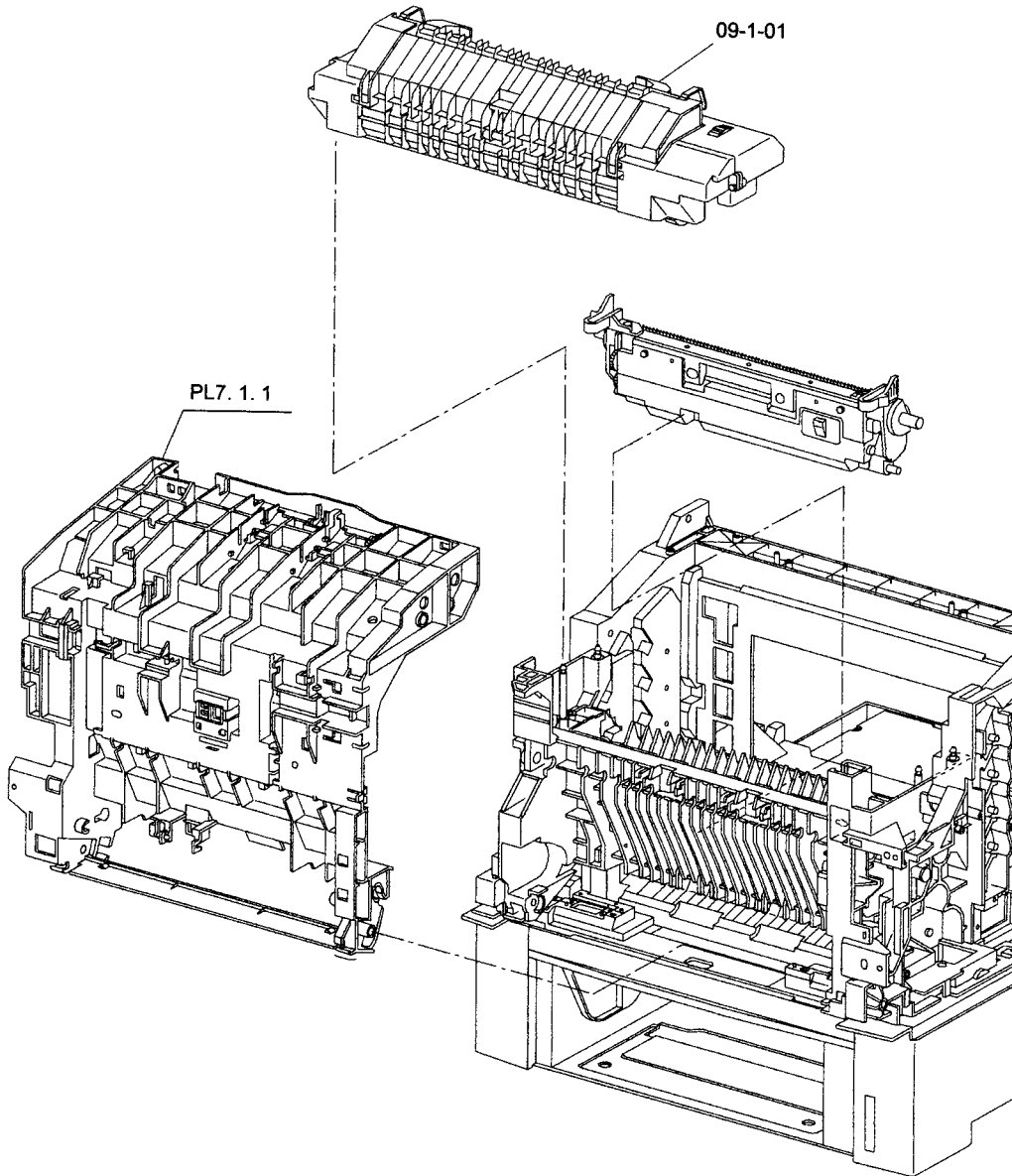


EPSON

ACULASER C4000

Page No.:17

The parts to which no reference number is assigned will not be available as after-sale service parts.

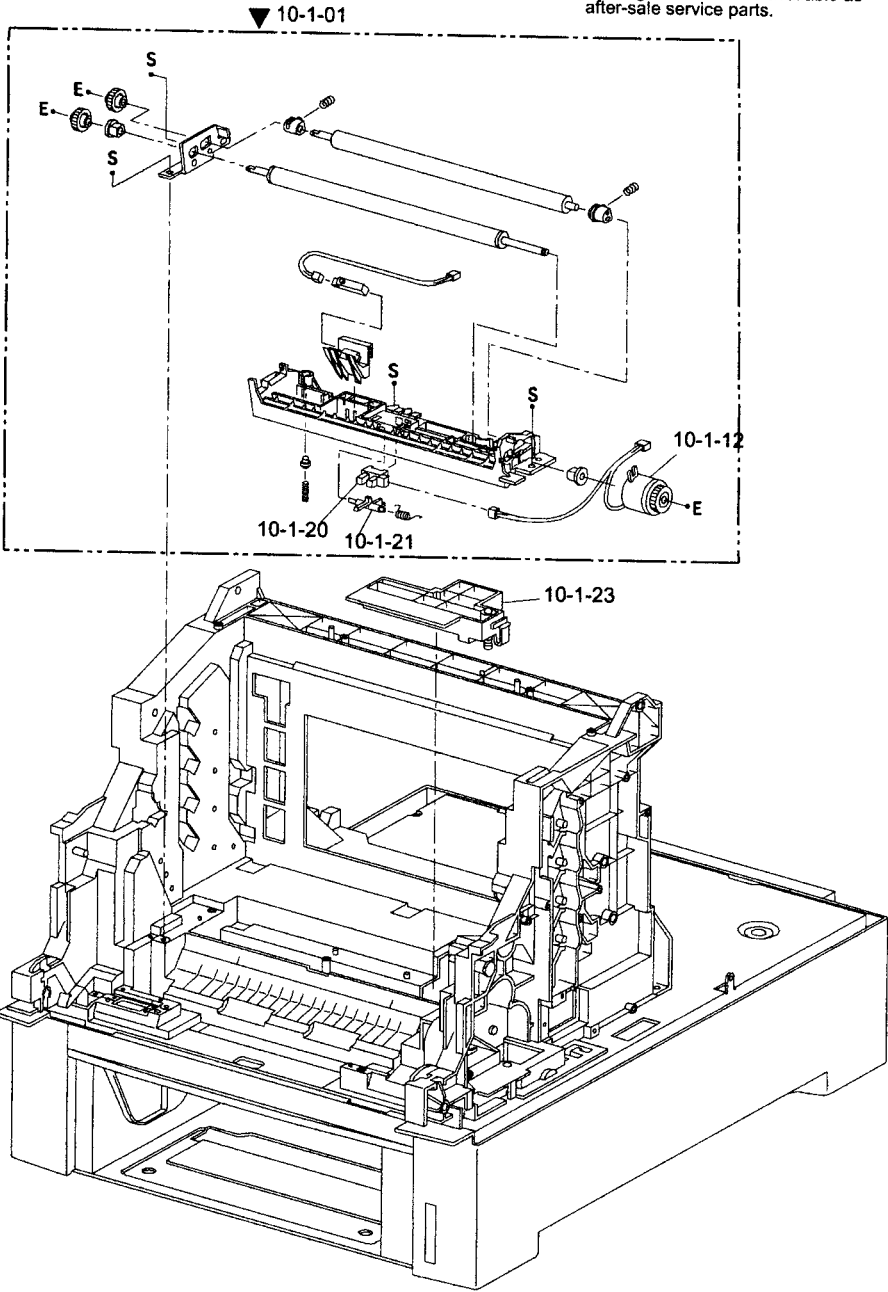


AcuLaserC4000 (9.1)

EPSON ACULASER C4000

Page No.:18

The parts to which no reference number is assigned will not be available as after-sale service parts.

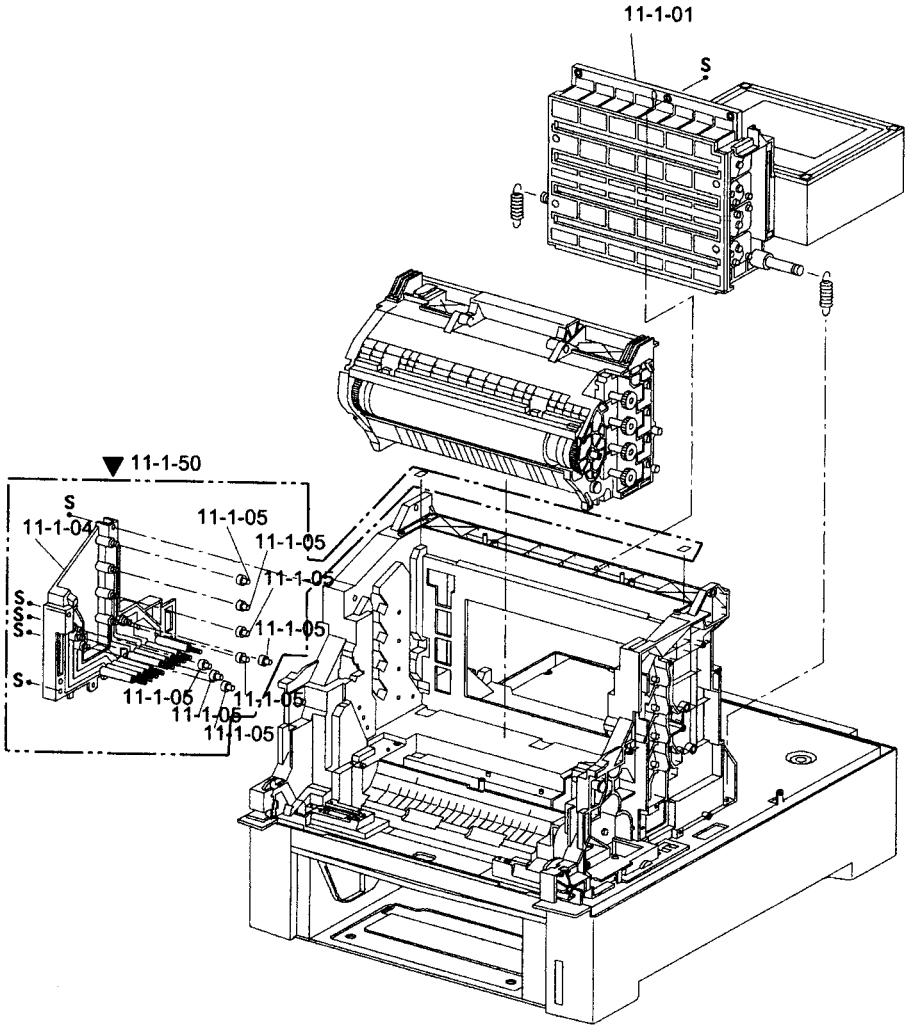


AcuLaserC4000 (10.1)

EPSON ACULASER C4000

Page No.:19

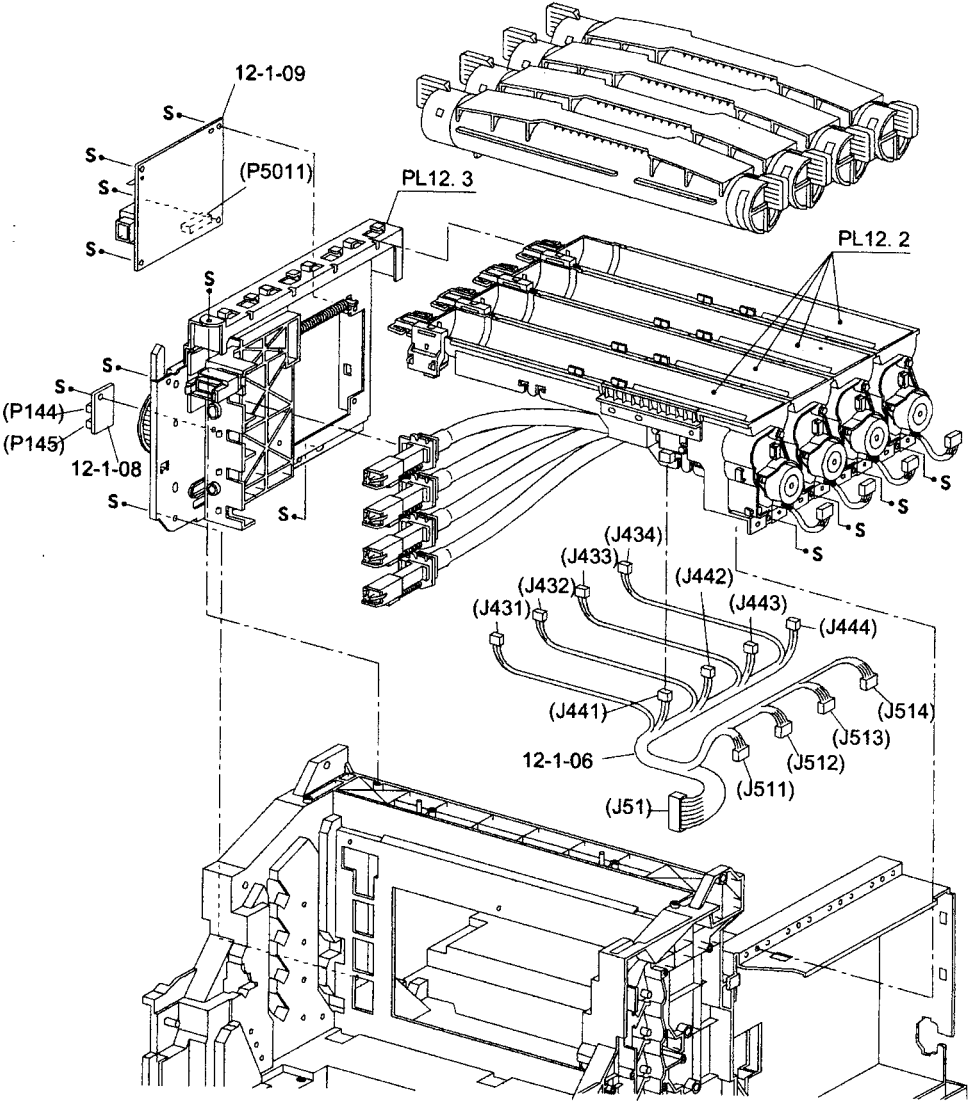
The parts to which no reference number is assigned will not be available as after-sale service parts.



AcuLaserC4000 (11.1)

EPSON ACULASER C4000

The parts to which no reference number is assigned will not be available as after-sale service parts.

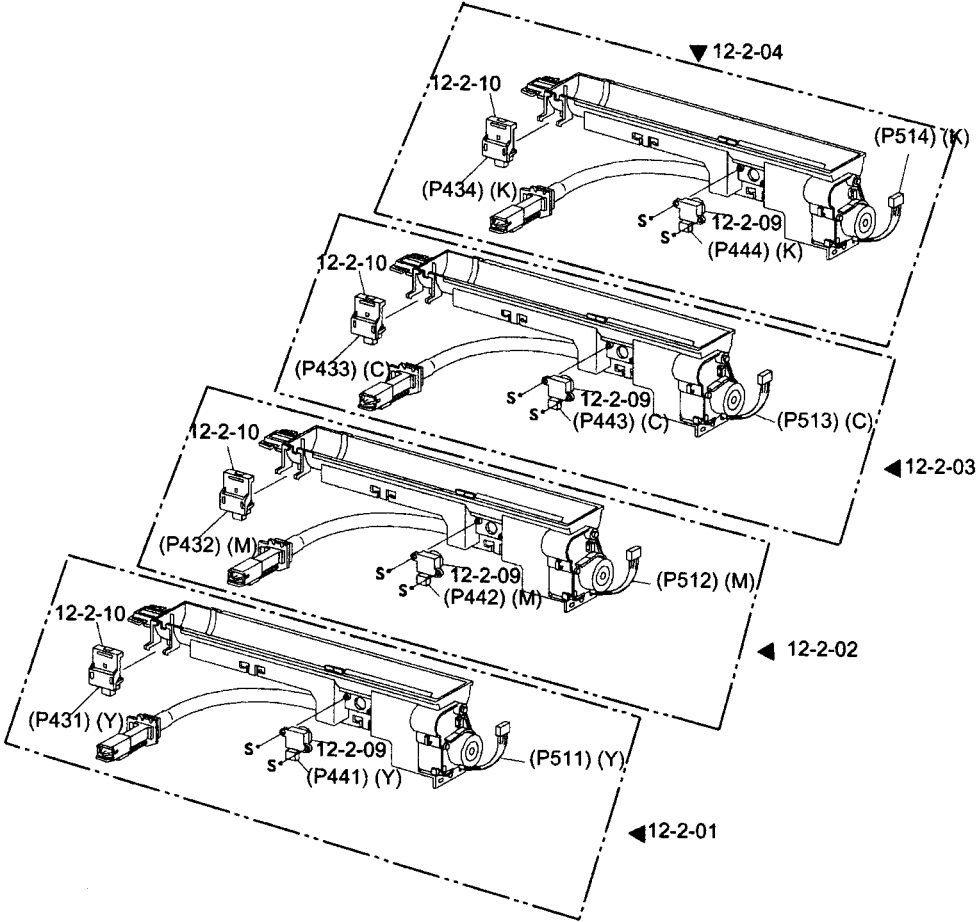


AcuLaserC4000 (12.1)

EPSON

ACULASER C4000

The parts to which no reference number is assigned will not be available as after-sale service parts.



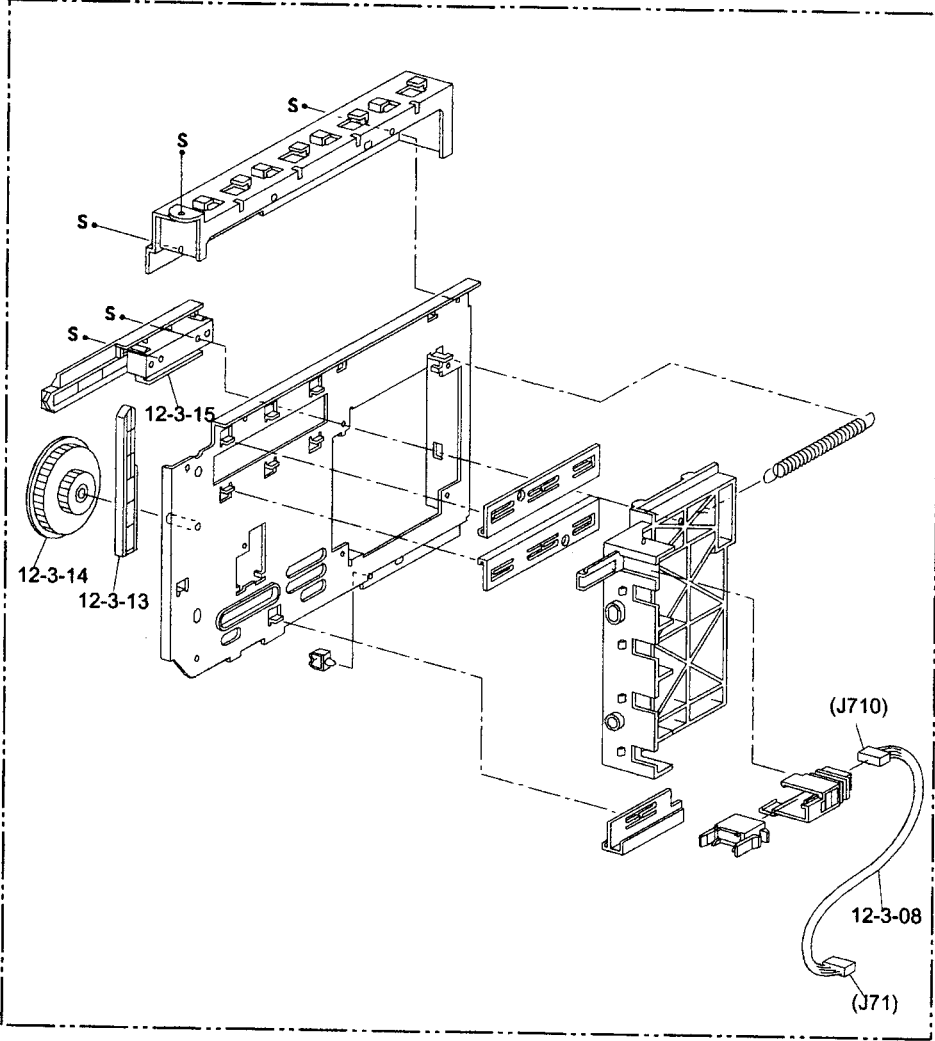
AcuLaserC4000 (12.2)

EPSON ACULASER C4000

Page No.:22

The parts to which no reference number is assigned will not be available as after-sale service parts.

▼12-3-01

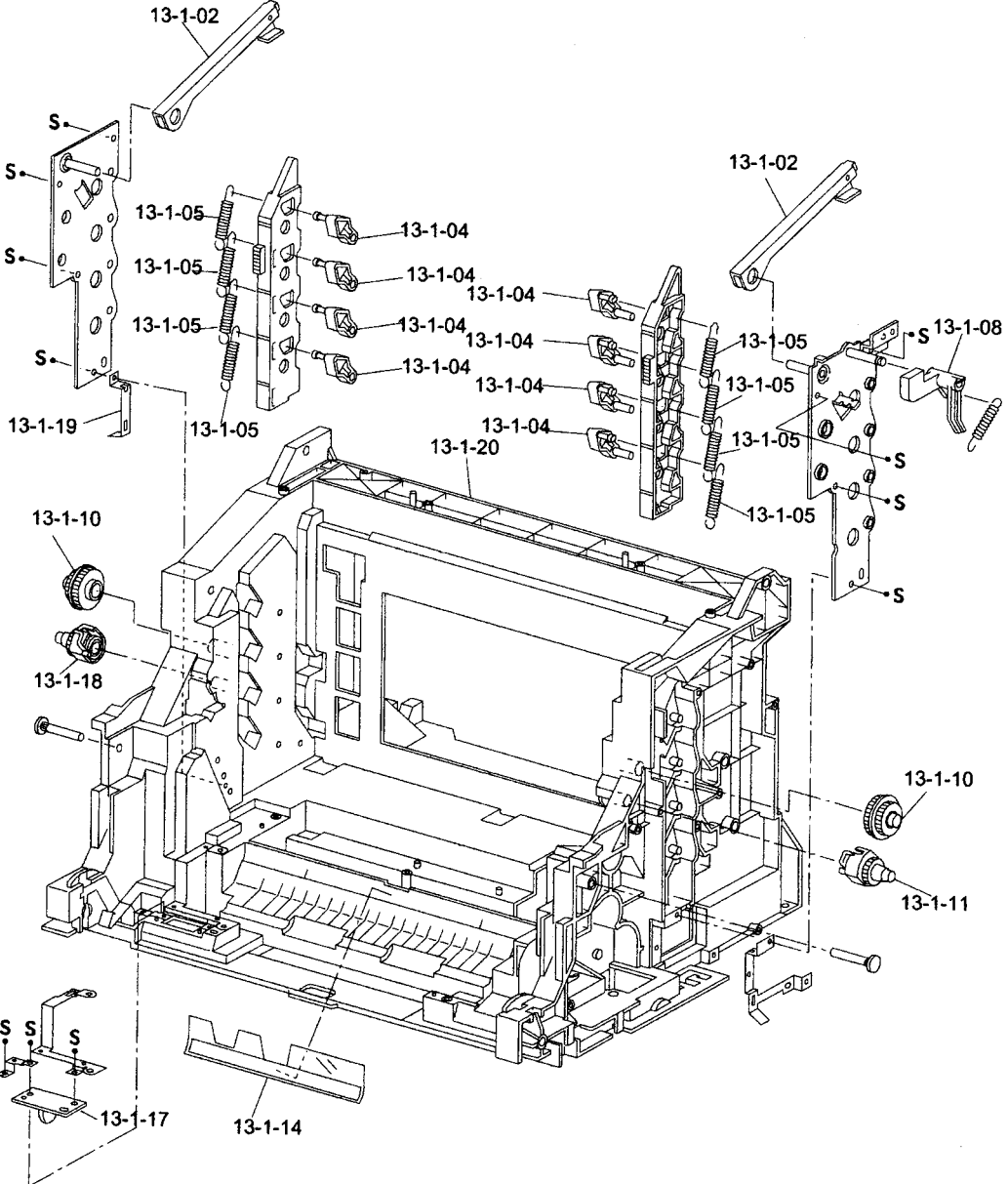


AcuLaserC4000 (12.3)

EPSON ACULASER C4000

Page No.:23

The parts to which no reference number is assigned will not be available as after-sale service parts.

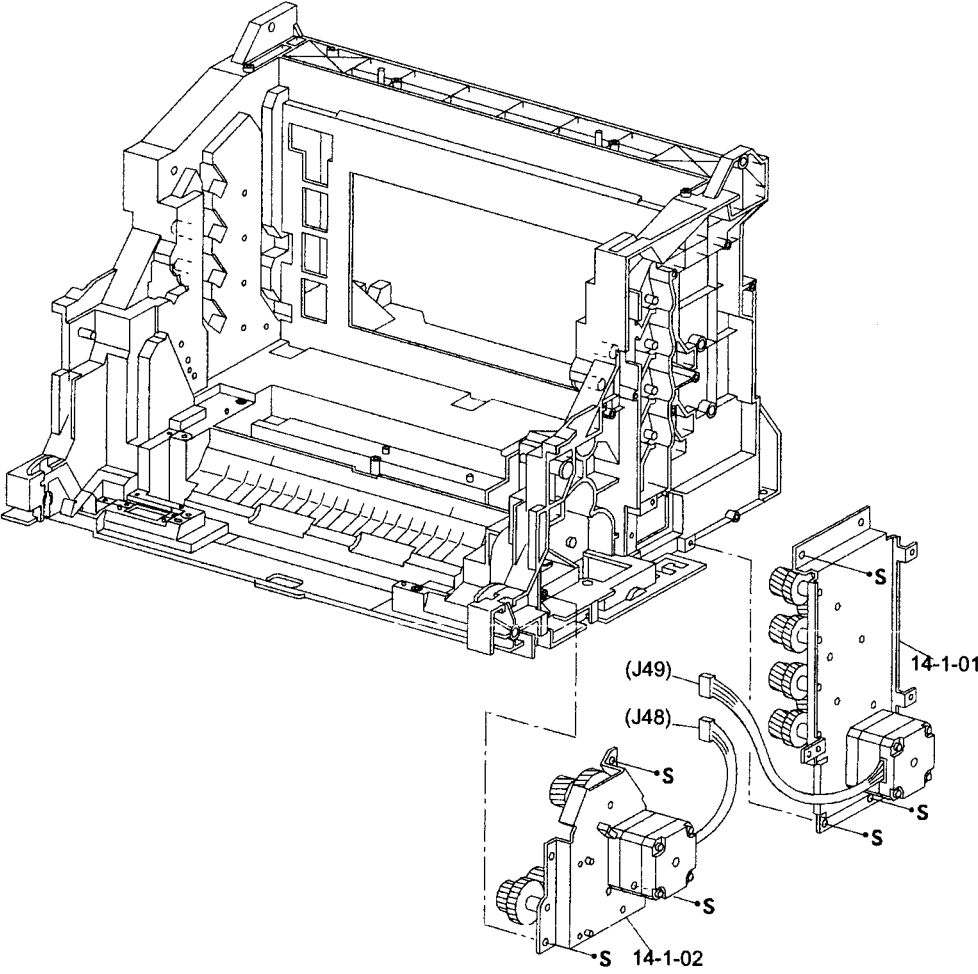


AcuLaserC4000 (13.1)

EPSON ACULASER C4000

Page No.:24

The parts to which no reference number is assigned will not be available as after-sale service parts.

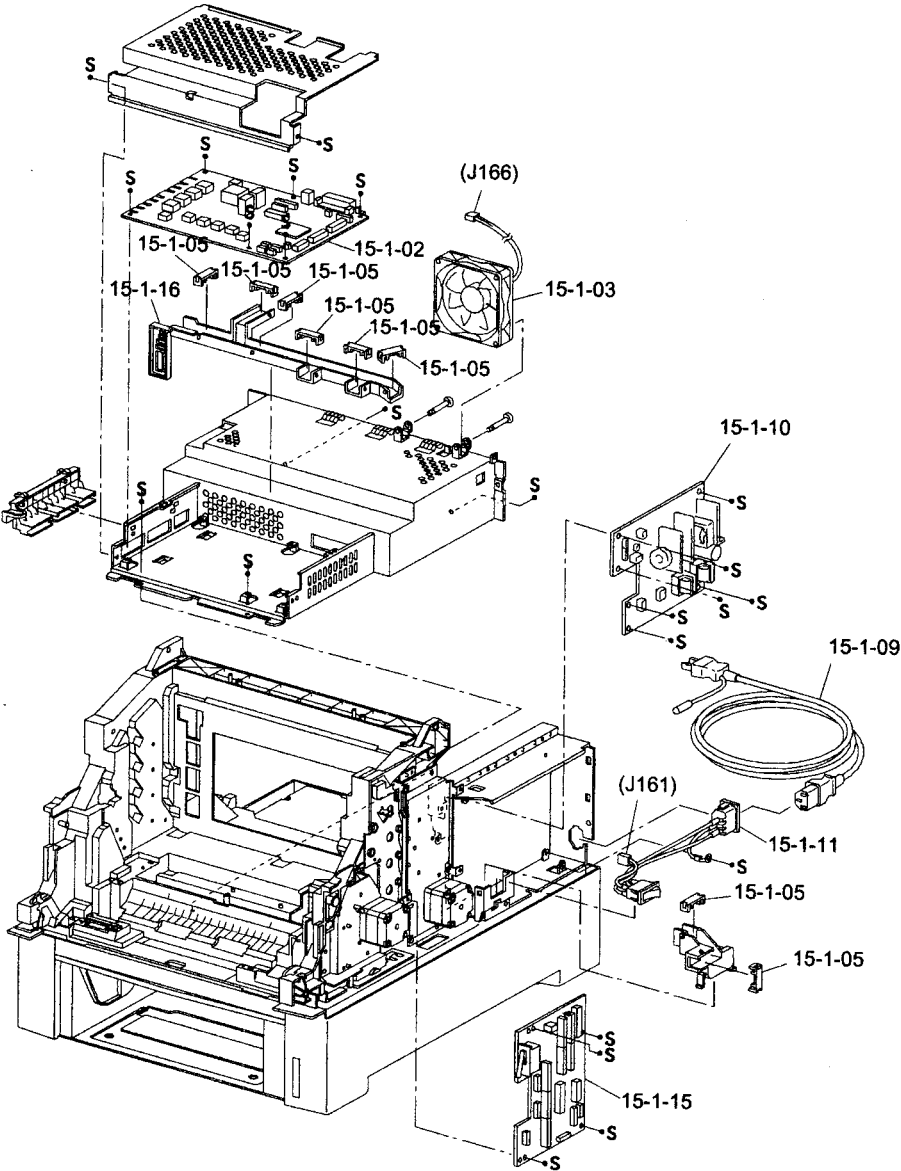


AcuLaserC4000 (14.1)

EPSON ACULASER C4000

Page No.:25

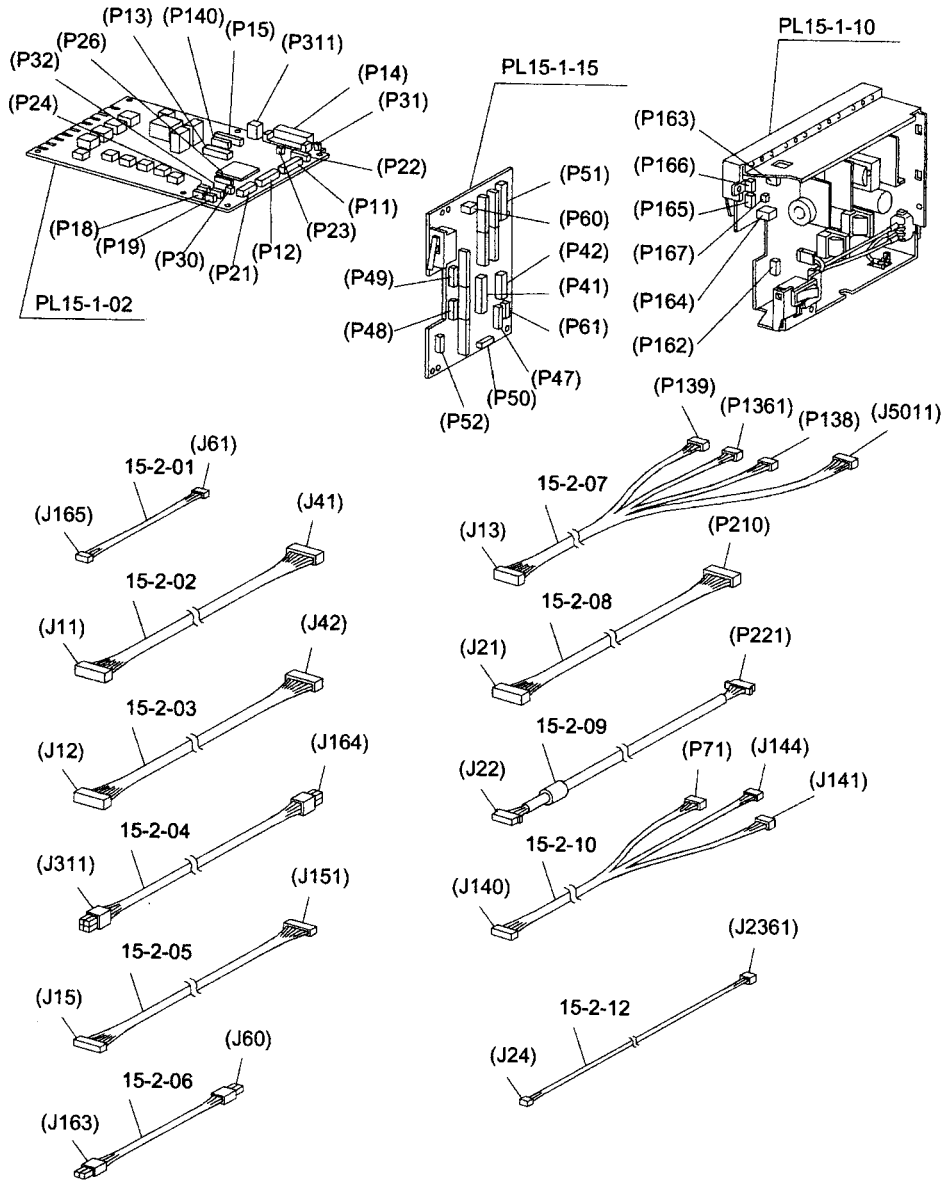
The parts to which no reference number is assigned will not be available as after-sale service parts.



EPSON ACULASER C4000

Page No.:26

The parts to which no reference number is assigned will not be available as after-sale service parts.

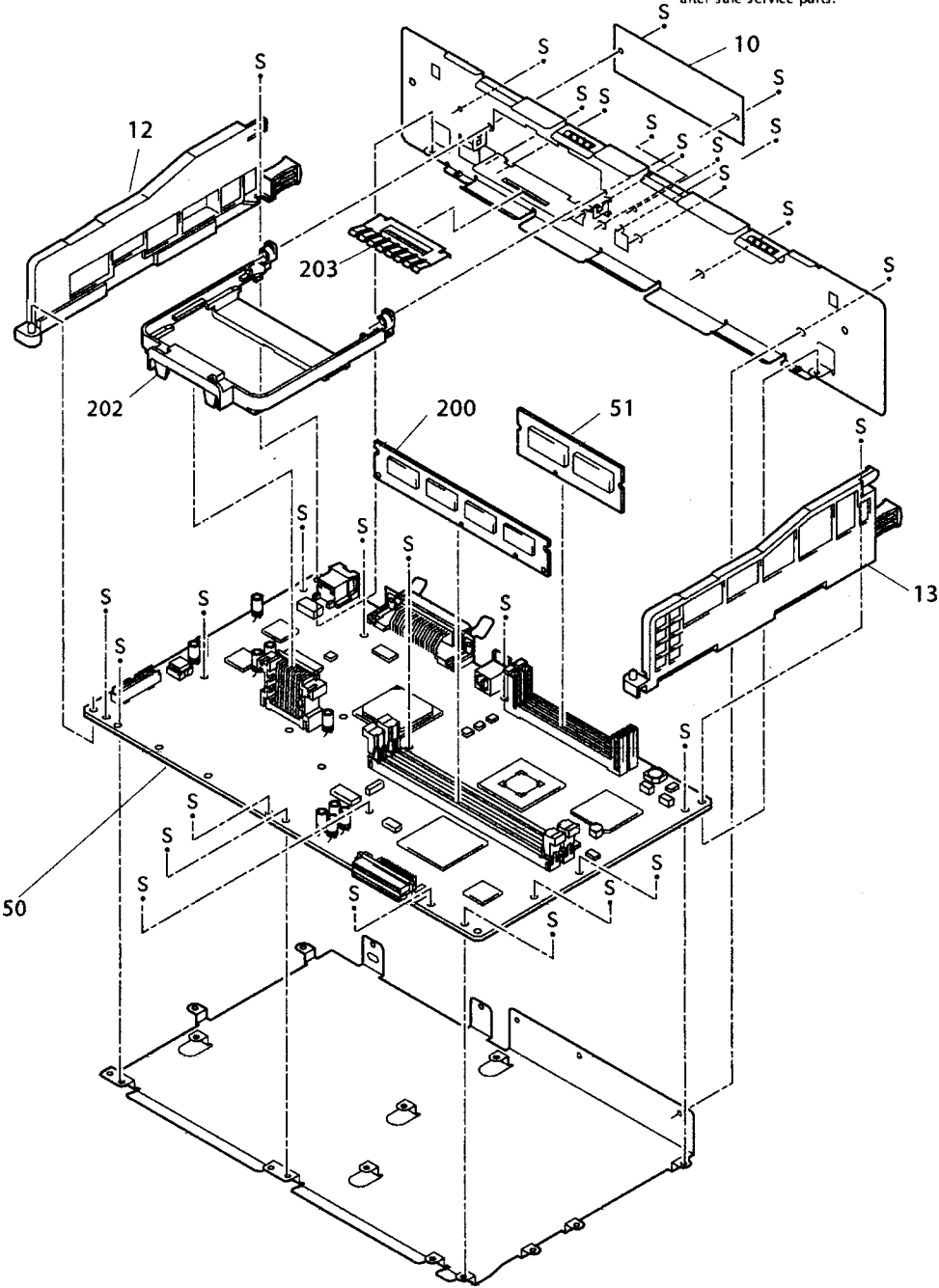


HANABI_BE_CHAP05_022Fb

EPSON ACULASER C4000

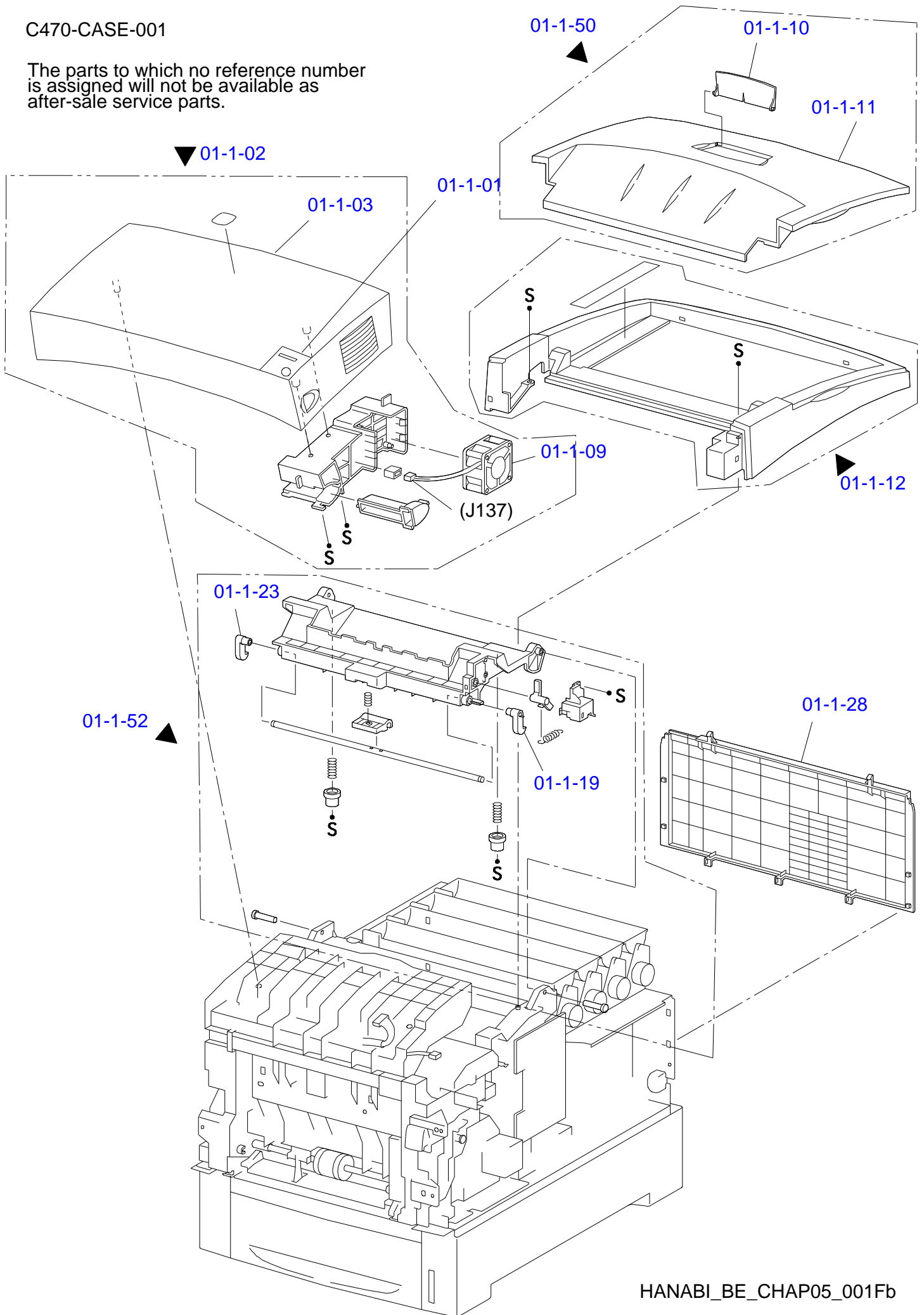
Page No.:27

The parts to which no reference number is assigned will not be available as after-sale service parts.



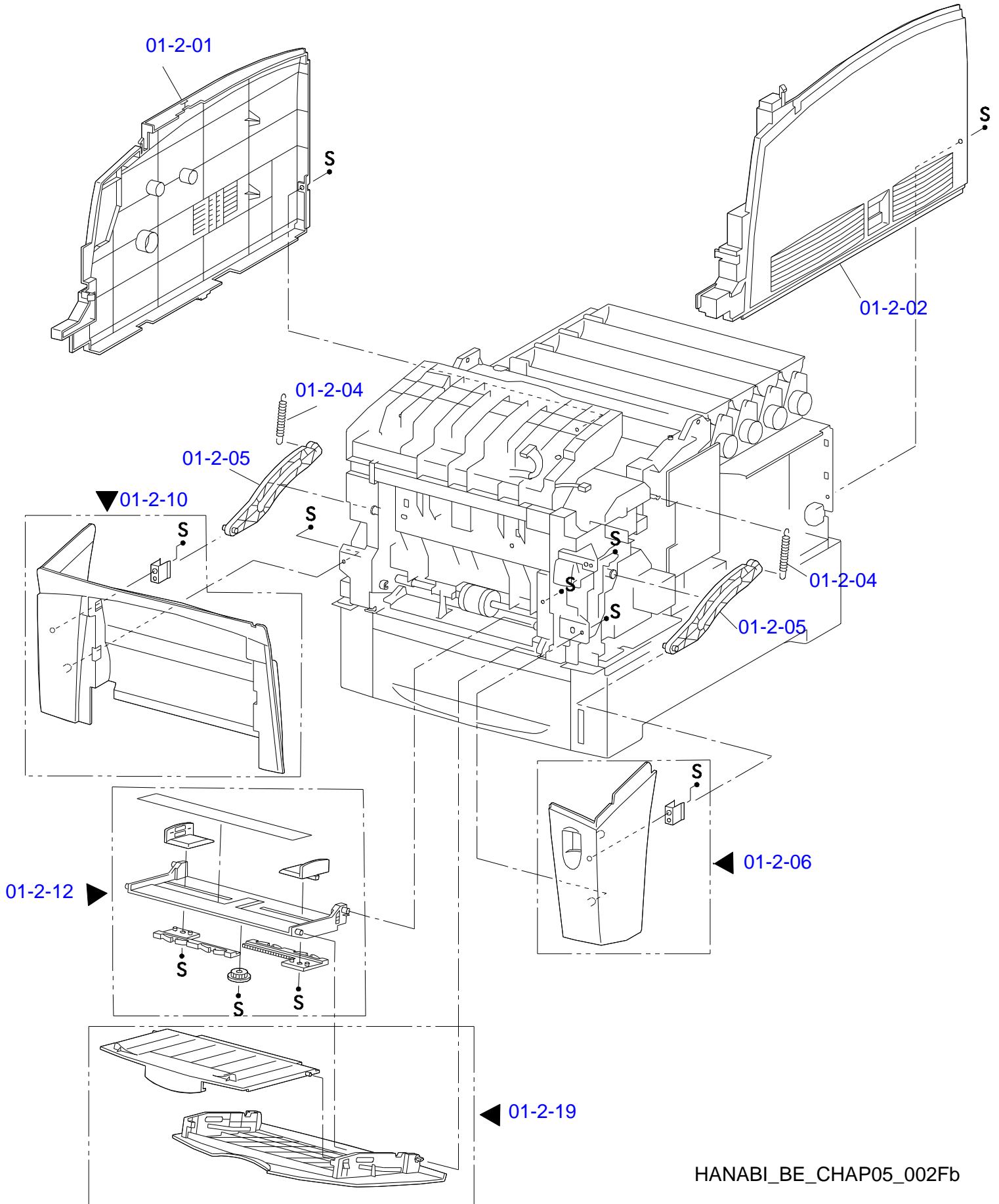
C470-CASE-001

The parts to which no reference number is assigned will not be available as after-sale service parts.

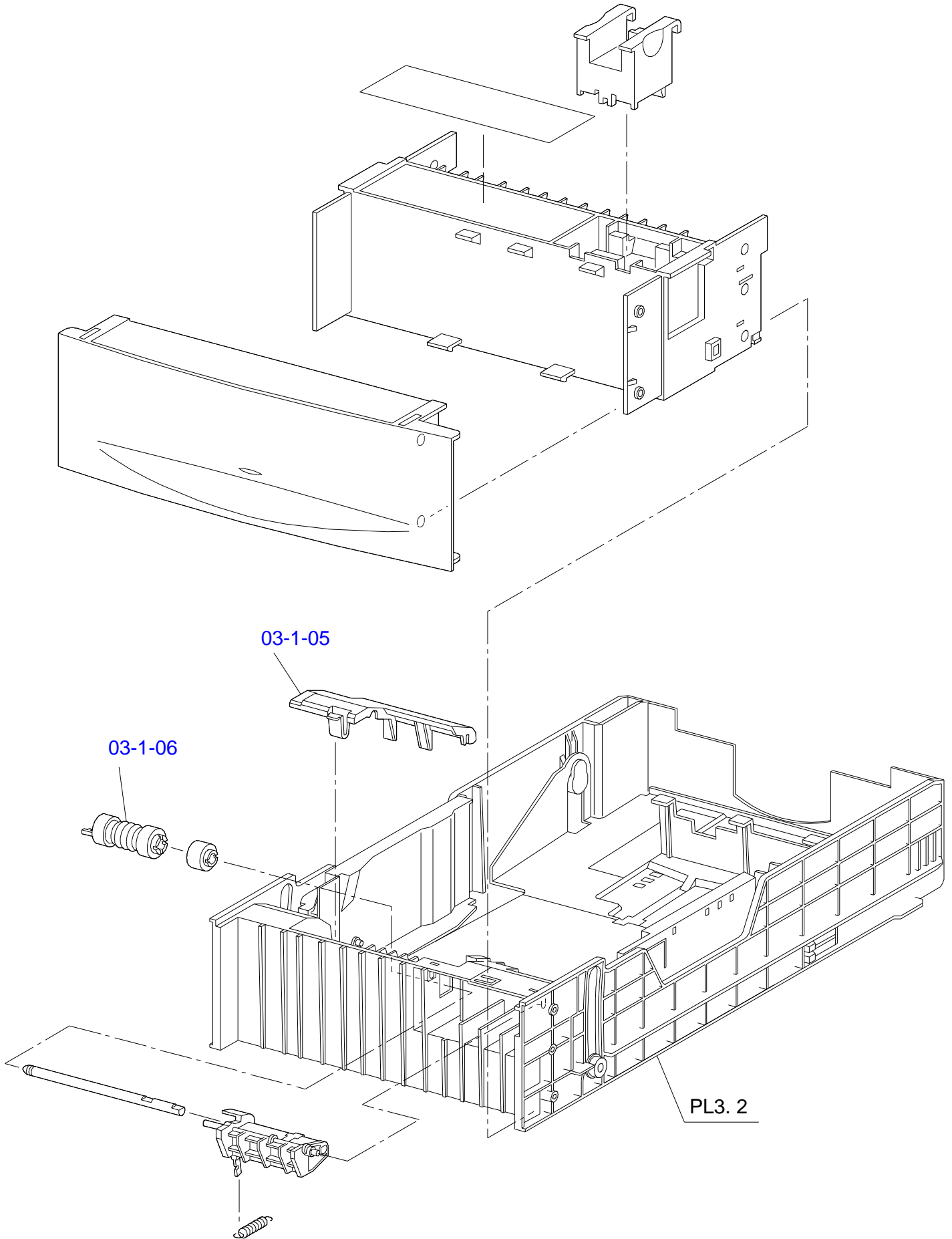


HANABI_BE_CHAP05_001Fb

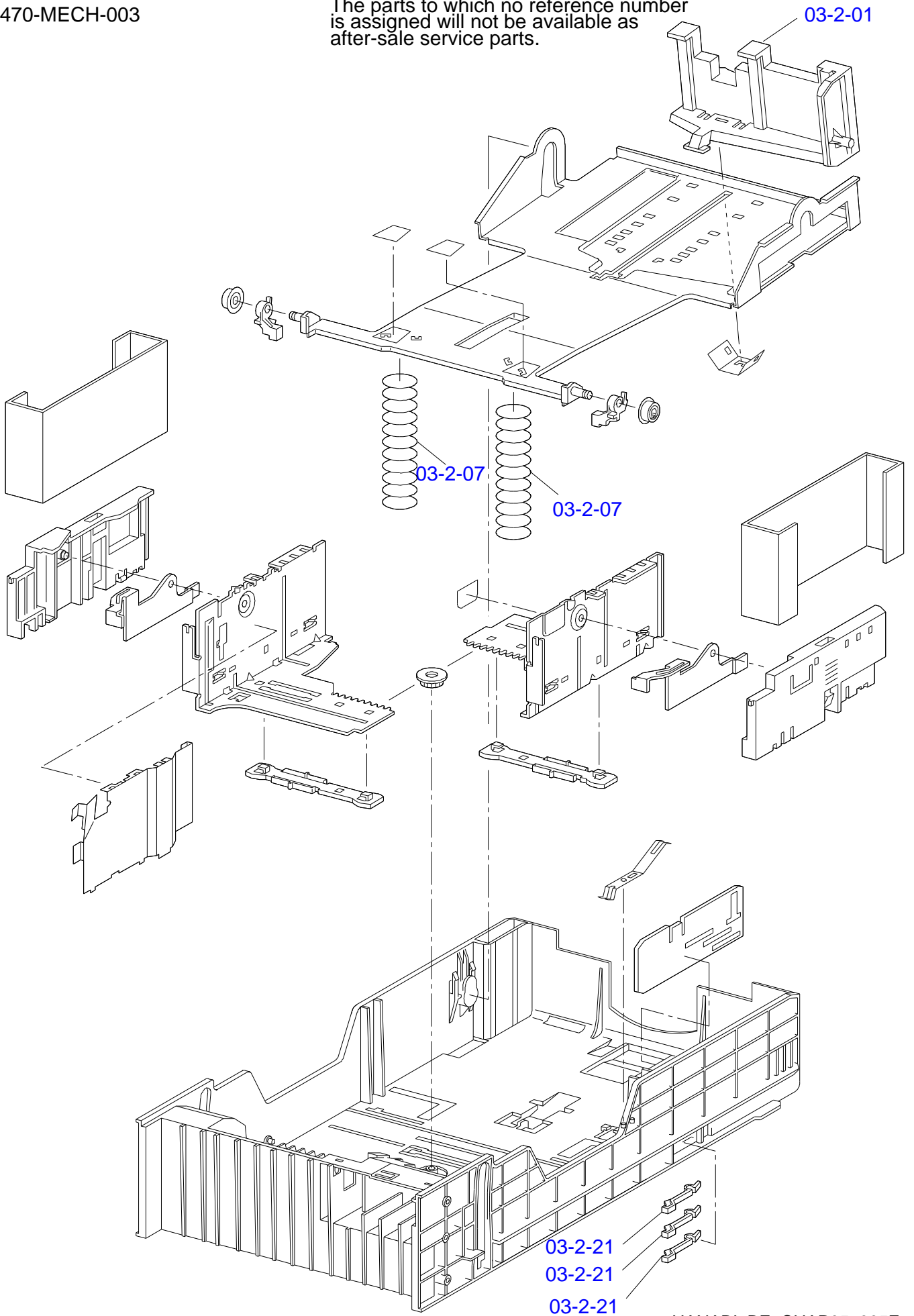
The parts to which no reference number is assigned will not be available as after-sale service parts.



HANABI_BE_CHAP05_002Fb

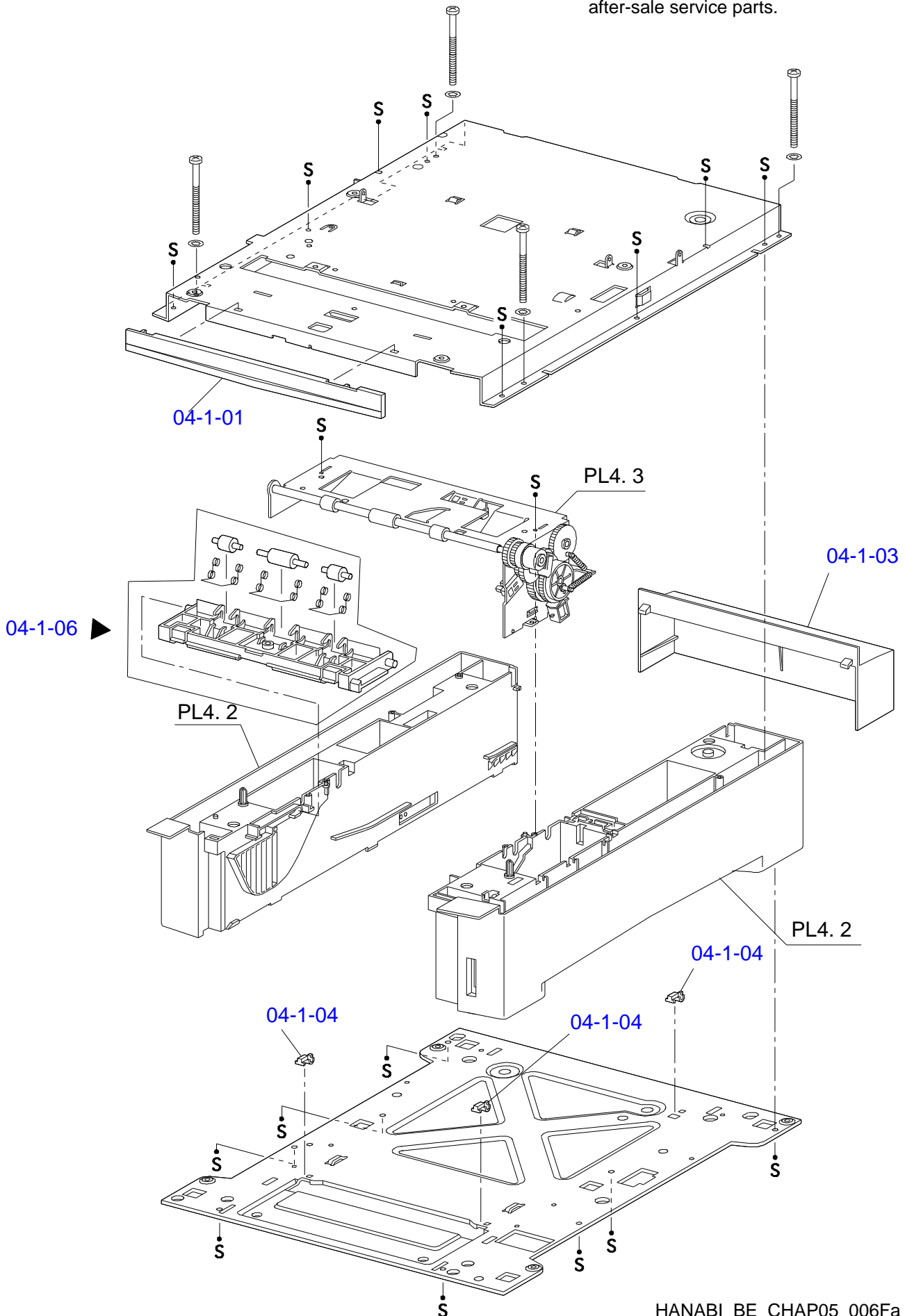


The parts to which no reference number is assigned will not be available as after-sale service parts.



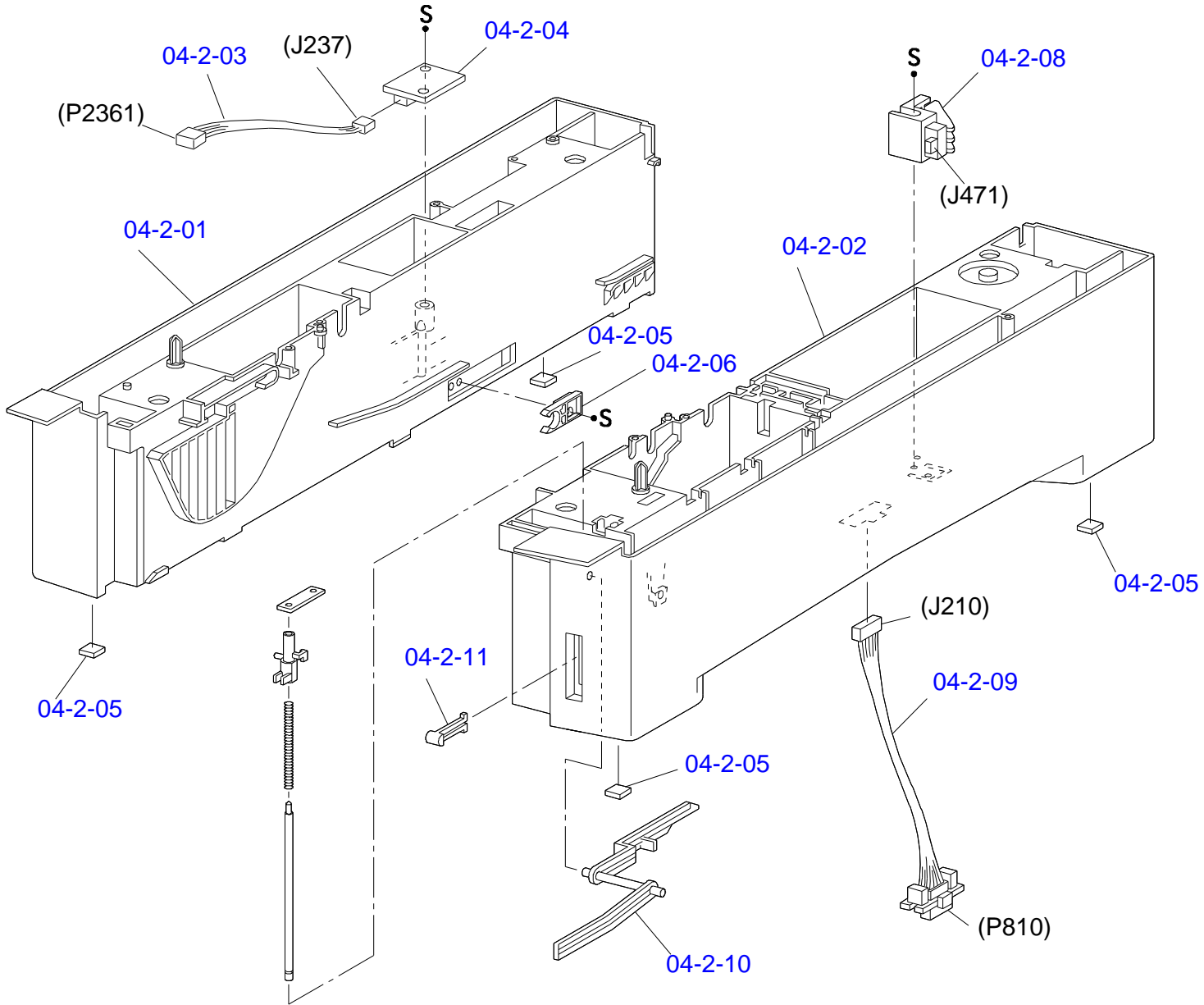
C470-MECH-004

The parts to which no reference number is assigned will not be available as after-sale service parts.



HANABI_BE_CHAP05_006Fa

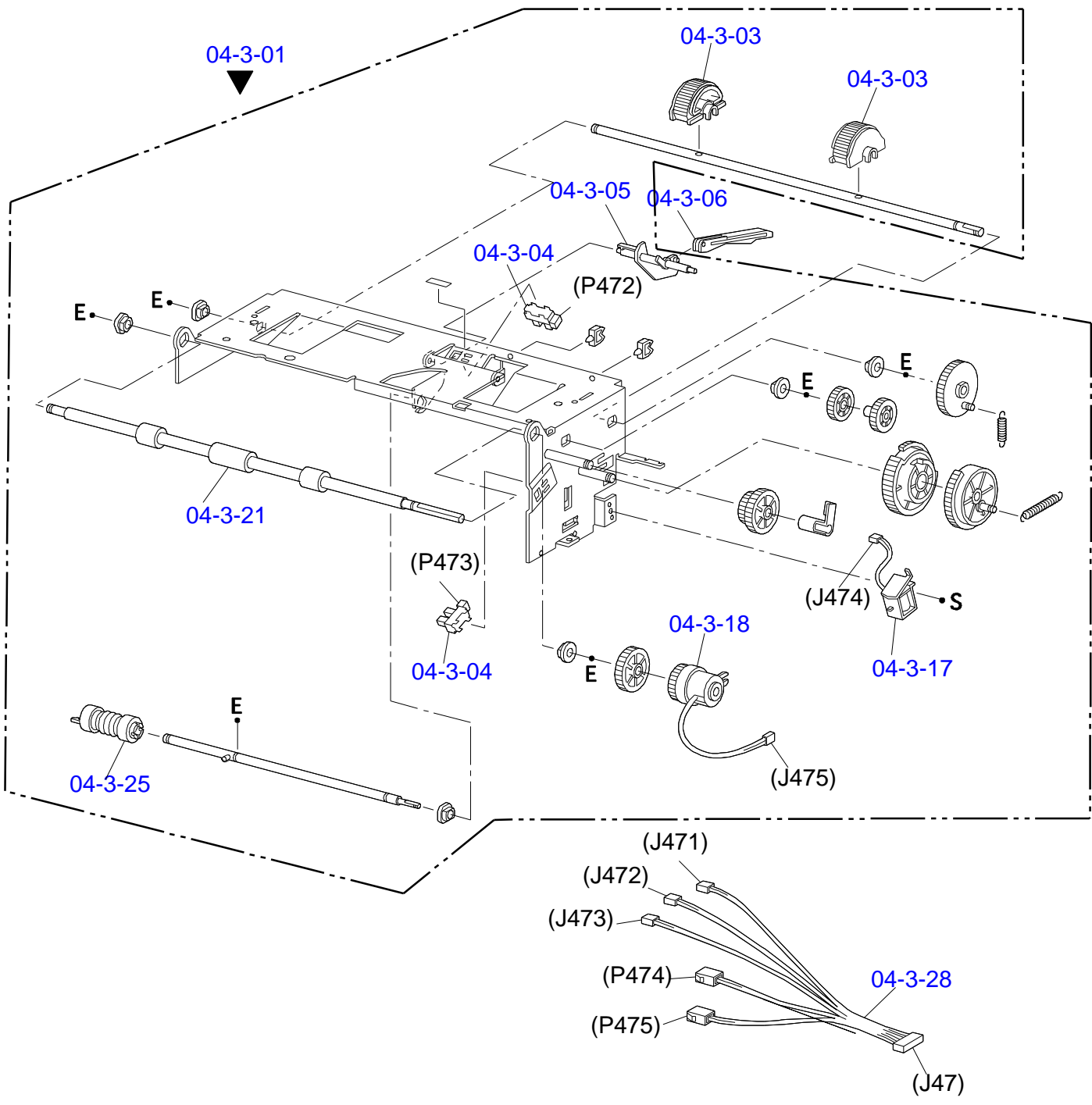
The parts to which no reference number is assigned will not be available as after-sale service parts.



HANABI_BE_CHAP05_007Fb

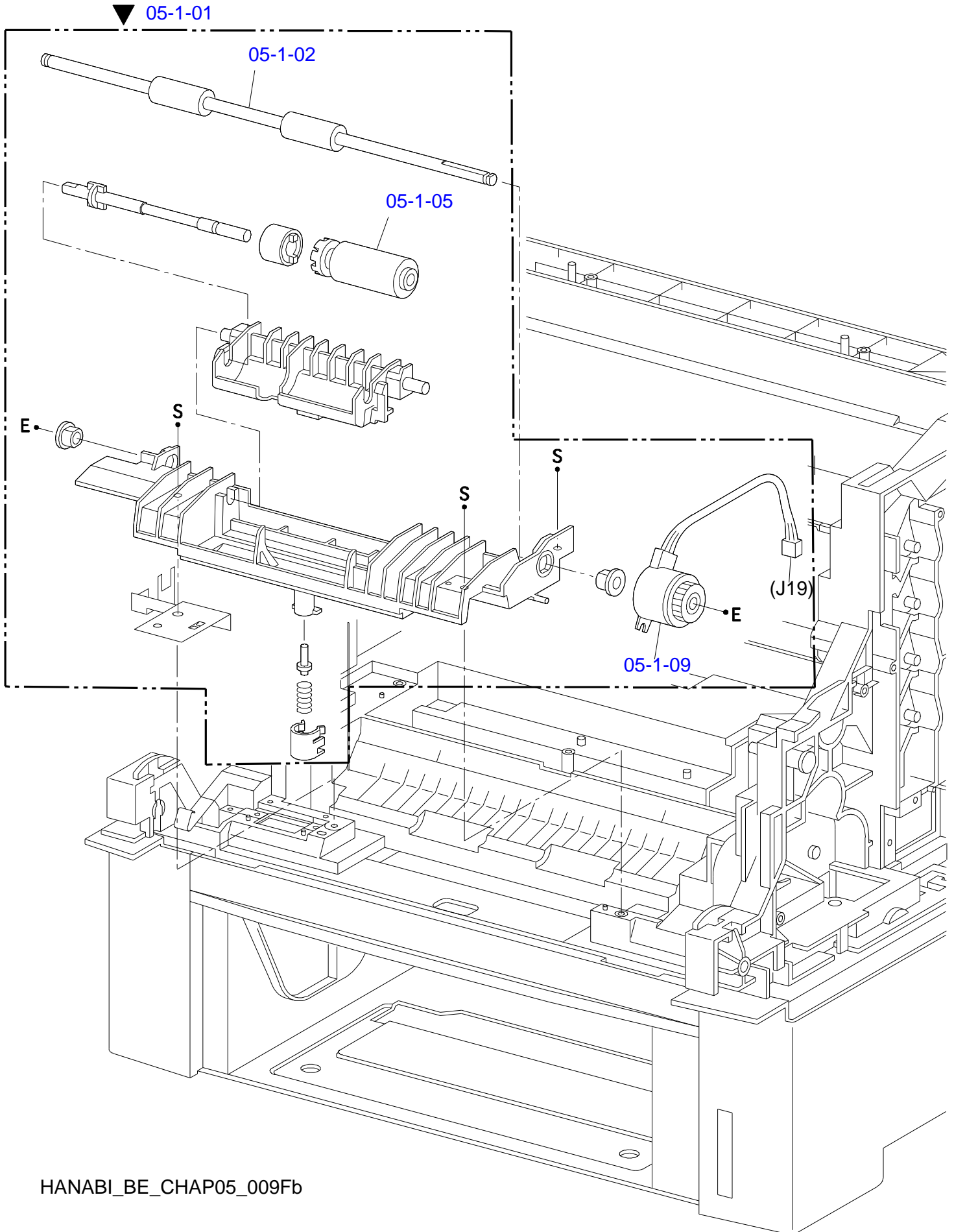
C470-MECH-006

The parts to which no reference number is assigned will not be available as after-sale service parts.



HANABI_BE_CHAP05_008Fb

The parts to which no reference number is assigned will not be available as after-sale service parts.



C470-MECH-008

The parts to which no reference number is assigned will not be available as after-sale service parts.

