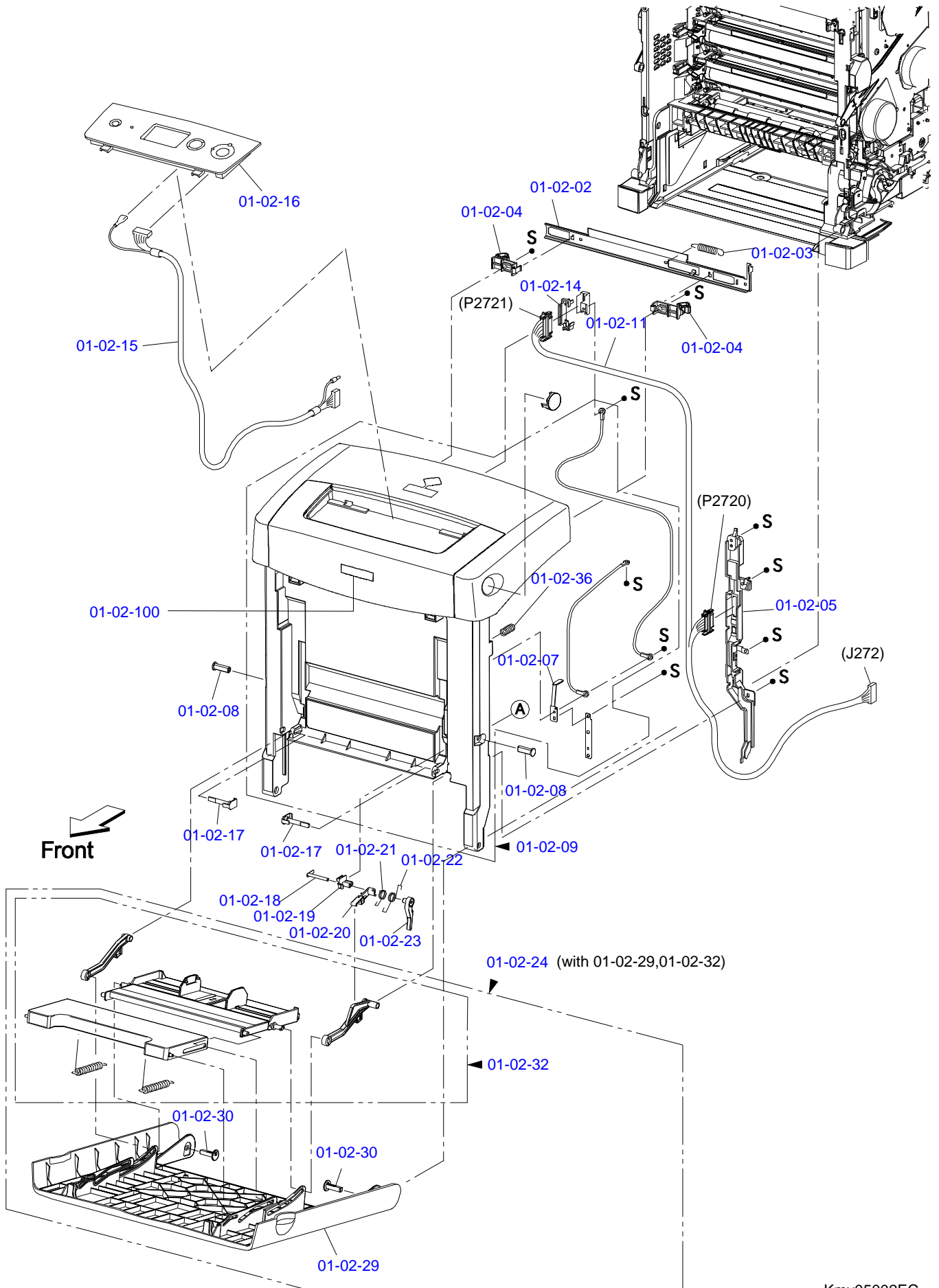
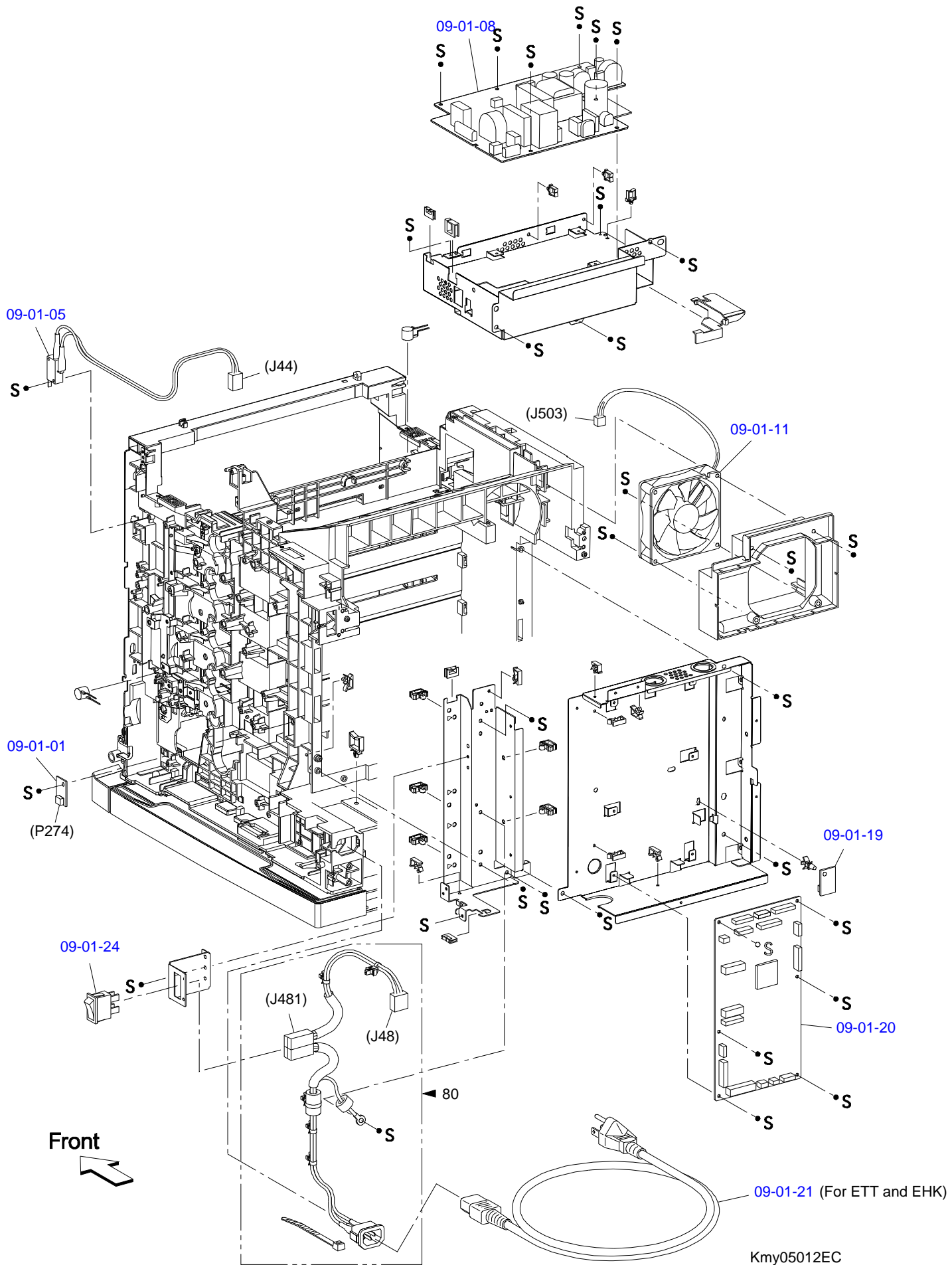
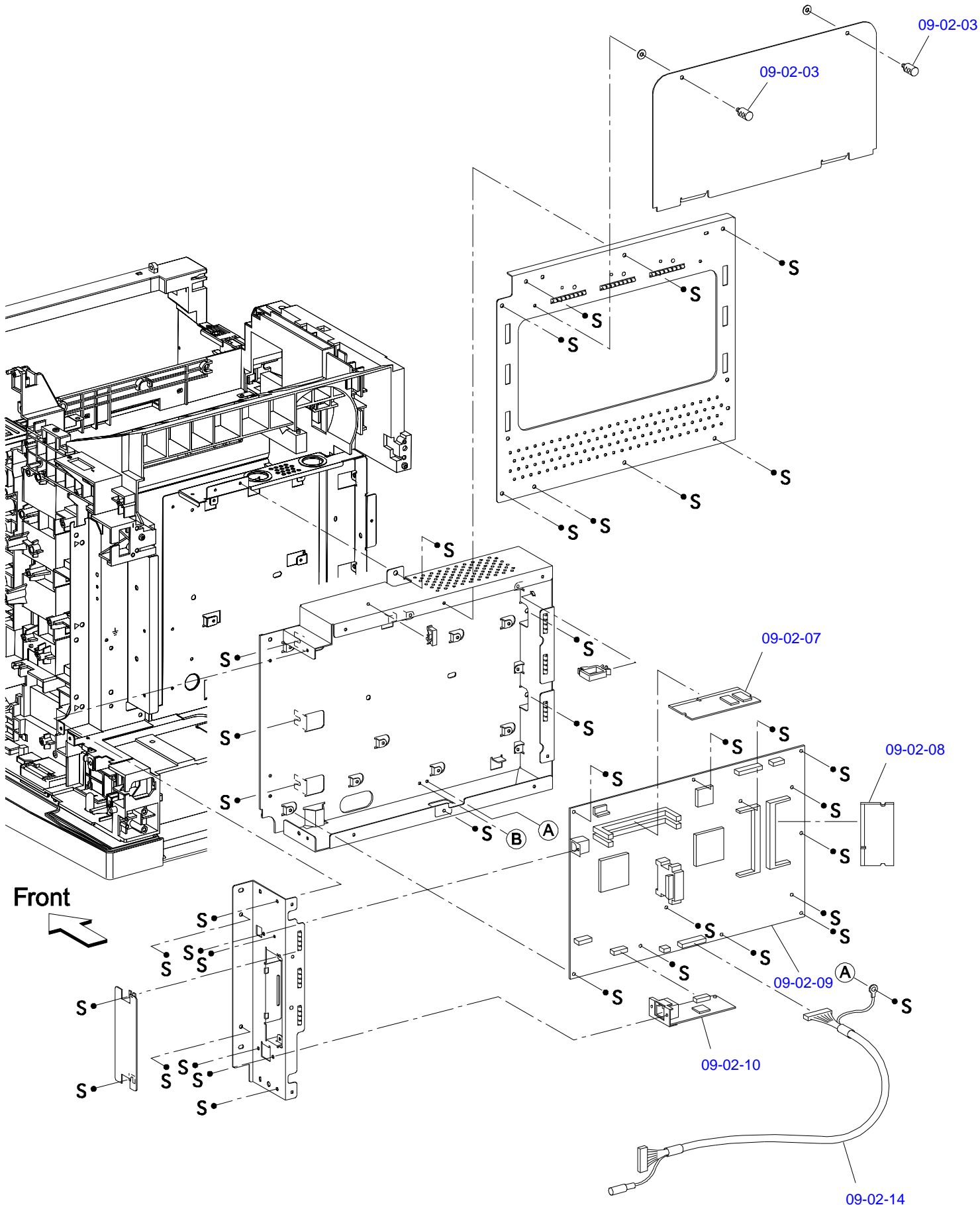


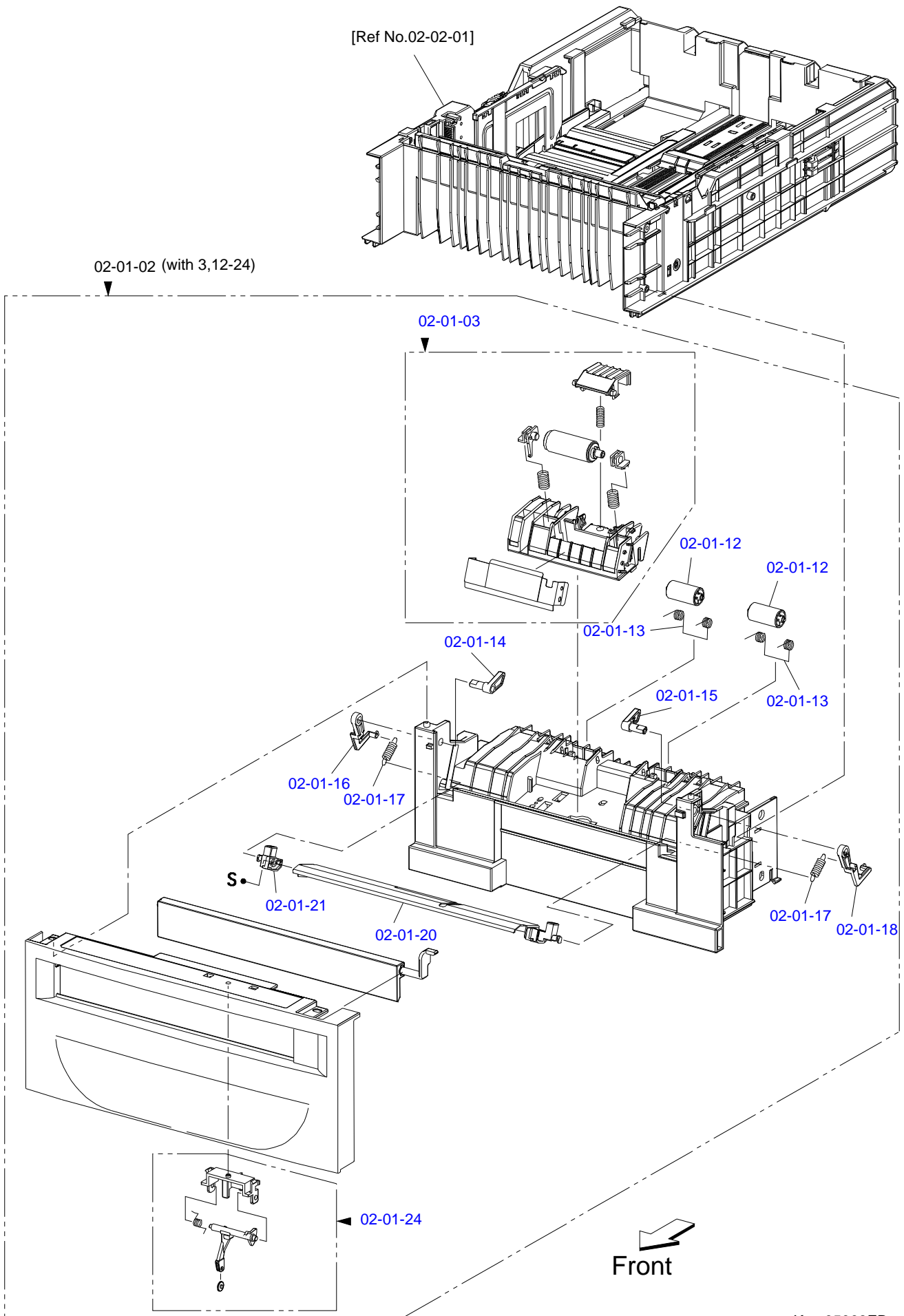
Kmy05001EB



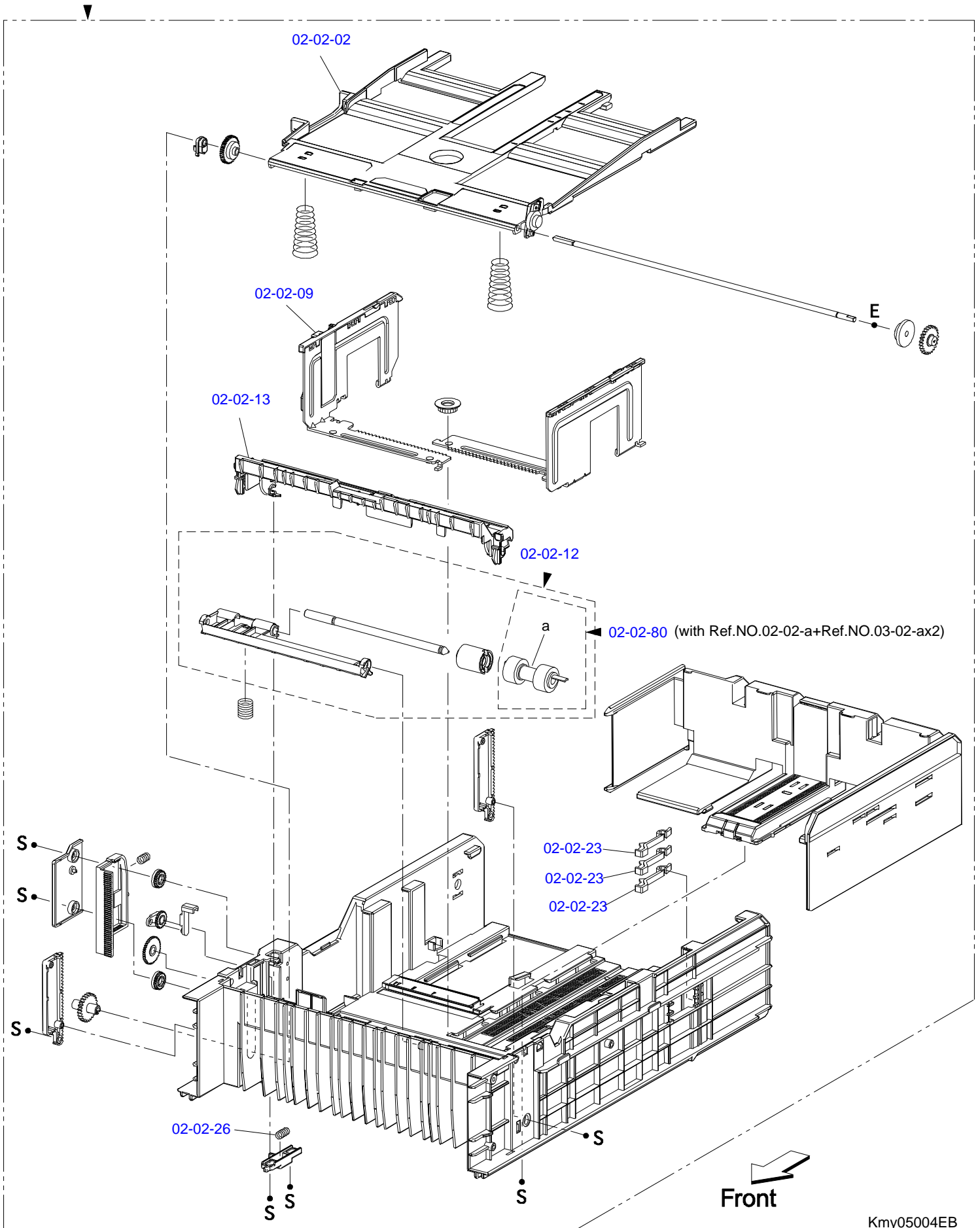




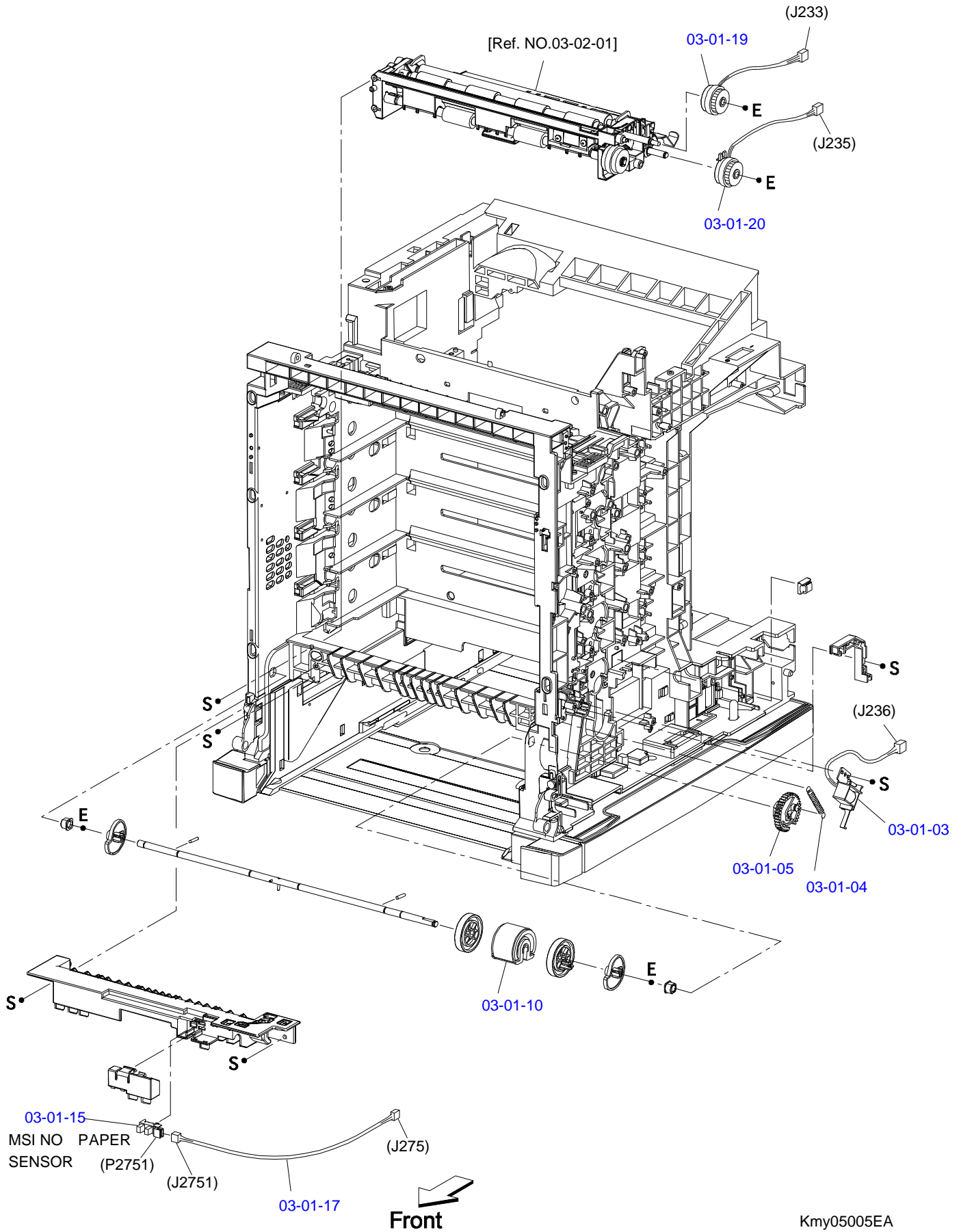
Kmy05020EB



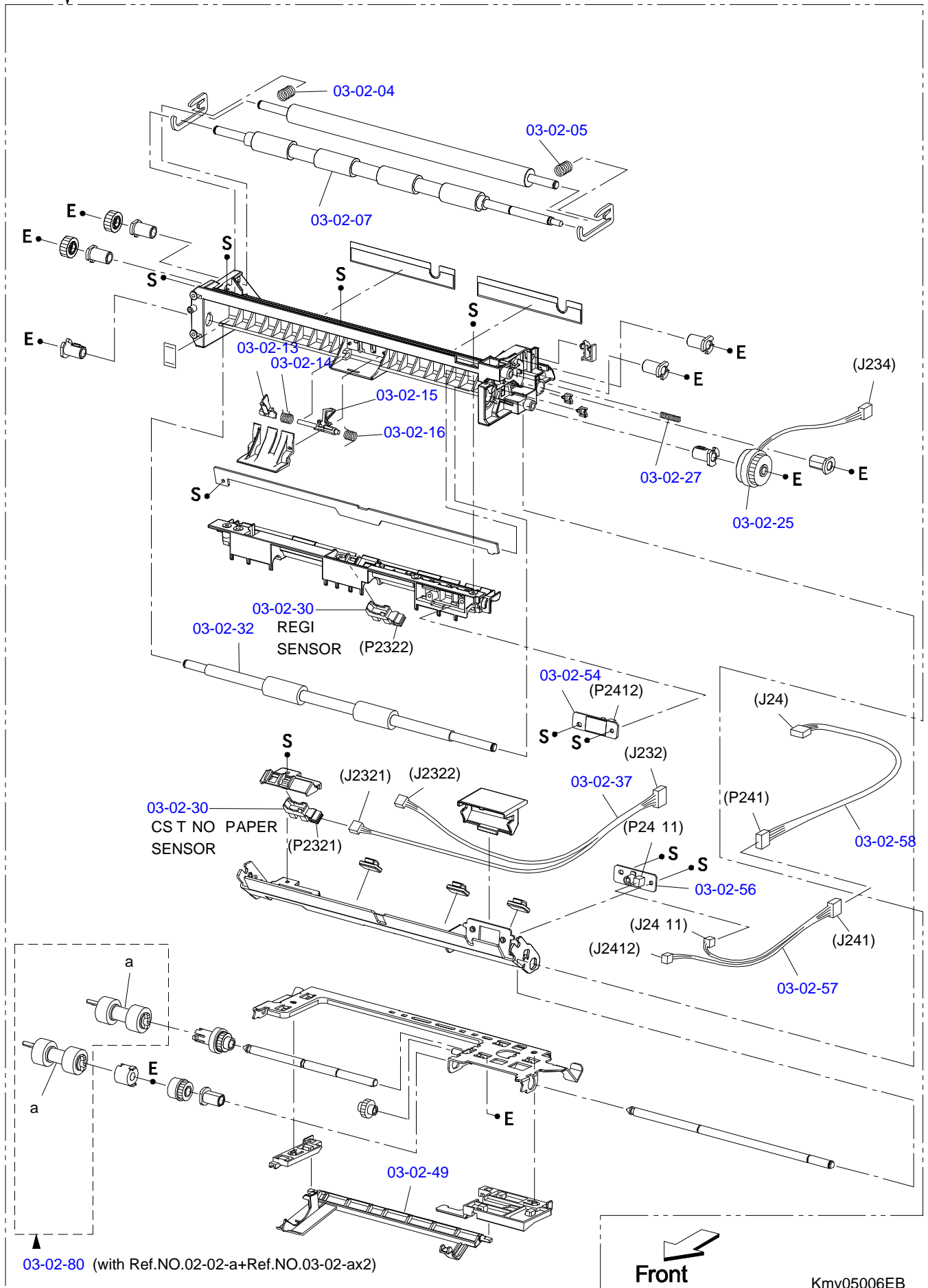
02-02-01 (without 02-02-80)





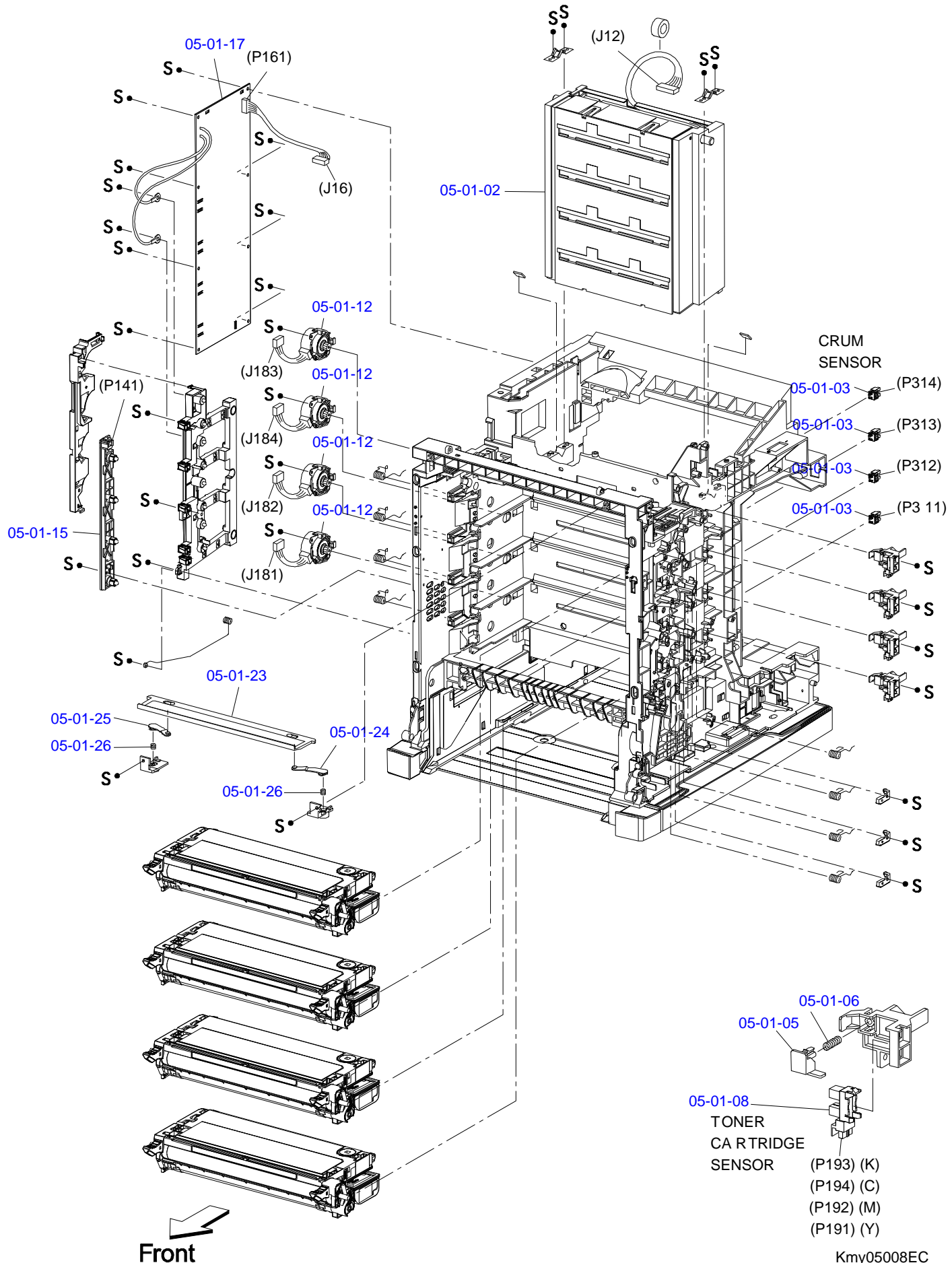


03-02-01 (without 03-02-80)

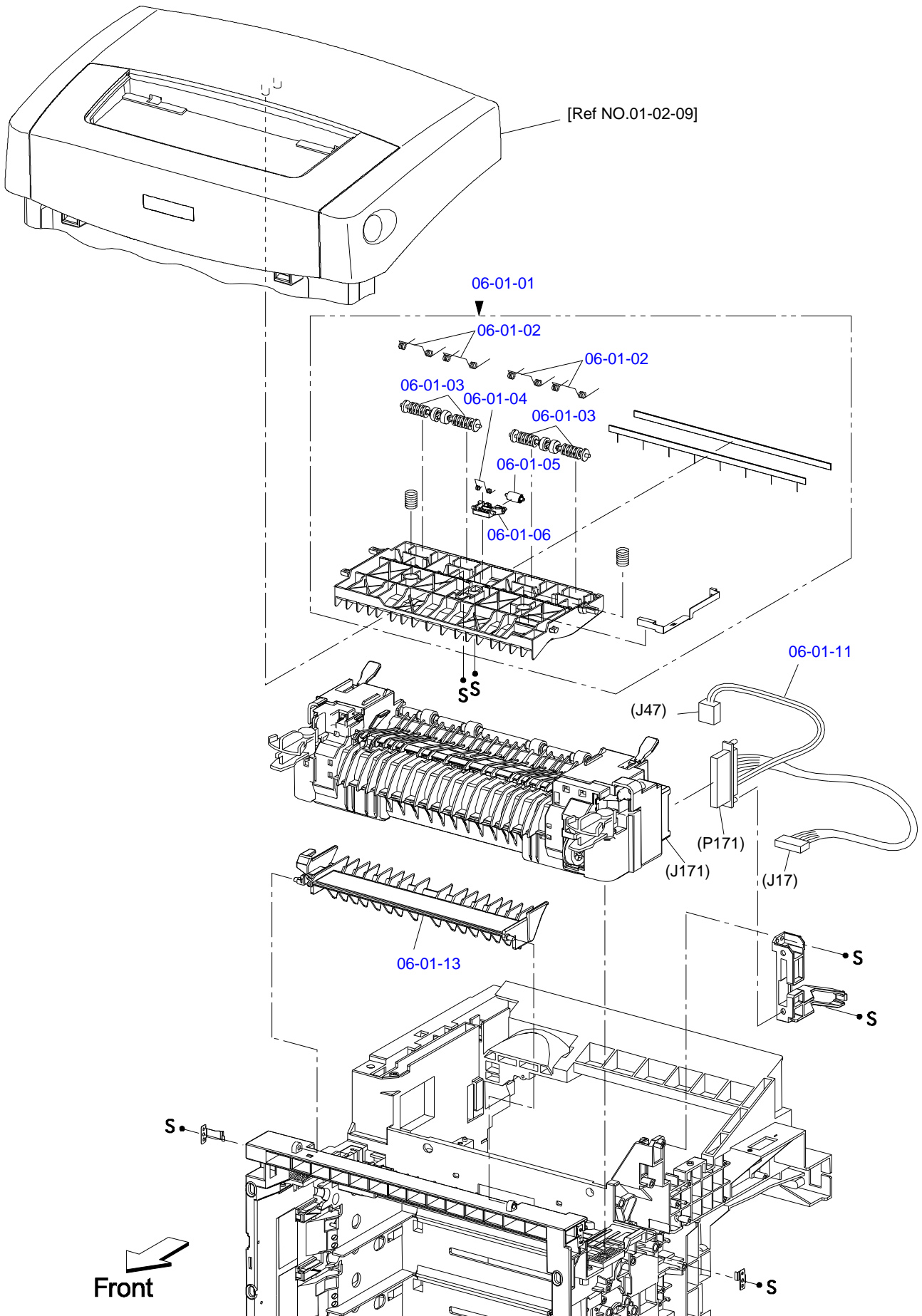


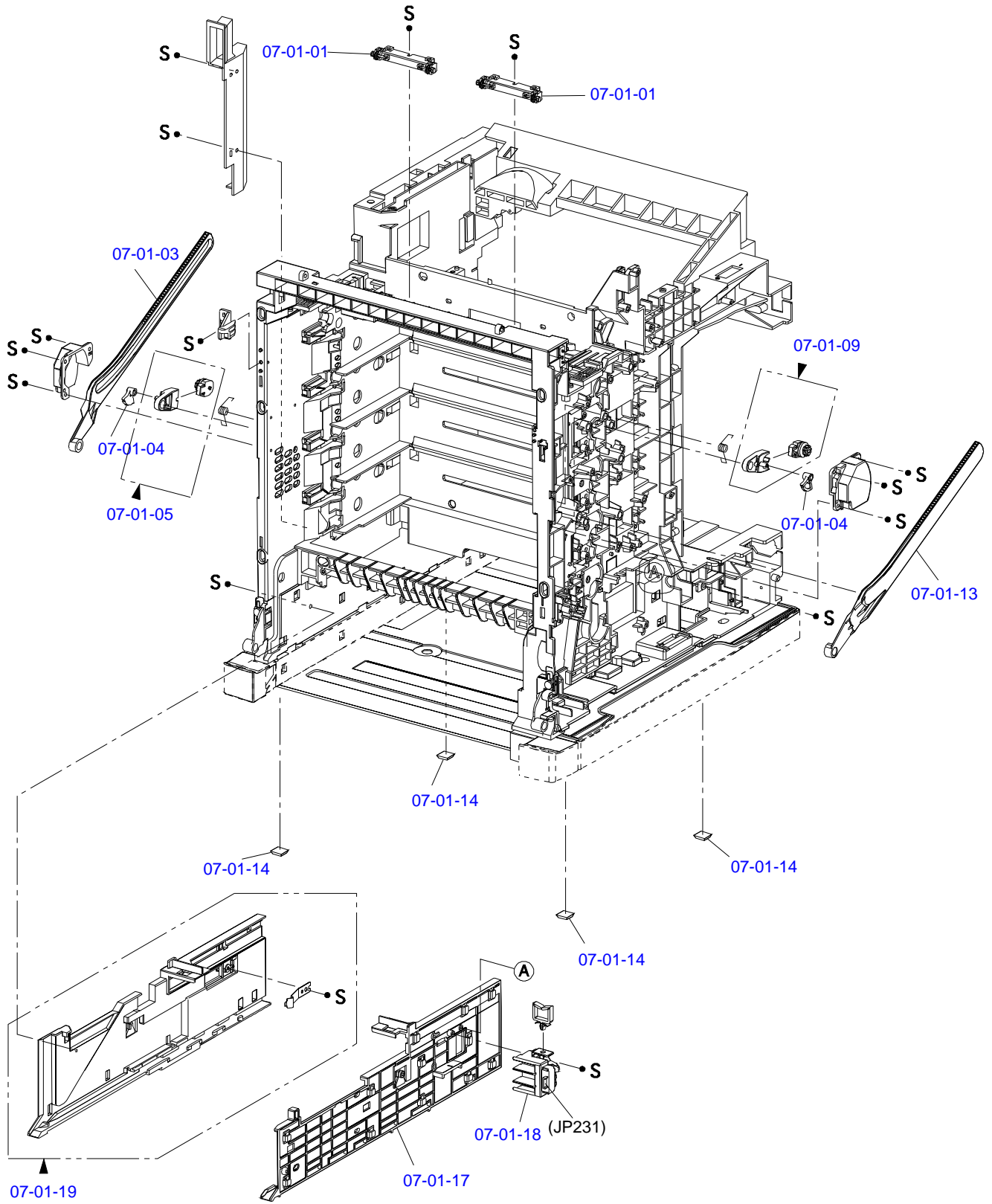
Kmy05006EB



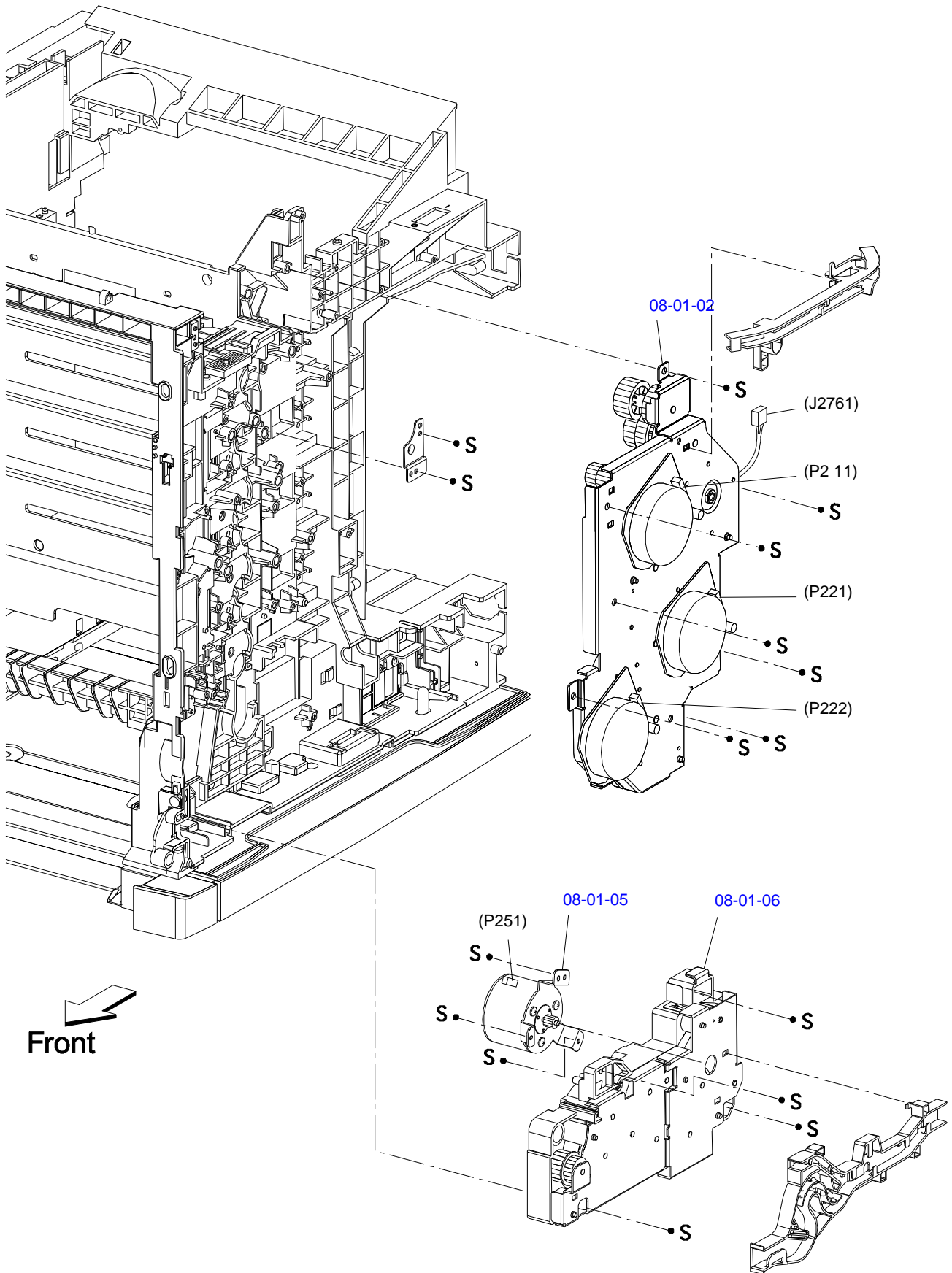


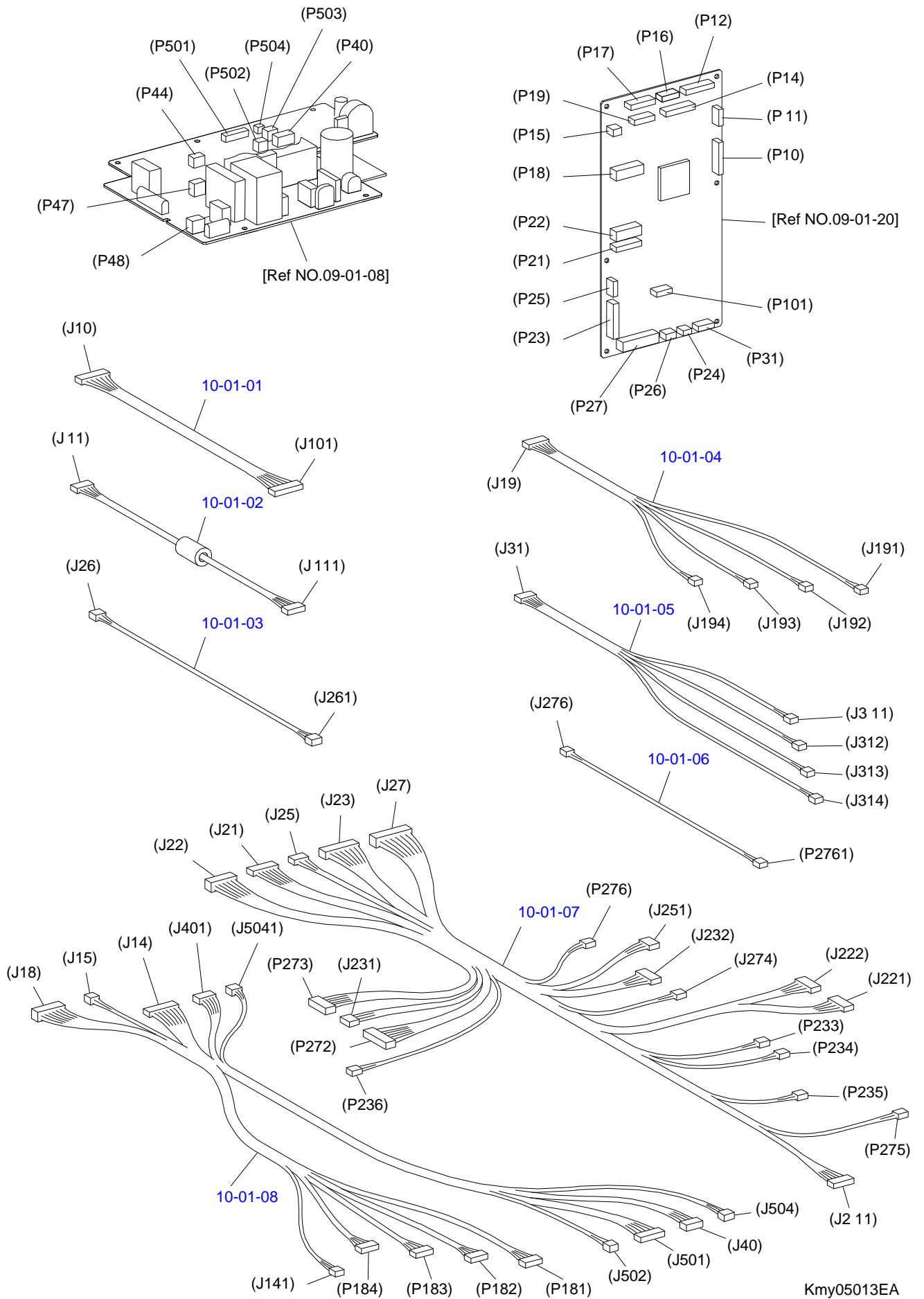
Kmy05008EC





Front







Part Code	Part Name	Ref No.	Category	Qty	Remark
<a href="#">3102657</a>	SOFTWARE CD,E	<a href="#">NON FIG</a>	Accessories	1	EHK
<a href="#">4111161</a>	SETTING UP MANUAL	<a href="#">NON FIG</a>	Accessories	1	EHK
<a href="#">1448788</a>	COVER TOP ASSY E	<a href="#">01-01-01</a>	Case	1	
<a href="#">1448790</a>	COVER EXTENTION 1 E	<a href="#">01-01-02</a>	Case	1	
<a href="#">1448791</a>	COVER EXTENTION 2 E	<a href="#">01-01-03</a>	Case	1	
<a href="#">1448792</a>	COVER REAR E	<a href="#">01-01-04</a>	Case	1	
<a href="#">1478609</a>	COVER CST E	<a href="#">01-01-05</a>	Case	1	
<a href="#">1478610</a>	COVER SIDE R E	<a href="#">01-01-06</a>	Case	1	
<a href="#">1448795</a>	COVER SIDE L E	<a href="#">01-01-07</a>	Case	1	
<a href="#">1448796</a>	COVER SIDE IF	<a href="#">01-01-10</a>	Case	1	
<a href="#">1481768</a>	PLATE LATCH	<a href="#">01-02-02</a>	Case	1	
<a href="#">1448797</a>	SPRING LATCH	<a href="#">01-02-03</a>	Case	1	
<a href="#">1481767</a>	LATCH FRONT	<a href="#">01-02-04</a>	Case	2	
<a href="#">1448799</a>	KIT COVER ASSY HARN SEC	<a href="#">01-02-05</a>	Case	1	
<a href="#">1448800</a>	CONTACT FRONT	<a href="#">01-02-07</a>	Case	1	
<a href="#">1448801</a>	SHAFT PIVOT	<a href="#">01-02-08</a>	Case	2	
<a href="#">1478611</a>	KIT COVER ASSY FRONT SEC A	<a href="#">01-02-09</a>	Case	1	
<a href="#">1232050</a>	LOGO PLATE,13X54;C	<a href="#">01-02-100</a>	Case	1	
<a href="#">2112731</a>	HARNESS ASSY FRONT COVER	<a href="#">01-02-11</a>	Case	1	
<a href="#">1447393</a>	HOLDER DRAWER	<a href="#">01-02-14</a>	Case	1	
<a href="#">2109225</a>	HARNESS	<a href="#">01-02-15</a>	Case	1	
<a href="#">2109110</a>	CONTROL PANEL	<a href="#">01-02-16</a>	Case	1	
<a href="#">1448803</a>	PIN PIVOT MSI	<a href="#">01-02-17</a>	Case	2	
<a href="#">1448804</a>	SHAFT LEVER	<a href="#">01-02-18</a>	Case	1	
<a href="#">1448806</a>	PLATE PIVOT	<a href="#">01-02-19</a>	Case	1	
<a href="#">1448809</a>	LEVER MSI 1	<a href="#">01-02-20</a>	Case	1	
<a href="#">1448811</a>	SPRING LEVER MSI	<a href="#">01-02-21</a>	Case	1	
<a href="#">1448814</a>	SPIRNG LEVER LINK	<a href="#">01-02-22</a>	Case	1	
<a href="#">1448815</a>	LEVER MSI 2	<a href="#">01-02-23</a>	Case	1	
<a href="#">1448816</a>	COVER ASSY MSI E	<a href="#">01-02-24</a>	Case	1	
<a href="#">1448817</a>	COVER MSI E	<a href="#">01-02-29</a>	Case	1	
<a href="#">1448818</a>	SHAFT PIVOT MSI	<a href="#">01-02-30</a>	Case	2	
<a href="#">1448819</a>	KIT TRAY ASSY MSI SEC	<a href="#">01-02-32</a>	Case	1	
<a href="#">1448820</a>	SPRING	<a href="#">01-02-36</a>	Case	1	
<a href="#">2112494</a>	PWBA EEPROM XPRO	<a href="#">09-01-01</a>	Electronic Parts	1	
<a href="#">2112755</a>	HARNESS ASSY INTERLOCK	<a href="#">09-01-05</a>	Electronic Parts	1	
<a href="#">2112495</a>	PSLV 200V STD	<a href="#">09-01-08</a>	Electronic Parts	1	
<a href="#">2112497</a>	FAN MAIN	<a href="#">09-01-11</a>	Electronic Parts	1	
<a href="#">2103388</a>	SENSOR HUM	<a href="#">09-01-19</a>	Electronic Parts	1	
<a href="#">2119593</a>	PWBA MCU KMY S	<a href="#">09-01-20</a>	Electronic Parts	1	
<a href="#">2080469</a>	POWER CABLE	<a href="#">09-01-21</a>	Electronic Parts	1	for EHK
<a href="#">2082675</a>	POWER SWITCH	<a href="#">09-01-24</a>	Electronic Parts	1	
<a href="#">2112756</a>	KIT HARNESS ASSY INLET 200V S	<a href="#">09-01-80</a>	Electronic Parts	1	
<a href="#">1448882</a>	SCREW KNURLING	<a href="#">09-02-03</a>	Electronic Parts	2	
<a href="#">2118600</a>	BOARD ASSY.,MEMORY	<a href="#">09-02-07</a>	Electronic Parts	1	
<a href="#">2115980</a>	SDRAMDIMM	<a href="#">09-02-08</a>	Electronic Parts	1	
<a href="#">2119388</a>	BOARD ASSY,MAIN	<a href="#">09-02-09</a>	Electronic Parts	1	
<a href="#">2085196</a>	NETWORK BOARD	<a href="#">09-02-10</a>	Electronic Parts	1	



<a href="#">2109224</a>	HARNES	<a href="#">09-02-14</a>	Electronic Parts	1
<a href="#">1478612</a>	CASSETTE ASSY FRONT 250 E	<a href="#">02-01-02</a>	Mechanism Parts	1
<a href="#">1447394</a>	HOLDER ASSY RETARD MSI E	<a href="#">02-01-03</a>	Mechanism Parts	1
<a href="#">1448823</a>	ROLL PINCH TURN	<a href="#">02-01-12</a>	Mechanism Parts	2
<a href="#">1448824</a>	SPRING PINCH TURN	<a href="#">02-01-13</a>	Mechanism Parts	2
<a href="#">1448828</a>	FOLLOWER L	<a href="#">02-01-14</a>	Mechanism Parts	1
<a href="#">1448829</a>	FOLLOWER R	<a href="#">02-01-15</a>	Mechanism Parts	1
<a href="#">1448830</a>	ARM L	<a href="#">02-01-16</a>	Mechanism Parts	1
<a href="#">1448831</a>	SPRING N/F	<a href="#">02-01-17</a>	Mechanism Parts	2
<a href="#">1448832</a>	ARM R	<a href="#">02-01-18</a>	Mechanism Parts	1
<a href="#">1448833</a>	PLATE ASSY BOTTOM	<a href="#">02-01-20</a>	Mechanism Parts	1
<a href="#">1448834</a>	HOLDER ASSY MSI L	<a href="#">02-01-21</a>	Mechanism Parts	1
<a href="#">1447395</a>	ACTUATOR ASSY MSI	<a href="#">02-01-24</a>	Mechanism Parts	1
<a href="#">1478614</a>	CASSETTE ASSY REAR 250 E	<a href="#">02-02-01</a>	Mechanism Parts	1
<a href="#">1448836</a>	PLATE ASSY BTM A4 E	<a href="#">02-02-02</a>	Mechanism Parts	1
<a href="#">1478616</a>	GUIDE ASSY SIDE R 250 E	<a href="#">02-02-09</a>	Mechanism Parts	1
<a href="#">1447398</a>	HOLDER ASSY RETARD E	<a href="#">02-02-12</a>	Mechanism Parts	1
<a href="#">1448838</a>	COVER RTD CST (MAT) E	<a href="#">02-02-13</a>	Mechanism Parts	1
<a href="#">1448839</a>	ACTUATOR SIZE	<a href="#">02-02-23</a>	Mechanism Parts	3
<a href="#">1448840</a>	SPRING STOPPER GEAR	<a href="#">02-02-26</a>	Mechanism Parts	1
<a href="#">1447666</a>	KIT ROLL ASSY FEED SEC	<a href="#">02-02-80</a>	Mechanism Parts	1
<a href="#">2112478</a>	SOLENOID FEED MSI	<a href="#">03-01-03</a>	Mechanism Parts	1
<a href="#">1448842</a>	SPRING FEED MSI	<a href="#">03-01-04</a>	Mechanism Parts	1
<a href="#">1448844</a>	GEAR MSI	<a href="#">03-01-05</a>	Mechanism Parts	1
<a href="#">1409148</a>	ROLL ASSY FEED	<a href="#">03-01-10</a>	Mechanism Parts	1
<a href="#">2091186</a>	SENSOR UPPER PASS	<a href="#">03-01-15</a>	Mechanism Parts	1
<a href="#">2112749</a>	HARNES ASSY MSI NPP	<a href="#">03-01-17</a>	Mechanism Parts	1
<a href="#">2112479</a>	CLUTCH ASSY PH REGI	<a href="#">03-01-19</a>	Mechanism Parts	1
<a href="#">2112481</a>	CLUTCH ASSY PH FEED	<a href="#">03-01-20</a>	Mechanism Parts	1
<a href="#">2117400</a>	FEEDER ASSY SE	<a href="#">03-02-01</a>	Mechanism Parts	1
<a href="#">1448847</a>	SPRING REGI L	<a href="#">03-02-04</a>	Mechanism Parts	1
<a href="#">1448848</a>	SPRING REGI R	<a href="#">03-02-05</a>	Mechanism Parts	1
<a href="#">1448849</a>	ROLL REGI RUBBER	<a href="#">03-02-07</a>	Mechanism Parts	1
<a href="#">1448850</a>	ACTUATOR A	<a href="#">03-02-13</a>	Mechanism Parts	1
<a href="#">1448851</a>	SPRING REGI SNSR A	<a href="#">03-02-14</a>	Mechanism Parts	1
<a href="#">1448852</a>	ACTUATOR B	<a href="#">03-02-15</a>	Mechanism Parts	1
<a href="#">1448853</a>	SPRING REGI SNSR B	<a href="#">03-02-16</a>	Mechanism Parts	1
<a href="#">2112484</a>	CLUTCH ASSY PH TURN	<a href="#">03-02-25</a>	Mechanism Parts	1
<a href="#">1448854</a>	SPRING EARTH	<a href="#">03-02-27</a>	Mechanism Parts	1
<a href="#">2091186</a>	SENSOR UPPER PASS	<a href="#">03-02-30</a>	Mechanism Parts	2
<a href="#">1448855</a>	ROLL ASSY TURN	<a href="#">03-02-32</a>	Mechanism Parts	1
<a href="#">2112750</a>	HARNES ASSY REGI SNR	<a href="#">03-02-37</a>	Mechanism Parts	1
<a href="#">1447511</a>	ACTUATOR NO PAPER A4	<a href="#">03-02-49</a>	Mechanism Parts	1
<a href="#">2112485</a>	PWBA OHP LED	<a href="#">03-02-54</a>	Mechanism Parts	1
<a href="#">2112486</a>	PWBA OHP SNR	<a href="#">03-02-56</a>	Mechanism Parts	1
<a href="#">2112751</a>	HARNES ASSY OHP SNR	<a href="#">03-02-57</a>	Mechanism Parts	1
<a href="#">2112752</a>	HARNES ASSY OHP	<a href="#">03-02-58</a>	Mechanism Parts	1
<a href="#">1447666</a>	KIT ROLL ASSY FEED SEC	<a href="#">03-02-80</a>	Mechanism Parts	1
<a href="#">2112487</a>	ROS ASSY SEC	<a href="#">05-01-02</a>	Mechanism Parts	1
<a href="#">2112488</a>	CONNECTOR CRUM	<a href="#">05-01-03</a>	Mechanism Parts	4

<a href="#">1448856</a>	ACTUATOR SENSOR CRU	<a href="#">05-01-05</a>	Mechanism Parts	1
<a href="#">1448857</a>	SPRING CRU	<a href="#">05-01-06</a>	Mechanism Parts	1
<a href="#">2091186</a>	SENSOR UPPER PASS	<a href="#">05-01-08</a>	Mechanism Parts	1
<a href="#">2112489</a>	DISPENSER ASSY	<a href="#">05-01-12</a>	Mechanism Parts	4
<a href="#">2112490</a>	LED ASSY	<a href="#">05-01-15</a>	Mechanism Parts	1
<a href="#">2112491</a>	PSHV STD	<a href="#">05-01-17</a>	Mechanism Parts	1
<a href="#">1448858</a>	VISOR ASSY LABEL	<a href="#">05-01-23</a>	Mechanism Parts	1
<a href="#">1448859</a>	LEVER VISOR CRU R	<a href="#">05-01-24</a>	Mechanism Parts	1
<a href="#">1448861</a>	LEVER VISOR CRU L	<a href="#">05-01-25</a>	Mechanism Parts	1
<a href="#">1448862</a>	SPRING VISOR CRU	<a href="#">05-01-26</a>	Mechanism Parts	2
<a href="#">1447515</a>	CHUTE ASSY EXIT OUT	<a href="#">06-01-01</a>	Mechanism Parts	1
<a href="#">1448863</a>	SPRING PINCH EXIT OUT	<a href="#">06-01-02</a>	Mechanism Parts	4
<a href="#">1448864</a>	ROLL PINCH EXIT	<a href="#">06-01-03</a>	Mechanism Parts	4
<a href="#">1448865</a>	SPRING CORRUGATE	<a href="#">06-01-04</a>	Mechanism Parts	1
<a href="#">1448867</a>	ROLL CORRUGATE	<a href="#">06-01-05</a>	Mechanism Parts	1
<a href="#">1448868</a>	HOLDER CORRUGATE	<a href="#">06-01-06</a>	Mechanism Parts	1
<a href="#">2112753</a>	HARNESS ASSY FUSER 200V	<a href="#">06-01-11</a>	Mechanism Parts	1
<a href="#">1464723</a>	KIT CUHTE DUP GATE ASSY S	<a href="#">06-01-13</a>	Mechanism Parts	1
<a href="#">1448869</a>	HOLDER ASSY WHEEL STAR	<a href="#">07-01-01</a>	Mechanism Parts	2
<a href="#">1447517</a>	LINK L	<a href="#">07-01-03</a>	Mechanism Parts	1
<a href="#">1448870</a>	LEVER RELEASE	<a href="#">07-01-04</a>	Mechanism Parts	2
<a href="#">1448871</a>	KIT HOLDER ASSY DAMPER L	<a href="#">07-01-05</a>	Mechanism Parts	1
<a href="#">1449894</a>	KIT HOLDER ASSY DAMPER R	<a href="#">07-01-09</a>	Mechanism Parts	1
<a href="#">1447518</a>	LINK R	<a href="#">07-01-13</a>	Mechanism Parts	1
<a href="#">1448872</a>	FOOT	<a href="#">07-01-14</a>	Mechanism Parts	4
<a href="#">1478621</a>	GUIDE TRAY R 250	<a href="#">07-01-17</a>	Mechanism Parts	1
<a href="#">2112492</a>	SWITCH ASSY SIZE	<a href="#">07-01-18</a>	Mechanism Parts	1
<a href="#">1478624</a>	GUIDE ASSY CST L 250	<a href="#">07-01-19</a>	Mechanism Parts	1
<a href="#">2115588</a>	DRIVE ASSY MAIN	<a href="#">08-01-02</a>	Mechanism Parts	1
<a href="#">2112529</a>	KIT MOT ASSY PH	<a href="#">08-01-05</a>	Mechanism Parts	1
<a href="#">1447667</a>	KIT GEAR ASSY PH	<a href="#">08-01-06</a>	Mechanism Parts	1
<a href="#">2112759</a>	HARNESS ASSY ESS S	<a href="#">10-01-01</a>	Mechanism Parts	1
<a href="#">2112760</a>	HARNESS ASSY VIDEO S	<a href="#">10-01-02</a>	Mechanism Parts	1
<a href="#">2112761</a>	HARNESS ASSY HUM	<a href="#">10-01-03</a>	Mechanism Parts	1
<a href="#">2112762</a>	HARNESS ASSY TNR SNR	<a href="#">10-01-04</a>	Mechanism Parts	1
<a href="#">2112763</a>	HARNESS ASSY CRUM	<a href="#">10-01-05</a>	Mechanism Parts	1
<a href="#">2112764</a>	HARNESS ASSY EXIT CLT	<a href="#">10-01-06</a>	Mechanism Parts	1
<a href="#">2119607</a>	HARNESS ASSY R SIDE	<a href="#">10-01-07</a>	Mechanism Parts	1
<a href="#">2112766</a>	HARNESS ASSY LV TOP S	<a href="#">10-01-08</a>	Mechanism Parts	1

Part Code	Part Name	Ref No.	Category	Qty	Remark
-----------	-----------	---------	----------	-----	--------