

PARTS CATALOGUE

product code

DD1461

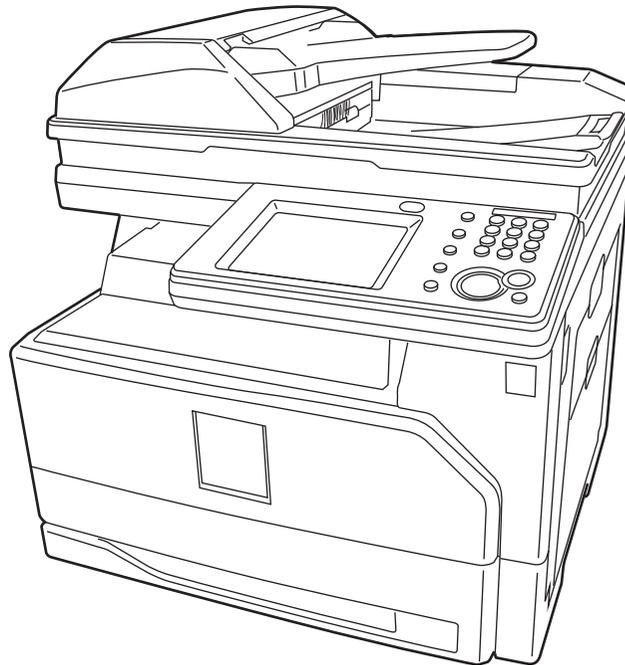
Konica Minolta

bizhub25e

EUR

PRICE

EURO E



2013/06/24

date

2013/01/11

AB

<HOW TO USE THIS CATALOGUE>

1. INTRODUCTION

Before placing a purchase order for spare parts, please read following instructions to avoid any misunderstandings.

2. DEFINITION

In this catalogue, a "part" means each component of a fax machine. Every part has its own name and own number in order to distinguish each other.

3. HOW TO SEE THIS CATALOGUE

1) Page of "PARTS LIST"

Example: DB5001 ← <1> PARTS LIST DATE 2006/07/06 ← <2> PAGE 7 ← <3>

DB5-005 ← <4>

NO	PART NO	PART NAME	QTY	UNIT PRICE(USD)	REMARK
001-001	DB5-A0050-4X	ASSY MOTOR	1	35.45	
* 101	ZA1-02931-20	MOTOR	1		
102	D67-01280-6X	BEARING	3	1.66	
⋮	⋮	⋮	⋮	⋮	⋮
⋮	⋮	⋮	⋮	⋮	⋮

2) Page of "CONTENTS"

DB5-001	TRAY DOCUMENT
DB5-002	COVER PLATEN
DB5-003	ADF GUIDE OUTER
DB5-004	ADF GUIDE INNER
DB5-005 ← <4>	ADF MOTOR ← <12>
.	.
.	.

(1) Explanation :

- <1> DB5001 : Product code is six-digit alphanumeric, and shows the model and specification.
- <2> DATE 2006/07/06 : Creation date of PARTS LIST.
- <3> PAGE 7 : Page number of PARTS LIST.
- <4> DB5-005 : Screen page number of this parts catalogue.
DB5-005 means fifth screen page of the catalogue.
- <5> NO : Represents reference number of each part in the illustration.
- <6> PART NO : Part number.
- <7> PART NAME : Name of the part.
- <8> Q'TY : The quantity of the part which this "Index No" indicates.

- <9> UNIT PRICE(USD) : Price of the part, and word in parenthesis is currency.
The price shown on this catalogue is the "List Price".
When you calculate the distributor's price, please truncate the calculated price to 2 decimal places
- <10> REMARK : Meaning the recital.
- <11> * : Parts marked with an asterisk are disapproved for sale. So, prices for those parts are not shown .
- <12> ADF MOTOR : Represents reference appellation of each part in the screen page.

(2) HOW TO USE THIS CATALOGUE

The catalogue consists of an illustration and Parts List. Please identify your requested part in the illustration on the left page, find the index number and look through the right page to find the part number of the required component.

4. PART NUMBER

The most important information is the part number.

(3 digits) + (5 digits) + (2 or 3 digits) = 10 or 11 digits

DB5 - 08010 - 5 XX
 ↑ ↑ ↑ ↑
 Model code Part code Level code Sub Number

- <1> Model code : Specifies the model. Since some parts are common to several models, there are some parts whose "Model Code" differs from the other parts, though they are all a part of a machine of one product code.
- <2> Level code : Represents the level of parts assembly
 - 6 : Not an assembled part
 - 5 : Several parts are assembled.
 - 4 : Several "level 6" and/or "level 5" parts are assembled
 - 3 : "Level 6", "level 5", and/or "level 4" parts are assembled.
- <4> Sub Number : Represents the specification and revision of parts. The letter "X" is where the revision of parts is shown. When you order a part, please write the exact part number shown on your catalogue. We will supply the part with the latest version.

EXCEPTION ; The above rule is not applied to the parts with numbers which start with "ZA1" (Ex,:ZA1-00432-70), "DCB", "DFG" since they are purchased from other vendors. So please write the number exactly the same as shown on the list. Please do NOT write "X" unless the part number actually includes "X".

*NOTICE

Supplying Time : Contract term with customer.

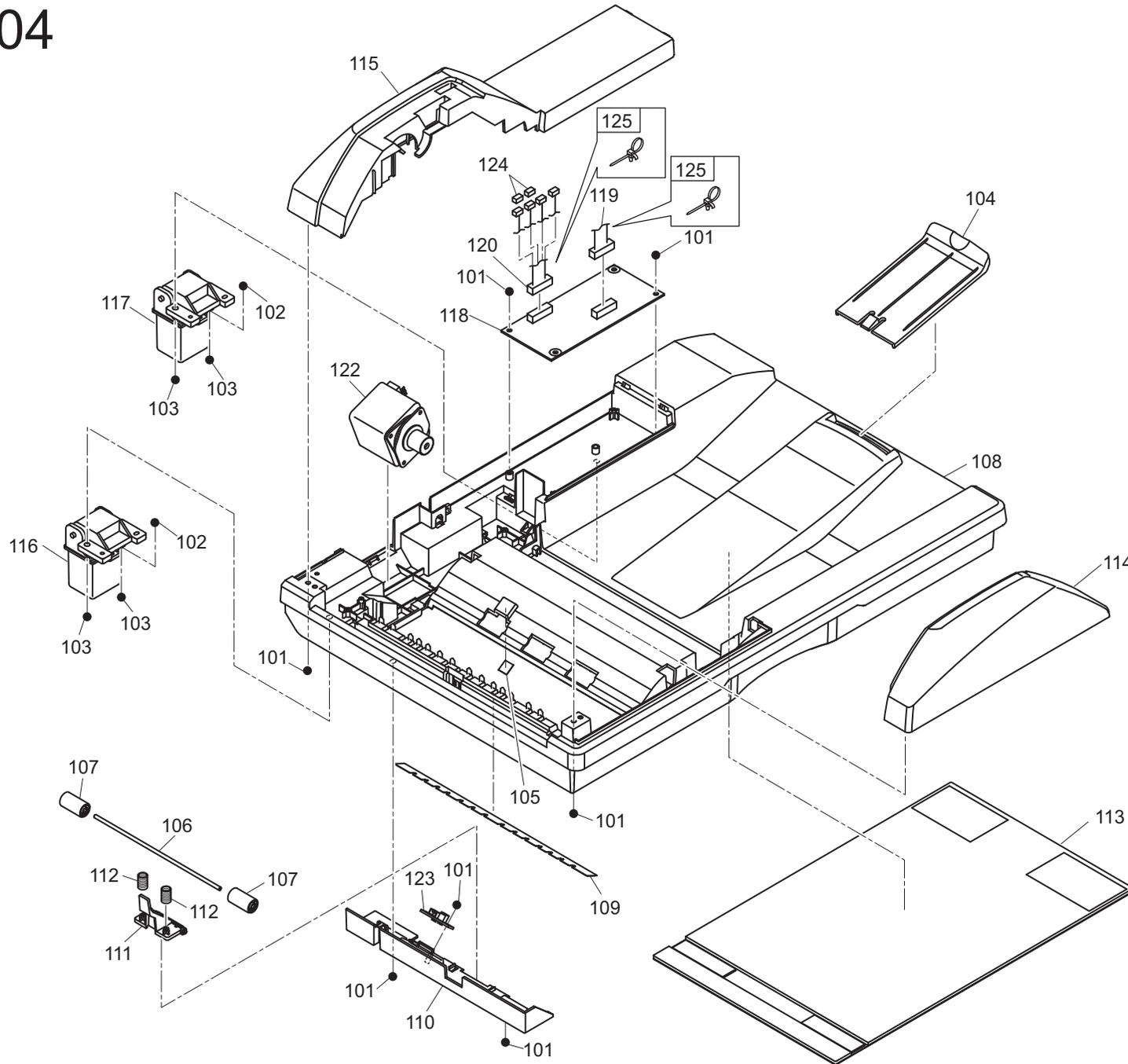
Change of parts price : About parts price of this catalogue is subject to change without notice based on various reasons.

Please be forewarned.

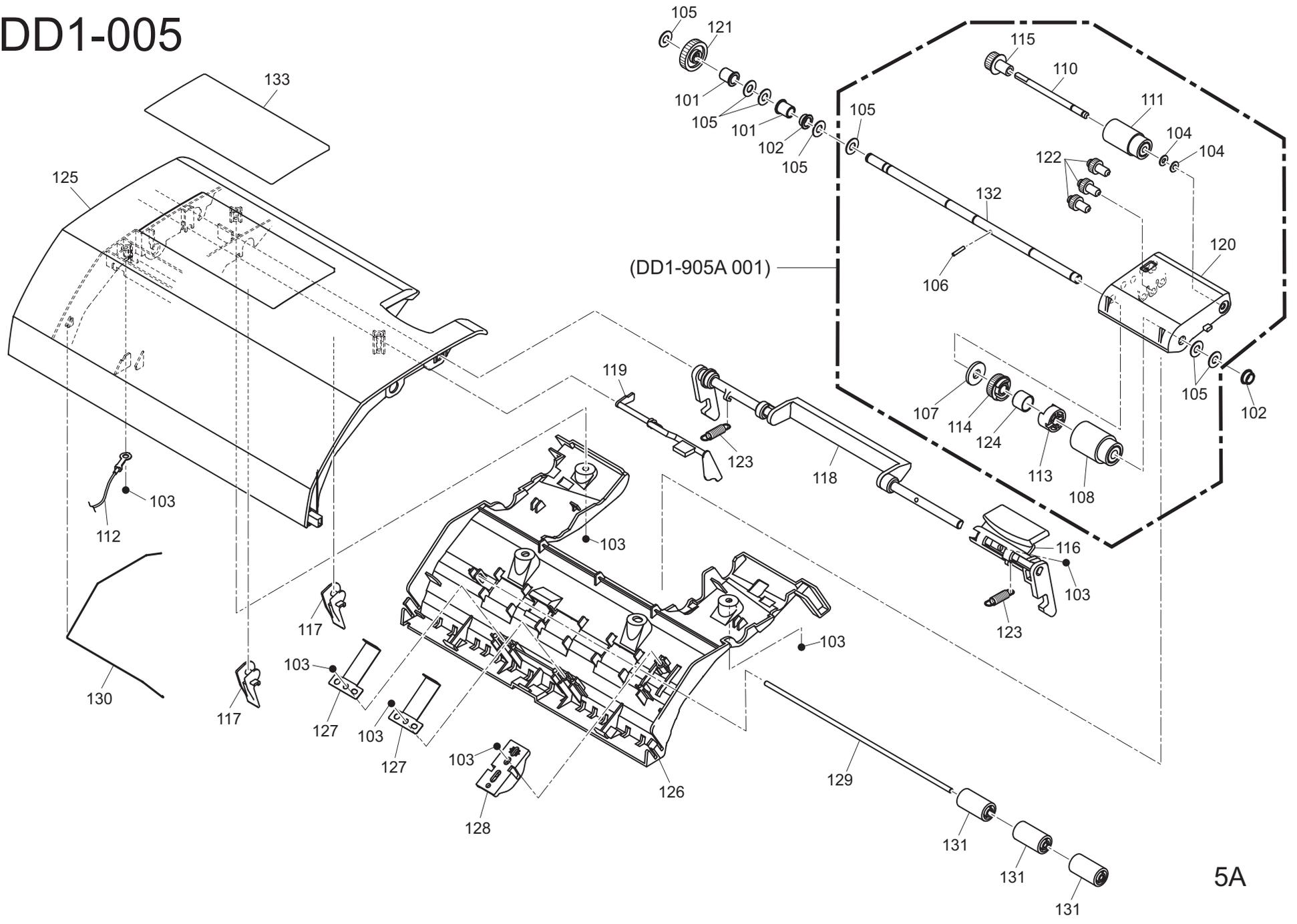
DD1 CONTENTS

DD1004	URADF COVER PLATEN	DD1023	PRINTER JAM ACCESS COVER
DD1005	URADF COVER TX	DD1024	PRINTER GUIDE INNER
DD1006	URADF GUIDE INNER A	DD1025	PRINTER MALTI PURPOSE
DD1007	URADF GUIDE INNER B	DD1026	PRINTER CASSETTE
DD1008	URADF DRIVE BACK	DD1081	ACCESSORY1
DD1009	URADF DRIVE FRONT	DD1083	ENCLOSURE
DD1010	URADF GUIDE OUTER	DD1091	CONSUMABLE
DD1011	PANEL	DD1092	OPTION/CONSUMABLE
DD1012	TOP COVER	DD1905	PARTS URADF COVER TX
DD1013	CHASSIS SCANNER	DD1906	PARTS URADF GUIDE INNER A
DD1014	PRINTER COVER	DD1909	PARTS URADF DRIVE FRONT
DD1015	PRINTER POWER SUPPLY/NCU	DD1912	PARTS TOP COVER
DD1016	PRINTER PCB MAIN	DD1916	PARTS PRINTER PCB MAIN
DD1017	PRINTER CHASSIS1	DD1917	PARTS PRINTER CHASSIS1
DD1018	PRINTER CHASSIS2	DD1919	PARTS PRINTER DRIVE FRONT
DD1019	PRINTER DRIVE FRONT	DD1920	PARTS PRINTER DRIVE BACK
DD1020	PRINTER DRIVE BACK	DD1922	PARTS PRINTER FUSER
DD1021	PRINTER EXIT	DD1924	PARTS PRINTER GUIDE INNER
DD1022	PRINTER FUSER	DD1926	PARTS PRINTER CASSETTE

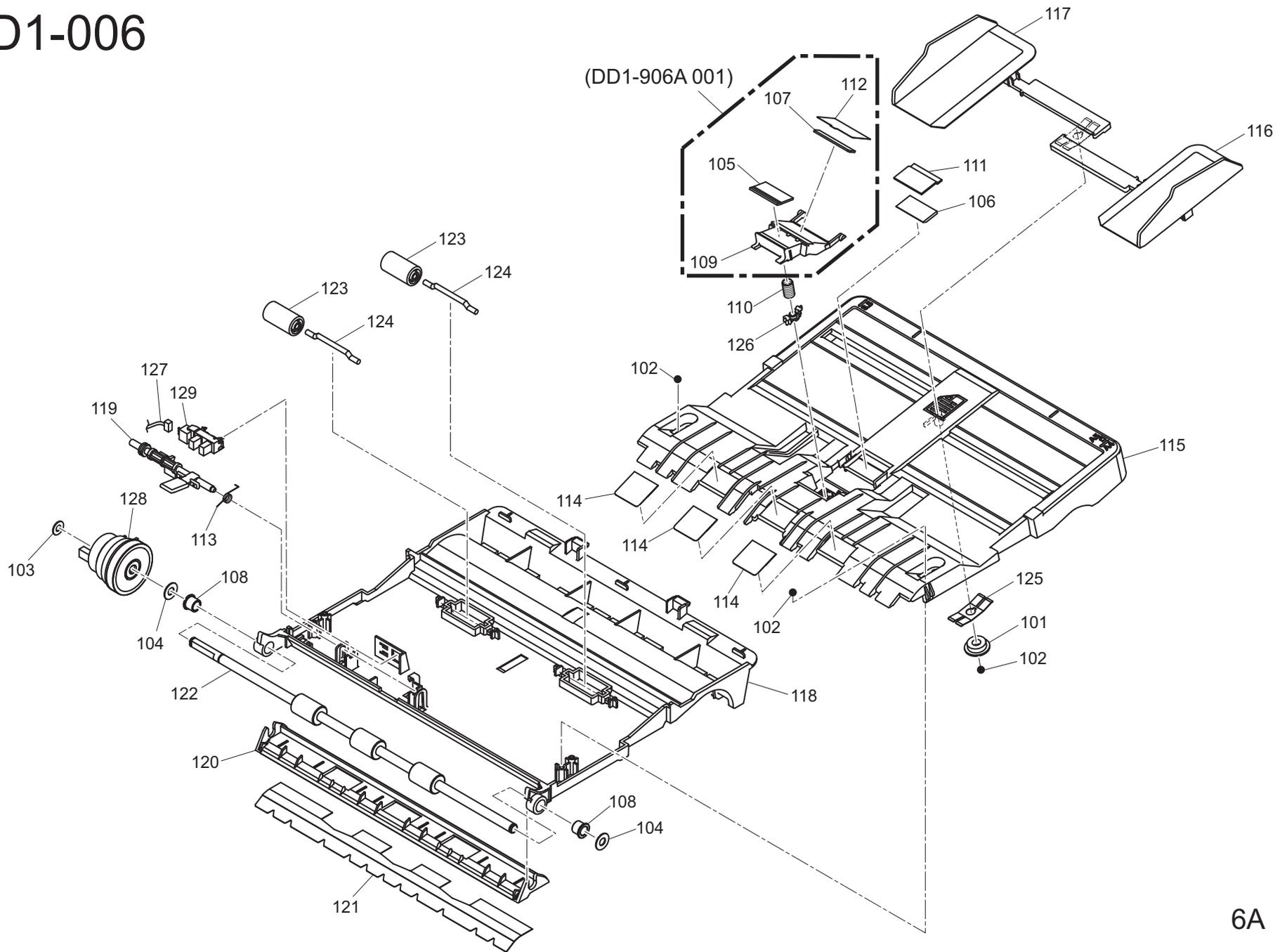
DD1-004



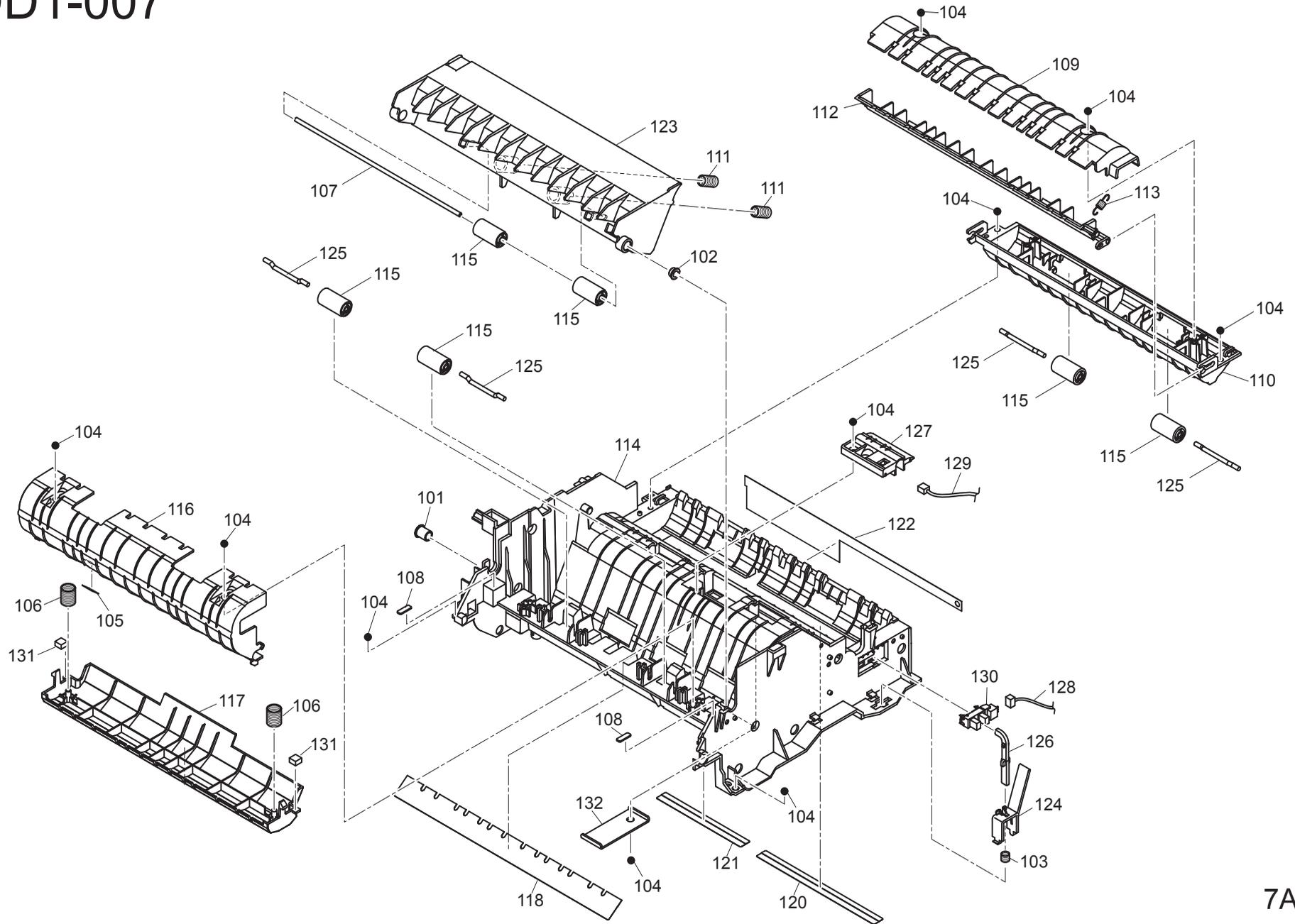
DD1-005



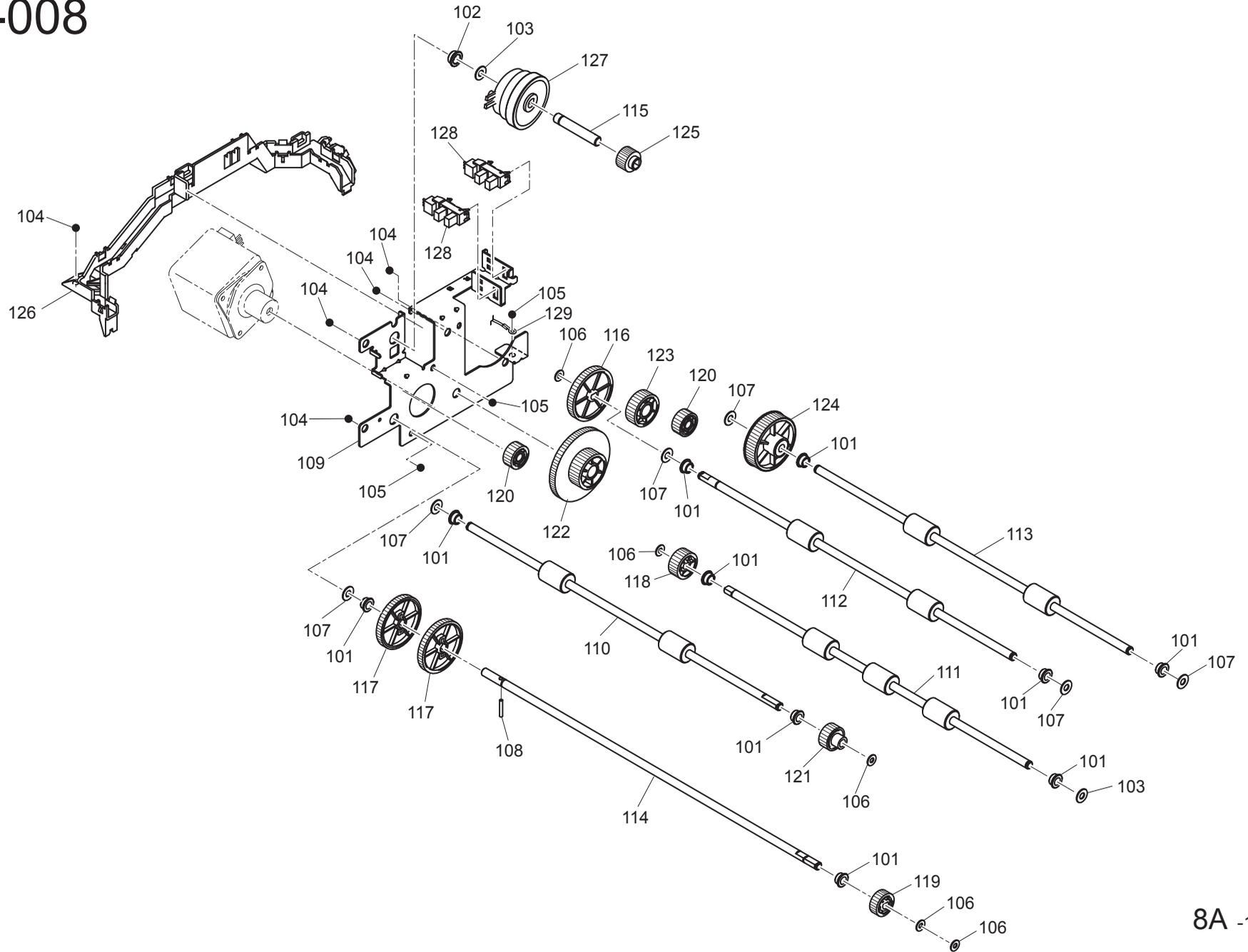
DD1-006



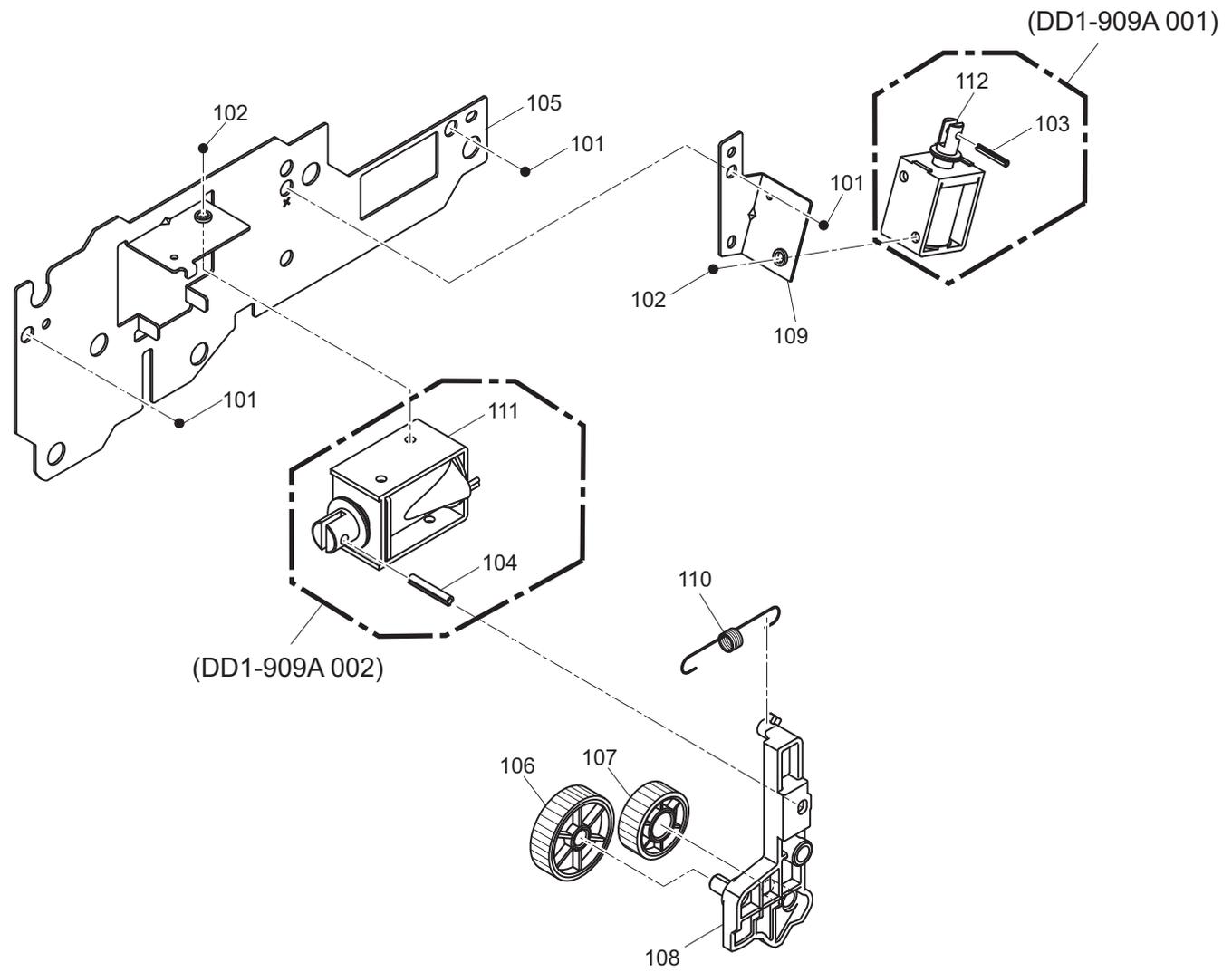
DD1-007



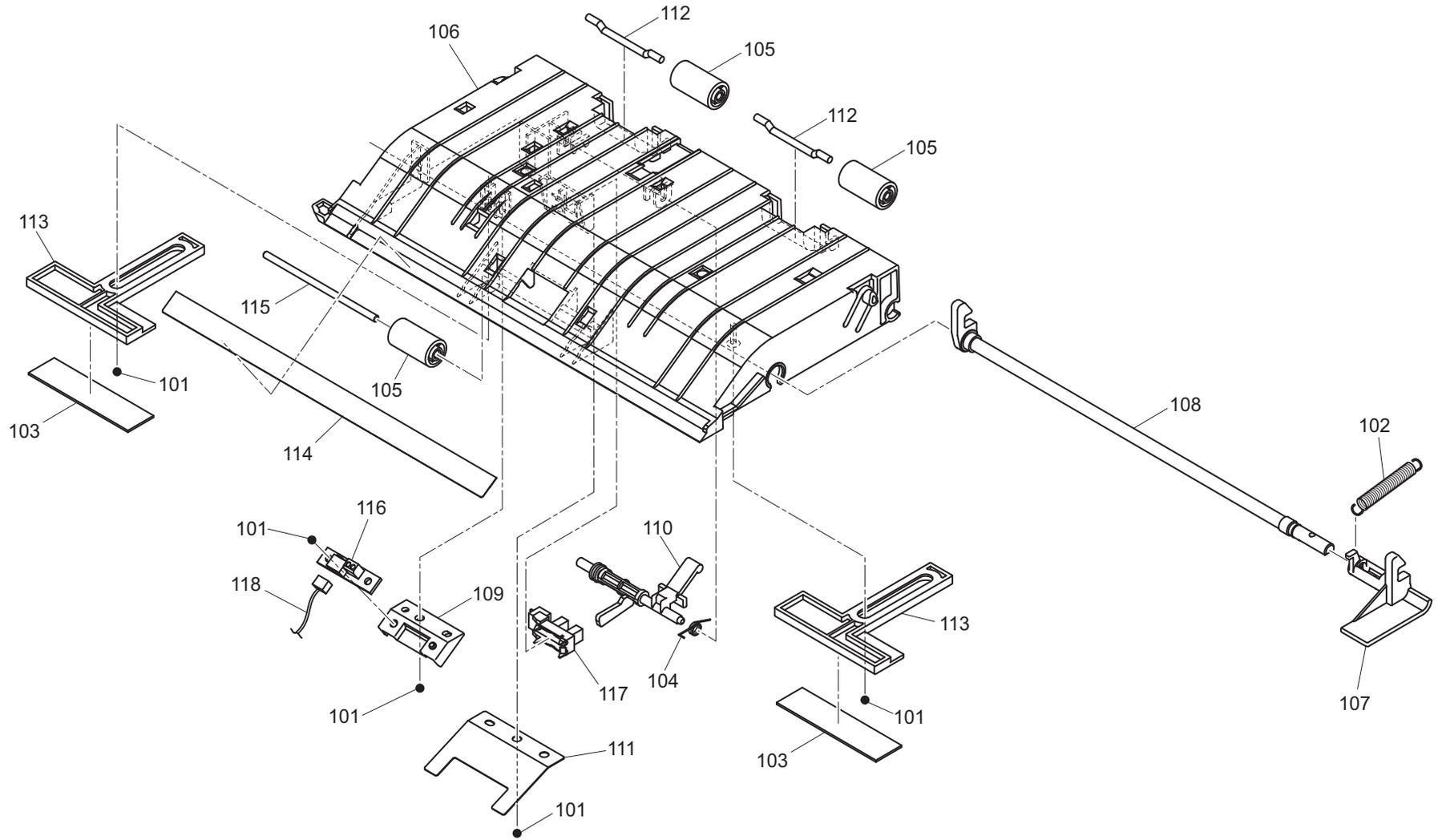
DD1-008



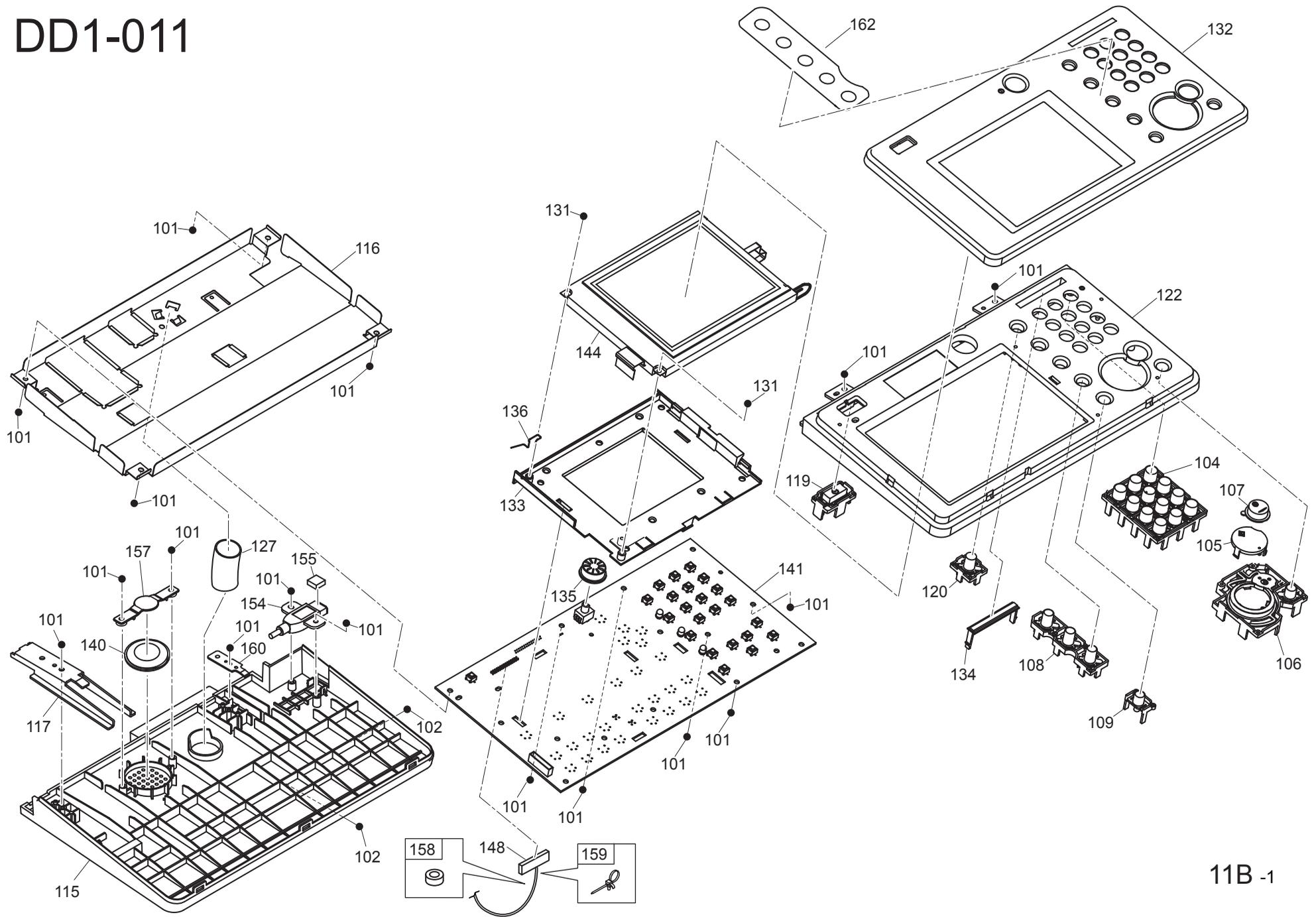
DD1-009



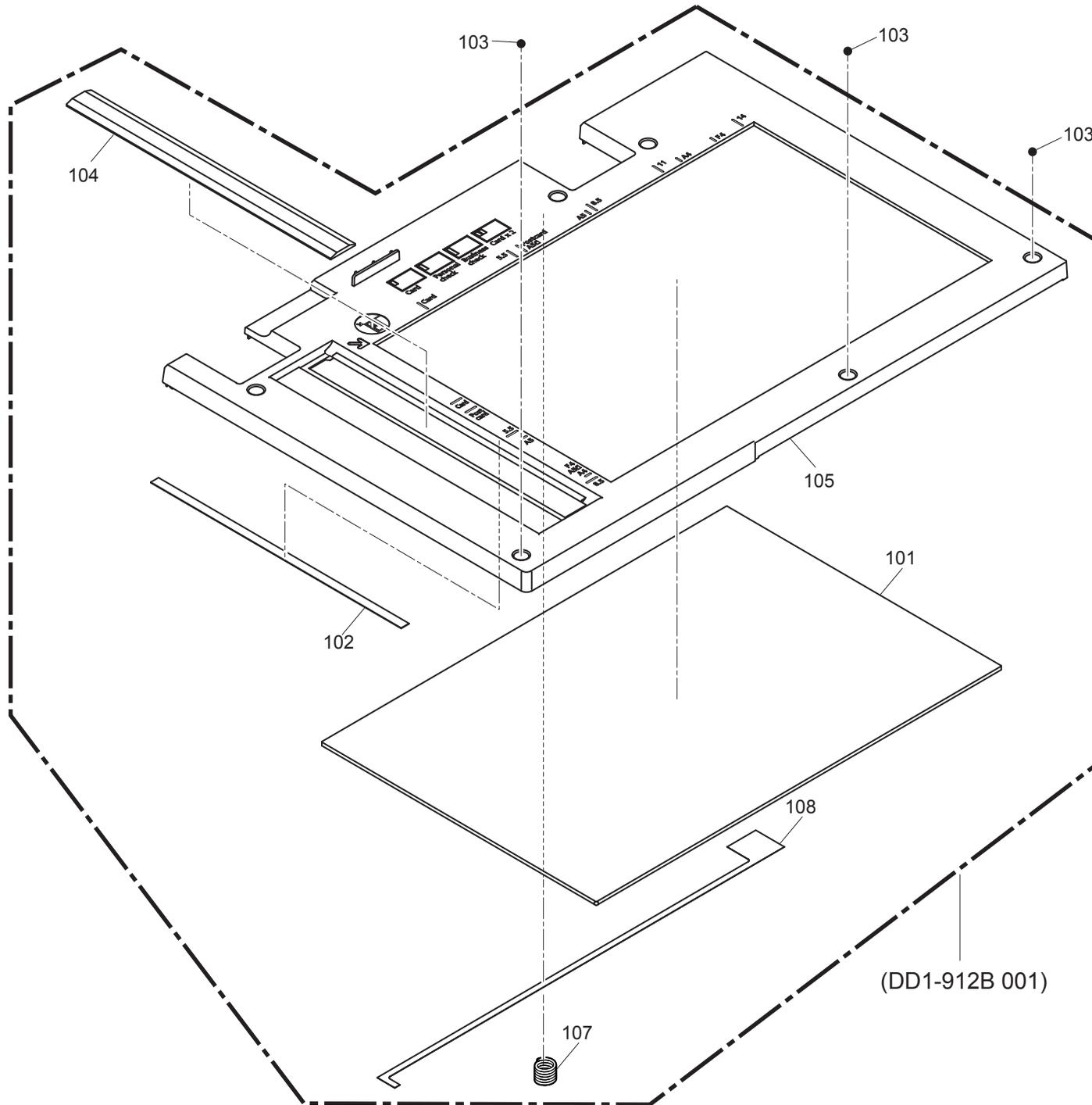
DD1-010



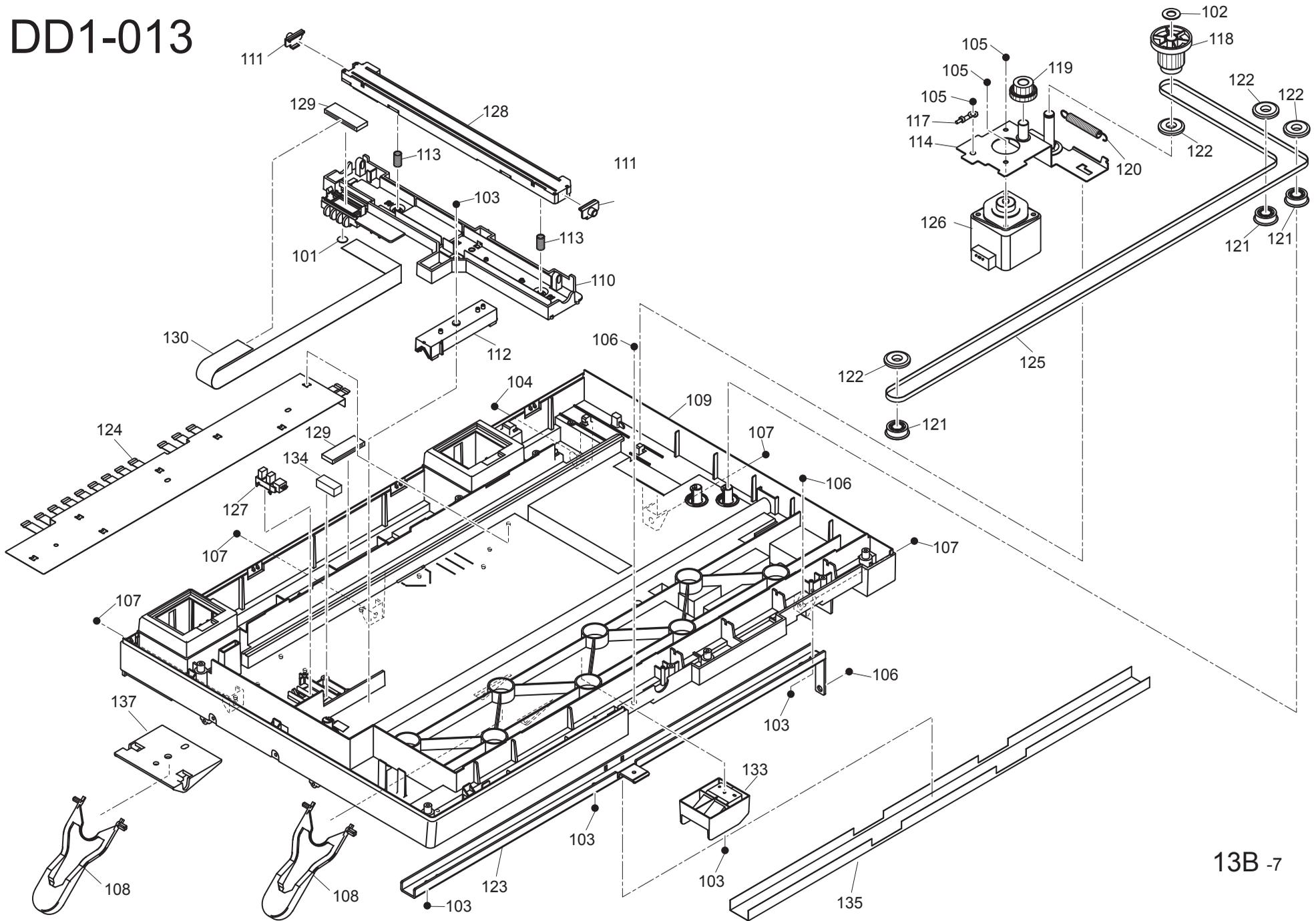
DD1-011



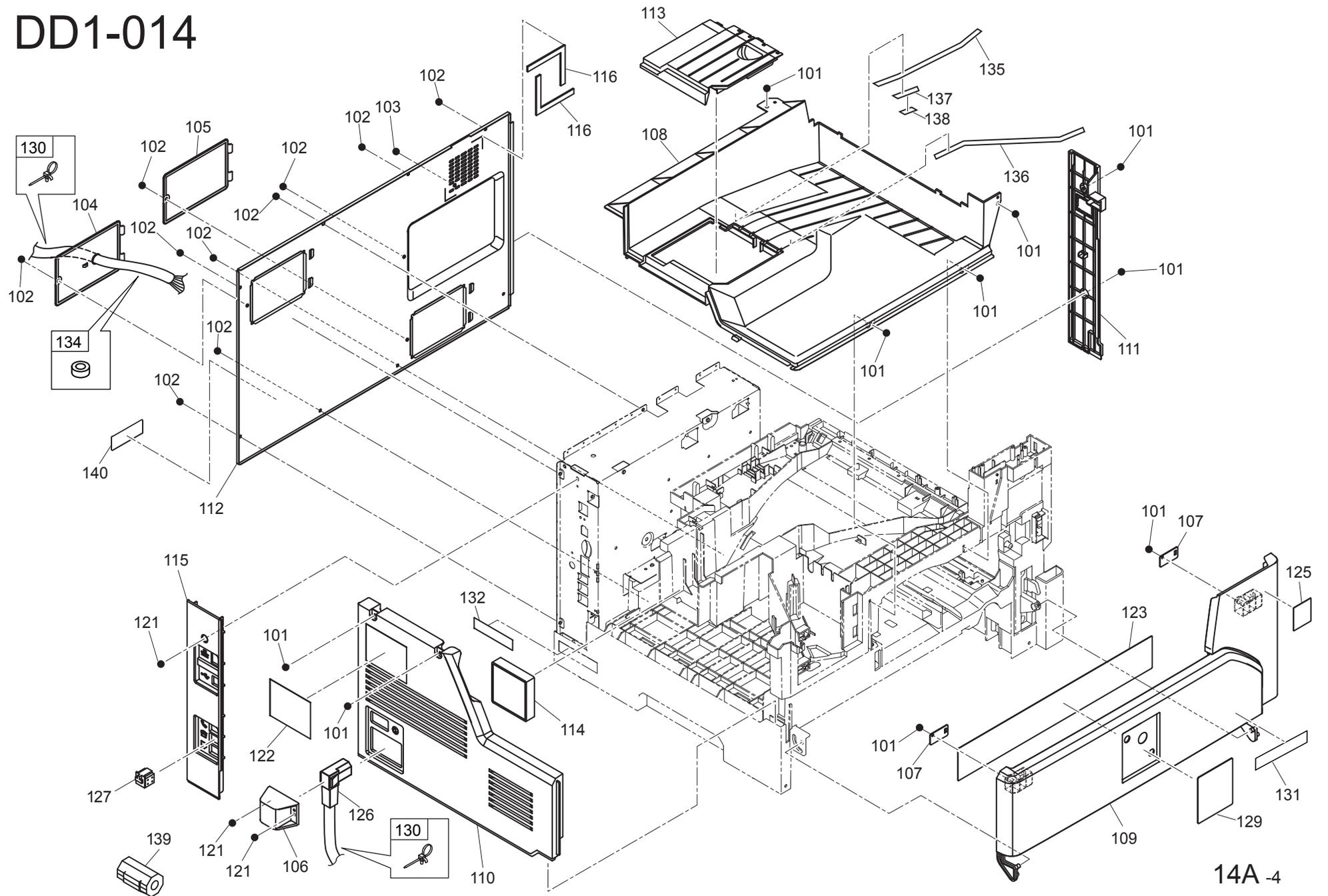
DD1-012



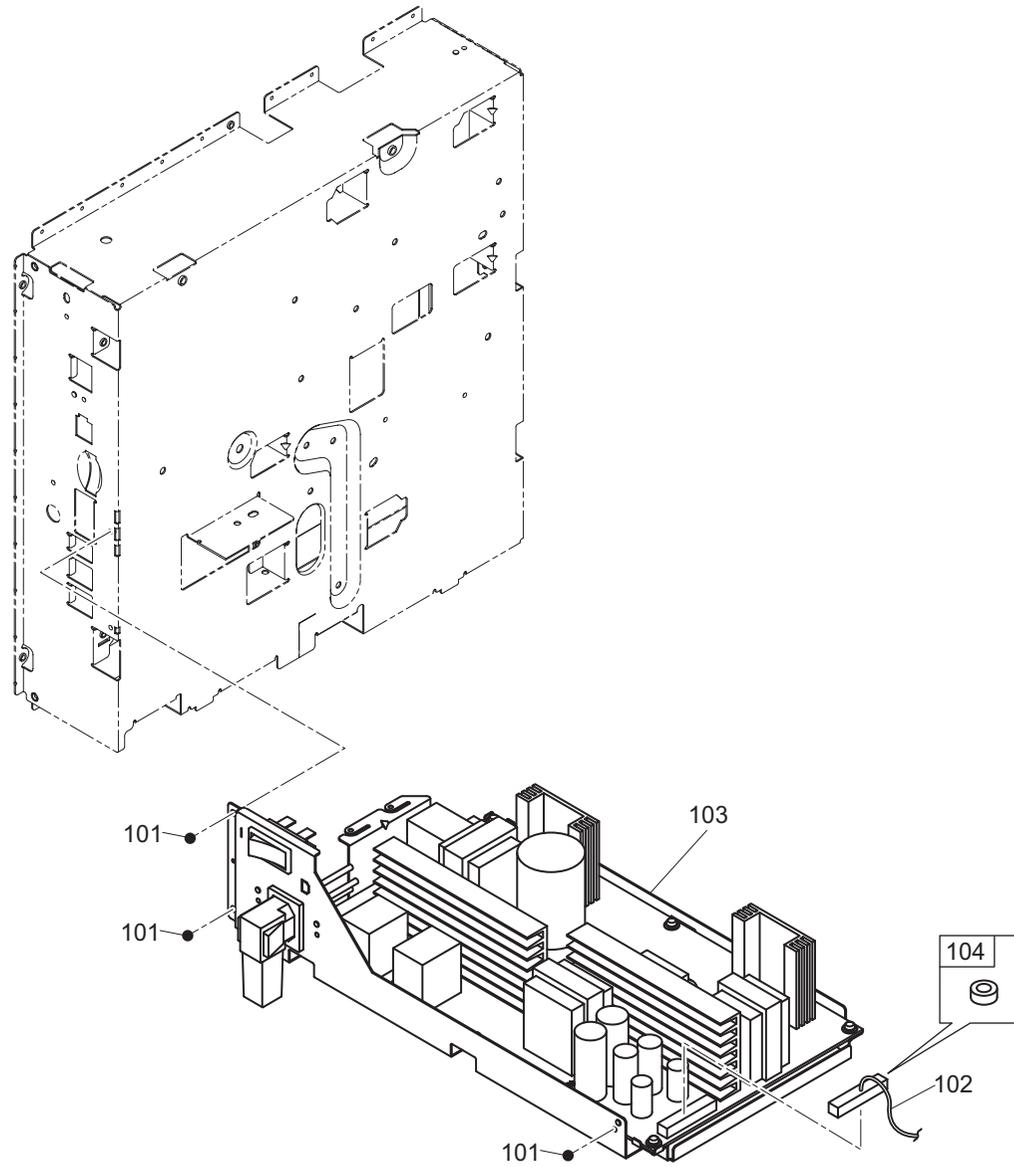
DD1-013



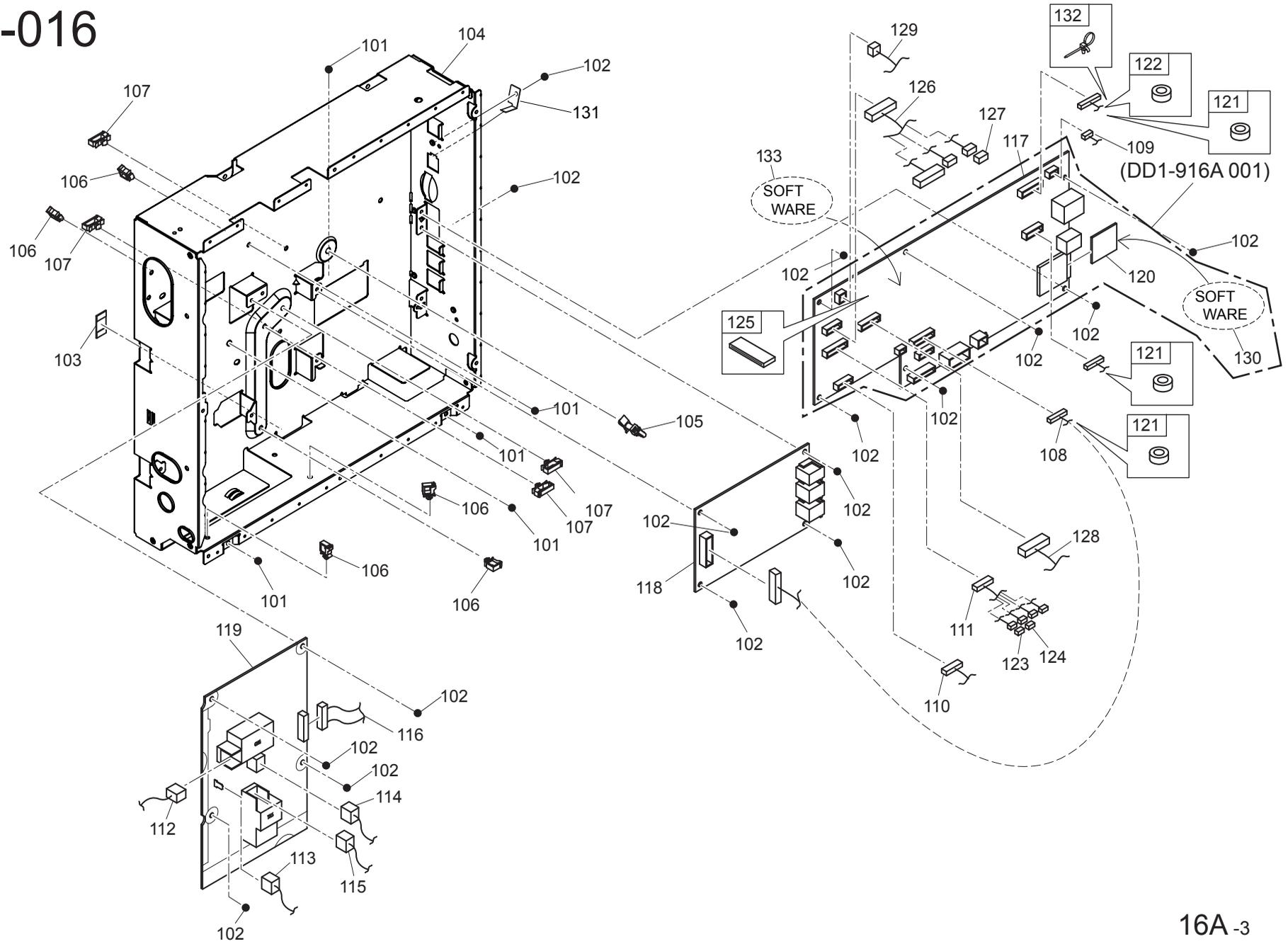
DD1-014



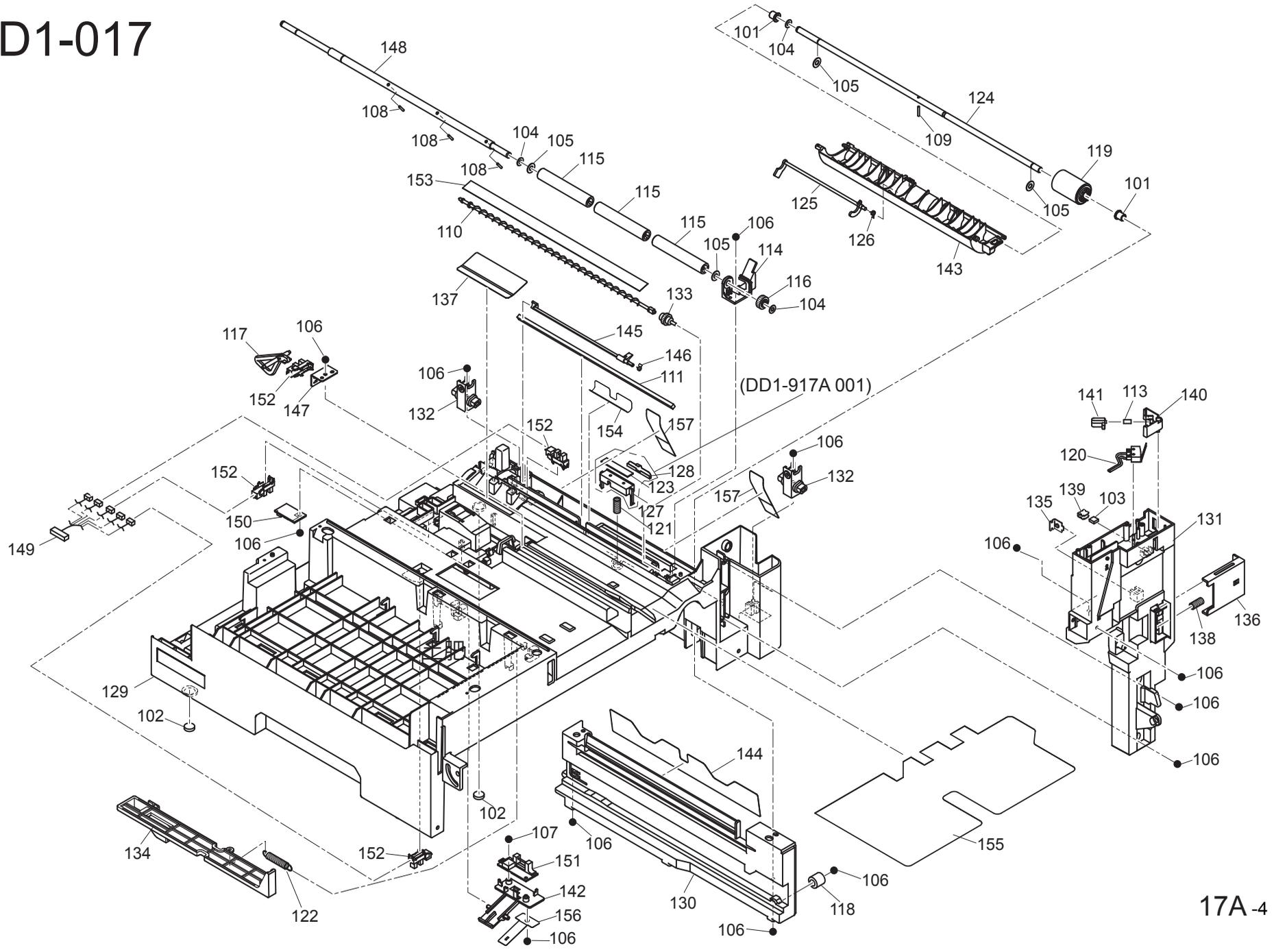
DD1-015



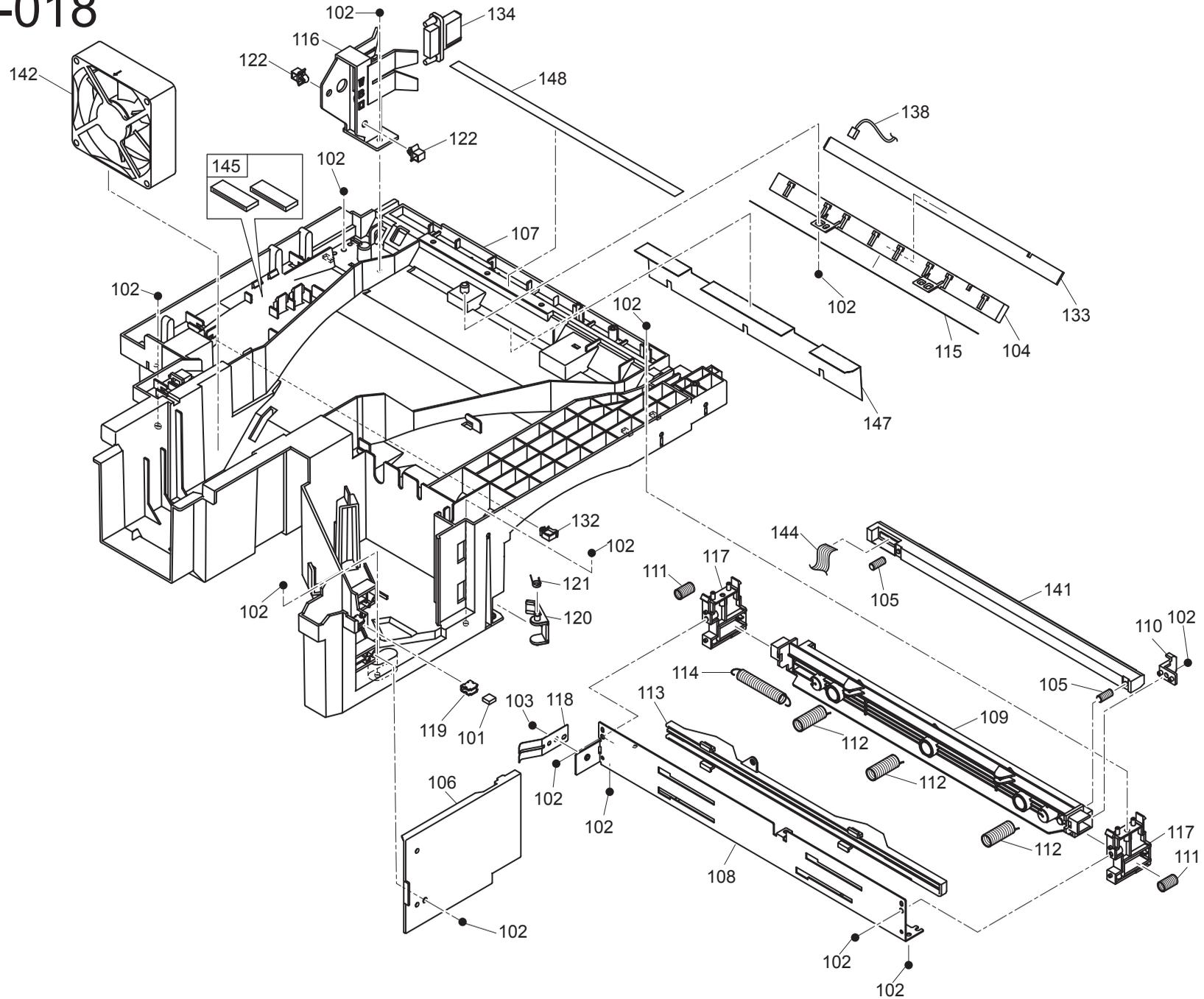
DD1-016



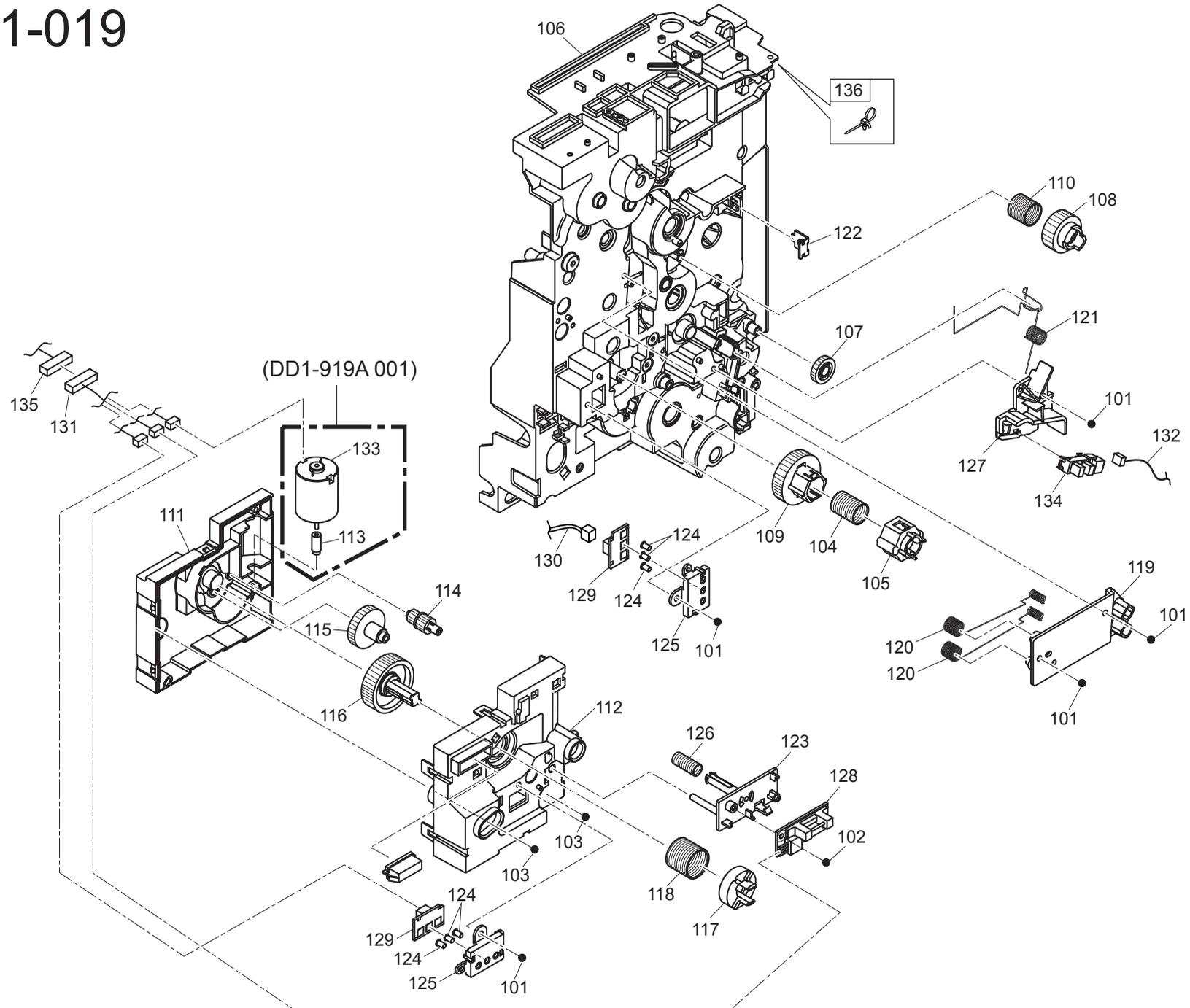
DD1-017



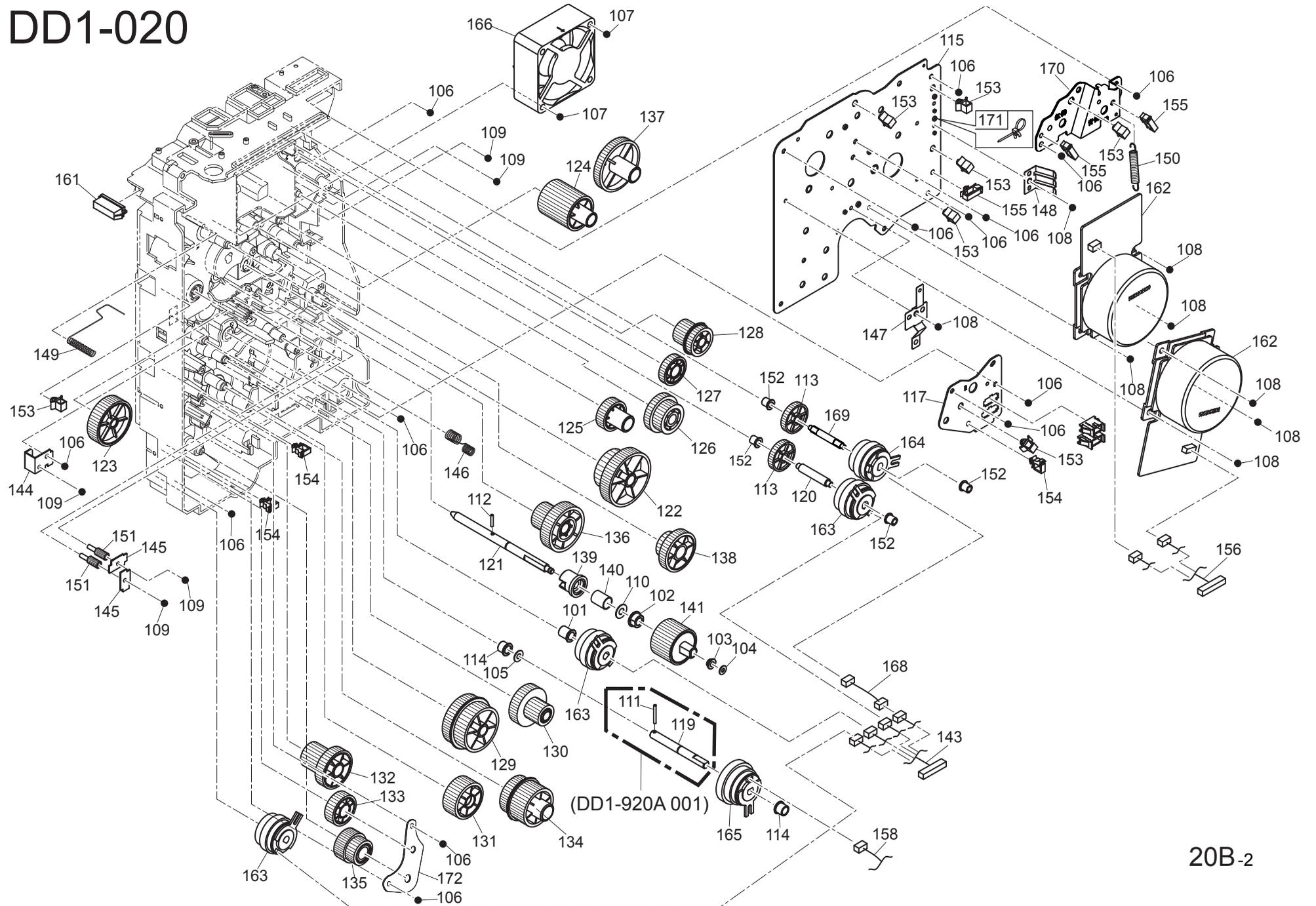
DD1-018



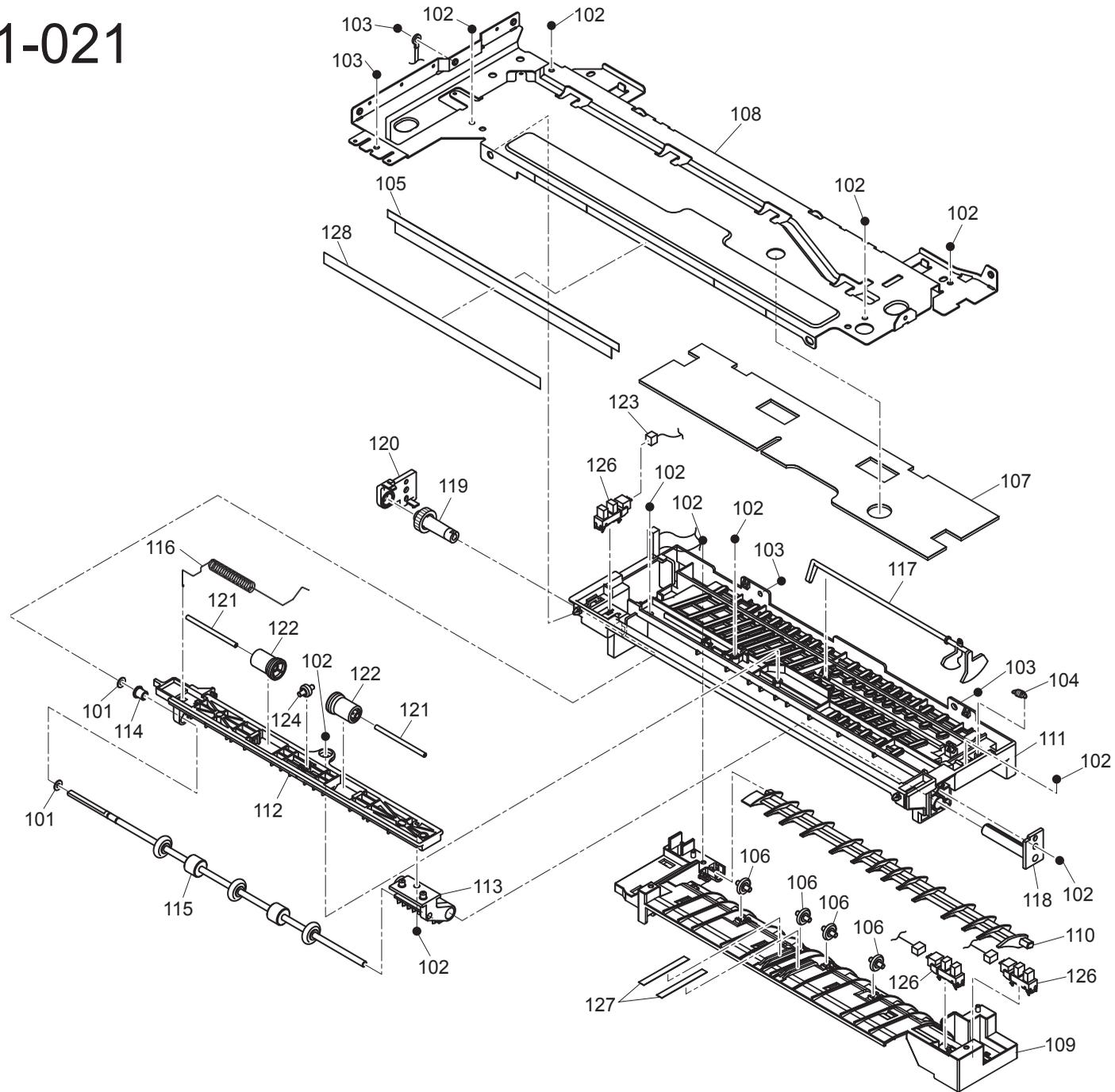
DD1-019



DD1-020

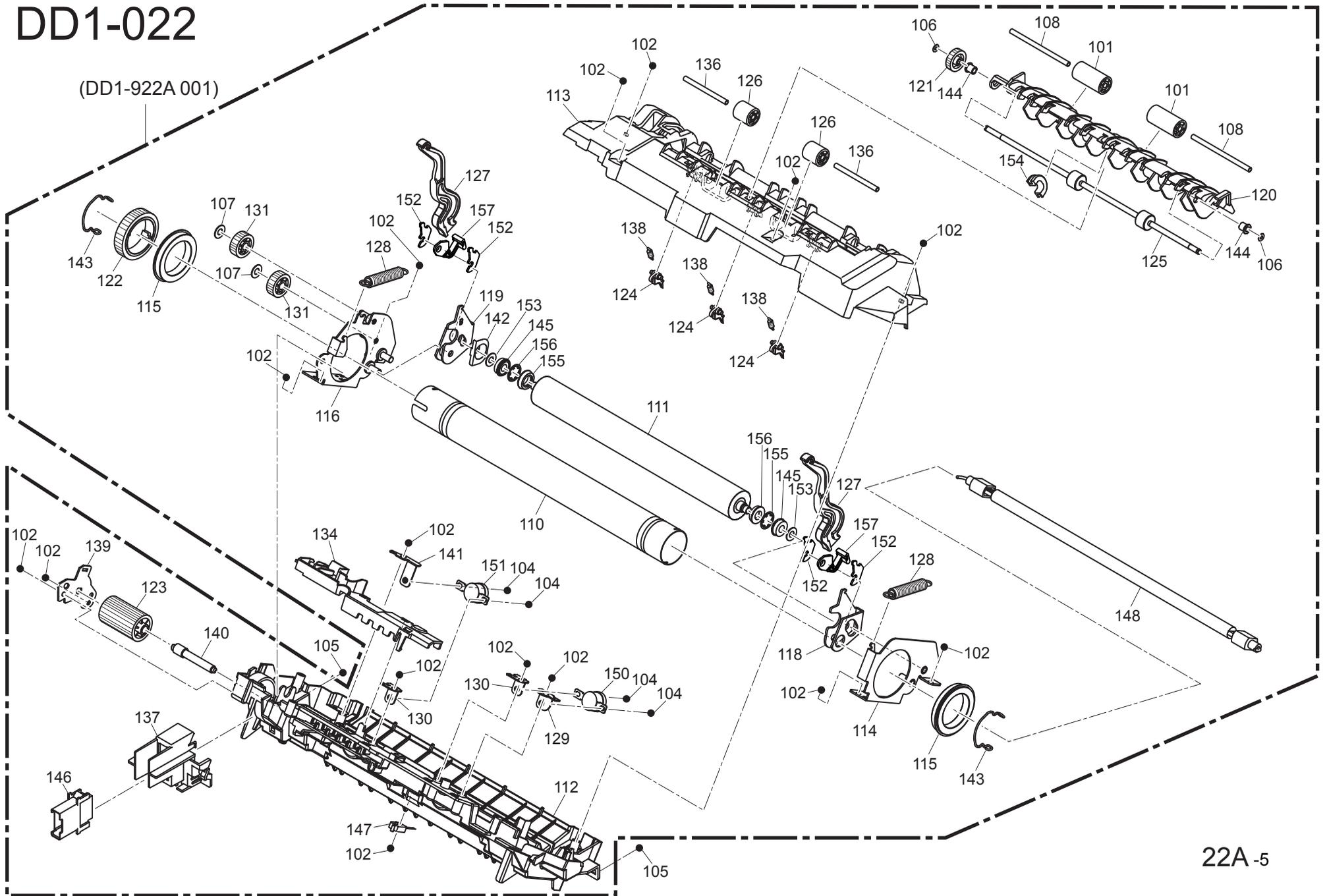


DD1-021

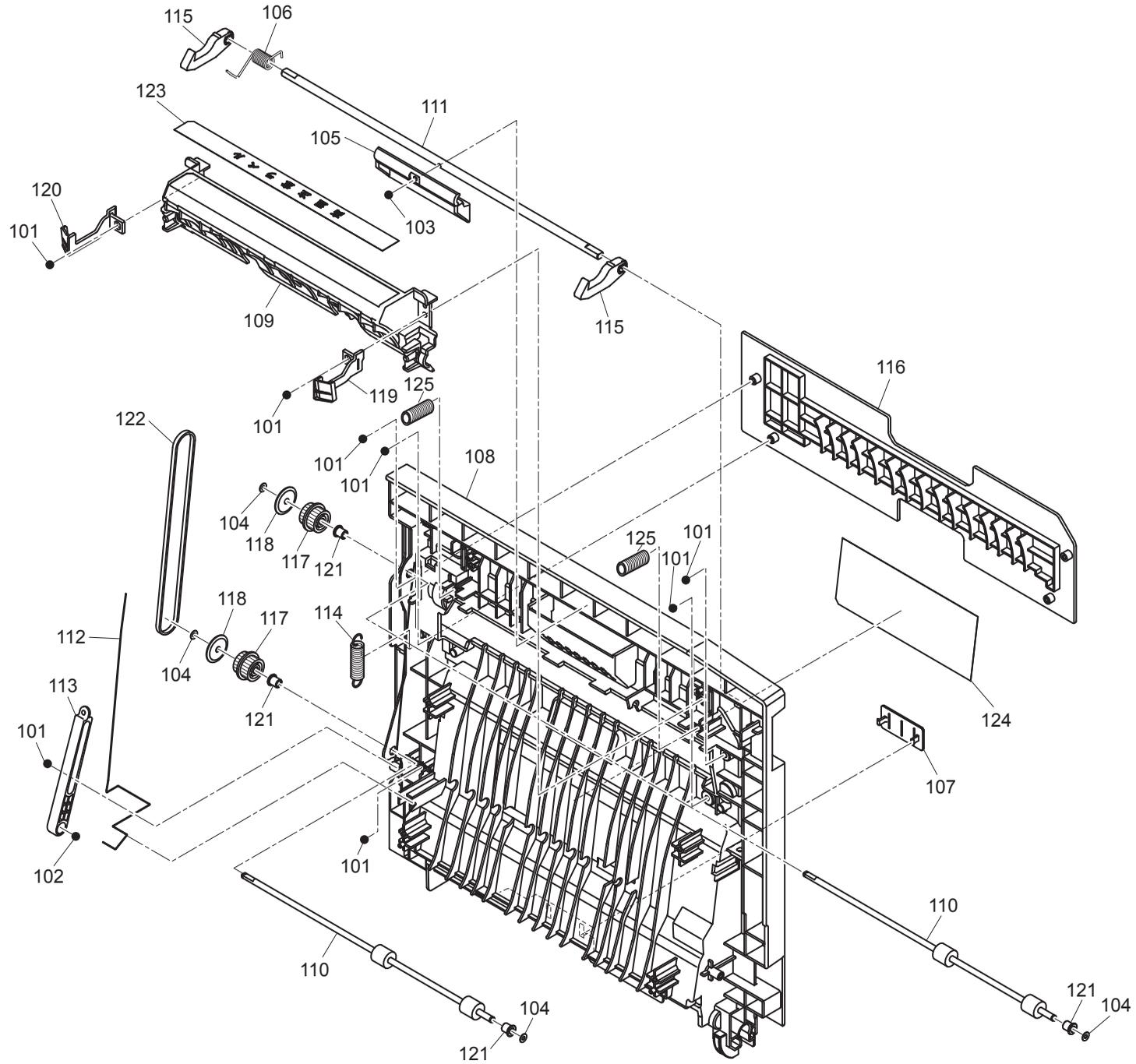


DD1-022

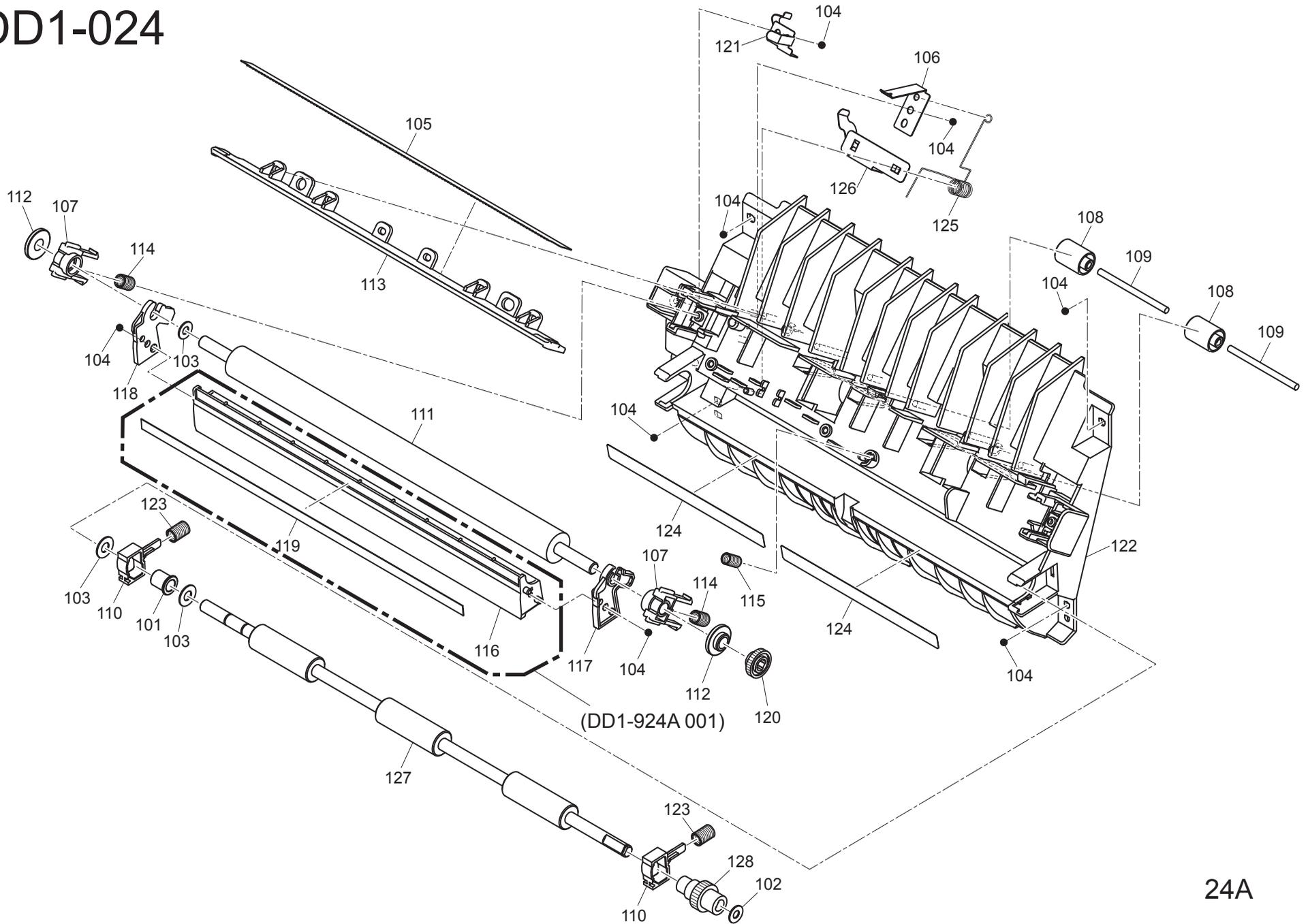
(DD1-922A 001)



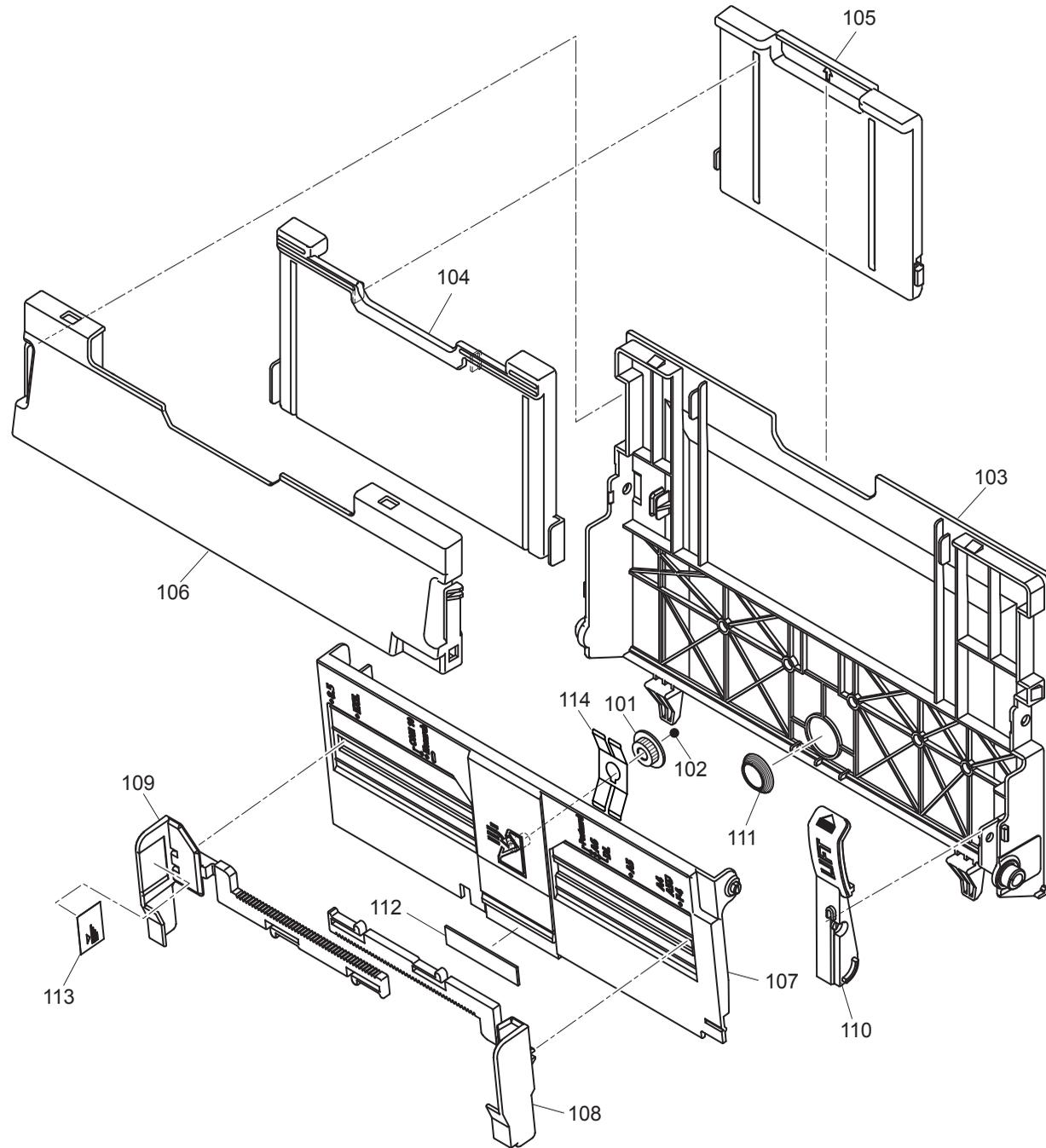
DD1-023



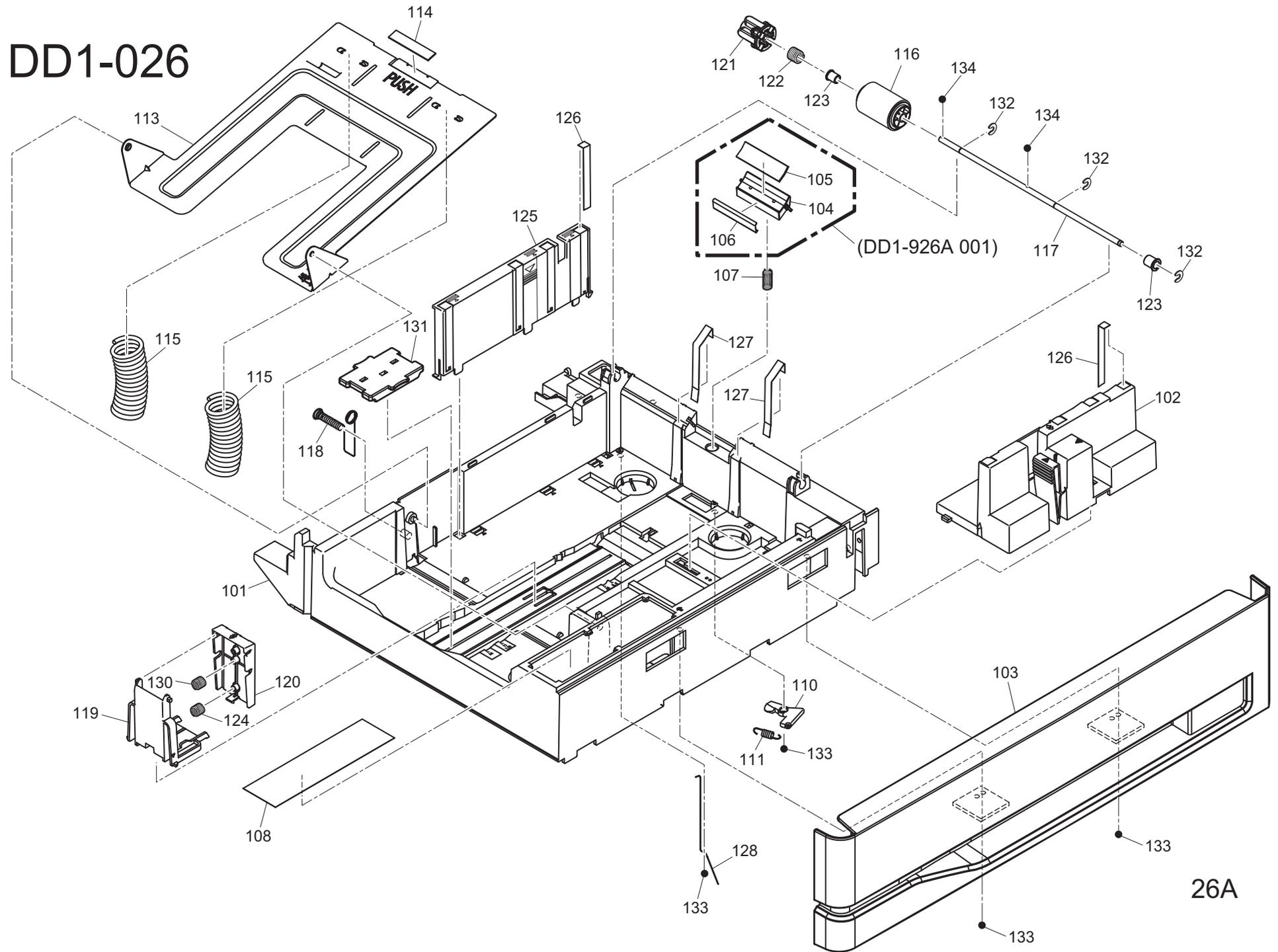
DD1-024



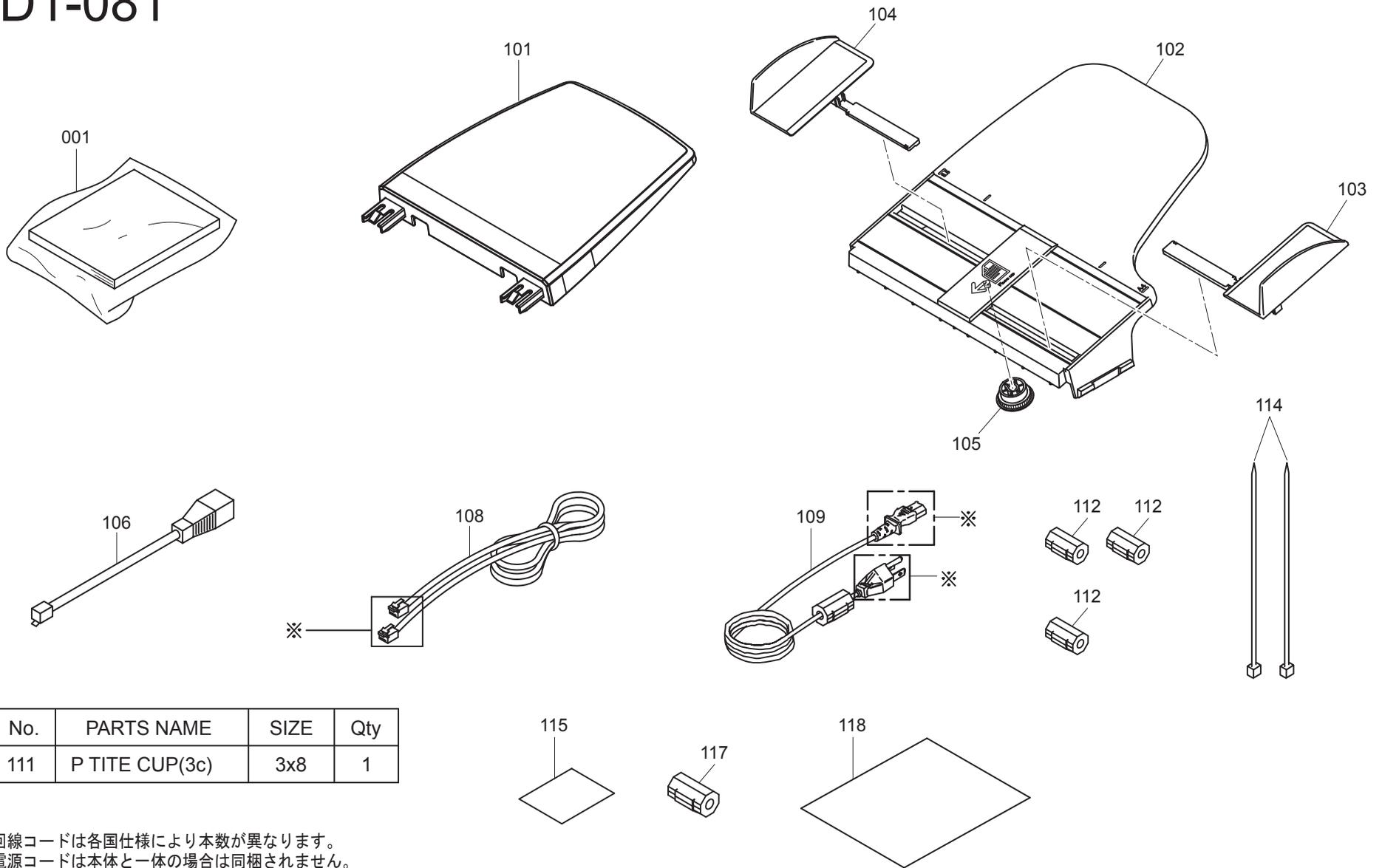
DD1-025



DD1-026



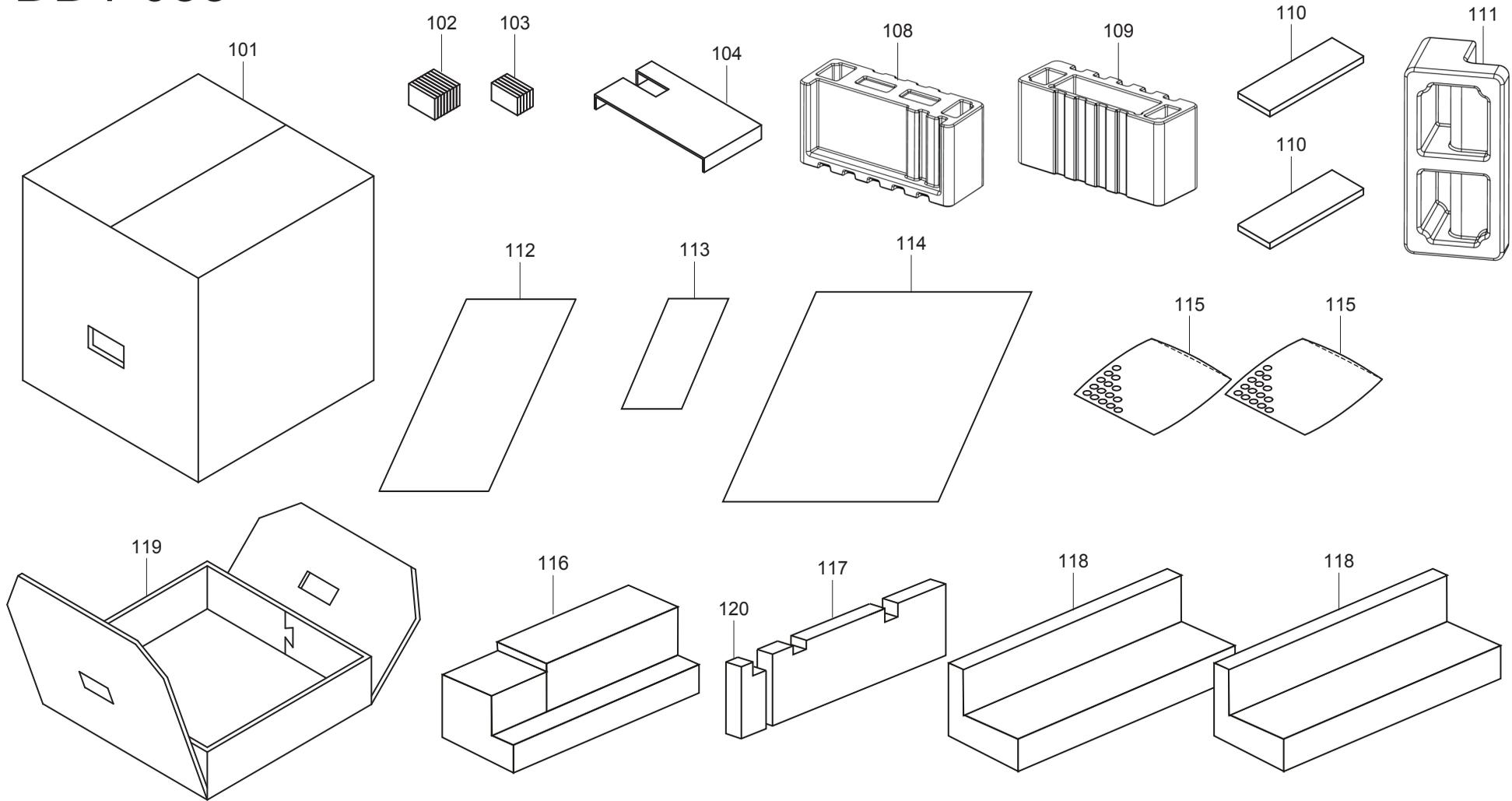
DD1-081



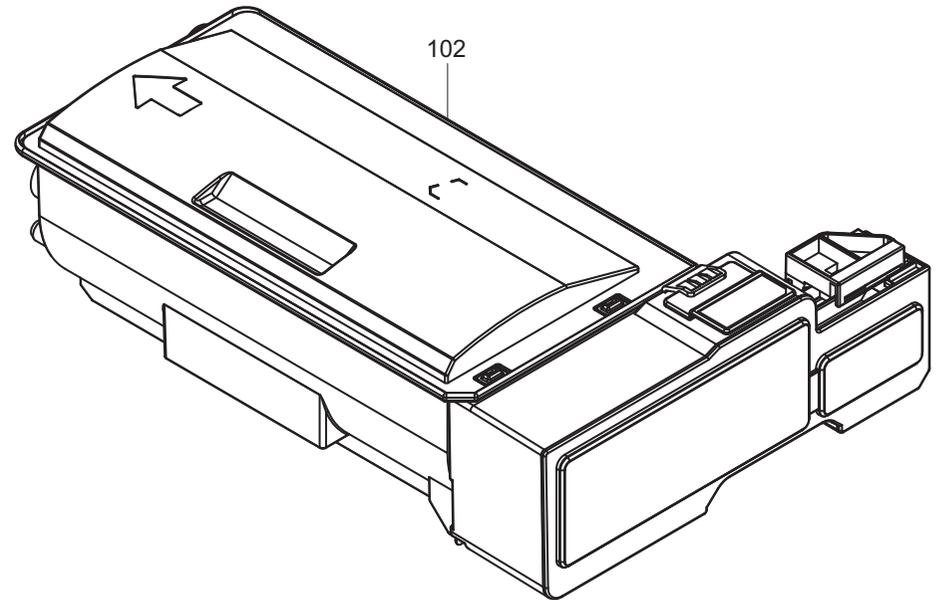
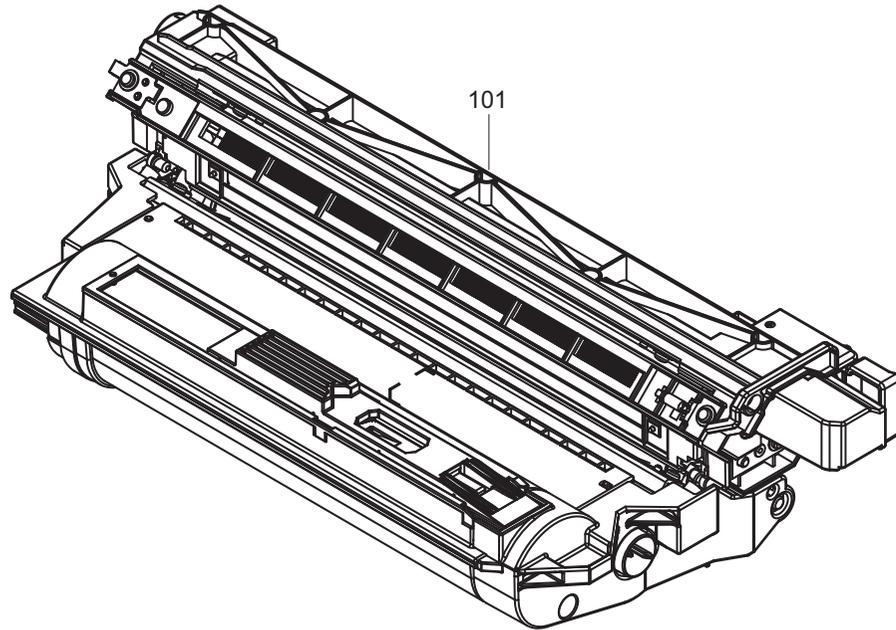
No.	PARTS NAME	SIZE	Qty
111	P TITE CUP(3c)	3x8	1

※回線コードは各国仕様により本数が異なります。
 電源コードは本体と一体の場合は同梱されません。
 なお、各国仕様によりプラグ形状が異なります。
 The quantity of tel line cable will differ depending on country.
 Power cord will not be enclosed when installed in the product.
 Plug/connector shape will also differ depending on country.

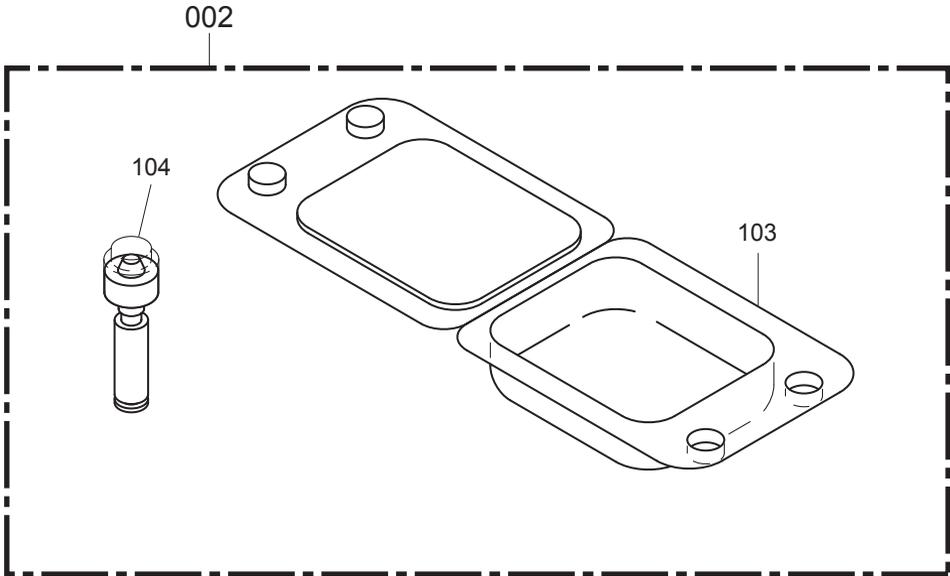
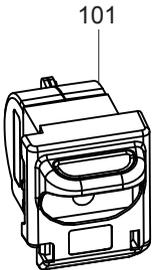
DD1-083



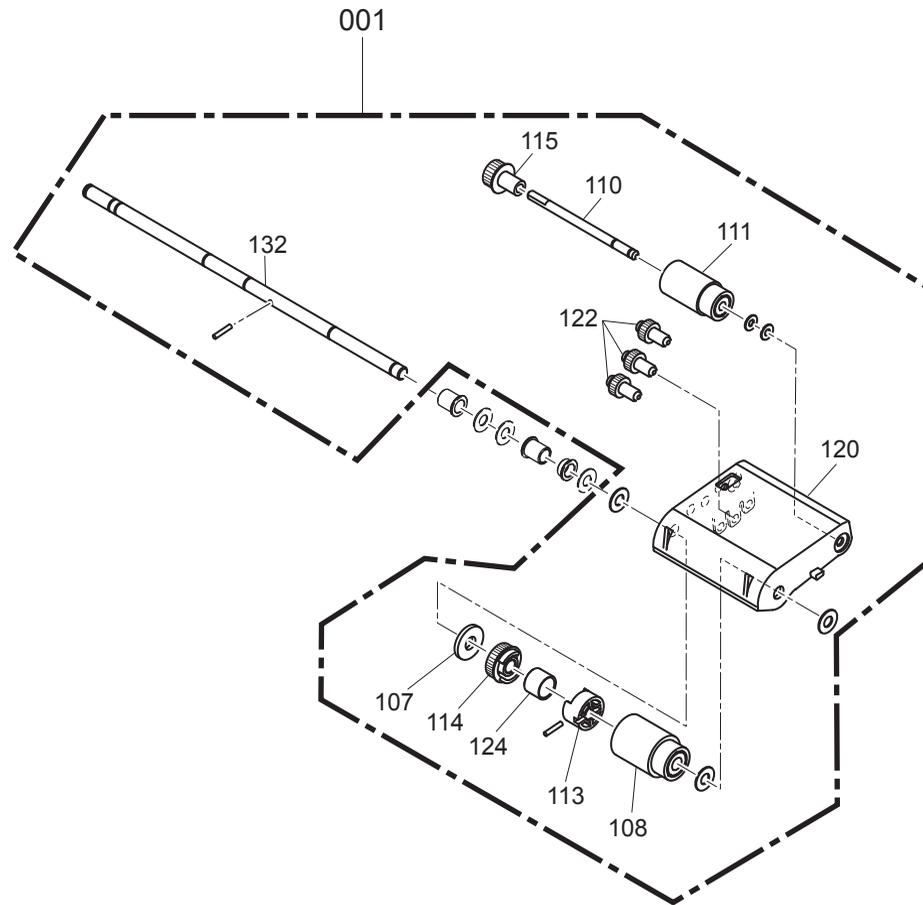
DD1-091



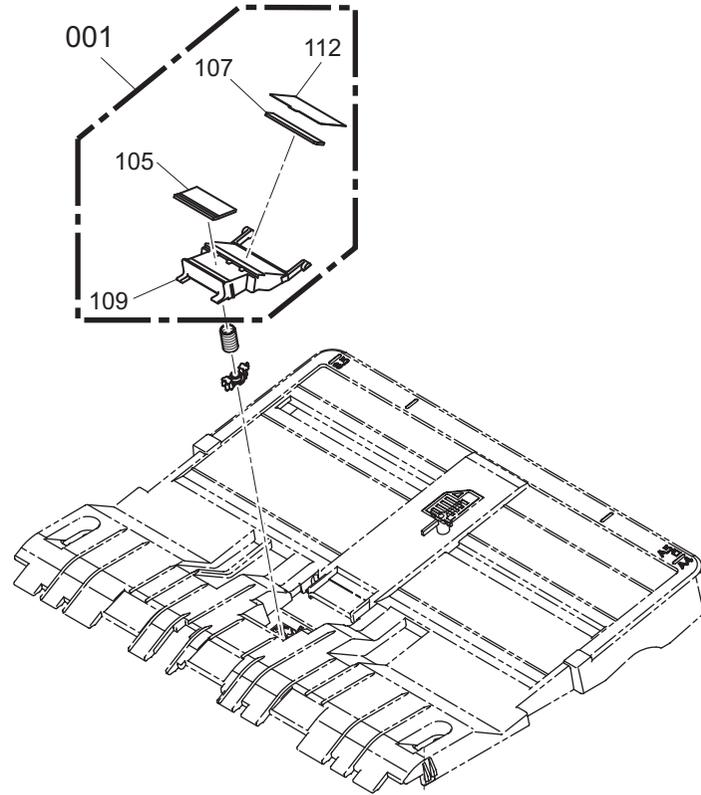
DD1-092



DD1-905

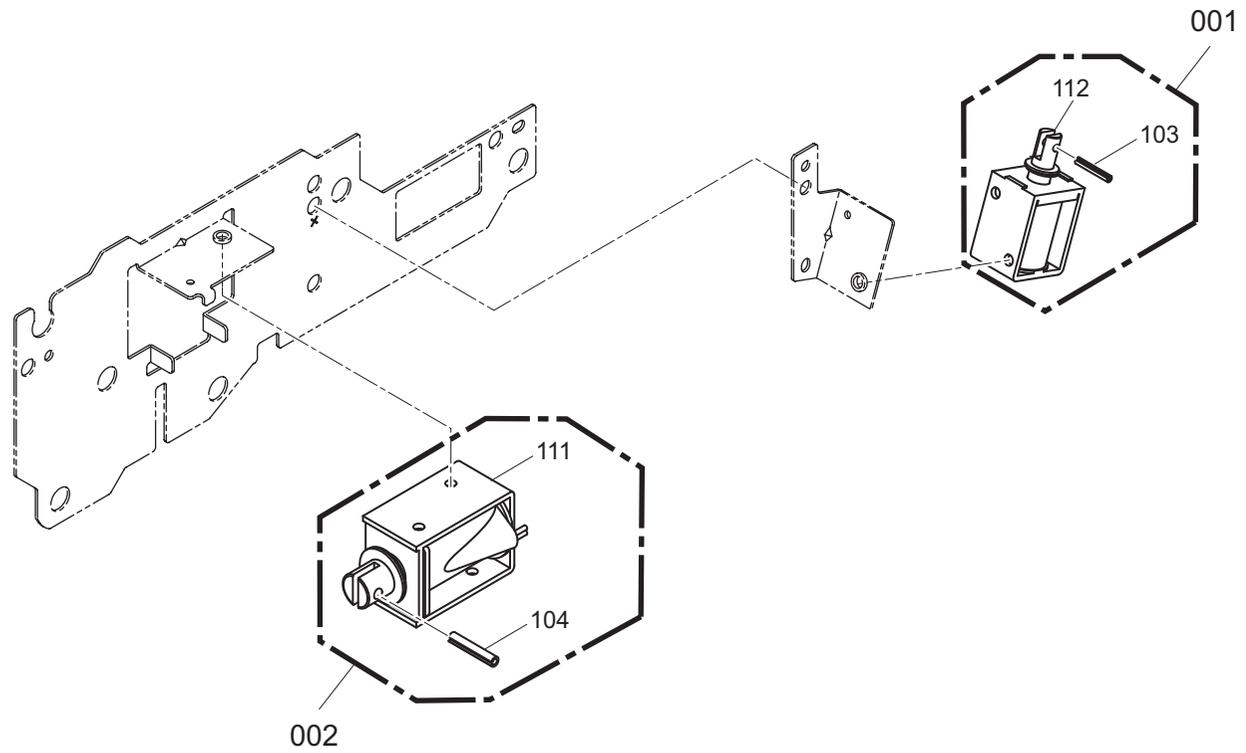


DD1-906



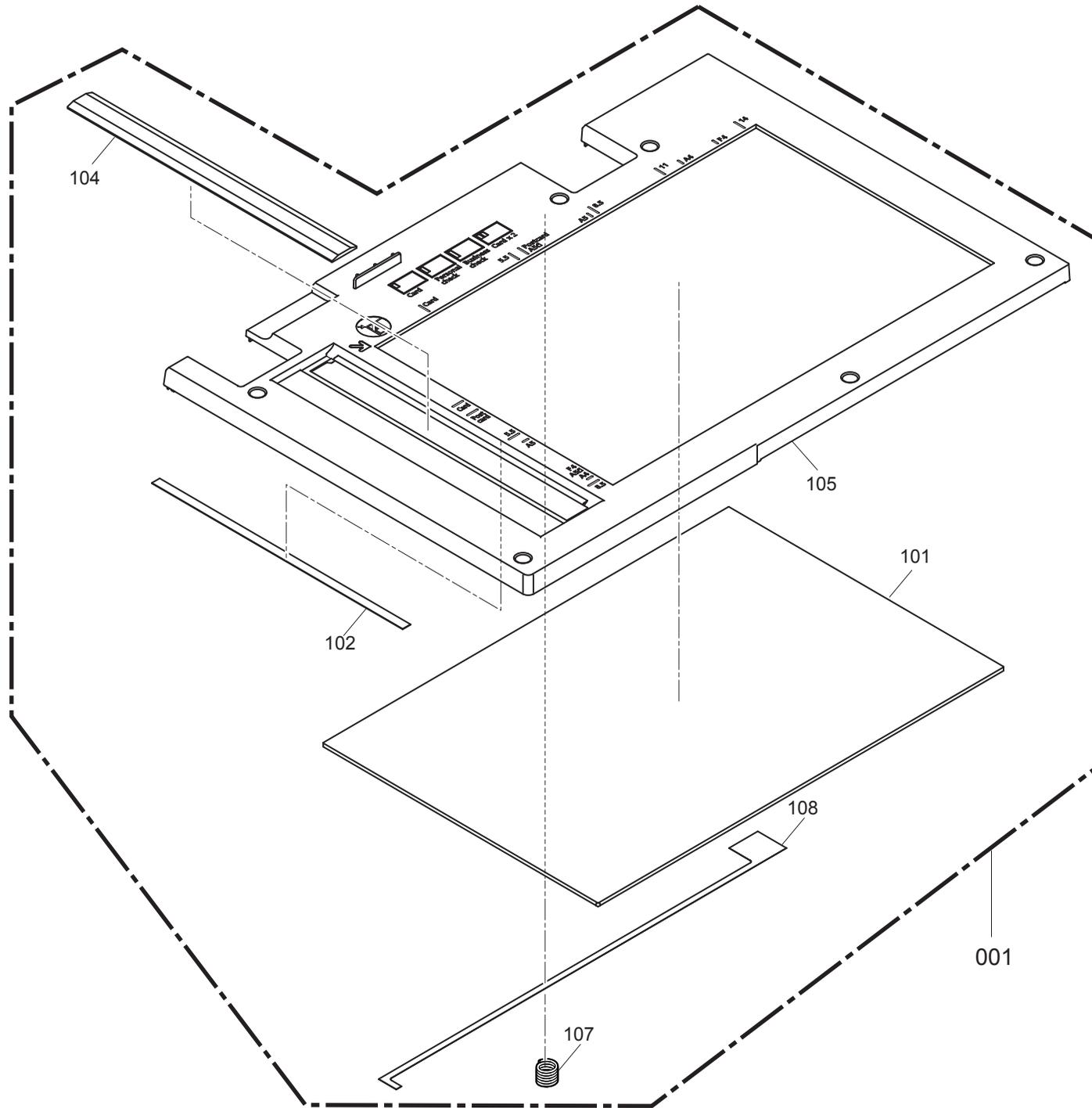
906A

DD1-909



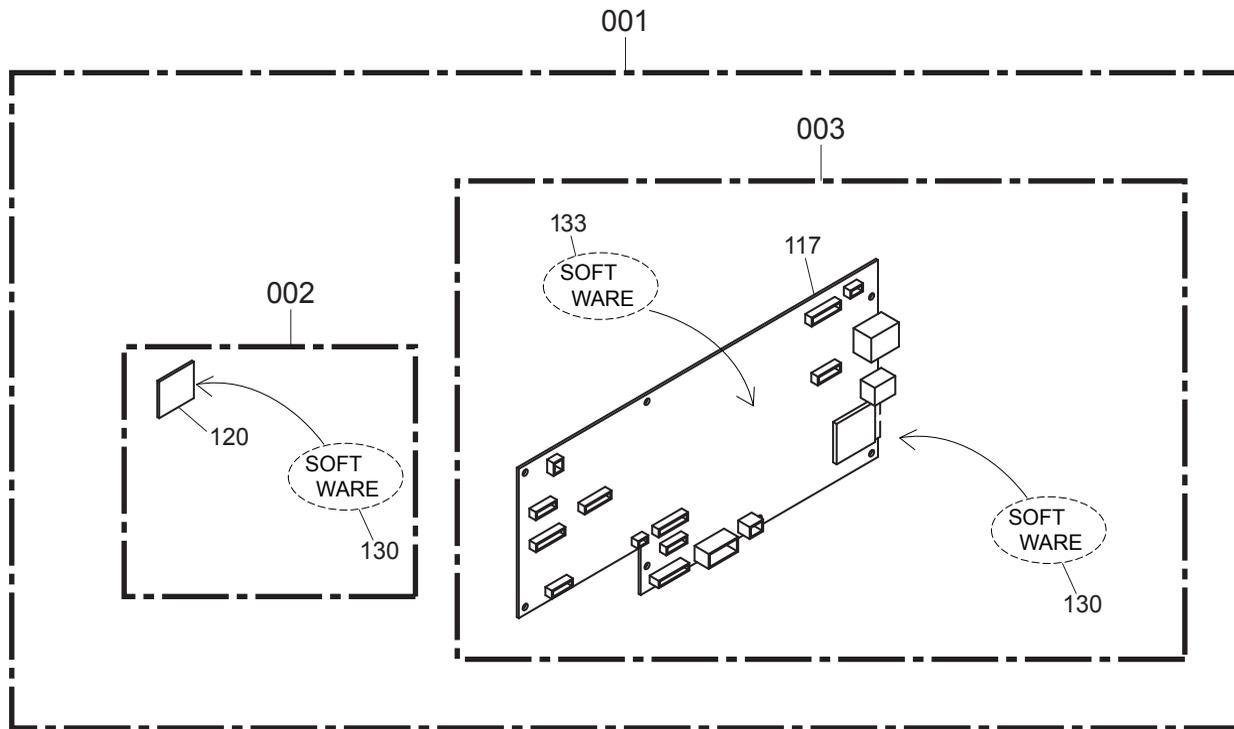
909A

DD1-912

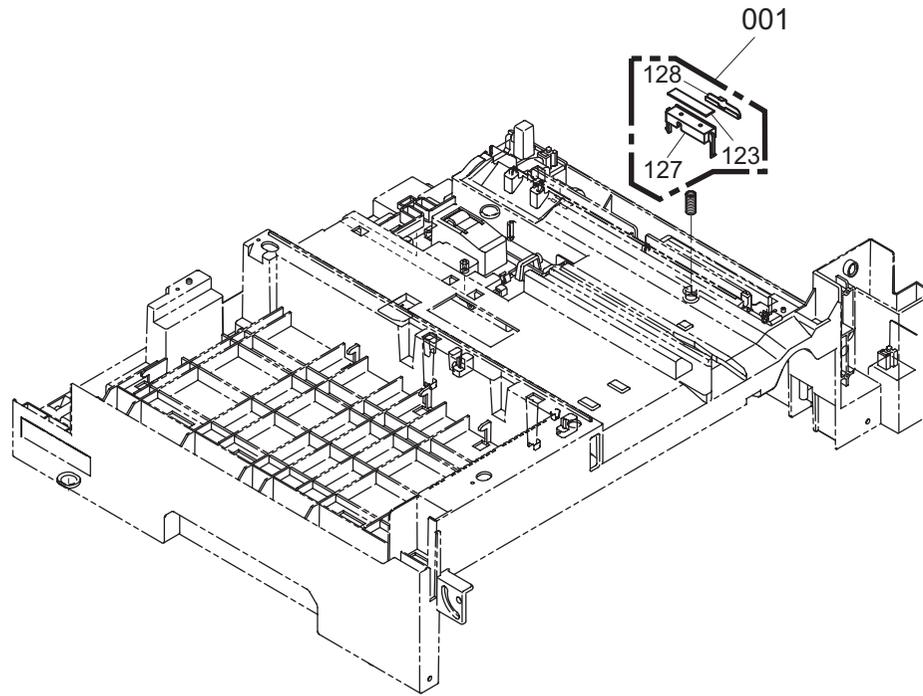


912B-1

DD1-916

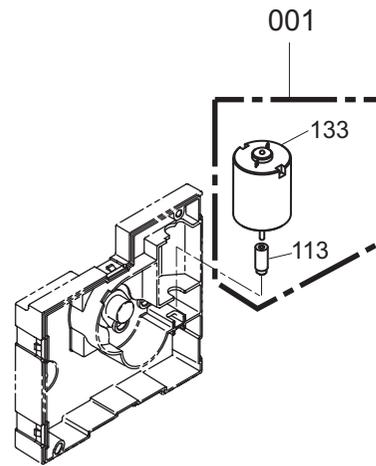


DD1-917

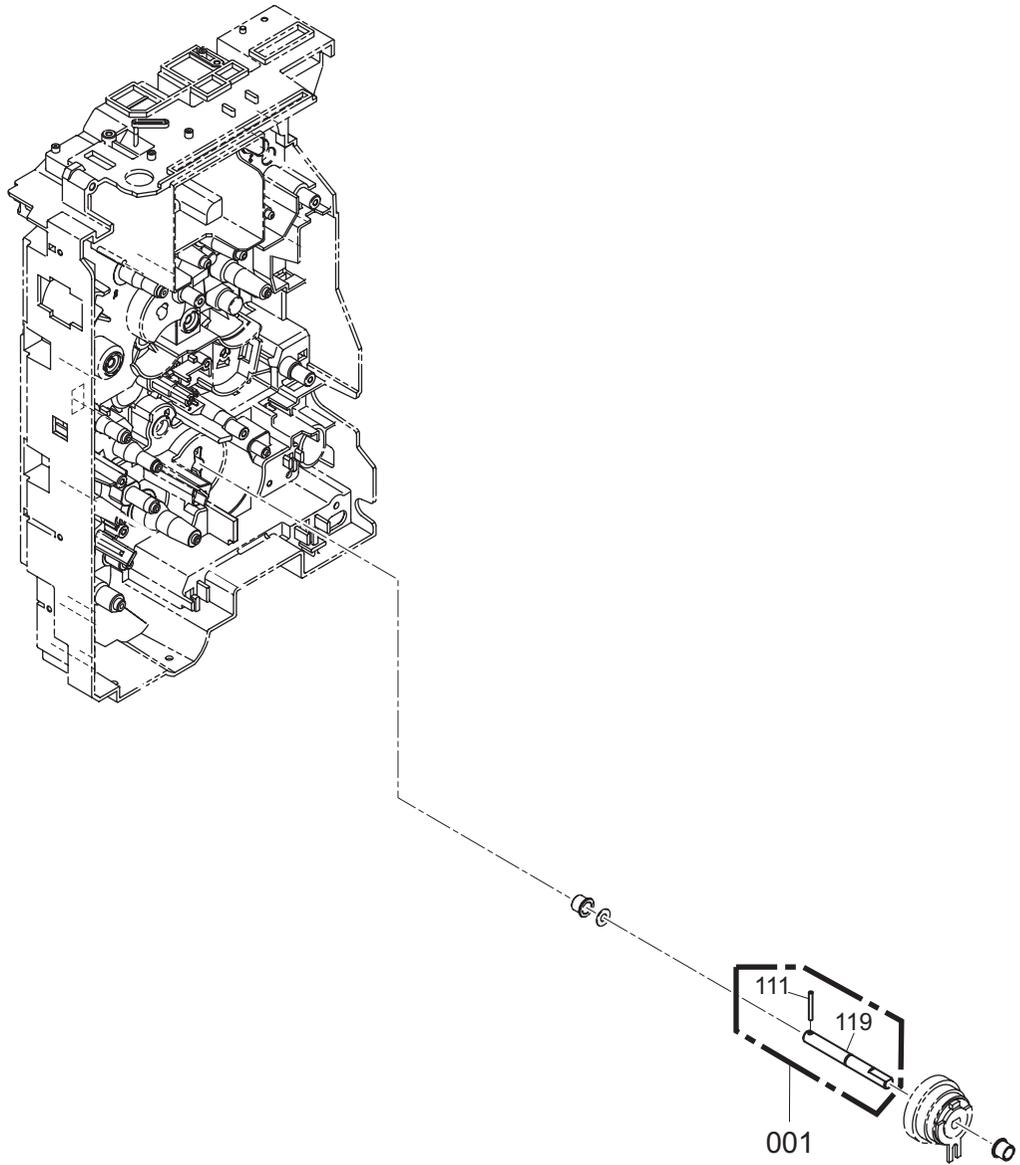


917A

DD1-919

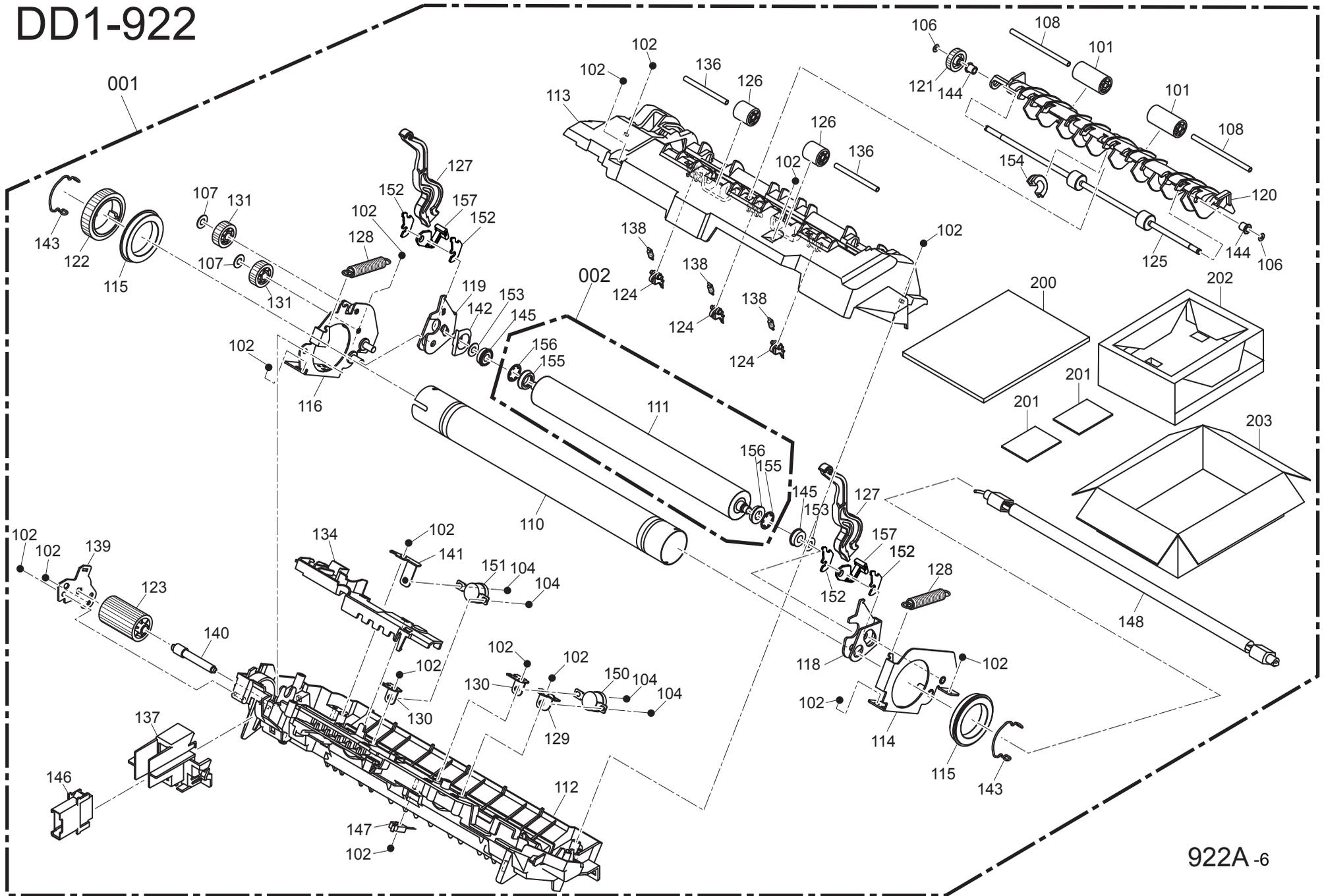


DD1-920

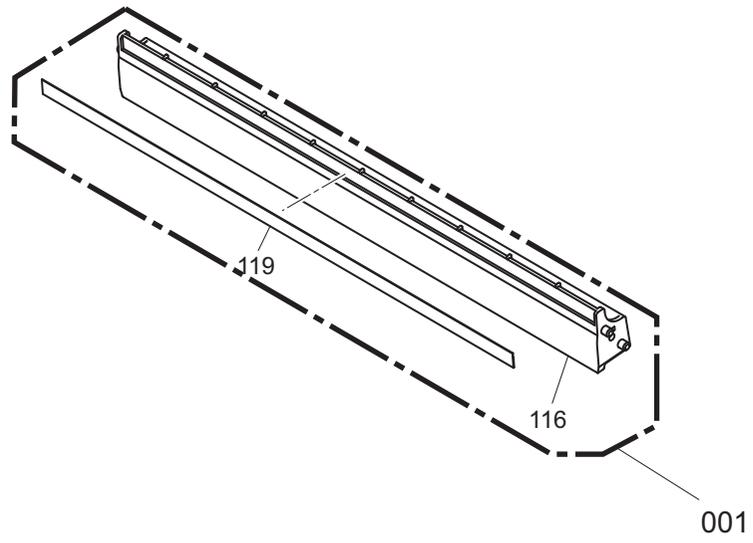


920A

DD1-922

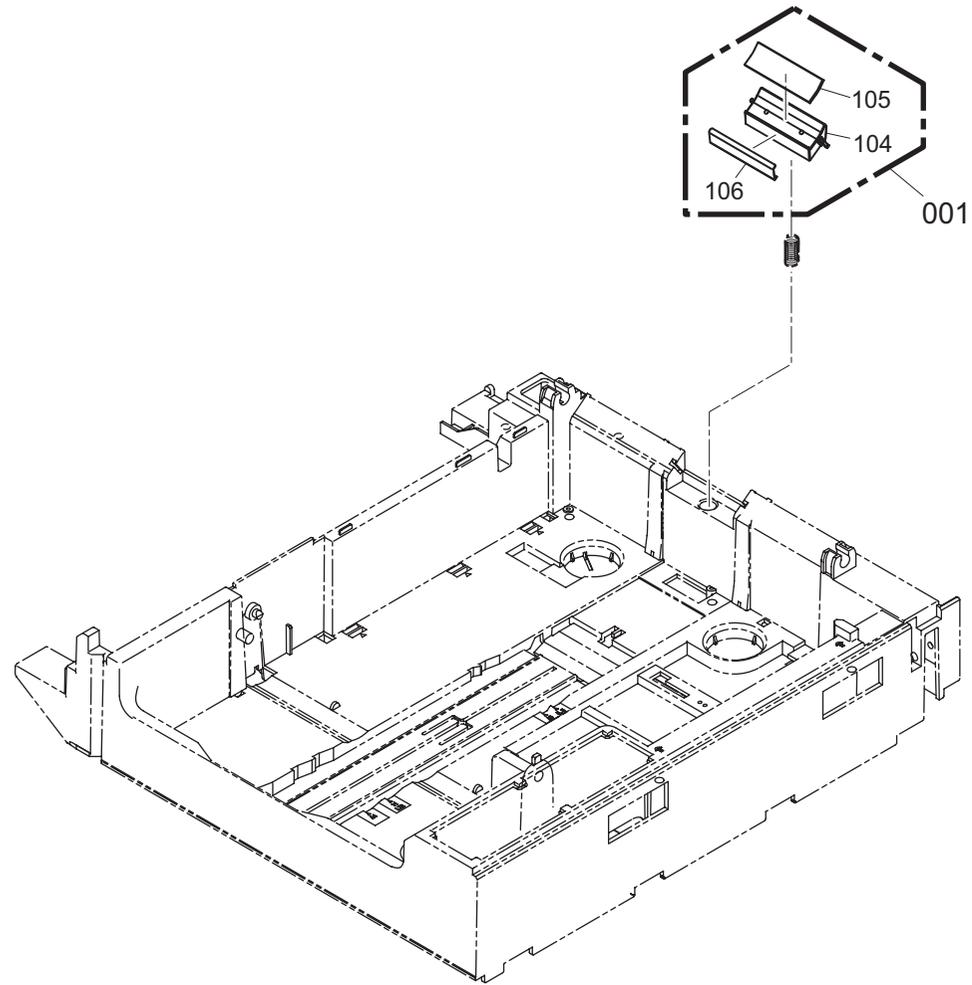


DD1-924



924A

DD1-926



926A

DD1 - 004

NO	PARTS NO	PARTS NAME	QTY	REMARK
004 - 101	D99 - 60020 - 6X	SCREW P-TITE-CUP (3C) 3X8	7	
- 102	D99 - 61700 - 6X	SCREW S-TITE (3C) 3X6 (ROUNDED-END)	2	
- 103	D99 - 62140 - 6X	SCREW B-TITE-CUP (3C) 4X12	4	
- 104	DA1 - 10618 - 6X	TRAY DOCUMENT	1	
- 105	DC1 - 11260 - 6X	SHEET DS2 REFLECTOR	1	
- 106	DD1 - 10330 - 6X	SHAFT PRESS ROLLER	1	
- 107	DD1 - 10340 - 6X	PRESS ROLLER A	2	
- 108	DD1 - 10601 - 6X	COVER PLATEN	1	
- 109	DD1 - 10610 - 6X	SHEET PLATEN	1	
- 110	DD1 - 10621 - 6X	STAY PLATEN	1	
- 111	DD1 - 10630 - 6X	KNOB RELEASE	1	
- 112	DD1 - 10640 - 6X	SPRING C FEED 2	2	
- 113	DD1 - 10760 - 6X	SHEET DOCUMENT PRESS	1	
- 114	DD1 - 10771 - 6X	COVER TX SIDE F	1	
- 115	DD1 - 10781 - 6X	COVER TX SIDE B	1	
- 116	Z90 - 72929 - 0X	HINGE L	1	
- 117	Z90 - 72930 - 0X	HINGE R	1	
- 118	DD1 - 08060 - 5XX	PCB ADF	1	
- 119	DD1 - 08230 - 4XX	ASSY ADF-CABLE	1	
- 120	DD1 - 08260 - 5XX	CABLE-ASSY ADF CLUTCH	1	
- 122	ZA1 - 04375 - 80	MOTOR URADF	1	
- 123	DD1 - 08120 - 5XX	PCB RS	1	
- 124	Z08 - 22364 - 0X	CONNECTOR(CABLE-ASSY ADF CLUTCH)	2	
- 125	ZA1 - 03728 - 00	CABLE BAND	2	

DD1 - 005

NO	PARTS NO	PARTS NAME	QTY	REMARK
005 - 101	D28 - 02120 - 6X	BEARING D6 8	2	
- 102	D67 - 01280 - 6X	BEARING D6	2	
- 103	D99 - 60020 - 6X	SCREW P-TITE-CUP (3C) 3X8	7	
* - 104	D99 - 65030 - 6X	STOPPER DR (3C) 3	2	
- 105	D99 - 65050 - 6X	STOPPER DR (3C) 5	7	
- 106	D99 - 66520 - 6X	PIN PPB 2X10	1	
* - 107	DA7 - 01130 - 6X	SHEET FELT	1	
* - 108	DB5 - 10110 - 5X	ROLLER SEPARATOR	1	
* - 110	DB5 - 10120 - 6X	SHAFT PICKUP	1	
* - 111	DB5 - 10130 - 5X	ROLLER PICKUP	1	
- 112	DD1 - 08910 - 5XX	CABLE-ASSY URADF DRIVE-FG	1	
* - 113	DB5 - 10150 - 6X	HUB SEPARATOR	1	
* - 114	DB5 - 10170 - 6X	GEAR 30 0.5	1	
* - 115	DB5 - 10230 - 6X	GEAR 24 0.5 D	1	
- 116	DC4 - 10563 - 6X	KNOB LOCK	1	
- 117	DC4 - 10590 - 6X	PIECE SHUTTER	2	
- 118	DC4 - 10600 - 6X	SHAFT KNOB LOCK	1	
- 119	DC4 - 10610 - 6X	FEELER DS1	1	
* - 120	DC4 - 10620 - 6X	ARM PICKUP	1	
- 121	DC4 - 10680 - 6X	GEAR 26	1	
* - 122	DC4 - 10690 - 6X	GEAR 19	3	
- 123	DC4 - 10900 - 6X	SPRING C KNOB	2	
* - 124	DC4 - 10920 - 6X	SPRING C PICKUP	1	
- 125	DD1 - 10011 - 6X	COVER TX	1	
- 126	DD1 - 10021 - 6X	GUIDE OUTER A	1	
- 127	DD1 - 10030 - 6X	SPRING P REGIST	2	
- 128	DD1 - 10040 - 6X	HOLDER REGIST SHAFT	1	
- 129	DD1 - 10050 - 6X	SHAFT PRESS ROLLER REGIST	1	
- 130	DD1 - 10060 - 6X	SPRING T FG TX	1	
- 131	DD1 - 10340 - 6X	PRESS ROLLER A	3	

DD1 - 005

NO	PARTS NO	PARTS NAME	QTY	REMARK
*	005 - 132	DC4 - 10650 - 6X	1	SHAFT SEPARATOR
	- 133	DD1 - 0701A - 6X	1	LABEL COVER TX

DD1 - 006

NO	PARTS NO	PARTS NAME	QTY	REMARK
006 - 101	D57 - 03130 - 6X	PINION GEAR	1	
- 102	D99 - 60020 - 6X	SCREW P-TITE-CUP (3C) 3X8	3	
- 103	D99 - 65040 - 6X	STOPPER DR (3C) 4	1	
- 104	D99 - 65050 - 6X	STOPPER DR (3C) 5	2	
* - 105	DA7 - 01570 - 6X	PAD SEPARATOR A	1	
- 106	DA7 - 01640 - 6X	SPONGE PICKUP	1	
* - 107	DB5 - 10600 - 6X	PAD SEPARATOR B	1	
- 108	DC2 - 25710 - 6X	BEARING D6 8	2	
* - 109	DC4 - 10280 - 6X	PIECE SEPARATOR	1	
- 110	DC4 - 10320 - 6X	SPRING C SEPARATOR	1	
- 111	DC4 - 10330 - 6X	PAD PICKUP	1	
* - 112	DC4 - 10340 - 6X	SHEET SEPARATOR	1	
- 113	DC4 - 10820 - 6X	SPRING T DRS	1	
- 114	DC4 - 10890 - 6X	SHEET ROLLER REGIST	3	
- 115	DD1 - 10073 - 6X	GUIDE OUTER B UP	1	
- 116	DD1 - 10083 - 6X	GUIDE DOCUMENT F	1	
- 117	DD1 - 10093 - 6X	GUIDE DOCUMENT B	1	
- 118	DD1 - 10120 - 6X	GUIDE OUTER B LO	1	
- 119	DD1 - 10140 - 6X	FEELER DRS	1	
- 120	DD1 - 10150 - 6X	GUIDE OUTER C	1	
- 121	DD1 - 10160 - 6X	SHEET GUIDE OUTER	1	
- 122	DD1 - 10260 - 6X	ROLLER FEED A	1	
- 123	DD1 - 10340 - 6X	PRESS ROLLER A	2	
- 124	DD1 - 10720 - 6X	SPRING C EXIT	2	
- 125	DD1 - 10810 - 6X	SPRING P PINION	1	
- 126	DD1 - 10830 - 6X	HOLDER SEPARATOR SPRING	1	
- 127	DD1 - 08360 - 5XX	CABEL-ASSY DRS	1	
- 128	Z90 - 72831 - 0X	CLUTCH URADF	1	
- 129	Z08 - 13358 - 0X	PHOTO INTERRUPTER	1	

DD1 - 007

NO	PARTS NO	PARTS NAME	QTY	REMARK
007 - 101	D28 - 02120 - 6X	BEARING D6 8	1	
- 102	D56 - 01800 - 6X	BEARING	1	
- 103	D88 - 03550 - 6X	SPRING C APS	1	
- 104	D99 - 60020 - 6X	SCREW P-TITE-CUP (3C) 3X8	10	
- 105	DC1 - 11260 - 6X	SHEET DS2 REFLECTOR	1	
- 106	DC4 - 10510 - 6X	SPRING C GUIDE INNER D	2	
- 107	DD1 - 10050 - 6X	SHAFT PRESS ROLLER REGIST	1	
- 108	DD1 - 10100 - 6X	STOPPER	2	
- 109	DD1 - 10170 - 6X	GUIDE INNER C UP	1	
- 110	DD1 - 10180 - 6X	GUIDE INNER C LO	1	
- 111	DD1 - 10200 - 6X	SPRING C FEED U	2	
- 112	DD1 - 10210 - 6X	GUIDE SWITCH	1	
- 113	DD1 - 10220 - 6X	SPRING C GUIDE SWITCH	1	
- 114	DD1 - 10230 - 6X	GUIDE INNER	1	
- 115	DD1 - 10340 - 6X	PRESS ROLLER A	6	
- 116	DD1 - 10470 - 6X	GUIDE COVER PL	1	
- 117	DD1 - 1048B - 6X	PLATE BACKGROUND	1	
- 118	DD1 - 10520 - 6X	SHEET INNER A	1	
- 120	DD1 - 10540 - 6X	SHEET INNER C	1	
- 121	DD1 - 10550 - 6X	SHEET INNER D	1	
- 122	DD1 - 10570 - 6X	BRUSH EXIT	1	
- 123	DD1 - 10590 - 6X	GUIDE INNER A	1	
- 124	DD1 - 10650 - 6X	BRACKET APS	1	
- 125	DD1 - 10720 - 6X	SPRING C EXIT	4	
- 126	DD1 - 1080B - 6X	FEELER APS	1	
- 127	DD1 - 10820 - 6X	COVER STAMP	1	
- 128	DD1 - 08250 - 5XX	CABLE-ASSY ADF SLND	1	
- 129	DD1 - 08510 - 5XX	CABLE-ASSY STAMPER	1	
- 130	Z08 - 13358 - 0X	PHOTO INTERRUPTER	1	
- 131	DD1 - 10890 - 6X	SPONGE BACKGROUND	2	

DD1 - 007

NO	PARTS NO	PARTS NAME	QTY	REMARK
007 - 132	DD1 - 10900 - 6X	STAY GUIDE INNER	1	

DD1 - 008

NO	PARTS NO	PARTS NAME	QTY	REMARK
008 - 101	D56 - 01800 - 6X	BEARING	10	
- 102	D67 - 01280 - 6X	BEARING D6	1	
- 103	D99 - 01470 - 6X	STOPPER RING 4	2	
- 104	D99 - 60020 - 6X	SCREW P-TITE-CUP (3C) 3X8	5	
- 105	D99 - 61010 - 6X	SCREW S-TITE-CUP (3C) 3X6	3	
- 106	D99 - 65030 - 6X	STOPPER DR (3C) 3	5	
- 107	D99 - 65040 - 6X	STOPPER DR (3C) 4	6	
- 108	D99 - 66530 - 6X	PIN PPB 2X12	1	
- 109	DD1 - 10240 - 6X	BRACKET MOTOR	1	
- 110	DD1 - 10270 - 6X	ROLLER FEED B	1	
- 111	DD1 - 10280 - 6X	ROLLER FEED C	1	
- 112	DD1 - 10290 - 6X	ROLLER FEED D	1	
- 113	DD1 - 10300 - 6X	ROLLER FEED E	1	
- 114	DD1 - 10310 - 6X	SHAFT DRIVE FRONT	1	
- 115	DD1 - 10320 - 6X	SHAFT CLUTCH	1	
- 116	DD1 - 10350 - 6X	GEAR 70 0.5 A	1	
- 117	DD1 - 10360 - 6X	GEAR 70 0.5 B	2	
- 118	DD1 - 10370 - 6X	GEAR 35 0.5 A	1	
- 119	DD1 - 10390 - 6X	GEAR 31 0.5 A	1	
- 120	DD1 - 10400 - 6X	GEAR 31 0.5 B	2	
- 121	DD1 - 10410 - 6X	GEAR 31 0.5 C	1	
- 122	DD1 - 10430 - 6X	GEAR 96/48 0.5	1	
- 123	DD1 - 10440 - 6X	GEAR 43 0.5	1	
- 124	DD1 - 10450 - 6X	GEAR 70 0.5 ONEWAY	1	
- 125	DD1 - 10460 - 6X	GEAR 17 0.8	1	
- 126	DD1 - 10790 - 6X	GUIDE HARNESS	1	
- 127	Z90 - 72831 - 0X	CLUTCH URADF	1	
- 128	Z08 - 13358 - 0X	PHOTO INTERRUPTER	2	
- 129	DD1 - 08970 - 5XX	CBL-ASSY STAPLER-FG	1	

DD1 - 009

NO	PARTS NO	PARTS NAME	QTY	REMARK
009 - 101	D99 - 60020 - 6X	SCREW P-TITE-CUP (3C) 3X8	3	
- 102	D99 - 63010 - 6X	SCREW PHR (3C) 3X6	2	
* - 103	D99 - 66030 - 6X	PIN PK 2X12	1	
* - 104	D99 - 66140 - 6X	PIN PK 3X16	1	
- 105	DD1 - 10250 - 6X	PLATE FG FRONT	1	
- 106	DD1 - 10380 - 6X	GEAR 54 0.5	1	
- 107	DD1 - 10440 - 6X	GEAR 43 0.5	1	
- 108	DD1 - 10490 - 6X	BRACKET GEAR REVERSE	1	
- 109	DD1 - 10500 - 6X	BRACKET SOLENOID A	1	
- 110	DD1 - 10510 - 6X	SPRING C REVERSE BRACKET	1	
* - 111	Z90 - 72828 - 0X	SOLENOID ROLLER	1	
* - 112	Z90 - 72830 - 0X	SOLENOID GUIDE	1	

DD1 - 010

NO	PARTS NO	PARTS NAME	QTY	REMARK
010 - 101	D99 - 60020 - 6X	SCREW P-TITE-CUP (3C) 3X8	5	
- 102	DD1 - 10860 - 6X	SPRING C KNOB	1	
- 103	DB5 - 10330 - 6X	TAPE PLATEN B	2	
- 104	DC4 - 10820 - 6X	SPRING T DRS	1	
- 105	DD1 - 10340 - 6X	PRESS ROLLER A	3	
- 106	DD1 - 10660 - 6X	GUIDE OUTER D	1	
- 107	DD1 - 1067G - 6X	KNOB LOCK	1	
- 108	DD1 - 10680 - 6X	SHAFT LOCK	1	
- 109	DD1 - 10690 - 6X	BRACKET DS3	1	
- 110	DD1 - 10700 - 6X	FEELER DEXIT	1	
- 111	DD1 - 10710 - 6X	SPRING P FEED 3	1	
- 112	DD1 - 10720 - 6X	SPRING C EXIT	2	
- 113	DD1 - 10730 - 6X	BRACKET PRESS SHEET	2	
- 114	DD1 - 10750 - 6X	SHEET GUIDE OUTER D	1	
- 115	DD1 - 10850 - 6X	SHAFT PRESS ROLLER B	1	
- 116	DD1 - 08120 - 5XX	PCB RS	1	
- 117	Z08 - 13358 - 0X	PHOTO INTERRUPTER	1	
- 118	DD1 - 08240 - 5XX	CABLE-ASSY ADF SENSOR	1	

DD1 - 011

NO	PARTS NO	PARTS NAME	QTY	REMARK
011 - 101	D99 - 60020 - 6X	SCREW P-TITE-CUP (3C) 3X8	17	
- 102	D99 - 61020 - 6X	SCREW S-TITE-CUP (3C) 3X8	2	
- 104	DC1 - 0311K - 5X	KEY TEN	1	
- 105	DC1 - 03124 - 6X	KEY START A	1	
- 106	DC1 - 0313W - 6X	KEY START B	1	
- 107	DC1 - 0314V - 6X	KEY STOP	1	
- 108	DC1 - 0317W - 6X	KEY MODE C	1	
- 109	DC1 - 0318T - 6X	KEY MODE D	1	
- 115	DD1 - 0302B - 6X	CHASSIS PANEL LOWER	1	
- 116	DD1 - 03050 - 6X	COVER PCB PANEL	1	
- 117	DD1 - 03060 - 6X	STAY PANEL	1	
- 119	DD1 - 0313B - 6X	KEY MODE A	1	
- 120	DD1 - 0314B - 6X	KEY MODE B	1	
- 122	DD1 - 0301B - 6X	COVER PANEL	1	
- 131	D99 - 60520 - 6X	SCREW P-TITE (3C) 3X8	2	
- 132	DD1 - 0336B - 6X	COVER PANEL	1	
- 133	DD1 - 03100 - 6X	BRACKET LCD MID	1	
- 134	DD1 - 0311W - 6X	COVER LED	1	
- 135	DD1 - 03123 - 6X	KNOB VOLUME	1	
- 136	DD1 - 03340 - 6X	SPRING T FG LCD MID	1	
- 140	DD1 - 08700 - 4XX	CABLE-ASSY SPEAKER	1	
- 141	DD1 - 09032 - 5XX	PCB PANEL	1	
- 144	ZA1 - 04581 - 00	DISPLAY LCD	1	
- 148	DD1 - 08820 - 5XX	CABLE-ASSY PANEL	1	
- 154	Z90 - 74115 - 0X	CABLE-ASSY USB CABLE	1	
- 155	ZA1 - 04499 - 40	GASKET	1	
- 157	DD1 - 03080 - 6X	HOLDER SPEAKER	1	
- 158	ZA1 - 00921 - 00	CORE	1	
- 159	ZA1 - 03728 - 00	CABLE BAND	1	
- 160	DD1 - 03350 - 6X	STAY PANEL R	1	

DD1 - 012

NO	PARTS NO	PARTS NAME	QTY	REMARK
* 012 - 101	DA7 - 05220 - 6X	PANE	1	
* - 102	D88 - 05480 - 6X	SHEET BACKGROUND SEAL	1	
- 103	D99 - 60020 - 6X	SCREW P-TITE-CUP (3C) 3X8	3	
* - 104	DD1 - 05030 - 6X	GLASS CONTACT	1	
* - 105	DD1 - 0502B - 6X	COVER TOP FBS	1	
* - 107	DD1 - 05320 - 6X	SPRING C FG GLASS CONTACT	1	
* - 108	DD1 - 05330 - 6X	SHEET FG GLASS CONTACT	1	

DD1 - 013

NO	PARTS NO	PARTS NAME	QTY	REMARK
013 - 101	D88 - 05390 - 6X	SHEET SLIDER	1	
- 102	D99 - 01500 - 6X	STOPPER RING 7	1	
- 103	D99 - 60020 - 6X	SCREW P-TITE-CUP (3C) 3X8	5	
- 104	D99 - 60130 - 6X	SCREW P-TITE-CUP (3C) 4X10	1	
- 105	D99 - 61010 - 6X	SCREW S-TITE-CUP (3C) 3X6	3	
- 106	D99 - 61020 - 6X	SCREW S-TITE-CUP (3C) 3X8	3	
- 107	D99 - 61120 - 6X	SCREW S-TITE-CUP (3C) 4X8	4	
- 108	DC4 - 25790 - 6X	WEIGHT PAPER B	1	
- 109	DD1 - 0501B - 6X	CHASSIS FBS	1	
- 110	DD1 - 05040 - 6X	HOLDER CIS	1	
- 111	DD1 - 05050 - 6X	SPACER CIS	2	
- 112	DD1 - 05060 - 6X	GUIDE BAR	1	
- 113	DD1 - 05070 - 6X	SPRING C CIS	2	
- 114	DD1 - 05080 - 5X	BRACKET MOTOR	1	
- 117	DD1 - 08900 - 5XX	CABLE-ASSY FBS MOTOR-FG	1	
- 118	DD1 - 05110 - 6X	GEAR 81/27P	1	
- 119	DD1 - 05120 - 6X	GEAR 39/43	1	
- 120	DD1 - 05130 - 6X	SPRING C TENSION	1	
- 121	DD1 - 05140 - 6X	PULLEY 27	3	
- 122	DD1 - 05150 - 6X	FLANGE PULLEY	4	
- 123	DD1 - 05170 - 6X	STAY FRONT	1	
- 124	DD1 - 05180 - 6X	PLATE FBS BOTTOM	1	
- 125	Z08 - 20874 - 0X	BLT(TMG) 30S2M1224 GB 612T 3W	1	
- 126	ZA1 - 04374 - 60	FBS MOTOR	1	
- 127	Z08 - 13358 - 0X	PHOTO INTERRUPTER	1	
- 128	Z90 - 72843 - 0X	CIS	1	
- 129	ZA1 - 02808 - 30	CORE	2	
- 130	ZA1 - 04501 - A0	FFC CIS	1	
- 133	DD1 - 37670 - 6X	GUIDE RIB FBS	1	
- 134	DD1 - 05210 - 6X	SPACER SENSOR	1	

DD1 - 014

NO	PARTS NO	PARTS NAME	QTY	REMARK
014 - 101	D99 - 60020 - 6X	SCREW P-TITE-CUP (3C) 3X8	10	
- 102	D99 - 61010 - 6X	SCREW S-TITE-CUP (3C) 3X6	10	
- 103	D99 - 61030 - 6X	SCREW S-TITE-CUP (3C) 3X10	1	
- 104	DB2 - 03100 - 6X	PLATE PRINTER B	1	
- 105	DB5 - 03130 - 6X	COVER BACK WINDOW	1	
- 107	DC2 - 36590 - 6X	PLATE COVER F	2	
- 108	DD1 - 36153 - 6X	COVER TRAY	1	
- 109	DD1 - 36161 - 6X	COVER FRONT	1	
- 110	DD1 - 36171 - 6X	COVER LEFT	1	
- 111	DD1 - 36181 - 6X	COVER RIGHT	1	
- 112	DD1 - 36190 - 6X	COVER BACK	1	
- 113	DD1 - 36263 - 6X	COVER TRAY WINDOW	1	
- 114	DD1 - 36270 - 6X	FILTER OZONE 60	1	
- 115	DD1 - 36551 - 6X	COVER L B	1	
- 116	DD1 - 36610 - 6X	SPONGE FAN	2	
- 121	D99 - 61020 - 6X	SCREW S-TITE-CUP (3C) 3X8	1	
- 122	D99 - 0748A - 6X	LABEL USB DIRECTIONS D	1	
- 123	DD1 - 07100 - 6X	SHEET COVER FRONT	1	
- 125	D99 - 0151A - 6X	LABEL LOGO ENERGY STAR B	1	
- 127	D13 - 03200 - 6X	COVER MODULAR	1	
- 129	DD1 - 07180 - 5X	LABEL LOGO	1	
- 130	ZA1 - 03728 - 00	CABLE BAND	1	
- 131	DD1 - 07190 - 6X	LABEL NAME	1	
* - 132	DD1 - 07210 - 6X	LABEL ID	1	
- 134	ZA1 - 01037 - 60	CORE	1	
- 135	DD1 - 36680 - 6X	SPONGE SEAL DUCT A	1	
- 136	DD1 - 36690 - 6X	SPONGE SEAL DUCT B	1	
- 137	DD1 - 36700 - 6X	SPONGE SEAL DUCT C	1	
- 138	DD1 - 36710 - 6X	SPONGE SEAL DUCT D	1	
* - 140	D99 - 07560 - 6X	LABEL ADDRESS PRODSG	1	

DD1 - 015

NO	PARTS NO	PARTS NAME	Q'TY	REMARK
015 - 101	D99 - 61010 - 6X	SCREW S-TITE-CUP (3C) 3X6	2	
- 102	DD1 - 08210 - 4XX	ASSY LVPS-CABLE	1	
- 103	DD1 - Y9101 - 4XX	PCB PSU	1	
- 104	ZA1 - 01037 - 60	CORE	1	

DD1 - 016

NO	PARTS NO	PARTS NAME	QTY	REMARK
016 - 101	D99 - 60020 - 6X	SCREW P-TITE-CUP (3C) 3X8	5	
- 102	D99 - 61010 - 6X	SCREW S-TITE-CUP (3C) 3X6	16	
- 103	DB2 - 44750 - 6X	SHEET DISCHARGE CST	1	
- 104	DD1 - 36240 - 6X	FRAME PCB	1	
- 105	Z06 - 71234 - 5X	SPACER KGLS8S	1	
- 106	Z07 - 70368 - 0X	CBL-CLAMP LWSM-0605	5	
- 107	Z07 - 70369 - 0X	CBL-CLAMP LWSM-0511	4	
- 108	DD1 - 08220 - 5XX	CABLE-ASSY NCU	1	
- 109	DD1 - 08270 - 5XX	CABLE-ASSY HS	1	
- 110	DD1 - 08280 - 4XX	ASSY PRT-CABLE	1	
- 111	DD1 - 08340 - 4XX	ASSY FAN-CABLE	1	
- 112	DD1 - 08470 - 5XX	CABLE-ASSY HV(CHG)	1	
- 113	DD1 - 08480 - 5XX	CABLE-ASSY HV(GRD)	1	
- 114	DD1 - 08490 - 5XX	CABLE-ASSY HV(DEV/SPL)	1	
- 115	DD1 - 08500 - 5XX	CABLE-ASSY HV(TRS)	1	
- 116	DD1 - 08800 - 5XX	CABLE-ASSY HVPS	1	
* - 117	DD1 - 09011 - 5XX	PCB MAIN	1	
- 118	DD1 - 09021 - 5XX	PCB NCU	1	
- 119	Z90 - 72647 - 0X	PCB HV	1	
* - 120	ZA1 - 04392 - 80	SD MEMORY CARD	1	
- 121	ZA1 - 00921 - 00	CORE	2	
- 122	ZA1 - 01037 - 60	CORE	1	
- 123	Z07 - 46291 - 0X	CONNECTOR(ASSY FAN-CABLE)	1	
- 124	Z07 - 05563 - 8X	CONNECTOR(ASSY FAN-CABLE)	1	
- 126	DD1 - 08290 - 4XX	ASSY PRINT SENSOR1-CABLE	1	
- 127	Z07 - 46290 - 0X	CN BU04P-TR-P-H(LF)(SN) 4P GRY	1	
- 128	DD1 - 08530 - 5XX	CBL-ASSY PRT OPTION	1	
- 129	DD1 - 08330 - 5XX	CBL-ASSY INTERLOCK	1	
* - 130	DD1 - SF002 - 6X	SOFTWARE(SD)	1	
- 131	DC2 - 36970 - 6X	SPRING P FG MAIN	1	

DD1 - 016

NO	PARTS NO	PARTS NAME	Q'TY	REMARK
*	016 - 133	DD1 - SF022 - 6X	SOFTWARE(BOOT)	1

DD1 - 017

NO	PARTS NO	PARTS NAME	QTY	REMARK
017 - 101	D28 - 02120 - 6X	BEARING D6 8	2	
- 102	D48 - 00100 - 6X	FOOT	2	
- 103	D71 - 05480 - 6X	MAGNET	1	
- 104	D99 - 01470 - 6X	STOPPER RING 4	3	
- 105	D99 - 01480 - 6X	STOPPER RING 5	4	
- 106	D99 - 60020 - 6X	SCREW P-TITE-CUP (3C) 3X8	13	
- 107	D99 - 60520 - 6X	SCREW P-TITE (3C) 3X8	1	
- 108	D99 - 66520 - 6X	PIN PPB 2X10	3	
- 109	D99 - 66530 - 6X	PIN PPB 2X12	1	
- 110	DA7 - 36250 - 6X	SCREW CLEANER	1	
- 111	DA7 - 36260 - 6X	SPONGE CLEANER REGISTER	1	
- 113	DA7 - 36760 - 6X	SPRING C IL PIN	1	
- 114	DA7 - 37120 - 6X	GUIDE PRESS F	1	
- 115	DA7 - 37170 - 6X	PRESS ROLLER REGISTER	3	
- 116	DA7 - 37190 - 6X	GEAR 15H 0.8	1	
- 117	DA7 - 37250 - 6X	FEELER PAPER CST	1	
- 118	DB2 - 44450 - 6X	ROLLER CST L	1	
- 119	DC2 - 35630 - 5X	ROLLER PICKUP MP	1	
- 120	DD1 - 08370 - 4XX	ASSY INTERLOCKSW-CBL	1	
- 121	DC2 - 35670 - 6X	SPRING C PRESSURE MP	1	
- 122	DC2 - 36260 - 6X	SPRING C KNOB TOS	1	
* - 123	DC2 - 35660 - 6X	PAD PRESSURE MP	1	
- 124	DD1 - 35610 - 6X	SHAFT PICKUP MP	1	
- 125	DD1 - 35620 - 6X	FEELER MP	1	
- 126	DD1 - 35630 - 6X	SPRING T FEELER MP	1	
* - 127	DC2 - 35650 - 6X	PIECE PRESSURE MP	1	
* - 128	DD1 - 35660 - 6X	SHEET PRESSURE MP	1	
- 129	DD1 - 36011 - 6X	CHASSIS MAIN	1	
- 130	DD1 - 3602B - 6X	HOLDER CST	1	
- 131	DD1 - 36030 - 6X	CHASSIS PILLAR	1	

DD1 - 017

NO	PARTS NO	PARTS NAME	QTY	REMARK
017 - 132	DD1 - 36050 - 6X	PIECE PIVOT JAC	2	
- 133	DD1 - 36060 - 6X	GEAR 13H 0.8	1	
- 134	DD1 - 36080 - 6X	LINK TOS	1	
- 135	DD1 - 36220 - 6X	PLATE NUT	1	
- 136	DD1 - 36230 - 6X	STOPPER DRUM	1	
- 137	DD1 - 36370 - 6X	SHEET DUST	1	
- 138	DD1 - 36470 - 6X	SPRING C STOPPER DRUM	1	
- 139	DD1 - 36500 - 6X	HOLDER MAGNET	1	
- 140	DD1 - 36560 - 6X	ARM IL	1	
- 141	DD1 - 36570 - 6X	PIN IL	1	
- 142	DD1 - 36580 - 6X	BRACKET TOS TC	1	
- 143	DD1 - 37190 - 6X	GUIDE DUP MP	1	
- 144	DD1 - 37230 - 6X	SHEET HOLDER CST	1	
- 145	DD1 - 37240 - 6X	FEELER PRS	1	
- 146	DD1 - 37250 - 6X	SPRING T PRS	1	
- 147	DD1 - 37260 - 6X	BRACKET SENSOR	1	
- 148	DD1 - 37280 - 6X	SHAFT REGIST	1	
- 149	DD1 - 08380 - 5XX	CABLE-ASSY PRT SNSR3	1	
- 150	Z90 - 58375 - 0X	SENSOR(TEMP)	1	
- 151	DD1 - 08110 - 5XX	PCB TOS	1	
- 152	Z08 - 13358 - 0X	PHOTO INTERRUPTER	4	
- 153	DA7 - 36270 - 6X	SHEET SCREW CLEANER	1	
- 154	DD1 - 37220 - 6X	SHEET CHASSIS GUIDE	1	
- 155	DD1 - 36620 - 6X	SHEET CHASSIS MAIN	1	
- 156	DD1 - 36720 - 6X	SPRING P TOS TC	1	
- 157	DD1 - 36480 - 6X	SHEET MP	2	

DD1 - 018

NO	PARTS NO	PARTS NAME	QTY	REMARK
018 - 101	D71 - 05480 - 6X	MAGNET	1	
- 102	D99 - 60020 - 6X	SCREW P-TITE-CUP (3C) 3X8	13	
- 103	D99 - 61010 - 6X	SCREW S-TITE-CUP (3C) 3X6	1	
- 104	DA7 - 37490 - 6X	BRACKET PCB LED	1	
- 105	DC2 - 36370 - 6X	SPRING C LED	2	
- 106	DD1 - 25810 - 6X	COVER STAPLER	1	
- 107	DD1 - 36040 - 6X	DUCT MAIN	1	
- 108	DD1 - 36280 - 6X	STAY LPH	1	
- 109	DD1 - 36290 - 6X	HOLDER LPH A	1	
- 110	DD1 - 36300 - 6X	HOLDER LPH B	1	
- 111	DD1 - 36310 - 6X	SPRING C HOLDER	2	
- 112	DD1 - 36320 - 6X	SPRING C FG LPH	3	
- 113	DD1 - 36330 - 6X	KNOB LPH	1	
- 114	DD1 - 36340 - 6X	SPRING C KNOB LPH	1	
- 115	DD1 - 36350 - 6X	SHEET ERS PCB	1	
- 116	DD1 - 36360 - 6X	BRACKET CONNECTOR	1	
- 117	DD1 - 36450 - 6X	FRAME LPH	2	
- 118	DD1 - 36460 - 6X	SPRING P FG LPH	1	
- 119	DD1 - 36500 - 6X	HOLDER MAGNET	1	
- 120	DD1 - 36590 - 6X	STOPPER WT	1	
- 121	DD1 - 36600 - 6X	SPRING T STOPPER WT	1	
- 122	Z07 - 08099 - 3X	CBL-BAND SG110 110MM 94V2 WHI 3.3W	2	
- 132	Z07 - 70368 - 0X	CBL-CLAMP LWSM-0605	1	
- 133	DD1 - 08140 - 5XX	PCB ERS LAMP	1	
- 134	DD1 - 08430 - 4XX	ASSY HEATER(PSU)-CABLE	1	
- 138	DD1 - 08810 - 5XX	CABLE-ASSY ERS	1	
- 141	Z90 - 72649 - 0X	PRINTER-HEAD	1	
- 142	ZA1 - 02364 - 40	FAN L	1	
- 144	ZA1 - 04383 - 70	FFC LPH	1	
- 145	ZA1 - 03631 - 60	CORE	2	

DD1 - 018

NO	PARTS NO	PARTS NAME	QTY	REMARK
018 - 147	DD1 - 36660 - 6X	SHEET DUCT A	1	
- 148	DD1 - 36670 - 6X	SHEET DUCT B	1	

DD1 - 019

NO	PARTS NO	PARTS NAME	QTY	REMARK
019 - 101	D99 - 60020 - 6X	SCREW P-TITE-CUP (3C) 3X8	5	
- 102	D99 - 60520 - 6X	SCREW P-TITE (3C) 3X8	1	
- 103	D99 - 61020 - 6X	SCREW S-TITE-CUP (3C) 3X8	2	
- 104	DA7 - 34280 - 6X	SPRING C COUPLING	1	
- 105	DA7 - 34350 - 6X	COUPLING	1	
- 106	DD1 - 34010 - 6X	CHASSIS DRIVE	1	
- 107	DD1 - 34190 - 6X	GEAR 21 0.8	1	
- 108	DD1 - 34260 - 6X	GEAR 39H 0.6 COUPLING WT	1	
- 109	DD1 - 34270 - 6X	GEAR 41 0.8 COUPLING DEV	1	
- 110	DD1 - 34300 - 6X	SPRING C COUPLING WT	1	
- 111	DD1 - 34310 - 6X	CASE TC A	1	
- 112	DD1 - 34320 - 6X	CASE TC B	1	
* - 113	DD1 - 34330 - 6X	GEAR WORM TC	1	
- 114	DD1 - 34340 - 6X	GEAR 17W/11 0.5/0.6	1	
- 115	DD1 - 34350 - 6X	GEAR 41/13 0.6/0.6	1	
- 116	DD1 - 34360 - 6X	GEAR 56 0.6	1	
- 117	DD1 - 34370 - 6X	COUPLING TC	1	
- 118	DD1 - 34380 - 6X	SPRING C TC	1	
- 119	DD1 - 36110 - 6X	FRAME DRUM BIAS	1	
- 120	DD1 - 36120 - 6X	SPRING C CHG	2	
- 121	DD1 - 36140 - 6X	SPRING C FG	1	
- 122	DD1 - 36220 - 6X	PLATE NUT	1	
- 123	DD1 - 36380 - 6X	HOLDER SENSOR DEV	1	
- 124	DD1 - 36410 - 6X	SPRING C CHIP	6	
- 125	DD1 - 36420 - 6X	HOLDER CHIP	2	
- 126	DD1 - 36440 - 6X	SPRING C SENSOR DEV	1	
- 127	DD1 - 37140 - 6X	GUIDE ROLLER REGIST B	1	
- 128	DD1 - 08110 - 5XX	PCB TOS	1	
- 129	DD1 - 08090 - 5XX	PCB TAG	2	
- 130	DD1 - 08350 - 5XX	CABLE-ASSY TAG	1	

DD1 - 019

NO	PARTS NO	PARTS NAME	Q'TY	REMARK
019 - 131	DD1 - 08460 - 4XX	ASSY TP MOTOR BOX2	1	
- 132	DD1 - 08760 - 5XX	CABLE-ASSY PSS	1	
* - 133	Z90 - 72857 - 0X	MOTOR TONER	1	
- 134	Z08 - 13358 - 0X	PHOTO INTERRUPTER	1	
- 135	DD1 - 08450 - 4XX	ASSY TP MOTOR BOX1	1	
- 136	ZA1 - 03728 - 00	CABLE BAND	1	

DD1 - 020

NO	PARTS NO	PARTS NAME	QTY	REMARK
020 - 101	D28 - 02120 - 6X	BEARING D6 8	1	
- 102	D53 - 42260 - 6X	BEARING C	1	
- 103	D61 - 01220 - 6X	BEARING D4 6	1	
- 104	D99 - 01460 - 6X	STOPPER RING 3	1	
- 105	D99 - 01470 - 6X	STOPPER RING 4	1	
- 106	D99 - 60020 - 6X	SCREW P-TITE-CUP (3C) 3X8	15	
- 107	D99 - 60080 - 6X	SCREW P-TITE-CUP (3C) 3X30	2	
- 108	D99 - 61010 - 6X	SCREW S-TITE-CUP (3C) 3X6	8	
- 109	D99 - 63040 - 6X	SCREW PHR (3C) 3X6	5	
- 110	D99 - 65050 - 6X	STOPPER DR (3C) 5	1	
* - 111	D99 - 66040 - 6X	PIN PK 2X16	1	
- 112	D99 - 66520 - 6X	PIN PPB 2X10	1	
- 113	DB2 - 41430 - 6X	GEAR 32 0.8	2	
- 114	DC2 - 25710 - 6X	BEARING D6 8	2	
- 115	DD1 - 34020 - 5X	FRAME DRIVE A	1	
- 117	DD1 - 34030 - 6X	FRAME DRIVE B	1	
* - 119	DD1 - 34050 - 6X	SHAFT CASSETTE	1	
- 120	DD1 - 34060 - 6X	SHAFT EXIT	1	
- 121	DD1 - 34070 - 6X	SHAFT DRUM	1	
- 122	DD1 - 34080 - 6X	GEAR 85H/31 0.5/1.0	1	
- 123	DD1 - 34090 - 6X	GEAR 71H 0.5	1	
- 124	DD1 - 34100 - 6X	GEAR 28 1.0	1	
- 125	DD1 - 34110 - 6X	GEAR 24 1.0	1	
- 126	DD1 - 34120 - 6X	GEAR 24/37 1.0/0.8	1	
- 127	DD1 - 34130 - 6X	GEAR 29 0.8	1	
- 128	DD1 - 34140 - 6X	GEAR 29/23 0.8/0.8	1	
- 129	DD1 - 34150 - 6X	GEAR 70H/49 0.5/0.8	1	
- 130	DD1 - 34160 - 6X	GEAR 39/21 0.8/0.8	1	
- 131	DD1 - 34170 - 6X	GEAR 37 0.8	1	
- 132	DD1 - 34180 - 6X	GEAR 39/25 0.8/0.8	1	

DD1 - 020

NO	PARTS NO	PARTS NAME	QTY	REMARK
020 - 133	DD1 - 34200 - 6X	GEAR 31 0.8	1	
- 134	DD1 - 34210 - 6X	GEAR 39/37 0.8/0.8	1	
- 135	DD1 - 34220 - 6X	GEAR 25/16 0.8/1.5	1	
- 136	DD1 - 34230 - 6X	GEAR 71H/33H 0.5/0.6	1	
- 137	DD1 - 34240 - 6X	GEAR 67H/23 0.6/0.8	1	
- 138	DD1 - 34250 - 6X	GEAR 40/25 0.8/0.8	1	
- 139	DD1 - 34280 - 6X	COUPLING DRUM	1	
- 140	DD1 - 34290 - 6X	SPRING C DRUM	1	
- 141	DD1 - 34390 - 6X	GEAR 46H 0.6	1	
- 143	DD1 - 08310 - 4XX	ASSY PRT CLTCH-CBL	1	
- 144	DD1 - 36090 - 6X	PLATE TRANSFER	1	
- 145	DD1 - 36100 - 6X	PLATE DEV	2	
- 146	DD1 - 36130 - 6X	SPRING C DRIVE	1	
- 147	DD1 - 36390 - 6X	PLATE FG REGIST	1	
- 148	DD1 - 36400 - 6X	PLATE FG DRIVE	1	
- 149	DD1 - 36430 - 6X	SPRING C FUSER FG	1	
- 150	DD1 - 36530 - 6X	SPRING C EXIT FG	1	
- 151	DD1 - 36540 - 6X	SPRING C DEV	2	
- 152	DD1 - 37550 - 6X	BEARING D4 6	4	
- 153	Z07 - 08099 - 3X	CBL-BAND SG110 110MM 94V2 WHI 3.3W	7	
- 154	Z07 - 70368 - 0X	CBL-CLAMP LWSM-0605	3	
- 155	Z07 - 70369 - 0X	CBL-CLAMP LWSM-0511	3	
- 156	DD1 - 08320 - 5XX	CBL-ASSY PRT MOTOR	1	
- 158	DD1 - 08710 - 4XX	ASSY RES CLUTCH-CBL	1	
- 162	ZA1 - 04619 - 00	PRT MOTOR	2	
- 163	Z90 - 72920 - 0X	CLUTCH PRTR	3	
- 164	Z90 - 56069 - 0X	CLUTCH PRTR(RES)	1	
- 165	Z90 - 72922 - 0X	CLUTCH PRTR(PF)	1	
- 166	ZA1 - 03386 - 80	FAN S	1	
- 168	DD1 - 08850 - 5XX	CABLE ASSY CLUTCH2	1	

DD1 - 020

NO	PARTS NO	PARTS NAME	Q'TY	REMARK
020 - 169	DD1 - 34430 - 6X	SHAFT EXIT 2	1	
- 170	DD1 - 34420 - 6X	FRAME DRIVE D	1	
- 171	ZA1 - 03728 - 00	CBL-BAND	1	
- 172	DD1 - 34440 - 6X	FRAME DRIVE OP	1	

DD1 - 021

NO	PARTS NO	PARTS NAME	QTY	REMARK
021 - 101	D99 - 01460 - 6X	STOPPER RING 3	2	
- 102	D99 - 60020 - 6X	SCREW P-TITE-CUP (3C) 3X8	11	
- 103	D99 - 61010 - 6X	SCREW S-TITE-CUP (3C) 3X6	4	
- 104	DA7 - 37280 - 6X	SPRING C FEELER	1	
- 105	DA7 - 37300 - 6X	BRUSH DISCHARGE EXIT	1	
- 106	DA7 - 37330 - 6X	PRESS ROLLER EXIT SIDE	4	
- 107	DD1 - 36070 - 6X	SPONGE EXIT	1	
- 108	DD1 - 36210 - 6X	STAY TOP R	1	
- 109	DD1 - 37500 - 6X	GUIDE LOWER EXIT	1	
- 110	DD1 - 37510 - 6X	GUIDE CHANGE EXIT	1	
- 111	DD1 - 37520 - 6X	GUIDE UPPER EXIT	1	
- 112	DD1 - 37530 - 6X	GUIDE ROLLER EXIT	1	
- 113	DD1 - 37540 - 6X	RACK SHIFT 1.5	1	
- 114	DD1 - 37550 - 6X	BEARING D4 6	1	
- 115	DD1 - 37560 - 5X	ROLLER EXIT	1	
- 116	DD1 - 37570 - 6X	SPRING C FG EXIT	1	
- 117	DD1 - 37580 - 6X	FEELER SENSOR EXIT	1	
- 118	DD1 - 37590 - 6X	BRACKET SHAFT GUIDE	1	
- 119	DD1 - 37600 - 6X	GEAR 20 0.8	1	
- 120	DD1 - 37610 - 6X	BRACKET GEAR	1	
- 121	DD1 - 37620 - 6X	SPRING C PRESS EXIT	2	
- 122	DD1 - 37630 - 6X	PRESS ROLLER EXIT	2	
- 123	DD1 - 08300 - 5XX	CABLE-ASSY PRT SNSR2	1	
- 124	DD1 - 37650 - 6X	ROLLER GUIDE D8	1	
- 126	Z08 - 13358 - 0X	PHOTO INTERRUPTER	2	
- 127	DD1 - 37660 - 6X	SHEET EXIT	2	
- 128	DD1 - 36640 - 6X	SHEET STAY TOP R	1	

DD1 - 022

NO	PARTS NO	PARTS NAME	QTY	REMARK
* 022 - 101	D53 - 10080 - 6X	ROLLER PRESS	2	
* - 102	D99 - 62700 - 6X	SCREW B-TITE (3C) 3X12 (P=3)	15	
* - 104	D99 - 63010 - 6X	SCREW PHR (3C) 3X6	4	
* - 105	D99 - 63030 - 6X	SCREW PHR (3C) 3X10	2	
* - 106	D99 - 65020 - 6X	STOPPER DR (3C) 2.5	2	
* - 107	D99 - 65050 - 6X	STOPPER DR (3C) 5	2	
* - 108	DD1 - 33420 - 6X	SPRING C GUIDE	2	
* - 110	DD1 - 33010 - 6X	ROLLER HEAT	1	
* - 111	DD1 - 33020 - 6X	ROLLER PRESS	1	
* - 112	DD1 - 33030 - 5X	COVER BOTTOM	1	
* - 113	DD1 - 33040 - 5X	COVER TOP	1	
* - 114	DD1 - 33050 - 5X	FRAME SIDE F	1	
* - 115	Z08 - 23027 - 0X	BEARING(RB)	2	
* - 116	DD1 - 33060 - 5X	FRAME SIDE B	1	
* - 118	DD1 - 33080 - 6X	PLATE ARM F	1	
* - 119	DD1 - 33090 - 6X	PLATE ARM B	1	
* - 120	DD1 - 33130 - 5X	GUIDE DUP F	1	
* - 121	DD1 - 33140 - 6X	GEAR 18 1	1	
* - 122	DD1 - 33150 - 6X	GEAR 41 1	1	
* - 123	DD1 - 33160 - 6X	GEAR 23 1	1	
* - 124	DD1 - 33170 - 6X	SCRAPER	3	
* - 125	DD1 - 33180 - 6X	ROLLER INTER	1	
* - 126	DD1 - 33190 - 6X	PRESS ROLLER A	2	
* - 127	DD1 - 33520 - 6X	KNOB RELEASE	2	
* - 128	DD1 - 33220 - 6X	SPRING C FUSER	2	
* - 129	DD1 - 33230 - 6X	PLATE FUSE A	1	
* - 130	DD1 - 33240 - 6X	PLATE FUSE B	2	
* - 131	DD1 - 33250 - 6X	GEAR 20 1	2	
* - 134	DD1 - 33300 - 6X	GUIDE HARNESS	1	
* - 136	DD1 - 33320 - 6X	SPRING C GUIDE PRESS	2	

DD1 - 022

NO	PARTS NO	PARTS NAME	QTY	REMARK
* 022 - 137	DD1 - 33330 - 6X	HOLDER CONNECTOR	1	
* - 138	DD1 - 33340 - 6X	SPRING C SCRAPER	3	
* - 139	DD1 - 33360 - 6X	FRAME SUPPORT	1	
* - 140	DD1 - 33370 - 6X	SHAFT A	1	
* - 141	DD1 - 33390 - 6X	PLATE FUSE C	1	
* - 142	DD1 - 33400 - 6X	SPRING P FG B	1	
* - 143	DD1 - 33410 - 6X	SPRING C STOPPER	2	
* - 144	DD1 - 37550 - 6X	BEARING D4 6	2	
* - 145	Z07 - 93182 - 0X	BEARING(RB)	2	
* - 146	DD1 - 08390 - 4XX	ASSY HEATER(FUSER)-CBL	1	
* - 147	Z90 - 55856 - 0X	THERMISTOR	1	
* - 148	ZA1 - 04373 - 40	HEATER LAMP	1	
* - 150	ZA1 - 04484 - 20	THERMSTAT	1	
* - 151	ZA1 - 03940 - 80	THERMSTAT	1	
* - 152	DD1 - 33440 - 6X	PLATE SUPPORT	4	
* - 153	D99 - 65040 - 6X	STOPPER DR (3C) 4	2	
* - 154	DD1 - 33450 - 6X	HOLDER SHAFT	1	
* - 155	DD1 - 33460 - 6X	BUSH ROLLER PRESS	2	
* - 156	DD1 - 33470 - 6X	STOPPER BUSH	2	
* - 157	DD1 - 33480 - 5X	KNOB ENVELOPE	2	

DD1 - 023

NO	PARTS NO	PARTS NAME	QTY	REMARK
023 - 101	D99 - 60020 - 6X	SCREW P-TITE-CUP (3C) 3X8	8	
- 102	D99 - 60130 - 6X	SCREW P-TITE-CUP (3C) 4X10	1	
- 103	D99 - 63020 - 6X	SCREW PHR (3C) 3X8	1	
- 104	D99 - 65020 - 6X	STOPPER DR (3C) 2.5	4	
- 105	DC2 - 37133 - 6X	KNOB LOCK JAC	1	
- 106	DC2 - 37140 - 6X	SPRING T LOCK JAC	1	
- 107	DD1 - 35590 - 6X	PIECE SHUTTER MP	1	
- 108	DD1 - 37011 - 6X	COVER JAM ACCESS	1	
- 109	DD1 - 37030 - 6X	GUIDE DUPLEX	1	
- 110	DD1 - 37040 - 6X	ROLLER DUPLEX	2	
- 111	DD1 - 37050 - 6X	SHAFT LOCK JAC	1	
- 112	DD1 - 37100 - 6X	SPRING T FG DUP	1	
- 113	DD1 - 37110 - 6X	STOPPER JAC	1	
- 114	DD1 - 37120 - 6X	SPRING C STOPPER JAC	1	
- 115	DD1 - 37130 - 6X	LOCK JAC	2	
- 116	DD1 - 37181 - 6X	COVER GUIDE JAC	1	
- 117	DD1 - 37200 - 6X	GEAR 20/25P	2	
- 118	DD1 - 37210 - 6X	FLANGE PULLEY	2	
- 119	DD1 - 37290 - 6X	LATCH RELEASE F	1	
- 120	DD1 - 37300 - 6X	LATCH RELEASE B	1	
- 121	DD1 - 37550 - 6X	BEARING D4 6	4	
- 122	Z08 - 20873 - 0X	BLT(TMG) 30S2M330GB 165T 3W	1	
- 123	DD1 - 07020 - 6X	LABEL GUIDE DUPLEX	1	
- 124	DD1 - 0703A - 6X	LABEL COVER JAC	1	
- 125	DD1 - 37160 - 6X	SPRING C GUIDE DUP	2	

DD1 - 024

NO	PARTS NO	PARTS NAME	QTY	REMARK
024 - 101	D28 - 02120 - 6X	BEARING D6 8	1	
- 102	D99 - 01470 - 6X	STOPPER RING 4	1	
- 103	D99 - 01480 - 6X	STOPPER RING 5	3	
- 104	D99 - 60020 - 6X	SCREW P-TITE-CUP (3C) 3X8	8	
- 105	DA7 - 32020 - 6X	PLATE DISCHARGE	1	
- 106	DA7 - 32060 - 6X	PLATE FG	1	
- 107	DA7 - 32110 - 6X	BRACKET TRANSFER F	2	
- 108	DA7 - 37260 - 6X	PRESS ROLLER EXIT	2	
- 109	DA7 - 37310 - 6X	SPRING C GUIDE FUSER	2	
- 110	DC2 - 37050 - 6X	BEARING ROLLER REGISTER	2	
- 111	DD1 - 32010 - 6X	ROLLER TRANSFER	1	
- 112	DD1 - 32020 - 6X	ROLLER GAP	2	
- 113	DD1 - 32030 - 6X	BRACKET DISCHARGE	1	
- 114	DD1 - 32060 - 6X	SPRING C TRANSFER	2	
- 115	DD1 - 32100 - 6X	SPRING C GUIDE TRANSFER	1	
* - 116	DD1 - 32110 - 6X	GUIDE TRANSFER	1	
- 117	DD1 - 32120 - 6X	BRACKET GUIDE TR F	1	
- 118	DD1 - 32130 - 6X	BRACKET GUIDE TR B	1	
* - 119	DD1 - 32140 - 6X	SHEET TRANSFER	1	
- 120	DD1 - 32160 - 6X	GEAR 25H 0.6	1	
- 121	DD1 - 32170 - 6X	PLATE BIAS TRANSFER	1	
- 122	DD1 - 37020 - 6X	GUIDE INNER JAC	1	
- 123	DD1 - 37060 - 6X	SPRING C REGISTER	2	
- 124	DD1 - 37070 - 6X	SHEET REGISTER	2	
- 125	DD1 - 37080 - 6X	SPRING C FG REGISTER	1	
- 126	DD1 - 37090 - 6X	SPRING P FG JAC	1	
- 127	DD1 - 37150 - 6X	ROLLER REGISTER	1	
- 128	DD1 - 37270 - 6X	GEAR 16H 0.8	1	

DD1 - 025

NO	PARTS NO	PARTS NAME	QTY	REMARK
025 - 101	D88 - 35290 - 6X	GEAR 20	1	
- 102	D99 - 60020 - 6X	SCREW P-TITE-CUP (3C) 3X8	1	
- 103	DD1 - 35501 - 6X	TRAY A MP	1	
- 104	DD1 - 35513 - 6X	TRAY B MP	1	
- 105	DD1 - 35523 - 6X	TRAY C MP	1	
- 106	DD1 - 35533 - 6X	TRAY D MP	1	
- 107	DD1 - 35543 - 6X	FLAPPER MP	1	
- 108	DD1 - 35554 - 6X	GUIDE SIDE F MP	1	
- 109	DD1 - 35564 - 6X	GUIDE SIDE B MP	1	
- 110	DD1 - 35574 - 6X	KNOB LOCK FLAPPER MP	1	
- 111	DD1 - 35580 - 6X	SPRING C FLAPPER MP	1	
- 112	DD1 - 35650 - 6X	PAD FLAPPER MP	1	
- 113	DD1 - 07040 - 6X	LABEL GUIDE SIDE B MP	1	
- 114	DD1 - 10810 - 6X	SPRING P PINION	1	

DD1 - 026

NO	PARTS NO	PARTS NAME	QTY	REMARK
026 - 101	DA7 - 3501K - 6X	CASSETTE	1	
- 102	DA7 - 35024 - 6X	GUIDE SIDE	1	
- 103	DD1 - 35011 - 6X	COVER CST	1	
* - 104	DA7 - 35040 - 6X	PIECE PRESSURE CST	1	
* - 105	DA7 - 35050 - 6X	PAD PRESSURE CST	1	
* - 106	DA7 - 35130 - 6X	SHEET PRESSURE CST	1	
- 107	DD1 - 35110 - 6X	SPRING C PRESSURE	1	
- 108	DD1 - 07110 - 6X	SHEET CASSETTE	1	
- 110	D88 - 35120 - 6X	STOPPER FLAP	1	
- 111	D88 - 35130 - 6X	SPRING C FLAP STOPPER	1	
- 113	DA7 - 35070 - 6X	FLAPPER	1	
- 114	DD1 - 35100 - 6X	PAD FLAPPER CST	1	
- 115	DA7 - 35090 - 6X	SPRING C FLAPPER	2	
- 116	DD1 - 35050 - 5X	ROLLER PICKUP	1	
- 117	DD1 - 35020 - 6X	SHAFT PICKUP	1	
- 118	DD1 - 35120 - 6X	SPRING C FG CST	1	
- 119	DA7 - 35164 - 6X	GUIDE END A	1	
- 120	DA7 - 35174 - 6X	GUIDE END B	1	
- 121	DD1 - 35030 - 6X	COUPLING PICKUP	1	
- 122	DD1 - 35040 - 6X	SPRING C COUPLING	1	
- 123	D28 - 02120 - 6X	BEARING D6 8	2	
- 124	D65 - 04320 - 6X	SPRING C END GUIDE	1	
- 125	DA7 - 3528K - 6X	GUIDE SIDE B	1	
- 126	DA7 - 35240 - 6X	SHEET CST C	2	
- 127	DA7 - 35230 - 6X	SHEET CST B	2	
- 128	DA7 - 35220 - 6X	SPRING T FG CST B	1	
- 130	DA7 - 35300 - 6X	SPRING C END S	1	
- 131	DA7 - 35314 - 6X	STOPPER END GUIDE	1	
- 132	D99 - 01480 - 6X	STOPPER RING 5	3	
- 133	D99 - 60020 - 6X	SCREW P-TITE-CUP (3C) 3X8	4	

DD1 - 026

NO	PARTS NO	PARTS NAME	QTY	REMARK
026 - 134	D99 - 66530 - 6X	PIN PPB 2X12	2	

DD1 - 081

NO	PARTS NO	PARTS NAME	Q'TY	REMARK
081 - 101	DD1 - 10113 - 6X	TRAY DOCUMENT	1	
- 112	ZA1 - 02491 - 00	CORE	3	
- 114	ZA1 - 03728 - 00	CABLE BAND	2	
* - 115	DD1 - 07200 - 6X	LABEL SIZE PAPER	1	
- 117	ZA1 - 02369 - 30	CORE	1	
* - 118	DD1 - 90100 - 6X	MANUAL INSTALLATION	1	

DD1 - 083

NO	PARTS NO	PARTS NAME	QTY	REMARK
* 083 - 101	DD1 - 9511A - 5X	PACKCASE UPPER	1	
* - 104	DD1 - 93110 - 6X	PACKING CP CST	1	
* - 108	DD1 - 93010 - 6X	PACKING ST TOP LEFT	1	
* - 109	DD1 - 93020 - 6X	PACKING ST TOP RIGHT	1	
* - 112	DD1 - 93070 - 6X	PACKING PE PAIN MAT	1	
* - 113	DD1 - 93080 - 6X	PACKING PEPANEL MAT	1	
* - 114	DD1 - 93130 - 6X	PACKING CP TOP BOARD	1	
* - 115	DD1 - 93140 - 6X	PACKING AC PANEL	1	
* - 116	DD1 - 93430 - 6X	PACKING EPE SIDE	1	
* - 117	DD1 - 93440 - 6X	PACKING EPE URADF	1	
* - 118	DD1 - 93450 - 6X	PACKING EPE SIDE	1	
* - 119	DD1 - 95090 - 6X	PACKCASE LOWER	1	
* - 120	DD1 - 93470 - 6X	PACKING EPE URADF A	1	

DD1 - 091

NO	PARTS NO	PARTS NAME	QTY	REMARK
091 - 101	DD1 - A001A - 3X	ASSY DRUM CARTRIDGE	1	
- 102	DD1 - A002A - 3X	ASSY TONER CARTRIDGE	1	

DD1 - 092

NO	PARTS NO	PARTS NAME	QTY	REMARK
092 - 002	DA1 - A0160 - 5X	ASSY STAMP	1	
* - 103	D99 - 93230 - 6X	CASE STAMP INK	1	
* - 104	Z07 - 45372 - 0X	STAMP	1	

DD1 - 905

NO	PARTS NO	PARTS NAME	QTY	REMARK
905 - 001	DC4 - A0100 - 4X	ASSY ROLLER SEPARATOR	1	
* - 107	DA7 - 01130 - 6X	SHEET FELT	1	
* - 108	DB5 - 10110 - 5X	ROLLER SEPARATOR	1	
* - 110	DB5 - 10120 - 6X	SHAFT PICKUP	1	
* - 111	DB5 - 10130 - 5X	ROLLER PICKUP	1	
* - 113	DB5 - 10150 - 6X	HUB SEPARATOR	1	
* - 114	DB5 - 10170 - 6X	GEAR 30 0.5	1	
* - 115	DB5 - 10230 - 6X	GEAR 24 0.5 D	1	
* - 120	DC4 - 10620 - 6X	ARM PICKUP	1	
* - 122	DC4 - 10690 - 6X	GEAR 19	3	
* - 124	DC4 - 10920 - 6X	SPRING C PICKUP	1	
* - 132	DC4 - 10650 - 6X	SHAFT SEPARATOR	1	

DD1 - 906

NO	PARTS NO	PARTS NAME	QTY	REMARK
906 - 001	DC4 - A0110 - 5X	ASSY PAD SEPARATOR	1	
* - 105	DA7 - 01570 - 6X	PAD SEPARATOR A	1	
* - 107	DB5 - 10600 - 6X	PAD SEPARATOR B	1	
* - 109	DC4 - 10280 - 6X	PIECE SEPARATOR	1	
* - 112	DC4 - 10340 - 6X	SHEET SEPARATOR	1	

DD1 - 909

NO	PARTS NO	PARTS NAME	Q'TY	REMARK
909 - 001	DD1 - A0050 - 5X	ASSY SOLENOID GUIDE	1	
- 002	DD1 - A0060 - 5X	ASSY SOLENOID ROLLER	1	
* - 103	D99 - 66030 - 6X	PIN PK 2X12	1	
* - 104	D99 - 66140 - 6X	PIN PK 3X16	1	
* - 111	Z90 - 72828 - 0X	SOLENOID ROLLER	1	
* - 112	Z90 - 72830 - 0X	SOLENOID GUIDE	1	

DD1 - 912

NO	PARTS NO	PARTS NAME	QTY	REMARK
912 - 001	DD1 - A008B - 5X	ASSY COVER TOP FBS	1	
* - 101	DA7 - 05220 - 6X	PANE	1	
* - 102	D88 - 05480 - 6X	SHEET BACKGROUND SEAL	1	
* - 104	DD1 - 05030 - 6X	GLASS CONTACT	1	
* - 105	DD1 - 0502B - 6X	COVER TOP FBS	1	
* - 107	DD1 - 05320 - 6X	SPRING C FG GLASS CONTACT	1	
* - 108	DD1 - 05330 - 6X	SHEET FG GLASS CONTACT	1	

DD1 - 916

NO	PARTS NO	PARTS NAME	Q'TY	REMARK
916 - 001	DD1 - A041C - 4X	ASSY PCB MAIN(SD CARD)	1	
- 002	DD1 - A044C - 4X	ASSY SD CARD	1	
- 003	DD1 - A043C - 4X	ASSY PCB MAIN	1	
* - 117	DD1 - 09011 - 5XX	PCB MAIN	1	
* - 120	ZA1 - 04392 - 80	SD MEMORY CARD	1	
* - 130	DD1 - SF002 - 6X	SOFTWARE(SD)	1	
* - 133	DD1 - SF022 - 6X	SOFTWARE(BOOT)	1	

DD1 - 917

NO	PARTS NO	PARTS NAME	Q'TY	REMARK
917 - 001	DD1 - A0090 - 5X	ASSY PRESSURE MP	1	
* - 123	DC2 - 35660 - 6X	PAD PRESSURE MP	1	
* - 127	DC2 - 35650 - 6X	PIECE PRESSURE MP	1	
* - 128	DD1 - 35660 - 6X	SHEET PRESSURE MP	1	

DD1 - 919

NO	PARTS NO	PARTS NAME	Q'TY	REMARK
919 - 001	DD1 - A0100 - 5X	ASSY MOTOR TONER	1	
* - 113	DD1 - 34330 - 6X	GEAR WORM TC	1	
* - 133	Z90 - 72857 - 0X	MOTOR TONER	1	

DD1 - 920

NO	PARTS NO	PARTS NAME	Q'TY	REMARK
920 - 001	DD1 - A0110 - 5X	ASSY SHAFT CASSETTE	1	
*	- 111	D99 - 66040 - 6X	1	
*	- 119	DD1 - 34050 - 6X	1	

DD1 - 922

NO	PARTS NO	PARTS NAME	QTY	REMARK
922 - 001	DD1 - A012B - 3X	ASSY FUSER	1	
* - 101	D53 - 10080 - 6X	ROLLER PRESS	2	
* - 102	D99 - 62700 - 6X	SCREW B-TITE (3C) 3X12 (P=3)	15	
* - 104	D99 - 63010 - 6X	SCREW PHR (3C) 3X6	4	
* - 106	D99 - 65020 - 6X	STOPPER DR (3C) 2.5	2	
* - 107	D99 - 65050 - 6X	STOPPER DR (3C) 5	2	
* - 108	DD1 - 33420 - 6X	SPRING C GUIDE	2	
* - 110	DD1 - 33010 - 6X	ROLLER HEAT	1	
* - 111	DD1 - 33020 - 6X	ROLLER PRESS	1	
* - 112	DD1 - 33030 - 5X	COVER BOTTOM	1	
* - 113	DD1 - 33040 - 5X	COVER TOP	1	
* - 114	DD1 - 33050 - 5X	FRAME SIDE F	1	
* - 115	Z08 - 23027 - 0X	BEARING(RB)	2	
* - 116	DD1 - 33060 - 5X	FRAME SIDE B	1	
* - 118	DD1 - 33080 - 6X	PLATE ARM F	1	
* - 119	DD1 - 33090 - 6X	PLATE ARM B	1	
* - 120	DD1 - 33130 - 5X	GUIDE DUP F	1	
* - 121	DD1 - 33140 - 6X	GEAR 18 1	1	
* - 122	DD1 - 33150 - 6X	GEAR 41 1	1	
* - 123	DD1 - 33160 - 6X	GEAR 23 1	1	
* - 124	DD1 - 33170 - 6X	SCRAPER	3	
* - 125	DD1 - 33180 - 6X	ROLLER INTER	1	
* - 126	DD1 - 33190 - 6X	PRESS ROLLER A	2	
* - 127	DD1 - 33520 - 6X	KNOB RELEASE	2	
* - 128	DD1 - 33220 - 6X	SPRING C FUSER	2	
* - 129	DD1 - 33230 - 6X	PLATE FUSE A	1	
* - 130	DD1 - 33240 - 6X	PLATE FUSE B	2	
* - 131	DD1 - 33250 - 6X	GEAR 20 1	2	
* - 134	DD1 - 33300 - 6X	GUIDE HARNESS	1	
* - 136	DD1 - 33320 - 6X	SPRING C GUIDE PRESS	2	

DD1 - 922

NO	PARTS NO	PARTS NAME	QTY	REMARK
* 922 - 137	DD1 - 33330 - 6X	HOLDER CONNECTOR	1	
* - 138	DD1 - 33340 - 6X	SPRING C SCRAPER	3	
* - 139	DD1 - 33360 - 6X	FRAME SUPPORT	1	
* - 140	DD1 - 33370 - 6X	SHAFT A	1	
* - 141	DD1 - 33390 - 6X	PLATE FUSE C	1	
* - 142	DD1 - 33400 - 6X	SPRING P FG B	1	
* - 143	DD1 - 33410 - 6X	SPRING C STOPPER	2	
* - 144	DD1 - 37550 - 6X	BEARING D4 6	2	
* - 145	Z07 - 93182 - 0X	BEARING(RB)	2	
* - 146	DD1 - 08390 - 4XX	ASSY HEATER(FUSER)-CBL	1	
* - 147	Z90 - 55856 - 0X	THERMISTOR	1	
* - 148	ZA1 - 04373 - 40	HEATER LAMP	1	
* - 150	ZA1 - 04484 - 20	THERMSTAT	1	
* - 151	ZA1 - 03940 - 80	THERMSTAT	1	
* - 152	DD1 - 33440 - 6X	PLATE SUPPORT	4	
* - 153	D99 - 65040 - 6X	STOPPER DR (3C) 4	2	
* - 154	DD1 - 33450 - 6X	HOLDER SHAFT	1	
* - 155	DD1 - 33460 - 6X	BUSH ROLLER PRESS	2	
* - 156	DD1 - 33470 - 6X	STOPPER BUSH	2	
* - 157	DD1 - 33480 - 5X	KNOB ENVELOPE	2	
* - 200	DD1 - 93310 - 6X	PACKING EPE FUSER TOP	1	
* - 201	DD1 - 93320 - 6X	PACKING EPE FUSER SIDE	2	
* - 202	DD1 - 93330 - 6X	PACKING CP FUSER ASSY	1	
* - 203	DD1 - 95070 - 6X	PACKCASE FUSER	1	

DD1 - 924

NO	PARTS NO	PARTS NAME	Q'TY	REMARK
924 - 001	DD1 - A0130 - 5X	ASSY GUIDE TRANSFER	1	
*	- 116	DD1 - 32110 - 6X	1	
*	- 119	DD1 - 32140 - 6X	1	

DD1 - 926

NO	PARTS NO	PARTS NAME	Q'TY	REMARK
926 - 001	DA7 - A0150 - 5X	ASSY PIECE PRESSURE	1	
* - 104	DA7 - 35040 - 6X	PIECE PRESSURE CST	1	
* - 105	DA7 - 35050 - 6X	PAD PRESSURE CST	1	
* - 106	DA7 - 35130 - 6X	SHEET PRESSURE CST	1	