



RICOH UNIVERSITY

Learning ♦ Knowledge ♦ Performance



M124/M125 PARTS CATALOG

LANIER RICOH SAVIN

It is the reader's responsibility when discussing the information contained within this document to maintain a level of confidentiality that is in the best interest of Ricoh Americas Corporation and its member companies.

**NO PART OF THIS DOCUMENT MAY BE REPRODUCED IN ANY
FASHION AND DISTRIBUTED WITHOUT THE PRIOR
PERMISSION OF RICOH AMERICAS CORPORATION.**

All product names, domain names or product illustrations, including desktop images, used in this document are trademarks, registered trademarks or the property of their respective companies.

They are used throughout this book in an informational or editorial fashion only and for the benefit of such companies. No such use, or the use of any trade name, or web site is intended to convey endorsement or other affiliation with Ricoh products.

LEGEND

PRODUCT CODE	COMPANY		
	LANIER	RICOH	SAVIN
M124	SPC830DN	Aficio SPC830DN	SPC830DN
M125	SPC831DN	Aficio SPC831DN	SPC831DN
D579	Paper Feed Unit PB3120 (1-Tray)		
D580	Paper Feed Unit PB3130 (2-Tray)		
D631	LCIT RT3020 (1200 sheets)		
D581	LCIT RT3140 (2000 sheets)		
M413	Mail Box CS3000 (4-Bin)		
D634	Bridge Unit BU3060		
D637	Booklet Finisher SR3110 (2000 sheets)		
D636	Finisher SR3120 (3000 sheets)		
D570	Punch Unit PU3030		
B703	Output Jogger Unit Type 9002A		
	CTL Options		

DOCUMENTATION HISTORY

REV. NO.	DATE	COMMENTS
*	11/2012	Original Printing

Unit All



U001
EXTERIOR



U002
OPERATION



U003
LASER UNIT



U004
Paper Tray (1st)



U005
Paper Tray (2nd)



U006
Paper Feed



U007
Paper Registration



U008
TONNER SUPPLY-1



U009
TONNER SUPPLY-2



U010
PCU



U011
ITB UNIT



U012
ITB CLEANING

Unit All



U013
USED TONER-1



U014
USED TONER-2



U015
FUSING-1



U016
FUSING-2



U017
PAPER EXIT



U018
DUPLEX



U019
MAIN DRIVE-1



U020
MAIN DRIVE-2



U021
MAIN DRIVE-3



U022
MAIN DRIVE-4



U023
MAIN DRIVE-5



U024
ELECTRICAL

Unit All



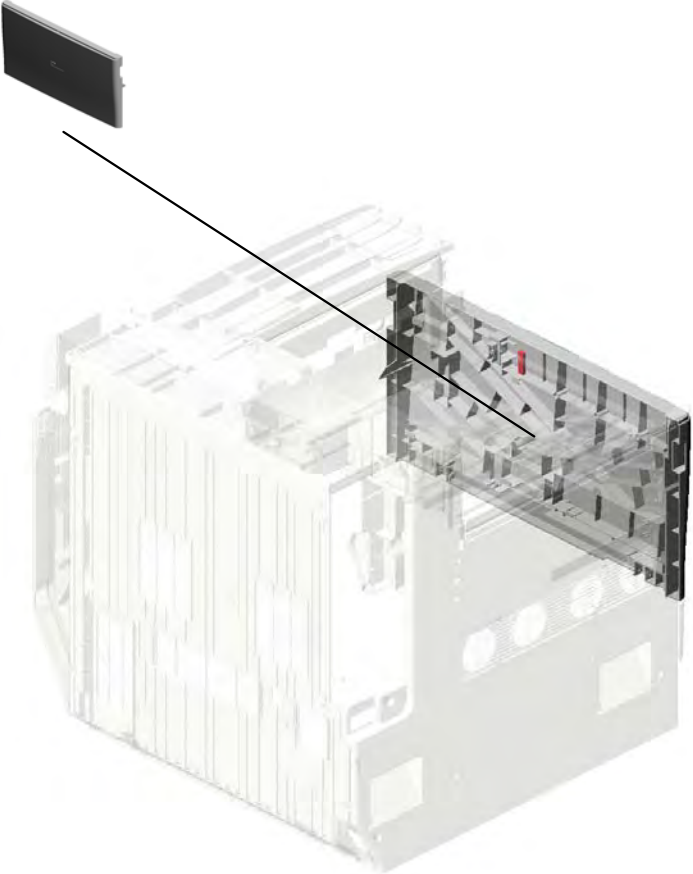
U025
CONTROLLER



U026
MAIN FRAME

U001.EXTERIOR

U001_S001
D1441250
COVER:FRONT:ASSY



U001	U002	U003	U004	U005	U006	U007	U008	U009	U010	U011	U012	U013	U014	U015	U016	U017	U018	U019	U020	U021
------	------	------	------	------	------	------	------	------	------	------	------	------	------	------	------	------	------	------	------	------

U001 EXTERIOR

- 11.D1296605 DECAL:MISFEED R
- 3.AG071012 MAGNET CATCH:ASSY
- 19.D1441261 COVER:UPPER
- 5.B2231249 STOPPER:MAGNET CATCH
- 13.D1441239 INNER COVER:UPPER:LEFT:D143/C144:EXP



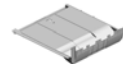
6.B2231276
FILTER:RIGHT REAR

14.D1441242
COVER:RIGHT REAR:FAN

16.D1441247
COVER:RIGHT:FRONT:EXP

15.D1441244
COVER:RIGHT:REAR

2.04513008N
(x15)
TAPPING SCREW - M3X8



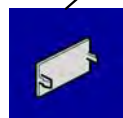
10.D1294487
END FENCE:EXIT

20.D1441279
CLEANER:SHIELD GLASS:ASSY

12.D1441233
INNER COVER:MIDDLE

8.D0891389
SEAL:COVER:LEFT:MIDDLE

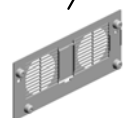
1.04503010N
(x4)
TAPPING SCREW - M3X10



9.D1201336
CAP:COVER



21.D1441281
COVER:LEFT



22.D1441284
COVER:LEFT:MIDDLE



18.D1441257
COVER:FRONT:COLLECTION BOTTLE:EXP



7.B2236529
COLLECTION BOTTLE HOLDER

U001 EXTERIOR



24.D1441327
INNER COVER:UP
PER:RIGHT:C3:EX
P

30.D6471370
CAP:DIA17:IDG

29.D1446809
(x4)
DECAL:CLEANING:
POSITIONING DISP
LAY

34.G1336537
MAGNET CATCH

27.D1443366
DECAL:COLORED
DISPLAY:INNER C
OVER:C:EXP

32.G1331295
OZONE FILTER

41.M1251267
COVER:UPPER:RE
AR:IDG

40.M1251261
COVER:INNER BA
CK:IDG

31.G0201332
(x2)
HINGE - FRONT C
OVER

23.D1441291
COVER:REAR

38.GA003033
DECAL - SHIELDIN
G PLATE K

37.GA003032
DECAL - SHIELDIN
G PLATE C

36.GA003031
DECAL - SHIELDIN
G PLATE M

33.G1336536
SHEET:PLATE:COL
LECTION BOTTLE

39.M1251230
INNER COVER:LEF
T:P3

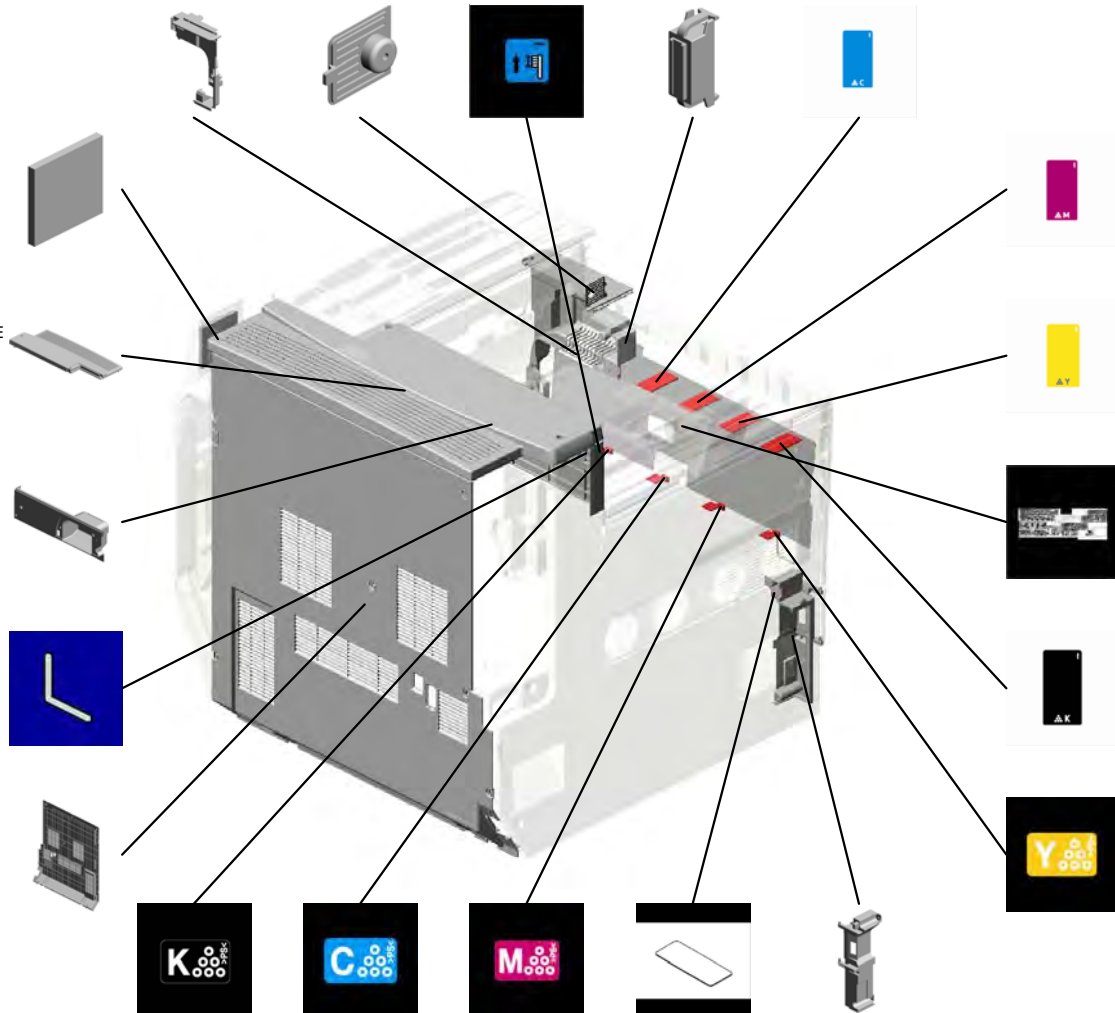
28.D1443367
DECAL:COLORED
DISPLAY:INNER C
OVER:M:EXP

26.D1443365
DECAL:COLORED
DISPLAY:INNER C
OVER:Y:EXP

42.M1256823
SHEET:COVER:FR
ONT

25.D1443364
DECAL:COLORED
DISPLAY:INNER C
OVER:BK:EXP

35.GA003030
DECAL - SHIELDIN
G PLATE Y



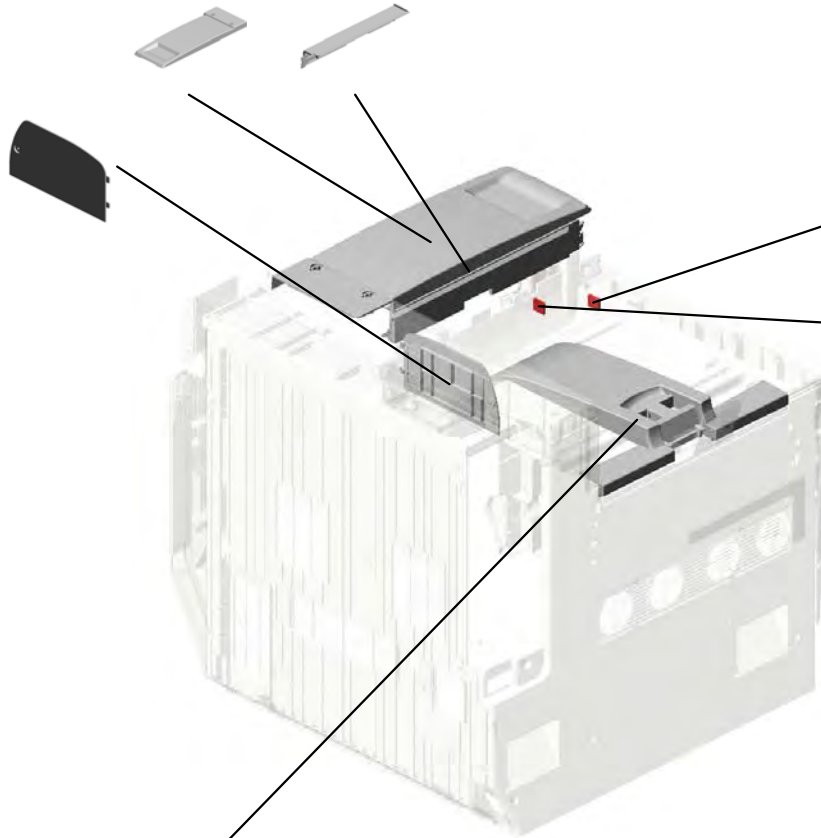
U001
EXTERIOR

47.M1321268
COVER:UPPER:RI
GHT:IDG

46.M1321266
COVER:PAPER EXI
T UNIT:UPPER:IDG



45.M1321263
COVER:INNER BA
CK:MIDDLE:IDG



43.M1256824
DECAL:INTERMEDI
ATE TRANSFER:R
RELEASE

44.M1256825
DECAL:INTERMEDI
ATE TRANSFER:L
LOCK

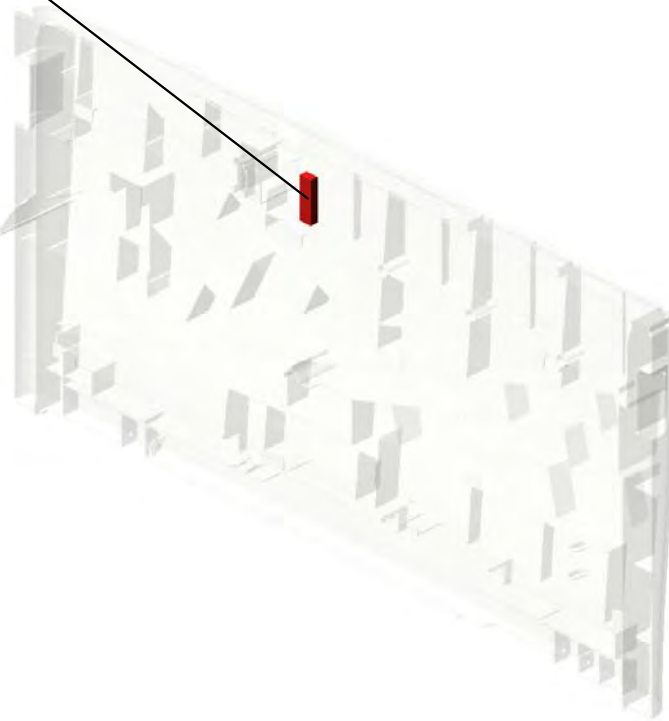
48.M1324486
TRAY:EXIT

U001_S001
COVER:FRONT:ASS'Y

4.B0241264
MAGNET CATCH



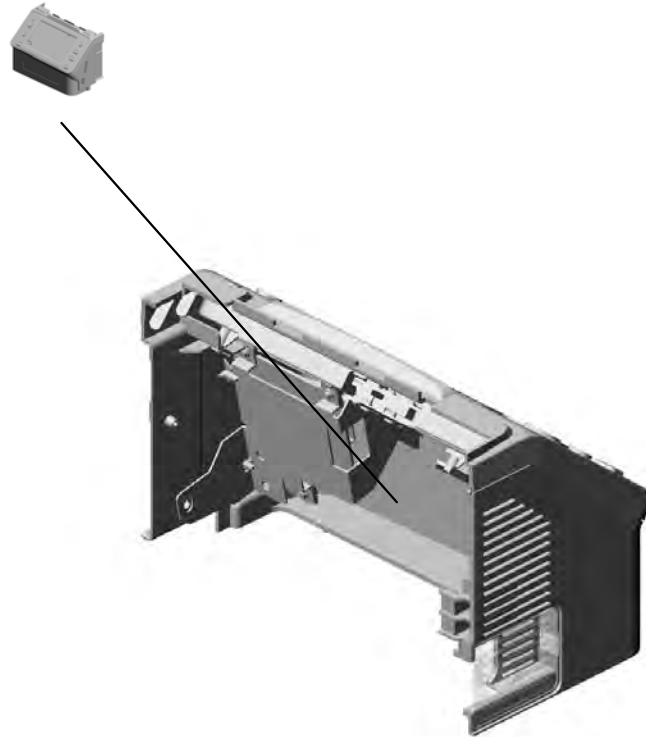
17.D1441250
COVER:FRONT:AS
SY



U001	U002	U003	U004	U005	U006	U007	U008	U009	U010	U011	U012	U013	U014	U015	U016	U017	U018	U019	U020	U021
------	------	------	------	------	------	------	------	------	------	------	------	------	------	------	------	------	------	------	------	------

U002.OPERATION

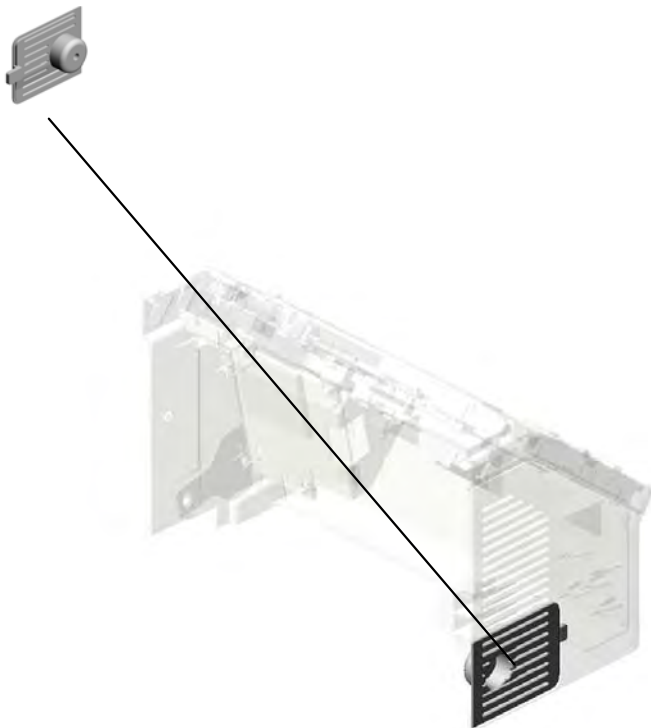
U002_S001
M1251411
OPERATION PANEL:EXP:AS
SY



U001	U002	U003	U004	U005	U006	U007	U008	U009	U010	U011	U012	U013	U014	U015	U016	U017	U018	U019	U020	U021
------	-------------	------	------	------	------	------	------	------	------	------	------	------	------	------	------	------	------	------	------	------

U002 OPERATION

3.M1321508
COVER:OPERATIO
N PANEL:SMALL:A
AP

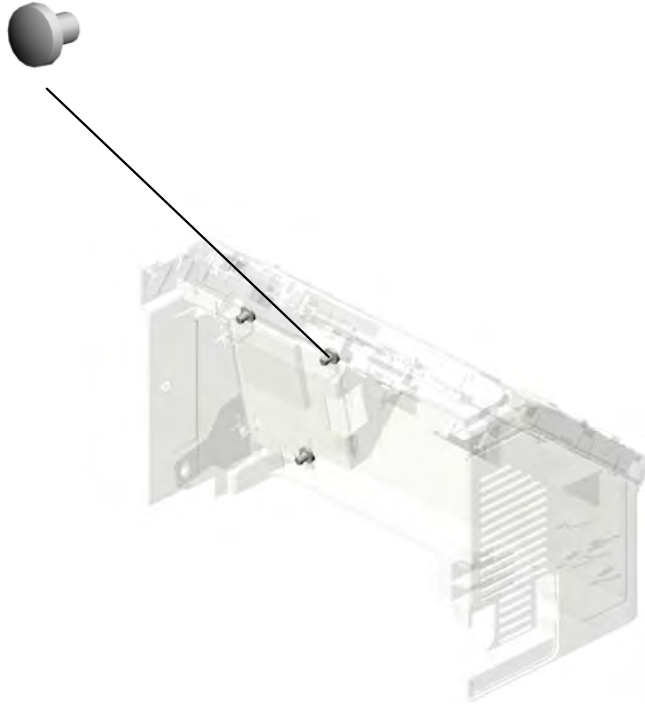


U002_S001
OPERATION PANEL:EXP:ASS'Y

1.03530040N
(x3)
SCREW - M3X4

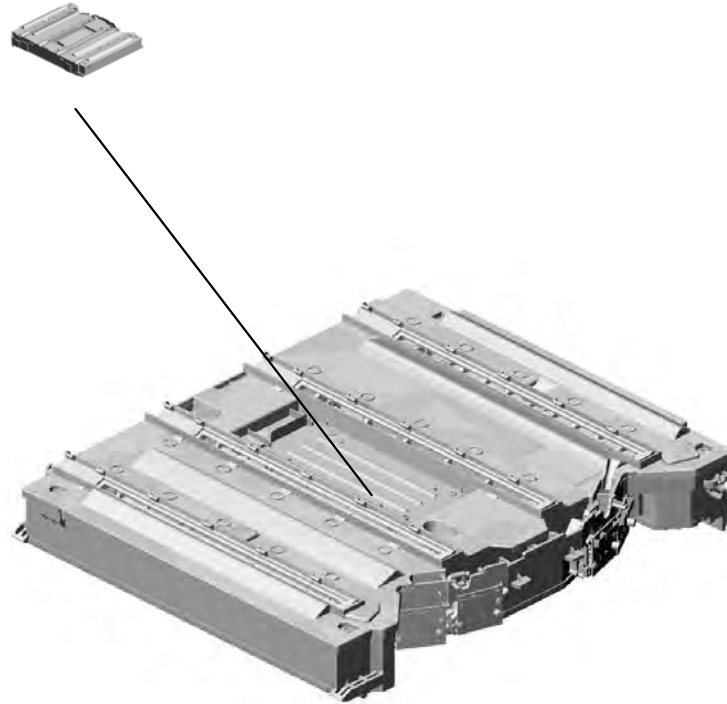


2.M1251411
OPERATION PANE
L:EXP:ASS'Y



U003.LASER UNIT

U003_S001
D14383
1.0DU EXP



U001	U002	U003	U004	U005	U006	U007	U008	U009	U010	U011	U012	U013	U014	U015	U016	U017	U018	U019	U020	U021
------	------	------	------	------	------	------	------	------	------	------	------	------	------	------	------	------	------	------	------	------

U003 LASER UNIT

7.B2231882
COVER - POLYGO
N MOTOR

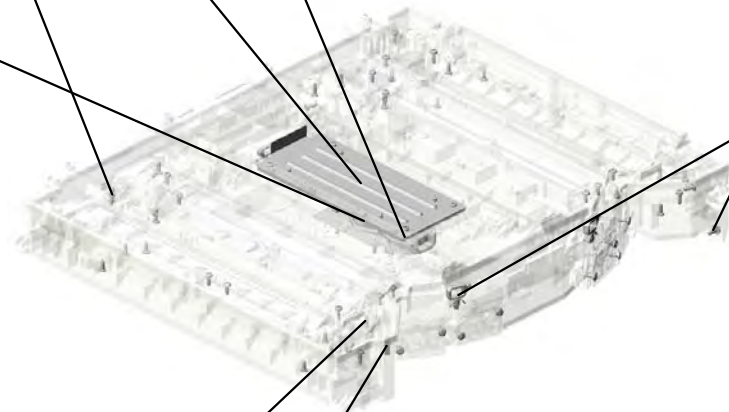
8.B2231903
LOUVER



3.08025318
(x12)
BINDING HEAD TA
PPING SCREW:ES:
3X10



6.AX060396
DC POLYGON MIR
ROR MOTOR:24W



1.04513008N
(x2)
TAPPING SCREW -
M3X8



4.11050508
(x2)
HARNESS CLAMP -
LWS-0711



2.08025317
(x49)
BINDING HEAD TA
PPING SCREW:ES:
3X8



5.11050516
(x2)
CLAMP



1.04513008N
 (x2)
 TAPPING SCREW -
 M3X8

8.B2231903
 LOUVER



9.D14383
 1.0 DU EXP

7.B2231882
 COVER - POLYGO
 N MOTOR

6.AX060396
 DC POLYGON MIR
 ROR MOTOR:24W

4.11050508
 (x2)
 HARNESS CLAMP -
 LWS-0711

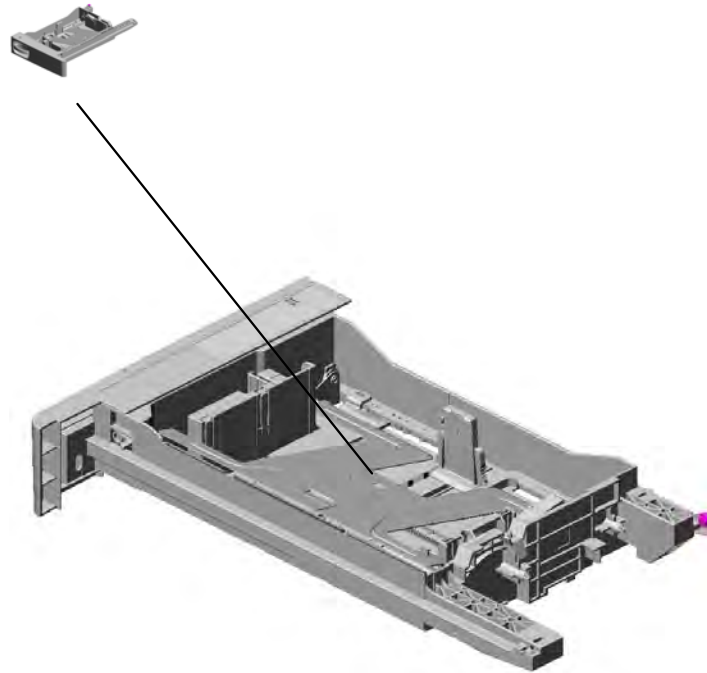
5.11050516
 (x2)
 CLAMP

3.08025318
 (x12)
 BINDING HEAD TA
 PPING SCREW:ES:
 3X10

2.08025317
 (x49)
 BINDING HEAD TA
 PPING SCREW:ES:
 3X8

U004.Paper Tray (1st)

U004_S001
D1442850
PAPER TRAY:NO.1:ASS'Y

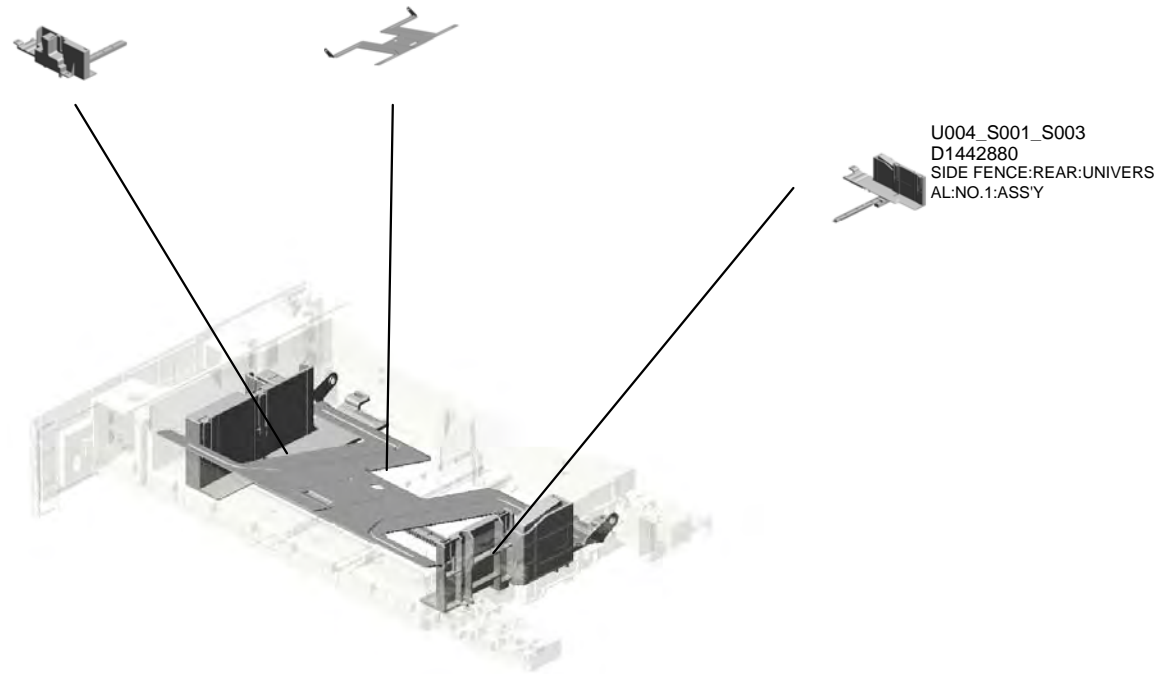


U001	U002	U003	U004	U005	U006	U007	U008	U009	U010	U011	U012	U013	U014	U015	U016	U017	U018	U019	U020	U021
------	------	------	------	------	------	------	------	------	------	------	------	------	------	------	------	------	------	------	------	------

U004_S001.PAPER TRAY:NO.1:ASS'Y

U004_S001_S002
D1442870
SIDE FENCE:FRONT:UNIVER
SAL:NO.1:ASS'Y

U004_S001_S001
D0892940
TRAY BOTTOM PLATE:ASS'Y

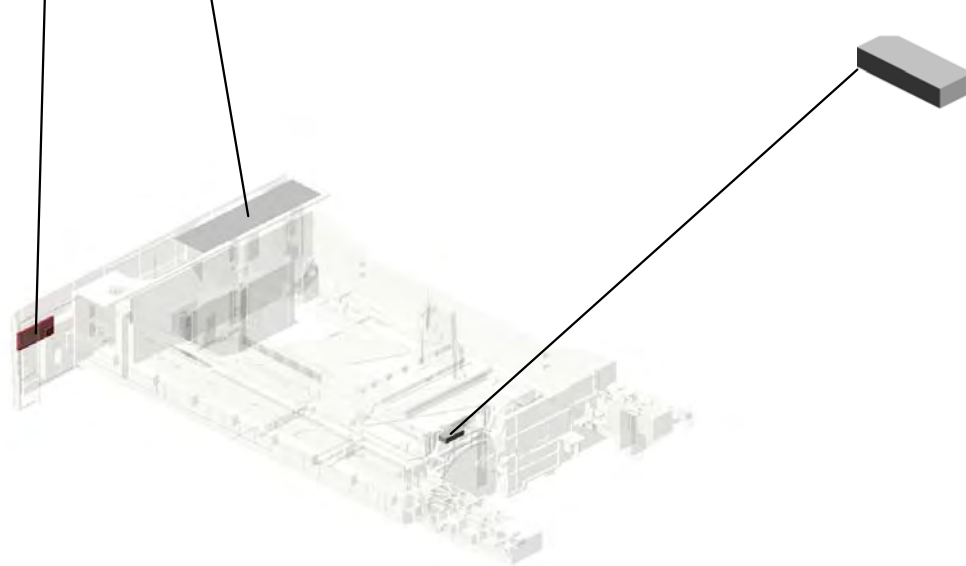


U001	U002	U003	U004	U005	U006	U007	U008	U009	U010	U011	U012	U013	U014	U015	U016	U017	U018	U019	U020	U021
------	------	------	------	------	------	------	------	------	------	------	------	------	------	------	------	------	------	------	------	------

U004 Paper Tray (1st)

29.D1202872
DECAL:PAPER TR
AY:NO.1

35.D5802523
DECAL:PAPER SE
T DIRECTION:TRA
Y:NO.2



25.D0892849
SEAL:TRAY:NO.1

U001	U002	U003	U004	U005	U006	U007	U008	U009	U010	U011	U012	U013	U014	U015	U016	U017	U018	U019	U020	U021
------	------	------	-------------	------	------	------	------	------	------	------	------	------	------	------	------	------	------	------	------	------

U004_S001
PAPER TRAY:NO.1:ASS'Y

9.AA061014
TENSION SPRING:
GRIP

13.B2232862
LEVER - RELEASE
INNER

1.04503012N
(x2)
TAPPING SCREW:
3X12

12.B2232861
GRIP HOLDER

34.D1442896
(x2)
STEPPED SCREW:
PAPER FEED



30.D1442850
PAPER TRAY:NO.1
:ASS'Y

31.D1442857
COVER:PAPER TR
AY:NO.1

24.D0292863
SHAFT:RELEASE:P
APER TRAY

4.07200080E
RETAINING RING -
M8

15.B2232868
LEVER:RELEASE:P
APER TRAY:OUTE
R

8.AA061003
TENSION SPRING:
SIDE FENCE:REAR

20.B2232918
RISE LEVER

3.04533008N
BINDING SELF TAP
PING SCREW:3X8

2.04504008N
TAPPING SCREW -
M4X8

23.B2232936
GEAR - 16Z

14.B2232865
RISE NO.1 SHAFT

19.B2232894
SLIDE RAIL STOPP
ER - LEFT

18.B2232890
SLIDE RAIL - LEFT

27.D1202832
END FENCE:ASS'Y

16.B2232869
GROUND PLATE

5.A2322987
(x4)
ROLLER - PAPER T
RAY

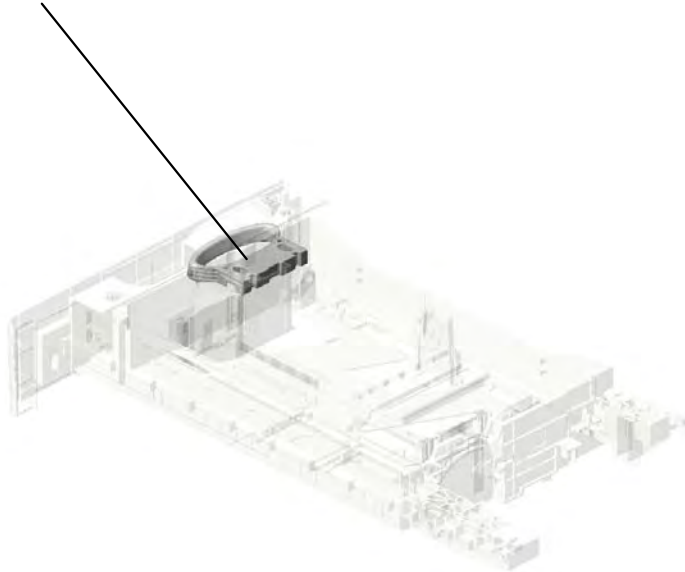
U001	U002	U003	U004	U005	U006	U007	U008	U009	U010	U011	U012	U013	U014	U015	U016	U017	U018	U019	U020	U021
------	------	------	------	------	------	------	------	------	------	------	------	------	------	------	------	------	------	------	------	------

U004_S001
PAPER TRAY:NO.1:ASS'Y

36.D5802870
GRIP:PAPER TRAY



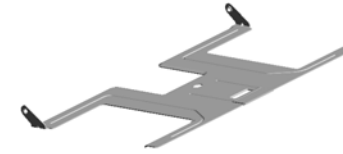
30.D1442850
PAPER TRAY:NO.1
:ASS'Y



U001	U002	U003	U004	U005	U006	U007	U008	U009	U010	U011	U012	U013	U014	U015	U016	U017	U018	U019	U020	U021
------	------	------	-------------	------	------	------	------	------	------	------	------	------	------	------	------	------	------	------	------	------

U004_S001_S001
TRAY BOTTOM PLATE:ASS'Y

10.AF033010
PAD



26.D0892940
TRAY BOTTOM PL
ATE:ASS'Y



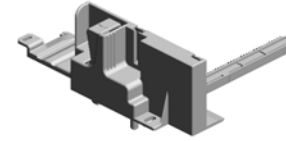
U001	U002	U003	U004	U005	U006	U007	U008	U009	U010	U011	U012	U013	U014	U015	U016	U017	U018	U019	U020	U021
------	------	------	------	------	------	------	------	------	------	------	------	------	------	------	------	------	------	------	------	------

U004_S001_S002

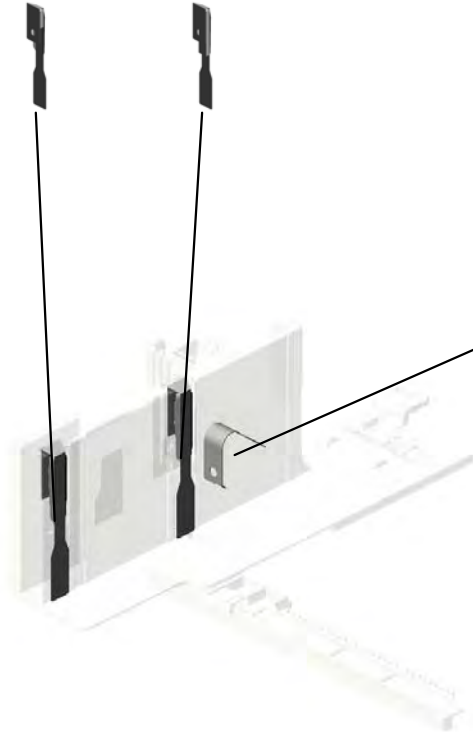
SIDE FENCE:FRONT:UNIVERSAL:NO.1:ASS'Y

22.B2232935
PLATE - SIDE FEN
CE RIGHT

21.B2232934
PLATE - SIDE FEN
CE



32.D1442870
SIDE FENCE:FRON
T:UNIVERSAL:NO.1
:ASS'Y



11.B0042923
SPRING PLATE - R
RELEASE LEVER

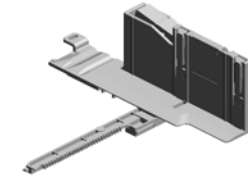
U001	U002	U003	U004	U005	U006	U007	U008	U009	U010	U011	U012	U013	U014	U015	U016	U017	U018	U019	U020	U021
------	------	------	------	------	------	------	------	------	------	------	------	------	------	------	------	------	------	------	------	------

U004_S001_S003

SIDE FENCE:REAR:UNIVERSAL:NO.1:ASS'Y

17.B2232873
DECAL - SIDE FEN
CE REAR

21.B2232934
PLATE - SIDE FEN
CE



33.D1442880
SIDE FENCE:REAR
:UNIVERSAL:NO.1:
ASS'Y

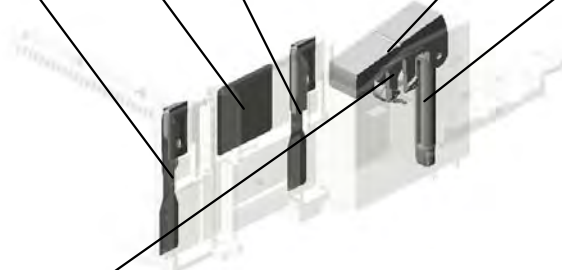
22.B2232935
PLATE - SIDE FEN
CE RIGHT



28.D1202864
LEVER:STOPPER:
POSITIONING



7.A2672859
SIDE FENCE STOP
PER

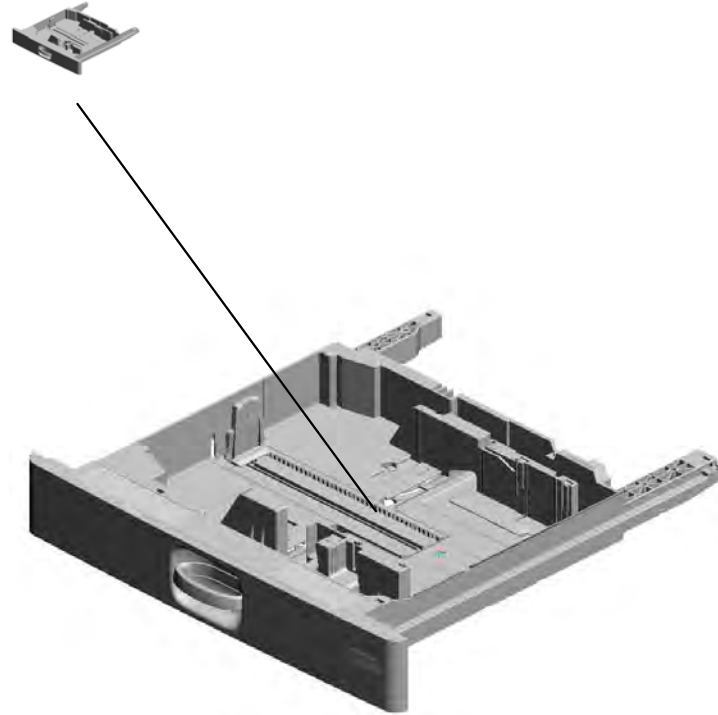


6.A2672857
SPRING PLATE - SI
DE FENCE

U001	U002	U003	U004	U005	U006	U007	U008	U009	U010	U011	U012	U013	U014	U015	U016	U017	U018	U019	U020	U021
------	------	------	------	------	------	------	------	------	------	------	------	------	------	------	------	------	------	------	------	------

U005.Paper Tray (2nd)

U005_S001
D5802900
PAPER TRAY:NO.2:ASS'Y



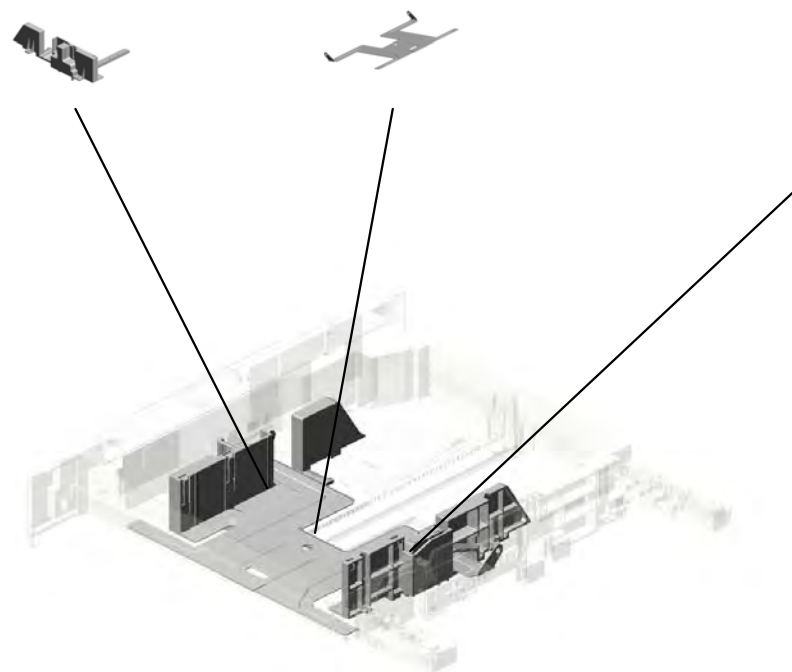
U001	U002	U003	U004	U005	U006	U007	U008	U009	U010	U011	U012	U013	U014	U015	U016	U017	U018	U019	U020	U021
------	------	------	------	------	------	------	------	------	------	------	------	------	------	------	------	------	------	------	------	------

U005_S001.PAPER TRAY:NO.2:ASS'Y

U005_S001_S002
D1292920
SIDE FENCE:FRONT:ASS'Y

U005_S001_S001
D0892940
TRAY BOTTOM PLATE:ASS'Y

U005_S001_S003
D1292930
SIDE FENCE:REAR:ASS'Y



U001	U002	U003	U004	U005	U006	U007	U008	U009	U010	U011	U012	U013	U014	U015	U016	U017	U018	U019	U020	U021
------	------	------	------	------	------	------	------	------	------	------	------	------	------	------	------	------	------	------	------	------

U005 Paper Tray (2nd)

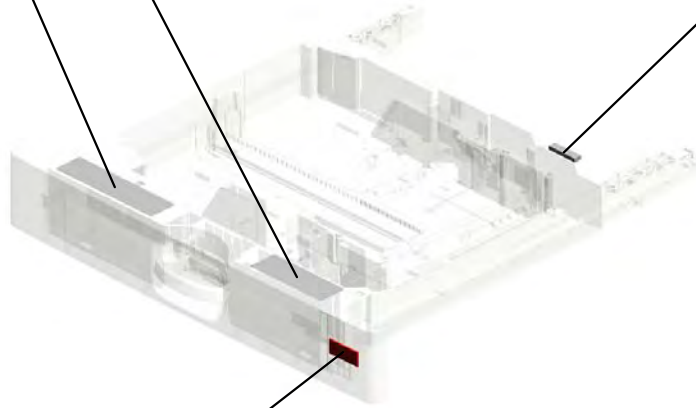
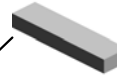
32.D1442747
DECAL:PAPER SE
T DIRECTION:TRA
Y:RIGHT:EXP



33.D5802523
DECAL:PAPER SE
T DIRECTION:TRA
Y:NO.2



12.B1802782
SEAL:TRAY



28.D1202873
DECAL:PAPER TR
AY:NO.2

U001	U002	U003	U004	U005	U006	U007	U008	U009	U010	U011	U012	U013	U014	U015	U016	U017	U018	U019	U020	U021
------	------	------	------	-------------	------	------	------	------	------	------	------	------	------	------	------	------	------	------	------	------

U005_S001
PAPER TRAY:NO.2:ASS'Y

14.B2232862 LEVER - RELEASE INNER
 1.04503012N (x2) TAPPING SCREW: 3X12
 36.D5802946 COVER:PAPER TRAY:NO.2
 34.D5802870 GRIP:PAPER TRAY
 13.B2232861 GRIP HOLDER



35.D5802900 PAPER TRAY:NO.2 :ASS'Y

9.AA061014 TENSION SPRING: GRIP

24.D0292863 SHAFT:RELEASE:PAPER TRAY

4.07200080E RETAINING RING - M8

16.B2232868 LEVER:RELEASE:PAPER TRAY:OUTER

8.AA061003 TENSION SPRING: SIDE FENCE:REAR

19.B2232918 RISE LEVER

3.04533008N BINDING SELF TAPPING SCREW:3X8

23.B2232936 GEAR - 16Z

15.B2232865 RISE NO.1 SHAFT

5.A2322987 (x4) ROLLER - PAPER TRAY

26.D1202832 END FENCE:ASS'Y

17.B2232910 LINK - PAPER SIZE SENSOR

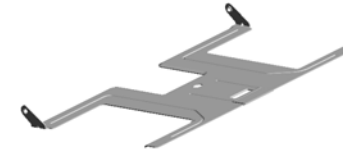
2.04504008N (x2) TAPPING SCREW - M4X8

18.B2232911 SPACER

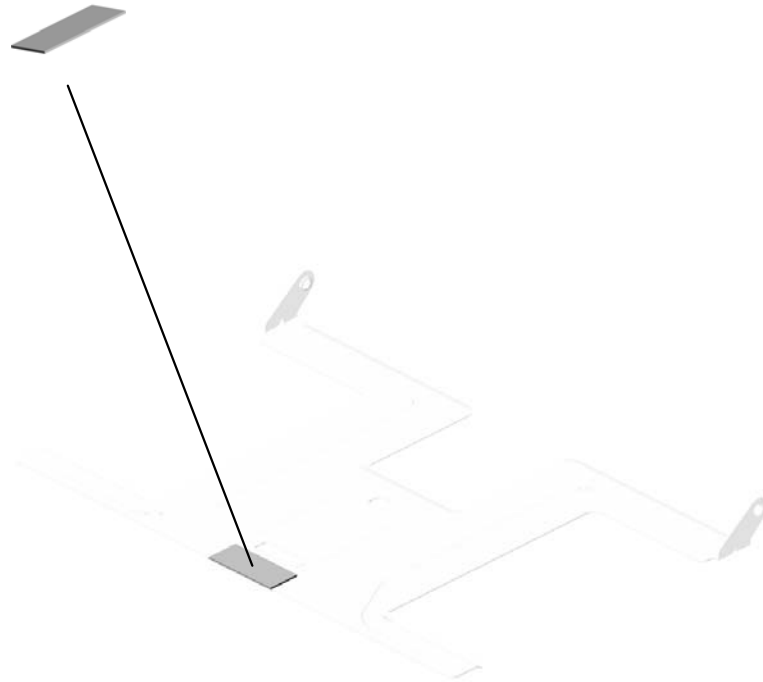
20.B2232919 GROUND PLATE - PAPER TRAY NO.2

U005_S001_S001
TRAY BOTTOM PLATE:ASS'Y

10.AF033010
PAD



25.D0892940
TRAY BOTTOM PL
ATE:ASS'Y



U001	U002	U003	U004	U005	U006	U007	U008	U009	U010	U011	U012	U013	U014	U015	U016	U017	U018	U019	U020	U021
------	------	------	------	------	------	------	------	------	------	------	------	------	------	------	------	------	------	------	------	------

U005_S001_S002
SIDE FENCE:FRONT:ASS'Y

22.B2232935
PLATE - SIDE FEN
CE RIGHT

21.B2232934
PLATE - SIDE FEN
CE



30.D1292920
SIDE FENCE:FRON
T:ASSY



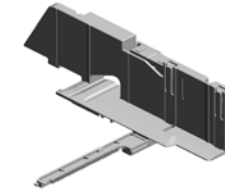
11.B0042923
SPRING PLATE - R
RELEASE LEVER

U001	U002	U003	U004	U005	U006	U007	U008	U009	U010	U011	U012	U013	U014	U015	U016	U017	U018	U019	U020	U021
------	------	------	------	------	------	------	------	------	------	------	------	------	------	------	------	------	------	------	------	------

U005_S001_S003
SIDE FENCE:REAR:ASS'Y

29.D1202875
DECAL:SIDE FENC
E:REAR

21.B2232934
PLATE - SIDE FEN
CE



31.D1292930
SIDE FENCE:REAR
:ASS'Y

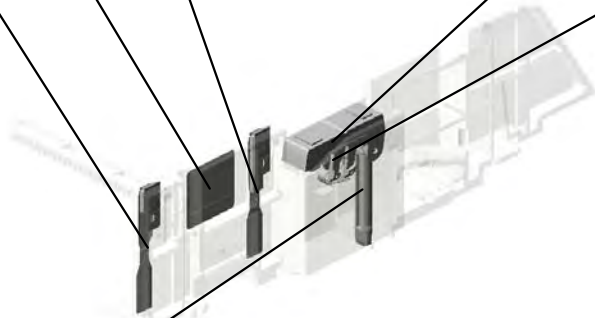
22.B2232935
PLATE - SIDE FEN
CE RIGHT



27.D1202864
LEVER:STOPPER:
POSITIONING



6.A2672857
SPRING PLATE - SI
DE FENCE



7.A2672859
SIDE FENCE STOP
PER



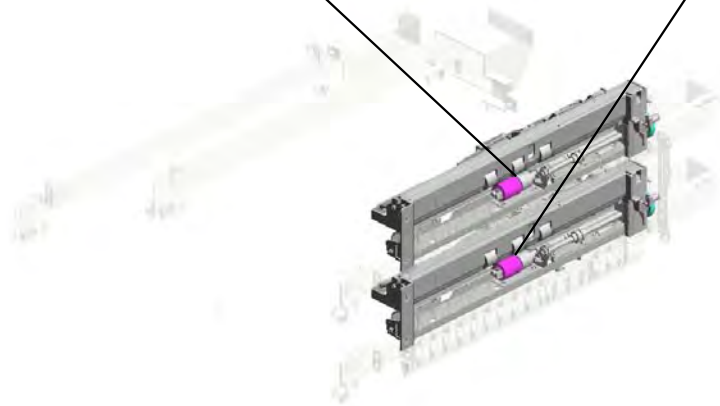
U001	U002	U003	U004	U005	U006	U007	U008	U009	U010	U011	U012	U013	U014	U015	U016	U017	U018	U019	U020	U021
------	------	------	------	------	------	------	------	------	------	------	------	------	------	------	------	------	------	------	------	------

U006.Paper Feed

U006_S001
D1442750
PAPER FEED UNIT:ASS'Y



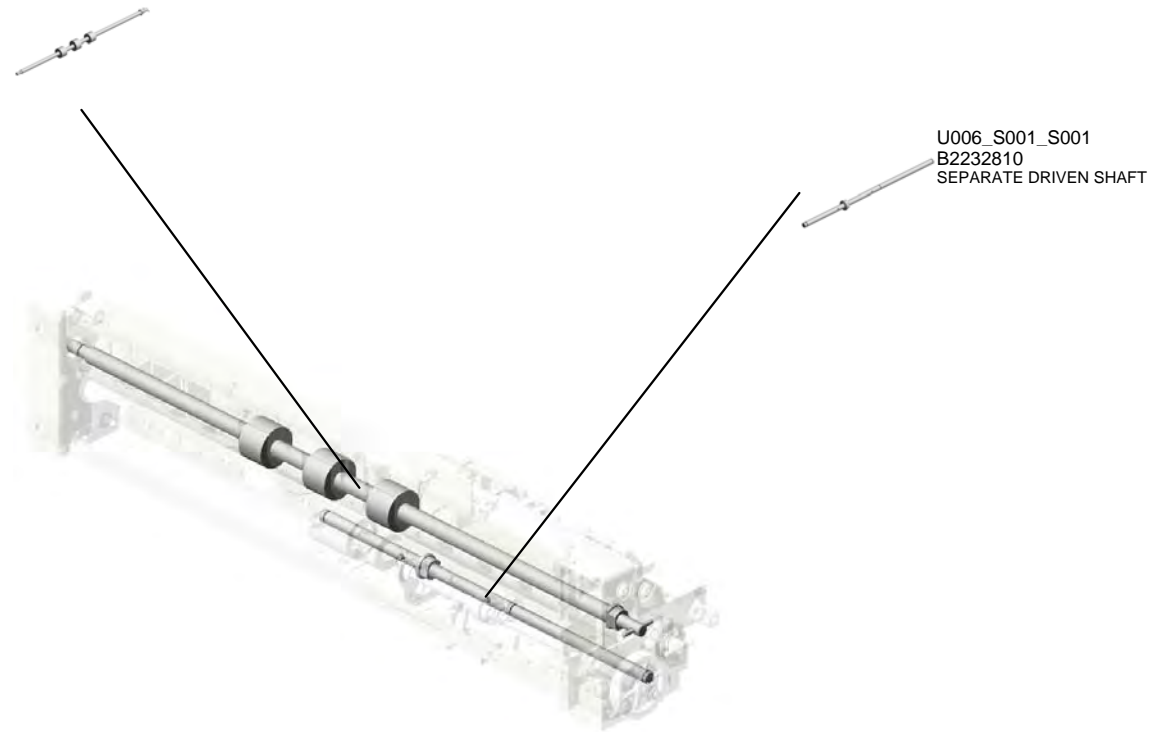
U006_S002
D1442750
PAPER FEED UNIT:ASS'Y



U001	U002	U003	U004	U005	U006	U007	U008	U009	U010	U011	U012	U013	U014	U015	U016	U017	U018	U019	U020	U021
------	------	------	------	------	-------------	------	------	------	------	------	------	------	------	------	------	------	------	------	------	------

U006_S001.PAPER FEED UNIT:ASS'Y

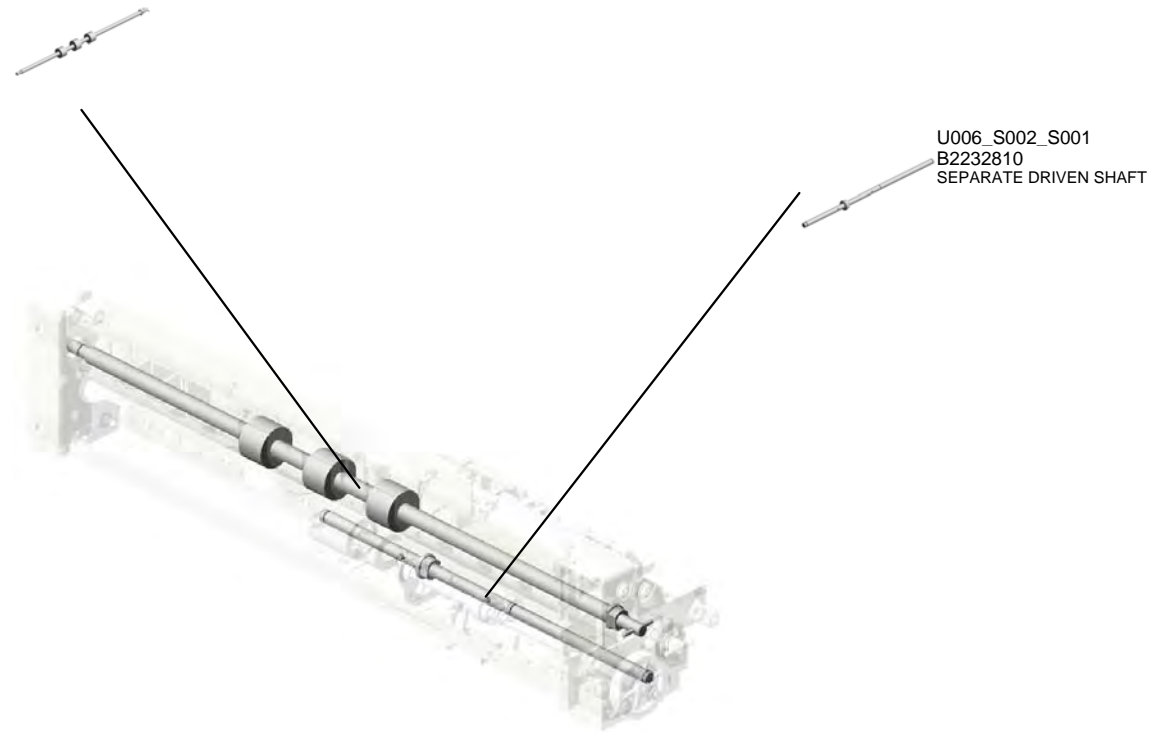
U006_S001_S002
D0092757
TRANSPORT ROLLER:DRIVE
:ASS'Y



U001	U002	U003	U004	U005	U006	U007	U008	U009	U010	U011	U012	U013	U014	U015	U016	U017	U018	U019	U020	U021
------	------	------	------	------	-------------	------	------	------	------	------	------	------	------	------	------	------	------	------	------	------

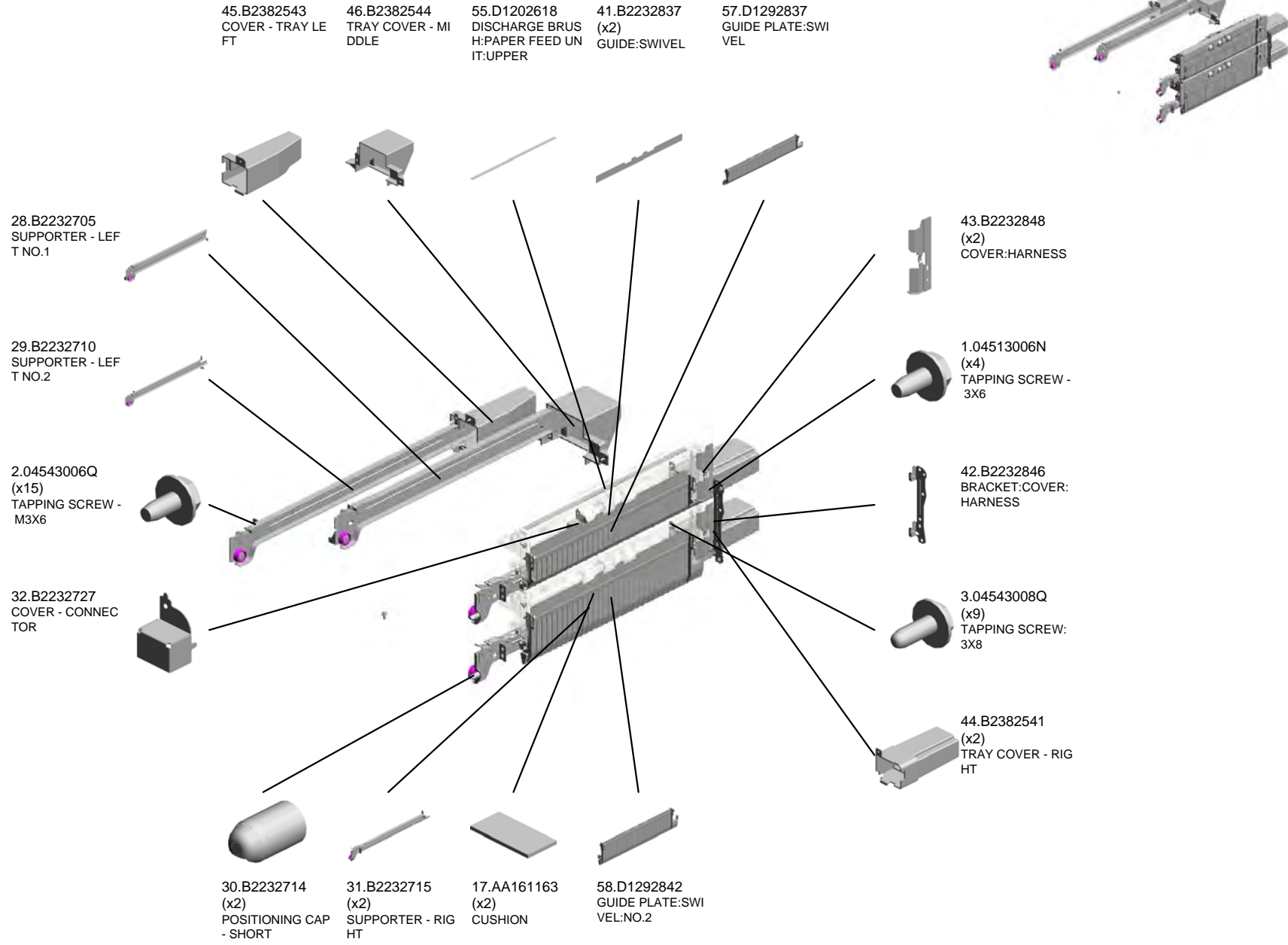
U006_S002.PAPER FEED UNIT:ASS'Y

U006_S002_S002
D0092757
TRANSPORT ROLLER:DRIVE
:ASS'Y

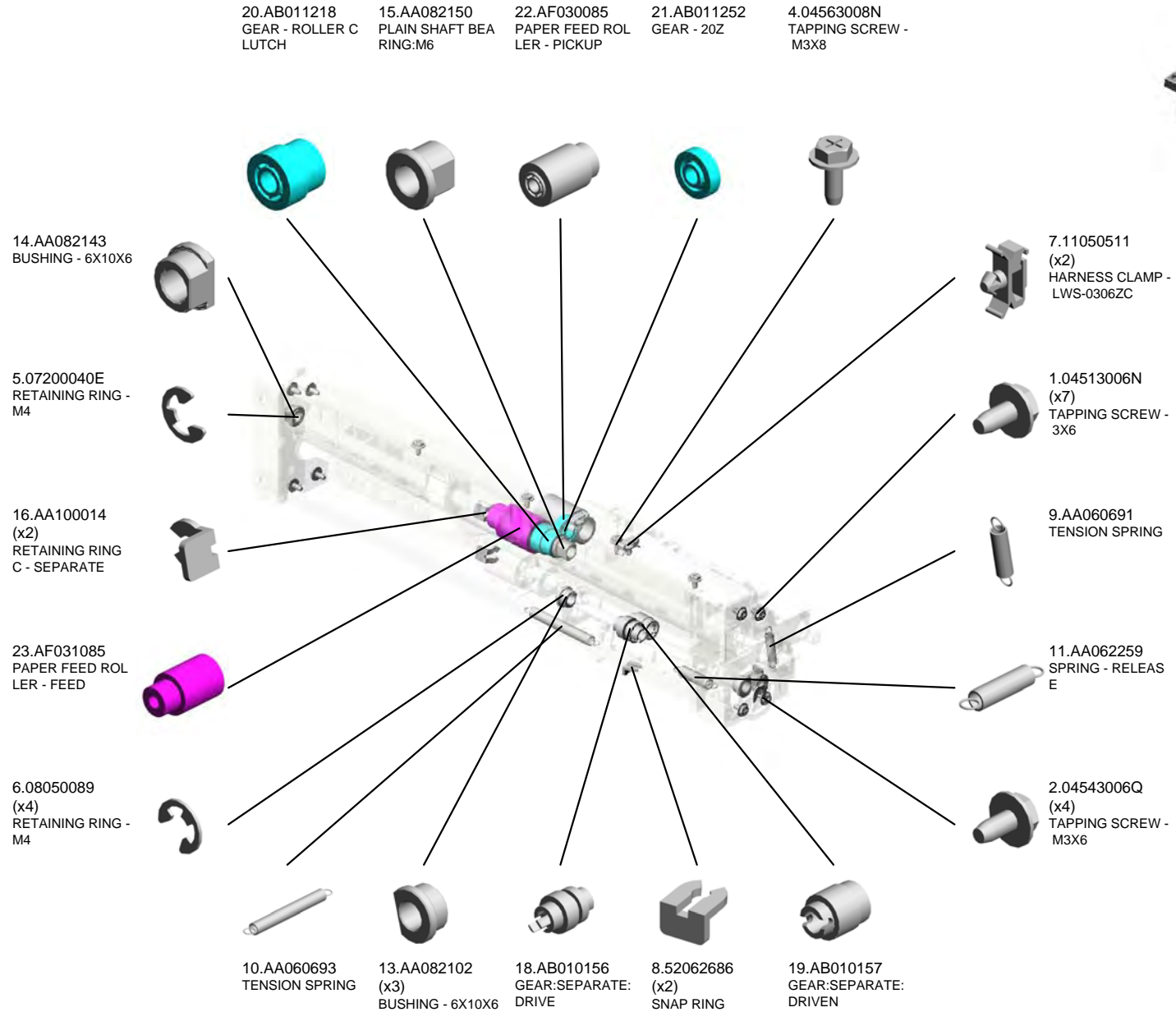
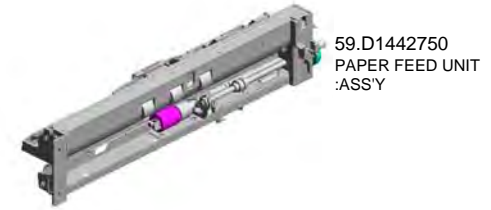


U001	U002	U003	U004	U005	U006	U007	U008	U009	U010	U011	U012	U013	U014	U015	U016	U017	U018	U019	U020	U021
------	------	------	------	------	-------------	------	------	------	------	------	------	------	------	------	------	------	------	------	------	------

U006 Paper Feed

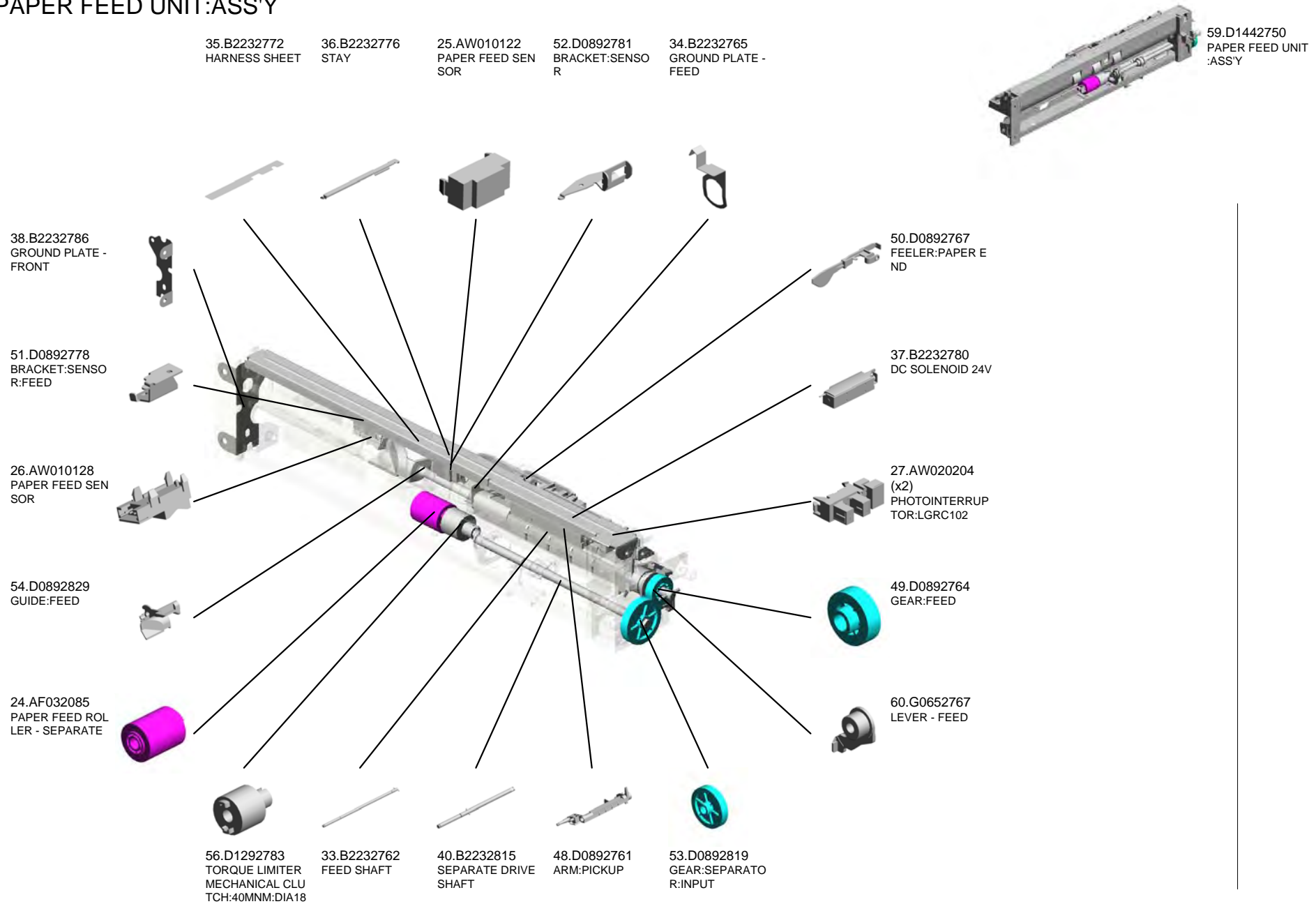


U006_S001 PAPER FEED UNIT:ASS'Y



U001	U002	U003	U004	U005	U006	U007	U008	U009	U010	U011	U012	U013	U014	U015	U016	U017	U018	U019	U020	U021
------	------	------	------	------	-------------	------	------	------	------	------	------	------	------	------	------	------	------	------	------	------

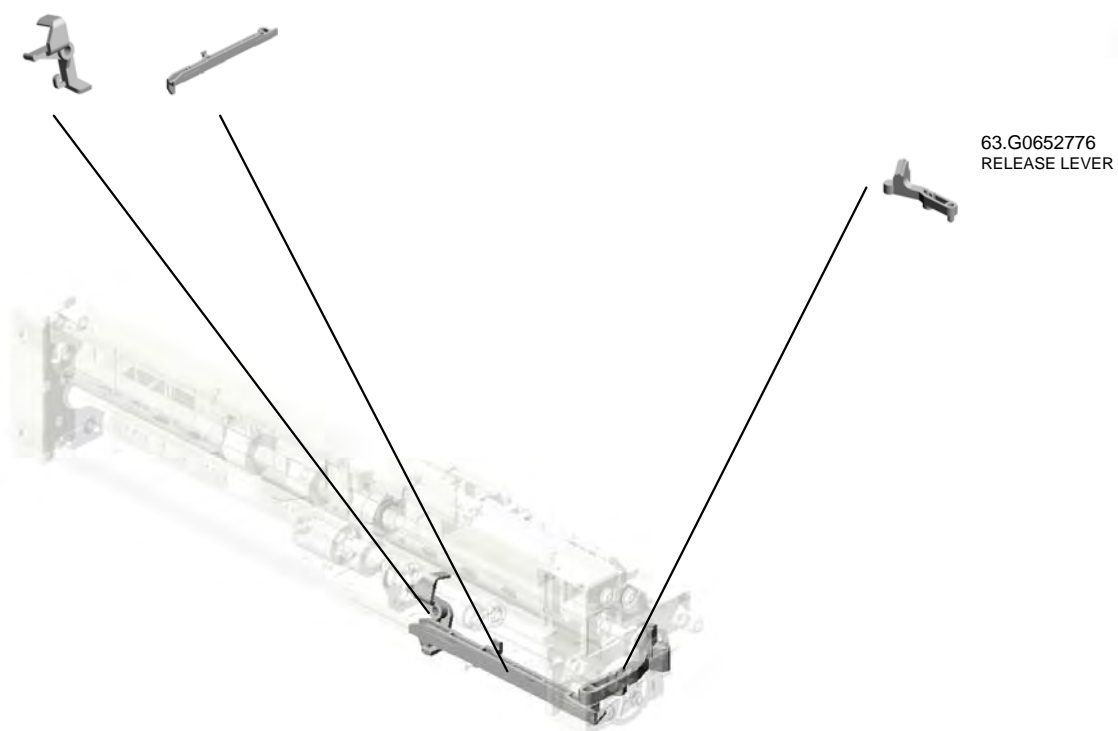
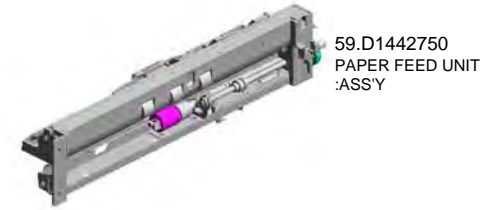
U006_S001 PAPER FEED UNIT:ASS'Y



U001	U002	U003	U004	U005	U006	U007	U008	U009	U010	U011	U012	U013	U014	U015	U016	U017	U018	U019	U020	U021
------	------	------	------	------	-------------	------	------	------	------	------	------	------	------	------	------	------	------	------	------	------

U006_S001
PAPER FEED UNIT:ASS'Y

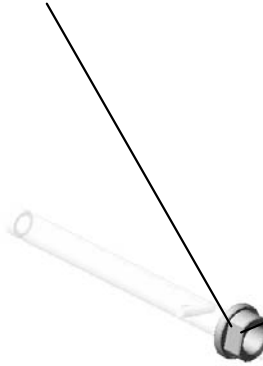
61.G0652774 62.G0652775
PRESSURE LEVER LINK LEVER



U001	U002	U003	U004	U005	U006	U007	U008	U009	U010	U011	U012	U013	U014	U015	U016	U017	U018	U019	U020	U021
------	------	------	------	------	-------------	------	------	------	------	------	------	------	------	------	------	------	------	------	------	------

U006_S001_S001
SEPARATE DRIVEN SHAFT

5.07200040E
RETAINING RING -
M4



12.AA082101
BUSHING - 6X10X6



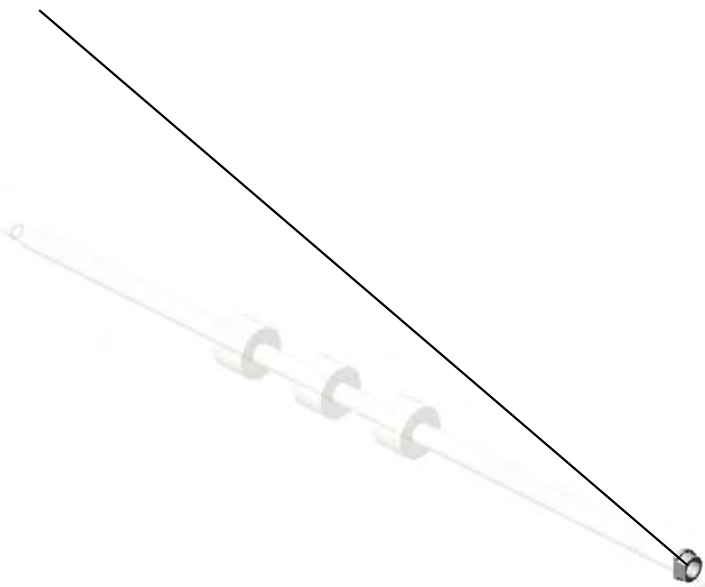
39.B2232810
SEPARATE DRIVE
N SHAFT



U001	U002	U003	U004	U005	U006	U007	U008	U009	U010	U011	U012	U013	U014	U015	U016	U017	U018	U019	U020	U021
------	------	------	------	------	-------------	------	------	------	------	------	------	------	------	------	------	------	------	------	------	------

U006_S001_S002
TRANSPORT ROLLER:DRIVE:ASS'Y

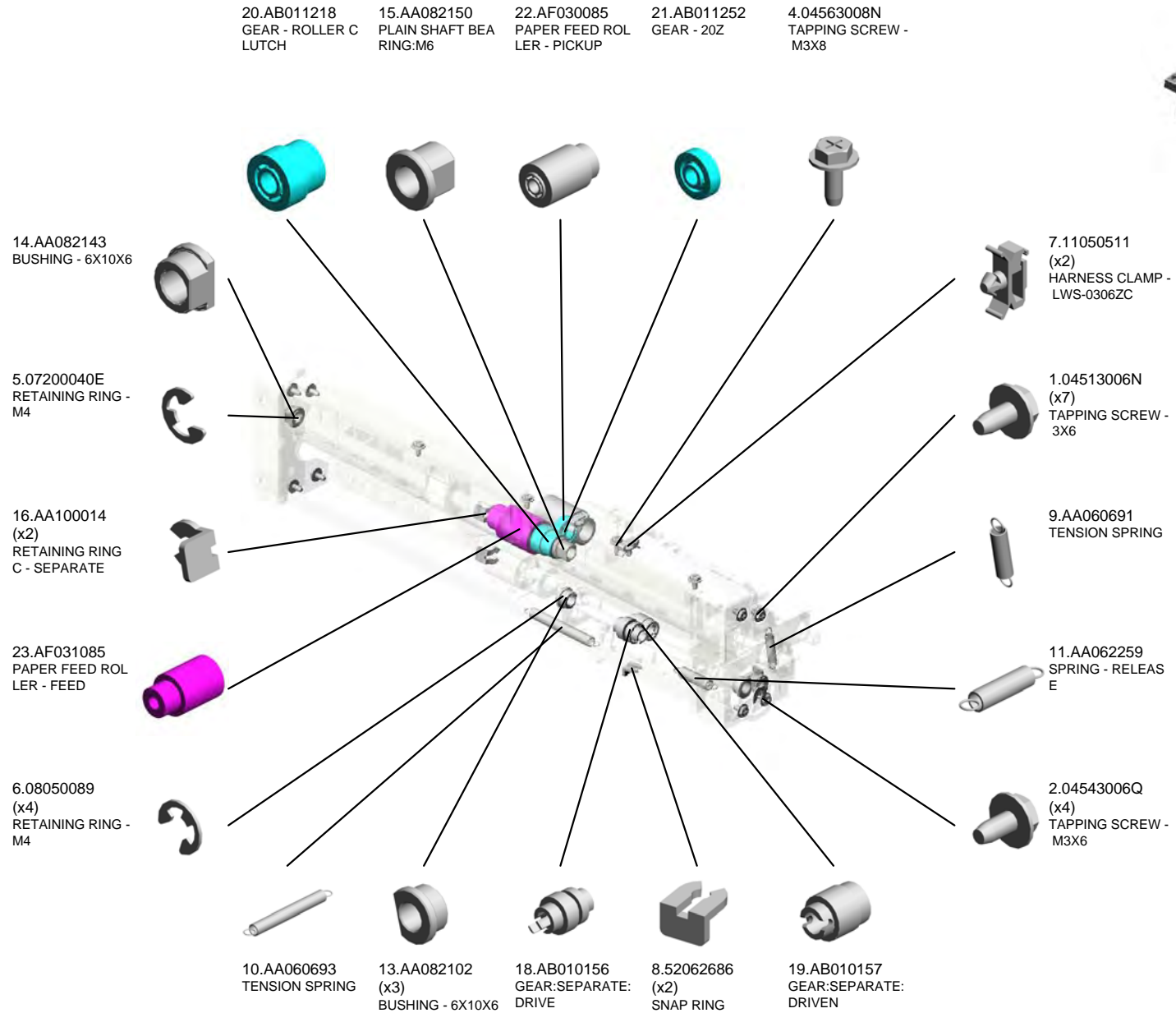
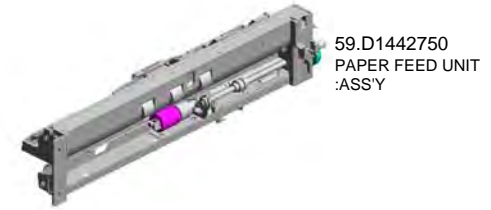
14.AA082143
BUSHING - 6X10X6



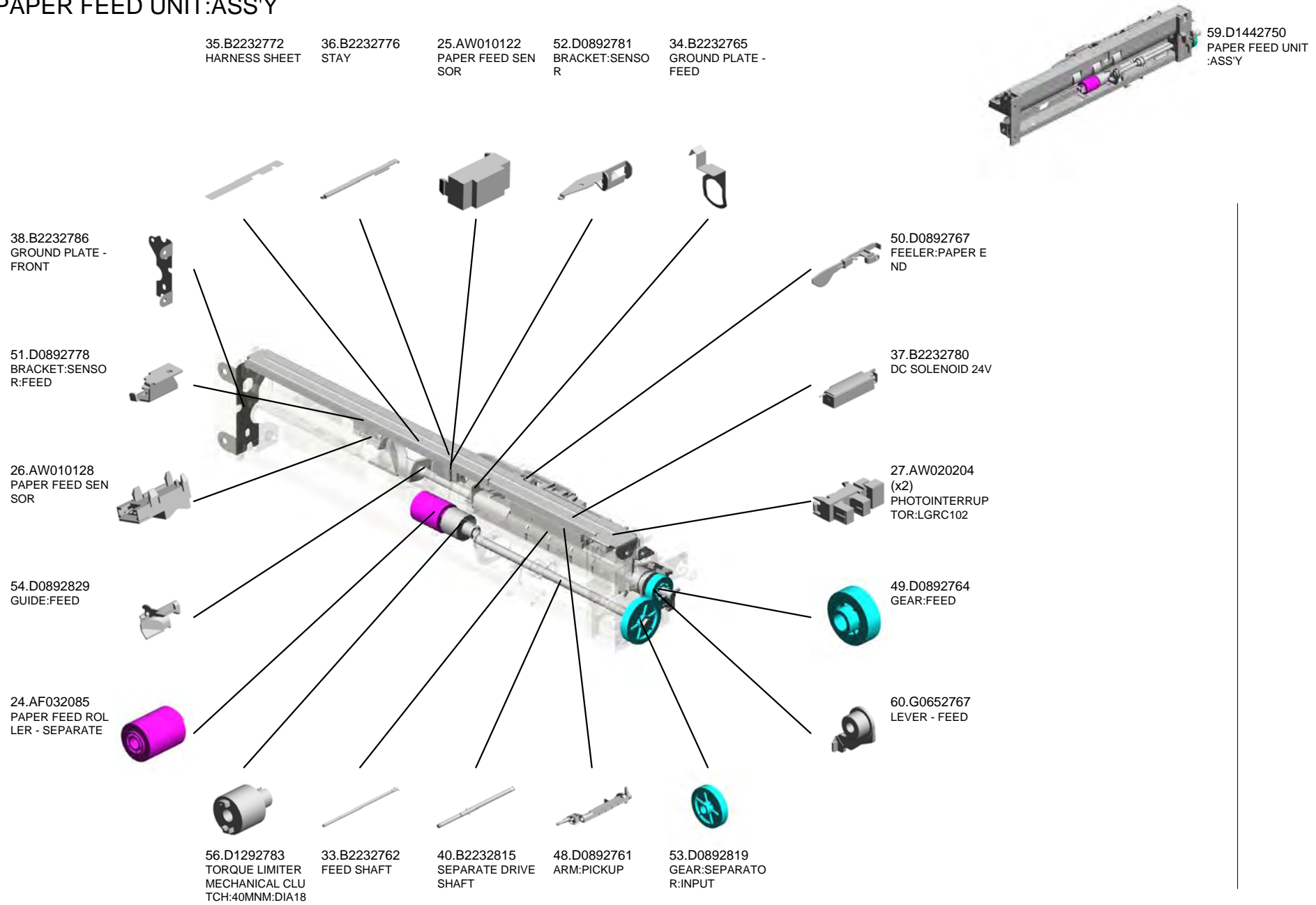
47.D0092757
TRANSPORT ROLL
ER:DRIVE:ASS'Y

U001	U002	U003	U004	U005	U006	U007	U008	U009	U010	U011	U012	U013	U014	U015	U016	U017	U018	U019	U020	U021
------	------	------	------	------	-------------	------	------	------	------	------	------	------	------	------	------	------	------	------	------	------

U006_S002 PAPER FEED UNIT:ASS'Y



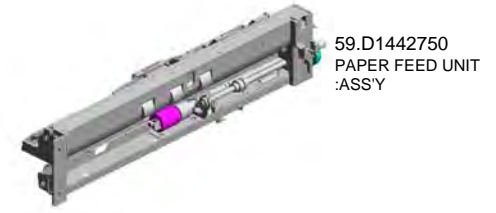
U006_S002 PAPER FEED UNIT:ASS'Y



U001	U002	U003	U004	U005	U006	U007	U008	U009	U010	U011	U012	U013	U014	U015	U016	U017	U018	U019	U020	U021
------	------	------	------	------	------	------	------	------	------	------	------	------	------	------	------	------	------	------	------	------

U006_S002
PAPER FEED UNIT:ASS'Y

61.G0652774 62.G0652775
PRESSURE LEVER LINK LEVER



59.D1442750
PAPER FEED UNIT
:ASS'Y

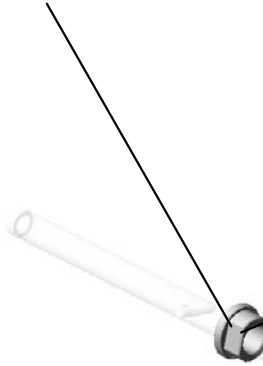


63.G0652776
RELEASE LEVER

U001	U002	U003	U004	U005	U006	U007	U008	U009	U010	U011	U012	U013	U014	U015	U016	U017	U018	U019	U020	U021
------	------	------	------	------	-------------	------	------	------	------	------	------	------	------	------	------	------	------	------	------	------

U006_S002_S001
SEPARATE DRIVEN SHAFT

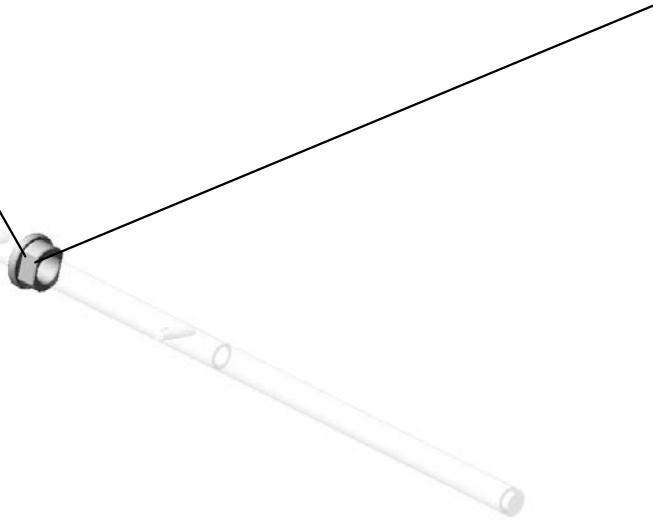
5.07200040E
RETAINING RING -
M4



39.B2232810
SEPARATE DRIVE
N SHAFT



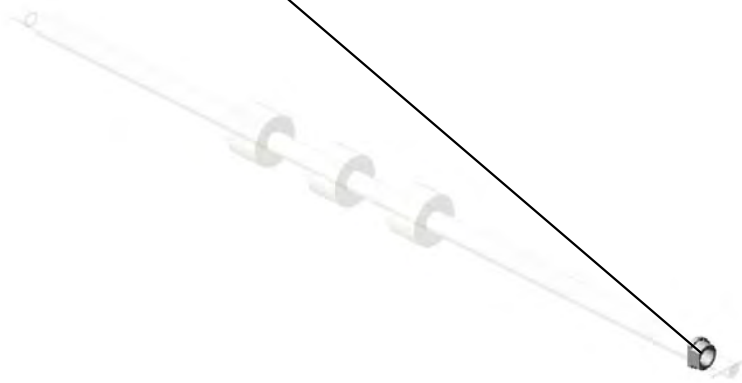
12.AA082101
BUSHING - 6X10X6



U001	U002	U003	U004	U005	U006	U007	U008	U009	U010	U011	U012	U013	U014	U015	U016	U017	U018	U019	U020	U021
------	------	------	------	------	-------------	------	------	------	------	------	------	------	------	------	------	------	------	------	------	------

U006_S002_S002
TRANSPORT ROLLER:DRIVE:ASS'Y

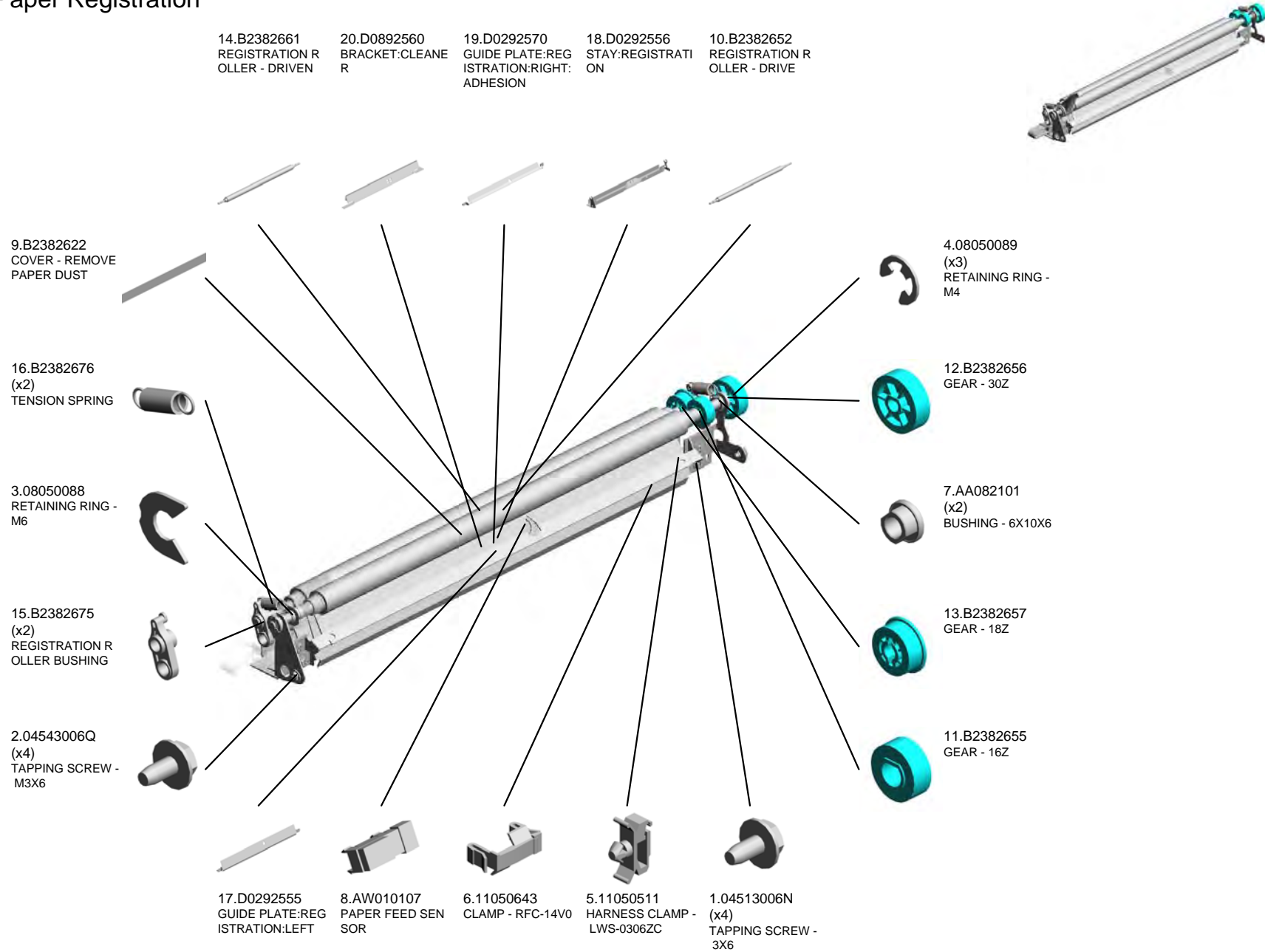
14.AA082143
BUSHING - 6X10X6



47.D0092757
TRANSPORT ROLL
ER:DRIVE:ASS'Y

U001	U002	U003	U004	U005	U006	U007	U008	U009	U010	U011	U012	U013	U014	U015	U016	U017	U018	U019	U020	U021
------	------	------	------	------	-------------	------	------	------	------	------	------	------	------	------	------	------	------	------	------	------

U007 Paper Registration



U001	U002	U003	U004	U005	U006	U007	U008	U009	U010	U011	U012	U013	U014	U015	U016	U017	U018	U019	U020	U021
------	------	------	------	------	------	------	------	------	------	------	------	------	------	------	------	------	------	------	------	------

U007 Paper Registration

21.D1442558
KNOB:REGISTRATI
ON ROLLER



22.D1442614
CASE:REMOVE PA
PER DUST



U001	U002	U003	U004	U005	U006	U007	U008	U009	U010	U011	U012	U013	U014	U015	U016	U017	U018	U019	U020	U021
------	------	------	------	------	------	-------------	------	------	------	------	------	------	------	------	------	------	------	------	------	------

U008.TONNER SUPPRY-1

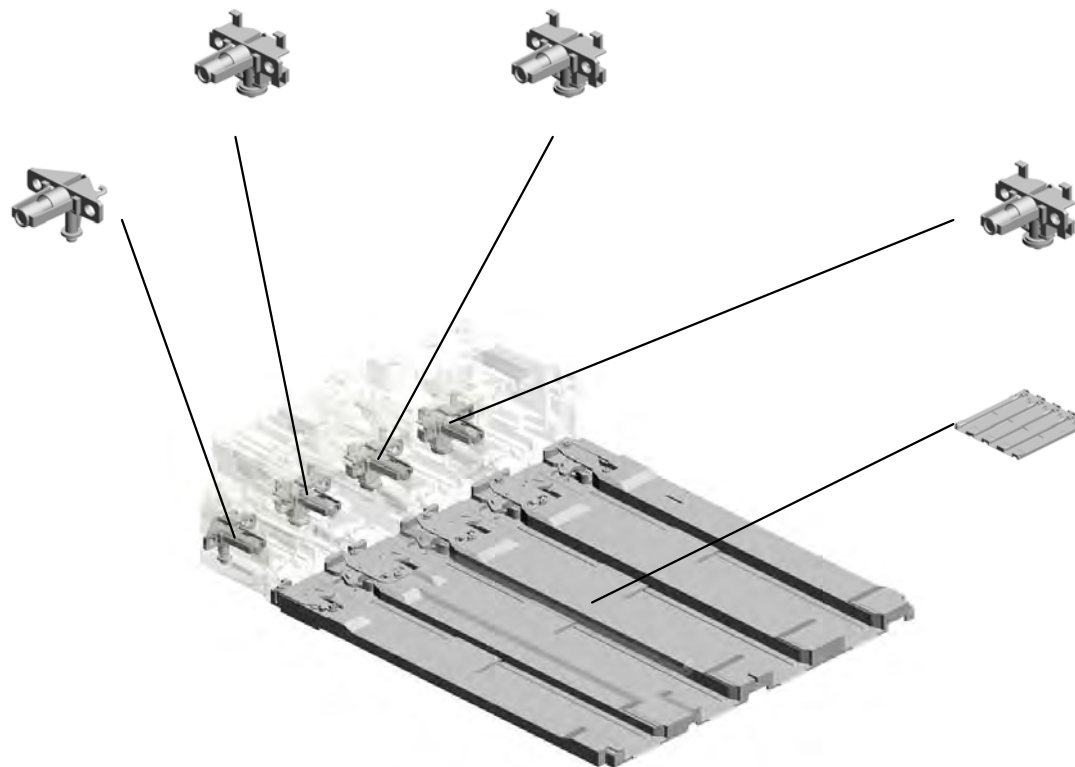
U008_S002
D0893205
NOZZLE:COLOR:ASS'Y

U008_S003
D0893205
NOZZLE:COLOR:ASS'Y

U008_S005
D0893286
NOZZLE:BK:ASS'Y

U008_S004
D0893205
NOZZLE:COLOR:ASS'Y

U008_S001
D0893304
BASE:TONER SUPPLY UNIT:
ASS'Y



U001	U002	U003	U004	U005	U006	U007	U008	U009	U010	U011	U012	U013	U014	U015	U016	U017	U018	U019	U020	U021
------	------	------	------	------	------	------	-------------	------	------	------	------	------	------	------	------	------	------	------	------	------

U008 TONNER SUPPRY-1



- 8.11050511 (x2) HARNESS CLAMP - LWS-0306ZC
- 18.B2233441 (x2) TIMING BELT: TONER BOTTLE
- 2.04503012N (x12) TAPPING SCREW: 3X12
- 20.B2233462 (x2) PULLEY: TONER BOTTLE: CM
- 23.D0293471 GASKET: RFID

19.B2233461 (x3) PULLEY: TONER BOTTLE: YC

22.B2233464 GEAR: MAGNETIC CLUTCH: Y

17.B2233428 (x4) SPRING: DRIVE UNIT: TONER BOTTLE

21.B2233463 (x4) GEAR: TONER BOTTLE: DRIVE

3.04513006N (x5) TAPPING SCREW - 3X6

5.04563010N (x11) TAPPING SCREW - M3X10

16.B2233334 (x4) HOLDER: STOPPER: SHUTTER: ASSY

11.AA082101 (x8) BUSHING - 6X10X6

6.07200040E (x17) RETAINING RING - M4

1.04503008N (x6) TAPPING SCREW - M3X8

9.11050683 (x4) CLAMP: LWSR-051 1S

10.11050723 (x2) CLAMPS: WES-050 7

7.11050508 HARNESS CLAMP - LWS-0711

15.B2233328 TONER CARTRIDGE GUIDE

4.04543006Q TAPPING SCREW - M3X6

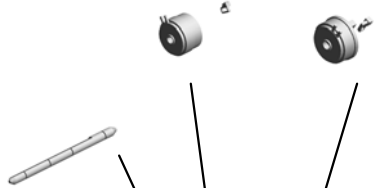
U008
TONNER SUPPRY-1

27.D0893407
MAGNETIC CLUTC
H:TONER BOTTLE:
BK:ASS'Y

28.D0893408
(x3)
MAGNETIC CLUTC
H:TONER BOTTLE:
YCM:ASS'Y



29.D0893424
SHAFT:DRIVE:DRI
VE UNIT:BK



31.D0893470
GROUND PLATE:R
FID



32.D1445119
PCB:BRB



30.D0893426
(x3)
SHAFT:DRIVE:DRI
VE UNIT:YCM



U001	U002	U003	U004	U005	U006	U007	U008	U009	U010	U011	U012	U013	U014	U015	U016	U017	U018	U019	U020	U021
------	------	------	------	------	------	------	------	------	------	------	------	------	------	------	------	------	------	------	------	------

U008_S001
BASE:TONER SUPPLY UNIT:ASS'Y

1.04503008N
(x10)
TAPPING SCREW -
M3X8



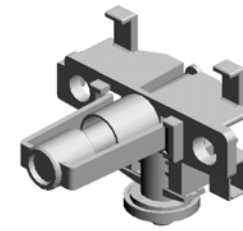
26.D0893304
BASE:TONER SUP
PLY UNIT:ASS'Y

U001	U002	U003	U004	U005	U006	U007	U008	U009	U010	U011	U012	U013	U014	U015	U016	U017	U018	U019	U020	U021
------	------	------	------	------	------	------	-------------	------	------	------	------	------	------	------	------	------	------	------	------	------

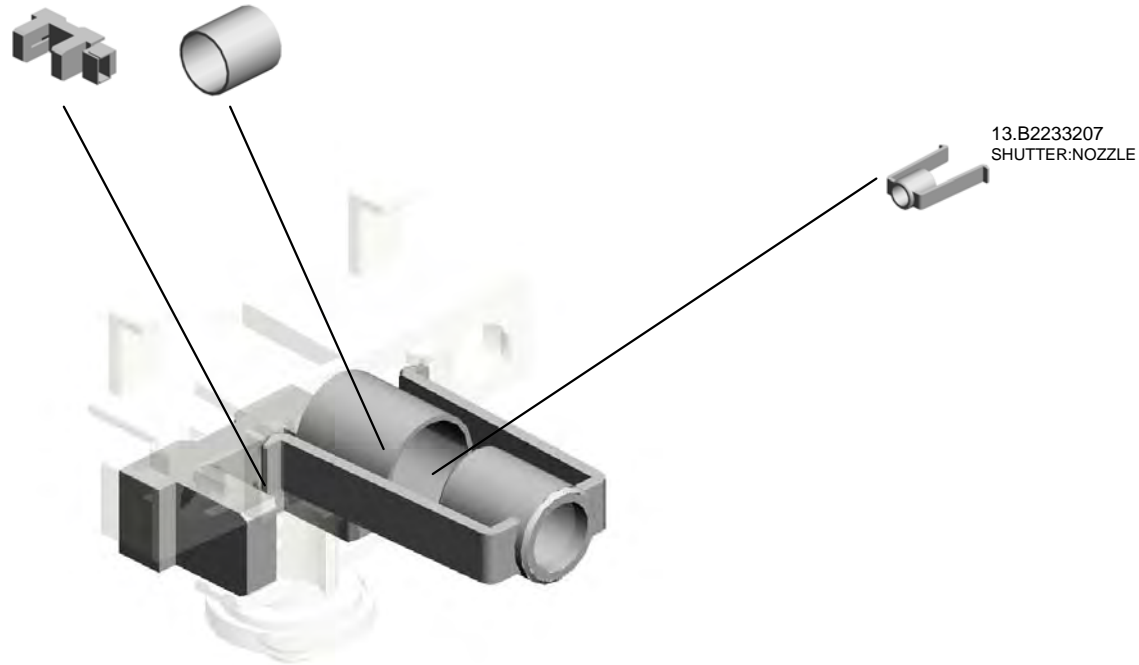
U008_S002
NOZZLE:COLOR:ASS'Y

12.AW020185
TONER END SENS
OR

14.B2233208
SPRING:SHUTTER:
NOZZLE



24.D0893205
NOZZLE:COLOR:A
SS'Y

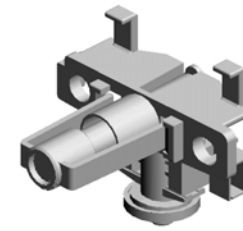


U001	U002	U003	U004	U005	U006	U007	U008	U009	U010	U011	U012	U013	U014	U015	U016	U017	U018	U019	U020	U021
------	------	------	------	------	------	------	-------------	------	------	------	------	------	------	------	------	------	------	------	------	------

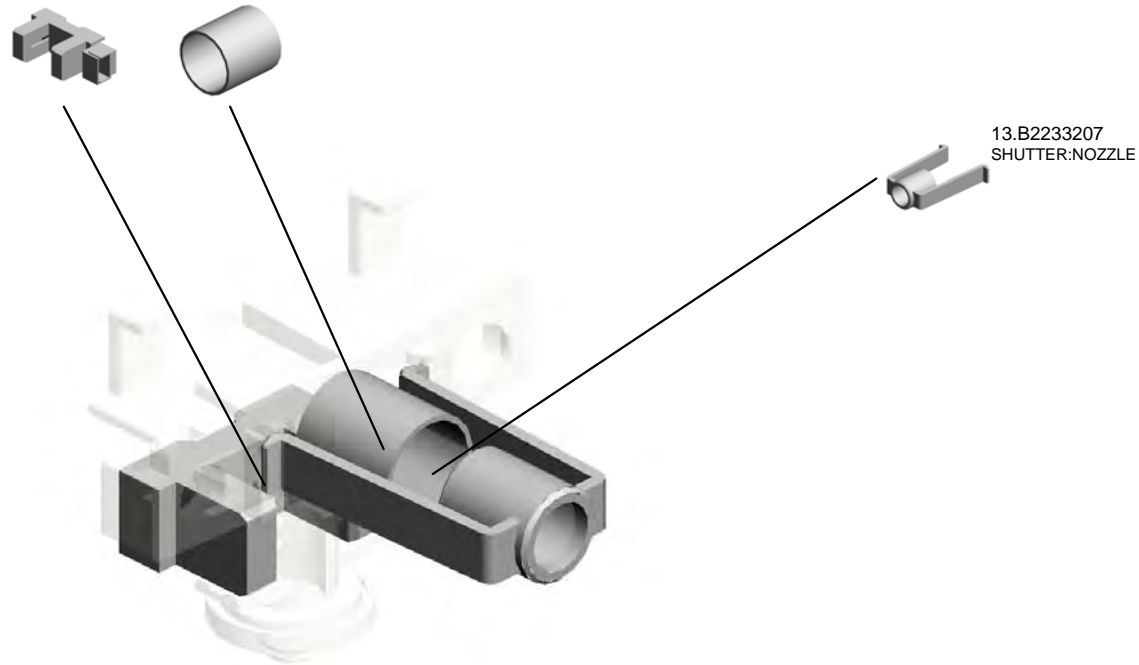
U008_S003
NOZZLE:COLOR:ASS'Y

12.AW020185
TONER END SENS
OR

14.B2233208
SPRING:SHUTTER:
NOZZLE



24.D0893205
NOZZLE:COLOR:A
SS'Y

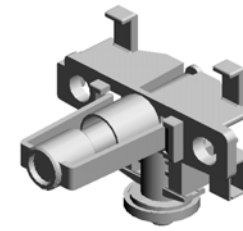


U001	U002	U003	U004	U005	U006	U007	U008	U009	U010	U011	U012	U013	U014	U015	U016	U017	U018	U019	U020	U021
------	------	------	------	------	------	------	-------------	------	------	------	------	------	------	------	------	------	------	------	------	------

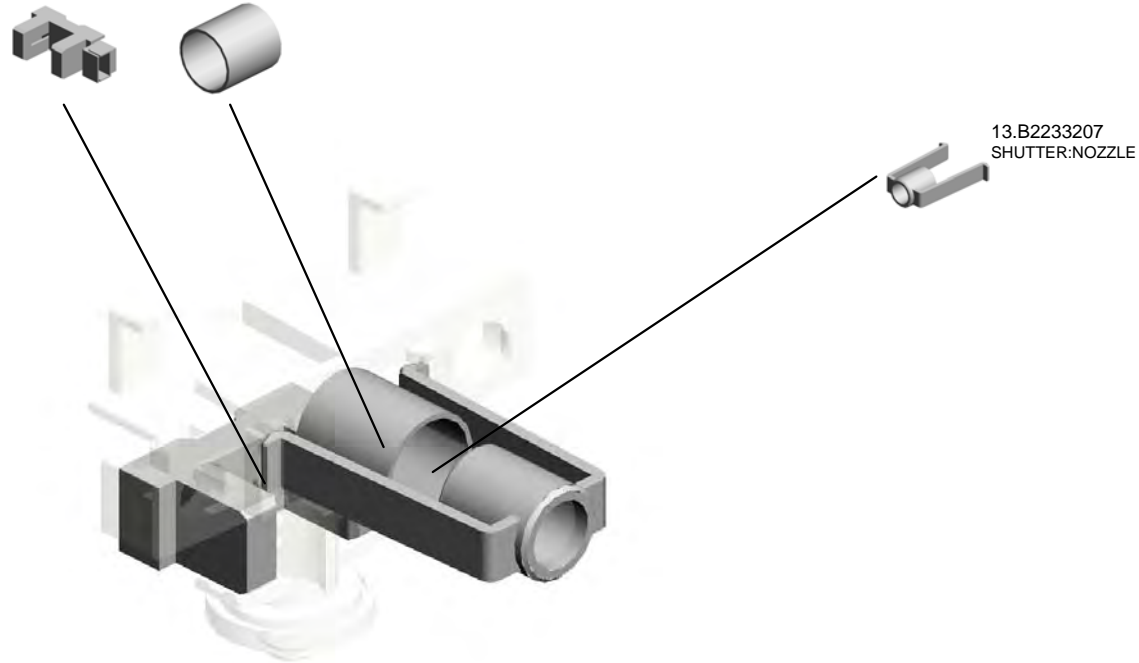
U008_S004
NOZZLE:COLOR:ASS'Y

12.AW020185
TONER END SENS
OR

14.B2233208
SPRING:SHUTTER:
NOZZLE



24.D0893205
NOZZLE:COLOR:A
SS'Y



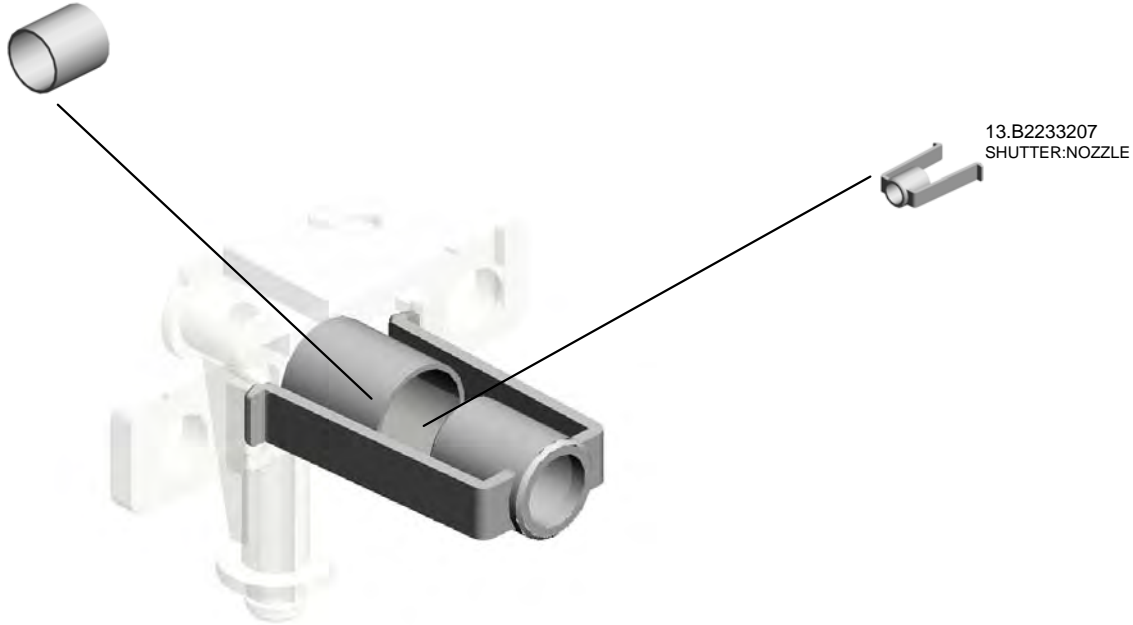
U001	U002	U003	U004	U005	U006	U007	U008	U009	U010	U011	U012	U013	U014	U015	U016	U017	U018	U019	U020	U021
------	------	------	------	------	------	------	-------------	------	------	------	------	------	------	------	------	------	------	------	------	------

U008_S005
NOZZLE: BK: ASS'Y

14.B2233208
SPRING: SHUTTER:
NOZZLE



25.D0893286
NOZZLE: BK: ASS'Y



13.B2233207
SHUTTER: NOZZLE

U001	U002	U003	U004	U005	U006	U007	U008	U009	U010	U011	U012	U013	U014	U015	U016	U017	U018	U019	U020	U021
------	------	------	------	------	------	------	-------------	------	------	------	------	------	------	------	------	------	------	------	------	------

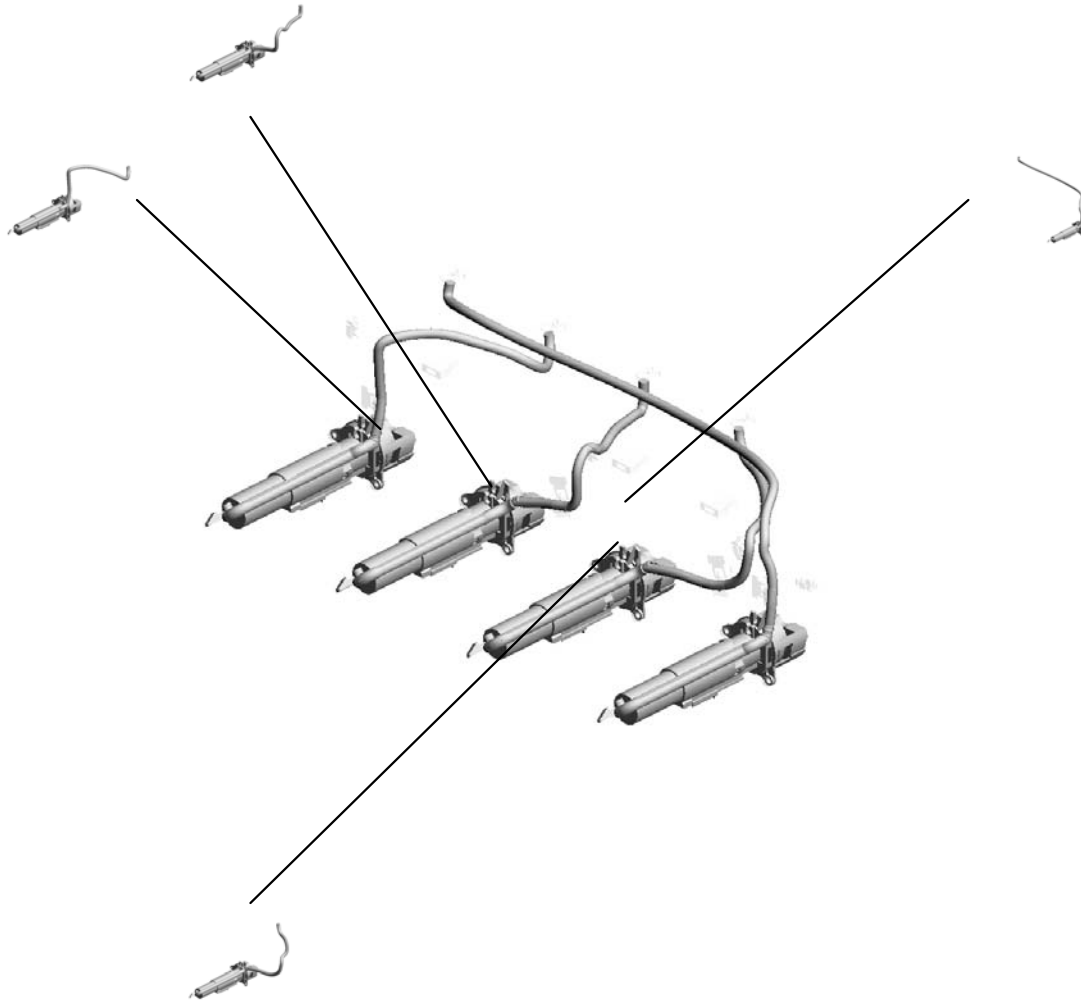
U009.TONNER SUPPLY-2

U009_S003
D1443223
PUMP UNIT:C:ASSY

U009_S002
D1443222
PUMP UNIT:Y:ASSY

U009_S001
D1443221
PUMP UNIT:BK:ASSY

U009_S004
D1443224
PUMP UNIT:M:ASSY



U001	U002	U003	U004	U005	U006	U007	U008	U009	U010	U011	U012	U013	U014	U015	U016	U017	U018	U019	U020	U021
------	------	------	------	------	------	------	------	------	------	------	------	------	------	------	------	------	------	------	------	------

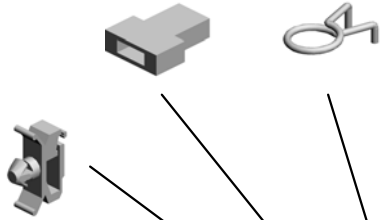
U009
TONNER SUPPLY-2

3.11026245 (x3)
RELAY CONNECT OR - 2P

6.B2233209 (x4)
TUBE CLIP



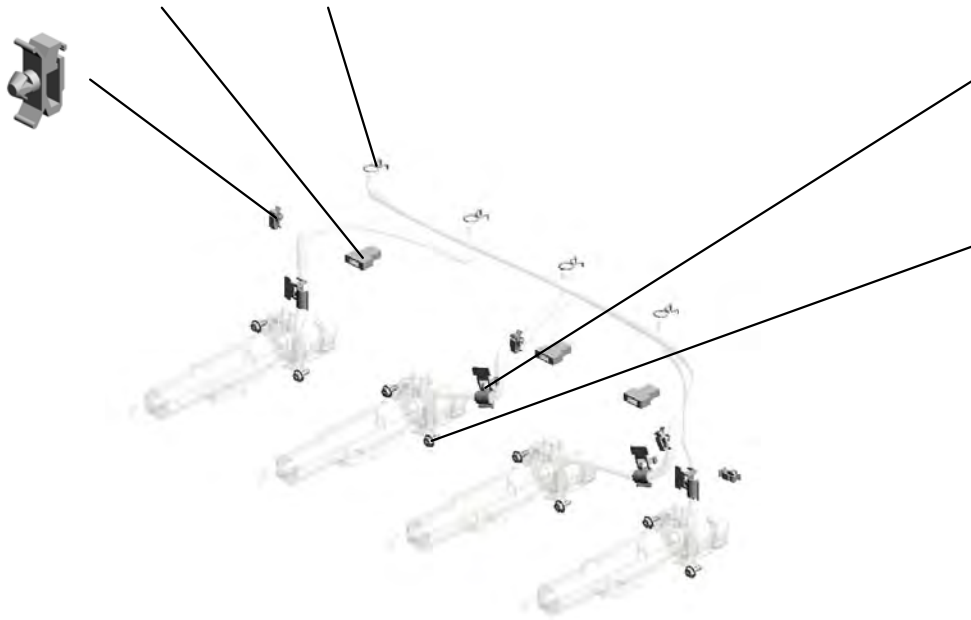
4.11050511 (x4)
HARNESS CLAMP - LWS-0306ZC



5.B2233206 (x4)
TUBE CLAMP

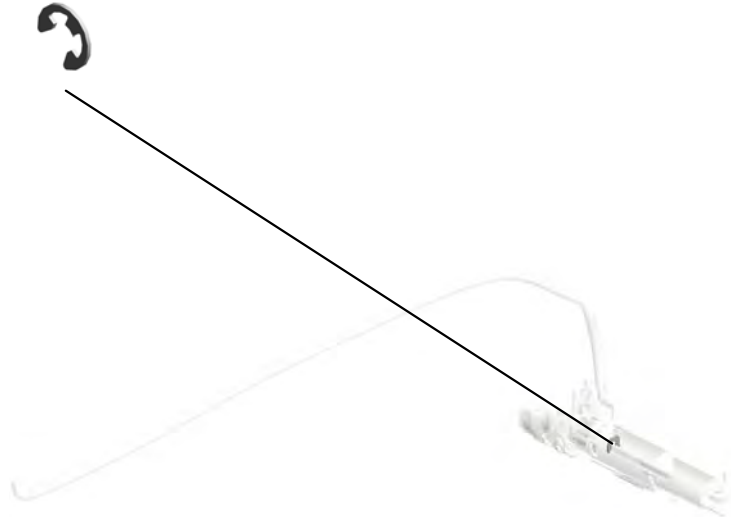


1.04513008N (x8)
TAPPING SCREW - M3X8



U009_S001
PUMP UNIT: BK: ASS'Y

2.08050089
RETAINING RING -
M4



7.D1443221
PUMP UNIT: BK: AS
SY

U001	U002	U003	U004	U005	U006	U007	U008	U009	U010	U011	U012	U013	U014	U015	U016	U017	U018	U019	U020	U021
------	------	------	------	------	------	------	------	------	------	------	------	------	------	------	------	------	------	------	------	------

U009_S002
PUMP UNIT:Y:ASS'Y

2.08050089
RETAINING RING -
M4

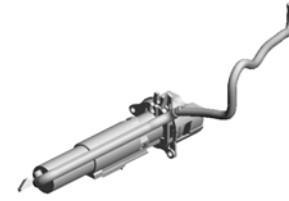


8.D1443222
PUMP UNIT:Y:ASS'
Y

U001	U002	U003	U004	U005	U006	U007	U008	U009	U010	U011	U012	U013	U014	U015	U016	U017	U018	U019	U020	U021
------	------	------	------	------	------	------	------	------	------	------	------	------	------	------	------	------	------	------	------	------

U009_S003
PUMP UNIT:C:ASS'Y

2.08050089
RETAINING RING -
M4



9.D1443223
PUMP UNIT:C:ASS'
Y

U001	U002	U003	U004	U005	U006	U007	U008	U009	U010	U011	U012	U013	U014	U015	U016	U017	U018	U019	U020	U021
------	------	------	------	------	------	------	------	-------------	------	------	------	------	------	------	------	------	------	------	------	------

U009_S004
PUMP UNIT:M:ASS'Y

2.08050089
RETAINING RING -
M4



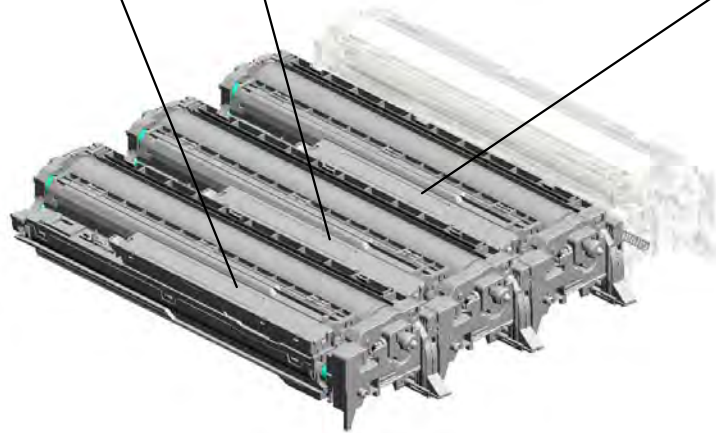
10.D1443224
PUMP UNIT:M:ASS'
Y



U001	U002	U003	U004	U005	U006	U007	U008	U009	U010	U011	U012	U013	U014	U015	U016	U017	U018	U019	U020	U021
------	------	------	------	------	------	------	------	------	------	------	------	------	------	------	------	------	------	------	------	------

U010
PCU

3.M1252041 1.M1252039
PCU:Y:EXP:ASS'Y PCU:M:EXP:ASS'Y

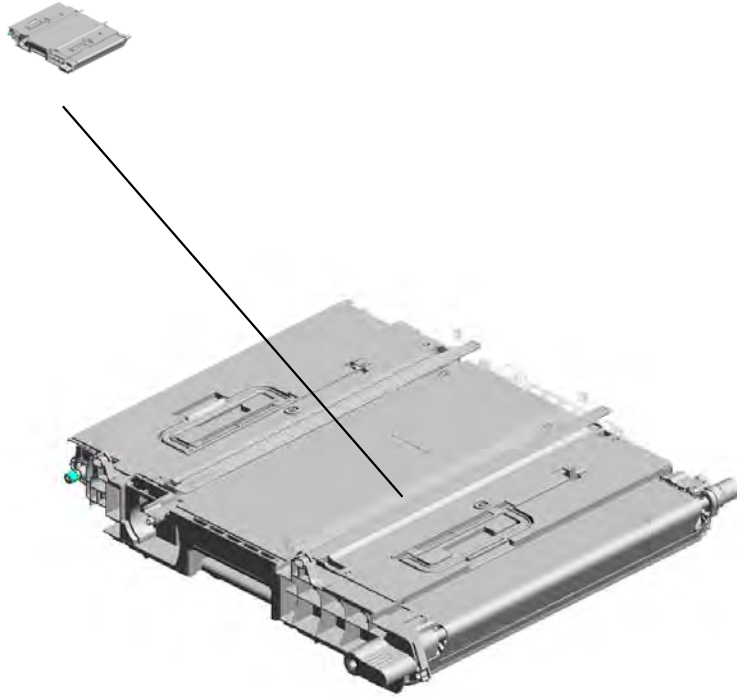


2.M1252040
PCU:C:EXP:ASS'Y

U001	U002	U003	U004	U005	U006	U007	U008	U009	U010	U011	U012	U013	U014	U015	U016	U017	U018	U019	U020	U021
------	------	------	------	------	------	------	------	------	------	------	------	------	------	------	------	------	------	------	------	------

U011.ITB UNIT

U011_S001
M1256012
TRANSFER UNIT:INTERMEDI
ATE TRANSFER:EXP:ASS'Y



U001	U002	U003	U004	U005	U006	U007	U008	U009	U010	U011	U012	U013	U014	U015	U016	U017	U018	U019	U020	U021
------	------	------	------	------	------	------	------	------	------	------	------	------	------	------	------	------	------	------	------	------

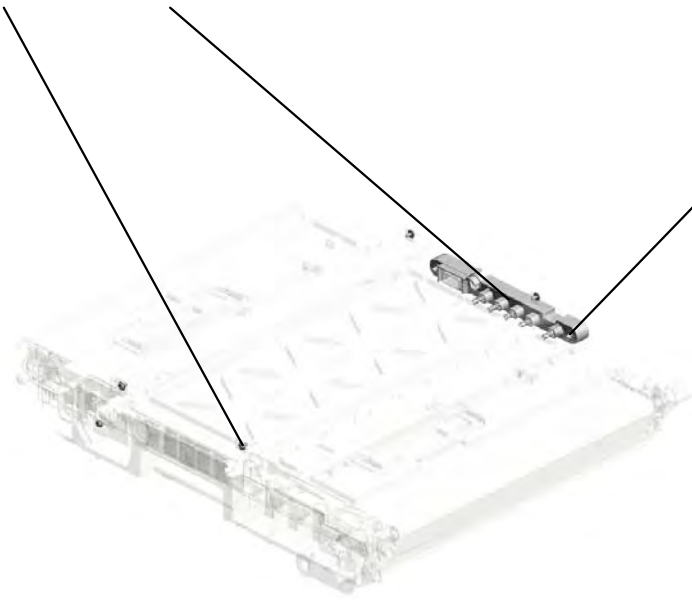
U011
ITB UNIT

3.04543006Q
(x5)
TAPPING SCREW -
M3X6

8.B2236140
DRAWER:INTERM
EDIATE TRANSFE
R:ASSY



2.04513006N
(x2)
TAPPING SCREW -
3X6



U011_S001
 TRANSFER UNIT:INTERMEDIATE TRANSFER:EXP:ASS'Y

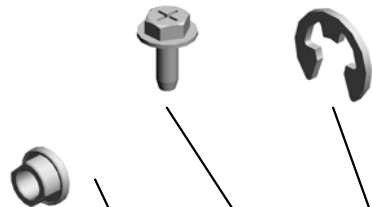
4.04563008N (x42)
 TAPPING SCREW - M3X8

5.07200030E
 RETAINING RING - M3



9.M1256012
 TRANSFER UNIT:IN
 TERMEDIATE TRA
 NSFER:EXP:ASS'Y

7.AA082101
 (x2)
 BUSHING - 6X10X6



2.04513006N
 (x5)
 TAPPING SCREW - 3X6



6.07200040E
 (x2)
 RETAINING RING - M4



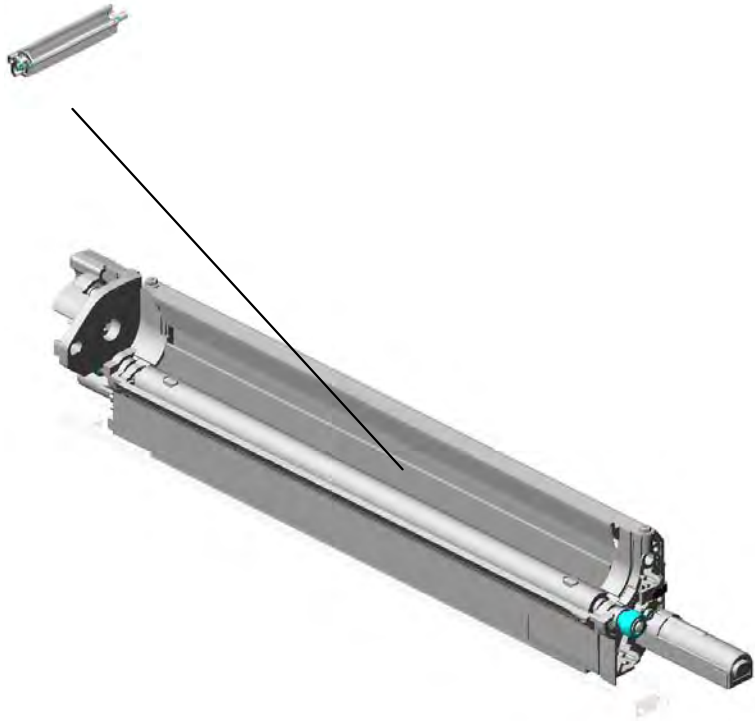
1.03530080N
 (x5)
 SCREW:M3X8



U001	U002	U003	U004	U005	U006	U007	U008	U009	U010	U011	U012	U013	U014	U015	U016	U017	U018	U019	U020	U021
------	------	------	------	------	------	------	------	------	------	------	------	------	------	------	------	------	------	------	------	------

U012.ITB CLEANING

U012_S001
D1440622
CLEANING UNIT:INTERMEDI
ATE TRANSFER:C3:ASS'Y



U001	U002	U003	U004	U005	U006	U007	U008	U009	U010	U011	U012	U013	U014	U015	U016	U017	U018	U019	U020	U021
------	------	------	------	------	------	------	------	------	------	------	------	------	------	------	------	------	------	------	------	------

U012
ITB CLEANING

4.B2236198
CLEANING UNIT R
AIL



U001	U002	U003	U004	U005	U006	U007	U008	U009	U010	U011	U012	U013	U014	U015	U016	U017	U018	U019	U020	U021
------	------	------	------	------	------	------	------	------	------	------	------	------	------	------	------	------	------	------	------	------

U012_S001

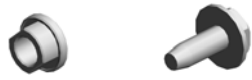
CLEANING UNIT:INTERMEDIATE TRANSFER:C3:ASS'Y

3.AA082101
(x3)
BUSHING - 6X10X6

1.04503008N
(x5)
TAPPING SCREW -
M3X8



5.D1440622
CLEANING UNIT:IN
TERMEDIATE TRA
NSFER:C3:ASS'Y



2.07200040E
RETAINING RING -
M4

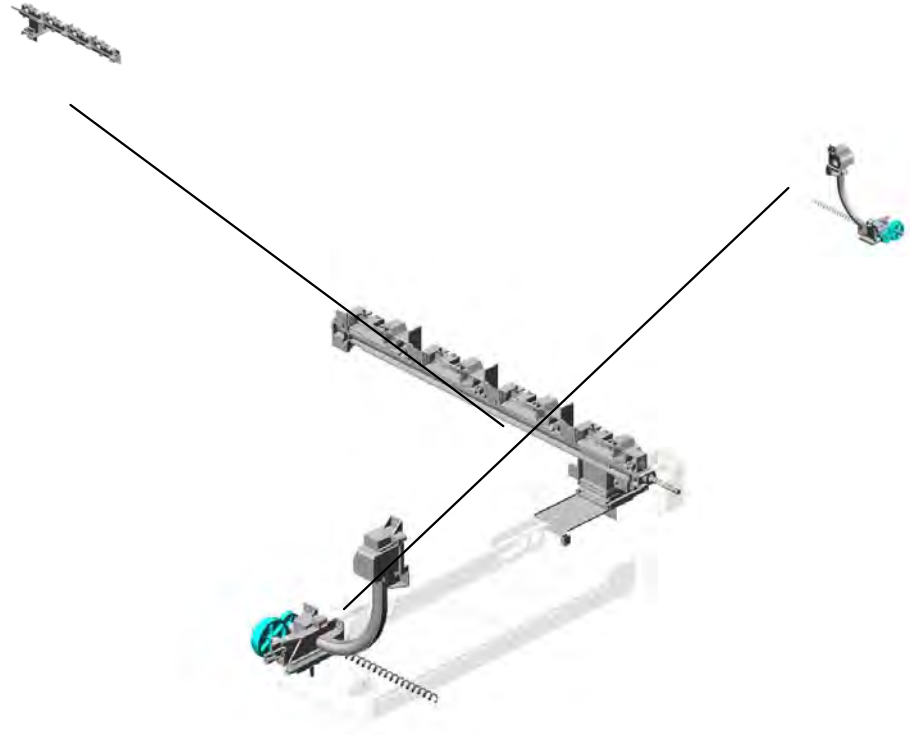


U001	U002	U003	U004	U005	U006	U007	U008	U009	U010	U011	U012	U013	U014	U015	U016	U017	U018	U019	U020	U021
------	------	------	------	------	------	------	------	------	------	------	------	------	------	------	------	------	------	------	------	------

U013.USED TONER-1

U013_S002
M1256540
PIPE:FRONT:ASS'Y

U013_S001
D0896481
PIPE:REAR:ASS'Y



U001	U002	U003	U004	U005	U006	U007	U008	U009	U010	U011	U012	U013	U014	U015	U016	U017	U018	U019	U020	U021
------	------	------	------	------	------	------	------	------	------	------	------	------	------	------	------	------	------	------	------	------

U013 USED TONER-1

10.B2236467
(x4)
LEVER BRACKET

14.B2236474
GEAR - 29Z

16.B2236476
(x2)
BUSHING - DIA5

3.04513016N
(x2)
TAPPING SCREW -
3X16

13.B2236473
TRANSPORT SCR
EW SHAFT

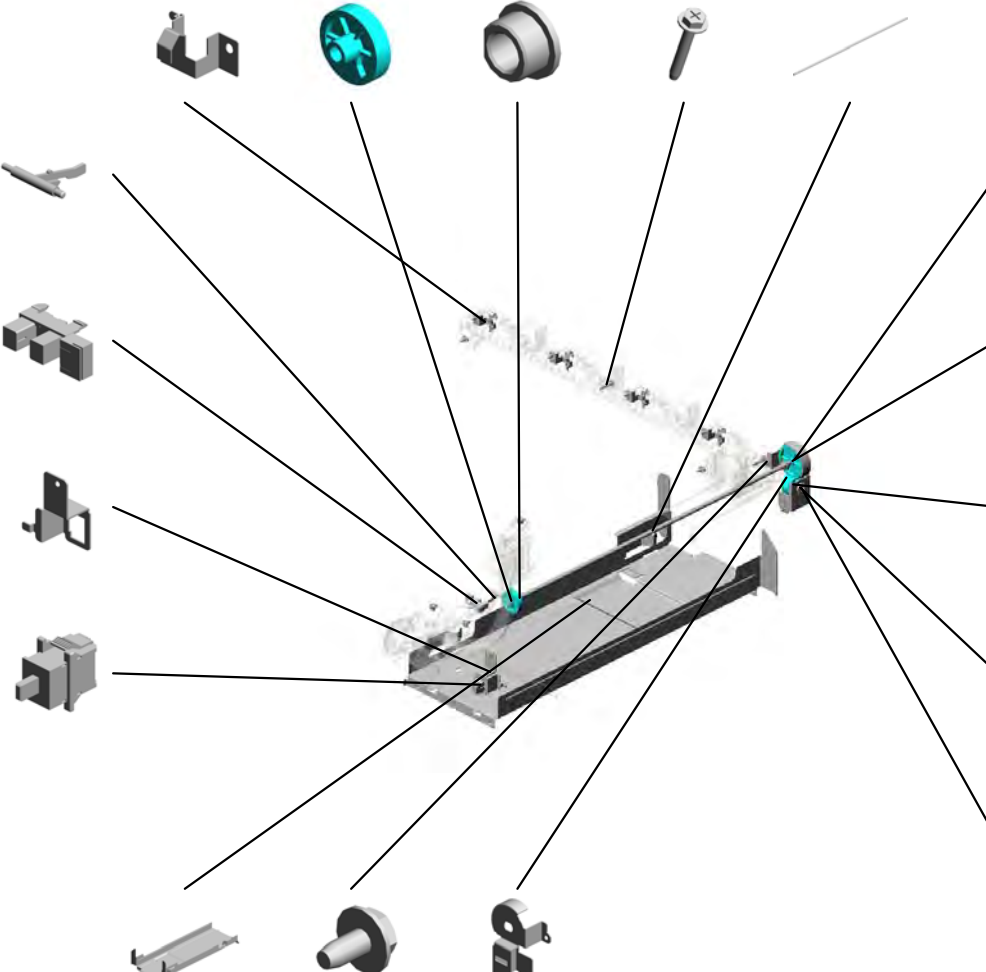


17.B2236503
USED TONER SEN
SOR FEELER

6.AW020160
PAPER FEED SEN
SOR

18.B2236507
SET SENSOR BRA
CKET

7.AW500023
PUSH SWITCH



15.B2236475
BUSHING - 5X 10X
2.5

12.B2236472
GEAR - 21Z

8.B2236463
GEAR - 20Z

9.B2236464
BUSHING - 6X10X6

5.08050089
(x2)
RETAINING RING -
M4

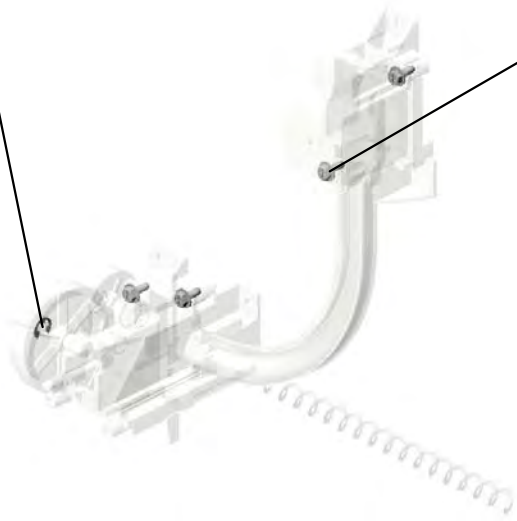
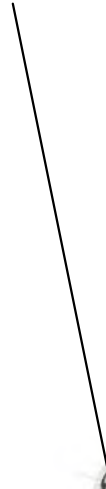
20.G1336496
RAIL:COLLECTION
BOTTLE

2.04513006N
(x14)
TAPPING SCREW -
3X6

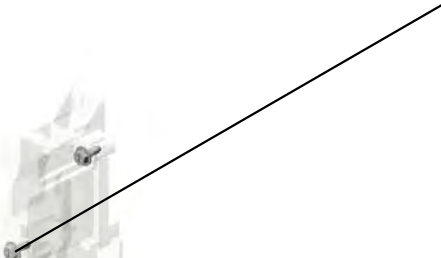
11.B2236471
TRANSPORT SCR
EW BRACKET

U013_S001
PIPE:REAR:ASS'Y

4.07200040E
RETAINING RING -
M4



1.04503010N
(x4)
TAPPING SCREW -
M3X10

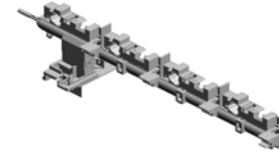


19.D0896481
PIPE:REAR:ASS'Y

U001	U002	U003	U004	U005	U006	U007	U008	U009	U010	U011	U012	U013	U014	U015	U016	U017	U018	U019	U020	U021
------	------	------	------	------	------	------	------	------	------	------	------	------	------	------	------	------	------	------	------	------

U013_S002
PIPE:FRONT:ASS'Y

9.B2236464
BUSHING - 6X10X6



21.M1256540
PIPE:FRONT:ASS'Y



U001	U002	U003	U004	U005	U006	U007	U008	U009	U010	U011	U012	U013	U014	U015	U016	U017	U018	U019	U020	U021
------	------	------	------	------	------	------	------	------	------	------	------	------	------	------	------	------	------	------	------	------

U014
USED TONER-2

1.04503008N
TAPPING SCREW -
M3X8

2.08050088
RETAINING RING -
M6



3.08050092
(x2)
RETAINING RING -
3M

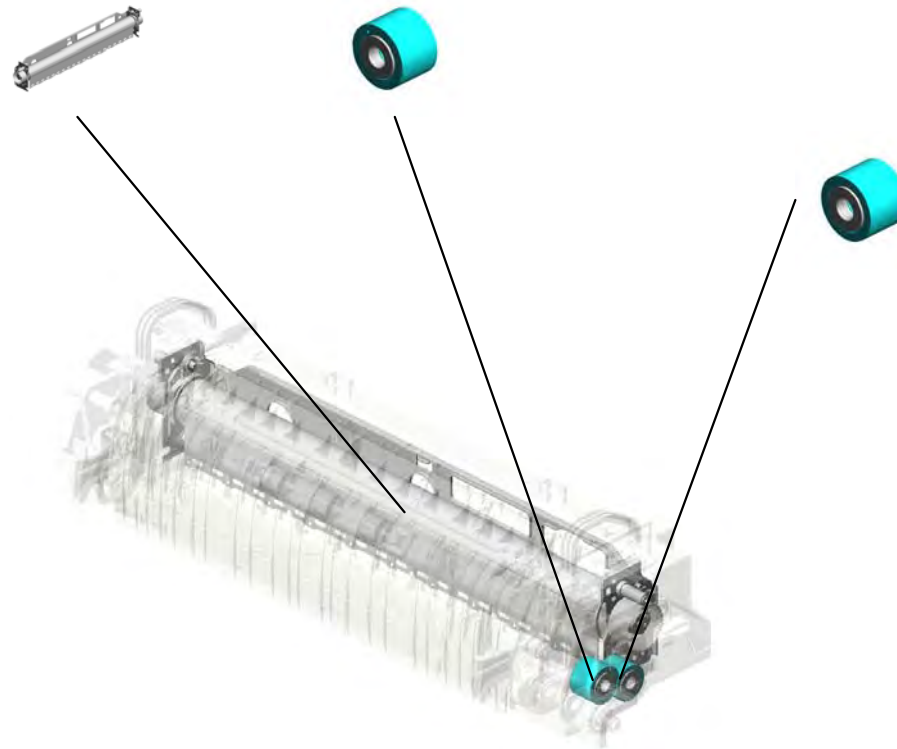


U015.FUSING-1

U015_S003
M1254081
SLEEVE:FUSING:NA:ASS'Y

U015_S002
AB014339
GEAR:IDLER:PRESSURE RO
LLER

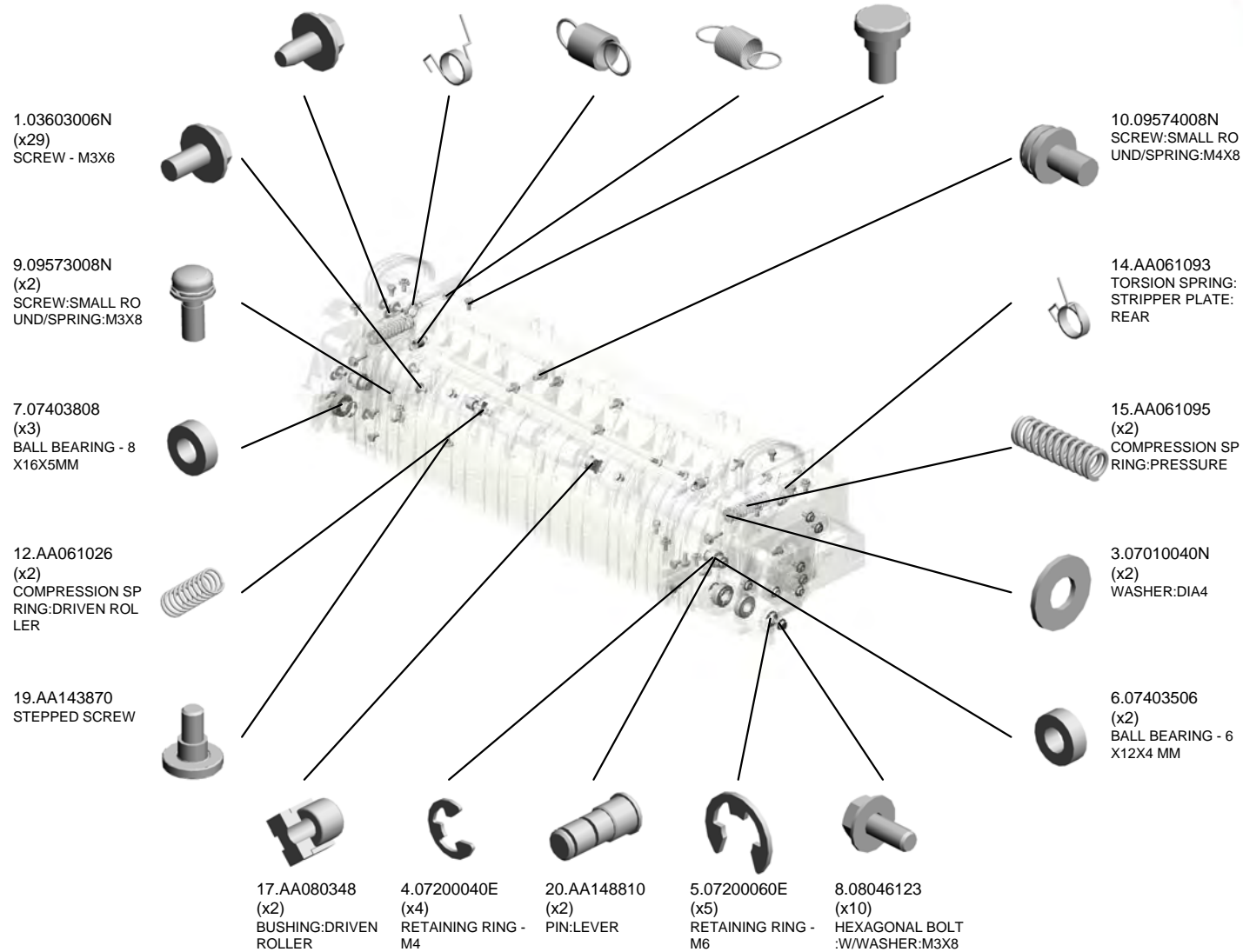
U015_S001
AB014338
GEAR:DRIVE:FUSING UNIT



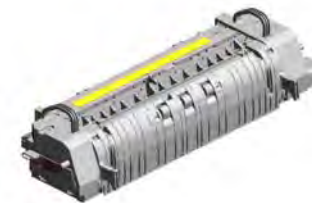
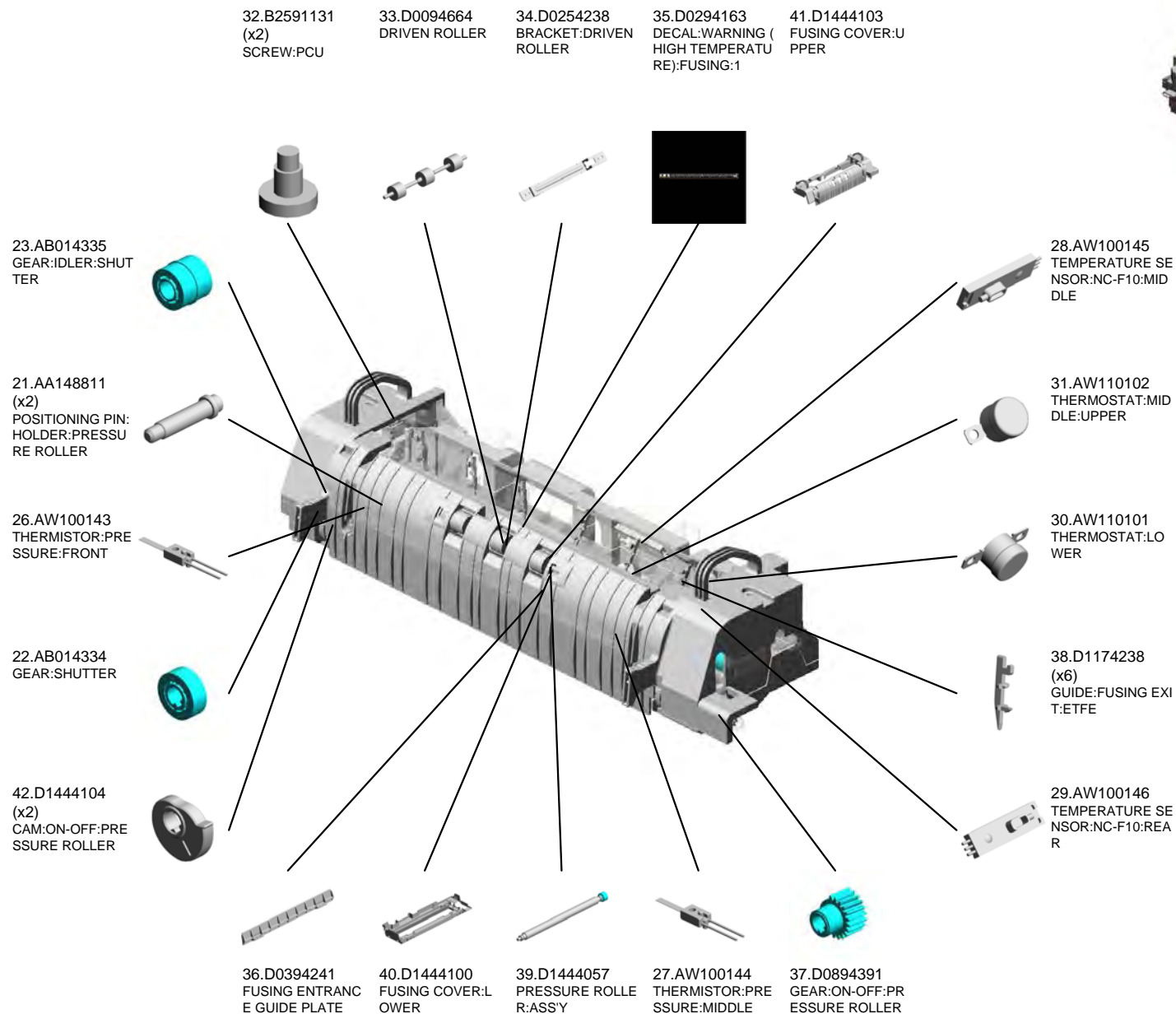
U001	U002	U003	U004	U005	U006	U007	U008	U009	U010	U011	U012	U013	U014	U015	U016	U017	U018	U019	U020	U021
------	------	------	------	------	------	------	------	------	------	------	------	------	------	------	------	------	------	------	------	------

U015 FUSING-1

- 2.04543006Q (x2) TAPPING SCREW - M3X6
- 13.AA061092 (x2) TORSION SPRING: STRIPPER PLATE: FRONT
- 11.AA060989 (x2) SPRING:FUSING EXIT:PRESSURE
- 16.AA061096 (x2) TENSION SPRING: SHUTTER
- 18.AA143849 (x10) SCREW:DIA4:M3

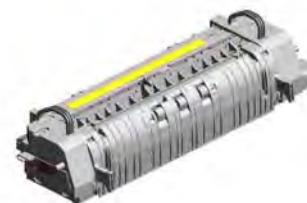


U015 FUSING-1



U015 FUSING-1

- 60.D1444192 (x2) SPRING PLATE:0.25MM
- 47.D1444136 STRIPPER PLATE:FUSING EXIT
- 59.D1444191 PLATE:SHUTTER
- 46.D1444134 GUIDE PLATE:FUSING EXIT:LEFT
- 49.D1444138 ELECTRODE PLATE:CONNECTING:THERMOSTAT



57.D1444187
SPACER:SHUTTER
:FRONT



45.D1444114
HOLDER:PRESSURE
ROLLER:FRONT



61.D1444211
SHEET:C3:LEVER



43.D1444110
(x2)
BRACKET:THERMOSTOR:
PRESSURE ROLLER



53.D1444170
GUIDE PLATE:FUSING
EXIT:RIGHT



54.D1444173
DISCHARGE BRUSH:
PRESSURE ROLLER



51.D1444159
HOLDER:PRESSURE
ROLLER:REAR



44.D1444113
(x2)
LEVER:PRESSURE
ROLLER



62.D1444219
(x2)
PROOFING MATERIAL:
FUSING COVER:
LOWER



50.D1444142
ENCODER:ON-OFF
:PRESSURE ROLLER



58.D1444188
SPACER:SHUTTER
:REAR



48.D1444137
ELECTRODE PLATE:
HEATER:REAR



52.D1444164
(x2)
ADJUSTING PLATE:
:PRESSURE



56.D1444180
(x2)
ADJUSTING SCREW:
:PRESSURE



55.D1444175
(x2)
GUIDE:COIL SPRING:
PRESSURE SUB-UNIT



U015 FUSING-1

66.M1254019 FUSING UNIT:NA:P
:MAINTENANCE:AS
SY

63.D1444222 DECAL:H-TEMP W
ARNING:FUSING:2

65.D1444299 GUIDE:HARNESS:F
USING



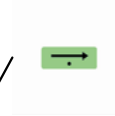
69.M1254231
DECAL:SET:FUSIN
G UNIT:FRONT



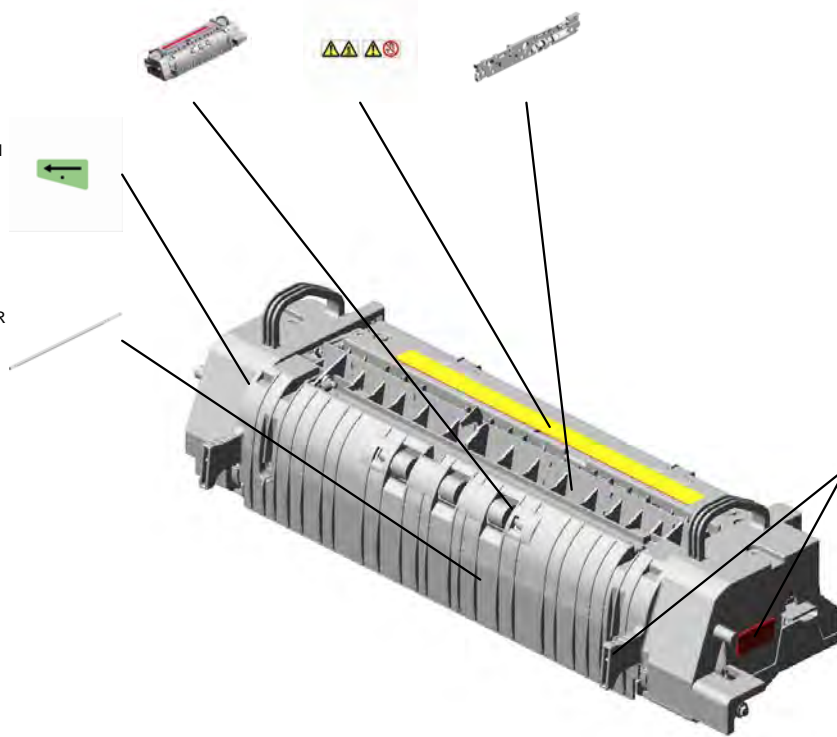
64.D1444225
SHAFT:ON-OFF:PR
ESSURE ROLLER



70.M1254232
DECAL:SET:FUSIN
G UNIT:REAR

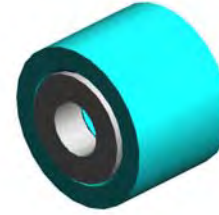
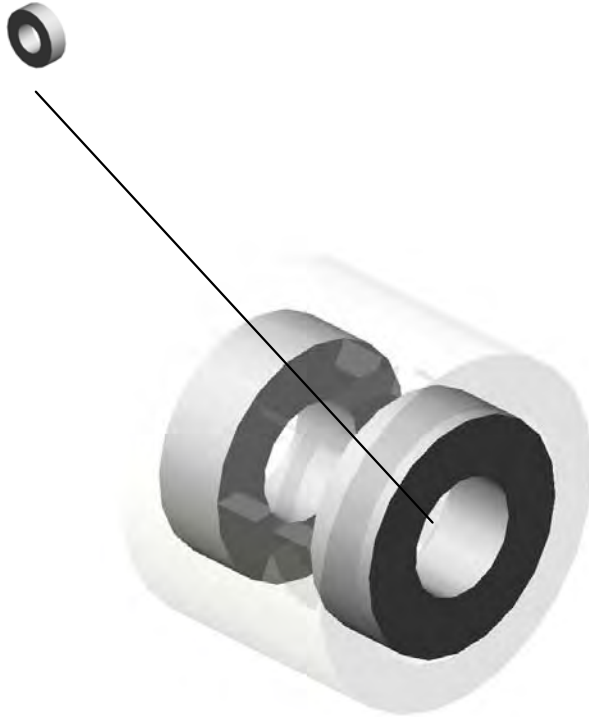


68.M1254230
(x2)
DECAL:C2:GREEN:
FUSING



U015_S001
GEAR:DRIVE:FUSING UNIT

7.07403808
(x2)
BALL BEARING - 8
X16X5MM

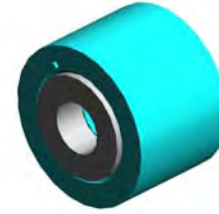
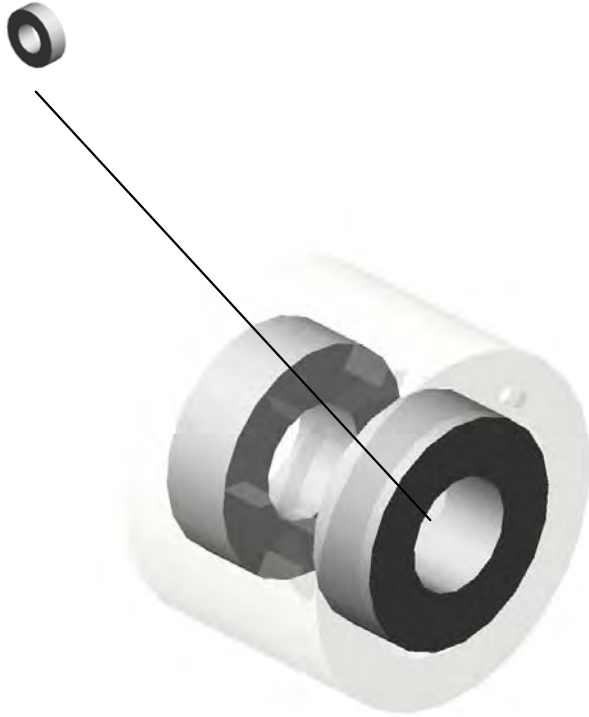


24.AB014338
GEAR:DRIVE:FUSI
NG UNIT

U001	U002	U003	U004	U005	U006	U007	U008	U009	U010	U011	U012	U013	U014	U015	U016	U017	U018	U019	U020	U021
------	------	------	------	------	------	------	------	------	------	------	------	------	------	------	------	------	------	------	------	------

U015_S002
GEAR:IDLER:PRESSURE ROLLER

7.07403808
(x2)
BALL BEARING - 8
X16X5MM

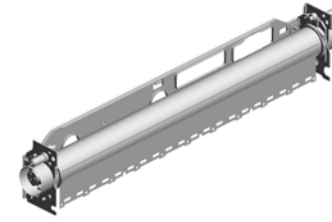


25.AB014339
GEAR:IDLER:PRES
SURE ROLLER

U001	U002	U003	U004	U005	U006	U007	U008	U009	U010	U011	U012	U013	U014	U015	U016	U017	U018	U019	U020	U021
------	------	------	------	------	------	------	------	------	------	------	------	------	------	------	------	------	------	------	------	------

U015_S003
SLEEVE:FUSING:NA:ASS'Y

8.08046123
(x4)
HEXAGONAL BOLT
:W/WASHER:M3X8



67.M1254081
SLEEVE:FUSING:N
A:ASSY



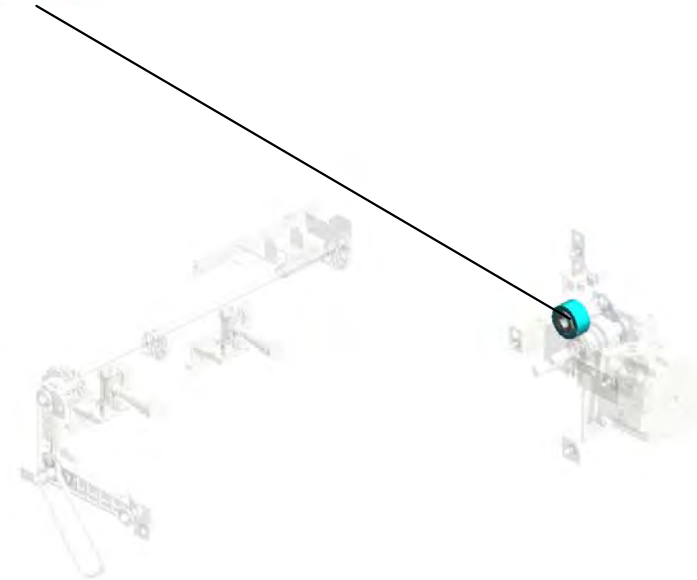
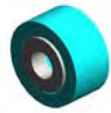
1.03603006N
(x6)
SCREW - M3X6



U001	U002	U003	U004	U005	U006	U007	U008	U009	U010	U011	U012	U013	U014	U015	U016	U017	U018	U019	U020	U021
------	------	------	------	------	------	------	------	------	------	------	------	------	------	------	------	------	------	------	------	------

U016.FUSING-2

U016_S001
BB013017
GEAR:SLOW DOWN:NO.2



U001	U002	U003	U004	U005	U006	U007	U008	U009	U010	U011	U012	U013	U014	U015	U016	U017	U018	U019	U020	U021
------	------	------	------	------	------	------	------	------	------	------	------	------	------	------	------	------	------	------	------	------

U016 FUSING-2

16.AW100138 (x2) THERMOPILE
 4.04543006Q (x9) TAPPING SCREW - M3X6
 6.06320120G (x2) PARALLEL PIN - 2X 12
 3.04503008N TAPPING SCREW - M3X8
 15.AW020190 PHOTOINTERRUPTOR



12.11050511 (x2) HARNESS CLAMP - LWS-0306ZC

11.08046123 (x2) HEXAGONAL BOLT :W/WASHER:M3X8

14.AA082101 (x2) BUSHING - 6X10X6

7.07200030E (x2) RETAINING RING - M3

8.07200040E (x6) RETAINING RING - M4

9.07200060E (x3) RETAINING RING - M6

20.D0294202 BRACKET:STEPPE R MOTOR:AUXILIARY:PEEN

5.04543008Q (x3) TAPPING SCREW: 3X8

1.03603006N (x2) SCREW - M3X6

2.03604010N (x5) SCREW:M4X10

13.11050516 (x3) CLAMP

17.BA146036 SHAFT:GEAR:SWI VEL

21.D0294204 HOLDER:GEAR

18.BB013016 (x2) GEAR:SLOW DOWN:NO.1

22.D0294222 BRACKET:GEAR:SUPPORTING PLATE

U001	U002	U003	U004	U005	U006	U007	U008	U009	U010	U011	U012	U013	U014	U015	U016	U017	U018	U019	U020	U021
------	------	------	------	------	------	------	------	------	------	------	------	------	------	------	------	------	------	------	------	------

U016 FUSING-2

- 36.D1444185 GEAR:MECHANICAL ROLLER CLUTCH :Z17
- 32.D1441192 GEAR:PULLEY:FUSING:SHUTTER:NO.2
- 29.D1441187 BRACKET:FUSING:SHUTTER:MAIN ASSY:ASSY
- 39.D1444199 SHAFT:CAM:SHUTTER:FUSING EXIT
- 37.D1444193 BRACKET:CAM:SHUTTER:FUSING EXIT



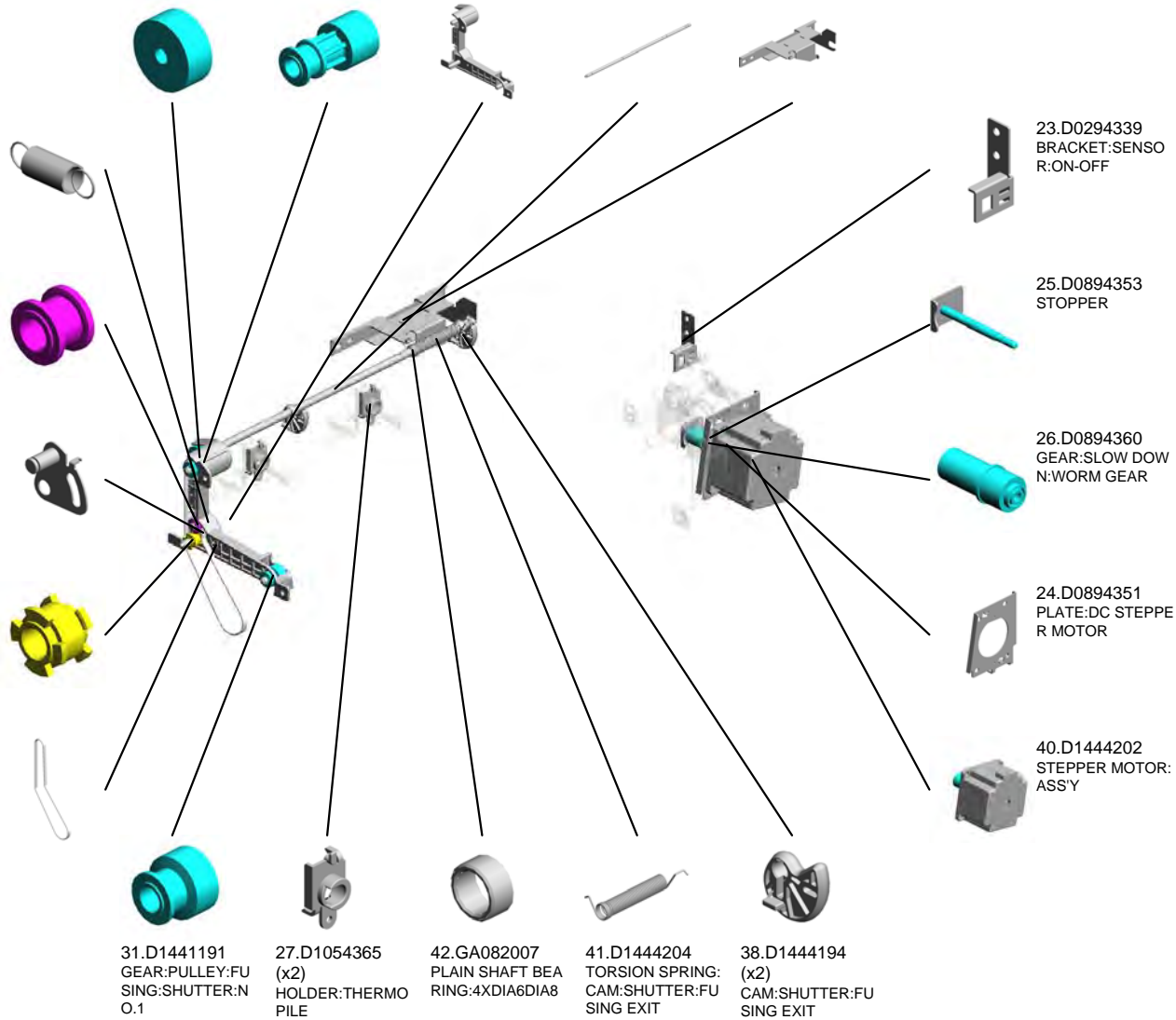
30.D1441190
TENSION SPRING:
1.5N:23MM

35.D1441197
ROLLER:TIGHTENER:FUSING:SHUTTER

34.D1441194
BRACKET:TIGHTENER:FUSING:SHUTTER:ASSY

33.D1441193
PULLEY:FUSING:SHUTTER:NO.3

28.D1441179
SYNCHRONOUS BELT:S2M:5X316



23.D0294339
BRACKET:SENSOR:ON-OFF

25.D0894353
STOPPER

26.D0894360
GEAR:SLOW DOWN:WORM GEAR

24.D0894351
PLATE:DC STEPPER MOTOR

40.D1444202
STEPPER MOTOR:ASSY

31.D1441191
GEAR:PULLEY:FUSING:SHUTTER:NO.1

27.D1054365
(x2)
HOLDER:THERMOPILE

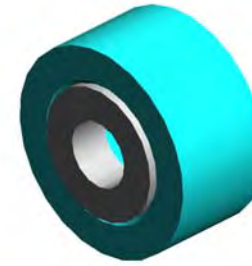
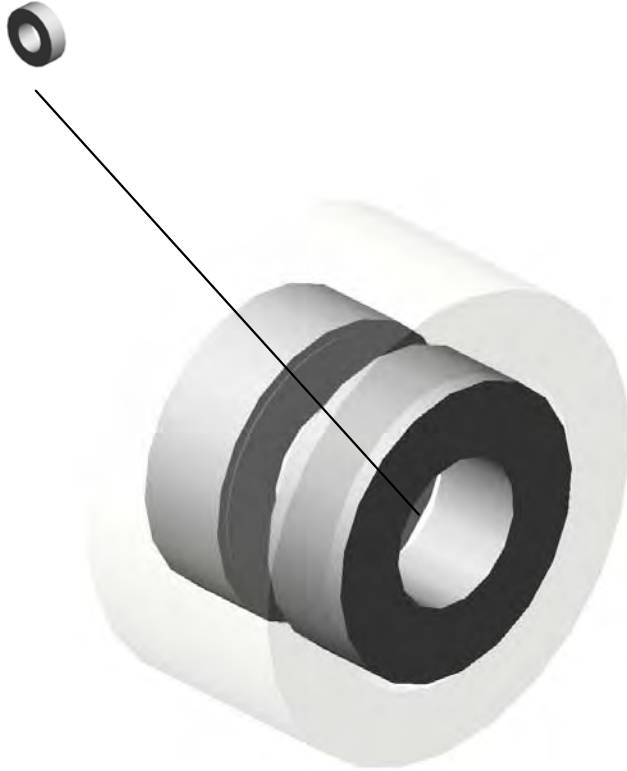
42.GA082007
PLAIN SHAFT BEARING RING:4XDIA6DIA8

41.D1444204
TORSION SPRING:CAM:SHUTTER:FUSING EXIT

38.D1444194
(x2)
CAM:SHUTTER:FUSING EXIT

U016_S001
GEAR:SLOW DOWN:NO.2

10.07403808
(x2)
BALL BEARING - 8
X16X5MM

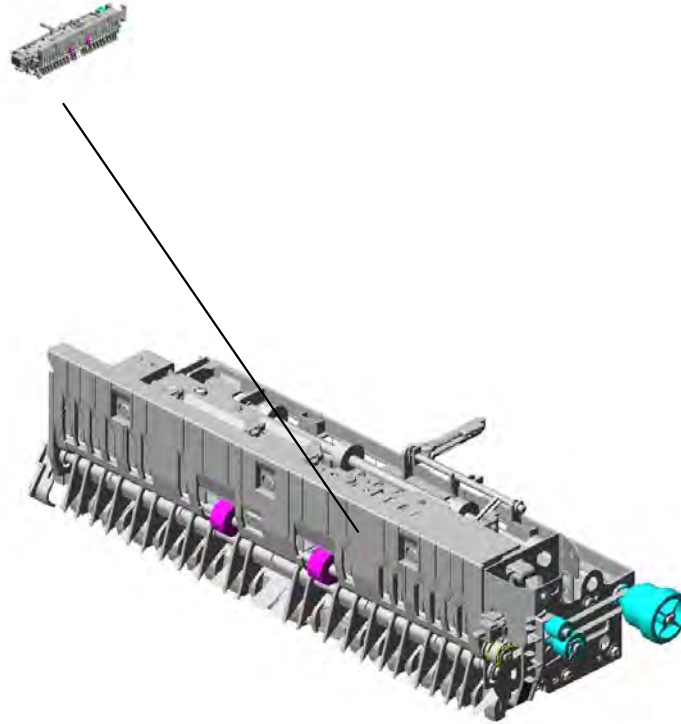


19.BB013017
GEAR:SLOW DOW
N:NO.2

U001	U002	U003	U004	U005	U006	U007	U008	U009	U010	U011	U012	U013	U014	U015	U016	U017	U018	U019	U020	U021
------	------	------	------	------	------	------	------	------	------	------	------	------	------	------	------	------	------	------	------	------

U017.PAPER EXIT

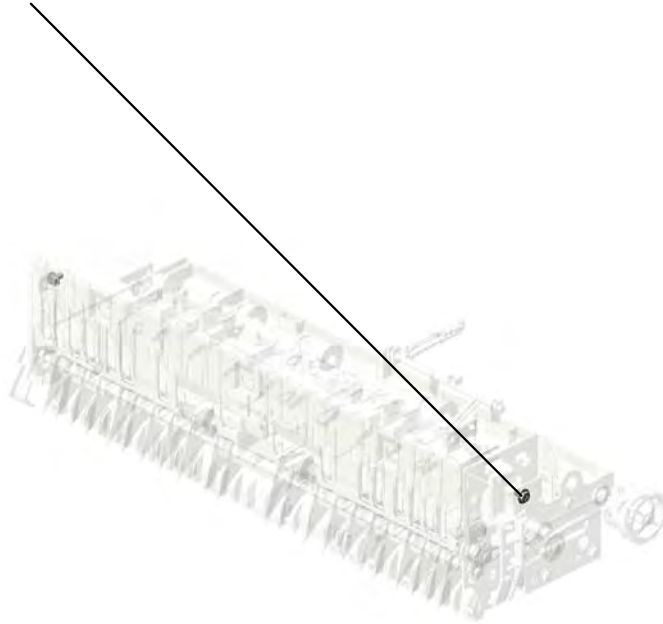
U017_S001
D1444405
PAPER EXIT UNIT:MACHINE
OR COPIER:ASSY



U001	U002	U003	U004	U005	U006	U007	U008	U009	U010	U011	U012	U013	U014	U015	U016	U017	U018	U019	U020	U021
------	------	------	------	------	------	------	------	------	------	------	------	------	------	------	------	------	------	------	------	------

U017
PAPER EXIT

2.04543006Q
(x2)
TAPPING SCREW -
M3X6



U001	U002	U003	U004	U005	U006	U007	U008	U009	U010	U011	U012	U013	U014	U015	U016	U017	U018	U019	U020	U021
------	------	------	------	------	------	------	------	------	------	------	------	------	------	------	------	------	------	------	------	------

U017_S001
 PAPER EXIT UNIT:MACHINE OR COPIER:ASS'Y

5.08050092
 RETAINING RING -
 3M

15.B1202063
 BUSHING - 4MM

7.11050516
 CLAMP

11.AW010107
 (x2)
 PAPER FEED SEN
 SOR

20.D0094443
 DISCHARGE BRUS
 H - EXIT



36.D1444405
 PAPER EXIT UNIT:
 MACHINE OR COPI
 ER:ASSY

6.11050511
 (x11)
 HARNESS CLAMP -
 LWS-0306ZC

1.04513006N
 (x13)
 TAPPING SCREW -
 3X6

3.04563010N
 (x8)
 TAPPING SCREW -
 M3X10

21.D0294427
 BRACKET:POSITIO
 NING:GUIDE PLAT
 E:MIDDLE

9.AA080156
 BUSHING - M4

16.B2234493
 SHAFT:PRESSURE
 :AUXILIARY

18.B2384458
 COMPRESSION SP
 RING - DRIVEN RO
 LLER

12.AW010147
 PHOTO REFLECTI
 ON SENSOR

10.AA082156
 (x7)
 BUSHING:DIA6XDI
 A10X6

8.11050692
 CLAMP:LES-0503

19.D0094407
 FEELER - OVERFL
 OW

17.B2234497
 SHAFT:FEELER:OV
 ERFLOW

13.AW020145
 PHOTOINTERRUP
 TOR:FLAT

14.AW500023
 PUSH SWITCH

4.08050089
 (x5)
 RETAINING RING -
 M4

U017_S001 PAPER EXIT UNIT:MACHINE OR COPIER:ASS'Y

35.D0894486 GROUND PLATE:EXIT
38.D1444426 BRACKET:SENSOR:GATE
39.D1444431 GUIDE PLATE:EXIT:LOWER
37.D1444425 BRACKET:SENSOR
40.D1444432 STAY:EXIT:LOWER



36.D1444405 PAPER EXIT UNIT:MACHINE OR COPIER:ASSY

26.D0294474 DC SOLENOID:SUB-ASSY



24.D0294443 TENSION SPRING:GATE PAWL:ENTRANCE



27.D0294478 TENSION SPRING:RELEASE:DC SOLENOID



23.D0294442 LEVER:GATE PAWL:ENTRANCE



22.D0294439 STOPPER:GATE PAWL:ENTRANCE



41.D1444433 BRACKET:SENSOR:FUSING EXIT



42.D1444436 (x2) SPRING PLATE:EXIT ROLLER:INNER



32.D0894464 TIMING PULLEY:18



25.D0294444 COVER:HARNESS



34.D0894466 SYNCHRONOUS BELT:S2M:104



28.D0894437 (x2) SPRING PLATE:EXIT ROLLER:OUTER



29.D0894461 GEAR:PULLEY:INPUT:27Z



33.D0894465 SYNCHRONOUS BELT:S2M:136



31.D0894463 GEAR:PULLEY:IDLER:Z21/14T



30.D0894462 GEAR:PULLEY:DECURA:Z27/16T



U017_S001
 PAPER EXIT UNIT:MACHINE OR COPIER:ASS'Y

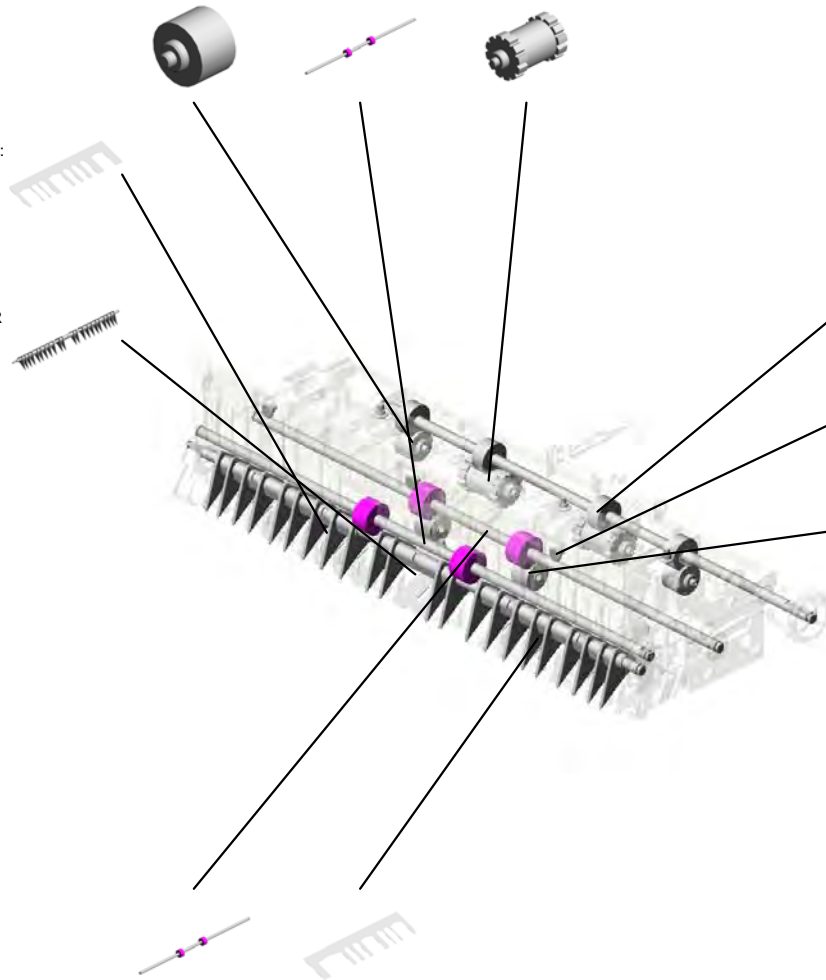
51.D1444495 (x2) EXIT ROLLER:DRIVEN:OUTER
 46.D1444455 TRANSPORT ROLLER:GATE
 50.D1444494 (x2) EXIT ROLLER:DRIVEN:INNER



36.D1444405
 PAPER EXIT UNIT:
 MACHINE OR COPI
 ER:ASSY

45.D1444447
 SHEET:EXIT:PTFE:
 FRONT

43.D1444445
 GATE PAWL:ENTR
 ANCE:ASS'Y



47.D1444456
 EXIT ROLLER

49.D1444484
 (x7)
 SHOULDER SCRE
 W - M3

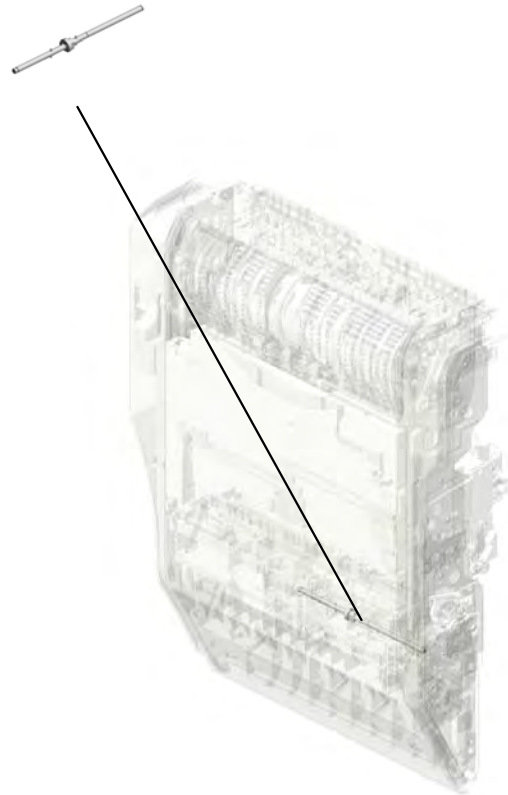
52.D1444497
 (x2)
 ROLLER:DRIVEN:T
 RANSPORT

48.D1444457
 TRANSPORT ROLL
 ER:TRANSPORT

44.D1444446
 SHEET:EXIT:PTFE:
 REAR

U018.DUPLEX

U018_S001
B1802871
SHAFT:SEPARATOR:DRIVEN
:ASS'Y



U001	U002	U003	U004	U005	U006	U007	U008	U009	U010	U011	U012	U013	U014	U015	U016	U017	U018	U019	U020	U021
------	------	------	------	------	------	------	------	------	------	------	------	------	------	------	------	------	------	------	------	------

U018 DUPLEX



- 15.08050092 RETAINING RING - 3M
- 9.07200030E (x10) RETAINING RING - M3
- 1.03530080N (x4) SCREW:M3X8
- 12.08010231 HEXAGONAL HEAD BOLT W/WASHER:M3X6
- 10.07200040E RETAINING RING - M4

11.07200060E
RETAINING RING - M6

8.04573008N
(x2)
TAPPING SCREW - M3X8

2.03603006N
(x2)
SCREW - M3X6

7.04563010N
(x2)
TAPPING SCREW - M3X10

4.04513008N
(x2)
TAPPING SCREW - M3X8

3.04513006N
(x28)
TAPPING SCREW - 3X6

18.11050551
CLAMP:LES-0505

19.11050723
CLAMPS:WES-0507

17.11050511
HARNESS CLAMP - LWS-0306ZC

6.04563008N
(x36)
TAPPING SCREW - M3X8

20.54472681
SNAP RING

5.04543006Q
(x9)
TAPPING SCREW - M3X6

14.08050089
(x15)
RETAINING RING - M4

16.11026245
RELAY CONNECTOR - 2P

13.08050088
RETAINING RING - M6

U018 DUPLEX



- 38.AA143807 (x2) SCREW:A
- 25.AA080254 (x4) BUSHING - M4
- 24.AA063568 PRESSURE SPRING
- 26.AA082101 (x6) BUSHING - 6X10X6
- 33.AA101021 (x4) RUBBER BUSHING - 6 45HS

28.AA082143 (x2) BUSHING - 6X10X6

37.AA143404 STEPPED SCREW - M4

40.AB011387 GEAR - 23Z

32.AA100014 (x2) RETAINING RING C - SEPARATE

23.AA063499 PRESSURE SPRING

35.AA140936 SHAFT:FEED:MANUAL FEED

34.AA140778 SHAFT:SEPARATOR:DRIVE

36.AA143183 STEPPED SCREW

21.A2596754 BUSHING - 6 6MM

30.AA083014 ONE-WAY CLUTCH

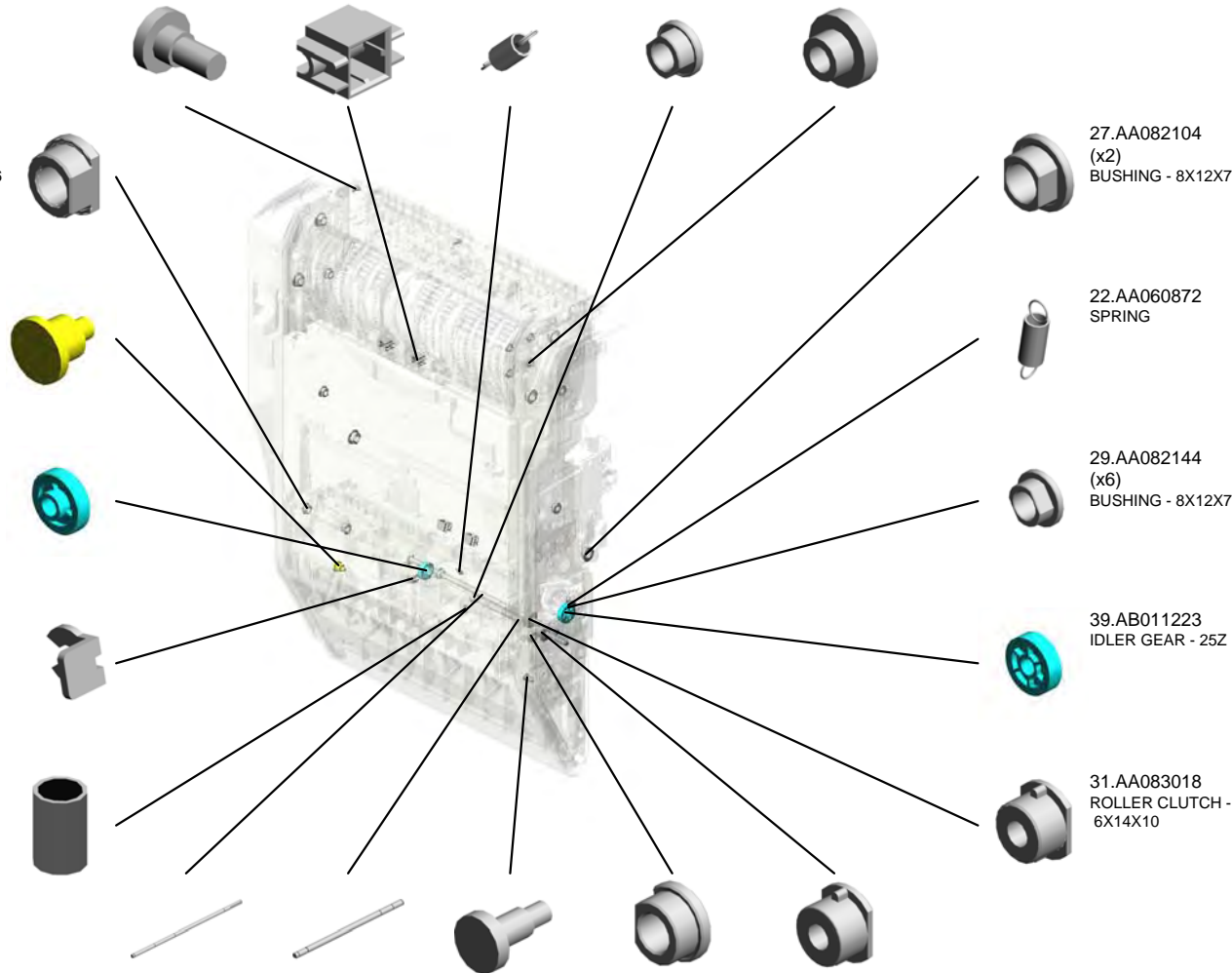
27.AA082104 (x2) BUSHING - 8X12X7

22.AA060872 SPRING

29.AA082144 (x6) BUSHING - 8X12X7

39.AB011223 IDLER GEAR - 25Z

31.AA083018 ROLLER CLUTCH - 6X14X10



U018 DUPLEX



47.AG070514
MAGNET CATCH

49.AW010118
PAPER FEED SENS
SOR

55.B0441825
(x4)
COLLAR

56.B0441847
SHOULDER SCRE
W

42.AB014161
REVERSE ROLLER
GEAR

50.AW020145
(x2)
PHOTOINTERRUP
TOR:FLAT

51.AW500031
PAPER SIZE SENS
OR

61.B2232629
STAY:FEED

52.AW500035
PAPER END SENS
OR

44.AF030049
PICK-UP ROLLER

43.AF013016
BOTTOM PLATE P
AD

45.AF031046
FEED ROLLER - M
ANUAL FEED

46.AF032046
SEPARATION ROL
LER - MANUAL FE
ED

58.B2232608
GEAR:Z16

41.AB011416
GEAR - 20Z

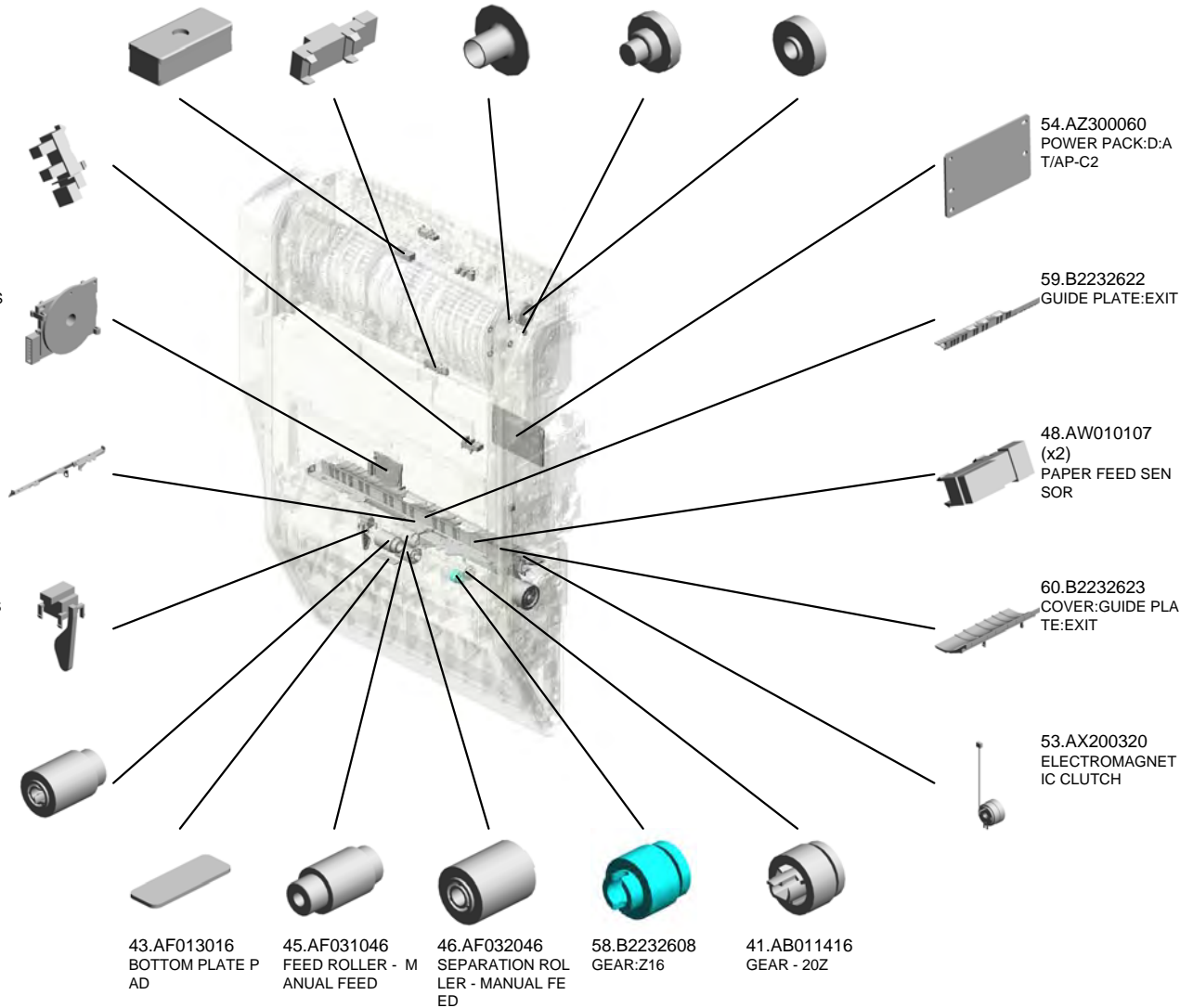
54.AZ300060
POWER PACK:D:A
T/AP-C2

59.B2232622
GUIDE PLATE:EXIT

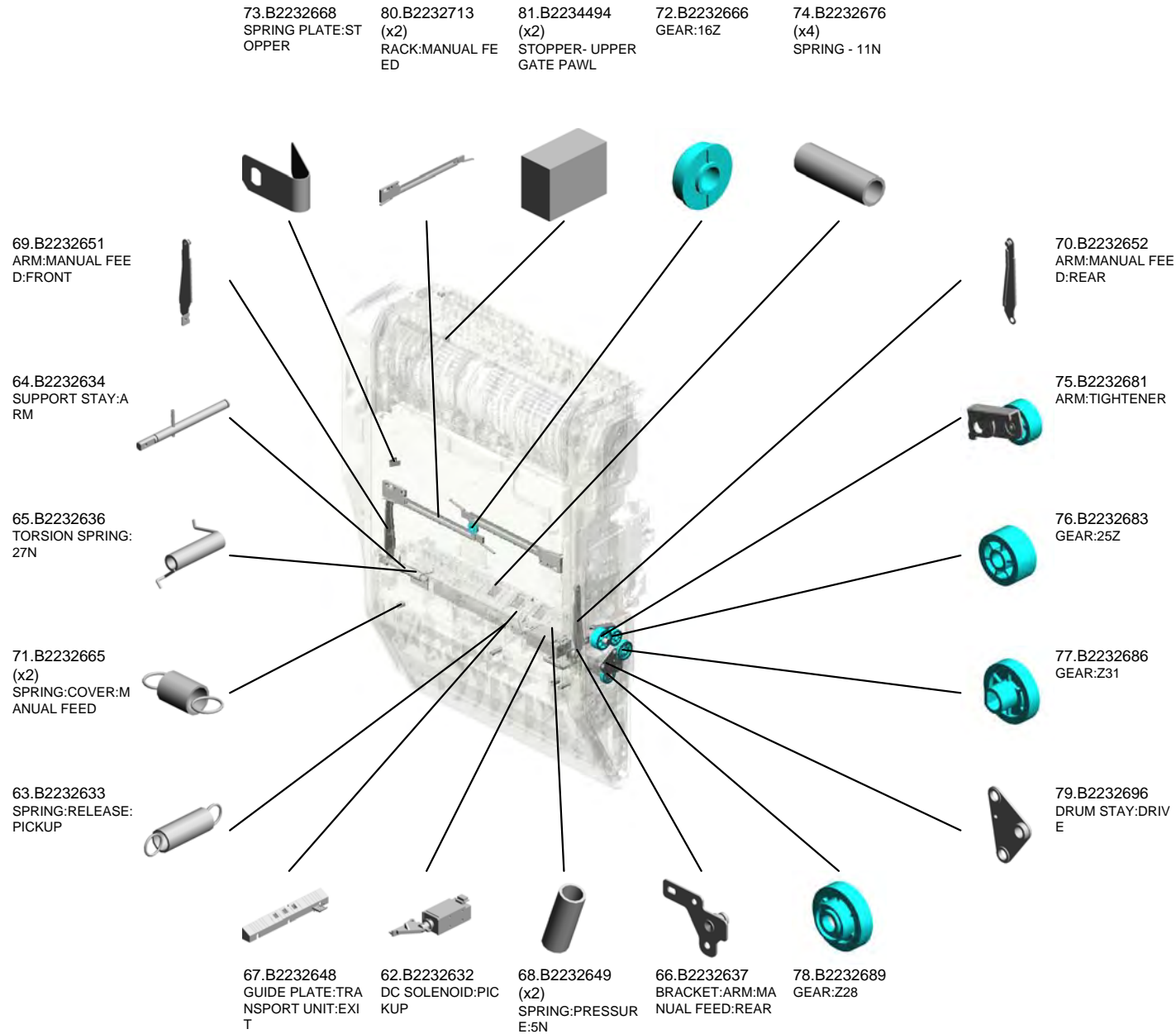
48.AW010107
(x2)
PAPER FEED SENS
SOR

60.B2232623
COVER:GUIDE PLA
TE:EXIT

53.AX200320
ELECTROMAGNET
IC CLUTCH



U018 DUPLEX



U018 DUPLEX



93.B2234532 TENSION SPRING:
HOOK:STOPPER
85.B2234512 TIMING BELT:30S2
M182
92.B2234529 ROLLER CLUTCH:
T24
96.B2234538 (x2)
COMPRESSION SP
RING
82.B2234501 GUIDE PLATE:RIG
HT

100.B2234544
PULLEY:T35/T33

95.B2234536
TIMING BELT:30S2
M234

91.B2234527
PULLEY:T26/T24

84.B2234511
TIMING BELT:30S2
M312

101.B2234545
GUIDE PIN:HOLDE
R

94.B2234535
ROLLER CLUTCH:
T26

99.B2234542
TORSION SPRING:
FRONT

89.B2234525
TENSION SPRING:
WIRE:180N

87.B2234522
SPACER:WIRE:ST
OPPER

88.B2234524
WIRE:STOPPER:DI
A1.5

90.B2234526
TIMING BELT:30S2
M268

86.B2234514
ROLLER CLUTCH:
T24

83.B2234502
GUIDE PLATE:LEF
T LOWER

97.B2234539
SHEET:COVER:DU
PLEX

98.B2234541
TORSION SPRING:
REAR

U018 DUPLEX



- 108.B2234566 BRACKET:SENSOR:ENTRANCE
- 105.B2234560 (x2) TENSION SPRING:DRIVEN ROLLER
- 112.B2234573 TIMING BELT:30S2 M128
- 110.B2234571 GEAR:PULLEY:Z24 /T40
- 114.B2234586 (x2) PULLEY:T30

102.B2234552 (x4) BUSHING:DIA4

111.B2234572 STEPPER MOTOR:DC4.29V 1.7W

113.B2234575 BRACKET:STEPPER MOTOR

118.B2384739 COVER - ENTRANCE SENSOR

117.B2384733 ENTRANCE SENSOR BRACKET

109.B2234567 STAY:TRANSPORT:UPPER:PEEN

120.D0092552 GUIDE SHEET - MANUAL FEED

119.D0092510 GUIDE PLATE - EXIT

116.B2234595 PULLEY:DIA13

115.B2234594 SHAFT:PULLEY:WIRE

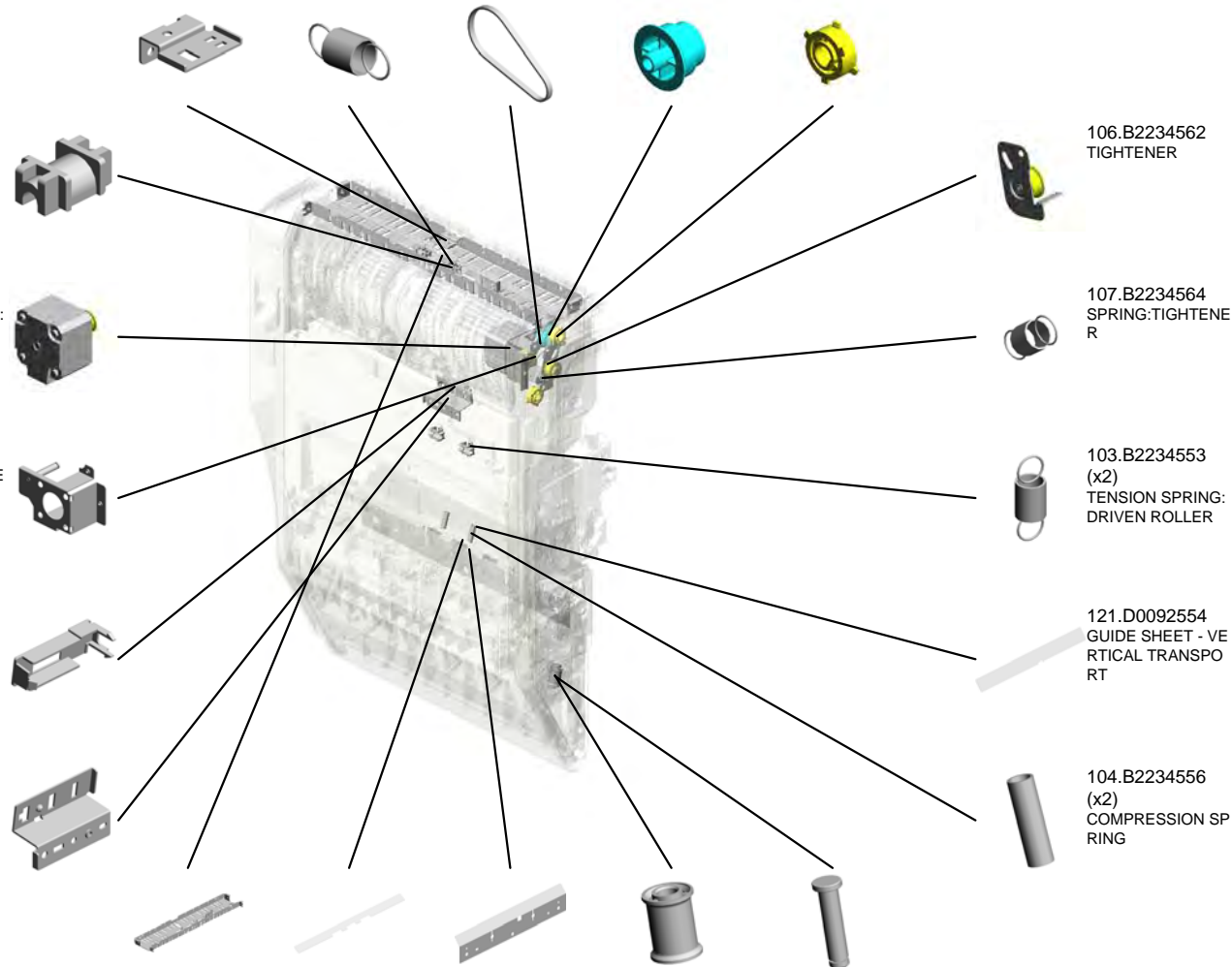
106.B2234562 TIGHTENER

107.B2234564 SPRING:TIGHTENER

103.B2234553 (x2) TENSION SPRING:DRIVEN ROLLER

121.D0092554 GUIDE SHEET - VERTICAL TRANSPORT

104.B2234556 (x2) COMPRESSION SPRING



U018 DUPL EX



135.D0094522 TENSION SPRING: GATE PAWL:DUPL EX:0.08N
 130.D0094503 GUIDE PLATE - LEFT UPPER
 122.D0092555 TRANSPORT ROLLER - DUPLEX EXIT
 131.D0094504 UPPER GUIDE PLATE - GATE
 137.D0094577 DUPLEX GATE

123.D0092560 DRIVEN ROLLER

134.D0094513 COMPRESSION SPRING: EARTH: DUPL EX UNIT

132.D0094511 SPACER: DIA8.0: 1.5 MM

133.D0094512 LINK: STOPPER

140.D0094589 GUIDE - SET SHAFT

124.D0092563 GUIDE PLATE - VERTICAL TRANSPORT

128.D0092575 (x2) SHAFT - IDLER

138.D0094587 TENSION SPRING - RELEASE BRACKET

139.D0094588 STOPPER BRACKET - SPRING

141.D0094593 STEPPED SCREW - M3

129.D0092576 (x2) SHAFT - VERTICAL TRANSPORT

125.D0092571 (x2) HOLDER - VERTICAL TRANSPORT

126.D0092573 (x6) PULLEY - VERTICAL TRANSPORT

127.D0092574 (x6) PULLEY - IDLER

136.D0094535 HARNESS GUIDE

U018 DUPLEX



- 156.D0294485 LEVER:GATE PAWL:UPPER
- 148.D0094664 (x4) DRIVEN ROLLER
- 145.D0094661 (x2) REVERSE ROLLER - FEED
- 155.D0294482 GATE PAWL:UPPER:ASSY
- 159.D0294497 (x2) COMPRESSION SPRING:DRIVEN ROLLER:GATE

157.D0294486 TENSION SPRING:GATE PAWL:1.5N

146.D0094662 TRANSPORT ROLLER 1

151.D0292664 FEELER:PAPER SIZE SENSOR:MANUAL FEED

147.D0094663 TRANSPORT ROLLER 2

150.D0292612 GROUND PLATE:FRONT:MANUAL FEED

143.D0094598 SPRING - SET SHAFT

153.D0292709 GUIDE PLATE:SEPARATOR:ASSY

144.D0094599 SHAFT - DUPLEX UNIT

149.D0292611 GROUND PLATE:REAR:MANUAL FEED

142.D0094597 BRACKET - WIRE PULLEY SHAFT

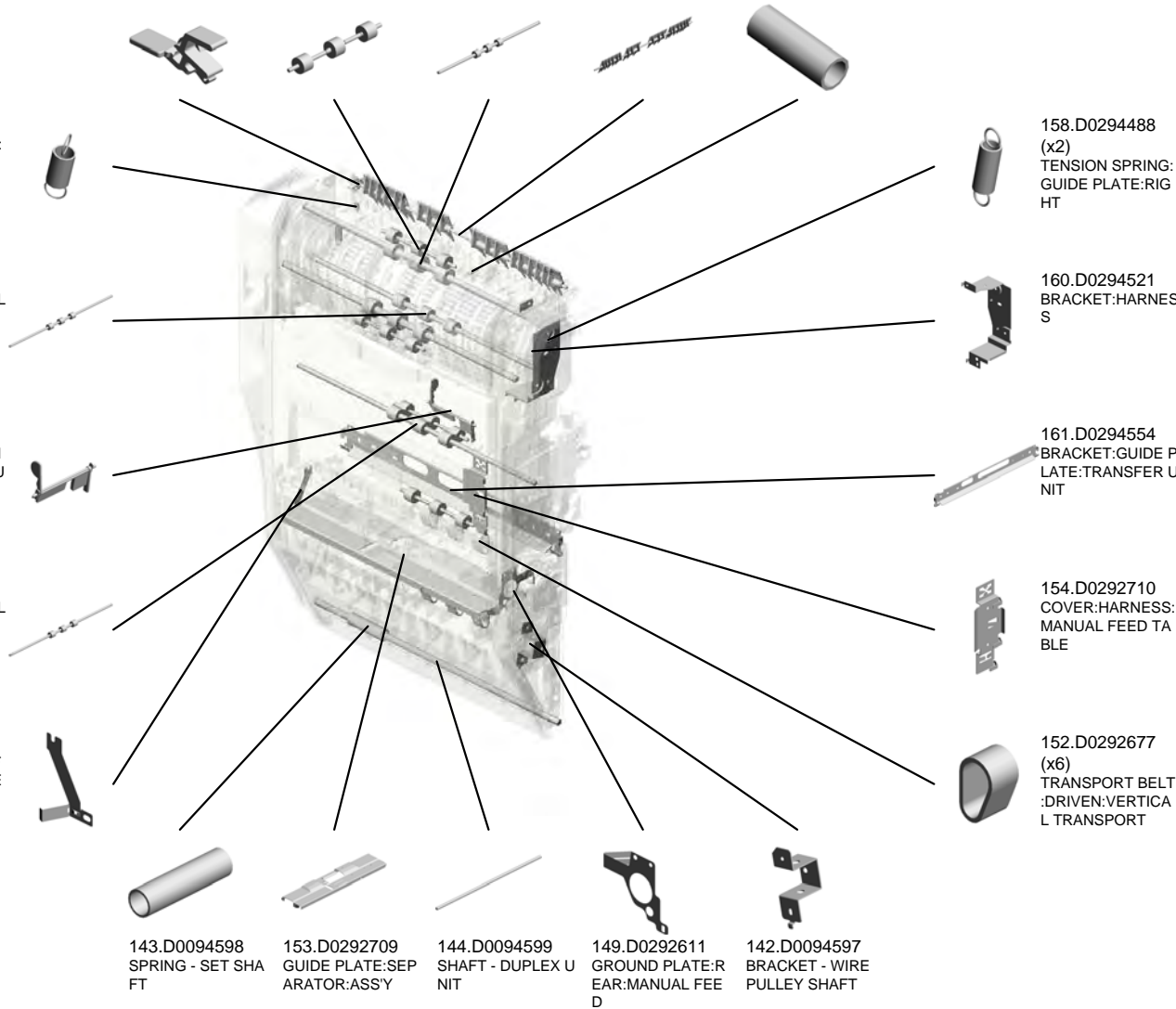
158.D0294488 (x2) TENSION SPRING:GUIDE PLATE:RIGHT

160.D0294521 BRACKET:HARNESSES

161.D0294554 BRACKET:GUIDE PLATE:TRANSFER UNIT

154.D0292710 COVER:HARNESSES:MANUAL FEED TABLE

152.D0292677 (x6) TRANSPORT BELT:DRIVEN:VERTICAL TRANSPORT



U018 DUPLEX



- 181.D1292667 EXTENSION TRAY: MANUAL FEED
- 173.D0894484 GRIP:GATE PAWL: UPPER
- 163.D0294590 HOOK:STOPPER:DUPLEX UNIT:ASS'Y
- 174.D0894663 GUIDE PLATE:TRANSFER UNIT:HOLDER
- 172.D0894483 DRIVEN ROLLER:APER EXIT UNIT:VERTICAL TRANSPORT

168.D0296321 (x2)
ANCHOR:SPRING

169.D0296322
SHAFT:LEVER:FRONT

179.D1292662
MANUAL FEED TABLE

178.D1292661
COVER:MANUAL FEED

176.D1292657
ARM:MANUAL FEED:SHORT:FRONT

180.D1292664
COVER:MANUAL FEED:ENTRANCE

175.D1292621
COVER:MANUAL FEED UNIT

167.D0296320
BRACKET:LEVER:MIDDLE

162.D0294555
SHEET:TRANSPORT SUB-UNIT:FEED PAPER AGAIN

177.D1292658
ARM:MANUAL FEED:SHORT:REAR

171.D0296335
SHEET:CASE:LOWER

166.D0296307 (x2)
COMPRESSION SPRING:GUIDE PLATE:EXIT:3.5N

164.D0296293
DRUM STAY:REAR

165.D0296305 (x3)
LEVER:RELEASE

170.D0296323
SHAFT:LEVER:REAR

U018 DUPLEX



196.D1444483
DECAL:KNOB:Z

188.D1292748
DECAL:SCALE:MANUAL FEED

190.D1294531
GUIDE PLATE:COVER:OPEN AND CLOSE

194.D1444481
GUIDE PLATE:OPEN AND CLOSE

197.D1444489
(x2)
STOPPER:DRIVEN ROLLER

192.D1294579
GRIP:OPEN AND CLOSE:DUPLEX UNIT

199.D1444534
INNER COVER:DUPLEX

187.D1292745
DECAL:PAPER SEPT DIRECTION:MANUAL FEED:EXP

185.D1292726
GRIP:SIDE FENCE:MANUAL FEED

183.D1292674
SIDE FENCE:FRONT

191.D1294540
COVER:DUPLEX

189.D1292783
TORQUE LIMITER MECHANICAL CLUTCH:40MM:DIA18

186.D1292743
DECAL:TRAY:MANUAL FEED:EXTENSION TRAY:EXP

182.D1292673
SIDE FENCE:REAR

184.D1292675
DECAL:SIDE FENCE:MANUAL FEED

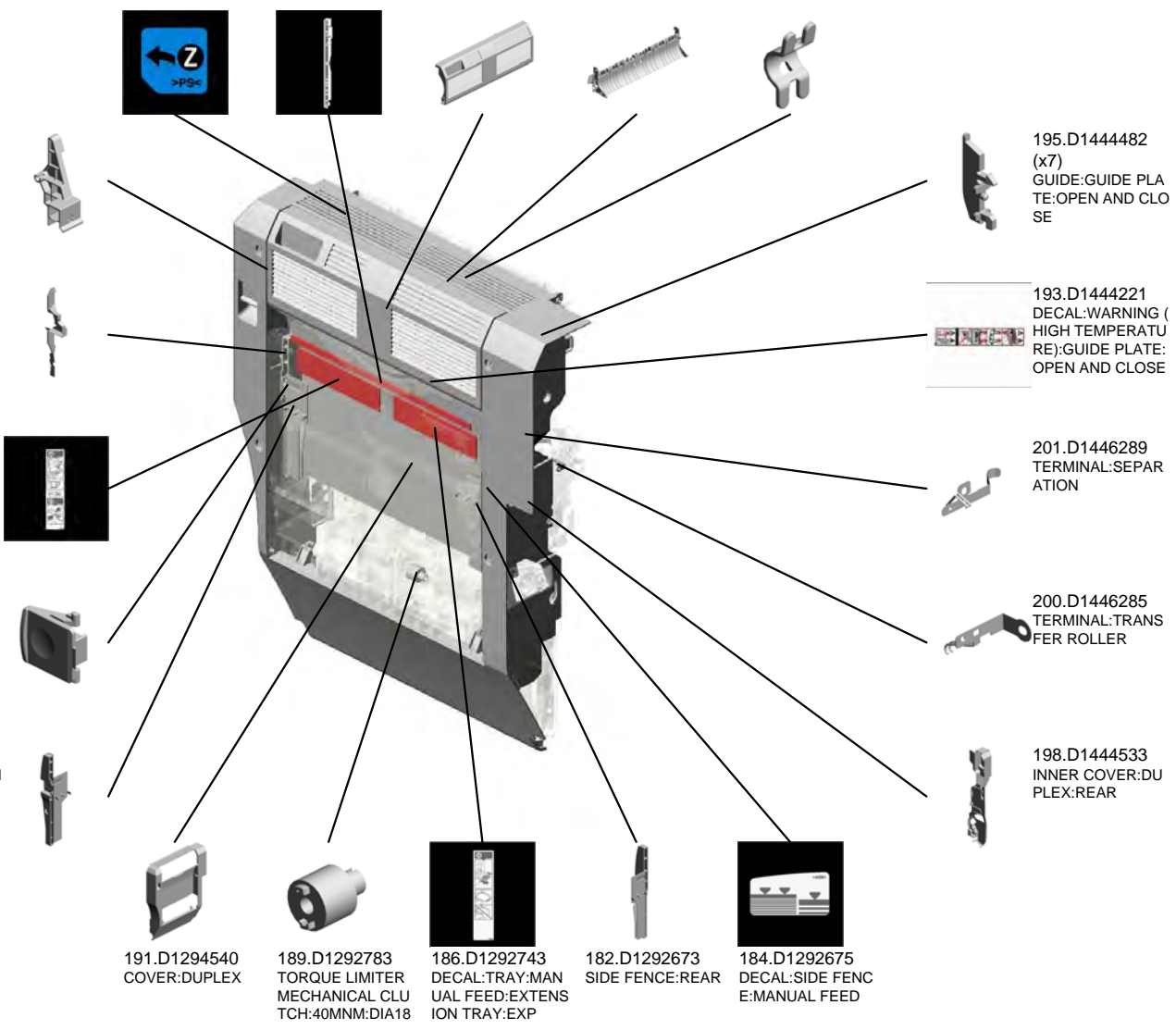
195.D1444482
(x7)
GUIDE:GUIDE PLATE:OPEN AND CLOSE

193.D1444221
DECAL:WARNING (HIGH TEMPERATURE):GUIDE PLATE:OPEN AND CLOSE

201.D1446289
TERMINAL:SEPARATION

200.D1446285
TERMINAL:TRANSFER ROLLER

198.D1444533
INNER COVER:DUPLEX:REAR



U018 DUPLEX



206.G0604435
(x2)
BUSHING - M4

208.M1256205
TRANSFER/SEPARATION UNIT:P3:EX P:ASS'Y

209.M1256316
STOPPER:HOLDE
R:SEPARATION:UP
PER

202.D1446310
(x2)
SPRING:TRANSFE
R

203.D1446331
GROUND WIRE:PO
WER PACK

210.M1256324
DECAL:REPLACEM
ENT INDICATION:T
RANSFER ROLLER

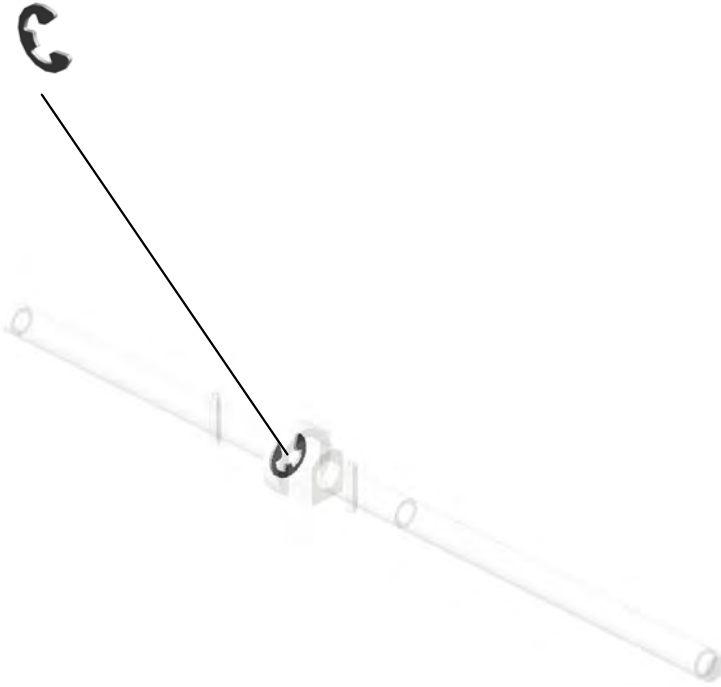
207.GA001090
(x2)
DECAL:POSITIONI
NG DISPLAY:CASE
:TRANSFER ROLL
ER

204.G0602652
(x6)
BUSHING - M4

205.G0602932
PICK-UP ARM - MA
NUAL FEED

U018_S001
SHAFT:SEPARATOR:DRIVEN:ASS'Y

10.07200040E
RETAINING RING -
M4

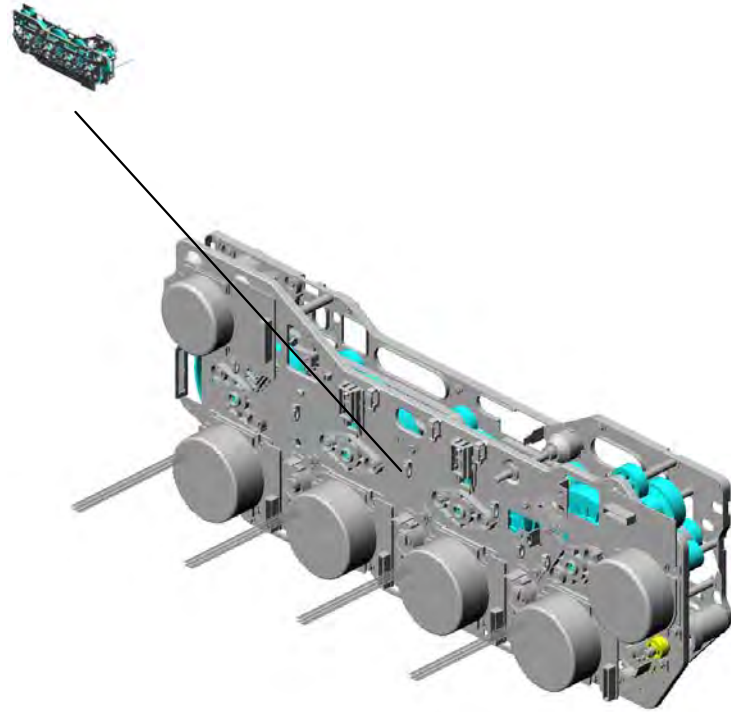


57.B1802871
SHAFT:SEPARATO
R:DRIVEN:ASS'Y

U001	U002	U003	U004	U005	U006	U007	U008	U009	U010	U011	U012	U013	U014	U015	U016	U017	U018	U019	U020	U021
------	------	------	------	------	------	------	------	------	------	------	------	------	------	------	------	------	------	------	------	------

U019.MAIN DRIVE-1

U019_S001
D1441110
DRIVE UNIT:ENGINE:D143/D
144:ASSY



U001	U002	U003	U004	U005	U006	U007	U008	U009	U010	U011	U012	U013	U014	U015	U016	U017	U018	U019	U020	U021
------	------	------	------	------	------	------	------	------	------	------	------	------	------	------	------	------	------	------	------	------

U019
MAIN DRIVE-1



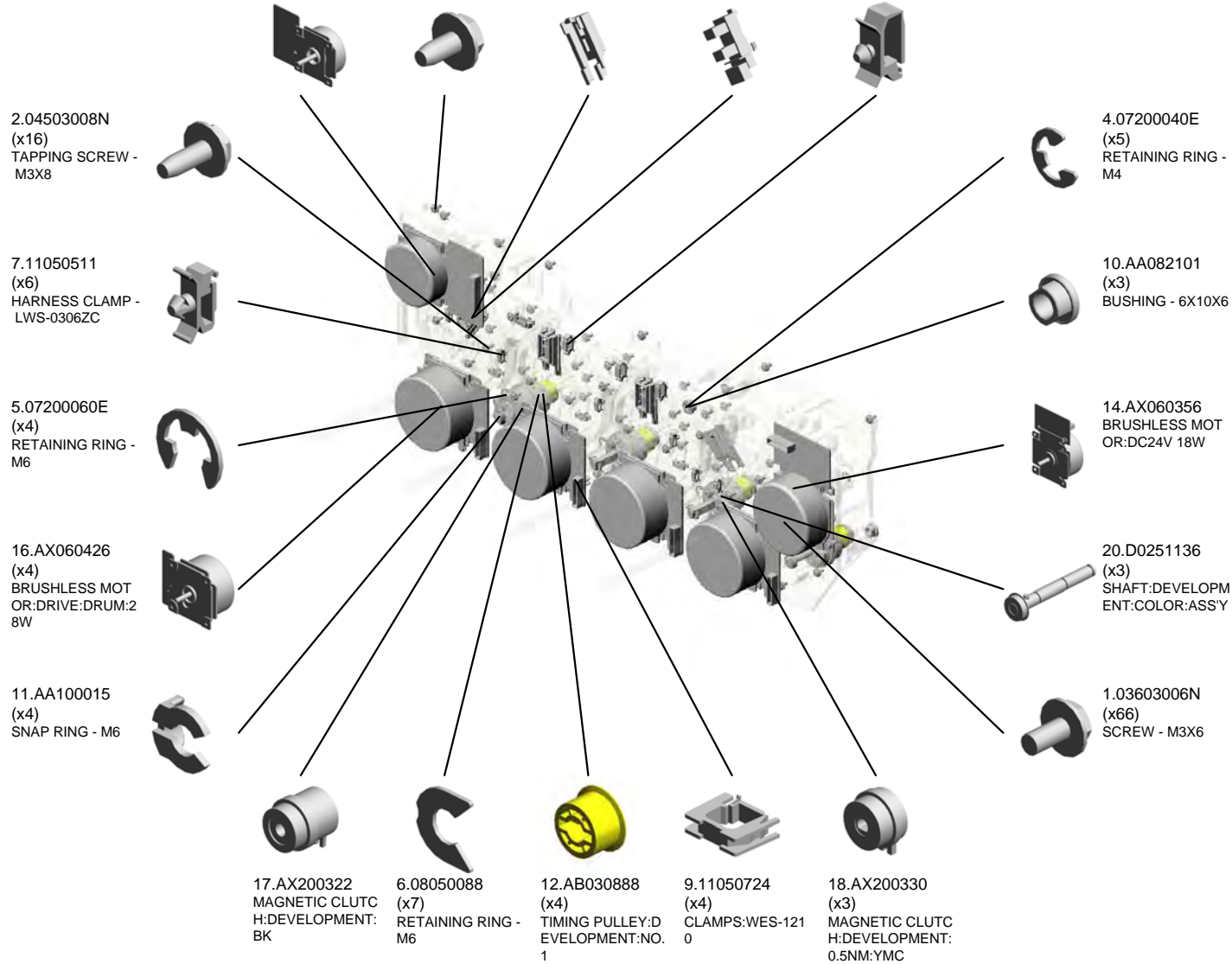
U001	U002	U003	U004	U005	U006	U007	U008	U009	U010	U011	U012	U013	U014	U015	U016	U017	U018	U019	U020	U021
------	------	------	------	------	------	------	------	------	------	------	------	------	------	------	------	------	------	------	------	------

U019_S001
 DRIVE UNIT:ENGINE:D143/D144:ASS'Y



24.D1441110
 DRIVE UNIT:ENGINE
 E:D143/D144:ASS'Y

- 15.AX060412 BRUSHLESS MOT OR:DC:INTERMEDIATE TRANSFER:10W
- 3.04543006Q (x12) TAPPING SCREW - M3X6
- 19.B2231144 (x4) HOLDER:POSITIONING SENSOR
- 13.AW020145 (x4) PHOTOINTERRUPTOR:FLAT
- 8.11050516 (x16) CLAMP

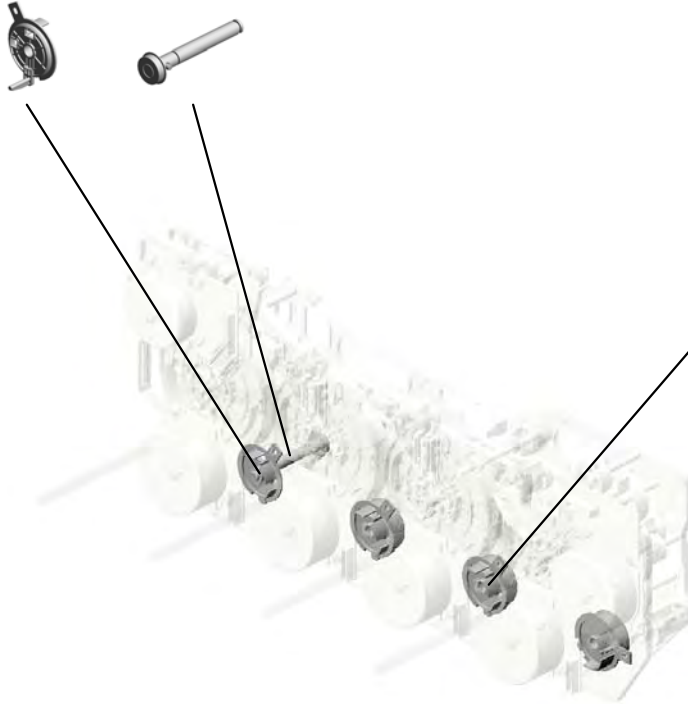


U019_S001
DRIVE UNIT:ENGINE:D143/D144:ASS'Y

23.D0291137 22.D0291136
HOLDER:MAGNETI SHAFT:DEVELOPM
C CLUTCH:DEVEL ENT:ASS'Y
OPMENT



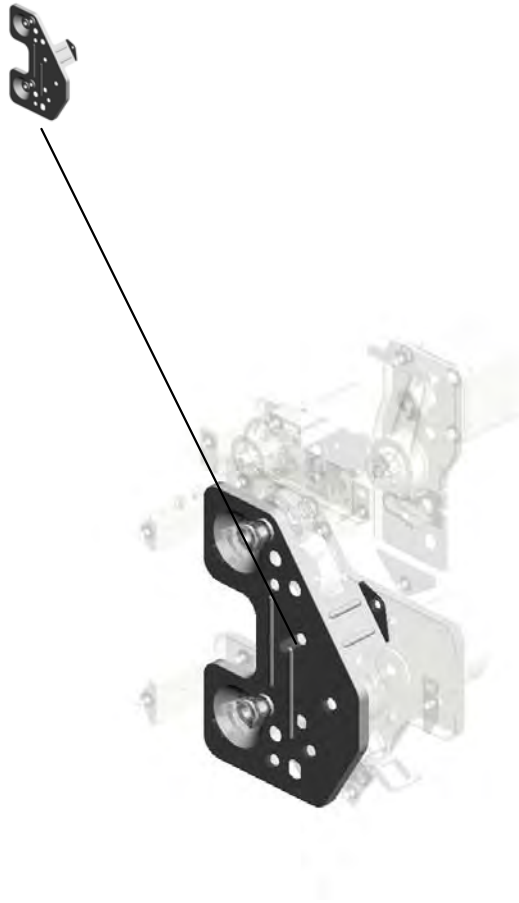
24.D1441110
DRIVE UNIT:ENGIN
E:D143/D144:ASS'Y



21.D0251139
(x3)
HOLDER:MAGNETI
C CLUTCH:DEVEL
OPMENT:COLOR

U020.MAIN DRIVE-2

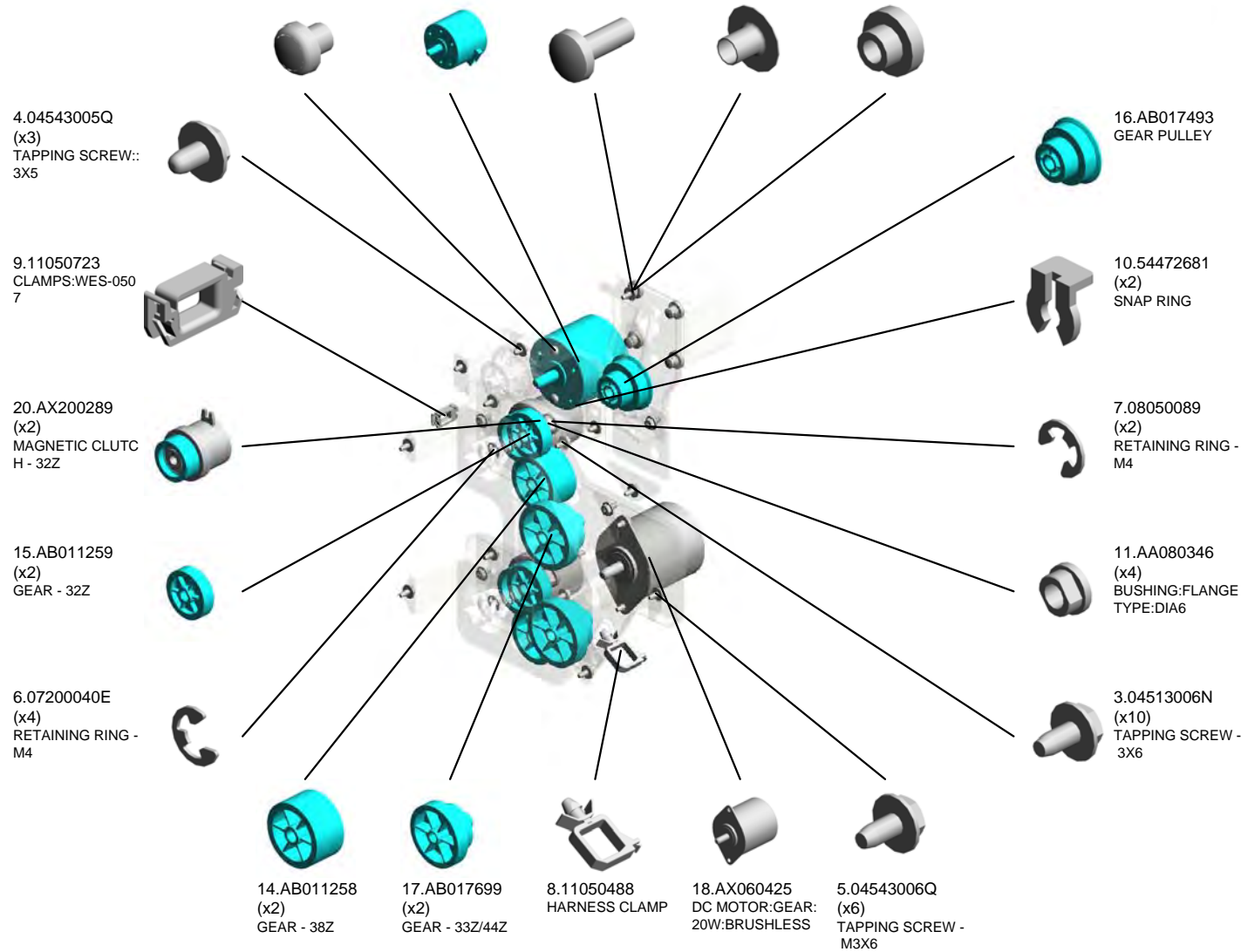
U020_S001
D1441135
DRUM STAY:DRIVE UNIT:PA
PER FEED:ASS'Y



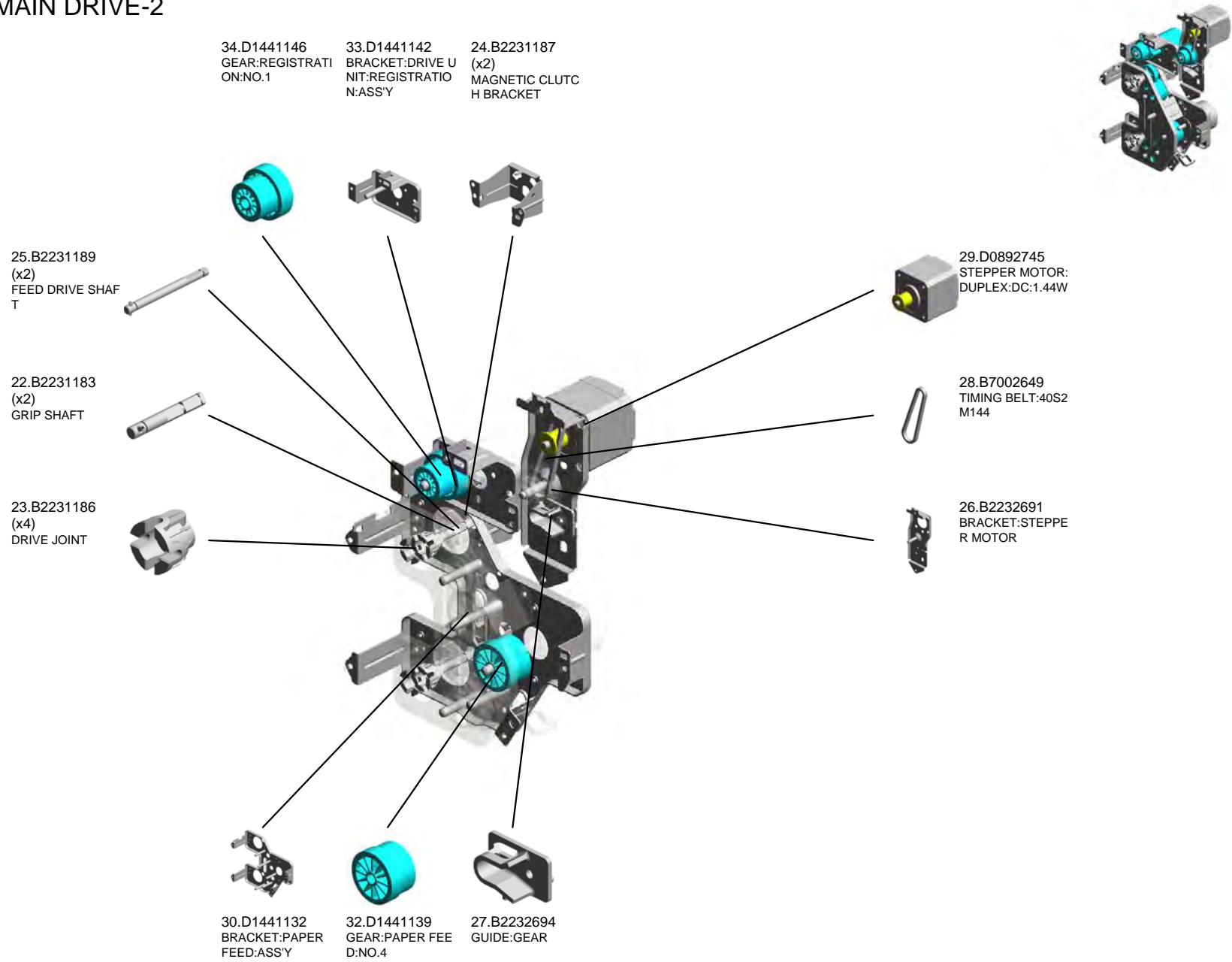
U001	U002	U003	U004	U005	U006	U007	U008	U009	U010	U011	U012	U013	U014	U015	U016	U017	U018	U019	U020	U021
------	------	------	------	------	------	------	------	------	------	------	------	------	------	------	------	------	------	------	------	------

U020 MAIN DRIVE-2

- 1.03130030N (x2) PAN HEAD SCREW :M3X3
- 19.AX060428 DC MOTOR:GEAR: 10W:BRUSHLESS
- 2.03530080N (x4) SCREW:M3X8
- 21.B0441825 (x4) COLLAR
- 13.AA101021 (x4) RUBBER BUSHING - 6 45HS

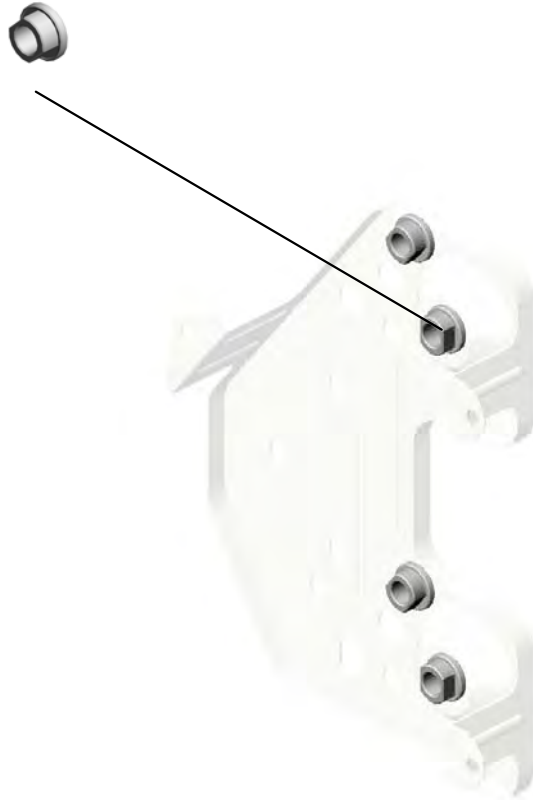


U020 MAIN DRIVE-2



U020_S001
DRUM STAY:DRIVE UNIT:PAPER FEED:ASS'Y

12.AA082101
(x4)
BUSHING - 6X10X6

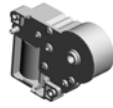


31.D1441135
DRUM STAY:DRIV
E UNIT:PAPER FEE
D:ASS'Y

U001	U002	U003	U004	U005	U006	U007	U008	U009	U010	U011	U012	U013	U014	U015	U016	U017	U018	U019	U020	U021
------	------	------	------	------	------	------	------	------	------	------	------	------	------	------	------	------	------	------	------	------

U021.MAIN DRIVE-3

U021_S001
D0891199
DRIVE UNIT:ON-OFF:TRANS
FER



U001	U002	U003	U004	U005	U006	U007	U008	U009	U010	U011	U012	U013	U014	U015	U016	U017	U018	U019	U020	U021
------	------	------	------	------	------	------	------	------	------	------	------	------	------	------	------	------	------	------	------	------

U021 MAIN DRIVE-3

1.03603016N
(x2)
SCREW - M3X16

3.D0291199
DRIVE UNIT:ON-OFF
F:TRANSFER

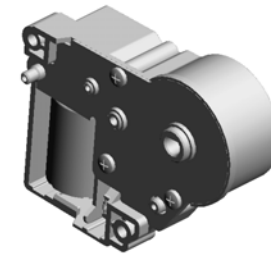
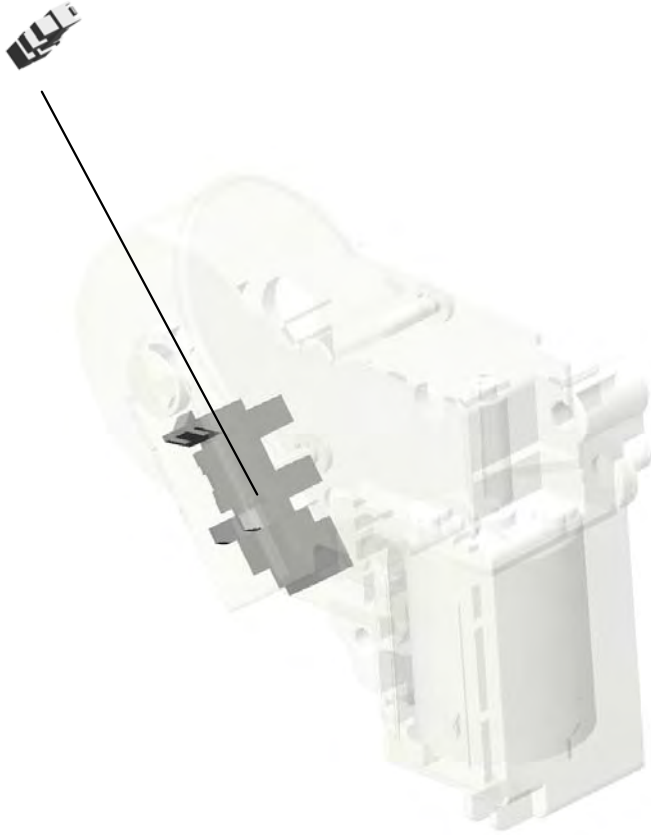


2.04543020Q
(x2)
TAPPING SCREW::
3X20



U021_S001
DRIVE UNIT:ON-OFF:TRANSFER

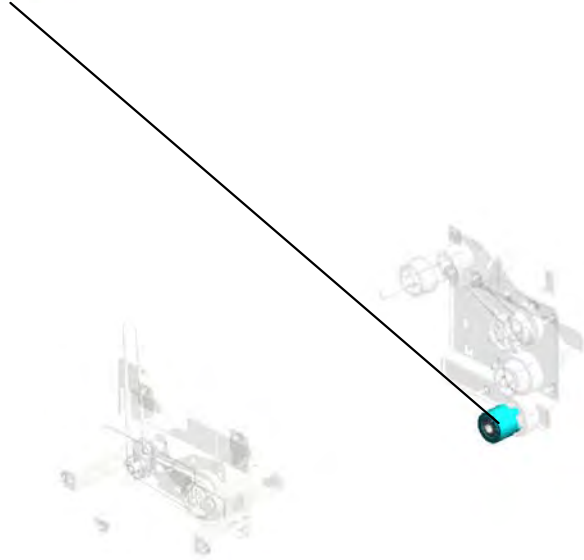
5.GW020020
PHOTOINTERRUP
TOR:LG248NL1



4.D0891199
DRIVE UNIT:ON-OFF
F:TRANSFER

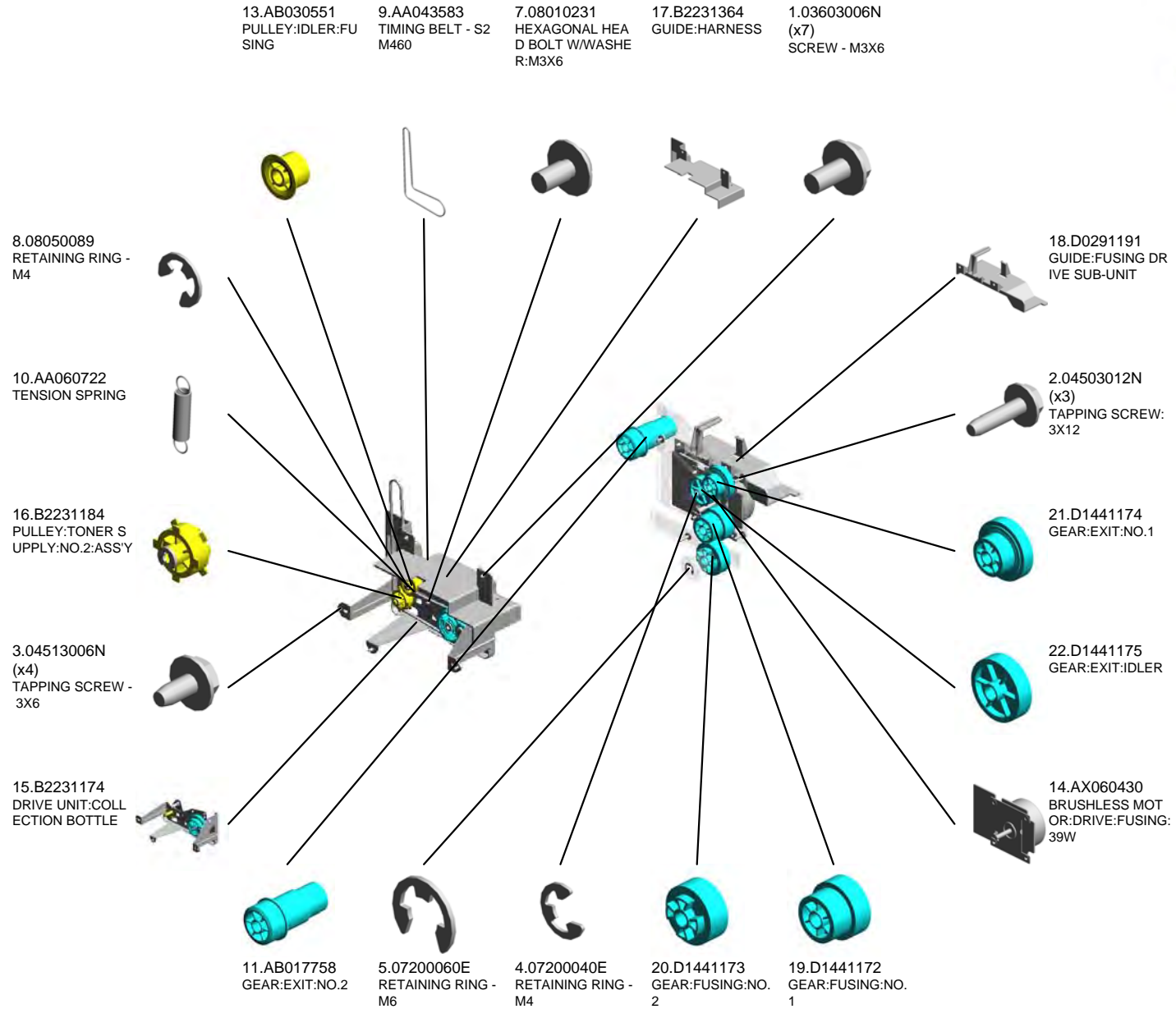
U022.MAIN DRIVE-4

U022_S001
AB017774
GEAR:FUSING:NO.3



U001	U002	U003	U004	U005	U006	U007	U008	U009	U010	U011	U012	U013	U014	U015	U016	U017	U018	U019	U020	U021
------	------	------	------	------	------	------	------	------	------	------	------	------	------	------	------	------	------	------	------	------

U022 MAIN DRIVE-4



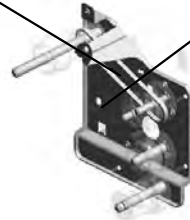
U001	U002	U003	U004	U005	U006	U007	U008	U009	U010	U011	U012	U013	U014	U015	U016	U017	U018	U019	U020	U021
------	------	------	------	------	------	------	------	------	------	------	------	------	------	------	------	------	------	------	------	------

U022
MAIN DRIVE-4

24.D4344265
TIMING BELT:40S3
M237



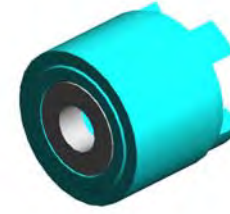
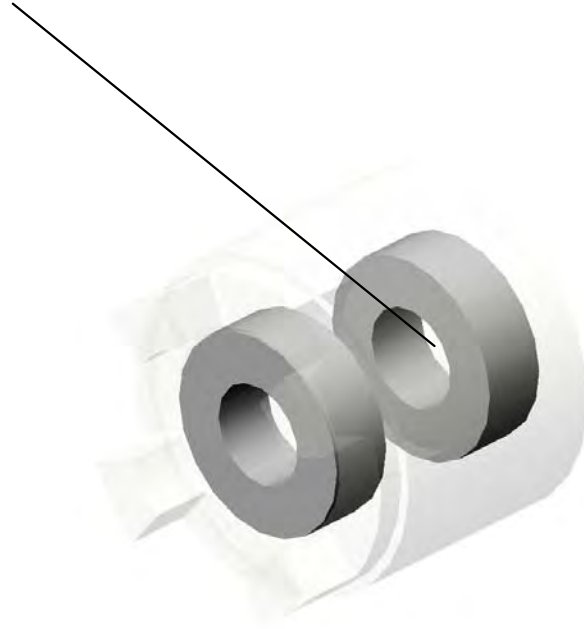
23.D1441176
BRACKET:FUSING/
PAPER EXIT UNIT:
ASSY



U001	U002	U003	U004	U005	U006	U007	U008	U009	U010	U011	U012	U013	U014	U015	U016	U017	U018	U019	U020	U021
------	------	------	------	------	------	------	------	------	------	------	------	------	------	------	------	------	------	------	------	------

U022_S001
GEAR:FUSING:NO.3

6.07403808
(x2)
BALL BEARING - 8
X16X5MM



12.AB017774
GEAR:FUSING:NO.
3

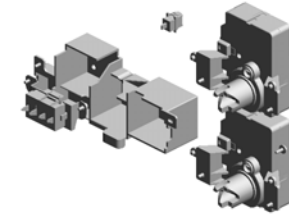
U001	U002	U003	U004	U005	U006	U007	U008	U009	U010	U011	U012	U013	U014	U015	U016	U017	U018	U019	U020	U021
------	------	------	------	------	------	------	------	------	------	------	------	------	------	------	------	------	------	------	------	------

U023 MAIN DRIVE-5

1.04543006Q
(x2)
TAPPING SCREW -
M3X6

6.B2232721
BRACKET:PUSH S
WITCH

3.AW500023
PUSH SWITCH



4.AW500038
PUSH SWITCH:PA
PER SIZE SENSOR



5.AX040154
(x2)
DC MOTOR 24V



2.04543008Q
(x6)
TAPPING SCREW:
3X8

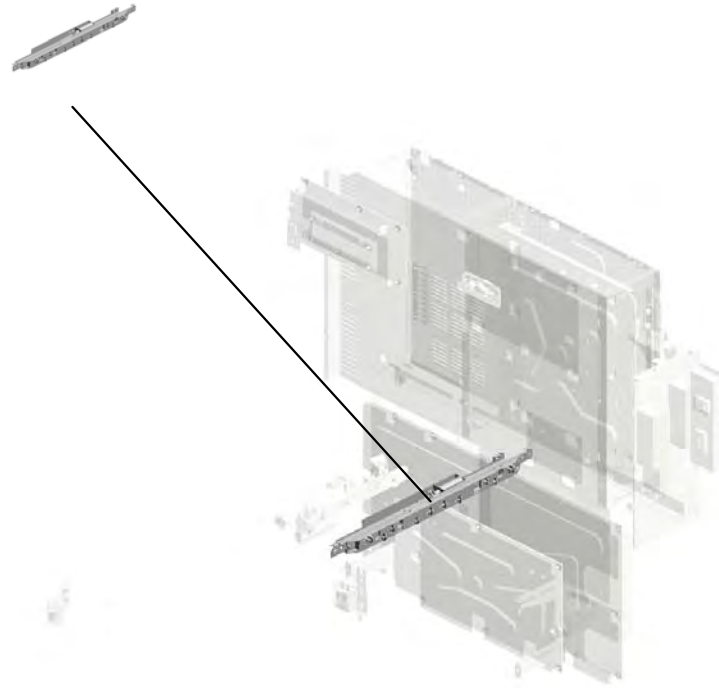


7.B2232722
COVER



U024.ELECTRICAL

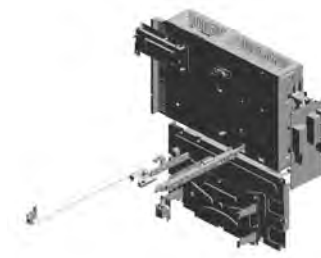
U024_S001
D1445861
DENSITY SENSOR:ASS'Y



U001	U002	U003	U004	U005	U006	U007	U008	U009	U010	U011	U012	U013	U014	U015	U016	U017	U018	U019	U020	U021
------	------	------	------	------	------	------	------	------	------	------	------	------	------	------	------	------	------	------	------	------

U024 ELECTRICAL

- 4.04513006N (x26) TAPPING SCREW - 3X6
- 24.AZ320185 POWER PACK:TTS :AP-C2
- 13.11050516 (x2) CLAMP
- 3.04503008N (x2) TAPPING SCREW - M3X8
- 9.11029782 CONNECTOR:5140 5-1819



14.11050640
CLAMP



21.AA143219
(x2)
STEPPED SCREW



8.09544008N
SCREW - M4X8



17.12042917
SWITCH:A8GS-T1L
285KR:AC250V/10A



7.07200030E
RETAINING RING -
M3



16.12042912
(x2)
MICRO SWITCH:D3
V-16-3C25(10E)



2.03530250N
(x2)
SCREW:M3X25



20.AA063568
(x2)
PRESSURE SPRING



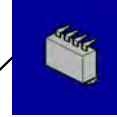
11.11050508
HARNESS CLAMP -
LWS-0711



10.11050409
(x2)
CARD SPACER - 6.
4MM



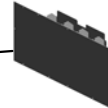
18.14077667
EEPROM:BR24T12
8-W



12.11050511
HARNESS CLAMP -
LWS-0306ZC



22.AZ240208
POWER SUPPLY U
NIT:618W:NA:D143/
D144



23.AZ320182
POWER PACK:CB



6.04543006Q
(x22)
TAPPING SCREW -
M3X6



U024 ELECTRICAL



- 30.B2235834 BRACKET:POWER
PACK:TRANSFER
- 39.D0295861 (x3)
GASKET:65TFV5-0.
5:L90
- 37.B2385891 DRAWER BRACKE
T
- 44.D1445120 PCB:IOB
- 38.D0295806 BRACKET:IOB

47.D1445825
LINK:POWER SOU
RCE:SWITCH

43.D1441087
(x4)
SCREW:LEVER:DR
UM STAY

27.B2235813
SAFETY SWITCH B
RACKET

34.B2385821
BRACKET - MAIN S
WITCH HANDLE

46.D1445824
COVER:SLIDE SWI
TCH:C3

28.B2235814
BRACKET - SAFET
Y SWITCH LEVER

50.M1255110
PCB:BCU:ASSY

26.B2235812
(x2)
HINGE: PANEL:CO
NTROL BOARD

32.B2235843
BRACKET:RACK:A
PPLICATION

45.D1445196
AC CONTROL BOA
RD:NA/TWN

33.B2235866
GROUND WIRE:RA
CK:RIGHT LOWER:
HF

40.D0295863
GASKET:65TSV5-2:
L23

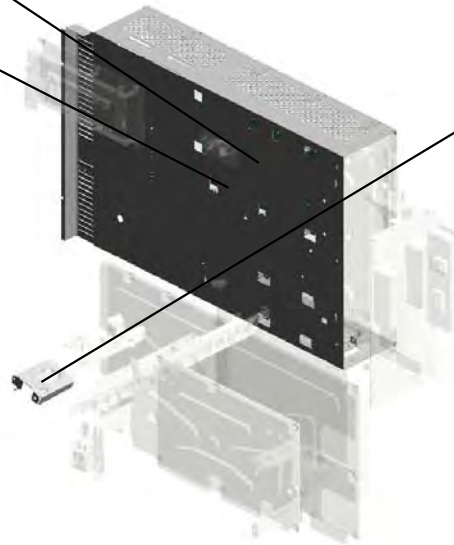
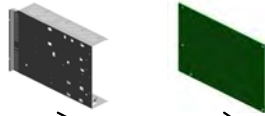
31.B2235841
HINGE:APPLICATI
ON:RACK

29.B2235816
PLATE:RACK:AUXI
LIARY:RIGHT

49.G1335804
RACK:INNER BACK
:AUXILIARY:RIGHT

U024
ELECTRICAL

52.M1255800 51.M1255146
RACK:INNER BACK PCB:BRIDGE
:ASS'Y



53.M1255827
BRACKET:MAIN S
WITCH

U001	U002	U003	U004	U005	U006	U007	U008	U009	U010	U011	U012	U013	U014	U015	U016	U017	U018	U019	U020	U021
------	------	------	------	------	------	------	------	------	------	------	------	------	------	------	------	------	------	------	------	------

U024_S001
 DENSITY SENSOR:ASS'Y

19.AA060151
 TENSION SPRING

35.B2385867
 HOOK:SOLENOID:
 SENSOR:TM

1.03125040N
 (x2)
 SCREW - M2.5X4



48.D1445861
 DENSITY SENSOR:
 ASS'Y

42.D1441085
 (x2)
 STEPPED SCREW:
 M3



5.04513008N
 (x6)
 TAPPING SCREW -
 M3X8



15.11050723
 CLAMPS:WES-050
 7



25.B0042310
 (x10)
 SPUR



36.B2385875
 DC SOLENOID DC2
 4V



41.D0896395
 DENSITY SENSOR

U001	U002	U003	U004	U005	U006	U007	U008	U009	U010	U011	U012	U013	U014	U015	U016	U017	U018	U019	U020	U021
------	------	------	------	------	------	------	------	------	------	------	------	------	------	------	------	------	------	------	------	------

U025 CONTROLLER

14.M4395702
SERVICE PARTS:P
CB:CTL:AP-P3C:EX
P:(for M124)

15.M4395703
SERVICE PARTS:P
CB:CTL:AP-P3D:EX
P:(for M125)

11.G1786062
PCB:PC4200:RAW
CARD-C:512MB

8.D0145974
COVER:CONNECT
OR:EFI

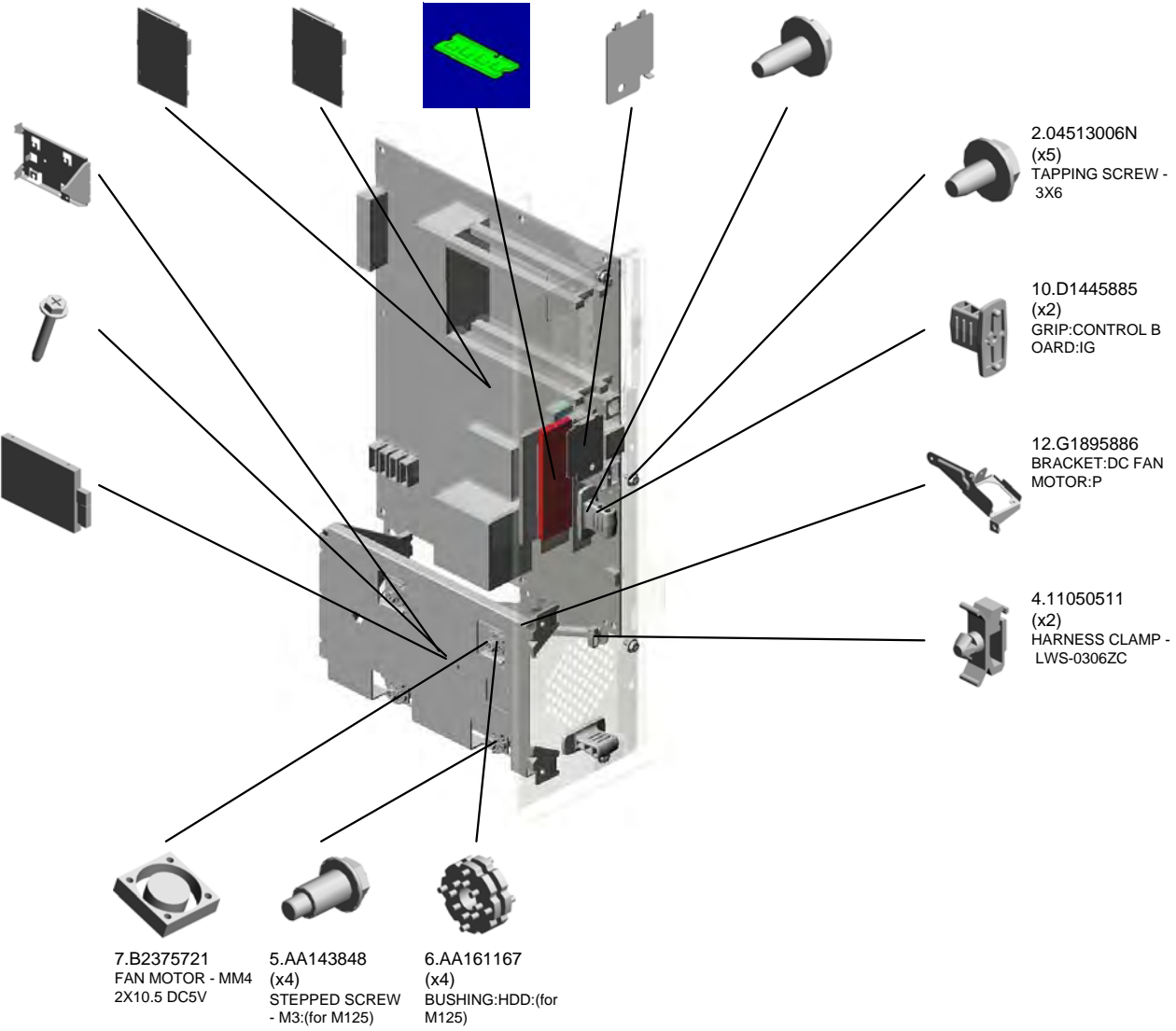
1.04503008N
(x2)
TAPPING SCREW -
M3X8



13.M1255882
BRACKET:HDD:P3:
(for M125)

3.04513016N
(x2)
TAPPING SCREW -
3X16

9.D1425765
HDD:TOSHIBA:250
GB:(for M125)



7.B2375721
FAN MOTOR - MM4
2X10.5 DC5V

5.AA143848
(x4)
STEPPED SCREW
- M3:(for M125)

6.AA161167
(x4)
BUSHING:HDD:(for
M125)

2.04513006N
(x5)
TAPPING SCREW -
3X6

10.D1445885
(x2)
GRIP:CONTROL B
OARD:IG

12.G1895886
BRACKET:DC FAN
MOTOR:P

4.11050511
(x2)
HARNESS CLAMP -
LWS-0306ZC

U001	U002	U003	U004	U005	U006	U007	U008	U009	U010	U011	U012	U013	U014	U015	U016	U017	U018	U019	U020	U021
------	------	------	------	------	------	------	------	------	------	------	------	------	------	------	------	------	------	------	------	------

U026 MAIN FRAME



- 9.04543008Q (x1) TAPPING SCREW: 3X8
- 3.04503010N (x13) TAPPING SCREW - M3X10
- 8.04543006Q (x87) TAPPING SCREW - M3X6
- 5.04513006N (x37) TAPPING SCREW - 3X6
- 10.04563008N TAPPING SCREW - M3X8

18.11050489 (x2) HARNESS CLAMP - LWS 1316



1.03603006N (x3) SCREW - M3X6



7.04513030N (x2) TAPPING SCREW: 3X30



19.11050511 (x12) HARNESS CLAMP - LWS-0306ZC



16.11050487 (x8) HARNESS CLAMP



2.03603008N (x2) SCREW: M3X8



4.04503020N (x2) TAPPING SCREW: M3X20



15.11028534 CONNECTOR - QR/ P17-14S-B



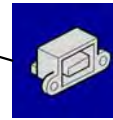
17.11050488 (x7) HARNESS CLAMP



20.11050516 (x15) CLAMP



14.11028502 CONNECTOR - 546 79-1615



11.08025305 TAPPING SCREW - M3X6



6.04513008N (x6) TAPPING SCREW - M3X8



13.11024559 (x2) CONNECTOR - 3P



12.08025308 (x8) TAPPING SCREW: F AN



U026 MAIN FRAME

24.AX640199
FAN:MM80:25MM:D
C 2.16W

22.AW100142
THERMISTOR:MAI
N

28.B2231101
GRIP:FRONT

25.AX650045
SIROCCO FAN:DC
24V 2.6W

37.B2231315
(x4)
BALL BEARING PL
ATE



34.B2231238
DUCT:REAR:3

33.B2231237
DUCT:REAR:2

32.B2231236
DUCT:REAR:1

35.B2231239
DUCT:REAR:LOWE
R

23.AW140012
TEMPERATURE &
HUMIDITY SENSO
R

31.B2231207
COVER:CONNECT
OR:HEATER

27.B2231065
CONNECTOR BRA
CKET

29.B2231120
BRACKET:PAPER
FEED UNIT

26.B1011097
(x6)
RUBBER FOOT:H5

21.11050534
(x3)
CLAMP

38.B2231316
(x4)
BALL BEARING CLI
P

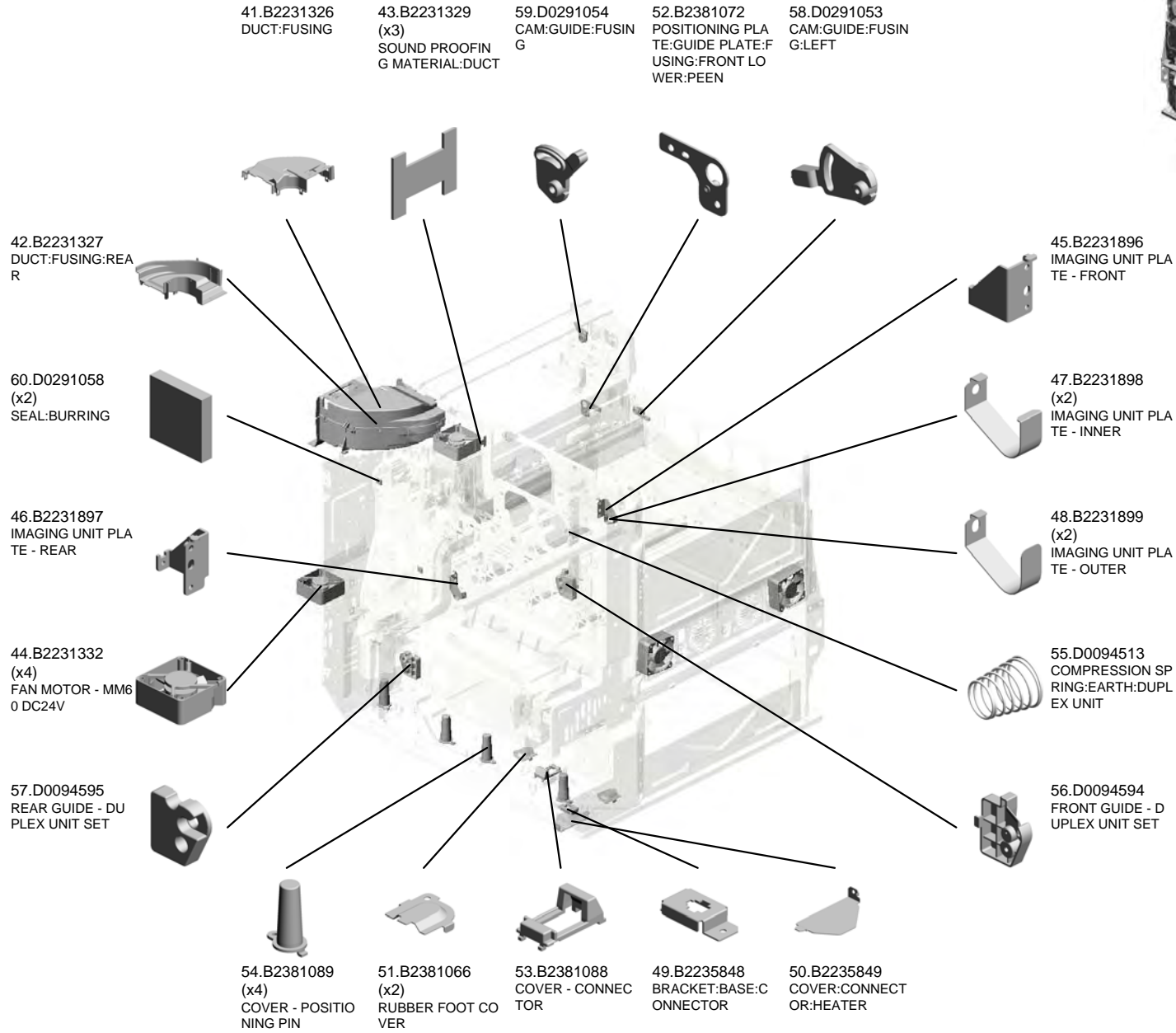
40.B2231319
WIRE

30.B2231123
HINGE - COVER D
RUM STAY

39.B2231318
SPRING

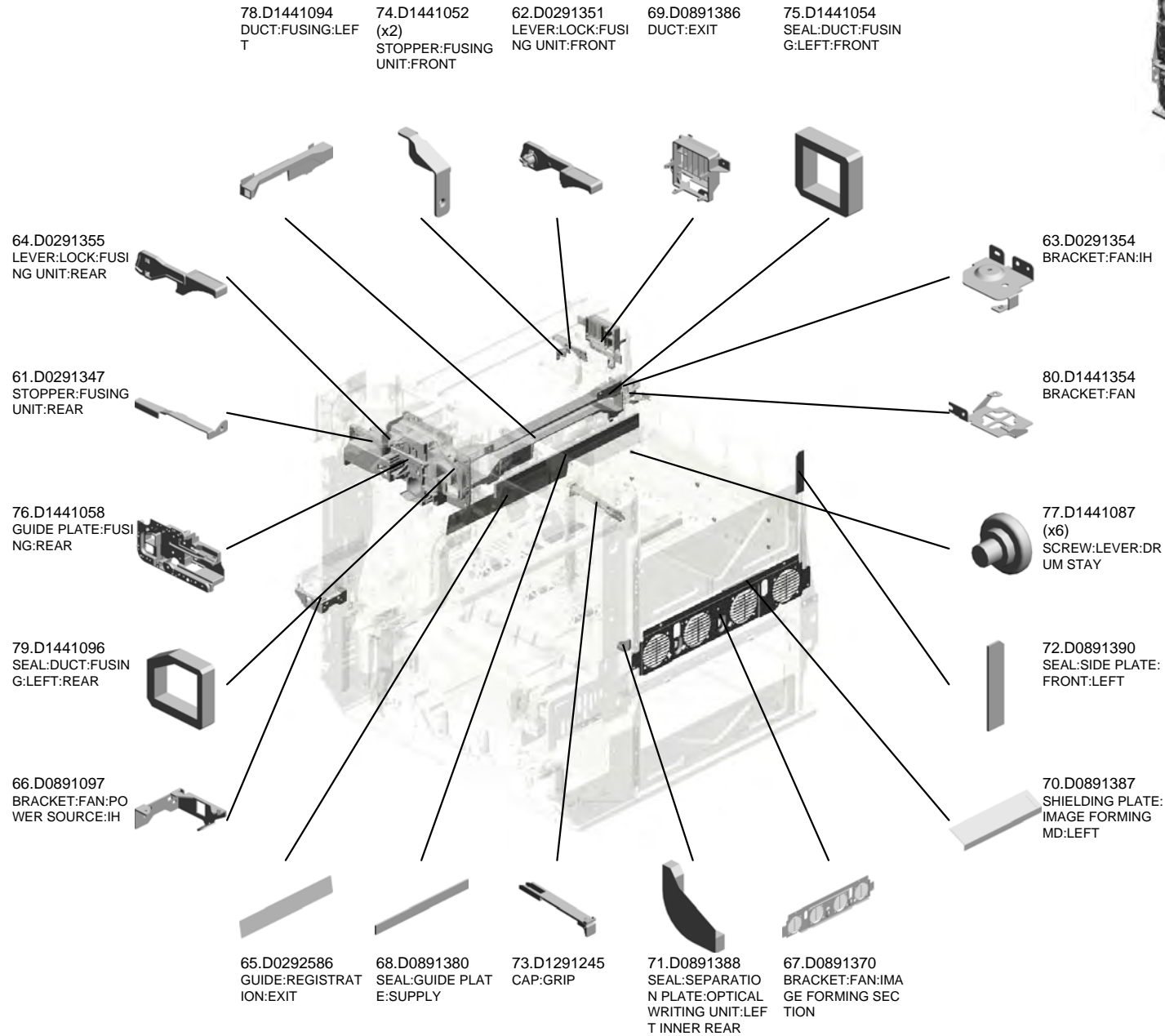
36.B2231306
DRUM STAY

U026 MAIN FRAME



U001	U002	U003	U004	U005	U006	U007	U008	U009	U010	U011	U012	U013	U014	U015	U016	U017	U018	U019	U020	U021
------	------	------	------	------	------	------	------	------	------	------	------	------	------	------	------	------	------	------	------	------

U026 MAIN FRAME



U001	U002	U003	U004	U005	U006	U007	U008	U009	U010	U011	U012	U013	U014	U015	U016	U017	U018	U019	U020	U021
------	------	------	------	------	------	------	------	------	------	------	------	------	------	------	------	------	------	------	------	------

U026 MAIN FRAME



- 96.M1251383 (x3) SOUND PROOFING MATERIAL:DUCT
- 95.M1251382 DUCT:SUPPLY:REAR
- 94.M1251381 DUCT:SUPPLY:FRONT
- 97.M1256821 (x2) DECAL:GUIDE:FUSING
- 89.D1446823 (x2) DECAL:LEVER:LOCK:FUSING

90.G1331296
OZONE FILTER:NO.2:P

93.M1251351 (x2) KNOB SCREW:M3:AG

91.G1331343 DUCT:SUPPLY:UPPER REAR:P1

84.D1441371 SEAL:DUCT:HEATER:FRONT

92.GX640031 (x6) FAN MOTOR:DC:2.64W

88.D1441385 DUCT:SUPPLY:TUBE

83.D1441369 DUCT:REAR:LOWER RIGHT

81.D1441355 SEAL:BRACKET:FAN

82.D1441356 BRACKET:FILTER:FRONT RIGHT:ASSY

85.D1441379 GUIDE PLATE:SUPPLY

86.D1441383 DUCT:HEATER:FRONT

87.D1441384 DUCT:HEATER:REAR

ACCESSORIES



1.11500438
POWER SUPPLY CODE:AC125V:15A: FERRITE CORE:E04SR241336A
NA



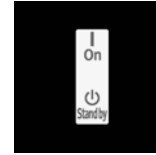
2.16071859
FERRITE CORE:E04SR241336A



3.AA001564
PLATE:LOGOTYPE:RIC



4.D1206490
DECAL:CAUTION:INKJET



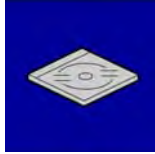
5.D1208868
DECAL:MAIN SWITCH:ON-STANDBY:
DOM:NA



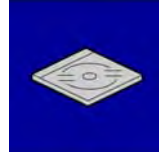
6.GA003264
DECAL:PS3:I-GRAY



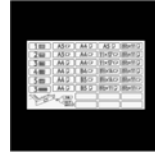
7.M1246801
DECAL:MODEL NAME PLATE:AP-P3
C:EXP:RIC:(for M124)



8.M1246813
ACCESSORY:CD-ROM 2PCS:NA:ASS
Y



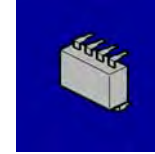
9.M1246825
CD-ROM:MANUAL:AP-P3:NA/AA:ASS
Y



10.M1252877
DECAL:SIZE INDICATION:PAPER TR
AY



11.M1256801
DECAL:MODEL NAME PLATE:M125:E
XP:RIC:(for M125)

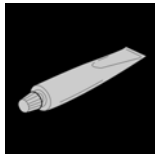


12.M1259590
NVRAM

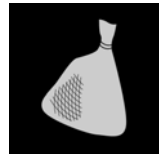
SPECIAL TOOLS



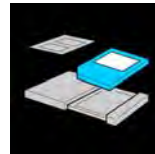
1.52039502
SILICON GREASE G-501



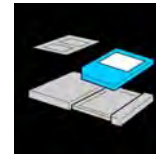
2.A2579300
GREASE BARRIERTA - S552R



3.B1329700
LUBRICANT POWDER



4.B6455010
SD CARD 128MB



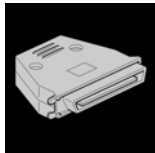
5.B6455020
SD CARD 1GB



6.B6795100
PLUG - IEEE1284 TYPE C



7.C4019503
20X MAGNIFICATION SCOPE



8.G0219350
LOOP-BACK CONNECTOR

Exclusive Parts

Number	Part Name	Group	ID
52039502	SILICON GREASE G-501	SPECIAL TOOLS	1
52062686	SNAP RING	U006_S001	8
		U006_S002	8
54472681	SNAP RING	U018	20
		U020	10
A2322987	ROLLER - PAPER TRAY	U004_S001	5
		U005_S001	5
A2579300	GREASE BARRIERTA - S552R	SPECIAL TOOLS	2
A2596754	BUSHING - 6 6MM	U018	21
A2672857	SPRING PLATE - SIDE FENCE	U004_S001_S003	6
		U005_S001_S003	6
A2672859	SIDE FENCE STOPPER	U004_S001_S003	7
		U005_S001_S003	7
AA001564	PLATE:LOGOTYPE:RIC	ACCESSORIES	3
AA043583	TIMING BELT - S2M460	U022	9
AA060151	TENSION SPRING	U024_S001	19
AA060691	TENSION SPRING	U006_S001	9
		U006_S002	9
AA060693	TENSION SPRING	U006_S001	10
		U006_S002	10
AA060722	TENSION SPRING	U022	10
AA060872	SPRING	U018	22
AA060989	SPRING:FUSING EXIT:PRESSURE	U015	11
AA061003	TENSION SPRING:SIDE FENCE:REAR	U004_S001	8
		U005_S001	8
AA061014	TENSION SPRING:GRIP	U004_S001	9
		U005_S001	9
AA061026	COMPRESSION SPRING:DRIVEN ROLLER	U015	12
AA061092	TORSION SPRING:STRIPPER PLATE:FRONT	U015	13
AA061093	TORSION SPRING:STRIPPER PLATE:REAR	U015	14
AA061095	COMPRESSION SPRING:PRESSURE	U015	15
AA061096	TENSION SPRING:SHUTTER	U015	16
AA062259	SPRING - RELEASE	U006_S001	11
		U006_S002	11

Number	Part Name	Group	ID
AA063499	PRESSURE SPRING	U018	23
AA063568	PRESSURE SPRING	U018	24
		U024	20
AA080156	BUSHING - M4	U017_S001	9
AA080254	BUSHING - M4	U018	25
AA080346	BUSHING:FLANGE TYPE:DIA6	U020	11
AA080348	BUSHING:DRIVEN ROLLER	U015	17
AA082101	BUSHING - 6X10X6	U006_S001_S001	12
		U006_S002_S001	12
		U007	7
		U008	11
		U011_S001	7
		U012_S001	3
		U016	14
		U018	26
AA082102	BUSHING - 6X10X6	U019_S001	10
		U020_S001	12
AA082104	BUSHING - 6X10X6	U006_S001	13
AA082104	BUSHING - 8X12X7	U006_S002	13
AA082143	BUSHING - 8X12X7	U018	27
		U006_S001	14
		U006_S001_S002	14
		U006_S002	14
AA082143	BUSHING - 6X10X6	U006_S002_S002	14
		U018	28
AA082144	BUSHING - 8X12X7	U018	29
AA082150	PLAIN SHAFT BEARING:M6	U006_S001	15
		U006_S002	15
AA082156	BUSHING:DIA6XDIA10X6	U017_S001	10
AA083014	ONE-WAY CLUTCH	U018	30
AA083018	ROLLER CLUTCH - 6X14X10	U018	31
AA100014	RETAINING RING C - SEPARATE	U006_S001	16
		U006_S002	16
		U018	32
AA100015	SNAP RING - M6	U019_S001	11
AA101021	RUBBER BUSHING - 6 45HS	U018	33
		U020	13
AA140778	SHAFT:SEPARATOR:DRIVE	U018	34

Exclusive Parts

Number	Part Name	Group	ID
AA140936	SHAFT:FEED:MANUAL FEED	U018	35
AA143183	STEPPED SCREW	U018	36
AA143219	STEPPED SCREW	U024	21
AA143404	STEPPED SCREW - M4	U018	37
AA143807	SCREW:A	U018	38
AA143848	STEPPED SCREW - M3:(for M125)	U025	5
AA143849	SCREW:DIA4:M3	U015	18
AA143870	STEPPED SCREW	U015	19
AA148810	PIN:LEVER	U015	20
AA148811	POSITIONING PIN:HOLDER:PRESSURE ROLLER	U015	21
AA161163	CUSHION	U006	17
AA161167	BUSHING:HDD:(for M125)	U025	6
AB010156	GEAR:SEPARATE:DRIVE	U006_S001	18
		U006_S002	18
AB010157	GEAR:SEPARATE:DRIVEN	U006_S001	19
		U006_S002	19
AB011218	GEAR - ROLLER CLUTCH	U006_S001	20
		U006_S002	20
AB011223	IDLER GEAR - 25Z	U018	39
AB011252	GEAR - 20Z	U006_S001	21
		U006_S002	21
AB011258	GEAR - 38Z	U020	14
AB011259	GEAR - 32Z	U020	15
AB011387	GEAR - 23Z	U018	40
AB011416	GEAR - 20Z	U018	41
AB014161	REVERSE ROLLER GEAR	U018	42
AB014334	GEAR:SHUTTER	U015	22
AB014335	GEAR:IDLER:SHUTTER	U015	23
AB014338	GEAR:DRIVE:FUSING UNIT	U015_S001	24
AB014339	GEAR:IDLER:PRESSURE ROLLER	U015_S002	25
AB017493	GEAR PULLEY	U020	16
AB017699	GEAR - 33Z/44Z	U020	17
AB017758	GEAR:EXIT:NO.2	U022	11
AB017774	GEAR:FUSING:NO.3	U022_S001	12
AB030551	PULLEY:IDLER:FUSING	U022	13
AB030888	TIMING PULLEY:DEVELOPMENT:NO.1	U019_S001	12

Number	Part Name	Group	ID
AF013016	BOTTOM PLATE PAD	U018	43
AF030049	PICK-UP ROLLER	U018	44
AF030085	PAPER FEED ROLLER - PICKUP	U006_S001	22
		U006_S002	22
AF031046	FEED ROLLER - MANUAL FEED	U018	45
AF031085	PAPER FEED ROLLER - FEED	U006_S001	23
		U006_S002	23
AF032046	SEPARATION ROLLER - MANUAL FEED	U018	46
AF032085	PAPER FEED ROLLER - SEPARATE	U006_S001	24
		U006_S002	24
AF033010	PAD	U004_S001_S001	10
		U005_S001_S001	10
AG070514	MAGNET CATCH	U018	47
AG071012	MAGNET CATCH:ASS'Y	U001	3
AW010107	PAPER FEED SENSOR	U007	8
		U017_S001	11
		U018	48
AW010118	PAPER FEED SENSOR	U018	49
AW010122	PAPER FEED SENSOR	U006_S001	25
		U006_S002	25
AW010128	PAPER FEED SENSOR	U006_S001	26
		U006_S002	26
AW010147	PHOTO REFLECTION SENSOR	U017_S001	12
AW020145	PHOTOINTERRUPTOR:FLAT	U017_S001	13
		U018	50
		U019_S001	13
AW020160	PAPER FEED SENSOR	U013	6
AW020185	TONER END SENSOR	U008_S002	12
		U008_S003	12
		U008_S004	12
AW020190	PHOTOINTERRUPTOR	U016	15
AW020204	PHOTOINTERRUPTOR:LGRC102	U006_S001	27
		U006_S002	27
AW100138	THERMOPILE	U016	16
AW100142	THERMISTOR:MAIN	U026	22
AW100143	THERMISTOR:PRESSURE:FRONT	U015	26
AW100144	THERMISTOR:PRESSURE:MIDDLE	U015	27

Exclusive Parts

Number	Part Name	Group	ID
AW100145	TEMPERATURE SENSOR:NC-F10: MIDDLE	U015	28
AW100146	TEMPERATURE SENSOR:NC-F10: REAR	U015	29
AW110101	THERMOSTAT:LOWER	U015	30
AW110102	THERMOSTAT:MIDDLE:UPPER	U015	31
AW140012	TEMPERATURE & HUMIDITY SENSOR	U026	23
AW500023	PUSH SWITCH	U013	7
		U017_S001	14
		U023	3
AW500031	PAPER SIZE SENSOR	U018	51
AW500035	PAPER END SENSOR	U018	52
AW500038	PUSH SWITCH:PAPER SIZE SENSOR	U023	4
AX040154	DC MOTOR 24V	U023	5
AX060356	BRUSHLESS MOTOR:DC24V 18W	U019_S001	14
AX060396	DC POLYGON MIRROR MOTOR:24W	U003	6
		U003_S001	6
AX060412	BRUSHLESS MOTOR:DC:INTERMEDIATE TRANSFER:10W	U019_S001	15
AX060425	DC MOTOR:GEAR:20W:BRUSHLESS	U020	18
AX060426	BRUSHLESS MOTOR:DRIVE:DRUM:28W	U019_S001	16
AX060428	DC MOTOR:GEAR:10W:BRUSHLESS	U020	19
AX060430	BRUSHLESS MOTOR:DRIVE:FUSING:39W	U022	14
AX200289	MAGNETIC CLUTCH - 32Z	U020	20
AX200320	ELECTROMAGNETIC CLUTCH	U018	53
AX200322	MAGNETIC CLUTCH:DEVELOPMENT:BK	U019_S001	17
AX200330	MAGNETIC CLUTCH:DEVELOPMENT:0.5NM:YMC	U019_S001	18
AX640199	FAN:MM80:25MM:DC 2.16W	U026	24
AX650045	SIROCCO FAN:DC24V 2.6W	U026	25
AZ240208	POWER SUPPLY UNIT:618W:NA:DC	U024	22

Number	Part Name	Group	ID
	143/D144		
AZ300060	POWER PACK:D:AT/AP-C2	U018	54
AZ320182	POWER PACK:CB	U024	23
AZ320185	POWER PACK:TTS:AP-C2	U024	24
B0042310	SPUR	U024_S001	25
B0042923	SPRING PLATE - RELEASE LEVER	U004_S001_S002	11
		U005_S001_S002	11
B0241264	MAGNET CATCH	U001_S001	4
B0441825	COLLAR	U018	55
		U020	21
B0441847	SHOULDER SCREW	U018	56
B1011097	RUBBER FOOT:H5	U026	26
B1202063	BUSHING - 4MM	U017_S001	15
B1329700	LUBRICANT POWDER	SPECIAL TOOLS	3
B1802782	SEAL:TRAY	U005	12
B1802871	SHAFT:SEPARATOR:DRIVEN:ASS'Y	U018_S001	57
B2231065	CONNECTOR BRACKET	U026	27
B2231101	GRIP:FRONT	U026	28
B2231120	BRACKET:PAPER FEED UNIT	U026	29
B2231123	HINGE - COVER DRUM STAY	U026	30
B2231144	HOLDER:POSITIONING SENSOR	U019_S001	19
B2231174	DRIVE UNIT:COLLECTION BOTTLE	U022	15
B2231183	GRIP SHAFT	U020	22
B2231184	PULLEY:TONER SUPPLY:NO.2:ASS'Y	U022	16
B2231186	DRIVE JOINT	U020	23
B2231187	MAGNETIC CLUTCH BRACKET	U020	24
B2231189	FEED DRIVE SHAFT	U020	25
B2231207	COVER:CONNECTOR:HEATER	U026	31
B2231236	DUCT:REAR:1	U026	32
B2231237	DUCT:REAR:2	U026	33
B2231238	DUCT:REAR:3	U026	34
B2231239	DUCT:REAR:LOWER	U026	35
B2231249	STOPPER:MAGNET CATCH	U001	5
B2231276	FILTER:RIGHT REAR	U001	6
B2231306	DRUM STAY	U026	36
B2231315	BALL BEARING PLATE	U026	37

Exclusive Parts

Number	Part Name	Group	ID
B2231316	BALL BEARING CLIP	U026	38
B2231318	SPRING	U026	39
B2231319	WIRE	U026	40
B2231326	DUCT:FUSING	U026	41
B2231327	DUCT:FUSING:REAR	U026	42
B2231329	SOUND PROOFING MATERIAL:DU CT	U026	43
B2231332	FAN MOTOR - MM60 DC24V	U026	44
B2231364	GUIDE:HARNESS	U022	17
B2231882	COVER - POLYGON MOTOR	U003	7
		U003_S001	7
B2231896	IMAGING UNIT PLATE - FRONT	U026	45
B2231897	IMAGING UNIT PLATE - REAR	U026	46
B2231898	IMAGING UNIT PLATE - INNER	U026	47
B2231899	IMAGING UNIT PLATE - OUTER	U026	48
B2231903	LOUVER	U003	8
		U003_S001	8
B2232608	GEAR:Z16	U018	58
B2232622	GUIDE PLATE:EXIT	U018	59
B2232623	COVER:GUIDE PLATE:EXIT	U018	60
B2232629	STAY:FEED	U018	61
B2232632	DC SOLENOID:PICKUP	U018	62
B2232633	SPRING:RELEASE:PICKUP	U018	63
B2232634	SUPPORT STAY:ARM	U018	64
B2232636	TORSION SPRING:27N	U018	65
B2232637	BRACKET:ARM:MANUAL FEED:RE AR	U018	66
B2232648	GUIDE PLATE:TRANSPORT UNIT: EXIT	U018	67
B2232649	SPRING:PRESSURE:5N	U018	68
B2232651	ARM:MANUAL FEED:FRONT	U018	69
B2232652	ARM:MANUAL FEED:REAR	U018	70
B2232665	SPRING:COVER:MANUAL FEED	U018	71
B2232666	GEAR:16Z	U018	72
B2232668	SPRING PLATE:STOPPER	U018	73
B2232676	SPRING - 11N	U018	74
B2232681	ARM:TIGHTENER	U018	75
B2232683	GEAR:25Z	U018	76

Number	Part Name	Group	ID
B2232686	GEAR:Z31	U018	77
B2232689	GEAR:Z28	U018	78
B2232691	BRACKET:STEPPER MOTOR	U020	26
B2232694	GUIDE:GEAR	U020	27
B2232696	DRUM STAY:DRIVE	U018	79
B2232705	SUPPORTER - LEFT NO.1	U006	28
B2232710	SUPPORTER - LEFT NO.2	U006	29
B2232713	RACK:MANUAL FEED	U018	80
B2232714	POSITIONING CAP - SHORT	U006	30
B2232715	SUPPORTER - RIGHT	U006	31
B2232721	BRACKET:PUSH SWITCH	U023	6
B2232722	COVER	U023	7
B2232727	COVER - CONNECTOR	U006	32
B2232762	FEED SHAFT	U006_S001	33
		U006_S002	33
B2232765	GROUND PLATE - FEED	U006_S001	34
		U006_S002	34
B2232772	HARNESS SHEET	U006_S001	35
		U006_S002	35
B2232776	STAY	U006_S001	36
		U006_S002	36
B2232780	DC SOLENOID 24V	U006_S001	37
		U006_S002	37
B2232786	GROUND PLATE - FRONT	U006_S001	38
		U006_S002	38
B2232810	SEPARATE DRIVEN SHAFT	U006_S001_S001	39
		U006_S002_S001	39
B2232815	SEPARATE DRIVE SHAFT	U006_S001	40
		U006_S002	40
B2232837	GUIDE:SWIVEL	U006	41
B2232846	BRACKET:COVER:HARNESS	U006	42
B2232848	COVER:HARNESS	U006	43
B2232861	GRIP HOLDER	U004_S001	12
		U005_S001	13
B2232862	LEVER - RELEASE INNER	U004_S001	13
		U005_S001	14
B2232865	RISE NO.1 SHAFT	U004_S001	14
		U005_S001	15

Exclusive Parts

Number	Part Name	Group	ID
B2232868	LEVER:RELEASE:PAPER TRAY:OUTER	U004_S001	15
		U005_S001	16
B2232869	GROUND PLATE	U004_S001	16
B2232873	DECAL - SIDE FENCE REAR	U004_S001_S003	17
B2232890	SLIDE RAIL - LEFT	U004_S001	18
B2232894	SLIDE RAIL STOPPER - LEFT	U004_S001	19
B2232910	LINK - PAPER SIZE SENSOR	U005_S001	17
B2232911	SPACER	U005_S001	18
B2232918	RISE LEVER	U004_S001	20
		U005_S001	19
B2232919	GROUND PLATE - PAPER TRAY NO.2	U005_S001	20
B2232934	PLATE - SIDE FENCE	U004_S001_S002	21
		U004_S001_S003	21
		U005_S001_S002	21
		U005_S001_S003	21
B2232935	PLATE - SIDE FENCE RIGHT	U004_S001_S002	22
		U004_S001_S003	22
		U005_S001_S002	22
		U005_S001_S003	22
B2232936	GEAR - 16Z	U004_S001	23
		U005_S001	23
B2233206	TUBE CLAMP	U009	5
B2233207	SHUTTER:NOZZLE	U008_S002	13
		U008_S003	13
		U008_S004	13
		U008_S005	13
B2233208	SPRING:SHUTTER:NOZZLE	U008_S002	14
		U008_S003	14
		U008_S004	14
		U008_S005	14
B2233209	TUBE CLIP	U009	6
B2233328	TONER CARTRIDGE GUIDE	U008	15
B2233334	HOLDER:STOPPER:SHUTTER:ASSY	U008	16
B2233428	SPRING:DRIVE UNIT:TONER BOTTLE	U008	17
B2233441	TIMING BELT:TONER BOTTLE	U008	18

Number	Part Name	Group	ID
B2233461	PULLEY:TONER BOTTLE:YC	U008	19
B2233462	PULLEY:TONER BOTTLE:CM	U008	20
B2233463	GEAR:TONER BOTTLE:DRIVE	U008	21
B2233464	GEAR:MAGNETIC CLUTCH:Y	U008	22
B2234493	SHAFT:PRESSURE:AUXILIARY	U017_S001	16
B2234494	STOPPER- UPPERGATE PAWL	U018	81
B2234497	SHAFT:FEELER:OVERFLOW	U017_S001	17
B2234501	GUIDE PLATE:RIGHT	U018	82
B2234502	GUIDE PLATE:LEFT LOWER	U018	83
B2234511	TIMING BELT:30S2M312	U018	84
B2234512	TIMING BELT:30S2M182	U018	85
B2234514	ROLLER CLUTCH:T24	U018	86
B2234522	SPACER:WIRE:STOPPER	U018	87
B2234524	WIRE:STOPPER:DIA1.5	U018	88
B2234525	TENSION SPRING:WIRE:180N	U018	89
B2234526	TIMING BELT:30S2M268	U018	90
B2234527	PULLEY:T26/T24	U018	91
B2234529	ROLLER CLUTCH:T24	U018	92
B2234532	TENSION SPRING:HOOK:STOPPER	U018	93
B2234535	ROLLER CLUTCH:T26	U018	94
B2234536	TIMING BELT:30S2M234	U018	95
B2234538	COMPRESSION SPRING	U018	96
B2234539	SHEET:COVER:DUPLEX	U018	97
B2234541	TORSION SPRING:REAR	U018	98
B2234542	TORSION SPRING:FRONT	U018	99
B2234544	PULLEY:T35/T33	U018	100
B2234545	GUIDE PIN:HOLDER	U018	101
B2234552	BUSHING:DIA4	U018	102
B2234553	TENSION SPRING:DRIVEN ROLLER	U018	103
B2234556	COMPRESSION SPRING	U018	104
B2234560	TENSION SPRING:DRIVEN ROLLER	U018	105
B2234562	TIGHTENER	U018	106
B2234564	SPRING:TIGHTENER	U018	107
B2234566	BRACKET:SENSOR:ENTRANCE	U018	108
B2234567	STAY:TRANSPORT:UPPER:PEEN	U018	109

Exclusive Parts

Number	Part Name	Group	ID
B2234571	GEAR:PULLEY:Z24/T40	U018	110
B2234572	STEPPER MOTOR:DC4.29V 1.7W	U018	111
B2234573	TIMING BELT:30S2M128	U018	112
B2234575	BRACKET:STEPPER MOTOR	U018	113
B2234586	PULLEY:T30	U018	114
B2234594	SHAFT:PULLEY:WIRE	U018	115
B2234595	PULLEY:DIA13	U018	116
B2235812	HINGE:PANEL:CONTROL BOARD	U024	26
B2235813	SAFETY SWITCH BRACKET	U024	27
B2235814	BRACKET - SAFETY SWITCH LEVER	U024	28
B2235816	PLATE:RACK:AUXILIARY:RIGHT	U024	29
B2235834	BRACKET:POWER PACK:TRANSFER	U024	30
B2235841	HINGE:APPLICATION:RACK	U024	31
B2235843	BRACKET:RACK:APPLICATION	U024	32
B2235848	BRACKET:BASE:CONNECTOR	U026	49
B2235849	COVER:CONNECTOR:HEATER	U026	50
B2235866	GROUND WIRE:RACK:RIGHT LOWER:HF	U024	33
B2236140	DRAWER:INTERMEDIATE TRANSFER:ASS'Y	U011	8
B2236198	CLEANING UNIT RAIL	U012	4
B2236463	GEAR - 20Z	U013	8
B2236464	BUSHING - 6X10X6	U013	9
		U013_S002	9
B2236467	LEVER BRACKET	U013	10
B2236471	TRANSPORT SCREW BRACKET	U013	11
B2236472	GEAR - 21Z	U013	12
B2236473	TRANSPORT SCREW SHAFT	U013	13
B2236474	GEAR - 29Z	U013	14
B2236475	BUSHING - 5X 10X2.5	U013	15
B2236476	BUSHING - DIA5	U013	16
B2236503	USED TONER SENSOR FEELER	U013	17
B2236507	SET SENSOR BRACKET	U013	18
B2236529	COLLECTION BOTTLE HOLDER	U001	7
B2375721	FAN MOTOR - MM42X10.5 DC5V	U025	7
B2381066	RUBBER FOOT COVER	U026	51

Number	Part Name	Group	ID
B2381072	POSITIONING PLATE:GUIDE PLATE:FUSING:FRONT LOWER:PEEN	U026	52
B2381088	COVER - CONNECTOR	U026	53
B2381089	COVER - POSITIONING PIN	U026	54
B2382541	TRAY COVER - RIGHT	U006	44
B2382543	COVER - TRAY LEFT	U006	45
B2382544	TRAY COVER - MIDDLE	U006	46
B2382622	COVER - REMOVE PAPER DUST	U007	9
B2382652	REGISTRATION ROLLER - DRIVE	U007	10
B2382655	GEAR - 16Z	U007	11
B2382656	GEAR - 30Z	U007	12
B2382657	GEAR - 18Z	U007	13
B2382661	REGISTRATION ROLLER - DRIVEN	U007	14
B2382675	REGISTRATION ROLLER BUSHING	U007	15
B2382676	TENSION SPRING	U007	16
B2384458	COMPRESSION SPRING - DRIVEN ROLLER	U017_S001	18
B2384733	ENTRANCE SENSOR BRACKET	U018	117
B2384739	COVER - ENTRANCE SENSOR	U018	118
B2385821	BRACKET - MAIN SWITCH HANDLE	U024	34
B2385867	HOOK:SOLENOID:SENSOR:TM	U024_S001	35
B2385875	DC SOLENOID DC24V	U024_S001	36
B2385891	DRAWER BRACKET	U024	37
B2591131	SCREW:PCU	U015	32
B6455010	SD CARD 128MB	SPECIAL TOOLS	4
B6455020	SD CARD 1GB	SPECIAL TOOLS	5
B6795100	PLUG - IEEE1284 TYPE C	SPECIAL TOOLS	6
B7002649	TIMING BELT:40S2M144	U020	28
BA146036	SHAFT:GEAR:SWIVEL	U016	17
BB013016	GEAR:SLOW DOWN:NO.1	U016	18
BB013017	GEAR:SLOW DOWN:NO.2	U016_S001	19
C4019503	20X MAGNIFICATION SCOPE	SPECIAL TOOLS	7
D0092510	GUIDE PLATE - EXIT	U018	119
D0092552	GUIDE SHEET - MANUAL FEED	U018	120
D0092554	GUIDE SHEET - VERTICAL TRANSPORT	U018	121

Exclusive Parts

Number	Part Name	Group	ID
D0092555	TRANSPORT ROLLER - DUPLEX EXIT	U018	122
D0092560	DRIVEN ROLLER	U018	123
D0092563	GUIDE PLATE - VERTICAL TRANSPORT	U018	124
D0092571	HOLDER - VERTICAL TRANSPORT	U018	125
D0092573	PULLEY - VERTICAL TRANSPORT	U018	126
D0092574	PULLEY - IDLER	U018	127
D0092575	SHAFT - IDLER	U018	128
D0092576	SHAFT - VERTICAL TRANSPORT	U018	129
D0092757	TRANSPORT ROLLER:DRIVE:ASS'Y	U006_S001_S002	47
		U006_S002_S002	47
D0094407	FEELER - OVERFLOW	U017_S001	19
D0094443	DISCHARGE BRUSH - EXIT	U017_S001	20
D0094503	GUIDE PLATE - LEFT UPPER	U018	130
D0094504	UPPER GUIDE PLATE - GATE	U018	131
D0094511	SPACER:DIA8.0:1.5MM	U018	132
D0094512	LINK:STOPPER	U018	133
D0094513	COMPRESSION SPRING:EARTH:DUPLEX UNIT	U018	134
		U026	55
D0094522	TENSION SPRING:GATE PAWL:DUPLEX:0.08N	U018	135
D0094535	HARNESS GUIDE	U018	136
D0094577	DUPLEX GATE	U018	137
D0094587	TENSION SPRING - RELEASE BRACKET	U018	138
D0094588	STOPPER BRACKET - SPRING	U018	139
D0094589	GUIDE - SET SHAFT	U018	140
D0094593	STEPPED SCREW - M3	U018	141
D0094594	FRONT GUIDE - DUPLEX UNIT SET	U026	56
D0094595	REAR GUIDE - DUPLEX UNIT SET	U026	57
D0094597	BRACKET - WIRE PULLEY SHAFT	U018	142
D0094598	SPRING - SET SHAFT	U018	143
D0094599	SHAFT - DUPLEX UNIT	U018	144
D0094661	REVERSE ROLLER - FEED	U018	145
D0094662	TRANSPORT ROLLER 1	U018	146
D0094663	TRANSPORT ROLLER 2	U018	147

Number	Part Name	Group	ID
D0094664	DRIVEN ROLLER	U015	33
		U018	148
D0145974	COVER:CONNECTOR:EFI	U025	8
D0251136	SHAFT:DEVELOPMENT:COLOR:ASS'Y	U019_S001	20
D0251139	HOLDER:MAGNETIC CLUTCH:DEVELOPMENT:COLOR	U019_S001	21
D0254238	BRACKET:DRIVEN ROLLER	U015	34
D0291053	CAM:GUIDE:FUSING:LEFT	U026	58
D0291054	CAM:GUIDE:FUSING	U026	59
D0291058	SEAL:BURRING	U026	60
D0291136	SHAFT:DEVELOPMENT:ASS'Y	U019_S001	22
D0291137	HOLDER:MAGNETIC CLUTCH:DEVELOPMENT	U019_S001	23
D0291191	GUIDE:FUSING DRIVE SUB-UNIT	U022	18
D0291199	DRIVE UNIT:ON-OFF:TRANSFER	U021	3
D0291347	STOPPER:FUSING UNIT:REAR	U026	61
D0291351	LEVER:LOCK:FUSING UNIT:FRONT	U026	62
D0291354	BRACKET:FAN:IH	U026	63
D0291355	LEVER:LOCK:FUSING UNIT:REAR	U026	64
D0292555	GUIDE PLATE:REGISTRATION:LEFT	U007	17
D0292556	STAY:REGISTRATION	U007	18
D0292570	GUIDE PLATE:REGISTRATION:RIGHT:ADHESION	U007	19
D0292586	GUIDE:REGISTRATION:EXIT	U026	65
D0292611	GROUND PLATE:REAR:MANUAL FEED	U018	149
D0292612	GROUND PLATE:FRONT:MANUAL FEED	U018	150
D0292664	FEELER:PAPER SIZE SENSOR:MANUAL FEED	U018	151
D0292677	TRANSPORT BELT:DRIVEN:VERTICAL TRANSPORT	U018	152
D0292709	GUIDE PLATE:SEPARATOR:ASS'Y	U018	153
D0292710	COVER:HARNESS:MANUAL FEED TABLE	U018	154

Exclusive Parts

Number	Part Name	Group	ID
D0292863	SHAFT:RELEASE:PAPER TRAY	U004_S001	24
		U005_S001	24
D0293471	GASKET:RFID	U008	23
D0294163	DECAL:WARNING (HIGH TEMPERATURE):FUSING:1	U015	35
D0294202	BRACKET:STEPPER MOTOR:AUXILIARY:PEEN	U016	20
D0294204	HOLDER:GEAR	U016	21
D0294222	BRACKET:GEAR:SUPPORTING PLATE	U016	22
D0294339	BRACKET:SENSOR:ON-OFF	U016	23
D0294427	BRACKET:POSITIONING:GUIDE PLATE:MIDDLE	U017_S001	21
D0294439	STOPPER:GATE PAWL:ENTRANCE	U017_S001	22
D0294442	LEVER:GATE PAWL:ENTRANCE	U017_S001	23
D0294443	TENSION SPRING:GATE PAWL:ENTRANCE	U017_S001	24
D0294444	COVER:HARNESS	U017_S001	25
D0294474	DC SOLENOID:SUB-ASS'Y	U017_S001	26
D0294478	TENSION SPRING:RELEASE:DC SOLENOID	U017_S001	27
D0294482	GATE PAWL:UPPER:ASS'Y	U018	155
D0294485	LEVER:GATE PAWL:UPPER	U018	156
D0294486	TENSION SPRING:GATE PAWL:1.5N	U018	157
D0294488	TENSION SPRING:GUIDE PLATE:RIGHT	U018	158
D0294497	COMPRESSION SPRING:DRIVEN ROLLER:GATE	U018	159
D0294521	BRACKET:HARNESS	U018	160
D0294554	BRACKET:GUIDE PLATE:TRANSFER UNIT	U018	161
D0294555	SHEET:TRANSPORT SUB-UNIT:FEED PAPER AGAIN	U018	162
D0294590	HOOK:STOPPER:DUPLEX UNIT:ASS'Y	U018	163
D0295806	BRACKET:IOB	U024	38

Number	Part Name	Group	ID
D0295861	GASKET:65TFV5-0.5:L90	U024	39
D0295863	GASKET:65TSV5-2:L23	U024	40
D0296293	DRUM STAY:REAR	U018	164
D0296305	LEVER:RELEASE	U018	165
D0296307	COMPRESSION SPRING:GUIDE PLATE:EXIT:3.5N	U018	166
D0296320	BRACKET:LEVER:MIDDLE	U018	167
D0296321	ANCHOR:SPRING	U018	168
D0296322	SHAFT:LEVER:FRONT	U018	169
D0296323	SHAFT:LEVER:REAR	U018	170
D0296335	SHEET:CASE:LOWER	U018	171
D0394241	FUSING ENTRANCE GUIDE PLATE	U015	36
D0891097	BRACKET:FAN:POWER SOURCE:INH	U026	66
D0891199	DRIVE UNIT:ON-OFF:TRANSFER	U021_S001	4
D0891370	BRACKET:FAN:IMAGE FORMING SECTION	U026	67
D0891380	SEAL:GUIDE PLATE:SUPPLY	U026	68
D0891386	DUCT:EXIT	U026	69
D0891387	SHIELDING PLATE:IMAGE FORMING MD:LEFT	U026	70
D0891388	SEAL:SEPARATION PLATE:OPTICAL WRITING UNIT:LEFT INNER REAR	U026	71
D0891389	SEAL:COVER:LEFT:MIDDLE	U001	8
D0891390	SEAL:SIDE PLATE:FRONT:LEFT	U026	72
D0892560	BRACKET:CLEANER	U007	20
D0892745	STEPPER MOTOR:DUPLEX:DC:1.44W	U020	29
D0892761	ARM:PICKUP	U006_S001	48
		U006_S002	48
D0892764	GEAR:FEED	U006_S001	49
		U006_S002	49
D0892767	FEELER:PAPER END	U006_S001	50
		U006_S002	50
D0892778	BRACKET:SENSOR:FEED	U006_S001	51
		U006_S002	51
D0892781	BRACKET:SENSOR	U006_S001	52

Exclusive Parts

Number	Part Name	Group	ID
		U006_S002	52
D0892819	GEAR:SEPARATOR:INPUT	U006_S001	53
		U006_S002	53
D0892829	GUIDE:FEED	U006_S001	54
		U006_S002	54
D0892849	SEAL:TRAY:NO.1	U004	25
D0892940	TRAY BOTTOM PLATE:ASS'Y	U004_S001_S001	26
		U005_S001_S001	25
D0893205	NOZZLE:COLOR:ASS'Y	U008_S002	24
		U008_S003	24
		U008_S004	24
D0893286	NOZZLE:BK:ASS'Y	U008_S005	25
D0893304	BASE:TONER SUPPLY UNIT:ASS'Y	U008_S001	26
D0893407	MAGNETIC CLUTCH:TONER BOTT LE:BK:ASS'Y	U008	27
D0893408	MAGNETIC CLUTCH:TONER BOTT LE:YCM:ASS'Y	U008	28
D0893424	SHAFT:DRIVE:DRIVE UNIT:BK	U008	29
D0893426	SHAFT:DRIVE:DRIVE UNIT:YCM	U008	30
D0893470	GROUND PLATE:RFID	U008	31
D0894351	PLATE:DC STEPPER MOTOR	U016	24
D0894353	STOPPER	U016	25
D0894360	GEAR:SLOW DOWN:WORM GEAR	U016	26
D0894391	GEAR:ON-OFF:PRESSURE ROLLE R	U015	37
D0894437	SPRING PLATE:EXIT ROLLER:OUT ER	U017_S001	28
D0894461	GEAR:PULLEY:INPUT:27Z	U017_S001	29
D0894462	GEAR:PULLEY:DECURA:Z27/16T	U017_S001	30
D0894463	GEAR:PULLEY:IDLER:Z21/14T	U017_S001	31
D0894464	TIMING PULLEY:18T	U017_S001	32
D0894465	SYNCHRONOUS BELT:S2M:136	U017_S001	33
D0894466	SYNCHRONOUS BELT:S2M:104	U017_S001	34
D0894483	DRIVEN ROLLER:PAPER EXIT UNI T:VERTICAL TRANSPORT	U018	172
D0894484	GRIP:GATE PAWL:UPPER	U018	173
D0894486	GROUND PLATE:EXIT	U017_S001	35
D0894663	GUIDE PLATE:TRANSFER UNIT:H	U018	174

Number	Part Name	Group	ID
	OLDER		
D0896395	DENSITY SENSOR	U024_S001	41
D0896481	PIPE:REAR:ASS'Y	U013_S001	19
D1054365	HOLDER:THERMOPILE	U016	27
D1174238	GUIDE:FUSING EXIT:ETFE	U015	38
D1201336	CAP:COVER	U001	9
D1202618	DISCHARGE BRUSH:PAPER FEED UNIT:UPPER	U006	55
D1202832	END FENCE:ASS'Y	U004_S001	27
		U005_S001	26
D1202864	LEVER:STOPPER:POSITIONING	U004_S001_S003	28
		U005_S001_S003	27
D1202872	DECAL:PAPER TRAY:NO.1	U004	29
D1202873	DECAL:PAPER TRAY:NO.2	U005	28
D1202875	DECAL:SIDE FENCE:REAR	U005_S001_S003	29
D1206490	DECAL:CAUTION:INKJET	ACCESSORIES	4
D1208868	DECAL:MAIN SWITCH:ON-STANDB Y:DOM:NA	ACCESSORIES	5
D1291245	CAP:GRIP	U026	73
D1292621	COVER:MANUAL FEED UNIT	U018	175
D1292657	ARM:MANUAL FEED:SHORT:FRON T	U018	176
D1292658	ARM:MANUAL FEED:SHORT:REAR	U018	177
D1292661	COVER:MANUAL FEED	U018	178
D1292662	MANUAL FEED TABLE	U018	179
D1292664	COVER:MANUAL FEED:ENTRANC E	U018	180
D1292667	EXTENSION TRAY:MANUAL FEED	U018	181
D1292673	SIDE FENCE:REAR	U018	182
D1292674	SIDE FENCE:FRONT	U018	183
D1292675	DECAL:SIDE FENCE:MANUAL FEE D	U018	184
D1292726	GRIP:SIDE FENCE:MANUAL FEED	U018	185
D1292743	DECAL:TRAY:MANUAL FEED:EXTE NSION TRAY:EXP	U018	186
D1292745	DECAL:PAPER SET DIRECTION:M ANUAL FEED:EXP	U018	187
D1292748	DECAL:SCALE:MANUAL FEED	U018	188

Exclusive Parts

Number	Part Name	Group	ID
D1292783	TORQUE LIMITER MECHANICAL C LUTCH:40MM: DIA18	U006_S001	56
		U006_S002	56
		U018	189
D1292837	GUIDE PLATE:SWIVEL	U006	57
D1292842	GUIDE PLATE:SWIVEL:NO.2	U006	58
D1292920	SIDE FENCE:FRONT:ASS'Y	U005_S001_S002	30
D1292930	SIDE FENCE:REAR:ASS'Y	U005_S001_S003	31
D1294487	END FENCE:EXIT	U001	10
D1294531	GUIDE PLATE:COVER:OPEN AND CLOSE	U018	190
D1294540	COVER:DUPLEX	U018	191
D1294579	GRIP:OPEN AND CLOSE:DUPLEX UNIT	U018	192
D1296605	DECAL:MISFEED REMOVAL:B1:AL- C2	U001	11
D1425765	HDD:TOSHIBA:250GB:(for M125)	U025	9
D14383	↑.°DU EXP	U003_S001	9
D1440622	CLEANING UNIT:INTERMEDIATE T RANSFER:C3:ASS'Y	U012_S001	5
D1441052	STOPPER:FUSING UNIT:FRONT	U026	74
D1441054	SEAL:DUCT:FUSING:LEFT:FRONT	U026	75
D1441058	GUIDE PLATE:FUSING:REAR	U026	76
D1441085	STEPPED SCREW:M3	U024_S001	42
D1441087	SCREW:LEVER:DRUM STAY	U024	43
		U026	77
D1441094	DUCT:FUSING:LEFT	U026	78
D1441096	SEAL:DUCT:FUSING:LEFT:REAR	U026	79
D1441110	DRIVE UNIT:ENGINE:D143/D144:A SS'Y	U019_S001	24
D1441132	BRACKET:PAPER FEED:ASS'Y	U020	30
D1441135	DRUM STAY:DRIVE UNIT:PAPER F EED:ASS'Y	U020_S001	31
D1441139	GEAR:PAPER FEED:NO.4	U020	32
D1441142	BRACKET:DRIVE UNIT:REGISTRA TION:ASS'Y	U020	33
D1441146	GEAR:REGISTRATION:NO.1	U020	34
D1441172	GEAR:FUSING:NO.1	U022	19
D1441173	GEAR:FUSING:NO.2	U022	20

Number	Part Name	Group	ID
D1441174	GEAR:EXIT:NO.1	U022	21
D1441175	GEAR:EXIT:IDLER	U022	22
D1441176	BRACKET:FUSING/PAPER EXIT U NIT:ASS'Y	U022	23
D1441179	SYNCHRONOUS BELT:S2M:5X316	U016	28
D1441187	BRACKET:FUSING:SHUTTER:MAIN ASS'Y:ASS'Y	U016	29
D1441190	TENSION SPRING:1.5N:23MM	U016	30
D1441191	GEAR:PULLEY:FUSING:SHUTTER: NO.1	U016	31
D1441192	GEAR:PULLEY:FUSING:SHUTTER: NO.2	U016	32
D1441193	PULLEY:FUSING:SHUTTER:NO.3	U016	33
D1441194	BRACKET:TIGHTENER:FUSING:SH UTTER:ASS'Y	U016	34
D1441197	ROLLER:TIGHTENER:FUSING:SHU TTER	U016	35
D1441233	INNER COVER:MIDDLE	U001	12
D1441239	INNER COVER:UPPER:LEFT:D143/ C144:EXP	U001	13
D1441242	COVER:RIGHT REAR:FAN	U001	14
D1441244	COVER:RIGHT:REAR	U001	15
D1441247	COVER:RIGHT:FRONT:EXP	U001	16
D1441250	COVER:FRONT:ASS'Y	U001_S001	17
D1441257	COVER:FRONT:COLLECTION BOT TLE:EXP	U001	18
D1441261	COVER:UPPER	U001	19
D1441279	CLEANER:SHIELD GLASS:ASS'Y	U001	20
D1441281	COVER:LEFT	U001	21
D1441284	COVER:LEFT:MIDDLE	U001	22
D1441291	COVER:REAR	U001	23
D1441327	INNER COVER:UPPER:RIGHT:C3:E XP	U001	24
D1441354	BRACKET:FAN	U026	80
D1441355	SEAL:BRACKET:FAN	U026	81
D1441356	BRACKET:FILTER:FRONT RIGHT:A SS'Y	U026	82
D1441369	DUCT:REAR:LOWER RIGHT	U026	83

Exclusive Parts

Number	Part Name	Group	ID
D1441371	SEAL:DUCT:HEATER:FRONT	U026	84
D1441379	GUIDE PLATE:SUPPLY	U026	85
D1441383	DUCT:HEATER:FRONT	U026	86
D1441384	DUCT:HEATER:REAR	U026	87
D1441385	DUCT:SUPPLY:TUBE	U026	88
D1442558	KNOB:REGISTRATION ROLLER	U007	21
D1442614	CASE:REMOVE PAPER DUST	U007	22
D1442747	DECAL:PAPER SET DIRECTION:TRAY:RIGHT:EXP	U005	32
D1442750	PAPER FEED UNIT:ASS'Y	U006_S001	59
		U006_S002	59
D1442850	PAPER TRAY:NO.1:ASS'Y	U004_S001	30
D1442857	COVER:PAPER TRAY:NO.1	U004_S001	31
D1442870	SIDE FENCE:FRONT:UNIVERSAL:NO.1:ASS'Y	U004_S001_S002	32
D1442880	SIDE FENCE:REAR:UNIVERSAL:NO.1:ASS'Y	U004_S001_S003	33
D1442896	STEPPED SCREW:PAPER FEED	U004_S001	34
D1443221	PUMP UNIT:BK:ASS'Y	U009_S001	7
D1443222	PUMP UNIT:Y:ASS'Y	U009_S002	8
D1443223	PUMP UNIT:C:ASS'Y	U009_S003	9
D1443224	PUMP UNIT:M:ASS'Y	U009_S004	10
D1443364	DECAL:COLORED DISPLAY:INNER COVER:BK:EXP	U001	25
D1443365	DECAL:COLORED DISPLAY:INNER COVER:Y:EXP	U001	26
D1443366	DECAL:COLORED DISPLAY:INNER COVER:C:EXP	U001	27
D1443367	DECAL:COLORED DISPLAY:INNER COVER:M:EXP	U001	28
D1444057	PRESSURE ROLLER:ASS'Y	U015	39
D1444100	FUSING COVER:LOWER	U015	40
D1444103	FUSING COVER:UPPER	U015	41
D1444104	CAM:ON-OFF:PRESSURE ROLLER	U015	42
D1444110	BRACKET:THERMISTOR:PRESSURE ROLLER	U015	43
D1444113	LEVER:PRESSURE ROLLER	U015	44
D1444114	HOLDER:PRESSURE ROLLER:FR	U015	45

Number	Part Name	Group	ID
	ONT		
D1444134	GUIDE PLATE:FUSING EXIT:LEFT	U015	46
D1444136	STRIPPER PLATE:FUSING EXIT	U015	47
D1444137	ELECTRODE PLATE:HEATER:REAR	U015	48
D1444138	ELECTRODE PLATE:CONNECTING:THERMOSTAT	U015	49
D1444142	ENCODER:ON-OFF:PRESSURE ROLLER	U015	50
D1444159	HOLDER:PRESSURE ROLLER:REAR	U015	51
D1444164	ADJUSTING PLATE:PRESSURE	U015	52
D1444170	GUIDE PLATE:FUSING EXIT:RIGHT	U015	53
D1444173	DISCHARGE BRUSH:PRESSURE ROLLER	U015	54
D1444175	GUIDE:COIL SPRING:PRESSURE SUB-UNIT	U015	55
D1444180	ADJUSTING SCREW:PRESSURE	U015	56
D1444185	GEAR:MECHANICAL ROLLER CLUTCH:Z17	U016	36
D1444187	SPACER:SHUTTER:FRONT	U015	57
D1444188	SPACER:SHUTTER:REAR	U015	58
D1444191	PLATE:SHUTTER	U015	59
D1444192	SPRING PLATE:0.25MM	U015	60
D1444193	BRACKET:CAM:SHUTTER:FUSING EXIT	U016	37
D1444194	CAM:SHUTTER:FUSING EXIT	U016	38
D1444199	SHAFT:CAM:SHUTTER:FUSING EXIT	U016	39
D1444202	STEPPER MOTOR:ASS'Y	U016	40
D1444204	TORSION SPRING:CAM:SHUTTER:FUSING EXIT	U016	41
D1444211	SHEET:C3:LEVER	U015	61
D1444219	PROOFING MATERIAL:FUSING COVER:LOWER	U015	62
D1444221	DECAL:WARNING (HIGH TEMPERATURE):GUIDE PLATE:OPEN AND CLOSE	U018	193

Exclusive Parts

Number	Part Name	Group	ID
D1444222	DECAL:H-TEMP WARNING:FUSING:2	U015	63
D1444225	SHAFT:ON-OFF:PRESSURE ROLLER	U015	64
D1444299	GUIDE:HARNESS:FUSING	U015	65
D1444405	PAPER EXIT UNIT:MACHINE OR COPIER:ASS'Y	U017_S001	36
D1444425	BRACKET:SENSOR	U017_S001	37
D1444426	BRACKET:SENSOR:GATE	U017_S001	38
D1444431	GUIDE PLATE:EXIT:LOWER	U017_S001	39
D1444432	STAY:EXIT:LOWER	U017_S001	40
D1444433	BRACKET:SENSOR:FUSING EXIT	U017_S001	41
D1444436	SPRING PLATE:EXIT ROLLER:INNER	U017_S001	42
D1444445	GATE PAWL:ENTRANCE:ASS'Y	U017_S001	43
D1444446	SHEET:EXIT:PTFE:REAR	U017_S001	44
D1444447	SHEET:EXIT:PTFE:FRONT	U017_S001	45
D1444455	TRANSPORT ROLLER:GATE	U017_S001	46
D1444456	EXIT ROLLER	U017_S001	47
D1444457	TRANSPORT ROLLER:TRANSPORT	U017_S001	48
D1444481	GUIDE PLATE:OPEN AND CLOSE	U018	194
D1444482	GUIDE:GUIDE PLATE:OPEN AND CLOSE	U018	195
D1444483	DECAL:KNOB:Z	U018	196
D1444484	SHOULDER SCREW - M3	U017_S001	49
D1444489	STOPPER:DRIVEN ROLLER	U018	197
D1444494	EXIT ROLLER:DRIVEN:INNER	U017_S001	50
D1444495	EXIT ROLLER:DRIVEN:OUTER	U017_S001	51
D1444497	ROLLER:DRIVEN:TRANSPORT	U017_S001	52
D1444533	INNER COVER:DUPLEX:REAR	U018	198
D1444534	INNER COVER:DUPLEX	U018	199
D1445119	PCB:BRB	U008	32
D1445120	PCB:IOB	U024	44
D1445196	AC CONTROL BOARD:NA/TWN	U024	45
D1445824	COVER:SLIDE SWITCH:C3	U024	46
D1445825	LINK:POWER SOURCE:SWITCH	U024	47
D1445861	DENSITY SENSOR:ASS'Y	U024_S001	48

Number	Part Name	Group	ID
D1445885	GRIP:CONTROL BOARD:IG	U025	10
D1446285	TERMINAL:TRANSFER ROLLER	U018	200
D1446289	TERMINAL:SEPARATION	U018	201
D1446310	SPRING:TRANSFER	U018	202
D1446331	GROUND WIRE:POWER PACK	U018	203
D1446809	DECAL:CLEANING:POSITIONING DISPLAY	U001	29
D1446823	DECAL:LEVER:LOCK:FUSING	U026	89
D4344265	TIMING BELT:40S3M237	U022	24
D5802523	DECAL:PAPER SET DIRECTION:TRAY:NO.2	U004	35
		U005	33
D5802870	GRIP:PAPER TRAY	U004_S001	36
		U005_S001	34
D5802900	PAPER TRAY:NO.2:ASS'Y	U005_S001	35
D5802946	COVER:PAPER TRAY:NO.2	U005_S001	36
D6471370	CAP:DIA17:IDG	U001	30
G0201332	HINGE - FRONT COVER	U001	31
G0219350	LOOP-BACK CONNECTOR	SPECIAL TOOLS	8
G0602652	BUSHING - M4	U018	204
G0602932	PICK-UP ARM - MANUAL FEED	U018	205
G0604435	BUSHING - M4	U018	206
G0652767	LEVER - FEED	U006_S001	60
		U006_S002	60
G0652774	PRESSURE LEVER	U006_S001	61
		U006_S002	61
G0652775	LINK LEVER	U006_S001	62
		U006_S002	62
G0652776	RELEASE LEVER	U006_S001	63
		U006_S002	63
G1331295	OZONE FILTER	U001	32
G1331296	OZONE FILTER:NO.2:P	U026	90
G1331343	DUCT:SUPPLY:UPPER REAR:P1	U026	91
G1335804	RACK:INNER BACK:AUXILIARY:RIGHT	U024	49
G1336496	RAIL:COLLECTION BOTTLE	U013	20
G1336536	SHEET:PLATE:COLLECTION BOTTLE	U001	33
G1336537	MAGNET CATCH	U001	34

Exclusive Parts

Number	Part Name	Group	ID
G1786062	PCB:PC4200:RAWCARD-C:512MB	U025	11
G1895886	BRACKET:DC FAN MOTOR:P	U025	12
GA001090	DECAL:POSITIONING DISPLAY:CASE:TRANSFER ROLLER	U018	207
GA003030	DECAL - SHIELDING PLATE Y	U001	35
GA003031	DECAL - SHIELDING PLATE M	U001	36
GA003032	DECAL - SHIELDING PLATE C	U001	37
GA003033	DECAL - SHIELDING PLATE K	U001	38
GA003264	DECAL:PS3:I-GRAY	ACCESSORIES	6
GA082007	PLAIN SHAFT BEARING:4XDIA6DIA8	U016	42
GW020020	PHOTOINTERRUPTOR:LG248NL1	U021_S001	5
GX640031	FAN MOTOR:DC:2.64W	U026	92
M1246801	DECAL:MODEL NAME PLATE:AP-P3C:EXP:RIC:(for M124)	ACCESSORIES	7
M1246813	ACCESSORY:CD-ROM 2PCS:NA:ASS'Y	ACCESSORIES	8
M1246825	CD-ROM:MANUAL:AP-P3:NA/AA:ASS'Y	ACCESSORIES	9
M1251230	INNER COVER:LEFT:P3	U001	39
M1251261	COVER:INNER BACK:IDG	U001	40
M1251267	COVER:UPPER:REAR:IDG	U001	41
M1251351	KNOB SCREW:M3:AG	U026	93
M1251381	DUCT:SUPPLY:FRONT	U026	94
M1251382	DUCT:SUPPLY:REAR	U026	95
M1251383	SOUND PROOFING MATERIAL:DUCT	U026	96
M1251411	OPERATION PANEL:EXP:ASS'Y	U002_S001	2
M1252039	PCU:M:EXP:ASS'Y	U010	1
M1252040	PCU:C:EXP:ASS'Y	U010	2
M1252041	PCU:Y:EXP:ASS'Y	U010	3
M1252877	DECAL:SIZE INDICATION:PAPER TRAY	ACCESSORIES	10
M1254019	FUSING UNIT:NA:P:MAINTENANCE:ASS'Y	U015	66
M1254081	SLEEVE:FUSING:NA:ASS'Y	U015_S003	67
M1254230	DECAL:C2:GREEN:FUSING	U015	68
M1254231	DECAL:SET:FUSING UNIT:FRONT	U015	69

Number	Part Name	Group	ID
M1254232	DECAL:SET:FUSING UNIT:REAR	U015	70
M1255110	PCB:BCU:ASS'Y	U024	50
M1255146	PCB:BRIDGE	U024	51
M1255800	RACK:INNER BACK:ASS'Y	U024	52
M1255827	BRACKET:MAIN SWITCH	U024	53
M1255882	BRACKET:HDD:P3:(for M125)	U025	13
M1256012	TRANSFER UNIT:INTERMEDIATE TRANSFER:EXP:ASS'Y	U011_S001	9
M1256205	TRANSFER/SEPARATION UNIT:P3:EXP:ASS'Y	U018	208
M1256316	STOPPER:HOLDER:SEPARATION:UPPER	U018	209
M1256324	DECAL:REPLACEMENT INDICATION:TRANSFER ROLLER	U018	210
M1256540	PIPE:FRONT:ASS'Y	U013_S002	21
M1256801	DECAL:MODEL NAME PLATE:M125:EXP:RIC:(for M125)	ACCESSORIES	11
M1256821	DECAL:GUIDE:FUSING	U026	97
M1256823	SHEET:COVER:FRONT	U001	42
M1256824	DECAL:INTERMEDIATE TRANSFER:RELEASE	U001	43
M1256825	DECAL:INTERMEDIATE TRANSFER:LOCK	U001	44
M1259590	NVRAM	ACCESSORIES	12
M1321263	COVER:INNER BACK:MIDDLE:IDG	U001	45
M1321266	COVER:PAPER EXIT UNIT:UPPER:IDG	U001	46
M1321268	COVER:UPPER:RIGHT:IDG	U001	47
M1321508	COVER:OPERATION PANEL:SMALL:AAP	U002	3
M1324486	TRAY:EXIT	U001	48
M4395702	SERVICE PARTS:PCB:CTL:AP-P3C:EXP:(for M124)	U025	14
M4395703	SERVICE PARTS:PCB:CTL:AP-P3D:EXP:(for M125)	U025	15

Standard Parts



03125040N
SCREW - M2.5X4



03130030N
PAN HEAD SCREW:M3X3



03530040N
SCREW - M3X4



03530080N
SCREW:M3X8



03530250N
SCREW:M3X25



03603006N
SCREW - M3X6



03603008N
SCREW:M3X8



03603016N
SCREW - M3X16



03604010N
SCREW:M4X10



04503008N
TAPPING SCREW - M3X8



04503010N
TAPPING SCREW - M3X10



04503012N
TAPPING SCREW:3X12



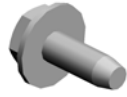
04503020N
TAPPING SCREW:M3X20



04504008N
TAPPING SCREW - M4X8



04513006N
TAPPING SCREW - 3X6



04513008N
TAPPING SCREW - M3X8



04513016N
TAPPING SCREW - 3X16



04513030N
TAPPING SCREW:3X30



04533008N
BINDING SELF TAPPING SCREW:3X8



04543005Q
TAPPING SCREW::3X5



04543006Q
TAPPING SCREW - M3X6



04543008Q
TAPPING SCREW:3X8



04543020Q
TAPPING SCREW::3X20



04563008N
TAPPING SCREW - M3X8



04563010N
TAPPING SCREW - M3X10



04573008N
TAPPING SCREW - M3X8



06320120G
PARALLEL PIN - 2X12



07010040N
WASHER:DIA4

Standard Parts



07200030E
RETAINING RING - M3



07200040E
RETAINING RING - M4



07200060E
RETAINING RING - M6



07200080E
RETAINING RING - M8



07403506
BALL BEARING - 6X12X4 MM



07403808
BALL BEARING - 8X16X5MM



08010231
HEXAGONAL HEAD BOLT W/
WASHER:M3X6



08025305
TAPPING SCREW - M3X6



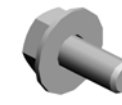
08025308
TAPPING SCRER:FAN



08025317
BINDING HEAD TAPPING SC
REW:ES:3X8



08025318
BINDING HEAD TAPPING SC
REW:ES:3X10



08046123
HEXAGONAL BOLT:W/WASH
ER:M3X8



08050088
RETAINING RING - M6



08050089
RETAINING RING - M4



08050092
RETAINING RING - 3M



09544008N
SCREW - M4X8



09573008N
SCREW:SMALL ROUND/SPRI
NG:M3X8



09574008N
SCREW:SMALL ROUND/SPRI
NG:M4X8



11024559
CONNECTOR - 3P



11026245
RELAY CONNECTOR - 2P



11028502
CONNECTOR - 54679-1615



11028534
CONNECTOR - QR/P17-14S-
B



11029782
CONNECTOR:51405-1819



11050409
CARD SPACER- 6.4MM



11050487
HARNESS CLAMP



11050488
HARNESS CLAMP



11050489
HARNESS CLAMP - LWS 131
6



11050508
HARNESS CLAMP - LWS-071
1

Standard Parts



11050511
HARNESS CLAMP - LWS-030
6ZC



11050516
CLAMP



11050534
CLAMP



11050551
CLAMP:LES-0505



11050640
CLAMP



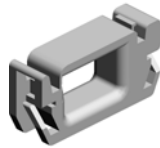
11050643
CLAMP - RFC-14V0



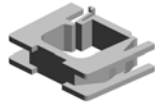
11050683
CLAMP:LWSR-0511S



11050692
CLAMP:LES-0503



11050723
CLAMPS:WES-0507



11050724
CLAMPS:WES-1210



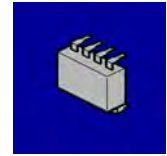
11500438
POWER SUPPLY CODE:AC12
5V:15A:NA



12042912
MICRO SWITCH:D3V-16-3C2
5(10E)



12042917
SWITCH:A8GS-T1L285KR:AC
250V/10A



14077667
EEPROM:BR24T128-W



16071859
FERRITE CORE:E04SR24133
6A

PM Part List

Number	Part Name	Num	Group	ID
B2231276	FILTER:RIGHT REAR	1	U001	6
G1331295	OZONE FILTER	1	U001	32
G1331296	OZONE FILTER:NO.2:P	1	U026	90
M1252039	PCU:M:EXP:ASS'Y	1	U010	1
M1252040	PCU:C:EXP:ASS'Y	1	U010	2
M1252041	PCU:Y:EXP:ASS'Y	1	U010	3
M1256012	TRANSFER UNIT:INTERMEDIATE TRANSFER:EXP:ASS'Y	1	U011_S001	9
M1256205	TRANSFER/SEPARATION UNIT:P3:EXP:ASS'Y	1	U018	208

