

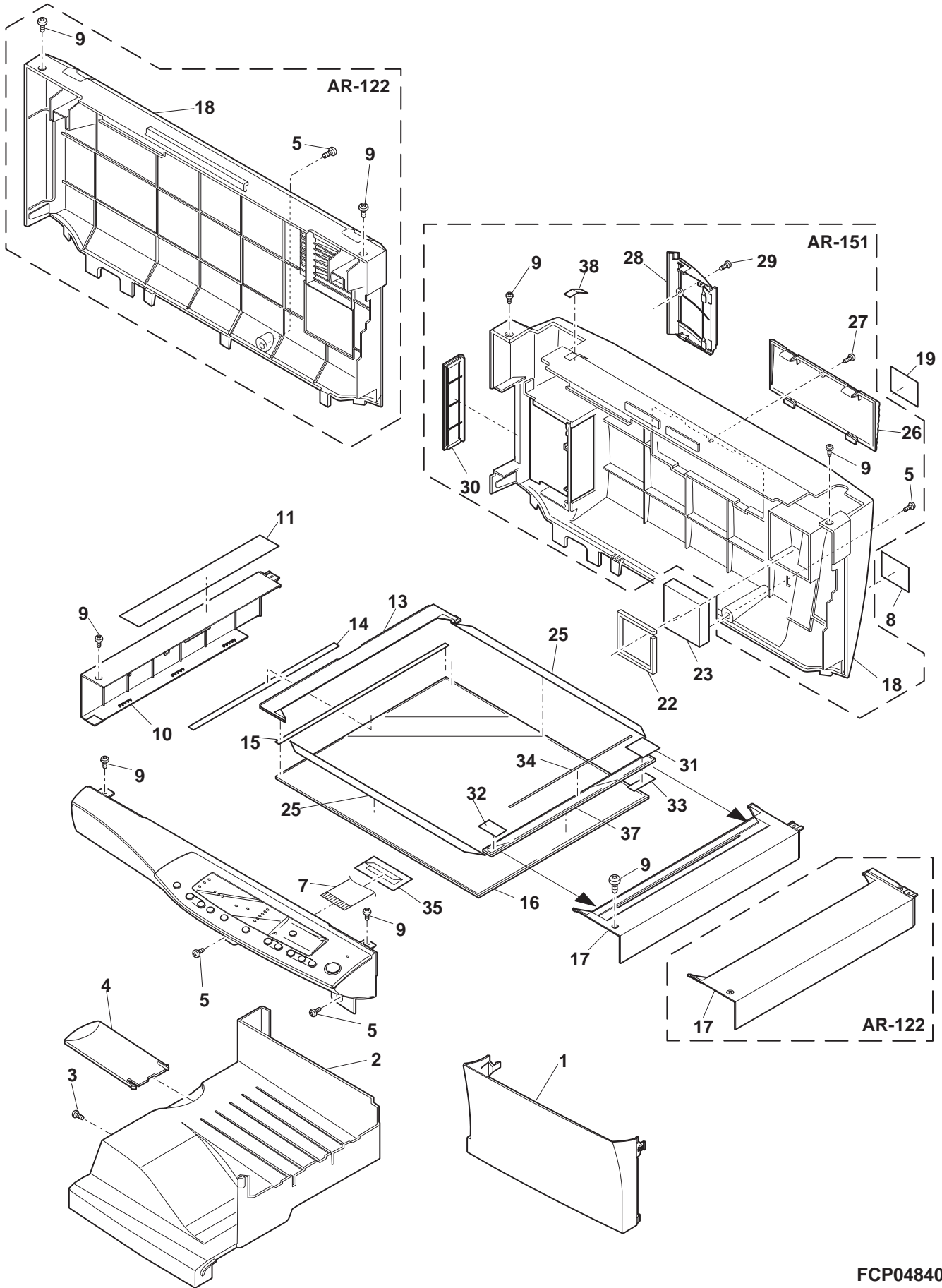
DIGITAL COPIER

AR-122 MODEL AR-151

CONTENTS

- | | | | |
|----|---------------------------------------|----|--------------------------------|
| 1 | Exteriors | 18 | TC case unit |
| 2 | Original cover unit | 19 | 250 Sheets tray |
| 3 | Operation panel | 20 | DV cartridge unit |
| 4 | Side door unit | 21 | Harness |
| 5 | Optical frame 1 | 22 | Process unit |
| 6 | Optical frame 2 | 23 | Packing material & accessories |
| 7 | LSU unit | 24 | Operation PWB |
| 8 | Mirror holder unit | 25 | GDI Memory PWB |
| 9 | Delivery paper guide unit | 26 | POD sensor PWB |
| 10 | Middle frame | 27 | PPD1 sensor PWB |
| 11 | Base plate unit 1 | 28 | PPD2 sensor PWB |
| 12 | Base plate unit 2 | 29 | MCU PWB(AR-151) |
| 13 | Fusing unit | 30 | MCU PWB(AR-122) |
| 14 | Drive unit | 31 | GDI PWB(AR-122) |
| 15 | Multi Manual paper feeding cover unit | 32 | DC power supply PWB(AR-151) |
| 16 | Multi Manual paper feeding unit | 33 | DC power supply PWB(AR-122) |
| 17 | Socket holder unit | ■ | Index |

1 Exteriors

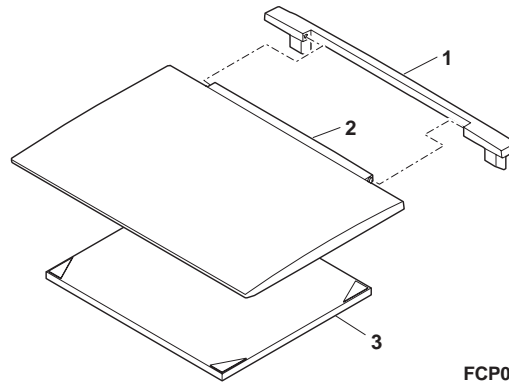


FCP04840

2 Original cover unit

NO.	PARTS CODE	OEM CODE	PRICE RANK	NEW MARK	PART RANK	DESCRIPTION
1	GCOVH0003QSHZ	41330511900	AH	N	D	OC cover S
2	GCOVH0004QSHZ	41330512000	AV	N	D	OC cover M
3	PSHEZ0034QSZ1	41330553300	AV		D	OC mat
(Unit)						
901	CCOVH0004RS53	41330501200	BN	N	E	OC cover unit

2 Original cover unit

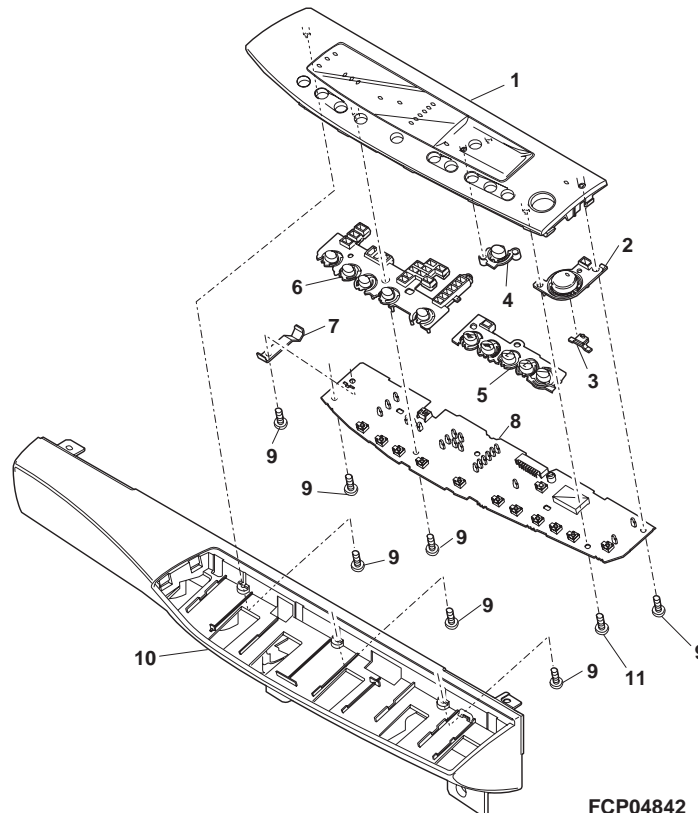


FCP04841

3 Operation panel

NO.	PARTS CODE	OEM CODE	PRICE RANK	NEW MARK	PART RANK	DESCRIPTION
1	PFILZ0007QS22	41330546100	AS	N	D	Operation filter
2	CBTN-0009QS04	41330500300	AF	N	E	Copy key
3	JBTN-0010QSZZ	41330512500	AC		C	Copy key smoke
4	JBTN-0005QSZZ	41330512300	AC		C	% Key
5	CBTN-0004QS07	41330500200	AG	N	E	Operation key R
6	JBTN-0008QSHZ	41330512400	AF	N	C	Operation key L
7	MSPRP0015QSZZ	41330530300	AC		C	Operation PWB earth spring
8	CPWBF0014QSE2	41330504500	BC	N	E	Operation PWB (AR-122)
	CPWBF0014QSF2	41330504600	BC	N	E	Operation PWB (AR-151)
9	XEBSE30P08000	41330607300	AA		C	Screw (3x8)
10	CPNLC0002QS0M	41330503900	AU	N	D	Operation panel
11	XEBSE30P06000	41330607200	AA		C	Screw (3x6)

3 Operation panel

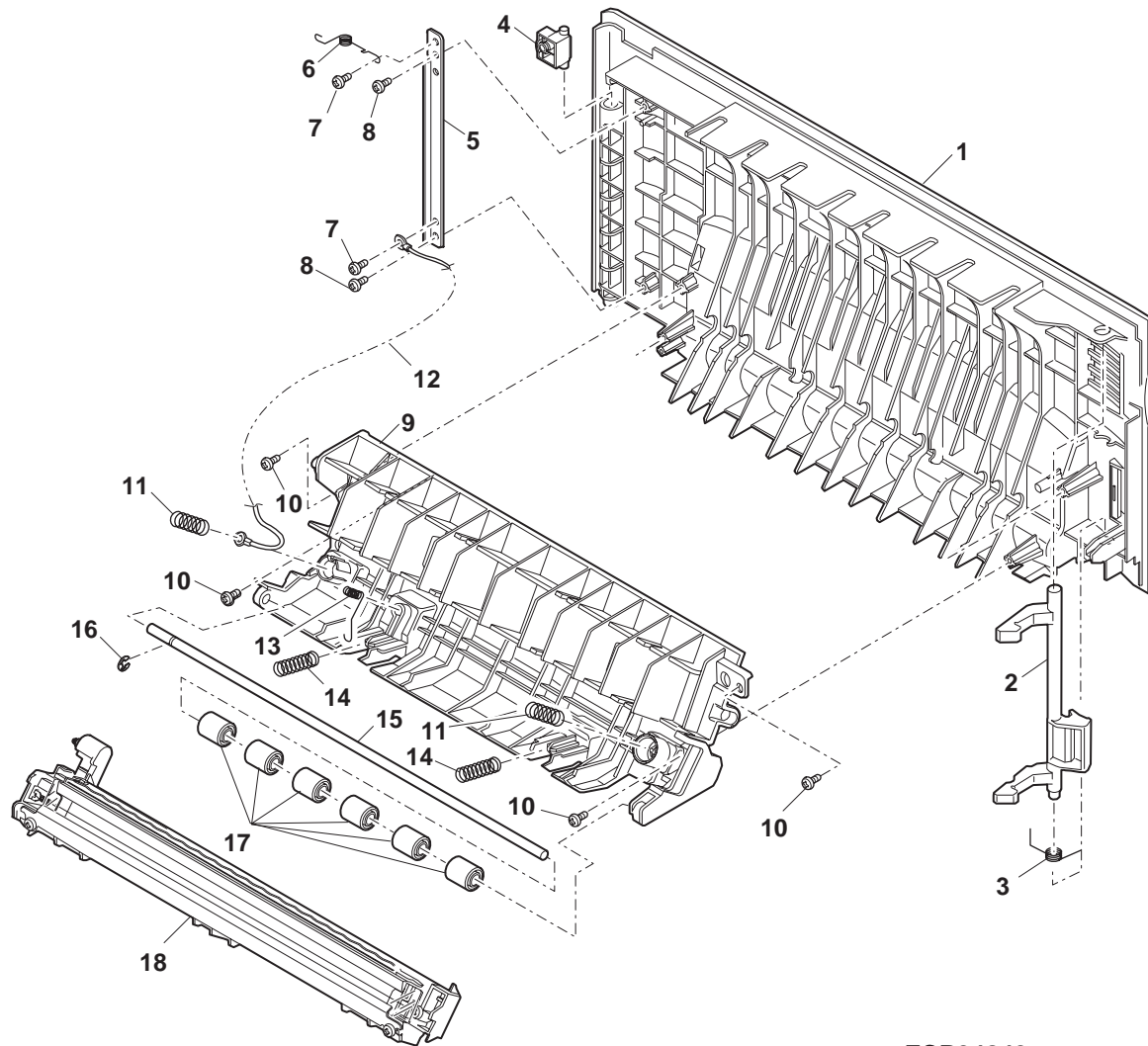


FCP04842

4 Side door unit

NO.	PARTS CODE	OEM CODE	PRICE RANK	NEW MARK	PART RANK	DESCRIPTION
1	GCAB-0007QSHZ	41330511000	AU	N	D	Side door
2	PTME-0004QSZZ	41330557300	AG	N	C	Lock pawl
3	MSPRT0029QSZZ	41330531300	AC		C	Lock pawl spring
4	PGiDM0008QSZZ	41330547000	AD		C	Hinge guide
5	LPLTM0043QSZZ	41330518300	AD		C	Earth plate
6	MSPRD0076QSZZ	41330529800	AD		C	Earth spring
7	XHBSE30P06000	41330608500	AA		C	Screw (3x6)
8	XEBSE30P06000	41330607200	AA		C	Screw (3x6)
9	LFRM-0003QSZ1	41330514900	AP		D	Side door inner frame
10	XEBSD30P10000	41330606600	AA		C	Screw (3x10)
11	MSPRC0032QSZZ	41330527100	AB		C	Transcription pressure spring
12	DHAi-0047QSZZ	41330507600	AH		C	TCFB harness
13	MSPRC0031QSZZ	41330527000	AB		C	PS earth spring
14	MSPRC0030QSZZ	41330526900	AC		C	PS pressure spring
15	NSFTZ0006QSZ1	41330541000	AG		C	PS shaft
16	XRESP30-06000	41330609300	AA		C	E type ring
17	NRÖLP1122FCZZ	41330540400	AF		C	PS upper roller
18	CHLDZ0010RS52	41330502700	AU		E	Transcription holder unit

4 Side door unit

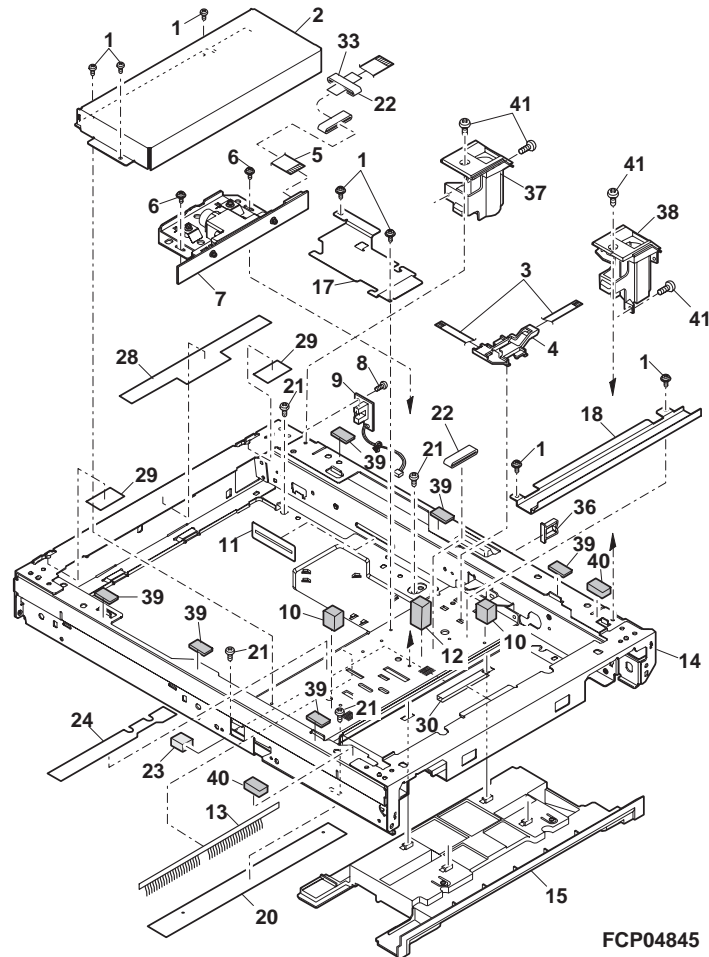


FCP04843

6 Optical frame 2

NO.	PARTS CODE	OEM CODE	PRICE RANK	NEW MARK	PART RANK	DESCRIPTION
1	XHBSE30P08000	41330608600	AA		C	Screw (3×8)
2	PCASZ0003QSZZ	41330542500	AK		C	Dark box
3	DHAi-0041QSZZ	41330507200	AF		C	CL lead harness
4	LHLDZ0011QSZZ	41330516500	AD		C	CL lead holder
5	DHAi-0042QSZZ	41330507300	AK		C	ICU-CCD harness
6	LX-BZ0004QSZZ	41330522000	AB		C	Screw (M3×6)
7	CDAiU0008RS51	41330501400	BC		E	Lens unit
8	XBBS30P08000	41330605000	AA		C	Screw (3×8)
9	CPWBF1177DS5A	41330505400	AT		E	MHPS sensor PWB
10	PGSK-0001QSZZ	41330549000	AG		C	Gasket
11	PSHEP0042QSZZ	41330552300	AC		C	Edge protect sheet
12	PGSK-0006QSZZ	41330549100	AE		C	Gasket
13	PBRSR0002QSZ1	41330541800	AH		B	Discharge brush
14	CDAiU0002QS01	41330501300	BG		D	Optical base plate
15	PGiDM0007QSZZ	41330546900	AP		C	U-turn rib guide upper
17	LPLTM0097QSZZ	41330518600	AE		C	CCD harness cover
18	LPLTM0098QSZZ	41330518700	AE		C	CCD PWB cover
20	PSHEZ0066QSZZ	41330553700	AE		C	Lens base plate lower sheet
21	XEBSE40P12000	41330607600	AA		C	Screw (4×12)
22	RCORF0002QSZZ	41330564700	AE		C	Ferrite core
23	PGSK-1004DCZZ	41330549200	AF		C	Gasket
24	PSHEZ0074QSZZ	41330553900	AE		C	Optical protection sheet
28	PSHEZ0081QSZ1	41330554300	AD		C	Cabinet hooksheet A
29	PSHEZ0082QSZZ	41330554400	AB		C	Cabinet hooksheet B
30	PSHEZ0111QSZZ	41330554900	AC		C	Protection sheet (AR-151)
33	PSHEZ0072QSZZ	41330553800	AE		C	Core holding mylar
36	LHLDW2133SCZZ	41330516200	AC		C	Locking wire holder (LWS-1M)
37	PGiDM0059QSHZ	41330548500	AF	N	C	Hinge guide L (AR-151)
38	PGiDM0060QSHZ	41330548600	AF	N	C	Hinge guide R (AR-151)
39	PGUMS0004QSZZ	41330549300	AA		C	Table glass cushion
40	PCUSS0011QSZZ	41330545300	AB		C	Glass cution (AR-151)
41	XBBS30P08000	41330605200	AA		C	Screw (3×8) (AR-151)

6 Optical frame 2



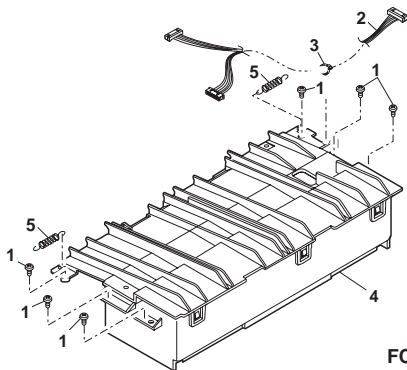
7 LSU unit

NO.	PARTS CODE	OEM CODE	PRICE RANK	NEW MARK	PART RANK	DESCRIPTION
1	XEBSD30P12000	41330606700	AA		C	Screw (3x12)
2	DHAi-0155QSZ1	41330508800	AT		C	LSU harness
3	LBNDJ0013FCZ1	41330513400	AA		C	Wire band
4	DUNTK0013QS11	41330510400	BT		E	LSU unit (A4600D)
5	MSPRT0019QSZZ	41330531100	AB		C	Delivery paper guide spring

8 Mirror holder unit

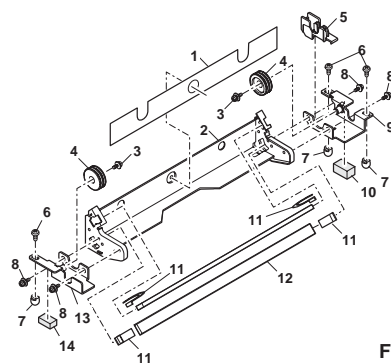
NO.	PARTS CODE	OEM CODE	PRICE RANK	NEW MARK	PART RANK	DESCRIPTION
1	PSHEZ0048QSZZ	41330553600	AE		C	Reflector protect sheet
2	LHLDZ0019QSZZ	41330517000	AN		C	2nd,3rd mirror holder
3	XBPSD40P06KS0	41330606000	AA		C	Screw (4x6KS)
4	NPLYZ0007QSZZ	41330538700	AG		C	W pulley
5	LHLDZ0013QSZZ	41330516600	AD		C	CL guide holder
6	XEBSD40P06000	41330606900	AA		C	Screw (4x6)
7	CSLi-0103FC31	41330506100	AF		D	Slider (4pcs/set)
8	LX-BZ0335FCZZ	41330522700	AA		C	Screw (4x6)(Red)
9	CPLTM0029QS01	41330503400	AH		C	Pulley fixing plate R
10	PCUSS0009QSZZ	41330545100	AA		C	MB-B cushion R
11	LFiX-0284FCZZ	41330514800	AC		C	Mirror fixing plate
12	PMiR-0002QSZZ	41330549400	AN		B	2nd,3rd mirror
13	CPLTM0028QS01	41330503300	AH		C	Pulley fixing plate F
14	PCUSS0201FCZZ	41330545400	AA		C	MB-B cushion
(Unit)						
901	CHLDZ0019QS31	41330502800	BC		E	2nd,3rd mirror holder unit

7 LSU unit



FCP04846

8 Mirror holder unit

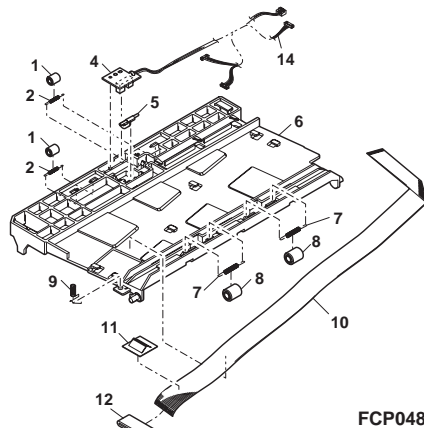


FCP04847

9 Delivery paper guide unit

NO.	PARTS CODE	OEM CODE	PRICE RANK	NEW MARK	PART RANK	DESCRIPTION
1	NRÖLP0046QSZZ	41330540000	AC		C	Delivery roller upper
2	MSPRT0020QSZZ	41330531200	AB		C	Delivery roller spring
4	CPWBF1177DS57	41330505100	AV		E	POD sensor PWB
5	MLEVP0005QSZZ	41330524900	AD		C	Delivery actuator
6	PGiDM0006QSZ2	41330546800	AM		C	Delivery paper guide
7	MSPRC0021QSZZ	41330526200	AB		C	Delivery transport roller spring
8	NRÖLP1122FCZZ	41330540400	AF		C	PS upper roller
9	MSPRC0022QSZ1	41330526300	AC		C	Delivery earth spring
10	DHAi-0040QSZZ	41330507100	AK		C	OP harness
11	PSHEZ0080QSZZ	41330554200	AE		C	OP harness core holding mylar
12	RCÖRF0002QSZZ	41330564700	AE		C	Ferrite core
14	DHAi-0155QSZ1	41330508800	AT		C	LSU harness

9 Delivery paper guide unit

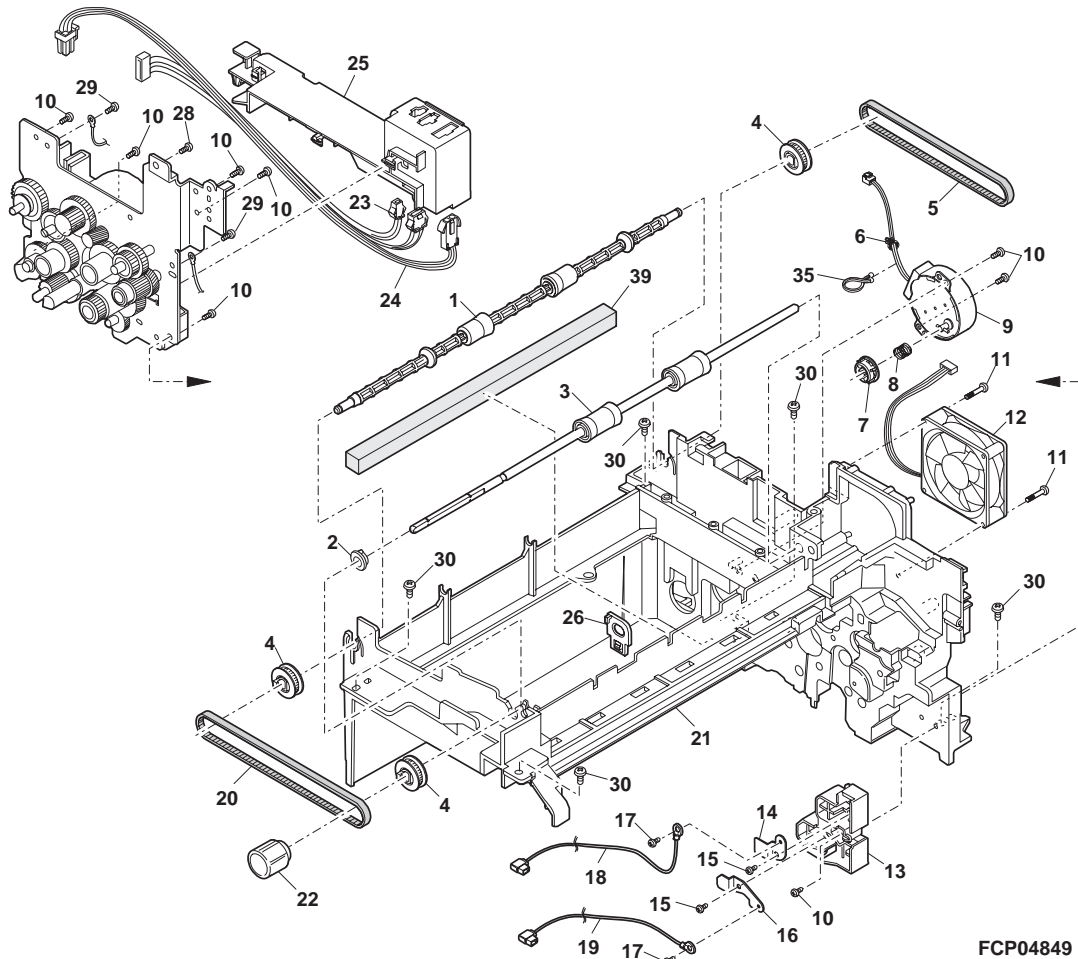


FCP04848

10 Middle frame

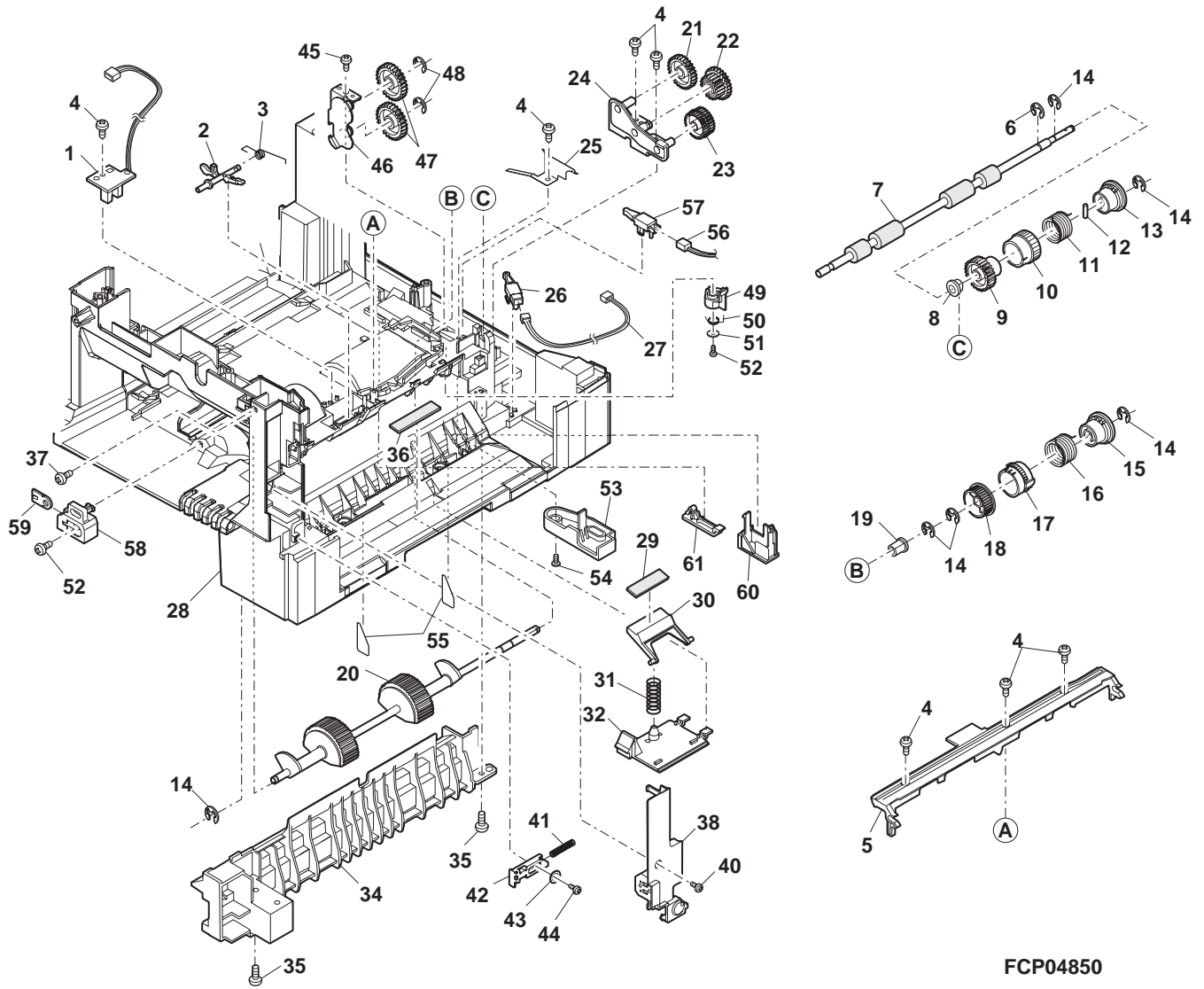
NO.	PARTS CODE	OEM CODE	PRICE RANK	NEW MARK	PART RANK	DESCRIPTION
1	NRÖLP0007QSZ1	41330539400	AQ		C	Delivery roller lower
2	NBRGC0579FCZZ	41330533300	AE		C	Roller bearing
3	NRÖLP0012QSZ1	41330539700	AS		C	Delivery trasport roller lower
4	NPLYZ0001QSZZ	41330538100	AE		C	Pulley (22T)
5	NBLT-0005QSZZ	41330532100	AH		B	Delivery roller drive belt
6	LBNDJ0043FCZZ	41330513600	AA		C	Snap band (SG-130)
7	NCPL-0006QSZZ	41330534000	AC		C	Hopper cupring S
8	MSPRC0024QSZZ	41330526500	AA		C	Hopper spring
9	RMÖTD0009QSZZ	41330566700	AU		B	Toner motor
10	XEBSD30P10000	41330606600	AA		C	Screw (3×10)
11	XEBSD30P30000	41330606800	AA		C	Screw (3×30)
12	NFANP0001QSZ1	41330534100	AX		B	Fan
	NFANP0005QSZZ	41330610600	AW		B	Fan
						[Europe]
						[Asia,Oceania]
13	LHLDZ0018QSZZ	41330516900	AE		C	TC high voltage holder
14	QSLP-0006QSZZ	41330562400	AE		C	BC HV electrode plate
15	XEBSD30P06000	41330606400	AA		C	Screw (M3×6)
16	QSLP-0005QSZZ	41330562300	AE		C	TC HV electrode plate
17	XBPSC30P06K00	41330605400	AA		C	Screw (3×6K)
18	DHAi-0046QSZZ	41330507500	AH		C	BC harness
19	DHAi-0048QSZZ	41330507700	AG		C	TC harness
20	NBLTT0001QSZZ	41330532200	AH		B	Belt 308
21	LFRM-0035QSZZ	41330515800	AZ		D	Middle frame
22	JKNBZ0001QSZZ	41330512900	AE		C	Roller rotation knob
23	DHAi-0037QSZ1	41330507000	AS		C	PPD2 interface harness
24	DHAi-0057QSZZ	41330508100	AN		C	HL harness 1
25	PGiDM0009QSZZ	41330547100	AG		C	Harness guide
26	LPiNS0010QSZZ	41330517300	AD		C	DV guide pin
28	LX-BZ3006SC0S	41330523100	AA		C	Screw (3×6)
29	XBBSD30P08000	41330605000	AA		C	Screw (3×8)
30	XEBSE40P12000	41330607600	AA		C	Screw (4×12)
35	LHLDW1334FCZZ	41330516100	AA		C	Holder
						(AR-151)
39	PMLT-0026QSZZ	41330550100	AC		C	Cushion

10 Middle frame



FCP04849

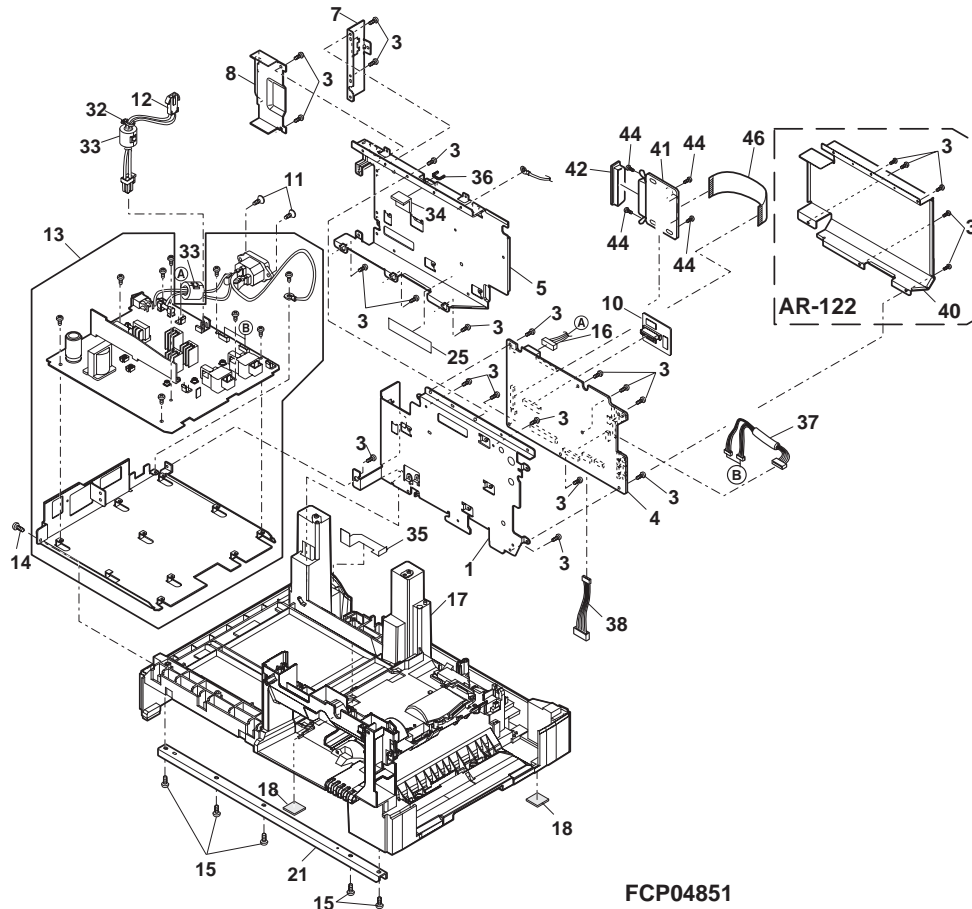
11 Base plate unit 1



12 Base plate unit 2

NO.	PARTS CODE	OEM CODE	PRICE RANK	NEW MARK	PART RANK	DESCRIPTION
1	LPLTM0017QSZ3	41330517600	AQ		C	PWB holder (AR-122)
	LHLDZ0050QSZZ	41330517100	AP		C	PWB holder (AR-151)
3	XHBSE30P06000	41330608500	AA		C	Screw (3x6)
4	CPWBX0072QSEK	41330505700	CA	N	E	MCU PWB (AR-122)
	CPWBX0038QS45	41330505800	CA	N	E	MCU PWB (AR-151)
5	PCOVP0044QSZ1	41330544100	AP		D	PWB cover (AR-151)
7	PCOVP0046QSZ3	41330544300	AE		D	Line cover (AR-151)
8	PFTA-0003QSZZ	41330546200	AF		D	PWB cover cap (AR-151)
10	CPWBF0013QSE1	41330504300	BF	N	E	GDI memory PWB 4MB (AR-122)
	CPWBF0013QSE2	41330504400	BM	N	E	GDI memory PWB 6MB (AR-151)
11	XESSD30P10000	41330608200	AA		C	Screw (3x10)
12	DHAi-0057QSZZ	41330508100	AN		C	HL harness 1
13	CPWBF0017QS37	41330504700	BU		E	DC power supply PWB (AR-122)
	CPWBF0039QS34	41330504800	BV		E	DC power supply PWB (AR-151)
14	XEBSE30P10000	41330607400	AA		C	Screw (3x10)
15	XEBSE40P12000	41330607600	AA		C	Screw (4x12)
16	DHAi-0179QSZZ	41330510000	AN		C	SDOD harness (AR-151)
17	GDAi-0001QSHZ	41330512100	BD	N	D	Base plate
18	GLEGG0064FCZZ	41330512200	AC		C	Rubber foot
21	LPLTM0020QSZZ	41330517800	AL		C	Base plate reinforce plate F
25	PSHEZ0163QSZ1	41330555300	AC		C	PWB cover sheet (AR-151)
32	LBNDJ0013FCZ1	41330513400	AA		C	Wire band
33	RCORF0003QSZZ	41330564800	AL		C	Ferrite core
34	PMLT-0028QSZZ	41330550200	AC		C	Harness fixing cushion
35	PSHEZ0195QSZZ	41330556100	AD		C	Mylar
36	LBSHZ0005QSZZ	41330514400	AC		C	Bush
37	DHAi-0064QSZ2	41330508400	AV		C	Center frame harness (AR-122)
	DHAi-0163QSZZ	41330509400	AS		C	Center frame harness (AR-151)
38	DHAi-0169QSZZ	41330509600	AQ		C	2nd cassette I/F harness (AR-151)
40	LPLTM0018QSZZ	41330517700	AN		C	PWB cover (AR-122)
41	CPWBF0012QS51	41330504200	BA		E	GDI PWB (AR-122)
42	PCAPH1001ACZZ	41330542300	AE		C	Protect cap (AR-122)
44	XBPSE30P06000	41330606100	AA		C	Screw (3x6) (AR-122)
46	DHAi-0063QSZZ	41330508300	AG		C	GDI harness (AR-122)

12 Base plate unit 2

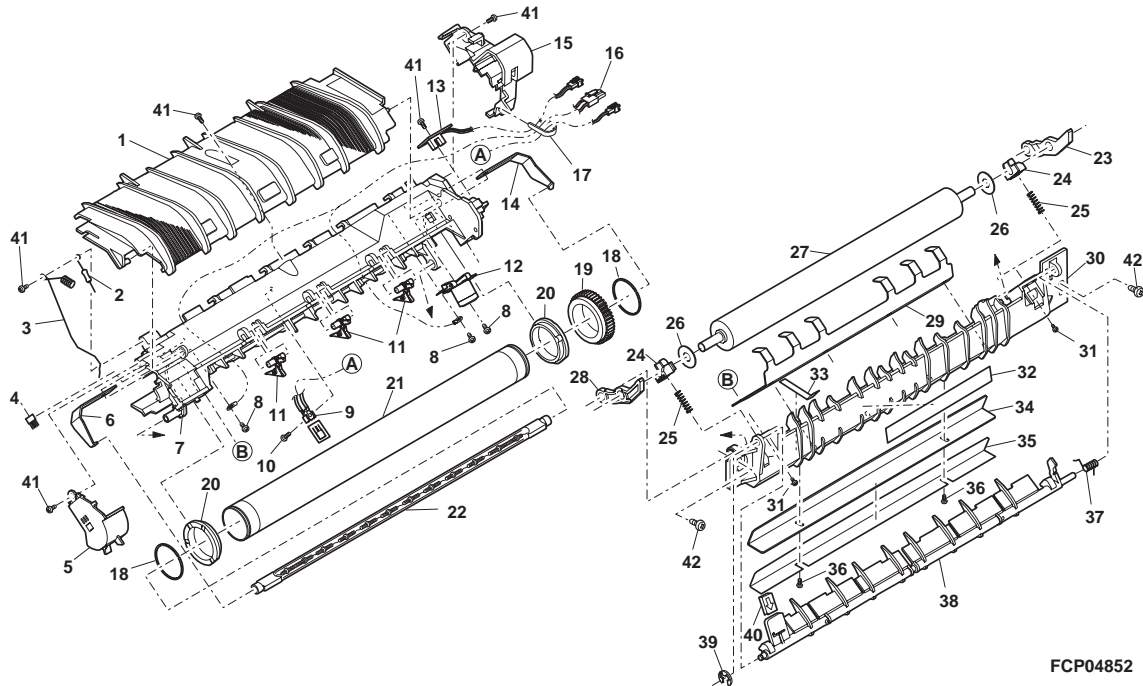


FCP04851

13 Fusing unit

NO.	PARTS CODE	OEM CODE	PRICE RANK	NEW MARK	PART RANK	DESCRIPTION
1	PGiDM0023QSZZ	41330548100	AP		C	U-turn guide lower
2	VRH-ST2HB157K	41330593900	AD		C	Resistor (1/2W 150MΩ)
3	PWiR-0001QSZZ	41330558300	AF		C	HR earth wire
4	PBRSR0004QSZZ	41330542000	AE		B	Discharge brush FU
5	PCOVP0010QSZZ	41330543000	AG		D	Fusing cover F
6	MSPRP0033QSZZ	41330530400	AD		C	Copy lamp spring F
7	LFRM-0004QSZZ	41330515000	AV		D	Fusing upper frame
8	LX-BZ0010QSZZ	41330522100	AB		C	Screw (3×6)
9	RDTCT0128FCZZ	41330566100	AR		B	Thermistor
10	XBPSD30P10KS0	41330605900	AB		C	Screw (3×10KS)
11	CTME-0229FC03	41330506600	AG		C	Separator pawl
12	CTHM-0019DS52	41330506500	AT		E	FU thermostat unit
13	CPWBF1177DS59	41330505300	AV		E	PPD2 sensor PWB
14	MSPRP0034QSZZ	41330530500	AE		C	Copy lamp spring R
15	PCOVP0011QSZZ	41330543100	AK		D	Fusing cover R
16	DHAi-0058QSZ1	41330508200	AL		C	HL harness 2
17	LBNDJ0067FCZZ	41330513700	AC		C	Wire band
18	LSTPP0116FCZZ	41330521600	AA		C	Roller stopper
19	NGERH0540FCZ3	41330537200	AD		C	Fushing gear (45T)
20	NBRGP0567FCZZ	41330533800	AG		C	Fusing bearing
21	NRÖLi0014QSZ2	41330539000	AZ		C	Heart roller
22	RLMPU0011QSZZ	41330566600	BA		B	Heater lamp
23	MLEVP0015QSZZ	41330525500	AF		C	Pressure lever R
24	NBRGP0260FCZ1	41330533500	AD		C	Pressure bearing N
25	MSPRC0055QSZZ	41330527900	AC		C	Pressure spring
26	LX-WZ0313FCZZ	41330523400	AA		C	Washer
27	NRÖLR0028QSZZ	41330540600	AZ		C	Pressure roller
28	MLEVP0014QSZZ	41330525400	AF		C	Pressure lever F
29	LPLTM0022QSZ3	41330517900	AF		C	Scraper
30	LFRM-0005QSZZ	41330515100	AQ		D	Fusing lower frame
31	XEBSE30P12000	41330607500	AA		C	Screw (3×12)
32	TCAUH0992FCZ1	41330574200	AF		D	High temperature caution label
33	PSHEZ0045QSZ2	41330553500	AC		C	PG earth sheet
34	PGiDH0026QSZZ	41330546600	AE		C	Fusing front paper guide
35	PSHEP0023QSZZ	41330552000	AF		C	Fusing front PG sheet
36	LX-BZ0735FCZZ	41330523000	AA		C	Screw
37	MSPRT0054QSZZ	41330531400	AC		C	Gate spring
38	LPLTP0009QSZZ	41330519400	AS		C	Turn over gate
39	XRESP30-04000	41330609200	AA		C	E type ring
40	PSHEP0047QSZZ	41330552500	AC		C	Handle label
41	XEBSE30P08000	41330607300	AA		C	Screw (3×8)
42	LX-BZ0011QSZZ	41330522200	AB		C	Screw
	(Unit)					
901	DUNTW0014RS24	41330510500	BT		E	Fusing unit

13 Fusing unit

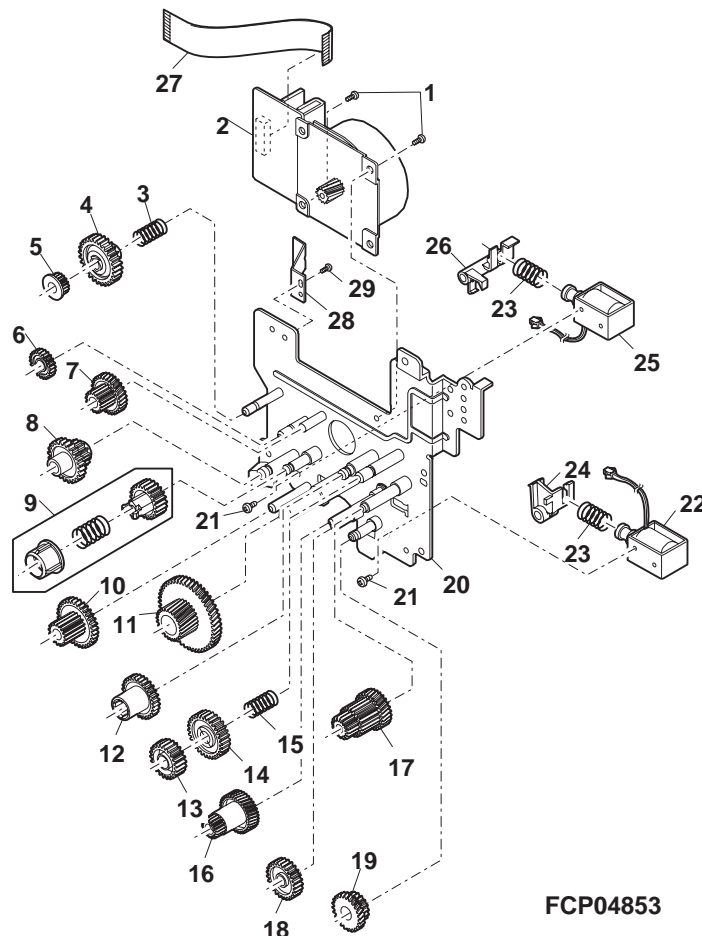


FCP04852

14 Drive unit

NO.	PARTS CODE	OEM CODE	PRICE RANK	NEW MARK	PART RANK	DESCRIPTION
1	XBBSD40P06000	41330605100	AA		C	Screw (4x6)
2	RMOTP0010QSZZ	41330566800	BN		B	Main motor
3	MSPRC0053QSZZ	41330527800	AB		C	Pulley spring
4	NGERH0050QSZZ	41330536700	AD		C	Ratchet gear (33T)
5	NPLYZ0002QSZZ	41330538200	AC		C	Pulley (17T)
6	NGERH0010QSZZ	41330534600	AD		C	Gear (28T)
7	NGERH0009QSZZ	41330534500	AD		C	Gear (46/16T)
8	NGERH0014QSZZ	41330534900	AD		C	Gear (30/15T)
9	CGERH0011RS51	41330502400	AE		E	MG gear unit
10	NGERH0015QSZZ	41330535000	AD		C	Gear (37/15T)
11	NGERH0007QSZZ	41330534300	AH		C	Gear (68/26T)
12	NGERH0016QSZZ	41330535100	AD		C	Cupring gear (34T)
13	NGERH0019QSZZ	41330535400	AD		C	Ratchet gear (21T)
14	NGERH0018QSZZ	41330535300	AC		C	Ratchet gear (28T)
15	MSPRC0023QSZZ	41330526400	AB		C	Ratchet spring
16	NGERH0008QSZ1	41330534400	AL		C	Gear (55/19T)
17	NGERH0017QSZZ	41330535200	AD		C	Gear (33/20/15T)
18	NGERH0012QSZZ	41330534700	AE		C	Gear (20T)
19	NGERH0013QSZZ	41330534800	AG		C	Gear (31/17T)
20	CPLTM0042QS02	41330503600	AY		C	Main drive plate
21	XBBSD30P04000	41330604900	AA		C	Screw (3x4)
22	RPLU-0001QSZZ	41330568300	AN		B	Solenoid (AR-122)
	RPLU-0016QSZZ	41330568800	AN		B	Solenoid (AR-151)
23	MSPRC1318FCZ1	41330529100	AA		C	Spring B
24	PTME-0002QSZZ	41330557100	AD		C	PS roller pawl
25	RPLU-0002QSZZ	41330568400	AN		B	Solenoid
26	PTME-0003QSZ1	41330557200	AD		C	Roller pawl
27	DHAi-0045QSZZ	41330507400	AD		C	Main motor harness
28	LANGT0006QSZZ	41330513300	AC		C	PWB cover earth angle (AR-151)
29	XBPSD30P08000	41330605700	AA		C	Screw (AR-151)
	(Unit)					
901	CPLTM0042RS51	41330503700	BP		E	Drive unit(Except No.28,29) (AR-122)
	CPLTM0042RS54	41330503800	BP		E	Drive unit(Except No.28,29) (AR-151)

14 Drive unit

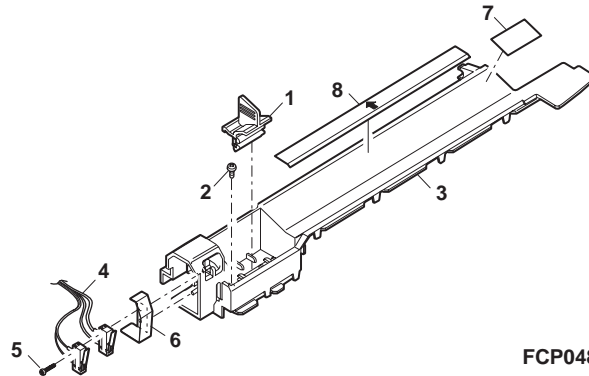


FCP04853

15 Multi Manual paper feeding cover unit

NO.	PARTS CODE	OEM CODE	PRICE RANK	NEW MARK	PART RANK	DESCRIPTION
1	CCL EZ0005RS51	41330501100	AQ		D	Charger cleaner unit
2	XEBSE30P08000	41330607300	AA		C	Screw (3x8)
3	PCÖVP0023QSZ1	41330543500	AK		D	Multi upper cover
4	CSW-M0004RS51	41330506400	AW		B	Side door detect switch unit
5	XEPSD20P18000	41330608000	AB		C	Screw (2x18)
6	MSPRP0110QSZ1	41330530900	AD		C	Door switch spring
7	PSHEZ0075QSZZ	41330554000	AC		C	MB upper guide sheet
8	TCAUH0007QSZZ	41330574100	AD		C	Laser caution label

15 Multi Manual paper feeding cover unit



FCP04854

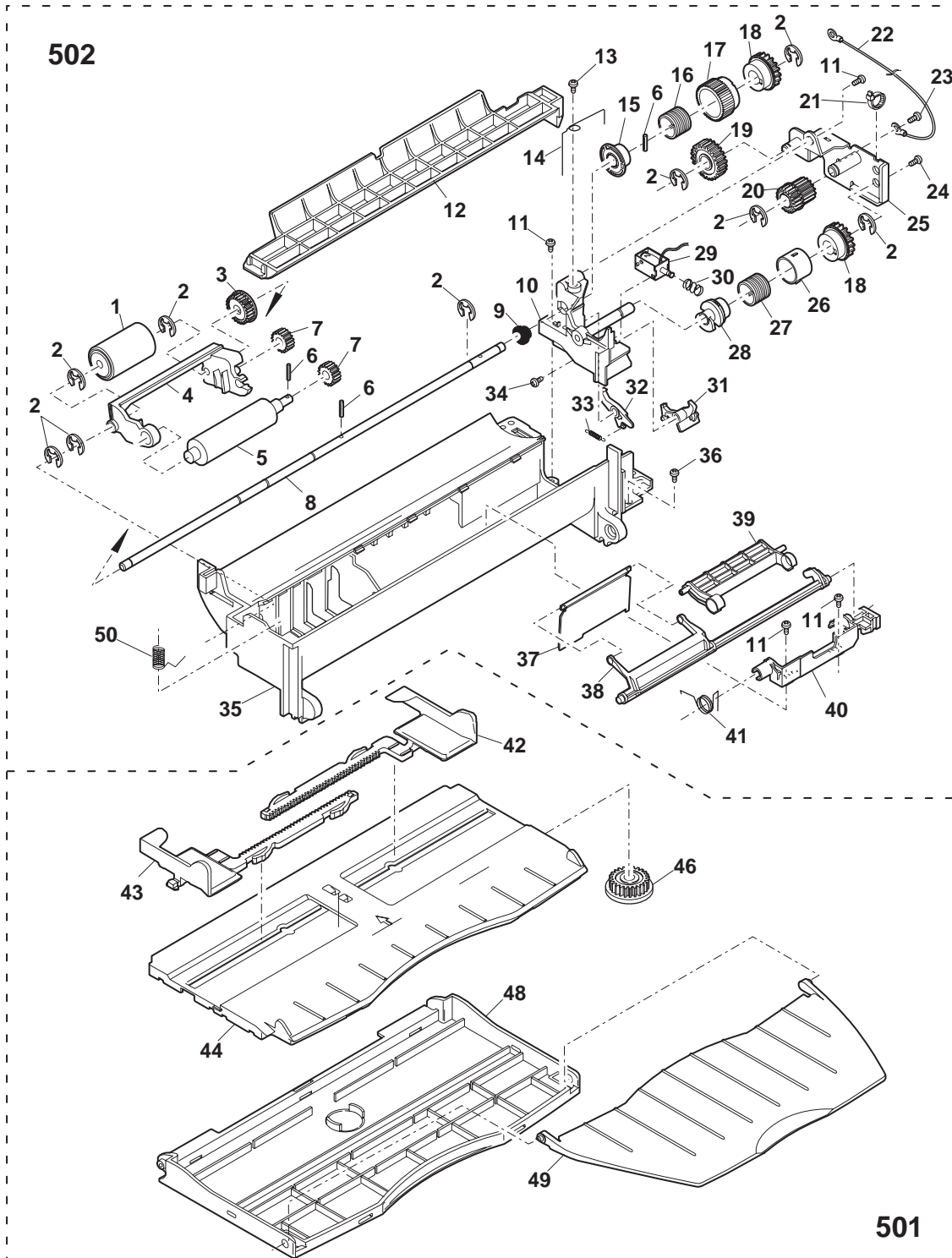
16 Multi Manual paper feeding unit

NO.	PARTS CODE	OEM CODE	PRICE RANK	NEW MARK	PART RANK	DESCRIPTION
1	NRÖLR0922FCZZ	41330540700	AR		C	Manual paper feeding roller
2	XRESP40-06000	41330609500	AA		C	E type ring
3	NGERH0992FCZZ	41330537600	AB		C	Gear (20T)
4	MARMP0173FCZZ	41330524200	AC		C	Arm C
5	NRÖLP1008FCZZ	41330540200	AK		C	Roller R
6	XPSSJ20-07000	41330608800	AA		C	Spring pin (φ2-7)
7	NGERH0990FCZZ	41330537400	AB		C	Gear (16T)
8	NSFTZ2311FCZZ	41330541600	AU		C	Cam boss A shaft
9	LBSHZ0303FCZZ	41330514600	AC		C	M bushing C
10	LBRC-0055FCZZ	41330514300	AK		C	Multi F bracket
11	XEBSE30P08000	41330607300	AA		C	Screw (3x8)
12	PG iDM0014QSZZ	41330547400	AF		C	DUP upper guide
13	XEBSD30P06000	41330606400	AA		C	Screw (M3x6)
14	MSPRC0049QSZZ	41330527600	AC		C	Manual feeding earth spring
15	LBÖSZ1508FCZZ	41330513900	AG		C	Cam boss A2
16	MSPRC1315FCZ1	41330528900	AD		C	Clutch spring A
17	PP iPP0109FCZ1	41330550700	AC		C	Pipe A
18	LBÖSZ1510FCZZ	41330514100	AF		C	Cam boss A1
19	NGERH0972FCZZ	41330537300	AB		C	Gear (27T)
20	NGERH0991FCZZ	41330537500	AC		C	Gear (20.20MXL)
21	LBNDJ0013FCZ1	41330513400	AA		C	Wire band
22	DHA i-0066QSZZ	41330508500	AD		C	Manual feeding earth harness
23	XHBSE30P06000	41330608500	AA		C	Screw (3x6)
24	XBPSD30P06KS0	41330605600	AA		C	Screw (3x6K)
25	CPL TM0023QS03	41330503000	AG		C	Paper plate 1
26	PP iPP0175FCZZ	41330550800	AC		C	Pipe B
27	MSPRC1316FCZ1	41330529000	AE		C	MF clutch spring B
28	LBÖSZ1509FCZ1	41330514000	AD		C	Cam boss B
29	RPLU-0003QSZZ	41330568500	AN		B	Multi feeding solenoid
30	MSPRC1318FCZ1	41330529100	AA		C	Spring B
31	PTME-0179FCZZ	41330557700	AC		C	Manual paper feeding pawl B
32	PTME-0178FCZ1	41330557600	AC		C	Manual paper feeding pawl A
33	MSPRC2175FCZZ	41330529300	AA		C	Pawl A spring
34	XBBSD30P08000	41330605000	AA		C	Screw (3x8)
35	LFRM-0010QSHZ	41330515300	AM	N	D	Multi frame
36	XEBSE40P12000	41330607600	AA		C	Screw (4x12)
37	LSTPP0300FCZZ	41330521800	AB		C	Stopper plate
38	MARMP0205FCZZ	41330524400	AF		C	Arm B
39	MARMP0204FCZ1	41330524300	AF		C	Arm A
40	MHNG-0002QSZZ	41330524600	AC		C	Arm hinge
41	MSPRC0048QSZZ	41330527500	AB		C	Arm C spring
42	PG iDM0018QSHZ	41330547800	AE	N	C	MB side guide R
43	PG iDM0017QSHZ	41330547700	AE	N	C	MB side guide L
44	PCÖVP0019QSHZ	41330543400	AH	N	D	Multi tray front cover
46	NGERH0021QSZZ	41330535600	AD		C	Manual feeding gear

16 Multi Manual paper feeding unit

NO.	PARTS CODE	OEM CODE	PRICE RANK	NEW MARK	PART RANK	DESCRIPTION
48	LSOU-0002QSHZ	41330520800	AL	N	D	Multi tray 1
49	LSOU-0003QSHZ	41330520900	AH	N	D	Multi tray 2
50	MSPRC0109QSZZ	41330528400	AC	N	C	Spring
501	CSOU-0002RS55	41330506200	BA	N	E	Multi manual paper feeding tray unit
502	CFRM-0010RS53	41330502100	BL	N	E	Multi manual paper feeding unit

16 Multi Manual paper feeding unit

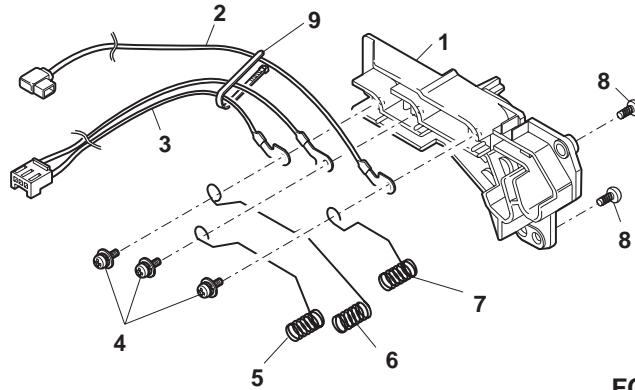


FCP04855

17 Socket holder unit

NO.	PARTS CODE	OEM CODE	PRICE RANK	NEW MARK	PART RANK	DESCRIPTION
1	LHLDZ0009QSDZ	41330516300	AG		C	HV interface holder
2	CHA i -0032RS51	41330502600	BE		C	MC harness unit
3	CHA i -0028RS51	41330502500	BE		C	GB-MCFB harness unit
4	XBPSC30P06ES0	41330605300	AA		C	Screw (3×6ES)
5	MSPRC0017QSZZ	41330526000	AC		C	HV terminal spring
6	MSPRC0018QSZZ	41330526100	AC		C	HV terminal spring
7	MSPRC0016QSZZ	41330525900	AC		C	HV terminal spring
8	XEBSD30P08000	41330606500	AA		C	Screw (3×8)
9	LBNDJ0013FCZ1	41330513400	AA		C	Wire band

17 Socket holder unit

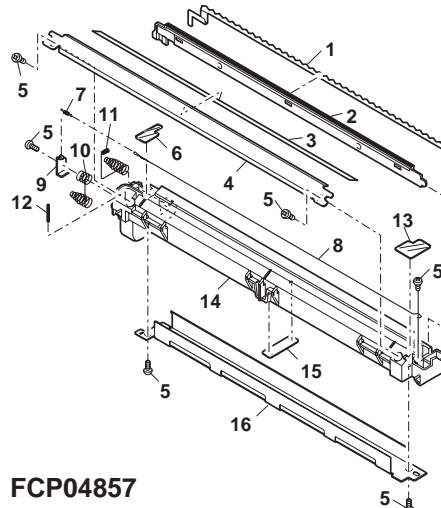


FCP04856

18 TC case unit

NO.	PARTS CODE	OEM CODE	PRICE RANK	NEW MARK	PART RANK	DESCRIPTION
1	PSHEZ0018QSZZ	41330552900	AF		C	Discharge plate sheet
2	PG i DM0011QSZZ	41330547300	AE		C	Separator guige
3	PSHEP0019QSZ1	41330551700	AC		C	TC sheet
4	PG i DH0025QSZ1	41330546500	AG		C	TC front guide
5	XEBSD30P06000	41330606400	AA		C	Screw (M3×6)
6	PSHEP0021QSZZ	41330551900	AA		C	TC cover sheet R
7	MSPRT0513FCZ1	41330532000	AA		C	MC tension spring
8	DW i R -0466CSZZ	41330510600	BG		B	Charger wire
9	QSLP -0007QSZZ	41330562500	AC		C	TC electrode plate
10	MSPRC0027QSZZ	41330526700	AC		C	TC electrode spring
11	MSPRC0028QSZZ	41330526800	AC		C	BC electrode spring
12	MSPRC0051QSZZ	41330527700	AA		C	Front guide earth spring
13	PSHEP0020QSZZ	41330551800	AB		C	TC cover sheet F
14	LHLDZ0010QSZ1	41330516400	AL		C	TC holder
15	LF i X -0004QSZZ	41330514700	AC		C	Holer fixing plate
16	PCASZ0002QSZZ	41330542400	AL		D	TC case
	(Unit)					
901	CHLDZ0010RS52	41330502700	AU		E	Transcription holder unit

18 TC case unit

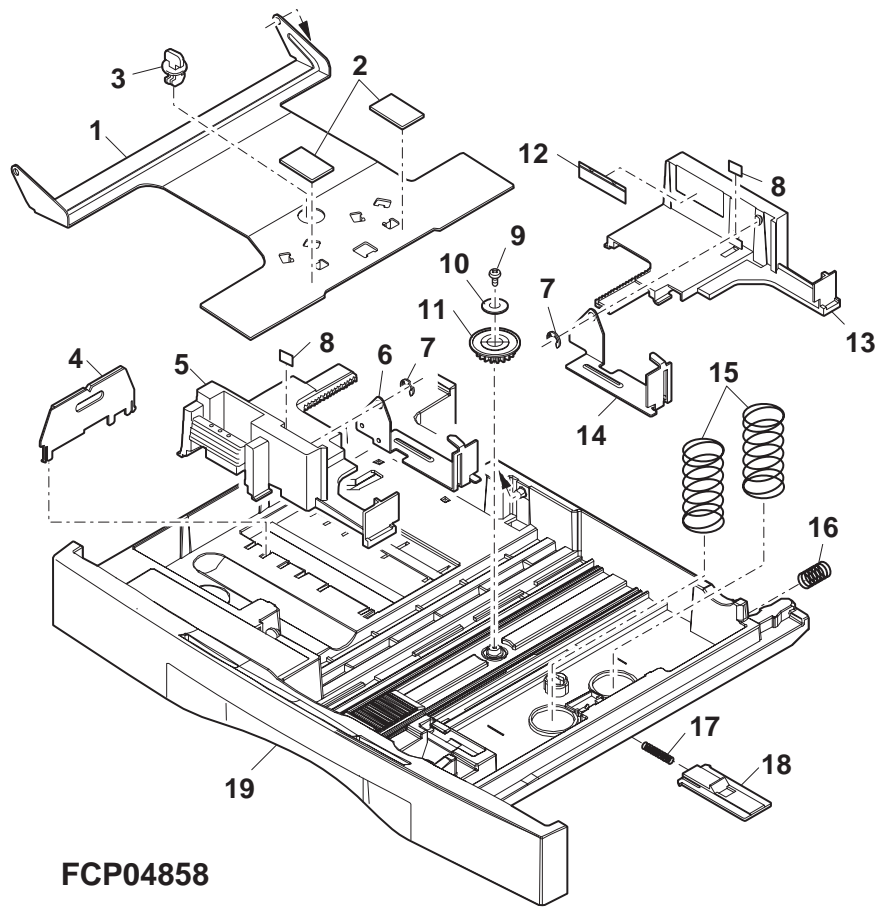


FCP04857

19 250 Sheets tray

NO.	PARTS CODE	OEM CODE	PRICE RANK	NEW MARK	PART RANK	DESCRIPTION
1	LPLTM5106FCZZ	41330519100	AR		C	Turning plate 250
2	PSHEZ4142FCZZ	41330556400	AC		C	Rotation plate sheet
3	LHLDW1226FCZZ	41330516000	AB		C	Turn fasner
4	LPLTM2642FCGZ	41330519000	AD		C	Tray rear plate
5	LPLTP5107FCZZ	41330520200	AH		C	250 tray side plate F
6	PTME-0255FCZZ	41330557800	AG		C	250 Tray pawl F
7	XRESP40-06000	41330609500	AA		C	E type ring
8	PSHEP0061QSZZ	41330552600	AA		C	Tray guide sheet
9	XEBSE30P08000	41330607300	AA		C	Screw (3x8)
10	LX-WZ2028SCZZ	41330523600	AA		C	Washer (φ12)
11	NGERH0193FCZZ	41330537100	AB		C	Manual feeding gear
12	TLABZ3568FCZZ	41330575400	AB		D	Indication label
13	LPLTP5108FCZZ	41330520300	AH		C	250 tray side plate R
14	PTME-0256FCZZ	41330557900	AG		C	250 Tray pawl R
15	MSPRC0108QSZZ	41330528300	AC		C	250 Tray spring
16	MSPRC1873FCZ1	41330529200	AB		C	Tray spring
17	MSPRC1145FCZZ	41330528800	AA		C	Stopper spring
18	LSTPP0161FCZZ	41330521700	AB		C	Rotation plate stopper
19	GCASP0001QSH2	41330511400	AY	N	D	250 Tray case
	(Unit)					
901	CCASP0001RS54	41330501000	BN	N	E	250 Tray unit

19 250 Sheets tray

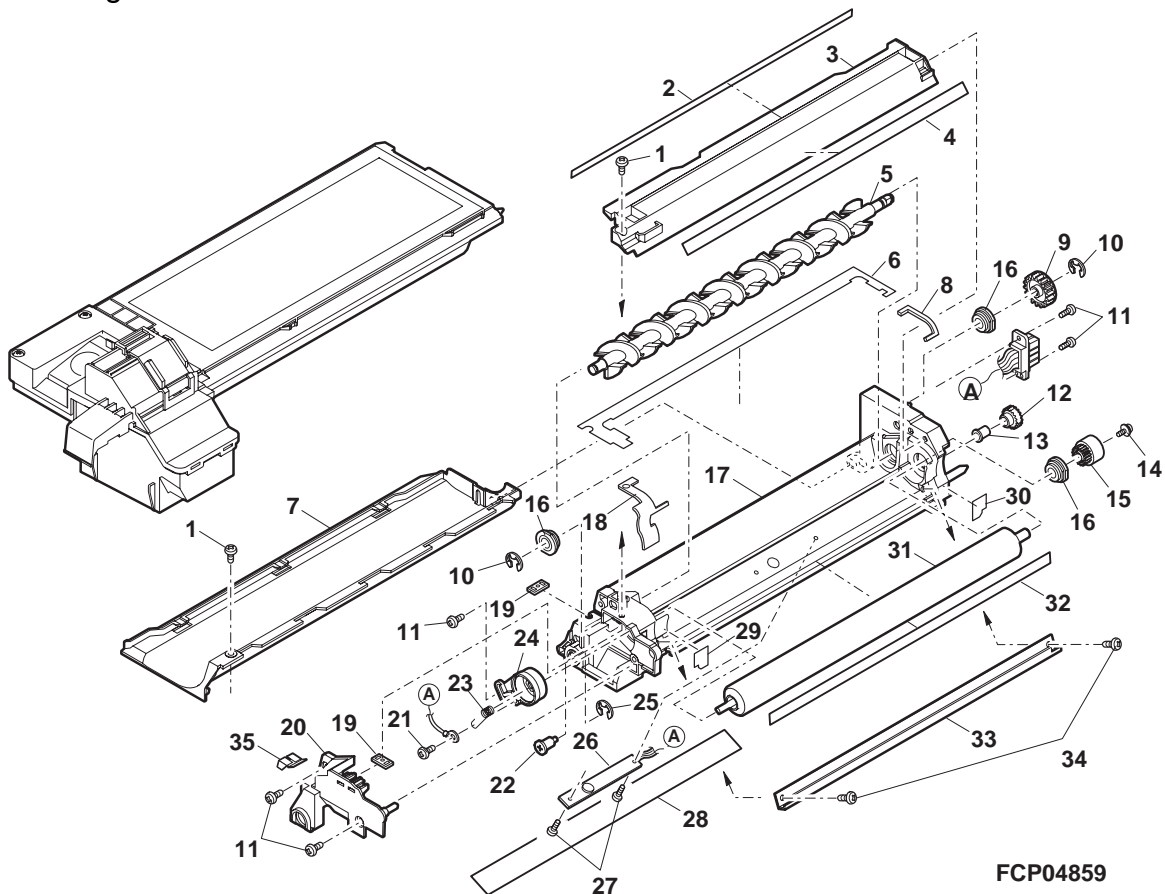


FCP04858

20 DV cartridge unit

NO.	PARTS CODE	OEM CODE	PRICE RANK	NEW MARK	PART RANK	DESCRIPTION
1	XBBSE30P08000	41330605200	AA		C	Screw (3x8)
2	PSEL-0110QSZZ	41330551600	AF	N	C	DV-COV sheet
3	PCOVP0081QSZZ	41330544900	AF		D	DV-cover-U
4	UCLEZ0006QS11	41330576000	AF		D	DV blade
5	NRÖLP0073QSZZ	41330540100	AS		C	DMX roller
6	PSEL-0083QSZ1	41330551300	AF		C	DV seal CN
7	PGiDM0090QSZZ	41330548700	AH		C	TN guide D
8	PSEL-0084QSZ1	41330551400	AA		C	DV seal RN
9	NGERH0135QSZZ	41330536900	AD		C	DMX Gear (28T)
10	XRESP40-06000	41330609500	AA		C	E type ring
11	XEBSF30P08000	41330607900	AA		C	Screw (3x8)
12	NGERH0001YSZZ	41330534200	AD		C	DV idle gear (20T)
13	NBRGC0021QSZZ	41330532900	AD		C	DID bearing
14	XBPSD30P06KS0	41330605600	AA		C	Screw (3x6K)
15	NGERH0145QSZZ	41330537000	AD		C	DV gear (18T)
16	NBRGC0020QSZZ	41330532800	AH		C	DMX bearing
17	PBOX-0012QSZZ	41330541700	AN		D	DV-BOX
18	PSEL-0082QSZZ	41330551200	AC		C	DV seal FN
19	LPLTM0194QSZZ	41330518900	AC		C	DV fixing plate
20	PCOVP0082QSZZ	41330545000	AD		D	DV-cover-F
21	XEBSD30P06000	41330606400	AA		C	Screw (M3x6)
22	LX-BZ0656FCZZ	41330522800	AD		C	Screw
23	MSPRK0001YSZZ	41330530200	AB		C	Byass spring
24	LHLDR0081QSZZ	41330515900	AC		C	MG holder
25	XRESP50-06000	41330609600	AA		C	E type ring
26	RDTCM0013QSZZ	41330565900	AY		B	ATC sensor
27	XUBUZ30P06000	41330609800	AA		C	Screw
28	PSEL-0080QSZZ	41330551100	AE		C	DV seal A
29	PSHEZ0029QS11	41330553200	AC		C	Side sheet FN
30	PSEL-0096QSZZ	41330551500	AA	N	C	DV side seal RN
31	NRÖLM0074QSZZ	41330539300	AZ		C	MG roller
32	PMLT-0008QSZZ	41330549500	AC		C	DVC cushion
33	LPLTM0003YSZZ	41330517400	AK		C	DV doctor N
34	XUBUZ30P08000	41330609900	AA		C	Screw
35	PBRSR0022QSZ1	41330542100	AF	N	B	Brush

20 DV cartridge unit

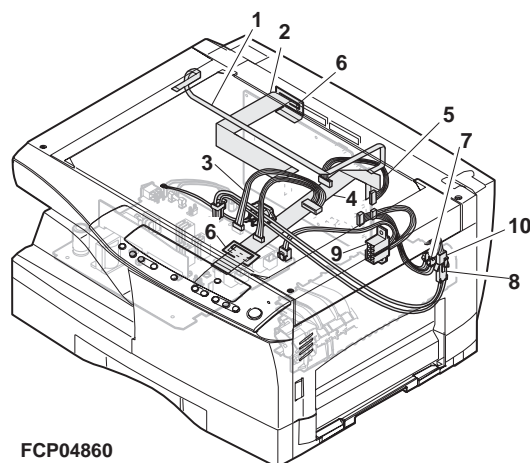


FCP04859

21 Harness

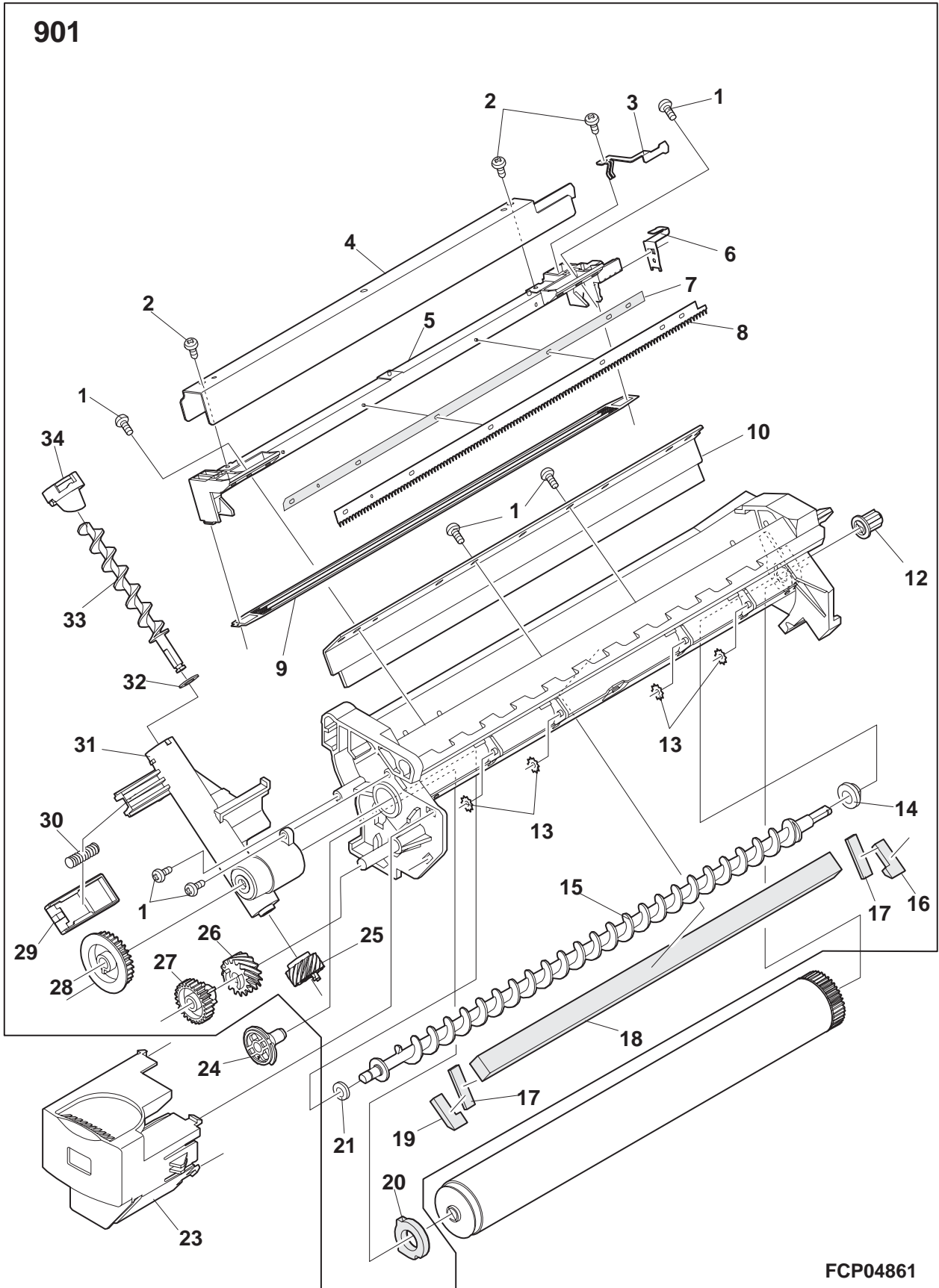
NO.	PARTS CODE	OEM CODE	PRICE RANK	NEW MARK	PART RANK	DESCRIPTION
1	DHA i - 0041QSZZ	41330507200	AF		C	CL lead harness
2	DHA i - 0042QSZZ	41330507300	AK		C	ICU-CCD harness
3	DHA i - 0064QSZZ	41330508400	AV		C	Center frame harness (AR-122)
	DHA i - 0163QSZZ	41330509400	AS		C	Center frame harness (AR-151)
4	DHA i - 0040QSZZ	41330507100	AK		C	OP harness
5	DHA i - 0045QSZZ	41330507400	AD		C	Main motor harness
6	PSHEZ0141QSZZ	41330555200	AC		C	Core holding mylar
7	DHA i - 0037QSZ1	41330507000	AS		C	PPD2 interface harness
8	DHA i - 0057QSZZ	41330508100	AN		C	HL harness 1
9	DHA i - 0170QSZZ	41330509700	AS		C	DVS harness CRSM2
10	DHA i - 0058QSZ1	41330508200	AL		C	HL harness 2

21 Harness



22 Process unit

NO.	PARTS CODE	OEM CODE	PRICE RANK	NEW MARK	PART RANK	DESCRIPTION
1	XEBSD30P10000	41330606600	AA		C	Screw (3x10)
2	XEBSD26P05000	41330606200	AA		C	Screw
3	QTANP0004QSZZ	41330563500	AD		C	Saw terminal
4	PCASZ0004QSZZ	41330542600	AK		C	MC case
5	LHLDZ0016QSZZ	41330516700	AM		C	MC holder unit
6	QTANP0005QSZZ	41330563600	AC		C	Grid terminal
7	PTPE-0003QSZ1	41330558000	AF		C	Saw tape
8	LPLTM0033QSZZ	41330518000	AF		C	Saw
9	LPLTM0034QSZ1	41330518100	AE	N	C	Grid
10	UCLEZ0007QSZZ	41330576100	AU		C	Cleaning blade
12	NCPL-0003QSZZ	41330533900	AC		C	Screw cupring
13	LX-WZ0329FCZZ	41330523500	AB		C	Washer
14	PMLT-0018QSZ1	41330549900	AC		C	Transport screw cushion
15	NSFTZ0004QSZZ	41330540900	AK		C	Screw
16	PSEL-0022QSZ1	41330551000	AF		C	Seal R
17	PMLT-0015QSZZ	41330549600	AA		C	Toner shield cushion
18	PMLT-0016QSZZ	41330549700	AD		C	CL blade cushion
19	PSEL-0021QSZ1	41330550900	AF		C	Seal F
20	PMLT-0017QSZZ	41330549800	AC		C	Flange cushion
21	NBRGP0299FCZZ	41330533600	AC		C	DV bearing
23	PCOVP0018QSZZ	41330543300	AG		C	Drum cover
24	LPLTP0010QSZZ	41330519500	AD		C	Drum holding plate
25	NGERH0039QSZZ	41330536400	AE		C	Transport pipe gear
26	NGERH0038QSZZ	41330536300	AC		C	Transport pipe gear
27	NGERH0037QSZZ	41330536200	AC		C	Idle gear
28	NGERH0036QSZZ	41330536100	AC		C	Transport screw gear
29	PSHT-0004QSZ1	41330556500	AC		C	Toner pipp shuter
30	MSPRC0045QSZZ	41330527300	AA		C	Toner pipe spring
31	PP i PP0004QSZZ	41330550400	AH		C	Toner pipe
32	PSPAZ0696FCZZ	41330556700	AC		C	P cap spacer
33	NSFTZ0003QSZZ	41330540800	AD		C	Transport pipe screw
34	PCAPH0008QSZZ	41330542200	AC		C	Toner pipe cap
	(Unit)					
901	CDRM-0002RS7A	41330501500	BH		E	Process unit

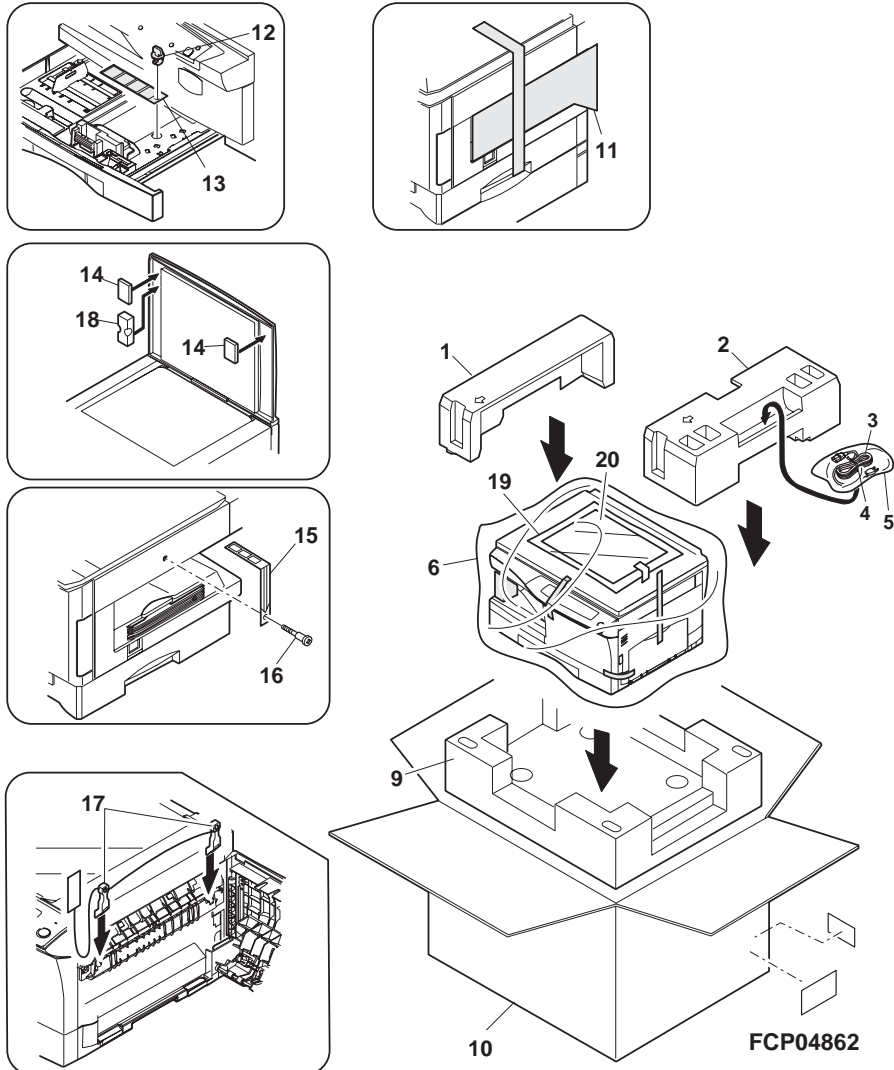


FCP04861

23 Packing material & accessories

NO.	PARTS CODE	OEM CODE	PRICE RANK	NEW MARK	PART RANK	DESCRIPTION
1	SPAKA0049QSZZ	41330569700	AP		D	Top packing L (AR-122)
	SPAKA0208QSZZ	41330570200	AN		D	Top packing L (AR-151)
2	SPAKA0048QSZZ	41330569600	AP		D	Top packing R (AR-122)
	SPAKA0209QSZZ	41330570300	AQ		D	Top packing R (AR-151)
3	QACCL7621QCZZ	41330610700	AX		B	AC cable (Oceania)
	QACCV6621QCN1	41330558500	AU		B	AC cable (Other countries)
4	UBNDA0001FCZZ	41330575900	AA		C	AC cable band
5	SSAKA5003CCZZ	41330573100	AA		D	Vinyl bag
6	SSAKZ0002QSZZ	41330573400	AF		D	Body vinylbag
9	SPAKA0047QSZZ	41330569500	AX		D	Bottom packing (AR-122)
	SPAKA0106QSZZ	41330570100	AY		D	Bottom packing (AR-151)
10	SPAKC0393TSZZ		*	N	D	Packing case (AR-122)[Europe]
	SPAKC0336TSZZ		*	N	D	Packing case (AR-151)[Europe]
	SPAKC0393RS11	41330610800	AY	N	D	Packing case (AR-122)[Asia,Oceania]
	SPAKC0336RS12	41330610900	AY	N	D	Packing case (AR-151)[Asia,Oceania]
11	SPAKA0050QSZZ	41330569800	AE		D	Fixer packing
12	LHLDW1226FCZZ	41330516000	AB		C	Turn fasner
13	TTAG-0002QSZZ	41330575600	AB		D	Tray rotation tag
14	SPAKA0051QSZZ	41330569900	AC		D	OC packing
15	TTAG-0003QSZZ	41330575700	AC		D	Mirror fixing tag
16	LX-BZ0001QSZZ	41330521900	AD		C	2nd,3rd mirror unit fixing screw
17	CLEVP0016QS01	41330502900	AL		C	Pressure block lever
18	SPAKA0068QSZZ	41330570000	AD		D	Front exterior sub packing
19	SSAKA2347QCZZ	41330572900	AB		D	Vinyl bag [Asia,Oceania]
20	T iNSE0644QSZZ	41330574400	AW		D	Operation manual [Asia,Oceania]
	T iNSX0633QSZZ	41330574700	AY		D	Operation manual(AR-PG1) (AR-122)[Asia,Oceania]
100	CDSKA0009QS31	41330501700	AL		D	CD-ROM (AR-122)

23 Packing material & accessories



24 Operation PWB

NO.	PARTS CODE	OEM CODE	PRICE RANK	NEW MARK	PART RANK	DESCRIPTION
1	QCNCM0861FCZZ	41330558900	AB		C	Connector (3pin) [CN802]
2	QCNCW1132LC1H	41330561900	AD		C	Connector (18pin) [CN801]
3	QSW-P0005QSZZ	41330563300	AC		B	Tact swtch (B3F-6102) [CLK,PSW,1UPK,10UPK,ZUPK,ZDWK]
	QSW-P0005QSZZ	41330563300	AC		B	Tact swtch (B3F-6102) [MAGK,BPK,CRSK,EXUPK,EXMODK,EXDWK]
4	QSW-P0005QSZZ	41330563300	AC		B	Tact swtch (B3F-6102) (AR-151)[OLK]
	VCCCTV1HH201J	41330577500	AA		C	Capacitor (50WV 200pF) [C904,905,906]
5	VCEAJU1CW476M	41330580300	AB		C	Capacitor (16WV 47μF) [C802]
6	VCKYTV1EB104K	41330582200	AA		C	Capacitor (25WV 0.10μF) [C907,908]
7	VCKYTV1HB102K	41330582300	AA		C	Capacitor (50WV 1000pF) [C909-920,922]
8	VCKYTV1HB223K	41330582400	AA		C	Capacitor (50WV 0.022μF) [C901,903]
9	VHDDSS133// -1	41330584000	AA		B	Diode (DSS133) [D801-810]
10	VHiLC7935// -1	41330587600	AN		B	IC (LC7935) [IC901]
11	VHiTC74HC151F	41330590600	AG		B	IC (TC74H151F) [IC902,903]
12	VHP1LHLE-002A	41330592100	AC		B	LED(Green) (1LHLE-002A) [CS1L,EXD,EXN,EXL,AE,ZPL,1ENR]
	VHP1LHLE-002A	41330592100	AC		B	LED(Green) (1LHLE-002A) [2ENR,NOR,1RE,2RE,3RE,ME,PE]
	VHP1LHLE-002A	41330592100	AC		B	LED(Green) (1LHLE-002A) [RPL,ONLL,PML,BPL]
	VHP1LHLE-002A	41330592100	AC		B	LED(Green) (1LHLE-002A) (AR-151)[DATL,SPFL,CS2L]
13	VHP1LHEE-002A	41330592000	AC		B	LED (Red) (1LHEE-002A) [TPL,DPL,JPL,MPL]
	VHP1LHEE-002A	41330592000	AC		B	LED (Red) (1LHEE-002A) (AR-151)[SJAL]
14	VHPCST338G-25	41330592200	AP		B	LED (CST338G-25) [LEDM]
15	VRS-TP2BD000J	41330599700	AA		C	Resistor (1/8W 0Ω ±5%)
16	VRS-TS2AD101J	41330600600	AA		C	Resistor (1/10W 100Ω ±5%) [R948-960]
17	VRS-TS2AD102J	41330600700	AA		C	Resistor (1/10W 1.0KΩ ±5%) [R932-935,944-946]
18	VRS-TS2AD103J	41330600800	AA		C	Resistor (1/10W 10KΩ ±5%) [R962]
19	VRS-TS2AD121J	41330601000	AA		C	Resistor (1/10W 120Ω ±5%) [R902-918]
20	VRS-TS2AD151J	41330601200	AA		C	Resistor (1/10W 150Ω ±5%) [R939-941]
21	VRS-TS2AD152J	41330601300	AA		C	Resistor (1/10W 1.5KΩ ±5%) [R936,937,938]
22	VRS-TS2AD472J	41330602100	AA		C	Resistor (1/10W 4.7KΩ ±5%) [R919-930,947]
23	VRS-TS2AD511J	41330602300	AA		C	Resistor (1/10W 510Ω ±5%) [R942,943]
24	VSDTB113ZK/-1	41330604400	AD		B	Transistor (DTB113ZK) [Q901,902,903]
	(Unit)					
901	CPWBF0014QSE2	41330504500	BC	N	E	Operation PWB (AR-122)
	CPWBF0014QSF2	41330504600	BC	N	E	Operation PWB (AR-151)

25 GDI Memory PWB

NO.	PARTS CODE	OEM CODE	PRICE RANK	NEW MARK	PART RANK	DESCRIPTION
1	QCNCM0011QSZZ	41330558600	AH		C	Connector (40pin) [CN701]
2	VCKYTQ1HF104Z	41330582100	AA		C	Capacitor (50WV 0.10μF) [C701,702]
	VCKYTQ1HF104Z	41330582100	AA		C	Capacitor (50WV 0.10μF) (AR-151)[C705]
3	VCKYTV1HB223K	41330582400	AA		C	Capacitor (50WV 0.022μF) [C703]
4	VHi16163CLT-6	41330584900	BA		B	IC (16163CLT-6) [IC701,702]
	VHi16163CLT-6	41330584900	BA		B	IC (16163CLT-6) (AR-151)[IC703]
5	VRS-TS2AD100J	41330600500	AA		C	Resistor (1/10W 10Ω ±5%) [R701-735]
	(Unit)					
901	CPWBF0013QSE1	41330504300	BF	N	E	GDI memory PWB 4MB (AR-122)
	CPWBF0013QSE2	41330504400	BM	N	E	GDI memory PWB 6MB (AR-151)

26 POD sensor PWB

NO.	PARTS CODE	OEM CODE	PRICE RANK	NEW MARK	PART RANK	DESCRIPTION
1	DHAi-0034QSZZ	41330506700	AQ		C	POD harness
2	LBNDJ0037FCZ1	41330513500	AA		C	Wire band (T18S)
3	VCKYPU1HB102K	41330582000	AA		C	Capacitor (50WV 0.001μF)
4	VHPGP1S53V/-1	41330592400	AE		B	Photo trnasistor (GP1S53V)
	(Unit)					
901	CPWBF1177DS57	41330505100	AV		E	POD sensor PWB

27 PPD1 sensor PWB

NO.	PARTS CODE	OEM CODE	PRICE RANK	NEW MARK	PART RANK	DESCRIPTION
1	DHAi-0035QSZZ	41330506800	AF		C	PPD1 harness
2	LBNDJ0037FCZ1	41330513500	AA		C	Wire band (T18S)
3	VCKYPU1HB102K	41330582000	AA		C	Capacitor (50WV 0.001μF)
4	VHPGP1S53V/-1	41330592400	AE		B	Photo trnasistor (GP1S53V)
	(Unit)					
901	CPWBF1177DS58	41330505200	AQ		E	PPD1sensor PWB

28 PPD2 sensor PWB

NO.	PARTS CODE	OEM CODE	PRICE RANK	NEW MARK	PART RANK	DESCRIPTION
1	DHA i - 0036QSZZ	41330506900	AQ		C	PPD2 harness
2	LBNDJ0037FCZ1	41330513500	AA		C	Wire band (T18S)
3	VCKYPU1HB102K	41330582000	AA		C	Capacitor (50WV 0.001μF)
4	VHPGP1S53V/-1	41330592400	AE		B	Photo trnasistor (GP1S53V)
	(Unit)					
901	CPWBF1177DS59	41330505300	AV		E	PPD2 sensor PWB

29 MCU PWB(AR-151)

NO.	PARTS CODE	OEM CODE	PRICE RANK	NEW MARK	PART RANK	DESCRIPTION
4	QCNCM0923FC10	41330559100	AE		C	Connector (B10B-PHDSS-B) [CN17]
5	VRNHT2EK1301F	41330594000	AB		C	Resistor (1/4W 1.3KΩ ±1%) [R3]
6	TLABZ3405FCZZ	41330575300	AB		D	Version label
7	VH i MX27C4096D	41330589100	AZ		B	EPROM (MX27C4096DC-10) [IC6]
8	VH i H8S/2350FP	41330586800	AY		B	CPU (H8S/2350) [IC9]
9	VH i HG73C025FD	41330587000	BE		B	IC (HG73C039FD) [IC10]
10	RCRSZ0001QSZZ	41330565300	AG		B	Crystal (AT-51(19.6608MHz) [X1]
11	RCRSZ0011QSZZ	41330565500	AP		B	Crystal (1329(13.9867MHz) [X2]
12	RCRSZ0003QSZZ	41330565400	AP		B	Crystal (1330(22.0000MHz) [X3]
13	QCNCM0923FC14	41330559200	AE		C	Connector (B14B-PHDSS-B) [CN6]
14	QCNCM0923FC18	41330559300	AF		C	Connector (B18B-PHDSS-B) [CN23]
15	QCNCM0923FC24	41330559400	AF		C	Connector (B24B-PHDSS-B) [CN26]
16	QCNCM1005MCZZ	41330559500	AB		C	Connector (B2P-VH) [CN9]
17	QCNCM1069AC0D	41330559600	AC		C	Connector (B4P-VH) [CN4]
18	QCNCM1119LC0C	41330559700	AC		C	Connector (B3B-PH-K-M) [CN10,CN31]
19	QCNCM1119LC0E	41330559800	AC		C	Connector (B5B-PH-K-M) [CN13]
20	QCNCM2401SC0C	41330559900	AB		C	Connector (B3B-PH-K-R) [CN14]
21	QCNCM2401SC0E	41330560000	AC		C	Connector (B5B-PH-K-R) [CN12]
22	QCNCM2401SC0F	41330560100	AB		C	Connector (B6B-PH-K-R) [CN29]
23	QCNCM7014SC0C	41330560200	AA		C	Connector (B3B-PH-K-S) [CN7,CN22,CN27]
24	QCNCM7014SC0D	41330560300	AB		C	Connector (B4B-PH-K-S) [CN11]
25	QCNCM7014SC0E	41330560400	AB		C	Connector (B5B-PH-K-S) [CN21]
26	QCNCP0340QCZZ	41330560600	AC		C	Connector (B3B-PH-K-K) [CN1]
27	QCNCW0948FCZ5	41330561200	AC		C	Connector (B05B-XASK-1) [CN19]
28	QCNCW1124LC0D	41330561300	AB		C	Connector (04FE-BT-VK-N) [CN25]
29	QCNCW1124LC0H	41330561400	AC		C	Connector (08FE-BT-VK-N) [CN18]
30	QCNCW1124LC1H	41330561500	AD		C	Connector (18FE-BT-VK-N) [CN20]
31	QCNCW1124LC3A	41330561700	AE		C	Connector (31FE-BT-VK-N) [CN15]
32	QCNCW00240QSZZ	41330560800	AF		C	Connector (FF4-32-S15D5) [CN30]
33	QCNCM0038QSZZ	41330558700	AH		C	Connector (52340-0402(40pin)) [CN16]
34	QCNCW00150QSZZ	41330560700	AE		C	Connector (52147-0510(5pin)) [CN28]
35	QCNCW0033QSZZ	41330560900	AV		C	Connector (TX25-60P-23ST-H1) [CN5]
36	QCNCM0879FCZZ	41330559000	AF		C	Connector (B28B-PHDSS-B) [CN3]
37	QSÖCZ0002QSZZ	41330562800	AD		C	IC Socket (CICO-083-S8-T(8pin) [IC16]
38	QSÖCZ0003QSZZ	41330562900	AD		C	IC Socket (CICO-406-S8A-T(40pin) [IC6]
39	VH i 61256J12-1	41330585200	AS		B	SRAM (UT61256JC-12) [IC5,IC7,IC14,IC15]
40	VH i 74VHC08/-1	41330585900	AE		B	IC (74VHC08) [IC111]
41	VH i LM358PS/-S	41330588000	AC		B	IC (LM358) [IC109]
42	VH i M24C02WBN6	41330588500	AG		B	IC (M24C02-WBN6) [IC16]
43	VH i M51953BL-1	41330588600	AF		B	IC (M51953) [IC4]
44	VH i M66236FP-1	41330588700	AT		B	IC (M66236FP) [IC107]
45	VH i NJM2903M/-	41330589300	AD		B	IC (NJM2903M) [IC101]
46	VH i NJM3414AM1	41330589400	AF		B	IC (NJM3414A) [IC110]
48	VH i SN74LS07NS	41330590300	AF		B	IC (74LS07) [IC106,IC108]
49	VH i TA7291S/-1	41330590400	AF		B	IC (TA7291S) [IC1]
50	VH i TC74HC14FN	41330590500	AH		B	IC (74HC14) [IC113]
51	VH i TC74HC151F	41330590600	AG		B	IC (74HC151) [IC102,IC103,IC104,IC105]
52	VH i TD62503F/-	41330591100	AG		B	IC (TD62503F) [IC8]
53	VH i TD62003AP1	41330590900	AG		B	IC (TD62003) [IC2,IC3]
54	VH i TD62064AF/	41330591000	AM		B	IC (TD62064AF) [IC13,IC11]
55	RMP TW4102QCJJ	41330567200	AB		B	Block resistor (1.0KΩ×4) [BR20,BR18,BR17,BR51,BR71]
	RMP TW4203QCJJ	41330567400	AA		B	Block resistor (20KΩ×4 1/32W ±5%) [BR1-BR13,BR19,BR21,BR22]
56	RMP TW4203QCJJ	41330567400	AA		B	Block resistor (20KΩ×4 1/32W ±5%) [BR27,BR28,BR33,BR35,BR40-BR50]
	RMP TW4203QCJJ	41330567400	AA		B	Block resistor (20KΩ×4 1/32W ±5%) [BR52,BR53,BR62,BR63,BR68,BR70,BR72,BR73]
	RMP TW4470QCJJ	41330568100	AB		B	Block resistor (47Ω×4 1/32W ±5%) [BR23,BR24,BR25,BR26,BR29,BR30,BR36]
57	RMP TW4470QCJJ	41330568100	AB		B	Block resistor (47Ω×4 1/32W ±5%) [BR37,BR38,BR39,BR54,BR57,BR58]
	RMP TW4470QCJJ	41330568100	AB		B	Block resistor (47Ω×4 1/32W ±5%) [BR59,BR60,BR61,BR65,BR66,BR67]
	RMP TW4100QCJJ	41330567100	AA		B	Block resistor (10Ω×4) [BR14,BR15,BR16,BR31,BR32]
58	RMP TW4100QCJJ	41330567100	AA		B	Block resistor (10Ω×4) [BR34,BR55,BR64,BR74,BR75]
59	RMP TW4300QCJJ	41330567900	AA		B	Block resistor (30Ω×4 1/32W ±5%) [BR56,BR69]

29 MCU PWB(AR-151)

NO.	PARTS CODE	OEM CODE	PRICE RANK	NEW MARK	PART RANK	DESCRIPTION
60	VRS-TP2BD121J	41330599800	AA		C	Resistor (1/8W 120Ω ±5%) [R192]
61	VRS-TP2BD151J	41330599900	AA		C	Resistor (1/8W 150Ω ±5%) [R150,R169,R269,R275,R294,R295]
62	VRS-TP2BD221J	41330600000	AB		C	Resistor (1/8W 220Ω ±5%) [R156]
63	VRS-TP2BD241J	41330600100	AA		C	Resistor (1/8W 240Ω ±5%) [R102,R101]
64	VRS-TP2BD432J	41330600200	AA		C	Resistor (1/8W 4.3KΩ ±5%) [R136]
65	VRS-TP2BD472J	41330600300	AA		C	Resistor (1/8W 4.7KΩ±5%) [R135,R122]
66	VRS-HT3DA102J	41330599200	AA		C	Resistor (2W 1.0KΩ ±5%) [R1]
67	VRS-HT3DA1R0J	41330599300	AB		C	Resistor (2W 1.0Ω ±5%) [R4,R5]
68	VRS-HT3DAR22J	41330599400	AA		C	Resistor (2W 0.22Ω ±5%) [R2]
70	VRS-CY1JD100J	41330594300	AA		C	Resistor (1/16W 10Ω ±5%) [R106-R112,R128,R130,R131]
	VRS-CY1JD100J	41330594300	AA		C	Resistor (1/16W 10Ω ±5%) [R132,R157-R168,R173,R174,R175]
	VRS-CY1JD100J	41330594300	AA		C	Resistor (1/16W 10Ω ±5%) [R176,R184,R185,R199,R204,R205,R210]
	VRS-CY1JD100J	41330594300	AA		C	Resistor (1/16W 10Ω ±5%) [R211,R212,R221,R231,R244,R333]
71	VRS-CY1JD101J	41330594400	AA		C	Resistor (1/16W 100Ω ±5%) [R216,R248,R276]
72	VRS-CY1JD102F	41330594500	AA		C	Resistor (1/16W 1KΩ ±1%) [R151]
73	VRS-CY1JD102J	41330594600	AA		C	Resistor (1/16W 1.0KΩ ±5%) [R137,R139,R140,R142,R149,R188]
	VRS-CY1JD102J	41330594600	AA		C	Resistor (1/16W 1.0KΩ ±5%) [R196,R197,R224,R229,R240,R247]
	VRS-CY1JD102J	41330594600	AA		C	Resistor (1/16W 1.0KΩ ±5%) [R259,R277,R278,R282,R283]
74	VRS-CY1JD103F	41330594700	AB		C	Resistor (1/16W 10KΩ ±1%) [R152,R177,R273,R274]
75	VRS-CY1JD103J	41330594800	AA		C	Resistor (1/16W 10KΩ ±5%) [R143,R179,R181,R182,R183,R189]
	VRS-CY1JD103J	41330594800	AA		C	Resistor (1/16W 10KΩ ±5%) [R219,R228,R232,R257,R258,R270]
	VRS-CY1JD103J	41330594800	AA		C	Resistor (1/16W 10KΩ ±5%) [R271,R272,R285,R301,R302]
76	VRS-CY1JD105F	41330595000	AA		C	Resistor (1/16W 1.0MΩ ±1%) [R155]
77	VRS-CY1JD122J	41330595400	AA		C	Resistor (1/16W 1.2KΩ ±5%) [R170]
78	VRS-CY1JD152J	41330595600	AA		C	Resistor (1/16W 1.5KΩ ±5%) [R193,R194,R195,R281]
79	VRS-CY1JD203J	41330596000	AA		C	Resistor (1/16W 20KΩ ±5%) [R113,R114,R115,R116,R119,R141,R147]
	VRS-CY1JD203J	41330596000	AA		C	Resistor (1/16W 20KΩ ±5%) [R148,R171,R172,R180,R190,R191,R198]
	VRS-CY1JD203J	41330596000	AA		C	Resistor (1/16W 20KΩ ±5%) [R200,R201,R208,R209,R213,R214,R220]
	VRS-CY1JD203J	41330596000	AA		C	Resistor (1/16W 20KΩ ±5%) [R237,R238,R241,R263,R264,R279]
	VRS-CY1JD203J	41330596000	AA		C	Resistor (1/16W 20KΩ ±5%) [R284,R296,R297,R298,R303]
80	VRS-CY1JD205J	41330596100	AA		C	Resistor (1/16W 2.0MΩ ±5%) [R266,R265]
81	VRS-CY1JD202J	41330595900	AA		C	Resistor (1/16W 2.0KΩ ±5%) [R243]
82	VRS-CY1JD222J	41330596400	AA		C	Resistor (1/16W 2.2KΩ ±5%) [R225,R226,R227,R230,R250,R251,R261,R262]
83	VRS-CY1JD242J	41330596700	AA		C	Resistor (1/16W 2.4KΩ ±5%) [R267,R268]
84	VRS-CY1JD301J	41330596800	AA		C	Resistor (1/16W 300Ω ±5%) [R252,R236,R304,R305]
85	VRS-CY1JD331J	41330597000	AA		C	Resistor (1/16W 330Ω ±5%) [R223]
86	VRS-CY1JD332J	41330597100	AA		C	Resistor (1/16W 3.3KΩ ±5%) [R203]
87	VRS-CY1JD333J	41330597200	AA		C	Resistor (1/16W 33KΩ ±5%) [R125]
88	VRS-CY1JD470J	41330597400	AA		C	Resistor (1/16W 47Ω ±5%) [R186,R187,R202,R207,R215,R217,R218]
	VRS-CY1JD470J	41330597400	AA		C	Resistor (1/16W 47Ω ±5%) [R222,R233,R234,R242,R245,R246]
	VRS-CY1JD470J	41330597400	AA		C	Resistor (1/16W 47Ω ±5%) [R253,R260,R300]
89	VRS-CY1JD472J	41330597500	AA		C	Resistor (1/16W 4.7KΩ ±5%) [R104,R153,R239]
90	VRS-CY1JD473J	41330597600	AA		C	Resistor (1/16W 47KΩ ±5%) [R103,R126,R133,R134,R254,R255]
91	VRS-CY1JD512J	41330597800	AA		C	Resistor (1/16W 5.1KΩ ±5%) [R286]
92	VRS-CY1JD621F	41330598000	AA		C	Resistor (1/16W 620Ω ±1%) [R178]
93	VRS-CY1JD621J	41330598100	AA		C	Resistor (1/16W 620Ω ±5%) [R235]
94	VRS-CY1JD680J	41330598300	AA		C	Resistor (1/16W 68Ω ±5%) [R206]
95	VRS-CY1JD751J	41330598500	AA		C	Resistor (1/16W 750Ω ±5%) [R256]
96	VRS-CY1JD752J	41330598600	AA		C	Resistor (1/16W 7.5KΩ ±5%) [R123,R124,R145,R146,R154,R249]
97	VRS-CY1JD912J	41330599000	AA		C	Resistor (1/16W 9.1KΩ ±5%) [R129]
98	VCCCCY1HH101J	41330576300	AA		C	Capacitor (50WV 100pF) [C179,C205,C206,C207,C208,C217,C227]
	VCCCCY1HH101J	41330576300	AA		C	Capacitor (50WV 100pF) [C234,C235,C236,C240,C244,C245,C246]
	VCCCCY1HH101J	41330576300	AA		C	Capacitor (50WV 100pF) [C247,C256,C275,C276,C277,C278]
	VCCCCY1HH101J	41330576300	AA		C	Capacitor (50WV 100pF) [C279,C281,C287,C288,C291,C292,C295]
	VCCCCY1HH101J	41330576300	AA		C	Capacitor (50WV 100pF) [C314,C399]
99	VCCCCY1HH120J	41330576400	AA		C	Capacitor (50WV 12pF) [C299,C261]
100	VCCCCY1HH180J	41330576600	AA		C	Capacitor (50WV 18pF) [C103,C108-C114,C140-C143]
	VCCCCY1HH180J	41330576600	AA		C	Capacitor (50WV 18pF) [C189,C190,C191,C192,C218,C219]
	VCCCCY1HH180J	41330576600	AA		C	Capacitor (50WV 18pF) [C220,C221,C267,C268,C324,C325,C326]
	VCCCCY1HH180J	41330576600	AA		C	Capacitor (50WV 18pF) [C332,C333,C334]
101	VCCCCY1HH330J	41330576900	AA		C	Capacitor (50WV 33pF) [C197,C203,C237,C241,C248,C274,C346]
	VCCCCY1HH330J	41330576900	AA		C	Capacitor (50WV 33pF) [C347,C348,C349,C367,C368,C369,C370]

29 MCU PWB(AR-151)

NO.	PARTS CODE	OEM CODE	PRICE RANK	NEW MARK	PART RANK	DESCRIPTION
102	VCCCCY1HH470J	41330577000	AA		C	Capacitor (50WV 47PF) [C102,C171,C172,C178,C198,C199,C200]
	VCCCCY1HH470J	41330577000	AA		C	Capacitor (50WV 47PF) [C209,C210,C211,C238,C239,C254]
	VCCCCY1HH470J	41330577000	AA		C	Capacitor (50WV 47PF) [C255,C272,C280,C315,C371,C389]
103	VCKYCY1CF104Z	41330580900	AA		C	Capacitor (16WV 0.1μF) [C101,C107,C117-C119,C126]
	VCKYCY1CF104Z	41330580900	AA		C	Capacitor (16WV 0.1μF) [C127,C130,C133-C137,C146]
	VCKYCY1CF104Z	41330580900	AA		C	Capacitor (16WV 0.1μF) [C149,C152,C157,C159-C161,C164]
	VCKYCY1CF104Z	41330580900	AA		C	Capacitor (16WV 0.1μF) [C167-C169,C180,C181,C183]
	VCKYCY1CF104Z	41330580900	AA		C	Capacitor (16WV 0.1μF) [C184,C195,C204,C213-C216]
	VCKYCY1CF104Z	41330580900	AA		C	Capacitor (16WV 0.1μF) [C222-C226,C228-C233,C242]
	VCKYCY1CF104Z	41330580900	AA		C	Capacitor (16WV 0.1μF) [C243,C249-C253,C257-C260]
	VCKYCY1CF104Z	41330580900	AA		C	Capacitor (16WV 0.1μF) [C263,C264,C266,C270,C271,C273,C282]
	VCKYCY1CF104Z	41330580900	AA		C	Capacitor (16WV 0.1μF) [C284-C286,C300,C301,C303,C306]
	VCKYCY1CF104Z	41330580900	AA		C	Capacitor (16WV 0.1μF) [C307,C311-C313,C317-C319]
	VCKYCY1CF104Z	41330580900	AA		C	Capacitor (16WV 0.1μF) [C323,C329,C330,C335-C339,C345]
	VCKYCY1CF104Z	41330580900	AA		C	Capacitor (16WV 0.1μF) [C350-C353,C357,C358,C360,C361]
	VCKYCY1CF104Z	41330580900	AA		C	Capacitor (16WV 0.1μF) [C364-C366,C372,C373]
	VCKYCY1CF104Z	41330580900	AA		C	Capacitor (16WV 0.1μF) [C375-C379,C381,C386]
VCKYCY1CF104Z	41330580900	AA		C	Capacitor (16WV 0.1μF) [C387,C393-C398,C406-C410]	
104	VCKYCY1HB102K	41330581200	AA		C	Capacitor (50WV 1000pF) [C120,C121,C129,C138,C139,C145,C147,C148]
	VCKYCY1HB102K	41330581200	AA		C	Capacitor (50WV 1000pF) [C150,C151,C153-C156]
	VCKYCY1HB102K	41330581200	AA		C	Capacitor (50WV 1000pF) [C162,C165,C173,C176,C182,C185,C186]
	VCKYCY1HB102K	41330581200	AA		C	Capacitor (50WV 1000pF) [C187,C193,C201,C202,C212,C265,C269]
	VCKYCY1HB102K	41330581200	AA		C	Capacitor (50WV 1000pF) [C283,C289,C290,C296,C304,C305,C308]
	VCKYCY1HB102K	41330581200	AA		C	Capacitor (50WV 1000pF) [C316,C322,C327,C331,C340,C355,C362,C363]
	VCKYCY1HB102K	41330581200	AA		C	Capacitor (50WV 1000pF) [C374,C382-C385,C388]
105	VCKYCY1HB222K	41330581400	AA		C	Capacitor (50WV 2200pF) [C115,C341,C342,C343]
106	VCKYCY1EB223K	41330581000	AA		C	Capacitor (25WV 0.022μF) [C128,C166,C170,C177,C188]
	VCKYCY1EB223K	41330581000	AA		C	Capacitor (25WV 0.022μF) [C196,C302,C320,C344,C356]
107	VCKYCY1HB471K	41330581700	AB		C	Capacitor (50WV 470pF) [C297,C298]
108	VCKYTW1HB104K	41330582500	AC		C	Capacitor (50WV 0.1μF) [C116]
109	VCEAGA1CW106M	41330578700	AA		C	Capacitor (16WV 10μF) [C9,C12,C13,C15]
110	VCEAGA1CW107M	41330578800	AC		C	Capacitor (100μF/16V) [C8]
111	VCEAGA1CW226M	41330578900	AB		C	Capacitor (16WV 22μF) [C6,C11]
112	VCEAGA1CW476M	41330579000	AB		C	Capacitor (16WV 47μF) [C2,C5,C17]
113	VCEAGA1EW106M	41330579100	AA		C	Capacitor (25WV 10μF) [C19,C18]
114	VCEAGA1EW476M	41330579200	AA		C	Capacitor (25WV 47μF) [C3,C14]
115	VCEAGA1HW474M	41330579300	AB		C	Capacitor (50WV 0.47μF) [C4]
116	VCEAGA1VW106M	41330579400	AA		C	Capacitor (35WV 10μF) [C7]
117	VCEAGA1VW226M	41330579500	AC		C	Capacitor (35WV 22μF) [C1]
118	VCEAGA1VW476M	41330579700	AB		C	Capacitor (35WV 47μF) [C16]
119	VS2SA1036KQRC	41330603600	AB		B	Transistor (2SA1036K) [Q102,Q103]
120	VSDTA143XK/-1	41330604300	AB		B	Transistor (DTA143XKA) [Q104]
121	VSDTC114EKA-1	41330604600	AC		B	Transistor (DTC114EKA) [Q101]
122	VS2SD1853-/-1	41330604000	AC		B	Transistor (2SD1853) [Q1]
124	RH-DZ0016FCZZ	41330566500	AB		B	Diode (MA700) [D16]
125	VHDDAN202U/-1	41330583700	AB		B	Diode (DAN202U) [D1,D13,D14,D17,D21,D22,D24]
	VHDDAN202U/-1	41330583700	AB		B	Diode (DAN202U) [D26,D29,D31,D33,D35,D38]
126	VHDDAP202U/-1	41330583900	AB		B	Diode (DAP202U) [D2,D7,D8,D15,D19,D20]
	VHDDAP202U/-1	41330583900	AB		B	Diode (DAP202U) [D27,D28,D30,D32,D36,D37]
127	VHDDA204K/-1	41330583600	AC		B	Diode (DA204K) [D102,D105,D106,D107,D109,D110]
128	VHDDSS133//1	41330584000	AA		B	Diode (DSS133) [D3,D4,D5,D6,D9]
	VHDDSS133//1	41330584000	AA		B	Diode (DSS133) [D10,D12,D18,D25,D34]
129	VHD1N4005E/-1	41330583300	AB		B	Diode (1N4005) [D11]
130	VHEMTZJ22B/-1	41330584500	AA		B	Zener diode (MTZJ22B) [D23]
131	RCiLZ0004QSZZ	41330564100	AE		C	Coil (NFM839R02C470R101) [NF2,NF1]
132	RCiLZ0003QSZZ	41330564000	AC		C	Coil (HF50ACC201209) [L7,L8,L10,L13,L14,L15]
133	RFiLZ0004QSZZ	41330566300	AM		C	Filter (ZJSR5101-223) [L16,L17,L19]
134	VHViCPN38//1	41330592700	AF		B	IC protector (ICPN38) [CP1,CP2]
135	RRLYD342CQCZ	41330569000	AM		B	Relay (RSB-24) [RY1,RY2]
136	VH iSLA7027MU/	41330590200	AQ		B	IC (SLA7027MU) [IC12]
137	RCiLZ1032CZZ	41330564300	AD		C	Coil (SBO-02SAN) [L1-L6,L9,L11,L12,L18,L20]
	(Unit)					
901	CPWBX0038QS45	41330505800	CA	N	E	MCU PWB (AR-151)

30 MCU PWB(AR-122)

NO.	PARTS CODE	OEM CODE	PRICE RANK	NEW MARK	PART RANK	DESCRIPTION	
1	QCNCM0038QSZZ	41330558700	AH		C	Connector	[CN108]
2	QCNCM0923FC10	41330559100	AE		C	Connector (10Pin)	[CN112]
3	QCNCM0923FC18	41330559300	AF		C	Connector (18pin)	[CN119]
4	QCNCM0923FC24	41330559400	AF		C	Connector (24pin)	[CN101]
5	QCNCM1005MCZZ	41330559500	AB		C	Connector (2pin)	[CN105]
6	QCNCM1069AC0D	41330559600	AC		C	Connector (4pin)	[CN103]
7	QCNCM1119LC0E	41330559800	AC		C	Connector (5pin)	[CN109]
8	QCNCM2401SC0C	41330559900	AB		C	Connector (3pin)	[CN111]
9	QCNCM2401SC0E	41330560000	AC		C	Connector (5pin)	[CN110]
10	QCNCM2401SC0F	41330560100	AB		C	Connector (6pin)	[CN117]
11	QCNCM7014SC0C	41330560200	AA		C	Connector (3pin)	[CN104,CN118,CN125]
12	QCNCM7014SC0D	41330560300	AB		C	Connector (4pin)	[CN107]
13	QCNCM7014SC0E	41330560400	AB		C	Connector (5pin)	[CN120]
14	QCNCP0340QCZZ	41330560600	AC		C	Connector	[CN122]
15	QCNCW0015QSZZ	41330560700	AE		C	Connector (5pin)	[CN122]
16	QCNCW0024QSZZ	41330560800	AF		C	Connector (32pin)	[CN124]
17	QCNCW1124LC0D	41330561300	AB		C	Connector (4pin)	[CN121]
18	QCNCW1124LC0H	41330561400	AC		C	Connector (08FE-BT-VK-N)	[CN113]
19	QCNCW1124LC1H	41330561500	AD		C	Connector (18pin)	[CN116]
20	QCNCW1124LC2F	41330561600	AD		C	Connector (26FE-BT-VK-N)(26pin)	[CN114]
21	QSOCZ0002GCZZ	41330562700	AD		C	IC socket (40pin)	[IC113]
22	QSOCZ6408ACZZ	41330563100	AB		C	8P DIP socket	[IC105]
23	RCiLZ0003QSZZ	41330564000	AC		C	Coil (HF50ACC201209)	[L108,L109,L112,L114,L115,L116]
24	RCiLZ0004QSZZ	41330564100	AE		C	Coil (NFM839R02C470R101)	[NF100,NF101]
25	RCRSZ0001QSZZ	41330565300	AG		B	Crystal (19.6608MHZ)	[X100]
26	RCRSZ0003QSZZ	41330565400	AP		B	Crystal (22.000MHZ)	[X102]
27	RCRSZ0011QSZZ	41330565500	AP		B	Crystal (13.9867MHZ)	[X101]
28	RFiLZ0004QSZZ	41330566300	AM		C	Filter (ZJSR5101-223)	[L100,L101,L102,L103,L104,L105,L106]
	RFiLZ0004QSZZ	41330566300	AM		C	Filter (ZJSR5101-223)	[L107,L110,L111,L113]
29	RH-DZ0016FCZZ	41330566500	AB		B	Diode (MA700)	[D109]
30	RMP TW4100QC J J	41330567100	AA		B	Block resistor (10Ω×4)	[BR114,BR125,BR128,BR130,BR161,BR167,BR171,BR172]
31	RMP TW4102QC J J	41330567200	AB		B	Block resistor (1.0KΩ×4)	[BR113,BR124,BR150]
	RMP TW4203QC J J	41330567400	AA		B	Block resistor (20KΩ×4 1/32W ±5%)	[BR100,BR101,BR102,BR103,BR104,BR105]
	RMP TW4203QC J J	41330567400	AA		B	Block resistor (20KΩ×4 1/32W ±5%)	[BR106,BR107,BR108,BR109,BR110,BR111,BR112,BR115]
	RMP TW4203QC J J	41330567400	AA		B	Block resistor (20KΩ×4 1/32W ±5%)	[BR116,BR117,BR122,BR123,BR129,BR131,BR136,BR137]
	RMP TW4203QC J J	41330567400	AA		B	Block resistor (20KΩ×4 1/32W ±5%)	[BR138,BR139,BR140,BR141,BR142,BR143,BR144]
	RMP TW4203QC J J	41330567400	AA		B	Block resistor (20KΩ×4 1/32W ±5%)	[BR145,BR146,BR147,BR148,BR149,BR151]
	RMP TW4203QC J J	41330567400	AA		B	Block resistor (20KΩ×4 1/32W ±5%)	[BR155,BR156,BR162,BR168,BR169,BR170]
33	RMP TW4300QC J J	41330567900	AA		B	Block resistor (30Ω×4 1/32W ±5%)	[BR160,BR166]
	RMP TW4470QC J J	41330568100	AB		B	Block resistor (47Ω×4 1/32W ±5%)	[BR118,BR119,BR120,BR121,BR126,BR127]
34	RMP TW4470QC J J	41330568100	AB		B	Block resistor (47Ω×4 1/32W ±5%)	[BR132,BR133,BR134,BR135,BR152,BR153,BR154]
	RMP TW4470QC J J	41330568100	AB		B	Block resistor (47Ω×4 1/32W ±5%)	[BR157,BR158,BR159,BR163,BR164,BR165]
35	TLABZ3405FCZZ	41330575300	AB		D	Version label	
	VCCCCY1HH101J	41330576300	AA		C	Capacitor (1608Type/100pF/CH)	[C229,C242,C275,C276,C277,C278,C283]
	VCCCCY1HH101J	41330576300	AA		C	Capacitor (1608Type/100pF/CH)	[C297,C304,C305,C306,C307,C308,C309]
	VCCCCY1HH101J	41330576300	AA		C	Capacitor (1608Type/100pF/CH)	[C310,C313,C319,C338,C341,C342,C343]
	VCCCCY1HH101J	41330576300	AA		C	Capacitor (1608Type/100pF/CH)	[C344,C345,C355,C356,C357,C360,C361,C385]
37	VCCCCY1HH120J	41330576400	AA		C	Capacitor (50WV 12pF)	[C365,C325]
	VCCCCY1HH180J	41330576600	AA		C	Capacitor (50WV 18pF)	[C201,C253,C254,C255,C256,C279,C280,C281]
	VCCCCY1HH180J	41330576600	AA		C	Capacitor (50WV 18pF)	[C282,C334,C335,C386,C387,C388,C400,C401,C402]
39	VCCCCY1HH330J	41330576900	AA		C	Capacitor (50WV 33pF)	[C269,C303,C315,C336,C408,C409]
	VCCCCY1HH330J	41330576900	AA		C	Capacitor (50WV 33pF)	[C410,C411,C427,C432,C433,C440]
	VCCCCY1HH470J	41330577000	AA		C	Capacitor (50WV 47PF)	[C202,C238,C239,C243,C262,C263,C264]
	VCCCCY1HH470J	41330577000	AA		C	Capacitor (50WV 47PF)	[C272,C273,C274,C301,C302,C329,C330]
	VCCCCY1HH470J	41330577000	AA		C	Capacitor (50WV 47PF)	[C340,C347,C384,C431]
41	VCEAGA1CW106M	41330578700	AA		C	Capacitor (16WV 10μF)	[C105,C110,C111,C116]
42	VCEAGA1CW107M	41330578800	AC		C	Capacitor (100μF/16V)	[C103]
43	VCEAGA1CW226M	41330578900	AB		C	Capacitor (16WV 22μF)	[C101,C109]
44	VCEAGA1CW476M	41330579000	AB		C	Capacitor (16WV 47μF)	[C119]
45	VCEAGA1EW106M	41330579100	AA		C	Capacitor (25WV 10μF)	[C120,C118]
46	VCEAGA1EW476M	41330579200	AA		C	Capacitor (25WV 47μF)	[C112]

30 MCU PWB(AR-122)

NO.	PARTS CODE	OEM CODE	PRICE RANK	NEW MARK	PART RANK	DESCRIPTION
47	VCEAGA1HW474M	41330579300	AB		C	Capacitor (50WV 0.47μF) [C100]
48	VCEAGA1VW106M	41330579400	AA		C	Capacitor (35WV 10μF) [C104]
49	VCEAGA1VW226M	41330579500	AC		C	Capacitor (35WV 22μF) [C102]
50	VCEAGA1VW476M	41330579700	AB		C	Capacitor (35WV 47μF) [C117]
51	VCKYCY1CF104Z	41330580900	AA		C	Capacitor (16WV 0.1μF) [C106,C108,C113,C114,C115,C203,C206]
	VCKYCY1CF104Z	41330580900	AA		C	Capacitor (16WV 0.1μF) [C212,C213,C216,C224,C230,C244,C248]
	VCKYCY1CF104Z	41330580900	AA		C	Capacitor (16WV 0.1μF) [C252,C288,C289,C290,C291,C293,C294]
	VCKYCY1CF104Z	41330580900	AA		C	Capacitor (16WV 0.1μF) [C295,C296,C299,C300,C311,C312,C314]
	VCKYCY1CF104Z	41330580900	AA		C	Capacitor (16WV 0.1μF) [C316,C317,C318,C320,C321,C322,C323]
	VCKYCY1CF104Z	41330580900	AA		C	Capacitor (16WV 0.1μF) [C326,C327,C328,C332,C337,C346,C348]
	VCKYCY1CF104Z	41330580900	AA		C	Capacitor (16WV 0.1μF) [C349,C350,C351,C352,C354,C363,C372]
	VCKYCY1CF104Z	41330580900	AA		C	Capacitor (16WV 0.1μF) [C380,C389,C394,C397,C398,C399,C412]
	VCKYCY1CF104Z	41330580900	AA		C	Capacitor (16WV 0.1μF) [C417,C419,C420,C434,C435,C436,C438]
	VCKYCY1CF104Z	41330580900	AA		C	Capacitor (16WV 0.1μF) [C441,C442,C443,C444,C446,C205,C211]
	VCKYCY1CF104Z	41330580900	AA		C	Capacitor (16WV 0.1μF) [C218,C227,C221,C233,C251,C265,C287]
	VCKYCY1CF104Z	41330580900	AA		C	Capacitor (16WV 0.1μF) [C286,C285,C298,C292,C324,C331,C382]
	VCKYCY1CF104Z	41330580900	AA		C	Capacitor (16WV 0.1μF) [C369,C375,C374,C373,C381,C390,C404]
	VCKYCY1CF104Z	41330580900	AA		C	Capacitor (16WV 0.1μF) [C407,C406,C405,C426,C425,C430,C445]
52	VCKYCY1EB223K	41330581000	AA		C	Capacitor (25WV 0.022μF) [C215,C235,C240,C241,C249,C257,C362,C379,C413,C421]
53	VCKYCY1HB102K	41330581200	AA		C	Capacitor (50WV 1000pF) [C207,C217,C219,C225,C234,C237,C245]
	VCKYCY1HB102K	41330581200	AA		C	Capacitor (50WV 1000pF) [C250,C258,C259,C260,C261,C267,C270]
	VCKYCY1HB102K	41330581200	AA		C	Capacitor (50WV 1000pF) [C271,C333,C339,C353,C358,C359,C368]
	VCKYCY1HB102K	41330581200	AA		C	Capacitor (50WV 1000pF) [C370,C371,C378,C383,C391,C393,C403]
	VCKYCY1HB102K	41330581200	AA		C	Capacitor (50WV 1000pF) [C418,C422,C424,C429,C437,C228]
54	VCKYCY1HB222K	41330581400	AA		C	Capacitor (50WV 2200pF) [C204,C414,C415,C416]
55	VCKYCY1HB471K	41330581700	AB		C	Capacitor (50WV 470pF) [C366,C367]
56	VCKYTW1HB104K	41330582500	AC		C	Capacitor (50WV 0.1μF) [C214]
57	VCQYNA1HM104K	41330582700	AB		C	Capacitor (0.1μF/50V) [C107]
58	VHD1N4005E/-1	41330583300	AB		B	Diode (1N4005) [D102]
59	VHDDA204K//--1	41330583600	AC		B	Diode (DA204K) [D200,D201,D202,D203,D204,D205,D206,D207]
60	VHDDAN202U/-1	41330583700	AB		B	Diode (DAN202U) [D111,D114,D115,D116,D118,D121,D123]
61	VHDDAP202U/-1	41330583900	AB		B	Diode (DAP202U) [D108,D112,D113,D119,D120,D122]
62	VHDDSS133//--1	41330584000	AA		B	Diode (1SS133) [D100,D101,D103,D104,D105,D106,D107,D110,D117]
63	VHi74VHC08/-1	41330585900	AE		B	IC (74VHC08) [IC208]
64	VHiH8S/2350FP	41330586800	AY		B	CPU (H8S/2350FP) [IC108]
65	VHiHG73C025FD	41330587000	BE		B	IC (HG73C025FD) [IC109]
66	VHiLM358PS/-S	41330588000	AC		B	IC (LM358PS) [IC207]
67	VHiM24C02WBN6	41330588500	AG		B	IC (M24C02WBN6) [IC113]
68	VHiM51953BL-1	41330588600	AF		B	IC (M51953BL) [IC103]
69	VHiM66236FP-1	41330588700	AT		B	IC (M66236FP) [IC204]
70	VHiMX27C2048D	41330589000	AY		B	IC (MX27C2048D) [IC105]
71	VHiNJM2903M/-	41330589300	AD		B	IC (NJM2903M) [IC200]
72	VHiNJM3414AM1	41330589400	AF		B	IC (NJM3414A) [IC206]
73	VHiSLA7027MU/	41330590200	AQ		B	IC (SLA7027MU) [IC110]
74	VHiSN74LS07NS	41330590300	AF		B	IC (SN74LS07NS) [IC202,IC205]
75	VHiTA7291S/-1	41330590400	AF		B	IC (TA7291S) [IC100]
76	VHiTC74HC14FN	41330590500	AH		B	IC (TC74HC14FN) [IC209]
77	VHiTC74HC151F	41330590600	AG		B	IC (TC74H151F) [IC201,IC203]
78	VHiTD62003AP1	41330590900	AG		B	IC (TD62003AP1) [IC101,IC102]
79	VHiTD62503F/-	41330591100	AG		B	IC (TD62503) [IC107]
80	VHiS61C25612	41330587300	AN		B	IC (IS61C25612) [IC104,IC106,IC111,IC112]
81	VHVCPN38//--1	41330592700	AF		B	IC protector (ICPN38) [CP101]
82	VRNHT2EK2401F	41330594100	AA		C	Resistor (1/4W 2.4KΩ ±1%) [R102]
84	VRS-CY1JD100J	41330594300	AA		C	Resistor (1/16W 10Ω ±5%) [R241,R266,R267,R274,R285,R299,R333]
85	VRS-CY1JD101J	41330594400	AA		C	Resistor (1/16W 100Ω ±5%) [R280,R303,R328]
86	VRS-CY1JD102F	41330594500	AA		C	Resistor (1/16W 1KΩ ±1%) [R223]
87	VRS-CY1JD102J	41330594600	AA		C	Resistor (1/16W 1.0KΩ ±5%) [R209,R214,R218,R239,R248,R249,R284]

30 MCU PWB(AR-122)

NO.	PARTS CODE	OEM CODE	PRICE RANK	NEW MARK	PART RANK	DESCRIPTION
87	VRS-CY1JD102J	41330594600	AA		C	Resistor (1/16W 1.0KΩ ±5%) [R286,R296,R304,R327,R330,R331]
88	VRS-CY1JD103F	41330594700	AB		C	Resistor (1/16W 10KΩ ±1%) [R222,R232,R322,R323]
89	VRS-CY1JD103J	41330594800	AA		C	Resistor (1/16W 10KΩ ±5%) [R208,R231,R234,R235,R236,R238,R244,R276]
	VRS-CY1JD103J	41330594800	AA		C	Resistor (1/16W 10KΩ ±5%) [R287,R294,R312,R313,R320,R324,R325]
90	VRS-CY1JD105F	41330595000	AA		C	Resistor (1/16W 1.0MΩ ±1%) [R219]
91	VRS-CY1JD122J	41330595400	AA		C	Resistor (1/16W 1.2KΩ ±5%) [R226]
92	VRS-CY1JD152J	41330595600	AA		C	Resistor (1/16W 1.5KΩ ±5%) [R253,R254,R255]
93	VRS-CY1JD202J	41330595900	AA		C	Resistor (1/16W 2.0KΩ ±5%) [R300]
94	VRS-CY1JD203J	41330596000	AA		C	Resistor (1/16W 20KΩ ±5%) [R215,R228,R229,R233,R237,R242]
	VRS-CY1JD203J	41330596000	AA		C	Resistor (1/16W 20KΩ ±5%) [R245,R250,R251,R252,R258,R259,R260,R262]
	VRS-CY1JD203J	41330596000	AA		C	Resistor (1/16W 20KΩ ±5%) [R263,R268,R269,R271,R272,R275,R277]
	VRS-CY1JD203J	41330596000	AA		C	Resistor (1/16W 20KΩ ±5%) [R283,R288,R289,R295,R301,R317,R329]
95	VRS-CY1JD205J	41330596100	AA		C	Resistor (1/16W 2.0MΩ ±5%) [R315,R316]
96	VRS-CY1JD242J	41330596700	AA		C	Resistor (1/16W 2.4KΩ ±5%) [R319,R318]
97	VRS-CY1JD301J	41330596800	AA		C	Resistor (1/16W 300Ω ±5%) [R246,R247,R290,R307]
98	VRS-CY1JD331J	41330597000	AA		C	Resistor (1/16W 330Ω ±5%) [R281]
99	VRS-CY1JD332J	41330597100	AA		C	Resistor (1/16W 3.3KΩ ±5%) [R261]
100	VRS-CY1JD333J	41330597200	AA		C	Resistor (1/16W 33KΩ ±5%) [R207]
101	VRS-CY1JD470J	41330597400	AA		C	Resistor (1/16W 47Ω ±5%) [R240,R243,R257,R264,R270,R273,R278]
	VRS-CY1JD470J	41330597400	AA		C	Resistor (1/16W 47Ω ±5%) [R279,R292,R293,R298,R302,R305,R306,R314]
102	VRS-CY1JD472J	41330597500	AA		C	Resistor (1/16W 4.7KΩ ±5%) [R205,R221,R297]
103	VRS-CY1JD473J	41330597600	AA		C	Resistor (1/16W 47KΩ ±5%) [R204,R206,R212,R213,R310,R311]
104	VRS-CY1JD512J	41330597800	AA		C	Resistor (1/16W 5.1KΩ ±5%) [R332]
105	VRS-CY1JD621F	41330598000	AA		C	Resistor (1/16W 620Ω ±1%) [R230]
106	VRS-CY1JD621J	41330598100	AA		C	Resistor (1/16W 620Ω ±5%) [R291]
107	VRS-CY1JD680J	41330598300	AA		C	Resistor (1/16W 68Ω ±5%) [R265]
108	VRS-CY1JD751J	41330598500	AA		C	Resistor (1/16W 750Ω ±5%) [R309]
109	VRS-CY1JD752J	41330598600	AA		C	Resistor (1/16W 7.5KΩ ±5%) [R203,R220,R308]
110	VRS-CY1JD912J	41330599000	AA		C	Resistor (1/16W 9.1KΩ ±5%) [R210]
111	VRS-HT3DA102J	41330599200	AA		C	Resistor (2W 1.0KΩ ±5%) [R100]
112	VRS-HT3DA1R0J	41330599300	AB		C	Resistor (2W 1.0Ω ±5%) [R103,R104]
113	VRS-HT3DAR22J	41330599400	AA		C	Resistor (2W 0.22Ω ±5%) [R101]
114	VRS-TP2BD121J	41330599800	AA		C	Resistor (1/8W 120Ω ±5%) [R256]
115	VRS-TP2BD151J	41330599900	AA		C	Resistor (1/8W 150Ω ±5%) [R224,R227,R321,R326]
116	VRS-TP2BD221J	41330600000	AB		C	Resistor (1/8W 220Ω ±5%) [R225]
117	VRS-TP2BD241J	41330600100	AA		C	Resistor (1/8W 240Ω ±5%) [R200,R201]
118	VRS-TP2BD432J	41330600200	AA		C	Resistor (1/8W 4.3KΩ ±5%) [R217]
119	VRS-TP2BD472J	41330600300	AA		C	Resistor (1/8W 4.7KΩ ±5%) [R202,R211]
120	VS2SA1036KQRC	41330603600	AB		B	Transistor (2SA1036KQRC) [Q200,Q202]
121	VSDTA143XK/-1	41330604300	AB		B	Transistor (DTA143XK) [Q203]
122	VSDTC114EKA-1	41330604600	AC		B	Transistor (DTC114EKA) [Q201]
123	VHiLH532C0Z-1	41330587800	AP		B	Mask rom
	(Unit)					
901	CPWBX0072QSEK	41330505700	CA	N	E	MCU PWB (AR-122)

31 GDI PWB(AR-122)

NO.	PARTS CODE	OEM CODE	PRICE RANK	NEW MARK	PART RANK	DESCRIPTION
1	QCNCW0946FCZZ	41330561100	AH		C	Connector (36pin) [CN501]
2	QCNCW1124LC2F	41330561600	AD		C	Connector (26pin) [CN502]
3	RC-K1E104HCZZ	41330563800	AB		C	Capacitor (25WV 0.1μF) [C501-503]
4	VCCCTV1HH101J	41330577400	AA		C	Capacitor (50WV 100PF) [C601-608,614-618]
5	VCCCTV1HH330J	41330577600	AA		C	Capacitor (50WV 33PF) [C610,611]
6	VCCCTV1HH561J	41330577800	AA		C	Capacitor (50WV 560PF) [C612]
7	VCEAGU1CW476M	41330579900	AB		C	Capacitor (16WV 47μF) [C504]
8	VCKYTV1HB102K	41330582300	AA		C	Capacitor (50WV 1000PF) [C609]
9	VCKYTV1HB223K	41330582400	AA		C	Capacitor (50WV 0.022μF) [C613]
10	VHDDSS133// -1	41330584000	AA		B	Diode (DSS133) [D501-517]
11	VHi74LS244NS1	41330585500	AH		B	IC (74LS244NS1) [IC602,603]
12	VHi74LS245NS1	41330585600	AF		B	IC (74LS245NS1) [IC601]
13	VRD-HT2HY101J	41330593500	AA		C	Resistor (1/2W 100Ω ±5%) [R501]
14	VRS-TS2AD122J	41330601100	AA		C	Resistor (1/10W 1.2KΩ ±5%) [R618-629]
15	VRS-TS2AD220J	41330601600	AA		C	Resistor (1/10W 22Ω ±5%) [R601-617]
16	VRS-TS2AD332J	41330601900	AA		C	Resistor (1/10W 3.3KΩ ±5%) [R630]
	(Unit)					
901	CPWBF0012QS51	41330504200	BA		E	GDI PWB (AR-122)

32 DC power supply PWB(AR-151)

NO.	PARTS CODE	OEM CODE	PRICE RANK	NEW MARK	PART RANK	DESCRIPTION
1	DTiP-0693PAZZ		AD		C	Chip lead (Green)
2	DTiP-0713PAZZ		AD		C	Chip lead (White) [CN2]
3	DTiP-0714PAZZ		AD		C	Chip lead (Black) [CN5]
4	LANGK8132PAZZ		AC		C	Angle (TO-3P)
5	LX-BZ0241PAZZ		AA		C	Screw (M3+S8)
6	LX-BZ0241PAZZ		AA		C	Screw (M3+S8)
7	LX-BZ0254PAZZ		AB		C	Screw (3M+6S)
8	LX-BZ0256PAZZ		AB		C	Screw (M3+S12)
9	LX-BZ0273PAZZ		AB		C	Screw (M3x6)
10	LX-BZ0422PAZZ		AB		C	Screw (M3+10(W,SW))
11	PCOV51113PAZZ		AQ		C	Chassis
12	PRDAR0534PAZZ		AE		C	Heat sink (H=30) [TRC1,IC102]
13	PRDAR0564PAZZ		AP		C	Heat sink [Q1,101,IC101]
14	PZET00070PAZZ		AE		C	Silicon tube (T45-13.5-L30) [Q1]
△	QFS-C0048PAZZ	41330610400	AE		A	Fuse (3.15A) [F3]
△	QFS-C0055PAZZ	41330610500	AF		A	Fuse (10A) [F1,2]
17	QFSHA0024PAZZ		AC		C	Fuse holder [F3]
18	QFSHA0025PAZZ		AC		C	Fuse holder [F1,2]
23	QPLGZ0557PAZZ		AD		C	Plug (B02P-NV) [CN10]
24	QPLGZ0560PAZZ		AF		C	Plug (B04P-XL(Red)) [CN3]
25	QPLGZ0598PAZZ		AG		C	Plug (B16B-PHDSS-B) [CN1]
27	QS0CA0027PAZZ		AG		C	AC inlet
28	QSW-C0045PAZZ		AK		B	AC switch [SW1]
29	RC-EZ0421PAZZ		AP		C	Capacitor (MXR 100MF/400V) [C10,18]
30	RC-EZ0502PAZZ		AE		C	Capacitor (PS 2200MF/10V) [C109]
31	RC-EZ0574PAZZ		AC		C	Capacitor ((YK)100MF/16V) [C106]
32	RC-EZ0577PAZZ		AB		C	Capacitor ((YK)1MF/50V) [C107]
35	RC-EZ0580PAZZ		AF		C	Capacitor ((ZL)470MF/35V) [C102,104]
36	RC-FZ159DPAZZ		AD		C	Capacitor (0.1MF/250V(X)) [C15]
37	RC-FZ160DPAZZ		AE		C	Capacitor (0.22MF/250V(X)) [C1,4]
39	RC-KZ4012PAZZ		AD		C	Capacitor (ECKD3A332KB) [C101]
42	RC-KZ4020PAZZ		AC		C	Capacitor (100PF/1KV) [C11]
43	RCORF0071PAZZ		AB		C	Core [BJ101]
44	RC-QZ0222PAZZ		AD		C	Capacitor ((MMW)102P/630V) [C9]
45	RC-QZ0230PAZZ		AE		C	Capacitor (ECKNNA222ME) [C2,3,5,6,7]
46	RC-QZA102PARK		AC		C	Capacitor (102PF/K/50V) [C17]
47	RC-QZA103PARK		AC		C	Capacitor (103PF/K/50V) [C12]
48	RC-QZA104PARK		AC		C	Capacitor (104PF/K/50V) [C13,16,111,112]
49	RC-QZA223PARK		AC		C	Capacitor (223PF/K/50V) [C110]
51	RC-QZA471PARK		AB		C	Capacitor (471PF/K/50V) [C113,114]
52	RC-QZA472PARK		AC		C	Capacitor (472PF/K/50V) [C14]
54	RH-iX0275PAZZ		AP		B	IC (TL494CN) [IC104]
55	RH-iX1783PAZZ		AF		B	IC (1CP-N25) [ICP201]
56	RH-iX1950PAZZ		AF		B	IC (HA17431PA) [IC1,103]
57	RH-iX2101PAZZ		AL		B	IC (PQ12RF1) [IC101]
58	RH-iX2336PAZZ		AN		B	IC (PQ3RD23) [IC102]
59	RH-PX0285PAZZ		AF		B	Photo coupler (PC123Y(2)) [PC1,2]
60	RR-DZ0028PAZZ		AA		C	Resistor (1/4W-100 ±5%) [R23]
61	RR-DZ0029PAZZ		AA		C	Resistor (1/4W-100 ±5%) [R24]
62	RR-FZF3HCR33K		AG		C	Resistor ((BPR)5W 0.33 ±5%) [R112]
68	RRLYZ0106PAZZ		AK		B	Relay (SDT-S-124LMR) [RY1]
69	RR-SN1001PA6F		AA		C	Resistor ((SN)1/6S 1.00K ±1%) [R136]
70	RR-SN1372PA6F		AA		C	Resistor (1/6W 1372 ±1%) [R10]
71	RR-SN2101PA6D		AB		C	Resistor ((SN) 1/6S 2.1KD) [R113]
72	RR-SN2401PA6D		AB		C	Resistor ((SN) 1/6S 2.4KD) [R110]
73	RR-SN5101PA6F		AA		C	Resistor ((SN)1/6S 5.1K ±1%) [R133]
74	RR-SZ0072PAZZ		AB		C	Resistor (RSI-2S 22 ±5%) [R7]
75	RR-SZ0073PAZZ		AB		C	Resistor (RSI-2S 330 ±5%) [R9]
76	RR-XZ0051PAZZ		AC		C	Resistor (RF16S-4.7 ±5%) [R15]
77	RR-XZ0056PAZZ		AC		C	Resistor (FUSE 1/6W-10 ±5%) [R104,119]
78	RR-XZ0078PAZZ		AC		C	Resistor (FUSE-R 1/6W-33 ±5%) [R103]
81	RTRNZ0400PACT		AD		B	Drum coil [L101]
82	RTRNZ0484PANH		AN		B	Choke coil [L102]
△	RTRNZ0499PACT		AL		B	Line filter [L4]
△	RTRNZ0617PANT		AR		B	Line filter (DRB25) [L1]
△	RTRNZ0618PANT		AP		B	Line filter (DR) [L2,3]
△	RTRNZ0652PACD		AW		B	Transformer (Z0652) [T1]
88	RVR-M0385PAZZ		AD		B	Variable resistor (EVMAASA00 5K ±5%) [VR101]
94	VCEAFU1EM337M		AE		C	Capacitor (YXF 330MF/25V) [C103]
95	VCEAFU1HM105M		AC		C	Capacitor (YXF 1MF/50V) [C19]
96	VCEAFU1VM336M		AC		C	Capacitor (YXF 33MF/35V) [C108]
97	VCEAFV1VM108M		AF		C	Capacitor (YXF 1000MF/35V) [C105]
98	VHD1N4005// -1		AC		B	Diode (1N4005-G23) [D1,2]
99	VHD1SS244// -1		AC		B	Diode (1SS244) [D4,104]
100	VHD1SS270A// -1		AA		B	Diode (1SS270A) [D6,101,107]
101	VHDD3SBA60// -1		AG		B	Diode (D3SBA60) [DB1]
103	VHDERA2208// -1		AD		B	Diode (ERA22-08) [D3]
104	VHDERA9202// -1		AE		B	Diode (ERA92-02) [D102]
105	VHDYG802C04 -1		AH		B	Diode (YG802C04) [D106]
106	VHDYG902C2// -1		AH		B	Diode (YG902C2) [D103]

32 DC power supply PWB(AR-151)

NO.	PARTS CODE	OEM CODE	PRICE RANK	NEW MARK	PART RANK	DESCRIPTION
107	VHERD16ESB1-1		AC		B	Zener diode (RD16ES B1) [ZD1]
108	VHERD20ESB2-1		AC		B	Zener diode (RD20ES B2) [ZD2]
110	VHERD30ESB1-1		AC		B	Zener diode (RD30ESB1(A)) [ZD101]
111	VHERD39ESB1-1		AC		B	Zener diode (RD39ESB1(A)) [ZD3]
117	VHRS21ME5//--1		AN		B	Zener diode (S21ME5) [PC3]
118	VHSTF321S//--1		AG		B	Thyristor (TF321S) [SCR101]
119	VHSTM1661P/--F		AT		B	Thyristor (TM1661P-L(L)) [TRC1]
120	VHVC471D10A-1		AE		B	Varistor (ENC471D10A) [ZR1]
121	VRD-ST2CD101J		AA		C	Resistor ((ST)1/6S-100 ±5%) [R106]
122	VRD-ST2CD103J		AA		C	Resistor ((ST)1/6S-10K ±5%) [R19,20,126]
123	VRD-ST2CD104J		AA		C	Resistor ((ST)1/6S-100K ±5%) [R8,124]
124	VRD-ST2CD105J		AA		C	Resistor ((ST)1/6S-1M ±5%) [R3]
125	VRD-ST2CD122J		AA		C	Resistor ((ST)1/6S-1.2K ±5%) [R130]
127	VRD-ST2CD124J		AB		C	Resistor ((ST)1/6S-120K ±5%) [R129]
128	VRD-ST2CD153J		AA		C	Resistor ((ST)1/6S-15K ±5%) [R12]
129	VRD-ST2CD181J		AA		C	Resistor ((ST)1/6S-180 ±5%) [R114]
131	VRD-ST2CD184J		AB		C	Resistor ((ST)1/6S-180K ±5%) [R16]
132	VRD-ST2CD203J		AB		C	Resistor ((ST)1/6S-180K ±5%) [R108]
133	VRD-ST2CD221J		AA		C	Resistor ((ST)1/6S-220 ±5%) [R105]
134	VRD-ST2CD223J		AA		C	Resistor ((ST)1/6S-22K ±5%) [R11,132]
135	VRD-ST2CD224J		AB		C	Resistor ((ST)1/6S-220K ±5%) [R17,18,30]
136	VRD-ST2CD273J		AA		C	Resistor ((ST)1/6S-27K ±5%) [R19,102]
137	VRD-ST2CD274J		AB		C	Resistor ((ST)1/6S-270K ±5%) [R245]
138	VRD-ST2CD330J		AA		C	Resistor ((ST)1/6S-33 ±5%) [R111]
139	VRD-ST2CD331J		AA		C	Resistor ((ST)1/6S-330 ±5%) [R131]
140	VRD-ST2CD333J		AA		C	Resistor ((ST)1/6S-33K ±5%) [R1,21,115]
141	VRD-ST2CD392J		AB		C	Resistor ((ST)1/6S-3.9K ±5%) [R109]
142	VRD-ST2CD393J		AA		C	Resistor ((ST)1/6S-39K ±5%) [R134]
144	VRD-ST2CD470J		AB		C	Resistor ((ST)1/6S-47 ±5%) [R127]
145	VRD-ST2CD472J		AA		C	Resistor ((ST)1/6S-4.7K ±5%) [R101,116,120,]
146	VRD-ST2CD561J		AA		C	Resistor ((ST)1/6S-560 ±5%) [R117,118]
149	VRD-ST2CD564J		AA		C	Resistor ((ST)1/6S-560K ±5%) [R4]
152	VRD-ST2CD823J		AA		C	Resistor ((ST)1/6S-82K ±5%) [R125]
155	VRD-ST2HF104J		AA		C	Resistor ((ST)1/2S-100K ±5%) [R2]
156	VRS-FT3AD121J		AA		C	Resistor ((FT)1.0W-120 ±5%) [R22]
159	VS2SA673AC/--1		AE		B	Transistor (2SA673AC) [Q102]
160	VS2SB1136S/--1		AM		B	Transistor (2SB1136S) [Q101]
161	VS2SC1213-C1A		AC		B	Transistor (2SC1213C) [Q2,103]
162	VS2SC2785F/--1		AC		B	Transistor (2SC2785-F) [Q105]
164	VS2SK2082//--1		AT		B	Transistor (2SK2082) [Q11]
165	XBPN40P08K00		AA		C	Screw (4P+8B)
166	XBPSD30P06KS0	41330605600	AA		C	Screw (3P+6S)
	(Unit)					
901	CPWBF0039QS34	41330504800	BV		E	DC power supply PWB (AR-151)

33 DC power supply PWB(AR-122)

NO.	PARTS CODE	OEM CODE	PRICE RANK	NEW MARK	PART RANK	DESCRIPTION
1	QFS-C0048PAZZ	41330610400	AE		A	Fuse (3.15A) [F3]
2	QFS-C0055PAZZ	41330610500	AF		A	Fuse (10A) [F1]
3	QPLGZ0430PAZZ		AE		C	Connector (B6-PH-K-S)(6PIN) [CN6]
4	QPLGZ0557PAZZ		AD		C	Connector (B02P-NV) [CN10]
5	QPLGZ0559PAZZ		AG		C	Connector (B14B-PH-DSS) [CN1]
6	QPLGZ0560PAZZ		AF		C	Connector (B04P-XL)(RED) [CN3]
7	RC-EZ0382PAZZ		AR		C	Capacitor (MXR120MF/400V) [C6]
8	RC-FZ137DPAZZ		AE		C	Capacitor (PA 0.1MF/250V) [C16]
9	RC-FZ138DPAZZ		AE		C	Capacitor (PA 0.22MF/250V) [C3,4B]
10	RC-FZ140DPAZZ		AG		C	Capacitor (0.47MF/250V) [C1B]
11	RC-KZ4014PAZZ		AC		C	Capacitor (ECKD3A471KBP) [C10]
12	RC-KZ4015PAZZ		AC		C	Capacitor (KBP 2200PF/1KV) [C50]
13	RC-QZ0222PAZZ		AD		C	Capacitor (0.001MF/630V) [C7]
14	RC-QZ0230PAZZ		AE		C	Capacitor (2200PF/250V) [C4,5,11]
15	RC-QZ0232PAZZ		AE		C	Capacitor (4700PF/250V) [C2B,C3B]
16	RC-QZA102PARK		AC		C	Capacitor (102PF/K/50V) [C20]
17	RC-QZA103PARK		AC		C	Capacitor (103PF/K/50V) [C8,22]
18	RC-QZA104PARK		AC		C	Capacitor (104PF/K/50V) [C13,17,21]
19	RC-QZA223PARK		AC		C	Capacitor (223PF/K/50V) [C14]
20	RC-QZA472PARK		AC		C	Capacitor (472PF/K/50V) [C9]
21	RCORF4092PAZZ		AC		C	Core [BJ2,3]
22	RH-iX1950PAZZ		AF		B	IC (HA17431PA) [IC1,2]
23	RH-iX2251PAZZ		AR		B	IC (PQ30RV31) [IC52]
24	RH-iX2257PAZZ		AK		B	IC (BA033T/FP) [IC53]
25	RH-iX2258PAZZ		AH		B	IC (78M12) [IC51]
26	RH-PX0285PAZZ		AF		B	Photo coupler (PC123Y(2)) [PC1,3]
27	RH-PX0308PAZZ		AM		B	Photo thyristor (S21ME3) [PC2]
28	RR-SN1201PA6F		AB		C	Resistor (1/6W 122J) [R25]

33 DC power supply PWB(AR-122)

NO.	PARTS CODE	OEM CODE	PRICE RANK	NEW MARK	PART RANK	DESCRIPTION
29	RR-SN3900PA6F		AB		C	Resistor (1/6W 391J) [R26]
30	RR-SZ0034PAZZ		AC		C	Resistor (2W-22Ω) [R9]
31	RR-SZ0048PAZZ		AC		C	Resistor (RSS2L15 1KΩ) [R69,71,73]
32	RR-SZ0057PAZZ		AC		C	Resistor (2W-330J) [R3]
33	RR-XZ0051PAZZ		AC		C	Resistor (RF16S-4.7J) [R4]
34	RR-XZ0078PAZZ		AC		C	Resistor (FUSE-R 1/6W-33J) [R12]
35	RR-XZ4002PAZZ		AC		C	Resistor (1/4W 121J) [R15,17]
36	RR-XZ4003PAZZ		AC		C	Resistor (1/4W 101J) [R16]
37	RRLYZ0100PAZZ		AN		B	Relay (OMI-SS-124LM) [RY1]
38	RTRNZ0499PACT		AL		B	Line filter (Z0499) [L1,2]
39	RTRNZ0610PACD		AW		B	Transformer (Z0610) [T1]
40	RTRNZ0617PANT		AR		B	Line filter (Z0617) [L1B]
41	RTRNZ0618PANT		AP		B	Line filter (Z0618) [L3]
42	RVR-M0390PAZZ		AD		B	Variable resistor (VR-1K) [VR1]
43	VCEAFU1EM227M		AC		C	Capacitor (YXF 220MF/25V) [C53]
44	VCEAFU1HM105M		AC		C	Capacitor (YXF 1MF/50V) [C55]
45	VCEAFU1VM336M		AC		C	Capacitor (YXF 33MF/35V) [C56-58]
46	VCEAFV1AM228M		AF		C	Capacitor (YXF 220MF/10V) [C54]
47	VCEAFV1VM108M		AF		C	Capacitor (YXF 1000MF/35V) [C51,52]
48	VHD1N4003// -1		AC		B	Diode (1N4003-G23) [D164]
49	VHD1N4005// -1		AC		B	Diode (1N4005-G23) [D5,6]
50	VHD1SS244// -1		AC		B	Diode (1SS244) [D2]
51	VHD1SS270A// -1		AA		B	Diode (1SS270A) [D3,54]
52	VHDD3SBA60// -1		AG		B	Diode (D3SBA60) [DB1]
53	VHDERA2208// -1		AD		B	Diode (ERA22-08) [D1]
54	VHDERA9202// -1		AE		B	Diode (ERA92-02) [D52]
55	VHDYG801C04-1		AG		B	Diode (YG801C04) [D53]
56	VHDYG901C2// -1		AG		B	Diode (YG901C2) [D51]
57	VHERD16ESB1-1		AC		B	Zener diode (RD16ES B1) [ZD1]
58	VHERD20ESB2-1		AC		B	Zener diode (RD20ES B2) [ZD2]
59	VHERD30ESB1-1		AC		B	Zener diode (RD30ESB1(A)) [ZD53]
60	VHH8D13// -1		AK		B	Power thermistor (8D13) [TH1]
61	VHSTF321S// -1		AG		B	Thyristor (TF321S) [SCR51]
62	VHSTM1661P// -F		AT		B	Thyristor (TM1661P-L(L)) [TRC1]
63	VHVC471D10A-1		AE		B	Varistor (C471D10A) [ZR1]
64	VRD-ST2CD103J		AA		C	Resistor (ST1/6S-10KJ) [R29]
65	VRD-ST2CD122J		AA		C	Resistor (ST1/6S-1.2KJ) [R13]
66	VRD-ST2CD123J		AA		C	Resistor (ST1/6S-12KJ) [R5]
67	VRD-ST2CD153J		AA		C	Resistor (ST1/6S-15KJ) [R7]
68	VRD-ST2CD182J		AA		C	Resistor (ST1/6S-1.8KJ) [R24]
69	VRD-ST2CD223J		AA		C	Resistor (ST1/6S-22KJ) [R6,27]
70	VRD-ST2CD224J		AB		C	Resistor (ST1/6S-220KJ) [R18,19]
71	VRD-ST2CD330J		AA		C	Resistor (ST1/6S-33J) [R68]
72	VRD-ST2CD331J		AA		C	Resistor (ST1/6S-330J) [R14]
73	VRD-ST2CD333J		AA		C	Resistor (ST1/6S-33KJ) [R23]
74	VRD-ST2CD472J		AA		C	Resistor (ST1/6S-4.7KJ) [R58]
75	VRD-ST2CD473J		AA		C	Resistor (ST1/6S-47KJ) [R22,28]
76	VRD-ST2CD474J		AA		C	Resistor (ST1/6S-470KJ) [R2B]
77	VRD-ST2CD563J		AB		C	Resistor (ST1/6S-56KJ) [R8]
78	VRD-ST2CD684J		AB		C	Resistor (ST1/6S-680KJ) [R20,21]
79	VRD-ST2CD822J		AA		C	Resistor (ST1/6S-8.2KJ) [R30]
80	VRD-ST2HF104J		AA		C	Resistor (ST1/2S-100KJ) [R2]
81	VS2SC1213-C1A		AC		B	Transistor (2SC1213C) [Q2]
82	VS2SC2785F// -1		AC		B	Transistor (2SC2785-FF) [Q3]
83	VS2SK1944// -1		AS		B	Transistor (2SK1944) [Q1]
	(Unit)					
901	CPWBF0017QS37	41330504700	BU		E	DC power supply PWB (AR-122)

■ Index

PARTS CODE	OEM CODE	NO.	PRICE RANK	NEW MARK	PART RANK
[C]					
CBTN-0004QS07	41330500200	3- 5	AG	N	E
CBTN-0009QS04	41330500300	3- 2	AF	N	E
CCAB-0003QS18	41330500700	1- 1	AR	N	D
CCAB-0003QS19	41330500800	1- 1	AR	N	D
CCASP0001RS54	41330501000	19-901	BN	N	E
CCLEZ0005RS51	41330501100	15- 1	AQ		D
CCOVH0004RS53	41330501200	2-901	BN	N	E
CDAiU0002QS01	41330501300	5- 12	BG		D
"	41330501300	6- 14	BG		D
CDAiU0008RS51	41330501400	6- 7	BC		E
CDRM-0002RS7A	41330501500	22-901	BH		E
CDSKA0009QS31	41330501700	23-100	AL		D
CFiX-0003QS12	41330501900	1- 13	AM	N	D
CFRM-0010RS53	41330502100	16-502	BL	N	E
CGERH0011RS51	41330502400	14- 9	AE		E
CHAi-0028RS51	41330502500	17- 3	BE		C
CHAi-0032RS51	41330502600	17- 2	BE		C
CHLDZ0010RS52	41330502700	4- 18	AU		E
"	41330502700	18-901	AU		E
CHLDZ0019QS31	41330502800	5- 2	BC		E
"	41330502800	8-901	BC		E
CLEVP0016QS01	41330502900	23- 17	AL		C
CPLTM0023QS03	41330503000	16- 25	AG		C
CPLTM0024QS01	41330503100	11- 24	AG		C
CPLTM0025QS01	41330503200	5- 21	AH		C
CPLTM0028QS01	41330503300	8- 13	AH		C
CPLTM0029QS01	41330503400	8- 9	AH		C
CPLTM0038QS02	41330503500	11- 46	AG		C
CPLTM0042QS02	41330503600	14- 20	AY		C
CPLTM0042RS51	41330503700	14-901	BP		E
CPLTM0042RS54	41330503800	14-901	BP		E
CPNLC0002QS0M	41330503900	3- 10	AU	N	D
CPWBF0012QS51	41330504200	12- 41	BA		E
"	41330504200	31-901	BA		E
CPWBF0013QSE1	41330504300	12- 10	BF	N	E
"	41330504300	25-901	BF	N	E
CPWBF0013QSE2	41330504400	12- 10	BM	N	E
"	41330504400	25-901	BM	N	E
CPWBF0014QSE2	41330504500	3- 8	BC	N	E
"	41330504500	24-901	BC	N	E
CPWBF0014QSF2	41330504600	3- 8	BC	N	E
"	41330504600	24-901	BC	N	E
CPWBF0017QS37	41330504700	12- 13	BU		E
"	41330504700	33-901	BU		E
CPWBF0039QS34	41330504800	12- 13	BV		E
"	41330504800	32-901	BV		E
CPWBF1177DS57	41330505100	9- 4	AV		E
"	41330505100	26-901	AV		E
CPWBF1177DS58	41330505200	11- 1	AQ		E
"	41330505200	27-901	AQ		E
CPWBF1177DS59	41330505300	13- 13	AV		E
"	41330505300	28-901	AV		E
CPWBF1177DS5A	41330505400	6- 9	AT		E
CPWBX0038QS45	41330505800	12- 4	CA	N	E
"	41330505800	29-901	CA	N	E
CPWBX0072QSEK	41330505700	12- 4	CA	N	E
"	41330505700	30-901	CA	N	E
CREFL0003QS33	41330505900	5- 3	BQ		E
CRÖLP0015QS01	41330506000	11- 20	AU		C
CSLi-0103FC31	41330506100	8- 7	AF		D
CSÖU-0002RS55	41330506200	16-501	BA	N	E
CSW-M0004RS51	41330506400	15- 4	AW		B
CTHM-0019DS52	41330506500	13- 12	AT		E
CTME-0229FC03	41330506600	13- 11	AG		C
[D]					
DHAi-0034QSZZ	41330506700	26- 1	AQ		C
DHAi-0035QSZZ	41330506800	27- 1	AF		C
DHAi-0036QSZZ	41330506900	28- 1	AQ		C
DHAi-0037QSZ1	41330507000	10- 23	AS		C
"	41330507000	21- 7	AS		C
DHAi-0040QSZZ	41330507100	1- 7	AK		C
"	41330507100	9- 10	AK		C
"	41330507100	21- 4	AK		C
DHAi-0041QSZZ	41330507200	5- 6	AF		C
"	41330507200	6- 3	AF		C
"	41330507200	21- 1	AF		C
DHAi-0042QSZZ	41330507300	6- 5	AK		C
"	41330507300	21- 2	AK		C

PARTS CODE	OEM CODE	NO.	PRICE RANK	NEW MARK	PART RANK
DHAi-0045QSZZ	41330507400	14- 27	AD		C
"	41330507400	21- 5	AD		C
DHAi-0046QSZZ	41330507500	10- 18	AH		C
DHAi-0047QSZZ	41330507600	4- 12	AH		C
DHAi-0048QSZZ	41330507700	10- 19	AG		C
DHAi-0050QSZZ	41330507800	11- 27	AR		C
DHAi-0057QSZZ	41330508100	10- 24	AN		C
"	41330508100	12- 12	AN		C
"	41330508100	21- 8	AN		C
DHAi-0058QSZ1	41330508200	13- 16	AL		C
"	41330508200	21- 10	AL		C
DHAi-0063QSZZ	41330508300	12- 46	AG		C
DHAi-0064QSZZ	41330508400	12- 37	AV		C
"	41330508400	21- 3	AV		C
DHAi-0066QSZZ	41330508500	16- 22	AD		C
DHAi-0155QSZ1	41330508800	7- 2	AT		C
"	41330508800	9- 14	AT		C
DHAi-0163QSZZ	41330509400	12- 37	AS		C
"	41330509400	21- 3	AS		C
DHAi-0164QSZZ	41330509500	11- 56	AE		C
DHAi-0169QSZZ	41330509600	12- 38	AQ		C
DHAi-0170QSZZ	41330509700	21- 9	AS		C
DHAi-0179QSZZ	41330510000	12- 16	AN		C
DTiP-0693PAZZ		32- 1	AD		C
DTiP-0713PAZZ		32- 2	AD		C
DTiP-0714PAZZ		32- 3	AD		C
DUNTK0013QS11	41330510400	7- 4	BT		E
DUNTW0014RS24	41330510500	13-901	BT		E
DWiR-0466CSZZ	41330510600	18- 8	BG		B
[G]					
GCAB-0004QSHZ	41330510700	1- 18	AW	N	D
GCAB-0005QSHZ	41330510800	1- 10	AN	N	D
GCAB-0006QSHZ	41330510900	1- 17	AN	N	D
GCAB-0007QSHZ	41330511000	4- 1	AU	N	D
GCAB-0010QSH1	41330511200	1- 17	AM	N	D
GCAB-0028QSHZ	41330511300	1- 18	AY	N	D
GCASP0001QSH2	41330511400	19- 19	AY	N	D
GCOVH0003QSHZ	41330511900	2- 1	AH	N	D
GCOVH0004QSHZ	41330512000	2- 2	AV	N	D
GDAi-0001QSHZ	41330512100	11- 28	BD	N	D
"	41330512100	12- 17	BD	N	D
GLEGG0064FCZZ	41330512200	12- 18	AC		C
[J]					
JBTN-0005QSZZ	41330512300	3- 4	AC		C
JBTN-0008QSHZ	41330512400	3- 6	AF	N	C
JBTN-0010QSZZ	41330512500	3- 3	AC		C
JKNBZ0001QSZZ	41330512900	10- 22	AE		C
[L]					
LANGK8132PAZZ		32- 4	AC		C
LANGT0006QSZZ	41330513300	14- 28	AC		C
LBNDJ0013FCZ1	41330513400	7- 3	AA		C
"	41330513400	12- 32	AA		C
"	41330513400	16- 21	AA		C
"	41330513400	17- 9	AA		C
LBNDJ0037FCZ1	41330513500	26- 2	AA		C
"	41330513500	27- 2	AA		C
"	41330513500	28- 2	AA		C
LBNDJ0043FCZZ	41330513600	10- 6	AA		C
LBNDJ0067FCZZ	41330513700	13- 17	AC		C
LBÖSZ1031FCZZ	41330513800	11- 15	AC		C
LBÖSZ1508FCZZ	41330513900	16- 15	AG		C
LBÖSZ1509FCZ1	41330514000	16- 28	AD		C
LBÖSZ1510FCZZ	41330514100	16- 18	AF		C
LBÖSZ1851FCZZ	41330514200	11- 13	AC		C
LBRC-0055FCZZ	41330514300	16- 10	AK		C
LBShZ0005QSZZ	41330514400	12- 36	AC		C
LBShZ0303FCZZ	41330514600	16- 9	AC		C
LFiX-0004QSZZ	41330514700	18- 15	AC		C
LFiX-0284FCZZ	41330514800	8- 11	AC		C
LFRM-0003QSZ1	41330514900	4- 9	AP		D
LFRM-0004QSZZ	41330515000	13- 7	AV		D
LFRM-0005QSZZ	41330515100	13- 30	AQ		D
LFRM-0010QSHZ	41330515300	16- 35	AM	N	D
LFRM-0035QSZZ	41330515800	10- 21	AZ		D
LHLDRO081QSZZ	41330515900	20- 24	AC		C
LHLDW1226FCZZ	41330516000	19- 3	AB		C
"	41330516000	23- 12	AB		C
LHLDW1334FCZZ	41330516100	10- 35	AA		C
LHLDW2133SCZZ	41330516200	6- 36	AC		C
LHLDZ0009QSDZ	41330516300	17- 1	AG		C
LHLDZ0010QSZ1	41330516400	18- 14	AL		C

PARTS CODE	OEM CODE	NO.	PRICE RANK	NEW MARK	PART RANK
LHLDZ0011QSZZ	41330516500	6- 4	AD		C
LHLDZ0013QSZZ	41330516600	8- 5	AD		C
LHLDZ0016QSZZ	41330516700	22- 5	AM		C
LHLDZ0017QSZZ	41330516800	11- 30	AD		C
LHLDZ0018QSZZ	41330516900	10- 13	AE		C
LHLDZ0019QSZZ	41330517000	8- 2	AN		C
LHLDZ0050QSZZ	41330517100	12- 1	AP		C
LHLDZ0080QSZZ	41330517200	11- 58	AC		C
LPI NS0010QSZZ	41330517300	10- 26	AD		C
LPLTM0003YSZZ	41330517400	20- 33	AK		C
LPLTM0016QSZZ	41330517500	11- 42	AE		C
LPLTM0017QSZZ	41330517600	12- 1	AQ		C
LPLTM0018QSZZ	41330517700	12- 40	AN		C
LPLTM0020QSZZ	41330517800	12- 21	AL		C
LPLTM0022QSZZ	41330517900	13- 29	AF		C
LPLTM0033QSZZ	41330518000	22- 8	AF		C
LPLTM0034QSZZ	41330518100	22- 9	AE	N	C
LPLTM0043QSZZ	41330518300	4- 5	AD		C
LPLTM0046QSZZ	41330518400	11- 25	AE		C
LPLTM0097QSZZ	41330518600	6- 17	AE		C
LPLTM0098QSZZ	41330518700	6- 18	AE		C
LPLTM0194QSZZ	41330518900	20- 19	AC		C
LPLTM2642FCGZ	41330519000	19- 4	AD		C
LPLTM5106FCZZ	41330519100	19- 1	AR		C
LPLTM5111FCZZ	41330519200	5- 4	AC		C
LPLTM5422FCZZ	41330519300	11- 59	AC		C
LPLTP0009QSZZ	41330519400	13- 38	AS		C
LPLTP0010QSZZ	41330519500	22- 24	AD		C
LPLTP5107FCZZ	41330520200	19- 5	AH		C
LPLTP5108FCZZ	41330520300	19- 13	AH		C
LRALM0002QSZZ	41330520400	5- 15	AF		C
LRALM0003QSZZ	41330520500	5- 14	AG		C
LRALP0001QSZZ	41330520600	11- 34	AM		C
LSOU-0001QSHZ	41330520700	1- 2	AW	N	D
LSOU-0002QSHZ	41330520800	16- 48	AL	N	D
LSOU-0003QSHZ	41330520900	16- 49	AH	N	D
LSOU-0008QSHZ	41330521200	1- 4	AG	N	D
LSTPP0116FCZZ	41330521600	13- 18	AA		C
LSTPP0161FCZZ	41330521700	19- 18	AB		C
LSTPP0300FCZZ	41330521800	16- 37	AB		C
LX-BZ0001QSZZ	41330521900	23- 16	AD		C
LX-BZ0004QSZZ	41330522000	5- 16	AB		C
"	41330522000	6- 6	AB		C
LX-BZ0010QSZZ	41330522100	13- 8	AB		C
LX-BZ0011QSZZ	41330522200	13- 42	AB		C
LX-BZ0049FCZZ	41330522500	5- 29	AB		C
LX-BZ0241PAZZ		32- 5	AA		C
"		32- 6	AA		C
LX-BZ0254PAZZ		32- 7	AB		C
LX-BZ0256PAZZ		32- 8	AB		C
LX-BZ0273PAZZ		32- 9	AB		C
LX-BZ0324FCZZ	41330522600	5- 27	AA		C
LX-BZ0335FCZZ	41330522700	8- 8	AA		C
LX-BZ0422PAZZ		32- 10	AB		C
LX-BZ0656FCZZ	41330522800	20- 22	AD		C
LX-BZ0700FCZZ	41330522900	11- 54	AA		C
LX-BZ0735FCZZ	41330523000	13- 36	AA		C
LX-BZ3006SC0S	41330523100	10- 28	AA		C
LX-WZ0023FCZZ	41330523200	11- 43	AA		C
LX-WZ0119FCZZ	41330523300	5- 32	AA		C
LX-WZ0313FCZZ	41330523400	13- 26	AA		C
LX-WZ0329FCZZ	41330523500	22- 13	AB		C
LX-WZ2028SCZZ	41330523600	11- 51	AA		C
"	41330523600	19- 10	AA		C
[M]					
MARMP0173FCZZ	41330524200	16- 4	AC		C
MARMP0204FCZ1	41330524300	16- 39	AF		C
MARMP0205FCZZ	41330524400	16- 38	AF		C
MHNG-0002QSZZ	41330524600	16- 40	AC		C
MLEVP0005QSZZ	41330524900	9- 5	AD		C
MLEVP0006QSZZ	41330525000	11- 2	AD		C
MLEVP0014QSZZ	41330525400	13- 28	AF		C
MLEVP0015QSZZ	41330525500	13- 23	AF		C
MLEVP0048QSZZ	41330525700	11- 49	AD		C
MSPRC0016QSZZ	41330525900	17- 7	AC		C
MSPRC0017QSZZ	41330526000	17- 5	AC		C
MSPRC0018QSZZ	41330526100	17- 6	AC		C
MSPRC0021QSZZ	41330526200	9- 7	AB		C
MSPRC0022QSZZ	41330526300	9- 9	AC		C
MSPRC0023QSZZ	41330526400	14- 15	AB		C
MSPRC0024QSZZ	41330526500	10- 8	AA		C

PARTS CODE	OEM CODE	NO.	PRICE RANK	NEW MARK	PART RANK
MSPRC0026QSZZ	41330526600	11- 3	AB		C
MSPRC0027QSZZ	41330526700	18- 10	AC		C
MSPRC0028QSZZ	41330526800	18- 11	AC		C
MSPRC0030QSZZ	41330526900	4- 14	AC		C
MSPRC0031QSZZ	41330527000	4- 13	AB		C
MSPRC0032QSZZ	41330527100	4- 11	AB		C
MSPRC0040QSZZ	41330527200	5- 19	AB		C
MSPRC0045QSZZ	41330527300	22- 30	AA		C
MSPRC0047QSZZ	41330527400	11- 31	AA		C
MSPRC0048QSZZ	41330527500	16- 41	AB		C
MSPRC0049QSZZ	41330527600	16- 14	AC		C
MSPRC0051QSZZ	41330527700	18- 12	AA		C
MSPRC0053QSZZ	41330527800	14- 3	AB		C
MSPRC0055QSZZ	41330527900	13- 25	AC		C
MSPRC0077QSZZ	41330528200	11- 41	AB		C
MSPRC0108QSZZ	41330528300	19- 15	AC		C
MSPRC0109QSZZ	41330528400	16- 50	AC		C
MSPRC0161QSZZ	41330528700	11- 16	AF		C
MSPRC1145FCZZ	41330528800	19- 17	AA		C
MSPRC1315FCZ1	41330528900	16- 16	AD		C
MSPRC1316FCZ1	41330529000	11- 11	AE		C
"	41330529000	16- 27	AE		C
MSPRC1318FCZ1	41330529100	14- 23	AA		C
"	41330529100	16- 30	AA		C
MSPRC1873FCZ1	41330529200	19- 16	AB		C
MSPRC2175FCZZ	41330529300	16- 33	AA		C
MSPRD0076QSZZ	41330529800	4- 6	AD		C
MSPRD0158QSZZ	41330530000	11- 50	AB		C
MSPRK0001YSZZ	41330530200	20- 23	AB		C
MSPRP0015QSZZ	41330530300	3- 7	AC		C
MSPRP0033QSZZ	41330530400	13- 6	AD		C
MSPRP0034QSZZ	41330530500	13- 14	AE		C
MSPRP0110QSZZ	41330530900	15- 6	AD		C
MSPRT0019QSZZ	41330531100	7- 5	AB		C
MSPRT0020QSZZ	41330531200	9- 2	AB		C
MSPRT0029QSZZ	41330531300	4- 3	AC		C
MSPRT0054QSZZ	41330531400	13- 37	AC		C
MSPRT00513FCZ1	41330532000	18- 7	AA		C
[N]					
NBLT-0005QSZZ	41330532100	10- 5	AH		B
NBLTT0001QSZZ	41330532200	10- 20	AH		B
NBLTT0002QSZZ	41330532300	5- 26	AH		B
NBRGC0020QSZZ	41330532800	20- 16	AH		C
NBRGC0021QSZZ	41330532900	20- 13	AD		C
NBRGC0100FCZ1	41330533000	11- 8	AC		C
NBRGC0133FCZ1	41330533100	5- 31	AC		C
NBRGC0387FCZ1	41330533200	5- 23	AC		C
NBRGC0579FCZZ	41330533300	10- 2	AE		C
NBRGP0260FCZ1	41330533500	13- 24	AD		C
NBRGP0299FCZZ	41330533600	22- 21	AC		C
NBRGP0562FCZZ	41330533700	11- 19	AD		C
NBRGP0567FCZZ	41330533800	13- 20	AG		C
NCPL-0003QSZZ	41330533900	22- 12	AC		C
NCPL-0006QSZZ	41330534000	10- 7	AC		C
NFANP0001QSZZ	41330534100	10- 12	AX		B
NFANP0005QSZZ	41330610600	10- 12	AW		B
NGERH0001YSZZ	41330534200	20- 12	AD		C
NGERH0007QSZZ	41330534300	14- 11	AH		C
NGERH0008QSZZ	41330534400	14- 16	AL		C
NGERH0009QSZZ	41330534500	14- 7	AD		C
NGERH0010QSZZ	41330534600	14- 6	AD		C
NGERH0012QSZZ	41330534700	14- 18	AE		C
NGERH0013QSZZ	41330534800	14- 19	AG		C
NGERH0014QSZZ	41330534900	14- 8	AD		C
NGERH0015QSZZ	41330535000	14- 10	AD		C
NGERH0016QSZZ	41330535100	14- 12	AD		C
NGERH0017QSZZ	41330535200	14- 17	AD		C
NGERH0018QSZZ	41330535300	14- 14	AC		C
NGERH0019QSZZ	41330535400	14- 13	AD		C
NGERH0020QSZZ	41330535500	11- 9	AG		C
NGERH0021QSZZ	41330535600	16- 46	AD		C
NGERH0022QSZZ	41330535700	11- 21	AC		C
NGERH0025QSZZ	41330535800	11- 23	AD		C
NGERH0026QSZZ	41330535900	11- 22	AD		C
NGERH0027QSZZ	41330536000	5- 18	AH		C
NGERH0036QSZZ	41330536100	22- 28	AC		C
NGERH0037QSZZ	41330536200	22- 27	AC		C
NGERH0038QSZZ	41330536300	22- 26	AC		C
NGERH0039QSZZ	41330536400	22- 25	AE		C
NGERH0050QSZZ	41330536700	14- 4	AD		C
NGERH0135QSZZ	41330536900	20- 9	AD		C

PARTS CODE	OEM CODE	NO.	PRICE RANK	NEW MARK	PART RANK
NGERH0145QSZZ	41330537000	20- 15	AD		C
NGERH0193FCZZ	41330537100	19- 11	AB		C
NGERH0540FCZ3	41330537200	13- 19	AD		C
NGERH0972FCZZ	41330537300	16- 19	AB		C
NGERH0990FCZZ	41330537400	16- 7	AB		C
NGERH0991FCZZ	41330537500	16- 20	AC		C
NGERH0992FCZZ	41330537600	16- 3	AB		C
NGERH1132FCZZ	41330537700	11- 18	AH		C
NGERH1169FCZZ	41330537800	11- 47	AF		C
NPLYZ0001QSZZ	41330538100	10- 4	AE		C
NPLYZ0002QSZZ	41330538200	14- 5	AC		C
NPLYZ0003QSZZ	41330538300	5- 28	AM		C
NPLYZ0004QSZZ	41330538400	5- 25	AG		C
NPLYZ0005QSZZ	41330538500	5- 9	AG		C
NPLYZ0006QSZZ	41330538600	5- 10	AD		C
NPLYZ0007QSZZ	41330538700	8- 4	AG		C
NRÖLi0014QSZZ	41330539000	13- 21	AZ		C
NRÖLM0074QSZZ	41330539300	20- 31	AZ		C
NRÖLP0007QSZ1	41330539400	10- 1	AQ		C
NRÖLP0012QSZ1	41330539700	10- 3	AS		C
NRÖLP0046QSZZ	41330540000	9- 1	AC		C
NRÖLP0073QSZZ	41330540100	20- 5	AS		C
NRÖLP1008FCZZ	41330540200	16- 5	AK		C
NRÖLP1122FCZZ	41330540400	4- 17	AF		C
"/	41330540400	9- 8	AF		C
NRÖLR0013QSZZ	41330540500	11- 7	AQ		C
NRÖLR0028QSZZ	41330540600	13- 27	AZ		C
NRÖLR0922FCZZ	41330540700	16- 1	AR		C
NSFTZ0003QSZZ	41330540800	22- 33	AD		C
NSFTZ0004QSZZ	41330540900	22- 15	AK		C
NSFTZ0006QSZ1	41330541000	4- 15	AG		C
NSFTZ0008QSZZ	41330541100	5- 30	AQ		C
NSFTZ2311FCZZ	41330541600	16- 8	AU		C
[P]					
PBOX-0012QSZZ	41330541700	20- 17	AN		D
PBRSR0002QSZ1	41330541800	6- 13	AH		B
PBRSR0004QSZZ	41330542000	13- 4	AE		B
PBRSR0022QSZ1	41330542100	20- 35	AF	N	B
PCAPH0008QSZZ	41330542200	22- 34	AC		C
PCAPH1001ACZZ	41330542300	12- 42	AE		C
PCASZ0002QSZZ	41330542400	18- 16	AL		D
PCASZ0003QSZZ	41330542500	6- 2	AK		C
PCASZ0004QSZZ	41330542600	22- 4	AK		C
PCOVP0007QSHZ	41330542700	11- 38	AE	N	D
PCOVP0008QSZZ	41330542800	11- 60	AE		C
PCOVP0009QSZZ	41330542900	11- 61	AE		C
PCOVP0010QSZZ	41330543000	13- 5	AG		D
PCOVP0011QSZZ	41330543100	13- 15	AK		D
PCOVP0013QSZZ	41330543200	11- 32	AD		D
PCOVP0018QSZZ	41330543300	22- 23	AG		C
PCOVP0019QSHZ	41330543400	16- 44	AH	N	D
PCOVP0023QSZ1	41330543500	15- 3	AK		D
PCOVP0044QSZ1	41330544100	12- 5	AP		D
PCOVP0046QSZ3	41330544300	12- 7	AE		D
PCOVP0047QSHZ	41330544500	1- 28	AH	N	D
PCOVP0048QSHZ	41330544600	1- 30	AE	N	D
PCOVP0051QSZZ	41330544800	11- 53	AF		D
PCOVP0081QSZZ	41330544900	20- 3	AF		D
PCOVP0082QSZZ	41330545000	20- 20	AD		D
PCOVS1113PAZZ		32- 11	AQ		C
PCUSS0009QSZZ	41330545100	8- 10	AA		C
PCUSS0011QSZZ	41330545300	6- 40	AB		C
PCUSS0201FCZZ	41330545400	8- 14	AA		C
PFiLZ0002QSZZ	41330546000	1- 23	AL		D
PFiLZ0007QSZ2	41330546100	3- 1	AS	N	D
PFTA-0003QSZZ	41330546200	12- 8	AF		D
PFTA-0006QSHZ	41330546400	1- 26	AG	N	D
PGiDH0025QSZ1	41330546500	18- 4	AG		C
PGiDH0026QSZZ	41330546600	13- 34	AE		C
PGiDM0006QSZZ	41330546800	9- 6	AM		C
PGiDM0007QSZZ	41330546900	6- 15	AP		C
PGiDM0008QSZZ	41330547000	4- 4	AD		C
PGiDM0009QSZZ	41330547100	10- 25	AG		C
PGiDM0010QSZ1	41330547200	11- 5	AG		C
PGiDM0011QSZZ	41330547300	18- 2	AE		C
PGiDM0014QSZZ	41330547400	16- 12	AF		C
PGiDM0017QSHZ	41330547700	16- 43	AE	N	C
PGiDM0018QSHZ	41330547800	16- 42	AE	N	C
PGiDM0023QSZZ	41330548100	13- 1	AP		C
PGiDM0059QSHZ	41330548500	6- 37	AF	N	C
PGiDM0060QSHZ	41330548600	6- 38	AF	N	C

PARTS CODE	OEM CODE	NO.	PRICE RANK	NEW MARK	PART RANK
PGiDM0090QSZZ	41330548700	20- 7	AH		C
PGLSP0001QSZZ	41330548800	1- 16	AX		B
PGLSP0002QSZZ	41330548900	1- 37	AU		B
PGSK-0001QSZZ	41330549000	6- 10	AG		C
PGSK-0006QSZZ	41330549100	6- 12	AE		C
PGSK-1004DCZZ	41330549200	6- 23	AF		C
PGUMS0004QSZZ	41330549300	6- 39	AA		C
PMiR-0002QSZZ	41330549400	8- 12	AN		B
PMLT-0008QSZZ	41330549500	20- 32	AC		C
PMLT-0015QSZZ	41330549600	22- 17	AA		C
PMLT-0016QSZZ	41330549700	22- 18	AD		C
PMLT-0017QSZZ	41330549800	22- 20	AC		C
PMLT-0018QSZZ	41330549900	22- 14	AC		C
PMLT-0024QSZZ	41330550000	1- 22	AC		C
PMLT-0026QSZZ	41330550100	10- 39	AC		C
PMLT-0028QSZZ	41330550200	12- 34	AC		C
PPiPP0003QSZZ	41330550300	11- 17	AD		C
PPiPP0004QSZZ	41330550400	22- 31	AH		C
PPiPP0109FCZ1	41330550700	11- 10	AC		C
"/	41330550700	16- 17	AC		C
PPiPP0175FCZZ	41330550800	16- 26	AC		C
PRDAR0534PAZZ		32- 12	AE		C
PRDAR0564PAZZ		32- 13	AP		C
PSEL-0021QSZ1	41330550900	22- 19	AF		C
PSEL-0022QSZ1	41330551000	22- 16	AF		C
PSEL-0080QSZZ	41330551100	20- 28	AE		C
PSEL-0082QSZZ	41330551200	20- 18	AC		C
PSEL-0083QSZ1	41330551300	20- 6	AF		C
PSEL-0084QSZ1	41330551400	20- 8	AA		C
PSEL-0096QSZZ	41330551500	20- 30	AA	N	C
PSEL-0110QSZZ	41330551600	20- 2	AF	N	C
PSHEP0019QSZ1	41330551700	18- 3	AC		C
PSHEP0020QSZZ	41330551800	18- 13	AB		C
PSHEP0021QSZZ	41330551900	18- 6	AA		C
PSHEP0023QSZZ	41330552000	13- 35	AF		C
PSHEP0042QSZZ	41330552300	6- 11	AC		C
PSHEP0047QSZZ	41330552500	13- 40	AC		C
PSHEP0061QSZZ	41330552600	19- 8	AA		C
PSHEZ0018QSZZ	41330552900	18- 1	AF		C
PSHEZ0026QSZZ	41330553000	1- 14	AE		C
PSHEZ0027QSZZ	41330553100	1- 15	AC		C
PSHEZ0029QS11	41330553200	20- 29	AC		C
PSHEZ0034QSZ1	41330553300	2- 3	AV		D
PSHEZ0045QSZZ	41330553500	13- 33	AC		C
PSHEZ0048QSZZ	41330553600	8- 1	AE		C
PSHEZ0066QSZZ	41330553700	6- 20	AE		C
PSHEZ0072QSZZ	41330553800	6- 33	AE		C
PSHEZ0074QSZZ	41330553900	6- 24	AE		C
PSHEZ0075QSZZ	41330554000	15- 7	AC		C
PSHEZ0079QSHZ	41330554100	1- 25	AD	N	C
PSHEZ0080QSZZ	41330554200	9- 11	AE		C
PSHEZ0081QSZ1	41330554300	6- 28	AD		C
PSHEZ0082QSZZ	41330554400	6- 29	AB		C
PSHEZ0093QSHZ	41330554500	1- 31	AC	N	C
PSHEZ0094QSHZ	41330554600	1- 32	AB	N	C
PSHEZ0095QSZZ	41330554700	1- 33	AD		C
PSHEZ0111QSZZ	41330554900	6- 30	AC		C
PSHEZ0115QSZ1	41330555100	11- 55	AC		C
PSHEZ0141QSZZ	41330555200	1- 35	AC		C
"/	41330555200	21- 6	AC		C
PSHEZ0163QSZ1	41330555300	12- 25	AC		C
PSHEZ0181QSHZ	41330555500	1- 38	AC	N	C
PSHEZ0195QSZZ	41330556100	12- 35	AD		C
PSHEZ2026FCZ1	41330556200	11- 29	AB		C
PSHEZ2174FCZZ	41330556300	11- 36	AB		C
PSHEZ4142FCZZ	41330556400	19- 2	AC		C
PSHT-0004QSZ1	41330556500	22- 29	AC		C
PSPAZ0696FCZZ	41330556700	22- 32	AC		C
PTME-0002QSZZ	41330557100	14- 24	AD		C
PTME-0003QSZ1	41330557200	14- 26	AD		C
PTME-0004QSZZ	41330557300	4- 2	AG	N	C
PTME-0178FCZ1	41330557600	16- 32	AC		C
PTME-0179FCZZ	41330557700	16- 31	AC		C
PTME-0255FCZZ	41330557800	19- 6	AG		C
PTME-0256FCZZ	41330557900	19- 14	AG		C
PTPE-0003QSZ1	41330558000	22- 7	AF		C
PTPE-0010QSZZ	41330558100	1- 34	AC		C
PWiR-0001QSZZ	41330558300	13- 3	AF		C
PWiR-0003QSZZ	41330558400	5- 1	AR		C
PZETO0070PAZZ		32- 14	AE		C

PARTS CODE	OEM CODE	NO.	PRICE RANK	NEW MARK	PART RANK
[Q]					
QACCL7621QCZZ	41330610700	23- 3	AX		B
QACCV6621QCN1	41330558500	23- 3	AU		B
QCNCM0011QSZZ	41330558600	25- 1	AH		C
QCNCM0038QSZZ	41330558700	29- 33	AH		C
"	41330558700	30- 1	AH		C
QCNCM0861FCZZ	41330558900	24- 1	AB		C
QCNCM0879FCZZ	41330559000	29- 36	AF		C
QCNCM0923FC10	41330559100	29- 4	AE		C
"	41330559100	30- 2	AE		C
QCNCM0923FC14	41330559200	29- 13	AE		C
QCNCM0923FC18	41330559300	29- 14	AF		C
"	41330559300	30- 3	AF		C
QCNCM0923FC24	41330559400	29- 15	AF		C
"	41330559400	30- 4	AF		C
QCNCM1005MCZZ	41330559500	29- 16	AB		C
"	41330559500	30- 5	AB		C
QCNCM1069AC0D	41330559600	29- 17	AC		C
"	41330559600	30- 6	AC		C
QCNCM1119LC0C	41330559700	29- 18	AC		C
QCNCM1119LC0E	41330559800	29- 19	AC		C
"	41330559800	30- 7	AC		C
QCNCM2401SC0C	41330559900	29- 20	AB		C
"	41330559900	30- 8	AB		C
QCNCM2401SC0E	41330560000	29- 21	AC		C
"	41330560000	30- 9	AC		C
QCNCM2401SC0F	41330560100	29- 22	AB		C
"	41330560100	30- 10	AB		C
QCNCM7014SC0C	41330560200	29- 23	AA		C
"	41330560200	30- 11	AA		C
QCNCM7014SC0D	41330560300	29- 24	AB		C
"	41330560300	30- 12	AB		C
QCNCM7014SC0E	41330560400	29- 25	AB		C
"	41330560400	30- 13	AB		C
QCNCP0340QCZZ	41330560600	29- 26	AC		C
"	41330560600	30- 14	AC		C
QCNCW0015QSZZ	41330560700	29- 34	AE		C
"	41330560700	30- 15	AE		C
QCNCW0024QSZZ	41330560800	29- 32	AF		C
"	41330560800	30- 16	AF		C
QCNCW0033QSZZ	41330560900	29- 35	AV		C
QCNCW0946FCZZ	41330561100	31- 1	AH		C
QCNCW0948FCZ5	41330561200	29- 27	AC		C
QCNCW1124LC0D	41330561300	29- 28	AB		C
"	41330561300	30- 17	AB		C
QCNCW1124LC0H	41330561400	29- 29	AC		C
"	41330561400	30- 18	AC		C
QCNCW1124LC1H	41330561500	29- 30	AD		C
"	41330561500	30- 19	AD		C
QCNCW1124LC2F	41330561600	30- 20	AD		C
"	41330561600	31- 2	AD		C
QCNCW1124LC3A	41330561700	29- 31	AE		C
QCNCW1132LC1H	41330561900	24- 2	AD		C
QFS-C0048PAZZ	41330610400	32- 15	AE		A
"	41330610400	33- 1	AE		A
QFS-C0055PAZZ	41330610500	32- 16	AF		A
"	41330610500	33- 2	AF		A
QFSHA0024PAZZ		32- 17	AC		C
QFSHA0025PAZZ		32- 18	AC		C
QPLGZ0430PAZZ		33- 3	AE		C
QPLGZ0557PAZZ		32- 23	AD		C
"		33- 4	AD		C
QPLGZ0559PAZZ		33- 5	AG		C
QPLGZ0560PAZZ		32- 24	AF		C
"		33- 6	AF		C
QPLGZ0598PAZZ		32- 25	AG		C
QSLP-0005QSZZ	41330562300	10- 16	AE		C
QSLP-0006QSZZ	41330562400	10- 14	AE		C
QSLP-0007QSZZ	41330562500	18- 9	AC		C
QS0CA0027PAZZ		32- 27	AG		C
QS0CZ0002GCZZ	41330562700	30- 21	AD		C
QS0CZ0002QSZZ	41330562800	29- 37	AD		C
QS0CZ0003QSZZ	41330562900	29- 38	AD		C
QS0CZ6408ACZZ	41330563100	30- 22	AB		C
QSW-B0003QSZZ	41330563200	11- 26	AF		B
"	41330563200	11- 57	AF		B
QSW-C0045PAZZ		32- 28	AK		B
QSW-P0005QSZZ	41330563300	24- 3	AC		B
QTANP0004QSZZ	41330563500	22- 3	AD		C
QTANP0005QSZZ	41330563600	22- 6	AC		C

PARTS CODE	OEM CODE	NO.	PRICE RANK	NEW MARK	PART RANK
[R]					
RC-EZ0382PAZZ		33- 7	AR		C
RC-EZ0421PAZZ		32- 29	AP		C
RC-EZ0502PAZZ		32- 30	AE		C
RC-EZ0574PAZZ		32- 31	AC		C
RC-EZ0577PAZZ		32- 32	AB		C
RC-EZ0580PAZZ		32- 35	AF		C
RC-FZ137DPAZZ		33- 8	AE		C
RC-FZ138DPAZZ		33- 9	AE		C
RC-FZ140DPAZZ		33- 10	AG		C
RC-FZ159DPAZZ		32- 36	AD		C
RC-FZ160DPAZZ		32- 37	AE		C
RCiLZ0003QSZZ	41330564000	29-132	AC		C
"	41330564000	30- 23	AC		C
RCiLZ0004QSZZ	41330564100	29-131	AE		C
"	41330564100	30- 24	AE		C
RCiLZ1032CCZZ	41330564300	29-137	AD		C
RC-K1E104HCZZ	41330563800	31- 3	AB		C
RC-KZ4012PAZZ		32- 39	AD		C
RC-KZ4014PAZZ		33- 11	AC		C
RC-KZ4015PAZZ		33- 12	AC		C
RC-KZ4020PAZZ		32- 42	AC		C
RCORF0002QSZZ	41330564700	6- 22	AE		C
"	41330564700	9- 12	AE		C
RCORF0003QSZZ	41330564800	12- 33	AL		C
RCORF0071PAZZ		32- 43	AB		C
RCORF4092PAZZ		33- 21	AC		C
RC-QZ0222PAZZ		32- 44	AD		C
"		33- 13	AD		C
RC-QZ0230PAZZ		32- 45	AE		C
"		33- 14	AE		C
RC-QZ0232PAZZ		33- 15	AE		C
RC-QZA102PARK		32- 46	AC		C
"		33- 16	AC		C
RC-QZA103PARK		32- 47	AC		C
"		33- 17	AC		C
RC-QZA104PARK		32- 48	AC		C
"		33- 18	AC		C
RC-QZA223PARK		32- 49	AC		C
"		33- 19	AC		C
RC-QZA471PARK		32- 51	AB		C
RC-QZA472PARK		32- 52	AC		C
"		33- 20	AC		C
RCRSZ0001QSZZ	41330565300	29- 10	AG		B
"	41330565300	30- 25	AG		B
RCRSZ0003QSZZ	41330565400	29- 12	AP		B
"	41330565400	30- 26	AP		B
RCRSZ0011QSZZ	41330565500	29- 11	AP		B
"	41330565500	30- 27	AP		B
RDTCM0013QSZZ	41330565900	20- 26	AY		B
RDTCT0128FCZZ	41330566100	13- 9	AR		B
RFiLZ0004QSZZ	41330566300	29-133	AM		C
"	41330566300	30- 28	AM		C
RH-DZ0016FCZZ	41330566500	29-124	AB		B
"	41330566500	30- 29	AB		B
RH-iX0275PAZZ		32- 54	AP		B
RH-iX1783PAZZ		32- 55	AF		B
RH-iX1950PAZZ		32- 56	AF		B
"		33- 22	AF		B
RH-iX2101PAZZ		32- 57	AL		B
RH-iX2251PAZZ		33- 23	AR		B
RH-iX2257PAZZ		33- 24	AK		B
RH-iX2258PAZZ		33- 25	AH		B
RH-iX2336PAZZ		32- 58	AN		B
RH-PX0285PAZZ		32- 59	AF		B
"		33- 26	AF		B
RH-PX0308PAZZ		33- 27	AM		B
RLMPU0011QSZZ	41330566600	13- 22	BA		B
RMOTD0009QSZZ	41330566700	10- 9	AU		B
RMOTP0010QSZZ	41330566800	14- 2	BN		B
RMOTP0011QSZZ	41330566900	5- 20	BA		B
RMPTW4100QCJJ	41330567100	29- 58	AA		B
"	41330567100	30- 30	AA		B
RMPTW4102QCJJ	41330567200	29- 55	AB		B
"	41330567200	30- 31	AB		B
RMPTW4203QCJJ	41330567400	29- 56	AA		B
"	41330567400	30- 32	AA		B
RMPTW4300QCJJ	41330567900	29- 59	AA		B
"	41330567900	30- 33	AA		B
RMPTW4470QCJJ	41330568100	29- 57	AB		B
"	41330568100	30- 34	AB		B

PARTS CODE	OEM CODE	NO.	PRICE RANK	NEW MARK	PART RANK
RPLU-0001QSZZ	41330568300	14- 22	AN		B
RPLU-0002QSZZ	41330568400	14- 25	AN		B
RPLU-0003QSZZ	41330568500	16- 29	AN		B
RPLU-0016QSZZ	41330568800	14- 22	AN		B
RR-DZ0028PAZZ		32- 60	AA		C
RR-DZ0029PAZZ		32- 61	AA		C
RR-FZF3HCR33K		32- 62	AG		C
RRLYD342CQCZZ	41330569000	29-135	AM		B
RRLYZ0100PAZZ		33- 37	AN		B
RRLYZ0106PAZZ		32- 68	AK		B
RR-SN1001PA6F		32- 69	AA		C
RR-SN1201PA6F		33- 28	AB		C
RR-SN1372PA6F		32- 70	AA		C
RR-SN2101PA6D		32- 71	AB		C
RR-SN2401PA6D		32- 72	AB		C
RR-SN3900PA6F		33- 29	AB		C
RR-SN5101PA6F		32- 73	AA		C
RR-SZ0034PAZZ		33- 30	AC		C
RR-SZ0048PAZZ		33- 31	AC		C
RR-SZ0057PAZZ		33- 32	AC		C
RR-SZ0072PAZZ		32- 74	AB		C
RR-SZ0073PAZZ		32- 75	AB		C
RR-XZ0051PAZZ		32- 76	AC		C
RR-XZ0056PAZZ		33- 33	AC		C
RR-XZ0078PAZZ		32- 77	AC		C
RR-XZ4002PAZZ		33- 34	AC		C
RR-XZ4003PAZZ		33- 35	AC		C
RTRNZ0400PACT		33- 36	AC		C
RTRNZ0484PANH		32- 81	AD		B
RTRNZ0499PACT		32- 82	AN		B
RTRNZ0610PACD		32- 83	AL		B
RTRNZ0617PANT		33- 38	AL		B
RTRNZ0618PANT		33- 39	AW		B
RTRNZ0652PACD		32- 84	AR		B
RVR-M0385PAZZ		33- 40	AR		B
RVR-M0390PAZZ		32- 85	AP		B
[S]		33- 41	AP		B
SPAKA0047QSZZ	41330569500	23- 9	AX		D
SPAKA0048QSZZ	41330569600	23- 2	AP		D
SPAKA0049QSZZ	41330569700	23- 1	AP		D
SPAKA0050QSZZ	41330569800	23- 11	AE		D
SPAKA0051QSZZ	41330569900	23- 14	AC		D
SPAKA0068QSZZ	41330570000	23- 18	AD		D
SPAKA0106QSZZ	41330570100	23- 9	AY		D
SPAKA0208QSZZ	41330570200	23- 1	AN		D
SPAKA0209QSZZ	41330570300	23- 2	AQ		D
SPAKC0336RS12	41330610900	23- 10	AY	N	D
SPAKC0336TSZZ		23- 10	*	N	D
SPAKC0393RS11	41330610800	23- 10	AY	N	D
SPAKC0393TSZZ		23- 10	*	N	D
SSAKA2347QCZZ	41330572900	23- 19	AB		D
SSAKA5003CCZZ	41330573100	23- 5	AA		D
SSAKZ0002QSZZ	41330573400	23- 6	AF		D
[T]					
TCAUA0770FCZZ	41330574000	1- 19	AB		D
TCAUH0007QSZZ	41330574100	15- 8	AD		C
TCAUH0992FCZ1	41330574200	13- 32	AF		D
T iNSE0644QSZZ	41330574400	23- 20	AW		D
T iNSX0633QSZZ	41330574700	23- 20	AY		D
TLABH0301QSZZ	41330575100	1- 11	AG	N	C
TLABZ0058QSZZ	41330575200	1- 8	AD		C
TLABZ3405FCZZ	41330575300	29- 6	AB		D
TLABZ3568FCZZ	41330575300	30- 35	AB		D
TTAG-0002QSZZ	41330575400	19- 12	AB		D
TTAG-0003QSZZ	41330575600	23- 13	AB		D
TTAG-0003QSZZ	41330575700	23- 15	AC		D
[U]					
UBNDA0001FCZZ	41330575900	23- 4	AA		C
UCLEZ0006QS11	41330576000	20- 4	AF		D
UCLEZ0007QSZZ	41330576100	22- 10	AU		C
[V]					
VCCCCY1HH101J	41330576300	29- 98	AA		C
VCCCCY1HH120J	41330576300	30- 36	AA		C
VCCCCY1HH120J	41330576400	29- 99	AA		C
VCCCCY1HH180J	41330576400	30- 37	AA		C
VCCCCY1HH180J	41330576600	29-100	AA		C

PARTS CODE	OEM CODE	NO.	PRICE RANK	NEW MARK	PART RANK
VCCCCY1HH180J	41330576600	30- 38	AA		C
VCCCCY1HH330J	41330576900	29-101	AA		C
VCCCCY1HH470J	41330577000	30- 39	AA		C
VCCCTV1HH101J	41330577000	29-102	AA		C
VCCCTV1HH201J	41330577400	30- 40	AA		C
VCCCTV1HH330J	41330577400	31- 4	AA		C
VCCCTV1HH561J	41330577500	24- 4	AA		C
VCEAFU1EM227M	41330577600	31- 5	AA		C
VCEAFU1EM337M	41330577800	31- 6	AA		C
VCEAFU1HM105M		33- 43	AC		C
VCEAFU1VM336M		32- 94	AE		C
VCEAFV1AM228M		32- 95	AC		C
VCEAFV1VM108M		33- 44	AC		C
VCEAGA1CW106M	41330578700	32- 96	AC		C
VCEAGA1CW107M	41330578700	33- 45	AC		C
VCEAGA1CW226M	41330578800	33- 46	AF		C
VCEAGA1CW476M	41330578800	32- 97	AF		C
VCEAGA1EW106M	41330578900	33- 47	AF		C
VCEAGA1EW476M	41330579000	29-109	AA		C
VCEAGA1VW106M	41330579100	30- 41	AA		C
VCEAGA1VW226M	41330579100	29-110	AC		C
VCEAGA1VW476M	41330579200	30- 42	AC		C
VCEAGU1CW476M	41330579300	29-111	AB		C
VCEAJU1CW476M	41330579300	30- 43	AB		C
VCKYCY1CF104Z	41330579400	29-112	AB		C
VCKYCY1EB223K	41330579500	30- 44	AB		C
VCKYCY1HB102K	41330579500	30- 45	AA		C
VCKYCY1HB222K	41330579600	29-113	AA		C
VCKYCY1HB471K	41330579700	30- 46	AA		C
VCKYCY1HB102K	41330579700	29-114	AA		C
VCKYPU1HB102K	41330579900	30- 47	AB		C
VCKYTV1EB104K	41330580090	30- 48	AA		C
VCKYTV1HB102K	41330580900	29-103	AA		C
VCKYTV1HB223K	41330581000	30- 51	AA		C
VCKYTV1HB104K	41330581000	29-106	AA		C
VCKYTV1HB102K	41330581200	30- 52	AA		C
VCKYTV1HB223K	41330581400	29-104	AA		C
VCKYTV1HB223K	41330581400	30- 53	AA		C
VCKYTV1HB223K	41330581400	29-105	AA		C
VCKYTV1HB223K	41330581400	30- 54	AA		C
VCKYTV1HB223K	41330581700	29-107	AB		C
VCKYTV1HB223K	41330581700	30- 55	AB		C
VCKYTV1HB223K	41330582000	26- 3	AA		C
VCKYTV1HB223K	41330582000	27- 3	AA		C
VCKYTV1HB223K	41330582000	28- 3	AA		C
VCKYTV1HB223K	41330582100	25- 2	AA		C
VCKYTV1HB223K	41330582200	24- 6	AA		C
VCKYTV1HB223K	41330582300	24- 7	AA		C
VCKYTV1HB223K	41330582300	31- 8	AA		C
VCKYTV1HB223K	41330582400	24- 8	AA		C
VCKYTV1HB223K	41330582400	25- 3	AA		C
VCKYTV1HB223K	41330582400	31- 9	AA		C
VCKYTV1HB223K	41330582500	29-108	AC		C
VCKYTV1HB223K	41330582500	30- 56	AC		C
VCKYTV1HB223K	41330582700	30- 57	AB		C
VCKYTV1HB223K	41330583300	33- 48	AC		B
VCKYTV1HB223K	41330583300	32- 98	AC		B
VCKYTV1HB223K	41330583300	33- 49	AC		B
VCKYTV1HB223K	41330583300	29-129	AB		B
VCKYTV1HB223K	41330583300	30- 58	AB		B
VCKYTV1HB223K	41330583700	32- 99	AC		B
VCKYTV1HB223K	41330583700	33- 50	AC		B
VCKYTV1HB223K	41330583900	32-100	AA		B
VCKYTV1HB223K	41330583900	33- 51	AA		B
VCKYTV1HB223K	41330584000	32-101	AG		B
VCKYTV1HB223K	41330584000	33- 52	AG		B
VCKYTV1HB223K	41330583600	29-127	AC		B
VCKYTV1HB223K	41330583600	30- 59	AC		B
VCKYTV1HB223K	41330583700	29-125	AB		B
VCKYTV1HB223K	41330583700	30- 60	AB		B
VCKYTV1HB223K	41330583900	29-126	AB		B
VCKYTV1HB223K	41330583900	30- 61	AB		B
VCKYTV1HB223K	41330584000	24- 9	AA		B

PARTS CODE	OEM CODE	NO.	PRICE RANK	NEW MARK	PART RANK
VHDDSS133// -1	41330584000	29-128	AA		B
"	41330584000	30- 62	AA		B
"	41330584000	31- 10	AA		B
VHDERA2208/-1		32-103	AD		B
"		33- 53	AD		B
VHDERA9202/-1		32-104	AE		B
"		33- 54	AE		B
VHDYG801C04-1		33- 55	AG		B
VHDYG802C04-1		32-105	AH		B
VHDYG901C2/-1		33- 56	AG		B
VHDYG902C2/-1		32-106	AH		B
VHEMTZJ22B/-1	41330584500	29-130	AA		B
VHERD16ESB1-1		32-107	AC		B
"		33- 57	AC		B
VHERD20ESB2-1		32-108	AC		B
"		33- 58	AC		B
VHERD30ESB1-1		32-110	AC		B
"		33- 59	AC		B
VHERD39ESB1-1		32-111	AC		B
VHH8D13///-1		33- 60	AK		B
VHi16163CLT-6	41330584900	25- 4	BA		B
VHi61256J12-1	41330585200	29- 39	AS		B
VHi74LS244NS1	41330585500	31- 11	AH		B
VHi74LS245NS1	41330585600	31- 12	AF		B
VHi74VHC08/-1	41330585900	29- 40	AE		B
"	41330585900	30- 63	AE		B
VHiH8S/2350FP	41330586800	29- 8	AY		B
"	41330586800	30- 64	AY		B
VHiHG73C025FD	41330587000	29- 9	BE		B
"	41330587000	30- 65	BE		B
VHiS61C25612	41330587300	30- 80	AN		B
VHiLC7935// -1	41330587600	24- 10	AN		B
VHiLH532C0Z-1	41330587800	30-123	AP		B
VHiLM358PS/-S	41330588000	29- 41	AC		B
"	41330588000	30- 66	AC		B
VHiM24C02WBN6	41330588500	29- 42	AG		B
"	41330588500	30- 67	AG		B
VHiM51953BL-1	41330588600	29- 43	AF		B
"	41330588600	30- 68	AF		B
VHiM66236FP-1	41330588700	29- 44	AT		B
"	41330588700	30- 69	AT		B
VHiMX27C2048D	41330589000	30- 70	AY		B
VHiMX27C4096D	41330589100	29- 7	AZ		B
VHiNJM2903M/-	41330589300	29- 45	AD		B
"	41330589300	30- 71	AD		B
VHiNJM3414AM1	41330589400	29- 46	AF		B
"	41330589400	30- 72	AF		B
VHiSLA7027MU/	41330590200	29-136	AQ		B
"	41330590200	30- 73	AQ		B
VHiSN74LS07NS	41330590300	29- 48	AF		B
"	41330590300	30- 74	AF		B
VHiTA7291S/-1	41330590400	29- 49	AF		B
"	41330590400	30- 75	AF		B
VHiTC74HC14FN	41330590500	29- 50	AH		B
"	41330590500	30- 76	AH		B
VHiTC74HC151F	41330590600	24- 11	AG		B
"	41330590600	29- 51	AG		B
"	41330590600	30- 77	AG		B
VHiTD62003AP1	41330590900	29- 53	AG		B
"	41330590900	30- 78	AG		B
VHiTD62064AF/	41330591000	29- 54	AM		B
VHiTD62503F/-	41330591100	29- 52	AG		B
"	41330591100	30- 79	AG		B
VHP1LHEE-002A	41330592000	24- 13	AC		B
VHP1LHLE-002A	41330592100	24- 12	AC		B
VHPCST338G-25	41330592200	24- 14	AP		B
VHPP1S53V/-1	41330592400	26- 4	AE		B
"	41330592400	27- 4	AE		B
"	41330592400	28- 4	AE		B
VHRS21ME5// -1		32-117	AN		B
VHSTF321S// -1		32-118	AG		B
"		33- 61	AG		B
VHSTM1661P/-F		32-119	AT		B
"		33- 62	AT		B
VHVC471D10A-1		32-120	AE		B
"		33- 63	AE		B
VHViCPN38// -1	41330592700	29-134	AF		B
"	41330592700	30- 81	AF		B
VRD-HT2HY101J	41330593500	31- 13	AA		C
VRD-ST2CD101J		32-121	AA		C
VRD-ST2CD103J		32-122	AA		C

PARTS CODE	OEM CODE	NO.	PRICE RANK	NEW MARK	PART RANK
VRD-ST2CD103J		33- 64	AA		C
VRD-ST2CD104J		32-123	AA		C
VRD-ST2CD105J		32-124	AA		C
VRD-ST2CD122J		32-125	AA		C
"		33- 65	AA		C
VRD-ST2CD123J		33- 66	AA		C
VRD-ST2CD124J		32-127	AB		C
VRD-ST2CD153J		32-128	AA		C
"		33- 67	AA		C
VRD-ST2CD181J		32-129	AA		C
VRD-ST2CD182J		33- 68	AA		C
VRD-ST2CD184J		32-131	AB		C
VRD-ST2CD203J		32-132	AB		C
VRD-ST2CD221J		32-133	AA		C
VRD-ST2CD223J		32-134	AA		C
"		33- 69	AA		C
VRD-ST2CD224J		32-135	AB		C
"		33- 70	AB		C
VRD-ST2CD273J		32-136	AA		C
VRD-ST2CD274J		32-137	AB		C
VRD-ST2CD330J		32-138	AA		C
"		33- 71	AA		C
VRD-ST2CD331J		32-139	AA		C
"		33- 72	AA		C
VRD-ST2CD333J		32-140	AA		C
"		33- 73	AA		C
VRD-ST2CD392J		32-141	AB		C
VRD-ST2CD393J		32-142	AA		C
VRD-ST2CD470J		32-144	AB		C
VRD-ST2CD472J		32-145	AA		C
"		33- 74	AA		C
VRD-ST2CD473J		33- 75	AA		C
VRD-ST2CD474J		33- 76	AA		C
VRD-ST2CD561J		32-146	AA		C
VRD-ST2CD563J		33- 77	AB		C
VRD-ST2CD564J		32-149	AA		C
VRD-ST2CD684J		33- 78	AB		C
VRD-ST2CD822J		33- 79	AA		C
VRD-ST2CD823J		32-152	AA		C
VRD-ST2HF104J		32-155	AA		C
"		33- 80	AA		C
VRH-ST2HB157K	41330593900	13- 2	AD		C
VRNHT2EK1301F	41330594000	29- 5	AB		C
VRNHT2EK2401F	41330594100	30- 82	AA		C
VRS-CY1JD100J	41330594300	29- 70	AA		C
"	41330594300	30- 84	AA		C
VRS-CY1JD101J	41330594400	29- 71	AA		C
"	41330594400	30- 85	AA		C
VRS-CY1JD102F	41330594500	29- 72	AA		C
"	41330594500	30- 86	AA		C
VRS-CY1JD102J	41330594600	29- 73	AA		C
"	41330594600	30- 87	AA		C
VRS-CY1JD103F	41330594700	29- 74	AB		C
"	41330594700	30- 88	AB		C
VRS-CY1JD103J	41330594800	29- 75	AA		C
"	41330594800	30- 89	AA		C
VRS-CY1JD105F	41330595000	29- 76	AA		C
"	41330595000	30- 90	AA		C
VRS-CY1JD122J	41330595400	29- 77	AA		C
"	41330595400	30- 91	AA		C
VRS-CY1JD152J	41330595600	29- 78	AA		C
"	41330595600	30- 92	AA		C
VRS-CY1JD202J	41330595900	29- 81	AA		C
"	41330595900	30- 93	AA		C
VRS-CY1JD203J	41330596000	29- 79	AA		C
"	41330596000	30- 94	AA		C
VRS-CY1JD205J	41330596100	29- 80	AA		C
"	41330596100	30- 95	AA		C
VRS-CY1JD222J	41330596400	29- 82	AA		C
VRS-CY1JD242J	41330596700	29- 83	AA		C
"	41330596700	30- 96	AA		C
VRS-CY1JD301J	41330596800	29- 84	AA		C
"	41330596800	30- 97	AA		C
VRS-CY1JD331J	41330597000	29- 85	AA		C
"	41330597000	30- 98	AA		C
VRS-CY1JD332J	41330597100	29- 86	AA		C
"	41330597100	30- 99	AA		C
VRS-CY1JD333J	41330597200	29- 87	AA		C
"	41330597200	30-100	AA		C
VRS-CY1JD470J	41330597400	29- 88	AA		C
"	41330597400	30-101	AA		C

PARTS CODE	OEM CODE	NO.	PRICE RANK	NEW MARK	PART RANK
VRS-CY1JD472J	41330597500	29- 89	AA		C
"	41330597500	30-102	AA		C
VRS-CY1JD473J	41330597600	29- 90	AA		C
"	41330597600	30-103	AA		C
VRS-CY1JD512J	41330597800	29- 91	AA		C
"	41330597800	30-104	AA		C
VRS-CY1JD621F	41330598000	29- 92	AA		C
"	41330598000	30-105	AA		C
VRS-CY1JD621J	41330598100	29- 93	AA		C
"	41330598100	30-106	AA		C
VRS-CY1JD680J	41330598300	29- 94	AA		C
"	41330598300	30-107	AA		C
VRS-CY1JD751J	41330598500	29- 95	AA		C
"	41330598500	30-108	AA		C
VRS-CY1JD752J	41330598600	29- 96	AA		C
"	41330598600	30-109	AA		C
VRS-CY1JD912J	41330599000	29- 97	AA		C
"	41330599000	30-110	AA		C
VRS-FT3AD121J		32-156	AA		C
VRS-HT3DA102J	41330599200	29- 66	AA		C
"	41330599200	30-111	AA		C
VRS-HT3DA1R0J	41330599300	29- 67	AB		C
"	41330599300	30-112	AB		C
VRS-HT3DAR22J	41330599400	29- 68	AA		C
"	41330599400	30-113	AA		C
VRS-TP2BD000J	41330599700	24- 15	AA		C
VRS-TP2BD121J	41330599800	29- 60	AA		C
"	41330599800	30-114	AA		C
VRS-TP2BD151J	41330599900	29- 61	AA		C
"	41330599900	30-115	AA		C
VRS-TP2BD221J	41330600000	29- 62	AB		C
"	41330600000	30-116	AB		C
VRS-TP2BD241J	41330600100	29- 63	AA		C
"	41330600100	30-117	AA		C
VRS-TP2BD432J	41330600200	29- 64	AA		C
"	41330600200	30-118	AA		C
VRS-TP2BD472J	41330600300	29- 65	AA		C
"	41330600300	30-119	AA		C
VRS-TS2AD100J	41330600500	25- 5	AA		C
VRS-TS2AD101J	41330600600	24- 16	AA		C
VRS-TS2AD102J	41330600700	24- 17	AA		C
VRS-TS2AD103J	41330600800	24- 18	AA		C
VRS-TS2AD121J	41330601000	24- 19	AA		C
VRS-TS2AD122J	41330601100	31- 14	AA		C
VRS-TS2AD151J	41330601200	24- 20	AA		C
VRS-TS2AD152J	41330601300	24- 21	AA		C
VRS-TS2AD220J	41330601600	31- 15	AA		C
VRS-TS2AD332J	41330601900	31- 16	AA		C
VRS-TS2AD472J	41330602100	24- 22	AA		C
VRS-TS2AD511J	41330602300	24- 23	AA		C
VS2SA1036KQRC	41330603600	29-119	AB		B
"	41330603600	30-120	AB		B
VS2SA673AC/-1		32-159	AE		B
VS2SB1136S/-1		32-160	AM		B
VS2SC1213-C1A		32-161	AC		B
"		33- 81	AC		B
VS2SC2785F/-1		32-162	AC		B
"		33- 82	AC		B
VS2SD1853-/-1	41330604000	29-122	AC		B
VS2SK1944//--1		33- 83	AS		B
VS2SK2082//--1		32-164	AT		B
VSDTA143XK/-1	41330604300	29-120	AB		B
"	41330604300	30-121	AB		B
VSDTB113ZK/-1	41330604400	24- 24	AD		B
VSDTC114EKA-1	41330604600	29-121	AC		B
"	41330604600	30-122	AC		B
[X]					
XBBSD30P04000	41330604900	14- 21	AA		C
XBBSD30P08000	41330605000	6- 8	AA		C
"	41330605000	10- 29	AA		C
"	41330605000	16- 34	AA		C
XBBSD40P06000	41330605100	14- 1	AA		C
XBBS30P08000	41330605200	1- 9	AA		C
"	41330605200	1- 29	AA		C
"	41330605200	6- 41	AA		C
"	41330605200	20- 1	AA		C
XBPBN40P08K00		32-165	AA		C
XBPSC30P06ES0	41330605300	17- 4	AA		C
XBPSC30P06K00	41330605400	10- 17	AA		C
XBPSD30P05K00	41330605500	5- 5	AA		C
XBPSD30P06KS0	41330605600	16- 24	AA		C

PARTS CODE	OEM CODE	NO.	PRICE RANK	NEW MARK	PART RANK
XBPSD30P06KS0	41330605600	20- 14	AA		C
"	41330605600	32-166	AA		C
XBPSD30P08000	41330605700	14- 29	AA		C
XBPSD30P08KS0	41330605800	11- 37	AA		C
XBPSD30P10KS0	41330605900	13- 10	AB		C
XBPSD40P06KS0	41330606000	8- 3	AA		C
XBPSE30P06000	41330606100	12- 44	AA		C
XEBSD26P05000	41330606200	22- 2	AA		C
XEBSD30P06000	41330606400	10- 15	AA		C
"	41330606400	16- 13	AA		C
"	41330606400	18- 5	AA		C
"	41330606400	20- 21	AA		C
XEBSD30P08000	41330606500	1- 27	AA		C
"	41330606500	11- 52	AA		C
"	41330606500	17- 8	AA		C
XEBSD30P10000	41330606600	4- 10	AA		C
"	41330606600	10- 10	AA		C
"	41330606600	22- 1	AA		C
XEBSD30P12000	41330606700	7- 1	AA		C
XEBSD30P30000	41330606800	10- 11	AA		C
XEBSD40P06000	41330606900	8- 6	AA		C
XEBSE30P06000	41330607200	3- 11	AA		C
"	41330607200	4- 8	AA		C
XEBSE30P08000	41330607300	1- 3	AA		C
"	41330607300	3- 9	AA		C
"	41330607300	13- 41	AA		C
"	41330607300	15- 2	AA		C
"	41330607300	16- 11	AA		C
"	41330607300	19- 9	AA		C
XEBSE30P10000	41330607400	11- 4	AA		C
"	41330607400	11- 44	AA		C
"	41330607400	12- 14	AA		C
XEBSE30P12000	41330607500	11- 40	AA		C
"	41330607500	13- 31	AA		C
XEBSE40P12000	41330607600	1- 5	AA		C
"	41330607600	6- 21	AA		C
"	41330607600	10- 30	AA		C
"	41330607600	11- 35	AA		C
"	41330607600	11- 45	AA		C
"	41330607600	12- 15	AA		C
"	41330607600	16- 36	AA		C
XEBSF30P08000	41330607900	20- 11	AA		C
XEPSD20P18000	41330608000	15- 5	AB		C
XESSD30P10000	41330608200	12- 11	AA		C
XHBSE30P06000	41330608500	4- 7	AA		C
"	41330608500	5- 13	AA		C
"	41330608500	12- 3	AA		C
"	41330608500	16- 23	AA		C
XHBSE30P08000	41330608600	6- 1	AA		C
XPSSJ20-07000	41330608800	11- 12	AA		C
"	41330608800	16- 6	AA		C
XPSSJ30-12000	41330608900	5- 24	AB		C
XRESP30-04000	41330609200	13- 39	AA		C
XRESP30-06000	41330609300	4- 16	AA		C
XRESP40-05000	41330609400	5- 11	AA		C
XRESP40-06000	41330609500	11- 14	AA		C
"	41330609500	16- 2	AA		C
"	41330609500	19- 7	AA		C
"	41330609500	20- 10	AA		C
XRESP50-06000	41330609600	5- 22	AA		C
"	41330609600	11- 6	AA		C
"	41330609600	20- 25	AA		C
XRESP70-08000	41330609700	5- 17	AA		C
"	41330609700	11- 48	AA		C
XUBUZ30P06000	41330609800	20- 27	AA		C
XUBUZ30P08000	41330609900	20- 34	AA		C

■ Index

OEM CODE	PARTS CODE	NO.	PRICE RANK	NEW MARK	PART RANK
[4]					
41330500200	CBTN-0004QS07	3- 5	AG	N	E
41330500300	CBTN-0009QS04	3- 2	AF	N	E
41330500700	CCAB-0003QS18	1- 1	AR	N	D
41330500800	CCAB-0003QS19	1- 1	AR	N	D
41330501000	CCASP0001RS54	19-901	BN	N	E
41330501100	CCLEZ0005RS51	15- 1	AQ		D
41330501200	CCOVH0004RS53	2-901	BN	N	E
41330501300	CDA i U0002QS01	5- 12	BG		D
"	CDA i U0002QS01	6- 14	BG		D
41330501400	CDA i U0008RS51	6- 7	BC		E
41330501500	CDRM-0002RS7A	22-901	BH		E
41330501700	CDSKA0009QS31	23-100	AL		D
41330501900	CF i X-0003QS12	1- 13	AM	N	D
41330502100	CFRM-0010RS53	16-502	BL	N	E
41330502400	CGERH0011RS51	14- 9	AE		E
41330502500	CHA i -0028RS51	17- 3	BE		C
41330502600	CHA i -0032RS51	17- 2	BE		C
41330502700	CHLDZ0010RS52	4- 18	AU		E
"	CHLDZ0010RS52	18-901	AU		E
41330502800	CHLDZ0019QS31	5- 2	BC		E
"	CHLDZ0019QS31	8-901	BC		E
41330502900	CLEVP0016QS01	23- 17	AL		C
41330503000	CPL TM0023QS03	16- 25	AG		C
41330503100	CPL TM0024QS01	11- 24	AG		C
41330503200	CPL TM0025QS01	5- 21	AH		C
41330503300	CPL TM0028QS01	8- 13	AH		C
41330503400	CPL TM0029QS01	8- 9	AH		C
41330503500	CPL TM0038QS02	11- 46	AG		C
41330503600	CPL TM0042QS02	14- 20	AY		C
41330503700	CPL TM0042RS51	14-901	BP		E
41330503800	CPL TM0042RS54	14-901	BP		E
41330503900	CPNL C0002QS0M	3- 10	AU	N	D
41330504200	CPWBF0012QS51	12- 41	BA		E
"	CPWBF0012QS51	31-901	BA		E
41330504300	CPWBF0013QSE1	12- 10	BF	N	E
"	CPWBF0013QSE1	25-901	BF	N	E
41330504400	CPWBF0013QSE2	12- 10	BM	N	E
"	CPWBF0013QSE2	25-901	BM	N	E
41330504500	CPWBF0014QSE2	3- 8	BC	N	E
"	CPWBF0014QSE2	24-901	BC	N	E
41330504600	CPWBF0014QSF2	3- 8	BC	N	E
"	CPWBF0014QSF2	24-901	BC	N	E
41330504700	CPWBF0017QS37	12- 13	BU		E
"	CPWBF0017QS37	33-901	BU		E
41330504800	CPWBF0039QS34	12- 13	BV		E
"	CPWBF0039QS34	32-901	BV		E
41330505100	CPWBF1177DS57	9- 4	AV		E
"	CPWBF1177DS57	26-901	AV		E
41330505200	CPWBF1177DS58	11- 1	AQ		E
"	CPWBF1177DS58	27-901	AQ		E
41330505300	CPWBF1177DS59	13- 13	AV		E
"	CPWBF1177DS59	28-901	AV		E
41330505400	CPWBF1177DS5A	6- 9	AT		E
41330505700	CPWBX0072QSEK	12- 4	CA	N	E
"	CPWBX0072QSEK	30-901	CA	N	E
41330505800	CPWBX0038QS45	12- 4	CA	N	E
"	CPWBX0038QS45	29-901	CA	N	E
41330505900	CREFL0003QS33	5- 3	BQ		E
41330506000	CRÖLP0015QS01	11- 20	AU		C
41330506100	CSL i -0103FC31	8- 7	AF		D
41330506200	CSÖU-0002RS55	16-501	BA	N	E
41330506400	CSW-M0004RS51	15- 4	AW		B
41330506500	CTHM-0019DS52	13- 12	AT		E
41330506600	CTME-0229FC03	13- 11	AG		C
41330506700	DHA i -0034QSZZ	26- 1	AQ		C
41330506800	DHA i -0035QSZZ	27- 1	AF		C
41330506900	DHA i -0036QSZZ	28- 1	AQ		C
41330507000	DHA i -0037QSZZ	10- 23	AS		C
"	DHA i -0037QSZZ	21- 7	AS		C
41330507100	DHA i -0040QSZZ	1- 7	AK		C
"	DHA i -0040QSZZ	9- 10	AK		C
"	DHA i -0040QSZZ	21- 4	AK		C
41330507200	DHA i -0041QSZZ	5- 6	AF		C
"	DHA i -0041QSZZ	6- 3	AF		C
"	DHA i -0041QSZZ	21- 1	AF		C
41330507300	DHA i -0042QSZZ	6- 5	AK		C
"	DHA i -0042QSZZ	21- 2	AK		C
41330507400	DHA i -0045QSZZ	14- 27	AD		C

OEM CODE	PARTS CODE	NO.	PRICE RANK	NEW MARK	PART RANK
"	DHA i -0045QSZZ	21- 5	AD		C
41330507500	DHA i -0046QSZZ	10- 18	AH		C
41330507600	DHA i -0047QSZZ	4- 12	AH		C
41330507700	DHA i -0048QSZZ	10- 19	AG		C
41330507800	DHA i -0050QSZZ	11- 27	AR		C
41330508100	DHA i -0057QSZZ	10- 24	AN		C
"	DHA i -0057QSZZ	12- 12	AN		C
"	DHA i -0057QSZZ	21- 8	AN		C
41330508200	DHA i -0058QSZZ	13- 16	AL		C
"	DHA i -0058QSZZ	21- 10	AL		C
41330508300	DHA i -0063QSZZ	12- 46	AG		C
41330508400	DHA i -0064QSZZ	12- 37	AV		C
"	DHA i -0064QSZZ	21- 3	AV		C
41330508500	DHA i -0066QSZZ	16- 22	AD		C
41330508800	DHA i -0155QSZZ	7- 2	AT		C
"	DHA i -0155QSZZ	9- 14	AT		C
41330509400	DHA i -0163QSZZ	12- 37	AS		C
"	DHA i -0163QSZZ	21- 3	AS		C
41330509500	DHA i -0164QSZZ	11- 56	AE		C
41330509600	DHA i -0169QSZZ	12- 38	AQ		C
41330509700	DHA i -0170QSZZ	21- 9	AS		C
41330510000	DHA i -0179QSZZ	12- 16	AN		C
41330510400	DUNTK0013QS11	7- 4	BT		E
41330510500	DUNTW0014RS24	13-901	BT		E
41330510600	DW i R-0466CSZZ	18- 8	BG		B
41330510700	GCAB-0004QSHZ	1- 18	AW	N	D
41330510800	GCAB-0005QSHZ	1- 10	AN	N	D
41330510900	GCAB-0006QSHZ	1- 17	AN	N	D
41330511000	GCAB-0007QSHZ	4- 1	AU	N	D
41330511200	GCAB-0010QSH1	1- 17	AM	N	D
41330511300	GCAB-0028QSHZ	1- 18	AY	N	D
41330511400	GCASP0001QSH2	19- 19	AY	N	D
41330511900	GCÖVH0003QSHZ	2- 1	AH	N	D
41330512000	GCÖVH0004QSHZ	2- 2	AV	N	D
41330512100	GDA i -0001QSHZ	11- 28	BD	N	D
"	GDA i -0001QSHZ	12- 17	BD	N	D
41330512200	GLEGG0064FCZZ	12- 18	AC		C
41330512300	JBTN-0005QSZZ	3- 4	AC		C
41330512400	JBTN-0008QSHZ	3- 6	AF	N	C
41330512500	JBTN-0010QSZZ	3- 3	AC		C
41330512900	JKNBZ0001QSZZ	10- 22	AE		C
41330513300	LANGT0006QSZZ	14- 28	AC		C
41330513400	LBNDJ0013FCZ1	7- 3	AA		C
"	LBNDJ0013FCZ1	12- 32	AA		C
"	LBNDJ0013FCZ1	16- 21	AA		C
"	LBNDJ0013FCZ1	17- 9	AA		C
41330513500	LBNDJ0037FCZ1	26- 2	AA		C
"	LBNDJ0037FCZ1	27- 2	AA		C
"	LBNDJ0037FCZ1	28- 2	AA		C
41330513600	LBNDJ0043FCZZ	10- 6	AA		C
41330513700	LBNDJ0067FCZZ	13- 17	AC		C
41330513800	LBÖSZ1031FCZZ	11- 15	AC		C
41330513900	LBÖSZ1508FCZZ	16- 15	AG		C
41330514000	LBÖSZ1509FCZ1	16- 28	AD		C
41330514100	LBÖSZ1510FCZZ	16- 18	AF		C
41330514200	LBÖSZ1851FCZZ	11- 13	AC		C
41330514300	LBRC-0055FCZZ	16- 10	AK		C
41330514400	LBSHZ0005QSZZ	12- 36	AC		C
41330514600	LBSHZ0303FCZZ	16- 9	AC		C
41330514700	LF i X-0004QSZZ	18- 15	AC		C
41330514800	LF i X-0284FCZZ	8- 11	AC		C
41330514900	LFRM-0003QSZZ	4- 9	AP		D
41330515000	LFRM-0004QSZZ	13- 7	AV		D
41330515100	LFRM-0005QSZZ	13- 30	AQ		D
41330515300	LFRM-0010QSHZ	16- 35	AM	N	D
41330515800	LFRM-0035QSZZ	10- 21	AZ		D
41330515900	LHLDR0081QSZZ	20- 24	AC		C
41330516000	LHLDW1226FCZZ	19- 3	AB		C
"	LHLDW1226FCZZ	23- 12	AB		C
41330516100	LHLDW1334FCZZ	10- 35	AA		C
41330516200	LHLDW2133SCZZ	6- 36	AC		C
41330516300	LHLDZ0009QSDZ	17- 1	AG		C
41330516400	LHLDZ0010QSZZ	18- 14	AL		C
41330516500	LHLDZ0011QSZZ	6- 4	AD		C
41330516600	LHLDZ0013QSZZ	8- 5	AD		C
41330516700	LHLDZ0016QSZZ	22- 5	AM		C
41330516800	LHLDZ0017QSZZ	11- 30	AD		C
41330516900	LHLDZ0018QSZZ	10- 13	AE		C
41330517000	LHLDZ0019QSZZ	8- 2	AN		C
41330517100	LHLDZ0050QSZZ	12- 1	AP		C
41330517200	LHLDZ0080QSZZ	11- 58	AC		C

OEM CODE	PARTS CODE	NO.	PRICE RANK	NEW MARK	PART RANK
41330517300	LPINS0010QSZZ	10- 26	AD		C
41330517400	LPLTM0003YSZZ	20- 33	AK		C
41330517500	LPLTM0016QSZZ	11- 42	AE		C
41330517600	LPLTM0017QSZZ	12- 1	AQ		C
41330517700	LPLTM0018QSZZ	12- 40	AN		C
41330517800	LPLTM0020QSZZ	12- 21	AL		C
41330517900	LPLTM0022QSZZ	13- 29	AF		C
41330518000	LPLTM0033QSZZ	22- 8	AF		C
41330518100	LPLTM0034QSZZ	22- 9	AE	N	C
41330518300	LPLTM0043QSZZ	4- 5	AD		C
41330518400	LPLTM0046QSZZ	11- 25	AE		C
41330518600	LPLTM0097QSZZ	6- 17	AE		C
41330518700	LPLTM0098QSZZ	6- 18	AE		C
41330518900	LPLTM0194QSZZ	20- 19	AC		C
41330519000	LPLTM2642FCGZ	19- 4	AD		C
41330519100	LPLTM5106FCZ	19- 1	AR		C
41330519200	LPLTM5111FCZZ	5- 4	AC		C
41330519300	LPLTM5422FCZZ	11- 59	AC		C
41330519400	LPLTP0009QSZZ	13- 38	AS		C
41330519500	LPLTP0010QSZZ	22- 24	AD		C
41330520200	LPLTP5107FCZZ	19- 5	AH		C
41330520300	LPLTP5108FCZZ	19- 13	AH		C
41330520400	LRALM0002QSZZ	5- 15	AF		C
41330520500	LRALM0003QSZZ	5- 14	AG		C
41330520600	LRALP0001QSZZ	11- 34	AM		C
41330520700	LSOU-0001QSHZ	1- 2	AW	N	D
41330520800	LSOU-0002QSHZ	16- 48	AL	N	D
41330520900	LSOU-0003QSHZ	16- 49	AH	N	D
41330521200	LSOU-0008QSHZ	1- 4	AG	N	D
41330521600	LSTPP0116FCZZ	13- 18	AA		C
41330521700	LSTPP0161FCZZ	19- 18	AB		C
41330521800	LSTPP0300FCZZ	16- 37	AB		C
41330521900	LX-BZ0001QSZZ	23- 16	AD		C
41330522000	LX-BZ0004QSZZ	5- 16	AB		C
"	LX-BZ0004QSZZ	6- 6	AB		C
41330522100	LX-BZ0010QSZZ	13- 8	AB		C
41330522200	LX-BZ0011QSZZ	13- 42	AB		C
41330522500	LX-BZ0049FCZZ	5- 29	AB		C
41330522600	LX-BZ0324FCZZ	5- 27	AA		C
41330522700	LX-BZ0335FCZZ	8- 8	AA		C
41330522800	LX-BZ0656FCZZ	20- 22	AD		C
41330522900	LX-BZ0700FCZZ	11- 54	AA		C
41330523000	LX-BZ0735FCZZ	13- 36	AA		C
41330523100	LX-BZ3006SC0S	10- 28	AA		C
41330523200	LX-WZ0023FCZZ	11- 43	AA		C
41330523300	LX-WZ0119FCZZ	5- 32	AA		C
41330523400	LX-WZ0313FCZZ	13- 26	AA		C
41330523500	LX-WZ0329FCZZ	22- 13	AB		C
41330523600	LX-WZ2028SCZZ	11- 51	AA		C
"	LX-WZ2028SCZZ	19- 10	AA		C
41330524200	MARMP0173FCZZ	16- 4	AC		C
41330524300	MARMP0204FCZ1	16- 39	AF		C
41330524400	MARMP0205FCZZ	16- 38	AF		C
41330524600	MHNG-0002QSZZ	16- 40	AC		C
41330524900	MLEVP0005QSZZ	9- 5	AD		C
41330525000	MLEVP0006QSZZ	11- 2	AD		C
41330525400	MLEVP0014QSZZ	13- 28	AF		C
41330525500	MLEVP0015QSZZ	13- 23	AF		C
41330525700	MLEVP0048QSZZ	11- 49	AD		C
41330525900	MSPRC0016QSZZ	17- 7	AC		C
41330526000	MSPRC0017QSZZ	17- 5	AC		C
41330526100	MSPRC0018QSZZ	17- 6	AC		C
41330526200	MSPRC0021QSZZ	9- 7	AB		C
41330526300	MSPRC0022QSZZ	9- 9	AC		C
41330526400	MSPRC0023QSZZ	14- 15	AB		C
41330526500	MSPRC0024QSZZ	10- 8	AA		C
41330526600	MSPRC0026QSZZ	11- 3	AB		C
41330526700	MSPRC0027QSZZ	18- 10	AC		C
41330526800	MSPRC0028QSZZ	18- 11	AC		C
41330526900	MSPRC0030QSZZ	4- 14	AC		C
41330527000	MSPRC0031QSZZ	4- 13	AB		C
41330527100	MSPRC0032QSZZ	4- 11	AB		C
41330527200	MSPRC0040QSZZ	5- 19	AB		C
41330527300	MSPRC0045QSZZ	22- 30	AA		C
41330527400	MSPRC0047QSZZ	11- 31	AA		C
41330527500	MSPRC0048QSZZ	16- 41	AB		C
41330527600	MSPRC0049QSZZ	16- 14	AC		C
41330527700	MSPRC0051QSZZ	18- 12	AA		C
41330527800	MSPRC0053QSZZ	14- 3	AB		C
41330527900	MSPRC0055QSZZ	13- 25	AC		C
41330528200	MSPRC0077QSZZ	11- 41	AB		C

OEM CODE	PARTS CODE	NO.	PRICE RANK	NEW MARK	PART RANK
41330528300	MSPRC0108QSZZ	19- 15	AC		C
41330528400	MSPRC0109QSZZ	16- 50	AC		C
41330528700	MSPRC0161QSZZ	11- 16	AF		C
41330528800	MSPRC1145FCZZ	19- 17	AA		C
41330528900	MSPRC1315FCZ1	16- 16	AD		C
41330529000	MSPRC1316FCZ1	11- 11	AE		C
"	MSPRC1316FCZ1	16- 27	AE		C
41330529100	MSPRC1318FCZ1	14- 23	AA		C
"	MSPRC1318FCZ1	16- 30	AA		C
41330529200	MSPRC1873FCZ1	19- 16	AB		C
41330529300	MSPRC2175FCZZ	16- 33	AA		C
41330529800	MSPRD0076QSZZ	4- 6	AD		C
41330530000	MSPRD0158QSZZ	11- 50	AB		C
41330530200	MSPRK0001YSZZ	20- 23	AB		C
41330530300	MSPRP0015QSZZ	3- 7	AC		C
41330530400	MSPRP0033QSZZ	13- 6	AD		C
41330530500	MSPRP0034QSZZ	13- 14	AE		C
41330530900	MSPRP0110QSZZ	15- 6	AD		C
41330531100	MSPRT0019QSZZ	7- 5	AB		C
41330531200	MSPRT0020QSZZ	9- 2	AB		C
41330531300	MSPRT0029QSZZ	4- 3	AC		C
41330531400	MSPRT0054QSZZ	13- 37	AC		C
41330532000	MSPRT0513FCZ1	18- 7	AA		C
41330532100	NBLT-0005QSZZ	10- 5	AH		B
41330532200	NBLTT0001QSZZ	10- 20	AH		B
41330532300	NBLTT0002QSZZ	5- 26	AH		B
41330532800	NBRGC0020QSZZ	20- 16	AH		C
41330532900	NBRGC0021QSZZ	20- 13	AD		C
41330533000	NBRGC0100FCZ1	11- 8	AC		C
41330533100	NBRGC0133FCZ1	5- 31	AC		C
41330533200	NBRGC0387FCZ1	5- 23	AC		C
41330533300	NBRGC0579FCZZ	10- 2	AE		C
41330533500	NBRGP0260FCZ1	13- 24	AD		C
41330533600	NBRGP0299FCZZ	22- 21	AC		C
41330533700	NBRGP0562FCZZ	11- 19	AD		C
41330533800	NBRGP0567FCZZ	13- 20	AG		C
41330533900	NCPL-0003QSZZ	22- 12	AC		C
41330534000	NCPL-0006QSZZ	10- 7	AC		C
41330534100	NFANP0001QSZZ	10- 12	AX		B
41330534200	NGERH0001YSZZ	20- 12	AD		C
41330534300	NGERH0007QSZZ	14- 11	AH		C
41330534400	NGERH0008QSZZ	14- 16	AL		C
41330534500	NGERH0009QSZZ	14- 7	AD		C
41330534600	NGERH0010QSZZ	14- 6	AD		C
41330534700	NGERH0012QSZZ	14- 18	AE		C
41330534800	NGERH0013QSZZ	14- 19	AG		C
41330534900	NGERH0014QSZZ	14- 8	AD		C
41330535000	NGERH0015QSZZ	14- 10	AD		C
41330535100	NGERH0016QSZZ	14- 12	AD		C
41330535200	NGERH0017QSZZ	14- 17	AD		C
41330535300	NGERH0018QSZZ	14- 14	AC		C
41330535400	NGERH0019QSZZ	14- 13	AD		C
41330535500	NGERH0020QSZZ	11- 9	AG		C
41330535600	NGERH0021QSZZ	16- 46	AD		C
41330535700	NGERH0022QSZZ	11- 21	AC		C
41330535800	NGERH0025QSZZ	11- 23	AD		C
41330535900	NGERH0026QSZZ	11- 22	AD		C
41330536000	NGERH0027QSZZ	5- 18	AH		C
41330536100	NGERH0036QSZZ	22- 28	AC		C
41330536200	NGERH0037QSZZ	22- 27	AC		C
41330536300	NGERH0038QSZZ	22- 26	AC		C
41330536400	NGERH0039QSZZ	22- 25	AE		C
41330536700	NGERH0050QSZZ	14- 4	AD		C
41330536900	NGERH0135QSZZ	20- 9	AD		C
41330537000	NGERH0145QSZZ	20- 15	AD		C
41330537100	NGERH0193FCZZ	19- 11	AB		C
41330537200	NGERH0540FCZ3	13- 19	AD		C
41330537300	NGERH0972FCZZ	16- 19	AB		C
41330537400	NGERH0990FCZZ	16- 7	AB		C
41330537500	NGERH0991FCZZ	16- 20	AC		C
41330537600	NGERH0992FCZZ	16- 3	AB		C
41330537700	NGERH1132FCZZ	11- 18	AH		C
41330537800	NGERH1169FCZZ	11- 47	AF		C
41330538100	NPLYZ0001QSZZ	10- 4	AE		C
41330538200	NPLYZ0002QSZZ	14- 5	AC		C
41330538300	NPLYZ0003QSZZ	5- 28	AM		C
41330538400	NPLYZ0004QSZZ	5- 25	AG		C
41330538500	NPLYZ0005QSZZ	5- 9	AG		C
41330538600	NPLYZ0006QSZZ	5- 10	AD		C
41330538700	NPLYZ0007QSZZ	8- 4	AG		C
41330539000	NRÖLi0014QSZZ	13- 21	AZ		C

OEM CODE	PARTS CODE	NO.	PRICE RANK	NEW MARK	PART RANK
41330539300	NRÖLM0074QSZZ	20- 31	AZ		C
41330539400	NRÖLP0007QSZ1	10- 1	AQ		C
41330539700	NRÖLP0012QSZ1	10- 3	AS		C
41330540000	NRÖLP0046QSZZ	9- 1	AC		C
41330540100	NRÖLP0073QSZZ	20- 5	AS		C
41330540200	NRÖLP1008FCZZ	16- 5	AK		C
41330540400	NRÖLP1122FCZZ	4- 17	AF		C
"	NRÖLP1122FCZZ	9- 8	AF		C
41330540500	NRÖLR0013QSZZ	11- 7	AQ		C
41330540600	NRÖLR0028QSZZ	13- 27	AZ		C
41330540700	NRÖLR0922FCZZ	16- 1	AR		C
41330540800	NSFTZ0003QSZZ	22- 33	AD		C
41330540900	NSFTZ0004QSZZ	22- 15	AK		C
41330541000	NSFTZ0006QSZ1	4- 15	AG		C
41330541100	NSFTZ0008QSZZ	5- 30	AQ		C
41330541600	NSFTZ2311FCZZ	16- 8	AU		C
41330541700	PBOX-0012QSZZ	20- 17	AN		D
41330541800	PBRSR0002QSZ1	6- 13	AH		B
41330542000	PBRSR0004QSZZ	13- 4	AE		B
41330542100	PBRSR0022QSZ1	20- 35	AF	N	B
41330542200	PCAPH0008QSZZ	22- 34	AC		C
41330542300	PCAPH1001ACZZ	12- 42	AE		C
41330542400	PCASZ0002QSZZ	18- 16	AL		D
41330542500	PCASZ0003QSZZ	6- 2	AK		C
41330542600	PCASZ0004QSZZ	22- 4	AK		C
41330542700	PCÖVP0007QSHZ	11- 38	AE	N	D
41330542800	PCÖVP0008QSZZ	11- 60	AE		C
41330542900	PCÖVP0009QSZZ	11- 61	AE		C
41330543000	PCÖVP0010QSZZ	13- 5	AG		D
41330543100	PCÖVP0011QSZZ	13- 15	AK		D
41330543200	PCÖVP0013QSZZ	11- 32	AD		D
41330543300	PCÖVP0018QSZZ	22- 23	AG		C
41330543400	PCÖVP0019QSHZ	16- 44	AH	N	D
41330543500	PCÖVP0023QSZ1	15- 3	AK		D
41330544100	PCÖVP0044QSZ1	12- 5	AP		D
41330544300	PCÖVP0046QSZ3	12- 7	AE		D
41330544500	PCÖVP0047QSHZ	1- 28	AH	N	D
41330544600	PCÖVP0048QSHZ	1- 30	AE	N	D
41330544800	PCÖVP0051QSZZ	11- 53	AF		D
41330544900	PCÖVP0081QSZZ	20- 3	AF		D
41330545000	PCÖVP0082QSZZ	20- 20	AD		D
41330545100	PCUSS0009QSZZ	8- 10	AA		C
41330545300	PCUSS0011QSZZ	6- 40	AB		C
41330545400	PCUSS0201FCZZ	8- 14	AA		C
41330546000	PFiLZ0002QSZZ	1- 23	AL		D
41330546100	PFiLZ0007QSZ2	3- 1	AS	N	D
41330546200	PFTA-0003QSZZ	12- 8	AF		D
41330546400	PFTA-0006QSHZ	1- 26	AG	N	D
41330546500	PGiDH0025QSZ1	18- 4	AG		C
41330546600	PGiDH0026QSZZ	13- 34	AE		C
41330546800	PGiDM0006QSZZ	9- 6	AM		C
41330546900	PGiDM0007QSZZ	6- 15	AP		C
41330547000	PGiDM0008QSZZ	4- 4	AD		C
41330547100	PGiDM0009QSZZ	10- 25	AG		C
41330547200	PGiDM0010QSZ1	11- 5	AG		C
41330547300	PGiDM0011QSZZ	18- 2	AE		C
41330547400	PGiDM0014QSZZ	16- 12	AF		C
41330547700	PGiDM0017QSHZ	16- 43	AE	N	C
41330547800	PGiDM0018QSHZ	16- 42	AE	N	C
41330548100	PGiDM0023QSZZ	13- 1	AP		C
41330548500	PGiDM0059QSHZ	6- 37	AF	N	C
41330548600	PGiDM0060QSHZ	6- 38	AF	N	C
41330548700	PGiDM0090QSZZ	20- 7	AH		C
41330548800	PGLSP0001QSZZ	1- 16	AX		B
41330548900	PGLSP0002QSZZ	1- 37	AU		B
41330549000	PGSK-0001QSZZ	6- 10	AG		C
41330549100	PGSK-0006QSZZ	6- 12	AE		C
41330549200	PGSK-1004DCZZ	6- 23	AF		C
41330549300	PGUMS0004QSZZ	6- 39	AA		C
41330549400	PMiR-0002QSZZ	8- 12	AN		B
41330549500	PMLT-0008QSZZ	20- 32	AC		C
41330549600	PMLT-0015QSZZ	22- 17	AA		C
41330549700	PMLT-0016QSZZ	22- 18	AD		C
41330549800	PMLT-0017QSZZ	22- 20	AC		C
41330549900	PMLT-0018QSZ1	22- 14	AC		C
41330550000	PMLT-0024QSZZ	1- 22	AC		C
41330550100	PMLT-0026QSZZ	10- 39	AC		C
41330550200	PMLT-0028QSZZ	12- 34	AC		C
41330550300	PPiPP0003QSZZ	11- 17	AD		C
41330550400	PPiPP0004QSZZ	22- 31	AH		C
41330550700	PPiPP0109FCZ1	11- 10	AC		C

OEM CODE	PARTS CODE	NO.	PRICE RANK	NEW MARK	PART RANK
"	PPiPP0109FCZ1	16- 17	AC		C
41330550800	PPiPP0175FCZZ	16- 26	AC		C
41330550900	PSEL-0021QSZZ	22- 19	AF		C
41330551000	PSEL-0022QSZ1	22- 16	AF		C
41330551100	PSEL-0080QSZZ	20- 28	AE		C
41330551200	PSEL-0082QSZZ	20- 18	AC		C
41330551300	PSEL-0083QSZ1	20- 6	AF		C
41330551400	PSEL-0084QSZ1	20- 8	AA		C
41330551500	PSEL-0096QSZZ	20- 30	AA	N	C
41330551600	PSEL-0110QSZZ	20- 2	AF	N	C
41330551700	PSHEP0019QSZ1	18- 3	AC		C
41330551800	PSHEP0020QSZZ	18- 13	AB		C
41330551900	PSHEP0021QSZZ	18- 6	AA		C
41330552000	PSHEP0023QSZZ	13- 35	AF		C
41330552300	PSHEP0042QSZZ	6- 11	AC		C
41330552500	PSHEP0047QSZZ	13- 40	AC		C
41330552600	PSHEP0061QSZZ	19- 8	AA		C
41330552900	PSHEZ0018QSZZ	18- 1	AF		C
41330553000	PSHEZ0026QSZZ	1- 14	AE		C
41330553100	PSHEZ0027QSZZ	1- 15	AC		C
41330553200	PSHEZ0029QS11	20- 29	AC		C
41330553300	PSHEZ0034QSZ1	2- 3	AV		D
41330553500	PSHEZ0045QSZZ	13- 33	AC		C
41330553600	PSHEZ0048QSZZ	8- 1	AE		C
41330553700	PSHEZ0066QSZZ	6- 20	AE		C
41330553800	PSHEZ0072QSZZ	6- 33	AE		C
41330553900	PSHEZ0074QSZZ	6- 24	AE		C
41330554000	PSHEZ0075QSZZ	15- 7	AC		C
41330554100	PSHEZ0079QSHZ	1- 25	AD	N	C
41330554200	PSHEZ0080QSZZ	9- 11	AE		C
41330554300	PSHEZ0081QSZ1	6- 28	AD		C
41330554400	PSHEZ0082QSZZ	6- 29	AB		C
41330554500	PSHEZ0093QSHZ	1- 31	AC	N	C
41330554600	PSHEZ0094QSHZ	1- 32	AB	N	C
41330554700	PSHEZ0095QSZZ	1- 33	AD		C
41330554900	PSHEZ0111QSZZ	6- 30	AC		C
41330555100	PSHEZ0115QSZ1	11- 55	AC		C
41330555200	PSHEZ0141QSZZ	1- 35	AC		C
"	PSHEZ0141QSZZ	21- 6	AC		C
41330555300	PSHEZ0163QSZ1	12- 25	AC		C
41330555500	PSHEZ0181QSHZ	1- 38	AC	N	C
41330556100	PSHEZ0195QSZZ	12- 35	AD		C
41330556200	PSHEZ2026FCZ1	11- 29	AB		C
41330556300	PSHEZ2174FCZZ	11- 36	AB		C
41330556400	PSHEZ4142FCZZ	19- 2	AC		C
41330556500	PSHT-0004QSZ1	22- 29	AC		C
41330556700	PSPAZ0696FCZZ	22- 32	AC		C
41330557100	PTME-0002QSZZ	14- 24	AD		C
41330557200	PTME-0003QSZ1	14- 26	AD		C
41330557300	PTME-0004QSZZ	4- 2	AG	N	C
41330557600	PTME-0178FCZ1	16- 32	AC		C
41330557700	PTME-0179FCZZ	16- 31	AC		C
41330557800	PTME-0255FCZZ	19- 6	AG		C
41330557900	PTME-0256FCZZ	19- 14	AG		C
41330558000	PTPE-0003QSZ1	22- 7	AF		C
41330558100	PTPE-0010QSZZ	1- 34	AC		C
41330558300	PWiR-0001QSZZ	13- 3	AF		C
41330558400	PWiR-0003QSZZ	5- 1	AR		C
41330558500	QACCV6621QCN1	23- 3	AU		B
41330558600	QCNCM0011QSZZ	25- 1	AH		C
41330558700	QCNCM0038QSZZ	29- 33	AH		C
"	QCNCM0038QSZZ	30- 1	AH		C
41330558900	QCNCM0861FCZZ	24- 1	AB		C
41330559000	QCNCM0879FCZZ	29- 36	AF		C
41330559100	QCNCM0923FC10	29- 4	AE		C
"	QCNCM0923FC10	30- 2	AE		C
41330559200	QCNCM0923FC14	29- 13	AE		C
41330559300	QCNCM0923FC18	29- 14	AF		C
"	QCNCM0923FC18	30- 3	AF		C
41330559400	QCNCM0923FC24	29- 15	AF		C
"	QCNCM0923FC24	30- 4	AF		C
41330559500	QCNCM1005MCZZ	29- 16	AB		C
"	QCNCM1005MCZZ	30- 5	AB		C
41330559600	QCNCM1069AC0D	29- 17	AC		C
"	QCNCM1069AC0D	30- 6	AC		C
41330559700	QCNCM1119LC0C	29- 18	AC		C
41330559800	QCNCM1119LC0E	29- 19	AC		C
"	QCNCM1119LC0E	30- 7	AC		C
41330559900	QCNCM2401SC0C	29- 20	AB		C
"	QCNCM2401SC0C	30- 8	AB		C
41330560000	QCNCM2401SC0E	29- 21	AC		C

OEM CODE	PARTS CODE	NO.	PRICE RANK	NEW MARK	PART RANK
"	QCNCM2401SC0E	30- 9	AC		C
41330560100	QCNCM2401SC0F	29- 22	AB		C
"	QCNCM2401SC0F	30- 10	AB		C
41330560200	QCNCM7014SC0C	29- 23	AA		C
"	QCNCM7014SC0C	30- 11	AA		C
41330560300	QCNCM7014SC0D	29- 24	AB		C
"	QCNCM7014SC0D	30- 12	AB		C
41330560400	QCNCM7014SC0E	29- 25	AB		C
"	QCNCM7014SC0E	30- 13	AB		C
41330560600	QCNCP0340QCZZ	29- 26	AC		C
"	QCNCP0340QCZZ	30- 14	AC		C
41330560700	QCNCW0015QSZZ	29- 34	AE		C
"	QCNCW0015QSZZ	30- 15	AE		C
41330560800	QCNCW0024QSZZ	29- 32	AF		C
"	QCNCW0024QSZZ	30- 16	AF		C
41330560900	QCNCW0033QSZZ	29- 35	AV		C
41330561100	QCNCW0946FCZZ	31- 1	AH		C
41330561200	QCNCW0948FCZ5	29- 27	AC		C
41330561300	QCNCW1124LC0D	29- 28	AB		C
"	QCNCW1124LC0D	30- 17	AB		C
41330561400	QCNCW1124LC0H	29- 29	AC		C
"	QCNCW1124LC0H	30- 18	AC		C
41330561500	QCNCW1124LC1H	29- 30	AD		C
"	QCNCW1124LC1H	30- 19	AD		C
41330561600	QCNCW1124LC2F	30- 20	AD		C
"	QCNCW1124LC2F	31- 2	AD		C
41330561700	QCNCW1124LC3A	29- 31	AE		C
41330561900	QCNCW1132LC1H	24- 2	AD		C
41330562300	QSLP-0005QSZZ	10- 16	AE		C
41330562400	QSLP-0006QSZZ	10- 14	AE		C
41330562500	QSLP-0007QSZZ	18- 9	AC		C
41330562700	QSÖCZ0002GCZZ	30- 21	AD		C
41330562800	QSÖCZ0002QSZZ	29- 37	AD		C
41330562900	QSÖCZ0003QSZZ	29- 38	AD		C
41330563100	QSÖCZ6408ACZZ	30- 22	AB		C
41330563200	QSW-B0003QSZZ	11- 26	AF		B
"	QSW-B0003QSZZ	11- 57	AF		B
41330563300	QSW-P0005QSZZ	24- 3	AC		B
41330563500	QTANP0004QSZZ	22- 3	AD		C
41330563600	QTANP0005QSZZ	22- 6	AC		C
41330563800	RC-K1E104HCZZ	31- 3	AB		C
41330564000	RCiLZ0003QSZZ	29-132	AC		C
"	RCiLZ0003QSZZ	30- 23	AC		C
41330564100	RCiLZ0004QSZZ	29-131	AE		C
"	RCiLZ0004QSZZ	30- 24	AE		C
41330564300	RCiLZ1032CCZZ	29-137	AD		C
41330564700	RCÖRF0002QSZZ	6- 22	AE		C
"	RCÖRF0002QSZZ	9- 12	AE		C
41330564800	RCÖRF0003QSZZ	12- 33	AL		C
41330565300	RCRSZ0001QSZZ	29- 10	AG		B
"	RCRSZ0001QSZZ	30- 25	AG		B
41330565400	RCRSZ0003QSZZ	29- 12	AP		B
"	RCRSZ0003QSZZ	30- 26	AP		B
41330565500	RCRSZ0011QSZZ	29- 11	AP		B
"	RCRSZ0011QSZZ	30- 27	AP		B
41330565900	RDTCM0013QSZZ	20- 26	AY		B
41330566100	RDTCT0128FCZZ	13- 9	AR		B
41330566300	RFiLZ0004QSZZ	29-133	AM		C
"	RFiLZ0004QSZZ	30- 28	AM		C
41330566500	RH-DZ0016FCZZ	29-124	AB		B
"	RH-DZ0016FCZZ	30- 29	AB		B
41330566600	RLMPU0011QSZZ	13- 22	BA		B
41330566700	RMÖTD0009QSZZ	10- 9	AU		A
41330566800	RMÖTP0010QSZZ	14- 2	BN		B
41330566900	RMÖTP0011QSZZ	5- 20	BA		B
41330567100	RMPTW4100QCJJ	29- 58	AA		B
"	RMPTW4100QCJJ	30- 30	AA		B
41330567200	RMPTW4102QCJJ	29- 55	AB		B
"	RMPTW4102QCJJ	30- 31	AB		B
41330567400	RMPTW4203QCJJ	29- 56	AA		B
"	RMPTW4203QCJJ	30- 32	AA		B
41330567900	RMPTW4300QCJJ	29- 59	AA		B
"	RMPTW4300QCJJ	30- 33	AA		B
41330568100	RMPTW4470QCJJ	29- 57	AB		B
"	RMPTW4470QCJJ	30- 34	AB		B
41330568300	RPLU-0001QSZZ	14- 22	AN		B
41330568400	RPLU-0002QSZZ	14- 25	AN		B
41330568500	RPLU-0003QSZZ	16- 29	AN		B
41330568800	RPLU-0016QSZZ	14- 22	AN		B
41330569000	RRLYD342CQCZZ	29-135	AM		B
41330569500	SPAKA0047QSZZ	23- 9	AX		D

OEM CODE	PARTS CODE	NO.	PRICE RANK	NEW MARK	PART RANK
41330569600	SPAKA0048QSZZ	23- 2	AP		D
41330569700	SPAKA0049QSZZ	23- 1	AP		D
41330569800	SPAKA0050QSZZ	23- 11	AE		D
41330569900	SPAKA0051QSZZ	23- 14	AC		D
41330570000	SPAKA0068QSZZ	23- 18	AD		D
41330570100	SPAKA0106QSZZ	23- 9	AY		D
41330570200	SPAKA0208QSZZ	23- 1	AN		D
41330570300	SPAKA0209QSZZ	23- 2	AQ		D
41330572900	SSAKA2347QCZZ	23- 19	AB		D
41330573100	SSAKA5003CCZZ	23- 5	AA		D
41330573400	SSAKZ0002QSZZ	23- 6	AF		D
41330574000	TCAUA0770FCZZ	1- 19	AB		D
41330574100	TCAUH0007QSZZ	15- 8	AD		C
41330574200	TCAUH0992FCZ1	13- 32	AF		D
41330574400	TiNSE0644QSZZ	23- 20	AW		D
41330574700	TiNSX0633QSZZ	23- 20	AY		D
41330575100	TLABH0301QSZZ	1- 11	AG	N	C
41330575200	TLABZ0058QSZZ	1- 8	AD		C
41330575300	TLABZ3405FCZZ	29- 6	AB		D
"	TLABZ3405FCZZ	30- 35	AB		D
41330575400	TLABZ3568FCZZ	19- 12	AB		D
41330575600	TTAG-0002QSZZ	23- 13	AB		D
41330575700	TTAG-0003QSZZ	23- 15	AC		D
41330575900	UBNDA0001FCZZ	23- 4	AA		C
41330576000	UCLEZ0006QS11	20- 4	AF		D
41330576100	UCLEZ0007QSZZ	22- 10	AU		C
41330576300	VCCCCY1HH101J	29- 98	AA		C
"	VCCCCY1HH101J	30- 36	AA		C
41330576400	VCCCCY1HH120J	29- 99	AA		C
"	VCCCCY1HH120J	30- 37	AA		C
41330576600	VCCCCY1HH180J	29-100	AA		C
"	VCCCCY1HH180J	30- 38	AA		C
41330576900	VCCCCY1HH330J	29-101	AA		C
"	VCCCCY1HH330J	30- 39	AA		C
41330577000	VCCCCY1HH470J	29-102	AA		C
"	VCCCCY1HH470J	30- 40	AA		C
41330577400	VCCCTV1HH101J	31- 4	AA		C
41330577500	VCCCTV1HH201J	24- 4	AA		C
41330577600	VCCCTV1HH330J	31- 5	AA		C
41330577800	VCCCTV1HH561J	31- 6	AA		C
41330578700	VCEAGA1CW106M	29-109	AA		C
"	VCEAGA1CW106M	30- 41	AA		C
41330578800	VCEAGA1CW107M	29-110	AC		C
"	VCEAGA1CW107M	30- 42	AC		C
41330578900	VCEAGA1CW226M	29-111	AB		C
"	VCEAGA1CW226M	30- 43	AB		C
41330579000	VCEAGA1CW476M	29-112	AB		C
"	VCEAGA1CW476M	30- 44	AB		C
41330579100	VCEAGA1EW106M	29-113	AA		C
"	VCEAGA1EW106M	30- 45	AA		C
41330579200	VCEAGA1EW476M	29-114	AA		C
"	VCEAGA1EW476M	30- 46	AA		C
41330579300	VCEAGA1HW474M	29-115	AB		C
"	VCEAGA1HW474M	30- 47	AB		C
41330579400	VCEAGA1VW106M	29-116	AA		C
"	VCEAGA1VW106M	30- 48	AA		C
41330579500	VCEAGA1VW226M	29-117	AC		C
"	VCEAGA1VW226M	30- 49	AC		C
41330579700	VCEAGA1VW476M	29-118	AB		C
"	VCEAGA1VW476M	30- 50	AB		C
41330579900	VCEAGU1CW476M	31- 7	AB		C
41330580300	VCEAJU1CW476M	24- 5	AB		C
41330580900	VCKYCY1CF104Z	29-103	AA		C
"	VCKYCY1CF104Z	30- 51	AA		C
41330581000	VCKYCY1EB223K	29-106	AA		C
"	VCKYCY1EB223K	30- 52	AA		C
41330581200	VCKYCY1HB102K	29-104	AA		C
"	VCKYCY1HB102K	30- 53	AA		C
41330581400	VCKYCY1HB222K	29-105	AA		C
"	VCKYCY1HB222K	30- 54	AA		C
41330581700	VCKYCY1HB471K	29-107	AB		C
"	VCKYCY1HB471K	30- 55	AB		C
41330582000	VCKYPU1HB102K	26- 3	AA		C
"	VCKYPU1HB102K	27- 3	AA		C
"	VCKYPU1HB102K	28- 3	AA		C
41330582100	VCKYTV1HB104Z	25- 2	AA		C
41330582200	VCKYTV1EB104K	24- 6	AA		C
41330582300	VCKYTV1HB102K	24- 7	AA		C
"	VCKYTV1HB102K	31- 8	AA		C
41330582400	VCKYTV1HB223K	24- 8	AA		C
"	VCKYTV1HB223K	25- 3	AA		C

OEM CODE	PARTS CODE	NO.	PRICE RANK	NEW MARK	PART RANK
"	VCKYTV1HB223K	31- 9	AA		C
41330582500	VCKYTW1HB104K	29-108	AC		C
"	VCKYTW1HB104K	30- 56	AC		C
41330582700	VCQYNA1HM104K	30- 57	AB		C
41330583300	VHD1N4005E/-1	29-129	AB		B
"	VHD1N4005E/-1	30- 58	AB		B
41330583600	VHDDA204K//--1	29-127	AC		B
"	VHDDA204K//--1	30- 59	AC		B
41330583700	VHDDAN202U/-1	29-125	AB		B
"	VHDDAN202U/-1	30- 60	AB		B
41330583900	VHDDAP202U/-1	29-126	AB		B
"	VHDDAP202U/-1	30- 61	AB		B
41330584000	VHDDSS133//--1	24- 9	AA		B
"	VHDDSS133//--1	29-128	AA		B
"	VHDDSS133//--1	30- 62	AA		B
"	VHDDSS133//--1	31- 10	AA		B
41330584500	VHEMTZJ22B/-1	29-130	AA		B
41330584900	VHi16163CLT-6	25- 4	BA		B
41330585200	VHi161256J12-1	29- 39	AS		B
41330585500	VHi74LS244NS1	31- 11	AH		B
41330585600	VHi74LS245NS1	31- 12	AF		B
41330585900	VHi74VHC08/-1	29- 40	AE		B
"	VHi74VHC08/-1	30- 63	AE		B
41330586800	VHiH8S/2350FP	29- 8	AY		B
"	VHiH8S/2350FP	30- 64	AY		B
41330587000	VHiHG73C025FD	29- 9	BE		B
"	VHiHG73C025FD	30- 65	BE		B
41330587300	VHiS61C25612	30- 80	AN		B
41330587600	VHiLC7935//--1	24- 10	AN		B
41330587800	VHiLH532C0Z-1	30-123	AP		B
41330588000	VHiLM358PS/-S	29- 41	AC		B
"	VHiLM358PS/-S	30- 66	AC		B
41330588500	VHiM24C02WBN6	29- 42	AG		B
"	VHiM24C02WBN6	30- 67	AG		B
41330588600	VHiM51953BL-1	29- 43	AF		B
"	VHiM51953BL-1	30- 68	AF		B
41330588700	VHiM6236FP-1	29- 44	AT		B
"	VHiM6236FP-1	30- 69	AT		B
41330589000	VHiMX27C2048D	30- 70	AY		B
41330589100	VHiMX27C4096D	29- 7	AZ		B
41330589300	VHiNJM2903M/-	29- 45	AD		B
"	VHiNJM2903M/-	30- 71	AD		B
41330589400	VHiNJM3414AM1	29- 46	AF		B
"	VHiNJM3414AM1	30- 72	AF		B
41330590200	VHiSLA7027MU/	29-136	AQ		B
"	VHiSLA7027MU/	30- 73	AQ		B
41330590300	VHiSN74LS07NS	29- 48	AF		B
"	VHiSN74LS07NS	30- 74	AF		B
41330590400	VHiTA7291S/-1	29- 49	AF		B
"	VHiTA7291S/-1	30- 75	AF		B
41330590500	VHiTC74HC14FN	29- 50	AH		B
"	VHiTC74HC14FN	30- 76	AH		B
41330590600	VHiTC74HC151F	24- 11	AG		B
"	VHiTC74HC151F	29- 51	AG		B
"	VHiTC74HC151F	30- 77	AG		B
41330590900	VHiTD62003AP1	29- 53	AG		B
"	VHiTD62003AP1	30- 78	AG		B
41330591000	VHiTD62064AF/-	29- 54	AM		B
41330591100	VHiTD62503F/-	29- 52	AG		B
"	VHiTD62503F/-	30- 79	AG		B
41330592000	VHP1LHEE-002A	24- 13	AC		B
41330592100	VHP1LHLE-002A	24- 12	AC		B
41330592200	VHPCST338G-25	24- 14	AP		B
41330592400	VHPGP1S53V/-1	26- 4	AE		B
"	VHPGP1S53V/-1	27- 4	AE		B
"	VHPGP1S53V/-1	28- 4	AE		B
41330592700	VHV iCPN38//--1	29-134	AF		B
"	VHV iCPN38//--1	30- 81	AF		B
41330593500	VRD-HT2HY101J	31- 13	AA		C
41330593900	VRH-ST2HB157K	13- 2	AD		C
41330594000	VRNHT2EK1301F	29- 5	AB		C
41330594100	VRNHT2EK2401F	30- 82	AA		C
41330594300	VRS-CY1JD100J	29- 70	AA		C
"	VRS-CY1JD100J	30- 84	AA		C
41330594400	VRS-CY1JD101J	29- 71	AA		C
"	VRS-CY1JD101J	30- 85	AA		C
41330594500	VRS-CY1JD102F	29- 72	AA		C
"	VRS-CY1JD102F	30- 86	AA		C
41330594600	VRS-CY1JD102J	29- 73	AA		C
"	VRS-CY1JD102J	30- 87	AA		C
41330594700	VRS-CY1JD103F	29- 74	AB		C

OEM CODE	PARTS CODE	NO.	PRICE RANK	NEW MARK	PART RANK
"	VRS-CY1JD103F	30- 88	AB		C
41330594800	VRS-CY1JD103J	29- 75	AA		C
"	VRS-CY1JD103J	30- 89	AA		C
41330595000	VRS-CY1JD105F	29- 76	AA		C
"	VRS-CY1JD105F	30- 90	AA		C
41330595400	VRS-CY1JD122J	29- 77	AA		C
"	VRS-CY1JD122J	30- 91	AA		C
41330595600	VRS-CY1JD152J	29- 78	AA		C
"	VRS-CY1JD152J	30- 92	AA		C
41330595900	VRS-CY1JD202J	29- 81	AA		C
"	VRS-CY1JD202J	30- 93	AA		C
41330596000	VRS-CY1JD203J	29- 79	AA		C
"	VRS-CY1JD203J	30- 94	AA		C
41330596100	VRS-CY1JD205J	29- 80	AA		C
"	VRS-CY1JD205J	30- 95	AA		C
41330596400	VRS-CY1JD222J	29- 82	AA		C
41330596700	VRS-CY1JD242J	29- 83	AA		C
"	VRS-CY1JD242J	30- 96	AA		C
41330596800	VRS-CY1JD301J	29- 84	AA		C
"	VRS-CY1JD301J	30- 97	AA		C
41330597000	VRS-CY1JD331J	29- 85	AA		C
"	VRS-CY1JD331J	30- 98	AA		C
41330597100	VRS-CY1JD332J	29- 86	AA		C
"	VRS-CY1JD332J	30- 99	AA		C
41330597200	VRS-CY1JD333J	29- 87	AA		C
"	VRS-CY1JD333J	30-100	AA		C
41330597400	VRS-CY1JD470J	29- 88	AA		C
"	VRS-CY1JD470J	30-101	AA		C
41330597500	VRS-CY1JD472J	29- 89	AA		C
"	VRS-CY1JD472J	30-102	AA		C
41330597600	VRS-CY1JD473J	29- 90	AA		C
"	VRS-CY1JD473J	30-103	AA		C
41330597800	VRS-CY1JD512J	29- 91	AA		C
"	VRS-CY1JD512J	30-104	AA		C
41330598000	VRS-CY1JD621F	29- 92	AA		C
"	VRS-CY1JD621F	30-105	AA		C
41330598100	VRS-CY1JD621J	29- 93	AA		C
"	VRS-CY1JD621J	30-106	AA		C
41330598300	VRS-CY1JD680J	29- 94	AA		C
"	VRS-CY1JD680J	30-107	AA		C
41330598500	VRS-CY1JD751J	29- 95	AA		C
"	VRS-CY1JD751J	30-108	AA		C
41330598600	VRS-CY1JD752J	29- 96	AA		C
"	VRS-CY1JD752J	30-109	AA		C
41330599000	VRS-CY1JD912J	29- 97	AA		C
"	VRS-CY1JD912J	30-110	AA		C
41330599200	VRS-HT3DA102J	29- 66	AA		C
"	VRS-HT3DA102J	30-111	AA		C
41330599300	VRS-HT3DA1R0J	29- 67	AB		C
"	VRS-HT3DA1R0J	30-112	AB		C
41330599400	VRS-HT3DAR22J	29- 68	AA		C
"	VRS-HT3DAR22J	30-113	AA		C
41330599700	VRS-TP2BD000J	24- 15	AA		C
41330599800	VRS-TP2BD121J	29- 60	AA		C
"	VRS-TP2BD121J	30-114	AA		C
41330599900	VRS-TP2BD151J	29- 61	AA		C
"	VRS-TP2BD151J	30-115	AA		C
41330600000	VRS-TP2BD221J	29- 62	AB		C
"	VRS-TP2BD221J	30-116	AB		C
41330600100	VRS-TP2BD241J	29- 63	AA		C
"	VRS-TP2BD241J	30-117	AA		C
41330600200	VRS-TP2BD432J	29- 64	AA		C
"	VRS-TP2BD432J	30-118	AA		C
41330600300	VRS-TP2BD472J	29- 65	AA		C
"	VRS-TP2BD472J	30-119	AA		C
41330600500	VRS-TS2AD100J	25- 5	AA		C
41330600600	VRS-TS2AD101J	24- 16	AA		C
41330600700	VRS-TS2AD102J	24- 17	AA		C
41330600800	VRS-TS2AD103J	24- 18	AA		C
41330601000	VRS-TS2AD121J	24- 19	AA		C
41330601100	VRS-TS2AD122J	31- 14	AA		C
41330601200	VRS-TS2AD151J	24- 20	AA		C
41330601300	VRS-TS2AD152J	24- 21	AA		C
41330601600	VRS-TS2AD220J	31- 15	AA		C
41330601900	VRS-TS2AD332J	31- 16	AA		C
41330602100	VRS-TS2AD472J	24- 22	AA		C
41330602300	VRS-TS2AD511J	24- 23	AA		C
41330603600	VS2SA1036KQRC	29-119	AB		B
"	VS2SA1036KQRC	30-120	AB		B
41330604000	VS2SD1853--/-1	29-122	AC		B
41330604300	VSDTA143XK/-1	29-120	AB		B

CAUTION FOR BATTERY REPLACEMENT

- (Danish) ADVARSEL !
Lithiumbatteri - Eksplosionsfare ved fejlagtig håndtering.
Udskiftning må kun ske med batteri
af samme fabrikat og type.
Levér det brugte batteri tilbage til leverandoren.
- (English) Caution !
Danger of explosion if battery is incorrectly replaced.
Replace only with the same or equivalent type
recommended by the manufacturer.
Dispose of used batteries according to manufacturer's instructions.
- (Finnish) VAROITUS
Paristo voi räjähtää, jos se on virheellisesti asennettu.
Vaihda paristo ainoastaan laitevalmistajan suosittelemaan
tyyppiin. Hävitä käytetty paristo valmistajan ohjeiden
mukaisesti.
- (French) ATTENTION
Il y a danger d'explosion s'il y a remplacement incorrect
de la batterie. Remplacer uniquement avec une batterie du
même type ou d'un type équivalent recommandé par
le constructeur.
Mettre au rebut les batteries usagées conformément aux
instructions du fabricant.
- (Swedish) VARNING
Explosionsfara vid felaktigt batteribyte.
Använd samma batterityp eller en ekvivalent
typ som rekommenderas av apparatillverkaren.
Kassera använt batteri enligt fabrikantens
Instruktion.
- (German) Achtung
Explosionsgefahr bei Verwendung inkorrektter Batterien.
Als Ersatzbatterien dürfen nur Batterien vom gleichen Typ oder
vom Hersteller empfohlene Batterien verwendet werden.
Entsorgung der gebrauchten Batterien nur nach den vom
Hersteller angegebenen Anweisungen.

CAUTION FOR BATTERY DISPOSAL

- (For USA, CANADA)
Contains lithium-ion battery. Must be disposed of properly.
Remove the battery from the product and contact
federal or state environmental
agencies for information on recycling and disposal options.

SHARP

COPYRIGHT © 2001 BY SHARP CORPORATION

All rights reserved.

Printed in Japan.

No part of this publication may be reproduced,
stored in a retrieval system, or transmitted,
in any form or by any means,
electronic, mechanical, photocopying, recording, or otherwise,
without prior written permission of the publisher.

SHARP CORPORATION
Digital Document Systems Group
Quality & Reliability Control Center
Yamatokoriyama, Nara 639-1186, Japan

2001 July Printed in Japan ⓘ