

SHARP PARTS GUIDE

CODE:00ZAR5623P006

デジタル複合機 DIGITAL MULTIFUNCTIONAL SYSTEM

改訂版
Revised Edition

AR-5623N/X230N/5623
AR-5623D/5623DA
AR-5620N/5620
AR-5620NM/X200
AR-5620D/X200D/5620S
AR-5618N/5618/X180
AR-5618D/5618S/X180S
AR-5620SL/5620SLX

MODEL AR-181G,AR-VR7

このパーツガイドに掲載されている表示価格ランクは消費税抜きです。

CONTENTS

- | | |
|---|---|
| 1 外装 (Exteriors) | 17 排紙フレームユニット (Delivery frame unit)
[AR-5620S/5618S/X180S/5623/5620/
5620NM/X200/5618/X180/5620SL/
5620SLX/181G] |
| 2 操作部 (Operation panel section) | 18 排紙フレームユニット (Delivery frame unit)
[AR-5623N/X230N/5620N/5618N/
5623D/5623DA/5620D/X200D/5618D] |
| 3 サイドドアユニット (Side door unit) | 19 TC ケースユニット (TC case unit) |
| 4 光学ユニット 1(Optical unit 1) | 20 250 枚トレイユニット (250 sheets tray unit) |
| 5 光学ユニット 2(Optical unit 2) | 21 2nd トレイ外装 (2nd tray exteriors)
[AR-5623N/X230N/5620N/5623/5620/
5620NM/X200/5623D/5623DA/5620D/
X200D] |
| 6 ランプユニット (Lamp unit) | 22 2nd トレイ給紙ユニット
(2ndtraypaperfeedunit)
[AR-5623N/X230N/5620N/5623/5620/
5620NM/X200/5623D/5623DA/5620D/
X200D] |
| 7 第 2,3 ミラーユニット (2nd,3rd mirror unit) | 23 梱包材 & 付属品
(Packing material & Accessories) |
| 8 中間フレームユニット (Middle frame unit) | 24 ネットワーク拡張キット (Network expansion kit)
[Refer to the Parts Guide of MX-NB12] |
| 9 プロセスユニット (Process unit) | |
| 10 現像ユニット (DV unit) | |
| 11 定着ユニット (Fusing unit) | |
| 12 メイン駆動ユニット (Main driving unit) | |
| 13 台板ユニット 1(Base plate unit 1) | |
| 14 台板ユニット 2(Base plate unit 2) | |
| 15 台板ユニット 3(Base plate unit 3) | |
| 16 手差しマルチユニット
(Manual paper feed multi unit) | |

<修正パーツガイド活用時の注意>

・ 部品の互換性は下表の通り、No1～6で表現しております。

<互換性>

1	新・旧の互換性有り。
2	新の代わりに旧は使用可。 旧の代わりに新は使用不可。
3	新の代わりに旧は使用不可。 旧の代わりに新は使用可。
4	新・旧の互換性無。
5	旧 (a, b, c...) どうし一対、又は 新 (a, b, c...) どうし一対で、 互換性有。
6	その他

・ 部品の追加・変更・廃止・員数の増減等の変更は下表のマークで表現しております。

<変更区分>

新規追加	
変 更	
廃 止	
員数増・その他	
員数減	
パーツ修正	

・ 変更時期のランニングチェンジは、R/Cとして記載しています。

<変更時期>

R / C	ランニングチェンジ
-------	-----------

<Note for use of the revised Parts Guide>

・ Interchangeability of parts is expressed by No1~6 as shown in the table below.

<Interchangeability>

1	Interchangeable.
2	Current type can be used in place of new type. New type cannot be used in place of current type.
3	Current type cannot be used in place of new type. New type can be used in place of current type.
4	Not interchangeable.
5	Interchangeable if replaced with same types of related parts in use.
6	Others.

・ New & Addition, Change, Abolition, and Quantity change are expressed with the marks shown in the table below.

<Change of Division>

New & Addition	
Change	
Abolition	
Q uantity (increase) /Others	
Q uantity (decrease)	
Correction	

・ Running Change of Effective Time is expressed as R/C.

<Effective Time>

R / C	Running Change
-------	----------------

補修部品のランク付

市場における補修部品の在庫管理が、適正に運営出来る手助けとなることを、目的とします。

- Aランク : メンテナンスパーツ、メンテナンスパーツには入っていないがメンテナンスパーツに近い消耗パーツ。
 Bランク : 性能・機能パーツ (センサー、クラッチ等の電気パーツ)、消耗パーツ。
 Eランク : 基板含むユニットパーツ。
 Dランク : 整備パーツ (外装、パッキング、同梱パーツ)。
 Cランク : 上記ランク以外のパーツ (基板の子部品を除いたもの)。

DEFINITION

- Rank A : Maintenance parts, and consumable parts which are not included in but closely related to maintenance parts
 Rank B : Performance/function parts (sensors, clutches, and other electrical parts), consumable parts
 Rank E : Unit parts including PWB
 Rank D : Preparation parts (External fitting, packing, parts packed together)
 Rank C : Parts other than the above (excluding sub components of PWB)

安全性・信頼性確保のため部品は、必ず正規のものをご使用下さい。

△印の商品は、安全上重要な部品です。交換をする時は、安全及び性能維持のため必ず指定の部品をご使用下さい。

Because parts marked with "△" is indispensable for the machine safety maintenance and operation, it must be replaced with the parts specific to the product specification.

- 当モデルのサービス資料には、この資料以外にサービスマニュアル (回路図含む) があります。合わせてご利用下さい。
- Other than this Parts Guide, please refer to documents Service Manual (including Circuit Diagram) of this model.
- Please use the 13 digit code described in the right hand corner of front cover of the document, when you place an order.
- For U.S. only-Use order codes provided in advertising literature. Do not order from parts department.

1 外装 (Exteriors)

NO.	PARTS CODE	Inter-change	PRICE RANK		NEW MARK	PART RANK	DESCRIPTION	TR No.	Effective time
			Ex.	Ja.					
1	GCÖV-0075QSZ2		BC	GD		D	OC cover [AR-5623/5620/5620NM/5618/5620S/5618S/5620SL/5620SLX/181G/X180/X200/X180S,AR-VR7] OCカバー		
2	PCUSS0032QSZ2		AR	EQ		C	OC mat(Refer to Matrix) OCマット		
	PCUSS0032QSZZ	1	AW	FG		C	OC mat(Refer to Matrix) OCマット		
3	MHNG-0030QSZZ		BD	GN		C	OC hinge [AR-5623/5620/5620NM/5618/5620S/5618S/5620SL/5620SLX/181G/X180/X200/X180S,AR-VR7] OCヒンジ		
4	XEBS740P12000		AA	DD		C	Screw(4×12) [AR-5623/5620/5620NM/5618/5620S/5618S/5620SL/5620SLX/181G/X180/X200/X180S,AR-VR7] ビス		
5	XEBS730P08000		AC	DD		C	Screw(3×8) ビス		
6	LBNDZ0006QSZZ		AC	DJ		C	Front cabinet band 前キャビネットバンド		
7	CFIX-0024QS26	-	AQ	EQ	N	D	Glass fixing plate(Refer to Matrix) [Missing parts code] ガラス押え板		
	CFIX-0024QS24		AQ	EQ		D	Glass fixing plate(Refer to Matrix) ガラス押え板		
	CFIX-0024QS27		AN	EG		D	Glass fixing plate(Refer to Matrix) ガラス押え板		
	CFIX-0024QS30					D	Glass fixing plate(Refer to Matrix) ガラス押え板		
8	PGLSP0003QSZZ		BA	FX		C	Table glass テーブルガラス		
9	PSHEZ0220QSZ1		AK	DX		C	Shading sheet シェーディングシート		
10	GCAB-0124QSZ1		AU	EZ		D	Front cabinet inner 前キャビネットインナー		
11	GCÖV-0077QSZ1		AU	EZ		D	Front cover main 前カバーメイン		
12	GCÖV-0076QSZ1		AH	DX		D	Front cover sub 前カバーサブ		
13	GCÖV-0048QST2		AP	EQ		D	Rear cabinet maintenance cover 後キャビネットメンテナンスカバー		
14	LX-BZ0088QSPZ		AA	DD		C	Screw(3×6) ビス		
15	GCAB-0071QST6	-	AY	FQ	N	D	Left cabinet(Refer to Matrix) [Missing parts code] 左キャビネット		
	GCAB-0071QST7		AX	FG		D	Left cabinet(Refer to Matrix) 左キャビネット		
16	GCÖV-0047QST5		AM	EG		D	Rear cabinet cover(Refer to Matrix) 後キャビネットカバー		
	GCÖV-0078QSZ1	-	AQ	EQ	N	D	Rear cabinet cover(Refer to Matrix)[Missing parts code] 後キャビネットカバー		
	GCÖV-0093QSZZ		AR	EQ		D	Rear cabinet cover(Refer to Matrix) 後キャビネットカバー		
	GCÖV-0094QSZZ		AR	EQ		D	Rear cabinet cover(Refer to Matrix) 後キャビネットカバー		
17	XHBS730P08000		AB	DD		C	Screw(3×8) ビス		
18	GCAB-0070QST8		AZ	EQ		D	Rear cabinet(Refer to Matrix) 後キャビネット		
	GCAB-0102QS15	-	BA	FX	N	D	Rear cabinet(Refer to Matrix) [Missing parts code] 後キャビネット		
	GCAB-0102QS16	-	BA	FX	N	D	Rear cabinet(Refer to Matrix) [Missing parts code] 後キャビネット		
19	PGIDM0110QST2		AH	DX		C	Hinge guide L ヒンジガイドL		
20	XHBS730P06000		AC	DD		C	Screw(3×6) ビス		
21	PGIDM0111QST2		AH	DX		C	Hinge guide R ヒンジガイドR		
22	LFIX-0026QSA2		AN	EG		C	OC glass fixture OCガラス押え		
23	GCAB-0015QSTD		AV	FG		D	Right cabinet 右キャビネット		
24	XEBS740P10000		AA	DD		C	Screw(4×10) ビス		
25	LX-BZ0759FCPZ		AC	DD		C	Screw(3×6) ビス		
26	XBBS730P06000		AC	DD		C	Screw(3×6) ビス		
27	GCAB-0123QSZ2	-	AP	EQ	N	D	Front right cabinet [Missing parts code] フロント右キャビネット		1st lot
28	GCÖV-0247FCZ1		AR	EQ		D	OC stocker [AR-5623/5620/5620NM/5618/5620S/5618S/5620SL/5620SLX/181G/X180/X200/X180S,AR-VR7] OCストック		
29	TCAUA1069FCZZ		AC	DJ		D	Service caution label サービス注意ラベル		

1 外装 (Exteriors)

NO.	PARTS CODE	Inter-change	PRICE RANK		NEW MARK	PART RANK	DESCRIPTION	TR No.	Effective time
			Ex.	Ja.					
30	CBDGD0002QS21		AK	DX		D	Model name plate(Refer to Matrix) 機種名プレート		
	CBDGD0002QS22		AK	DX		D	Model name plate(Refer to Matrix) 機種名プレート		
	CBDGD0002QS28		AK	DX		D	Model name plate(Refer to Matrix) 機種名プレート		
	CBDGD0002QS30		AK	DX		D	Model name plate(Refer to Matrix) 機種名プレート		
	CBDGD0002QS32		AK	DX		D	Model name plate(Refer to Matrix) 機種名プレート		
	CBDGD0002QS26		AG	DX		D	Model name plate(Refer to Matrix) 機種名プレート		
	CBDGD0002QS27		AG	DX		D	Model name plate(Refer to Matrix) 機種名プレート		
	CBDGD0002QS29		AG	DX		D	Model name plate(Refer to Matrix) 機種名プレート		
	CBDGD0002QS31		AG	DX		D	Model name plate(Refer to Matrix) 機種名プレート		
	CBDGD0002QS33		AG	DX		D	Model name plate(Refer to Matrix) 機種名プレート		
	CBDGD0002QS34		AG	DX		D	Model name plate(Refer to Matrix) 機種名プレート		
	Ⓢ CBDGD0002QS39	-	AG	DX	N	D	Model name plate(Refer to Matrix) [Missing parts code] 機種名プレート		
	CBDGD0002QS25		AG	DX		D	Model name plate(Refer to Matrix) 機種名プレート		
31	XWVS740-05000		AA	DD		C	Washer [AR-5623/5620/5620NM/5618/5620S/5618S/5620SL/5620SLX/181G/X180/X200/X180S,AR-VR7] ワッシャー		
32	TCAUH1071FCZZ		BC	GD		D	Service caution label PO [Greece,Cyprus,Turkey, Poland,Hungary,Czech,Slovakia] サービス注意ラベル PO		
33	LX-BZ3008SCPS		AA	DD		C	Screw(3×8) ビス		
39	TLABH0104QSZ1		AB	DJ		D	Power supply label [Japan] 電源ラベル		
40	TLABH0103QSZ1		AB	DJ		D	Warm heater label [Japan] 保温ヒーターラベル		
44	TLABH0748QSZZ		AF	DS		D	Operation instruction label(Refer to Matrix) 操作説明ラベル		
	TLABH0775QSZZ		AF	DS		D	Operation instruction label(Refer to Matrix) 操作説明ラベル		
45	PMLT-0167QSZZ		BC	GJ		C	Exhaust cushion A 排気マット A		
46	PMLT-0168QSZZ		BC	GJ		C	Exhaust cushion B 排気マット B		
48	PCÖVP0167QSZZ		AC	DD		D	Open/close ACT cover [AR-5623/5620/5620NM/5618/5620SL/5620SLX/181G/X180/X200/X200D,AR-VR7] 開閉 ACT カバ-		
49	XBPS730P08000		AA	DD		C	Screw(3×8) [AR-5623/5620/5620NM/5618/5620SL/5620SLX/181G/X180/X200/X200D,AR-VR7] ビス		
501	CCAB-0015RS51		AX	FG		E	Right cabinet AS(Refer to Matrix) 右キャビネット AS		
502	CFIX-0024RS70		BA	FX		E	Table unit(Refer to Matrix) テーブルユニット		
	Ⓢ CFI X-0024US70	1	BD	GN	N	E	Table unit(Refer to Matrix) テーブルユニット		
	CFIX-0024RS72		BA	FX		E	Table unit(Refer to Matrix) テーブルユニット		
	Ⓢ CFI X-0024US72	1	BD	GN	N	E	Table unit(Refer to Matrix) テーブルユニット		
	CFIX-0024US73		BD	GN		E	Table unit(Refer to Matrix) テーブルユニット		
	CFIX-0024US77					E	Table unit(Refer to Matrix) テーブルユニット		

Matrix

No.2	OC マット (OC mat)																			
PARTS CODE	AR-5620S	AR-5618S	AR-X180S	AR-VR7	AR-5623	AR-5620	AR-5620NM	AR-X200	AR-5618	AR-X180	AR-5620SL	AR-5620SLX	AR-181G							
	ALL	ALL	ALL					Hong Kong	Other	ALL	Japan									
PCUSS0032QSZ2	1st lot							1st lot												
Ⓢ PCUSS0032QSZZ	Apr/11	1st lot			1st lot				1st lot	1st lot	1st lot									

No.7-1/2	ガラス押え板 (Glass fixing plate)																			
PARTS CODE	AR-5623N	AR-X230N	AR-5618N		AR-5620N	AR-5620S	AR-5618S	AR-X180S	AR-5623	AR-5620	AR-5620NM	AR-X200	AR-5618	AR-X180						
	India, Singapore, Malaysia, Vietnam	Other	India	Malaysia, Vietnam	Philippines	Other	ALL	India, Singapore, Malaysia, Vietnam	Taiwan	Other	India, Singapore, Malaysia, Vietnam	Philippines	Taiwan	Other						
Ⓢ CFI X-0024QS26	1st lot		1st lot	1st lot				1st lot					1st lot	1st lot						
CFIX-0024QS24		1st lot				1st lot														1st lot
CFIX-0024QS30										1st lot										1st lot

1 外装 (Exteriors)

Matrix

No.7-2/2		ガラス押え板 (Glass fixing plate)											
PARTS CODE	AR-5623D			AR-5623DA	AR-5620D AR-X200D AR-5618D		AR-5620SL		AR-5620SLX	AR-181G			
	Mexico, LAG2, Philippines	India, Singapore, Vietnam	Other	Argentina	India, Singapore, Vietnam	Other	India, Singapore, Vietnam	Other	Iran	Japan			
CFIX-0024QS26	1st lot	1st lot		1st lot	1st lot		1st lot		1st lot	1st lot			
CFIX-0024QS24			1st lot										
CFIX-0024QS27										1st lot			

No.15		左キャビネット (Left cabinet)											
PARTS CODE	Japan	Other											
	GCAB-0071QST6		1st lot										
GCAB-0071QST7	1st lot												

No.16		後キャビネットカバー (Rear cabinet cover)											
PARTS CODE	AR-5623N AR-X230N AR-5620N AR-5618N			AR-5620S AR-5618S AR-X180S	AR-5623 AR-5620 AR-X200 AR-5618 AR-X180	AR-5620NM	AR-5623D AR-5620D AR-X200D AR-5618D	AR-5623DA	AR-5620SL AR-5620SLX	AR-181G			
	GCOV-0047QST5	1st lot											
GCOV-0078QSZ1			1st lot						1st lot				
GCOV-0093QSZZ				1st lot		1st lot		1st lot		1st lot			
GCOV-0094QSZZ					1st lot								

No.18		後キャビネット (Rear cabinet)											
PARTS CODE	AR-5623N AR-5620N AR-5618N AR-X230N			AR-5620S AR-5618S AR-X180S	AR-5623 AR-5620 AR-5620NM AR-X200 AR-5618 AR-X180	AR-5623D	AR-5620D AR-X200D AR-5618D	AR-5623DA	AR-5620SL AR-5620SLX	AR-181G			
	ALL	ALL	Taiwan	Other	Mexico, LAG2	Other	ALL	Argentina	ALL	Japan			
GCAB-0070QST8	1st lot	1st lot							1st lot				
GCAB-0102QS15				1st lot		1st lot	1st lot	1st lot					
GCAB-0102QS16			1st lot		1st lot					1st lot			

1 外装 (Exteriors)

Matrix

No.30-1/2	機種名プレート (Model name plate)														
PARTS CODE	AR-5618S	AR-5620S	AR-5623N	AR-5620N	AR-5618N	AR-5618	AR-5620	AR-5623	AR-5618D	AR-5620D	AR-5623D	AR-5623DA	AR-5620SL	AR-5620SLX	AR-181G
CBDGD0002QS21	1st lot			1st lot											
CBDGD0002QS22															
CBDGD0002QS28					1st lot										
CBDGD0002QS30		1st lot													
CBDGD0002QS32			1st lot												
CBDGD0002QS26						1st lot									
CBDGD0002QS27									1st lot						
CBDGD0002QS29							1st lot								
CBDGD0002QS31										1st lot					
CBDGD0002QS33								1st lot							
CBDGD0002QS34											1st lot				
CBDGD0002QS39													1st lot		
CBDGD0002QS25															1st lot

No.30-2/2	機種名プレート (Model name plate)														
PARTS CODE	AR-X180S	AR-X180	AR-X200	AR-X200D	AR-X230N	AR-5620NM									

No.44	操作説明ラベル (Operation instruction label)														
PARTS CODE	Japan	Other													
TLABH0748QSZZ		1st lot													
TLABH0775QSZZ	1st lot														

No.501-1/2	右キャビネット AS (Right cabinet AS)														
PARTS CODE	AR-5623N AR-X230N			AR-5620N			AR-5618N			AR-5620S AR-5618S AR-X180S					
	Germany, Switzerland, France, Spain, Italy	India, Singapore, Malaysia, Vietnam	Australia, New Zealand	Other	Germany, Switzerland, France, Spain, Italy	India	Malaysia, Vietnam, Australia, New Zealand	Other	Germany, Switzerland, France, Spain, Italy	India, Singapore, Malaysia, Vietnam	Other	Germany, Switzerland, France	India	Lebanon, Nigeria, Algeria, Egypt, Jordan, Tunisia, Morocco	Other
CCAB-0015RS51	1st lot	1st lot	1st lot		1st lot	1st lot	1st lot		1st lot	1st lot		1st lot	1st lot	1st lot	

1 外装 (Exteriors)

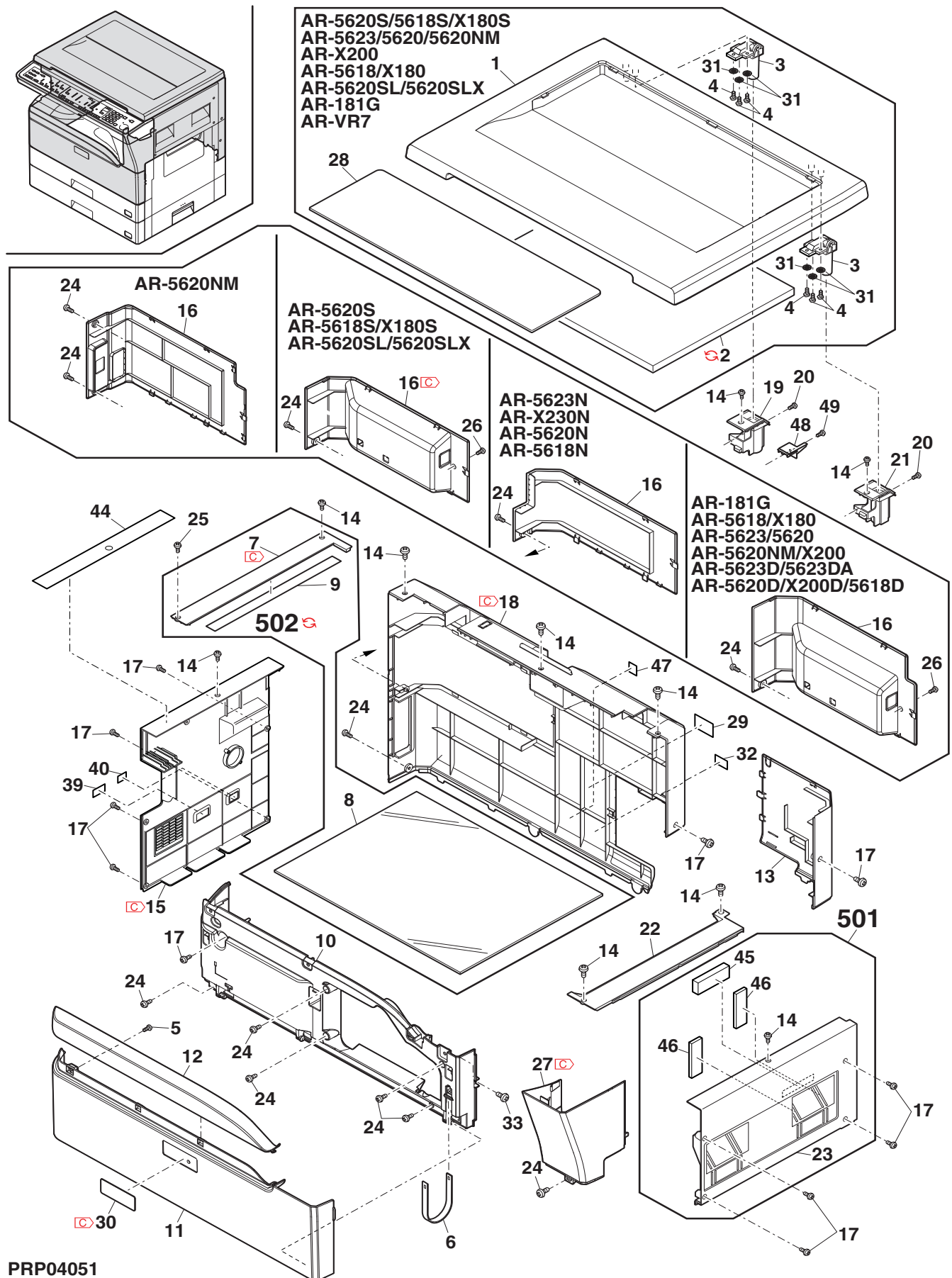
Matrix

No.501-2/2		右キャビネット AS(Right cabinet AS)													
PARTS CODE	AR-5623 AR-5620 AR-5620NM AR-X200	AR-5618 AR-X180		AR-5623D AR-5620D AR-X200D AR-5618D		AR-5623DA	AR-5620SL AR-5620SLX		AR-181G						
	ALL	Hong Kong	Other	ALL		Argentina	ALL		Japan						
CCAB-0015RS51		1st lot													

No.502-1/2		テーブルユニット (Table unit)													
PARTS CODE	AR-5623N AR-X230N AR-5618N	AR-5620N		AR-5620S AR-5618S AR-X180S		AR-5623 AR-5620 AR-5620NM AR-X200		AR-5618 AR-X180							
	India, Singapore, Malaysia, Vietnam Other	India, Malaysia, Vietnam Philippines Other	ALL	India, Singapore, Malaysia, Vietnam Taiwan Other	India, Singapore, Malaysia, Vietnam Philippines Hong Kong Taiwan Other										
CFIX-0024RS70		1st lot		1st lot	1st lot			1st lot			1st lot				
CFIX-0024US70		Apr/11		Apr/11	Apr/11			1st lot							1st lot
CFIX-0024RS72	1st lot		1st lot												
CFIX-0024US72	Apr/11		Apr/11	1st lot			1st lot			1st lot	1st lot				
CFIX-0024US77							1st lot							1st lot	

No.502-2/2		テーブルユニット (Table unit)													
PARTS CODE	AR-5623D		AR-5620D AR-X200D AR-5618D		AR-5623DA	AR-5620SL		AR-5620SLX	AR-181G						
	Mexico, LAG2, Philippines	India, Singapore, Vietnam Other	India, Singapore, Vietnam Other	Argentina	India, Singapore, Vietnam Other	Iran	Japan								
CFIX-0024US70		1st lot		1st lot		1st lot	1st lot								
CFIX-0024US72	1st lot	1st lot		1st lot	1st lot										
CFIX-0024US73										1st lot					

1 外装 (Exteriors)



2 操作部 (Operation panel section)

NO.	PARTS CODE	Inter-change	PRICE RANK		NEW MARK	PART RANK	DESCRIPTION	TR No.	Effective time
			Ex.	Ja.					
1	GCAB-0125QSZ1		AV	FG		D	Operation panel cabinet		
4	LX-BZ0088QSPZ		AA	DD		C	Screw(3×6)		
5	XHBS730P08000		AB	DD		C	Screw(3×8)		
6	PSPA Z0056QSZZ		AC	DJ		C	Spacer		
7	XEBS730P08000		AC	DD		C	Screw(3×8)		
8	GCAB-0126QSZ1		AL	EB		D	Operation lower cabinet		
9	CPNLH0064QS06		AK	EB		D	Key sheet main(Refer to Matrix)		
	CPNLH0064QS07		AK	DX		D	Key sheet main(Refer to Matrix)		
	CPNLH0064QS08		AS	EZ		D	Key sheet main(Refer to Matrix)		
	CPNLH0064QS09		AS	EQ		D	Key sheet main(Refer to Matrix)		
	CPNLH0064QS19					D	Key sheet main(Refer to Matrix)		
10	CPNLH0065QS11		AK	DX		D	Key sheet sub(Refer to Matrix)		
	CPNLH0065QS12		AK	DX		D	Key sheet sub(Refer to Matrix)		
	CPNLH0065QS13		BH	GX		D	Key sheet sub(Refer to Matrix)		
	CPNLH0065QS14	-	AS	EQ	N	D	Key sheet sub(Refer to Matrix) [Missing parts code]		
11	CCOV-0079QS05		BG	GT		D	Operation panel cover(Refer to Matrix)		
	CCOV-0079QS06		AT	EZ		D	Operation panel cover(Refer to Matrix)		
	CCOV-0079QS08		AX	FG		D	Operation panel cover(Refer to Matrix)		
12	PFILW0019QSBZ		AE	DS		C	Copy key ring		
13	CBTN-0122QS01		AF	DS		C	Start key AS		
14	CBTN-0109QS02		AE	DS		C	Interrupt key		
15	CBTN-0102QS01		AE	DS		C	CA key(Refer to Matrix)		
	CBTN-0102QS02		AE	DS		C	CA key(Refer to Matrix)		
16	PLNS-0013QSZZ		AC	DJ		B	LED lens PEG3		
17	CBTN-0103QS01		AK	DX		C	Ten key		
18	JBTN-0105QSAZ		AE	DJ		C	Magnification key		
19	CBTN-0104QS01		AE	DS		C	Zoom key		
20	JBTN-0106QSAZ		AD	DJ		C	Mode select key		
21	JBTN-0108QSZZ		AC	DJ		C	Automatic key		
22	JBTN-0110QSZZ		AD	DJ		C	Special function key(Refer to Matrix)		
	JBTN-0110QSZ2		AD	DJ		C	Special function key(Refer to Matrix)		
	JBTN-0110QSZ1		AD	DJ		C	Special function key(Refer to Matrix)		
23	CBTN-0107QS01		AG	DX		C	Contracted key(Refer to Matrix)		
	JBTN-0107QSZZ		AD	DJ		C	Contracted key(Refer to Matrix)		
24	DUNTK0717QS12		BT	NE		E	Operation PWB(Refer to Matrix)		
	DUNTK0717QSZZ		BP	LP		E	Operation PWB(Refer to Matrix)		
	DUNTK0717US12	1	BG	GT		E	Operation PWB(Refer to Matrix) [Missing parts code]		
	DUNTK0717USZZ	1	BG	GT		E	Operation PWB(Refer to Matrix)		
	DUNTK0717US11		BG	GT		E	Operation PWB(Refer to Matrix)		
	DUNTK0717US14	2	BE	GN		E	Operation PWB(Refer to Matrix) [Productivity improvement]		
25	DUNTK0717QS11		BP	LP		E	Operation PWB(Refer to Matrix)		
	DHAi-0555QSPZ		AZ	FQ		C	OP MCU FFC harness		
(Unit)									
901	CCAB-0125RS64		BM	HR		E	Operation panel unit(Refer to Matrix)		
	CCAB-0125US64	1	BM	HV		E	Operation panel unit(Refer to Matrix)		
	CCAB-0125RS65		BM	HV		E	Operation panel unit(Refer to Matrix)		
	CCAB-0125US65	1	BN	HZ		E	Operation panel unit(Refer to Matrix)		
	CCAB-0125US69		BP	LP		E	Operation panel unit(Refer to Matrix)		
	CCAB-0125US70		BN	LE		E	Operation panel unit(Refer to Matrix)		
	CCAB-0125US71		BN	HZ		E	Operation panel unit(Refer to Matrix)		
	CCAB-0125US74	-	BN	HZ	N	E	Operation panel unit(Refer to Matrix) [Missing parts code]		
	CCAB-0125US66		BP	LP		E	Operation panel unit(Refer to Matrix)		
CCAB-0125US79					E	Operation panel unit(Refer to Matrix)			

Matrix

No.9-1/2		キーシートメイン (Key sheet main)																		
PARTS CODE		AR-5623N	AR-X230N	AR-5620N	AR-5618N	AR-5620S	AR-5618S	AR-X180S	AR-5623	AR-5620	AR-5620NM	AR-X200	AR-5618	AR-X180	AR-5623D	AR-5620D	AR-X200D	AR-5618D	AR-5623DA	
		Philippines	Other	ALL	Taiwan	Other	Philippines	Taiwan	Other	Mexico, LAG2	Philippines	Other	ALL	Argentina						
CPNLH0064QS06				1st lot																
CPNLH0064QS07			1st lot					1st lot					1st lot			1st lot	1st lot	1st lot	1st lot	1st lot
CPNLH0064QS08	1st lot								1st lot				1st lot	1st lot						
CPNLH0064QS19						1st lot				1st lot										

② 操作部 (Operation panel section)

Matrix

No.9-2/2		キーシートメイン (Key sheet main)											
PARTS CODE	AR-5620SL AR-5620SLX												
	ALL	Japan											
CPNLH0064QS06	1st lot												
CPNLH0064QS09		1st lot											

No.10		キーシートサブ (Key sheet sub)											
PARTS CODE	AR-5623N AR-X230N AR-5620N AR-5618N												
	AR-5620S AR-5618S AR-X180S												
AR-5623 AR-5620 AR-5620NM AR-X200 AR-5618 AR-X180													
AR-5623D AR-5620D AR-X200D AR-5618D													
AR-5623DA AR-5620SL AR-5620SLX AR-181G													
CPNLH0065QS11		1st lot											
CPNLH0065QS12	1st lot							1st lot	1st lot	1st lot			
CPNLH0065QS13							1st lot				1st lot		
CPNLH0065QS14												1st lot	

No.11		操作パネルカバー (Operation panel cover)											
PARTS CODE	AR-5623N AR-X230N AR-5620N AR-5618N												
	AR-5620S AR-5618S AR-X180S												
AR-5623 AR-5620 AR-5620NM AR-X200 AR-5618 AR-X180													
AR-5623D AR-5620D AR-X200D AR-5618D													
AR-5623DA AR-5620SL AR-5620SLX AR-181G													
CCOV-0079QS05	1st lot							1st lot	1st lot	1st lot	1st lot		
CCOV-0079QS06		1st lot											
CCOV-0079QS08												1st lot	

No.15		CAキー (CA key)											
PARTS CODE	Japan	Other											
CBTN-0102QS01		1st lot											
CBTN-0102QS02	1st lot												

No.22		特殊キー (Special function key)											
PARTS CODE	AR-5623N AR-X230N AR-5620N AR-5618N												
	AR-5620S AR-5618S AR-X180S												
AR-5623 AR-5620 AR-5620NM AR-X200 AR-5618 AR-X180													
AR-5623D AR-5620D AR-X200D AR-5618D													
AR-5623DA AR-5620SL AR-5620SLX AR-181G													
JBTN-0110QSZZ	1st lot							1st lot	1st lot				
JBTN-0110QSZZ2		1st lot											
JBTN-0110QSZZ1							1st lot			1st lot	1st lot		

No.23		短縮キー (Contracted key)											
PARTS CODE	AR-5623N AR-X230N AR-5620N AR-5618N												
	AR-5623 AR-5620 AR-5620NM AR-X200 AR-5618 AR-X180												
AR-5623D AR-5620D AR-X200D AR-5618D													
AR-5623DA AR-5620SL AR-5620SLX AR-181G													
CBTN-0107QS01	1st lot							1st lot	1st lot	1st lot			
JBTN-0107QSZZ											1st lot		

② 操作部 (Operation panel section)

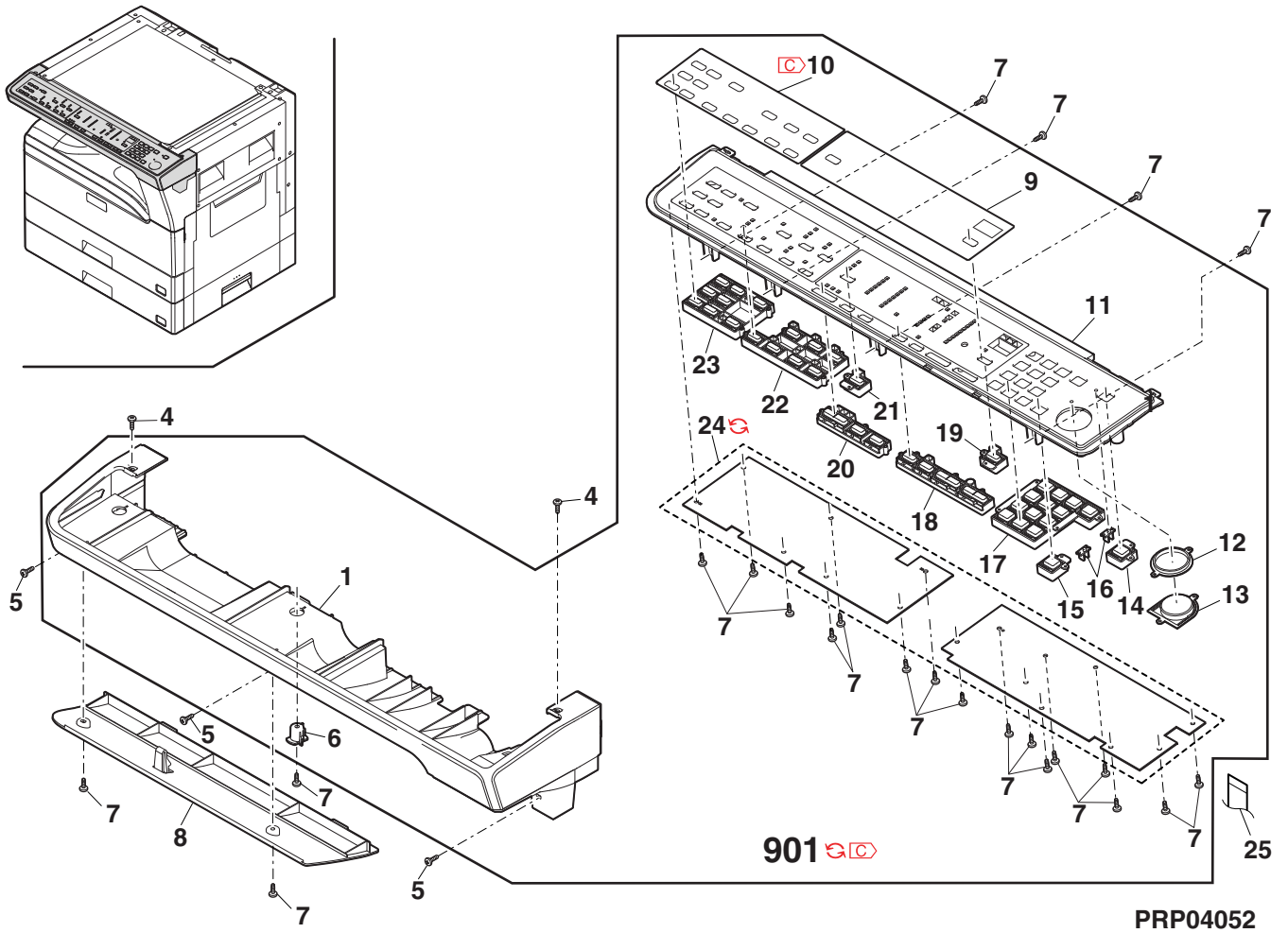
Matrix

No.24		操作基板 (Operation PWB)											
PARTS CODE	AR-5623N AR-X230N		AR-5620N		AR-5618N	AR-5620S AR-5618S AR-X180S	AR-5623D AR-5620D AR-X200D AR-5618D	AR-5623DA	AR-5623 AR-5620 AR-5620NM AR-X200	AR-5618 AR-X180	AR-5620SL AR-5620SLX	AR-181G	
	Australia, New Zealand	Other	Malaysia, Vietnam, Australia, New Zealand	Other	ALL	ALL	ALL	Argentina	ALL	Hong Kong	Other	ALL	Japan
DUNTK0717QS12						1st lot							
DUNTK0717QSZZ	1st lot	1st lot	1st lot	1st lot	1st lot								
DUNTK0717US12						Apr/11							
DUNTK0717USZZ		Apr/11		Apr/11	Apr/11		1st lot	1st lot					
DUNTK0717US11									1st lot		1st lot	1st lot	1st lot
DUNTK0717US14						Sep/11							
DUNTK0717QS11										1st lot			

No.901-1/2		操作パネルユニット (Operation panel unit)											
PARTS CODE	AR-5623N AR-X230N AR-5618N		AR-5620N	AR-5620S AR-5618S AR-X180S	AR-5623 AR-5620 AR-5620NM AR-X200	AR-5618 AR-X180			AR-5623D AR-5623DA	AR-5620D AR-5618D AR-X200D			
	ALL	Philippines	Other	ALL	Taiwan	Other	Philippines	Hong Kong	Taiwan	Other	Mexico, LAG2 Philippines	Other	ALL
CCAB-0125RS64				1st lot									
CCAB-0125US64				Apr/11									
CCAB-0125RS65	1st lot		1st lot										
CCAB-0125US65	Apr/11		Apr/11								1st lot	1st lot	
CCAB-0125US69		1st lot									1st lot		
CCAB-0125US70							1st lot						
CCAB-0125US71						1st lot			1st lot				
CCAB-0125US79					1st lot				1st lot				

No.901-2/2		操作パネルユニット (Operation panel unit)											
PARTS CODE	AR-5620SL AR-5620SLX		AR-181G										
	ALL	Japan											
CCAB-0125US74	1st lot												
CCAB-0125US66		1st lot											

2 操作部 (Operation panel section)



3 サイドユニット (Side door unit)

NO.	PARTS CODE	Inter-change	PRICE RANK		NEW MARK	PART RANK	DESCRIPTION	TR No.	Effective time
			Ex.	Ja.					
1	GDOR-0004QST2		AR	EQ		D	Right door 右ドア		
2	LRALP0004QSZ3		AH	DX		C	Right door rail 右ドアレール		
3	XHBS730P10000		AD	DD		C	Screw(3×10) ビス		
4	LPLTM0092QSZ1		AE	DJ		C	Rail reinforce plate レール補強板		
5	LPLTM0102QSZZ		AD	DJ		C	DUP roller earth plate [AR-5623N/X230N/5623D/5623DA/5620N/5620D/X200D/5618N/5618D] DUP ローラー基板		
6	LPLTM0091QSZ1		AE	DJ		C	Inner reinforce plate R インナー補強板 R		
7	XEBS730P10000		AC	DD		C	Screw(3×10) ビス		
8	LPLTM0090QSZ1		AE	DJ		C	Inner reinforce plate F インナー補強板 F		
9	MSPRC0085QSZZ		AE	DJ		C	TC case GND spring TC ケース GND スプリング		
10	LFRM-0016QSZ7		AQ	EQ		D	Right door inner N 右ドアインナー N		
11	XHBS730P16000		AA	DD		C	Screw(3×16) ビス		
12	MSPRT0141GCA1		AB	DJ		C	FU-PSV spring(Refer to Matrix) FU-PSV スプリング		
13	MSPRC0084QSZ1		AD	DJ		C	BC interface electrode spring BC 中継電極 スプリング		
14	MSPRC0083QSZ1		AD	DJ		C	TC interface electrode spring TC 中継電極 スプリング		
15	LHLDZ0033QSZ2		AD	DJ		C	TC terminal interface holder TC 端子中継ホルダー		
16	MSPRC0082QSZ1		AC	DJ		C	Transfer pressure spring 転写圧接用 スプリング		
17	NRÖLP1122FCZZ		AF	DS		C	PS upper roller [AR-5623N/X230N/5623D/5623DA/5620N/5620D/X200D/5618N/5618D] PS 上ローラー		
19	LSUPP0003QSZ1		AD	DJ		C	Right door roller rib [AR-5623N/X230N/5623D/5623DA/5620N/5620D/X200D/5618N/5618D] 右ドアローラーリブ		
20	NGERH0074QSZZ		AD	DJ		C	DUP roller drive gear [AR-5623N/X230N/5623D/5623DA/5620N/5620D/X200D/5618N/5618D] DUP ローラー駆動ギヤ		
21	NRÖLP0036QSZZ		AP	EQ		C	DUP transport roller(Refer to Matrix) DUP 搬送ローラー		
21	NRÖLP0036QSZ1	1	AL	EB		C	DUP transport roller(Refer to Matrix) DUP 搬送ローラー		
22	LBSHZ0303FCZZ		AC	DJ		C	M bushing C [AR-5623N/X230N/5623D/5623DA/5620N/5620D/X200D/5618N/5618D] M ブッシング C		
23	XRESP40-06000		AA	DD		C	E type ring(E4) [AR-5623N/X230N/5623D/5623DA/5620N/5620D/X200D/5618N/5618D] E リング		
24	XPSSJ20-07000		AA	DD		C	Spring pin [AR-5623N/X230N/5623D/5623DA/5620N/5620D/X200D/5618N/5618D] スプリングピン		
25	MSPRC0319QSZZ		AB	DJ		C	Right door knob spring 右ドアノブ スプリング		
26	JKNBZ0008QST1		AF	DS		C	Right door knob 右ドアノブ		
	(Unit)								
901	CDOR-0004RS59		BA	FX		E	Side door unit(Refer to Matrix) サイドドアユニット		
901	CDOR-0004US59	1	BF	GN	N	E	Side door unit(Refer to Matrix) サイドドアユニット		
901	CDOR-0004RS60		BC	GD		E	Side door unit(Refer to Matrix) サイドドアユニット		
901	CDOR-0004US60	1	BG	GT	N	E	Side door unit(Refer to Matrix) サイドドアユニット		

Matrix

No.12	FU-PSV スプリング (FU-PSV spring)											
PARTS CODE	AR-5623N AR-X230N			AR-5620N			AR-5618N			AR-5623D AR-5620D AR-X200D AR-5618D		AR-5623DA
	Germany, Switzerland, France, Spain, Italy	India, Singapore, Malaysia, Vietnam	Australia, New Zealand	Other	Germany, Switzerland, France, Spain, Italy	India, Malaysia, Vietnam	Australia, New Zealand	Other	Germany, Switzerland, France, Spain, Italy	India, Singapore, Malaysia, Vietnam	Other	ALL
MSPRT0141GCA1	1st lot	1st lot	1st lot		1st lot	1st lot	1st lot		1st lot	1st lot		

③ サイドドアユニット (Side door unit)

Matrix

No.21-1/2	DUP 搬送ローラー (DUP transport roller)													
PARTS CODE	AR-5623N AR-X230N				AR-5620N				AR-5618N					
	Germany, Switzerland, France, Spain, Italy	India, Singapore, Malaysia, Vietnam	Australia, New Zealand	Russia	Other	Germany, Switzerland, France, Spain, Italy	India, Malaysia, Vietnam	Australia, New Zealand	Philippines	Other	Germany, Switzerland, France, Spain, Italy	India, Singapore, Malaysia, Vietnam	Russia	Other
NRÖLP0036QSZZ	1st lot	1st lot	1st lot		1st lot	1st lot	1st lot		1st lot	1st lot	1st lot	1st lot		1st lot
NRÖLP0036QSZ1	Mar/11	Mar/11	Mar/11	1st lot	May/11	Mar/11	Mar/11	Mar/11	1st lot	May/11	Mar/11	Mar/11	1st lot	May/11

No.21-2/2	DUP 搬送ローラー (DUP transport roller)													
PARTS CODE	AR-5623D AR-5620D AR-X200D AR-5618D	AR-5623DA												
	ALL	Argentina												
NRÖLP0036QSZ1	1st lot	1st lot												

No.901	サイドドアユニット (Side door unit)													
PARTS CODE	AR-5623N AR-X230N AR-5620N AR-5618N	AR-5620S AR-5618S AR-X180S	AR-5623 AR-5620 AR-5620NIM AR-X200	AR-5618 AR-X180	AR-5620SL AR-5620SLX	AR-5623D AR-5620D AR-X200D AR-5618D	AR-5623DA	AR-181G						
	ALL	ALL	ALL	Hong Kong	Other	ALL	ALL	Argentina	Japan					
CDOR-0004RS59		1st lot		1st lot										
CDOR-0004US59		Apr/11	1st lot		1st lot	1st lot			1st lot					
CDOR-0004RS60	1st lot													
CDOR-0004US60	Apr/11						1st lot	1st lot						

4 光学ユニット1(Optical unit 1)

NO.	PARTS CODE	Inter-change	PRICE RANK		NEW MARK	PART RANK	DESCRIPTION	TR No.	Effective time
			Ex.	Ja.					
1	PCASZ0014QSZZ		BN	LE		D	Dark box(Refer to Matrix) 暗箱		
	PCASZ0010QSZZ		AL	EB		D	Dark box(Refer to Matrix) 暗箱		
	Ⓢ PCASZ0014RSZZ	-	AK	EB	N	D	Dark box(Refer to Matrix) [Missing parts code] 暗箱		
2	XHBS730P06000		AC	DD		C	Screw(3×6) ビス		
3	DHAi-0342QSZZ		AG	DX		C	CCD harness CCD ハーネス		
4	RCORF0018QSZZ		AR	EQ		C	Core コア		
5	PTPE-0050QSZZ		AA	DJ		C	Core fixing tape コア固定テープ		
6	XHBS730P06KS0		AC	DD		C	Screw(3×6KS) ビス		
7	CLNS-0017RS51		BK	HC		E	Lens unit(Refer to Matrix) レンズユニット		
	Ⓢ CLNS-0017US51	1	BM	HR		E	Lens unit(Refer to Matrix) レンズユニット		
	Ⓢ CLNS-0007US55	-	BR	MJ	N	E	Lens unit(Refer to Matrix) [Missing parts code] レンズユニット		
	Ⓢ CLNS-0017RS53	-	BH	GX	N	E	Lens unit(Refer to Matrix) [Missing parts code] レンズユニット		
	CLNS-0017US54		BM	HR		E	Lens unit(Refer to Matrix) レンズユニット		
16	PSHEZ0217QSZZ		AC	DJ		C	CCD harness protect mylar B CCD ハーネス保護 ミラー B		
19	PGUMS0004QSZZ		AA	DJ		C	Table glass rubber テープ 粘着剤		
20	LHLDZ0104QSZZ		AD	DJ		C	CL lead holder CL リードホルダー		
21	PSHEZ0426QSZZ		AB	DJ		C	OP harness protect mylar B OP ハーネス保護 ミラー B		
	Ⓢ PSHEZ0426QSZZ	-	AB	DJ		C	OP harness protect mylar B OP ハーネス保護 ミラー B	11/08R/C	
22	PSHEZ0468QSZZ		AB	DJ		C	Optical right hole mylar A 光学右穴ミラー A		
23	PSHEZ0631QSZZ		AA	DJ		C	Optical mylar CHN 光学ミラー-CHN		
24	PSHEZ0420QSZZ		AC	DJ		C	OP harness protect mylar OP ハーネス保護 ミラー		
25	PSHEZ0469QSZZ		AA	DJ		C	Optical right hole mylar B [Japan,Hong Kong] 光学右穴ミラー B		
26	PSHEZ0448QSZZ		AA	DJ		C	Optical base plate bottom mylar A 光学台板底 ミラー A		
	★ PSHEZ0448QSZZ	-	AA	DJ		C	Optical base plate bottom mylar A 光学台板底 ミラー A	11/06 R/C	
28	PSHEZ0273QSZZ		AB	DJ		C	CCD harness fixing mylar(Refer to Matrix) CCD ハーネス押え ミラー		
	Ⓢ PSHEZ0273QSZ1	1	AC	DJ		C	CCD harness fixing mylar(Refer to Matrix) CCD ハーネス押え ミラー		
	Ⓢ PSHEZ0273QSZZ	1	AB	DJ		C	CCD harness fixing mylar(Refer to Matrix) CCD ハーネス押え ミラー		
	PSHEZ0273QSZ1		AC	DJ		C	CCD harness fixing mylar(Refer to Matrix) CCD ハーネス押え ミラー		
29	PTPE-0051QSZZ		AC	DJ		C	OP harness fixing tape OP ハーネス固定 テープ		
37	PMLT-0033QSZZ		AC	DJ		C	Optical cushion D 光学墊 D		
39	PSHEZ0440QSZZ		AC	DJ		C	Optical front hole mylar 光学前穴ミラー		
42	PSHEZ0418QSZZ		AC	DJ		C	Optical frame front mylar [Hong Kong] 光学フレーム前ミラー		
49	XBBS730P08000		AA	DD		C	Screw(3×8) ビス		
50	CPWBF0147QSF8		AL	EB		E	MHPS PWB(Refer to Matrix) MHPS 基板		
	Ⓢ CPWBF0191US62	1	AR	EQ		E	MHPS PWB(Refer to Matrix) MHPS 基板		
58	PMLT-0136QSZZ		AC	DJ		C	Optical cushion CHN 光学墊 CHN		
901	(Unit)								
	DUNT-0829US15		BZ	TF		E	Optical unit(Refer to Matrix) [Include]21-25,[5],[6],[7] 光学ユニット		
	DUNT-0829US22					E	Optical unit(Refer to Matrix) [Include]21-25,[5],[6],[7] 光学ユニット		

Matrix

No.1	暗箱 (Dark box)																					
PARTS CODE	AR-5623N	AR-X230N	AR-5620N	AR-5618N	AR-5620S	AR-5618S	AR-X180S	AR-5623	AR-5620	AR-5620NM	AR-X200	AR-5618	AR-X180	AR-5623D	AR-5620D	AR-X200D	AR-5618D	AR-5623DA	AR-5620SL	AR-5620SLX	AR-181G	
	ALL	ALL	ALL					Hong Kong	Other	ALL	Argentina	ALL	Japan									
PCASZ0014QSZZ	1st lot	1st lot	1st lot									1st lot		1st lot	1st lot	1st lot	1st lot	1st lot	1st lot			
PCASZ0010QSZZ																			1st lot			
Ⓢ PCASZ0014RSZZ								1st lot														

4 光学ユニット1(Optical unit 1)

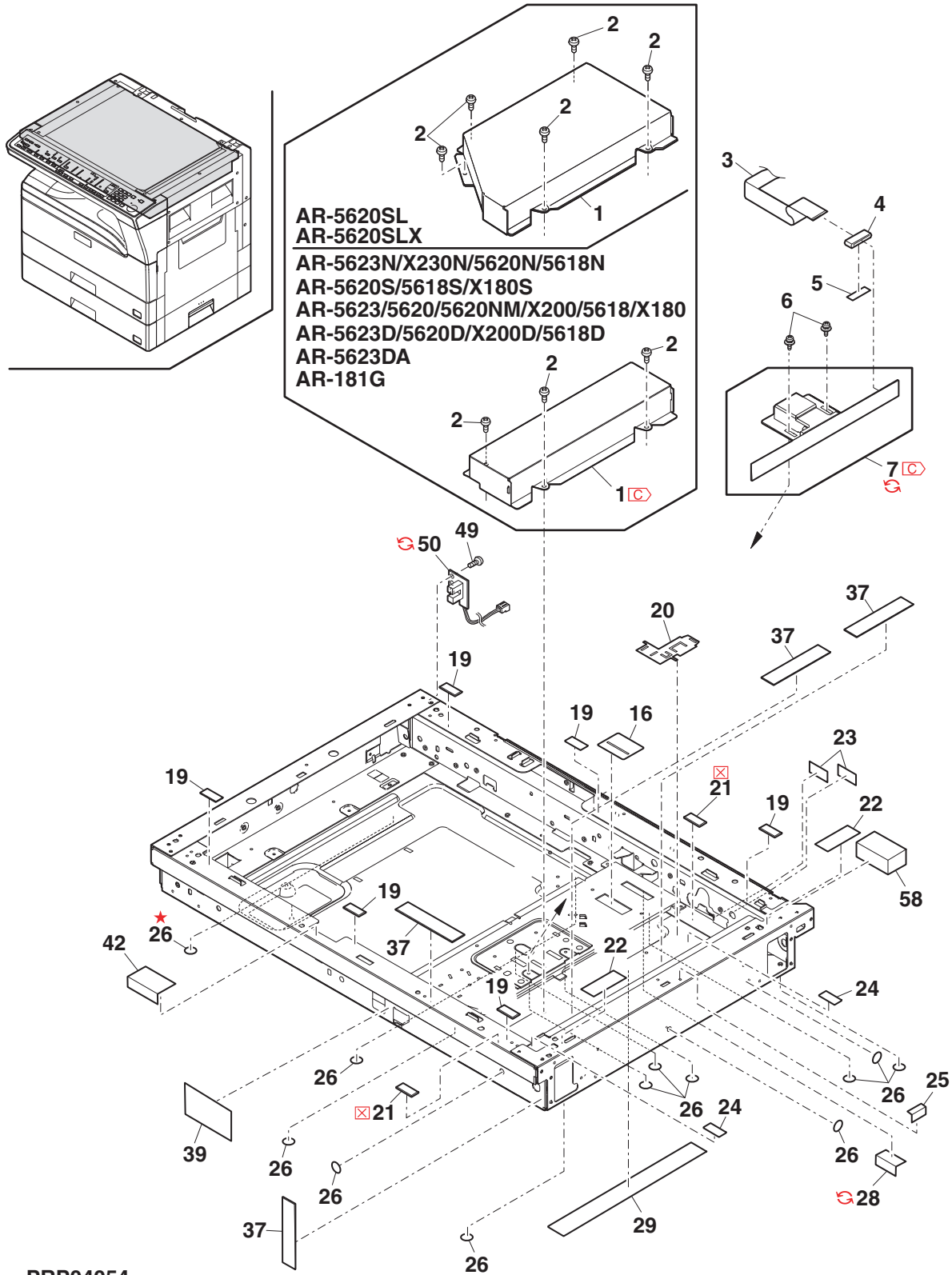
Matrix

No.7	レンズユニット (Lens unit)											
PARTS CODE	AR-5623N AR-X230N AR-5620N AR-5618N	AR-5620S AR-5618S AR-X180S	AR-5623 AR-5620 AR-5620NM AR-X200	AR-5618 AR-X180	AR-5623D AR-5620D AR-X200D AR-5618D	AR-5623DA	AR-5620SL AR-5620SLX	AR-181G				
	ALL	ALL	Taiwan Other	Hong Kong Taiwan Other	ALL	Argentina	ALL	Japan				
CLNS-0017RS51	1st lot	1st lot										
CLNS-0017US51	Apr/11	Apr/11	1st lot					1st lot		1st lot		
CLNS-0007US55									1st lot			
CLNS-0017RS53				1st lot								
CLNS-0017US54			1st lot		1st lot							

No.28	CCD ハーネス押えマイラー (CCD harness fixing mylar)											
PARTS CODE	AR-5623N AR-X230N	AR-5620N	AR-5618N	AR-5620S AR-5618S AR-X180S	AR-5623 AR-5620 AR-5620NM AR-X200	AR-5618 AR-X180	AR-5623D AR-5620D AR-X200D AR-5618D	AR-5623DA	AR-5620SL AR-5620SLX	AR-181G		
	Australia, New Zealand Other	Malaysia, Vietnam, Australia, New Zealand Other	ALL	ALL	ALL	Hong Kong Other	ALL	Argentina	ALL	Japan		
PSHEZ0273QSZZ	1st lot	Nov/11	1st lot	Nov/11	Nov/11	Nov/11	Nov/11	1st lot	Nov/11	Nov/11	Nov/11	Nov/11
PSHEZ0273QSZ1		Apr/11		Apr/11	Apr/11	Apr/11	1st lot		1st lot	1st lot	1st lot	1st lot

No.50	MHPS 基板 (MHPS PWB)											
PARTS CODE	AR-5623N AR-X230N	AR-5620N	AR-5618N	AR-5620S AR-5618S AR-X180S	AR-5623 AR-5620 AR-5620NM AR-X200	AR-5618 AR-X180	AR-5623D AR-5620D AR-X200D AR-5618D	AR-5623DA	AR-5620SL AR-5620SLX	AR-181G		
	Australia, New Zealand Other	Malaysia, Vietnam, Australia, New Zealand Other	ALL	ALL	ALL	Hong Kong Other	ALL	Argentina	ALL	Japan		
CPWBF0147QSF8	1st lot	1st lot	1st lot	1st lot	1st lot	1st lot		1st lot				
CPWBF0191US62		Apr/11		Apr/11	Apr/11	Apr/11	1st lot		1st lot	1st lot	1st lot	1st lot

4 光学ユニット 1(Optical unit 1)



5 光学ユニット2(Optical unit 2)

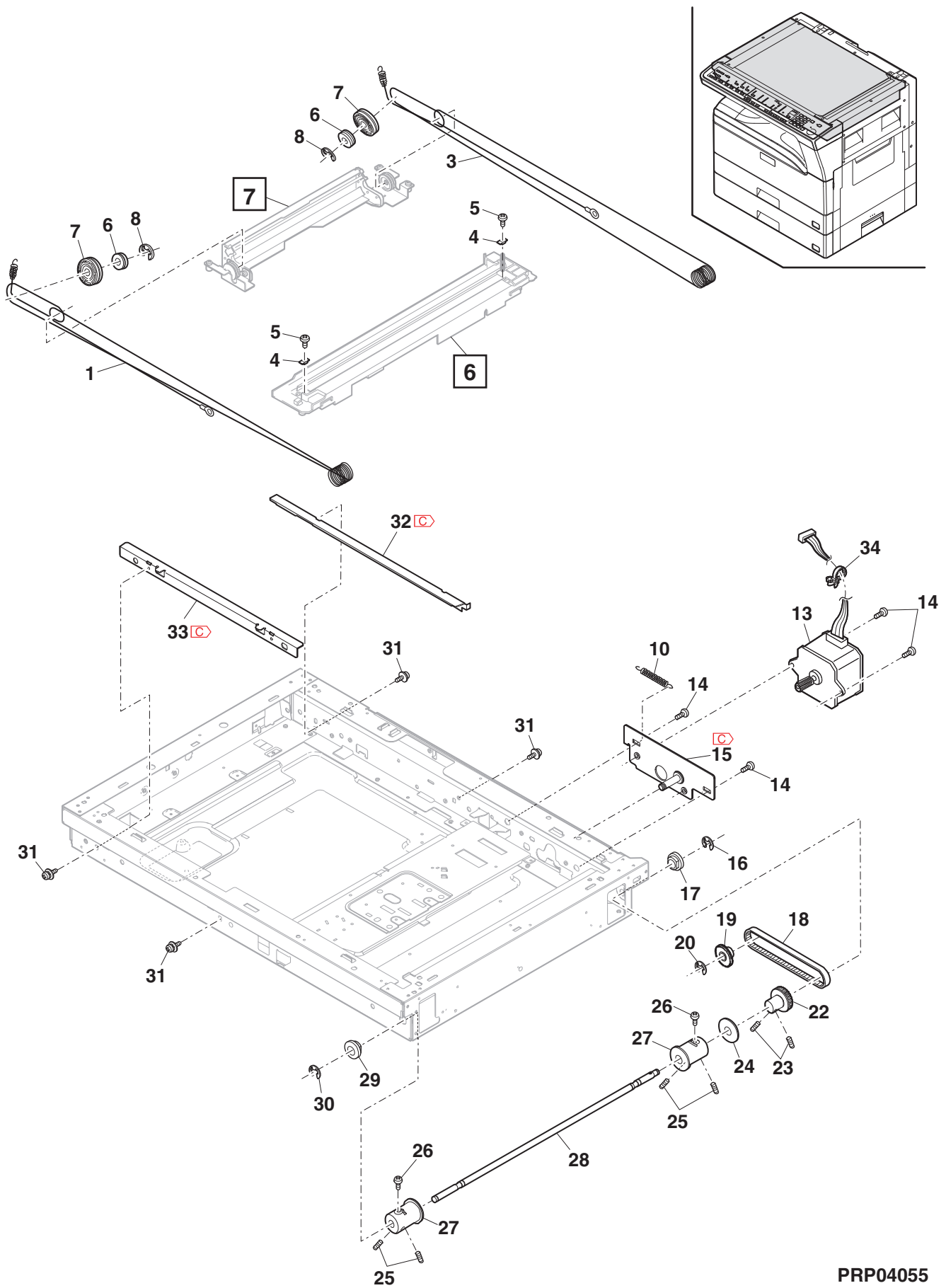
Matrix

No.15		ミラーモーター取付板 (Mirror motor fixing plate)											
PARTS CODE	Hong Kong	Other											
Ⓒ CPLTM0430RS02	1st lot												
CPLTM0430QS02		1st lot											

No.32		MB-B レール R(MB-B rail R)											
PARTS CODE	Hong Kong	Other											
LRALM0007QSZ2		1st lot											
Ⓒ LRALM0007RSZ2	1st lot												

No.33		MB-B レール F(MB-B rail F)											
PARTS CODE	Hong Kong	Other											
LRALM0006QSZ1		1st lot											
Ⓒ LRALM0006RSZ1	1st lot												

5 光学ユニット2(Optical unit 2)



PRP04055

6 ランプユニット (Lamp unit)

NO.	PARTS CODE	Inter-change	PRICE RANK		NEW MARK	PART RANK	DESCRIPTION	TR No.	Effective time
			Ex.	Ja.					
1	PREFL0006QSZZ		AK	DX		C	Sub reflector(Refer to Matrix)		
	PREFL0006QSZ1		AK	DX		C	Sub reflector(Refer to Matrix)		
2	XEBS830P06000		AB	DD		C	Screw(3×6)		
	XEBS730P06000	1	AA	DD		C	Screw(3×6)		11/04
3	PREFL0005QSZZ		AH	DX		C	Lamp reflector		
4	RLMPD0033QSZZ		AS	EQ		B	Lamp(Refer to Matrix)		
	RLMPD0034QSZZ		AS	EQ		B	Lamp(Refer to Matrix)		
5	TLABZ4335FCZZ		AB	DJ		D	High temperature caution label		
6	MSLi-0138FCZZ		AC	DJ		C	Slider		
7	PCUSU0203FCZZ		AE	DS		C	Vibration proof cushion		
8	MSPRP2825FCZZ		AC	DJ		C	Mirror spring		
9	LDAiU0030QSZZ		AS	EQ		D	Lamp base		
10	PCUSS0033QSZZ		AC	DJ		C	Mirror cushion N		
11	LPLTM0314QSZ1		AC	DJ		C	Wire support plate		
12	PMiR-0164FCZZ		AP	EQ		B	1st mirror		
13	LFiX-0023QSZZ		AC	DJ		C	Harness fixing plate		
14	DHAi-0332QSZZ		AE	DJ		C	CL harness		
15	RiNV-0002QSZZ		AU	EZ		E	Inverter(Refer to Matrix)		
	RiNV-0003QSZZ		BF	GN		E	Inverter(Refer to Matrix)		
16	PSHEZ0465QSZZ		AC	DJ		C	Lamp mylar [AR-5620SL/5620SLX]		
	(Unit)								
901	CREFL0005RS65		BC	GD		E	Copy Lamp unit(Refer to Matrix)		
	CREFL0005US62		BE	GN		E	Copy Lamp unit(Refer to Matrix)		

Matrix

No.1	サブリフレクター (Sub reflector)																							
PARTS CODE	AR-5623N	AR-X230N	AR-5620N	AR-5618N	AR-5620S	AR-5618S	AR-X180S	AR-5623	AR-5620	AR-5620NM	AR-X200	AR-5618	AR-X180	AR-5623D	AR-5620D	AR-X200D	AR-5618D	AR-5623DA	AR-5620SL	AR-5620SLX	AR-181G			
PREFL0006QSZZ	1st lot				1st lot					1st lot				1st lot				1st lot						
PREFL0006QSZ1																			1st lot					

No.4	ランプ (Lamp)																							
PARTS CODE	AR-5623N	AR-X230N	AR-5620N	AR-5618N	AR-5620S	AR-5618S	AR-X180S	AR-5623	AR-5620	AR-5620NM	AR-X200	AR-5618	AR-X180	AR-5623D	AR-5620D	AR-X200D	AR-5618D	AR-5623DA	AR-5620SL	AR-5620SLX	AR-181G			
RLMPD0033QSZZ	1st lot				1st lot					1st lot				1st lot				1st lot						
RLMPD0034QSZZ																			1st lot					

No.15	インバーター (Inverter)																					
PARTS CODE	AR-5623N	AR-X230N	AR-5620N	AR-5618N	AR-5620S	AR-5618S	AR-X180S	AR-5623	AR-5620	AR-5620NM	AR-X200	AR-5618	AR-X180	AR-5623D	AR-5620D	AR-X200D	AR-5618D	AR-5623DA	AR-5620SL	AR-5620SLX	AR-181G	
	Australia, New Zealand	Other	Malaysia, Vietnam Australia, New Zealand	Other	ALL	Other	ALL	Hong Kong	Other	ALL	Argentina	ALL	Japan									
RiNV-0002QSZZ	1st lot	1st lot	1st lot	1st lot	1st lot	1st lot	1st lot	1st lot	1st lot	1st lot	1st lot	1st lot	1st lot	1st lot	1st lot	1st lot	1st lot	1st lot	1st lot	1st lot	1st lot	1st lot
RiNV-0003QSZZ		Apr/11		Apr/11	Apr/11	Apr/11	1st lot		1st lot	1st lot	1st lot	1st lot	1st lot	1st lot	1st lot	1st lot	1st lot	1st lot	1st lot	1st lot	1st lot	1st lot

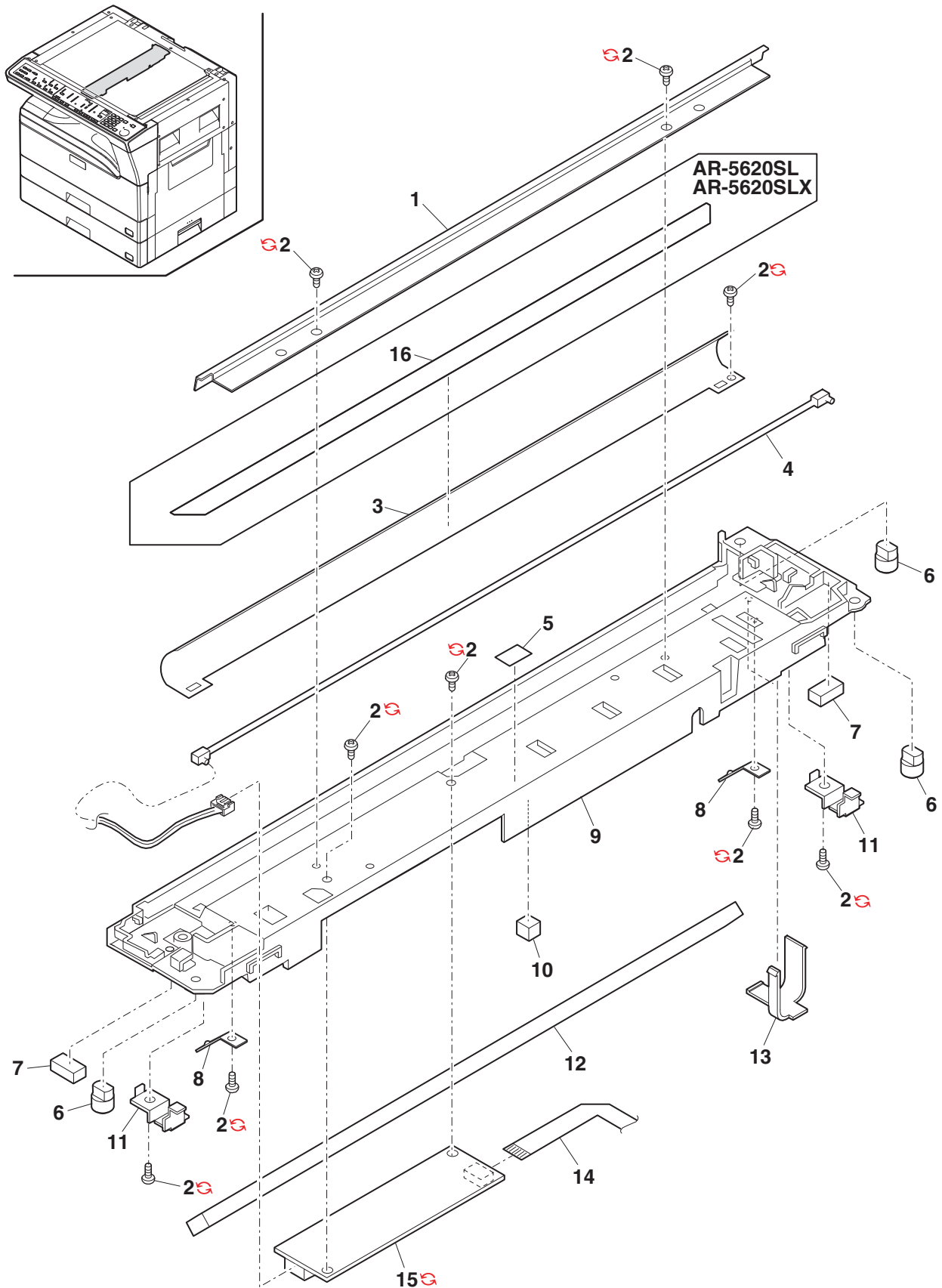
6 ランプユニット (Lamp unit)

Matrix

No.901-1/2		コピーランプユニット (Copy Lamp unit)													
PARTS CODE	AR-5623N AR-X230N			AR-5620N			AR-5618N			AR-5620S AR-5618S AR-X180S					
	Germany, Switzerland, France, Spain, Italy	India, Singapore, Malaysia, Vietnam	Australia, New Zealand	Other	Germany, Switzerland, France, Spain, Italy	India, Malaysia, Vietnam	Australia, New Zealand	Other	Germany, Switzerland, France, Spain, Italy	India, Singapore, Malaysia, Vietnam	Other	Germany, Switzerland, France	India	Lebanon, Nigeria, Algeria, Egypt, Jordan, Tunisia, Morocco	Other
CREFL0005RS65	1st lot	1st lot	1st lot		1st lot	1st lot	1st lot		1st lot	1st lot		1st lot	1st lot	1st lot	
CREFL0005US62				1st lot				1st lot			1st lot				1st lot

No.901-2/2		コピーランプユニット (Copy Lamp unit)																
PARTS CODE	AR-5623 AR-5620 AR-5620NM AR-X200		AR-5618 AR-X180		AR-5623D AR-5620D AR-X200D AR-5618D		AR-5623DA	AR-5620SL AR-5620SLX		AR-181G								
	ALL	Hong Kong	Other	ALL	Argentina	ALL	Japan											
CREFL0005RS65		1st lot																
CREFL0005US62	1st lot		1st lot	1st lot	1st lot		1st lot											

6 ランプユニット (Lamp unit)



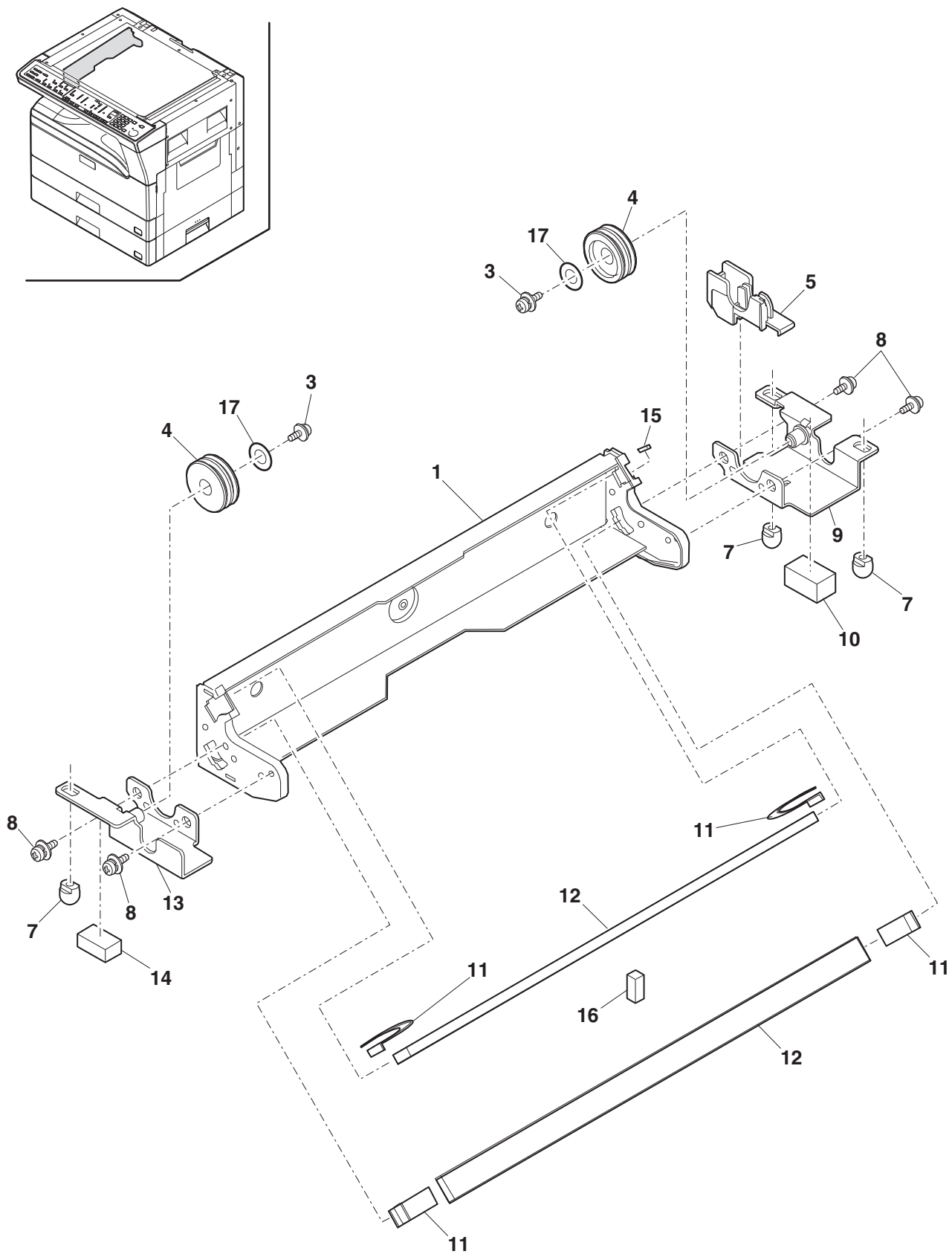
7 第 2,3 ミラ-ユニット (2nd,3rd mirror unit)

NO.	PARTS CODE	Inter-change	PRICE RANK		NEW MARK	PART RANK	DESCRIPTION	TR No.	Effective time
			Ex.	Ja.					
1	LHLDZ0044QSZZ		AN	EG		C	2nd,3rd mirror holder		第 2,3 ミラ-ホルダ-
3	XBPS740P06KS0		AB	DD		C	Screw(4x6KS)		ビス
4	NPLYZ0017QSZZ		AE	DS		C	W pulley		Wプ-リー
5	LHLDZ0013QSZZ		AD	DJ		C	CL guide holder		CLガイドホルダ-
7	MSLi-0138FCZZ		AC	DJ		C	Slider		スベリ材
8	LX-BZ0335FCPZ		AB	DD		C	Screw(4x6 Red)		ビス
9	CPLTM0156QS03		AH	DX		C	Pulley fixing plate R		プ-リー取付板 R
10	PCUSS0009QSZZ		AA	DJ		C	MB-B cushion R		MB-Bクッション R
11	LFiX-0284FCZZ		AC	DD		C	2nd,3rd mirror fixing plate F		第 2,3 ミラ-押え板 F
12	PMiR-0008QSZ1		BA	FX		B	2nd,3rd mirror		第 2,3 ミラ-
13	CPLTM0155QS03		AH	DX		C	Pulley fixing plate F		プ-リー取付板 F
14	PCUSS0201FCZZ		AA	DD		C	MB-B cushion		MB-Bクッション
15	PSPAZ0011QSZZ		AD	DJ		C	Mirror spacer		ミラ-スペ-サー
16	PMLT-0084QSZZ		AB	DJ		C	2nd,3rd mirror cushion		第 2,3 ミラ-モルト
17	LX-WZ0001GCZZ		AB	DD		C	Washer		ワッシャー
	(Unit)								
901	CMiR-0008QS37		BA	FX		E	2nd,3rd mirror unit(Refer to Matrix)		第 2,3 ミラ-ユニット
	CMiR-0008US37		AX	FG		E	2nd,3rd mirror unit(Refer to Matrix)		第 2,3 ミラ-ユニット

Matrix

No.901	第 2,3 ミラ-ユニット (2nd,3rd mirror unit)																								
PARTS CODE	AR-5623N	AR-X230N		AR-5620N			AR-5618N	AR-5620S	AR-5618S	AR-X180S	AR-5623	AR-5620	AR-5620NM	AR-X200	AR-5618	AR-X180	AR-5623D	AR-5620D	AR-X200D	AR-5618D	AR-5623DA	AR-5620SL	AR-5620SLX	AR-181G	
	Australia, New Zealand	Other	Malaysia, Vietnam, Australia, New Zealand	Other	ALL	ALL	ALL	Hong Kong	Other	ALL	Argentina	ALL	Japan												
CMiR-0008QS37	1st lot	1st lot	1st lot	1st lot	1st lot	1st lot	1st lot		1st lot					1st lot											
CMiR-0008US37		Apr/11			Apr/11	Apr/11	Apr/11		1st lot					1st lot			1st lot	1st lot	1st lot	1st lot	1st lot	1st lot	1st lot	1st lot	1st lot

7 第 2,3 ミラーユニット (2nd,3rd mirror unit)



PRP04057

8 中間フレームユニット (Middle frame unit)

NO.	PARTS CODE	Inter-change	PRICE RANK		NEW MARK	PART RANK	DESCRIPTION	TR No.	Effective time
			Ex.	Ja.					
1	XEPS723P12000		AA	DD		C	Screw(2.3×12)		ビス
2	CSW-M0007RS57		AQ	EQ		B	Interlock switch(Refer to Matrix)		インターロック SW
2	CSW-M0007US57	1	AT	EZ		B	Interlock switch(Refer to Matrix)		インターロック SW
3	NCPL-0007QSZ1		AC	DJ		C	Hopper coupling		ホッパー-カップ リング
4	MSPRC0024QSZ1		AC	DJ		C	Hopper spring		ホッパー-スプリング
5	RMOTD0035QSP1		AZ	FX		B	Toner motor		トナーモーター
6	XEBS730P10000		AC	DD		C	Screw(3×10)		ビス
7	DUNTK0959QSZZ		BV	NU		E	LSU UN		LSU UN
8	DHAi-0322QSZZ		AS	EQ		C	DEV harness		DEV ハーネス
9	XBPSC30P06ES0		AA	DD		C	Screw(3×6)		ビス
10	CHAi-0109RS52		AN	EG		C	GB-MCFB harness unit(Refer to Matrix)		GB-MCFB ハーネスユニット
10	CHAi-0109US52	1	AG	DS		C	GB-MCFB harness unit(Refer to Matrix)		GB-MCFB ハーネスユニット
11	CHAi-0107RS52		AM	EG		C	MC harness unit(Refer to Matrix)		MC ハーネスユニット
11	CHAi-0107US52	1	AE	DJ		C	MC harness unit(Refer to Matrix)		MC ハーネスユニット
12	MSPRD0104QSZZ		AC	DJ		C	HV terminal spring (case)(Refer to Matrix)		高圧端子スプリング (ケース)
12	MSPRD0485QSZZ	3	AC	DD		C	HV terminal spring (case)(Refer to Matrix) [For functional stability]		高圧端子スプリング (ケース)
13	MSPRD0103QSZZ		AC	DJ		C	HV terminal spring (grid)		高圧端子スプリング (グリッド)
14	MSPRD0102QSZZ		AC	DJ		C	HV terminal spring (saw)		高圧端子スプリング (ノコギリ)
15	LHLDZ0038QSC1		AH	DX		C	HV terminal holder		高圧端子ホルダー
16	XEBS730P08000		AC	DD		C	Screw(3×8)		ビス
17	LFRM-0113QSZZ		BN	LE		D	Middle frame(Refer to Matrix)		中間フレーム
17	LFRM-0113RSZZ	-	BA	FX	N	D	Middle frame(Refer to Matrix) [Missing parts code]		中間フレーム
21	LHLDZ0039QSZ1		AD	DJ		C	HV terminal holder TC		高圧端子ホルダー TC
22	LPLTM0067QSZZ		AC	DJ		C	TC terminal plate		TC 端子板
23	XEBS730P06000		AA	DD		C	Screw(3×6)		ビス
24	DHAi-0550QSPZ		AK	DX		C	BC harness		BC ハーネス
24	DHAi-0550QSP1	1	BD	GJ		C	BC harness		BC ハーネス
25	DHAi-0108QSZ1		AH	DX		C	TC harness		TC ハーネス
26	MSPRC0431QSZZ		AC	DJ		C	PS pressure spring		PS 加圧スプリング
27	XRESP40-06000		AA	DD		C	E type ring(E4)		E リング
28	NSFTZ0134QSZZ		AT	EZ		C	PS follower shaft		PS 従動ローラー軸
29	NKOM-0001QSZZ		AD	DJ		C	PS collar(φ12)		PS コリ
30	MSPRD0139QSZZ		AB	DJ		C	PS earth spring		PS アーススプリング
32	LBNDJ0013FCZ1		AE	DJ		C	Cable band		ケーブルバンド
32	LBNDJ0037FCZ1	1	AA	DJ		C	Cable band		ケーブルバンド
33	LPLTM0424QSZZ		AD	DJ		C	Connector fixing plate		コネクタ取付板
34	LX-BZ0020QSPZ		AB	DD		C	Screw		ビス
35	DHAi-0558QSPZ		AL	EB		C	CRM MCU harness		CRM MCU ハーネス
36	XHBS730P06000		AC	DD		C	Screw(3×6)		ビス
37	PSHEZ0625QSZZ		AB	DD		C	PS rear guide sheet CHN		PS 後ガイドシート CHN
38	NBRGC0018QSZZ		AD	DJ		C	Bearing E		軸受 E
39	XRESP60-08000		AA	DD		C	E type ring(E6)		E リング
40	NR0LP0188QSZ1		AR	EQ		C	PS roller		PS ローラー
40	NR0LP0167QSZZ	1	AR	EQ		C	PS transport roller		PS 搬送ローラー
41	JKNBZ0003QSZZ		AD	DJ		C	PS knob		PS ノブ
42	XBPS730P10KS0		AB	DD		C	Screw(3×10KS)		ビス
43	LX-WZ0198FCZ1		AA	DD		C	Poly slider(T=0.13)		ポリスライダ
44	LSTPP0014QSZZ		AC	DJ		C	Right door stopper		右ドアストップ
45	MSPRD0298QSZZ		AD	DJ		C	Stopper spring		ストップスプリング
46	LHLDZ0099QSZZ		AC	DJ		C	Stopper holder		ストップホルダー
47	LPiNS0032QSZZ		AN	EQ		C	TN guide pin D(Refer to Matrix)		TN ガイドピン D
47	LPiNS0034QSZZ		AC	DD		C	TN guide pin C(Refer to Matrix)		TN ガイドピン C
50	PSHEZ0658QSZZ		AR	EQ		C	Doctor front sheet		ドクター前シート
52	LPLTM0586QSZZ		AC	DD		C	M3 plate SIR(M3)		M3 プレート SIR
53	XEPS730P14X00		AB	DD		C	Screw(3×14X)		ビス
54	DHAi-0554QSPZ		AN	EG		C	LSU MCU harness		LSU MCU ハーネス
55	PMLT-0135QSZZ		AC	DJ		C	PG cushion		PG 毛布
56	PSHEZ0691QSZZ		AB	DD		C	LSU sheet1		LSU シート 1
57	PSHEZ0692QSZZ		AB	DD		C	LSU sheet2		LSU シート 2
58	LPLTM0580QSZZ		BN	LE		C	Middle frame reinforce plate(Refer to Matrix)		中間フレーム補強板
58	LPLTM0580RSZZ	-	AH	DX	N	C	Middle frame reinforce plate(Refer to Matrix) [Missing parts code]		中間フレーム補強板
59	MSPRC0339QSZZ	-	AD	DJ		C	PS brake spring		PS ブレーキスプリング
60	LX-WZ1003HCZZ	-	AA	DD		C	Poly slider		ポリスライダ

8 中間フレームユニット (Middle frame unit)

Matrix

No.2		インターロック SW(Interlock switch)											
PARTS CODE	AR-5623N AR-X230N			AR-5620N	AR-5618N	AR-5620S AR-5618S AR-X180S	AR-5623 AR-5620 AR-5620NM AR-X200	AR-5618 AR-X180	AR-5623D AR-5620D AR-X200D AR-5618D	AR-5623DA	AR-5620SL AR-5620SLX	AR-181G	
	Australia, New Zealand	Other	Malaysia, Vietnam, Australia, New Zealand	Other	ALL	ALL	ALL	Hong Kong	Other	ALL	Argentina	ALL	Japan
CSW-M0007RS57	1st lot	1st lot	1st lot	1st lot	1st lot	1st lot		1st lot					
CSW-M0007US57		Apr/11		Apr/11	Apr/11	Apr/11	1st lot		1st lot	1st lot	1st lot	1st lot	1st lot

No.10		GB-MCFBハーネスユニット (GB-MCFB harness unit)											
PARTS CODE	AR-5623N AR-X230N			AR-5620N	AR-5618N	AR-5620S AR-5618S AR-X180S	AR-5623 AR-5620 AR-5620NM AR-X200	AR-5618 AR-X180	AR-5623D AR-5620D AR-X200D AR-5618D	AR-5623DA	AR-5620SL AR-5620SLX	AR-181G	
	Australia, New Zealand	Other	Malaysia, Vietnam, Australia, New Zealand	Other	ALL	ALL	ALL	Hong Kong	Other	ALL	Argentina	ALL	Japan
CHA i - 0109RS52	1st lot	1st lot	1st lot	1st lot	1st lot	1st lot		1st lot					
CHA i - 0109US52		Apr/11		Apr/11	Apr/11	Apr/11	1st lot		1st lot	1st lot	1st lot	1st lot	1st lot

No.11		MCハーネスユニット (MC harness unit)											
PARTS CODE	AR-5623N AR-X230N			AR-5620N	AR-5618N	AR-5620S AR-5618S AR-X180S	AR-5623 AR-5620 AR-5620NM AR-X200	AR-5618 AR-X180	AR-5623D AR-5620D AR-X200D AR-5618D	AR-5623DA	AR-5620SL AR-5620SLX	AR-181G	
	Australia, New Zealand	Other	Malaysia, Vietnam, Australia, New Zealand	Other	ALL	ALL	ALL	Hong Kong	Other	ALL	Argentina	ALL	Japan
CHA i - 0107RS52	1st lot	1st lot	1st lot	1st lot	1st lot	1st lot		1st lot					
CHA i - 0107US52		Apr/11		Apr/11	Apr/11	Apr/11	1st lot		1st lot	1st lot	1st lot	1st lot	1st lot

8 中間フレームユニット (Middle frame unit)

Matrix

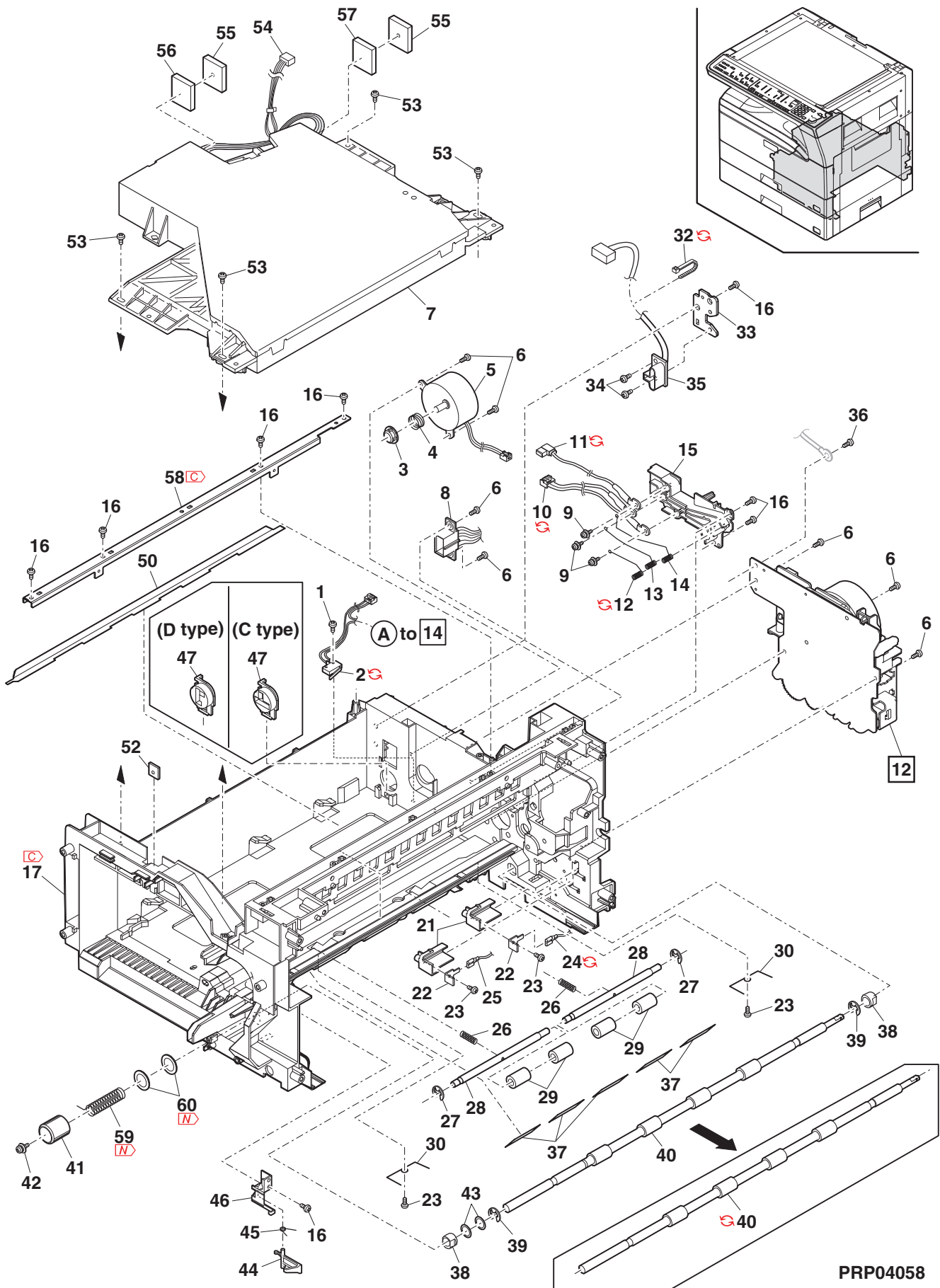
No.12	高圧端子スプリング (ケース)(HV terminal spring (case))												
PARTS CODE	Japan	Other	Hong Kong	Taiwan									
MSPRD0104QSZZ	1st lot	1st lot		1st lot									
Ⓢ MSPRD0485QSZZ		Nov/11	1st lot										

No.17	中間フレーム (Middle frame)												
PARTS CODE	Hong Kong	Other											
LFRM-0113QSZZ		1st lot											
Ⓢ LFRM-0113RSZZ	1st lot												

No.47	TNガイドピンD(TN guide pin D) TNガイドピンC(TN guide pin C)												
PARTS CODE	Japan	Germany, Switzerland, France, Spain, Italy	Australia, New Zealand	Greece, Cyprus, Turkey, Poland, Hungary,	Russia	Iran	Other						
LPINS0032QSZZ	1st lot	1st lot	1st lot	1st lot	1st lot	1st lot							
LPINS0034QSZZ							1st lot						

No.58	中間フレーム補強板 (Middle frame reinforce plate)												
PARTS CODE	Hong Kong	Other											
LPLTM0580QSZZ		1st lot											
Ⓢ LPLTM0580RSZZ	1st lot												

8 中間フレームユニット (Middle frame unit)



9 ° 0 4 2 1 0 0 0 (Process unit)

NO.	PARTS CODE	Inter-change	PRICE RANK		NEW MARK	PART RANK	DESCRIPTION	TR No.	Effective time
			Ex.	Ja.					
1	XEBS730P10000		AC	DD		C	Screw(3×10)		ビス
3	UCLEZ0009QSZ2		AQ	EQ		A	Cleaning blade		クリーニングプレート
4	PMLT-0150QSZZ		BF	GN		C	Toner shield cushion		トナーシールドモルト
5	PSEL-0130QSZZ		AF	DS		C	Moquette R		モケット R
6	PSEL-0129QSZZ		AF	DS		C	Moquette F		モケット F
9	NCPL-0003QSZ1		AC	DJ		C	Screw coupling		スクリューカップ リング
12	LHLDZ0134QSZZ		AC	DJ		A	Pawl holder		爪ホルダー
15	PTME-0046QSZZ		AF	DS		A	Separator pawl		剥離爪
16	PRNGF0106FCZ2		AC	DJ		A	Star ring N2(N2)		スターリング N2
17	LX-RZ0001QSZZ		AB	DD		A	Star ring		スターリング
18	NBRGP0299FCPZ		AD	DJ		C	CL bearing		CL 軸受
19	NSFTZ0020QSZZ		AL	EB		C	Transport screw		搬送スクリュー
20	PMLT-0018QSZ1		AC	DJ		C	Transport screw cushion		搬送スクリューモルト
21	PCAPH0021QSZZ		AC	DJ		C	Toner pipe cap		トナーパイプ キャップ
22	NSFTZ0019QSZ1		AE	DS		C	Transport pipe screw		搬送パイプ スクリュー
23	PSPAZ0696FCZ2		AC	DJ		C	P cap spacer		P キャップ スペース
24	PPiPP0016QSZZ		AF	DS		C	Toner pipe		トナーパイプ
25	NGERH0039QSZZ		AE	DS		C	Transport pipe gear(14T)		搬送パイプ ギヤ
26	MSPRC0045QSZ1		AC	DJ		C	Toner pipe spring		トナーパイプ スプリング
27	PSHT-0014QSZZ		AC	DJ		C	Toner pipe shutter		トナーパイプ シャッター
28	NGERH0036QSZZ		AC	DJ		C	Transport screw gear(30T)		搬送スクリューギヤ
29	NGERH0038QSZZ		AC	DJ		C	Transport pipe gear(15T)		搬送パイプ ギヤ
30	NGERH0037QSZZ		AC	DJ		C	Idle gear(26T)		アイドルギヤ
31	LFiX-0007QSZ1		AE	DJ		A	Drum fixing plate B		ドラム固定板 B
32	PCOVP0118QSZZ		AF	DS		D	Drum cover		ドラムカバー
35	PSHEP0135QSZZ		AC	DJ		A	MC guide sheet R		MC ガイドシート R
36	PSHEZ0501QSZZ		AD	DJ		C	Drum MG sheet A		ドラム MG シート A
37	PSHEZ0502QSZZ		AD	DJ		C	Drum MG sheet B		ドラム MG シート B
38	PSHEZ0513QSZ1		AK	EB		C	Paper dust stirring sheet		紙粉攪拌シート
39	PTPE-0026QSZ1		AA	DJ		C	Screw tape		スクリューテープ
40	LHLDZ0035QSZZ		AH	DX		C	MC holder		MC ホルダー
41	QTANP0004QSZZ		AD	DJ		C	Saw blade terminal		ノコ歯端子
42	QTANP0007QSZZ		AC	DJ		C	Grid terminal		グリッド端子
43	PTPE-0005QSZZ		AG	DJ		C	Saw blade tape(Refer to Matrix)		ノコ歯テープ
43	PTPE-0005QSZZ		AG	DX		C	Saw blade tape(Refer to Matrix)		ノコ歯テープ
44	LPLTM0386QSZZ		AG	DX		C	Saw blade		ノコ歯
45	XEBS726P06000		AD	DJ		C	Screw(2.6×6)		ビス
46	XEBS726P05000		AA	DD		C	Screw(2.6×5)		ビス
47	LPLTM0062QSZ1		AG	DS		A	Grid		グリッド
48	LHLDZ0036QSZ1		AD	DJ		C	Grid tension holder		グリッドテンションホルダー
49	PCASZ0016QSZZ		AK	DX		A	MC case		MC ケース
501	CFRM-0021RS74		BE	GN		E	Process frame unit(Refer to Matrix)		° 0 4 2 1 0 0 0 ユニット
501	CFRM-0021US74	1	BH	HC		E	Process frame unit(Refer to Matrix)		° 0 4 2 1 0 0 0 ユニット
502	CHLDZ0035RS59		AV	FG		E	MC holder unit(Refer to Matrix)		MC ホルダー ユニット
502	CHLDZ0035US59	1	AY	FQ		E	MC holder unit(Refer to Matrix)		MC ホルダー ユニット
503	CTME-0046RS51		AK	DX		E	Separator pawl unit(Refer to Matrix)[Missing parts code]		剥離爪ユニット
503	CTME-0046US51		AN	EG		E	Separator pawl unit(Refer to Matrix)		剥離爪ユニット

Matrix

No.43	ノコ歯テープ (Saw blade tape)																		
PARTS CODE	AR-5623N AR-X230N		AR-5620N			AR-5618N		AR-5620S AR-5618S AR-X180S			AR-5623 AR-5620 AR-5620NM AR-X200		AR-5618 AR-X180		AR-5623D AR-5620D AR-X200D AR-5618D		AR-5623DA AR-5620SL AR-5620SLX		AR-181G
	Australia, New Zealand	Other	Malaysia, Vietnam, Australia, New Zealand	Other	ALL	ALL	ALL	Hong Kong	Other	ALL	Argentina	ALL	Japan						
PTPE-0005QSZZ	1st lot	1st lot	1st lot	1st lot	1st lot	1st lot		1st lot											
PTPE-0005QSZZ		Apr/11		Apr/11	Apr/11	Apr/11		1st lot		1st lot			1st lot	1st lot	1st lot	1st lot	1st lot	1st lot	1st lot

9 フォームユニット (Process unit)

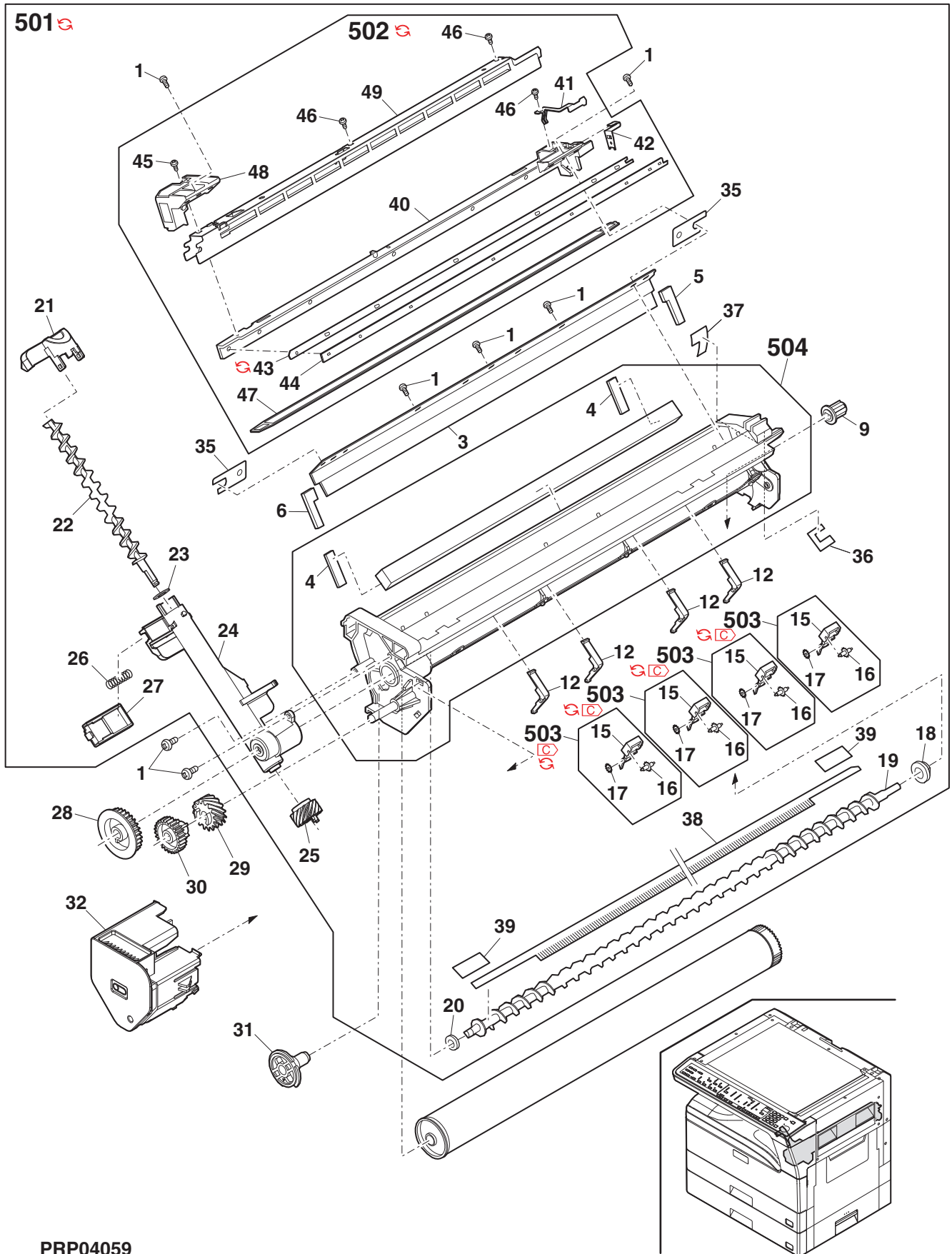
Matrix

No.501		フレームユニット (Process frame unit)									
PARTS CODE	AR-5623N AR-X230N AR-5620N AR-5618N	AR-5620S AR-5618S AR-X180S	AR-5623 AR-5620 AR-5620NM AR-X200	AR-5618 AR-X180	AR-5623D AR-5620D AR-X200D AR-5618D	AR-5623DA	AR-5620SL AR-5620SLX	AR-181G			
	ALL	ALL	ALL	Hong Kong Other	ALL	Argentina	ALL	Japan			
CFRM-0021RS74	1st lot	1st lot		1st lot							
CFRM-0021US74	Apr/11	Apr/11	1st lot		1st lot	1st lot	1st lot	1st lot			

No.502		MCホルダユニット (MC holder unit)									
PARTS CODE	AR-5623N AR-X230N AR-5620N AR-5618N	AR-5620S AR-5618S AR-X180S	AR-5623 AR-5620 AR-5620NM AR-X200	AR-5618 AR-X180	AR-5623D AR-5620D AR-X200D AR-5618D	AR-5623DA	AR-5620SL AR-5620SLX	AR-181G			
	ALL	ALL	ALL	Hong Kong Other	ALL	Argentina	ALL	Japan			
CHLDZ0035RS59	1st lot	1st lot		1st lot							
CHLDZ0035US59	Apr/11	Apr/11	1st lot		1st lot	1st lot	1st lot	1st lot			

No.503		剥離爪ユニット (Separator pawl unit)											
PARTS CODE	AR-5623N AR-X230N	AR-5620N	AR-5618N	AR-5620S AR-5618S AR-X180S	AR-5623 AR-5620 AR-5620NM AR-X200	AR-5618 AR-X180	AR-5623D AR-5620D AR-X200D AR-5618D	AR-5623DA	AR-5620SL AR-5620SLX	AR-181G			
	Australia, New Zealand	Other	Malaysia, Vietnam, Australia, New Zealand	Other	ALL	ALL	ALL	Hong Kong	Other	ALL	Argentina	ALL	Japan
CTME-0046RS51	1st lot	1st lot	1st lot	1st lot	1st lot	1st lot		1st lot					
CTME-0046US51		Apr/11		Apr/11	Apr/11	Apr/11	1st lot	1st lot	1st lot	1st lot	1st lot	1st lot	1st lot

9 フォーメット (Process unit)



PRP04059

10 現像ユニット (DV unit)

NO.	PARTS CODE	Inter-change	PRICE RANK		NEW MARK	PART RANK	DESCRIPTION	TR No.	Effective time
			Ex.	Ja.					
1	NR0LM0151QSZ2		BT	NE		B	MG roller	MG ローラー	
2	NR0LP0150QSZZ		AS	EQ		C	MX roller L	MX ローラー L	
3	NR0LP0149QSZZ		AS	EQ		C	MX roller R	MX ローラー R	
4	DHAi-0566QSPZ		AQ	EQ		C	Toner sensor harness	トナーセンサーハーネス	
5	XEBS730P08000		AC	DD		C	Screw(3×8)	ビス	
6	PMLT-0139QSZZ		AB	DJ		C	DV side cushion RN	DV サイドモルト RN	
7	LDAiU0033QSZZ		AC	DJ		C	DV block R	DV ブロック R	
8	PMLT-0141QSZZ		AC	DJ		C	DV guide cushion N	DV ガイドモルト N	
9	Ⓢ PBOX-0017QSZZ	-	AP	EQ	N	D	DV box AS	[Missing parts code] DV ボックス	1st lot
10	LPLTM0194QSZZ		AC	DJ		C	DV box fixing plate	現像槽固定板	
11	NBRGC0770FCZZ		AH	DX		C	DV bearing	DV 軸受	
12	XRESP40-06000		AA	DD		C	E type ring(E4)	E リング	
13	NBRGY0769FCZZ		AQ	EB		C	MG bearing	MG ベアリング	
14	NPLYZ0050QSZZ		AL	EB		C	MX pulley(19T)(Refer to Matrix)	MX プーリー	
14	Ⓢ NPLYZ0050RSZZ	-	AC	DD	N	C	MX pulley(19T)(Refer to Matrix)	[Missing parts code] MX プーリー	
16	NPLYZ0049QSZZ		AL	EB		C	MG pulley(24T)(Refer to Matrix)	MG プーリー	
16	Ⓢ NPLYZ0049RSZZ	-	AC	DD	N	C	MG pulley(24T)(Refer to Matrix)	[Missing parts code] MG プーリー	
17	XBPS730P06KS0		AB	DD		C	Screw(3×6KS)	ビス	
18	PSHEZ0657QSZZ		AD	DJ		A	DV side sheet R	DV サイドシート R	
19	PMLT-0002YSZ1		AC	DJ		C	DV TH cushion	DV THモルト	
20	PCOVP0121QSZ1		AE	DJ		C	Doctor cover	ドクターカバー	
21	LPLTM0001YSA1		AM	EG		D	DV doctor Siri	DV ドクター Siri	
22	XBPBZ30P03000		AB	DD		C	Screw(3×3)	ビス	
23	XBBBZ30P06000		AC	DD		C	Screw(3×6)	ビス	
24	LPLTM0002YSZ4		AR	EQ		C	Doctor reinforce plate	ドクター補強板	
25	PCOVP0120QSZ1		AE	DS		C	DV harness cover	DV ハーネスカバー	
26	RDTCM0021QSZZ		AY	FQ		B	Toner density sensor	トナー濃度センサー	
27	XUBUZ30P08000		AA	DD		C	Screw(3×8)	ビス	
28	PSHEZ0656QSZZ		AA	DJ		A	DV side sheet F	DV サイドシート F	
29	LHLDZ0129QSZZ		AC	DJ		C	MG holder	MG ホルダー	
30	MSPRD0395QSZ1		AC	DD		C	Bias spring	バイアスプリング	
31	XEBS730P10000		AC	DD		C	Screw(3×10)	ビス	
32	PCOVP0115QSZ1		AE	DS		C	DV cover F	DV カバー F	
33	LHLDZ0132QSZ1		AC	DJ		C	Scraper holder	スクレーパーホルダー	
34	XEBS730P06000		AA	DD		C	Screw(3×6)	ビス	
35	PMLT-0140QSZZ		AB	DJ		C	DV side cushion FN	DV サイドモルト FN	
36	LHLDZ0128QSZZ		AC	DJ		C	DV holder F	DV ホルダー F	
38	NGERH1653FCZZ		AC	DJ		C	DMX gear(24T)	DMX ギヤ	
39	PSEL-0162QSZZ		AE	DJ		A	DV blade seal	DV ブレードシール	
40	CHLDZ0130RS51		AQ	EQ		E	Filter holder unit(Refer to Matrix)	フィルターホルダーユニット	
40	Ⓢ CHLDZ0130US51	1	AS	EQ		E	Filter holder unit(Refer to Matrix)	フィルターホルダーユニット	
42	PGiDM0154QSZ1		AP	EQ		C	Cartridge guide lower	カートリッジガイド下	
43	PSEL-0964FCZ1		AA	DJ		C	Cover upper seal	カバー上シール	
44	PMLT-0142QSZZ		AC	DJ		C	Pipe cover cushion N	パイプカバーモルト N	
45	PMLT-0137QSZZ		AD	DJ		C	Pipe cushion N	パイプモルト N	
46	LX-BZ0027QSPZ		AD	DJ		C	DV screw	DV ビス	
47	PGiDM0153QSZZ		AM	EG		C	Toner guide upper(Refer to Matrix)	トナーガイド上	
48	XRESP30-06000		AA	DD		C	E type ring(E3)	E リング	
49	LX-BZ1066FCZZ		AC	DD		C	Screw(3×6 Blue)	ビス	
50	XBBS730P04000		AA	DD		C	Screw(3×4)	ビス	
51	PSHEP0632QSZZ		AB	DJ		C	Doctor cover seal	ドクターカバーシール	
53	NBLTH0494FCZZ		AD	DJ		B	DV belt BN	DV ベルト BN	
501	DUNT-0950RSZZ		BM	HV		E	DV box unit(Refer to Matrix)	DV ボックスユニット	
501	Ⓢ DUNT-0950USZZ	1	BQ	LP	N	E	DV box unit(Refer to Matrix)	DV ボックスユニット	
501	DUNT-0950USZZ		BQ	LP		E	DV box unit(Refer to Matrix)	DV ボックスユニット	
501	Ⓢ DUNT-0950RS12	-	BL	HL	N	E	DV box unit(Refer to Matrix)	[Missing parts code] DV ボックスユニット	
502	CGiDM0154RS51		BA	FX		E	TN guide unit(Refer to Matrix)	TN ガイドユニット	
502	Ⓢ CGiDM0154US51	1	BD	GN		E	TN guide unit(Refer to Matrix)	TN ガイドユニット	

Matrix

No.14		MX プーリー (MX pulley)													
PARTS CODE	Hong Kong	Other													
			NPLYZ0050QSZZ		1st lot										
Ⓢ NPLYZ0050RSZZ		1st lot													

10 現像ユニット (DV unit)

Matrix

No.16		MG フリ- (MG pulley)												
PARTS CODE	Hong Kong		Other											
NPLYZ0049QSZZ		1st lot												
NPLYZ0049RSZZ	1st lot													


No.40		フィルターホルダーユニット (Filter holder unit)													
PARTS CODE	Australia, New Zealand		Other	Malaysia, Vietnam, Australia, New Zealand		Other	ALL	ALL	ALL	Hong Kong	Other	ALL	Argentina	ALL	Japan
	AR-5623N AR-X230N			AR-5620N	AR-5618N										
CHLDZ0130RS51	1st lot	1st lot	1st lot	1st lot	1st lot	1st lot	1st lot		1st lot						
CHLDZ0130US51		Apr/11		Apr/11	Apr/11	Apr/11	1st lot		1st lot	1st lot	1st lot	1st lot	1st lot	1st lot	

No.47		トナーガイド上 (Toner guide upper)												
PARTS CODE	Japan	Iran	Philippines (AR-5620N)	Algeria (AR-5620NM)	Russia	South Africa	Taiwan	Other						
	PGIDM0153QSZZ								1st lot					

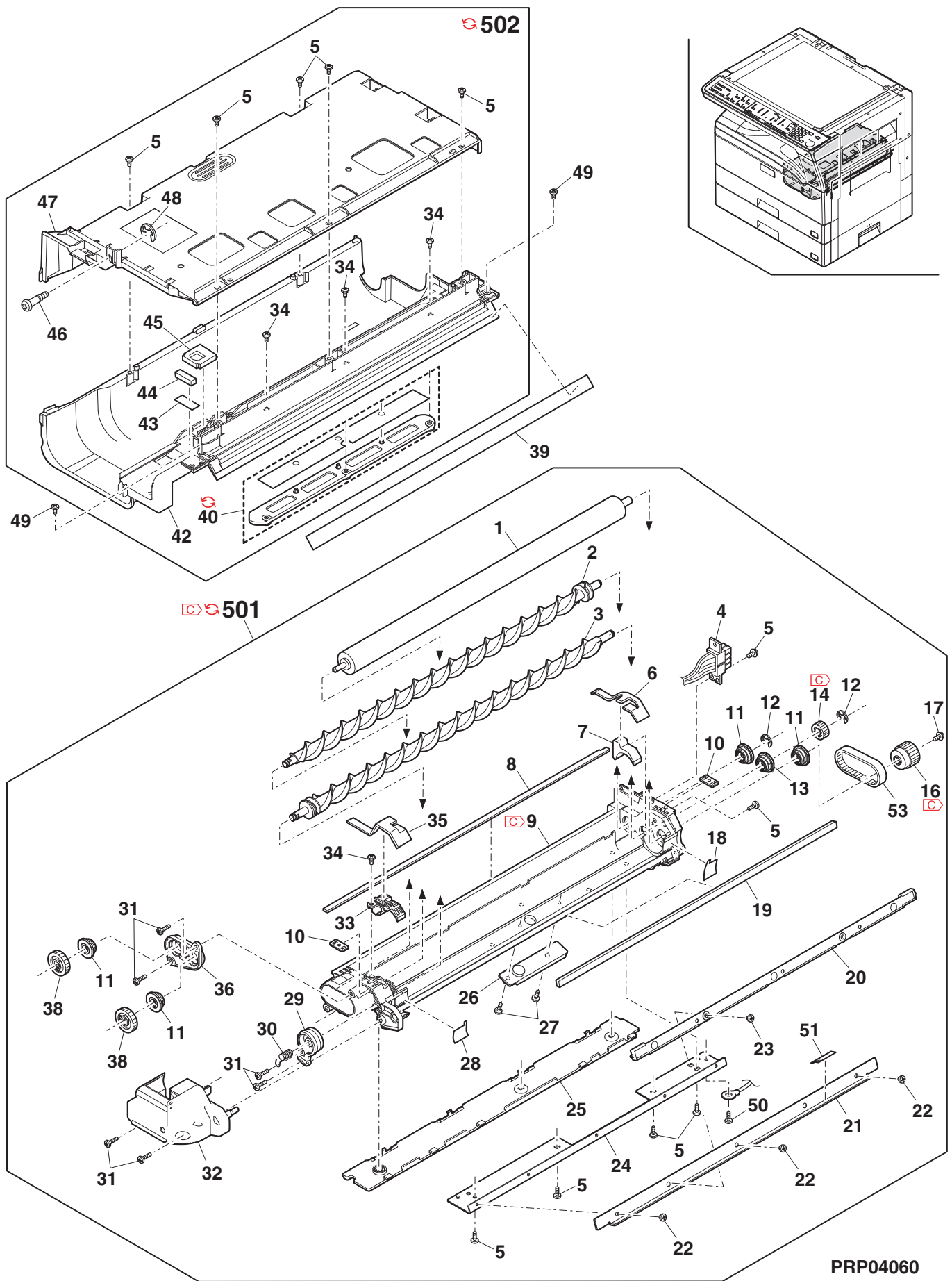
No.501		DV ボックスユニット (DV box unit)													
PARTS CODE	AR-5623N AR-X230N AR-5620N AR-5618N		AR-5620S AR-5618S AR-X180S		AR-5623 AR-5620 AR-5620NM AR-X200		AR-5618 AR-X180		AR-5623D AR-5620D AR-X200D AR-5618D		AR-5623DA	AR-5620SL AR-5620SLX	AR-181G		
	ALL	ALL	ALL	Hong Kong	Other	ALL	Argentina	ALL	Japan						
DUNT-0950RSZZ	1st lot	1st lot													
DUNT-0950USZZ	Apr/11	Apr/11	1st lot		1st lot	1st lot	1st lot	1st lot	1st lot						
DUNT-0950RS12				1st lot											

10 現像ユニット (DV unit)

Matrix

No.502	TN カットユニット (TN guide unit)																								
PARTS CODE	AR-5623N AR-X230N		AR-5620N		AR-5618N		AR-5620S AR-5618S AR-X180S		AR-5623 AR-5620 AR-5620NM AR-X200		AR-5618 AR-X180		AR-5623D AR-5620D AR-X200D AR-5618D		AR-5623DA		AR-5620SL AR-5620SLX		AR-181G						
	Australia, New Zealand		Other		Malaysia, Vietnam, Australia, New Zealand		Other		ALL		ALL		ALL		Hong Kong		Other		ALL		Argentina		ALL		Japan
CG i DM0 1 5 4 RS 5 1	1st lot	1st lot	1st lot	1st lot	1st lot	1st lot	1st lot	1st lot	1st lot	1st lot	1st lot	1st lot	1st lot	1st lot	1st lot	1st lot	1st lot	1st lot	1st lot	1st lot	1st lot	1st lot	1st lot	1st lot	1st lot
 CG i DM0 1 5 4 US 5 1		Apr/11		Apr/11	Apr/11	Apr/11			1st lot		1st lot		1st lot		1st lot		1st lot		1st lot		1st lot		1st lot		1st lot

10 現像ユニット (DV unit)



11 定着ユニット (Fusing unit)

NO.	PARTS CODE	Inter-change	PRICE RANK		NEW MARK	PART RANK	DESCRIPTION	TR No.	Effective time
			Ex.	Ja.					
1	PCOVP0119QSZZ		AD	DJ		C	Thermostat cover	サーモスタットカバー	
2	XEBS730P08000		AC	DD		C	Screw(3×8)	ビス	
3	RTHM-0007QSZZ		AL	EB		B	Thermostat	サーモスタット	
4	LX-BZ1181FCZZ		AB	DD		C	Screw	ビス	
5	PCOVP0164QSZZ		BA	FX		D	Fusing cover(Refer to Matrix)	定着カバー	
	PCOVP0164RSZZ	-	AT	EZ	N	D	Fusing cover(Refer to Matrix) [Missing parts code]	定着カバー	
6	RLMPU0038QSPZ		AY	FQ		B	Heater lamp(Refer to Matrix)	ヒーターランプ	
	RLMPU0037QSPZ		AY	FQ		B	Heater lamp(Refer to Matrix)	ヒーターランプ	
	RLMPU0035QSPZ		AY	FQ		B	Heater lamp(Refer to Matrix)	ヒーターランプ	
	RLMPU0036QSPZ		AX	FG		B	Heater lamp(Refer to Matrix)	ヒーターランプ	
7	LSTPP0116FCZZ		AA	DD		C	Roller stopper A2	ローラストップパ - A2	
8	NBRGP0567FCZZ		AG	DX		A	Fusing bearing	定着軸受	
10	CFRM-0017QS04		AH	DX		D	Fusing frame F	定着フレーム F	
11	NROLi0187QSZZ		BA	FX		C	Upper heat roller(Refer to Matrix)	上ヒートローラー	
12	CFRM-0018QS04		AH	DX		D	Fusing frame R	定着フレーム R	
13	NGERH0221QSZZ		AF	DS		C	Fusing gear J3	定着ギヤ J3	
14	LHLDZ0127QSZZ		AE	DJ		C	Lamp holder	ランプホルダー	
15	XBPS730P10KS0		AB	DD		C	Screw(3×10KS)	ビス	
16	XHBS730P06000		AC	DD		C	Screw(3×6)	ビス	
17	LPLTM0050QSZ3		AP	EQ		C	Fusing joint plate	定着連結板	
18	MSPRT0086QSZZ		AB	DJ		C	Upper pawl pressure spring(Refer to Matrix)	上爪加圧スプリング	
	MSPRT0304QSZZ		AD	DJ		C	Upper pawl pressure spring(Refer to Matrix)	上爪加圧スプリング	
19	RDTCT0026QSZZ		AV	FG		A	Thermistor	サーミスター	
20	PGiDM0201QSZZ		AN	EG		C	Fusing rear paper guide(Refer to Matrix)	定着後カバーガイド	
	PGiDM0201RSZZ	-	AK	EB	N	C	Fusing rear paper guide(Refer to Matrix) [Missing parts code]	定着後カバーガイド	
21	XEBS730P06000		AA	DD		C	Screw(3×6)	ビス	
	XEBS730P06000	-	AA	DD		C	Screw(3×6)	ビス	11/12
22	XBBS730P06000		AC	DD		C	Screw(3×6)	ビス	
23	LPLTP0051QSZZ		AD	DJ		C	PG fixing plate	PG 固定板	
24	XBBS740P08000		AA	DD		C	Screw(4×8)	ビス	
25	PGiDH0155QSZ1		AP	EQ		C	Fusing front paper guide	定着前カバーガイド	
26	LX-BZ0026GCZ1		AC	DD		C	Screw	ビス	
27	NROLR0186QSZZ		BE	GN		C	Pressure roller	加圧ローラー	
28	NBRGP0035QSZZ		AD	DJ		C	Pressure bearing	圧着軸受	
29	XRESP30-06000		AA	DD		C	E type ring(E3)	E リング	
30	LX-BZ0013QSP1		AD	DD		C	Screw(3×7)	ビス	
32	MSPRC0470QSZZ		AD	DJ		C	Fusing pressure spring	定着加圧スプリング	
33	MLEVP0121QSZZ		AC	DJ		C	Fusing pressure lever F	定着加圧レバー F	
34	MLEVP0019QSZ3		AE	DJ		C	Release lever F	圧解レバー F	
35	MLEVP0020QSZ3		AE	DJ		C	Release lever R	圧解レバー R	
36	MLEVP0122QSZZ		AC	DJ		C	Fusing pressure lever R	定着加圧レバー R	
37	PTME-0039QSZZ		AE	DS		A	Upper separator pawl	上剥離爪	
38	PGiDM0103QSZ1		AD	DJ		C	Fusing front guide R [200V series,100V,110V]	定着前ガイド R	
39	TLABH0062QSZZ		AE	DJ		D	High temperature caution label(Refer to Matrix)	高温注意ラベル	
	TLABH0061QSZZ		AE	DJ		D	High temperature caution label(Refer to Matrix)	高温注意ラベル	
	TLABH0155QSZ1		AE	DJ		D	High temperature caution label(Refer to Matrix)	高温注意ラベル	
40	LFRM-0084QSZ2		AN	EG		D	Fusing lower frame	定着下フレーム	
41	LPLTP0589QSZZ		AP	EQ		C	Reverse gate(Refer to Matrix)	反転ゲート	
	LPLTP0589RSZZ	-	AN	EG	N	C	Reverse gate(Refer to Matrix) [Missing parts code]	反転ゲート	
42	MLEVP0026QSZ3		AE	DS		C	DMC actuator(Refer to Matrix)	DMC アクチュエーター	
	MLEVP0026QSZ4		AE	DS		C	DMC actuator(Refer to Matrix)	DMC アクチュエーター	
43	MSPRD0399QSZZ		AC	DJ		C	Rotation spring	回転スプリング	
44	MSPRD0118QSZ1		AB	DJ		C	Actuator return spring	アクチュエーター復帰スプリング	
45	XHBS730P08000		AB	DD		C	Screw(3×8)	ビス	
46	PSHEZ0105QSZZ		AC	DJ		C	Fusing suede	定着スエード	
47	LX-BZ0098QSZZ		AC	DD		C	Fusing fixing screw(3×12)	定着取付用ビス	
50	XBPS730P06KS0		AB	DD		C	Screw(3×6KS)	ビス	
51	PTME-0044QSZZ		AQ	EQ		C	Lower separator pawl	下剥離爪	
52	MSPRD0398QSZZ		AC	DJ		C	Separator pawl spring R	剥離爪スプリング R	
53	MSPRD0397QSZZ		AC	DJ		C	Separator pawl spring F	剥離爪スプリング F	
54	PGiDM0102QSZZ		AD	DJ		C	Fusing front guide F [200V series,100V,110V]	定着前ガイド F	
57	TLABH0364QSZZ		AA	DJ		D	Green label	グリーンラベル	
58	NBRGY0022QSZZ		AL	EB		A	FU pressure bearing	FU 加圧軸受	
59	CPLTM0255QS03		AS	EQ		B	Felt fixing plate(Refer to Matrix)	フェルト取付板	
60	TLABH0685QSZZ		AD	DJ		D	High temperature caution label(Refer to Matrix)	高温注意ラベル	
	TLABH0683QSZZ		AE	DJ		D	High temperature caution label(Refer to Matrix)	高温注意ラベル	
	TLABH0686QSZZ		AD	DJ		D	High temperature caution label(Refer to Matrix)	高温注意ラベル	
61	LHLDZ0163QSZZ		AD	DJ		C	Fusing F holder	定着 F ホルダー	
62	DUNTK0803RSZZ		AH	DX		C	Resistor(500MΩ)(Refer to Matrix)	抵抗	
	DUNTK0803USZZ		AL	EB		C	Resistor(500MΩ)(Refer to Matrix)	抵抗	
63	LX-WZ0001QSZZ		AC	DD		C	Separator pawl washer [Except Japan,Hong Kong]	剥離爪ワッシャー	
64	MSPRD0425QSZZ		AC	DJ		C	High resistor earth spring(Refer to Matrix)	ハイレジスタースプリング	

11 定着ユニット (Fusing unit)

NO.	PARTS CODE	Inter-change	PRICE RANK		NEW MARK	PART RANK	DESCRIPTION	TR No.	Effective time
			Ex.	Ja.					
65	QEARP0009QSZZ		AD	DJ		B	High resistor electrode plate		
66	PCLR-0018QSZZ		AG	DX		C	Delivery guide collar		
67	PSPAZ0060QSZZ	-	AD	DJ		C	Insulate spacer		1st lot
68	PTME-0007GCZ2		AG	DS		A	Separator pawl	[Japan]	
501	CPLTP0589RS51		AR	EQ		E	Reverse gate unit(Refer to Matrix)		
	CPLTP0589US51	1	AV	FG	N	E	Reverse gate unit(Refer to Matrix)		
	CPLTP0589RS52	-	AR	EQ	N	E	Reverse gate unit(Refer to Matrix) [Missing parts code]		
	(Unit)								
901	DUNTW0961RS12		BT	MW		E	Fusing unit(Refer to Matrix)		
	DUNTW0961US12	1	BT	NE	N	E	Fusing unit(Refer to Matrix)		
	DUNTW0961US11	-	BU	NN	N	E	Fusing unit(Refer to Matrix) [Missing parts code]		
	DUNTW0961USZZ		BT	NE		E	Fusing unit(Refer to Matrix)		
	DUNTW0961RS15	-	BS	MJ	N	E	Fusing unit(Refer to Matrix) [Missing parts code]		
	DUNTW0961US13					E	Fusing unit(Refer to Matrix)		

Matrix

No.5	定着カバー (Fusing cover)											
PARTS CODE	Hong Kong	Other										
PCOVP0164QSZZ		1st lot										
PCOVP0164RSZZ	1st lot											

No.6	ヒーターランプ (Heater lamp)											
PARTS CODE	200V series	120V	100V	110V								
RLMPU0038QSPZ	1st lot											
RLMPU0037QSPZ		1st lot										
RLMPU0035QSPZ			1st lot									
RLMPU0036QSPZ				1st lot								

No.11	上ヒートローラー (Upper heat roller)											
PARTS CODE	AB series	Inch series										
NRÖLi0187QSZZ	1st lot											

No.18	上爪加圧スプリング (Upper pawl pressure spring)											
PARTS CODE	Japan	Other										
MSPRT0086QSZZ		1st lot										
MSPRT0304QSZZ	1st lot											

No.20	定着後紙ガイド (Fusing rear paper guide)											
PARTS CODE	Hong Kong	Other										
PGiDM0201QSZZ		1st lot										
PGiDM0201RSZZ	1st lot											

11 定着ユニット (Fusing unit)

Matrix

No.39		高温注意ラベル (High temperature caution label)											
PARTS CODE	Japan	Taiwan	Other										
TLABH0062QSZZ			1st lot										
TLABH0061QSZZ	1st lot												
TLABH0155QSZ1		1st lot											

No.41		反転ゲート (Reverse gate)											
PARTS CODE	Hong Kong	Other											
LPLTP0589QSZZ		1st lot											
Ⓢ LPLTP0589RSZZ	1st lot												

No.42		DMC アクチュエーター (DMC actuator)																
PARTS CODE	AR-5623N AR-X230N		AR-5620N		AR-5618N		AR-5620S AR-5618S AR-X180S		AR-5623 AR-5620 AR-5620NM AR-X200		AR-5618 AR-X180		AR-5623D AR-5620D AR-X200D AR-5618D		AR-5623DA AR-5620SL AR-5620SLX		AR-181G	
	Australia, New Zealand	Other	Malaysia, Vietnam, Australia, New Zealand	Other	ALL	ALL	ALL	Hong Kong	Other	ALL	Argentina	ALL	Japan					
MLEVP0026QSZ3	1st lot	1st lot	1st lot	1st lot	1st lot	1st lot		1st lot										
Ⓢ MLEVP0026QSZ4		Apr/11		Apr/11	Apr/11	Apr/11		1st lot		1st lot		1st lot	1st lot	1st lot	1st lot	1st lot		

No.59		フェルト取付板 (Felt fixing plate)											
PARTS CODE	Hong Kong	Other											
CPLTM0255QS03		1st lot											

No.60		高温注意ラベル (High temperature caution label)											
PARTS CODE	Japan	Taiwan	Other										
TLABH0685QSZZ			1st lot										
TLABH0683QSZZ	1st lot												
TLABH0686QSZZ		1st lot											

11 定着ユニット (Fusing unit)

Matrix

No.62		抵抗 (Resistor)												
PARTS CODE	AR-5623N AR-X230N			AR-5620N		AR-5618N	AR-5620S AR-5618S AR-X180S	AR-5623 AR-5620 AR-5620NM AR-X200		AR-5618 AR-X180	AR-5623D AR-5620D AR-X200D AR-5618D	AR-5623DA	AR-5620SL AR-5620SLX	AR-181G
	Australia, New Zealand	Other	Malaysia, Vietnam, Australia, New Zealand	Other	ALL	ALL	ALL		Hong Kong	Other	ALL	Argentina	ALL	Japan
DUNTK0803RSZZ	1st lot	1st lot	1st lot	1st lot	1st lot	1st lot	1st lot	1st lot	1st lot	1st lot	1st lot	1st lot	1st lot	1st lot
DUNTK0803USZZ		Apr/11		Apr/11	Apr/11	Apr/11		1st lot		1st lot	1st lot	1st lot	1st lot	1st lot

No.64-1/2		ハイレジター・スプリング (High resistor earth spring)													
PARTS CODE	AR-5623N AR-X230N			AR-5620N		AR-5618N		AR-5620S AR-5618S AR-X180S							
	Germany, Switzerland, France, Spain, Italy	India, Singapore, Malaysia, Vietnam	Australia, New Zealand	Other	Germany, Switzerland, France, Spain, Italy	India, Malaysia, Vietnam	Australia, New Zealand	Other	Germany, Switzerland, France, Spain, Italy	India, Singapore, Malaysia, Vietnam	Other	Germany, Switzerland, France	India	Lebanon, Nigeria, Algeria, Egypt, Jordan, Tunisia, Morocco	Other
MSPRD0425QSZZ	1st lot	1st lot	1st lot		1st lot	1st lot	1st lot		1st lot	1st lot		1st lot	1st lot	1st lot	

No.64-2/2		ハイレジター・スプリング (High resistor earth spring)												
PARTS CODE	AR-5623 AR-5620 AR-5620NM AR-X200			AR-5618 AR-X180	AR-5623D AR-5620D AR-X200D AR-5618D	AR-5623DA	AR-5620SL AR-5620SLX	AR-181G						
	ALL	Hong Kong	Other	ALL	Argentina	ALL	Japan							
MSPRD0425QSZZ		1st lot												

No.501		反転ゲートユニット (Reverse gate unit)												
PARTS CODE	Hong Kong	Other												
		1st lot	Apr/11											
CPLTP0589RS51		1st lot												
CPLTP0589US51		Apr/11												
CPLTP0589RS52	1st lot													

11 定着ユニット (Fusing unit)

Matrix

No.901	定着ユニット (Fusing unit)											
PARTS CODE	AR-5623N AR-X230N AR-5620N AR-5618N	AR-5620S AR-5618S AR-X180S	AR-5623 AR-5620 AR-5620NM AR-X200	AR-5618 AR-X180			AR-5623D	AR-5620D AR-X200D AR-5618D	AR-5623DA	AR-5620SL AR-5620SLX	AR-181G	
	200V series	200V series	200V series 110V	200V series (Hong Kong)	200V series (Other)	110V	200V series 120V	200V series	200V series	200V series	100V	
DUNTW0961RS12	1st lot	1st lot										
DUNTW0961US12	Apr/11	Apr/11	1st lot		1st lot		1st lot		1st lot	1st lot	1st lot	
DUNTW0961US11							1st lot					
DUNTW0961USZZ												1st lot
DUNTW0961RS15				1st lot								
DUNTW0961US13			1st lot			1st lot						

12 メイン駆動ユニット (Main driving unit)

NO.	PARTS CODE	Inter-change	PRICE RANK		NEW MARK	PART RANK	DESCRIPTION	TR No.	Effective time
			Ex.	Ja.					
1	PGiDM0190QSZZ		AH	DX		C	Harness guide	ハネスカイト	
2	XHBS730P04000		AA	DD		C	Screw(3×4)	ビス	
4	DHAi-0557QSPZ		AF	DS		C	HND SOL harness	HND SOL ハーネス	
5	DHAi-0514QSP1		AX	FG		C	Main motor harness(Refer to Matrix)	メインモーターハーネス	
	DHAi-0514QSPZ		AG	DX		C	Main motor harness(Refer to Matrix)	メインモーターハーネス	
	DHAi-0631QSPZ		BH	HC		C	Main motor harness(Refer to Matrix)	メインモーターハーネス	
6	XBBS740P08000		AA	DD		C	Screw(4×8)	ビス	
7	RMOTP0061QSPZ		BS	MW		B	Main motor(Refer to Matrix)	メインモーター	
	RMOTP0073QSPZ	-	BW	RR		B	Main motor(Refer to Matrix)	[Missing parts code] メインモーター	
8	PCLC-0033QSZ1		AR	EQ		B	PS clutch	PS クラッチ	
9	LPLTM0252QSZZ		AD	DJ		C	PS earth plate	PS アース板	
10	NGERH0054QSZZ		AD	DJ		C	Gear(33/20T)	ギヤ	
11	LX-WZ0314FCZ1		AA	DD		C	Poly slider	ポリスライダ	
12	XRESP40-06000		AA	DD		C	E type ring(E4)	E リング	
13	NGERH0056QSZZ		AE	DJ		C	Ratchet gear(33T)	ラチェットギヤ	
14	NGERH0055QSZZ		AE	DJ		C	Ratchet gear(44T)	ラチェットギヤ	
15	MSPRC0477QSZZ	-	AC	DD		C	HT ratchet spring	[Missing parts code] HT ラチェットスプリング	1st lot
16	NGERH0016QSZ1		AD	DJ		C	Coupling gear(34T)	カップリングギヤ	
17	NGERH0013QSZZ		AG	DX		C	Gear(31/17T)	ギヤ	
18	CPLTM0537US05		BN	LE		C	DUP main drive plate(Refer to Matrix)	DUP メイン駆動板	
	CPLTM0537US06		BN	HZ		C	DUP main drive plate(Refer to Matrix)	DUP メイン駆動板	
19	NGERH0010QSZZ		AD	DJ		C	Gear(28T)	ギヤ	
20	NGERH0009QSZZ		AD	DJ		C	Gear(46/16T)	ギヤ	
21	NGERH0014QSZZ		AD	DJ		C	Gear(30/15T)	ギヤ	
22	NGERH0011QSZ1		AC	DJ		C	MG gear	MG ギヤ	
23	MSPRC2132FCZ2		AA	DJ		C	MG roller spring	MG ロールスプリング	
24	NCPL-0004FCZ2		AB	DD		C	Coupling B	カップリング B	
25	NGERH0052QSZZ		AE	DJ		C	Gear(38/18T)	ギヤ	
26	NGERH0007QSZZ		AH	DX		C	Gear(68/26T)	ギヤ	
27	NGERH0057QSZZ		AE	DJ		C	Gear(41T)	ギヤ	
28	CGERH0274RS53	-	AQ	EQ		E	Gear unit(55T)(Refer to Matrix)	[Missing parts code] ギヤユニット	
	CGERH0274US53		AT	EZ		E	Gear unit(55T)(Refer to Matrix)	ギヤユニット	
29	NGERH0275QSZZ		AC	DD		C	Gear(23/27T)	ギヤ	
30	NGERH0012QSZZ		AE	DS		C	Gear(20T)	ギヤ	
31	NGERH0058QSZZ		AF	DS		C	Gear(21/17T)	ギヤ	
32	XHBS730P08000		AB	DD		C	Screw(3×8)	ビス	
36	NGERH0053QSZZ		AD	DJ		C	Gear(25T/28T) [AR-5620S/5618S/X180S/5623/5620/5620NM/X200/5618/X180/5620SL/5620SLX/181G]	ギヤ	
37	LX-WZ0002QSZ1		AB	DD		C	PO belt washer [AR-5620S/5618S/X180S/5623/5620/5620NM/X200/5618/X180/5620SL/5620SLX/181G]	PO ベルトワッシャー	
38	XRESP40-06000		AA	DD		C	E type ring(E4) [AR-5620S/5618S/X180S/5623/5620/5620NM/X200/5618/X180/5620SL/5620SLX/181G]	E リング	
501	CGERH0011RS51		AE	DS		E	MG gear unit(Refer to Matrix)	MG ギヤユニット	
	CGERH0011US51		AE	DJ		E	MG gear unit(Refer to Matrix)	MG ギヤユニット	
502	CPLTM0537RS74		BB	GD		E	Drive sub unit(SIMP)(Refer to Matrix)	駆動サブユニット	
	CPLTM0537US74	1	BG	GX		E	Drive sub unit(SIMP)(Refer to Matrix)	駆動サブユニット	
	CPLTM0537RS75		BL	HL		F	Drive sub unit(DUP)(Refer to Matrix)	駆動サブユニット	
	CPLTM0537US75	1	BG	GT		E	Drive sub unit(DUP)(Refer to Matrix)	駆動サブユニット	

Matrix

No.5	メインモーターハーネス (Main motor harness)												
PARTS CODE	AR-5623N AR-X230N	AR-5620N			AR-5618N	AR-5620S AR-5618S AR-X180S	AR-5623	AR-5620 AR-5620NM AR-X200	AR-5618 AR-X180	AR-5623D AR-5623DA	AR-5620D AR-X200D AR-5618D	AR-5620SL AR-5620SLX	AR-181G
	ALL	Malaysia, Vietnam, Australia, New Zealand	Other		ALL	ALL	ALL	ALL	Hong Kong	Other	ALL	ALL	ALL
DHAi-0514QSP1		1st lot	1st lot	1st lot				1st lot					
DHAi-0514QSPZ			Apr/11	Apr/11	1st lot		1st lot		1st lot		1st lot	1st lot	1st lot
DHAi-0631QSPZ	1st lot					1st lot					1st lot		

12 メイン駆動ユニット (Main driving unit)

Matrix

No.7	メインモーター (Main motor)											
PARTS CODE	AR-5623N AR-X230N	AR-5620N AR-5618N	AR-5620S AR-5618S AR-X180S	AR-5623	AR-5620 AR-5620NM	AR-X200 AR-5618 AR-X180	AR-5623D	AR-5620D AR-X200D AR-5618D	AR-5623DA	AR-5620SL AR-5620SLX	AR-181G	
	ALL	ALL	ALL	ALL	ALL		ALL	ALL	Argentina	ALL	Japan	
RMOTP0061QSPZ		1st lot	1st lot		1st lot			1st lot		1st lot	1st lot	
RMOTP0073QSPZ	1st lot			1st lot			1st lot		1st lot			

No.18	DUP メイン駆動板 (DUP main drive plate)											
PARTS CODE	AR-5623N AR-X230N	AR-5620N AR-5618N	AR-5620S AR-5618S AR-X180S	AR-5623 AR-5620 AR-5620NM AR-X200	AR-5618 AR-X180	AR-5623D AR-5620D AR-X200D AR-5618D	AR-5623DA	AR-5620SL AR-5620SLX	AR-181G			
	ALL		ALL	ALL	Hong Kong Other	ALL	Argentina	ALL	Japan			
CPLTM0537US05			1st lot	1st lot	1st lot			1st lot	1st lot			
CPLTM0537US06	1st lot					1st lot	1st lot					

No.28	ギヤユニット (Gear unit)												
PARTS CODE	AR-5623N AR-X230N		AR-5620N	AR-5618N	AR-5620S AR-5618S AR-X180S	AR-5623 AR-5620 AR-5620NM AR-X200	AR-5618 AR-X180	AR-5623D AR-5620D AR-X200D AR-5618D	AR-5623DA	AR-5620SL AR-5620SLX	AR-181G		
	Australia, New Zealand	Other	Malaysia, Vietnam, Australia, New Zealand	Other	ALL	ALL	ALL	Hong Kong	Other	ALL	Argentina	ALL	Japan
CGERH0274RS53	1st lot	1st lot	1st lot	1st lot	1st lot	1st lot		1st lot					
CGERH0274US53		Apr/11		Apr/11	Apr/11	Apr/11	1st lot		1st lot	1st lot	1st lot	1st lot	1st lot

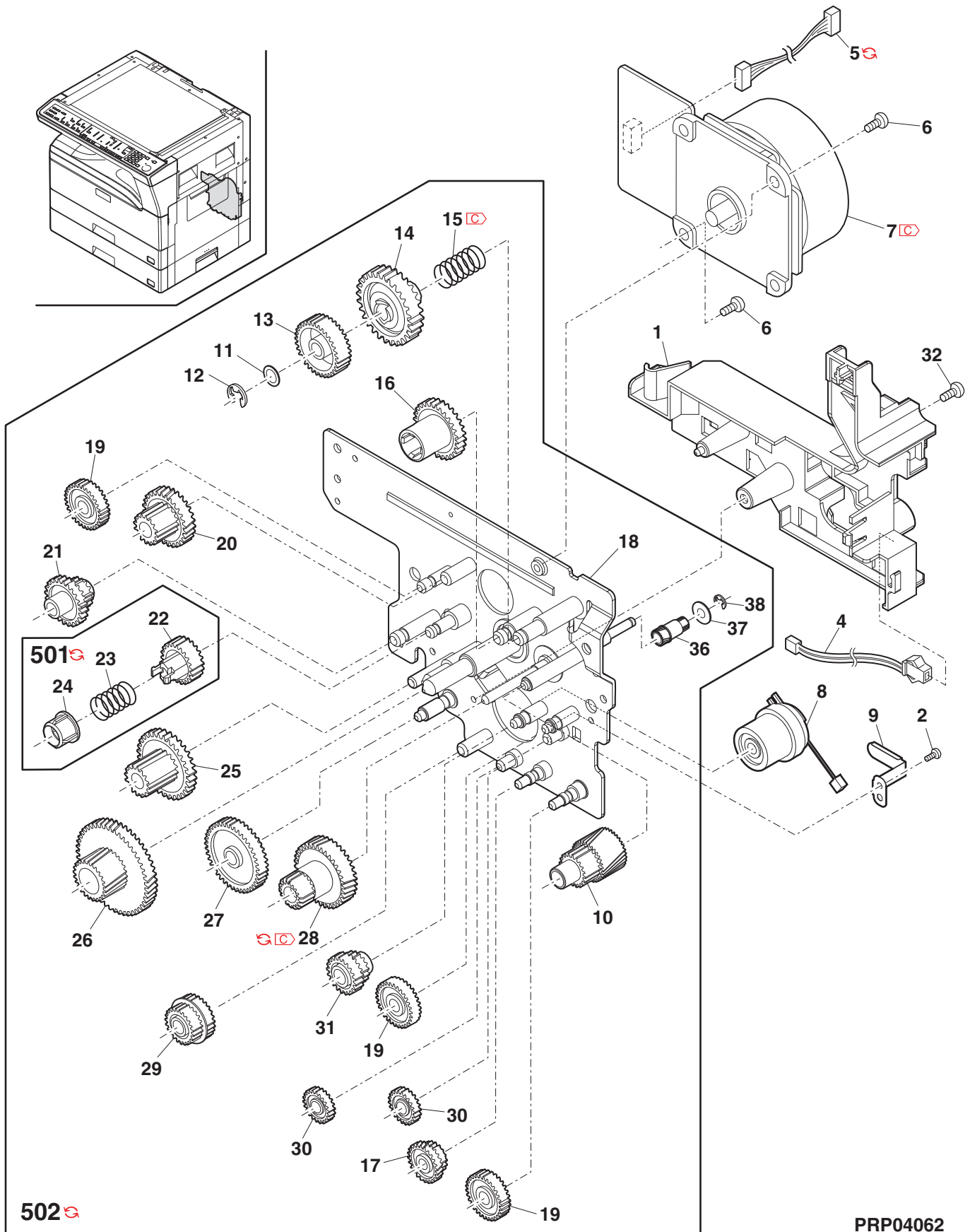
12 メイン駆動ユニット (Main driving unit)

Matrix

No.501	MGギヤユニット (MG gear unit)												
PARTS CODE	AR-5623N AR-X230N		AR-5620N	AR-5618N	AR-5620S AR-5618S AR-X180S	AR-5623 AR-5620 AR-5620NM AR-X200	AR-5618 AR-X180	AR-5623D AR-5620D AR-X200D AR-5618D	AR-5623DA	AR-5620SL AR-5620SLX	AR-181G		
	Australia, New Zealand	Other	Malaysia, Vietnam, Australia, New Zealand	Other	ALL	ALL	Hong Kong	Other	ALL	Argentina	ALL	Japan	
CGERH0011RS51	1st lot	1st lot	1st lot	1st lot	1st lot		1st lot						
CGERH0011US51		Apr/11		Apr/11	Apr/11		1st lot		1st lot	1st lot	1st lot	1st lot	1st lot

No.502	駆動サブユニット (SIMP)(Drive sub unit) 駆動サブユニット (DUP)(Drive sub unit)												
PARTS CODE	AR-5623N AR-X230N AR-5620N AR-5618N	AR-5620S AR-5618S AR-X180S	AR-5623 AR-5620 AR-5620NM AR-X200	AR-5618 AR-X180	AR-5623D AR-5620D AR-X200D AR-5618D	AR-5623DA	AR-5620SL AR-5620SLX	AR-181G					
	ALL	ALL	ALL	Hong Kong	Other	ALL	Argentina	ALL	Japan				
CPLTM0537RS74		1st lot											
CPLTM0537US74		Apr/11	1st lot		1st lot		1st lot	1st lot					
CPLTM0537RS75	1st lot												
CPLTM0537US75	Apr/11					1st lot	1st lot						

12 メイン駆動ユニット (Main driving unit)



PRP04062

13 台板ユニット1(Base plate unit 1)

NO.	PARTS CODE	Inter-change	PRICE RANK		NEW MARK	PART RANK	DESCRIPTION	TR No.	Effective time
			Ex.	Ja.					
1	QSW-B0017QSZZ		AF	DS		B	Tray detect switch		
2	DHAi-0315QSZZ		AD	DJ		C	Tray detect switch harness		
3	LPLTM0504QSZZ		AC	DJ		C	Joint plate S [AR-5623N/X230N/5620N/5623/5620/5620NM/X200/5623D/5623DA/5620D/X200D]		
4	XEBS740P12000		AA	DD		C	Screw(4x12)		
5	CPLTM0536US02	-	AM	EG	N	C	Sub drive plate AS(Refer to Matrix)[Missing parts code]		
	CPLTM0536QS02		AM	EG		C	Sub drive plate AS(Refer to Matrix)		
6	LPLTM0065QSZZ		AL	EB		C	Base plate reinforce plate F		
7	XEPS740P12000		AB	DD		C	Screw(4x12)		
8	PSHEZ0671QSZZ		AC	DD		C	Drive plate sheet		
9	LSTPP0358FCZZ		AF	DS		C	Wire fixing stopper		
10	PCLC-0034QSZ1		AR	EQ		B	PF clutch 1		
11	XEBS730P08000		AC	DD		C	Screw(3x8)		
13	DHAi-0295QSZZ		AC	DJ		C	Earth harness		
14	NSFTZ0119QSZZ		AE	DS		C	Sub drive paper feed shaft		
15	XPSSJ30-18000		AB	DD		C	Spring pin		
16	NBRGM0501FCZZ		AB	DJ		C	Bearing		
17	NGERH0254QSZZ		AD	DJ		C	Gear(34-24T)		
18	XRESP50-06000		AA	DD		C	E type ring(E5)		
19	XBBS730P06000		AC	DD		C	Screw(3x6)		
20	XRESP40-05000		AA	DD		C	E type ring(E4)		
21	MSPRD0148QSZZ		AB	DJ		C	Manual paper feed sensor spring		
22	NSFTZ0101QSZZ		AC	DJ		C	Roller shaft		
23	PSHEZ0133QSZZ		AD	DJ		C	Paper feed sheet		
24	CPWBF0147QSE4		AL	EB		E	Manual paper feed sensor PWB(Refer to Matrix)		
	CPWBF0191US53		AL	EB		E	Manual paper feed sensor PWB(Refer to Matrix)		
25	MLEVP0023QSZZ		AE	DS		C	MF sensor actuator		
26	PCOVP0033QSZ2		AF	DJ		D	Manual paper feed sensor cover		
27	LRALP0015USZ1		AK	DX		C	Base plat rail R(Refer to Matrix)		
	LRALP0015QSZ1		AP	EQ		C	Base plat rail R(Refer to Matrix)		
28	PSHEZ0378QSZ1		AG	DX		C	Separation sheet(Refer to Matrix)		
	PSHEZ0378QSZZ		AG	DX		C	Separation sheet(Refer to Matrix)		
29	LPLTP0348QSZZ		AC	DJ		C	Pressure plate		
30	MSPRC0301QSZZ		AD	DJ		C	Pressure plate spring		
31	PFTA-0018QSZ2		AF	DS		D	Pressure plate cover		
32	MLEVP0024QSZZ		AF	DS		C	Sensor lever ACT(Refer to Matrix)		
	MLEVP0148QSZZ	-	AC	DD	N	C	Sensor lever ACT(Refer to Matrix) [Missing parts code]		
33	LDAiS0029QSZZ		AD	DJ		D	Sensor base		
34	NKOM-0011QSZZ		AC	DJ		C	Manual paper feed collar		
35	MSPRD0233QSZ1		AC	DJ		C	MF actuator spring		
36	MSPRD0340QSZZ		AC	DJ		C	Collar spring		
37	LHLDZ0100QSZ1		AE	DS		C	PS holder		
38	MSPRD0300QSZZ		AD	DJ		C	PS front actuator spring		
39	MLEVP0091QSZ1		AC	DD		C	PS front actuator		
40	LBRC-0012QSZZ		AD	DJ		C	Collar bracket		
41	GLEGG0064FCZZ		AC	DJ		C	Rubber foot [AR-5618N/5618S/X180S/5620S/5618/X180/5618D/5620SL/5620SLX/181G]		
42	MLEVP0044QSZZ		AE	DS		C	MF sensor actuator 2		
43	XEBS740P10000		AA	DD		C	Screw(4x10)		
44	NGERH0250QSZZ		AC	DD		C	Gear(28T) [AR-5623N/X230N/5620N/5618N/5623/5620/5620NM/X200/5618/X180/5623D/5620D/X200D/5618D/5623DA/181G]		
45	NGERH0251QSZZ		AD	DJ		C	Gear(31-24T) [AR-5623N/X230N/5620N/5618N/5623/5620/5620NM/X200/5618/X180/5623D/5620D/X200D/5618D/5623DA/181G]		
46	CPLTM0535QS01		AN	EG		C	Joint drive plate(Refer to Matrix)		
	CPLTM0535US01		AZ	FQ		C	Joint drive plate(Refer to Matrix)		
47	NGERH0252QSZZ		AC	DD		C	Gear(20T)		
48	NGERH0253QSZZ		AD	DJ		C	Gear(20-27T) [AR-5623N/X230N/5620N/5618N/5623/5620/5620NM/X200/5618/X180/5623D/5620D/X200D/5618D/5623DA/181G]		
49	DHAi-0316QSZZ		AE	DJ		C	CAS EMP harness		
50	DHAi-0318QSZZ		AE	DJ		C	Pin harness		
51	VHPGP1S73P+-18		AF	DS		B	Photo transistor		
52	PCOVP0091QSZZ		AC	DJ		D	PS sensor cover		
55	LPLTM0555USZZ		AG	DS		C	Joint gear reinforce plate(Refer to Matrix)		
	LPLTM0555QSZZ		AC	DD		C	Joint gear reinforce plate(Refer to Matrix)		
56	LPLTM0554QSZZ		AC	DD		C	Main drive reinforce plate		
57	XEBS740P14000		AB	DD		C	Screw(4x14) [AR-5623N/X230N/5620N/5623/5620/5620NM/X200/5623D/5623DA/5620D/X200D]		
58	LPLTM0587QSZZ	-	AC	DD	N	C	Sub joint plate [AR-5623N/X230N/5620N/5618N/5623/5620/5620NM/X200/5618/X180/5623D/5620D/X200D/5618D/5623DA/181G]		1st lot
59	PCOVP0097QSZ1		AH	DX		D	Dehumidification cover [AR-181G]		
60	RHET-0010QSPZ		AQ	EQ		B	Dehumidification heater [AR-181G]		

13 台板ユニット1(Base plate unit 1)

Matrix

No.5		サブ駆動板 AS(Sub drive plate AS)											
PARTS CODE	Hong Kong		Other										
Ⓢ CPLTM0536US02			1st lot										
CPLTM0536QS02	1st lot												

No.24		手差しセンサー基板 (Manual paper feed sensor PWB)																	
PARTS CODE	AR-5623N AR-X230N		AR-5620N		AR-5618N		AR-5620S AR-5618S AR-X180S		AR-5623 AR-5620 AR-5620NM AR-X200		AR-5618 AR-X180		AR-5623D AR-5620D AR-X200D AR-5618D		AR-5623DA AR-5620SL AR-5620SLX		AR-181G		
	Australia, New Zealand	Other	Malaysia, Vietnam, Australia, New Zealand	Other	ALL	ALL	ALL	Hong Kong	Other	ALL	Argentina	ALL	Japan						
CPWBF0147QSE4	1st lot	1st lot	1st lot	1st lot	1st lot	1st lot		1st lot											
Ⓢ CPWBF0191US53		Apr/11		Apr/11	Apr/11	Apr/11		1st lot		1st lot		1st lot	1st lot	1st lot	1st lot	1st lot			

No.27		台板レール R(Base plat rail R)											
PARTS CODE	Hong Kong		Other										
LRALP0015USZ1			1st lot										
LRALP0015QSZ1	1st lot												

No.28		別きシート (Separation sheet)																	
PARTS CODE	AR-5623N AR-X230N		AR-5620N		AR-5618N		AR-5620S AR-5618S AR-X180S		AR-5623 AR-5620 AR-5620NM AR-X200		AR-5618 AR-X180		AR-5623D AR-5620D AR-X200D AR-5618D		AR-5623DA AR-5620SL AR-5620SLX		AR-181G		
	Australia, New Zealand	Other	Malaysia, Vietnam, Australia, New Zealand	Other	ALL	ALL	ALL	Hong Kong	Other	ALL	Argentina	ALL	Japan						
PSHEZ0378QSZ1	1st lot	1st lot	1st lot	1st lot	1st lot	1st lot		1st lot											
Ⓢ PSHEZ0378QSZZ		Apr/11		Apr/11	Apr/11	Apr/11		1st lot		1st lot		1st lot	1st lot	1st lot	1st lot	1st lot			

13 台板ユニット1(Base plate unit 1)

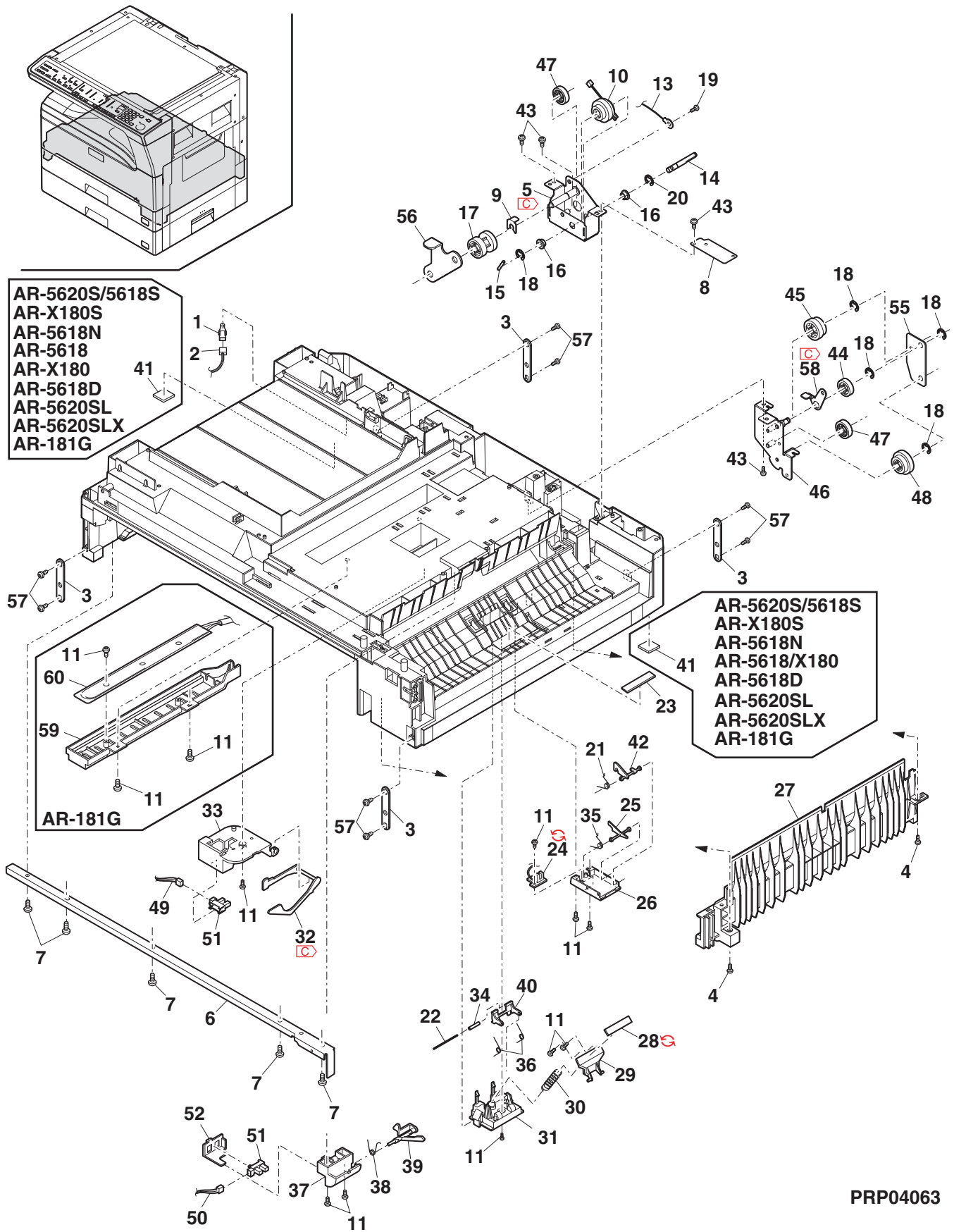
Matrix

No.32		センサーレバ [△] - ACT(Sensor lever ACT)											
PARTS CODE	Hong Kong	Other											
	MLEVP0024QSZZ		1st lot										
☞ MLEVP0148QSZZ	1st lot												

No.46		連結駆動板金 (Joint drive plate)											
PARTS CODE	Hong Kong	Other											
	CPLTM0535QS01	1st lot											
CPLTM0535US01		1st lot											

No.55		連結ギヤ補強板 (Joint gear reinforce plate)											
PARTS CODE	Hong Kong	Other											
	LPLTM0555USZZ		1st lot										
LPLTM0555QSZZ	1st lot												

13 台板ユニット 1(Base plate unit 1)



PRP04063

14 台板ユニット2(Base plate unit 2)

NO.	PARTS CODE	Inter-change	PRICE RANK		NEW MARK	PART RANK	DESCRIPTION	TR No.	Effective time
			Ex.	Ja.					
1	XEBS740P12000		AA	DD		C	Screw(4×12)	ビス	
2	LPLTM0583QSZZ		AQ	EQ		C	Optical reinforce plate(Refer to Matrix)	光学補強板	
	Ⓢ LPLTM0583RSZZ	-	AL	EB	N	C	Optical reinforce plate(Refer to Matrix) [Missing parts code]	光学補強板	
3	XHBS730P06000		AC	DD		C	Screw(3×6)	ビス	
4	LPLTM0590QSZZ		AQ	EQ		C	Delivery left cover(Refer to Matrix)	排紙左カバー	
5	LFRM-0114QSZZ		AS	EQ		D	Corner frame RL(Refer to Matrix)	コーナーフレーム RL	
	Ⓢ LFRM-0114RSZZ	-	AR	EQ	N	D	Corner frame RL(Refer to Matrix) [Missing parts code]	コーナーフレーム RL	
6	LX-BZ0088QSPZ		AA	DD		C	Screw(3×6)	ビス	
10	XRESP40-06000		AA	DD		C	E type ring(E4)	Eリング	
11	NGERH0065QSZZ		AC	DJ		C	Gear(21-28T) [AR-5623N/X230N/5620N/5618N/5623D/ 5623DA/5620D/X200D/5618D]	ギヤ	
12	NBRGC0529FCZZ		AD	DJ		C	Bearing [AR-5623N/X230N/5620N/5618N/5623D/ 5623DA/5620D/X200D/5618D]	軸受	
13	LX-BZ0700FCPZ		AB	DD		C	Screw(4×12) [AR-5623N/X230N/5620N/5618N/5623D/ 5623DA/5620D/X200D/5618D]	ビス	
14	CPLTM0073QS01		AM	EG		C	DUP motor fixing plate [AR-5623N/X230N/5620N/ 5618N/5623D/5623DA/5620D/X200D/5618D]	DUPモーター取付板	
15	XHBS730P08000		AB	DD		C	Screw(3×8)	ビス	
16	RMOTS0074QSPZ		BD	GJ		B	DUP motor(Refer to Matrix)	DUPモーター	
	Ⓢ RMOTS0076QSPZ	-	BN	LE	N	B	DUP motor(Refer to Matrix) [Missing parts code]	DUPモーター	
17	NGERH0064QSZZ		AD	DJ		C	Gear pulley(40T-24T) [AR-5623N/X230N/5620N/ 5618N/5623D/5623DA/5620D/X200D/5618D]	ギヤプーリー	
18	NBLTT0009QSZZ		AG	DX		B	DUP drive belt(134) [AR-5623N/X230N/5620N/ 5618N/5623D/5623DA/5620D/X200D/5618D]	DUP 駆動ベルト	
19	NGERH0075QSZZ		AC	DJ		C	Gear(20T) [AR-5623N/X230N/5620N/5618N/5623D/ 5623DA/5620D/X200D/5618D]	ギヤ	
20	CPLTM0103QS03		AL	EB		C	DUP drive idle plate [AR-5623N/X230N/5620N/ 5618N/5623D/5623DA/5620D/X200D/5618D]	DUP 駆動アイドル板	
21	NPLYZ0011QSZZ		AC	DJ		C	Pulley [AR-5623N/X230N/5620N/5618N/5623D/ 5623DA/5620D/X200D/5618D]	プーリー	
23	NBLTT0008QSZZ		AG	DX		B	DUP roller drive belt [AR-5623N/X230N/5620N/ 5618N/5623D/5623DA/5620D/X200D/5618D]	ベルト	
24	PSHEZ0065QSZZ		AB	DJ		C	Pulley flange sheet [AR-5623N/X230N/5620N/ 5618N/5623D/5623DA/5620D/X200D/5618D]	プーリーフランジシート	
26	NGERH0066QSZZ		AD	DJ		C	Gear(17T) [AR-5623N/X230N/5620N/5618N/5623D/ 5623DA/5620D/X200D/5618D]	ギヤ	
27	MSPRC1315FCZ1		AD	DJ		C	Manual paper feed clutch spring A [AR-5623N/X230N/ 5620N/5618N/5623D/5623DA/5620D/X200D/5618D]	手差しクラッチ スプリング A	
28	NPLYZ0008QSZZ		AC	DJ		C	Pulley(SM20T) [AR-5623N/X230N/5620N/ 5618N/5623D/5623DA/5620D/X200D/5618D]	プーリー	
29	LX-BZ0039QSPZ		AB	DD		C	Screw(4×10)	ビス	
30	LPLTM0581QSZZ		AE	DS		C	Optical adjustment plate(Refer to Matrix)	光学調整板	
	Ⓢ LPLTM0581RSZZ	-	AD	DD	N	C	Optical adjustment plate(Refer to Matrix) [Missing parts code]	光学調整板	
31	LFRM-0026QSZZ		AQ	EQ		D	Corner frame RR	コーナーフレーム RR	
32	LFRM-0115QSZZ		AN	EQ		D	Corner frame FL(Refer to Matrix)	コーナーフレーム FL	
	Ⓢ LFRM-0115RSZZ	-	AL	EB	N	D	Corner frame FL(Refer to Matrix) [Missing parts code]	コーナーフレーム FL	
33	XEBS730P10000		AC	DD		C	Screw(3×10)	ビス	
34	LPLTM0584QSZZ		AL	EB		C	Corner frame R reinforce plate(Refer to Matrix)	コーナーフレーム R 補強板	
	Ⓢ LPLTM0584RSZZ	-	AK	EB	N	C	Corner frame R reinforce plate(Refer to Matrix) [Missing parts code]	コーナーフレーム R 補強板	
35	LPLTM0429QSZZ		AE	DS		C	Interlock switch fixing plate	インターロックスイッチ 取付板	
36	LPLTM0436QSZZ		AD	DJ		C	Connector fixing plate	コネクタ取付板	
37	LPLTM0578QSZZ		BV	RB		C	Corner frame reinforce plate(Refer to Matrix)	コーナーフレーム補強板	
	Ⓢ LPLTM0578RSZZ	-	AM	EG	N	C	Corner frame reinforce plate(Refer to Matrix) [Missing parts code]	コーナーフレーム補強板	
38	XHBS730P14000		AA	DD		C	Screw(3×14)	ビス	
39	LFRM-0025QSZZ		AH	EB		D	Corner frame FR	コーナーフレーム FR	
41	XBBS730P08000		AA	DD		C	Screw(3×8)	ビス	
42	DHAi-0295QSZZ		AC	DJ		C	Earth harness	アースハーネス	
43	XEBS740P10000		AA	DD		C	Screw(4×10)	ビス	
44	LPLTM0534USZZ		AK	DX		C	Body earth plate(Refer to Matrix)	本体アース板	
	LPLTM0534QSZZ		AE	DJ		C	Body earth plate(Refer to Matrix)	本体アース板	
45	XBPS720P09000		AB	DD		C	Screw(2×9)	ビス	
46	XWHS720-04043		AA	DD		C	Washer	ワッシャー	
48	DHAi-0564QSPZ		AQ	EQ		C	HL harness	HL ハーネス	
49	NBLTT0007QSZZ		AH	DX		B	Delivery roller drive belt [AR-5620S/5618S/X180S/ 5623/5620/5620NM/X200/5618/X180/5620SL/ 5620SLX/181G]	排紙ローラー駆動 ベルト	
50	DHAi-0542QSPZ		AC	DJ		C	RSPF GND harness [AR-5620S/5618S/X180S/ 5623/5620/5620NM/X200/5618/X180/5620SL/ 5620SLX/181G]	RSPF GND ハーネス	
501	CPLTM0103RS53		AR	EQ		E	DUP drive idle unit(Refer to Matrix)	DUP 駆動 アイドルユニット	
	Ⓢ CPLTM0103US53		AT	EZ		E	DUP drive idle unit(Refer to Matrix)	DUP 駆動 アイドルユニット	

14 台板ユニット2(Base plate unit 2)

Matrix

No.2		光学補強板 (Optical reinforce plate)											
PARTS CODE	Hong Kong	Other											
	LPLTM0583QSZZ		1st lot										
Ⓢ LPLTM0583RSZZ	1st lot												

No.4		排紙左カバー (Delivery left cover)											
PARTS CODE	Hong Kong	Other											
	LPLTM0590QSZZ		1st lot										

No.5		コーナーフレーム RL (Corner frame RL)											
PARTS CODE	Hong Kong	Other											
	LFRM-0114QSZZ		1st lot										
Ⓢ LFRM-0114RSZZ	1st lot												


No.16		DUP モーター (DUP motor)											
PARTS CODE	AR-5623N AR-X230N		AR-5620N			AR-5618N			AR-5623D AR-5620D AR-X200D AR-5618D		AR-5623DA		
	Germany, Switzerland, France, Spain, Italy, Australia, New Zealand	India, Singapore, Malaysia, Vietnam	Other	Germany, Switzerland, France, Spain, Italy, Australia, New Zealand	India, Malaysia, Vietnam	Other	India, Singapore, Malaysia, Vietnam, Germany, Switzerland, France, Spain, Italy	Other	ALL		Argentina		
RMOTS0074QSPZ	1st lot	1st lot		1st lot	1st lot		1st lot		1st lot	1st lot	1st lot		
Ⓢ RMOTS0076QSPZ			1st lot			1st lot		1st lot		1st lot	1st lot		


No.30		光学調整板 (Optical adjustment plate)											
PARTS CODE	Hong Kong	Other											
	LPLTM0581QSZZ		1st lot										
Ⓢ LPLTM0581RSZZ	1st lot												

No.32		コーナーフレーム FL (Corner frame FL)											
PARTS CODE	Hong Kong	Other											
	LFRM-0115QSZZ		1st lot										
Ⓢ LFRM-0115RSZZ	1st lot												


14 台板ユニット2(Base plate unit 2)

Matrix

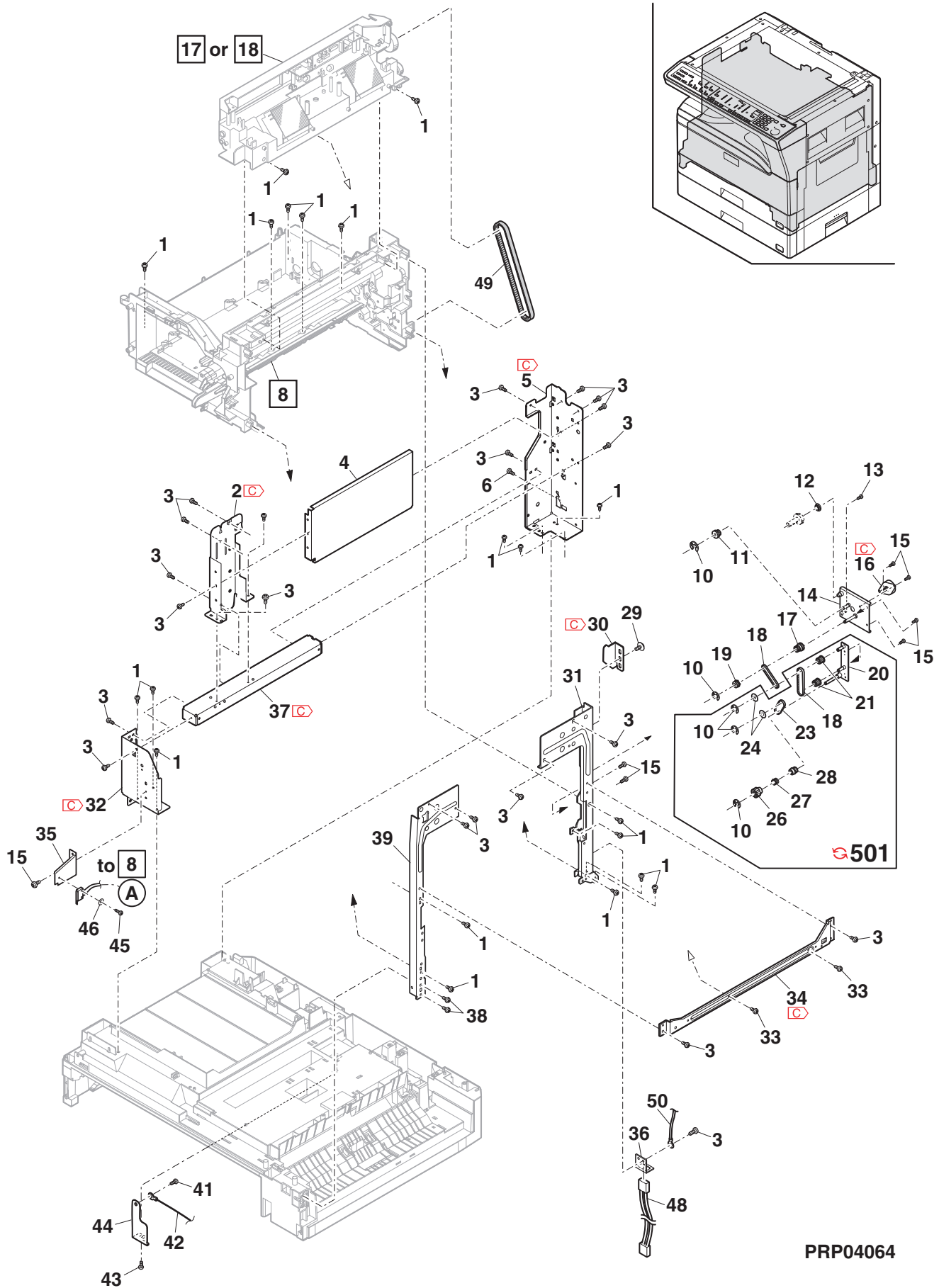
No.34		コーナーフレームR補強板 (Corner frame R reinforce plate)												
PARTS CODE	Hong Kong	Other												
	LPLTM0584QSZZ		1st lot											
 LPLTM0584RSZZ	1st lot													

No.37		コーナーフレーム補強板 (Corner frame reinforce plate)												
PARTS CODE	Hong Kong	Other												
	LPLTM0578QSZZ		1st lot											
 LPLTM0578RSZZ	1st lot													

No.44		本体アース板 (Body earth plate)												
PARTS CODE	Hong Kong	Other												
	LPLTM0534USZZ		1st lot											
LPLTM0534QSZZ	1st lot													

No.501		DUP 駆動アイドルユニット (DUP drive idle unit)												
PARTS CODE	AR-5623N AR-X230N	AR-5620N	AR-5618N	AR-5623D AR-5620D AR-X200D AR-5618D	AR-5623DA									
	Australia, New Zealand	Other	Malaysia, Vietnam Australia, New Zealand	Other	ALL	ALL	Argentina							
CPLTM0103RS53	1st lot	1st lot	1st lot	1st lot	1st lot									
 CPLTM0103US53		Apr/11		Apr/11	Apr/11	1st lot	1st lot							

14 台板ユニット 2(Base plate unit 2)



15 台板ユニット3(Base plate unit 3)

NO.	PARTS CODE	Inter-change	PRICE RANK		NEW MARK	PART RANK	DESCRIPTION	TR No.	Effective time
			Ex.	Ja.					
1	LSOU-0052QSZZ		AY	FQ		C	Delivery tray(Refer to Matrix)		
	LSOU-0052QSZ1		AY	FQ		C	Delivery tray(Refer to Matrix)		
2	GCAB-0069QST2		AW	FG		D	Delivery rear cabinet		
3	XEBS740P10000		AA	DD		C	Screw(4×10)		
4	XHBS730P06000		AC	DD		C	Screw(3×6)		
5	LX-BZ0088QSPZ		AA	DD		C	Screw(3×6)		
6	LPLTM0425QSZZ		AR	EQ		C	MCU fixing plate(Refer to Matrix)		
	LPLTM0573QSZZ		AR	EQ		C	MCU fixing plate(Refer to Matrix)		
	CPWBX0252QS31		BZ	TR		E	MCU PWB(Refer to Matrix)		
	CPWBX0252QS32		BZ	TR		E	MCU PWB(Refer to Matrix)		
	CPWBX0252QS40		BZ	TR		E	MCU PWB(Refer to Matrix)		
	CPWBX0252QS41		BZ	TR		E	MCU PWB(Refer to Matrix)		
	CPWBX0252QS42		BZ	TR		E	MCU PWB(Refer to Matrix)		
	CPWBX0252QS33		BZ	TR		E	MCU PWB(Refer to Matrix)		
	CPWBX0252QS34		BZ	TR		E	MCU PWB(Refer to Matrix)		
7	CPWBX0252QS35		BZ	TR		E	MCU PWB(Refer to Matrix)		
	CPWBX0252QS36		BZ	TR		E	MCU PWB(Refer to Matrix)		
	CPWBX0252QS38		BZ	TR		E	MCU PWB(Refer to Matrix)		
	CPWBX0252QS39		BZ	TR		E	MCU PWB(Refer to Matrix)		
	CPWBX0270QS32		CH	UP		E	MCU PWB(Refer to Matrix)		
	CPWBX0252QS43		BZ	TR		E	MCU PWB(Refer to Matrix)		
	CPWBX0252QS26					E	MCU PWB(Refer to Matrix)		
	CPWBX0252QS27					E	MCU PWB(Refer to Matrix)		
8	LBNDJ0071FCZZ		AC	DJ		C	Band(RSG-100)		
9	RCORF0018QSZZ		AR	EQ		C	Core		
10	DHAi-0342QSZZ		AG	DX		C	CCD harness		
11	LHLDW0086QSZZ		AB	DJ		C	Harness ring		
12	LX-BZ0090QSPZ		AE	DD		C	Screw		
13	PSHEZ0694QSZZ		AC	DJ		C	MCU edge protect sheet N		
15	XHBS730P08000		AB	DD		C	Screw(3×8)		
17	XEBS730P10000		AC	DD		C	Screw(3×10)		
20	XEPS740P30000		AC	DD		C	Screw(4×30)	[120V,100V,110V]	
21	XEBS740P12000		AA	DD		C	Screw(4×12)	[120V,100V,110V]	
22	XWSS740-10000		AA	DD		C	Spring washer	[120V,100V,110V]	
23	XWHS740-08100		AA	DD		C	Washer	[120V,100V,110V]	
24	LFiX-0016FCZZ		AD	DJ		C	AC cord fixer C	[120V,100V,110V]	
25	LBNDJ0013FCZ1		AE	DJ		C	Band		
26	TCAUS0009QSZZ		AF	DS		C	Plug caution card	[Argentina]	
	DHAi-1212DS13		BD	GJ		B	AC code(Refer to Matrix)		
	QACCBR626QCPZ		AU	FG		B	AC code(Refer to Matrix)		
	QACCER622QCPZ		AQ	EQ		B	AC code(Refer to Matrix)		
	QACCFR620QCPZ		AX	FX		B	AC code(Refer to Matrix)		
	QACCLR622QCPZ		AR	EQ		B	AC code(Refer to Matrix)		
	QACCZR941QCPZ		BB	FX		B	AC code(Refer to Matrix)		
	QACCZR625QCPZ		AX	FG		B	AC code(Refer to Matrix)		
	QACCR7623QCPZ		BA	FX		B	AC code(Refer to Matrix)		
	QACCDR614QCPZ		AS	EQ		B	AC code(Refer to Matrix)		
	QACCJ6413QCPA		AY	FQ		B	AC code(Refer to Matrix)		
	QACCBR625QCPZ		AZ	FX		B	AC code(Refer to Matrix)		
	QACCZR412QCPZ					B	AC code(Refer to Matrix)		
28	NFANP0018QSPZ		AP	EQ		B	PS fan(Refer to Matrix)		
	NFANP0027QSPZ	1	AP	EQ		B	PS fan(Refer to Matrix)		DCE-837
30	DUNTK0688RSZZ		AT	EZ		E	AC switch unit(Refer to Matrix)		
	DUNTK0688USZZ	-	BB	GD	N	E	AC switch unit(Refer to Matrix)	[Missing parts code]	
31	XBPS730P32KS0		AC	DD		C	Screw(3×32KS)		
33	LPLTM0428QSZZ	-	AR	EQ		C	PS PWB fixing plate	[Missing parts code]	
	RDENC0038QSP2		BP	LP		B	Low voltage power supply unit(Refer to Matrix)		1st lot
34	RDENC0036QSP1	-	BY	TF	N	B	Low voltage power supply unit(Refer to Matrix)	[Missing parts code]	
	RDENC0035QSP1	-	BZ	TF	N	B	Low voltage power supply unit(Refer to Matrix)	[Missing parts code]	
35	XBPS730P08KS0		AB	DD		C	Screw(3×8KS)		
36	RDENU0041QSPZ		BX	RR		B	High voltage power supply unit		
37	XEBS730P08000		AC	DD		C	Screw(3×8)		
38	DHAi-0553QSP2		CK	UP		C	PS harness		
46	XBPSN40P06K00		AA	DD		C	Screw(4×6K)		
50	LPLTM0574QSZZ		AG	DX		C	Fan fixing plate(Refer to Matrix)		
	LPLTM0574RSZZ	-	AF	DS	N	C	Fan fixing plate(Refer to Matrix)	[Missing parts code]	
51	PFiLZ0029QSZZ		BD	GN		A	Power supply dustproof filter		
52	TLABZ4868FCZ1		AB	DJ		D	Earth label	[200V series]	
53	DUNT-0731RS12		AP	EQ		C	Inlet harness unit(Refer to Matrix)		
	DUNT-0731US12	1	AY	FQ		C	Inlet harness unit(Refer to Matrix)		
54	LPLTM0585QSZZ		AF	DS		C	Inlet fixing plate	[200V series]	
55	XHSS730P06000		AB	DD		C	Screw	[200V series]	
56	DUNT-0742US11		BT	MW		E	NIC unit	[AR-5623N/X230N/5620N/5618N]	
57	RCORF0021QSZZ		AK	DX		C	Core		
60	LPLTM0426QSZZ		AF	DS		C	USB fixing plate	[AR-5620S/5618S/X180S/5623/5620/X200/5618/X180/5623D/5623DA/5620D/X200D/5618D/5620SL/5620SLX,AR-181G]	

15 台板ユニット3(Base plate unit 3)

NO.	PARTS CODE	Inter-change	PRICE RANK		NEW MARK	PART RANK	DESCRIPTION	TR No.	Effective time
			Ex.	Ja.					
61	DHAi-0560QSPZ		AH	DX		C	USB MCU harness [AR-5620S/5618S/X180S/5623/5620/X200/5618/X180/5623D/5623DA/5620D/X200D/5618D/5620SL/5620SLX,AR-181G] USB MCU ハーネス		
62	CPWBN0219QSS31		BH	HC		E	USB I/F PWB(Refer to Matrix) USB I/F 基板		
	CPWBN0219QSC1	1	AZ	FQ		E	USB I/F PWB(Refer to Matrix) USB I/F 基板		
63	PSHEZ0631QSZZ	-	AA	DJ		C	Optical mylar CHN [AR-5620S/5618S/X180S/5623/5620/5620NM/X200/5618/X180/5623D/5623DA/5620D/X200D/5618D/5620SL/5620SLX,AR-181G] 光学マイラー-CHN		11/06
64	DUNTK0348US11		AS	EQ		E	DHSW unit [Japan] DHSW ユニット		

Matrix

No.1	排紙トレイ (Delivery tray)																								
PARTS CODE	AR-5623N	AR-X230N	AR-5620N	AR-5618N	AR-5623D	AR-5620D	AR-X200D	AR-5618D	AR-5623DA	AR-5620S	AR-5618S	AR-X180S	AR-5623	AR-5620	AR-5620NM	AR-X200	AR-5618	AR-X180	AR-5620SL	AR-5620SLX	AR-181G				
	ALL				ALL				Argentina	ALL			ALL		ALL				ALL	Japan					
LSOU-0052QSZZ	1st lot				1st lot				1st lot										1st lot	1st lot					
LSOU-0052QSZ1										1st lot					1st lot				1st lot	1st lot					

No.6	MCU 取付板 (MCU fixing plate)																								
PARTS CODE	AR-5623N	AR-X230N	AR-5620N	AR-5618N	AR-5620S	AR-5618S	AR-X180S	AR-5620SL	AR-5620SLX	AR-5623	AR-5620	AR-5620NM	AR-X200	AR-5618	AR-X180	AR-5623D	AR-5620D	AR-X200D	AR-5618D	AR-5623DA	AR-181G				
	ALL				ALL			ALL	ALL			ALL				ALL				Argentina	Japan				
LPLTM0425QSZ2	1st lot				1st lot			1st lot												1st lot	1st lot				
LPLTM0573QSZZ											1st lot					1st lot				1st lot	1st lot				

No.7-1/2	MCU 基板 (MCU PWB)													
PARTS CODE	AR-5623N	AR-5620N	AR-5618N	AR-5620S	AR-5618S	AR-5623	AR-5620	AR-5620NM	AR-5618	AR-5623D	AR-5623DA	AR-5620D	AR-5618D	AR-5620SL
	ALL	ALL	ALL	ALL	ALL	ALL	Taiwan	Other	ALL	Taiwan	Other	ALL	ALL	ALL
CPWBX0252QS31					1st lot									
CPWBX0252QS32														
CPWBX0252QS40	1st lot				1st lot									
CPWBX0252QS41			1st lot											
CPWBX0252QS42		1st lot												
CPWBX0252QS33										1st lot				
CPWBX0252QS34								1st lot	1st lot					
CPWBX0252QS35														1st lot
CPWBX0252QS36													1st lot	
CPWBX0252QS38						1st lot								
CPWBX0252QS39											1st lot			
CPWBX0270QS32														1st lot
CPWBX0252QS43														
CPWBX0252QS26									1st lot					
CPWBX0252QS27							1st lot							

15 台板ユニット3(Base plate unit 3)

Matrix

No.7-2/2	MCU 基板 (MCU PWB)												
PARTS CODE	AR-5620SLX	AR-181G	AR-X180S	AR-X180	AR-X200	AR-X200D	AR-X230N						
	ALL	ALL	ALL	ALL	ALL	ALL	ALL						
CPWBX0252QS43		1st lot											

No.27-1/2	AC コード (AC code)													
PARTS CODE	Japan	India			Yemen,Saudi Arabia, Bahrain,kuwait,UAE, Oman,Qatar	Europe	Lebanon,Nigeria, Algeria,Egypt,Jordan, Tunisia,Morocco	Singapore, Malaysia,Vietnam	Australia, New Zealand	Thailand	Philippines	Argentina	Mexico,LAG2	Iran,Russia
	ALL	AR-5623N AR-5620N AR-5618N	AR-5620S AR-5618S	Other	ALL	ALL	ALL	ALL	ALL	ALL	ALL	ALL	ALL	ALL
DHA i - 1 2 1 2 DS 1 3		1st lot	1st lot											
QACCBR626QCPZ					1st lot									
QACCER622QCPZ						1st lot	1st lot							1st lot
QACCFR620QCPZ								1st lot						
QACCLR622QCPZ									1st lot					
QACCZR941QCPZ										1st lot				
QACCZR625QCPZ											1st lot			
QACCR7623QCPZ												1st lot		
QACCDR614QCPZ													1st lot	
QACCJ6413QCPA	1st lot													

No.27-2/2	AC コード (AC code)												
PARTS CODE	South Africa	Hong Kong	Taiwan										
	ALL	ALL	ALL										
QACCBR625QCPZ		1st lot											
QACCZR412QCPZ			1st lot										

No.28	PS ファン (PS fan)												
PARTS CODE	AR-5623N AR-X230N AR-5620N AR-5618N	AR-5620S AR-5618S AR-X180S	AR-5623 AR-5620 AR-5620NM AR-X200 AR-5618 AR-X180	AR-5623D AR-5620D AR-X200D AR-5618D	Argentina AR-5623DA	AR-5620SL AR-5620SLX	AR-181G						
	ALL	ALL	ALL	ALL	Argentina	ALL	Japan						
NFANP0018QSPZ	1st lot	1st lot											
NFANP0027QSPZ	Oct/11	Oct/11	1st lot	1st lot	1st lot	1st lot	1st lot						

15 台板ユニット3(Base plate unit 3)

Matrix

No.30		ACスイッチユニット (AC switch unit)												
PARTS CODE		AR-5623N AR-X230N		AR-5620N	AR-5618N	AR-5620S AR-5618S AR-X180S	AR-5623 AR-5620 AR-5620NM AR-X200	AR-5618 AR-X180	AR-5623D AR-5620D AR-5618D AR-X200D	AR-5623DA	AR-5620SL AR-5620SLX	AR-181G		
		Australia, New Zealand	Other	Australia, New Zealand, Malaysia, Vietnam	Other	ALL	ALL	ALL	Hong Kong	Other	ALL	Argentina	ALL	Japan
	DUNTK0688RSZZ	1st lot	1st lot	1st lot	1st lot	1st lot		1st lot						
	DUNTK0688USZZ		Apr/11		Apr/11	Apr/11	1st lot		1st lot	1st lot	1st lot	1st lot	1st lot	1st lot


No.34		低圧電源ユニット (Low voltage power supply unit)												
PARTS CODE		200V series	120V 110V	100V										
	RDENC0038QSP2	1st lot												
	RDENC0036QSP1		1st lot											
	RDENC0035QSP1			1st lot										

No.50		ファン取付板 (Fan fixing plate)												
PARTS CODE		Hong Kong	Taiwan	Other										
	LPLTM0574QSZZ			1st lot										
	LPLTM0574RSZZ	1st lot	1st lot											

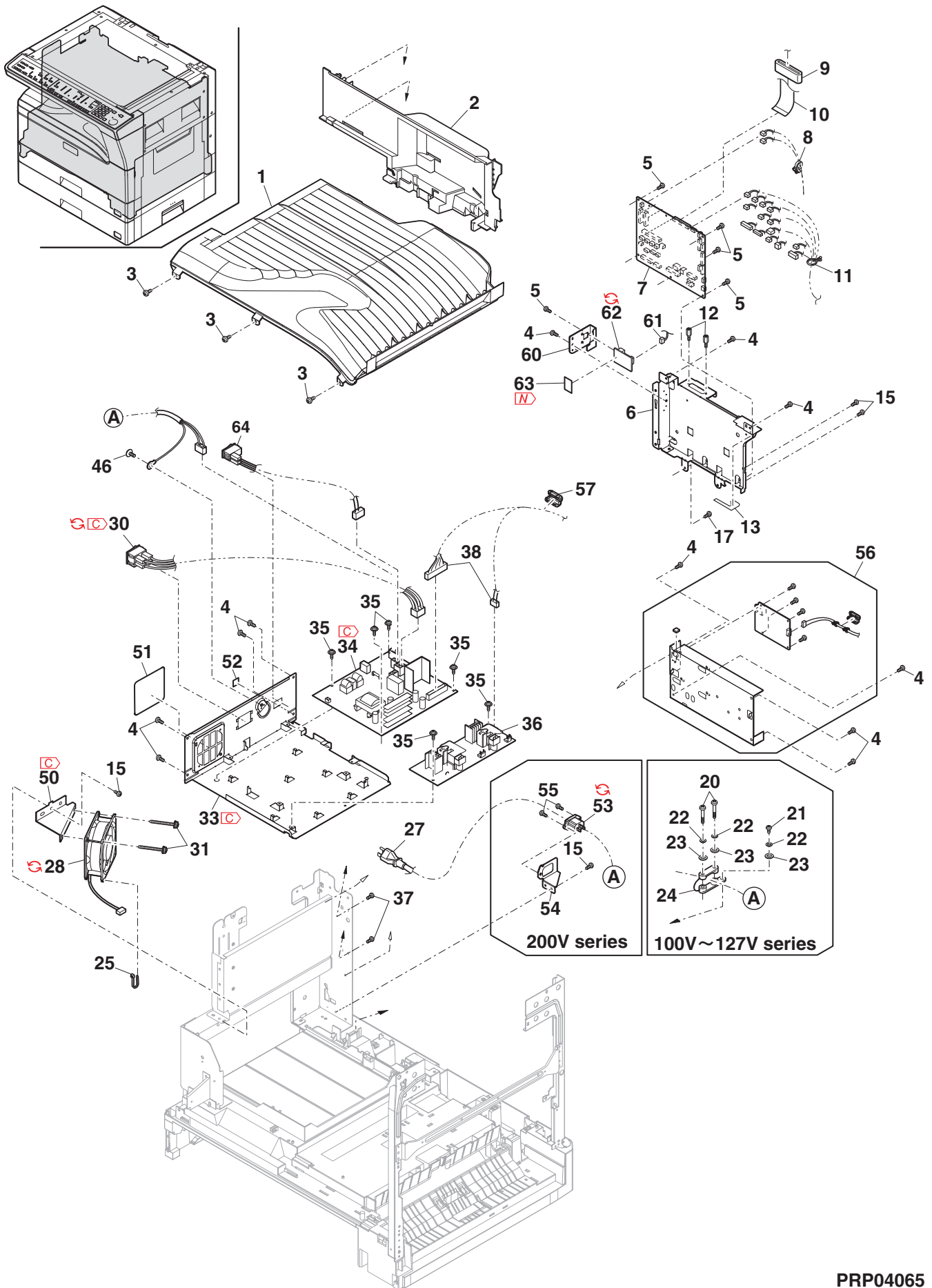
No.53		インレットハーネスユニット (Inlet harness unit)												
PARTS CODE		200V series												
		Hong Kong	Other											
	DUNT-0731RS12	1st lot	1st lot											
	DUNT-0731US12		Apr/11											

15 台板ユニット3(Base plate unit 3)

Matrix

No.62		USB I/F 基板 (USB I/F PWB)															
PARTS CODE	AR-5620S		AR-5618S AR-X180S		AR-5623 AR-5620 AR-X200		AR-5618 AR-X180		AR-5623D AR-5620D AR-5618D AR-X200D		AR-5623DA	AR-5620SL AR-5620SLX	AR-181G				
	Singapore, Vietnam	Other	Vietnam	Other	ALL	Hong Kong	Other	ALL	Argentina	ALL	Japan						
CPWBN0219QS31		1st lot		1st lot		1st lot											
 CPWBN0219QSC1	1st lot	Apr/11	1st lot	Apr/11	1st lot		1st lot	1st lot	1st lot	1st lot	1st lot	1st lot					

15 台板ユニット 3(Base plate unit 3)



16 手差しマルチユニット (Manual paper feed multi unit)

NO.	PARTS CODE	Inter-change	PRICE RANK		NEW MARK	PART RANK	DESCRIPTION	TR No.	Effective time
			Ex.	Ja.					
1	PCOVP0098QST2		AL	EB		D	Multi frame cover	マルチフレームカバー	
2	MARMP0008QSZZ		AH	DX		C	Stopper arm	ストップアーム	
3	LPLTP0056QSZZ		AD	DJ		C	Stopper plate	ストッププレート	
4	XRESP40-06000		AA	DD		C	E type ring(E4)	Eリング	
5	LBOSZ0199QSZZ		AE	DS		C	Cam boss A1	カムボス A1	
6	PPiPP0109FCZ1		AC	DJ		C	Manual paper feed clutch sleeve A pipe	手差しクラッチスリーブ Aパイプ	
7	MSPRC1315FCZ1		AD	DJ		C	Manual paper feed clutch spring A	手差しクラッチスプリング A	
8	XPSSJ20-07000		AA	DD		C	Spring pin	スプリングピン	
9	LBOSZ0150QSZZ		AE	DS		C	Cam boss A2N	カムボス A2N	
10	LBSHZ0303FCZZ		AC	DJ		C	M bushing C	Mブッシング C	
11	NSFTZ0096QSZZ		AF	DS		C	Roller shaft F_N	ローラシャフト F_N	
12	MSPRT0091QSZZ		AC	DJ		C	Roller arm spring	ローラアームスプリング	
13	NROLR0922FCZ2		AR	ZZ		C	Manual paper feed roller	手差しローラー	
14	NGERH0223QSZZ		AC	DJ		C	Manual paper feed pick up gear(20T)	手差し呼び込みギヤ	
15	NGERH0061QSZZ		AD	DJ		C	Gear(24T)	ギヤ	
16	MARMP0009QSZZ		AF	DS		C	Roller arm	ローラアーム	
17	NRÖLR1267FCZ1		AH	DX		C	Manual paper feed pick up roller	手差し呼び込みローラー	
18	XEB5730P10000		AC	DD		C	Screw(3×10)	ビス	
19	MARMP0041QSZZ		AE	DS		C	Cam transmission arm	カム伝達アーム	
20	MARMP0006QSZZ		AD	DJ		C	Lever arm	レバアーム	
21	NSFTZ0017QSP1		AD	DJ		C	Manual paper feed cam shaft	手差しカムシャフト	
22	MCAMP0001QSZZ		AF	DS		C	Drive cam	駆動カム	
23	MSPRC1316FCZ1		AE	DS		C	Manual paper feed clutch spring B	手差しクラッチスプリング B	
24	PPiPP0009QSZZ		AD	DJ		C	Cam clutch sleeve	カムクラッチスリーブ	
25	CPLTM0304QS03		AD	DS		C	Paper feed joint plate	給紙接続板	
26	PGiDM0187QSZZ		AK	DX		C	Multi frame cover guide(Refer to Matrix)	マルチフレームカバーガイド	
	PGiDM0117QSZZ		AK	DX		C	Multi frame cover guide(Refer to Matrix)	マルチフレームカバーガイド	
27	NGERH0972FCZZ		AB	DJ		C	Gear(27T)	ギヤ	
28	RPLU-0037QSZZ		BA	FX		B	Multi feeding solenoid	マルチフィードソレノイド	
29	MSPRC1318FCZ1		AA	DJ		C	Manual paper feed spring B	手差しスプリング B	
30	PTME-0179FCZZ		AC	DD		C	Manual paper feed latch B	手差しラッチ B	
31	PTME-0178FCZZ		AC	DJ		C	Manual paper feed latch A	手差しラッチ A	
32	MSPRC2175FCZZ		AA	DJ		C	Pawl A spring	爪 A スプリング	
33	Ⓢ LFRM-0020QSTU	-	AV	FG	N	D	Multi frame [Missing parts code]	マルチフレーム	1st lot
34	XBBS730P10000		AA	DD		C	Screw(3×10)	ビス	
35	PSHEZ0099QSZZ		AC	DJ		C	Vibration proof sheet	防振シート	
36	MSPRT0147QSZZ		AC	DJ		C	Stopper arm spring	ストップアームスプリング	
37	PSHEZ0241QSZZ		AB	DJ		C	Vibration proof sheet C	防振シート C	
38	XEB5730P08000		AC	DD		C	Screw(3×8)	ビス	
39	LX-WZ0011QSZZ		AB	DD		C	Poly slider(5-12-0.5)	ポリスライダ	
40	PSHEZ0410QSZZ		AC	DJ		C	Manual paper feed protect mylar(Refer to Matrix)	手差し保護マイラ	
51	MARMP0005QSE1		AD	DJ		C	Tray arm	トレイアーム	
52	LSTPP0011QSZZ		AC	DJ		C	Stopper	ストップ	
53	LBSHZ0006QSZZ		AC	DJ		C	M bushing 2	Mブッシング 2	
54	NCPL-0012QSZZ		AD	DJ		C	Manual paper feed coupling	手差しカップリング	
55	MSPRD0302QSZZ		AC	DJ		C	Manual paper feed coupling spring	手差しカップリングスプリング	
56	NSFTZ0090QSZZ		AG	DX		C	Roller shaft R	ローラシャフト R	
58	CSOU-0009QS41		BA	FX		E	Manual paper feed tray unit(Refer to Matrix)	手差しトレイユニット	
	Ⓢ CSOU-0009QS43	1	AZ	FQ		E	Manual paper feed tray unit(Refer to Matrix)	手差しトレイユニット	
	CSOU-0009QS44		BA	FX		E	Manual paper feed tray unit(Refer to Matrix)	手差しトレイユニット	
	CFRM-0020RS5B		BD	GN		E	Manual paper feed multi unit(Refer to Matrix)	手差しマルチユニット	
501	Ⓢ CFRM-0020US5B	1	BF	GN		E	Manual paper feed multi unit(Refer to Matrix)	手差しマルチユニット	
	CFRM-0020RS62		BE	GN		E	Manual paper feed multi unit(Refer to Matrix)	手差しマルチユニット	

16 手差しマルチユニット (Manual paper feed multi unit)

Matrix

No.26	マルチフレームカバーガイド* (Multi frame cover guide)													
PARTS CODE	Hong Kong	Other												
	PG i DM0187QSZ1	1st lot												
PG i DM0117QSZ2	1st lot													

No.40-1/2	手差し保護マýラ- (Manual paper feed protect mylar)														
PARTS CODE	AR-5623N AR-X230N			AR-5620N				AR-5618N			AR-5620S AR-5618S AR-X180S				
	Germany, Switzerland, France, Spain, Italy	India, Singapore, Malaysia, Vietnam	Australia, New Zealand	Other	Germany, Switzerland, France, Spain, Italy	India	Australia, New Zealand, Malaysia, Vietnam	Other	Germany, Switzerland, France, Spain, Italy	India, Singapore, Malaysia, Vietnam	Other	Germany, Switzerland, France	India	Lebanon, Nigeria, Algeria, Egypt, Jordan, Tunisia, Morocco	Other
PSHEZ0410QSZZ	1st lot	1st lot	1st lot		1st lot	1st lot	1st lot		1st lot	1st lot		1st lot	1st lot	1st lot	

No.40-2/2	手差し保護マýラ- (Manual paper feed protect mylar)														
PARTS CODE	AR-5623 AR-5620 AR-5620NM AR-X200	AR-5618 AR-X180			AR-5623D AR-5620D AR-5618D AR-X200D	AR-5623DA	AR-5620SL AR-5620SLX	AR-181G							
	Taiwan	Other	Hong Kong	Taiwan	Other	ALL	Argentina	ALL	Japan						
PSHEZ0410QSZZ	1st lot		1st lot	1st lot											

16 手差しマルチユニット (Manual paper feed multi unit)

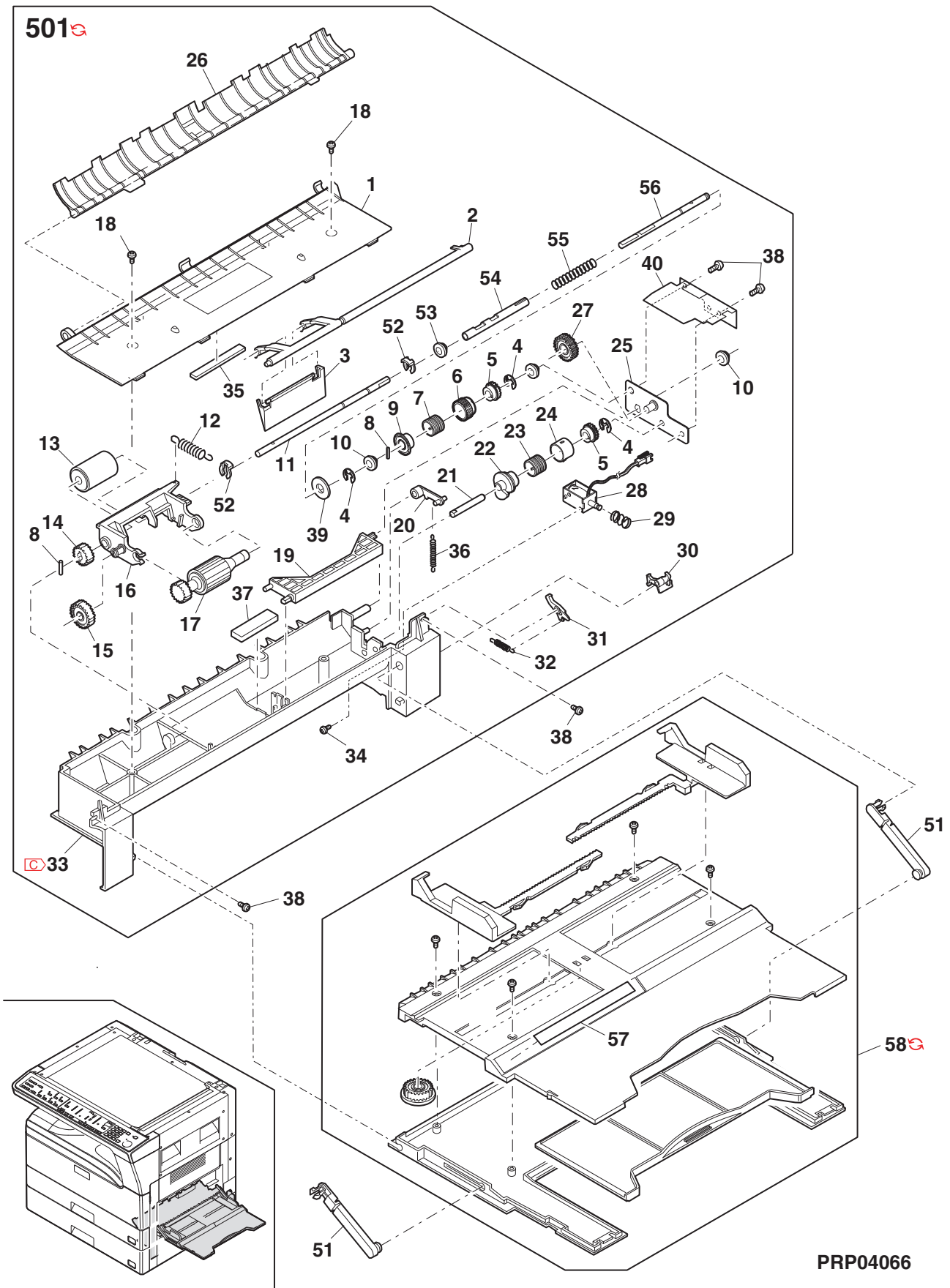
Matrix

No.58-1/2		手差しトレイユニット (Manual paper feed tray unit)											
PARTS CODE	AR-5623N AR-X230N			AR-5620N	AR-5618N	AR-5620S AR-5618S AR-X180S	AR-5623 AR-5620 AR-5620NM AR-X200		AR-5618 AR-X180		AR-5623D AR-5620D AR-5618D AR-X200D	AR-5623DA	
	Australia, New Zealand	Other	Malaysia, Vietnam, Australia, New Zealand	Other	ALL	ALL	Taiwan	Other	Hong Kong	Taiwan	Other	ALL	Argentina
CSOU-0009QS41	1st lot	1st lot	1st lot	1st lot	1st lot	1st lot	1st lot		1st lot	1st lot			
CSOU-0009QS43		Apr/11		Apr/11	Apr/11	Apr/11		1st lot			1st lot	1st lot	1st lot

No.58-2/2		手差しトレイユニット (Manual paper feed tray unit)										
PARTS CODE	AR-5620SL AR-5620SLX											
	ALL	Japan	AR-181G									
CSOU-0009QS43	1st lot											
CSOU-0009QS44		1st lot										

No.501		手差しマルチユニット (Manual paper feed multi unit)										
PARTS CODE	AR-5623N AR-5620N AR-5618N AR-X230N		AR-5620S AR-5618S AR-X180S	AR-5623 AR-5620 AR-5620NM AR-X200	AR-5618 AR-X180	AR-5623D AR-5620D AR-5618D AR-X200D	AR-5623DA	AR-5620SL AR-5620SLX	AR-181G			
	ALL	ALL	ALL	Hong Kong	Other	ALL	Argentina	ALL	Japan			
CFRM-0020RS5B	1st lot	1st lot										
CFRM-0020US5B	Apr/11	Apr/11	1st lot		1st lot	1st lot	1st lot	1st lot	1st lot			
CFRM-0020RS62				1st lot								

16 手差しマルチユニット (Manual paper feed multi unit)



17 排紙フレームユニット (Delivery frame unit)
 [AR-5620S/5618S/X180S/5623/5620/5620NM/X200/5618/X180/5620SL/5620SLX/181G]

NO.	PARTS CODE	Inter-change	PRICE RANK		NEW MARK	PART RANK	DESCRIPTION	TR No.	Effective time
			Ex.	Ja.					
1	PBRSS0026QSZZ		AF	DS		B	Discharge brush 除電ブラシ		
	PBRSS0026QSZ1	1	AE	DJ		B	Discharge brush 除電ブラシ		11/08 R/C
2	XEBS730P08000		AC	DD		C	Screw(3×8) ビス		
3	CPWBF0147QSE9		AP	EQ		E	DUP/P-OUT sensor PWB(Refer to Matrix) DUP/P-OUT センサ基板		
	CPWBF0191US54	1	AT	EZ		E	DUP/P-OUT sensor PWB(Refer to Matrix) DUP/P-OUT センサ基板		
4	NRÖLM0179QSZZ		AN	EG		B	Delivery roller 排紙ローラー		
5	MLEVP0025QSZZ		AD	DJ		C	Delivery actuator 排紙アクチュエーター		
7	LFRM-0105QSZZ		AR	EQ		C	Delivery frame upper(Refer to Matrix) 排紙フレーム上		
	LFRM-0105QSZ1	3	AR	EQ		C	Delivery frame upper(Refer to Matrix)[Countermeasure] 排紙フレーム上	DCE-837	
	LFRM-0105QSZ1	-	AR	EQ	N	C	Delivery frame upper(Refer to Matrix) [Missing parts code] 排紙フレーム上		
8	NBRGM0501FCZZ		AB	DJ		C	Bearing 軸受		
9	NPLYZ0029QSZZ		AD	DJ		C	Delivery drive gear(34T) 排紙駆動ギヤ		
10	XRESP50-06000		AA	DD		C	E type ring(E5) Eリング		
11	MSPRD0297QSZ1	1	AG	DX		C	Delivery earth spring(Refer to Matrix) 排紙アースリング		
	MSPRD0473QSZZ		AD	DJ		C	Delivery earth spring(Refer to Matrix) 排紙アースリング		
12	NFANP0021QSPZ		AP	EQ		B	Cooling fan(Refer to Matrix) クーリングファン		
	NFANP0026QSPZ	5	AP	EQ		B	Cooling fan(Refer to Matrix) [With No.7] クーリングファン	DCE-837	
13	LX-BZ0030QSPZ		AC	DD		C	Screw(2×6) ビス		
14	Pf i LZ0017QSZ1		AP	EQ		A	Ozone filter VOC2(Refer to Matrix) オゾンフィルター VOC2		
	Pf i LZ0017QSZ2	1	AP	EQ		A	Ozone filter VOC2(Refer to Matrix) オゾンフィルター VOC2		
	Pf i LZ0017QSZ2	-	AP	EQ	N	A	Ozone filter VOC2(Refer to Matrix) [Missing parts code] オゾンフィルター VOC2		
	Pf i LZ0027QSZ1		AM	EG		A	Ozone filter VOC2(Refer to Matrix) オゾンフィルター VOC2		
17	MSPRT0229GCAZ		AC	DJ		C	FU spring R FU スプリング R		
18	NRÖLP0122QSZZ		AH	DX		C	Delivery follower roller A 排紙従動ローラー A		
19	NKOM-0002QSZZ		AC	DJ		C	Delivery collar 排紙コロ		
20	LFRM-0112QSZZ		AV	FG		C	Delivery frame lower 排紙フレーム下		
21	LPLTP0385QSZZ		AD	DJ		C	Delivery fixing plate 排紙押えプレート		
24	PSPO-0034QSZZ		AC	DD		C	Delivery cushion(Refer to Matrix) 蹴出しスポンジ		
	PSPO-0030QSZZ		AC	DJ		C	Delivery cushion(Refer to Matrix) 蹴出しスポンジ		
25	PSHEZ0710QSZZ		BD	GN		C	Delivery fan mylar 排紙ファンマイラー		
	(Unit)								
901	CFRM-0112RS51		BF	GN		E	Delivery frame unit(Refer to Matrix) 排紙フレームユニット		
	CFRM-0112US51	1	BH	HC		E	Delivery frame unit(Refer to Matrix) 排紙フレームユニット		
	CFRM-0112US53		BH	HC		E	Delivery frame unit(Refer to Matrix) 排紙フレームユニット		
	CFRM-0112US54	-	BH	GX	N	E	Delivery frame unit(Refer to Matrix)[Missing parts code] 排紙フレームユニット		
	CFRM-0112US57	-	BH	HC	N	E	Delivery frame unit(Refer to Matrix)[Missing parts code] 排紙フレームユニット		
	CFRM-0112US58		BH	GX		E	Delivery frame unit(Refer to Matrix) 排紙フレームユニット		
	CFRM-0112US56		BH	GX		E	Delivery frame unit(Refer to Matrix) 排紙フレームユニット		


Matrix


No.3	DUP/P-OUT センサ基板 (DUP/P-OUT sensor PWB)									
PARTS CODE	India, Germany, Switzerland, France	Lebanon, Nigeria, Algeria, Egypt, Jordan, Tunisia, Morocco	Other	ALL	Hong Kong	Other	ALL	Japan		
CPWBF0147QSE9	1st lot	1st lot			1st lot					
CPWBF0191US54	Apr/11	Apr/11	1st lot	1st lot		1st lot	1st lot	1st lot		


17 排紙フレームユニット (Delivery frame unit)


[AR-5620S/5618S/X180S/5623/5620/5620NM/X200/5618/X180/5620SL/5620SLX/181G]

Matrix

No.7		排紙フレーム上 (Delivery frame upper)																
PARTS CODE	AR-5620S AR-5618S AR-X180S	AR-5623 AR-5620 AR-5618 AR-X200 AR-X180			AR-5620NM			AR-5620SL AR-5620SLX		AR-181G								
	Iran	Other	Russia, South Africa	Iran	Hong Kong	Other	Algeria	ALL	Japan									
LFRM-0105QSZZ	1st lot					1st lot												
 LFRM-0105QSZ1	1st lot	Jun/11	1st lot	1st lot	1st lot	Jun/11	1st lot	1st lot	1st lot									

No.11		排紙アースリング (Delivery earth spring)																
PARTS CODE	AR-5620S AR-5618S AR-X180S	AR-5623 AR-5620 AR-5620NM AR-X200 AR-X180			AR-5618 AR-X180			AR-5620SL AR-5620SLX		AR-181G								
	India, Germany, Switzerland, France	Lebanon, Nigeria, Algeria, Egypt, Jordan, Tunisia, Morocco	Other	ALL	Hong Kong	Other	ALL	Japan										
 MSPRD0297QSZ1	Apr/11	Apr/11	1st lot	1st lot		1st lot	1st lot	1st lot	1st lot									
MSPRD0473QSZZ	1st lot	1st lot				1st lot												

No.12		クーリングファン (Cooling fan)																
PARTS CODE	AR-5620S	AR-5618S AR-X180S			AR-5623 AR-5620 AR-5618 AR-5620NM AR-X200 AR-X180			AR-5620SL AR-5620SLX		AR-181G								
	ALL	Iran	Other	ALL	ALL	Japan												
NFANP0021QSPZ	1st lot		1st lot															
 NFANP0026QSPZ	Oct/11	1st lot	Oct/11	1st lot	1st lot	1st lot	1st lot											

No.14		オゾンフィルター- VOC2(Ozone filter VOC2)																
PARTS CODE	Japan	Other	Russia, South Africa, Iran, Hong Kong															
		1st lot																
 PF i LZ0017QSZ2		Oct/11	1st lot															
PF i LZ0027QSZ1	1st lot																	

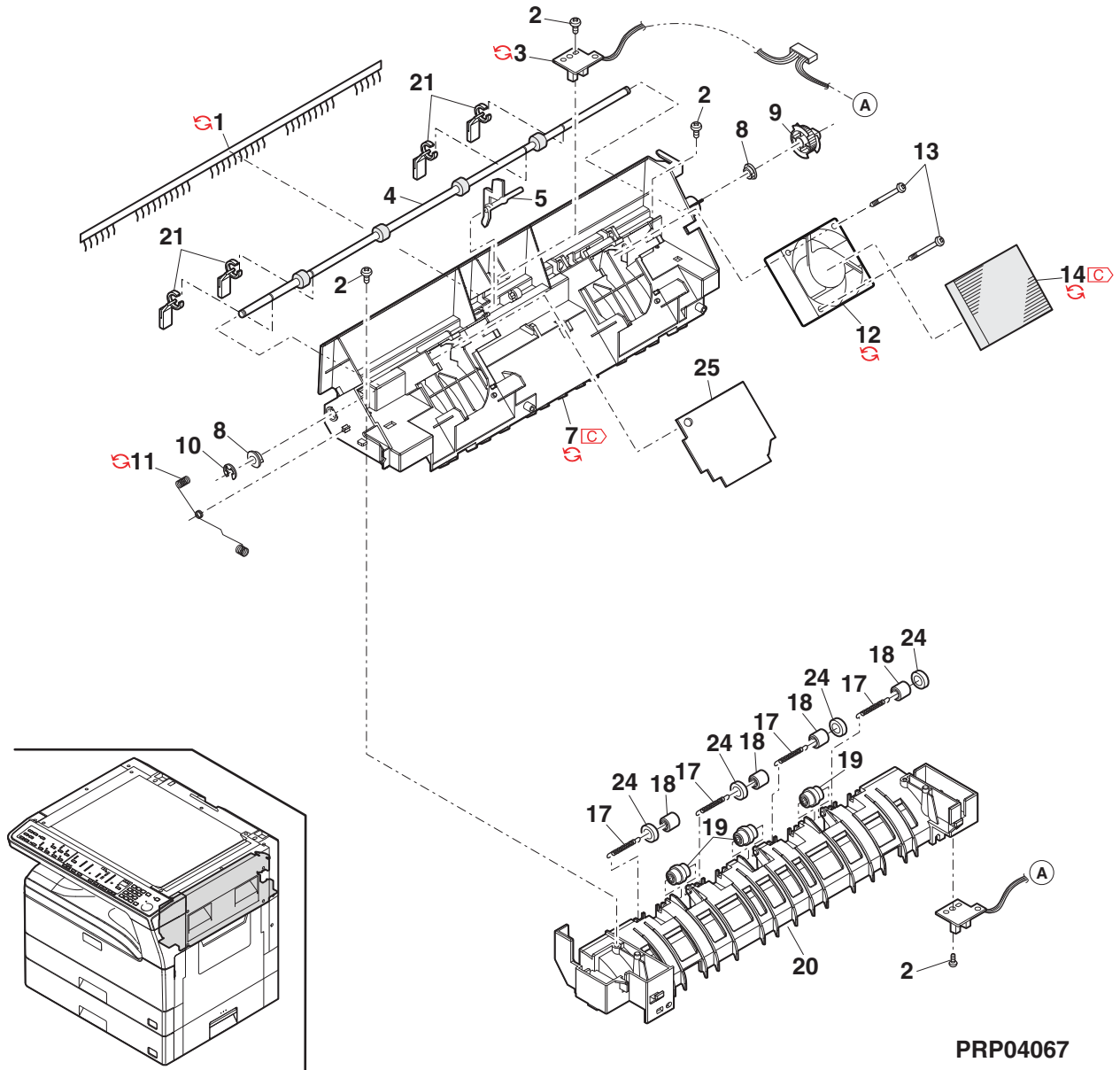
17 排紙フレームユニット (Delivery frame unit)
 [AR-5620S/5618S/X180S/5623/5620/5620NM/X200/5618/X180/5620SL/5620SLX/181G]

Matrix

No.24		蹴出しスポンジ (Delivery cushion)											
PARTS CODE	AR-5620S AR-5618S AR-X180S	AR-5623	AR-5620 AR-5618 AR-5620NM AR-X200 AR-X180	AR-5620SL AR-5620SLX	AR-181G								
	ALL	ALL	ALL	ALL	Japan								
PSP0-0034QSZZ		1st lot											
PSP0-0030QSZZ	1st lot		1st lot	1st lot	1st lot								

No.901		排紙フレームユニット (Delivery frame unit)												
PARTS CODE	India, Germany, Switzerland, France	Lebanon, Nigeria, Algeria, Egypt, Jordan, Tunisia, Morocco	Iran	Other	Russia	Other	Russia, South Africa	Iran	Taiwan	Hong Kong	Other	Algeria	Japan	ALL
	AR-5620S AR-5618S AR-X180S				AR-5623		AR-5620 AR-5618 AR-X200 AR-X180					AR-5620NM	AR-5620SL AR-5620SLX	AR-181G
CFRM-0112RS51	1st lot	1st lot												
CFRM-0112US51	Apr/11	Apr/11		1st lot							1st lot			
CFRM-0112US53						1st lot								
CFRM-0112US54													1st lot	
CFRM-0112US57														1st lot
CFRM-0112US58					1st lot									
CFRM-0112US56			1st lot				1st lot	1st lot	1st lot			1st lot		

17 排紙フレームユニット (Delivery frame unit)
[AR-5620S/5618S/X180S/5623/5620/5620NM/X200/5618/X180/5620SL/5620SLX/181G]



PRP04067

18 排紙フレームユニット (Delivery frame unit)
 [AR-5623N/X230N/5620N/5618N/5623D/5623DA/5620D/X200D/5618D]

NO.	PARTS CODE	Inter-change	PRICE RANK		NEW MARK	PART RANK	DESCRIPTION	TR No.	Effective time
			Ex.	Ja.					
1	XEBS730P08000		AC	DD		C	Screw(3×8)		ビス
2	GCOV-0049QST3		AN	EG		D	Delivery front cover		排紙前カバー
5	PSPO-0034QSZZ		AC	DD		C	Delivery cushion		蹴出しスポンジ
6	NRÖLM0180QSZZ		AN	EG		C	Delivery roller PEGLC		排紙ローラー PEGLC
7	MSPRT0229GCAZ		AC	DJ		C	FU spring R		FUスプリング R
8	NRÖLP0123QSZZ		AH	DX		C	Delivery follower roller B		排紙従動ローラー B
9	NKOM-0002QSZZ		AC	DJ		C	Delivery collar		排紙コロ
11	PBRSR0005QSZZ		AK	EB		B	Discharge brush		除電ブラシ
11	PBRSR0005QSZ1	1	AK	EB	N	B	Discharge brush		除電ブラシ
12	XRESP50-06000		AA	DD		C	E type ring(E5)		Eリング
13	NBRGC0529FCZZ		AD	DJ		C	Bearing		軸受
14	LPLTM0100QSZ1		AD	DJ		C	Delivery earth plate B		排紙アース板 B
16	LHLDZ0040QSZ3		AN	EG		C	Delivery follower roller holder		排紙従動ローラーホルダー
22	NRÖLP0122QSZZ		AH	DX		C	Delivery follower roller A		排紙従動ローラー A
23	LPLTP0385QSZZ		AD	DJ		C	Delivery fixing plate		排紙押えプレート
28	MLEVP0025QSZZ		AD	DJ		C	Delivery actuator		排紙アクチュエーター
29	CPWBF0147QSE2		AP	EQ		E	DUP/P-OUT sensor PWB(Refer to Matrix)		DUP/P-OUT センサー基板
29	CPWBF0191US51		AS	EQ		E	DUP/P-OUT sensor PWB(Refer to Matrix)		DUP/P-OUT センサー基板
30	MSPRD0143QSZZ		AF	DS		C	Delivery earth spring A		排紙アーススプリング A
31	NGERH0063QSZZ		AD	DJ		C	Delivery drive gear(30T)		排紙駆動ギヤ
32	LPINS0258FCZZ		AA	DD		C	Spring pin(φ3-8)		スプリングピン
33	NBRGC0019QSZZ		AD	DJ		C	Bearing(φ6)		軸受
34	XRESP40-06000		AA	DD		C	E type ring(E4)		Eリング
35	NGERH0070QSZZ		AC	DJ		C	DUP delivery R gear(20T)		DUP 排紙 R ギヤ
36	XPSSJ20-10000		AA	DD		C	Spring pin(φ2-10)		スプリングピン
37	NBRGY2122SCZZ		AB	DD		C	Transport roller bearing 1		搬送ローラーベアリング 1
38	NRÖLP0038QSZZ		AP	EQ		C	DUP delivery roller		DUP 排紙ローラー
39	LFRM-0027QSZZ		AV	FG		C	Delivery frame(Refer to Matrix)		排紙フレーム
39	LFRM-0027QSZZ		AV	FG		C	Delivery frame(Refer to Matrix)		排紙フレーム
40	PFILZ0017QSZZ		AP	EQ		A	Ozone filter VOC2(Refer to Matrix)		オゾンフィルター VOC2
40	PFILZ0017QSZZ	1	AP	EQ		A	Ozone filter VOC2(Refer to Matrix)		オゾンフィルター VOC2
40	PFILZ0017QSZZ	-	AP	EQ	N	A	Ozone filter VOC2(Refer to Matrix) [Missing parts code]		オゾンフィルター VOC2
41	PMLT-0099QSZZ		AC	DJ		C	Cooling fan cushion [AR-5623N/X230N/5620N/5618N]		クーリングファンモルト
42	LX-BZ0095QSZZ		AA	DD		C	Screw(2×6) [AR-5623N/X230N/5620N/5618N]		ビス
43	NFANP0019QSPZ		AQ	EQ		B	Cooling fan(Refer to Matrix)		クーリングファン
43	NFANP0026QSPZ		AP	EQ		B	Cooling fan(Refer to Matrix)		クーリングファン
44	PDUC-0008QSZZ		AG	DX		C	Cooling fan duct [AR-5623N/X230N/5620N/5618N]		クーリングファンダクト
45	PGIDM0062QSZZ		AK	EB		C	Delivery upper paper guide 20(Refer to Matrix)		排紙上ペーパーガイド 20
45	PGIDM0062QSZZ		AK	EB		C	Delivery upper paper guide 20(Refer to Matrix)		排紙上ペーパーガイド 20
46	NRÖLP1122FCZZ		AF	DS		C	PS upper roller		PS 上ローラー
47	PGIDM0199QSZZ		AV	FG		C	Delivery lower paper guide		排紙下ペーパーガイド
48	LHLDZ0168QSZZ	-	AD	DJ	N	C	Fan holder [Missing parts code] [AR-5623D/5623DA/5620D/X200D/5618D]		ファンホルダー
72	LHLDW0086QSZZ		AB	DJ		C	Harness ring [AR-5623N/X230N/5620N/5618N]		ハーネスリング
75	PSHEZ0710QSZZ		BD	GN		C	Delivery fan mylar		排紙ファンマイラー
501	CHLDZ0040RS63		AX	FG		E	Delivery holder(Refer to Matrix)		排紙ホルダー
501	CHLDZ0040RS68		AX	FG		E	Delivery holder(Refer to Matrix)		排紙ホルダー
501	CHLDZ0040US68	1	AZ	FX		E	Delivery holder(Refer to Matrix)		排紙ホルダー
	(Unit)								
901	DUNT-0964RS13		BH	GX		E	Delivery frame unit(Refer to Matrix)		排紙フレームユニット
901	DUNT-0964US13	1	BM	HR		E	Delivery frame unit(Refer to Matrix)		排紙フレームユニット
901	DUNT-0964US15	-	BM	HR	N	E	Delivery frame unit(Refer to Matrix)[Missing parts code]		排紙フレームユニット

18 排紙フレームユニット (Delivery frame unit)
 [AR-5623N/X230N/5620N/5618N/5623D/5623DA/5620D/X200D/5618D]

Matrix

No.29		DUP/P-OUT センサ基板 (DUP/P-OUT sensor PWB)											
PARTS CODE	AR-5623N AR-X230N	AR-5620N			AR-5618N	AR-5623D AR-5620D AR-5618D AR-X200D	AR-5623DA						
	Australia, New Zealand Other	Malaysia, Vietnam, Australia, New Zealand Other			ALL	ALL	Argentina						
CPWBF0147QSE2	1st lot	1st lot	1st lot	1st lot	1st lot								
CPWBF0191US51		Apr/11		Apr/11	Apr/11	1st lot	1st lot						

No.39		排紙フレーム (Delivery frame)											
PARTS CODE	AR-5623N AR-X230N	AR-5620N			AR-5618N	AR-5623D AR-5620D AR-5618D AR-X200D	AR-5623DA						
	Australia, New Zealand Other	Malaysia, Vietnam, Australia, New Zealand Other			ALL	ALL	Argentina						
LFRM-0027QSZ3	1st lot	1st lot	1st lot	1st lot	1st lot								
LFRM-0027QSZ4		Apr/11		Apr/11	Apr/11	1st lot	1st lot						

No.40		オゾンフィルター VOC2(Ozone filter VOC2)											
PARTS CODE	AR-5623N AR-X230N	AR-5620N			AR-5618N	AR-5623D AR-5620D AR-X200D AR-5618D							
	South Africa Iran Other	Russia Other	ALL	Russia Iran Other									
PfiLZ0017QSZ1		1st lot		1st lot	1st lot			1st lot					
PfiLZ0017QSZ2	1st lot	1st lot	Oct/11	1st lot	Oct/11	Oct/11	1st lot	1st lot	Oct/11				

18 排紙フレームユニット (Delivery frame unit)
 [AR-5623N/X230N/5620N/5618N/5623D/5623DA/5620D/X200D/5618D]

Matrix



No.43		クーリングファン (Cooling fan)											
PARTS CODE	AR-5623N AR-X230N AR-5620N AR-5618N												
	AR-5623D AR-5620D AR-X200D AR-5618D												
	ALL	ALL	Argentina	AR-5623DA									
NFANP0019QSPZ	1st lot												
NFANP0026QSPZ		1st lot	1st lot										

No.45		排紙上 ^ハ - ^ハ - ^カ イト 20(Delivery upper paper guide 20)											
PARTS CODE	AR-5623N AR-X230N												
	AR-5620N												
	AR-5618N												
	AR-5623D AR-5620D AR-5618D AR-X200D												
	AR-5623DA												
	Australia, New Zealand												
	Other												
	Malaysia, Vietnam, Australia, New Zealand												
	Other												
	ALL												
	ALL												
	Argentina												
PG i DM0062QSZ3	1st lot	1st lot	1st lot	1st lot	1st lot								
PG i DM0062QSZ4		Apr/11		Apr/11	Apr/11	1st lot	1st lot						

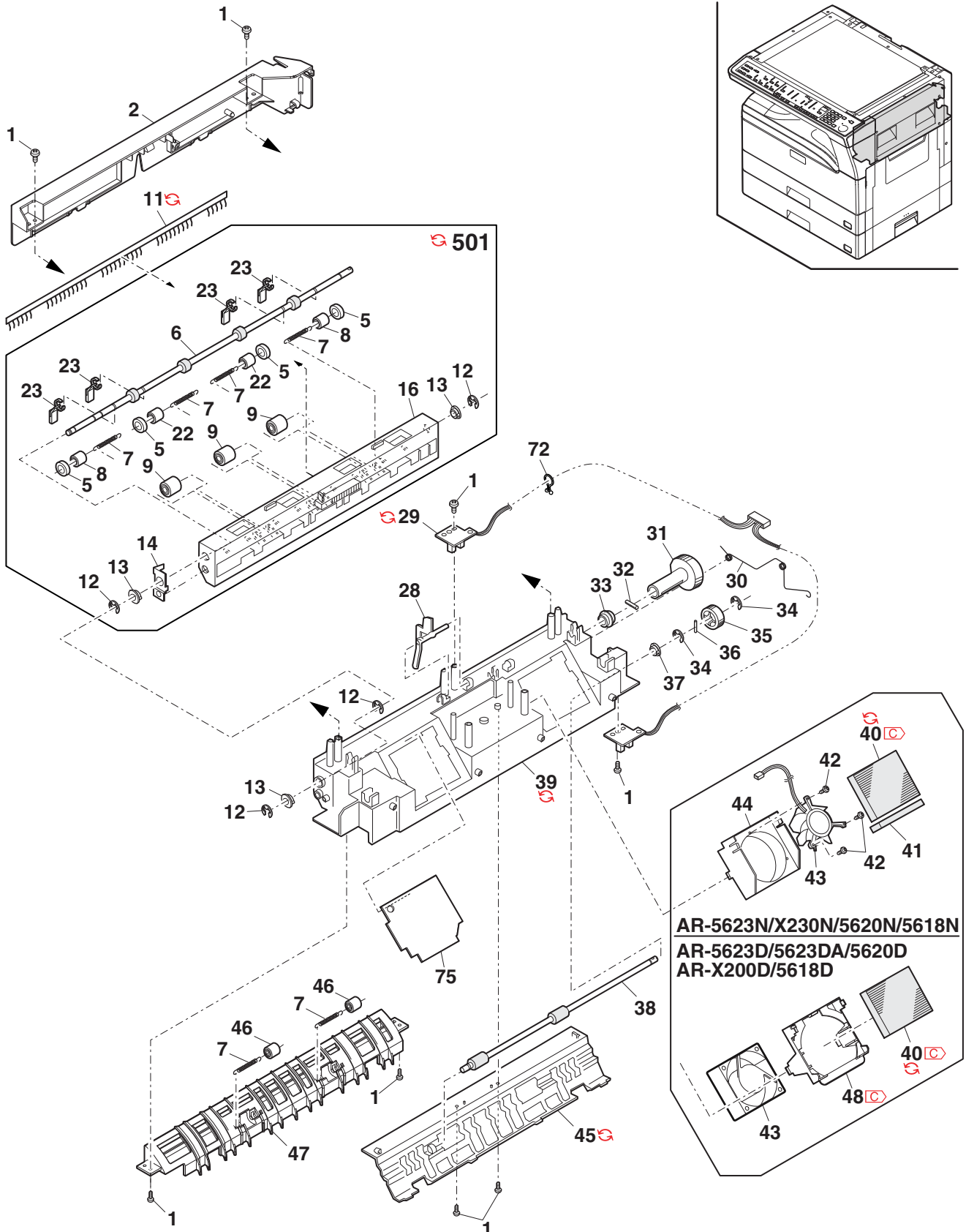
No.501		排紙ホルダ - (Delivery holder)											
PARTS CODE	AR-5623N AR-X230N												
	AR-5620N AR-5618N												
	AR-5623D AR-5620D AR-5618D AR-X200D												
	AR-5623DA												
	Australia, New Zealand												
	Other												
	ALL												
	ALL												
	Argentina												
CHLDZ0040RS63	1st lot	1st lot											
CHLDZ0040RS68			1st lot										
CHLDZ0040US68		Apr/11	Apr/11	1st lot	1st lot								

18 排紙フレームユニット (Delivery frame unit)
 [AR-5623N/X230N/5620N/5618N/5623D/5623DA/5620D/X200D/5618D]

Matrix

No.901	排紙フレームユニット (Delivery frame unit)												
PARTS CODE	AR-5623N AR-X230N	AR-5620N AR-5618N	AR-5623D AR-5620D AR-5618D AR-X200D	AR-5623DA									
	ALL	ALL	ALL	Argentina									
DUNT-0964RS13	1st lot	1st lot											
 DUNT-0964US13	Apr/11	Apr/11											
 DUNT-0964US15			1st lot	1st lot									

18 排紙フレームユニット (Delivery frame unit)
 [AR-5623N/X230N/5620N/5618N/5623D/5623DA/5620D/X200D/5618D]



AR-5623N/X230N/5620N/5618N
 AR-5623D/5623DA/5620D
 AR-X200D/5618D

19 TC ケースユニット (TC case unit)

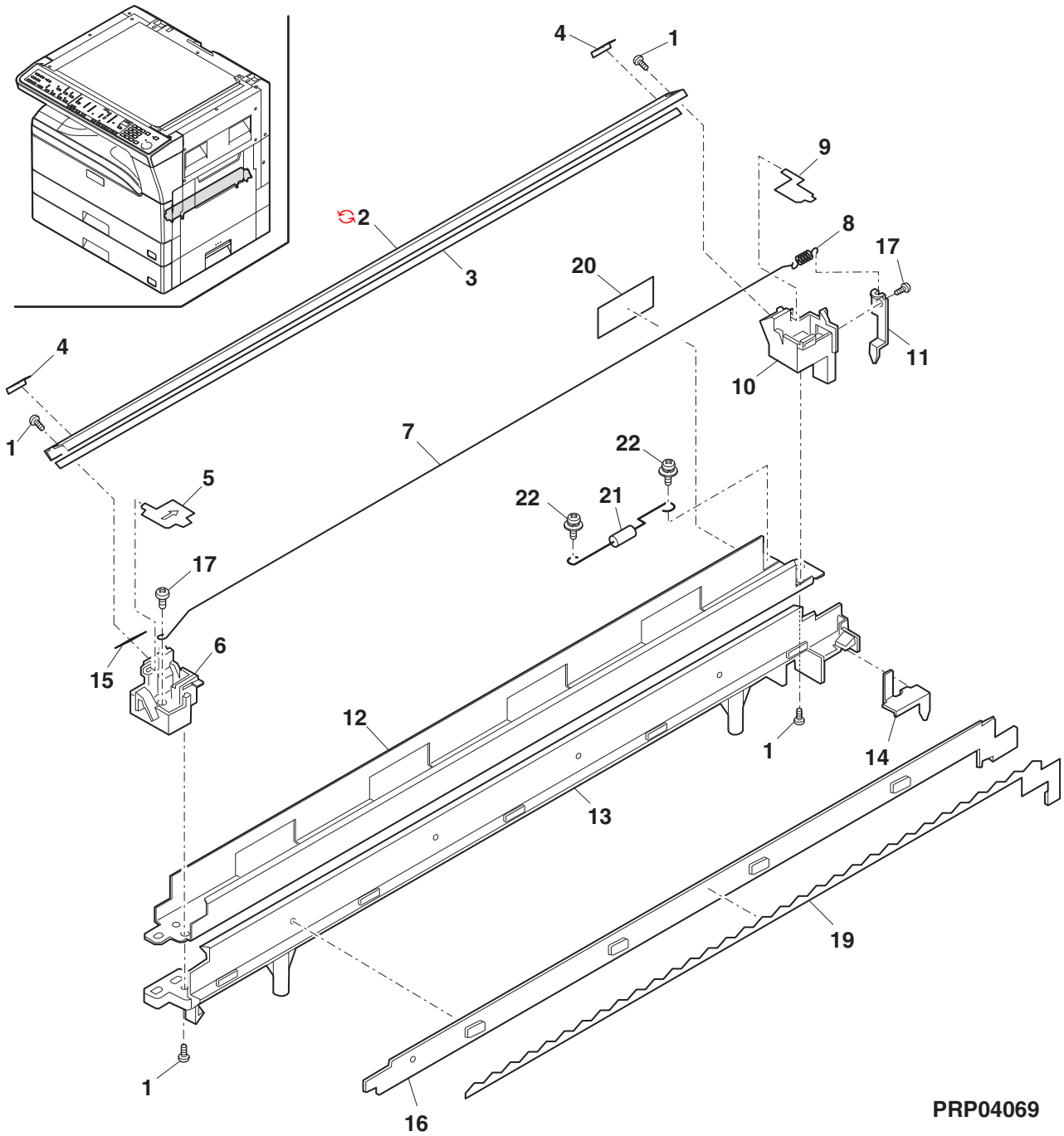
NO.	PARTS CODE	Inter-change	PRICE RANK		NEW MARK	PART RANK	DESCRIPTION	TR No.	Effective time
			Ex.	Ja.					
1	XEBS730P08000		AC	DD		C	Screw(3×8)		ビス
	PGiDH0200QSZZ		BD	GN		C	TC front guide(Refer to Matrix)		TC 前ガイド
2	PGiDH0200QSZ1	1	AK	DX		C	TC front guide(Refer to Matrix)		TC 前ガイド
3	PSHEP0050QSZ1		AD	DJ		C	TC mylar		TC マイラー
4	PSHEZ0435QSZ1		AA	DJ		C	Guide mylar		ガイドマイラー
5	PSHEP0051QSZZ		AB	DJ		C	TC cover mylar F		TC カバーマイラー F
6	LHLDZ0030QSZZ		AD	DJ		C	TC holder F		TC ホルダー F
7	DWiR-0466CSZZ		BE	HC		B	Charger wire		チャージャー線
8	MSPRT0513FCZ1		AA	DJ		C	MC tension spring		MC テンションスプリング
9	PSHEP0052QSZZ		AB	DJ		C	TC cover mylar R		TC カバーマイラー R
10	LHLDZ0032QSZZ		AD	DJ		C	TC holder R		TC ホルダー R
11	QSLP-0009QSZ1		AD	DJ		B	TC electrode plate		TC 電極板
12	PCASZ0013QSZZ		AP	EQ		D	TC case		TC ケース
13	LHLDZ0031QSZ4		AH	DX		C	Discharge holder		除電ホルダー
14	QSLP-0008QSZ1		AD	DJ		B	BC electrode plate		BC 電極板
15	PSPAZ0040QSZZ		AB	DJ		C	Front guide spacer		前ガイドスペーサー
16	PGiDM0032QSZZ		AE	DS		C	Separator guide		剥離ガイド
17	XEBS730P06000		AA	DD		C	Screw(3×6)		ビス
19	PSHEZ0125QSZZ		AE	DS		C	Discharger delivery sheet		除電排紙シート
20	PSHEZ0434QSZZ		AC	DJ		C	TC case mylar		TC ケースマイラー
21	RR-HZ226JFCPZ		AD	DJ		C	Resistor		抵抗
22	XBPSC30P06ES0		AA	DD		C	Screw(3×6ES)		ビス
	(Unit)								
901	CHLDZ0030RS57		BE	GN		E	TC case unit(Refer to Matrix)		TC ケースユニット
	CHLDZ0030US57	1	BB	GD	N	E	TC case unit(Refer to Matrix)		TC ケースユニット

Matrix

No.2	TC 前ガイド (TC front guide)																									
PARTS CODE	AR-5623N	AR-X230N	AR-5620N	AR-5618N	AR-5620S	AR-5618S	AR-X180S	AR-5623	AR-5620	AR-5620NM	AR-X200	AR-5618	AR-X180	AR-5623D	AR-5620D	AR-X200D	AR-5618D	AR-5623DA	AR-5620SL	AR-5620SLX	AR-181G					
	ALL				ALL					ALL				ALL				Argentina	ALL		Japan					
PGiDH0200QSZZ	1st lot		1st lot																							
PGiDH0200QSZ1	Mar/11		Mar/11					1st lot			1st lot			1st lot	1st lot	1st lot	1st lot	1st lot	1st lot	1st lot						

No.901	TC ケースユニット (TC case unit)																								
PARTS CODE	AR-5623N	AR-X230N	AR-5620N	AR-5618N	AR-5620S	AR-5618S	AR-X180S	AR-5623	AR-5620	AR-5620NM	AR-X200	AR-5618	AR-X180	AR-5623D	AR-5620D	AR-X200D	AR-5618D	AR-5623DA	AR-5620SL	AR-5620SLX	AR-181G				
	ALL				ALL					ALL		Hong Kong	Other		ALL			Argentina	ALL		Japan				
CHLDZ0030RS57	1st lot		1st lot									1st lot													
CHLDZ0030US57	Apr/11		Apr/11					1st lot					1st lot	1st lot	1st lot	1st lot	1st lot	1st lot	1st lot	1st lot	1st lot				

19 TC ケースユニット (TC case unit)



PRP04069

20 250 枚トレイユニット (250 sheets tray unit)

NO.	PARTS CODE	Inter-change	PRICE RANK		NEW MARK	PART RANK	DESCRIPTION	TR No.	Effective time
			Ex.	Ja.					
1	LPLTM0533USZZ		BE	GN		C	Rotation plate(Refer to Matrix)	回転板	
	LPLTM0533QSZZ	1	AT	EZ		C	Rotation plate(Refer to Matrix)	回転板	
2	MSPRP0427QSZZ		AD	DD		C	Cassette earth plate	カセットアース板	
3	PSHEZ0728QSZZ		AF	DS		C	Rotation sheet	回転シート	
4	PGIDM0188USZZ		AL	EB		C	Guide F(Refer to Matrix)	ガイド F	
	PGIDM0188QSZZ	1	AL	EB		C	Guide F(Refer to Matrix)	ガイド F	
5	PGIDM0189USZZ		AL	EB		C	Guide R(Refer to Matrix)	ガイド R	
	PGIDM0189QSZZ	1	AL	EB		C	Guide R(Refer to Matrix)	ガイド R	
6	XEBS730P08000		AC	DD		C	Screw(3×8)	ビス	
7	XWHS730-08100		AA	DD		C	Washer	ワッシャー	
8	NGERH0193FCZZ		AB	DD		C	Manual paper feed gear	手差しギヤ	
9	MSPRC0090QSZZ		AD	DJ		C	Cassette spring	カセットスプリング	
10	NBRGP0037USZZ		AL	EB		C	Bearing R(Refer to Matrix)	軸受 R	
	NBRGP0037QSZZ	1	AC	DD		C	Bearing R(Refer to Matrix)	軸受 R	
11	MSPRC0430QSZZ		AC	DJ		C	Cassette joint gear spring	カセット連結ギヤスプリング	
12	NGERH0249QSZZ		AC	DD		C	Cassette joint gear	カセット連結ギヤ	
13	LPINS0157FCZZ		AB	DD		C	Pin	ピン	
14	PSHEZ0712QSZZ		AG	DX		C	Separation sheet	カバキシート	
15	LPLTP0588QSZZ		AD	DJ		C	Separation plate(Refer to Matrix)	カバキプレート	
	LPLTP0588RSZZ	-	AD	DD	N	C	Separation plate(Refer to Matrix) [Missing parts code]	カバキプレート	
16	MSPRC0478QSAZ		AC	DD		C	Separation spring(Refer to Matrix)	カバキスプリング	
17	LSTPP0020USZZ		AL	EB		C	Rotation plate stopper(Refer to Matrix)	回転板ストッパー	
	LSTPP0020QSZZ	1	AC	DJ		C	Rotation plate stopper(Refer to Matrix)	回転板ストッパー	
18	NSFTZ0118QSZZ		AV	FG		C	Paper feed shaft(Refer to Matrix)	給紙軸	
19	XPSSJ30-12000		AB	DD		C	Spring pin(3×12)	スプリングピン	
20	NROLR0170QSZZ		AN	EQ		C	Paper feed roller	給紙ローラー	
21	GCOV-0087USZZ		AZ	FQ		D	Cassette panel(1st)(Refer to Matrix)	カセットパネル	
	GCOV-0087QSZZ		AX	FG		D	Cassette panel(1st)(Refer to Matrix)	カセットパネル	
22	GCOV-0091QSZZ		AX	FG		D	2nd cassette panel(2nd) [AR-5623N/X230N/5620N/5623/5620/5620NM/ X200/5623D/5623DA/5620D/X200D]	2nd カセットパネル	
23	PCOVP0114QSZZ	-	AE	DS	N	D	Handle cover(Refer to Matrix) [Missing parts code]	取手カバー	1st lot
	PCOVP0114QSZZ1		AD	DJ		D	Handle cover(Refer to Matrix)	取手カバー	
24	LPLTM2642FCG2		AD	DJ		C	Tray rear edge plate	トレイ後端板	
25	GCASP0009USZZ		BB	FX		D	Cassette case(Refer to Matrix)	カセットケース	
	GCASP0009QSZZ	1	BB	FX		D	Cassette case(Refer to Matrix)	カセットケース	
26	MSPRC1145FCZZ		AA	DD		C	Stopper spring	ストッパー用スプリング	
27	MSPRC0152QSZZ		AB	DJ		C	Cassette ejection spring D(Refer to Matrix)	カセット押出しスプリング D	
28	MSPRC0437QSZZ		AC	DJ		C	Cassette earth spring	カセットアーススプリング	
29	NBRGP0036USZZ		AL	EB		C	Bearing F(Refer to Matrix)	軸受 F	
	NBRGP0036QSZZ	1	AC	DD		C	Bearing F(Refer to Matrix)	軸受 F	
30	LHLDZ0155QSZZ		AD	DD		C	Regulation plate spring holder	規制板バネホルダー	
32	TTAG-0009QSZZ		AC	DJ		D	Cassette tag	カセットタグ	
33	LHLDW1226FCZZ		AB	DJ		C	Turn fastener	ターンファスター	
34	XEBS740P10000		AA	DD		C	Screw(4×10)	ビス	
35	XEBS730P06000		AA	DD		C	Screw(3×6)	ビス	
36	LX-NZ0111FCZZ		AA	DD		C	M3 plate nut	M3 板ナット	
37	NBRGP0043USZZ		AD	DD		C	Cassette fixing bearing(Refer to Matrix)	カセット押え軸受	
	NBRGP0043QSZZ	1	AC	DD		C	Cassette fixing bearing(Refer to Matrix)	カセット押え軸受	
38	MSPRC3402FCZZ		AC	DJ		C	Spring	スプリング	
39	LPLTM0558QSZZ		AD	DJ		C	Separation guide plate [Missing parts code]	カバキガイド板	
40	XBBS730P06000		AC	DD		C	Screw(3×6)	ビス	
41	NROLP0178QSZZ		AD	DJ		C	Paper feed support collar [Except Hong Kong]	給紙補助口	
42	TLABH0864QSZZ	-	AE	DJ		D	Cassette caution label [AR-5623N(Australia,New Zealand)/5620N(Malaysia, Vietnam,Australia,New Zealand)/5618N(Hong Kong)]	カセット注意ラベル	11/07 R/C
44	LX-BZ0049FCPZ		AB	DD		C	Screw(4×6) [Hong Kong]	ビス	
	(Unit)								
901	CCASP0009RS53		BM	HV		E	250 sheets tray unit(1st)(Refer to Matrix)(Except No.22)	250 枚トレイユニット	
	CCASP0009US53	1	BM	HR		E	250 sheets tray unit(1st)(Refer to Matrix)(Except No.22)	250 枚トレイユニット	
	CCASP0009RS57	-	BH	HC	N	E	250 sheets tray unit(1st)(Refer to Matrix) [Missing parts code](Except No.22)	250 枚トレイユニット	
902	CCASP0009RS54		BM	HR		E	2nd 250 sheets tray unit(2nd)(Refer to Matrix) (Except No.21)	2nd250 枚トレイユニット	
	CCASP0009US54	1	BL	HR		E	2nd 250 sheets tray unit(2nd)(Refer to Matrix) (Except No.21)	2nd250 枚トレイユニット	

20 250 枚トレイユニット (250 sheets tray unit)

Matrix

No.1-1/2	回転板 (Rotation plate)														
PARTS CODE	AR-5623N AR-X230N				AR-5620N				AR-5618N			AR-5620S AR-5618S AR-X180S			
	Germany, Switzerland, France, Spain, Italy	India, Singapore, Malaysia, Vietnam	Australia, New Zealand	Other	Germany, Switzerland, France, Spain, Italy	India, Malaysia, Vietnam	Australia, New Zealand	Other	Germany, Switzerland, France, Spain, Italy	India, Singapore, Malaysia, Vietnam	Other	Germany, Switzerland, France	India	Lebanon, Nigeria, Algeria, Egypt, Jordan, Tunisia, Morocco	Other
LPLTM0533USZZ	1st lot	1st lot	1st lot	1st lot	1st lot	1st lot	1st lot	1st lot	1st lot	1st lot	1st lot	1st lot	1st lot	1st lot	1st lot
LPLTM0533QSZZ	Jul/11	Jul/11	Jul/11		Jul/11	Jul/11	Jul/11		Jul/11	Jul/11		Jul/11	Jul/11	Jul/11	

No.1-2/2	回転板 (Rotation plate)														
PARTS CODE	AR-5623 AR-5620 AR-5620NM AR-X200		AR-5618 AR-X180		AR-5623D AR-5620D AR-5618D AR-X200D		AR-5623DA AR-5620SL AR-5620SLX		AR-181G						
	ALL	Hong Kong	Other	ALL	Argentina	ALL	Japan								
LPLTM0533USZZ	1st lot		1st lot	1st lot	1st lot	1st lot	1st lot								
LPLTM0533QSZZ		1st lot													

No.4-1/2	ガイド F (Guide F)														
PARTS CODE	AR-5623N AR-X230N				AR-5620N				AR-5618N			AR-5620S AR-5618S AR-X180S			
	Germany, Switzerland, France, Spain, Italy	India, Singapore, Malaysia, Vietnam	Australia, New Zealand	Other	Germany, Switzerland, France, Spain, Italy	India, Malaysia, Vietnam	Australia, New Zealand	Other	Germany, Switzerland, France, Spain, Italy	India, Singapore, Malaysia, Vietnam	Other	Germany, Switzerland, France	India	Lebanon, Nigeria, Algeria, Egypt, Jordan, Tunisia, Morocco	Other
PGiDM0188USZZ	1st lot	1st lot	1st lot	1st lot	1st lot	1st lot	1st lot	1st lot	1st lot	1st lot	1st lot	1st lot	1st lot	1st lot	1st lot
PGiDM0188QSZZ	Jul/11	Jul/11	Jul/11		Jul/11	Jul/11	Jul/11		Jul/11	Jul/11		Jul/11	Jul/11	Jul/11	

No.4-2/2	ガイド F (Guide F)														
PARTS CODE	AR-5623 AR-5620 AR-5620NM AR-X200		AR-5618 AR-X180		AR-5623D AR-5620D AR-5618D AR-X200D		AR-5623DA AR-5620SL AR-5620SLX		AR-181G						
	ALL	Hong Kong	Other	ALL	Argentina	ALL	Japan								
PGiDM0188USZZ	1st lot		1st lot	1st lot	1st lot	1st lot	1st lot								
PGiDM0188QSZZ		1st lot													

20 250 枚トレイユニット (250 sheets tray unit)

Matrix

No.5-1/2	ガイド R(Guide R)														
PARTS CODE	AR-5623N AR-X230N				AR-5620N				AR-5618N			AR-5620S AR-5618S AR-X180S			
	Germany, Switzerland, France, Spain, Italy	India, Singapore, Malaysia, Vietnam	Australia, New Zealand	Other	Germany, Switzerland, France, Spain, Italy	India, Malaysia, Vietnam	Australia, New Zealand	Other	Germany, Switzerland, France, Spain, Italy	India, Singapore, Malaysia, Vietnam	Other	Germany, Switzerland, France	India	Lebanon, Nigeria, Algeria, Egypt, Jordan, Tunisia, Morocco	Other
PG i DM0 1 8 9 USZZ	1st lot	1st lot	1st lot	1st lot	1st lot	1st lot	1st lot	1st lot	1st lot	1st lot	1st lot	1st lot	1st lot	1st lot	1st lot
PG i DM0 1 8 9 QSZZ	Jul/11	Jul/11	Jul/11		Jul/11	Jul/11	Jul/11		Jul/11	Jul/11		Jul/11	Jul/11	Jul/11	


No.5-2/2	ガイド R(Guide R)									
PARTS CODE	AR-5623 AR-5620 AR-5620NM AR-X200	AR-5618 AR-X180	AR-5623D AR-5620D AR-5618D AR-X200D	AR-5623DA AR-5620SL AR-5620SLX	AR-181G					
	ALL	Hong Kong	Other	ALL	Argentina	ALL	Japan			
PG i DM0 1 8 9 USZZ	1st lot		1st lot	1st lot	1st lot	1st lot	1st lot			
PG i DM0 1 8 9 QSZZ		1st lot								

No.10-1/2	軸受 R(Bearing R)														
PARTS CODE	AR-5623N AR-X230N				AR-5620N				AR-5618N			AR-5620S AR-5618S AR-X180S			
	Germany, Switzerland, France, Spain, Italy	India, Singapore, Malaysia, Vietnam	Australia, New Zealand	Other	Germany, Switzerland, France, Spain, Italy	India, Malaysia, Vietnam	Australia, New Zealand	Other	Germany, Switzerland, France, Spain, Italy	India, Singapore, Malaysia, Vietnam	Other	Germany, Switzerland, France	India	Lebanon, Nigeria, Algeria, Egypt, Jordan, Tunisia, Morocco	Other
NBRGP 0 0 3 7 USZZ	1st lot	1st lot	1st lot	1st lot	1st lot	1st lot	1st lot	1st lot	1st lot	1st lot	1st lot	1st lot	1st lot	1st lot	1st lot
NBRGP 0 0 3 7 QSZZ	Jul/11	Jul/11	Jul/11		Jul/11	Jul/11	Jul/11		Jul/11	Jul/11		Jul/11	Jul/11	Jul/11	

No.10-2/2	軸受 R(Bearing R)									
PARTS CODE	AR-5623 AR-5620 AR-5620NM AR-X200	AR-5618 AR-X180	AR-5623D AR-5620D AR-5618D AR-X200D	AR-5623DA AR-5620SL AR-5620SLX	AR-181G					
	ALL	Hong Kong	Other	ALL	Argentina	ALL	Japan			
NBRGP 0 0 3 7 USZZ	1st lot		1st lot	1st lot	1st lot	1st lot	1st lot			
NBRGP 0 0 3 7 QSZZ		1st lot								


20 250 枚トレイユニット (250 sheets tray unit)

Matrix

No.15	#ハ°キア°プレート (Separation plate)													
PARTS CODE	Hong Kong	Other												
	LPLTP0588QSZZ	1st lot												
 LPLTP0588RSZZ	1st lot													

No.16-1/2	#ハ°キア°リング° (Separation spring)														
PARTS CODE	Germany,Switzerland, France,Spain,Italy	India,Singapore, Malaysia,Vietnam	Australia, New Zealand	Other	Germany,Switzerland, France,Spain,Italy	India, Malaysia,Vietnam	Australia, New Zealand	Other	Germany,Switzerland, France,Spain,Italy	India,Singapore, Malaysia,Vietnam	Other	Germany, Switzerland,France	India	Lebanon,Nigeria, Algeria,Egypt,Jordan, Tunisia,Morocco	Other
	AR-5623N AR-X230N				AR-5620N				AR-5618N			AR-5620S AR-5618S AR-X180S			
MSPRC0478QSAZ	1st lot	1st lot	1st lot		1st lot	1st lot	1st lot		1st lot	1st lot		1st lot	1st lot	1st lot	

No.16-2/2	#ハ°キア°リング° (Separation spring)													
PARTS CODE	AR-5623 AR-5620 AR-5620NM AR-X200	AR-5618 AR-X180	AR-5623D AR-5620D AR-5618D AR-X200D	AR-5623DA AR-5620SL AR-5620SLX	AR-181G									
	ALL	Hong Kong Other	ALL	Argentina ALL	Japan									
MSPRC0478QSAZ		1st lot												

No.17-1/2	回転板ストップ° - (Rotation plate stopper)														
PARTS CODE	Germany,Switzerland, France,Spain,Italy	India,Singapore, Malaysia,Vietnam	Australia, New Zealand	Other	Germany,Switzerland, France,Spain,Italy	India, Malaysia,Vietnam	Australia, New Zealand	Other	Germany,Switzerland, France,Spain,Italy	India,Singapore, Malaysia,Vietnam	Other	Germany, Switzerland,France	India	Lebanon,Nigeria, Algeria,Egypt,Jordan, Tunisia,Morocco	Other
	AR-5623N AR-X230N				AR-5620N				AR-5618N			AR-5620S AR-5618S AR-X180S			
LSTPP0020USZZ	1st lot	1st lot	1st lot	1st lot	1st lot	1st lot	1st lot	1st lot	1st lot	1st lot	1st lot	1st lot	1st lot	1st lot	1st lot
 LSTPP0020QSZZ	Jul/11	Jul/11	Jul/11		Jul/11	Jul/11	Jul/11		Jul/11	Jul/11		Jul/11	Jul/11	Jul/11	

20 250 枚トレイユニット (250 sheets tray unit)

Matrix

No.17-2/2		回転板ストッパ [®] - (Rotation plate stopper)											
PARTS CODE	AR-5623 AR-5620 AR-5620NM AR-X200	AR-5618 AR-X180		AR-5623D AR-5620D AR-5618D AR-X200D	AR-5623DA	AR-5620SL AR-5620SLX	AR-181G						
	ALL	Hong Kong	Other	ALL	Argentina	ALL	Japan						
LSTPP0020USZZ	1st lot		1st lot	1st lot	1st lot	1st lot	1st lot						
LSTPP0020QSZZ		1st lot											

No.18		給紙軸 (Paper feed shaft)											
PARTS CODE	Hong Kong	Other											
NSFTZ0118QSZ1		1st lot											

No.21		カセットパネル (Cassette panel)											
PARTS CODE	Hong Kong	Other											
GCOV-0087USZZ		1st lot											
GCOV-0087QSZZ	1st lot												

No.23		取手カバー [®] - (Handle cover)											
PARTS CODE	AR-5623N AR-X230N	AR-5620N		AR-5618N	AR-5620S AR-5618S AR-X180S	AR-5623 AR-5620 AR-5620NM AR-X200	AR-5618 AR-X180	AR-5623D AR-5620D AR-5618D AR-X200D	AR-5623DA	AR-5620SL AR-5620SLX	AR-181G		
	Australia, New Zealand	Other	Malaysia, Vietnam, Australia, New Zealand	Other	ALL	ALL	ALL	Hong Kong	Other	ALL	Argentina	ALL	Japan
PCOVP0114QSZ2	1st lot	1st lot	1st lot	1st lot	1st lot	1st lot		1st lot					
PCOVP0114QSZ1		Apr/11		Apr/11	Apr/11	Apr/11	1st lot		1st lot	1st lot	1st lot	1st lot	1st lot

20 250 枚トレイユニット (250 sheets tray unit)

Matrix

No.25-1/2		カセットケース (Cassette case)													
PARTS CODE	AR-5623N AR-X230N				AR-5620N				AR-5618N			AR-5620S AR-5618S AR-X180S			
	Germany, Switzerland, France, Spain, Italy	India, Singapore, Malaysia, Vietnam	Australia, New Zealand	Other	Germany, Switzerland, France, Spain, Italy	India, Malaysia, Vietnam	Australia, New Zealand	Other	Germany, Switzerland, France, Spain, Italy	India, Singapore, Malaysia, Vietnam	Other	Germany, Switzerland, France	India	Lebanon, Nigeria, Algeria, Egypt, Jordan, Tunisia, Morocco	Other
GCASP0009USZZ	1st lot	1st lot	1st lot	1st lot	1st lot	1st lot	1st lot	1st lot	1st lot	1st lot	1st lot	1st lot	1st lot	1st lot	1st lot
GCASP0009QSZZ	Jul/11	Jul/11	Jul/11		Jul/11	Jul/11	Jul/11		Jul/11	Jul/11		Jul/11	Jul/11	Jul/11	

No.25-2/2		カセットケース (Cassette case)													
PARTS CODE	AR-5623 AR-5620 AR-5620NM AR-X200		AR-5618 AR-X180		AR-5623D AR-5620D AR-5618D AR-X200D		AR-5623DA AR-5620SL AR-5620SLX		AR-181G						
	ALL	Hong Kong	Other	ALL	Argentina	ALL	Japan								
GCASP0009USZZ	1st lot		1st lot	1st lot	1st lot	1st lot	1st lot								
GCASP0009QSZZ		1st lot													

No.27-1/2		カセット押出しスプリング D (Cassette ejection spring D)													
PARTS CODE	AR-5623N AR-X230N				AR-5620N				AR-5618N			AR-5620S AR-5618S AR-X180S			
	Germany, Switzerland, France, Spain, Italy	India, Singapore, Malaysia, Vietnam	Australia, New Zealand	Other	Germany, Switzerland, France, Spain, Italy	India, Malaysia, Vietnam	Australia, New Zealand	Other	Germany, Switzerland, France, Spain, Italy	India, Singapore, Malaysia, Vietnam	Other	Germany, Switzerland, France	India	Lebanon, Nigeria, Algeria, Egypt, Jordan, Tunisia, Morocco	Other
MSPRC0152QSZZ	1st lot	1st lot	1st lot		1st lot	1st lot	1st lot		1st lot	1st lot		1st lot	1st lot	1st lot	

No.27-2/2		カセット押出しスプリング D (Cassette ejection spring D)													
PARTS CODE	AR-5623 AR-5620 AR-5620NM AR-X200		AR-5618 AR-X180		AR-5623D AR-5620D AR-5618D AR-X200D		AR-5623DA AR-5620SL AR-5620SLX		AR-181G						
	ALL	Hong Kong	Other	ALL	Argentina	ALL	Japan								
MSPRC0152QSZZ		1st lot													

20 250 枚トレイユニット (250 sheets tray unit)

Matrix

No.29-1/2		軸受 F(Bearing F)													
PARTS CODE	AR-5623N AR-X230N				AR-5620N				AR-5618N			AR-5620S AR-5618S AR-X180S			
	Germany, Switzerland, France, Spain, Italy	India, Singapore, Malaysia, Vietnam	Australia, New Zealand	Other	Germany, Switzerland, France, Spain, Italy	India, Malaysia, Vietnam	Australia, New Zealand	Other	Germany, Switzerland, France, Spain, Italy	India, Singapore, Malaysia, Vietnam	Other	Germany, Switzerland, France	India	Lebanon, Nigeria, Algeria, Egypt, Jordan, Tunisia, Morocco	Other
NBRGP0036USZZ	1st lot	1st lot	1st lot	1st lot	1st lot	1st lot	1st lot	1st lot	1st lot	1st lot	1st lot	1st lot	1st lot	1st lot	1st lot
NBRGP0036QSZZ	Jul/11	Jul/11	Jul/11		Jul/11	Jul/11	Jul/11		Jul/11	Jul/11		Jul/11	Jul/11	Jul/11	

No.29-2/2		軸受 F(Bearing F)													
PARTS CODE	AR-5623 AR-5620 AR-5620NM AR-X200		AR-5618 AR-X180		AR-5623D AR-5620D AR-5618D AR-X200D		AR-5623DA AR-5620SL AR-5620SLX		AR-181G						
	ALL	Hong Kong	Other	ALL	Argentina	ALL	Japan								
NBRGP0036USZZ	1st lot		1st lot	1st lot	1st lot	1st lot	1st lot								
NBRGP0036QSZZ		1st lot													

No.37-1/2		カセット押え軸受 (Cassette fixing bearing)													
PARTS CODE	AR-5623N AR-X230N				AR-5620N				AR-5618N			AR-5620S AR-5618S AR-X180S			
	Germany, Switzerland, France, Spain, Italy	India, Singapore, Malaysia, Vietnam	Australia, New Zealand	Other	Germany, Switzerland, France, Spain, Italy	India, Malaysia, Vietnam	Australia, New Zealand	Other	Germany, Switzerland, France, Spain, Italy	India, Singapore, Malaysia, Vietnam	Other	Germany, Switzerland, France	India	Lebanon, Nigeria, Algeria, Egypt, Jordan, Tunisia, Morocco	Other
NBRGP0043USZZ	1st lot	1st lot	1st lot	1st lot	1st lot	1st lot	1st lot	1st lot	1st lot	1st lot	1st lot	1st lot	1st lot	1st lot	1st lot
NBRGP0043QSZZ	Jul/11	Jul/11	Jul/11		Jul/11	Jul/11	Jul/11		Jul/11	Jul/11		Jul/11	Jul/11	Jul/11	

No.37-2/2		カセット押え軸受 (Cassette fixing bearing)													
PARTS CODE	AR-5623 AR-5620 AR-5620NM AR-X200		AR-5618 AR-X180		AR-5623D AR-5620D AR-5618D AR-X200D		AR-5623DA AR-5620SL AR-5620SLX		AR-181G						
	ALL	Hong Kong	Other	ALL	Argentina	ALL	Japan								
NBRGP0043USZZ	1st lot		1st lot	1st lot	1st lot	1st lot	1st lot								
NBRGP0043QSZZ		1st lot													

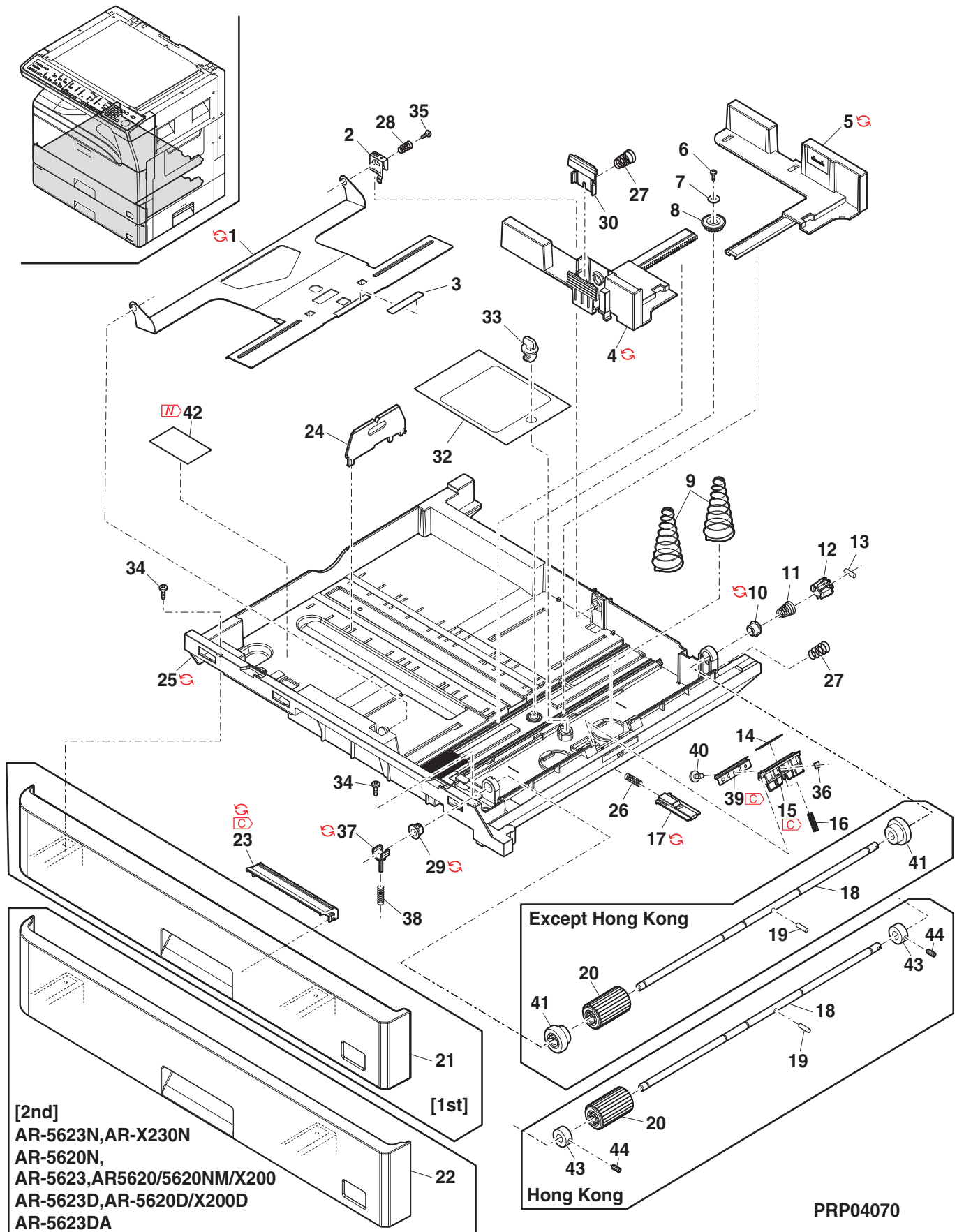
20 250 枚トレイユニット (250 sheets tray unit)

Matrix

No.901	250 枚トレイユニット (250 sheets tray unit)										
PARTS CODE	AR-5623N AR-X230N AR-5620N AR-5618N	AR-5620S AR-5618S AR-X180S	AR-5623 AR-5620 AR-5620NM AR-X200	AR-5618 AR-X180	AR-5623D AR-5620D AR-X200D AR-5618D	AR-5623DA	AR-5620SL AR-5620SLX	AR-181G			
	ALL	ALL	ALL	Hong Kong	Other	ALL	Argentina	ALL	Japan		
CCASP0009RS53	1st lot	1st lot									
CCASP0009US53	Apr/11	Apr/11	1st lot		1st lot	1st lot	1st lot	1st lot	1st lot		
CCASP0009RS57				1st lot							

No.902	2nd250 枚トレイユニット (2nd 250 sheets tray unit)										
PARTS CODE	AR-5623N AR-X230N AR-5620N	AR-5623 AR-5620 AR-5620NM AR-X200	AR-5623D AR-5620D AR-X200D	AR-5623DA							
	ALL	ALL	ALL	Argentina							
CCASP0009RS54	1st lot										
CCASP0009US54	Apr/11	1st lot	1st lot	1st lot							

20 250 枚トレイユニット (250 sheets tray unit)



21 2nd トリ外装 (2nd tray exteriors)
 [AR-5623N/X230N/5620N/5623/5620/5620NM/X200/5623D/5623DA/5620D/X200D]

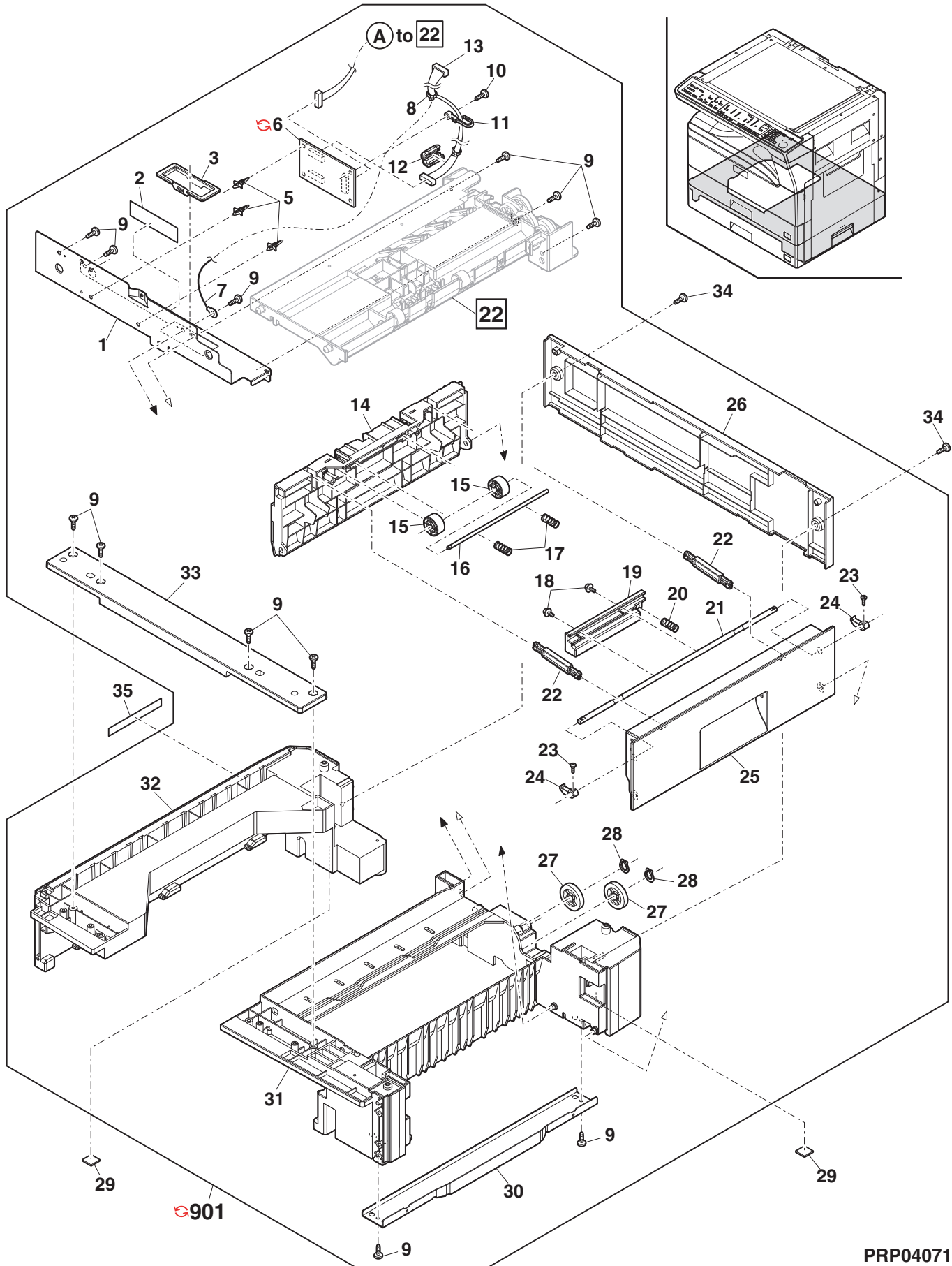
NO.	PARTS CODE	Inter-change	PRICE RANK		NEW MARK	PART RANK	DESCRIPTION	TR No.	Effective time
			Ex.	Ja.					
1	LPLTM0543QSZZ		AP	EQ		C	2nd joint plate R	2nd 連結プレートR	
2	PSHEZ0611QSZZ		AC	DJ		C	Joint plate R protect sheet	連結板 R 保護シート	
3	GGAD-0002QSZZ		AE	DS		C	Edge guard lower	エッジガード下	
5	LSUPP0083FCZZ		AB	DJ		C	PWB supporter	基板ホルダー	
6	CPWBF0238QS31		BT	NE		E	1st tray interface PWB(Refer to Matrix)	1st トリ中継基板	
6	CPWBF0238US51	1	BA	FX		E	1st tray interface PWB(Refer to Matrix)	1st トリ中継基板	
7	DHAi-0617QSPZ		BY	TF		C	Multistage earth harness	多段式アースハーネス	
8	LBNDJ0037FCZ1		AA	DJ		C	Band	バンド	
9	XEBS740P12000		AA	DD		C	Screw(4x12)	ビス	
10	XHBS730P10000		AD	DD		C	Screw(3x10)	ビス	
11	LHLDW3142KCZZ		AC	DD		C	Cable band(TY-33M)	ケーブルバンド	
12	RCORF0046FCZZ		AH	DX		C	Ferrite core(UF-90)	フェライトコア	
13	DHAi-0556QSPZ		AT	EZ		C	CS MCU harness	CS MCU ハーネス	
14	PGiDM0194QSZZ		AR	EQ		C	1st transport PG	1st 搬送 PG	
15	NR0LP0169QSZZ		AC	DJ		C	Right lower door follower collar	右下ドア従動コリ	
16	NSFTZ2949FCZZ		AG	DX		C	Right door follower shaft	右下ドア従動軸	
17	MSPRT0433QSZZ		AC	DJ		C	Right lower door pressure spring	右下ドア加圧スプリング	
18	LX-BZ3008SCPM		AA	DD		C	Screw	ビス	
19	MLEVP0136QSZZ		AF	DS		C	Right door lock release lever	右下ドアロック解除レバー	
20	MSPRC3402FCZZ		AC	DJ		C	Lock lever pressure spring	ロックレバー加圧スプリング	
21	NSFTZ0120QSZZ		AL	EB		C	Right lower door lock shaft	右下ドアロック軸	
22	MARMP0015QSZZ		AD	DJ		C	1st door arm	1st ドアアーム	
23	XBPS730P06000		AA	DD		C	Screw(3x6)	ビス	
24	PTME-0284FCZZ		AE	DS		C	L door lock pawl	L ドアロック爪	
25	GCOV-0090QSZZ		AS	EQ		D	1st right cover	1st 右カバー	
26	GCOV-0088QSZZ		AQ	EQ		D	Rear cover	後カバー	
27	NGERH0258QSZZ		AD	DD		C	Gear(31T)	ギヤ	
28	PRNGP0019FCZZ		AA	DD		C	V ring	V リング	
29	GLEGG0064FCZZ		AC	DJ		D	Rubber foot	ゴム足	
30	LPLTM0113QSZ1		AH	DX		C	Guide R joint plate	ガイド R 連結板	
31	PGiDM0192QSZZ		BD	GJ		C	Guide R	ガイド R	
32	PGiDM0191QSZZ		BC	GD		C	Guide L	ガイド L	
33	LPLTP0432QSZ1		AH	DX		C	2nd front fixing plate	2nd 前固定板	
34	XEBS740P14000		AB	DD		C	Screw(4x14)	ビス	
35	TLABH5200FCZZ		AB	DJ		D	Plug caution label	[Japan] プラグ注意ラベル	
	(Unit)								
901	DUNT-0819RS12		BS	MW		E	2nd paper feed unit(Refer to Matrix)	[Include[22]] 2nd 給紙ユニット	
901	DUNT-0819US12	1	BU	NN		E	2nd paper feed unit(Refer to Matrix)	[Include[22]] 2nd 給紙ユニット	

Matrix

No.6	1st トリ中継基板 (1st tray interface PWB)																			
PARTS CODE	AR-5623N	AR-X230N	AR-5620N	AR-5623	AR-5620	AR-5620NM	AR-X200	AR-5623D	AR-5620D	AR-X200D	AR-5623DA									
	ALL			ALL				ALL			Argentina									
CPWBF0238QS31	1st lot																			
CPWBF0238US51	Apr/11			1st lot				1st lot			1st lot									

No.901	2nd 給紙ユニット (2nd paper feed unit)																			
PARTS CODE	AR-5623N	AR-X230N	AR-5620N	AR-5623	AR-5620	AR-5620NM	AR-X200	AR-5623D	AR-5620D	AR-X200D	AR-5623DA									
	ALL			ALL				ALL			Argentina									
DUNT-0819RS12	1st lot																			
DUNT-0819US12	Apr/11			1st lot				1st lot			1st lot									

21 2nd トイ外装 (2nd tray exteriors)
[AR-5623N/X230N/5620N/5623/5620/5620NM/X200/5623D/5623DA/5620D/X200D]



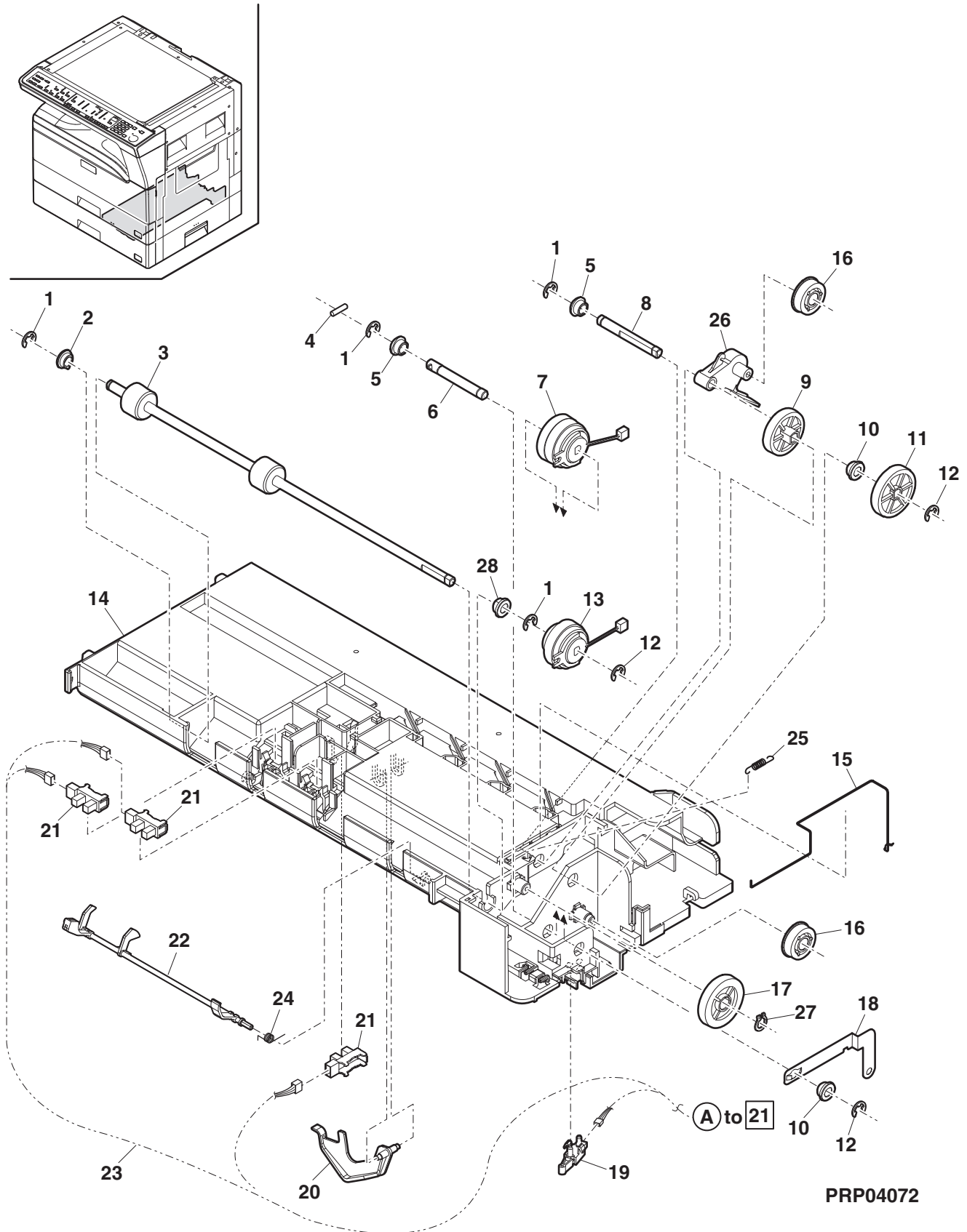
22 2nd トリ給紙ユニット (2nd tray paper feed unit)
 [AR-5623N/X230N/5620N/5623/5620/5620NM/X200/5623D/5623DA/5620D/X200D]

NO.	PARTS CODE	Inter-change	PRICE RANK		NEW MARK	PART RANK	DESCRIPTION	TR No.	Effective time
			Ex.	Ja.					
1	XRESP50-06000		AA	DD		C	E type ring(E5)		E リング
2	NBRGC0188FCZZ		AB	DD		C	PF bearing		PF 軸受
3	NR0LP0168QSZZ		AN	EQ		C	Transport roller		搬送ローラー
4	XPSSJ30-18000		AB	DD		C	Spring pin		スプリングピン
5	NBRGC0756FCZZ		AC	DJ		C	MG bearing DID		MG 軸受 DID
6	NSFTZ0123QSZZ		AF	DS		C	Paper feed shaft 2		給紙軸 2
7	PCLC-0035QSZ1		AZ	FQ		B	PF clutch 2		PF クラッチ 2
8	NSFTZ0122QSZZ		AE	DS		C	Paper feed shaft 1		給紙軸 1
9	NGERH0257QSZZ		AD	DJ		C	Gear(27T)		ギヤ
10	NBRGM0501FCZZ		AB	DJ		C	Bearing		軸受
11	NGERH0260QSZZ		AD	DD		C	Gear(30T)		ギヤ
12	XRESP40-06000		AA	DD		C	E type ring(E4)		E リング
13	PCLC-0036QSZ1		AZ	FQ		B	Vertical transport clutch		縦搬送クラッチ
14	LFRM-0106QSZZ		AX	FG		D	Paper feed frame		給紙フレーム
15	MSPRD0432QSZZ		AE	DJ		C	Paper feed earth spring		給紙アーススプリング
16	NGERH0259QSZZ		AD	DJ		C	Gear(20T)		ギヤ
17	NGERH0258QSZZ		AD	DD		C	Gear(31T)		ギヤ
18	LPLTM0538QSZZ		AD	DD		C	2nd joint earth plate		2nd 連結アース板
19	QSW-B0017QSZZ		AF	DS		B	Tray detect switch		トレイ検知スイッチ
20	MLEVP0046QSZZ		AD	DJ		C	CICS actuator		CICS アクチュエーター
21	VHPGP1A71A1-18		AG	DX		B	Photo sensor(GP1A71A1)		フォトセンサー
22	MLEVP0039QSZZ		AE	DJ		C	PPD1 actuator		PPD1 アクチュエーター
23	DHAi-0612QSP1		CG	UM		C	2nd cassette harness		2nd カセットハーネス
24	MSPRD0156QSZZ		AB	DJ		C	PPD1ACT return spring(PPD1ACT)		PPD1ACT 復帰スプリング
25	MSPRD0434QSZZ		AD	DJ		C	Joint arm spring		連結アームスプリング
26	MARMP0069QSZZ		AD	DJ		C	1st joint arm		1st 連結アーム
27	PRNGP0019FCZZ		AA	DD		C	V ring		V リング
28	NBRGM0042QSZZ		AD	DJ		C	Metal bearing D		メタル軸受 D
	(Unit)								
901	DUNT-0819RS12		BS	MW		E	2nd paper feed unit(Refer to Matrix)	[Include[21]]	2nd 給紙ユニット
	DUNT-0819US12	1	BU	NN	N	E	2nd paper feed unit(Refer to Matrix)	[Include[21]]	2nd 給紙ユニット

Matrix

No.901	2nd 給紙ユニット (2nd paper feed unit)											
PARTS CODE	AR-5623N	AR-X230N	AR-5620N	AR-5623	AR-5620	AR-5620NM	AR-X200	AR-5623D	AR-5620D	AR-X200D	AR-5623DA	
	ALL	ALL	ALL	ALL	ALL	ALL	ALL	ALL	ALL	ALL	Argentina	
DUNT-0819RS12	1st lot											
DUNT-0819US12	Apr/11	1st lot		1st lot								

22 2nd トイ給紙ユニット (2nd tray paper feed unit)
 [AR-5623N/X230N/5620N/5623/5620/5620NM/X200/5623D/5623DA/5620D/X200D]



PRP04072

23 梱包材 & 付属品 (Packing material & Accessories)

NO.	PARTS CODE	Inter-change	PRICE RANK		NEW MARK	PART RANK	DESCRIPTION	TR No.	Effective time
			Ex.	Ja.					
3	SPAKA0755QSZZ	-	AT	EZ	N	D	Top packing add R [Missing parts code][Japan] 天ト R		1st lot
5	SSAKZ0003QSZ1		AK	DX		D	Vinyl bag ホリ袋		
8	TCADZ0010QSZZ		AC	DJ		D	Unpacking caution card 開梱注意紙		
9	LX-BZ0100QSZZ		AD	DJ		C	Optical fixing screw 光学固定ビス		
12	CCLEZ0005RS51		AQ	EQ		D	Charger cleaner unit(Refer to Matrix) チャージャークリーナーユニット		
	CCLEZ0005US51	1	AE	DS		D	Charger cleaner unit(Refer to Matrix) チャージャークリーナーユニット		
13	SPAKA0736QSZZ		AE	DJ		D	Scanner reinforcement material スキャ補強材		
15	SPAKA0751QSZZ		AH	DX		D	TN packing sleeve [India,Singapore,Malaysia,Vietnam,Thailand,Russia,Taiwan] TD スリーブ		
16	SPAKA0476QSZZ		AY	FQ		D	DV packing sleeve [India,Singapore,Malaysia,Vietnam,Thailand,Russia,Taiwan] DV スリーブ		
18	SPAKA0756QSZZ	-	BC	GJ	N	D	Bottom case [Missing parts code][Japan] 底ケース		1st lot
22	CDSKA0291QS31		AK	DX		D	CD-ROM(Refer to Matrix) CD-ROM		
	CDSKA0292QS31		AK	DX		D	CD-ROM(Refer to Matrix) CD-ROM		
	CDSKA0295QS31		AS	EZ		D	CD-ROM(Refer to Matrix) CD-ROM		
	CDSKA0312QS31		AS	EZ		D	CD-ROM(Refer to Matrix) CD-ROM		
	CDSKA0293QS31		AS	EZ		D	CD-ROM(Refer to Matrix) CD-ROM		
	CDSKA0297QS31		AH	DX		D	CD-ROM(Refer to Matrix) CD-ROM		
	CDSKA0320QS31					D	CD-ROM(Refer to Matrix) CD-ROM		
23	TLABH0065QSZ2		AG	DX		D	Size display label [AB series(Except Japan)] サイズ表示ラベル		
	TLABH0069QSZ2		AG	DX		D	Size display label [Inch series] サイズ表示ラベル		
	TLABH0116QSZ1		AN	EG		D	Size display label [Japan] サイズ表示ラベル		
	TLABH0118QSZ1		AP	EQ		D	Size display label [Taiwan] サイズ表示ラベル		
24	SSAKA2341QCZZ		AA	DD		D	Vinyl bag(230×340) ホリ袋		
25	CPNLH0074QS02		AC	DD		D	Key sheet(Refer to Matrix) キーシート		
26	SSAKA2011KCZZ		AA	DD		D	Vinyl bag(60×100)(Refer to Matrix) ホリ袋		
28	TINSX2162USZZ	-	AF	DS	N	D	Start guide manual(Refer to Matrix)[Missing parts code] スタートガイド		
	TINSM2163USZZ	-	AF	EQ	N	D	Start guide manual(Refer to Matrix)[Missing parts code] スタートガイド		
	TINSM2163USZ1	3	BA	FX	N	D	Start guide manual(Refer to Matrix) [Specification change] スタートガイド		
	TINSX2166USZZ		AW	FG		D	Start guide manual(Refer to Matrix) スタートガイド		
	TINSM2167USZZ		BA	FX		D	Start guide manual(Refer to Matrix) スタートガイド		
	TINSX2201USZZ		AT	EZ		D	Start guide manual(Refer to Matrix) スタートガイド		
29	TINSJ2168USZZ	-	AN	EG	N	D	Start guide manual(Refer to Matrix)[Missing parts code] スタートガイド		
	UDISM0006USZZ	-	AS	EZ		D	Operation manual(Refer to Matrix) [Missing parts code] 取扱説明書		
	UDISM0006QSZZ	-	AK	DX		D	Operation manual(Refer to Matrix) [Missing parts code] 取扱説明書		
	UDISM0007USZZ	-	AS	EZ		D	Operation manual(Refer to Matrix) [Missing parts code] 取扱説明書		
	UDISM0006USZ1		AS	EZ		D	Operation manual(Refer to Matrix) 取扱説明書		
	UDISM0007USZ1		AS	EZ		D	Operation manual(Refer to Matrix) 取扱説明書		
	UDISM0018USZZ		AS	EZ		D	Operation manual(Refer to Matrix) 取扱説明書		
36	TLABH5200FCZZ		AB	DJ		D	Plug caution label [Japan] プラグ注意ラベル		
	LBND00075FCZZ		AB	DJ		D	AC cord band(Refer to Matrix) ACコードタイ		
37	UBNDA0001FCZZ	1	AA	DD		D	AC cord band(Refer to Matrix) ACコードタイ		
38	SSAKA3001CCZZ		AA	DD		D	Vinyl bag(140×260) [100V series] ホリ袋		
	SSAKA5003CCZZ		AA	DD		D	Vinyl bag(140×260) [200V series] ホリ袋		
39	TGAN-A181WRRZ		AN	DJ		D	Warranty card [Thailand] 保証書カード		
	TGANE1001QCZB		AC	DJ		D	SCA warranty [Australia,New Zealand] SCA 保証書		
	TCADZ0021QSZZ		AD	DJ		D	Kit agreement [Japan] キット契約書		
40	TCADZ0049QSZZ		AH	DX		D	Installation card [Europe] 設置報告書		
	TCADS1693FCZZ		AA	DS		D	Installation card [Japan] 設置報告書		
41	TCADZ0590QSZZ		AQ	EQ		D	GOST card(Refer to Matrix) GOST 単ビラ		
	TCADZ0602QSZZ		AQ	EQ		D	GOST card(Refer to Matrix) GOST 単ビラ		
42	CDSKA0299QS31		AK	DX		D	CD-ROM(Sharpdesk) [AR-5620NM] CD-ROM		
43	TCADZ0598QSZZ		AE	DJ		D	Install guide [AR-5620NM] インストールガイド		
44	TLABZ0912QSZZ		AC	DD		D	USB label [AR-5620NM] USB ラベル		

23 梱包材 & 付属品 (Packing material & Accessories)

Matrix

No.12	チャージャークリーナユニット (Charger cleaner unit)												
PARTS CODE	AR-5623N AR-X230N		AR-5620N		AR-5618N	AR-5620S AR-5618S AR-X180S	AR-5623 AR-5620 AR-5620NM AR-X200	AR-5618 AR-X180	AR-5623D AR-5620D AR-5618D AR-X200D	AR-5623DA	AR-5620SL AR-5620SLX	AR-181G	
	Australia, New Zealand	Other	Malaysia, Vietnam, Australia, New Zealand	Other	ALL	ALL	ALL	Hong Kong	Other	ALL	Argentina	ALL	Japan
CCL EZ 0 0 0 5 RS 5 1	1st lot	1st lot	1st lot	1st lot	1st lot	1st lot		1st lot					
CCL EZ 0 0 0 5 US 5 1		Apr/11		Apr/11	Apr/11	Apr/11	1st lot		1st lot	1st lot	1st lot	1st lot	1st lot

No.22-1/2	CD-ROM(CD-ROM)														
PARTS CODE	AR-5623N AR-X230N		AR-5620N				AR-5618N			AR-5620S AR-5618S AR-X180S					
	Germany, Switzerland, France, Spain, Italy	India, Singapore, Malaysia, Vietnam	Australia, New Zealand	Other	Germany, Switzerland, France, Spain, Italy	India	Australia, New Zealand, Malaysia, Vietnam	Other	Germany, Switzerland, France, Spain, Italy	India, Singapore, Malaysia, Vietnam	Other	India, Germany, Switzerland, France	Lebanon, Nigeria, Algeria, Egypt, Jordan, Tunisia, Morocco	Iran	Other
CDSKA 0 2 9 1 QS 3 1												1st lot	1st lot		
CDSKA 0 2 9 2 QS 3 1	1st lot	1st lot	1st lot		1st lot	1st lot	1st lot		1st lot	1st lot					

No.22-2/2	CD-ROM(CD-ROM)												
PARTS CODE	AR-5623 AR-5620 AR-X200 AR-5618 AR-X180		AR-5620NM	AR-5623D AR-5620D AR-5618D AR-X200D	AR-5623DA	AR-5620SL AR-5620SLX	AR-181G						
	Iran	Taiwan	Other	Algeria	ALL	Argentina	ALL	Japan					
CDSKA 0 2 9 5 QS 3 1			1st lot		1st lot	1st lot							
CDSKA 0 3 1 2 QS 3 1						1st lot							
CDSKA 0 2 9 3 QS 3 1							1st lot						
CDSKA 0 2 9 7 QS 3 1			1st lot										
CDSKA 0 3 2 0 QS 3 1	1st lot												

23 梱包材 & 付属品 (Packing material & Accessories)

Matrix

No.25		キット (Key sheet)																														
PARTS CODE	AR-5623N AR-5618N	India, Malaysia, Vietnam, Singapore	AR-5620N	AR-5623 AR-5620	AR-5618	AR-5623D	AR-5620D AR-5618D	AR-5623DA	AR-5620SL	India, Malaysia, Vietnam, Singapore	India, Malaysia, Vietnam	Philippines	India, Malaysia, Vietnam, Singapore	India, Malaysia, Vietnam, Singapore	Philippines	Mexico, LAG2	Philippines	India, Vietnam, Singapore	India, Vietnam, Singapore	Argentina	India, Vietnam, Singapore											
																						1st lot	1st lot	1st lot	1st lot	1st lot	1st lot	1st lot	1st lot	1st lot	1st lot	1st lot
																						CPNLH0074QS02	1st lot	1st lot	1st lot	1st lot	1st lot	1st lot	1st lot	1st lot	1st lot	1st lot

No.26		ホリ袋 (Vinyl bag)																														
PARTS CODE	AR-5623N AR-5618N	India, Malaysia, Vietnam, Singapore	AR-5620N	AR-5623 AR-5620	AR-5618	AR-5623D	AR-5620D AR-5618D	AR-5623DA	AR-5620SL	India, Malaysia, Vietnam, Singapore	India, Malaysia, Vietnam	Philippines	India, Malaysia, Vietnam, Singapore	India, Malaysia, Vietnam, Singapore	Philippines	Mexico, LAG2	Philippines	India, Vietnam, Singapore	India, Vietnam, Singapore	Argentina	India, Vietnam, Singapore											
																						1st lot	1st lot	1st lot	1st lot	1st lot	1st lot	1st lot	1st lot	1st lot	1st lot	1st lot
																						SSAKA2011KCZZ	1st lot	1st lot	1st lot	1st lot	1st lot	1st lot	1st lot	1st lot	1st lot	1st lot

No.28-1/2		スタートガイド (Start guide manual)																															
PARTS CODE	AR-5623N AR-5618N	Europe	AR-5620N	AR-5620S AR-5618S	AR-5623 AR-5620 AR-5620NM AR-5618	AR-5623D AR-5620D AR-5618D	AR-5623DA	AR-5620SL	Europe	Russia	Other	Europe	Russia	Other	Europe	Other	Europe, Russia	Hong Kong	Other	Europe, Russia	Other	Argentina											
																							1st lot	1st lot	1st lot	1st lot	1st lot	1st lot	1st lot	1st lot	1st lot	1st lot	1st lot
																							Apr/11	1st lot	Apr/11	Apr/11	1st lot	1st lot	1st lot	1st lot	1st lot	1st lot	1st lot
	T i N S X 2 1 6 2 U S Z Z		1st lot		1st lot		1st lot																										
	T i N S M 2 1 6 3 U S Z Z	1st lot		1st lot		1st lot																											
	T i N S M 2 1 6 3 U S Z 1	Apr/11	1st lot	Apr/11	Apr/11																												
	T i N S X 2 1 6 6 U S Z Z																					1st lot	1st lot	1st lot									
	T i N S M 2 1 6 7 U S Z Z																					1st lot											

23 梱包材 & 付属品 (Packing material & Accessories)

Matrix

No.28-2/2		スタートガイド (Start guide manual)											
PARTS CODE	AR-5620SL AR-5620SLX	AR-181G											
	ALL	Japan											
T i N S X 2 2 0 1 U S Z Z	1st lot												
UD i S J 2 1 6 8 U S Z Z	1st lot												

No.29-1/2		取扱説明書 (Operation manual)											
PARTS CODE	AR-5623N				AR-5620N				AR-5618N				
	India, Singapore, Malaysia, Vietnam	Australia, New Zealand	Europe, Russia	Other	India, Malaysia, Vietnam	Australia, New Zealand	Europe	Russia	Other	India, Singapore, Malaysia, Vietnam	Europe, Russia	Other	
UD i S M 0 0 0 6 U S Z Z				1st lot					1st lot				1st lot
UD i S M 0 0 0 6 Q S Z Z	1st lot	1st lot			1st lot	1st lot				1st lot			1st lot
UD i S M 0 0 0 7 U S Z Z			1st lot				1st lot					1st lot	

No.29-2/2		取扱説明書 (Operation manual)											
PARTS CODE	AR-5620S AR-5618S				AR-5623 AR-5620 AR-5620NM AR-5618				AR-5623D AR-5620D AR-5618D		AR-5623DA	AR-5620SL AR-5620SLX	AR-181G
	India	Lebanon, Nigeria, Algeria, Egypt, Jordan, Tunisia, Morocco	Europe	Other	Europe, Russia	Hong Kong	Other	Europe, Russia	Other	Argentina	ALL	Japan	
UD i S M 0 0 0 6 U S Z Z				1st lot									
UD i S M 0 0 0 6 Q S Z Z	1st lot	1st lot											
UD i S M 0 0 0 7 U S Z Z			1st lot										
UD i S M 0 0 0 6 U S Z Z 1							1st lot		1st lot	1st lot	1st lot		
UD i S M 0 0 0 7 U S Z Z 1					1st lot			1st lot					
UD i S M 0 0 1 8 U S Z Z												1st lot	
UD i S J 0 0 0 8 U S Z Z													1st lot

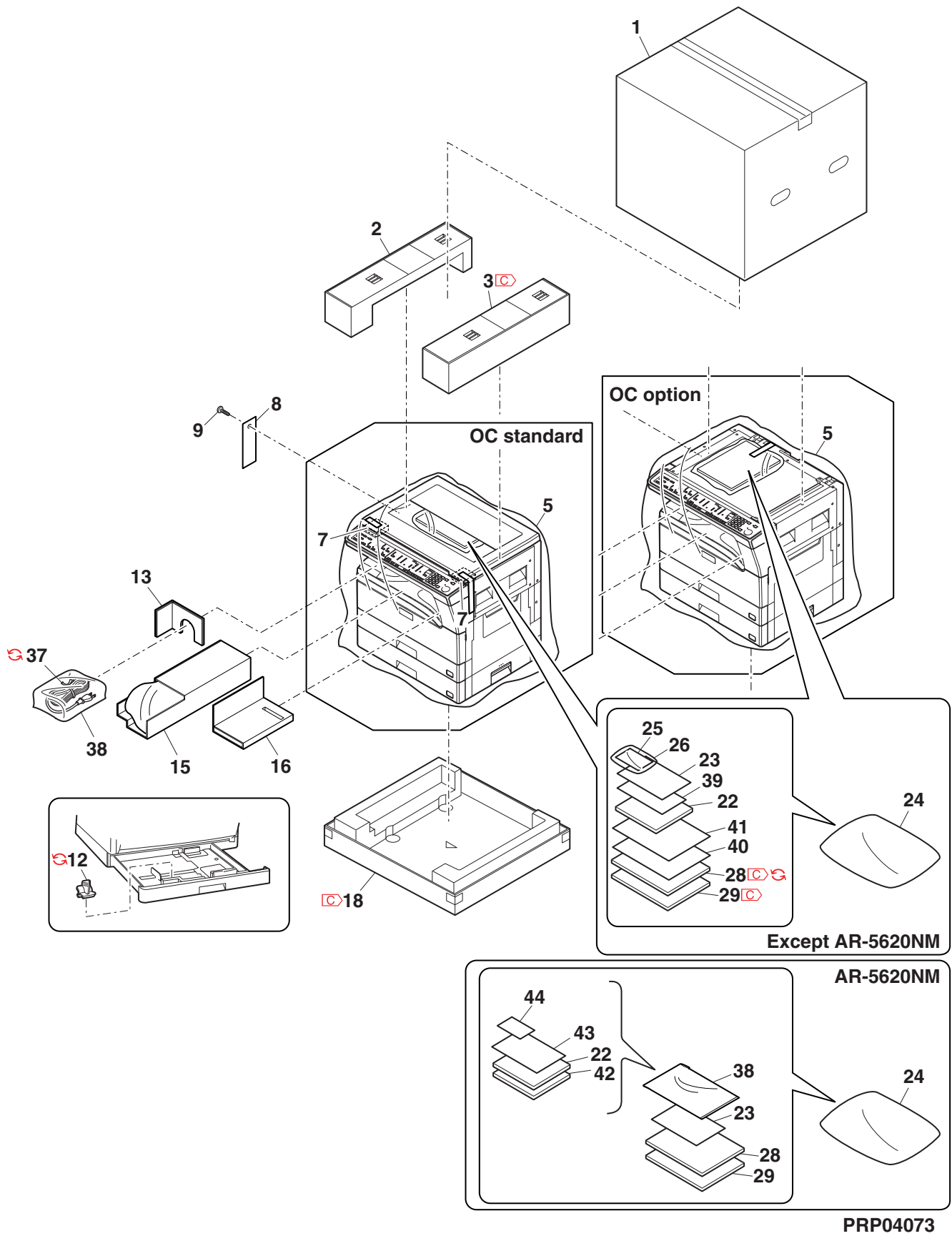
23 梱包材 & 付属品 (Packing material & Accessories)

Matrix

No.37		AC コード 帯 (AC cord band)															
PARTS CODE	India, Singapore, Malaysia, Vietnam	200V series															
		Argentina	Other														
UBNDA0001FCZZ	1st lot	1st lot	Oct/11														
LBND00075FCZZ			1st lot														

No.41		GOST 準比 ー (GOST card)															
PARTS CODE	AR-5623N	AR-5620N	AR-5618N	AR-5623	AR-5620	AR-5618	AR-5623D	AR-5620D	AR-5618D								
	Russia	Russia	Russia														
TCADZ0590QSZZ	1st lot																
TCADZ0602QSZZ			1st lot	1st lot													

23 梱包材 & 付属品 (Packing material & Accessories)



SHARP

COPYRIGHT © 2011 BY SHARP CORPORATION

All rights reserved.

Printed in Japan.

No part of this publication may be reproduced,
stored in a retrieval system, or transmitted.

In any form or by any means,
electronic, mechanical, photocopying, recording, or otherwise,
without prior written permission of the publisher.

SHARP CORPORATION
Document Solutions Group
CS PROMOTION CENTER
Yamatokoriyama, Nara 639-1186, Japan
2011 December Printed in Japan ⓘ