

CÓPIA NÃO CONTROLADA



RICOH UNIVERSITY

Learning ♦ Knowledge ♦ Performance



B156/B220 **PARTS CATALOG**

002351MIU

Gestetner **LANIER** **RICOH** **SAVIN**

CÓPIA NÃO CONTROLADA

CÓPIA NÃO CONTROLADA

CÓPIA NÃO CONTROLADA

CÓPIA NÃO CONTROLADA



B156/B220
PARTS CATALOG



CÓPIA NÃO CONTROLADA

CÓPIA NÃO CONTROLADA

CÓPIA NÃO CONTROLADA

CÓPIA NÃO CONTROLADA



RICOH UNIVERSITY
Learning ♦ Knowledge ♦ Performance

B156/B220 PARTS CATALOG

002351MIU

Gestetner® **LANIER**  **RICOH**® **SAVIN**®

CÓPIA NÃO CONTROLADA

CÓPIA NÃO CONTROLADA

CÓPIA NÃO CONTROLADA

It is the reader's responsibility when discussing the information contained within this document to maintain a level of confidentiality that is in the best interest of Ricoh Corporation and its member companies.

**NO PART OF THIS DOCUMENT MAY BE REPRODUCED IN ANY
FASHION AND DISTRIBUTED WITHOUT THE PRIOR
PERMISSION OF RICOH CORPORATION.**

All product names, domain names or product illustrations, including desktop images, used in this document are trademarks, registered trademarks or the property of their respective companies.

They are used throughout this book in an informational or editorial fashion only and for the benefit of such companies. No such use, or the use of any trade name, or web site is intended to convey endorsement or other affiliation with Ricoh products.

© 2005 RICOH Corporation. All rights reserved.

CÓPIA NÃO CONTROLADA

CÓPIA NÃO CONTROLADA

LEGEND

PRODUCT CODE	COMPANY			
	GESTETNER	LANIER	RICOH	SAVIN
B156	DSc424	LD124c	Aficio 3224C	C2410
B220	DSc432	LD132c	Aficio 3232C	C3210e
B408	1000-Sheet Finisher SR790			
B456	Paper Tray Unit PS510			
B457	Paper Tray Unit PS520			
B458	500-Sheet Finisher SR830			
B480	1 Bin Tray Unit PT290			
B481	Interchange Unit Type 1232			
B482	Bridge Unit Type 1232			
B484	Platen Cover Type 120			
B488	Adjustment Table Type 1232			
B490	Bypass Tray Unit Type 1232			
B509	Duplex Unit AD430			
B510	Internal Shift Sort Tray Type 1232			
B750	Fax Option Type 3232			
B751	G3 Interface Unit Type 3232			
B810	Auto Reverse Document Feeder DF83			

DOCUMENTATION HISTORY

REV. NO.	DATE	COMMENTS
*	05/2005	Original Printing

B156/B220 PARTS CATALOG

TABLE OF CONTENTS

B156/B220 PARTS LOCATION AND LIST

LOCATION OF UNIT.....	1
1.EXTERIOR 1 (B156/B220).....	6
2.EXTERIOR 2 (B156/B220).....	8
3.OPERATION PANEL (B156/B220).....	10
4.SCANNER UNIT 1 (B156/B220).....	12
5.SCANNER UNIT 2 (B156/B220).....	14
6.LASER UNIT (B156/B220).....	16
7.PAPER TRAY 1 (B156/B220).....	18
8.PAPER TRAY 2 (B156/B220).....	20
9.VERTICAL TRANSFER 1 (B156/B220).....	22
10.VERTICAL TRANSFER 2 (B156/B220).....	24
11.VERTICAL TRANSFER 3 (B156/B220).....	26
12.REGISTRATION (B156/B220).....	28
13.PCU UNIT (B156/B220).....	30
14.DEVELOPMENT UNIT (B156/B220).....	32
15.FUSING UNIT 1 (B156/B220).....	34
16.FUSING UNIT 2 (B156/B220).....	36
17.FUSING UNIT 3 (B156/B220).....	38
18.PAPER EXIT (B156/B220).....	40
19.ELECTRICAL SECTION 1 (B156/B220).....	42
20.ELECTRICAL SECTION 2 (B156/B220).....	44

21.ELECTRICAL SECTION 3 (B156/B220).....	46
22.ELECTRICAL SECTION 4 (B156/B220).....	48
23.ELECTRICAL SECTION 5 (B156/B220).....	50
24.DRIVE SECTION 1 (B156/B220).....	52
25.DRIVE SECTION 2 (B156/B220).....	54
26.DRIVE SECTION 3 (B156/B220).....	56
27.FRAME SECTION (B156/B220).....	58
28.BICU BOARD (B156/B220).....	60
29.IOB BOARD (B156/B220).....	72
30.CONTROL BOARD (B156/B220).....	80
31.DECAL AND DOCUMENTS (B156/B220).....	98
32.SPECIAL TOOLS (B156/B220).....	100

B156/B220 PARTS INDEX

PARTS INDEX.....	2
-------------------------	----------

1000-SHEET FINISHER SR790 B408 PARTS LOCATION AND LIST

1.EXTERIOR (B408).....	2
2.TRANSPORT SECTION (B408).....	4
3.PAPER EXIT SECTION 1 (B408).....	6
4.PAPER EXIT SECTION 2 (B408).....	8

CÓPIA NÃO CONTROLADA

5.VERTICAL TRANSPORT (B408)	10
6.STAPLE SECTION 1 (B408)	12
7.STAPLE SECTION 2 (B408)	14
8.STAPLE SECTION 3 (B408)	16
9.SHIFT TRAY DRIVE (B408)	18
10.DRIVE SECTION (B408)	20
11.ELECTRICAL SECTION (B408)	22
12.DECALS AND DOCUMENTS (B408)	24

1000-SHEET FINISHER SR790 B408 PARTS INDEX PARTS INDEX..... 2

PAPER TRAY UNIT PS510 B456 PARTS LOCATION AND LIST

1.EXTERIOR (B456)	2
2.PAPER TRAY (B456)	4
3.PAPER RESISTRATION (B456)	6
4.DRIVE SECTION (B456)	8
5.ELECTRICAL SECTION (B456)	10
6.DECALS AND DOCUMENTS (B456)	12

PAPER TRAY UNIT PS510 B456 PARTS INDEX PARTS INDEX..... 2

LARGE CAPACITY TRAY PS520 B457 PARTS LOCATION AND LIST

1.EXTERIOR (B457)	2
2.PAPER TRAY 1 (B457)	4
3.PAPER TRAY 2 (B457)	6

4.PAPER RESISTRATION (B457)	8
5.DRIVE SECTION (B457)	10
6.ELECTRICAL SECTION (B457)	12
7.DECALS AND DOCUMENTS (B457)	14

LARGE CAPACITY TRAY PS520 B457 PARTS INDEX PARTS INDEX..... 2

500-SHEET FINISHER SR830 B458 PARTS LOCATION AND LIST

1.EXTERIOR (B458)	2
2.TRAY DRIVE (B458)	4
3.DRIVE SECTION (B458)	6
4.PAPER EXIT (B458)	8
5.VERTICAL TRANSFER (B458)	10
6.ELECTRICAL/FRAME (B458)	12

500-SHEET FINISHER SR830 B458 PARTS INDEX PARTS INDEX..... 2

1-BIN TRAY UNIT PT290 B480 PARTS LOCATION AND LIST

1.Internal 1Bin Tray (B480)	2
-----------------------------------	---

1-BIN TRAY UNIT PT290 B480 PARTS INDEX PARTS INDEX..... 2

CÓPIA NÃO CONTROLADA

INTERCHANGE UNIT TYPE 1232 B481 PARTS LOCATION AND LIST

- 1.INTERCHANGE UNIT 1 (B481)..... 2
- 2.INTERCHANGE UNIT 2 (B481)..... 4

INTERCHANGE UNIT TYPE 1232 B481 PARTS INDEX PARTS INDEX.....2

BRIDGE UNIT TYPE 1232 B482 PARTS LOCATION AND LIST

- 1.BRIDGE UNIT 1 (B482)..... 2
- 2.BRIDGE UNIT 2 (B482)..... 4

BRIDGE UNIT TYPE 1232 B482 PARTS INDEX PARTS INDEX.....2

PLATEN COVER TYPE 120 B484 PARTS LOCATION AND LIST

- 1.PLATEN COVER (B484) 2

PLATEN COVER TYPE 120 B484 PARTS INDEX PARTS INDEX.....2

ADJUSTMENT TABLE TYPE 1232 B488 PARTS LOCATION AND LIST

- 1.ADJUSTMENT TABLE (B488)..... 2

ADJUSTMENT TABLE TYPE 1232 B488 PARTS INDEX PARTS INDEX.....2

BYPASS TRAY UNIT TYPE 1232 B490 PARTS LOCATION AND LIST

- 1.BY-PASS TRAY 1 (B490) 2
- 2.BY-PASS TRAY 2 (B490) 4

BYPASS TRAY UNIT TYPE 1232 B490 PARTS INDEX PARTS INDEX2

DUPLEX UNIT AD430 B509 PARTS LOCATION AND LIST

- 1.DUPLEX UNIT 1 (B509)..... 2
- 2.DUPLEX UNIT 2 (B509)..... 4
- 3.DUPLEX UNIT 3 (B509)..... 6

DUPLEX UNIT AD430 B509 PARTS INDEX PARTS INDEX2

INTERNAL SHIFT SORT TRAY TYPE 1232 B510 PARTS LOCATION AND LIST

- 1.SHIFT SORT TRAY (B510) 2

INTERNAL SHIFT SORT TRAY TYPE 1232 B510 PARTS INDEX PARTS INDEX2

FAX OPTION TYPE 3232 B750 PARTS LOCATION AND LIST

- 1.Fax Option Type 3232 (B750)..... 2

FAX OPTION TYPE 3232 B750 PARTS INDEX

PARTS INDEX.....2

G3 INTERFACE UNIT TYPE 3232 B751 PARTS LOCATION AND LIST

1.G3 Interface Unit Type 3232 (B751)..... 2

G3 INTERFACE UNIT TYPE 3232 B751 PARTS INDEX

PARTS INDEX.....2

AUTO REVERSE DOCUMENT FEEDER DF83 B810 PARTS LOCATION AND LIST

1.ARDF 1 (B810)..... 2
2.ARDF 2 (B810)..... 4
3.ARDF 3 (B810)..... 6
4.ARDF 4 (B810)..... 8
5.ARDF 5 (B810)..... 10
6.ARDF 6 (B810)..... 12
7.ARDF 7 (B810)..... 14
8.Decals And Documents (B810)..... 16

AUTO REVERSE DOCUMENT FEEDER DF83 B810 PARTS INDEX

PARTS INDEX.....2

CÓPIA NÃO CONTROLADA

B156/B220

PARTS LOCATION AND LIST

CÓPIA NÃO CONTROLADA

CÓPIA NÃO CONTROLADA

CÓPIA NÃO CONTROLADA

CÓPIA NÃO CONTROLADA

This section instructs you as to the numbers and names of parts on this machine.

CÓPIA NÃO CONTROLADA

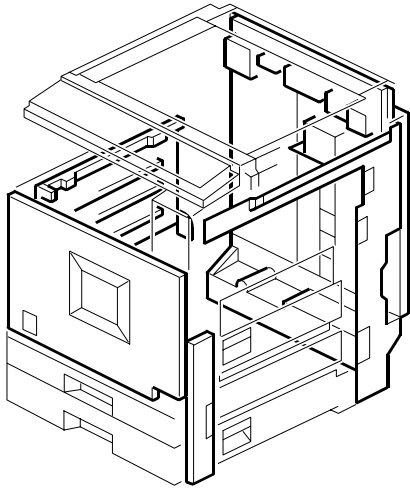
CÓPIA NÃO CONTROLADA

CÓPIA NÃO CONTROLADA

LOCATIONS OF UNITS

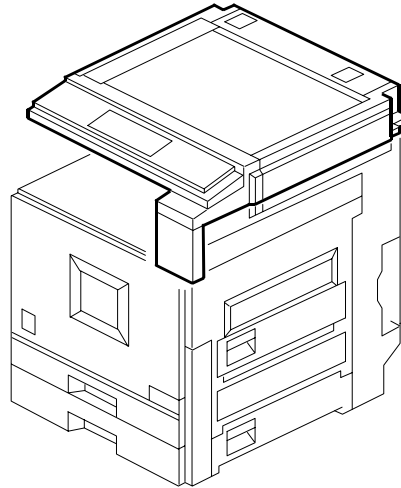
CÓPIA NÃO CONTROLADA

1. EXTERIOR 1 (B156/B220)



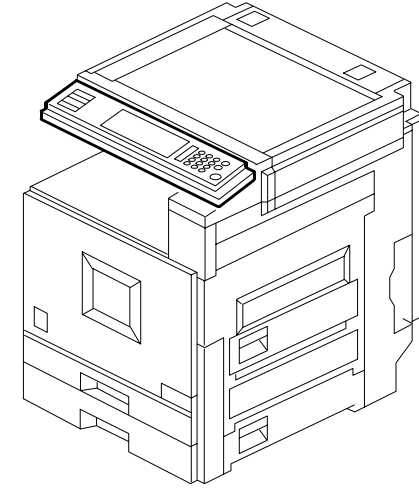
See Page 9

2. EXTERIOR 2 (B156/B220)



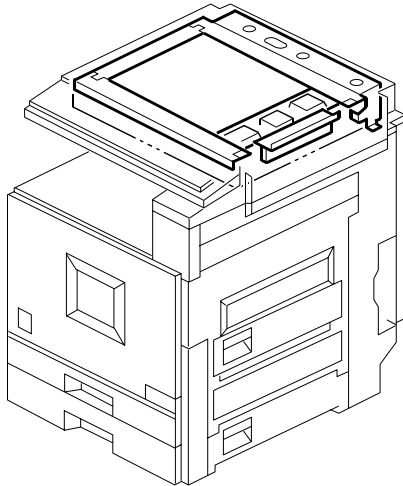
See Page 11

3. OPERATION PANEL (B156/B220)



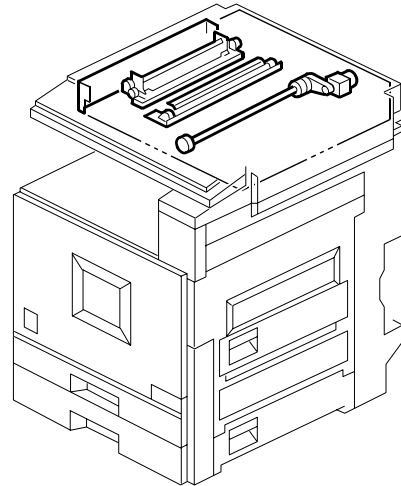
See Page 13

4. SCANNER UNIT 1 (B156/B220)



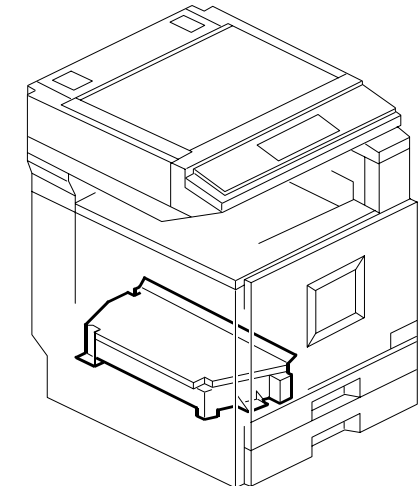
See Page 15

5. SCANNER UNIT 2 (B156/B220)



See Page 17

6. LASER UNIT (B156/B220)



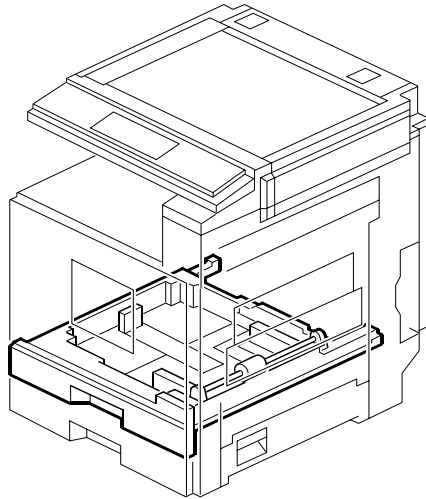
See Page 19

CÓPIA NÃO CONTROLADA

LOCATIONS OF UNITS

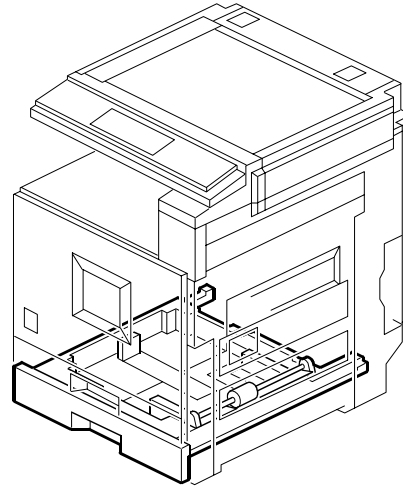
CÓPIA NÃO CONTROLADA

7. PAPER TRAY 1 (B156/B220)



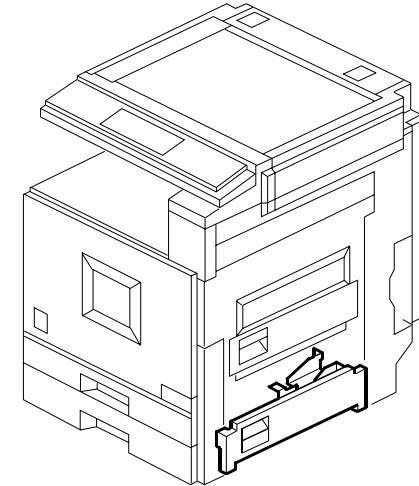
See Page 21

8. PAPER TRAY 2 (B156/B220)



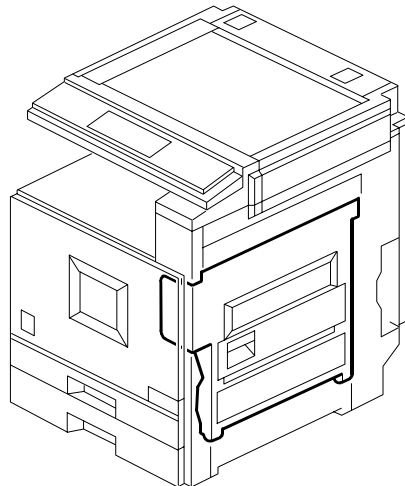
See Page 23

9. VERTICAL TRANSFER 1 (B156/B220)



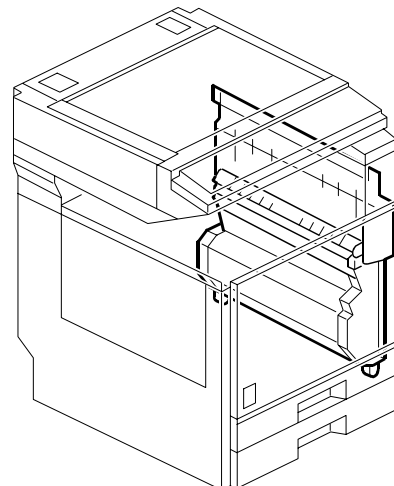
See Page 25

10. VERTICAL TRANSFER 2 (B156/B220)



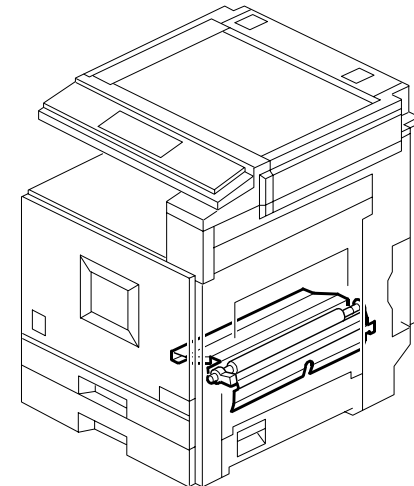
See Page 27

11. VERTICAL TRANSFER 3 (B156/B220)



See Page 29

12. REGISTRATION (B156/B220)



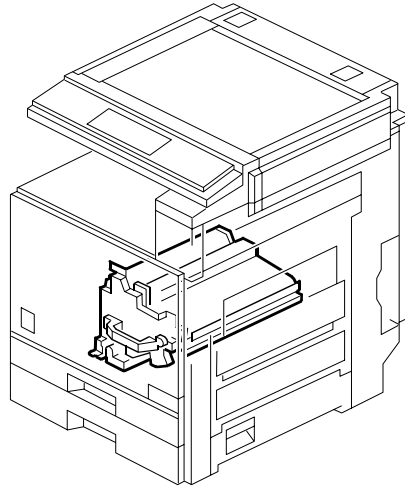
See Page 31

CÓPIA NÃO CONTROLADA

LOCATIONS OF UNITS

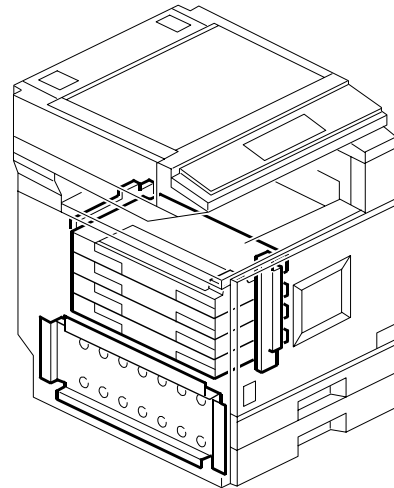
CÓPIA NÃO CONTROLADA

13. PCU UNIT (B156/B220)



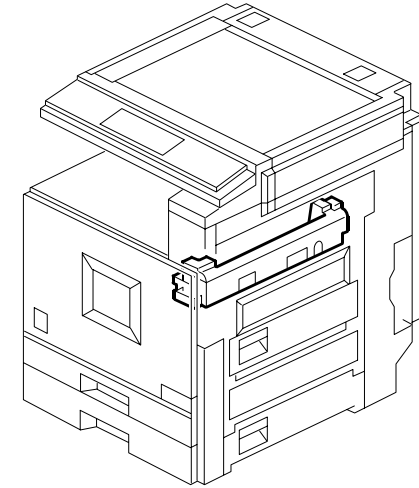
See Page 33

14. DEVELOPMENT UNIT (B156/B220)



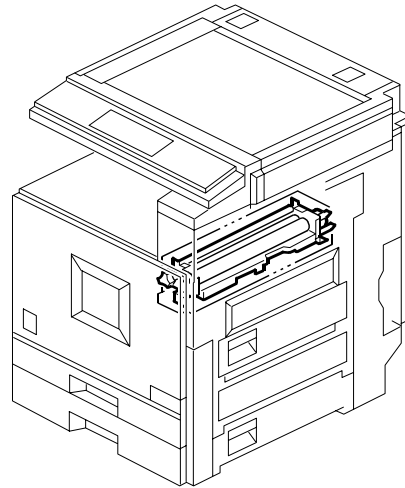
See Page 35

15. FUSING UNIT 1 (B156/B220)



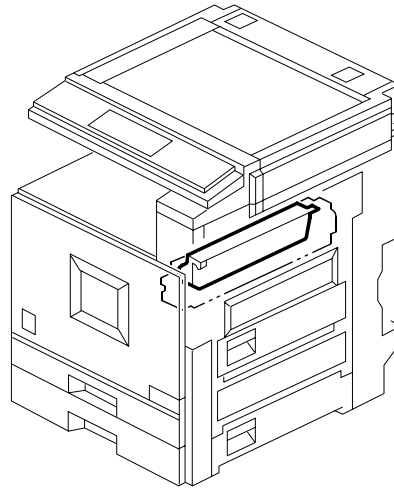
See Page 37

16. FUSING UNIT 2 (B156/B220)



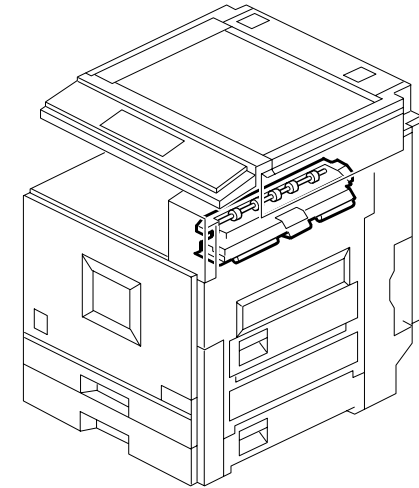
See Page 39

17. FUSING UNIT 3 (B156/B220)



See Page 41

18. PAPER EXIT (B156/B220)



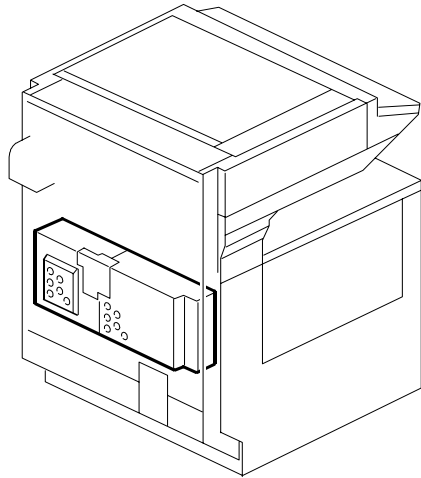
See Page 43

CÓPIA NÃO CONTROLADA

LOCATIONS OF UNITS

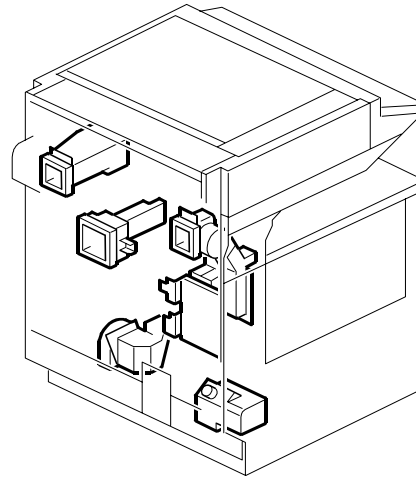
CÓPIA NÃO CONTROLADA

19. ELECTRICAL SECTION 1 (B156/B220)



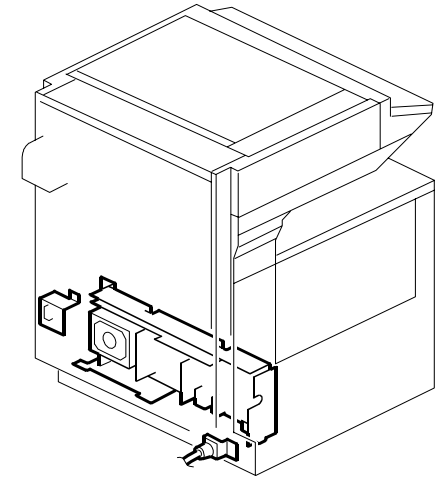
See Page 45

20. ELECTRICAL SECTION 2 (B156/B220)



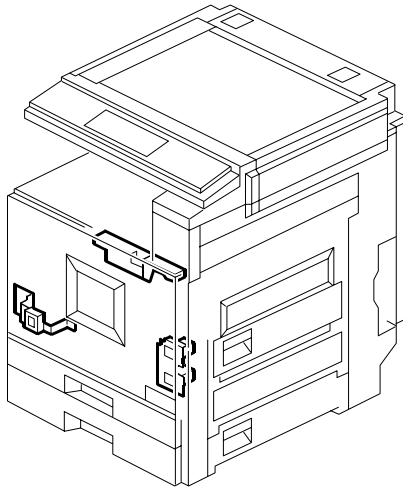
See Page 47

21. ELECTRICAL SECTION 3 (B156/B220)



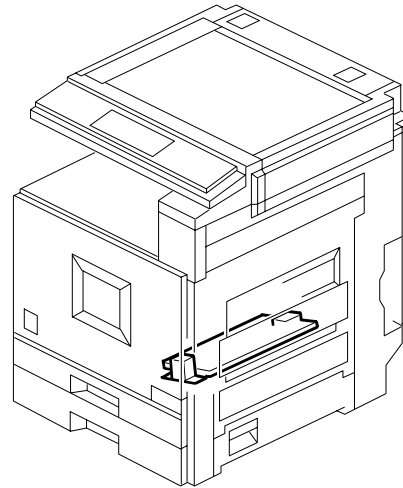
See Page 49

22. ELECTRICAL SECTION 4 (B156/B220)



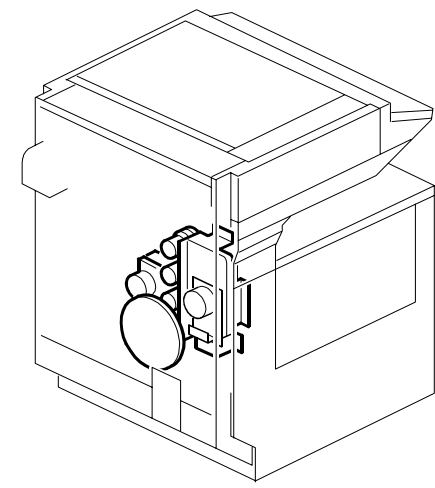
See Page 51

23. ELECTRICAL SECTION 5 (B156/B220)



See Page 53

24. DRIVE SECTION 1 (B156/B220)



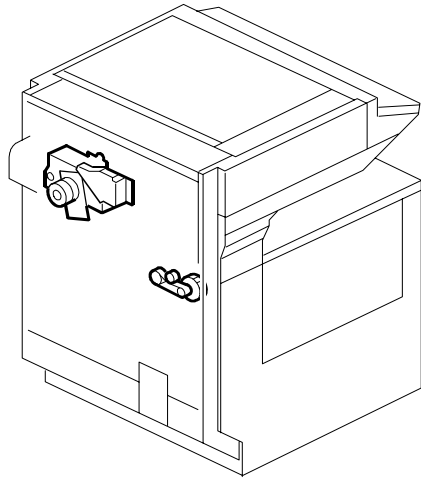
See Page 55

CÓPIA NÃO CONTROLADA

LOCATIONS OF UNITS

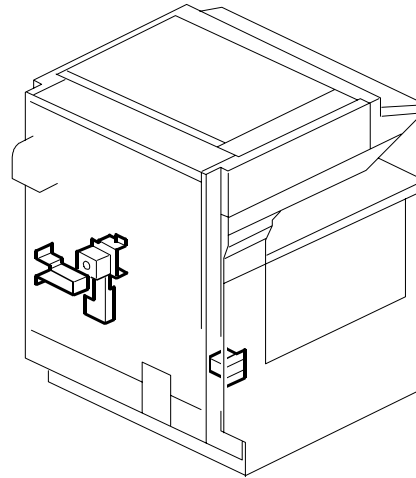
CÓPIA NÃO CONTROLADA

25. DRIVE SECTION 2 (B156/B220)



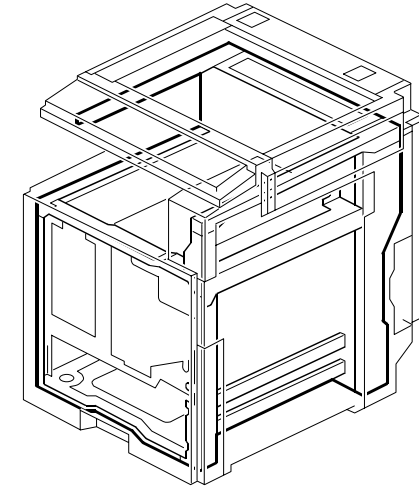
See Page 57

26. DRIVE SECTION 3 (B156/B220)



See Page 59

27. FRAME SECTION (B156/B220)

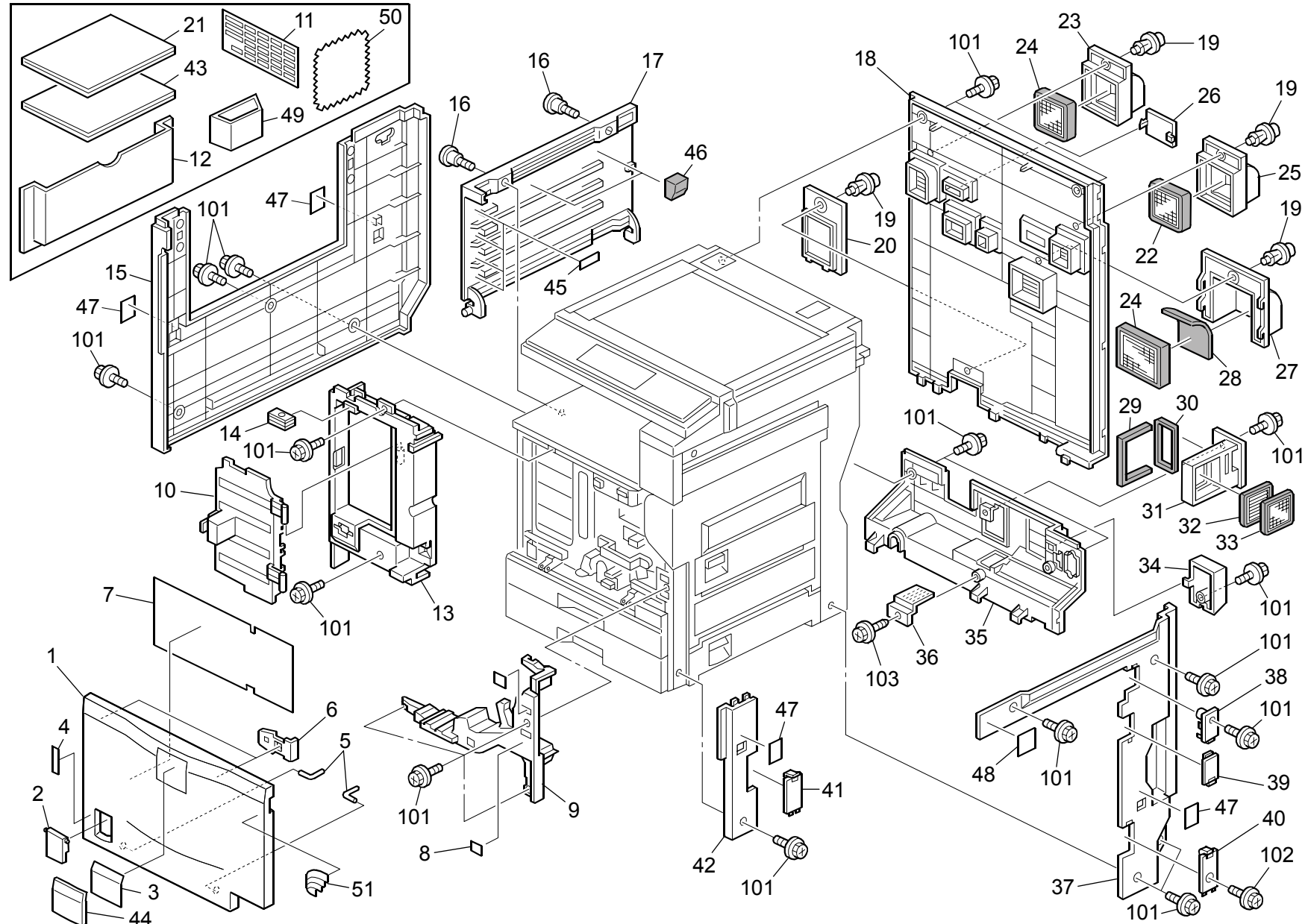


See Page 61

CÓPIA NÃO CONTROLADA

1.EXTERIOR 1 (B156/B220)

CÓPIA NÃO CONTROLADA



CÓPIA NÃO CONTROLADA

1.EXTERIOR 1 (B156/B220)

CÓPIA NÃO CONTROLADA

Index No.	Part No.	Description	Q'ty Per Assembly
1	B156 1259	Door:Front (NA/Asia)	1
1	B154 1250	Door:Front (EU)	1
2	B051 1360	Cover - Main Switch	1
3	B156 7520	Model Name Plate: Ricoh (B156)	1
3	B156 7521	Model Name Plate: Savin (B156)	1
3	B156 7522	Model Name Plate: GES (B156)	1
3	B156 7523	Model Name Plate: LAN (B156)	1
3	B156 7524	Model Name Plate: INF (B156)	1
3	B156 7525	Model Name Plate: NRG:NSA (B156)(EU)	1
3	B156 7526	Model Name Plate: NRG:REX (B156)(EU)	1
3	B156 7527	Model Name Plate: NRG:GES (B156)(EU)	1
3	B220 7520	Model Name Plate: Ricoh (B220)	1
3	B220 7521	Model Name Plate: Savin (B220)	1
3	B220 7522	Model Name Plate: GES (B220)	1
3	B220 7523	Model Name Plate: LAN (B220)	1
3	B220 7524	Model Name Plate: INF (B220)	1
3	B220 7525	Model Name Plate: NRG:NAS (B220)(EU)	1
3	B220 7526	Model Name Plate: NRG:REX (B220)(EU)	1
3	B220 7527	Model Name Plate: NRG:GES (B220)(EU)	1
4	G070 9531	Decal - Power Source	1
5	A166 1363	Hinge Pin	2
6	G070 1253	Magnet Catch - Front Cover	2
7	B220 1394	Sheet:Operate:T-C1:EXP	1
8	A259 1522	Decal - Inner Cover	1
9	B051 1371	Inner Right Lower Cover	1
10	G070 1375	Development Inner Cover	1
11	GA00 3014	Decal - Paper Tray	1
12	B154 8521	Holder:Operating Instructions	1
13	G070 1370	Left Inner Cover	1
14	AG07 0514	Magnet Catch:Ass'y	1
15	B051 1280	Left Cover (NA/Asia)	1
15	B156 1280	Cover:Left (EU)	1
16	C105 2352	Stepped Screw - M6x1.7	2
17	G070 1290	Development Unit Cover (NA/Asia)	1
17	B156 1390	Cover:Exterior:Development Unit (EU)	1

Index No.	Part No.	Description	Q'ty Per Assembly
18	B154 1310	Cover:Rear (NA/Asia)	1
18	B156 1310	Cover:Rear (EU)	1
19	B039 1364	Rivet - M7	4
20	B154 1322	Cover:Oil Tank (NA/Asia)	1
20	B156 1322	Cover:Oil Tank (EU)	1
21	B156 7505	Operating Instructions:System:RIC:NA:English	1
21	B156 7540	Operating Instructions:System:RIC:AA:English	1
22	AA01 2125	Filter:Exhaust:Scanner	1
23	B051 1317	Rear Filter Cover - Development (NA/Asia)	1
23	B156 1317	Cover:Filter:Rear:Development (EU)	1
24	AA01 2123	Filter:Exhaust	2
25	B051 1326	Rear Small Cover - Filter (NA/Asia)	1
25	B156 1326	Cover:Filter:Rear:Small (EU)	1
26	B051 1316	Rear Cover - Cap (NA/Asia)	1
26	B156 1316	Cover:Rear:Cap (EU)	1
27	B051 1320	Rear Filter Cover (NA/Asia)	1
27	B156 1320	Cover:Filter:Rear (EU)	1
28	G070 1077	Sound Proofing - Cover Filter	1
29	B051 1324	Seal - Filter Cover	1
30	B051 1328	Seal - Filter Cover	1
31	B051 1323	Filter Cover (NA/Asia)	1
31	B156 1323	Cover:Filter:Maintenance (EU)	1
32	AA01 2124	Filter:Duct:Exhaust	1
33	AA01 0113	Ozone Filter	1
34	B051 1315	Rear Cover - Duplex (NA/Asia)	1
34	B156 1315	Cover:Rear:Duplex (EU)	1
35	B154 1311	Cover:Rear Lower:DOM (NA/Asia)	1
35	B156 1311	Cover:Rear Lower (EU)	1
36	B051 1325	Lower Cover - Fan Motor	1
37	B154 1270	Cover:Right Rear (NA/Asia)	1
37	B156 1270	Cover:Right Rear (EU)	1
38	B051 1271	Gate Cap (NA/Asia)	1
38	B156 1271	Cap:Gate (EU)	1
39	G070 1262	Duplex Small Cap	1
40	B051 1380	Rear Cap - Duplex (NA/Asia)	1

CÓPIA NÃO CONTROLADA

CÓPIA NÃO CONTROLADA

CÓPIA NÃO CONTROLADA

CÓPIA NÃO CONTROLADA

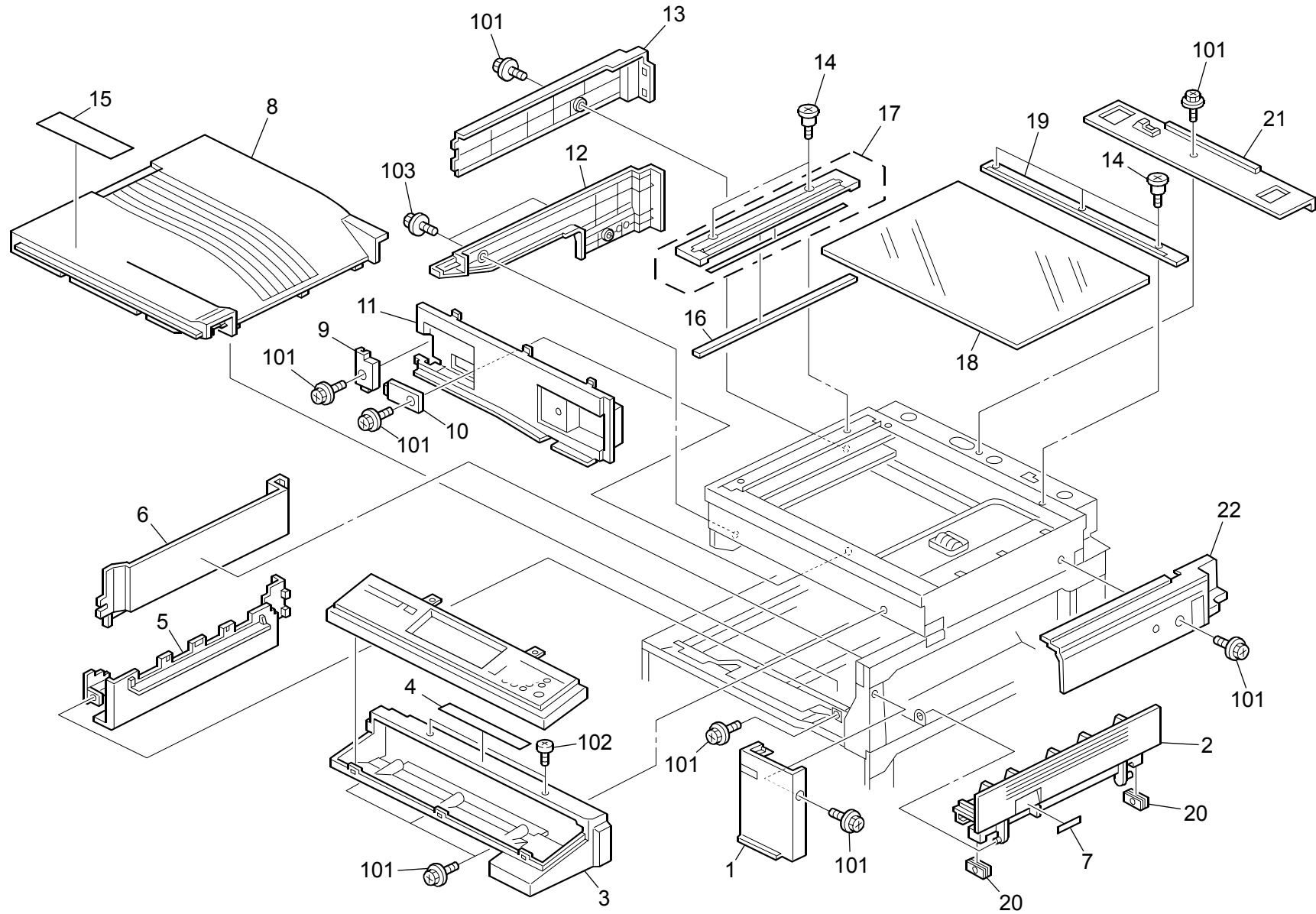
Index No.	Part No.	Description	Q'ty Per Assembly
40	B156 1380	Cap:Duplex:Rear (EU)	1
41	G070 1261	Duplex Cap	1
42	B051 1260	Right Front Cover (NA/Asia)	1
42	B156 1260	Cover:Right Front (EU)	1
43	B156 7509	Operating Instructions:Copy:RIC:NA:English	1
43	B156 7541	Operating Instructions:Copy:RIC:AA:English	1
43	B156 7551	Operating Instructions:Printer:English (NA/Asia)	1
43	B156 7571	Operating Instructions:Security:English (NA/Asia)	1
44	B132 1531	Panel:Logo	1
45	B051 1273	Gap Absorber Seal - 10x18x4	4
46	B154 1291	Damper:Cover:Exterior:Development Unit	2
47	B154 1053	Cap:Grip	4
48	AA00 3025	Decal:Misfeed Removal:Exit	1
49	B065 1371	Cloth Holder	1
50	B065 1374	Cloth - DF Exposure Glass	1
51	AA00 0239	Decal:Color:Mfp	1

Index No.	Part No.	Description	Q'ty Per Assembly
101	0451 3008H	Tapping Screw - M3x8	
102	0451 4008N	Tapping Screw:4x8	
103	0450 3008B	Tapping Screw - M3x8	

CÓPIA NÃO CONTROLADA

2.EXTERIOR 2 (B156/B220)

CÓPIA NÃO CONTROLADA



CÓPIA NÃO CONTROLADA

2.EXTERIOR 2 (B156/B220)

CÓPIA NÃO CONTROLADA

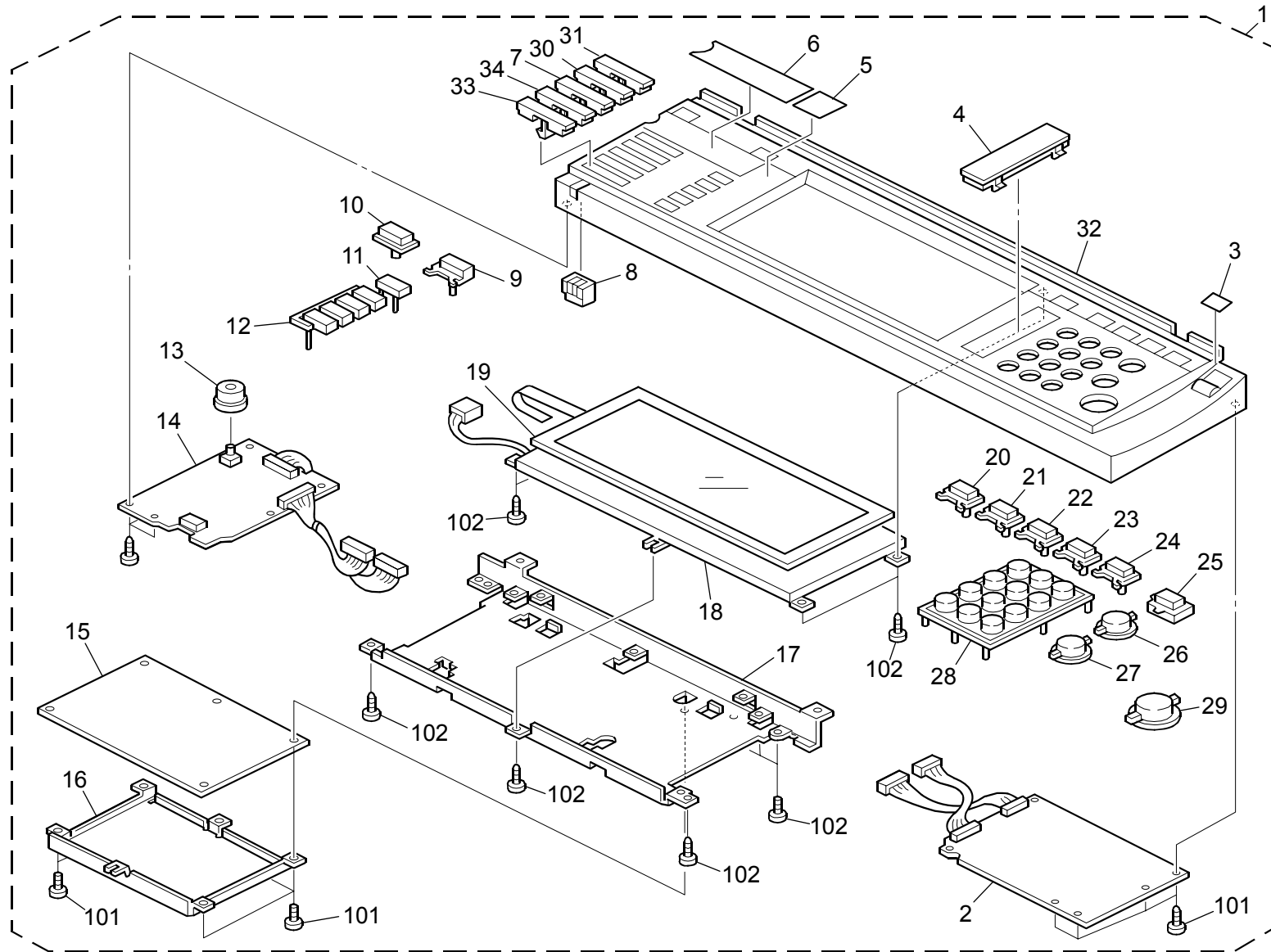
Index No.	Part No.	Description	Q'ty Per Assembly
1	B154 1205	Cover:Front:Right Upper: (NA/Asia)	1
1	B157 1205	Cover:Front:Right Upper: Ass'y (EU)	1
2	B051 1300	Paper Exit Cover - Sub Unit	1
3	B051 1345	Front Cover - Scanner (NA/Asia)	1
3	B156 1345	Cover:Scanner:Front (EU)	1
4	B051 1347	Caution Chart Decal - English	1
5	B156 1251	Cover:Exit:Right	1
6	B156 1252	Cover:Exit:Upper	1
7	AA00 3023	Decal:Grip:Exit	1
8	B156 1250	Cover:Exit	1
9	B051 1255	Exit Connecting Cover - Cap (NA/Asia)	1
9	B156 1255	Cover:Exit:Connecting:Cap (EU)	1
10	B051 1253	Cover - Rear Exit (NA/Asia)	1
10	B156 1253	Cover:Exit:Rear (EU)	1
11	B051 1254	Rear Exit Cover - Cap (NA/Asia)	1
11	B156 1254	Cover:Exit:Rear:Cap (EU)	1
12	B051 1290	Left Upper Cover (NA/Asia)	1
12	B156 1290	Cover:Left Upper (EU)	1
13	B051 1341	Left Cover - Scanner (NA/Asia)	1
13	B156 1341	Cover:Scanner:Left (EU)	1
14	A193 1759	Stepped Screw	5
15	AA00 0663	Decal:Power Source:Inkjet:English	1
16	BC01 2001	Exposure Glass:Sheet Through:332x14	1
17	B386 7106	Scale:Machine or Copier:Ass'y (NA)	1
17	B024 1680	Left Scale (EU)	1
18	A250 1752	Exposure Glass	1
19	B024 1701	Inner Back Scale	1
20	AG07 0514	Magnet Catch:Ass'y	2
21	B051 1340	Rear Cover - Scanner (NA/Asia)	1
21	B156 1340	Cover:Scanner:Rear (EU)	1
22	B051 1342	Right Cover - Scanner (NA/Asia)	1
22	B156 1342	Cover:Scanner:Right (EU)	1

Index No.	Part No.	Description	Q'ty Per Assembly
101	0451 3008H	Tapping Screw - M3x8	
102	0353 0050H	Screw - M3X5	
103	0451 3006N	Tapping Screw - 3x6	

CÓPIA NÃO CONTROLADA

3. OPERATION PANEL (B156/B220)

CÓPIA NÃO CONTROLADA



CÓPIA NÃO CONTROLADA

3.OPERATION PANEL (B156/B220)

CÓPIA NÃO CONTROLADA

Rev. 11/15/2005

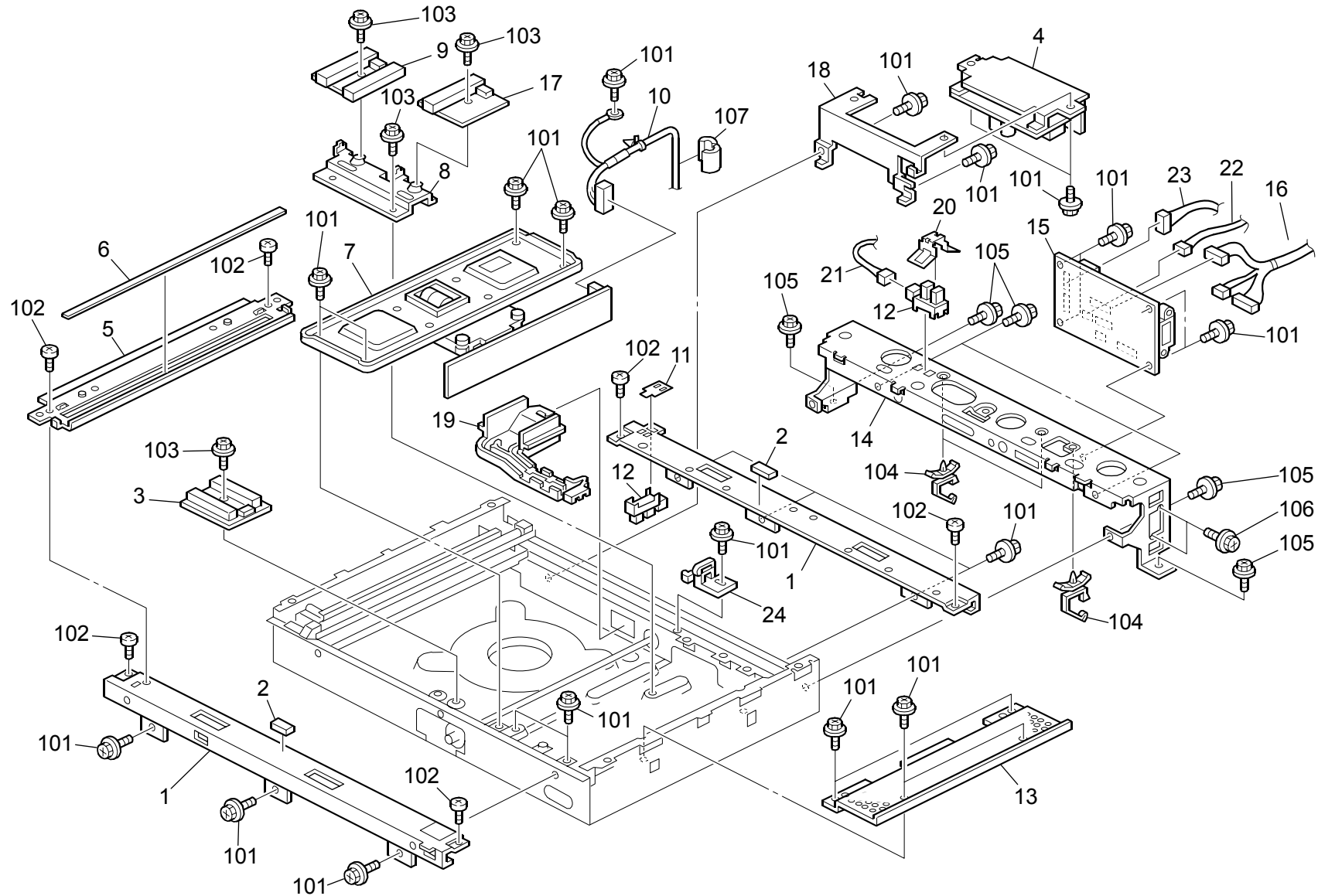
Index No.	Part No.	Description	Q'ty Per Assembly
1	B154 1455	Operation Sub-unit: NA: Ass'y	1
1	B154 1456	Operation Sub-unit: EU: Ass'y	1
1	B154 1458	Operation Sub-unit: T-C1: AA: Ass'y	1
2	B180 1991	PCB: Operation Sub-unit: Right	1
3	G570 2068	Sheet Power Source (NA/Asia)	1
3	G570 2078	Sheet Power Source (EU)	1
4	G570 1971	Keytop Cover - Right	1
5	G570 1966	Sheet - Color C	1
6	G570 2080	Sheet LED - English	1
7	G570 1963	Keytop Switch - Large	1
8	G570 1972	Lens - Data Input	1
9	G570 1948	Keytop - Color Adjust	1
10	G570 1951	Keytop - Counter	1
11	B051 1482	Keytop - ACS	1
12	G570 1953	Keytop - Color Select	1
13	G570 1964	Knob - Contrast	1
14	B180 1990	PCB: Operation Sub-unit: Left	1
15	B154 5236	PCB: LCDC	1
16	B180 1456	Cover: LCDC	1
17	B180 1455	Bracket: Operation Sub-unit: LCD	1
18	B180 5259	LCD: HVGA: SH: BL	1
19	B213 5222	Touch Panel: HVGA	1
20	G570 1947	Keytop - Check Modes	1
21	G570 1950	Keytop - Program	1
22	G570 2062	Keytop Clear Modes - EXP	1
23	G570 1946	Keytop - Energy Saver	1
24	G570 1945	Keytop - Interrupt	1
25	G570 1967	Keytop - Power Source	1
26	G570 1943	Keytop - Sample Copy	1
27	G570 1942	Keytop - Clear/Stop	1
28	G570 2061	Keytop - 10key (NA)	1
28	G570 1944	Keytop - 10key (EU)	1
28	B051 1491	Keytop - 10key (AA)	1
29	G570 1941	Keytop - Start/Stop	1
30	G570 2064	Keytop - Switch (NA/Asia)	1

Index No.	Part No.	Description	Q'ty Per Assembly
30	G570 2074	Keytop - Switch (EU)	1
31	G570 2063	Keytop Copy (NA/Asia)	1
31	G570 2073	Keytop Copy (EU)	1
32	B051 1485	Case - Operation Panel(NA/Asia)	1
32	G570 2051	Case - Operation Panel (EU)	1
33	G570 2067	Keytop Scanner - NA (Letter)	1
33	G570 2077	Keytop Scanner - EU (Symbol)	1
34	G570 2066	Keytop Printer - NA (Letter)	1
34	G570 2076	Keytop Printer - EU (Symbol)	1
101	0353 0040B	Screw - M3X4	
102	0452 3010N	Binding Self-tapping Screw: 3x10	

CÓPIA NÃO CONTROLADA

4. SCANNER UNIT 1 (B156/B220)

CÓPIA NÃO CONTROLADA



CÓPIA NÃO CONTROLADA

4. SCANNER UNIT 1 (B156/B220)

CÓPIA NÃO CONTROLADA

Rev. 10/21/2005

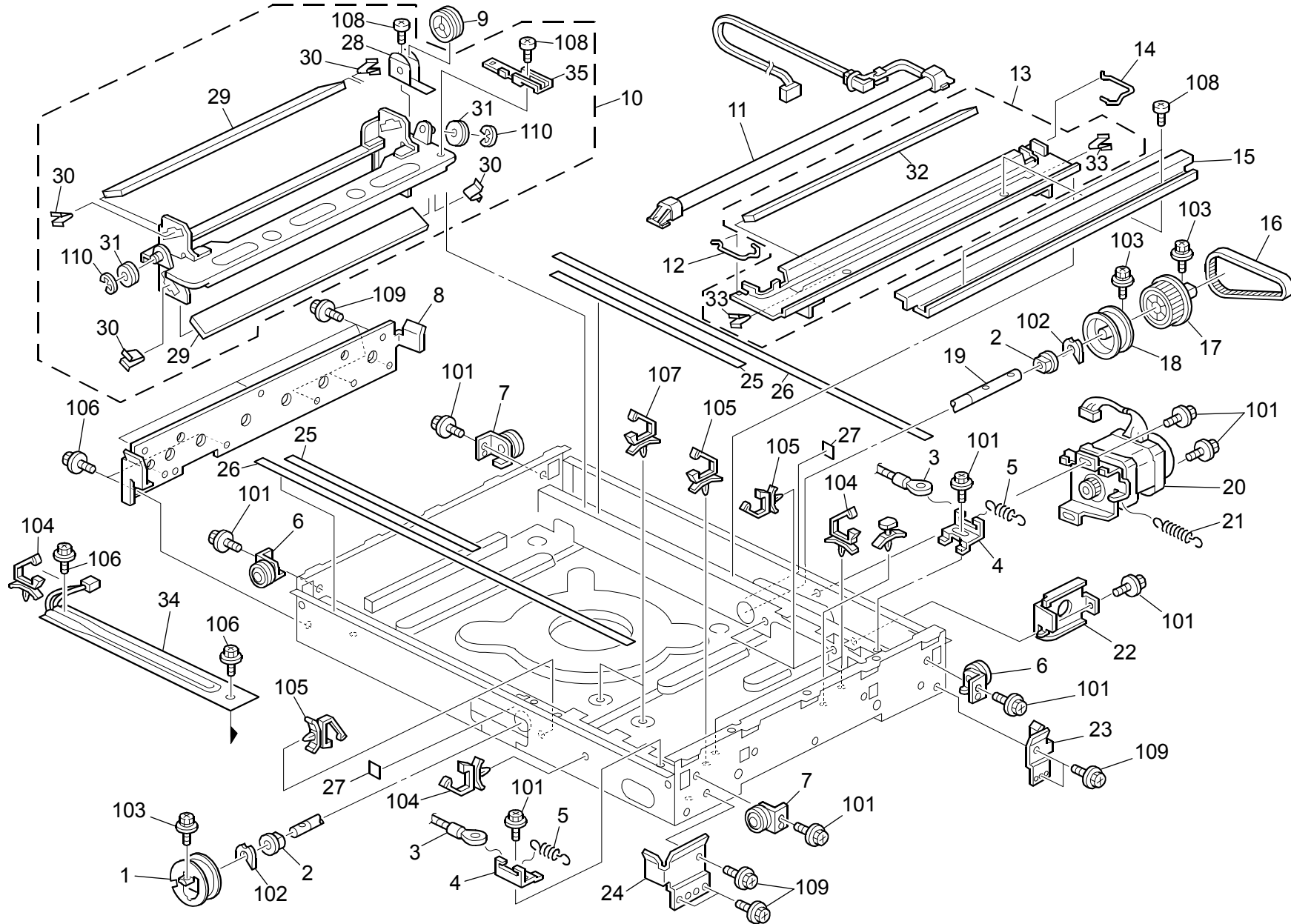
Index No.	Part No.	Description	Q'ty Per Assembly
1	B051 1727	Frame:Scanner:Front	2
2	5442 1924	Exposure Glass Cushion	2
3	AW01 0115	Original Sensor:H=81.5	1
4	AZ50 0066	Stabilizer:Xenon Lamp	1
5	B051 1801	Sheet Through Bracket - DF	1
6	B051 1803	Seal - Exposure Glass	1
7	B154 1684	Lens Holder Unit	1
8	B051 1814	Bracket:Original Sensor	1
9	AW01 0114	Original Sensor:H=2-66	1
10	B154 5336	Interface Cable:BICU:HF	1
11	A193 1793	Scanner Home Sensor Stopper	1
12	AW02 0145	Photointerruptor:Flat	2
13	B180 1701	Inner Cover	1
14	B051 1800	Bracket - Document Feeder Hinge	1
15	B154 5130	PCB:SIO	1
16	B154 5330	Harness:Scanner:DC:Ass'y	1
17	AW01 0116	Original Sensor:H=1-66	1
18	B154 1825	Bracket:Stabilizer	1
19	B180 1803	Guide:High Voltage Supply Cord:Base	1
20	B154 1826	Cover:Sensor:AKS	1
21	B154 5332	Harness:AKS	1
22	B154 5335	Harness:Scanner:Invertor	1
23	B154 5337	Harness:Scanner:Motor	1
24	B180 1801	Grip	1

Index No.	Part No.	Description	Q'ty Per Assembly
101	0451 3006N	Tapping Screw - 3x6	
102	0453 3006B	Tapping Screw - M3x6	
103	0802 5276	Tapping Screw With Washer - M3x6	
104	1105 0511	Harness Clamp - LWS-0306ZC	
105	0451 3008H	Tapping Screw - M3x8	
106	0450 3008H	Tapping Screw - M3x8	
107	1607 1092	Ferrite Core:RFC-10	

CÓPIA NÃO CONTROLADA

5. SCANNER UNIT 2 (B156/B220)

CÓPIA NÃO CONTROLADA



CÓPIA NÃO CONTROLADA

5. SCANNER UNIT 2 (B156/B220)

CÓPIA NÃO CONTROLADA

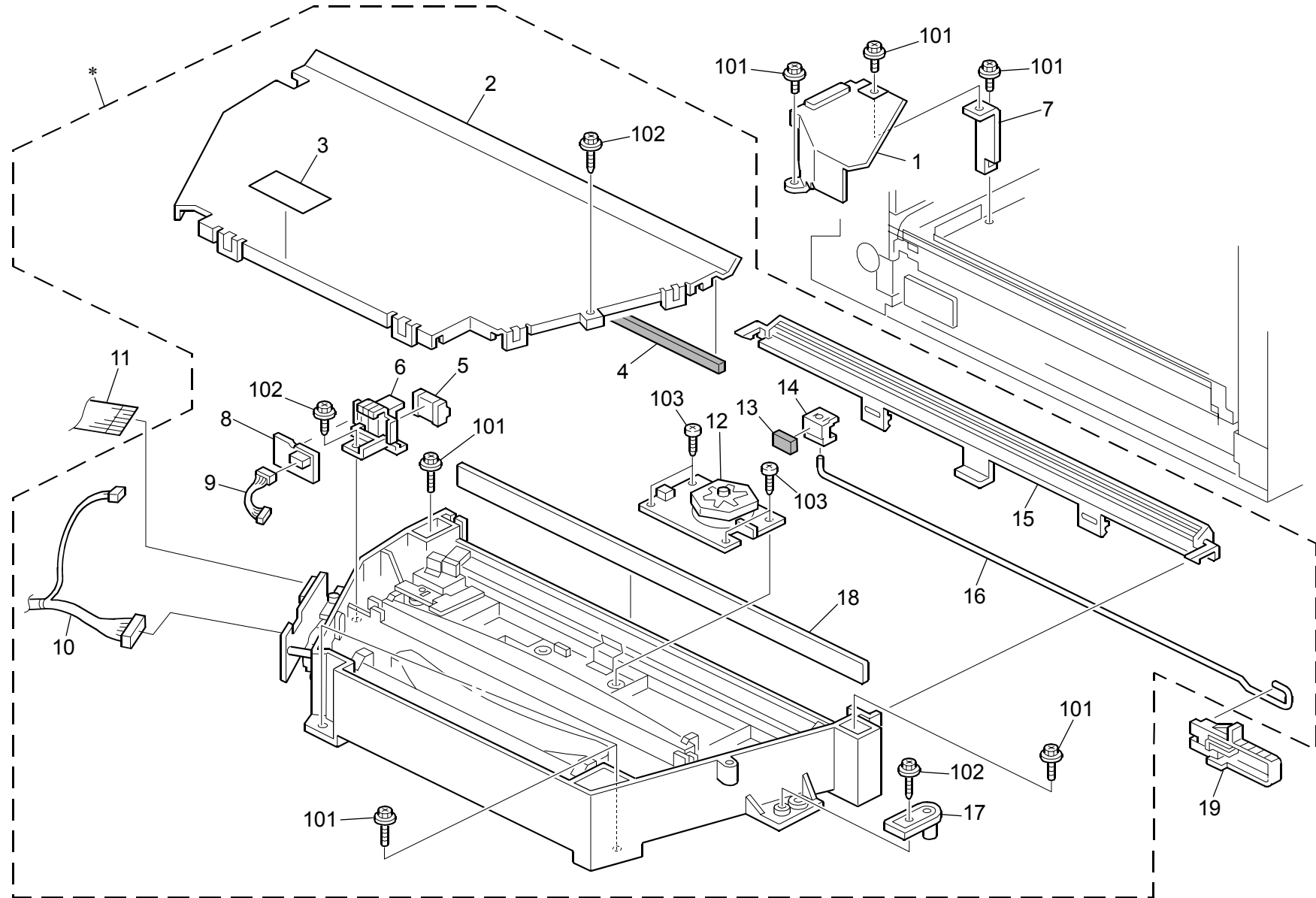
Index No.	Part No.	Description	Q'ty Per Assembly
1	B180 1706	Pulley:Drive Wire:Front:Sub-ass'y	1
2	AA08 2104	Bushing - 8x12x7	2
3	AA05 0114	Drive Wire:Carriage:Mm1.0	2
4	B180 1704	Bracket:Tension	2
5	AA06 0980	Tension Spring:Tension:11300mn	2
6	B024 1841	Front Left Bracket - Idler	2
7	B024 1845	Rear Left Bracket - Idler	2
8	B051 1105	Supporting Plate - Left Scanner	1
9	G570 2834	Pulley - High Voltage Supply Cord	1
10	B180 1723	Carriage:No.2:Ass'y	1
11	AX50 0085	Xenon Lamp:DIA10.3:Ass'y	1
12	A193 1766	Wire Clamp	1
13	B180 1716	Carriage:No.1:Ass'y	1
14	A193 1769	Clamp - Rear Wire	1
15	B180 1772	Shielding Plate	1
16	AA04 3966	Timing Belt:S1.5M236	1
17	G570 1133	Timing Pulley 73	1
18	B180 1709	Pulley:Drive Wire:Rear:Sub-ass'y	1
19	G570 1132	Scanner Drive Shaft	1
20	B154 1805	Stepper Motor:Ass'y	1
21	AA06 0979	Tension Spring:Tension:14720mn	1
22	B051 1802	IOB Scanner Bracket	1
23	B051 1114	Rear Right Bracket - Scanner	1
24	B051 1113	Front Right Bracket - Scanner	1
25	B180 1734	Slide Rail:No.2	2
26	A193 1816	1st Slide Rail	2
27	G570 1160	Spacer Bushing	2
28	G570 2833	Pulley Holder	1
29	G570 2826	2nd Mirror	2
30	G404 2810	Spring Plate - 2nd Mirror	4
31	A267 1855	Wire Pulley - M18	2
32	AC03 0142	1st Mirror	2
33	A193 1767	1st Mirror Holder	2
34	A250 1821	Heater - 9W (120V)	1
34	A250 1822	Heater - 9W (230V)	1

Index No.	Part No.	Description	Q'ty Per Assembly
35	G570 2832	Guide - High Voltage Supply Cord	1
101	0451 3006B	Tapping Screw - M3x6	
102	0805 0088	Retaining Ring - M6	
103	0804 6123	Hexagonal Bolt:W/Washer:M3x8	
104	1105 0460	Clamp	
105	1105 0516	Clamp	
106	0802 5276	Tapping Screw With Washer - M3x6	
107	1105 0511	Harness Clamp - LWS-0306ZC	
108	0353 0050H	Screw - M3X5	
109	0451 3008B	Tapping Screw - M3x8	
110	0720 0040E	Retaining Ring - M4	

CÓPIA NÃO CONTROLADA

6.LASER UNIT (B156/B220)

CÓPIA NÃO CONTROLADA



CÓPIA NÃO CONTROLADA

6.LASER UNIT (B156/B220)

CÓPIA NÃO CONTROLADA

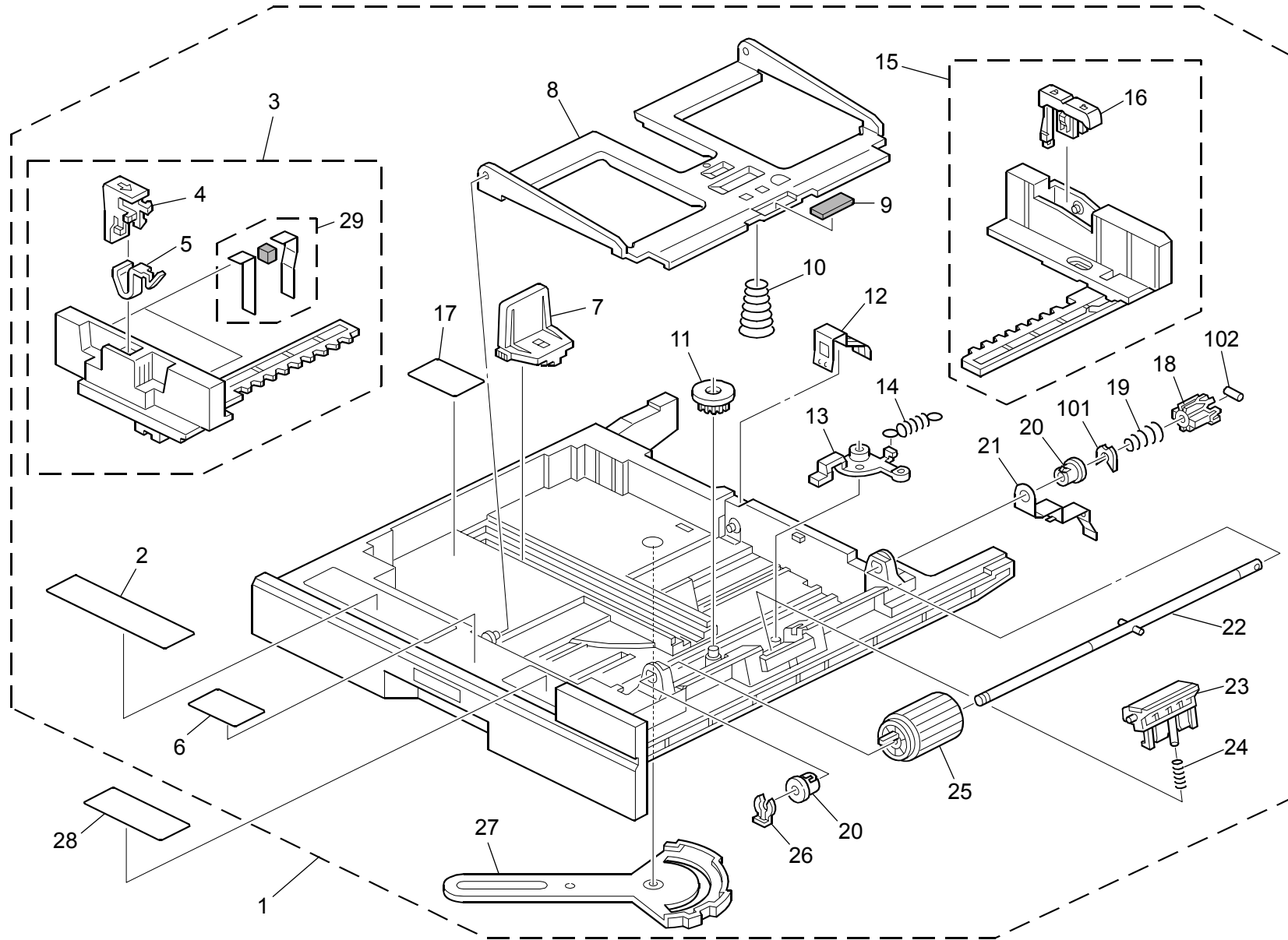
Index No.	Part No.	Description	Q'ty Per Assembly
*	B154 1852	Imaging Unit	1
1	G070 1971	LD Unit Cover	1
2	G070 1941	Cover	1
3	AA00 0217	Decal - LD 655	1
4	G070 1942	Front Cover Shield	1
5	AC02 4005	Cylindrical Lens	1
6	G070 1925	Sync Detector Holder	1
7	G070 1972	Cover Bracket - LD Unit	1
8	B154 1879	Sync Detector:Ass'y	1
9	B154 5342	Harness - LD Control Board-sync	1
10	B154 5421	Harness:BICU:Imaging Unit	1
11	B051 5425	FFC LD Harness	1
12	B154 1975	Polygon Scanner	1
13	G070 1955	Cleaner	1
14	G070 1954	Cleaner Holder	1
15	G070 1952	Shield Glass Cover	1
16	G070 1953	Cleaner Shaft	1
17	G070 1902	Positioning Pin	1
18	G070 1903	Shield Glass	1
19	G070 1956	Cleaner Grip	1

Index No.	Part No.	Description	Q'ty Per Assembly
101	0451 3006B	Tapping Screw - M3x6	
102	0450 3010N	Tapping Screw - M3x10	
103	0452 3010N	Binding Self-tapping Screw:3x10	

CÓPIA NÃO CONTROLADA

7.PAPER TRAY 1 (B156/B220)

CÓPIA NÃO CONTROLADA



CÓPIA NÃO CONTROLADA

7.PAPER TRAY 1 (B156/B220)

CÓPIA NÃO CONTROLADA

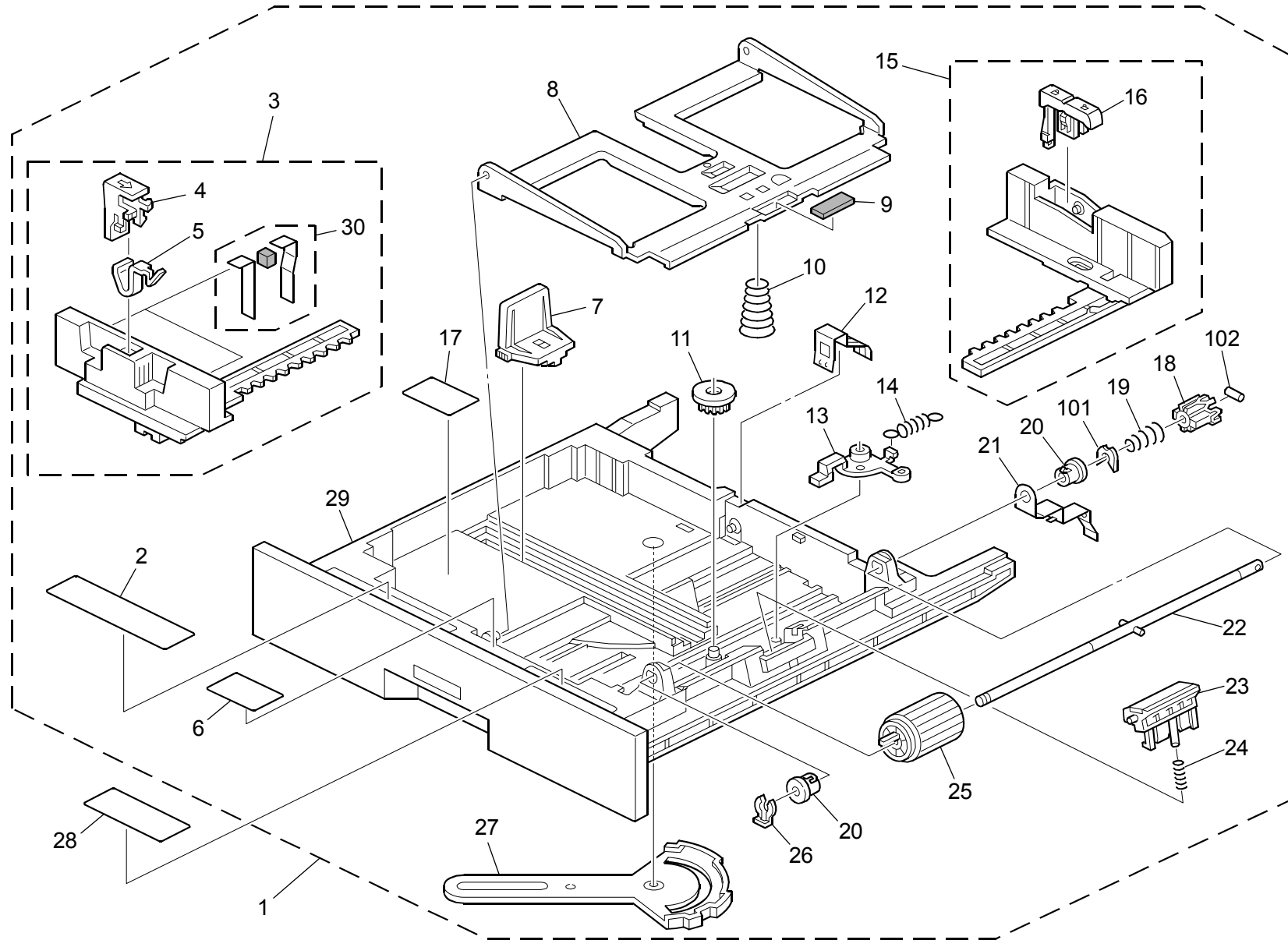
Index No.	Part No.	Description	Q'ty Per Assembly
1	B156 2701	Paper Tray:EXP:Ass'y	1
2	G070 2730	Decal - Paper Set Direction	1
3	B154 2712	Side Fence:Front:Ass'y	1
4	G070 2714	Front Lever - Stopper	1
5	G070 2713	Spring Plate Stopper	1
6	B154 2583	Decal - OHP Paper Feed	1
7	AF01 7025	End Fence	1
8	AF01 1047	Tray Bottom Plate	1
9	5215 2713	Bottom Plate Pad	1
10	AA06 3628	Spring - 5.9n/16.6n	1
11	A267 2869	Gear - 16Z	1
12	G070 2719	Ground Plate- Bottom Plate	1
13	G070 2711	Base Stopper	1
14	AA06 0866	Lever Spring	1
15	B154 2716	Side Fence:Rear:Ass'y	1
16	G070 2718	Rear Lever - Stopper	1
17	B051 2581	Decal - End Fence	1
18	G070 2728	Joint - Feed Roller Shaft	1
19	AA06 3630	Spring	1
20	B039 2727	Bushing - 8x12x10	2
21	G070 2725	Grounding Plate	1
22	B154 2726	Shaft:Paper Feed Roller:Ass'y	1
23	B154 2722	Friction Pad:Ass'y	1
24	AA06 3629	Spring - 2.8n	1
25	AF03 1084	Paper Feed Roller Mm36	1
26	5215 2621	Snap Ring - M6	1
27	G070 2710	Paper Size Sensor Link	1
28	AA00 3022	Decal - Paper Tray	1
29	G070 2735	Guide Plate - Side Fence	1

Index No.	Part No.	Description	Q'ty Per Assembly
101	0805 0088	Retaining Ring - M6	
102	0623 0140E	Spring Pin - 3x14mm	

CÓPIA NÃO CONTROLADA

8.PAPER TRAY 2 (B156/B220)

CÓPIA NÃO CONTROLADA



CÓPIA NÃO CONTROLADA

8.PAPER TRAY 2 (B156/B220)

CÓPIA NÃO CONTROLADA

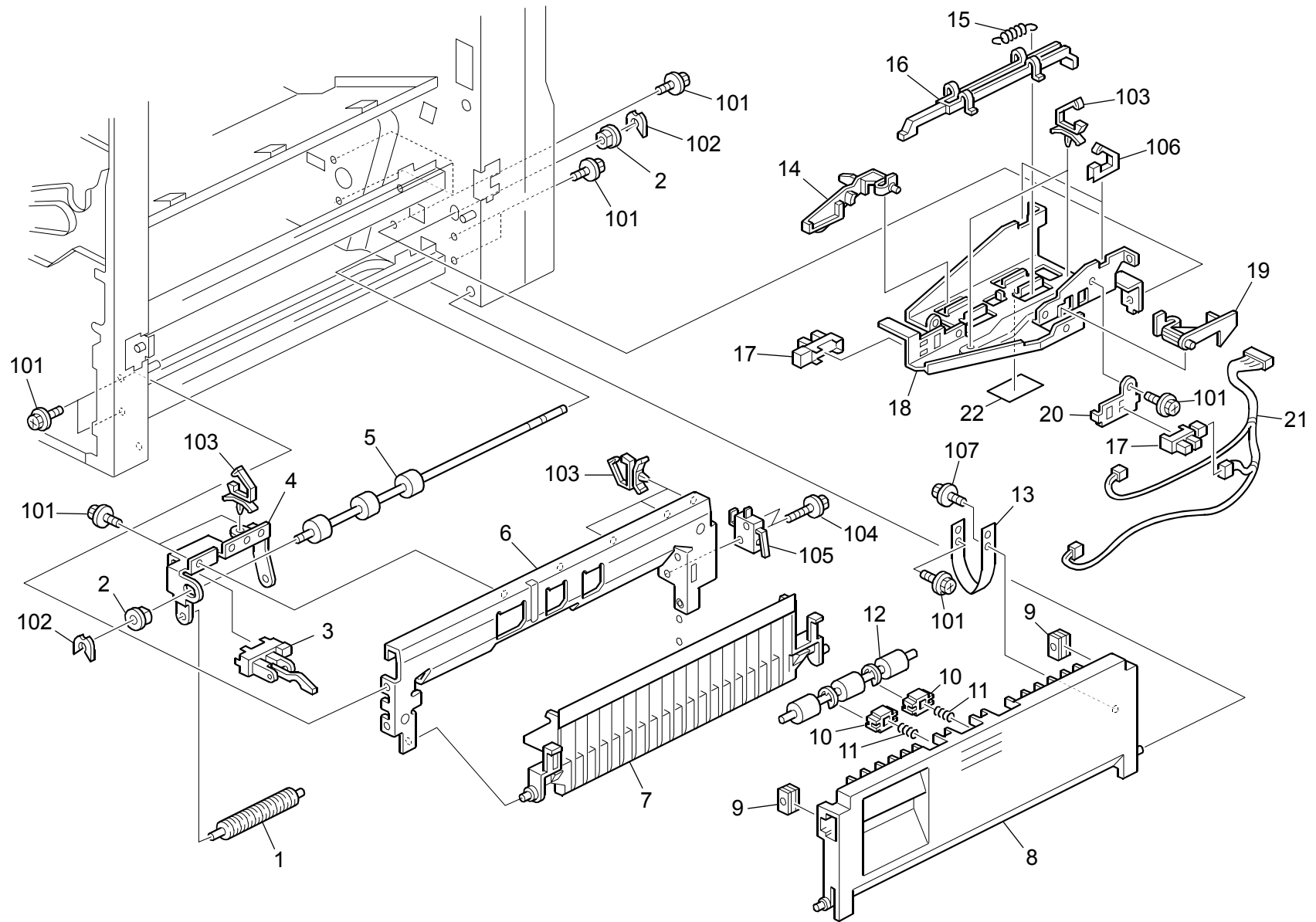
Index No.	Part No.	Description	Q'ty Per Assembly
1	B156 2702	Paper Tray:2nd:EXP:Ass'y	1
2	G070 2730	Decal - Paper Set Direction	1
3	B154 2712	Side Fence:Front:Ass'y	1
4	G070 2714	Front Lever - Stopper	1
5	G070 2713	Spring Plate stopper	1
6	B154 2583	Decal - OHP Paper Feed	1
7	AF01 7025	End Fence	1
8	AF01 1047	Tray Bottom Plate	1
9	5215 2713	Bottom Plate Pad	1
10	AA06 3628	Spring - 5.9n/16.6n	1
11	A267 2869	Gear - 16Z	1
12	G070 2719	Ground Plate- Bottom Plate	1
13	G070 2711	Base Stopper	1
14	AA06 0866	Lever Spring	1
15	B154 2716	Side Fence:Rear:Ass'y	1
16	G070 2718	Rear Lever - Stopper	1
17	B051 2581	Decal - End Fence	1
18	G070 2728	Joint - Feed Roller Shaft	1
19	AA06 3630	Spring	1
20	B039 2727	Bushing - 8x12x10	2
21	G070 2725	Grounding Plate	1
22	B154 2726	Shaft:Paper Feed Roller:Ass'y	1
23	B154 2722	Friction Pad:Ass'y	1
24	AA06 3629	Spring - 2.8n	1
25	AF03 1084	Paper Feed Roller Mm36	1
26	5215 2621	Snap Ring - M6	1
27	G070 2710	Paper Size Sensor Link	1
28	AA00 3022	Decal - Paper Tray	1
29	AF01 0094	Paper Tray:2nd	1
30	G070 2735	Guide Plate - Side Fence	1

Index No.	Part No.	Description	Q'ty Per Assembly
101	0805 0088	Retaining Ring - M6	
102	0623 0140E	Spring Pin - 3x14mm	

CÓPIA NÃO CONTROLADA

9.VERTICAL TRANSFER 1 (B156/B220)

CÓPIA NÃO CONTROLADA



CÓPIA NÃO CONTROLADA

9.VERTICAL TRANSFER 1 (B156/B220)

CÓPIA NÃO CONTROLADA

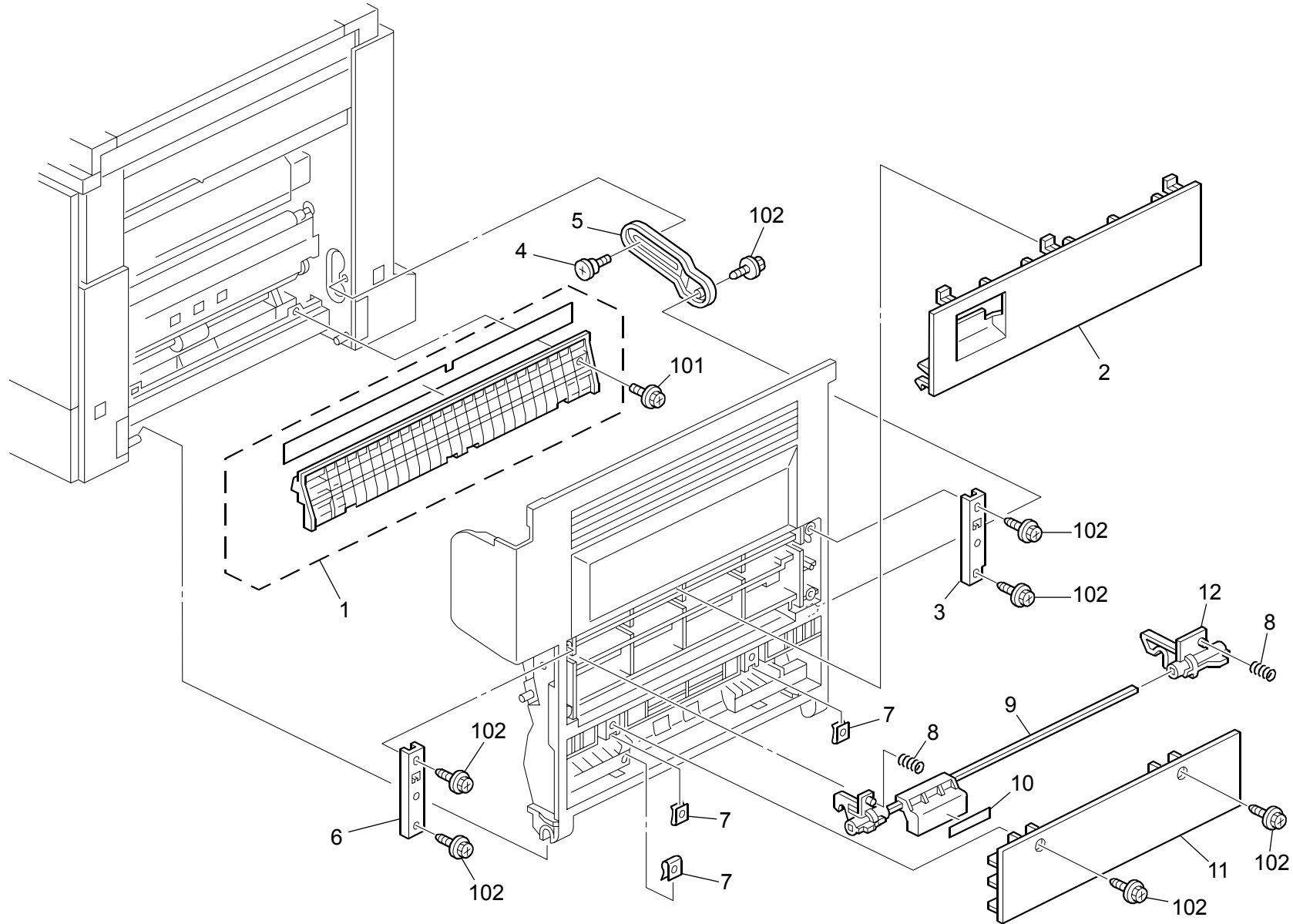
Index No.	Part No.	Description	Q'ty Per Assembly
1	A860 2560	Roller - Guide	1
2	AA08 2101	Bushing - 6x10x6	2
3	AW02 0171	Photointerruptor:Vertical Transport	1
4	B051 2568	Guide Plate - Paper Feed2	1
5	AF02 0645	Roller:Vertical Transport:Drive	1
6	B051 2553	Upper Guide Plate - Paper Feed2	1
7	B051 2610	Guide Plate - Vertical Transport	1
8	B051 2551	Cover - Vertical Transport	1
9	AG07 0514	Magnet Catch:Ass'y	2
10	AA08 0254	Bushing - M4	2
11	B051 2557	Compression Spring	2
12	B154 2862	Roller:Driven:Ass'y	1
13	B051 2558	Stopper Band	1
14	G070 2646	Paper End Sensor Feeler	1
15	AA06 0866	Lever Spring	1
16	G070 2645	Release Lever	1
17	AW02 0145	Photointerruptor:Flat	2
18	B051 2550	Bracket - Paper End Sensor2	1
19	G070 2647	Feeler - Paper Volume Sensor	1
20	G070 2644	Sensor Rear Bracket	1
21	B154 5471	Harness:Paper Feed:No.2:Sensor	1
22	G070 2648	Seal - Plate	1

Index No.	Part No.	Description	Q'ty Per Assembly
101	0451 3006B	Tapping Screw - M3x6	
102	0805 0089	Retaining Ring - M4	
103	1105 0511	Harness Clamp - LWS-0306ZC	
104	0451 3014N	Tapping Screw - M3-14	
105	1204 2521	Micro Switch	
106	1105 0522	Edge Saddle - LES0510	
107	0450 3008B	Tapping Screw - M3x8	

CÓPIA NÃO CONTROLADA

10.VERTICAL TRANSFER 2 (B156/B220)

CÓPIA NÃO CONTROLADA



CÓPIA NÃO CONTROLADA

10.VERTICAL TRANSFER 2 (B156/B220)

CÓPIA NÃO CONTROLADA

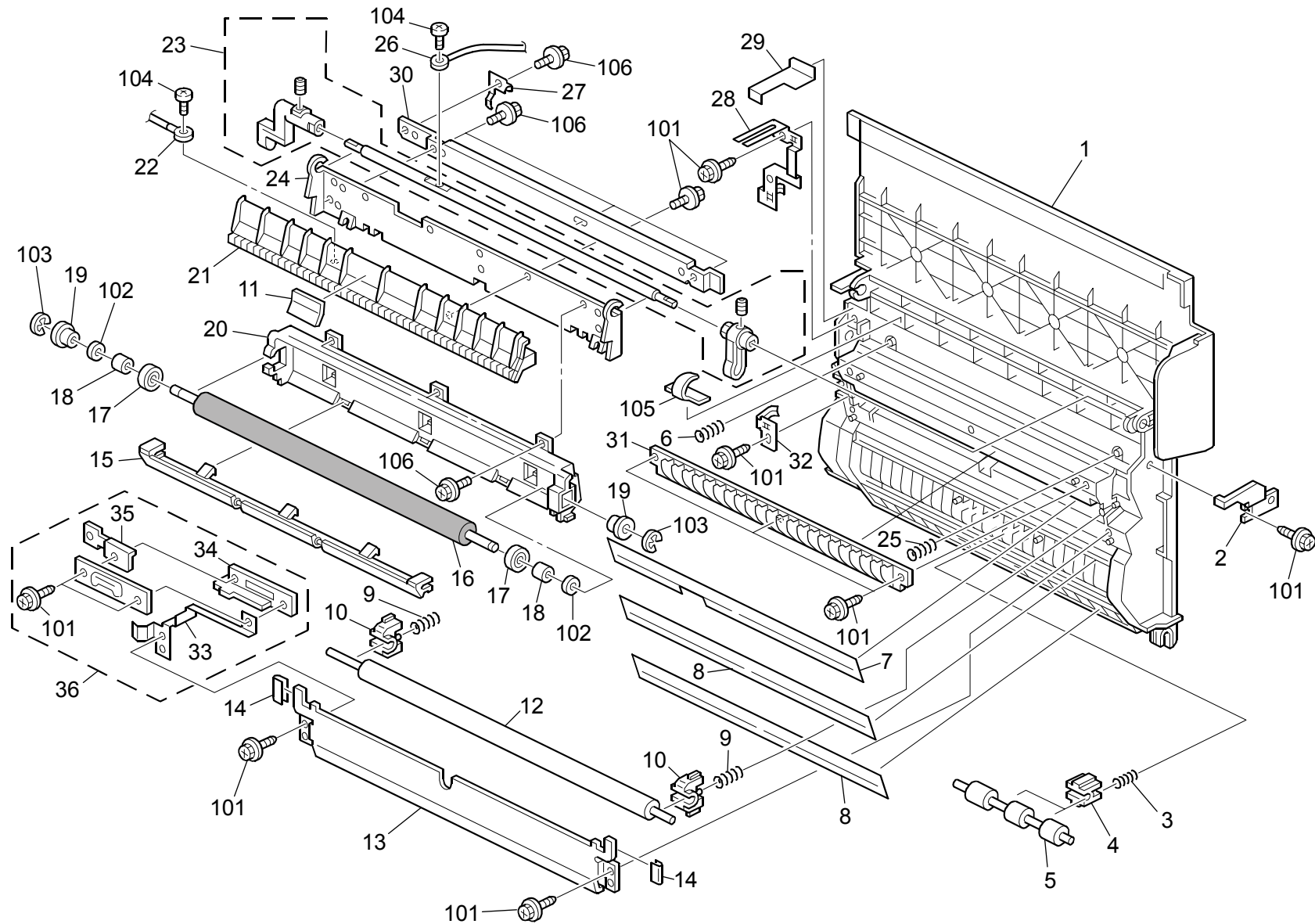
Index No.	Part No.	Description	Q'ty Per Assembly
1	G070 2606	Guide Plate	1
2	G070 1357	Right Cover	1
3	G070 1356	Rear Support Plate - Right Cover	1
4	AA14 3493	Screw	1
5	G070 1196	Right Link - Transport Cover	1
6	G070 1354	Front Support Plate - Right Cover	1
7	A232 1284	Spring Holder	3
8	AA06 3402	Spring	2
9	G070 1361	Un Lock Hook	1
10	AA00 3024	Decal:Grip:Vertical Transport	1
11	G070 1284	Light Lower Cover	1
12	G070 1353	Rear Right Cover Hook	1

Index No.	Part No.	Description	Q'ty Per Assembly
101	0451 3006B	Tapping Screw - M3x6	
102	0450 3008B	Tapping Screw - M3x8	

CÓPIA NÃO CONTROLADA

11.VERTICAL TRANSFER 3 (B156/B220)

CÓPIA NÃO CONTROLADA



CÓPIA NÃO CONTROLADA

11.VERTICAL TRANSFER 3 (B156/B220)

CÓPIA NÃO CONTROLADA

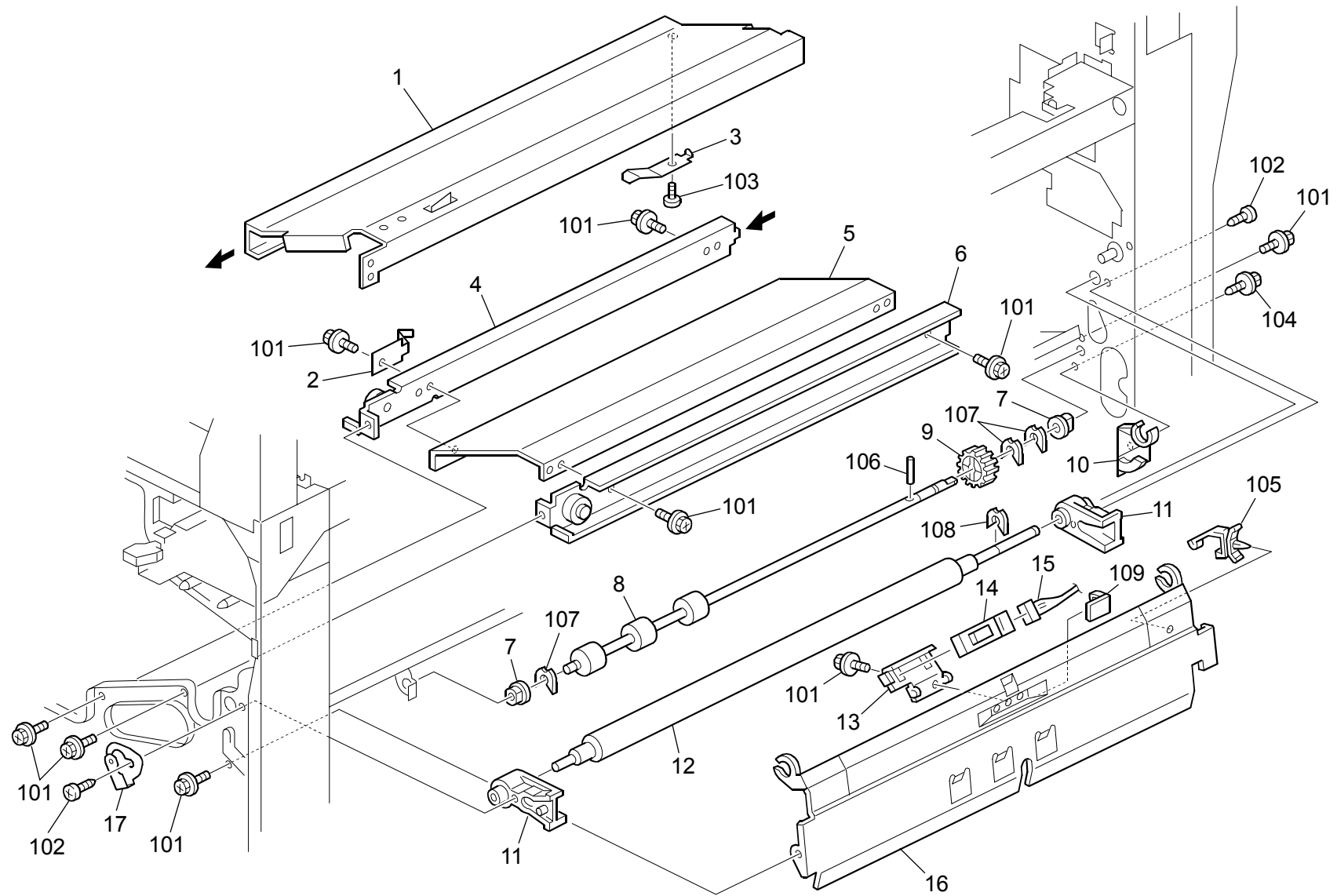
Index No.	Part No.	Description	Q'ty Per Assembly
1	B051 1359	Right Cover - Vertical Transport	1
2	G070 6221	Transfer Unit Stopper	1
3	AA06 3563	Spring	2
4	AA08 0254	Bushing - M4	2
5	B154 2862	Roller:Driven:Ass'y	1
6	AA06 3876	Transfer Unit Spring -10n	2
7	G070 2585	Registration Driven Cleaner	1
8	G070 1281	Right Cover Guide - By-pass Feed	2
9	AA06 3631	Spring - 20n	2
10	A267 2685	Bushing - Driven Roller	2
11	B154 6235	Sensor Seal - 22x39.5	1
12	AF02 1082	Registration Roller:Driven:MM14	1
13	G070 2583	Right Guide Plate	1
14	G070 2586	Shield:Guide Plate	2
15	G070 6245	Entrance Guide	1
16	B154 6200	Transfer Roller	1
17	G070 6201	Roller - Transfer Roller	2
18	G070 6236	Collar - 8x11x10	2
19	G070 6202	Transfer Roller Bushing	2
20	G070 6206	Transfer Roller Holder	1
21	B051 6231	Transport Guide Assembly	1
22	B154 5456	Wire:Bias:Separation	1
23	B154 6237	Arm:Ass'y	1
24	G070 6204	Transfer Unit Frame	1
25	AA06 3896	Transfer Unit Spring - 16n	1
26	B154 5457	Ground Wire:Arm:Transfer	1
27	G070 6210	Rear Grounding Plate	1
28	G070 6218	Transfer Roller Terminal	1
29	B051 6243	Terminal Cover Sheet	1
30	G070 6205	Frame Stay	1
31	B051 1365	Front Transfer Guide	1
32	G070 6220	Separation Terminal	1
33	G070 2592	Ground Plate:Registration	1
34	G070 2591	Holder:Resistor	1
35	G070 2593	Electrode Plate:Registration	1

Index No.	Part No.	Description	Q'ty Per Assembly
36	G070 2590	Holder:Resistor:Ass'y	1
101	0450 3008N	Tapping Screw - M3x8	
102	0740 3708	Bushing - 8x12x3.5	
103	0720 0060E	Retaining Ring - M6	
104	0353 0040B	Screw - M3X4	
105	1105 0189	Cord Holder	
106	0451 3006B	Tapping Screw - M3x6	

CÓPIA NÃO CONTROLADA

12.REGISTRATION (B156/B220)

CÓPIA NÃO CONTROLADA



CÓPIA NÃO CONTROLADA

12.REGISTRATION (B156/B220)

CÓPIA NÃO CONTROLADA

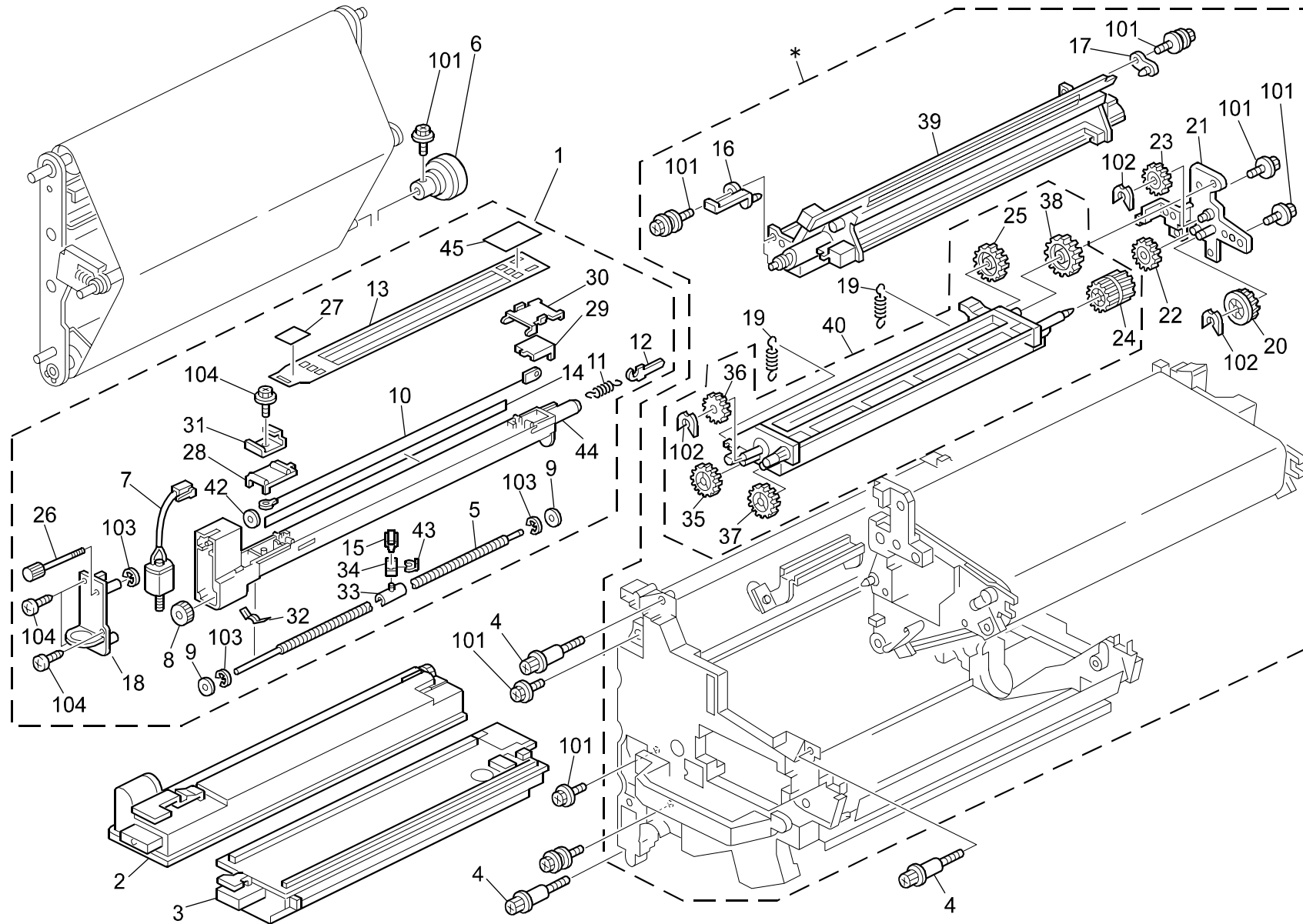
Index No.	Part No.	Description	Q'ty Per Assembly
1	G070 6145	Slide Rail	1
2	G070 6175	Grounding Plate - Slide Rail	1
3	G070 6157	Slide Rail Stopper	1
4	B154 6150	Rail:PCU:Left Lower:Ass'y	1
5	B154 6158	Cover:Power Supply	1
6	B154 6152	Rail:PCU:Right Lower:Ass'y	1
7	AA08 2101	Bushing - 6x10x6	2
8	AF02 0645	Roller:Vertical Transport:Drive	1
9	AB01 1225	Gear - 28Z	1
10	G070 1197	Gap Gear Guide	1
11	A267 2674	Bushing - Registration Roller	2
12	AF02 0644	Registration Roller:Drive	1
13	G070 2577	Registration Sensor Bracket	1
14	AW01 0117	Paper Feed Sensor	1
15	B154 5410	Harness:PPI:Registration Sensor	1
16	G070 2573	Registration Guide	1
17	G070 2578	Ground Plate:Registration Roller:Drive	1

Index No.	Part No.	Description	Q'ty Per Assembly
101	0451 3006B	Tapping Screw - M3x6	
102	0452 3008B	Tapping Screw - M3x8	
103	0353 0040B	Screw - M3X4	
104	0450 3008B	Tapping Screw - M3x8	
105	1105 0511	Harness Clamp - LWS-0306ZC	
106	0622 0160E	Spring Pin - 2x16mm	
107	0805 0089	Retaining Ring - M4	
108	0805 0088	Retaining Ring - M6	
109	1105 0542	Harness Clamp - MSBS-1207	

CÓPIA NÃO CONTROLADA

13.PCU UNIT (B156/B220)

CÓPIA NÃO CONTROLADA



CÓPIA NÃO CONTROLADA

13.PCU UNIT (B156/B220)

CÓPIA NÃO CONTROLADA

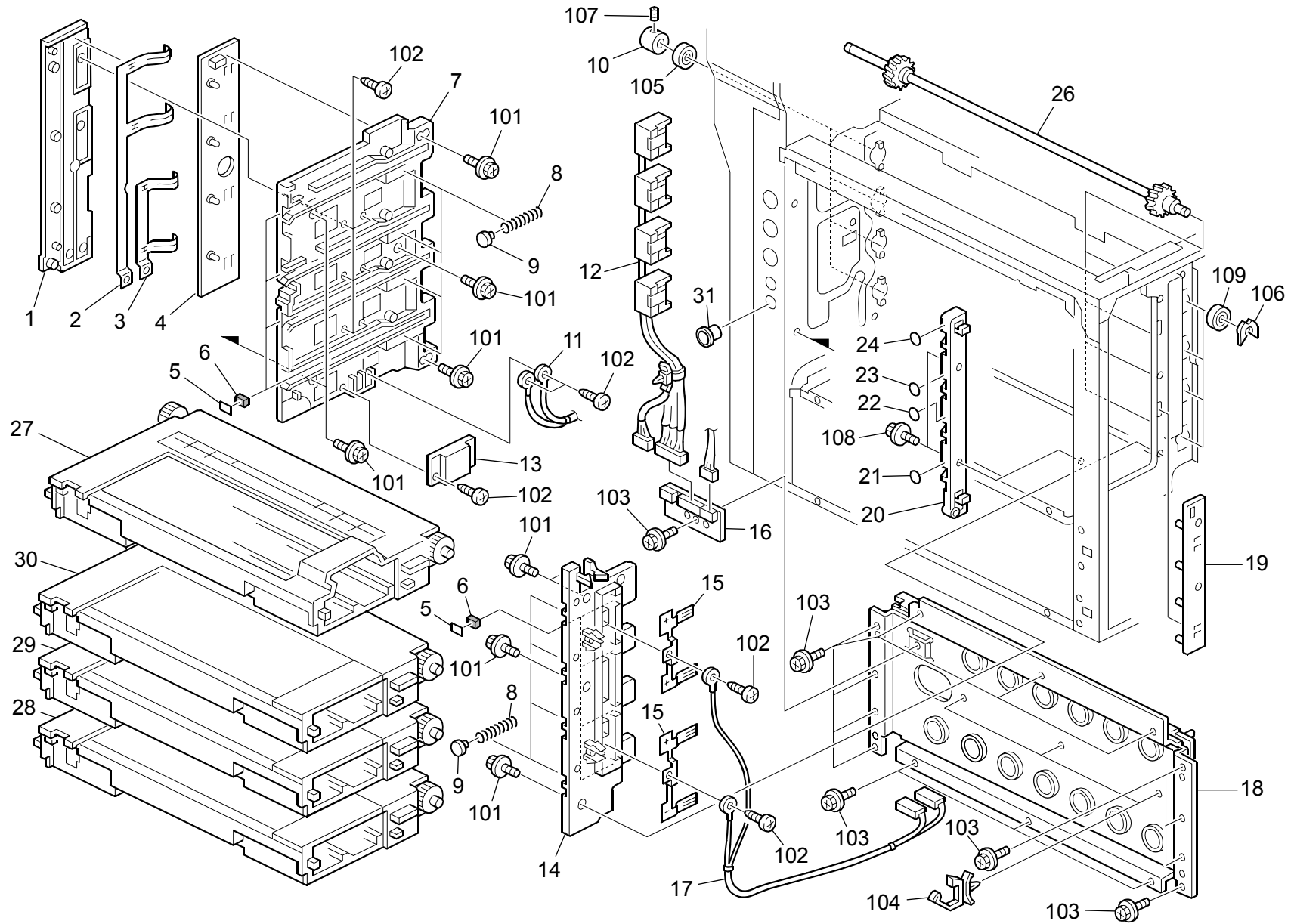
Index No.	Part No.	Description	Q'ty Per Assembly
*	B214 2300	Photo Conductor Unit	1
*	B214 2301	O/O	1
1	B051 2160	Charge Corona Assembly	1
2	B051 2100	Waste Toner Bottle - OPC Belt	1
3	B051 6311	Case:Toner Recycling:Ass'y	1
4	G070 2358	Flanged Hexagonal Head Bolt -M4x14	3
5	G070 2165	Cleaner Screw Shaft	1
6	G070 2318	PCU Drive Joint	1
7	G070 2176	Wire Cleaning Motor - DC0.46W	1
8	AB01 0087	Gear - 20Z	1
9	A096 3863	Spacer - 4x6x1	2
10	G070 2110	Corona Wire:Charge Corona	1
11	5442 2108	Corona Wire Spring	1
12	A172 7611	Positioning Pin	1
13	G070 2156	Charge Corona Grid	1
14	G070 2142	Seal - Charge Corona	1
15	G070 2167	Charge Corona Cleaner Holder	1
16	B154 2119	Front Positioning Plate	1
17	B154 2120	Rear Positioning Plate	1
18	G070 2173	DC Motor Cover - Charge Corona	1
19	B154 6412	Tension Spring:Cleaning Blade	2
20	AB01 7595	Double Gear - 15Z/23Z	1
21	B154 6394	Rear Bracket - ITB Cleaning Unit	1
22	AB01 4215	Idler Gear - 20Z	1
23	AB01 4224	Idler Gear - 19Z	1
24	AB01 7695	Gear:Drive	1
25	AB01 1475	Gear - 21Z	1
26	B154 2174	Knob Screw:Charge Corona	1
27	G070 2136	Grid Shading Plate	1
28	G070 2159	Front End Block Cover	1
29	G070 2160	Rear End Block Cover	1
30	G070 2161	Rear Bracket - Grid Plate	1
31	G070 2162	Spring Plate – Grid tension	1
32	G070 2163	Spring Plate - Screw Shaft	1
33	G070 2166	Cleaner Slider - Charge Corona	1

Index No.	Part No.	Description	Q'ty Per Assembly
34	G070 2168	Charge Corona Cleaner	1
35	AB01 1472	Gear - 20Z	1
36	AB01 1473	Gear - 13Z	1
37	AB01 1474	Gear - 24Z	1
38	AB01 1476	Idler Gear - 35Z	1
39	B154 2051	OPC Cleaning Unit	1
40	B154 6300	Belt Cleaning Assembly	1
41	A257 3490	Cap - 20mm	1
42	G070 2164	Spacer - Endblock	1
43	A172 7650	Slider Ring	1
44	G070 2152	Casing:Charge Corona:Ass'y	1
45	G070 2116	Protection Sheet	1
101	0451 3006B	Tapping Screw - M3x6	
102	0805 0089	Retaining Ring - M4	
103	0720 0025E	Retaining Ring - M2.5	
104	0452 3008N	Tapping Screw - M3x8	

CÓPIA NÃO CONTROLADA

14.DEVELOPMENT UNIT (B156/B220)

CÓPIA NÃO CONTROLADA



CÓPIA NÃO CONTROLADA

14.DEVELOPMENT UNIT (B156/B220)

CÓPIA NÃO CONTROLADA

Rev. 01/2006

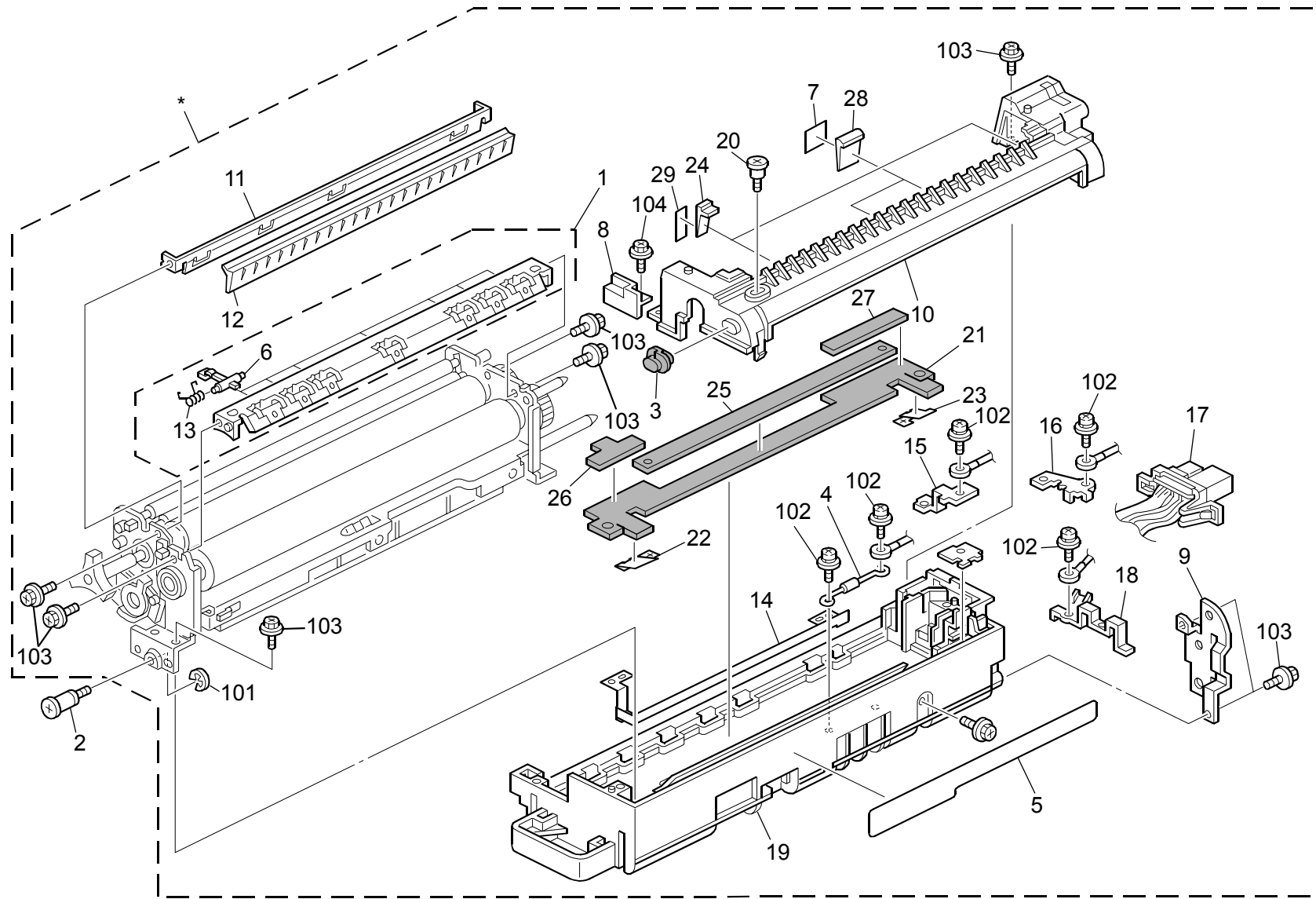
Index No.	Part No.	Description	Q'ty Per Assembly
1	G070 3293	Terminal Cover - Doctor Blade	1
2	G070 3291	Doctor Blade Terminal	1
3	G070 3292	Doctor Blade Terminal	1
4	B154 5270	PCB: Toner End Sensor: Rear: Photo	1
5	G070 3237	Damper Cover	8
6	G070 3248	Damper - Development Roller	8
7	B154 3232	Side Plate: Rear: Development	1
8	G070 3239	Compression Spring	8
9	G070 3240	Spring Cap	8
10	G070 4605	Color Shaft - Development	8
11	B154 5463	Harness: Development: Sponge: Roller	1
12	G070 5295	Harness: ID: Sensor: Ass'y [TSB#004]	1
13	G070 3295	Bias Terminal Cover	1
14	G070 3231	Front Side Plate	1
15	G070 3236	Development Vias Terminal	2
16	B154 5281	PCB: ID: Ass'y	1
17	B154 5453	Harness: PPI: High Voltage Line: B2	1
18	B154 1068	Stay: Left Lower: Ass'y	1
19	B154 5260	PCB: Toner End Sensor: Front: Radiate	1
20	G070 3233	Side Plate - Front Left	1
21	G024 6992	Display Decal - Magenta	1
22	G024 6991	Display Decal - Cyan	1
23	G024 6993	Display Decal - Yellow	1
24	G024 6994	Display Decal - Black	1
25	G070 1093	Front Lower Middle Shield	1
26	B154 4607	Shaft: Development: On-Off: FC	1
27	B154 0152	Development Unit - BK	1
28	B154 0154	Development Unit - M	1
29	B154 0156	Development Unit - Y	1
30	B154 0155	Development Unit - C	1
31	G024 1473	Bushing	1

Index No.	Part No.	Description	Q'ty Per Assembly
101	0451 3008B	Tapping Screw - M3x8	
102	0452 3008B	Tapping Screw - M3x8	
103	0451 3006B	Tapping Screw - M3x6	
104	1105 0516	Clamp	
105	0740 3008	Ball Bearing - 8x22x7	
106	0805 0088	Retaining Ring - M6	
107	0574 0040E	Hexagon Headless Set Screw - M4x4	
108	0450 3008B	Tapping Screw - M3x8	
109	0740 3808	Ball Bearing - 8x16x5mm	

CÓPIA NÃO CONTROLADA

15.FUSING UNIT 1 (B156/B220)

CÓPIA NÃO CONTROLADA



CÓPIA NÃO CONTROLADA

15.FUSING UNIT 1 (B156/B220)

CÓPIA NÃO CONTROLADA

Rev. 03/30/2006

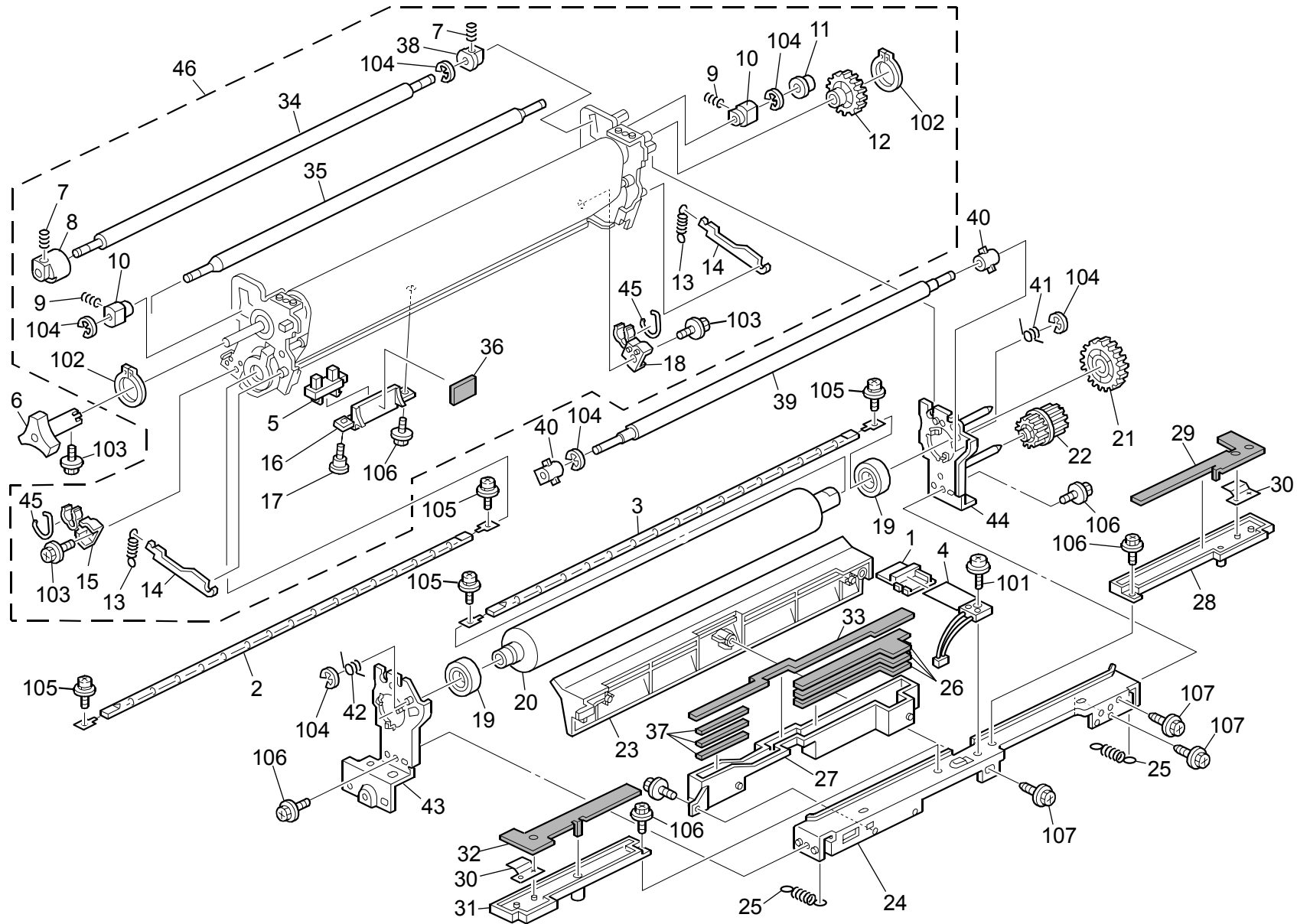
Index No.	Part No.	Description	Q'ty Per Assembly
*	B154 4026	Fusing Unit - 120V	1
*	B154 4033	Fusing Unit - 230V [TSB#013]	1
1	B154 4010	Pickoff Pawl: Pressure Roller: Ass'y	1
2	B051 4103	Knob Screw - 4M	1
3	B051 4312	Oil Tank Packing	1
4	G060 4351	Thermofuse - 131 ° C	1
5	AA00 0665	Decal - High Temp Warning [TSB#013]	1
6	AE04 4063	Pickoff Pawl: pFA	7
7	B051 4146	Guide: Fusing Exit	2
8	B051 4108	Front Cover - Fusing	1
9	G070 4148	Shaft Support Plate	1
10	B051 4101	Upper Cover - Fusing	1
11	G070 4106	Guide Plate - Fusing Exit	1
12	G070 4221	Fusing Belt Upper Stay	1
13	AA06 9263	Stripper Pawl Spring	7
14	G070 4132	Front Electrode Plate	1
15	G070 4135	Rear electrode Plate	1
16	G070 4141	Connecting Electrode Plate	1
17	B051 5424	Fusing Unit Harness	1
18	G070 4143	Rear Pressure Terminal Electrode	1
19	G070 4130	Fusing Lower Cover	1
20	5206 2684	Shoulder Screw - M3	1
21	G070 4138	Absorber - Lower Fusing Cover	1
22	G070 4136	Spring Plate - Front Fusing Cover	1
23	G070 4137	Spring Plate - Rear Fusing Cover	1
24	B051 4149	Guide: Fusing Exit: Auxiliary: Both Ends	1
25	G070 4157	Absorber - Lower Center	1
26	G070 4159	Absorber - Lower Front	1
27	G070 4158	Absorber - Lower Rear	1
28	B051 4147	Guide: Fusing Exit: Auxiliary	1
29	B051 4148	Guide: Fusing Exit: Both Ends	1

Index No.	Part No.	Description	Q'ty Per Assembly
101	0720 0040E	Retaining Ring - M4	
102	0954 3008B	Philips Screw - M3x8	
103	0451 3006B	Tapping Screw - M3x6	
104	0451 3008H	Tapping Screw - M3x8	

CÓPIA NÃO CONTROLADA

16.FUSING UNIT 2 (B156/B220)

CÓPIA NÃO CONTROLADA



CÓPIA NÃO CONTROLADA

16.FUSING UNIT 2 (B156/B220)

CÓPIA NÃO CONTROLADA

Rev. 03/30/2006

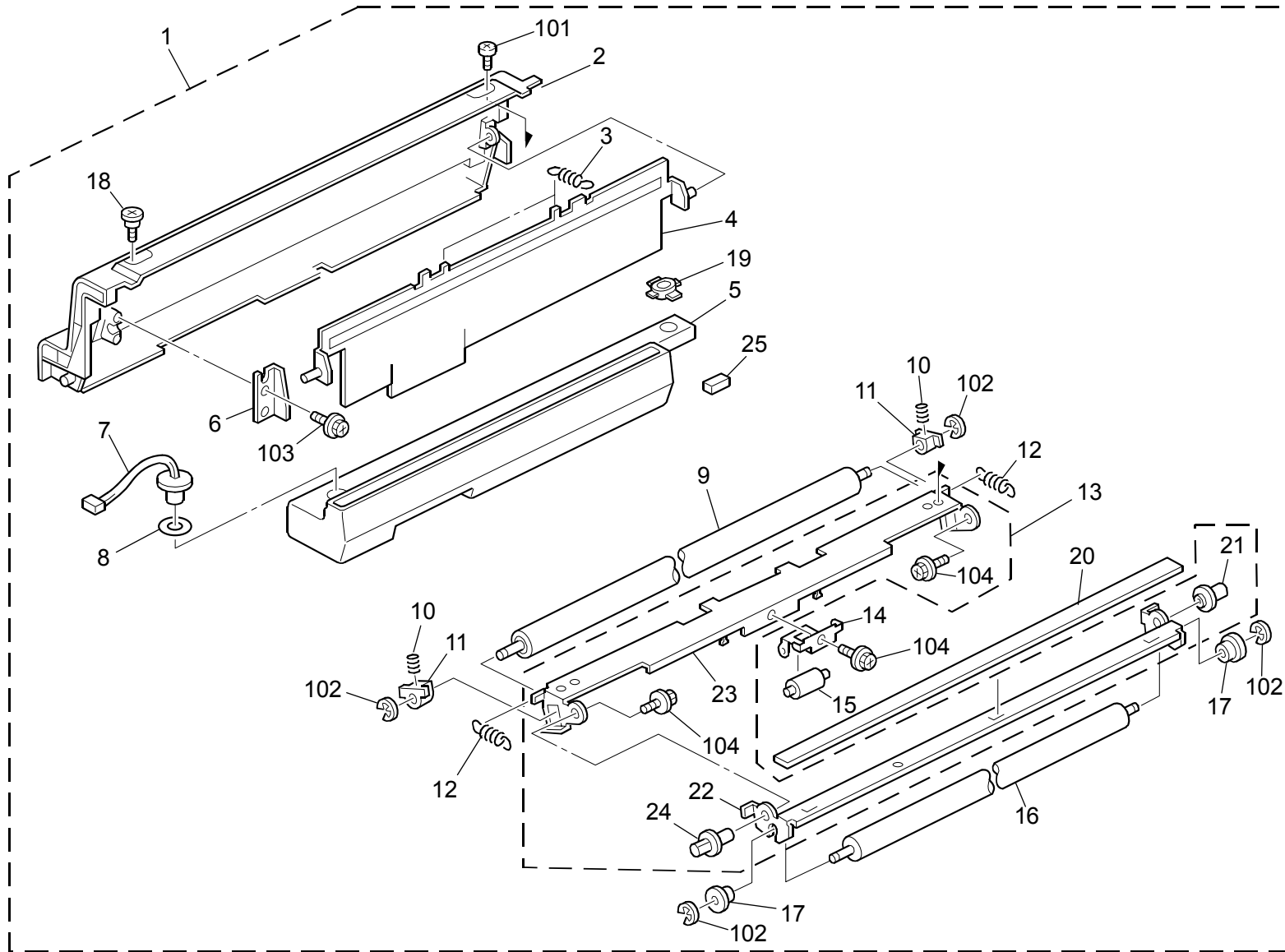
Index No.	Part No.	Description	Q'ty Per Assembly
*	B154 4026	Fusing Unit - 120V	1
*	B154 4033	Fusing Unit - 230V [TSB#013]	1
1	G070 4051	Thermistor Holder	1
2	AX44 0233	Heater:120V:770W	1
2	AX44 0234	Heater:230V:770W	1
3	AX43 0148	Heater:120V:350W	1
3	AX43 0149	Heater:230V:350W	1
4	AW10 0061	Pressure Thermistor	1
5	AW02 0164	Photointerruptor:Oil End Sensor	1
6	G070 4147	Fusing Knob	1
7	AA06 3865	Spring - Oiling Roller	2
8	AE03 1054	Bushing -4x8x8.5	1
9	AA06 3865	Spring - Oiling Roller	2
10	AE03 1055	Bushing -4x9x13	2
11	G070 4087	Rubber Shield - 4x8x3	1
12	AB01 1436	Gear - 36Z	1
13	AA06 0875	Belt Tension Spring	2
14	G070 4116	Belt Tension Lever	2
15	G070 4114	Front Stopper - Oil Supply Unit	1
16	G070 4118	Sensor Holder	1
17	5206 2684	Shoulder Screw - M3	1
18	G070 4152	Rear Stopper - Oil Supply Unit	1
19	AE03 0062	Ball Bearing:20x32x7	2
20	AE02 0132	Pressure Roller - Assembly	1
21	AB01 1435	Gear - 47Z	1
22	AB01 7570	Idler Gear - 28Z/35Z	1
23	G070 4052	Fusing Entrance Guide Plate	1
24	G070 4050	Lower Pressure Roller Stay	1
25	AA06 0876	Tension Spring	2
26	G070 4073	Front Oil Tank Absorber	1
27	G070 4069	Oil Tank - Pressure Sub-unit	1
28	G070 4063	Rear Oil Pan - Pressure Unit	1
29	G070 4066	Rear Oil Absorber	1
30	G070 4064	Spring Plate - Pressure Unit	2
31	G070 4062	Front Oil Pan - Pressure Unit	1

Index No.	Part No.	Description	Q'ty Per Assembly
32	G070 4065	Front Oil Absorber	1
33	G070 4074	Oil Tank Absorber - Long	1
34	AE04 0048	Oil Supply Roller - Oil Supply	1
35	AE04 0047	Oil Apply Roller - Oil Supply	1
36	G070 4120	Heat Insulation - Sensor Holder	1
37	G070 4072	Front Oil Tank Absorber	1
38	B051 4138	Roller Clutch - 4mm	1
39	B154 4119	Cleaning Roller:Pressure Sub-unit	1
40	B051 4116	Bushing - Cleaning Roller	2
41	B051 4118	Torsion Spring - Rear	1
42	B051 4120	Torsion Spring - Front	1
43	B154 4116	Side Plate:Pressure Sub-unit:Front:Peen	1
44	B154 4107	Side Plate:Pressure Sub-unit:Rear:Peen	1
45	G070 4153	Stopper Spring	2
46	B154 4009	Fusing Unit:Fusing Belt:Ass'y	1
101	0954 3010B	Philips Screw - M3x10	
102	0725 0100E	Retaining Ring C - M10	
103	0802 5279	Tapping Screw With Washer - M3x8	
104	0720 0030E	Retaining Ring - M3	
105	0954 3008B	Philips Screw - M3x8	
106	0451 3006B	Tapping Screw - M3x6	
107	0450 3008B	Tapping Screw - M3x8	

CÓPIA NÃO CONTROLADA

17.FUSING UNIT 3 (B156/B220)

CÓPIA NÃO CONTROLADA



CÓPIA NÃO CONTROLADA

17.FUSING UNIT 3 (B156/B220)

CÓPIA NÃO CONTROLADA

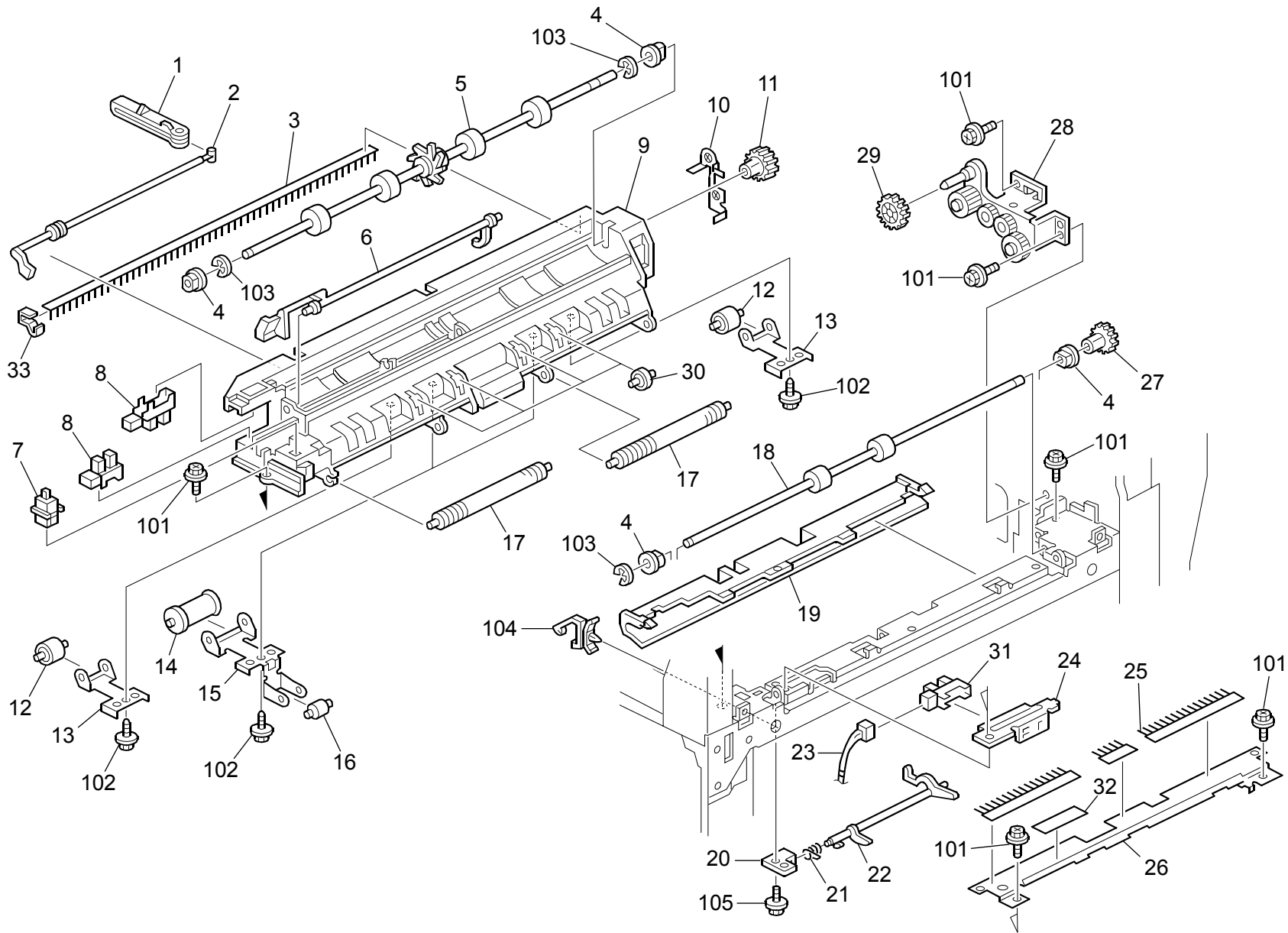
Index No.	Part No.	Description	Q'ty Per Assembly
1	B154 4300	Oil Application Unit:Ass'y	1
2	B051 4301	Cover - Oil Supply Unit	1
3	AA06 0915	Pressure Spring	2
4	B154 4302	Felt Wick:Ass'y	1
5	B051 4305	Oil Tank - Oil Application Unit	1
6	G070 4212	Holder - Oil Tank	1
7	B154 4306	Positioning Sensor - Overflow	1
8	B051 4307	Dual Faces Tepe	1
9	G070 4217	Sponge Roller	1
10	AA06 3882	Spring	2
11	G070 4219	Bushing - Sponge Roller	2
12	AA06 0880	Spring - Fusing Cleaning Roller	2
13	B154 4320	Bracket Assembly	1
14	B051 4309	Spring Plate - Tension Roller	1
15	G070 4231	Roller - Oil Supply Roller	1
16	B154 4218	Fusing Cleaning Roller:DIA10	1
17	G070 4220	Bushing - 4x6x5.5	2
18	5206 2684	Shoulder Screw - M3	1
19	B051 4319	Oil Tank Guide	1
20	G070 4225	Cleaning Roller Cover	1
21	AA14 9957	Bracket Pin - Rear	1
22	G070 4216	Bracket - Fusing Cleaning Roller	1
23	G070 4204	Bracket - Fusing Sponge Roller	1
24	AA14 9956	Bracket Pin - Front	1
25	B051 4311	Spacer:Oil Tank	1

Index No.	Part No.	Description	Q'ty Per Assembly
101	0353 0040B	Screw - M3X4	
102	0720 0030E	Retaining Ring - M3	
103	0450 3008B	Tapping Screw - M3x8	
104	0451 3006B	Tapping Screw - M3x6	

CÓPIA NÃO CONTROLADA

18.PAPER EXIT (B156/B220)

CÓPIA NÃO CONTROLADA



CÓPIA NÃO CONTROLADA

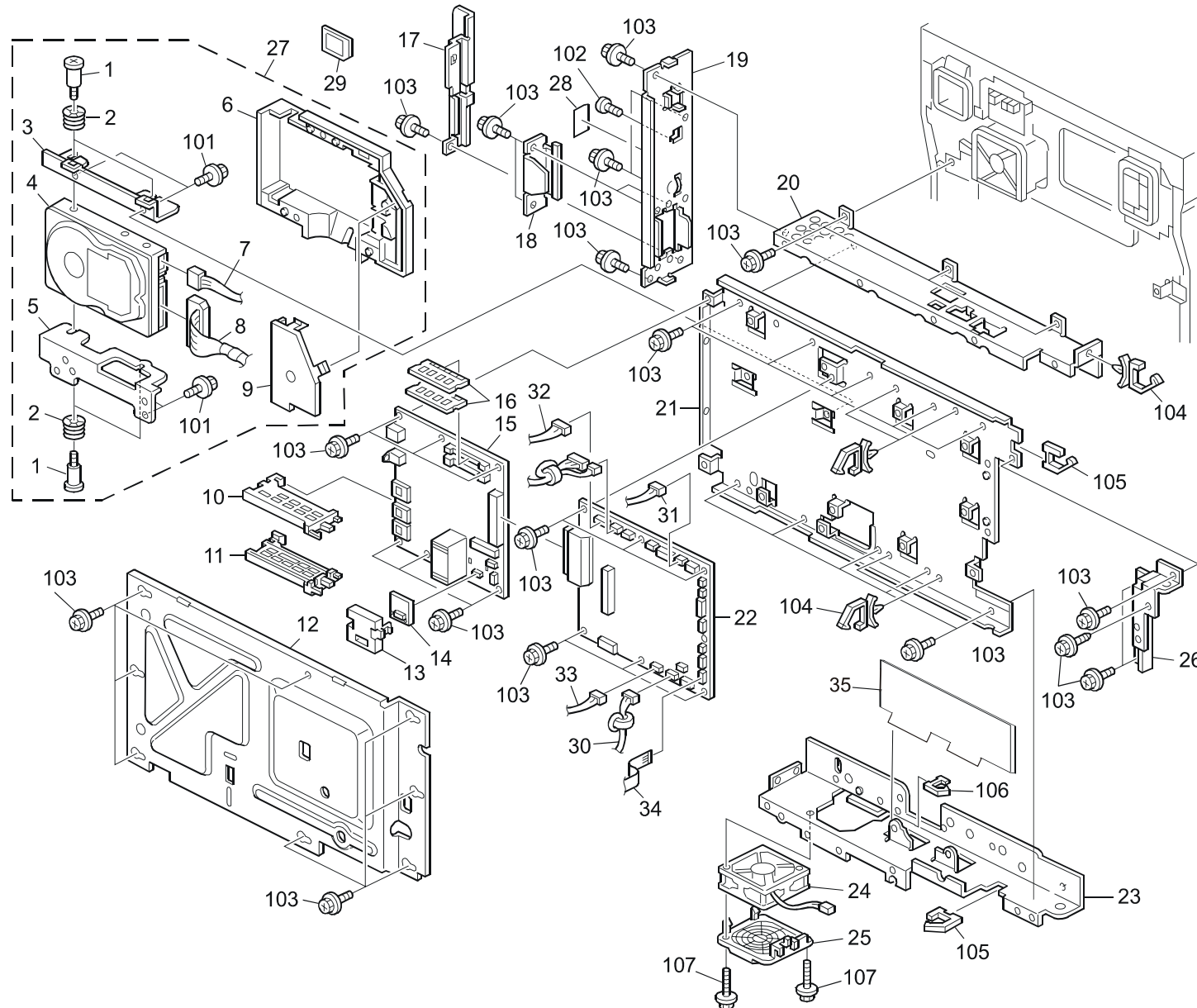
18.PAPER EXIT (B156/B220)

CÓPIA NÃO CONTROLADA

Index No.	Part No.	Description	Q'ty Per Assembly
1	A267 4478	Feeler - Paper Overflow	1
2	G070 4472	Overflow Shaft	1
3	AA12 0103	Discharge Brush	1
4	AA08 2101	Bushing - 6x10x6	4
5	AF02 0545	Transport Exit Roller	1
6	A267 4476	Feeler - Paper Feed Sensor	1
7	AW50 0023	Push Switch	1
8	AW02 0145	Photointerruptor:Flat	2
9	G070 4455	Exit Guide Plate	1
10	G070 4458	Edit Grounding Plate	1
11	AB01 1229	Gear - 19Z	1
12	AF04 0567	Tension Roller	2
13	G070 4466	Spring Plate - Outer Tension Roller	2
14	AF04 0566	Tension Roller	2
15	G070 4461	Spring Plate - Tension Roller	2
16	G047 4785	Idle Roller	2
17	G070 4459	Roller - 9mm	2
18	AF02 0624	Fusing Exit Roller	1
19	G070 4481	Guide Plate - Fusing Exit	1
20	G070 4477	Bracket - Fusing Exit Feeler	1
21	G070 4478	Spring - Fusing Exit Feeler	1
22	G070 4476	Fusing Exit Feeler	1
23	B051 5403	Harness:Fusing Exit:Connecting	1
24	G070 4486	Sensor Bracket - Fusing Exit	1
25	AA12 0113	Discharge Brush	1
26	G070 4492	Grounding Plate - Fusing Exit	1
27	AB01 1230	Gear - 14Z	1
28	B154 4920	Bracket:Drive:Exit	1
29	AB01 1425	Gear - 27Z	1
30	AF02 2112	Driven Roller	4
31	AW02 0160	Paper Feed Sensor	1
32	AA00 0301	Decal Warning (High Temperature)	1
33	G070 4462	Clip:Discharge Brush	1

Index No.	Part No.	Description	Q'ty Per Assembly
101	0451 3006B	Tapping Screw - M3x6	
102	0450 3006B	Tapping Screw - M3x6	
103	0720 0040E	Retaining Ring - M4	
104	1105 0511	Harness Clamp - LWS-0306ZC	
105	0802 5276	Tapping Screw With Washer - M3x6	

CÓPIA NÃO CONTROLADA



19.ELECTRICAL SECTION 1 (B156/B220)

CÓPIA NÃO CONTROLADA

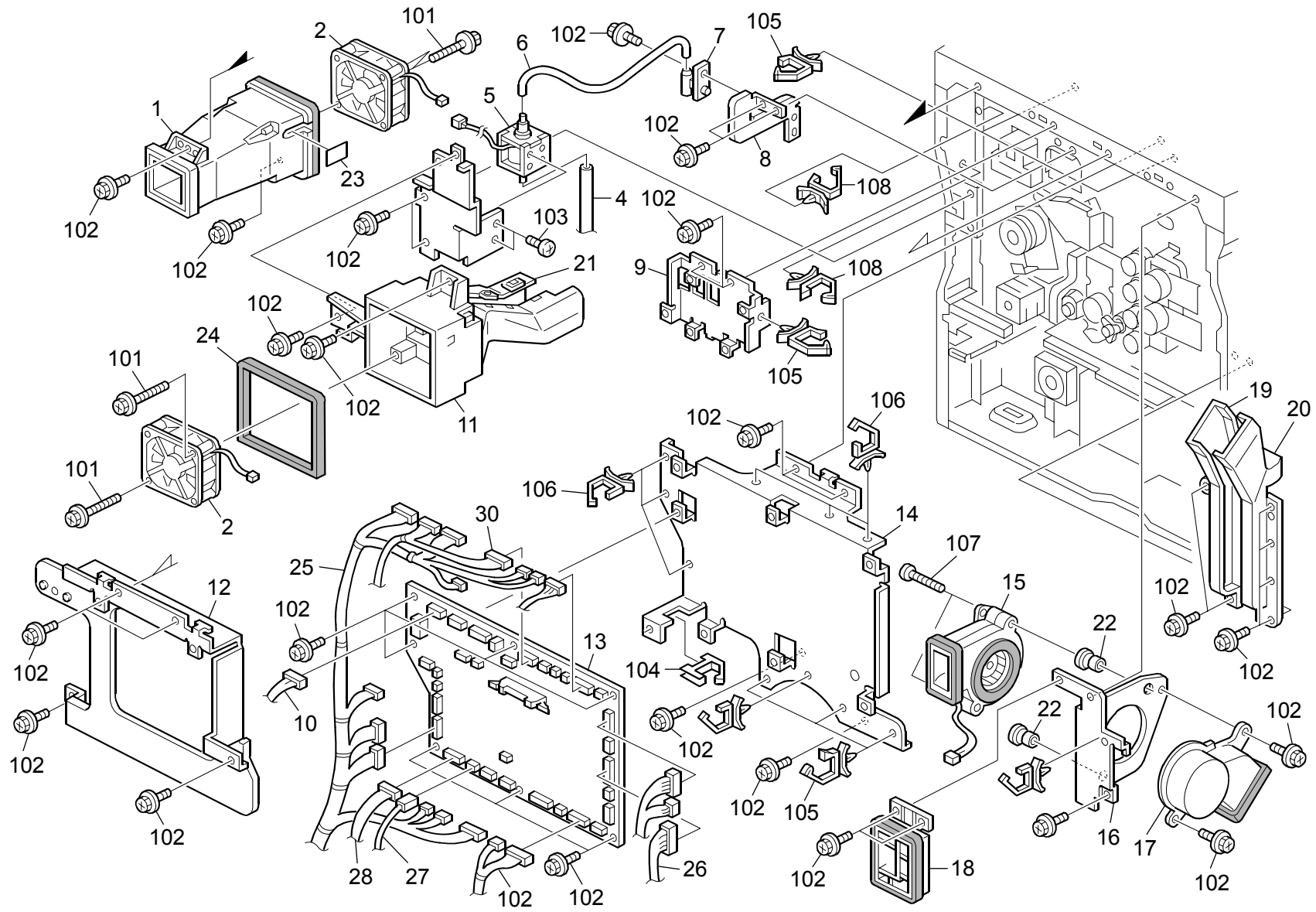
Rev. 04/14/2006

Index No.	Part No.	Description	Q'ty Per Assembly
1	AA14 3499	Stepped Screw	4
2	AA16 1125	Rubber Cushion	4
3	B753 5880	Bracket: HDD: Upper	1
4	B514 5980	HDD: Hitachi: 40GB: Pathfinder	1
5	B753 5881	Bracket: HDD: Lower	1
6	B753 5882	Cover: HDD: Large	1
7	B753 5952	Harness: HDD: Power Source: Ass'y	1
8	B753 5955	Harness: IDE: HDD: Ass'y	1
9	B753 5883	Cover: HDD: Small	1
10	B070 5671	Left Rail	1
11	B070 5670	Right Rail	1
12	B154 5855	Cover: Control Unit	1
13	G395 5510	Cover: NOVITA2 [TSB#003]	1
14	B156 9590	NV-RAM - Zero Counter [TSB#003]	1
15	B154 5250	Controller Board - B156 [TSB#003]	1
15	B220 5250	Controller Board - B220 [TSB#003]	1
16	B585 5030	PCB: DDR-DIMM:256MB:Ass'y	1
16	G108 5020	PCB: DDR-DIMM:512MB	1
17	B154 5859	Panel: SD-Card	1
18	B154 5869	Panel: Interface:Secc (RAI)	2
18	B101 5993	Interface Panel O/O (GOTENBA)	2
19	B154 5825	Cover: Application: Sub-Ass'y	1
20	B154 5852	Bracket: Control Unit: Upper	1
21	B154 5851	Bracket: Control Unit	1
22	B154 5210	PCB: BICU	1
23	B154 5853	Bracket: Control Unit: Lower	1
24	AX64 0166	Fan: Axial: MM80	1
25	B154 5861	Guard: Fan	1
26	B154 5854	Bracket: Control Unit: Left	1
27	B753 5010	HDD: Ass'y	1
28	AA00 3039	Decal: Caption: Interface: T-C	1
29	B157 5561	Sd-card: T-C1: P/S: EXP: Ass'y	1
30	B154 5431	Harness: Sensor: Front: 2 [TSB#013]	1
31	B154 5428	Harness:DC: Fusing: Machine or Copier	1
32	B154 5449	Harness: BICU: SCN	1

Index No.	Part No.	Description	Q'ty Per Assembly
33	B154 5477	Harness: BICU: ID	1
34	B154 5425	Harness: FFC: LD	1
35	B154 5881	BICU Harness Protect Plate Mylar [TSB#008R]	1
101	0801 0230	Screw: #6-32UNCx4	
102	0353 0060N	Philips Pan Head Bind Screw - M3x6	
103	0451 3006N	Tapping Screw - 3x6	
104	1105 0488	Harness Clamp	
105	1105 0518	Edge Saddle - LES-1010	
106	1105 0522	Edge Saddle - LES0510	
107	0360 3030N	Screw: M3x30	

CÓPIA NÃO CONTROLADA

20.ELECTRICAL SECTION 2 (B156/B220) CÓPIA NÃO CONTROLADA



CÓPIA NÃO CONTROLADA

20.ELECTRICAL SECTION 2 (B156/B220)

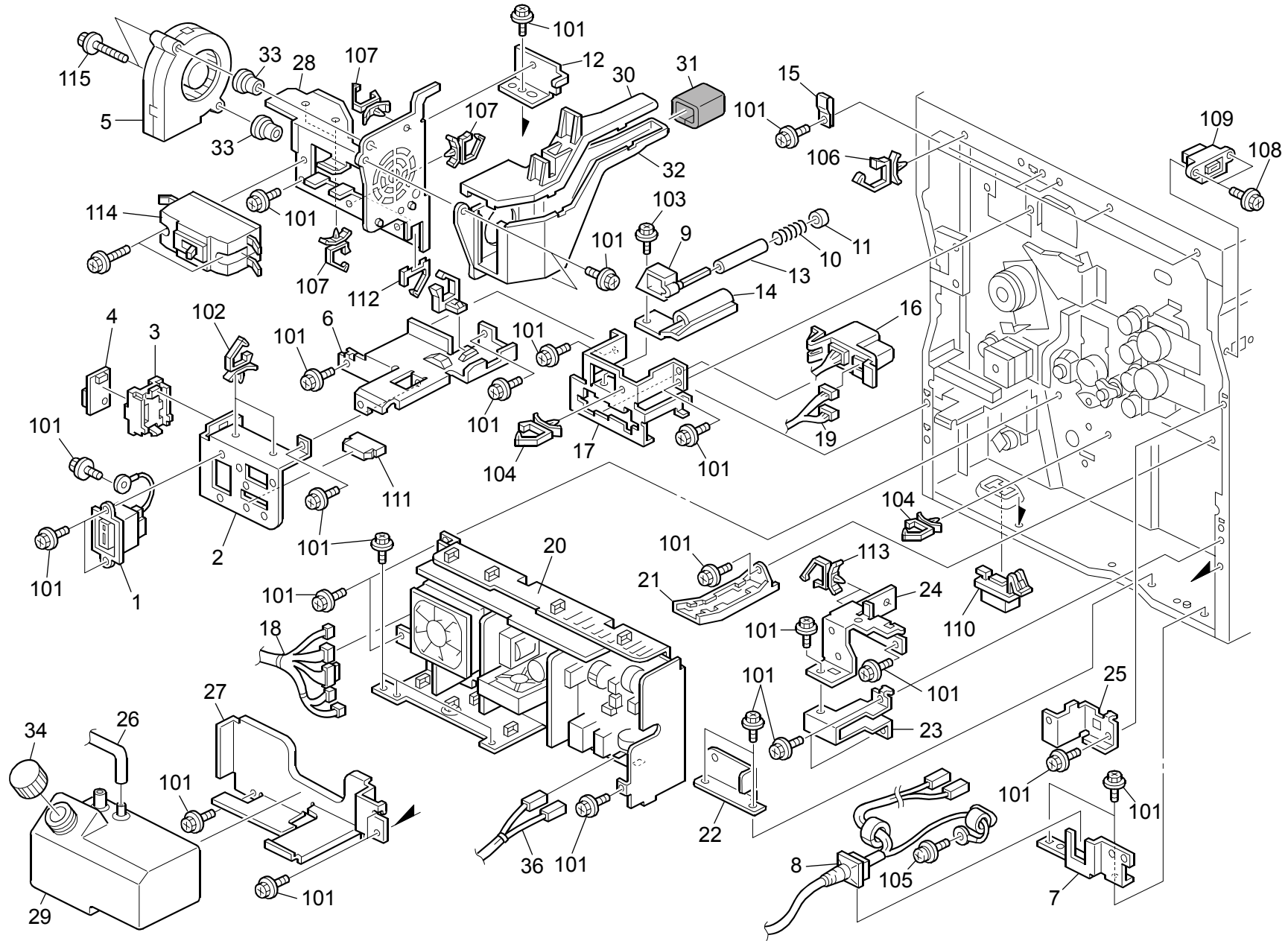
CÓPIA NÃO CONTROLADA

Index No.	Part No.	Description	Q'ty Per Assembly
1	B051 5970	Cooling Duct - Scanner Assembly	1
2	AX64 0166	Fan:Axial:Mm80	2
3	B154 5871	Stay:Guide Plate:Upper	1
4	B154 4354	Tube:Pump-up	1
5	B154 4358	Pump	1
6	B051 4355	Oil Supply Tube	1
7	B051 4360	Silicone Oil Nozzle	1
8	B051 4359	Nozzle Bracket	1
9	B154 5864	Bracket:CSS	1
10	B154 5433	Harness:IOB:Gate	1
11	B154 1296	Duct:Fan:Fusing:1	1
12	B154 5873	Stay:Guide Plate:Middle	1
13	B154 5120	PCB:IOB	1
14	B154 5862	Bracket:Base:I/O	1
15	B154 5845	Fan:Sirocco:DC24V:Ass'y	1
16	B154 5898	Bracket:Duct:Development:Exhaust	1
17	B154 5846	Duct:Development:Exhaust:Front:Ass'y	1
18	B154 5847	Duct:Development:Exhaust:Rear:Ass'y	1
19	B051 5846	Cooling Duct - Right Development	1
20	B051 5845	Cooling Duct - Left Development	1
21	B154 1297	Duct:Fan:Fusing:2	1
22	B154 5899	Nut:Damping Insulation Rubber:M4	2
23	B051 5965	Seal - Duct	1
24	B051 5964	Shield:Duct:Exhaust:Fusing	1
25	B154 5402	Harness:IOB:Main - 120V	1
25	B154 5403	Harness:IOB:Main - 230V	1
26	B154 5406	Harness:BICU-IOB	1
27	B154 5408	Harness:IOB:Vertical Transport:24VS	1
28	B154 5411	Harness:IOB:Intermediate Transfer	1
29	B154 5418	Harness:IOB:Development:Fan	1
30	B154 5430	Harness:Manual Feed:Machine or Copier	1

Index No.	Part No.	Description	Q'ty Per Assembly
101	0450 4035N	Tapping Screw:4x35	
102	0451 3006N	Tapping Screw - 3x6	
103	0353 0040N	Screw - M3X4	
104	1105 0521	Clamp - LES-1017	
105	1105 0487	Harness Clamp	
106	1105 0488	Harness Clamp	
107	0354 0450N	Screw:M4x45	
108	1105 0516	Clamp	

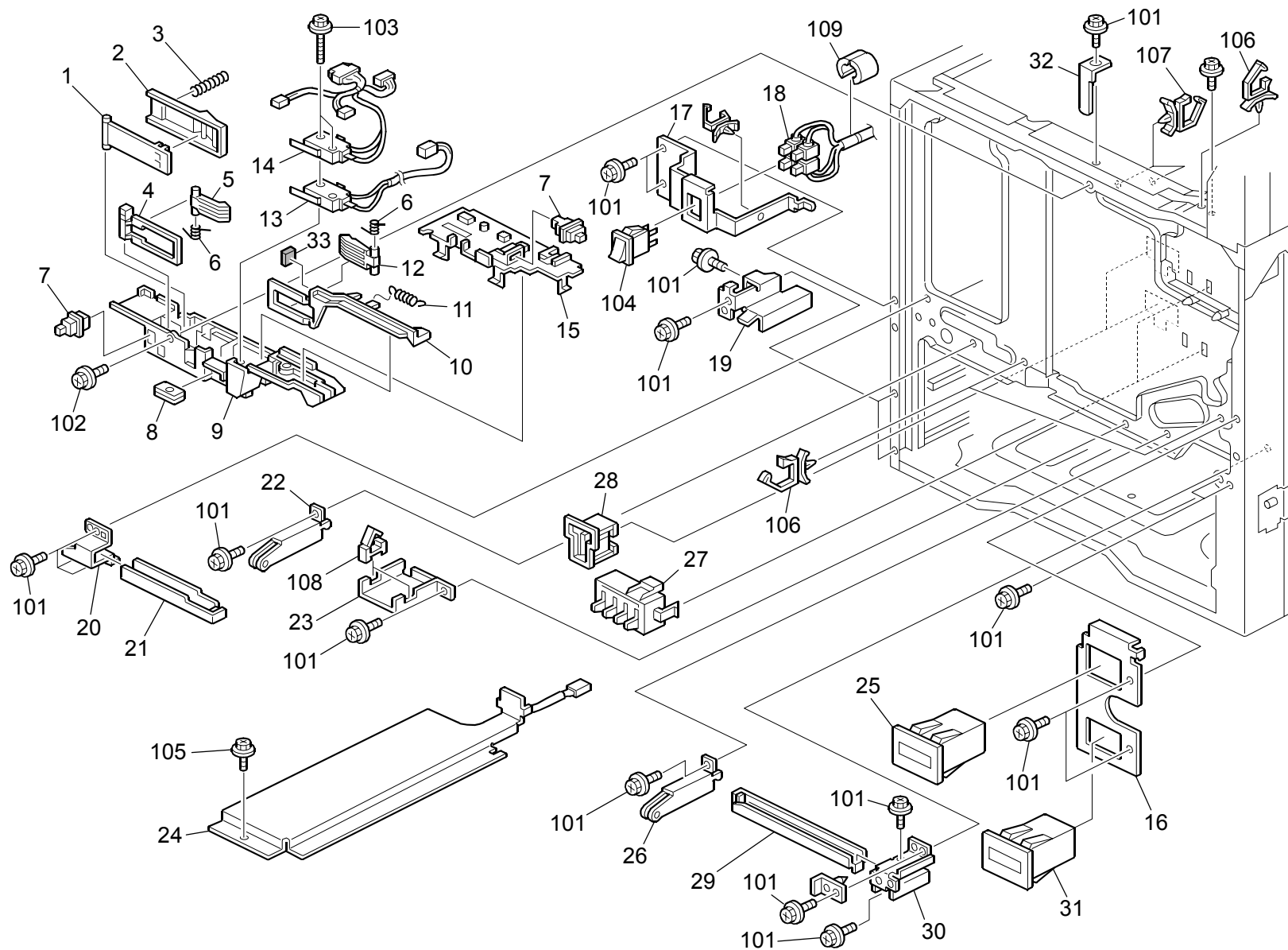
CÓPIA NÃO CONTROLADA

21.ELECTRICAL SECTION 3 (B156/B220) CÓPIA NÃO CONTROLADA



CÓPIA NÃO CONTROLADA

22.ELECTRICAL SECTION 4 (B156/B220) CÓPIA NÃO CONTROLADA



CÓPIA NÃO CONTROLADA

22.ELECTRICAL SECTION 4 (B156/B220)

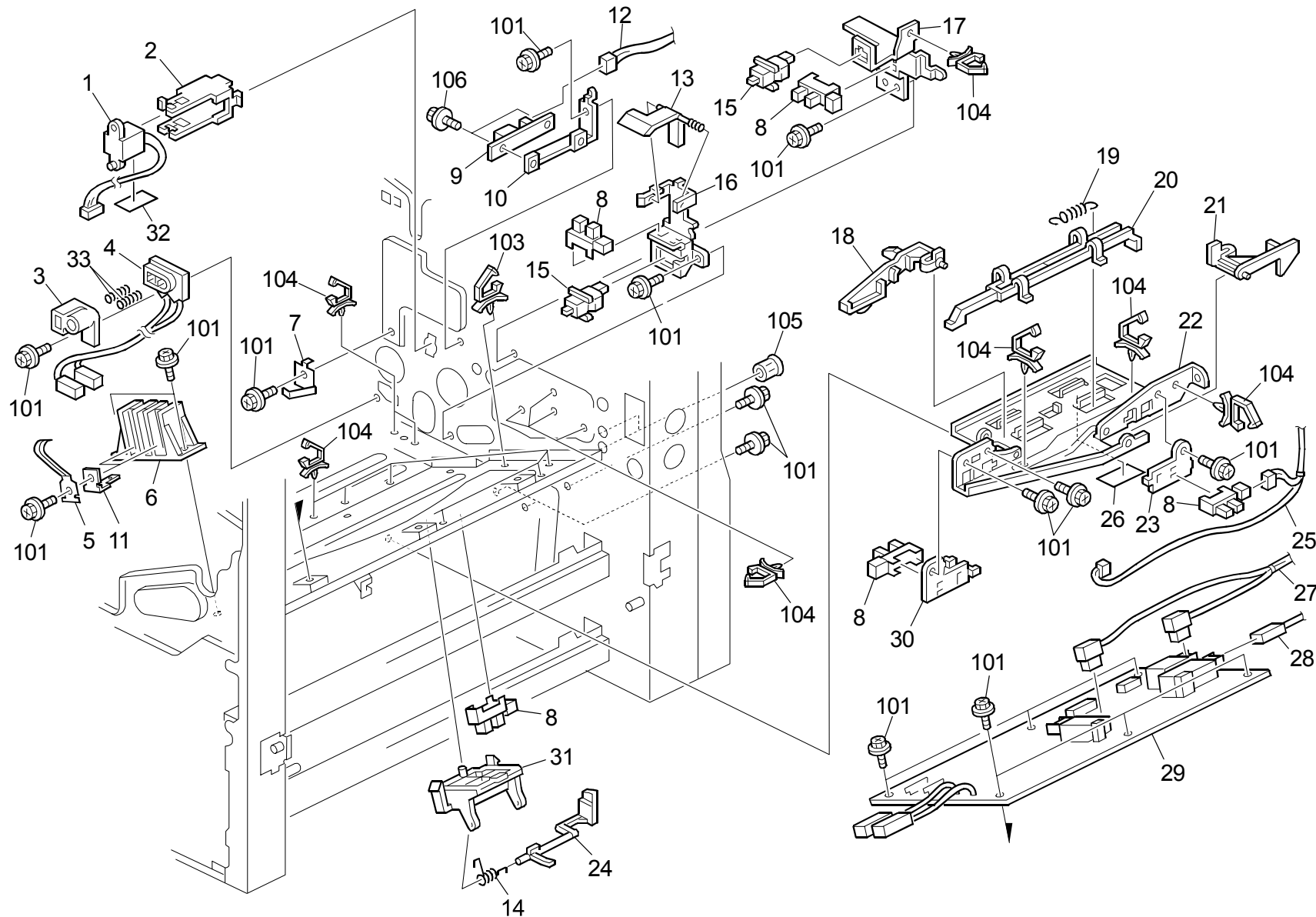
CÓPIA NÃO CONTROLADA

Rev. 03/30/2006

Index No.	Part No.	Description	Q'ty Per Assembly
1	G070 5573	Rear Link Lever	1
2	G070 5574	Link Lever - Rear Right	1
3	G070 5575	Compression Spring	1
4	G070 5564	Link Outer Lever	1
5	G070 5570	Link Middle Lever - Left	1
6	G070 5566	Right Tension Spring	2
7	AW50 0023	Push Switch	2
8	AG07 0514	Magnet Catch:Ass'y	1
9	G070 5561	Lower Case - Safety Switch	1
10	G070 5568	Right Link - Safety Switch	1
11	G070 5565	Right Tension Spring	1
12	G070 5563	Link Middle Lever	1
13	B154 5415	Harness:I0B:Door Switch:24VS	1
14	B154 5432	Harness: Door Switch: Unit: 2 [TSB#013]	1
15	G070 5562	Upper Case - Safety Switch	1
16	B051 5860	Bracket - Total Counter	1
17	B051 5861	Bracket - Main Switch	1
18	B154 5464	Harness:Main Switch	1
19	B051 1111	Rail - Left Front	1
20	B051 1079	Grip Bracket - Left Front	1
21	B154 1058	Grip	1
22	G070 1075	Left Cover Hinge	1
23	G070 2335	Front Lower Guide	1
24	B051 2547	Heater Assembly (120V)	1
24	B051 2548	Heater Assembly (230V)	1
25	AX31 0049	Total Counter:7FIG:24V (NA only)	1
26	G070 1074	Cover Hinge	1
27	AW50 0024	Push Switch	1
28	G060 2801	Holder - Paper Tray	1
29	B154 1059	Grip:Right	1
30	B051 1132	Grip Bracket - Front Right	1
31	AX31 0045	Total Counter:7FIG:24V	1
32	B051 1128	Stopper - Link	1
33	G070 5576	Cushion - Safety Switch	1

Index No.	Part No.	Description	Q'ty Per Assembly
101	0451 3006B	Tapping Screw - M3x6	
102	0451 3010H	Tapping Screw - 3x10	
103	0450 3030B	Tapping Screw - M3x30	
104	1204 2477	Rocker Switch - AC250V 10A	
105	0950 3006B	Tapping Screw - M3x6	
106	1105 0511	Harness Clamp - LWS-0306ZC	
107	1105 0516	Clamp	
108	1105 0522	Edge Saddle - LES0510	

CÓPIA NÃO CONTROLADA



23.ELECTRICAL SECTION 5 (B156/B220)

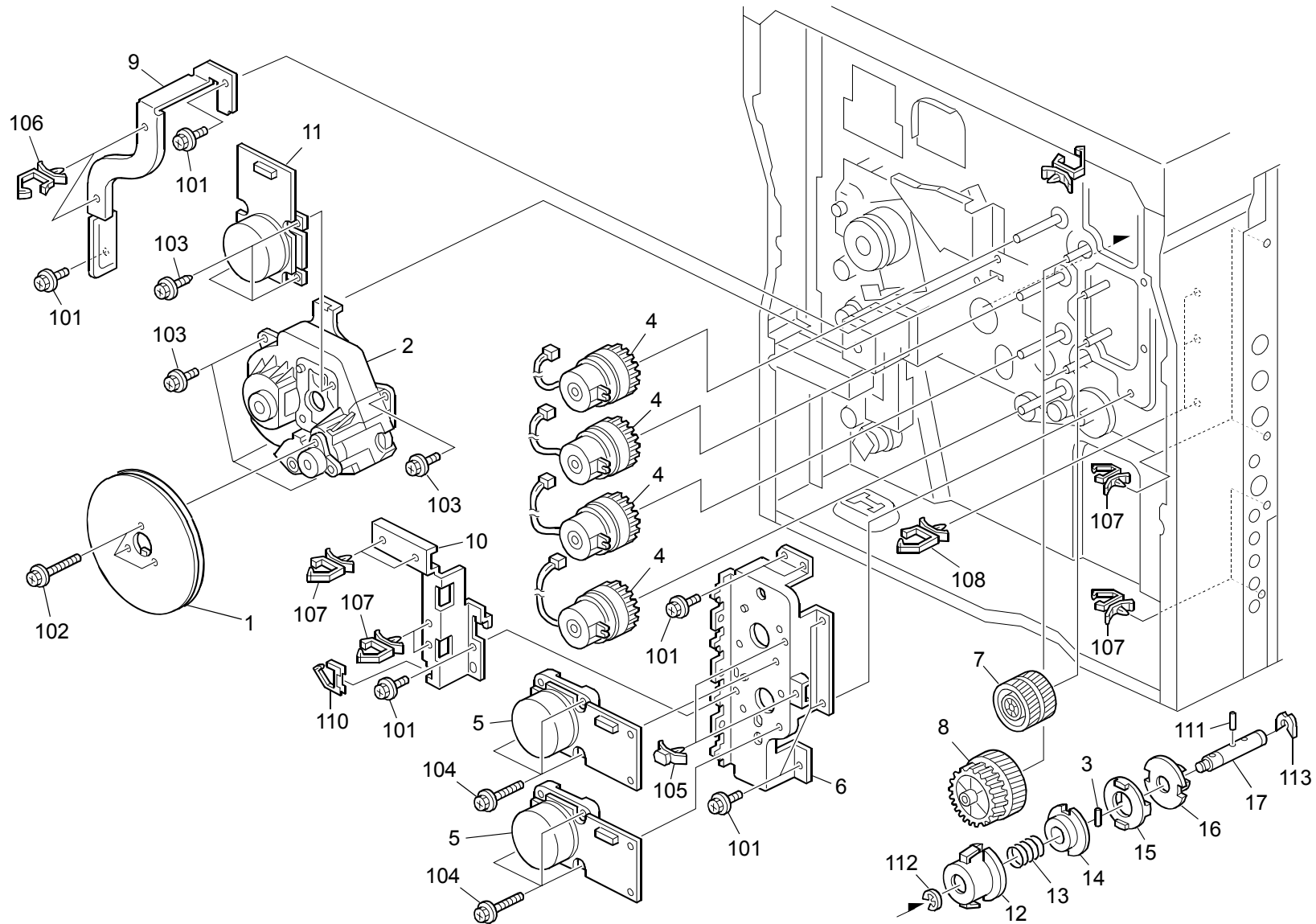
CÓPIA NÃO CONTROLADA

Rev. 07/25/2006

Index No.	Part No.	Description	Q'ty Per Assembly
1	B154 5407	Harness: PPI: Discharge	1
2	G070 2118	Connector Holder	1
3	G070 2126	Terminal Holder	1
4	B154 2140	Terminal: Charge Corona	1
5	G070 6165	Terminal	1
6	G070 6166	Terminal Holder	1
7	G070 2336	PCU Grounding Plate	1
8	AW02 0145	Photointerruptor: Flat	6
9	AW01 0135	Positioning Sensor: Intermediate [TSB#019]	1
10	B154 6160	Bracket: Positioning Sensor [TSB#019]	1
11	G070 6406	Grounding Plate - Belt Cleaning	1
12	B154 5482	Harness: IOB: Connecting: Mark	1
13	G070 2096	Feeler	1
14	AA06 6633	Spring	1
15	AW50 0023	Push Switch	2
16	G070 2107	Waste Toner Bottle Bracket	1
17	G070 6407	Bracket - Waste Toner Sensor	1
18	G070 2646	Paper End Sensor Feeler	1
19	AA06 0866	Lever Spring	1
20	G070 2645	Release Lever	1
21	G070 2647	Feeler - Paper Volume Sensor	1
22	G070 2642	Paper End Sensor Bracket	1
23	G070 2644	Sensor Rear Bracket	1
24	G070 2638	Vertical Transport Feeler	1
25	B154 5409	Harness: PPI: Paper Feed	1
26	G070 2648	Seal - Plate	1
27	B154 5450	Harness: PPI: High Voltage Line: Discharge	1
28	B154 5451	Harness: PPI: High Voltage Line: T2	1
29	AZ30 0055	Power Pack: BCTCLD	1
30	G070 2643	Sensor Front Bracket	1
31	G070 2637	Feeler Holder - Vertical Transport	1
32	G070 2143	Connector Guide	1
33	G070 2138	Charge Spring	2
34			

Index No.	Part No.	Description	Q'ty Per Assembly
101	0451 3006B	Tapping Screw - M3x6	
102	0313 0100N	Pan Head Screw:M3x10	
103	1105 0487	Harness Clamp	
104	1105 0511	Harness Clamp - LWS-0306ZC	
105	1106 0241	Bushing - 6.7mm	
106	0451 3006N	Tapping Screw – 3x6 [TSB#019]	

CÓPIA NÃO CONTROLADA



24.DRIVE SECTION 1 (B156/B220)

CÓPIA NÃO CONTROLADA

Rev. 03/02/2006

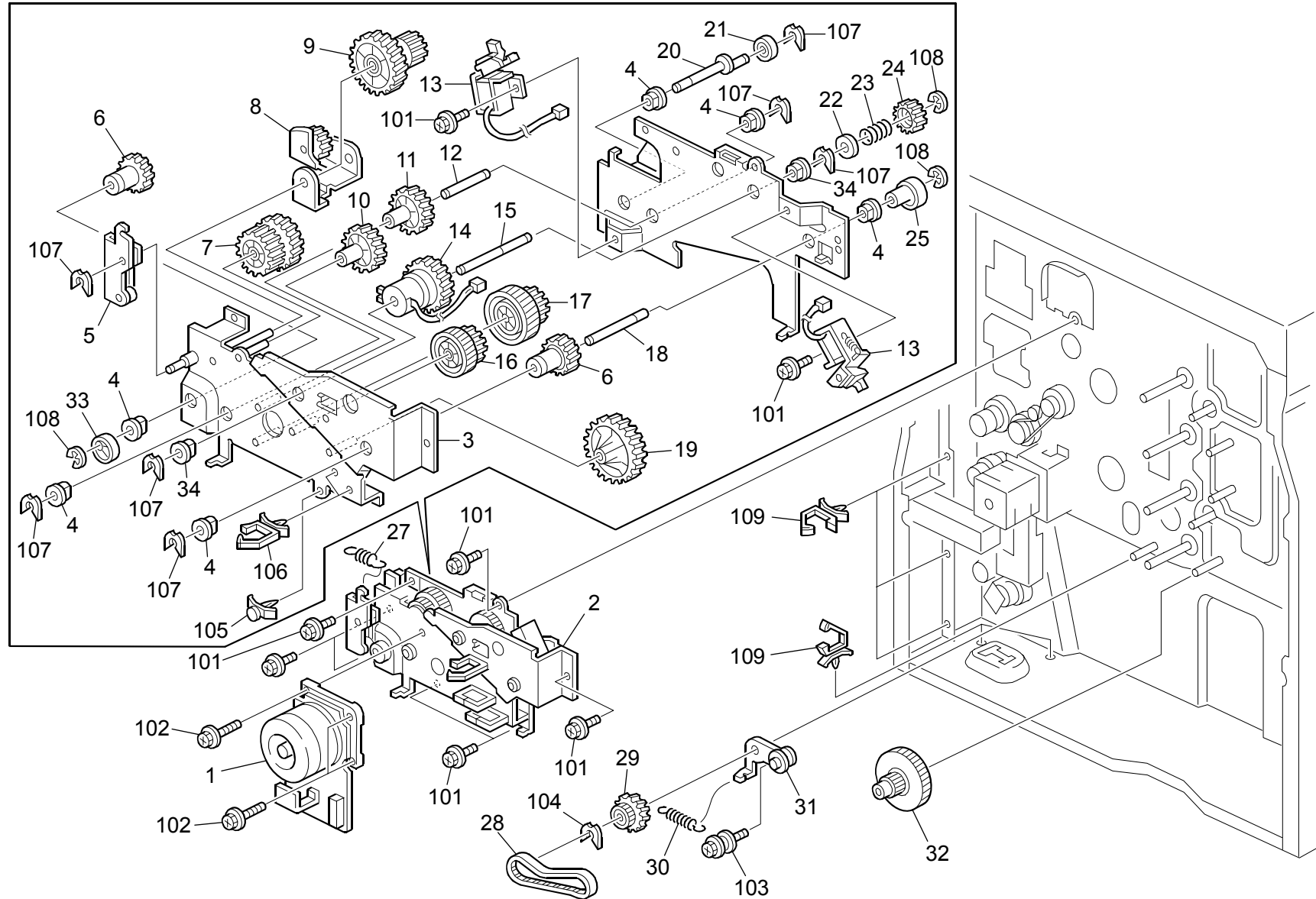
Index No.	Part No.	Description	Q'ty Per Assembly
1	B154 4771	Fly Wheel: MM140 Ass'y [TSB#011]	2
2	B154 4700	Drive Unit	1
3	G070 4728	Pin - Intermediate Transfer	1
4	AX21 0094	Magnetic Clutch: Development: BK	4
5	AX06 0291	Brushless Motor:26W: 9Z	2
6	B154 4611	Bracket: Drive: Development: Ass'y	1
7	AB01 0353	Idler Gear - 67Z	1
8	AB01 7565	Gear - 93Z/42Z	1
9	B154 5867	Guide Plate: Harness	1
10	B154 5866	Guide Plate: Harness: Development	1
11	AX06 0319	Brushless Motor: 8.8W:9Z	1
12	G070 4721	Ball Bearing	1
13	AA06 3632	Compression Spring: Joint	1
14	G070 4768	Inner Joint	1
15	G070 4767	Middle Joint	1
16	G070 4766	Outer Joint	1
17	AA14 9883	Shaft: Drive: Intermediate Transfer	1

Index No.	Part No.	Description	Q'ty Per Assembly
101	0451 3006N	Tapping Screw - 3x6	
102	0451 3010N	Tapping Screw: 3x10 [TSB#011]	
103	0450 3008N	Tapping Screw - M3x8	
104	0451 3010N	Tapping Screw: 3x10	
105	1106 0383	Supporter - P.C.B.	
106	1105 0488	Harness Clamp	
107	1105 0511	Harness Clamp - LWS-0306ZC	
108	1105 0487	Harness Clamp	
109	1105 0516	Clamp	
110	1105 0522	Edge Saddle - LES0510	
111	0623 0200E	Spring Pin - 3x20mm	
112	0720 0040E	Retaining Ring - M4	
113	0805 0088	Retaining Ring - M6	

CÓPIA NÃO CONTROLADA

25.DRIVE SECTION 2 (B156/B220)

CÓPIA NÃO CONTROLADA



CÓPIA NÃO CONTROLADA

25.DRIVE SECTION 2 (B156/B220)

CÓPIA NÃO CONTROLADA

Index No.	Part No.	Description	Q'ty Per Assembly
1	AX06 0290	Brushless Motor:26W:10Z	1
2	B154 4801	Bracket:Transport:Ass'y	1
3	B154 4806	Bracket:Transport	1
4	AA08 2101	Bushing - 6x10x6	8
5	B154 4825	Bracket:Arm	1
6	AB04 0020	Spring Clutch - 27Z	2
7	G070 4850	Gear - 33Z/27Z	1
8	G070 4816	Bracket:Swivel:Ass'y	1
9	G070 4851	Gear - 25Z/36Z	1
10	AB01 4209	Gear - 30Z	1
11	AB01 4210	Gear - 33Z	1
12	AA14 9942	Shaft:Drive:Second	1
13	B154 4820	DC Solenoid:On-Off:Peen	1
14	AX20 0295	Magnetic Clutch:32Z:0.5N·M	1
15	AA14 9950	Shaft:Drive:Cleaning	1
16	AB01 7556	Gear - 24Z/53Z	1
17	AB01 7557	Gear - 65z/20z	1
18	AA14 9944	Shaft:On-Off:Cleaning	1
19	G070 4830	Gear - 49Z	1
20	B154 4832	Shaft:On-Off:Second	1
21	G070 4834	Cam Roller	1
22	G070 4823	Spring Spacer	1
23	AA06 3657	Pressure Spring	1
24	AB01 1479	Gear - 18Z	1
25	G070 4818	Cleaning On/Off Cam	1
27	AA06 0884	Tension Spring - Arm	1
28	AA04 3589	Timing Belt:S2M:T122	1
29	AB01 7718	Timing Pulley-24Z/31T	1
30	AA06 0868	Tension Spring	1
31	B154 4741	Tightener	1
32	AB01 7717	Gear-98Z/33T	1
33	G070 4829	On/Off Cam	1
34	AA08 2146	Bushing:6x10x4	2

Index No.	Part No.	Description	Q'ty Per Assembly
101	0451 3006B	Tapping Screw - M3x6	
102	0451 3010B	Tapping Screw - M3x10	
103	0802 5279	Tapping Screw With Washer - M3x8	
104	0805 0088	Retaining Ring - M6	
105	1106 0383	Supporter - P.C.B.	
106	1105 0487	Harness Clamp	
107	0805 0089	Retaining Ring - M4	
108	0720 0040E	Retaining Ring - M4	
109	1105 0516	Clamp	

CÓPIA NÃO CONTROLADA

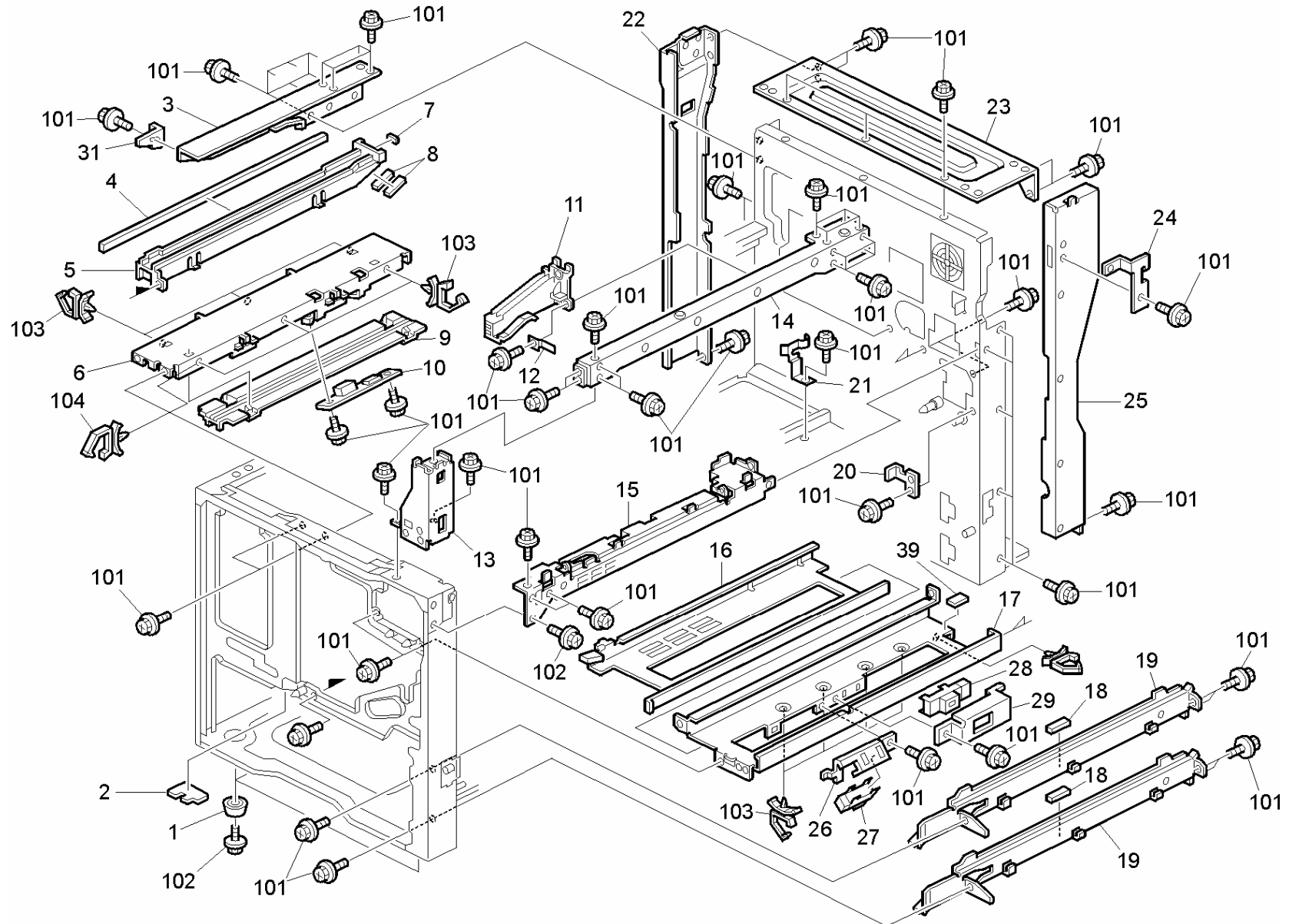
26.DRIVE SECTION 3 (B156/B220)

CÓPIA NÃO CONTROLADA

Index No.	Part No.	Description	Q'ty Per Assembly
1	B154 5870	Stay:Guide Plate:Upper:Machine or Copier	1
2	B154 1058	Grip	2
3	B051 1134	Grip Bracket - Rear Right	1
4	AB01 7560	Gear - 40Z/42Z	1
5	AX20 0284	Magnetic Clutch:0.4n M:Z32:Mm6	2
6	AX20 0283	Magnetic Clutch:0.4n M:Z46	2
7	AA08 2104	Bushing - 8x12x7	4
8	B051 4619	Bracket - Magnetic Clutch1	1
9	B154 4907	Shaft:Feed:Drive:Ass'y	2
10	B051 4620	Bracket - Magnetic Clutch2	1
11	AX20 0283	Magnetic Clutch:0.4n M:Z46	1
12	B051 1133	Grip Bracket - Rear Left	1
13	AB01 7601	Gear - 44Z/28Z	1
14	G070 6223	Transfer/Separation Receptacle	1
15	AA04 3567	Timing Belt - 120TS2M	1
16	AB01 7561	Gear - 33Z/30T	1
17	B154 4908	Tightener:Paper Feed:Ass'y	1
18	AA06 0869	Tension Spring	1
19	B154 4521	Stepper Motor:MM56:Ass'y	1
20	AA16 1164	Cushion:Stepper Motor	1
21	B051 1086	Gear Cover	1
22	B154 4615	Bracket:Drive:Paper Feed:Ass'y	1
23	AB01 7563	Gear - 58Z/37Z	1
24	AB01 7600	Pulley - 33T/32Z	2
25	AA04 3568	Timing Belt - 480TS3M	1
26	AA04 3941	Timing Belt - S3M103T	1
27	B154 5880	Guide:Harness:Cl	1

Index No.	Part No.	Description	Q'ty Per Assembly
101	0451 3006N	Tapping Screw - 3x6	
102	0802 5279	Tapping Screw With Washer - M3x8	
103	0805 0088	Retaining Ring - M6	
104	0451 4012N	Tapping Screw:4x12	
105	1105 0516	Clamp	
106	1105 0487	Harness Clamp	
107	1105 0511	Harness Clamp - LWS-0306ZC	

CÓPIA NÃO CONTROLADA



27.FRAME SECTION (B156/B220)

CÓPIA NÃO CONTROLADA

Rev. 03/30/2006

Index No.	Part No.	Description	Q'ty Per Assembly
1	G024 1007	Rubber Foot - 23mm	4
2	G070 1094	Lower Shield - Front Left	1
3	B051 1104	Arm - Scanner	1
4	G070 1092	Lower Shield - PCU Rail	1
5	G070 2372	PCU Lower Rail	1
6	B051 2360	Stay: Supporter: Upper: 2: Ass'y [TSB#013]	1
7	G070 1105	PCU Rail Seal - 9x19x5	1
8	G070 1104	PCU Rail Seal - 3x30x5	2
9	G070 2371	PCU Upper Rail	1
10	AW01 0097	Density Sensor	1
11	G070 6405	On/Off Rail	1
12	G070 6406	Grounding Plate - Belt Cleaning	1
13	B051 1076	Frame - Right Front Upper	1
14	B051 1102	Stay - Right Upper Assembly	1
15	B051 1101	Right Middle Stay	1
16	G070 4302	Fusing Unit Rail	1
17	B154 1076	Rail: Fusing: Machine or Copier	1
18	G070 2622	Right Rail Shoe	2
19	B154 2620	Rail: Right: Ass'y	2
20	G070 6227	Grounding Plate Bracket	1
21	G070 2135	Charge Ground Plate	1
22	B051 1091	Rear Left Frame - Lengthwise	1
23	B051 1093	Rear Upper Frame	1
24	B051 1126	Connector Gate Bracket	1
25	B051 1092	Rear Right Frame - Lengthwise	1
26	B154 6420	Bracket: Sensor: Intermediate Transfer Belt	1
27	AW02 0145	Photointerruptor: Flat	1
28	AW01 0061	Paper Feed Sensor: Fusing Exit	1
29	B154 4290	Cover: Sensor	1
30	B051 4370	Rail Spacer - 18.5x19.5x3.3	1
31	B154 1086	Stopper: Arm	1

Index No.	Part No.	Description	Q'ty Per Assembly
101	0451 3006B	Tapping Screw - M3x6	
102	0802 5276	Tapping Screw with Washer - M3x6	
103	1105 0511	Harness Clamp - LWS-0306ZC	
104	1105 0516	Clamp [TSB#013]	

CÓPIA NÃO CONTROLADA

CAPACITOR

SYMBOL NO.	INDEX NO.	SYMBOL NO.	INDEX NO.	SYMBOL NO.	INDEX NO.	SYMBOL NO.	INDEX NO.	SYMBOL NO.	INDEX NO.	SYMBOL NO.	INDEX NO.	SYMBOL NO.	INDEX NO.
---	---	C101	177	C111	172	C121	169	C131	177	C141	177	C151	174
C2	177	C102	177	C112	177	C122	169	C132	170	C142	177	C152	177
C3	177	---	---	---	---	C123	177	C133	177	C143	168	C153	187
C4	177	---	---	---	---	C124	187	C134	168	C144	171	C154	180
C5	181	---	---	C115	177	C125	187	C135	177	C145	177	C155	177
C6	196	C106	177	C116	177	C126	177	C136	177	C146	177	C156	187
C7	181	C107	181	C117	168	C127	174	C137	187	C147	171	C157	191
---	---	C108	177	C118	171	C128	177	C138	191	C148	171	C158	187
---	---	C109	177	C119	177	C129	168	C139	187	C149	177	C159	196
---	---	C110	177	C120	177	C130	177	C140	196	C150	177	C160	187

CAPACITOR

SYMBOL NO.	INDEX NO.	SYMBOL NO.	INDEX NO.	SYMBOL NO.	INDEX NO.	SYMBOL NO.	INDEX NO.	SYMBOL NO.	INDEX NO.	SYMBOL NO.	INDEX NO.	SYMBOL NO.	INDEX NO.
C161	177	C171	187	C181	189	C191	181	C201	177	C211	189	C221	195
C162	177	C172	184	C182	177	C192	181	C202	177	C212	188	C222	177
C163	174	C173	183	C183	177	C193	177	C203	190	C213	186	C223	177
C164	177	---	---	C184	177	C194	189	C204	187	C214	177	C224	177
C165	171	C175	259	C185	177	C195	186	C205	168	C215	175	C225	195
C166	171	C176	189	C186	192	C196	188	C206	177	C216	177	C226	195
C167	177	C177	186	C187	177	C197	186	C207	177	C217	177	C227	195
C168	177	C178	177	C188	193	C198	188	---	---	---	---	C228	195
C169	186	C179	177	C189	177	C199	188	C209	177	C219	256	C229	195
C170	177	C180	177	C190	181	C200	186	C210	177	C220	188	C230	195

CAPACITOR

SYMBOL NO.	INDEX NO.	SYMBOL NO.	INDEX NO.	SYMBOL NO.	INDEX NO.	SYMBOL NO.	INDEX NO.	SYMBOL NO.	INDEX NO.	SYMBOL NO.	INDEX NO.	SYMBOL NO.	INDEX NO.
C231	177	C241	186	C251	181	C261	186	C301	195	C311	186	C321	177
C232	187	C242	186	C252	195	C262	177	C302	195	C312	186	---	---
C233	177	C243	177	C253	195	C263	177	C303	195	C313	186	C323	181
C234	177	C244	190	C254	177	C264	177	---	---	C314	186	C324	185
C235	186	C245	187	C255	177	C265	187	---	---	C315	186	C325	185
C236	186	C246	175	---	---	C266	258	C306	195	C316	177	---	---
C237	186	C247	187	C257	195	C267	177	C307	186	C317	177	C327	256
C238	186	C248	177	---	---	C268	177	C308	186	C318	178	C328	256
C239	186	C249	188	C259	186	C269	181	C309	186	C319	177	C329	195
C240	186	C250	260	C260	186	---	---	C310	186	C320	188	C330	177

CAPACITOR

SYMBOL NO.	INDEX NO.	SYMBOL NO.	INDEX NO.	SYMBOL NO.	INDEX NO.	SYMBOL NO.	INDEX NO.	SYMBOL NO.	INDEX NO.	SYMBOL NO.	INDEX NO.	SYMBOL NO.	INDEX NO.
C331	177	C341	186	C351	177	C361	187	C371	187	---	---	C391	181
C332	177	C342	186	C352	195	C362	186	C372	190	---	---	C392	177
C333	177	C343	187	C353	195	C363	177	C373	190	---	---	C393	177
C334	186	C344	190	C354	195	C364	187	C374	187	C384	177	C394	177
C335	186	C345	187	C355	195	C365	187	C375	191	C385	177	C395	177
C336	186	C346	190	C356	177	C366	190	C376	190	C386	177	C396	187
C337	177	C347	187	---	---	C367	190	C377	187	C387	177	C397	177
---	---	C348	190	C358	177	C368	187	C378	187	C388	177	C398	187
C339	186	C349	186	C359	177	C369	181	C379	177	C389	177	C399	177
C340	186	C350	177	C360	177	C370	174	---	---	C390	181	C400	174

CAPACITOR

SYMBOL NO.	INDEX NO.	SYMBOL NO.	INDEX NO.	SYMBOL NO.	INDEX NO.	SYMBOL NO.	INDEX NO.	SYMBOL NO.	INDEX NO.	SYMBOL NO.	INDEX NO.	SYMBOL NO.	INDEX NO.
C401	177	C411	177	C421	187	C431	179	C441	176	C451	177	C461	187
C402	177	C412	187	C422	177	C432	187	C442	177	C452	173	C462	182
C403	187	C413	187	C423	177	C433	177	C443	177	C453	177	C463	191
C404	177	C414	177	C424	177	C434	194	C444	197	C454	187	C464	176
C405	177	C415	195	C425	174	C435	187	C445	187	C455	177	C465	257
C406	177	C416	177	C426	177	C436	177	C446	177	C456	177	C466	197
C407	187	C417	177	C427	177	C437	177	C447	177	C457	177	C467	197
C408	174	C418	187	C428	177	C438	177	C448	187	C458	187	C468	177
C409	177	C419	177	C429	177	C439	177	C449	187	C459	177	C469	177
C410	187	C420	174	C430	177	C440	191	C450	179	C460	177	C470	187

CAPACITOR

SYMBOL NO.	INDEX NO.	SYMBOL NO.	INDEX NO.	SYMBOL NO.	INDEX NO.	SYMBOL NO.	INDEX NO.	SYMBOL NO.	INDEX NO.	SYMBOL NO.	INDEX NO.	SYMBOL NO.	INDEX NO.
C471	177	C481	177	C491	176	C501	174	C511	187	C521	187	C531	212
C472	187	C482	174	C492	187	C502	187	C512	177	C522	177	C532	177
C473	174	C483	187	C493	177	C503	177	C513	187	C523	187	C533	187
C474	174	C484	177	C494	187	C504	177	C514	198	C524	174	C534	177
C475	177	C485	187	C495	177	C505	187	C515	177	C525	174	C535	187
C476	174	C486	177	C496	174	C506	177	---	---	C526	177	C536	174
C477	174	C487	174	C497	187	C507	186	C517	177	C527	187	C537	174
C478	186	C488	177	C498	177	C508	177	C518	187	C528	187	C538	177
C479	177	C489	187	C499	187	C509	187	C519	187	C529	177	C539	177
C480	186	C490	191	C500	177	C510	177	C520	177	C530	191	C540	177

CAPACITOR

SYMBOL NO.	INDEX NO.
C541	181
---	---
---	---
---	---
C545	181
C546	181
C547	177

CA

SYMBOL NO.	INDEX NO.
CA301	199
CA302	199

CONNECTOR

SYMBOL NO.	INDEX NO.
CN250	108
CN251	101
CN253	5
CN254	112
CN255	104
CN256	102
CN257	5
CN258	115
CN259	116
CN260	110

SYMBOL NO.	INDEX NO.
CN261	111
CN262	114
CN263	107
---	---
CN265	106
CN266	103
CN267	113
CN268	117
CN269	109
CN270	105

SYMBOL NO.	INDEX NO.
---	---
D102	126
D103	126
D104	126
D105	126
---	---
D107	128
D108	128
D109	128
---	---

SYMBOL NO.	INDEX NO.
D301	128
D302	128
D303	128
D304	128
D305	128
D306	128
D307	128
D308	128
D309	128
---	---

SYMBOL NO.	INDEX NO.
---	---
D312	126

FILTER

SYMBOL NO.	INDEX NO.
FIL111	200
FIL112	201

IC

SYMBOL NO.	INDEX NO.
IC1	137
---	---
IC3	3
IC4	6
IC5	4
IC6	154
IC7	137
IC8	151
IC9	152
IC10	1

SYMBOL NO.	INDEX NO.
IC11	132
IC12	149
IC13	142
IC14	132
IC15	142
IC16	160
IC17	141
IC18	132
IC19	149
IC20	159

SYMBOL NO.	INDEX NO.
IC21	147
IC22	141
IC23	148
---	---
---	---
IC26	143
IC27	130
IC28	131
IC29	2
IC30	138

SYMBOL NO.	INDEX NO.
IC31	135
IC32	140
IC33	140
IC34	140
IC35	140
IC36	143
IC37	157
---	---
---	---
---	---

SYMBOL NO.	INDEX NO.
IC501	136
---	---
IC503	138
IC504	133
IC505	139
IC506	140
IC507	140
IC508	140
IC509	140
IC510	144

SYMBOL NO.	INDEX NO.
IC511	150
IC512	145
IC513	130
---	---
---	---
IC516	261
IC517	134
---	---
IC519	146
IC520	137

FUSE

SYMBOL NO.	INDEX NO.
FU18	118

IC

SYMBOL NO.	INDEX NO.
IC530	138
IC531	138
IC532	138

JP

SYMBOL NO.	INDEX NO.
JP101	211
JP102	211
JP103	211
JP104	246
JP105	211
JP106	211
JP107	211
JP108	246
JP109	211
JP110	211

SYMBOL NO.	INDEX NO.
---	---
---	---
---	---
JP114	246
JP115	246
---	---
JP117	255
---	---
---	---
JP120	246

SYMBOL NO.	INDEX NO.
JP121	246
---	---
---	---
---	---
JP124	246
JP125	246
---	---
JP126	246
JP127	246
JP128	246
JP129	246
JP130	246

SYMBOL NO.	INDEX NO.
JP131	246
---	---
---	---
---	---
---	---
---	---
---	---
---	---
---	---
---	---
---	---

SYMBOL NO.	INDEX NO.
JP301	211
JP302	211
JP303	246
JP304	246
JP305	211
JP306	211
---	---
JP308	211
JP309	211
JP310	211

SYMBOL NO.	INDEX NO.
JP311	211
JP312	211
JP313	246
---	---
JP315	246
JP316	246
JP317	211
JP318	246
JP319	211
JP320	211

JP

SYMBOL NO.	INDEX NO.
---	---
---	---
JP323	246
---	---
---	---
---	---
---	---
JP327	211
---	---
---	---
---	---
JP330	211

SYMBOL NO.	INDEX NO.
JP331	246
---	---
JP333	246
JP334	211
JP335	246
JP336	246
JP337	211
---	---
---	---
---	---
---	---

SYMBOL NO.	INDEX NO.
JP341	246
---	---
JP343	246
JP344	246
JP345	246
JP346	246
---	---
---	---
---	---
---	---

SYMBOL NO.	INDEX NO.
---	---
JP352	246

LED

SYMBOL NO.	INDEX NO.
LED1	129
LED2	129
LED3	129
LED4	129
LED5	129
LED6	129
LED7	129
LED8	129

OSC

SYMBOL NO.	INDEX NO.
OSC101	161
OSC102	163
OSC103	162

Q

SYMBOL NO.	INDEX NO.
---	---
Q102	125
Q103	125
Q104	124
Q105	120
Q106	122

Q

RESISTOR

SYMBOL NO.	INDEX NO.	SYMBOL NO.	INDEX NO.	SYMBOL NO.	INDEX NO.	SYMBOL NO.	INDEX NO.	SYMBOL NO.	INDEX NO.	SYMBOL NO.	INDEX NO.	SYMBOL NO.	INDEX NO.
Q301	121	R1	222	R11	222	R101	232	---	---	R121	236	R131	235
Q302	122	R2	222	---	---	---	---	---	---	R122	240	R132	242
Q303	125	---	---	R13	222	---	---	R113	232	R123	222	R133	225
Q304	123	R4	222	R14	222	---	---	R114	222	R124	230	R134	226
Q305	125	R5	248	R15	222	R105	229	R115	220	R125	241	R135	220
Q306	125	R6	221	R16	222	R106	221	---	---	R126	232	R136	226
Q307	125	R7	222	R17	222	---	---	---	---	R127	232	R137	220
		R8	221	---	---	---	---	R118	222	R128	232	---	---
		R9	251	---	---	---	---	R119	232	R129	232	---	---
		R10	231	---	---	---	---	---	---	R130	235	---	---

RESISTOR

SYMBOL NO.	INDEX NO.	SYMBOL NO.	INDEX NO.	SYMBOL NO.	INDEX NO.	SYMBOL NO.	INDEX NO.	SYMBOL NO.	INDEX NO.	SYMBOL NO.	INDEX NO.	SYMBOL NO.	INDEX NO.
R141	222	R151	220	R161	246	R171	220	R181	237	R191	237	---	---
R142	222	R152	242	R162	223	R172	220	R182	237	R192	223	---	---
R143	222	R153	232	R163	222	R173	220	R183	232	R193	250	---	---
---	---	R154	232	R164	222	R174	220	R184	237	R194	220	R204	221
R145	222	R155	235	R165	232	R175	220	R185	222	R195	218	R205	221
R146	234	R156	235	R166	220	R176	220	R186	214	R196	220	R206	221
R147	230	R157	235	R167	222	R177	220	---	---	R197	222	R207	221
R148	230	R158	235	R168	232	R178	230	R188	221	R198	229	R208	221
R149	219	R159	235	R169	232	R179	222	R189	237	---	---	R209	221
R150	236	R160	235	R170	232	R180	232	R190	222	---	---	---	---

RESISTOR

SYMBOL NO.	INDEX NO.	SYMBOL NO.	INDEX NO.	SYMBOL NO.	INDEX NO.	SYMBOL NO.	INDEX NO.	SYMBOL NO.	INDEX NO.	SYMBOL NO.	INDEX NO.	SYMBOL NO.	INDEX NO.
R211	222	R221	222	---	---	R241	220	R301	252	R311	236	R321	245
---	---	R222	222	---	---	R242	222	R302	221	R312	221	---	---
R213	242	R223	222	R233	222	R243	234	R303	221	R313	225	---	---
R214	242	R224	229	R234	232	R244	222	R304	252	R314	221	R324	222
R215	222	R225	217	R235	221	R245	222	R305	221	R315	232	R325	222
R216	222	R226	221	R236	222	R246	233	---	---	R316	216	R326	232
---	---	R227	221	R237	219	R247	222	R307	248	R317	215	R327	222
R218	222	R228	221	R238	230	---	---	R308	248	R318	232	R328	222
R219	232	R229	213	---	---	---	---	R309	236	R319	232	R329	222
R220	237	R230	246	---	---	---	---	R310	221	R320	232	R330	232

RESISTOR

SYMBOL NO.	INDEX NO.	SYMBOL NO.	INDEX NO.	SYMBOL NO.	INDEX NO.	SYMBOL NO.	INDEX NO.	SYMBOL NO.	INDEX NO.	SYMBOL NO.	INDEX NO.	SYMBOL NO.	INDEX NO.
R331	232	R341	218	R351	233	R361	244	R371	244	R381	222	R391	247
R332	232	---	---	R352	233	R362	244	---	---	R382	222	R392	222
R333	232	---	---	R353	232	R363	222	R373	253	R383	232	R393	246
R334	232	---	---	R354	233	R364	228	R374	221	R384	254	R394	242
R335	228	---	---	R355	222	R365	228	R375	221	R385	249	R395	221
R336	222	R346	221	R356	222	R366	228	R376	253	R386	222	R396	235
R337	222	R347	246	R357	222	R367	228	R377	222	R387	222	R397	235
R338	228	R348	221	R358	222	R368	244	R378	221	R388	242	---	---
R339	224	---	---	R359	244	R369	244	R379	222	R389	235	---	---
R340	218	R350	232	R360	244	R370	244	R380	221	R390	247	R400	230

RESISTOR

SYMBOL NO.	INDEX NO.	SYMBOL NO.	INDEX NO.	SYMBOL NO.	INDEX NO.	SYMBOL NO.	INDEX NO.	SYMBOL NO.	INDEX NO.	SYMBOL NO.	INDEX NO.	SYMBOL NO.	INDEX NO.
R401	219	---	---	R421	226	R431	232	R441	235	---	---	R461	235
R402	230	R412	222	R422	226	R432	235	R442	235	R452	222	R462	232
R403	232	R413	237	R423	237	R433	242	R443	235	R453	222	R463	232
---	---	R414	222	R424	238	R434	235	R444	235	R454	232	---	---
R405	232	R415	237	R425	238	R435	235	R445	235	R455	222	R465	232
R406	232	R416	222	R426	238	R436	235	R446	242	R456	232	R466	232
R407	232	---	---	R427	238	R437	235	R447	242	R457	222	R467	232
---	---	R418	222	R428	232	R438	225	R448	232	R458	235	R468	222
R409	232	R419	232	R429	232	R439	235	R449	237	R459	235	R469	227
R410	237	R420	237	R430	232	R440	235	R450	237	R460	232	R470	235

RESISTOR

SYMBOL NO.	INDEX NO.	SYMBOL NO.	INDEX NO.	SYMBOL NO.	INDEX NO.	SYMBOL NO.	INDEX NO.	SYMBOL NO.	INDEX NO.	SYMBOL NO.	INDEX NO.	SYMBOL NO.	INDEX NO.
---	---	R481	222	R491	222	R501	232	---	---	---	---	R531	221
R472	222	R482	222	R492	222	R502	232	R512	222	R522	221	R532	221
R473	222	R483	243	R493	232	R503	222	R513	222	R523	229		
R474	222	R484	220	R494	232	R504	232	R514	222	---	---		
R475	222	R485	220	R495	232	R505	222	R515	222	---	---		
R476	220	R486	220	R496	239	R506	232	---	---	---	---		
R477	220	R487	220	R497	222	R507	232	---	---	---	---		
R478	222	R488	232	R498	232	R508	222	---	---	R528	232		
R479	242	R489	232	R499	232	R509	243	R519	232	R529	232		
R480	227	R490	232	R500	232	---	---	---	---	R530	236		

28.BICU BOARD (B156/B220)

CÓPIA NÃO CONTROLADA

REG

SYMBOL NO.	INDEX NO.
REG101	153
REG102	155
REG103	155
REG104	158
REG105	156

RN

SYMBOL NO.	INDEX NO.
RN1	209
RN2	209
RN3	166
RN4	203
RN5	166
RN6	166
---	---
---	---
---	---
---	---

SYMBOL NO.	INDEX NO.
---	---
RN102	203
RN103	164
RN104	202
RN105	166
RN106	202
RN107	202
RN108	166
RN109	202
RN110	202

SYMBOL NO.	INDEX NO.
RN111	202
RN112	166
RN113	202
RN114	167
RN115	203
RN116	202
RN117	202
RN118	203
RN119	203
RN120	204

SYMBOL NO.	INDEX NO.
RN121	208
RN122	208
RN123	203
RN124	164
RN125	164
RN126	165
RN127	202
RN128	202
RN129	202
RN130	164

SYMBOL NO.	INDEX NO.
RN131	165
RN132	165
RN133	208
RN134	208
RN135	205
RN136	164
RN137	204
RN138	207
RN139	208
RN140	204

SYMBOL NO.	INDEX NO.
RN141	204
RN142	202
RN143	166
RN144	204
---	---
---	---
---	---
---	---
---	---

RN

SYMBOL NO.	INDEX NO.
RN301	210
RN302	210
---	---
RN304	205
RN305	205
RN306	206
RN307	205
RN308	202
RN309	205
RN310	202

SYMBOL NO.	INDEX NO.
RN311	202
RN312	209
RN313	166
RN314	202
RN315	164
RN316	209
RN317	209
RN318	209
RN319	202
RN320	166

SYMBOL NO.	INDEX NO.
RN321	203
RN322	204
RN323	209
RN324	166
RN325	166
RN326	204
RN327	204
RN328	167
RN329	204
RN330	202

SYMBOL NO.	INDEX NO.
RN331	202

SWITCH

SYMBOL NO.	INDEX NO.
SW103	119

ZD

SYMBOL NO.	INDEX NO.
ZD101	127
ZD102	127

CÓPIA NÃO CONTROLADA

28.BICU BOARD (B156/B220)

CÓPIA NÃO CONTROLADA

Index No.	Part No.	Description	Q'ty Per Assembly
*	B154 5210	PCB:BICU	1
1	B051 5500	IC - RL5C610	1
2	B051 5501	Converter - M38034M4-091FP	1
3	B101 5160	IC:MB87M1480175	1
4	B132 5501	IC:RB5C609	1
5	B154 5739	Connector:FFC:PB:FH12-50S-0.5SV	2
6	G570 5372	IC - MB87J4253	1

Index No.	Part No.	Description	Q'ty Per Assembly
101	1102 4202	Connector - 3P	
102	1102 4203	CT Header - 4P	
103	1102 4205	CT Header - 6P	
104	1102 6296	Connector - 3P	
105	1102 6297	Connector - 4P	
106	1102 6299	Connector - 6P	
107	1102 6403	Connector - 30P	
108	1102 6600	Connector - 8P	
109	1102 7884	Connector:TX25-80P-12ST-H1E	
110	1102 8469	Connector - 55447-0510	
111	1102 8474	Connector - 5 P	
112	1102 8476	Connector - 55447-1210	
113	1102 8480	Connector - 55447-1610	
114	1102 8486	Connector - 55451-2410	
115	1102 8492	Connector - 55451-3610	
116	1102 9109	Connector - 353297-4	
117	1102 9606	Connector - 200RS-JUK-GB	
118	1107 1083	Fuse:Sst 4	
119	1204 1481	DIP Switch	
120	1400 0556	Transistor - DTB143EK	
121	1400 0767	Transistor:DTA114EUA	
122	1400 0775	Transistor - 2SC4081	
123	1400 0810	Transistor:DTC114EUA	
124	1400 0909	Transistor - DTA143EUA	
125	1400 0919	Transistor - DTCL43XUA	
126	1402 1336	Diode - 1SS355	
127	1402 1515	Diode Udzs6.2b	
128	1402 1584	Diode - DAN217U	
129	1403 0996	LED - SML-310VT	
130	1407 2187	TTLIC - SN74LS07NS	
131	1407 2218	TTLIC - SN74LS06NS	
132	1407 5321	CMOS Logic - 74LVCH16374A TSSOP	
133	1407 5334	IC - CMOS LOGIC 74LVC244A TSSOP	
134	1407 5346	IC - SN74LS74ANS	
135	1407 5347	IC - SN74LV08APW	

CÓPIA NÃO CONTROLADA

CÓPIA NÃO CONTROLADA

Index No.	Part No.	Description	Q'ty Per Assembly
136	1407 5350	IC - SN74LV00APW	
137	1407 5351	IC - SN74LV14APW	
138	1407 5353	IC - SN74LV244APW	
139	1407 5366	IC - 74LVC08A TSSOP	
140	1407 5368	IC - 74LVC245A TSSOP	
141	1407 5382	CMOS Logic - SN74LV373APW	
142	1407 5447	LVDS - SS75LVDS86ADGG	
143	1407 5463	IC - SN74LV245APW	
144	1407 5492	IC - SN74ALVC04PW	
145	1407 5500	IC - SN74ALVC08PW	
146	1407 5509	IC - SN74AHCT08PW	
147	1407 5519	IC - SN74AHCT245PW	
148	1407 5580	IC - M32102S6FP	
149	1407 5862	Memory - MSM54V12222B-20JS	
150	1407 6032	IC - SN74LV161APW	
151	1407 6286	IC:RF5V851-1016	
152	1407 6343	Clock Generator:MB88152PNF-G-101-E1	
153	1408 1296	Voltage Regulator - RN5RZ33B	
154	1408 1730	IC - MM1096BF	
155	1408 1742	Regulator - PQ025EH02Z	
156	1408 1744	Regulator - PQ018EH01Z	
157	1408 1760	IC:R3112Q401A-FA	
158	1408 1774	Series Regulator:UPC2933AT	
159	1408 1829	Ope Amp - LM358PW	
160	1408 2007	Operational Amplifier:LM324PW	
161	1503 0843	Oscillator - 17.5Mhz	
162	1503 1214	Ceramic Oscilator:16Mhz	
163	1503 1216	Crystal Oscilator:31.9488Mhz	
164	1601 7752	Resistor Array - 10K Ω \pm 5%	
165	1601 7791	Resistor Array - 1K Ω \pm 5%	
166	1601 7867	Resistor - 33 Ω \pm 5% 1/16W	
167	1601 7871	Resistor - 68 Ω \pm 5% 1/16W	
168	1604 2331	Capacitor - 47 μ F \pm 20% 10V	
169	1604 4728	Capacitor - 100 μ F \pm 20% 16V	
170	1604 5064	Capacitor 47uf: \pm 20%:50V	

Index No.	Part No.	Description	Q'ty Per Assembly
171	1604 5071	Capacitor 47uf: \pm 20%:6.3V	
172	1604 5240	Capacitor:47uf: \pm 20%:25V	
173	1605 0796	Capacitor:4700pF: \pm 5%:50V	
174	1605 0976	Capacitor - 1 μ F+80% -20% 10V	
175	1605 1109	Capacitor:9pF \pm 0.5% 50V	
176	1605 1137	Capacitor - 470pF \pm 10% 50V	
177	1605 1148	Capacitor - 0.1 μ F+80-20% 50V	
178	1605 1161	Capacitor - 0.33 μ F \pm 10% 10V	
179	1605 1187	Ceramic Capacitor 0.047 μ F \pm 10% 50V	
180	1605 1196	Capacitor - 5PF: \pm 0.25pF:50V	
181	1605 1200	Capacitor - 10PF \pm 0.5pF 50V	
182	1605 1201	Capacitor - 12pF \pm 5% 50V	
183	1605 1204	Capacitor-pF50V	
184	1605 1206	Capacitor - 47pF \pm 5% 50V	
185	1605 1207	Capacitor - 68pF \pm 5% 50V	
186	1605 1208	Capacitor:100pF: \pm 5%:50V	
187	1605 1212	Capacitor - 470pF \pm 10% 50V	
188	1605 1214	Capacitor - 1000pF \pm 10% 50V	
189	1605 1216	Capacitor - 2200pF \pm 10%:50V	
190	1605 1221	Capacitor - 0.1 UF+80-20%:16V	
191	1605 1225	Capacitor - 0.1 μ F \pm 10% 50V	
192	1605 1293	Capacitor - 27pF \pm 5%:50V	
193	1605 1295	Capacitor:10uf:+80-20%:10V	
194	1605 1301	Capacitor-6800pF \pm 10% 50V	
195	1605 1303	Capacitor - 0.01 μ F+80-20% 50V	
196	1605 1306	Capacitor - 1 μ F \pm 10% 10V	
197	1605 1358	Capacitor - 10 μ F \pm 10% 10V	
198	1605 1453	Capacitor:0.022uf: \pm 10%:16V	
199	1606 8041	Resistor Array - CKCA43CH1H10	
200	1607 1002	IC - NFM60R30T222	
201	1607 1276	Filter - ACF321825-331	
202	1609 0005	Resistor:33 Ω : \pm 5%:1/16W	
203	1609 0006	Resistor:10k Ω : \pm 5%:1/16W	
204	1609 0007	Resistor - 68 Ω \pm 5% 1/16W	
205	1609 0009	Resistor - 47k Ω : \pm 5%:1/16W	

CÓPIA NÃO CONTROLADA

CÓPIA NÃO CONTROLADA

Index No.	Part No.	Description	Q'ty Per Assembly
206	1609 0018	Resistor:2.2k Ω : \pm 5%:1/16W	
207	1609 0019	Resistor:0 Ω :1608	
208	1609 0025	Resistor - 100 Ω \pm 5% 1/16W	
209	1609 0026	Resistor - 47 Ω \pm 5% 1/16W	
210	1609 0030	Resistor Array:220 Ω : \pm 5%:1/16W:8number	
211	1633 0000	Resistor - 0 Ω 1/10W	
212	1634 0000	Resistor - 0 Ω 1/16W	
213	1650 3101	Resistor - 100 Ω \pm 5%1/8W	
214	1650 4101	Resistor - 100 Ω \pm 5%1/10W	
215	1650 4103	Resistor - 10K Ω \pm 5% 1/10W	
216	1650 4153	Resistor - 15K Ω \pm 5% 1/10W	
217	1650 4221	Resistor - 220 Ω \pm 5%1/10W	
218	1650 4330	Chip Resistor - 33 Ω \pm 5% 1/10W	
219	1650 5100	Chip Resistor - 10 Ω \pm 5%1/16W	
220	1650 5101	Chip Resistor - 100 Ω \pm 5%1/16W	
221	1650 5102	Chip Resistor - 1k Ω \pm 5%1/16W	
222	1650 5103	Chip Resistor - 10k Ω \pm 5%1/16W	
223	1650 5105	Chip Resistor - 1m Ω \pm 5%1/16W	
224	1650 5121	Chip Resistor:120 Ω : \pm 5%:1/16w:1005	
225	1650 5151	Resistor - 150 Ω \pm 5% 1/16W	
226	1650 5182	Chip Resistor - 1.8k Ω \pm 5%1/16W	
227	1650 5202	Chip Resistor:2k Ω : \pm 5%:1/16W	
228	1650 5220	Resistor - 22 Ω \pm 5% 1/16W	
229	1650 5221	Chip Resistor - 220 Ω \pm 5%1/16W	
230	1650 5222	Resistor - 2.2K Ω \pm 5% 1/16W	
231	1650 5244	Resistor:240k Ω : \pm 5%:1/16w:1005	
232	1650 5330	Chip Resistor - 33 Ω \pm 5%1/16W	
233	1650 5331	Resistor - 330 Ω \pm 5% 1/16W	
234	1650 5392	Chip Resistor:3.9k Ω : \pm 5%:1/16W:1005	
235	1650 5470	Chip Resistor 47 Ω \pm 5% 1/16W	
236	1650 5472	Chip Resistor:4.7k Ω : \pm 5%:1/16W	
237	1650 5473	Chip Resistor - 47k Ω \pm 5% 1/16W	
238	1650 5510	Chip Resistor - 51 Ω \pm 5%1/16W	
239	1650 5511	Resistor - 510 Ω \pm 5% 1/16W	
240	1650 5561	Chip Resistor 560 Ω \pm 5% 1/16W	

Index No.	Part No.	Description	Q'ty Per Assembly
241	1650 5562	Chip Resistor:5.6k Ω : \pm 5%:1/16W	
242	1650 5680	Resistor - 68 Ω \pm 5% 1/16W	
243	1650 5682	Chip Resistor:6.8k Ω : \pm 5%:1/16W:1005	
244	1650 5751	Resistor:750 Ω : \pm 5%:1/16W:1005	
245	1654 5601	Resistor - 5.6K Ω \pm 1% 1/10W	
246	1655 0000	Chip Resistor - 0 Ω \pm 0%1/16W	
247	1655 1001	Chip Resistor - 1k Ω \pm 1% 1/16W	
248	1655 1003	Chip Resistor - 100k Ω \pm 1%1/16W	
249	1655 1431	Resistor:1.43k Ω : \pm 1%:1/16W:1005	
250	1655 4700	Chip Resistor:470 Ω : \pm 1%:1/16W:1005	
251	1655 4701	Chip Resistor - 4.7k Ω \pm 1%1/16W	
252	1655 4702	Chip Resistor:47k Ω : \pm 1%:1/16W:1005	
253	1655 5231	Resistor:5.23k Ω : \pm 1%:1/16W:1005	
254	1655 6040	Chip Resistor:604 Ω : \pm 1%:1/16W:1005	
255	1655 6809	Chip Resistor - 68 Ω \pm 1%1/16W	
256	1660 0100	Capacitor - 10PF \pm 0.5pF 50V	
257	1660 2121	Capacitor - 120pF \pm 5% 50V	
258	1660 2391	Capacitor - 390pF \pm 5% 50V	
259	1660 2471	Capacitor - 470pF - \pm 5% - 50V	
260	1660 6103	Capacitor - 10000pF - +80%-20%50V	
261	1906 0021	IC - DRAM MBM29LV160BE70TN	

CÓPIA NÃO CONTROLADA

CAPACITOR

SYMBOL NO.	INDEX NO.	SYMBOL NO.	INDEX NO.	SYMBOL NO.	INDEX NO.	SYMBOL NO.	INDEX NO.	SYMBOL NO.	INDEX NO.	SYMBOL NO.	INDEX NO.	SYMBOL NO.	INDEX NO.
C1	163	C11	163	C21	205	C31	205	---	---	C51	205	C61	205
C2	206	---	---	C22	205	C32	205	C42	205	C52	205	C62	205
C3	206	C13	162	C23	202	C33	167	C43	205	C53	205	---	---
C4	166	C14	205	C24	205	C34	163	C44	205	C54	205	C64	205
C5	202	C15	205	---	---	C35	168	C45	205	C55	205	C65	205
C6	167	C16	205	C26	206	C36	163	C46	205	C56	205	C66	205
C7	167	C17	163	C27	205	C37	205	C47	205	C57	200	C67	205
C8	206	C18	205	C28	205	C38	205	C48	205	C58	201	C68	205
C9	202	C19	205	C29	205	C39	163	C49	205	C59	205	---	---
C10	205	C20	201	C30	205	C40	205	C50	205	---	---	---	---

CAPACITOR

SYMBOL NO.	INDEX NO.	SYMBOL NO.	INDEX NO.	SYMBOL NO.	INDEX NO.	SYMBOL NO.	INDEX NO.	SYMBOL NO.	INDEX NO.	SYMBOL NO.	INDEX NO.	SYMBOL NO.	INDEX NO.
C71	202	C81	205	---	---	C101	204	C111	202	C121	205	C131	205
C72	205	C82	205	C92	206	C102	205	C112	205	C122	205	---	---
C73	205	C83	205	C93	203	C103	206	---	---	C123	205	---	---
---	---	---	---	C94	205	C104	199	C114	205	C124	205	C134	205
---	---	C85	205	C95	163	C105	163	C115	205	C125	205	---	---
C76	205	C86	205	C96	205	C106	205	C116	202	C126	202	---	---
C77	168	C87	205	C97	205	C107	205	C117	205	---	---	C137	205
C78	205	C88	203	C98	205	C108	205	C118	205	---	---	---	---
C79	205	C89	203	C99	205	---	---	C119	205	C129	205	C139	205
C80	205	C90	203	C100	205	C110	205	C120	205	C130	205	---	---

CAPACITOR

SYMBOL NO.	INDEX NO.
C141	205
C142	202
---	---
---	---
---	---
---	---
---	---
C147	205
C148	199
C149	199
C150	199

SYMBOL NO.	INDEX NO.
---	---
C152	199
C153	199
C154	199
C155	199
---	---
C156	163
C157	205
C158	205
C159	205
C160	205

SYMBOL NO.	INDEX NO.
C161	199
C162	199
C163	205
C164	205
C165	205
---	---
C166	205
C167	202
---	---
---	---
---	---

CONNECTOR

SYMBOL NO.	INDEX NO.
CN301	111
CN302	127
CN303	124
---	---
CN305	125
---	---
---	---
CN307	122
CN308	122
---	---
---	---
CN310	110

SYMBOL NO.	INDEX NO.
CN311	121
CN312	104
---	---
---	---
---	---
---	---
---	---
CN319	107
CN320	108

SYMBOL NO.	INDEX NO.
---	---
---	---
CN323	107
CN324	119
CN325	113
---	---
CN326	107
---	---
---	---
---	---
CN329	123
---	---

SYMBOL NO.	INDEX NO.
CN331	126
---	---
---	---
CN334	101
---	---
---	---
---	---
---	---
---	---
---	---
CN340	114

CONNECTOR

SYMBOL NO.	INDEX NO.
CN341	105
CN342	106
CN343	112
---	---
CN345	102
---	---
CN346	114
---	---
---	---
---	---
CN370	120

SYMBOL NO.	INDEX NO.
---	---
CN372	117
CN373	103
CN374	115
CN375	116
---	---
CN377	118
CN378	128
CN379	109
CN380	101

SYMBOL NO.	INDEX NO.
CN381	107

DIODE

SYMBOL NO.	INDEX NO.
D1	141
D2	141
---	---
D4	136
---	---
---	---
D6	139

FILTER

SYMBOL NO.	INDEX NO.
FIL2	165
FIL3	165
FIL4	165
FIL5	165
---	---
---	---
---	---
---	---
---	---
---	---

FUSE

SYMBOL NO.	INDEX NO.
FU22	130
FU23	130
FU24	129
FU25	130
---	---
FU26	130
FU27	130
FU28	130

IC

SYMBOL NO.	INDEX NO.
IC1	142
IC2	143
IC3	142
IC4	143
IC5	142
---	---
IC6	145
IC7	146
IC8	144
IC9	143
IC10	142

IC

SYMBOL NO.	INDEX NO.
IC21	149
IC11	143
IC12	146
IC13	147
IC14	144
IC15	143
---	---
IC16	142
IC17	146
IC18	146
IC19	143

SYMBOL NO.	INDEX NO.
IC20	142
---	---
---	---
---	---
---	---
---	---
---	---
---	---
---	---
---	---

SYMBOL NO.	INDEX NO.
IC101	1
IC102	148

JP

SYMBOL NO.	INDEX NO.
JP1	164
---	---
JP3	164

OSC

SYMBOL NO.	INDEX NO.
OSC1	150

Q

SYMBOL NO.	INDEX NO.
Q1	135
Q2	134
Q3	133
Q4	134
Q5	132
---	---
Q6	133
Q7	134
Q8	131
Q9	133
Q10	134

LED

SYMBOL NO.	INDEX NO.
Q11	131

RESISTOR

SYMBOL NO.	INDEX NO.
R1	187
R2	176
R3	187
R4	175
R5	176
---	---
R7	176
R8	175
R9	176
R10	188

RESISTOR

SYMBOL NO.	INDEX NO.
R11	176
---	---
---	---
---	---
---	---
---	---
R16	176
R17	175
R18	174
R19	183
R20	152

SYMBOL NO.	INDEX NO.
---	---
R22	176
R23	175
R24	173
R25	175
---	---
R26	176
R27	176
R28	175
R29	175
R30	176

SYMBOL NO.	INDEX NO.
R31	176
R32	175
R33	175
R34	169
R35	169
---	---
R36	151
R37	152
R38	175
R39	169
R40	169

SYMBOL NO.	INDEX NO.
R41	151
R42	190
R43	182
R44	194
R45	181
---	---
R46	182
R47	194
R48	170
R49	172
R50	172

SYMBOL NO.	INDEX NO.
R51	172
R52	172
R53	172
R54	172
R55	176
---	---
R56	175
R57	152
R58	176
R59	175
R60	176

SYMBOL NO.	INDEX NO.
R61	175
---	---
R63	196
R64	176
R65	175
---	---
R66	175
R67	198
R68	191
R69	172
R70	172

SYMBOL NO.	INDEX NO.
R71	181
R72	176
R73	176
R74	175
R75	194
---	---
R76	181
R77	175
R78	182
R79	175
R80	171

RESISTOR

SYMBOL NO.	INDEX NO.	SYMBOL NO.	INDEX NO.	SYMBOL NO.	INDEX NO.	SYMBOL NO.	INDEX NO.	SYMBOL NO.	INDEX NO.	SYMBOL NO.	INDEX NO.	SYMBOL NO.	INDEX NO.
R81	175	R91	176	R101	184	R111	174	R121	176	R131	183	R141	176
R82	171	R92	175	R102	177	R112	176	R122	182	R132	182	R142	175
R83	181	R93	176	---	---	R113	193	R123	175	R133	181	R143	175
R84	181	R94	194	R104	176	R114	175	R124	176	R134	181	R144	185
R85	181	R95	194	R105	181	R115	176	R125	194	R135	175	R145	176
R86	181	R96	176	R106	181	R116	175	R126	176	---	---	R146	176
R87	181	R97	193	R107	184	R117	176	R127	176	R137	173	R147	175
R88	181	R98	175	R108	175	R118	181	R128	187	R138	186	R148	175
R89	181	---	---	R109	176	R119	182	R129	181	R139	176	R149	176
R90	176	R100	176	R110	174	R120	175	R130	190	R140	175	R150	175

RESISTOR

SYMBOL NO.	INDEX NO.	SYMBOL NO.	INDEX NO.	SYMBOL NO.	INDEX NO.	SYMBOL NO.	INDEX NO.	SYMBOL NO.	INDEX NO.	SYMBOL NO.	INDEX NO.	SYMBOL NO.	INDEX NO.
R151	176	R161	176	R171	195	R181	176	R191	181	R201	190	R211	192
---	---	R162	175	R172	182	R182	176	R192	176	R202	186	R212	192
R153	185	R163	175	R173	176	R183	176	R193	175	R203	186	R213	175
R154	176	R164	182	R174	189	R184	190	R194	181	R204	186	R214	175
R155	176	---	---	R175	179	R185	181	R195	181	R205	176	R215	174
R156	176	R166	180	R176	181	R186	176	R196	186	R206	186		
R157	176	R167	178	R177	194	R187	176	R197	176	R207	175		
R158	187	R168	176	R178	175	R188	181	R198	175	R208	192		
R159	183	R169	175	R179	176	R189	181	R199	175	R209	192		
R160	176	R170	197	R180	175	R190	181	R200	190	R210	176		

RN

ZD

SYMBOL NO.	INDEX NO.
RN1	155
RN2	155
RN3	158
RN4	155
RN5	155
RN6	155
RN7	158
RN8	154
RN9	154
RN10	158

SYMBOL NO.	INDEX NO.
RN11	155
RN12	158
RN13	155
RN14	155
RN15	161
RN16	161
RN17	158
RN18	161
RN19	161
RN20	158

SYMBOL NO.	INDEX NO.
RN21	161
RN22	161
RN23	161
RN24	158
RN25	155
RN26	158
RN27	155
RN28	158
RN29	155
RN30	155

SYMBOL NO.	INDEX NO.
RN31	158
RN32	158
RN33	155
RN34	158
RN35	155
RN36	161
RN37	155
RN38	159
RN39	155
RN40	158

SYMBOL NO.	INDEX NO.
RN41	158
RN42	153
RN43	155
RN44	160
RN45	156
RN46	156
RN47	160
RN48	158
RN49	155
RN50	153

SYMBOL NO.	INDEX NO.
RN51	157
RN52	157
RN53	153
RN54	155
RN55	158
RN56	155
RN57	155

SYMBOL NO.	INDEX NO.
ZD2	138
ZD3	137
ZD4	137
ZD5	138
ZD6	137
ZD7	138
ZD8	138
ZD9	140

29.IOB BOARD (B156/B220)

CÓPIA NÃO CONTROLADA

Index No.	Part No.	Description	Q'ty Per Assembly
*	B154 5120	PCB:IOB	1
1	A232 5355	IC - GATEX	1

Index No.	Part No.	Description	Q'ty Per Assembly
101	1102 4201	Connector - 2P	
102	1102 4202	Connector - 3P	
103	1102 4206	Connector - 7P	
104	1102 4683	Connector - 5566-02A-210	
105	1102 5301	Connector - 2P	
106	1102 5307	Connector - 2P	
107	1102 6295	Connector - 2P	
108	1102 6296	Connector - 3P	
109	1102 6297	Connector - 4P	
110	1102 7093	Connector - 53375-0610	
111	1102 8053	Connector:5566-08A-210	
112	1102 8470	Connector - 55447-0610	
113	1102 8471	Connector - 55447-071	
114	1102 8472	Connector - 55447-0810	
115	1102 8473	Connector - 55447-0910	
116	1102 8474	Connector - 5 P	
117	1102 8477	Connector - 13P	
118	1102 8478	Connector - 55447-1410	
119	1102 8479	Connector - 15P	
120	1102 8480	Connector - 55447-1610	
121	1102 8481	Connector - 55447-1760	
122	1102 8483	Connector:55447-1980	
123	1102 8484	Connector:55447-2080	
124	1102 8492	Connector - 55451-3610	
125	1102 8545	Connector - 1-353297-6	
126	1102 9110	Connector - 353297-6	
127	1102 9112	Connector - 353297-8	
128	1103 0428	Connector - 20P	
129	1107 1083	Fuse:Sst 4	
130	1107 1099	Fuse Sst 5	
131	1400 0381	Transistor - 2SA1036KR	
132	1400 0747	Transistor-2SD1863	
133	1400 0781	Transistor:2SB1132R	
134	1400 0810	Transistor:DTC114EUA	
135	1400 0909	Transistor - DTA143EUA	

CÓPIA NÃO CONTROLADA

CÓPIA NÃO CONTROLADA

Index No.	Part No.	Description	Q'ty Per Assembly
136	1402 0545	Diode - 1SS244	
137	1402 1277	Diode - 12V500MW	
138	1402 1353	Diode - HZ12BP	
139	1402 1584	Diode - DAN217U	
140	1402 1772	Diode:PTZ33B	
141	1402 1803	Diode:RF101I2S	
142	1407 1535	IC - TD62308AP	
143	1407 2187	TTLIC - SN74LS07NS	
144	1407 2219	IC - TD62003AP	
145	1407 5347	IC - SN74LV08APW	
146	1407 5351	IC - SN74LV14APW	
147	1407 6318	CMOS Logic:SN74AHC1G00DCK	
148	1407 6376	Motor Control IC:SLA7051M1	
149	1408 2029	Comparator:LM2901PW	
150	1503 0946	Crystal Oscillator - 9.8304Mhz	
151	1601 5528	Resistor:0.47 Ω:±5%:2W	
152	1601 5698	Resistor:300 Ω:±5%:2W	
153	1601 7750	Resistor - 22K Ω ±5.00%	
154	1601 7751	Resistor - 4.7KΩ ±5%	
155	1601 7752	Resistor Array - 10K Ω ±5%	
156	1601 7760	Resistor Array	
157	1601 7780	Resistor	
158	1601 7791	Resistor Array - 1K Ω ±5%	
159	1601 7849	Resistor - 33KΩ ±5% 1/16W	
160	1601 7867	Resistor - 33 Ω ±5% 1/16W	
161	1601 7895	Resistor - 180 Ω ±5% 1/16W	
162	1604 5286	Capacitor:120uf:±20%:50V	
163	1605 1148	Capacitor - 0.1μF+80-20% 50V	
164	1633 0000	Resistor - 0 Ω 1/10W	
165	1634 0000	Resistor - 0 Ω 1/16W	
166	1640 1101	Capacitor - 100μF- ±20% 16V	
167	1640 5101	Capacitor - 100μF±20% 50V	
168	1640 5470	Capacitor - 47μF±20% 50V	
169	1650 3103	Chip Resistor - 10kΩ ±5% 1/8W	
170	1650 3113	Resistor:11k Ω:±5%:1/8W:2125	

Index No.	Part No.	Description	Q'ty Per Assembly
171	1650 3123	Chip Resistor:12kΩ:±5%:1/8W	
172	1650 3221	Resistor - 220Ω±5%1/8W	
173	1650 4100	Resistor - 10Ω ±5% 1/10W	
174	1650 4101	Resistor - 100Ω±5%1/10W	
175	1650 4102	Resistor - 1KΩ ±5% 1/10W	
176	1650 4103	Resistor - 10KΩ ±5% 1/10W	
177	1650 4105	Resistor - 1MΩ ±5% 1/10W	
178	1650 4121	Resistor - 120Ω±5%1/10W	
179	1650 4152	Resistor - 1.5KΩ ±5% 1/10W	
180	1650 4162	Resistor - 1.6KΩ ±5% 1/10W	
181	1650 4181	Resistor - 180Ω±5%1/10W	
182	1650 4221	Resistor - 220Ω±5%1/10W	
183	1650 4222	Resistor - 2.2KΩ±5%1/10W	
184	1650 4223	Resistor - 22KΩ±5%1/10W	
185	1650 4330	Chip Resistor - 33Ω ±5% 1/10W	
186	1650 4331	Resistor - 330Ω±5%1/10W	
187	1650 4332	Resistor - 3.3KΩ±5%1/10W	
188	1650 4470	Resistor - 47Ω±5%1/10W	
189	1650 4471	Resistor - 470Ω±5%1/10W	
190	1650 4472	Resistor - 4.7KΩ ±5% 1/10W	
191	1650 4473	Resistor - 47KΩ±5%1/10W	
192	1650 4514	Resistor - 510K Ω ±5% 1/10W	
193	1650 4562	Resistor - 5.6KΩ ±5% 1/10W	
194	1650 4822	Chip Resistor:8.2kΩ:±5%:1/10W	
195	1654 1202	Resistor:12kΩ:±1%:1/10W	
196	1654 1502	Resistor - 15KΩ±1% 1/10W	
197	1654 2001	Chip Resistor - 2kΩ ±1% 1/10W	
198	1654 3001	RESISTOR:3K Ω:±1%:1/10W:1608	
199	1660 2101	Capacitor - 100pF - ±10% - 50V	
200	1660 2270	Capacitor - 27pF ±20% 35V	
201	1660 2330	Capacitor - 33pF - ±5% - 50V	
202	1660 2471	Capacitor - 470pF - ±5% - 50V	
203	1660 4102	Capacitor - 1000pF ±10% 50V	
204	1660 4472	Capacitor - 4700pF±10% 50V	
205	1660 6103	Capacitor - 10000pF - +80%-20%50V	

CÓPIA NÃO CONTROLADA

CÓPIA NÃO CONTROLADA

Index No.	Part No.	Description	Q'ty Per Assembly
206	1660 8104	Capacitor - 0.1 μ F+80-20% 25V	

Index No.	Part No.	Description	Q'ty Per Assembly

CÓPIA NÃO CONTROLADA

30.CONTROL BOARD (B156/B220)

CÓPIA NÃO CONTROLADA

BAT

SYMBOL NO.	INDEX NO.
BAT1	113

CAPACITOR

SYMBOL NO.	INDEX NO.
C1	208
C2	170
C3	171
C4	171
---	---
C6	171
C7	208
C8	199
C9	199
C10	199

SYMBOL NO.	INDEX NO.
C11	199
C12	172
C13	199
C14	199
C15	199
C16	199
C17	199
C18	196
C19	199
C20	199

SYMBOL NO.	INDEX NO.
C21	199
C22	199
C23	199
C24	199
C25	199
C26	199
C27	199
C28	199
C29	199
C30	199

SYMBOL NO.	INDEX NO.
C31	199
C32	199
C33	199
C34	199
C35	199
C36	199
C37	199
C38	199
C39	199
C40	180

SYMBOL NO.	INDEX NO.
C41	199
---	---
C43	199
C44	190
C45	199
C46	190
C47	192
C48	199
C49	194
C50	199

SYMBOL NO.	INDEX NO.
C51	199
C52	199
C53	199
C54	199
---	---
C56	199
C57	199
C58	170
---	---

CAPACITOR

SYMBOL NO.	INDEX NO.
---	---
---	---
C62	201
C63	190
C64	199
C65	190
C66	192
C67	192
C68	170
C69	190

SYMBOL NO.	INDEX NO.
C70	190
C71	192
C72	190
C73	194
C74	201
C75	201
C76	192
C77	201
C78	201
C79	208

SYMBOL NO.	INDEX NO.
C80	170
C81	208
C82	174
---	---
---	---
C85	192
C86	184
C87	208
C88	209
C89	194
C90	179

SYMBOL NO.	INDEX NO.
C91	173
C92	192
C93	184
C94	192
C95	184
C96	179
C97	184
C98	199
C99	194
C100	184

SYMBOL NO.	INDEX NO.
C101	208
C102	192
---	---
C104	192
C105	184
C106	210
C107	173
---	---
C109	191
C110	194

SYMBOL NO.	INDEX NO.
---	---
C112	195
C113	200
C114	208
C115	192
---	---
C117	192
C118	208
C119	184
C120	190

SYMBOL NO.	INDEX NO.
C121	192
C122	181
C123	190
C124	192
C125	181
C126	192
C127	192
C128	181
C129	192
C130	181

CÓPIA NÃO CONTROLADA

CAPACITOR

SYMBOL NO.	INDEX NO.	SYMBOL NO.	INDEX NO.	SYMBOL NO.	INDEX NO.	SYMBOL NO.	INDEX NO.	SYMBOL NO.	INDEX NO.	SYMBOL NO.	INDEX NO.	SYMBOL NO.	INDEX NO.
C131	181	---	---	C151	192	C161	190	C171	192	C181	199	C191	190
C132	184	---	---	C152	200	C162	192	C172	194	C182	199	C192	189
---	---	---	---	C153	200	C163	190	C173	201	C183	190	C193	190
C134	194	C144	194	C154	192	C164	199	C174	202	C184	192	C194	199
C135	194	---	---	C155	192	C165	190	C175	192	C185	190	C195	192
---	---	C146	194	C156	192	C166	205	C176	190	---	---	C196	190
---	---	C147	194	C157	192	C167	190	C177	177	---	---	---	---
C138	194	---	---	C158	177	C168	199	C178	194	C188	177	---	---
C139	194	C149	192	C159	177	C169	177	C179	190	C189	188	C199	188
---	---	C150	196	C160	175	C170	192	C180	188	C190	194	C200	199

CAPACITOR

SYMBOL NO.	INDEX NO.	SYMBOL NO.	INDEX NO.	SYMBOL NO.	INDEX NO.	SYMBOL NO.	INDEX NO.	SYMBOL NO.	INDEX NO.	SYMBOL NO.	INDEX NO.	SYMBOL NO.	INDEX NO.
C201	190	C211	177	C221	192	C231	189	C241	200	C251	190	C261	190
C202	199	C212	201	C222	190	C232	199	C242	177	C252	199	C262	199
C203	192	C213	190	C223	177	C233	200	C243	199	C253	177	C263	192
C204	199	C214	211	C224	177	C234	192	---	---	C254	188	C264	190
C205	199	C215	194	C225	200	C235	190	C245	177	C255	190	C265	177
C206	188	---	---	C226	190	---	---	C246	194	C256	194	C266	199
C207	177	---	---	C227	188	---	---	C247	188	C257	188	C267	199
C208	188	C218	194	---	---	C238	211	C248	190	C258	199	C268	190
C209	190	C219	199	---	---	C239	202	C249	194	C259	199	C269	194
C210	200	C220	194	C230	189	C240	192	C250	177	C260	199	C270	199

CAPACITOR

SYMBOL NO.	INDEX NO.	SYMBOL NO.	INDEX NO.	SYMBOL NO.	INDEX NO.	SYMBOL NO.	INDEX NO.	SYMBOL NO.	INDEX NO.	SYMBOL NO.	INDEX NO.	SYMBOL NO.	INDEX NO.
C271	190	C281	190	C291	200	C301	190	C311	192	C321	199	C331	177
C272	202	C282	199	C292	190	C302	199	C312	309	C322	194	C332	194
C273	190	C283	188	C293	177	C303	199	C313	190	C323	199	C333	190
C274	177	C284	199	C294	199	C304	190	C314	190	C324	188	C334	188
C275	194	C285	188	C295	190	C305	190	C315	199	C325	199	C335	199
C276	190	C286	190	C296	190	C306	190	C316	199	C326	193	---	---
C277	188	C287	199	C297	199	C307	199	C317	199	C327	192	C337	192
C278	190	C288	200	C298	190	C308	308	C318	199	C328	192	---	---
C279	181	C289	199	C299	190	C309	181	C319	177	C329	192	C339	192
C280	199	C290	194	C300	199	C310	309	C320	199	C330	190	C340	192

CAPACITOR

SYMBOL NO.	INDEX NO.	SYMBOL NO.	INDEX NO.	SYMBOL NO.	INDEX NO.	SYMBOL NO.	INDEX NO.	SYMBOL NO.	INDEX NO.	SYMBOL NO.	INDEX NO.	SYMBOL NO.	INDEX NO.
---	---	C351	181	C361	188	C371	199	C381	188	C391	189	C401	199
C342	190	C352	181	C362	188	C372	192	C382	190	C392	194	C402	177
C343	190	C353	181	C363	190	C373	190	C383	189	C393	199	C403	200
C344	190	C354	181	C364	190	C374	190	C384	190	C394	199	C404	190
C345	190	C355	181	C365	190	C375	190	C385	190	C395	192	C405	190
C346	190	C356	181	C366	199	C376	192	C386	190	C396	192	C406	190
C347	192	C357	181	---	---	C377	177	C387	194	C397	194	C407	192
C348	181	C358	181	C368	194	C378	177	C388	194	C398	194	C408	190
C349	181	C359	190	C369	194	C379	192	C389	189	C399	194	C409	192
C350	181	C360	192	C370	194	C380	204	C390	189	C400	189	C410	189

CAPACITOR

SYMBOL NO.	INDEX NO.	SYMBOL NO.	INDEX NO.	SYMBOL NO.	INDEX NO.	SYMBOL NO.	INDEX NO.	SYMBOL NO.	INDEX NO.	SYMBOL NO.	INDEX NO.	SYMBOL NO.	INDEX NO.
C411	194	C421	184	C431	192	C441	184	---	---	C461	190	C471	208
C412	189	C422	192	C432	194	C442	188	---	---	C462	184	C472	201
C413	189	C423	194	C433	190	C443	177	C453	182	C463	184	C473	184
C414	189	C424	189	C434	188	C444	194	C454	182	C464	184	C474	184
C415	199	C425	194	---	---	C445	199	---	---	C465	202	C475	197
C416	199	C426	194	C436	190	---	---	C456	182	C466	192	C476	192
C417	186	C427	194	C437	194	C447	192	---	---	C467	192	C477	192
C418	198	C428	190	C438	190	C448	177	C458	182	C468	181	---	---
C419	184	C429	190	C439	192	C449	177	---	---	C469	192	C479	192
C420	192	C430	188	C440	192	---	---	C460	190	---	---	C480	184

CAPACITOR

SYMBOL NO.	INDEX NO.	SYMBOL NO.	INDEX NO.	SYMBOL NO.	INDEX NO.	SYMBOL NO.	INDEX NO.	SYMBOL NO.	INDEX NO.	SYMBOL NO.	INDEX NO.	SYMBOL NO.	INDEX NO.
C481	184	C491	184	C501	194	---	---	---	---	C531	192	C541	194
C482	192	---	---	C502	194	---	---	---	---	C532	190	C542	194
C483	184	---	---	C503	194	---	---	C523	194	C533	192	C543	190
---	---	C494	184	C504	184	---	---	C524	192	C534	190	---	---
C485	184	---	---	C505	200	---	---	C525	192	C535	192	---	---
C486	192	---	---	C506	184	C516	185	C526	185	C536	192	C546	190
C487	192	---	---	C507	190	C517	194	C527	192	C537	190	C547	190
C488	192	---	---	---	---	C518	192	C528	194	C538	307	---	---
---	---	---	---	C509	190	---	---	C529	184	C539	206	---	---
C490	184	C500	194	C510	192	---	---	C530	190	C540	202	---	---

CAPACITOR

SYMBOL NO.	INDEX NO.	SYMBOL NO.	INDEX NO.	SYMBOL NO.	INDEX NO.	SYMBOL NO.	INDEX NO.	SYMBOL NO.	INDEX NO.	SYMBOL NO.	INDEX NO.	SYMBOL NO.	INDEX NO.
C551	194	---	---	C571	202	C581	190	C591	201	C601	199	---	---
C552	208	---	---	C572	177	C582	182	C592	208	C602	199	---	---
---	---	---	---	C573	177	C583	192	C593	207	C603	198	---	---
---	---	---	---	C574	177	C584	199	C594	194	C604	176	---	---
---	---	---	---	C575	194	C585	204	C595	208	C605	190	C615	178
---	---	C566	192	C576	194	C586	192	C596	208	C606	199	C616	187
---	---	C567	184	C577	194	C587	204	C597	208	---	---	C617	192
---	---	---	---	C578	185	C588	192	C598	208	---	---	C618	190
---	---	C569	201	C579	190	C589	204	C599	194	---	---	C619	190
C560	208	---	---	C580	190	C590	192	C600	185	---	---	C620	199

CAPACITOR

SYMBOL NO.	INDEX NO.	SYMBOL NO.	INDEX NO.	SYMBOL NO.	INDEX NO.	SYMBOL NO.	INDEX NO.	SYMBOL NO.	INDEX NO.	SYMBOL NO.	INDEX NO.	SYMBOL NO.	INDEX NO.
C621	199	C631	199	C641	199	C651	190	C661	202	C671	208	C681	207
C622	199	C632	199	C642	199	C652	204	C662	208	---	---	C682	196
C623	199	C633	199	C643	199	C653	204	C663	195	C673	208	C683	192
C624	199	C634	199	C644	199	C654	204	C664	196	C674	192	C684	192
---	---	C635	199	C645	198	C655	204	C665	202	C675	199	C685	193
C626	199	C636	199	C646	185	C656	183	C666	192	C676	191	---	---
C627	199	C637	199	C647	204	C657	204	C667	203	C677	307	C687	199
C628	199	C638	199	C648	177	C658	192	C668	196	C678	198	C688	190
C629	199	C639	199	C649	190	C659	201	C669	195	C679	208	C689	199
C630	199	C640	199	C650	192	C660	208	C670	208	C680	208	C690	190

CAPACITOR

SYMBOL NO.	INDEX NO.
C691	192
---	---
C693	192
C694	308
C695	199
C696	199
C697	199
C698	199
C699	199
C700	199

SYMBOL NO.	INDEX NO.
C701	202
C702	202
C703	202
---	---
---	---
---	---
---	---
---	---
---	---
---	---

SYMBOL NO.	INDEX NO.
C711	177
C712	171

CONNECTOR

SYMBOL NO.	INDEX NO.
CN100	105
CN101	110
CN102	110
CN103	109
---	---
CN105	103
CN106	104
CN107	104
CN108	104
CN109	106
CN110	106

SYMBOL NO.	INDEX NO.
---	---
CN112	101
CN113	107
---	---
CN115	102
---	---
CN117	108

DIODE

SYMBOL NO.	INDEX NO.
D1	120
D2	119
D3	119
D4	121
D5	121
D6	122
D7	122
D8	119
D9	119
D10	119

FILTER

SYMBOL NO.	INDEX NO.
FIL1	212
FIL2	212
FIL3	213
FIL4	213
FIL5	220
FIL6	223
FIL7	216
FIL8	223
FIL9	216
FIL10	220

FILTER

SYMBOL NO.	INDEX NO.
---	---
---	---
---	---
---	---
---	---
---	---
---	---
---	---
---	---
FIL19	214
FIL20	222

SYMBOL NO.	INDEX NO.
FIL21	214
---	---
---	---
---	---
---	---
---	---
---	---
---	---
---	---
---	---

SYMBOL NO.	INDEX NO.
FIL31	223

FUSE

SYMBOL NO.	INDEX NO.
FU1	111
FU2	111

IC

SYMBOL NO.	INDEX NO.
IC1	154
---	---
IC3	132
---	---
---	---
---	---
IC7	137
IC8	148
IC9	156
IC10	126

SYMBOL NO.	INDEX NO.
---	---
IC12	2
IC13	133
IC14	127
IC15	155
IC16	137
IC17	157
IC18	146
IC19	135
IC20	151

SYMBOL NO.	INDEX NO.
IC21	140
IC22	124
---	---
IC24	128
IC25	130
IC26	142
IC27	153
IC28	138
---	---
---	---

SYMBOL NO.	INDEX NO.
IC31	147
IC32	132
IC33	124
---	---
IC35	310
IC36	129
IC37	144
IC38	141
IC39	156
IC40	150

30.CONTROL BOARD (B156/B220)

CÓPIA NÃO CONTROLADA

IC

SYMBOL NO.	INDEX NO.
---	---
---	---
---	---
IC44	125
---	---
IC46	143
IC47	136
---	---
IC49	1
---	---

SYMBOL NO.	INDEX NO.
IC51	152
IC52	134
IC53	131
---	---
IC55	145
IC56	139
IC57	145
IC58	143
IC59	155
---	---

SYMBOL NO.	INDEX NO.
---	---
IC62	149
---	---
---	---
---	---
IC66	137
---	---
---	---
---	---
---	---

SYMBOL NO.	INDEX NO.
---	---
---	---
IC73	137

L

SYMBOL NO.	INDEX NO.
L1	215
L2	218
L3	219
L4	219
L5	217
L6	218
L7	218
L8	218
L9	218
L10	221

SYMBOL NO.	INDEX NO.
L11	224
L12	219

LED

SYMBOL NO.	INDEX NO.
LED1	123
---	---
---	---
---	---
---	---
---	---
---	---
---	---
---	---
---	---
LED11	123

OSC

SYMBOL NO.	INDEX NO.
OSC1	158
OSC2	161
---	---
OSC4	160
---	---
OSC6	159

Q

SYMBOL NO.	INDEX NO.
Q1	117
Q2	117
Q3	117
Q4	118
Q5	116
Q6	116
---	---
Q8	115
Q9	115
Q10	114

SYMBOL NO.	INDEX NO.
Q11	114
Q12	114
Q13	114
Q14	114
---	---
Q16	114

RESISTOR

SYMBOL NO.	INDEX NO.
R1	252
R2	244
R3	272
R4	246
R5	272
R6	264
R7	258
R8	258
R9	258
---	---

SYMBOL NO.	INDEX NO.
---	---
---	---
---	---
---	---
---	---
R16	265
R17	271
---	---
---	---
R20	258

SYMBOL NO.	INDEX NO.
R21	245
R22	271
R23	251
R24	264
R25	244
R26	271
R27	251
R28	260
R29	245
R30	271

SYMBOL NO.	INDEX NO.
---	---
R32	244
---	---
R34	244
---	---
R36	251
R37	271
R38	271
---	---
---	---

CÓPIA NÃO CONTROLADA

RESISTOR

SYMBOL NO.	INDEX NO.	SYMBOL NO.	INDEX NO.	SYMBOL NO.	INDEX NO.	SYMBOL NO.	INDEX NO.	SYMBOL NO.	INDEX NO.	SYMBOL NO.	INDEX NO.	SYMBOL NO.	INDEX NO.				
R41	259	R51	264	R61	251	R71	242	R81	242	R91	258	---	---	---	---		
R42	259	R52	264	R62	267	R72	245	R82	251	---	---	R102	239	R103	235		
---	---	---	---	R63	267	R73	242	R83	251	R93	258	---	---	R104	235	R105	235
---	---	---	---	R64	267	R74	260	R84	260	---	---	---	---	---	---	---	---
R45	259	R55	258	R65	258	---	---	R85	245	---	---	---	---	---	---	---	---
R46	259	R56	258	---	---	---	---	R86	260	---	---	---	---	R106	235	R107	235
---	---	---	---	---	---	R77	251	R87	268	---	---	---	---	R108	235	R109	235
---	---	---	---	R68	245	R78	251	R88	267	---	---	---	---	R110	235	---	---
R49	264	R59	251	---	---	R79	258	---	---	---	---	---	---	---	---	---	---
---	---	R60	251	R70	245	R80	242	R90	258	R100	258	---	---	---	---	---	---

RESISTOR

SYMBOL NO.	INDEX NO.	SYMBOL NO.	INDEX NO.	SYMBOL NO.	INDEX NO.	SYMBOL NO.	INDEX NO.	SYMBOL NO.	INDEX NO.	SYMBOL NO.	INDEX NO.	SYMBOL NO.	INDEX NO.		
R111	235	R121	236	---	---	---	---	R151	242	R161	239	R171	260	---	---
R112	235	R122	236	R132	267	R142	258	R152	240	R162	239	R172	259	---	---
---	---	R123	236	R133	267	R143	267	R153	239	R163	244	R173	259	---	---
R114	235	R124	236	R134	267	R144	258	R154	239	R164	242	R174	260	---	---
R115	239	R125	258	R135	264	R145	258	R155	238	R165	258	R175	237	---	---
R116	239	R126	260	R136	243	R146	258	R156	238	R166	258	R176	239	---	---
R117	236	---	---	---	---	R147	242	R157	239	R167	242	---	---	---	---
R118	236	R128	260	---	---	R148	244	R158	238	---	---	---	---	---	---
R119	236	---	---	R139	242	R149	235	R159	239	R169	245	R179	270	---	---
R120	236	---	---	R140	242	R150	235	R160	238	R170	242	R180	235	---	---

RESISTOR

SYMBOL NO.	INDEX NO.	SYMBOL NO.	INDEX NO.	SYMBOL NO.	INDEX NO.	SYMBOL NO.	INDEX NO.	SYMBOL NO.	INDEX NO.	SYMBOL NO.	INDEX NO.	SYMBOL NO.	INDEX NO.
R181	235	R191	264	R201	258	---	---	---	---	R231	275	---	---
---	---	---	---	R202	242	---	---	---	---	R232	242	---	---
R183	235	R193	249	---	---	---	---	---	---	---	---	R242	279
R184	235	R194	247	---	---	---	---	---	---	---	---	---	---
---	---	R195	285	R205	284	---	---	---	---	---	---	---	---
R186	235	---	---	---	---	R216	242	---	---	---	---	R245	281
---	---	---	---	R207	245	---	---	---	---	---	---	R246	281
R188	235	---	---	R208	286	---	---	---	---	R237	234	R247	258
---	---	R199	245	---	---	R219	283	---	---	R237	275	---	---
R190	235	---	---	R210	258	---	---	R229	242	---	---	---	---
---	---	---	---	---	---	---	---	---	---	---	---	---	---

RESISTOR

SYMBOL NO.	INDEX NO.	SYMBOL NO.	INDEX NO.	SYMBOL NO.	INDEX NO.	SYMBOL NO.	INDEX NO.	SYMBOL NO.	INDEX NO.	SYMBOL NO.	INDEX NO.	SYMBOL NO.	INDEX NO.
---	---	---	---	R271	244	R281	245	R291	245	---	---	R311	260
---	---	---	---	---	---	---	---	R292	284	---	---	R312	251
---	---	---	---	---	---	---	---	R293	245	---	---	R313	245
---	---	R264	278	R274	282	---	---	R294	245	---	---	R314	260
---	---	R265	276	---	---	---	---	R295	260	---	---	R315	251
---	---	---	---	R276	244	---	---	R296	260	---	---	R316	272
R257	277	R267	245	---	---	---	---	R297	260	R307	256	R317	272
---	---	R268	266	---	---	R288	234	R298	260	R308	258	R318	260
R259	284	R269	266	---	---	R289	234	R299	263	R309	256	R319	251
R260	250	---	---	---	---	R290	234	R300	260	---	---	R320	258
---	---	---	---	---	---	---	---	---	---	---	---	---	---

RESISTOR

SYMBOL NO.	INDEX NO.	SYMBOL NO.	INDEX NO.	SYMBOL NO.	INDEX NO.	SYMBOL NO.	INDEX NO.	SYMBOL NO.	INDEX NO.	SYMBOL NO.	INDEX NO.	SYMBOL NO.	INDEX NO.
R321	251	R331	245	---	---	R351	245	R361	264	R371	258	R381	284
R322	264	R332	258	---	---	R352	256	R362	246	R372	253	R382	258
R323	251	R333	248	R343	245	R353	245	R363	264	R373	251	R383	257
R324	245	R334	264	R344	245	R354	258	R364	246	R374	258	R384	260
R325	260	R335	245	---	---	R355	256	R365	272	R375	258	---	---
R326	251	R336	248	R346	245	R356	246	R366	264	R376	258	R386	264
R327	245	R337	264	---	---	R357	258	R367	264	R377	258	R387	243
R328	260	---	---	R348	258	R358	272	R368	260	R378	258	R388	258
R329	258	R339	260	---	---	R359	258	R369	258	R379	258	R389	264
R330	264	---	---	R350	258	R360	245	R370	251	R380	258	R390	243

RESISTOR

SYMBOL NO.	INDEX NO.	SYMBOL NO.	INDEX NO.	SYMBOL NO.	INDEX NO.	SYMBOL NO.	INDEX NO.	SYMBOL NO.	INDEX NO.	SYMBOL NO.	INDEX NO.	SYMBOL NO.	INDEX NO.
R391	243	R401	284	R411	256	R421	258	R431	284	---	---	R451	245
---	---	R402	285	R412	245	R422	245	---	---	R442	245	R452	245
R393	260	R403	258	R413	258	R423	245	R433	235	R443	253	R453	244
R394	258	R404	258	R414	245	R424	249	R434	269	R444	245	R454	245
R395	260	R405	258	R415	258	R425	258	R435	258	R445	245	---	---
R396	245	---	---	R416	258	R426	249	R436	235	R446	244	---	---
R397	245	R407	260	R417	284	R427	258	R437	235	R447	242	R457	245
R398	294	R408	258	R418	245	R428	258	R438	235	R448	245	R458	248
R399	245	R409	258	R419	245	R429	284	R439	235	R449	248	R459	246
R400	245	R410	261	R420	258	---	---	R440	258	R450	258	R460	245

RESISTOR

SYMBOL NO.	INDEX NO.	SYMBOL NO.	INDEX NO.	SYMBOL NO.	INDEX NO.	SYMBOL NO.	INDEX NO.	SYMBOL NO.	INDEX NO.	SYMBOL NO.	INDEX NO.	SYMBOL NO.	INDEX NO.
R461	245	R471	260	R481	291	R491	299	R501	244	---	---	R521	244
---	---	R472	253	R482	260	---	---	R502	290	R512	245	---	---
R463	260	R473	245	R483	244	R493	260	R503	244	R513	245	---	---
R464	258	R474	235	R484	286	---	---	R504	298	---	---	R524	258
---	---	R475	235	R485	260	---	---	---	---	R515	244	R525	260
R466	260	R476	235	R486	246	---	---	R506	245	---	---	---	---
R467	260	R477	235	R487	245	---	---	R507	244	R517	245	---	---
R468	260	R478	235	R488	258	R498	244	---	---	R518	245	R528	303
---	---	R479	234	R489	300	R499	245	R509	244	R519	258	---	---
R470	260	R480	234	---	---	R500	249	R510	258	R520	260	R530	245

RESISTOR

SYMBOL NO.	INDEX NO.	SYMBOL NO.	INDEX NO.	SYMBOL NO.	INDEX NO.	SYMBOL NO.	INDEX NO.	SYMBOL NO.	INDEX NO.	SYMBOL NO.	INDEX NO.	SYMBOL NO.	INDEX NO.
R531	245	R541	258	R551	258	R561	258	R571	258	R581	243	---	---
R532	245	R542	258	R552	258	R562	245	R572	279	R582	234	R592	241
R533	242	R543	258	R553	296	R563	258	R573	245	R583	261	---	---
R534	258	R544	258	R554	260	R564	274	R574	258	R584	258	---	---
R535	258	R545	258	R555	260	R565	258	R575	243	R585	261	---	---
R536	258	R546	258	R556	260	R566	258	R576	245	---	---	---	---
R537	250	R547	258	R557	260	R567	258	R577	245	R587	234	R597	300
---	---	R548	245	R558	245	R568	258	R578	258	R588	261	R598	250
R539	258	R549	258	R559	258	R569	245	R579	274	R589	261	---	---
R540	258	R550	245	R560	245	R570	245	R580	243	---	---	---	---

RESISTOR

SYMBOL NO.	INDEX NO.	SYMBOL NO.	INDEX NO.	SYMBOL NO.	INDEX NO.	SYMBOL NO.	INDEX NO.	SYMBOL NO.	INDEX NO.	SYMBOL NO.	INDEX NO.	SYMBOL NO.	INDEX NO.
---	---	R611	280	R621	243	R631	289	R641	245	R651	242	R661	262
---	---	---	---	R622	243	R632	297	R642	258	R652	242	R662	245
---	---	---	---	R623	243	R633	246	R643	245	R653	293	R663	273
---	---	---	---	---	---	R634	286	R644	265	R654	242	R664	262
---	---	---	---	R625	234	R635	233	R645	245	R655	242	R665	245
R606	234	R616	255	R626	234	R636	246	R646	305	R656	242	R666	273
R607	234	R617	255	R627	234	R637	258	R647	260	R657	273	R667	262
R608	234	R618	235	R628	246	R638	246	R648	232	R658	262	R668	245
R609	241	R619	235	R629	246	R639	245	R649	242	R659	245	R669	273
R610	235	---	---	R630	246	R640	265	R650	242	R660	273	R670	262

RESISTOR

SYMBOL NO.	INDEX NO.	SYMBOL NO.	INDEX NO.	SYMBOL NO.	INDEX NO.	SYMBOL NO.	INDEX NO.	SYMBOL NO.	INDEX NO.	SYMBOL NO.	INDEX NO.	SYMBOL NO.	INDEX NO.
R671	245	R681	258	R691	258	R701	264	---	---	R731	272	R741	258
R672	273	R682	267	R692	258	R702	258	R722	244	R732	272	R742	258
R673	262	R683	245	R693	258	R703	258	R723	244	R733	272	R743	258
R674	245	R684	245	R694	258	R704	258	R724	245	R734	272	R744	260
R675	244	---	---	R695	258	---	---	R725	258	R735	258	R745	246
R676	245	R686	246	R696	258	---	---	R726	260	R736	258	---	---
R677	244	R687	246	R697	260	R707	244	R727	272	R737	259	R747	245
R678	244	R688	246	R698	258	R708	244	R728	272	R738	258	R748	244
R679	246	R689	258	R699	258	---	---	R729	272	R739	258	R749	244
R680	258	R690	258	R700	258	R720	244	R730	272	R740	258	R750	244

RESISTOR

SYMBOL NO.	INDEX NO.	SYMBOL NO.	INDEX NO.	SYMBOL NO.	INDEX NO.	SYMBOL NO.	INDEX NO.	SYMBOL NO.	INDEX NO.	SYMBOL NO.	INDEX NO.	SYMBOL NO.	INDEX NO.
---	---	R761	246	R771	302	---	---	R791	246	R801	246	R811	245
R752	258	---	---	R772	306	R782	245	R792	254	R802	245	R812	245
---	---	R763	288	R773	286	R783	245	R793	254	R803	245	R813	245
R754	239	R764	295	R774	301	R784	245	R794	254	R804	245	R814	284
---	---	R765	292	R775	263	R785	245	R795	246	R805	245	R815	284
---	---	R766	287	---	---	---	---	---	---	---	---	---	---
R756	284	---	---	R776	284	R786	245	R796	246	---	---	---	---
R757	235	R768	304	---	---	---	---	R797	246	---	---	---	---
R758	245	R769	286	R778	284	---	---	---	---	R808	245	---	---
R759	244	R769	258	R779	245	R789	284	R799	246	R809	245	---	---
---	---	R770	306	R780	245	---	---	R800	246	R810	245	---	---

RESISTOR

SYMBOL NO.	INDEX NO.	SYMBOL NO.	INDEX NO.
---	---	R1101	284
R902	245	---	---
---	---	R1103	245
---	---	R1104	245
---	---	R1105	284
---	---	---	---
---	---	---	---
---	---	---	---
---	---	R1109	245
---	---	R1110	245

RN

SYMBOL NO.	INDEX NO.	SYMBOL NO.	INDEX NO.	SYMBOL NO.	INDEX NO.	SYMBOL NO.	INDEX NO.	SYMBOL NO.	INDEX NO.	SYMBOL NO.	INDEX NO.
R1111	246	---	---	RN3	230	RN11	230	RN21	227	RN31	165
---	---	---	---	RN4	228	RN12	229	---	---	RN32	231
---	---	---	---	RN5	230	RN13	228	RN23	225	RN33	229
---	---	---	---	---	---	RN14	169	RN24	229	RN34	231
---	---	---	---	---	---	RN15	229	RN25	225	RN35	231
---	---	---	---	---	---	---	---	---	---	---	---
---	---	---	---	---	---	RN16	227	RN26	165	RN36	229
---	---	---	---	---	---	---	---	RN27	229	RN37	230
---	---	---	---	---	---	---	---	RN28	162	RN38	230
---	---	---	---	---	---	RN19	229	RN29	230	RN39	230
---	---	---	---	---	---	---	---	RN30	231	RN40	230

RN

SYMBOL NO.	INDEX NO.	SYMBOL NO.	INDEX NO.	SYMBOL NO.	INDEX NO.	SYMBOL NO.	INDEX NO.	SYMBOL NO.	INDEX NO.	SYMBOL NO.	INDEX NO.	SYMBOL NO.	INDEX NO.
RN41	229	RN51	225	RN61	225	RN71	168	---	---	RN91	230	RN101	163
RN42	227	RN52	163	---	---	RN72	168	RN82	230	RN92	163	RN102	230
RN43	225	RN53	225	RN63	225	RN73	168	---	---	---	---	---	---
RN44	226	RN54	225	RN64	162	RN74	168	---	---	RN94	230	---	---
RN45	225	RN55	225	RN65	226	RN75	168	RN85	230	RN95	167	---	---
RN46	226	---	---	RN66	164	RN76	168	RN86	230	RN96	166	---	---
RN47	225	RN57	225	RN67	162	RN77	168	RN87	230	RN97	230	RN107	163
RN48	225	RN58	162	RN68	164	RN78	168	RN88	163	RN98	163	RN108	225
RN49	225	RN59	225	RN69	226	RN79	168	RN89	230	RN99	229	RN109	225
RN50	225	---	---	---	---	RN80	163	RN90	229	RN100	230	---	---

SWITCH

SYMBOL NO.	INDEX NO.
SW1	112

30.CONTROL BOARD (B156/B220)

CÓPIA NÃO CONTROLADA

Rev. 07/13/2005

Index No.	Part No.	Description	Q'ty Per Assembly
*	B154 5250	Controller Board - B156 [TSB#003]	1
*	B220 5250	Controller Board - B220 [TSB#003]	1
1	B180 5660	ASIC:SHAKER4	1
2	B180 5891	ASIC:TRUMPET3	1

Index No.	Part No.	Description	Q'ty Per Assembly
101	1102 5303	Connector - 4P	
102	1102 7615	Connector - B8B-XH-A	
103	1102 8329	Connector - Usb - UBB-4R-D14C	
104	1102 9336	Connector:FPS009-2300-0	
105	1102 9535	Connector - 200PS-JUK-G-B	
106	1102 9686	Connector - RHM-176P-SDK11-U1L1C	
107	1102 9697	Connector:2-440091-5	
108	1102 9887	Connector:52588-3090	
109	1102 9890	Connector:5-1605706-2	
110	1102 9928	Connector:29 6406 200 000 856	
111	1107 1099	Fuse Sst 5	
112	1204 1543	DIP Switch	
113	1206 0112	Lithium Cell:CR1632/1F2	
114	1400 0730	Transistor - 2SD1782K	
115	1401 1209	IC - HAT2093R	
116	1401 1228	FET:SI3433DV-E3	
117	1401 1296	FET:TPC8115	
118	1401 1320	FET:TPC8107	
119	1402 1336	Diode - 1SS355	
120	1402 1365	Diode-RB751V-40	
121	1402 1698	Diode - RB	
122	1402 1709	Diode:EC21QS06G	
123	1403 1131	LED:SML-311UT	
124	1407 4919	IC - 74VHCT244 TSSOP	
125	1407 5274	CMOS Logic - 74LVCH162244A TSSOP	
126	1407 5300	CMOS Logic - 74LVC16244A TSSOP	
127	1407 5334	IC - CMOS LOGIC 74LVC244A TSSOP	
128	1407 5353	IC - SN74LV244APW	
129	1407 5369	IC - SN74AHCT32PW	
130	1407 5469	IC - SN74LV07APW	
131	1407 5523	ROM - I2C SOP 3V	
132	1407 5604	IC - SN74LVC16245ADGG	
133	1407 5733	IC:SN74ALVC244PW	
134	1407 5868	Ethernet Cont LSI - DP83847ALQA56A	
135	1407 6080	CMOS Logic:SN74LVC2G04DCK	

CÓPIA NÃO CONTROLADA

CÓPIA NÃO CONTROLADA

Index No.	Part No.	Description	Q'ty Per Assembly
136	1407 6100	IC:SN74LVC1G04DCK	
137	1407 6101	IC - SN74LVC2G17DCK	
138	1407 6123	IC SN74LVC2G125DCU	
139	1407 6127	Clock Generator:ICS960008AFLF	
140	1407 6145	IC:SN74LVC373APW	
141	1407 6161	Clock Generator:ICS960009AFLF	
142	1407 6187	CMOS Logic - SN74LVC1G07DCK	
143	1407 6204	CMOS Logic:SN74LVC2G07DCK	
144	1407 6265	Real Time Clock:R2025S	
145	1407 6268	CMOS Logic:SN74CBTLV3257PW	
146	1407 6335	CMOS Logic:SN74LVC1G17DCK	
147	1407 6453	CPU:RM7035C-466L-REV1.1	
148	1408 1750	IC - R3112Q231A	
149	1408 1778	IC:R3112Q101A	
150	1408 1815	IC - R3112Q151A	
151	1408 1826	IC - R3112Q421A	
152	1408 1956	IC:LTC3728LXCUH#TRPBF	
153	1408 1960	IC:LP2996LQ/NOPB	
154	1408 2034	IC:TPS62042DGQ	
155	1408 2053	IC:R3112Q291A-FA	
156	1408 2066	IC:TPS54310PWP	
157	1408 2132	IC:TPS54380PWP	
158	1503 0842	Oscillator - 14.31818MHZ	
159	1503 0947	Crystal Oscilator:25Mhz	
160	1503 1181	Crystal Oscilator:30Mhz	
161	1503 1239	Crystal Oscilator:25Mhz	
162	1601 7887	Resistor Array - 10K Ω \pm 5% 1/32W	
163	1601 7898	Resistor Array	
164	1601 7909	Resistor Array - 10 Ω \pm 5% 1/32W	
165	1601 7913	Resistor 22 Ω \pm 5% 1/32w	
166	1601 7943	Resistor Array - 68 Ω \pm 5% 1/32W	
167	1601 7959	Resistor	
168	1601 7981	Resistor Array - 100K Ω \pm 5%1/16W	
169	1601 7987	Resistor Array - 82 Ω \pm 5% 1/16W	
170	1604 4630	Capacitor - 100 μ F \pm 20% 6.3V	

Index No.	Part No.	Description	Q'ty Per Assembly
171	1604 4728	Capacitor - 100 μ F \pm 20% 16V	
172	1604 4932	Capacitor - 100 μ F \pm 20% 25V	
173	1604 4994	Capacitor - 100 μ F \pm 20% 6.3V	
174	1604 5102	Capacitor:33uf: \pm 20%:16V	
175	1605 1081	Capacitor - 10 μ F+80-20% 25V	
176	1605 1095	Capacitor:180pF: \pm 5%:25V	
177	1605 1124	Capacitor - 4.7 μ F+80 -20% 10V	
178	1605 1165	Capacitor:680pF: \pm 5%:50V	
179	1605 1194	Capacitor:3pf: \pm 0.25pF:50V	
180	1605 1195	Capacitor:4pf: \pm 0.25pF:50V	
181	1605 1200	Capacitor - 10PF \pm 0.5pF 50V	
182	1605 1204	Capacitor-pF50V	
183	1605 1206	Capacitor - 47pF \pm 5% 50V	
184	1605 1207	Capacitor - 68pF \pm 5% 50V	
185	1605 1208	Capacitor:100pF: \pm 5%:50V	
186	1605 1209	Capacitor - 150pF \pm 5% 50V	
187	1605 1210	Capacitor:180pF: \pm 5%:50V	
188	1605 1211	Capacitor - 220pF \pm 10% 50V	
189	1605 1212	Capacitor - 470pF \pm 10% 50V	
190	1605 1214	Capacitor - 1000pF \pm 10% 50V	
191	1605 1216	Capacitor - 2200pF \pm 10%50V	
192	1605 1221	Capacitor - 0.1 UF+80-20%16V	
193	1605 1234	Capacitor:4700pF: \pm 10%:50V	
194	1605 1240	Capacitor - 0.01 μ F \pm 10% 25V	
195	1605 1249	Capacitor:0.047uf: \pm 10%:16V	
196	1605 1282	Capacitor:22uf:+80-20%:10V	
197	1605 1283	Capacitor - 680pF \pm 10% 50V	
198	1605 1284	Capacitor:1500pF: \pm 10%:50V	
199	1605 1289	Capacitor - 0.1 μ F \pm 10% 10V	
200	1605 1295	Capacitor:10uf:+80-20%:10V	
201	1605 1296	Capacitor - 330pF \pm 10% 50V	
202	1605 1303	Capacitor - 0.01 μ F+80-20% 50V	
203	1605 1305	Capacitor - 1 μ F+80-20% 6.3V	
204	1605 1347	Capacitor - 1UF:+80-20%:16V	

CÓPIA NÃO CONTROLADA

CÓPIA NÃO CONTROLADA

Index No.	Part No.	Description	Q'ty Per Assembly	Index No.	Part No.	Description	Q'ty Per Assembly
205	1605 1353	Capacitor - 0.1 μ F \pm 10% 25V		240	1650 4470	Resistor - 47 Ω \pm 5% 1/10W	
206	1605 1354	Capacitor:1200pF: \pm 5%:50V		241	1650 4680	Resistor - 68 Ω \pm 5% 1/10W	
207	1605 1359	Capacitor - 10UF: \pm 20%:16V		242	1650 5100	Chip Resistor - 10 Ω \pm 5% 1/16W	
208	1605 1391	Capacitor - 22UF: \pm 20%:6.3V		243	1650 5101	Chip Resistor - 100 Ω \pm 5% 1/16W	
209	1605 1406	Capacitor - 10 μ F \pm 10% 6.3V		244	1650 5102	Chip Resistor - 1k Ω \pm 5% 1/16W	
210	1605 1416	Capacitor - 1800pF: \pm 5%:50V		245	1650 5103	Chip Resistor - 10k Ω \pm 5% 1/16W	
211	1605 1417	Capacitor:47uf:+80-20%:10V		246	1650 5104	Chip Resistor - 100k Ω \pm 5% 1/16W	
212	1607 0978	Inductor - BLM21P300SPB		247	1650 5105	Chip Resistor - 1m Ω \pm 5% 1/16W	
213	1607 1051	Filter -FBMJ2125HS420		248	1650 5109	Chip Resistor 1 Ω \pm 5% 1/16W	
214	1607 1061	Filter - BLM11P300SPB		249	1650 5122	Chip Resistor - 1.2k Ω \pm 5% 1/16W	
215	1607 1228	Inductor - SLF7045-4R7M2R0		250	1650 5202	Chip Resistor:2k Ω : \pm 5%:1/16W	
216	1607 1351	Filter BLM21PG221SN1B		251	1650 5220	Resistor - 22 Ω \pm 5% 1/16W	
217	1607 1362	Coil - ACM3225-800-2P		252	1650 5221	Chip Resistor - 220 Ω \pm 5% 1/16W	
218	1607 1471	Inductor:LB2518B6R8M		253	1650 5222	Resistor - 2.2K Ω \pm 5% 1/16W	
219	1607 1477	Inductor - RLF7030-4R7M3R4		254	1650 5229	Resistor:2.2 Ω : \pm 5%:1/16w:1005	
220	1607 1489	Filter - MMZ1608B301C		255	1650 5271	Chip Resistor 270 Ω \pm 5% 1/16W	
221	1607 1556	Inductor:RLF7030-1R5N6R1		256	1650 5272	Chip Resistor:2.7k Ω : \pm 5%:1/16W	
222	1607 1557	Filter:BLM21PG331SN1B		257	1650 5273	Resistor:27k Ω : \pm 5%:1/16W	
223	1607 1567	Filter:MPZ2012S101A		258	1650 5330	Chip Resistor - 33 Ω \pm 5% 1/16W	
224	1607 1650	Inductor:RLF7030-6R8M2R8		259	1650 5470	Chip Resistor 47 Ω \pm 5% 1/16W	
225	1609 0005	Resistor:33 Ω : \pm 5%:1/16W		260	1650 5472	Chip Resistor:4.7k Ω : \pm 5%:1/16W	
226	1609 0006	Resistor:10k Ω : \pm 5%:1/16W		261	1650 5512	Chip Resistor 5.1k Ω \pm 5% 1/16W	
227	1609 0007	Resistor - 68 Ω \pm 5% 1/16W		262	1650 5513	Chip Resistor:51k Ω : \pm 5%:1/16W	
228	1609 0008	Resistor:4.7k Ω : \pm 5%:1/16W		263	1650 5514	Chip Resistor:510k Ω : \pm 5%:1/16W	
229	1609 0011	Resistor:22 Ω : \pm 5%:1/16W		264	1650 5560	Chip Resistor 56 Ω \pm 5% 1/16W	
230	1609 0016	Resistor:56 Ω : \pm 5%:1/16W		265	1650 5562	Chip Resistor:5.6k Ω : \pm 5%:1/16W	
231	1609 0026	Resistor - 47 Ω \pm 5% 1/16W		266	1650 5621	Chip Resistor 620 Ω \pm 5% 1/16W	
232	1610 1734	Resistor:0.02 Ω : \pm 1%:1W		267	1650 5680	Resistor - 68 Ω \pm 5% 1/16W	
233	1610 1804	Resistor:0.006 Ω : \pm 1%:1W		268	1650 5681	Chip Resistor:680 Ω : \pm 5%:1/16W	
234	1632 0000	Resistor - 0 Ω 1/8W		269	1650 5683	Chip Resistor 68k Ω \pm 5% 1/16W	
235	1634 0000	Resistor - 0 Ω 1/16W		270	1650 5750	Chip Resistor:75 Ω : \pm 5%:1/16W	
236	1650 4100	Resistor - 10 Ω \pm 5% 1/10W		271	1650 5820	Chip Resistor:82 Ω : \pm 5%:1/16W	
237	1650 4150	Resistor - 15 Ω \pm 5% 1/10W		272	1650 5822	Chip Resistor:8.2k Ω : \pm 5%:1/16W	
238	1650 4220	Resistor:22 Ω : \pm 5%:1/10W:1608		273	1650 5823	Chip Resistor:82k Ω : \pm 5%:1/16W	
239	1650 4330	Chip Resistor - 33 Ω \pm 5% 1/10W		274	1653 4999	Resistor - 49.9 Ω \pm 1% 1/8W	

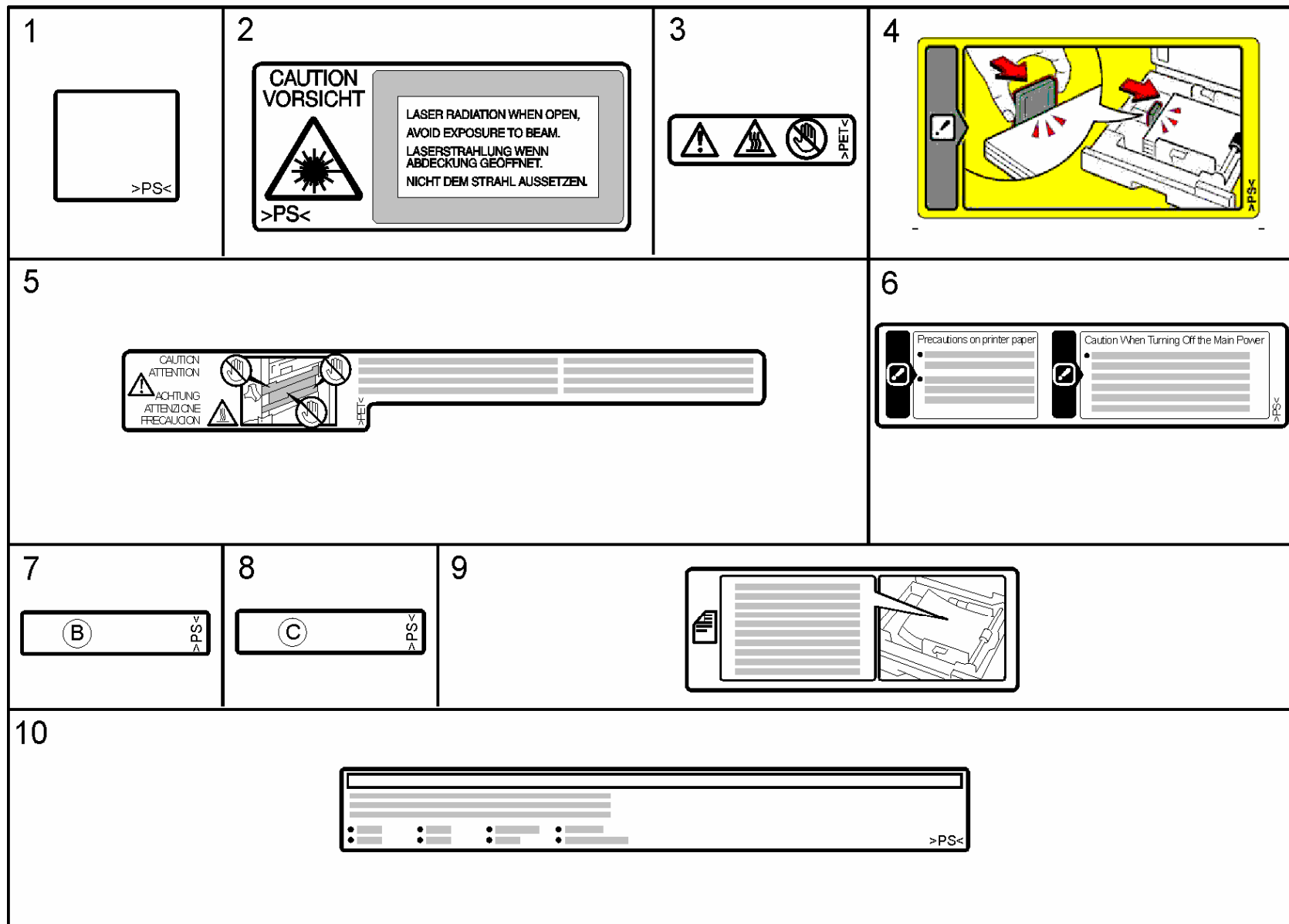
CÓPIA NÃO CONTROLADA

CÓPIA NÃO CONTROLADA

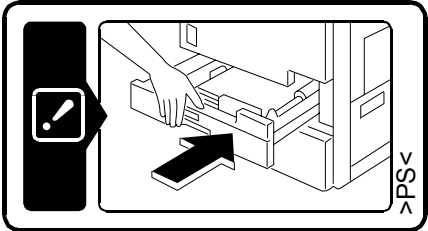




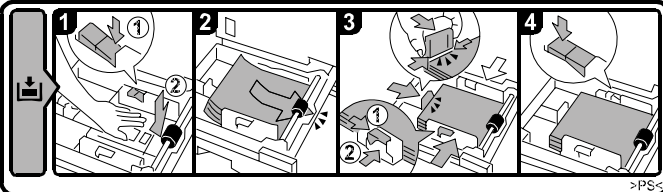

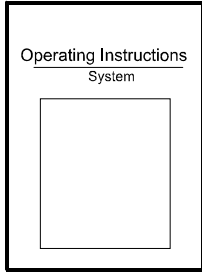
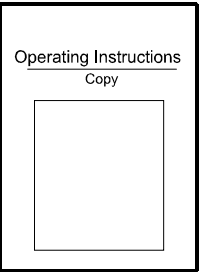
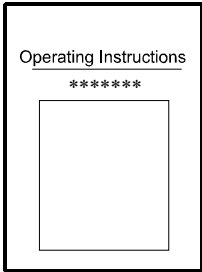
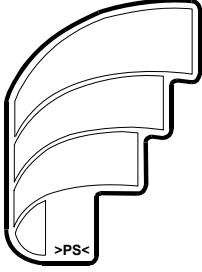
Index No.	Part No.	Description	Q'ty Per Assembly
275	1653 5499	Resistor - 54.9Ω ±1% 1/8W	
276	1654 1000	Resistor - 100Ω ±1% 1/10W	
277	1654 1001	Resistor - 1KΩ±1%1/10W	
278	1654 1004	Chip Resistor - 1mΩ ±1% 1/10W	
279	1654 1501	Resistor - 1.5K Ω ±1% 1/10W 1608	
280	1654 1502	Resistor - 15KΩ±1% 1/10W	
281	1654 3609	Resistor - 36Ω±1%1/10W	
282	1654 8201	Resistor - 8.2KΩ ±1% 1/10W	
283	1654 9761	Resistor:9.76kΩ ±1% 1/10W	
284	1655 0000	Chip Resistor - 0Ω±0%1/16W	
285	1655 1000	Chip Resistor:100Ω:±1%:1/16W	
286	1655 1002	Chip Resistor - 10kΩ±1%1/16W	
287	1655 1022	Resistor:10.2k Ω:±1%:1/16W	
288	1655 1301	Chip Resistor:1.3kΩ:±1%:1/16W	
289	1655 1602	Resistor:16k Ω:±1%:1/16W	
290	1655 1651	Resistor:1.65k Ω:±1%:1/16W:1005	
291	1655 1800	Chip Resistor:180Ω:±1%:1/16W	
292	1655 1912	Resistor:19.1k Ω:±1%:1/16W	
293	1655 2002	Chip Resistor - 20kΩ±1%1/16W	
294	1655 2152	Chip Resistor:21.5kΩ:±1%:1/16W	
295	1655 2742	Resistor:27.4k Ω:±1%:1/16W	
296	1655 3000	Chip Resistor:300Ω:±1%:1/16W	
297	1655 3402	Resistor:34k Ω:±1%:1/16W	
298	1655 3900	Resistor:390 Ω:±1%:1/16W	
299	1655 4321	Resistor:4.32k Ω:±1%:1/16W	
300	1655 4701	Chip Resistor - 4.7kΩ±1%1/16W	
301	1655 4870	Resistor:487 Ω:±1%:1/16W	
302	1655 6341	Resistor:6.34k Ω:±1%:1/16W	
303	1655 6342	Resistor:63.4k Ω:±1%:1/16W	
304	1655 7152	Resistor:71.5k Ω:±1%:1/16W	
305	1655 8251	Resistor:8.25k Ω:±1%:1/16W	
306	1655 9761	Resistor:9.76k Ω:±1%:1/16W	
307	1660 2121	Capacitor - 120pF ±5% 50V	
308	1660 4102	Capacitor - 1000pF ±10% 50V	
309	1660 4472	Capacitor - 4700pF±10% 50V	

Index No.	Part No.	Description	Q'ty Per Assembly
310	1906 0076	Flash Memory:MBM29QL12LM12PCN	

CÓPIA NÃO CONTROLADA



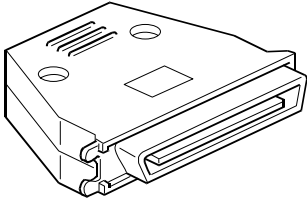
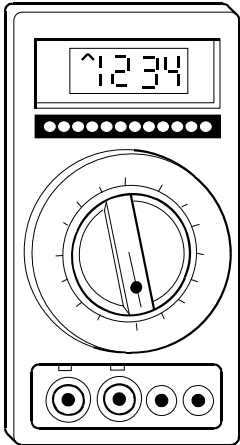
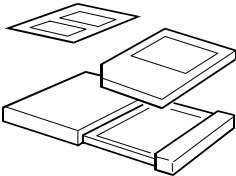
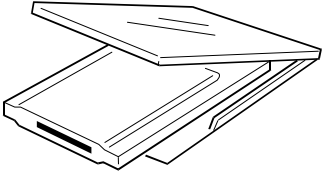
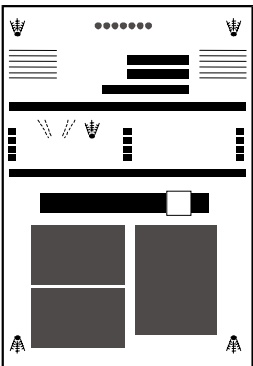
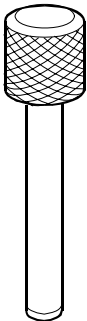
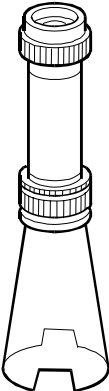
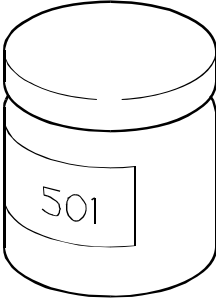
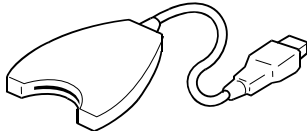
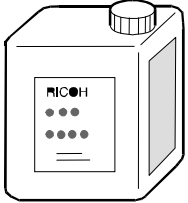
31.DECAL AND DOCUMENTS (B156/B220) CÓPIA NÃO CONTROLADA

<p>11</p> 	<p>12</p> 	<p>13</p> 	<p>14</p> 	<p>15</p> 																																			
<p>16</p> 		<p>17</p> <table border="1"> <tr> <td>1</td><td></td><td><input type="text"/></td><td>A3</td><td>A4</td><td>A5</td><td>8 1/2 X 11</td></tr> <tr> <td>2</td><td></td><td><input type="text"/></td><td>A3</td><td>A4</td><td>11 X 17</td><td>8 1/2 X 11</td></tr> <tr> <td>3</td><td></td><td><input type="text"/></td><td>A4</td><td>B4</td><td>11 X 17</td><td>8 1/2 X 11</td></tr> <tr> <td></td><td></td><td><input type="text"/></td><td>A4</td><td>B5</td><td>8 1/2 X 14</td><td>8 1/2 X 11</td></tr> <tr> <td></td><td></td><td><input type="text"/></td><td>A4</td><td>B5</td><td>8 1/2 X 14</td><td>8 1/2 X 11</td></tr> </table>			1		<input type="text"/>	A3	A4	A5	8 1/2 X 11	2		<input type="text"/>	A3	A4	11 X 17	8 1/2 X 11	3		<input type="text"/>	A4	B4	11 X 17	8 1/2 X 11			<input type="text"/>	A4	B5	8 1/2 X 14	8 1/2 X 11			<input type="text"/>	A4	B5	8 1/2 X 14	8 1/2 X 11
1		<input type="text"/>	A3	A4	A5	8 1/2 X 11																																	
2		<input type="text"/>	A3	A4	11 X 17	8 1/2 X 11																																	
3		<input type="text"/>	A4	B4	11 X 17	8 1/2 X 11																																	
		<input type="text"/>	A4	B5	8 1/2 X 14	8 1/2 X 11																																	
		<input type="text"/>	A4	B5	8 1/2 X 14	8 1/2 X 11																																	
<p>18</p> 	<p>19</p> 	<p>20</p> 	<p>21</p> 	<p>22</p> 																																			

CÓPIA NÃO CONTROLADA

CÓPIA NÃO CONTROLADA

CÓPIA NÃO CONTROLADA

<p>1</p> 	<p>2</p> 	<p>3</p> 	<p>4</p> 
<p>5</p> 	<p>6</p> 	<p>7</p> 	<p>8</p> 
			<p>9</p> 
<p>10</p> 			

32.SPECIAL TOOLS (B156/B220)

CÓPIA NÃO CONTROLADA

Rev. 09/2005

Index No.	Part No.	Description	Q'ty Per Assembly
1	G021 9350	Loopback Connector - Parallel	1
2	A029 9387	Digital Multimeter - FLUKE87	1
3	B645 5010	SD-Card:Ass'y	1
4	B645 6700	SD-Card:Adapter:BN-SDAA2	1
5	A092 9503	C4 Color Test Chart (3 PCS/Set)	1
6	A006 9104	Adjusting Scanner Pin (4PCS/Set)	1
7	C401 9503	20X Magnification Scope	1
8	5203 9501	Grease 501	1
9	B645 6800	SD-Card:USB:Writer:BN-SDCE2	1
10	A257 9100	Silicone Oil Type SS - Ricoh [TSB#005]	1
10	A257 9550	Silicone Oil Type SS - Plain [TSB#005]	1

Index No.	Part No.	Description	Q'ty Per Assembly

CÓPIA NÃO CONTROLADA

CÓPIA NÃO CONTROLADA

CÓPIA NÃO CONTROLADA

CÓPIA NÃO CONTROLADA

B156/B220 PARTS INDEX

CÓPIA NÃO CONTROLADA

CÓPIA NÃO CONTROLADA

CÓPIA NÃO CONTROLADA

CÓPIA NÃO CONTROLADA

This section instructs you as to the numbers and names of parts on this machine.

CÓPIA NÃO CONTROLADA

PM Parts Index

CÓPIA NÃO CONTROLADA

Section Name	Part No.	Description in Service Manual	Description in Parts Catalog	Q'ty Per Assembly	Page and Index No.	
EXTERIOR 1 (B156/B220)	AA01 2125	Dust Filter	Filter:Exhaust:Scanner	2	9 - 22	
	AA01 2123	Dust Filter - Scanner	Filter:Exhaust	1	9 - 24	
	AA01 2124	Exhaust Filter	Filter:Duct:Exhaust	1	9 - 32	
	AA01 0113	Ozone Filter	Ozone Filter	1	9 - 33	
PAPER TRAY 1 (B156/B220)	B154 2722	Friction Pad	Friction Pad:Ass'y	1	21 - 23	
	B154 2722	Friction Pad	Friction Pad:Ass'y	1	21 - 23	
	AF03 1084	Paper Feed Roller - 36mm	Paper Feed Roller Mm36	1	21 - 25	
PAPER TRAY 2 (B156/B220)	AF03 1084	Paper Feed Roller - 36mm	Paper Feed Roller Mm36	1	23 - 25	
PCU UNIT (B156/B220)	B214 2300	Photoconductor Conductor Unit	Photo Conductor Unit	1	33 - *	
	B214 2301	Photoconductor Conductor Unit	Photo Conductor Unit	1	33 - *	
	B051 2100	Waste Toner Bottle - OPC Belt	Waste Toner Bottle - OPC Belt	1	33 - 2	
	B051 6311	Waste Toner Bottle - Transfer Belt	Case:Toner Recycling:Ass'y	1	33 - 3	
	G070 2110	Charge Corona Wire	Corona Wire:Charge Corona	1	33 - 10	
	G070 2156	Charge Corona Grid	Charge Corona Grid	1	33 - 13	
	G070 2168	Charge Corona Cleaner	Charge Corona Cleaner	1	33 - 34	
	DEVELOPMENT UNIT (B156/B220)	B154 0152	Development Unit - BK	Development Unit - BK	1	35 - 27
		B154 0157	Development Unit - BK	Development Unit:Supply: BK-DOM	1	35 - 27
		B154 0154	Development Unit - M	Development Unit - M	1	35 - 28
		B154 0158	Development Unit - M	Development Unit:Supply: M-DOM	1	35 - 28
		B154 0156	Development Unit - Y	Development Unit - Y	1	35 - 29
		B154 0160	Development Unit - Y	Development Unit:Supply: Y-DOM	1	35 - 29
		B154 0155	Development Unit - C	Development Unit - C	1	35 - 30
B154 0161		Development Unit - C	Development Unit:Supply: C-DOM	1	35 - 30	
FUSING UNIT 1 (B156/B220)		B154 4031	Fusing Unit - Fusing Belt Assembly	Fusing Unit - 230V	1	37 - *
		B154 4010	Pick-off Pawl - Pressure Roller	Pickoff Pawl:Pressure Roller:Ass'y	1	37 - 1
	G070 4138	Absorber - Lower Fusing Cover	Absorber - Lower Fusing Cover	1	37 - 21	
	G070 4136	Spring Plate - Front Fusing Cover	Spring Plate - Front Fusing Cover	1	37 - 22	
	G070 4137	Spring Plate - Rear Fusing Cover	Spring Plate - Rear Fusing Cover	1	37 - 23	
	FUSING UNIT 2 (B156/B220)	B154 4026	Fusing Unit - Fusing Belt Assembly	Fusing Unit - 120V	1	39 - *
AE02 0132		Pressure Roller - Assembly	Pressure Roller - Assembly	1	39 - 20	
AB01 1435		Gear - 47Z	Gear - 47Z	1	39 - 21	
AB01 7570		Idler Gear - 28Z/35Z	Idler Gear - 28Z/35Z	1	39 - 22	
G070 4073		Front Oil Tank Absorber	Front Oil Tank Absorber	1	39 - 26	
G070 4066		Rear Oil Absorber	Rear Oil Absorber	1	39 - 29	
G070 4065		Front Oil Absorber	Front Oil Absorber	1	39 - 32	

CÓPIA NÃO CONTROLADA

CÓPIA NÃO CONTROLADA

Section Name	Part No.	Description in Service Manual	Description in Parts Catalog	Q'ty Per Assembly	Page and Index No.
FUSING UNIT 3 (B156/B220)	G070 4074	Oil Tank Absorber - Long	Oil Tank Absorber - Long	1	39 - 33
	AE04 0048	Oil Supply Roller - Oil Supply	Oil Supply Roller - Oil Supply	1	39 - 34
	AE04 0047	Oil Apply Roller - Oil Supply	Oil Apply Roller - Oil Supply	1	39 - 35
	G070 4072	Front Oil Tank Absorber	Front Oil Tank Absorber	1	39 - 37
	B154 4119	Cleaning Roller - Pressure Sub-Unit	Cleaning Roller:Pressure Sub-unit	1	39 - 39
	B154 4302	Felt Wick - Assembly	Felt Wick:Ass'y	1	41 - 4
	G070 4217	Sponge Roller	Sponge Roller	1	41 - 9
	B154 4218	Fusing Cleaning Roller	Fusing Cleaning Roller:DIA10	1	41 - 16

Parts Index

CÓPIA NÃO CONTROLADA

Part No.	Description	Page and Index No.
B156 1250	Cover:Exit	11 - 8
B156 1251	Cover:Exit:Right	11 - 5
B156 1252	Cover:Exit:Upper	11 - 6
B156 1253	Cover:Exit:Rear (EU)	11 - 10
B156 1254	Cover:Exit:Rear:Cap (EU)	11 - 11
B156 1255	Cover:Exit:Connecting:Cap (EU)	11 - 9
B156 1259	Door:Front (NA/Asia)	9 - 1
B156 1260	Cover:Right Front (EU)	9 - 42
B156 1270	Cover:Right Rear (EU)	9 - 37
B156 1271	Cap:Gate (EU)	9 - 38
B156 1280	Cover:Left (EU)	9 - 15
B156 1290	Cover:Left Upper (EU)	11 - 12
B156 1310	Cover:Rear (EU)	9 - 18
B156 1311	Cover:Rear Lower (EU)	9 - 35
B156 1315	Cover:Rear:Duplex (EU)	9 - 34
B156 1316	Cover:Rear:Cap (EU)	9 - 26
B156 1317	Cover:Filter:Rear:Development (EU)	9 - 23
B156 1320	Cover:Filter:Rear (EU)	9 - 27
B156 1322	Cover:Oil Tank (EU)	9 - 20
B156 1323	Cover:Filter:Maintenance (EU)	9 - 31
B156 1326	Cover:Filter:Rear:Small (EU)	9 - 25
B156 1340	Cover:Scanner:Rear (EU)	11 - 21
B156 1341	Cover:Scanner:Left (EU)	11 - 13
B156 1342	Cover:Scanner:Right (EU)	11 - 22
B156 1345	Cover:Scanner:Front (EU)	11 - 3
B156 1380	Cap:Duplex:Rear (EU)	9 - 40
B156 1390	Cover:Exterior:Development Unit (EU)	9 - 17
B156 1684	Lens:Holder:Ass'y	15 - 7
B156 2701	Paper Tray:EXP:Ass'y	21 - 1
B156 2702	Paper Tray:2nd:EXP:Ass'y	23 - 1
B156 7505	Operating Instructions:System:RIC:NA:English	9 - 21
B156 7505	Operating Instructions:System:RIC:NA:English	99 - 19
B156 7509	Operating Instructions:Copy:RIC:NA:English	9 - 43
B156 7509	Operating Instructions:Copy:RIC:NA:English	99 - 20
B156 7520	Model Name Plate: Ricoh (B156)	9 - 3

Part No.	Description	Page and Index No.
B156 7521	Model Name Plate: Savin (B156)	9 - 3
B156 7522	Model Name Plate: GES (B156)	9 - 3
B156 7523	Model Name Plate: LAN (B156)	9 - 3
B156 7524	Model Name Plate: INF (B156)	9 - 3
B156 7525	Model Name Plate: NRG:NSA (B156)(EU)	9 - 3
B156 7526	Model Name Plate: NRG:REX (B156)(EU)	9 - 3
B156 7527	Model Name Plate: NRG:GES (B156)(EU)	9 - 3
B156 7540	Operating Instructions:System:RIC:AA:English	99 - 19
B156 7540	Operating Instructions:System:RIC:AA:English	9 - 21
B156 7541	Operating Instructions:Copy:RIC:AA:English	99 - 20
B156 7541	Operating Instructions:Copy:RIC:AA:English	9 - 43
B156 7551	Operating Instructions:Printer:English	99 - 21
B156 7551	Operating Instructions:Printer:English	9 - 43
B156 7571	Operating Instructions:Security:English	99 - 21
B156 7571	Operating Instructions:Security:English	9 - 43
B220 1394	Sheet:Operate: EXP	9 - 7
B220 7520	Model Name Plate: Ricoh (B220)	9 - 3
B220 7521	Model Name Plate: Savin (B220)	9 - 3
B220 7522	Model Name Plate: GES (B220)	9 - 3
B220 7523	Model Name Plate: LAN (B220)	9 - 3
B220 7524	Model Name Plate: INF (B220)	9 - 3
B220 7525	Model Name Plate: NRG:NAS (B220)(EU)	9 - 3
B220 7526	Model Name Plate: NRG:REX (B220)(EU)	9 - 3
B220 7527	Model Name Plate: NRG:GES (B220)(EU)	9 - 3

CÓPIA NÃO CONTROLADA

CÓPIA NÃO CONTROLADA

Part No.	Description	Page and Index No.
A006 9104	Adjusting Scanner Pin (4PCS/Set)	101 - 6
A029 9387	Digital Multimeter - FLUKE87	101 - 2
A092 9503	C4 Color Test Chart (3 PCS/Set)	101 - 5
A096 3863	Spacer - 4x6x1	33 - 9
A166 1363	Hinge Pin	9 - 5
A172 7611	Positioning Pin	33 - 12
A172 7650	Slider Ring	33 - 43
A193 1759	Stepped Screw	11 - 14
A193 1766	Wire Clamp	17 - 12
A193 1767	1st Mirror Holder	17 - 33
A193 1769	Clamp - Rear Wire	17 - 14
A193 1793	Scanner Home Sensor Stopper	15 - 11
A193 1816	1st Slide Rail	17 - 26
A232 1284	Spring Holder	27 - 7
A232 5355	IC - GATEX	79 - 1
A250 1752	Exposure Glass	11 - 18
A250 1821	Heater - 9W (120V)	17 - 34
A250 1822	Heater - 9W (230V)	17 - 34
A257 3490	Cap - 20mm	33 - 41
A259 1522	Decal - Inner Cover	99 - 1
A259 1522	Decal - Inner Cover	9 - 8
A267 1855	Wire Pulley - M18	17 - 31
A267 2674	Bushing - Registration Roller	31 - 11
A267 2685	Bushing - Driven Roller	29 - 10
A267 2869	Gear - 16Z	23 - 11
A267 2869	Gear - 16Z	21 - 11
A267 4476	Feeler - Paper Feed Sensor	43 - 6
A267 4478	Feeler - Paper Overflow	43 - 1
A860 2560	Roller - Guide	25 - 1
B024 1680	Left Scale (EU)	11 - 17
B024 1701	Inner Back Scale	11 - 19
B024 1841	Front Left Bracket - Idler	17 - 6
B024 1845	Rear Left Bracket - Idler	17 - 7
B039 1364	Rivet - M7	9 - 19
B039 2727	Bushing - 8x12x10	21 - 20

Part No.	Description	Page and Index No.
B039 2727	Bushing - 8x12x10	23 - 20
B051 1076	Frame - Right Front Upper	61 - 13
B051 1079	Grip Bracket - Left Front	51 - 20
B051 1086	Gear Cover	59 - 21
B051 1091	Rear Left Frame - Lengthwise	61 - 22
B051 1092	Rear Right Frame - Lengthwise	61 - 25
B051 1093	Rear Upper Frame	61 - 23
B051 1101	Right Middle Stay	61 - 15
B051 1102	Stay - Right Upper Assembly	61 - 14
B051 1104	Arm - Scanner	61 - 3
B051 1105	Supporting Plate - Left Scanner	17 - 8
B051 1111	Rail - Left Front	51 - 19
B051 1113	Front Right Bracket - Scanner	17 - 24
B051 1114	Rear Right Bracket - Scanner	17 - 23
B051 1126	Connector Gate Bracket	61 - 24
B051 1128	Stopper - Link	51 - 32
B051 1131	FCC Cover	49 - 21
B051 1132	Grip Bracket - Front Right	51 - 30
B051 1133	Grip Bracket - Rear Left	59 - 12
B051 1134	Grip Bracket - Rear Right	59 - 3
B051 1253	Cover - Rear Exit (NA/Asia)	11 - 10
B051 1254	Rear Exit Cover - Cap (NA/Asia)	11 - 11
B051 1255	Exit Connecting Cover - Cap (NA/Asia)	11 - 9
B051 1260	Right Front Cover (NA/Asia)	9 - 42
B051 1271	Gate Cap (NA/Asia)	9 - 38
B051 1273	Gap Absorber Seal - 10x18x4	9 - 45
B051 1280	Left Cover (NA/Asia)	9 - 15
B051 1290	Left Upper Cover (NA/Asia)	11 - 12
B051 1300	Paper Exit Cover - Sub Unit	11 - 2
B051 1315	Rear Cover - Duplex (NA/Asia)	9 - 34
B051 1316	Rear Cover - Cap (NA/Asia)	9 - 26
B051 1317	Rear Filter Cover - Development (NA/Asia)	9 - 23
B051 1320	Rear Filter Cover (NA/Asia)	9 - 27
B051 1323	Filter Cover (NA/Asia)	9 - 31
B051 1324	Seal - Filter Cover	9 - 29

CÓPIA NÃO CONTROLADA

CÓPIA NÃO CONTROLADA

Part No.	Description	Page and Index No.
B051 1325	Lower Cover - Fan Motor	9 - 36
B051 1326	Rear Small Cover - Filter (NA/Asia)	9 - 25
B051 1328	Seal - Filter Cover	9 - 30
B051 1331	Bracket - Rear Lower Cover	49 - 23
B051 1340	Rear Cover - Scanner (NA/Asia)	11 - 21
B051 1341	Left Cover - Scanner (NA/Asia)	11 - 13
B051 1342	Right Cover - Scanner (NA/Asia)	11 - 22
B051 1345	Front Cover - Scanner (NA/Asia)	11 - 3
B051 1347	Caution Chart Decal - English	11 - 4
B051 1347	Caution Chart Decal - English	99 - 10
B051 1359	Right Cover - Vertical Transport	29 - 1
B051 1360	Cover - Main Switch	9 - 2
B051 1365	Front Transfer Guide	29 - 31
B051 1371	Inner Right Lower Cover	9 - 9
B051 1380	Rear Cap - Duplex (NA/Asia)	9 - 40
B051 1482	Keytop - ACS	13 - 11
B051 1485	Case - Operation Panel(NA/Asia)	13 - 32
B051 1491	Keytop - 10key (AA)	13 - 28
B051 1727	Frame:Scanner:Front	15 - 1
B051 1800	Bracket - Document Feeder Hinge	15 - 14
B051 1801	Sheet Through Bracket - DF	15 - 5
B051 1802	IOB Scanner Bracket	17 - 22
B051 1803	Seal - Exposure Glass	15 - 6
B051 1814	Bracket:Original Sensor	15 - 8
B051 2100	Waste Toner Bottle - OPC Belt	33 - 2
B051 2160	Charge Corona Assembly	33 - 1
B051 2368	Upper Supporting Stay	61 - 6
B051 2547	Heater Assembly (120V)	51 - 24
B051 2548	Heater Assembly (230V)	51 - 24
B051 2550	Bracket - Paper End Sensor2	25 - 18
B051 2551	Cover - Vertical Transport	25 - 8
B051 2553	Upper Guide Plate - Paper Feed2	25 - 6
B051 2557	Compression Spring	25 - 11
B051 2558	Stopper Band	25 - 13
B051 2568	Guide Plate - Paper Feed2	25 - 4

Part No.	Description	Page and Index No.
B051 2581	Decal - End Fence	23 - 17
B051 2581	Decal - End Fence	99 - 4
B051 2581	Decal - End Fence	21 - 17
B051 2610	Guide Plate - Vertical Transport	25 - 7
B051 4101	Upper Cover - Fusing	37 - 10
B051 4103	Knob Screw - 4M	37 - 2
B051 4108	Front Cover - Fusing	37 - 8
B051 4116	Bushing - Cleaning Roller	39 - 40
B051 4118	Torsion Spring - Rear	39 - 41
B051 4120	Torsion Spring - Front	39 - 42
B051 4138	Roller Clutch - 4mm	39 - 38
B051 4146	Guide:Fusing Exit	37 - 7
B051 4147	Guide:Fusing Exit:Auxiliary	37 - 28
B051 4148	Guide:Fusing Exit:Both Ends	37 - 29
B051 4149	Guide:Fusing Exit:Auxiliary:Both Ends	37 - 24
B051 4301	Cover - Oil Supply Unit	41 - 2
B051 4305	Oil Tank - Oil Application Unit	41 - 5
B051 4307	Dual Sided Tape	41 - 8
B051 4309	Spring Plate - Tension Roller	41 - 14
B051 4311	Spacer:Oil Tank	41 - 25
B051 4312	Oil Tank Packing	37 - 3
B051 4319	Oil Tank Guide	41 - 19
B051 4351	Oil Tank	49 - 29
B051 4352	Oil Tank Bracket	49 - 27
B051 4353	Oil Tank Lower Bracket	49 - 22
B051 4355	Oil Supply Tube	47 - 6
B051 4359	Nozzle Bracket	47 - 8
B051 4360	Silicone Oil Nozzle	47 - 7
B051 4361	Cap - Oil Tank Assembly	49 - 34
B051 4370	Rail Spacer - 18.5x19.5x3.3	61 - 30
B051 4619	Bracket - Magnetic Clutch1	59 - 8
B051 4620	Bracket - Magnetic Clutch2	59 - 10
B051 5403	Harness:Fusing Exit:Connecting	43 - 23
B051 5424	Fusing Unit Harness	37 - 17
B051 5425	FFC LD Harness	19 - 11

CÓPIA NÃO CONTROLADA

CÓPIA NÃO CONTROLADA

Part No.	Description	Page and Index No.
B051 5434	Connector:Manual Feed:Machine or Copier	49 - 1
B051 5500	IC - RL5C610	71 - 1
B051 5501	Converter - M38034M4-091FP	71 - 2
B051 5845	Cooling Duct - Left Development	47 - 20
B051 5846	Cooling Duct - Right Development	47 - 19
B051 5860	Bracket - Total Counter	51 - 16
B051 5861	Bracket - Main Switch	51 - 17
B051 5866	Bracket - Power Supply Cord	49 - 7
B051 5867	Stay:Guide Plate:Lower	49 - 6
B051 5874	Connector Bracket	49 - 2
B051 5892	Duct - Lower Charge	49 - 32
B051 5894	Duct - Upper Charge	49 - 30
B051 5964	Shield:Duct:Exhaust:Fusing	47 - 24
B051 5965	Seal - Duct	47 - 23
B051 5970	Cooling Duct - Scanner Assembly	47 - 1
B051 6231	Transport Guide Assembly	29 - 21
B051 6243	Terminal Cover Sheet	29 - 29
B051 6311	Case:Toner Recycling:Ass'y	33 - 3
B065 1371	Cloth Holder	9 - 49
B065 1374	Cloth - DF Exposure Glass	9 - 50
B070 5670	Right Rail	45 - 11
B070 5671	Left Rail	45 - 10
B101 5160	IC:MB87M1480175	71 - 3
B101 5993	Interface Panel O/O (GOTENBA)	45 - 18
B132 1531	Panel:Logo	9 - 44
B132 5501	IC:RB5C609	71 - 4
B154 0152	Development Unit - BK	35 - 27
B154 0154	Development Unit - M	35 - 28
B154 0155	Development Unit - C	35 - 30
B154 0156	Development Unit - Y	35 - 29
B154 0157	Development Unit - Supply - BK	35 - 27
B154 0158	Development Unit - Supply - M	35 - 28
B154 0160	Development Unit - Supply - Y	35 - 29
B154 0161	Development Unit - Supply - C	35 - 30
B154 1053	Cap:Grip	9 - 47

Part No.	Description	Page and Index No.
B154 1058	Grip	51 - 21
B154 1058	Grip	59 - 2
B154 1059	Grip:Right	51 - 29
B154 1068	Stay:Left Lower:Ass'y	35 - 18
B154 1076	Rail:Fusing:Machine or Copier	61 - 17
B154 1086	Stopper:Arm	61 - 31
B154 1205	Cover:Front:Right Upper: (NA/Asia)	11 - 1
B154 1250	Door:Front (EU)	9 - 1
B154 1270	Cover:Right Rear (NA/Asia)	9 - 37
B154 1291	Damper:Cover:Exterior:Development Unit	9 - 46
B154 1296	Duct:Fan:Fusing:1	47 - 11
B154 1297	Duct:Fan:Fusing:2	47 - 21
B154 1310	Cover:Rear (NA/Asia)	9 - 18
B154 1311	Cover:Rear Lower:DOM (NA/Asia)	9 - 35
B154 1322	Cover:Oil Tank (NA/Asia)	9 - 20
B154 1455	Operation Sub-unit: NA:Ass'y	13 - 1
B154 1456	Operation Sub-unit: EU:Ass'y	13 - 1
B154 1458	Operation Sub-unit: AA:Ass'y	13 - 1
B154 1805	Stepper Motor:Ass'y	17 - 20
B154 1825	Bracket:Stabilizer	15 - 18
B154 1826	Cover:Sensor:AKS	15 - 20
B154 1852	Imaging Unit	19 - *
B154 1879	Sync Detector:Ass'y	19 - 8
B154 1975	Polygon Scanner	19 - 12
B154 2051	OPC Cleaning Unit	33 - 39
B154 2119	Front Positioning Plate	33 - 16
B154 2120	Rear Positioning Plate	33 - 17
B154 2140	Terminal:Charge Corona	53 - 4
B154 2174	Knob Screw:Charge Corona	33 - 26
B154 2583	Decal - OHP Paper Feed	23 - 6
B154 2583	Decal:Paper Tray:Remover	99 - 11
B154 2583	Decal - OHP Paper Feed	21 - 6
B154 2620	Rail:Right:Ass'y	61 - 19
B154 2712	Side Fence:Front:Ass'y	21 - 3
B154 2712	Side Fence:Front:Ass'y	23 - 3

CÓPIA NÃO CONTROLADA

CÓPIA NÃO CONTROLADA

Part No.	Description	Page and Index No.
B154 2716	Side Fence:Rear:Ass'y	23 - 15
B154 2716	Side Fence:Rear:Ass'y	21 - 15
B154 2722	Friction Pad:Ass'y	21 - 23
B154 2722	Friction Pad:Ass'y	23 - 23
B154 2726	Shaft:Paper Feed Roller:Ass'y	23 - 22
B154 2726	Shaft:Paper Feed Roller:Ass'y	21 - 22
B154 2862	Roller:Driven:Ass'y	29 - 5
B154 2862	Roller:Driven:Ass'y	25 - 12
B154 3232	Side Plate:Rear:Development	35 - 7
B154 4009	Fusing Unit:Fusing Belt:Ass'y	39 - 46
B154 4010	Pickoff Pawl:Pressure Roller:Ass'y	37 - 1
B154 4026	Fusing Unit - 120V	37 - *
B154 4026	Fusing Unit - 120V	39 - *
B154 4031	Fusing Unit - 230V	39 - *
B154 4031	Fusing Unit - 230V	37 - *
B154 4107	Side Plate:Pressure Sub-unit:Rear:Peen	39 - 44
B154 4116	Side Plate:Pressure Sub-unit:Front:Peen	39 - 43
B154 4119	Cleaning Roller:Pressure Sub-unit	39 - 39
B154 4218	Fusing Cleaning Roller:DIA10	41 - 16
B154 4290	Cover:Sensor	61 - 29
B154 4300	Oil Application Unit:Ass'y	41 - 1
B154 4302	Felt Wick:Ass'y	41 - 4
B154 4306	Positioning Sensor - Overflow	41 - 7
B154 4320	Bracket Assembly	41 - 13
B154 4354	Tube:Pump-up	47 - 4
B154 4356	Tube	49 - 26
B154 4358	Pump	47 - 5
B154 4521	Stepper Motor:MM56:Ass'y	59 - 19
B154 4607	Shaft:Development:On-Off:FC	35 - 26
B154 4611	Bracket:Drive:Development:Ass'y	55 - 6
B154 4615	Bracket:Drive:Paper Feed:Ass'y	59 - 22
B154 4700	Drive Unit	55 - 2
B154 4732	Fly Wheel:MM140	55 - 1
B154 4741	Tightener	57 - 31
B154 4801	Bracket:Transport:Ass'y	57 - 2

Part No.	Description	Page and Index No.
B154 4806	Bracket:Transport	57 - 3
B154 4820	DC Solenoid:On-Off:Peen	57 - 13
B154 4825	Bracket:Arm	57 - 5
B154 4832	Shaft:On-Off:Second	57 - 20
B154 4907	Shaft:Feed:Drive:Ass'y	59 - 9
B154 4908	Tightener:Paper Feed:Ass'y	59 - 17
B154 4920	Bracket:Drive:Exit	43 - 28
B154 5120	PCB:IOB	47 - 13
B154 5120	PCB:IOB	79 - *
B154 5130	PCB:SIO	15 - 15
B154 5160	PCB:Type-BZ_UC2	95 - *
B154 5160	PCB:Type-BZ_UC2	45 - 15
B154 5210	PCB:BICU	45 - 22
B154 5210	PCB:BICU	71 - *
B154 5260	PCB:Toner End Sensor:Front:Radiate	35 - 19
B154 5270	PCB:Toner End Sensor:Rear:Photo	35 - 4
B154 5281	PCB:ID:Ass'y	35 - 16
B154 5330	Harness:Scanner:DC:Ass'y	15 - 16
B154 5332	Harness:AKS	15 - 21
B154 5335	Harness:Scanner:Invertor	15 - 22
B154 5336	Interface Cable:BICU:HF	15 - 10
B154 5337	Harness:Scanner:Motor	15 - 23
B154 5342	Harness - LD Control Board-sync	19 - 9
B154 5402	Harness:IOB:Main - 120V	47 - 25
B154 5403	Harness:IOB:Main - 230V	47 - 25
B154 5405	Harness:Sensor:Front	45 - 30
B154 5406	Harness:BICU-IOB	47 - 26
B154 5407	Harness:PPI:Discharge	53 - 1
B154 5408	Harness:IOB:Vertical Transport:24VS	47 - 27
B154 5409	Harness:PPI:Paper Feed	53 - 25
B154 5410	Harness:PPI:Registration Sensor	31 - 15
B154 5411	Harness:IOB:Intermediate Transfer	47 - 28
B154 5414	Harness:Power Supply Unit:Output	49 - 18
B154 5415	Harness:IOB:Door Switch:24VS	51 - 13
B154 5418	Harness:IOB:Development:Fan	47 - 29

CÓPIA NÃO CONTROLADA

CÓPIA NÃO CONTROLADA

Part No.	Description	Page and Index No.
B154 5420	Harness:Door Switch:Unit	51 - 14
B154 5421	Harness:BICU:Imaging Unit	19 - 10
B154 5425	Harness:FFC:LD	45 - 34
B154 5427	Harness:AC:Fusing:Machine Or Copier	49 - 16
B154 5428	Harness:DC:Fusing:Machine or Copier	49 - 19
B154 5428	Harness:DC:Fusing:Machine Or Copier	45 - 31
B154 5430	Harness:Manual Feed:Machine or Copier	47 - 30
B154 5433	Harness:IOB:Gate	47 - 10
B154 5449	Harness:BICU:SCN	45 - 32
B154 5450	Harness:PPI:High Voltage Line:Discharge	53 - 27
B154 5451	Harness:PPI:High Voltage Line:T2	53 - 28
B154 5453	Harness:PPI:High Voltage Line:B2	35 - 17
B154 5456	Wire:Bias:Separation	29 - 22
B154 5457	Ground Wire:Arm:Transfer	29 - 26
B154 5463	Harness:Development:Sponge:Roller	35 - 11
B154 5464	Harness:Main Switch	51 - 18
B154 5466	Harness:Leak Breaker	49 - 36
B154 5467	Harness:Dehumidifier	49 - 35
B154 5471	Harness:Paper Feed:No.2:Sensor	25 - 21
B154 5475	Power Supply Cord - 120V	49 - 8
B154 5476	Power Supply Cord - 230V	49 - 8
B154 5477	Harness:BICU:ID	45 - 33
B154 5482	Harness:IOB:Connecting:Mark	53 - 12
B154 5739	Connector:FFC:PB:FH12-50S-0.5SV	71 - 5
B154 5825	Cover:Application:Sub-Ass'y	45 - 19
B154 5845	Fan:Sirocco:DC24V:Ass'y	47 - 15
B154 5846	Duct:Development:Exhaust:Front:Ass'y	47 - 17
B154 5847	Duct:Development:Exhaust:Rear:Ass'y	47 - 18
B154 5849	Fan:Sirocco:DC24V:Ass'y	49 - 5
B154 5851	Bracket:Control Unit	45 - 21
B154 5852	Bracket:Control Unit:Upper	45 - 20
B154 5853	Bracket:Control Unit:Lower	45 - 23
B154 5854	Bracket:Control Unit:Left	45 - 26
B154 5855	Cover:Control Unit	45 - 12
B154 5859	Panel:SD-Card	45 - 17

Part No.	Description	Page and Index No.
B154 5861	Guard:Fan	45 - 25
B154 5862	Bracket:Base:I/O	47 - 14
B154 5863	Bracket:Temperature & Humidity Sensor	49 - 3
B154 5864	Bracket:CSS	47 - 9
B154 5866	Guide Plate:Harness:Development	55 - 10
B154 5867	Guide Plate:Harness	55 - 9
B154 5869	Panel:Interface:Secc (RAI)	45 - 18
B154 5870	Stay:Guide Plate:Upper:Machine or Copier	59 - 1
B154 5871	Stay:Guide Plate:Upper	47 - 3
B154 5873	Stay:Guide Plate:Middle	47 - 12
B154 5875	Stay:Contact Point:Upper	49 - 25
B154 5876	Stay:Contact Point:Lower	49 - 24
B154 5879	Plate:Cable	49 - 15
B154 5880	Guide:Harness:CI	59 - 27
B154 5892	Stay:Duct:Exhaust:Small	49 - 12
B154 5893	Stay:Duct:Exhaust	49 - 28
B154 5898	Bracket:Duct:Development:Exhaust	47 - 16
B154 5899	Nut:Damping Insulation Rubber:M4	47 - 22
B154 5899	Nut:Damping Insulation Rubber:M4	49 - 33
B154 6150	Rail:PCU:Left Lower:Ass'y	31 - 4
B154 6152	Rail:PCU:Right Lower:Ass'y	31 - 6
B154 6158	Cover:Power Supply	31 - 5
B154 6160	Bracket:Positioning Sensor	53 - 10
B154 6200	Transfer Roller	29 - 16
B154 6235	Sensor Seal - 22x39.5	29 - 11
B154 6237	Arm:Ass'y	29 - 23
B154 6300	Belt Cleaning Assembly	33 - 40
B154 6394	Rear Bracket - ITB Cleaning Unit	33 - 21
B154 6412	Tension Spring:Cleaning Blade	33 - 19
B154 6420	Bracket:Sensor:Intermediate Transfer Belt	61 - 26
B154 8521	Holder:Operating Instructions	9 - 12
B157 1205	Cover:Front:Right Upper: Ass'y (EU)	11 - 1
B157 5561	Sd-card:T-C1:P/S:EXP:Ass'y	45 - 29
B180 1455	Bracket:Operation Sub-unit:LCD	13 - 17
B180 1456	Cover:LCDC	13 - 16

CÓPIA NÃO CONTROLADA

CÓPIA NÃO CONTROLADA

Part No.	Description	Page and Index No.
B180 1701	Inner Cover	15 - 13
B180 1704	Bracket:Tension	17 - 4
B180 1706	Pulley:Drive Wire:Front:Sub-ass'y	17 - 1
B180 1709	Pulley:Drive Wire:Rear:Sub-ass'y	17 - 18
B180 1716	Carriage:No.1:Ass'y	17 - 13
B180 1723	Carriage:No.2:Ass'y	17 - 10
B180 1734	Slide Rail:No.2	17 - 25
B180 1772	Shielding Plate	17 - 15
B180 1801	Grip	15 - 24
B180 1803	Guide:High Voltage Supply Cord:Base	15 - 19
B180 1990	PCB:Operation Sub-unit:Left	13 - 14
B180 1991	PCB:Operation Sub-unit:Right	13 - 2
B180 5255	PCB LCDC	13 - 15
B180 5259	LCD:HVGA:SH:BL	13 - 18
B180 5660	ASIC:SHAKER4	95 - 1
B180 5891	ASIC:TRUMPET3	95 - 2
B213 5222	Touch Panel:HVGA	13 - 19
B214 2300	Photo Conductor Unit	33 - *
B214 2301	O/O	33 - *
B386 7106	Scale:Machine or Copier:Ass'y (NA)	11 - 17
B514 5980	HDD:Hitachi:40GB:Pathfinder	45 - 4
B585 5030	PCB:DDR-DIMM:256MB:Ass'y	45 - 16
B645 5010	SD-Card:Ass'y	101 - 3
B645 6700	SD-Card:Adapter:BN-SDAA2	101 - 4
B645 6800	SD-Card:USB:Writer:BN-SDCE2	101 - 9
B753 5010	HDD:Ass'y	45 - 27
B753 5880	Bracket:HDD:Upper	45 - 3
B753 5881	Bracket:HDD:Lower	45 - 5
B753 5882	Cover:HDD:Large	45 - 6
B753 5883	Cover:HDD:Small	45 - 9
B753 5952	Harness:HDD:Power Source:Ass'y	45 - 7
B753 5955	Harness:IDE:HDD:Ass'y	45 - 8
C105 2352	Stepped Screw - M6x1.7	9 - 16
C401 9503	20X Magnification Scope	101 - 7
G021 9350	Loopback Connector - Parallel	101 - 1

Part No.	Description	Page and Index No.
G024 1007	Rubber Foot - 23mm	61 - 1
G024 1473	Bushing	35 - 31
G024 6991	Display Decal - Cyan	35 - 22
G024 6991	Display Decal - Cyan	99 - 12
G024 6992	Display Decal - Magenta	35 - 21
G024 6992	Display Decal - Magenta	99 - 13
G024 6993	Display Decal - Yellow	99 - 14
G024 6993	Display Decal - Yellow	35 - 23
G024 6994	Display Decal - Black	99 - 15
G024 6994	Display Decal - Black	35 - 24
G047 4785	Idle Roller	43 - 16
G060 2801	Holder - Paper Tray	51 - 28
G060 4351	Thermofuse - 131 ° C	37 - 4
G070 1074	Cover Hinge	51 - 26
G070 1075	Left Cover Hinge	51 - 22
G070 1077	Sound Proofing - Cover Filter	9 - 28
G070 1083	Duct Shield	49 - 31
G070 1092	Lower Shield - PCU Rail	61 - 4
G070 1093	Front Lower Middle Shield	35 - 25
G070 1094	Lower Shield - Front Left	61 - 2
G070 1104	PCU Rail Seal - 3x30x5	61 - 8
G070 1105	PCU Rail Seal - 9x19x5	61 - 7
G070 1196	Right Link - Transport Cover	27 - 5
G070 1197	Gap Gear Guide	31 - 10
G070 1253	Magnet Catch - Front Cover	9 - 6
G070 1261	Duplex Cap	9 - 41
G070 1262	Duplex Small Cap	9 - 39
G070 1281	Right Cover Guide - By-pass Feed	29 - 8
G070 1284	Light Lower Cover	27 - 11
G070 1290	Development Unit Cover (NA/Asia)	9 - 17
G070 1353	Rear Right Cover Hook	27 - 12
G070 1354	Front Support Plate - Right Cover	27 - 6
G070 1356	Rear Support Plate - Right Cover	27 - 3
G070 1357	Right Cover	27 - 2
G070 1361	Un Lock Hook	27 - 9

CÓPIA NÃO CONTROLADA

CÓPIA NÃO CONTROLADA

Part No.	Description	Page and Index No.
G070 1370	Left Inner Cover	9 - 13
G070 1375	Development Inner Cover	9 - 10
G070 1902	Positioning Pin	19 - 17
G070 1903	Shield Glass	19 - 18
G070 1925	Sync Detector Holder	19 - 6
G070 1941	Cover	19 - 2
G070 1942	Front Cover Shield	19 - 4
G070 1952	Shield Glass Cover	19 - 15
G070 1953	Cleaner Shaft	19 - 16
G070 1954	Cleaner Holder	19 - 14
G070 1955	Cleaner	19 - 13
G070 1956	Cleaner Grip	19 - 19
G070 1971	LD Unit Cover	19 - 1
G070 1972	Cover Bracket - LD Unit	19 - 7
G070 2096	Feeler	53 - 13
G070 2107	Waste Toner Bottle Bracket	53 - 16
G070 2110	Corona Wire:Charge Corona	33 - 10
G070 2116	Protection Sheet	33 - 45
G070 2118	Connector Holder	53 - 2
G070 2126	Terminal Holder	53 - 3
G070 2135	Charge Ground Plate	61 - 21
G070 2136	Grid Shading Plate	33 - 27
G070 2138	Charge Spring	53 - 33
G070 2142	Seal - Charge Corona	33 - 14
G070 2143	Connector Guide	53 - 32
G070 2152	Casing:Charge Corona:Ass'y	33 - 44
G070 2156	Charge Corona Grid	33 - 13
G070 2159	Front End Block Cover	33 - 28
G070 2160	Rear End Block Cover	33 - 29
G070 2161	Rear Bracket - Grid Plate	33 - 30
G070 2162	Spring Plate - Grid tension	33 - 31
G070 2163	Spring Plate - Screw Shaft	33 - 32
G070 2164	Spacer - Endblock	33 - 42
G070 2165	Cleaner Screw Shaft	33 - 5
G070 2166	Cleaner Slider - Charge Corona	33 - 33

Part No.	Description	Page and Index No.
G070 2167	Charge Corona Cleaner Holder	33 - 15
G070 2168	Charge Corona Cleaner	33 - 34
G070 2173	DC Motor Cover - Charge Corona	33 - 18
G070 2176	Wire Cleaning Motor - DC0.46W	33 - 7
G070 2318	PCU Drive Joint	33 - 6
G070 2335	Front Lower Guide	51 - 23
G070 2336	PCU Grounding Plate	53 - 7
G070 2358	Flanged Hexagonal Head Bolt -M4x14	33 - 4
G070 2371	PCU Upper Rail	61 - 9
G070 2372	PCU Lower Rail	61 - 5
G070 2573	Registration Guide	31 - 16
G070 2577	Registration Sensor Bracket	31 - 13
G070 2578	Ground Plate:Registration Roller:Drive	31 - 17
G070 2583	Right Guide Plate	29 - 13
G070 2585	Registration Driven Cleaner	29 - 7
G070 2586	Shield:Guide Plate	29 - 14
G070 2590	Holder:Resistor:Ass'y	29 - 36
G070 2591	Holder:Resistor	29 - 34
G070 2592	Ground Plate:Registration	29 - 33
G070 2593	Electrode Plate:Registration	29 - 35
G070 2606	Guide Plate	27 - 1
G070 2622	Right Rail Shoe	61 - 18
G070 2637	Feeler Holder - Vertical Transport	53 - 31
G070 2638	Vertical Transport Feeler	53 - 24
G070 2642	Paper End Sensor Bracket	53 - 22
G070 2643	Sensor Front Bracket	53 - 30
G070 2644	Sensor Rear Bracket	25 - 20
G070 2644	Sensor Rear Bracket	53 - 23
G070 2645	Release Lever	53 - 20
G070 2645	Release Lever	25 - 16
G070 2646	Paper End Sensor Feeler	25 - 14
G070 2646	Paper End Sensor Feeler	53 - 18
G070 2647	Feeler - Paper Volume Sensor	25 - 19
G070 2647	Feeler - Paper Volume Sensor	53 - 21
G070 2648	Seal - Plate	25 - 22

CÓPIA NÃO CONTROLADA

CÓPIA NÃO CONTROLADA

Part No.	Description	Page and Index No.
G070 2648	Seal - Plate	53 - 26
G070 2710	Paper Size Sensor Link	23 - 27
G070 2710	Paper Size Sensor Link	21 - 27
G070 2711	Base Stopper	23 - 13
G070 2711	Base Stopper	21 - 13
G070 2713	Spring Plate Stopper	21 - 5
G070 2713	Spring Plate stopper	23 - 5
G070 2714	Front Lever - Stopper	21 - 4
G070 2714	Front Lever - Stopper	23 - 4
G070 2718	Rear Lever - Stopper	23 - 16
G070 2718	Rear Lever - Stopper	21 - 16
G070 2719	Ground Plate- Bottom Plate	23 - 12
G070 2719	Ground Plate- Bottom Plate	21 - 12
G070 2725	Grounding Plate	23 - 21
G070 2725	Grounding Plate	21 - 21
G070 2728	Joint - Feed Roller Shaft	23 - 18
G070 2728	Joint - Feed Roller Shaft	21 - 18
G070 2730	Decal - Paper Set Direction	99 - 16
G070 2730	Decal - Paper Set Direction	21 - 2
G070 2730	Decal - Paper Set Direction	23 - 2
G070 2735	Guide Plate - Side Fence	23 - 30
G070 2735	Guide Plate - Side Fence	21 - 29
G070 3231	Front Side Plate	35 - 14
G070 3233	Side Plate - Front Left	35 - 20
G070 3236	Development Vias Terminal	35 - 15
G070 3237	Damper Cover	35 - 5
G070 3239	Compression Spring	35 - 8
G070 3240	Spring Cap	35 - 9
G070 3248	Damper - Development Roller	35 - 6
G070 3291	Doctor Blade Terminal	35 - 2
G070 3292	Doctor Blade Terminal	35 - 3
G070 3293	Terminal Cover - Doctor Blade	35 - 1
G070 3295	Bias Terminal Cover	35 - 13
G070 4050	Lower Pressure Roller Stay	39 - 24
G070 4051	Thermistor Holder	39 - 1

Part No.	Description	Page and Index No.
G070 4052	Fusing Entrance Guide Plate	39 - 23
G070 4062	Front Oil Pan - Pressure Unit	39 - 31
G070 4063	Rear Oil Pan - Pressure Unit	39 - 28
G070 4064	Spring Plate - Pressure Unit	39 - 30
G070 4065	Front Oil Absorber	39 - 32
G070 4066	Rear Oil Absorber	39 - 29
G070 4069	Oil Tank - Pressure Sub-unit	39 - 27
G070 4072	Front Oil Tank Absorber	39 - 37
G070 4073	Front Oil Tank Absorber	39 - 26
G070 4074	Oil Tank Absorber - Long	39 - 33
G070 4087	Rubber Shield - 4x8x3	39 - 11
G070 4106	Guide Plate - Fusing Exit	37 - 11
G070 4114	Front Stopper - Oil Supply Unit	39 - 15
G070 4116	Belt Tension Lever	39 - 14
G070 4118	Sensor Holder	39 - 16
G070 4120	Heat Insulation - Sensor Holder	39 - 36
G070 4130	Fusing Lower Cover	37 - 19
G070 4132	Front Electrode Plate	37 - 14
G070 4135	Rear electrode Plate	37 - 15
G070 4136	Spring Plate - Front Fusing Cover	37 - 22
G070 4137	Spring Plate - Rear Fusing Cover	37 - 23
G070 4138	Absorber - Lower Fusing Cover	37 - 21
G070 4141	Connecting Electrode Plate	37 - 16
G070 4143	Rear Pressure Terminal Electrode	37 - 18
G070 4147	Fusing Knob	39 - 6
G070 4148	Shaft Support Plate	37 - 9
G070 4152	Rear Stopper - Oil Supply Unit	39 - 18
G070 4153	Stopper Spring	39 - 45
G070 4157	Absorber - Lower Center	37 - 25
G070 4158	Absorber - Lower Rear	37 - 27
G070 4159	Absorber - Lower Front	37 - 26
G070 4204	Bracket - Fusing Sponge Roller	41 - 23
G070 4212	Holder - Oil Tank	41 - 6
G070 4216	Bracket - Fusing Cleaning Roller	41 - 22
G070 4217	Sponge Roller	41 - 9

CÓPIA NÃO CONTROLADA

CÓPIA NÃO CONTROLADA

Part No.	Description	Page and Index No.
G070 4219	Bushing - Sponge Roller	41 - 11
G070 4220	Bushing - 4x6x5.5	41 - 17
G070 4221	Fusing Belt Upper Stay	37 - 12
G070 4225	Cleaning Roller Cover	41 - 20
G070 4231	Roller - Oil Supply Roller	41 - 15
G070 4302	Fusing Unit Rail	61 - 16
G070 4310	Connector Bracket	49 - 17
G070 4313	Roller Holder - Oil Supply	49 - 14
G070 4314	Roller Terminal - Oil Supply	49 - 9
G070 4316	Terminal Cover - Oil Supply Roller	49 - 13
G070 4320	Oil Supply Roller Holder	49 - 11
G070 4455	Exit Guide Plate	43 - 9
G070 4458	Edit Grounding Plate	43 - 10
G070 4459	Roller - 9mm	43 - 17
G070 4461	Spring Plate - Tension Roller	43 - 15
G070 4462	Clip:Discharge Brush	43 - 33
G070 4466	Spring Plate - Outer Tension Roller	43 - 13
G070 4472	Overflow Shaft	43 - 2
G070 4476	Fusing Exit Feeler	43 - 22
G070 4477	Bracket - Fusing Exit Feeler	43 - 20
G070 4478	Spring - Fusing Exit Feeler	43 - 21
G070 4481	Guide Plate - Fusing Exit	43 - 19
G070 4486	Sensor Bracket - Fusing Exit	43 - 24
G070 4492	Grounding Plate - Fusing Exit	43 - 26
G070 4605	Color Shaft - Development	35 - 10
G070 4721	Ball Bearing	55 - 12
G070 4728	Pin - Intermediate Transfer	55 - 3
G070 4766	Outer Joint	55 - 16
G070 4767	Middle Joint	55 - 15
G070 4768	Inner Joint	55 - 14
G070 4816	Bracket:Swivel:Ass'y	57 - 8
G070 4818	Cleaning On/Off Cam	57 - 25
G070 4823	Spring Spacer	57 - 22
G070 4829	On/Off Cam	57 - 33
G070 4830	Gear - 49Z	57 - 19

Part No.	Description	Page and Index No.
G070 4834	Cam Roller	57 - 21
G070 4850	Gear - 33Z/27Z	57 - 7
G070 4851	Gear - 25Z/36Z	57 - 9
G070 5285	Harness - ID Sensor Board	35 - 12
G070 5561	Lower Case - Safety Switch	51 - 9
G070 5562	Upper Case - Safety Switch	51 - 15
G070 5563	Link Middle Lever	51 - 12
G070 5564	Link Outer Lever	51 - 4
G070 5565	Right Tension Spring	51 - 11
G070 5566	Right Tension Spring	51 - 6
G070 5568	Right Link - Safety Switch	51 - 10
G070 5570	Link Middle Lever - Left	51 - 5
G070 5573	Rear Link Lever	51 - 1
G070 5574	Link Lever - Rear Right	51 - 2
G070 5575	Compression Spring	51 - 3
G070 5576	Cushion - Safety Switch	51 - 33
G070 6145	Slide Rail	31 - 1
G070 6157	Slide Rail Stopper	31 - 3
G070 6165	Terminal	53 - 5
G070 6166	Terminal Holder	53 - 6
G070 6175	Grounding Plate - Slide Rail	31 - 2
G070 6201	Roller - Transfer Roller	29 - 17
G070 6202	Transfer Roller Bushing	29 - 19
G070 6204	Transfer Unit Frame	29 - 24
G070 6205	Frame Stay	29 - 30
G070 6206	Transfer Roller Holder	29 - 20
G070 6210	Rear Grounding Plate	29 - 27
G070 6218	Transfer Roller Terminal	29 - 28
G070 6220	Separation Terminal	29 - 32
G070 6221	Transfer Unit Stopper	29 - 2
G070 6223	Transfer/Separation Receptacle	59 - 14
G070 6227	Grounding Plate Bracket	61 - 20
G070 6236	Collar - 8x11x10	29 - 18
G070 6245	Entrance Guide	29 - 15
G070 6405	On/Off Rail	61 - 11

CÓPIA NÃO CONTROLADA

CÓPIA NÃO CONTROLADA

Part No.	Description	Page and Index No.
G070 6406	Grounding Plate - Belt Cleaning	53 - 11
G070 6406	Grounding Plate - Belt Cleaning	61 - 12
G070 6407	Bracket - Waste Toner Sensor	53 - 17
G070 9531	Decal - Power Source	9 - 4
G108 5020	PCB:DDR-DIMM:512MB	45 - 16
G395 5003	PCB:NOBITA-S:Ass'y	45 - 14
G395 5500	Cover:NOVITA2	45 - 13
G404 2810	Spring Plate - 2nd Mirror	17 - 30
G570 1132	Scanner Drive Shaft	17 - 19
G570 1133	Timing Pulley 73	17 - 17
G570 1160	Spacer Bushing	17 - 27
G570 1941	Keytop - Start/Stop	13 - 29
G570 1942	Keytop - Clear/Stop	13 - 27
G570 1943	Keytop - Sample Copy	13 - 26
G570 1944	Keytop - 10key (EU)	13 - 28
G570 1945	Keytop - Interrupt	13 - 24
G570 1946	Keytop - Energy Saver	13 - 23
G570 1947	Keytop - Check Modes	13 - 20
G570 1948	Keytop - Color Adjust	13 - 9
G570 1950	Keytop - Program	13 - 21
G570 1951	Keytop - Counter	13 - 10
G570 1953	Keytop - Color Select	13 - 12
G570 1963	Keytop Switch - Large	13 - 7
G570 1964	Knob - Contrast	13 - 13
G570 1966	Sheet - Color C	13 - 5
G570 1967	Keytop - Power Source	13 - 25
G570 1971	Keytop Cover - Right	13 - 4
G570 1972	Lens - Data Input	13 - 8
G570 2051	Case - Operation Panel (EU)	13 - 32
G570 2061	Keytop - 10key (NA)	13 - 28
G570 2062	Keytop Clear Modes - EXP	13 - 22
G570 2063	Keytop Copy (NA/Asia)	13 - 31
G570 2064	Keytop - Switch (NA/Asia)	13 - 30
G570 2066	Keytop Printer - NA (Letter)	13 - 34
G570 2067	Keytop Scanner - NA (Letter)	13 - 33

Part No.	Description	Page and Index No.
G570 2068	Sheet Power Source (NA/Asia)	13 - 3
G570 2073	Keytop Copy (EU)	13 - 31
G570 2074	Keytop - Switch (EU)	13 - 30
G570 2076	Keytop Printer - EU (Symbol)	13 - 34
G570 2077	Keytop Scanner - EU (Symbol)	13 - 33
G570 2078	Sheet Power Source (EU)	13 - 3
G570 2080	Sheet LED - English	13 - 6
G570 2826	2nd Mirror	17 - 29
G570 2832	Guide - High Voltage Supply Cord	17 - 35
G570 2833	Pulley Holder	17 - 28
G570 2834	Pulley - High Voltage Supply Cord	17 - 9
G570 5372	IC - MB87J4253	71 - 6

CÓPIA NÃO CONTROLADA

CÓPIA NÃO CONTROLADA

Part No.	Description	Page and Index No.
AA00 0217	Decal - LD 655	19 - 3
AA00 0217	Decal - LD 655	99 - 2
AA00 0239	Decal:Color:µFP	99 - 22
AA00 0239	Decal:Color:Mfp	9 - 51
AA00 0301	Decal Warning (High Temperature)	43 - 32
AA00 0301	Decal Warning (high Temperature)	99 - 3
AA00 0660	Decal - High Temperature Warning	37 - 5
AA00 0660	Decal - High Temperature Warning	99 - 5
AA00 0662	Decal - Power Source	99 - 6
AA00 0663	Decal:Power Source:Inkjet:English	11 - 15
AA00 3020	Decal - Vertical Transport Grip	99 - 7
AA00 3021	Decal - Exit Grip	99 - 8
AA00 3022	Decal - Paper Tray	99 - 9
AA00 3022	Decal - Paper Tray	21 - 28
AA00 3022	Decal - Paper Tray	23 - 28
AA00 3023	Decal:Grip:Exit	11 - 7
AA00 3024	Decal:Grip:Vertical Transport	27 - 10
AA00 3025	Decal:Misfeed Removal:Exit	9 - 48
AA00 3039	Decal:Caption:Interface:T-C	45 - 28
AA01 0113	Ozone Filter	9 - 33
AA01 2123	Filter:Exhaust	9 - 24
AA01 2124	Filter:Duct:Exhaust	9 - 32
AA01 2125	Filter:Exhaust:Scanner	9 - 22
AA04 3567	Timing Belt - 120TS2M	59 - 15
AA04 3568	Timing Belt - 480TS3M	59 - 25
AA04 3589	Timing Belt:S2M:T122	57 - 28
AA04 3941	Timing Belt - S3M103T	59 - 26
AA04 3966	Timing Belt:S1.5M236	17 - 16
AA05 0114	Drive Wire:Carriage:Mm1.0	17 - 3
AA06 0866	Lever Spring	25 - 15
AA06 0866	Lever Spring	23 - 14
AA06 0866	Lever Spring	21 - 14
AA06 0866	Lever Spring	53 - 19
AA06 0868	Tension Spring	57 - 30
AA06 0869	Tension Spring	59 - 18

Part No.	Description	Page and Index No.
AA06 0875	Belt Tension Spring	39 - 13
AA06 0876	Tension Spring	39 - 25
AA06 0880	Spring - Fusing Cleaning Roller	41 - 12
AA06 0884	Tension Spring - Arm	57 - 27
AA06 0915	Pressure Spring	41 - 3
AA06 0979	Tension Spring:Tension:14720mn	17 - 21
AA06 0980	Tension Spring:Tension:11300mn	17 - 5
AA06 3402	Spring	27 - 8
AA06 3563	Spring	29 - 3
AA06 3628	Spring - 5.9n/16.6n	21 - 10
AA06 3628	Spring - 5.9n/16.6n	23 - 10
AA06 3629	Spring - 2.8n	23 - 24
AA06 3629	Spring - 2.8n	21 - 24
AA06 3630	Spring	23 - 19
AA06 3630	Spring	21 - 19
AA06 3631	Spring - 20n	29 - 9
AA06 3632	Compression Spring:Joint	55 - 13
AA06 3657	Pressure Spring	57 - 23
AA06 3865	Spring - Oiling Roller	39 - 9
AA06 3865	Spring - Oiling Roller	39 - 7
AA06 3876	Transfer Unit Spring -10n	29 - 6
AA06 3882	Spring	41 - 10
AA06 3895	Spring	49 - 10
AA06 3896	Transfer Unit Spring - 16n	29 - 25
AA06 6633	Spring	53 - 14
AA06 9263	Stripper Pawl Spring	37 - 13
AA08 0254	Bushing - M4	25 - 10
AA08 0254	Bushing - M4	29 - 4
AA08 2101	Bushing - 6x10x6	57 - 4
AA08 2101	Bushing - 6x10x6	25 - 2
AA08 2101	Bushing - 6x10x6	43 - 4
AA08 2101	Bushing - 6x10x6	31 - 7
AA08 2104	Bushing - 8x12x7	59 - 7
AA08 2104	Bushing - 8x12x7	17 - 2
AA08 2146	Bushing:6x10x4	57 - 34

CÓPIA NÃO CONTROLADA

CÓPIA NÃO CONTROLADA

Part No.	Description	Page and Index No.
AA12 0103	Discharge Brush	43 - 3
AA12 0113	Discharge Brush	43 - 25
AA14 3493	Screw	27 - 4
AA14 3499	Stepped Screw	45 - 1
AA14 9883	Shaft:Drive:Intermediate Transfer	55 - 17
AA14 9942	Shaft:Drive:Second	57 - 12
AA14 9944	Shaft:On-Off:Cleaning	57 - 18
AA14 9950	Shaft:Drive:Cleaning	57 - 15
AA14 9956	Bracket Pin - Front	41 - 24
AA14 9957	Bracket Pin - Rear	41 - 21
AA16 1125	Rubber Cushion	45 - 2
AA16 1164	Cushion:Stepper Motor	59 - 20
AB01 0087	Gear - 20Z	33 - 8
AB01 0353	Idler Gear - 67Z	55 - 7
AB01 1225	Gear - 28Z	31 - 9
AB01 1229	Gear - 19Z	43 - 11
AB01 1230	Gear - 14Z	43 - 27
AB01 1425	Gear - 27Z	43 - 29
AB01 1435	Gear - 47Z	39 - 21
AB01 1436	Gear - 36Z	39 - 12
AB01 1472	Gear - 20Z	33 - 35
AB01 1473	Gear - 13Z	33 - 36
AB01 1474	Gear - 24Z	33 - 37
AB01 1475	Gear - 21Z	33 - 25
AB01 1476	Idler Gear - 35Z	33 - 38
AB01 1479	Gear - 18Z	57 - 24
AB01 4209	Gear - 30Z	57 - 10
AB01 4210	Gear - 33Z	57 - 11
AB01 4215	Idler Gear - 20Z	33 - 22
AB01 4224	Idler Gear - 19Z	33 - 23
AB01 7556	Gear - 24Z/53Z	57 - 16
AB01 7557	Gear - 65z/20z	57 - 17
AB01 7560	Gear - 40Z/42Z	59 - 4
AB01 7561	Gear - 33Z/30T	59 - 16
AB01 7563	Gear - 58Z/37Z	59 - 23

Part No.	Description	Page and Index No.
AB01 7565	Gear - 93Z/42Z	55 - 8
AB01 7570	Idler Gear - 28Z/35Z	39 - 22
AB01 7595	Double Gear - 15Z/23Z	33 - 20
AB01 7600	Pulley - 33T/32Z	59 - 24
AB01 7601	Gear - 44Z/28Z	59 - 13
AB01 7695	Gear:Drive	33 - 24
AB01 7717	Gear-98Z/33T	57 - 32
AB01 7718	Timing Pulley-24Z/31T	57 - 29
AB04 0020	Spring Clutch - 27Z	57 - 6
AC02 4005	Cylindrical Lens	19 - 5
AC03 0142	1st Mirror	17 - 32
AE02 0132	Pressure Roller - Assembly	39 - 20
AE03 0062	Ball Bearing:20x32x7	39 - 19
AE03 1054	Bushing -4x8x8.5	39 - 8
AE03 1055	Bushing -4x9x13	39 - 10
AE04 0047	Oil Apply Roller - Oil Supply	39 - 35
AE04 0048	Oil Supply Roller - Oil Supply	39 - 34
AE04 4063	Pickoff Pawl:PFA	37 - 6
AF01 0094	Paper Tray:2nd	23 - 29
AF01 1047	Tray Bottom Plate	23 - 8
AF01 1047	Tray Bottom Plate	21 - 8
AF01 7025	End Fence	21 - 7
AF01 7025	End Fence	23 - 7
AF02 0545	Transport Exit Roller	43 - 5
AF02 0624	Fusing Exit Roller	43 - 18
AF02 0644	Registration Roller:Drive	31 - 12
AF02 0645	Roller:Vertical Transport:Drive	25 - 5
AF02 0645	Roller:Vertical Transport:Drive	31 - 8
AF02 1082	Registration Roller:Driven:MM14	29 - 12
AF02 2112	Driven Roller	43 - 30
AF03 1084	Paper Feed Roller Mm36	21 - 25
AF03 1084	Paper Feed Roller Mm36	23 - 25
AF04 0566	Tension Roller	43 - 14
AF04 0567	Tension Roller	43 - 12
AG07 0514	Magnet Catch:Ass'y	9 - 14

CÓPIA NÃO CONTROLADA

CÓPIA NÃO CONTROLADA

Part No.	Description	Page and Index No.
AG07 0514	Magnet Catch:Ass'y	11 - 20
AG07 0514	Magnet Catch:Ass'y	25 - 9
AG07 0514	Magnet Catch:Ass'y	51 - 8
AW01 0061	Paper Feed Sensor:Fusing Exit	61 - 28
AW01 0097	Density Sensor	61 - 10
AW01 0108	Positioning Sensor:Intermediate Transfer Belt	53 - 9
AW01 0114	Original Sensor:H=2-66	15 - 9
AW01 0115	Original Sensor:H=81.5	15 - 3
AW01 0116	Original Sensor:H=1-66	15 - 17
AW01 0117	Paper Feed Sensor	31 - 14
AW02 0145	Photointerruptor:Flat	15 - 12
AW02 0145	Photointerruptor:Flat	53 - 8
AW02 0145	Photointerruptor:Flat	25 - 17
AW02 0145	Photointerruptor:Flat	61 - 27
AW02 0145	Photointerruptor:Flat	43 - 8
AW02 0160	Paper Feed Sensor	43 - 31
AW02 0164	Photointerruptor:Oil End Sensor	39 - 5
AW02 0171	Photointerruptor:Vertical Transport	25 - 3
AW10 0061	Pressure Thermistor	39 - 4
AW14 0012	Temperature & Humidity Sensor	49 - 4
AW50 0023	Push Switch	43 - 7
AW50 0023	Push Switch	53 - 15
AW50 0023	Push Switch	51 - 7
AW50 0024	Push Switch	51 - 27
AX06 0290	Brushless Motor:26W:10Z	57 - 1
AX06 0291	Brushless Motor:26W:9Z	55 - 5
AX06 0319	Brushless Motor:8.8W:9Z	55 - 11
AX20 0283	Magnetic Clutch:0.4n M:Z46	59 - 6
AX20 0283	Magnetic Clutch:0.4n M:Z46	59 - 11
AX20 0284	Magnetic Clutch:0.4n M:Z32:Mm6	59 - 5
AX20 0295	Magnetic Clutch:32Z:0.5N·M	57 - 14
AX21 0094	Magnetic Clutch:Development:BK	55 - 4
AX31 0045	Total Counter:7FIG:24V	51 - 31
AX31 0049	Total Counter:7FIG:24V (NA only)	51 - 25
AX43 0148	Heater:120V:350W	39 - 3

Part No.	Description	Page and Index No.
AX43 0149	Heater:230V:350W	39 - 3
AX44 0233	Heater:120V:770W	39 - 2
AX44 0234	Heater:230V:770W	39 - 2
AX50 0085	Xenon Lamp:DIA10.3:Ass'y	17 - 11
AX64 0166	Fan:Axial:Mm80	47 - 2
AX64 0166	Fan:Axial:MM80	45 - 24
AZ24 0100	Power Supply Unit - 120V	49 - 20
AZ24 0101	Power Supply Unit - 230V	49 - 20
AZ30 0055	Power Pack:BCTCLD	53 - 29
AZ50 0066	Stabilizer:Xenon Lamp	15 - 4
BC01 2001	Exposure Glass:Sheet Through:332x14	11 - 16
GA00 3014	Decal - Paper Tray	99 - 17
GA00 3014	Decal - Paper Tray	9 - 11
GA00 3035	Energy Decal	99 - 18

CÓPIA NÃO CONTROLADA

CÓPIA NÃO CONTROLADA

Part No.	Description	Page and Index No.
0313 0100N	Pan Head Screw:M3x10	53 -102
0353 0040B	Screw - M3X4	29 -104
0353 0040B	Screw - M3X4	31 -103
0353 0040B	Screw - M3X4	41 -101
0353 0040B	Screw - M3X4	13 -101
0353 0040N	Screw - M3X4	47 -103
0353 0050H	Screw - M3X5	11 -102
0353 0050H	Screw - M3X5	17 -108
0353 0060N	Philips Pan Head Bind Screw - M3x6	45 -102
0354 0450N	Screw:M4x45	47 -107
0354 0450N	Screw:M4x45	49 -115
0360 3030N	Screw:M3x30	45 -107
0450 3006B	Tapping Screw - M3x6	43 -102
0450 3008B	Tapping Screw - M3x8	25 -107
0450 3008B	Tapping Screw - M3x8	39 -107
0450 3008B	Tapping Screw - M3x8	35 -108
0450 3008B	Tapping Screw - M3x8	9 -103
0450 3008B	Tapping Screw - M3x8	41 -103
0450 3008B	Tapping Screw - M3x8	31 -104
0450 3008B	Tapping Screw - M3x8	27 -102
0450 3008H	Tapping Screw - M3x8	15 -106
0450 3008N	Tapping Screw - M3x8	55 -103
0450 3008N	Tapping Screw - M3x8	29 -101
0450 3010N	Tapping Screw - M3x10	19 -102
0450 3030B	Tapping Screw - M3x30	51 -103
0450 4035N	Tapping Screw:4x35	47 -101
0451 3006B	Tapping Screw - M3x6	27 -101
0451 3006B	Tapping Screw - M3x6	31 -101
0451 3006B	Tapping Screw - M3x6	33 -101
0451 3006B	Tapping Screw - M3x6	39 -106
0451 3006B	Tapping Screw - M3x6	29 -106
0451 3006B	Tapping Screw - M3x6	25 -101
0451 3006B	Tapping Screw - M3x6	57 -101
0451 3006B	Tapping Screw - M3x6	51 -101
0451 3006B	Tapping Screw - M3x6	37 -103

Part No.	Description	Page and Index No.
0451 3006B	Tapping Screw - M3x6	19 -101
0451 3006B	Tapping Screw - M3x6	53 -101
0451 3006B	Tapping Screw - M3x6	49 -101
0451 3006B	Tapping Screw - M3x6	41 -104
0451 3006B	Tapping Screw - M3x6	35 -103
0451 3006B	Tapping Screw - M3x6	61 -101
0451 3006B	Tapping Screw - M3x6	17 -101
0451 3006B	Tapping Screw - M3x6	43 -101
0451 3006N	Tapping Screw - 3x6	59 -101
0451 3006N	Tapping Screw - 3x6	11 -103
0451 3006N	Tapping Screw - 3x6	15 -101
0451 3006N	Tapping Screw - 3x6	45 -103
0451 3006N	Tapping Screw - 3x6	55 -101
0451 3006N	Tapping Screw - 3x6	47 -102
0451 3008B	Tapping Screw - M3x8	49 -103
0451 3008B	Tapping Screw - M3x8	17 -109
0451 3008B	Tapping Screw - M3x8	35 -101
0451 3008H	Tapping Screw - M3x8	37 -104
0451 3008H	Tapping Screw - M3x8	9 -101
0451 3008H	Tapping Screw - M3x8	11 -101
0451 3008H	Tapping Screw - M3x8	49 -108
0451 3008H	Tapping Screw - M3x8	15 -105
0451 3010B	Tapping Screw - M3x10	57 -102
0451 3010H	Tapping Screw - 3x10	51 -102
0451 3010N	Tapping Screw:3x10	55 -104
0451 3012N	Tapping Screw:3x12	55 -102
0451 3014N	Tapping Screw - M3-14	25 -104
0451 4008N	Tapping Screw:4x8	9 -102
0451 4012N	Tapping Screw:4x12	59 -104
0452 3008B	Tapping Screw - M3x8	35 -102
0452 3008B	Tapping Screw - M3x8	31 -102
0452 3008N	Tapping Screw - M3x8	33 -104
0452 3010N	Binding Self-tapping Screw:3x10	19 -103
0452 3010N	Binding Self-tapping Screw:3x10	13 -102
0453 3006B	Tapping Screw - M3x6	15 -102

CÓPIA NÃO CONTROLADA

CÓPIA NÃO CONTROLADA

Part No.	Description	Page and Index No.
0574 0040E	Hexagon Headless Set Screw - M4x4	35 -107
0622 0160E	Spring Pin - 2x16mm	31 -106
0623 0140E	Spring Pin - 3x14mm	21 -102
0623 0140E	Spring Pin - 3x14mm	23 -102
0623 0200E	Spring Pin - 3x20mm	55 -111
0720 0025E	Retaining Ring - M2.5	33 -103
0720 0030E	Retaining Ring - M3	39 -104
0720 0030E	Retaining Ring - M3	41 -102
0720 0040E	Retaining Ring - M4	17 -110
0720 0040E	Retaining Ring - M4	57 -108
0720 0040E	Retaining Ring - M4	37 -101
0720 0040E	Retaining Ring - M4	55 -112
0720 0040E	Retaining Ring - M4	43 -103
0720 0060E	Retaining Ring - M6	29 -103
0725 0100E	Retaining Ring C - M10	39 -102
0740 3008	Ball Bearing - 8x22x7	35 -105
0740 3708	Bushing - 8x12x3.5	29 -102
0740 3808	Ball Bearing - 8x16x5mm	35 -109
0801 0230	Screw:#6-32UNCx4	45 -101
0802 5276	Tapping Screw With Washer - M3x6	15 -103
0802 5276	Tapping Screw With Washer - M3x6	17 -106
0802 5276	Tapping Screw With Washer - M3x6	61 -102
0802 5276	Tapping Screw With Washer - M3x6	43 -105
0802 5279	Tapping Screw With Washer - M3x8	59 -102
0802 5279	Tapping Screw With Washer - M3x8	57 -103
0802 5279	Tapping Screw With Washer - M3x8	39 -103
0804 6123	Hexagonal Bolt:W/Washer:M3x8	17 -103
0805 0088	Retaining Ring - M6	31 -108
0805 0088	Retaining Ring - M6	55 -113
0805 0088	Retaining Ring - M6	35 -106
0805 0088	Retaining Ring - M6	23 -101
0805 0088	Retaining Ring - M6	57 -104
0805 0088	Retaining Ring - M6	17 -102
0805 0088	Retaining Ring - M6	21 -101
0805 0088	Retaining Ring - M6	59 -103

Part No.	Description	Page and Index No.
0805 0089	Retaining Ring - M4	31 -107
0805 0089	Retaining Ring - M4	33 -102
0805 0089	Retaining Ring - M4	57 -107
0805 0089	Retaining Ring - M4	25 -102
0950 3006B	Tapping Screw - M3x6	51 -105
0950 4006B	Screw - M4X6	49 -105
0954 3008B	Philips Screw - M3x8	39 -105
0954 3008B	Philips Screw - M3x8	37 -102
0954 3010B	Philips Screw - M3x10	39 -101
1102 4201	Connector - 2P	79 -101
1102 4202	Connector - 3P	71 -101
1102 4202	Connector - 3P	79 -102
1102 4203	CT Header - 4P	71 -102
1102 4205	CT Header - 6P	71 -103
1102 4206	Connector - 7P	79 -103
1102 4683	Connector - 5566-02A-210	79 -104
1102 5301	Connector - 2P	79 -105
1102 5303	Connector - 4P	95 -101
1102 5307	Connector - 2P	79 -106
1102 6253	Relay Connector - 10P	49 -111
1102 6295	Connector - 2P	79 -107
1102 6296	Connector - 3P	79 -108
1102 6296	Connector - 3P	71 -104
1102 6297	Connector - 4P	79 -109
1102 6297	Connector - 4P	71 -105
1102 6299	Connector - 6P	71 -106
1102 6403	Connector - 30P	71 -107
1102 6600	Connector - 8P	71 -108
1102 7093	Connector - 53375-0610	79 -110
1102 7615	Connector - B8B-XH-A	95 -102
1102 7884	Connector:TX25-80P-12ST-H1E	71 -109
1102 8053	Connector:5566-08A-210	79 -111
1102 8329	Connector - Usb - UBB-4R-D14C	95 -103
1102 8469	Connector - 55447-0510	71 -110
1102 8470	Connector - 55447-0610	79 -112

CÓPIA NÃO CONTROLADA

CÓPIA NÃO CONTROLADA

Part No.	Description	Page and Index No.
1102 8471	Connector - 55447-071	79 -113
1102 8472	Connector - 55447-0810	79 -114
1102 8473	Connector - 55447-0910	79 -115
1102 8474	Connector - 5 P	71 -111
1102 8474	Connector - 5 P	79 -116
1102 8476	Connector - 55447-1210	71 -112
1102 8477	Connector - 13P	79 -117
1102 8478	Connector - 55447-1410	79 -118
1102 8479	Connector - 15P	79 -119
1102 8480	Connector - 55447-1610	71 -113
1102 8480	Connector - 55447-1610	79 -120
1102 8481	Connector - 55447-1760	79 -121
1102 8483	Connector:55447-1980	79 -122
1102 8484	Connector:55447-2080	79 -123
1102 8486	Connector - 55451-2410	71 -114
1102 8492	Connector - 55451-3610	71 -115
1102 8492	Connector - 55451-3610	79 -124
1102 8502	Connector - 54679-1615	49 -109
1102 8534	Connector - QR/P17-14S-B	49 -110
1102 8545	Connector - 1-353297-6	79 -125
1102 9109	Connector - 353297-4	71 -116
1102 9110	Connector - 353297-6	79 -126
1102 9112	Connector - 353297-8	79 -127
1102 9336	Connector:FPS009-2300-0	95 -104
1102 9535	Connector - 200PS-JUK-G-B	95 -105
1102 9606	Connector - 200RS-JUK-GB	71 -117
1102 9686	Connector - RHM-176P-SDK11-U1L1C	95 -106
1102 9697	Connector:2-440091-5	95 -107
1102 9887	Connector:52588-3090	95 -108
1102 9890	Connector:5-1605706-2	95 -109
1102 9928	Connector:29 6406 200 000 856	95 -110
1103 0428	Connector - 20P	79 -128
1105 0189	Cord Holder	29 -105
1105 0460	Clamp	17 -104
1105 0487	Harness Clamp	57 -106

Part No.	Description	Page and Index No.
1105 0487	Harness Clamp	53 -103
1105 0487	Harness Clamp	47 -105
1105 0487	Harness Clamp	55 -108
1105 0487	Harness Clamp	59 -106
1105 0487	Harness Clamp	49 -107
1105 0488	Harness Clamp	55 -106
1105 0488	Harness Clamp	47 -106
1105 0488	Harness Clamp	49 -106
1105 0488	Harness Clamp	45 -104
1105 0489	Harness Clamp - LWS 1316	49 -113
1105 0511	Harness Clamp - LWS-0306ZC	17 -107
1105 0511	Harness Clamp - LWS-0306ZC	15 -104
1105 0511	Harness Clamp - LWS-0306ZC	53 -104
1105 0511	Harness Clamp - LWS-0306ZC	51 -106
1105 0511	Harness Clamp - LWS-0306ZC	25 -103
1105 0511	Harness Clamp - LWS-0306ZC	61 -103
1105 0511	Harness Clamp - LWS-0306ZC	59 -107
1105 0511	Harness Clamp - LWS-0306ZC	43 -104
1105 0511	Harness Clamp - LWS-0306ZC	49 -102
1105 0511	Harness Clamp - LWS-0306ZC	31 -105
1105 0511	Harness Clamp - LWS-0306ZC	55 -107
1105 0516	Clamp	55 -109
1105 0516	Clamp	35 -104
1105 0516	Clamp	17 -105
1105 0516	Clamp	47 -108
1105 0516	Clamp	51 -107
1105 0516	Clamp	57 -109
1105 0516	Clamp	49 -104
1105 0516	Clamp	59 -105
1105 0518	Edge Saddle - LES-1010	45 -105
1105 0518	Edge Saddle - LES-1010	49 -112
1105 0521	Clamp - LES-1017	47 -104
1105 0522	Edge Saddle - LES0510	25 -106
1105 0522	Edge Saddle - LES0510	51 -108
1105 0522	Edge Saddle - LES0510	55 -110

CÓPIA NÃO CONTROLADA

CÓPIA NÃO CONTROLADA

Part No.	Description	Page and Index No.
1105 0522	Edge Saddle - LES0510	45 -106
1105 0542	Harness Clamp - MSBS-1207	31 -109
1106 0241	Bushing - 6.7mm	53 -105
1106 0383	Supporter - P.C.B.	55 -105
1106 0383	Supporter - P.C.B.	57 -105
1107 1083	Fuse:Sst 4	79 -129
1107 1083	Fuse:Sst 4	71 -118
1107 1099	Fuse Sst 5	95 -111
1107 1099	Fuse Sst 5	79 -130
1107 1103	Breakers:EC2A2-020NVZR	49 -114
1204 1481	DIP Switch	71 -119
1204 1543	DIP Switch	95 -112
1204 2477	Rocker Switch - AC250V 10A	51 -104
1204 2521	Micro Switch	25 -105
1206 0112	Lithium Cell:CR1632/1F2	95 -113
1400 0381	Transistor - 2SA1036KR	79 -131
1400 0556	Transistor - DTB143EK	71 -120
1400 0730	Transistor - 2SD1782K	95 -114
1400 0747	Transistor-2SD1863	79 -132
1400 0767	Transistor:DTA114EUA	71 -121
1400 0775	Transistor - 2SC4081	71 -122
1400 0781	Transistor:2SB1132R	79 -133
1400 0810	Transistor:DTC114EUA	71 -123
1400 0810	Transistor:DTC114EUA	79 -134
1400 0909	Transistor - DTA143EUA	79 -135
1400 0909	Transistor - DTA143EUA	71 -124
1400 0919	Transistor - DTCL43XUA	71 -125
1401 1209	IC - HAT2093R	95 -115
1401 1228	FET:SI3433DV-E3	95 -116
1401 1296	FET:TPC8115	95 -117
1401 1320	FET:TPC8107	95 -118
1402 0545	Diode - 1SS244	79 -136
1402 1277	Diode - 12V500MW	79 -137
1402 1336	Diode - 1SS355	95 -119
1402 1336	Diode - 1SS355	71 -126

Part No.	Description	Page and Index No.
1402 1353	Diode - HZ12BP	79 -138
1402 1365	Diode-RB751V-40	95 -120
1402 1515	Diode Udzs6.2b	71 -127
1402 1584	Diode - DAN217U	79 -139
1402 1584	Diode - DAN217U	71 -128
1402 1698	Diode - RB	95 -121
1402 1709	Diode:EC21QS06G	95 -122
1402 1772	Diode:PTZ33B	79 -140
1402 1803	Diode:RF101I2S	79 -141
1403 0996	LED - SML-310VT	71 -129
1403 1131	LED:SML-311UT	95 -123
1407 1535	IC - TD62308AP	79 -142
1407 2187	TTLIC - SN74LS07NS	79 -143
1407 2187	TTLIC - SN74LS07NS	71 -130
1407 2218	TTLIC - SN74LS06NS	71 -131
1407 2219	IC - TD62003AP	79 -144
1407 4919	IC - 74VHCT244 TSSOP	95 -124
1407 5274	CMOS Logic - 74LVCH162244A TSSOP	95 -125
1407 5300	CMOS Logic - 74LVC16244A TSSOP	95 -126
1407 5321	CMOS Logic - 74LVCH16374A TSSOP	71 -132
1407 5334	IC - CMOS LOGIC 74LVC244A TSSOP	71 -133
1407 5334	IC - CMOS LOGIC 74LVC244A TSSOP	95 -127
1407 5346	IC - SN74LS74ANS	71 -134
1407 5347	IC - SN74LV08APW	79 -145
1407 5347	IC - SN74LV08APW	71 -135
1407 5350	IC - SN74LV00APW	71 -136
1407 5351	IC - SN74LV14APW	79 -146
1407 5351	IC - SN74LV14APW	71 -137
1407 5353	IC - SN74LV244APW	95 -128
1407 5353	IC - SN74LV244APW	71 -138
1407 5366	IC - 74LVC08A TSSOP	71 -139
1407 5368	IC - 74LVC245A TSSOP	71 -140
1407 5369	IC - SN74AHCT32PW	95 -129
1407 5382	CMOS Logic - SN74LV373APW	71 -141
1407 5447	LVDS - SS75LVDS86ADGG	71 -142

CÓPIA NÃO CONTROLADA

CÓPIA NÃO CONTROLADA

Part No.	Description	Page and Index No.
1407 5463	IC - SN74LV245APW	71 -143
1407 5469	IC - SN74LV07APW	95 -130
1407 5492	IC - SN74ALVC04PW	71 -144
1407 5500	IC - SN74ALVC08PW	71 -145
1407 5509	IC - SN74AHCT08PW	71 -146
1407 5519	IC - SN74AHCT245PW	71 -147
1407 5523	ROM - I2C SOP 3V	95 -131
1407 5580	IC - M32102S6FP	71 -148
1407 5604	IC - SN74LVC16245ADGG	95 -132
1407 5733	IC:SN74ALVC244PW	95 -133
1407 5862	Memory - MSM54V12222B-20JS	71 -149
1407 5868	Ethernet Cont LSI - DP83847ALQA56A	95 -134
1407 6032	IC - SN74LV161APW	71 -150
1407 6080	CMOS Logic:SN74LVC2G04DCK	95 -135
1407 6100	IC:SN74LVC1G04DCK	95 -136
1407 6101	IC - SN74LVC2G17DCK	95 -137
1407 6123	IC SN74LVC2G125DCU	95 -138
1407 6127	Clock Generator:ICS960008AFLF	95 -139
1407 6145	IC:SN74LVC373APW	95 -140
1407 6161	Clock Generator:ICS960009AFLF	95 -141
1407 6187	CMOS Logic - SN74LVC1G07DCK	95 -142
1407 6204	CMOS Logic:SN74LVC2G07DCK	95 -143
1407 6265	Real Time Clock:R2025S	95 -144
1407 6268	CMOS Logic:SN74CBTLV3257PW	95 -145
1407 6286	IC:RF5V851-1016	71 -151
1407 6318	CMOS Logic:SN74AHC1G00DCK	79 -147
1407 6335	CMOS Logic:SN74LVC1G17DCK	95 -146
1407 6343	Clock Generator:MB88152PNF-G-101-E1	71 -152
1407 6376	Motor Control IC:SLA7051M1	79 -148
1407 6453	CPU:RM7035C-466L-REV1.1	95 -147
1408 1296	Voltage Regulator - RN5RZ33B	71 -153
1408 1730	IC - MM1096BF	71 -154
1408 1742	Regulator - PQ025EH02Z	71 -155
1408 1744	Regulator - PQ018EH01Z	71 -156
1408 1750	IC - R3112Q231A	95 -148

Part No.	Description	Page and Index No.
1408 1760	IC:R3112Q401A-FA	71 -157
1408 1774	Series Regulator:UPC2933AT	71 -158
1408 1778	IC:R3112Q101A	95 -149
1408 1815	IC - R3112Q151A	95 -150
1408 1826	IC - R3112Q421A	95 -151
1408 1829	Ope Amp - LM358PW	71 -159
1408 1956	IC:LTC3728LXCUH#TRPBF	95 -152
1408 1960	IC:LP2996LQ/NOPB	95 -153
1408 2007	Operational Amplifier:LM324PW	71 -160
1408 2029	Comparator:LM2901PW	79 -149
1408 2034	IC:TPS62042DGQ	95 -154
1408 2053	IC:R3112Q291A-FA	95 -155
1408 2066	IC:TPS54310PWP	95 -156
1408 2132	IC:TPS54380PWP	95 -157
1503 0842	Oscillator - 14.31818MHZ	95 -158
1503 0843	Oscillator - 17.5Mhz	71 -161
1503 0946	Crystal Oscillator - 9.8304Mhz	79 -150
1503 0947	Crystal Oscillator:25Mhz	95 -159
1503 1181	Crystal Oscillator:30Mhz	95 -160
1503 1214	Ceramic Oscillator:16Mhz	71 -162
1503 1216	Crystal Oscillator:31.9488Mhz	71 -163
1503 1239	Crystal Oscillator:25Mhz	95 -161
1601 5528	Resistor:0.47 Ω:±5%:2W	79 -151
1601 5698	Resistor:300 Ω:±5%:2W	79 -152
1601 7750	Resistor - 22K Ω ±5.00%	79 -153
1601 7751	Resistor - 4.7KΩ ±5%	79 -154
1601 7752	Resistor Array - 10K Ω ±5%	79 -155
1601 7752	Resistor Array - 10K Ω ±5%	71 -164
1601 7760	Resistor Array	79 -156
1601 7780	Resistor	79 -157
1601 7791	Resistor Array - 1K Ω ±5%	71 -165
1601 7791	Resistor Array - 1K Ω ±5%	79 -158
1601 7849	Resistor - 33KΩ ±5% 1/16W	79 -159
1601 7867	Resistor - 33 Ω ±5% 1/16W	71 -166
1601 7867	Resistor - 33 Ω ±5% 1/16W	79 -160

CÓPIA NÃO CONTROLADA

CÓPIA NÃO CONTROLADA

Part No.	Description	Page and Index No.
1601 7871	Resistor - 68Ω ±5% 1/16W	71 -167
1601 7887	Resistor Array - 10K Ω ±5% 1/32W	95 -162
1601 7895	Resistor - 180 Ω ±5% 1/16W	79 -161
1601 7898	Resistor Array	95 -163
1601 7909	Resistor Array - 10 Ω ±5% 1/32W	95 -164
1601 7913	Resistor 22 Ω ±5% 1/32w	95 -165
1601 7943	Resistor Array - 68 Ω ±5% 1/32W	95 -166
1601 7959	Resistor	95 -167
1601 7981	Resistor Array - 100K Ω±5%1/16W	95 -168
1601 7987	Resistor Array - 82Ω ±5% 1/16W	95 -169
1604 2331	Capacitor - 47μF ±20% 10V	71 -168
1604 4630	Capacitor - 100μF ±20% 6.3V	95 -170
1604 4728	Capacitor - 100μF ±20% 16V	71 -169
1604 4728	Capacitor - 100μF ±20% 16V	95 -171
1604 4932	Capacitor - 100μF ±20% 25V	95 -172
1604 4994	Capacitor - 100μF ±20% 6.3V	95 -173
1604 5064	Capacitor 47μF:±20%:50V	71 -170
1604 5071	Capacitor 47μF:±20%:6.3V	71 -171
1604 5102	Capacitor:33μF:±20%:16V	95 -174
1604 5240	Capacitor:47μF:±20%:25V	71 -172
1604 5286	Capacitor:120μF:±20%:50V	79 -162
1605 0796	Capacitor:4700pf:±5%:50V	71 -173
1605 0976	Capacitor - 1μF +80% -20% 10V	71 -174
1605 1081	Capacitor - 10 μF +80-20% 25V	95 -175
1605 1095	Capacitor:180pf:±5%:25V	95 -176
1605 1109	Capacitor:9pF ±0.5% 50V	71 -175
1605 1124	Capacitor - 4.7μF +80 -20% 10V	95 -177
1605 1137	Capacitor - 470pF ±10% 50V	71 -176
1605 1148	Capacitor - 0.1μF +80-20% 50V	79 -163
1605 1148	Capacitor - 0.1μF +80-20% 50V	71 -177
1605 1161	Capacitor - 0.33μF ±10% 10V	71 -178
1605 1165	Capacitor:680pf:±5%:50V	95 -178
1605 1187	Ceramic Capacitor 0.047μF ±10% 50V	71 -179
1605 1194	Capacitor:3pf:±0.25pf:50V	95 -179
1605 1195	Capacitor:4pf:±0.25pf:50V	95 -180

Part No.	Description	Page and Index No.
1605 1196	Capacitor - 5PF:±0.25PF:50V	71 -180
1605 1200	Capacitor - 10PF ±0.5pF 50V	95 -181
1605 1200	Capacitor - 10PF ±0.5pF 50V	71 -181
1605 1201	Capacitor - 12pF ±5% 50V	71 -182
1605 1204	Capacitor-PF50V	71 -183
1605 1204	Capacitor-PF50V	95 -182
1605 1206	Capacitor - 47pF ±5% 50V	71 -184
1605 1206	Capacitor - 47pF ±5% 50V	95 -183
1605 1207	Capacitor - 68pF ±5% 50V	71 -185
1605 1207	Capacitor - 68pF ±5% 50V	95 -184
1605 1208	Capacitor:100pf:±5%:50V	95 -185
1605 1208	Capacitor:100pf:±5%:50V	71 -186
1605 1209	Capacitor - 150pF ±5% 50V	95 -186
1605 1210	Capacitor:180pf:±5%:50V	95 -187
1605 1211	Capacitor - 220pF ±10% 50V	95 -188
1605 1212	Capacitor - 470pF ±10% 50V	71 -187
1605 1212	Capacitor - 470pF ±10% 50V	95 -189
1605 1214	Capacitor - 1000pF ±10% 50V	71 -188
1605 1214	Capacitor - 1000pF ±10% 50V	95 -190
1605 1216	Capacitor - 2200PF±10%50V	95 -191
1605 1216	Capacitor - 2200PF±10%50V	71 -189
1605 1221	Capacitor - 0.1 μF+80-20%16V	71 -190
1605 1221	Capacitor - 0.1 μF+80-20%16V	95 -192
1605 1225	Capacitor - 0.1μF ±10% 50V	71 -191
1605 1234	Capacitor:4700PF:±10%:50V	95 -193
1605 1240	Capacitor - 0.01μF ±10% 25V	95 -194
1605 1249	Capacitor:0.047μF:±10%:16V	95 -195
1605 1282	Capacitor:22μF:+80-20%:10V	95 -196
1605 1283	Capacitor - 680pF ±10% 50V	95 -197
1605 1284	Capacitor:1500pf:±10%:50V	95 -198
1605 1289	Capacitor - 0.1μF ±10% 10V	95 -199
1605 1293	Capacitor - 27PF±5%50V	71 -192
1605 1295	Capacitor:10μF:+80-20%:10V	71 -193
1605 1295	Capacitor:10μF:+80-20%:10V	95 -200
1605 1296	Capacitor - 330pF ±10% 50V	95 -201

CÓPIA NÃO CONTROLADA

CÓPIA NÃO CONTROLADA

Part No.	Description	Page and Index No.
1605 1301	Capacitor-6800pF ±10% 50V	71 -194
1605 1303	Capacitor - 0.01µF +80-20% 50V	95 -202
1605 1303	Capacitor - 0.01µF +80-20% 50V	71 -195
1605 1305	Capacitor - 1µF +80-20% 6.3V	95 -203
1605 1306	Capacitor - 1µF ±10% 10V	71 -196
1605 1347	Capacitor - 1µF:+80-20%:16V	95 -204
1605 1353	Capacitor - 0.1µF ±10% 25V	95 -205
1605 1354	Capacitor:1200pf:±5%:50V	95 -206
1605 1358	Capacitor - 10µF ±10% 10V	71 -197
1605 1359	Capacitor - 10µF:±20%:16V	95 -207
1605 1391	Capacitor - 22µF:±20%:6.3V	95 -208
1605 1406	Capacitor - 10µF ±10% 6.3V	95 -209
1605 1416	Capacitor - 1800PF:±5%:50V	95 -210
1605 1417	Capacitor:47µF:+80-20%:10V	95 -211
1605 1453	Capacitor:0.022µF:±10%:16V	71 -198
1606 8041	Resistor Array - CKCA43CH1H10	71 -199
1607 0978	Inductor - BLM21P300SPB	95 -212
1607 1002	IC - NFM60R30T222	71 -200
1607 1051	Filter -FBMJ2125HS420	95 -213
1607 1061	Filter - BLM11P300SPB	95 -214
1607 1092	Ferrite Core:RFC-10	15 -107
1607 1228	Inductor - SLF7045-4R7M2R0	95 -215
1607 1276	Filter - ACF321825-331	71 -201
1607 1351	Filter BLM21PG221SN1B	95 -216
1607 1362	Coil - ACM3225-800-2P	95 -217
1607 1471	Inductor:LB2518B6R8M	95 -218
1607 1477	Inductor - RLF7030-4R7M3R4	95 -219
1607 1489	Filter - MMZ1608B301C	95 -220
1607 1556	Inductor:RLF7030-1R5N6R1	95 -221
1607 1557	FILTER:BLM21PG331SN1B	95 -222
1607 1567	Filter:MPZ2012S101A	95 -223
1607 1650	Inductor:RLF7030-6R8M2R8	95 -224
1609 0005	Resistor:33 Ω:±5%:1/16W	95 -225
1609 0005	Resistor:33 Ω:±5%:1/16W	71 -202
1609 0006	Resistor:10k Ω:±5%:1/16W	95 -226

Part No.	Description	Page and Index No.
1609 0006	Resistor:10k Ω:±5%:1/16W	71 -203
1609 0007	Resistor - 68Ω ±5% 1/16W	71 -204
1609 0007	Resistor - 68Ω ±5% 1/16W	95 -227
1609 0008	Resistor:4.7k Ω:±5%:1/16W	95 -228
1609 0009	Resistor - 47k Ω:±5%:1/16W	71 -205
1609 0011	Resistor:22Ω:±5%:1/16W	95 -229
1609 0016	Resistor:56 Ω:±5%:1/16W	95 -230
1609 0018	Resistor:2.2k Ω:±5%:1/16W	71 -206
1609 0019	Resistor:0 Ω:1608	71 -207
1609 0025	Resistor - 100Ω ±5% 1/16W	71 -208
1609 0026	Resistor - 47Ω ±5% 1/16W	95 -231
1609 0026	Resistor - 47Ω ±5% 1/16W	71 -209
1609 0030	Resistor Array:220 Ω:±5%:1/16W:8number	71 -210
1610 1734	Resistor:0.02 Ω:±1%:1W	95 -232
1610 1804	Resistor:0.006 Ω:±1%:1W	95 -233
1632 0000	Resistor - 0 Ω 1/8W	95 -234
1633 0000	Resistor - 0 Ω 1/10W	79 -164
1633 0000	Resistor - 0 Ω 1/10W	71 -211
1634 0000	Resistor - 0 Ω 1/16W	79 -165
1634 0000	Resistor - 0 Ω 1/16W	71 -212
1634 0000	Resistor - 0 Ω 1/16W	95 -235
1640 1101	Capacitor - 100µF - ±20% 16V	79 -166
1640 5101	Capacitor - 100µF ±20% 50V	79 -167
1640 5470	Capacitor - 47µF ±20% 50V	79 -168
1650 3101	Resistor - 100Ω±5%1/8W	71 -213
1650 3103	Chip Resistor - 10kΩ ±5% 1/8W	79 -169
1650 3113	Resistor:11k Ω:±5%:1/8W:2125	79 -170
1650 3123	Chip Resistor:12kΩ:±5%:1/8W	79 -171
1650 3221	Resistor - 220Ω±5%1/8W	79 -172
1650 4100	Resistor - 10Ω ±5% 1/10W	95 -236
1650 4100	Resistor - 10Ω ±5% 1/10W	79 -173
1650 4101	Resistor - 100Ω±5%1/10W	79 -174
1650 4101	Resistor - 100Ω±5%1/10W	71 -214
1650 4102	Resistor - 1KΩ ±5% 1/10W	79 -175
1650 4103	Resistor - 10KΩ ±5% 1/10W	71 -215

CÓPIA NÃO CONTROLADA

CÓPIA NÃO CONTROLADA

Part No.	Description	Page and Index No.
1650 4103	Resistor - 10K Ω \pm 5% 1/10W	79 -176
1650 4105	Resistor - 1M Ω \pm 5% 1/10W	79 -177
1650 4121	Resistor - 120 Ω \pm 5% 1/10W	79 -178
1650 4150	Resistor - 15 Ω \pm 5% 1/10W	95 -237
1650 4152	Resistor - 1.5K Ω \pm 5% 1/10W	79 -179
1650 4153	Resistor - 15K Ω \pm 5% 1/10W	71 -216
1650 4162	Resistor - 1.6K Ω \pm 5% 1/10W	79 -180
1650 4181	Resistor - 180 Ω \pm 5% 1/10W	79 -181
1650 4220	Resistor:22 Ω : \pm 5%:1/10W:1608	95 -238
1650 4221	Resistor - 220 Ω \pm 5% 1/10W	79 -182
1650 4221	Resistor - 220 Ω \pm 5% 1/10W	71 -217
1650 4222	Resistor - 2.2K Ω \pm 5% 1/10W	79 -183
1650 4223	Resistor - 22K Ω \pm 5% 1/10W	79 -184
1650 4330	Chip Resistor - 33 Ω \pm 5% 1/10W	79 -185
1650 4330	Chip Resistor - 33 Ω \pm 5% 1/10W	71 -218
1650 4330	Chip Resistor - 33 Ω \pm 5% 1/10W	95 -239
1650 4331	Resistor - 330 Ω \pm 5% 1/10W	79 -186
1650 4332	Resistor - 3.3K Ω \pm 5% 1/10W	79 -187
1650 4470	Resistor - 47 Ω \pm 5% 1/10W	79 -188
1650 4470	Resistor - 47 Ω \pm 5% 1/10W	95 -240
1650 4471	Resistor - 470 Ω \pm 5% 1/10W	79 -189
1650 4472	Resistor - 4.7K Ω \pm 5% 1/10W	79 -190
1650 4473	Resistor - 47K Ω \pm 5% 1/10W	79 -191
1650 4514	Resistor - 510K Ω \pm 5% 1/10W	79 -192
1650 4562	Resistor - 5.6K Ω \pm 5% 1/10W	79 -193
1650 4680	Resistor - 68 Ω \pm 5% 1/10W	95 -241
1650 4822	Chip Resistor:8.2k Ω : \pm 5%:1/10W	79 -194
1650 5100	Chip Resistor - 10 Ω \pm 5% 1/16W	71 -219
1650 5100	Chip Resistor - 10 Ω \pm 5% 1/16W	95 -242
1650 5101	Chip Resistor - 100 Ω \pm 5% 1/16W	71 -220
1650 5101	Chip Resistor - 100 Ω \pm 5% 1/16W	95 -243
1650 5102	Chip Resistor - 1k Ω \pm 5% 1/16W	71 -221
1650 5102	Chip Resistor - 1k Ω \pm 5% 1/16W	95 -244
1650 5103	Chip Resistor - 10k Ω \pm 5% 1/16W	71 -222
1650 5103	Chip Resistor - 10k Ω \pm 5% 1/16W	95 -245

Part No.	Description	Page and Index No.
1650 5104	Chip Resistor - 100k Ω \pm 5% 1/16W	95 -246
1650 5105	Chip Resistor - 1m Ω \pm 5% 1/16W	71 -223
1650 5105	Chip Resistor - 1m Ω \pm 5% 1/16W	95 -247
1650 5109	Chip Resistor 1 Ω \pm 5% 1/16W	95 -248
1650 5121	Chip Resistor:120 Ω : \pm 5%:1/16w:1005	71 -224
1650 5122	Chip Resistor - 1.2k Ω \pm 5% 1/16W	95 -249
1650 5151	Resistor - 150 Ω \pm 5% 1/16W	71 -225
1650 5182	Chip Resistor - 1.8k Ω \pm 5% 1/16W	71 -226
1650 5202	Chip Resistor:2k Ω : \pm 5%:1/16W	71 -227
1650 5202	Chip Resistor:2k Ω : \pm 5%:1/16W	95 -250
1650 5220	Resistor - 22 Ω \pm 5% 1/16W	71 -228
1650 5220	Resistor - 22 Ω \pm 5% 1/16W	95 -251
1650 5221	Chip Resistor - 220 Ω \pm 5% 1/16W	71 -229
1650 5221	Chip Resistor - 220 Ω \pm 5% 1/16W	95 -252
1650 5222	Resistor - 2.2K Ω \pm 5% 1/16W	71 -230
1650 5222	Resistor - 2.2K Ω \pm 5% 1/16W	95 -253
1650 5229	Resistor:2.2 Ω : \pm 5%:1/16w:1005	95 -254
1650 5244	Resistor:240k Ω : \pm 5%:1/16w:1005	71 -231
1650 5271	Chip Resistor 270 Ω \pm 5% 1/16W	95 -255
1650 5272	Chip Resistor:2.7k Ω : \pm 5%:1/16W	95 -256
1650 5273	Resistor:27k Ω : \pm 5%:1/16W	95 -257
1650 5330	Chip Resistor - 33 Ω \pm 5% 1/16W	71 -232
1650 5330	Chip Resistor - 33 Ω \pm 5% 1/16W	95 -258
1650 5331	Resistor - 330 Ω \pm 5% 1/16W	71 -233
1650 5392	Chip Resistor:3.9k Ω : \pm 5%:1/16W:1005	71 -234
1650 5470	Chip Resistor 47 Ω \pm 5% 1/16W	71 -235
1650 5470	Chip Resistor 47 Ω \pm 5% 1/16W	95 -259
1650 5472	Chip Resistor:4.7k Ω : \pm 5%:1/16W	95 -260
1650 5472	Chip Resistor:4.7k Ω : \pm 5%:1/16W	71 -236
1650 5473	Chip Resistor - 47k Ω \pm 5% 1/16W	71 -237
1650 5510	Chip Resistor - 51 Ω \pm 5% 1/16W	71 -238
1650 5511	Resistor - 510 Ω \pm 5% 1/16W	71 -239
1650 5512	Chip Resistor 5.1k Ω \pm 5% 1/16W	95 -261
1650 5513	Chip Resistor:51k Ω : \pm 5%:1/16W	95 -262
1650 5514	Chip Resistor:510k Ω : \pm 5%:1/16W	95 -263

CÓPIA NÃO CONTROLADA

CÓPIA NÃO CONTROLADA

Part No.	Description	Page and Index No.
1650 5560	Chip Resistor 56Ω ±5% 1/16W	95 -264
1650 5561	Chip Resistor 560Ω ±5% 1/16W	71 -240
1650 5562	Chip Resistor:5.6kΩ:±5%:1/16W	95 -265
1650 5562	Chip Resistor:5.6kΩ:±5%:1/16W	71 -241
1650 5621	Chip Resistor 620Ω ±5% 1/16W	95 -266
1650 5680	Resistor - 68Ω ±5% 1/16W	95 -267
1650 5680	Resistor - 68Ω ±5% 1/16W	71 -242
1650 5681	Chip Resistor:680Ω:±5%:1/16W	95 -268
1650 5682	Chip Resistor:6.8kΩ:±5%:1/16W:1005	71 -243
1650 5683	Chip Resistor 68kΩ ±5% 1/16W	95 -269
1650 5750	Chip Resistor:75Ω:±5%:1/16W	95 -270
1650 5751	Resistor:750 Ω:±5%:1/16W:1005	71 -244
1650 5820	Chip Resistor:82Ω:±5%:1/16W	95 -271
1650 5822	Chip Resistor:8.2kΩ:±5%:1/16W	95 -272
1650 5823	Chip Resistor:82kΩ:±5%:1/16W	95 -273
1653 4999	Resistor - 49.9Ω ±1% 1/8W	95 -274
1653 5499	Resistor - 54.9Ω ±1% 1/8W	95 -275
1654 1000	Resistor - 100Ω ±1% 1/10W	95 -276
1654 1001	Resistor - 1KΩ±1%1/10W	95 -277
1654 1004	Chip Resistor - 1mΩ ±1% 1/10W	95 -278
1654 1202	Resistor:12kΩ:±1%:1/10W	79 -195
1654 1501	Resistor - 1.5K Ω ±1% 1/10W 1608	95 -279
1654 1502	Resistor - 15KΩ±1% 1/10W	79 -196
1654 1502	Resistor - 15KΩ±1% 1/10W	95 -280
1654 2001	Chip Resistor - 2kΩ ±1% 1/10W	79 -197
1654 3001	Resistor:3K Ω:±1%:1/10W:1608	79 -198
1654 3609	Resistor - 36Ω±1%1/10W	95 -281
1654 5601	Resistor - 5.6KΩ±1% 1/10W	71 -245
1654 8201	Resistor - 8.2KΩ ±1% 1/10W	95 -282
1654 9761	Resistor:9.76kΩ ±1% 1/10W	95 -283
1655 0000	Chip Resistor - 0Ω±0%1/16W	71 -246
1655 0000	Chip Resistor - 0Ω±0%1/16W	95 -284
1655 1000	Chip Resistor:100Ω:±1%:1/16W	95 -285
1655 1001	Chip Resistor - 1kΩ ±1% 1/16W	71 -247
1655 1002	Chip Resistor - 10kΩ±1%1/16W	95 -286

Part No.	Description	Page and Index No.
1655 1003	Chip Resistor - 100kΩ±1%1/16W	71 -248
1655 1022	Resistor:10.2k Ω:±1%:1/16W	95 -287
1655 1301	Chip Resistor:1.3kΩ:±1%:1/16W	95 -288
1655 1431	Resistor:1.43k Ω:±1%:1/16W:1005	71 -249
1655 1602	Resistor:16k Ω:±1%:1/16W	95 -289
1655 1651	Resistor:1.65k Ω:±1%:1/16W:1005	95 -290
1655 1800	Chip Resistor:180Ω:±1%:1/16W	95 -291
1655 1912	Resistor:19.1k Ω:±1%:1/16W	95 -292
1655 2002	Chip Resistor - 20kΩ±1%1/16W	95 -293
1655 2152	Chip Resistor:21.5kΩ:±1%:1/16W	95 -294
1655 2742	Resistor:27.4k Ω:±1%:1/16W	95 -295
1655 3000	Chip Resistor:300Ω:±1%:1/16W	95 -296
1655 3402	Resistor:34k Ω:±1%:1/16W	95 -297
1655 3900	Resistor:390 Ω:±1%:1/16W	95 -298
1655 4321	Resistor:4.32k Ω:±1%:1/16W	95 -299
1655 4700	Chip Resistor:470Ω:±1%:1/16W:1005	71 -250
1655 4701	Chip Resistor - 4.7kΩ±1%1/16W	71 -251
1655 4701	Chip Resistor - 4.7kΩ±1%1/16W	95 -300
1655 4702	Chip Resistor:47kΩ:±1%:1/16W:1005	71 -252
1655 4870	Resistor:487 Ω:±1%:1/16W	95 -301
1655 5231	Resistor:5.23k Ω:±1%:1/16W:1005	71 -253
1655 6040	Chip Resistor:604Ω:±1%:1/16W:1005	71 -254
1655 6341	Resistor:6.34k Ω:±1%:1/16W	95 -302
1655 6342	Resistor:63.4k Ω:±1%:1/16W	95 -303
1655 6809	Chip Resistor - 68Ω±1%1/16W	71 -255
1655 7152	Resistor:71.5k Ω:±1%:1/16W	95 -304
1655 8251	Resistor:8.25k Ω:±1%:1/16W	95 -305
1655 9761	Resistor:9.76k Ω:±1%:1/16W	95 -306
1660 0100	Capacitor - 10PF ±0.5pF 50V	71 -256
1660 2101	Capacitor - 100pF - ±10% - 50V	79 -199
1660 2121	Capacitor - 120pF ±5% 50V	71 -257
1660 2121	Capacitor - 120pF ±5% 50V	95 -307
1660 2270	Capacitor - 27pF ±20% 35V	79 -200
1660 2330	Capacitor - 33pF - ±5% - 50V	79 -201
1660 2391	Capacitor - 390pF ±5% 50V	71 -258

CÓPIA NÃO CONTROLADA

CÓPIA NÃO CONTROLADA

Part No.	Description	Page and Index No.
1660 2471	Capacitor - 470pF - ±5% - 50V	71 -259
1660 2471	Capacitor - 470pF - ±5% - 50V	79 -202
1660 4102	Capacitor - 1000pF ±10% 50V	79 -203
1660 4102	Capacitor - 1000pF ±10% 50V	95 -308
1660 4472	Capacitor - 4700PF±10% 50V	95 -309
1660 4472	Capacitor - 4700PF±10% 50V	79 -204
1660 6103	Capacitor - 10000pF - +80%-20%50V	71 -260
1660 6103	Capacitor - 10000pF - +80%-20%50V	79 -205
1660 8104	Capacitor - 0.1µF +80-20% 25V	79 -206
1906 0021	IC - DRAM MBM29LV160BE70TN	71 -261
1906 0076	Flash Memory:MBM29QL12LM12PCN	95 -310

Part No.	Description	Page and Index No.
5203 9501	Grease 501	101 - 8
5206 2684	Shoulder Screw - M3	37 - 20
5206 2684	Shoulder Screw - M3	39 - 17
5206 2684	Shoulder Screw - M3	41 - 18
5215 2621	Snap Ring - M6	21 - 26
5215 2621	Snap Ring - M6	23 - 26
5215 2713	Bottom Plate Pad	21 - 9
5215 2713	Bottom Plate Pad	23 - 9
5442 1924	Exposure Glass Cushion	15 - 2
5442 2108	Corona Wire Spring	33 - 11

CÓPIA NÃO CONTROLADA