

EPSON

ACULASER C8600

(Spares Guide includes supplements for Options:
C813871 500 SHEET PAPER CASSETTE
C813881 DUPLEX UNIT
C813891 LARGE CAPACITY PAPER CASSETTE)

Page No.:1

| REF NO | PART NO | DESCRIPTION | SPEC | QTY |
|---------|---------|----------------------|-----------|-----|
| 01-1-01 | 1110060 | FRONT COVER ASSY | 802K4353X | 1 |
| 01-1-04 | 1042089 | HINGE PLATE | | 2 |
| 01-1-05 | 1091869 | FRONT LOWER COVER | 802E3211X | 1 |
| 01-1-06 | 1091870 | FRONT MID COVER | 802K3446X | 1 |
| 01-1-10 | 1110061 | L/H INNER COVER ASSY | 802K4407X | 1 |
| 01-1-12 | 1042092 | ROTARY LATCH LEVER | | 1 |
| 01-1-13 | 1042093 | ROTARY LATCH SPRING | | 1 |
| 01-1-14 | 1091872 | IBT INNER COVER ASSY | 802K3430X | 1 |
| 01-1-15 | 1110062 | R/H INNER COVER ASSY | 802K4408X | 1 |
| 01-1-20 | 1114120 | TOP COVER ASSY | 802K4352X | 1 |
| 01-1-31 | 1091875 | REAR COVER ASSY | 802E3213X | 1 |
| 01-1-32 | 1091876 | FILTER ASSY | 53K9185X | 1 |
| 01-1-35 | 1091877 | REAR O/H COVER | 802E3215X | 1 |
| 01-1-40 | 1091878 | LEFT LOWER COVER | 802E3216X | 1 |
| 01-1-41 | 1091879 | LEFT O/H COVER | 802E3218X | 1 |
| 01-1-50 | 1091880 | RIGHT LOWER COVER | 802E3217X | 1 |
| 01-1-51 | 1091881 | RIGHT COVER ASSY | 802K3443X | 1 |
| 01-1-60 | 2056210 | PANEL | 802K3474X | 1 |
| 01-1-70 | 1084870 | LOGO PLATE,13*54;B | | 1 |
| 02-1-01 | 1110063 | UNIVERSAL TRAY | 84K682X | 1 |
| 02-1-03 | 1042101 | PLATE LINK SPRING | | 1 |
| 02-1-04 | 1042102 | PLATE LINK | | 1 |
| 02-1-05 | 1091884 | BOTTOM PLATE ASSY | 15K5489X | 1 |
| 02-1-06 | 1042104 | TRAY N/F SPRING | | 2 |
| 02-1-08 | 1042105 | FRONT GUIDE | | 1 |
| 02-1-09 | 1091886 | FRONT SNUBBER | 19K579X | 1 |
| 02-1-10 | 1042107 | SNUBBER STOPPER | | 1 |
| 02-1-11 | 1110064 | SNUBBER LABEL | 892E7345X | 1 |
| 02-1-12 | 1110065 | REAR GUIDE ASSY | 38K8644X | 1 |
| 02-1-16 | 1042109 | REAR GUIDE SPRING | | 2 |
| 02-1-17 | 1091889 | END GUIDE | 38K8625X | 1 |
| 02-1-18 | 1042111 | TRAY SIZE ACTUATOR | | 1 |
| 02-1-19 | 1054098 | GEAR | 7E5201X | 1 |
| 02-1-20 | 1054100 | SPRING | 809E888X | 1 |
| 03-1-02 | 2037832 | TRAY SENSOR HARNESS | 162K5331X | 1 |
| 03-1-05 | 1042128 | SIZE SWITCH ASSY | | 1 |
| 03-1-07 | 2060871 | TRAY N/P SENSOR ASSY | 15K5265X | 1 |
| 03-1-11 | 1091890 | TURN CHUTE UP ASSY | 54K1959X | 1 |
| 03-1-17 | 1056866 | TURN CHUTE COVER | 802K1653X | 1 |
| 03-1-18 | 2029259 | LOW PAPER SENSOR | 110E9797X | 1 |
| 03-1-21 | 1109129 | TURN IN CHUTE | 54E2169X | 1 |
| 03-1-22 | 1091891 | TURN CHUTE ASSY | 54K1965X | 1 |
| 03-1-23 | 1091892 | TURN ROLL ASSY | 59K2050X | 1 |
| 03-1-25 | 1091893 | TURN GEAR 16 | 7E7102X | 1 |
| 03-1-26 | 1091894 | TURN GEAR 30 | 7E7103X | 1 |
| 03-1-27 | 1056872 | TURN GEAR M | 7E5868X | 1 |
| 03-1-28 | 1092006 | TURN GEAR 19D | 7E7104X | 2 |
| 03-1-29 | 1060846 | FEED ROLL ASSY | 59K1818X | 1 |
| 03-1-31 | 1060847 | FEED ROLL | 59K1819X | 2 |
| 03-1-35 | 2060891 | FEED SOLENOID | 121E8817X | 1 |
| 03-1-36 | 1092008 | FEED GEAR ASSY | 7K1283X | 1 |
| 03-1-37 | 1092009 | FEED SPRING | 809E3588X | 1 |
| 03-1-38 | 1042117 | FED IDLER GEAR | | 1 |
| 03-1-40 | 1042127 | TRAY STOPPER | | 1 |
| 03-1-42 | 1092010 | TURN CLUTCH | 121K2445X | 1 |
| 03-1-46 | 2035740 | TURN CHUTE HARNESS | 162K5332X | 1 |
| 03-1-47 | 1056876 | TURN GEAR COVER | 802E819X | 1 |
| 03-1-48 | 2028259 | EXIT CHUTE SWITCH | | 1 |
| 04-1-03 | 2028259 | EXIT CHUTE SWITCH | | 1 |

EPSON

ACULASER C8600

Page No.:2

| REF NO | PART NO | DESCRIPTION | SPEC | QTY |
|---------|---------|------------------------|-----------|-----|
| 04-1-06 | 2073319 | MSI ASSY | 84K707X | 1 |
| 04-1-10 | 2073320 | MSI TRAY ASSY | 50K4768X | 1 |
| 04-1-50 | 2060890 | MAIN P/H FRAME ASSY | 1K7464X | 1 |
| 04-2-04 | 1056878 | P/B PAD | 19E4297X | 1 |
| 04-2-08 | 2035742 | MSI HARNESS ASSY | 162K5333X | 1 |
| 04-2-09 | 1056879 | GEAR 28 | 7E5866X | 1 |
| 04-2-10 | 2035743 | BOTTOM PLATE SENSOR | 130E8219X | 1 |
| 04-2-15 | 1092014 | PAD MSI TRAY | 19E5024X | 1 |
| 04-2-17 | 1092015 | SHAFT MSI TRAY | 6E7492X | 1 |
| 04-2-20 | 1092020 | LIFT UP FRAME ASSY | 1K7837X | 1 |
| 04-2-26 | 2060892 | LIFT MOTOR ASSY | 127K3262X | 1 |
| 04-3-05 | 2021773 | E.R.M. SENSOR | | 1 |
| 04-3-06 | 2028232 | SENSOR | | 1 |
| 04-3-07 | 1056881 | MSI N/P ACTUATOR | 120E1768X | 1 |
| 04-3-20 | 2060893 | MSI FEED FRAME ASSY | 1K7460X | 1 |
| 04-3-23 | 2035743 | BOTTOM PLATE SENSOR | 130E8219X | 1 |
| 04-3-28 | 1091882 | ROLL | 59K1959X | 1 |
| 04-3-29 | 1056884 | FEED ROLL | 59K1442X | 1 |
| 04-3-39 | 1110059 | RTD SPRING | 809E3815X | 1 |
| 04-3-41 | 1092026 | PICK UP CLUTCH | 121K2463X | 1 |
| 04-3-42 | 1092027 | GEAR-16 | 7E6688X | 1 |
| 04-3-45 | 1056889 | RETARD ROLL | 59K1565X | 1 |
| 04-4-03 | 1056890 | PRE REG. ROLL ASSY | 59K1440X | 1 |
| 04-4-04 | 2069027 | PRE REG. CLUTCH ASSY | 121E2343X | 1 |
| 04-4-05 | 2035748 | PRE REG. CLUTCH ASSY | 121K2188X | 1 |
| 04-4-14 | 1108618 | IBT REG. CHUTE | 54E1905X | 1 |
| 04-4-16 | 2035749 | REG. HARNESS ASSY | 162K5328X | 1 |
| 04-4-20 | 1042164 | P/H FRONT RAIL-L | | 1 |
| 04-4-21 | 1092030 | P/H REAR RAIL-L | 1K7956X | 1 |
| 04-4-24 | 2028232 | SENSOR | | 1 |
| 04-4-25 | 2028232 | SENSOR | | 1 |
| 04-4-29 | 1042163 | P/H FRONT RAIL-S | | 1 |
| 04-4-30 | 1092032 | P/H REAR RAIL-R | 1E6224X | 1 |
| 06-1-01 | 2060895 | ROS ASSY | 62K1084X | 1 |
| 06-1-20 | 2060896 | ADC SENSOR ASSY | 130K6183X | 1 |
| 06-1-30 | 2060897 | ERASE LAMP ASSY | 122K9337X | 1 |
| 06-1-31 | 2060898 | BCR WIRE ASSY | 117K3454X | 1 |
| 06-1-42 | 2028242 | WASTE TONER SENSOR | | 1 |
| 06-1-43 | 2028243 | TONER BOX SENSOR | | 1 |
| 06-1-44 | 2028244 | TONER BOX HARNESS | | 1 |
| 06-1-50 | 1042187 | BCR CONNECTOR ASSY | | 1 |
| 06-1-60 | 2060899 | RECEPTACLE ASSY | 26K8098X | 1 |
| 06-1-70 | 2028245 | DRUM CONNECTOR ASSY | | 1 |
| 07-1-10 | 1110066 | DEVELOPER ASSY Y | 604K644X | 1 |
| 07-1-20 | 1110067 | DEVELOPER ASSY M | 604K645X | 1 |
| 07-1-30 | 1110068 | DEVELOPER ASSY C | 604K646X | 1 |
| 07-1-40 | 1110069 | DEVELOPER ASSY BK | 604K647X | 1 |
| 07-2-02 | 1092037 | ROTARY FRAME ASSY | 1K7662X | 1 |
| 07-2-05 | 1092038 | ROTARY LATCH ASSY | 3K1244X | 1 |
| 07-2-11 | 1056892 | DEV.CONTACT PLATE ASSY | 15K4455X | 1 |
| 07-2-22 | 1042195 | ROTARY SENSOR | | 1 |
| 07-2-32 | 2071548 | USED CART.SENSOR | 130E1033X | 1 |
| 08-1-01 | 2060900 | 2ND BTR CAM ASSY | 8K9160X | 1 |
| 08-1-02 | 1092039 | BTR REAR BRACKET ASSY | 15K5185X | 1 |
| 08-1-06 | 1092040 | AUGER HIGH ASSY | 6K2163X | 1 |
| 08-1-11 | 1092041 | IBT REAR BRACKET ASSY | 15K5033X | 1 |
| 08-1-20 | 2060903 | TRANSFER HIGH ASSY | 802K3630X | 1 |
| 08-1-21 | 1056896 | TENSION LEVER | 11E964X | 1 |
| 08-1-22 | 2060901 | 2ND BTR ASSY | 802K3386X | 1 |
| 08-1-23 | 2060902 | BELT CLEANER ASSY | 42K209X | 1 |
| 08-2-02 | 1056901 | IBT BELT ASSY | 64K9135X | 1 |
| 08-2-23 | 1061170 | TENSION SHAFT SPRING | 9E7142X | 2 |
| 08-2-24 | 2035763 | TRO SENSOR | 130E8427X | 1 |
| 08-2-45 | 2040930 | TRO HARNESS | 162K5335X | 1 |
| 08-3-02 | 2061068 | BTR CAM CLTCH | 121K2453X | 1 |
| 08-3-03 | 2061069 | CAM ASSY-M | 8K9161X | 1 |

EPSON

ACULASER C8600

Page No.:3

| REF NO | PART NO | DESCRIPTION | SPEC | QTY |
|----------------|----------------|--------------------------|----------------|----------|
| 08-3-04 | 2035743 | BOTTOM PLATE SENSOR | 130E8219X | 1 |
| 09-1-02 | 2073322 | MAIN FUSER ASSY+ | 126K1447X | 1 |
| 09-1-03 | 2074202 | FUSER TRAY ASSY | 50K4765X | 1 |
| 09-3-04 | 1092450 | FUSER TRAY LEVER | 11E1271X | 1 |
| 09-3-05 | 1109131 | FUSER TRAY CAP-B | 21E9812X | 1 |
| 09-3-06 | 1092451 | FUSER FRONT RAIL | 1K7853X | 1 |
| 09-3-07 | 1092452 | FUSER REAR RAIL | 1K7855X | 1 |
| 09-3-14 | 1092453 | EXIT-1 ROLL ASSY | 59K2245X | 1 |
| 09-3-17 | 1042217 | EXCHANGE CHUTE | | 1 |
| 09-3-22 | 2061073 | EXCHANGE SOLENOID | 121E8846X | 1 |
| 09-3-29 | 2035772 | FUSER HARNESS ASSY | 162K5325X | 1 |
| 09-4-03 | 1109909 | FUSER TRAY CAP-A | 21E9811X | 1 |
| 09-4-04 | 2069024 | FUSER IN SENSOR | 130E1030X | 1 |
| 09-4-07 | 1092454 | FUSER IN ACTUATOR | 120E2071X | 1 |
| 09-4-08 | 1042227 | FUSER IN SPRING | | 1 |
| 09-4-10 | 2061074 | FUSER CHUTE FAN | 127E1381X | 1 |
| 09-4-14 | 1092455 | INPUT BRACKET ASSY | 15K5027X | 1 |
| 09-4-16 | 1056914 | CLEANER CAM GEAR | 7E6003X | 1 |
| 09-4-19 | 1092456 | INPUT GEAR FT-3 | 7E6721X | 1 |
| 09-4-20 | 1092457 | INPUT GEAR FT-2 | 7E6722X | 1 |
| 09-4-21 | 1092458 | INPUT GEAR FT-1 | 7E6723X | 1 |
| 09-4-24 | 2035773 | CLEANER CAM SOLENOID | 121E8704X | 1 |
| 09-4-25 | 1092459 | CLEANER CAM ASSY | 8K182X | 1 |
| 09-4-31 | 1092460 | FUSER EARTH-C | 809E2983X | 1 |
| 10-1-01 | 2061099 | EXIT LOWER ASSY | 54K1859X | 1 |
| 10-1-02 | 1092463 | EXIT UPPER ASSY | 54K2084X | 1 |
| 10-1-10 | 1153846 | EXIT TRAY ASSY | 673K9237X | 1 |
| 10-2-07 | 2061075 | EXIT CHUTE FAN | 127K3241X | 1 |
| 10-2-22 | 2061076 | FUSER FAN-1 | 127K3242X | 1 |
| 10-2-24 | 2028258 | TOP EXIT SENSOR | | 1 |
| 10-2-26 | 2028259 | EXIT CHUTE SWITCH | | 1 |
| 10-2-27 | 2061077 | EXIT HARNESS | 162K6419X | 1 |
| 11-1-01 | 1092464 | P/H DRIVE ASSY | 7K8679X | 1 |
| 11-1-02 | 2061078 | PRO DRIVE GEAR ASSY | 7K8680X | 1 |
| 11-1-04 | 2061079 | FUSER MOTOR ASSY | 127K3255X | 1 |
| 11-1-05 | 2061080 | P/H MOTOR ASSY | 127K3258X | 1 |
| 11-1-06 | 2061082 | PRO MOTOR ASSY | 127K3256X | 1 |
| 11-1-07 | 2061082 | PRO MOTOR ASSY | 127K3256X | 1 |
| 11-1-10 | 2061084 | P/R MOT&DRV ASSY | 127K3260X | 1 |
| 11-1-20 | 2061085 | ROTARY MOTOR ASSY | 127K3290X | 1 |
| 11-1-21 | 2061086 | ROTARY MOTOR DRIVE PWB | 160K7699X | 1 |
| 11-1-22 | 2061087 | DISPENSE MOTOR ASSY | 127K3277X | 1 |
| 11-1-23 | 2061088 | DEV.GEAR CLUTCH ASSY | 121K2913X | 1 |
| 12-1-28 | 1042245 | FRAME FOOT | | 4 |
| 12-1-29 | 1056919 | SHEET CLAMP | 19E3450X | 2 |
| 13-1-01 | 2074204 | LV/HV POWER SUPPLY(230V) | 105K1954X | 1 |
| 13-1-05 | 2061090 | DEV.FAN | 127K3369X | 1 |
| 13-1-15 | 2035792 | DEV.WIRE | 117K3025X | 1 |
| 13-1-16 | 2061091 | MAIN HARNESS ASSY | 162K6421X | 1 |
| 13-1-17 | 2061092 | FUSER CONNECTOR | 162K6945X | 1 |
| 13-1-25 | 2029164 | POWER CABLE | | 1 |
| 13-1-25 | 2029165 | POWER CABLE | | 1 |
| 13-1-25 | 2029253 | POWER CABLE | | 1 |
| 13-1-25 | 2037206 | POWER CABLE | | 1 |
| 13-2-01 | 2061094 | MCU PWB-XL | 160K7619X | 1 |
| 13-2-02 | 2061095 | COMMUNICATION PWB | 160K7641X | 1 |
| 13-2-03 | 2061096 | FRONT COVER SWITCH RIGHT | 110E1087X | 1 |
| 13-2-04 | 2035797 | FRONT COVER SWITCH LEFT | 110K1064X | 1 |
| 13-2-05 | 2061097 | ENVIRONMENT SENSOR | 130K6153X | 1 |
| 13-2-20 | 2061098 | P/H HARNESS ASSY | 162K6443X | 1 |
| 13-2-21 | 2071546 | ROS HARNESS | 162K6422X | 1 |
| 14-1-01 | 1092462 | CONT.CHASSIS ASSY | 101K3812X | 1 |
| 14-1-10 | 2060476 | BOARD ASSY.,MAIN | 5823D | 1 |
| 14-1-11 | 2048955 | BOARD ASSY.,I/F | 5774A,STANDARD | 1 |
| 14-1-12 | 2056209 | HARNESS | 4120-6863-01 | 1 |
| 14-1-15 | 1092465 | SPACER 20 | 14E4354X | 1 |

EPSON

ACULASER C8600

Page No.:4

| REF NO | PART NO | DESCRIPTION | SPEC | QTY |
|---------|---------|---|------------|-----|
| 14-1-16 | 2056302 | BOARD ASSY.,NETWORK | 160K8776X | 1 |
| 14-1-17 | 2056212 | HARNESS | 962K909X | 1 |
| 14-1-20 | 2056208 | HARNESS | | 1 |
| 14-1-25 | 1063436 | SHIELD CONT OPTION | 101E1579X | 1 |
| 14-1-26 | 1012855 | GROUNDING SPRING,TYPE-B | | 1 |
| 14-1-27 | 1012848 | GUIDE RAIL | | 1 |
| 14-1-31 | 1110070 | CONT.PLATE | 30K7488X | 1 |
| 14-1-32 | 1092470 | PLATE COVER | 15E7780X | 1 |
| 14-1-41 | 2055967 | RAM DIMM | | 1 |
| 14-1-42 | 2056412 | BOARD ASSY.,MEMORY | 5698J,C457 | 1 |
| NONFIG | 1067947 | SCREW M3X14 | 26E7793X | 3 |
| NONFIG | 1092471 | G-5000H OIL KIT | 673K8647X | 1 |
| NONFIG | 5021389 | REPACK KIT-SPACER | 604K556X | 1 |
| END | | | | |
| | | | | |
| | | C813871 – 500 SHEET PAPER CASSETTE | | |
| | | | | |
| | | | | |
| 01-1-03 | 1110071 | 500 TRAY ASSY | 50K4767X | 1 |
| 02-1-01 | 1057615 | FEEDER FRONT COVER | 802E1555X | 2 |
| 02-1-10 | 1059912 | FEEDER LEFT COVER | 802E1668X | 1 |
| 02-1-20 | 1059913 | FEEDER RIGHT COVER | 802E1667X | 1 |
| 02-1-21 | 2028259 | EXIT CHUTE SWITCH | | 1 |
| 02-1-22 | 2037254 | COVER SWITCH HARNESS | 162K6126X | 1 |
| 02-1-30 | 1109132 | FEEDER CHUTE ASSY-1T | 54K2204X | 1 |
| 03-1-01 | 2061104 | FEEDER HIGH ASSY | 59K2161X | 1 |
| 03-1-03 | 2061105 | FEEDER MOTOR ASSY | 127K3362X | 1 |
| 03-1-04 | 2037255 | FEEDER DRIVE ASSY | 7K8638X | 1 |
| 03-1-07 | 2030397 | TRAY3 PAPER SIZE SNR PWB | | 1 |
| 03-1-09 | 2061106 | FEEDER PWB | 160K7620X | 1 |
| 03-1-13 | 2037256 | FEEDER HARNESS ASSY-1T | 162K6125X | 1 |
| 03-1-22 | 1056931 | SHEET CLAMP | 14E3873X | 6 |
| 03-1-30 | 2021773 | E.R.M. SENSOR | | 1 |
| 03-2-11 | 1056969 | RETARD ROLL ASSY | 59K884X | 1 |
| 03-2-21 | 2069028 | UPPER FRAME ASSY | 801K170X | 1 |
| 03-2-25 | 1056973 | NUDGER ROLL ASSY | 59K1430X | 1 |
| 03-2-29 | 1056875 | TURN CLUTCH | 121K2189X | 1 |
| 03-2-32 | 1056974 | NUDGER LEVER | 11E9494X | 1 |
| 03-2-33 | 2035817 | NUDGER SENSOR | 107E868X | 1 |
| 03-2-35 | 1056975 | FEED ROLL ASSY | 59K1725X | 1 |
| 03-2-36 | 2028232 | SENSOR | | 1 |
| 03-2-45 | 2035818 | NO PAPER SENSOR | 130E8160X | 1 |
| 03-2-50 | 1056976 | TA ROLL ASSY | 59K1434X | 1 |
| 03-2-51 | 2035821 | NUD SOLENOID ASSY | 121K2156X | 1 |
| 03-2-56 | 2035822 | TURN CLUTCH ASSY | 121K2103X | 1 |
| 04-1-03 | 1092477 | SIDE GUIDE LOCK KNOB | 3E5713X | 1 |
| 04-1-06 | 1104229 | GEAR 55 | 7E5875X | 1 |
| 04-1-07 | 1104230 | GEAR 16/49 | 7E5876X | 1 |
| 04-1-08 | 1104231 | GEAR 16/32 | 7E5877X | 1 |
| 04-1-09 | 1045191 | END GUIDE SPRING | | 1 |
| 04-1-10 | 1092478 | LEVER ASSY | 11K9700X | 1 |
| 04-1-21 | 1092479 | END GUIDE | 38E2495X | 1 |
| 04-1-24 | 1057622 | FRONT TRAY COVER | 802E1554X | 1 |
| 04-1-25 | 1042109 | REAR GUIDE SPRING | | 1 |
| END | | | | |
| | | | | |
| | | | | |

EPSON

ACULASER C8600

Page No.:5

| REF NO | PART NO | DESCRIPTION | SPEC | QTY |
|---------|---------|--------------------------------|-----------|-----|
| | | C813881 DUPLEX UNIT | | |
| 01-1-02 | 2071813 | DUPLEX TRANSPORT ASSY | 59K2455X | 1 |
| 01-1-03 | 2071814 | ALIGNER ASSY | 59K2456X | 1 |
| 01-1-04 | 2061109 | INVERTER ASSY | 59K2343X | 1 |
| 01-1-07 | 2035823 | LOWER INVERTER SOLENOID | 121K2157X | 1 |
| 01-1-08 | 1056980 | LOWER INVERTER SOLENOID SPRING | 809E2109X | 1 |
| 01-1-15 | 1057582 | OPTION CAP A | 21E9735X | 1 |
| 02-1-03 | 1056981 | GATE DUPLEX | 54E1586X | 1 |
| 02-1-06 | 2035824 | DUP GATE SOLENOID | 121K2225X | 1 |
| 02-1-11 | 1056982 | PINCH ROLLER ASSY | 22K5744X | 4 |
| 02-1-16 | 1056983 | EXIT ROLLER ASSY | 22K5745X | 1 |
| 03-1-03 | 1056984 | IN ROLLER ASSY | 22K5746X | 1 |
| 03-1-04 | 1056985 | EXIT ROLLER ASSY | 22K5747X | 1 |
| 03-1-05 | 1056986 | REGI ROLLER ASSY | 22K5748X | 1 |
| 03-1-06 | 1056987 | ENTRY CHUTE ASSY | 54K1814X | 1 |
| 03-1-07 | 2035826 | EXIT CHUTE ASSY | 54K1815X | 1 |
| 03-1-09 | 2028232 | SENSOR | | 1 |
| 03-1-10 | 2035827 | REGI CHUTE ASSY | 54K1816X | 1 |
| 03-1-12 | 2028232 | SENSOR | | 1 |
| 03-1-13 | 1056988 | CHUTE SUPPORT | 54E1660X | 1 |
| 03-1-14 | 1110072 | ALIGNER COVER-FR | 802K4501X | 1 |
| 03-1-15 | 1056990 | R/H ASSY | 1K7330X | 1 |
| 03-1-20 | 1056919 | SHEET CLAMP | 19E3450X | 2 |
| 03-1-23 | 2035829 | ALIGNER DRIVE CLUTCH | 121K2226X | 1 |
| 03-1-33 | 1104232 | BELT 346 | 23E1927X | 1 |
| 03-1-34 | 1104233 | BELT 383 | 23E1928X | 1 |
| 03-1-35 | 1056919 | SHEET CLAMP | 19E3450X | 2 |
| 03-1-43 | 2035830 | ALIGNER HARNESS ASSY | 162K5545X | 1 |
| 03-1-45 | 1057584 | REG. ROLLER ASSY-B10 | 22K6170X | 2 |
| 04-1-03 | 1104372 | PINCH ROLLER-ASSY | 22K6518X | 3 |
| 04-1-04 | 2028259 | EXIT CHUTE SWITCH | | 1 |
| 04-1-09 | 1063867 | 4 CHUTE ASSY | 54K1840X | 1 |
| 04-1-10 | 1056993 | CHUTE 2 | 54E1596X | 1 |
| 04-1-11 | 2068948 | DUP CONTROLLER PWB | 160K7621X | 1 |
| 04-1-16 | 1056875 | TURN CLUTCH | 121K2189X | 1 |
| 04-1-17 | 1056875 | TURN CLUTCH | 121K2189X | 1 |
| 04-1-18 | 1056875 | TURN CLUTCH | 121K2189X | 1 |
| 04-1-19 | 1056994 | LINK PINCH | 12E971X | 1 |
| 04-1-21 | 1056995 | INV2 ROLLER ASSY | 22K5750X | 1 |
| 04-1-22 | 1056996 | ROLLER ASSY PINCH | 22K5754X | 1 |
| 04-1-23 | 1056997 | INV ROLLER ASSY | 22K5751X | 1 |
| 04-1-26 | 2061110 | INV MOTOR | 127K3361X | 1 |
| 04-1-27 | 2069025 | INV CHUTE-ASSY | 54K2170X | 1 |
| 04-1-29 | 1104373 | PINCH ROLL ASSY | 22K6520X | 3 |
| 04-1-32 | 2028258 | TOP EXIT SENSOR | | 1 |
| 04-1-34 | 1056999 | TRI ROLL ASSY | 22K5752X | 1 |
| 04-1-40 | 1057000 | COVER SUPPORT L/H | 830E5672X | 1 |
| 04-1-41 | 1057585 | F COVER INVERTER | 802E1603X | 1 |
| 04-1-42 | 1057586 | R COVER INVERTER | 802E1602X | 1 |
| 04-1-43 | 1057001 | LINK SPRING PINCH | 809E2358X | 1 |
| 04-1-44 | 2035835 | HARNESS ASSY DUP | 162K5544X | 1 |
| 04-1-45 | 2035836 | DUP MAIN HARNESS ASSY | 162K5543X | 1 |
| 04-1-47 | 1104234 | INV SCREW | 26E7410X | 2 |
| END | | | | |

EPSON ACULASER C8600

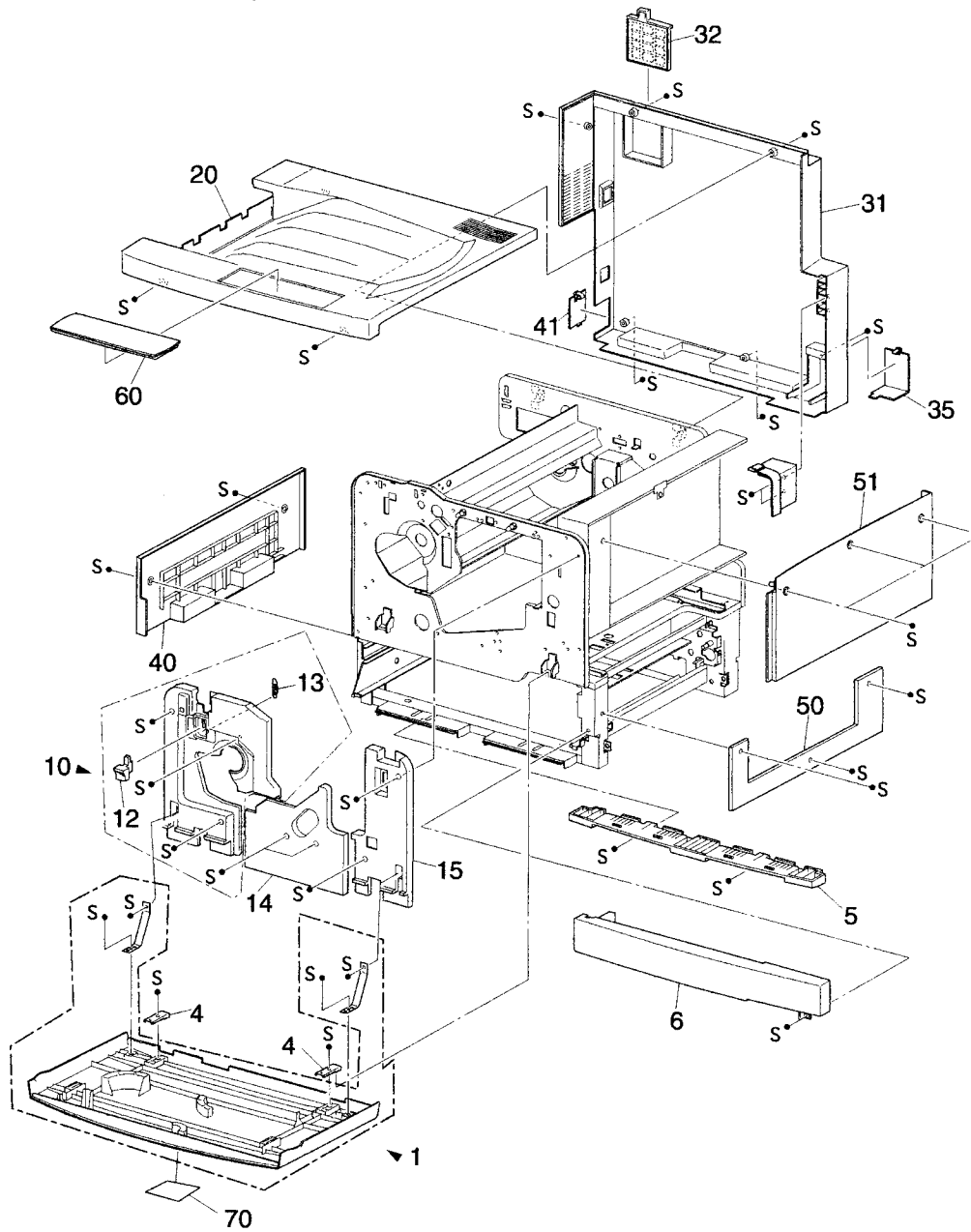
Page No.:6

| REF NO | PART NO | DESCRIPTION | SPEC | QTY |
|---------|---------|--|-----------|-----|
| | | C813891 LARGE CAPACITY PAPER CASSETTE | | |
| 01-1-03 | 1110071 | 500 TRAY ASSY | 50K4767X | 2 |
| 02-1-01 | 1057615 | FEEDER FRONT COVER | 802E1555X | 2 |
| 02-1-10 | 1057616 | FEEDER LEFT COVER | 802E1556X | 1 |
| 02-1-20 | 1057617 | FEEDER RIGHT COVER | 802E1557X | 1 |
| 02-1-21 | 2028259 | EXIT CHUTE SWITCH | | 2 |
| 02-1-22 | 2035801 | COVER SWITCH HARNESS | 162K5413X | 1 |
| 02-1-30 | 1057618 | FEEDER CHUTE ASSY | 54K1764X | 1 |
| 02-1-40 | 1056927 | DOUBLE CASTOR-F | 17K9235X | 4 |
| 02-1-41 | 1056928 | DOUBLE CASTOR-R | 17K9236X | 1 |
| 03-1-01 | 2061104 | FEEDER HIGH ASSY | 59K2161X | 2 |
| 03-1-03 | 2061105 | FEEDER MOTOR ASSY | 127K3362X | 1 |
| 03-1-04 | 2035804 | FEEDER DRIVE ASSY | 7K8542X | 1 |
| 03-1-08 | 2035805 | TRAY UP SENSOR HARNESS | 162K5411X | 1 |
| 03-1-09 | 2061106 | FEEDER PWB | 160K7620X | 1 |
| 03-1-13 | 2035807 | FEEDER HARNESS | 162K5409X | 1 |
| 03-1-14 | 2035808 | SIZE HARNESS | 162K5412X | 1 |
| 03-1-17 | 2030397 | TRAY 3 PAPER SIZE SNR PWB | | 2 |
| 03-1-22 | 1056931 | SHEET CLAMP | 14E3873X | 12 |
| 03-1-30 | 2021773 | E.R.M. SENSOR | | 1 |
| 03-1-31 | 2021773 | E.R.M. SENSOR | | 1 |
| 03-2-11 | 1056969 | RETARD ROLL ASSY | 59K884X | 1 |
| 03-2-21 | 2069028 | UPPER FRAME ASSY | 801K170X | 1 |
| 03-2-25 | 1056973 | NUDGER ROLL ASSY | 59K1430X | 1 |
| 03-2-29 | 1056875 | TURN CLUTCH | 121K2189X | 1 |
| 03-2-32 | 1056974 | NUDGER LEVER | 11E9494X | 1 |
| 03-2-33 | 2035817 | NUDGER SENSOR | 107E868X | 1 |
| 03-2-35 | 1056975 | FEED ROLLER ASSY | 59K1725X | 1 |
| 03-2-36 | 2028232 | SENSOR | | 1 |
| 03-2-45 | 2035818 | NO PAPER SENSOR | 130E8160X | 1 |
| 03-2-50 | 1056976 | TA ROLL ASSY | 59K1434X | 1 |
| 03-2-51 | 2035821 | NUD SOLENOID ASSY | 121K2156X | 1 |
| 03-2-56 | 2035822 | TURN CLUTCH ASSY | 121K2103X | 1 |
| 04-1-03 | 1092477 | SIDE GUIDE LOCK KNOB | 3E5713X | 1 |
| 04-1-06 | 1104229 | GEAR 55 | 7E5875X | 1 |
| 04-1-07 | 1104230 | GEAR 16/49 | 7E5876X | 1 |
| 04-1-08 | 1104231 | GEAR 16/32 | 7E5877X | 1 |
| 04-1-09 | 1045191 | END GUIDE SPRING | | 1 |
| 04-1-10 | 1092478 | LEVER ASSY | 11K9700X | 1 |
| 04-1-21 | 1092479 | END GUIDE | 38E2495X | 1 |
| 04-1-24 | 1057622 | FRONT TRAY COVER | 802E1554X | 1 |
| 04-1-25 | 1042109 | REAR GUIDE SPRING | | 1 |
| END | | | | |
| | | | | |
| | | | | |
| | | | | |

EPSON ACULASER C8600

Page No.:7

The parts to which no reference number is assigned will not be available as after-sale service parts.

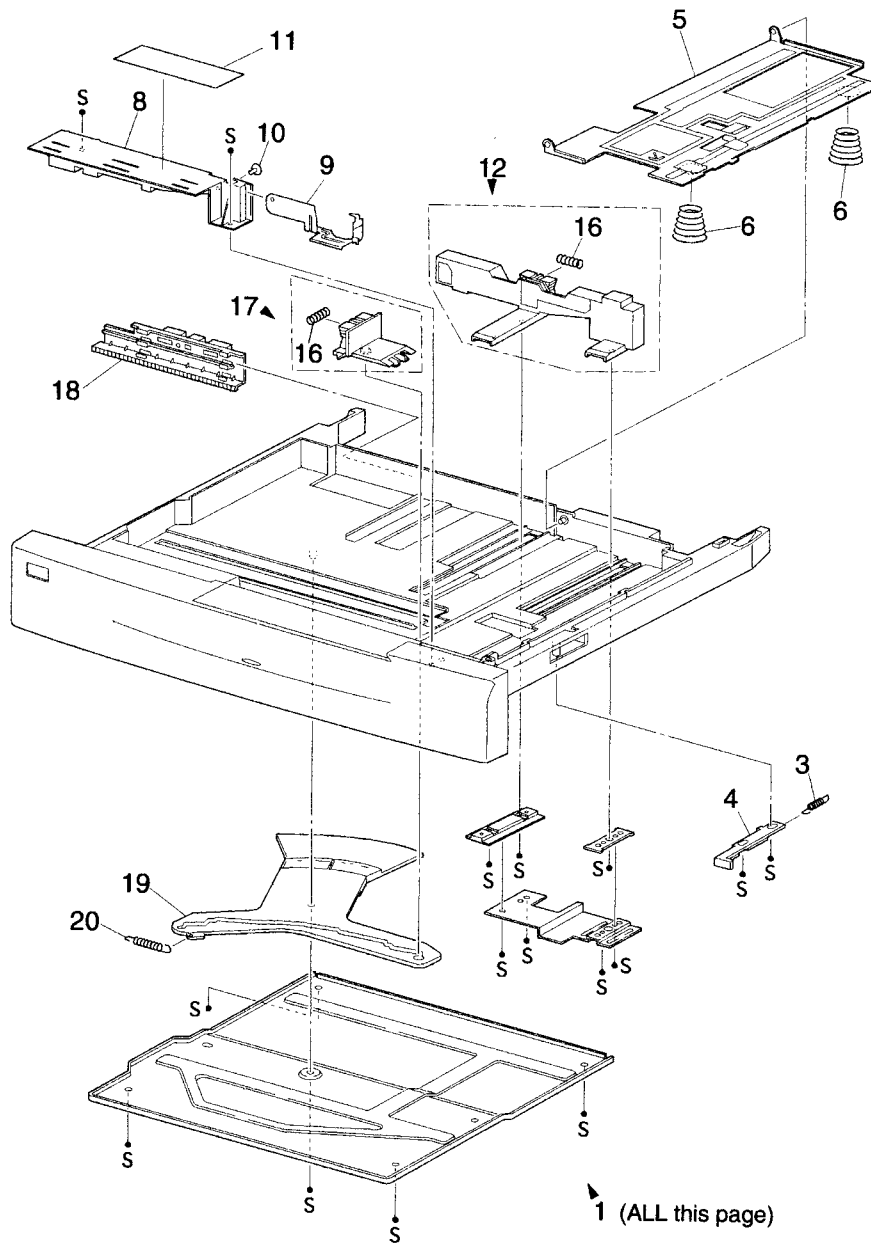


EPSON AcuLaserC8600 (1.1)

EPSON ACULASER C8600

Page No.:8

The parts to which no reference number is assigned will not be available as after-sale service parts.

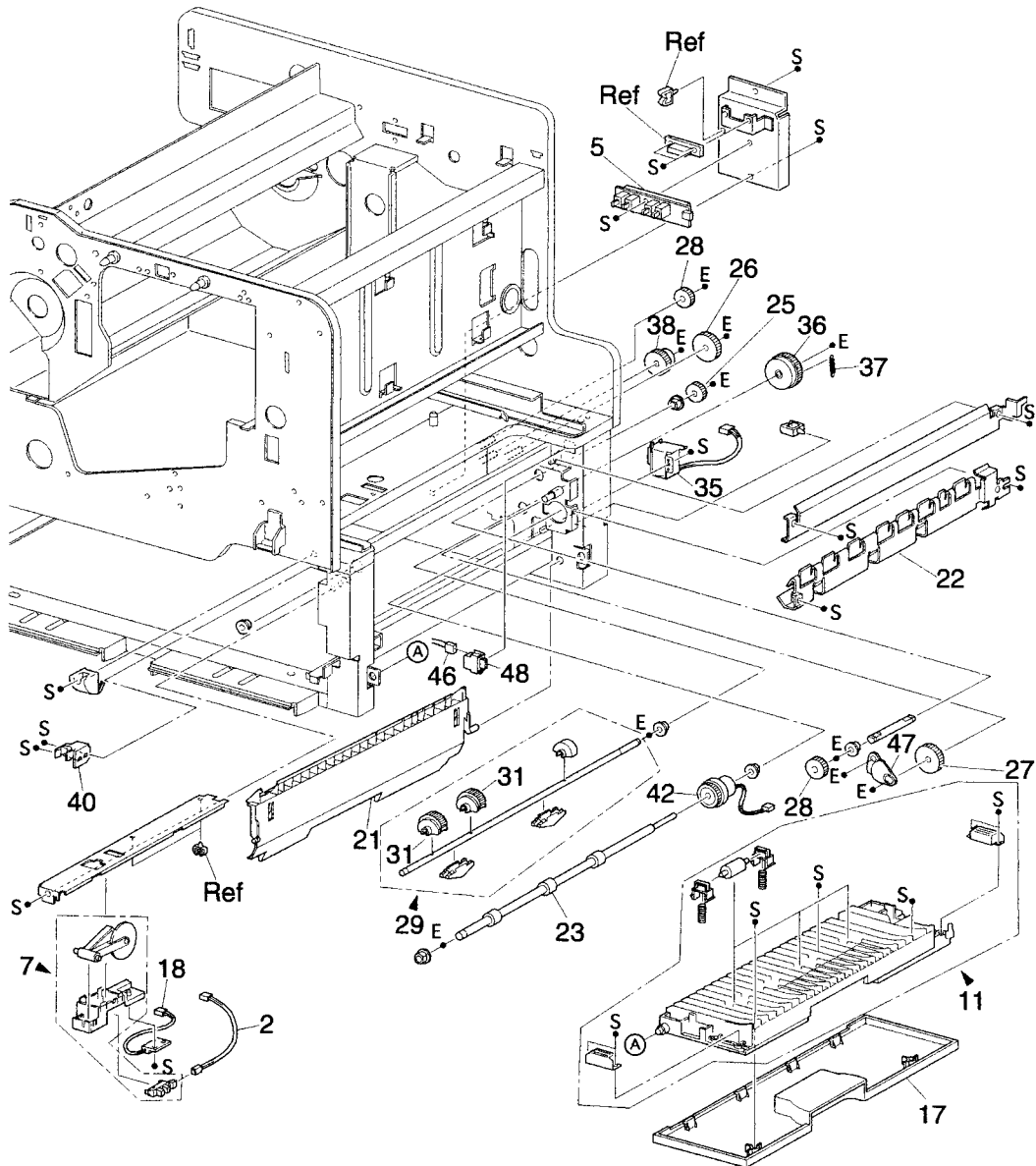


EPSON

ACULASER C8600

Page No.:9

The parts to which no reference number is assigned will not be available as after-sale service parts.



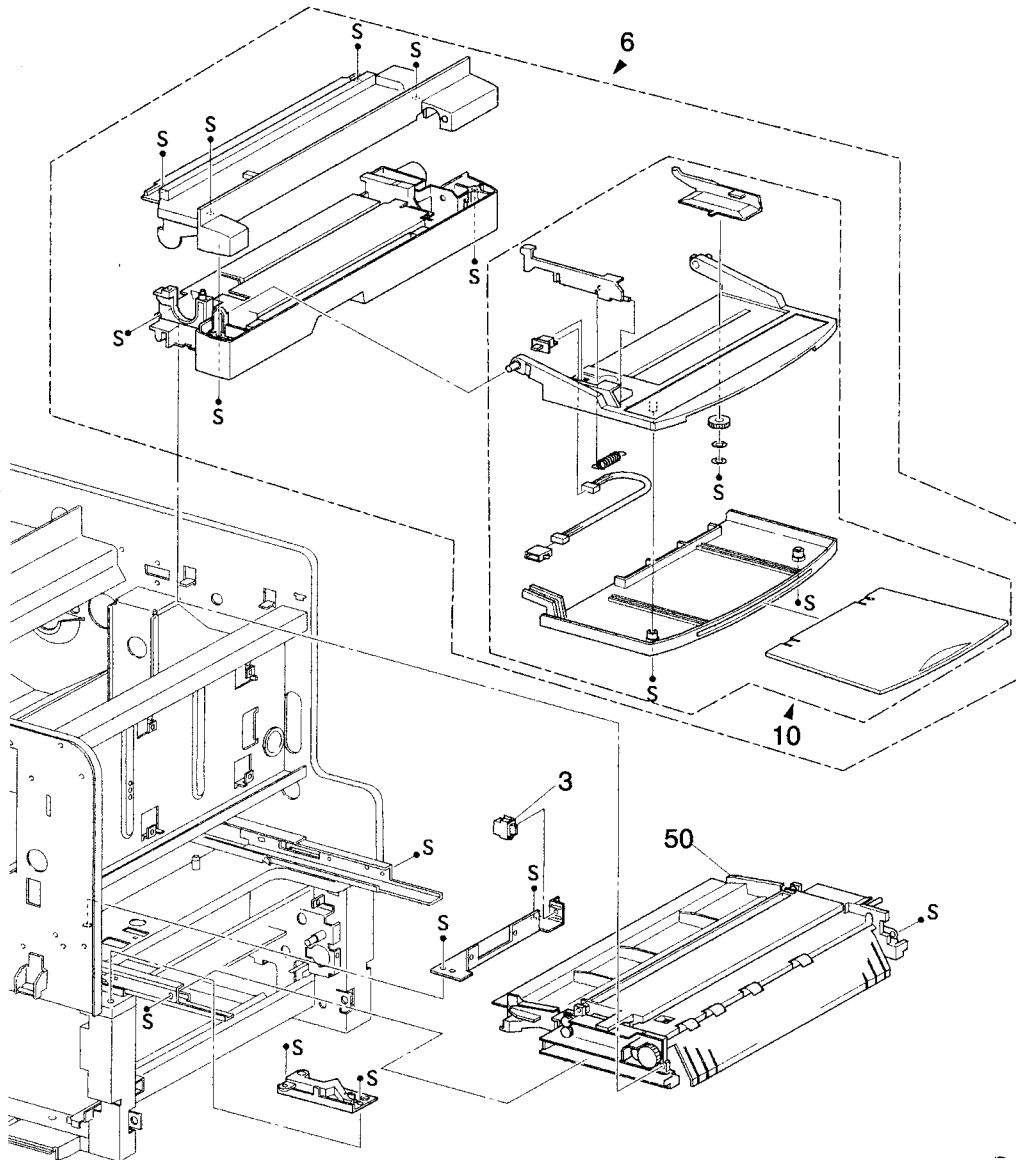
AcuLaserC8600(3.1)

EPSON

ACULASER C8600

Page No.:10

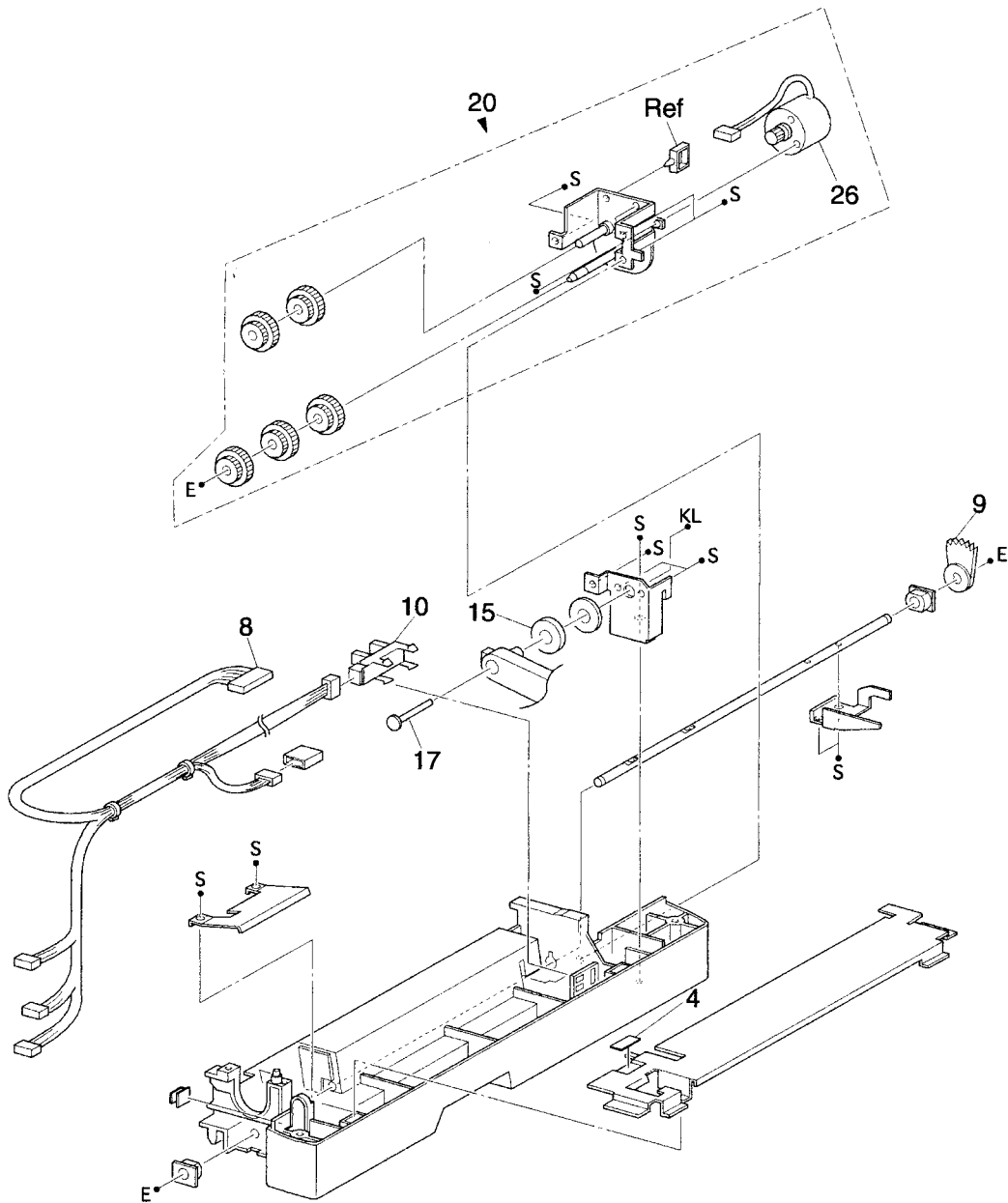
The parts to which no reference number is assigned will not be available as after-sale service parts.



EPSON ACULASER C8600

Page No.:11

The parts to which no reference number is assigned will not be available as after-sale service parts.

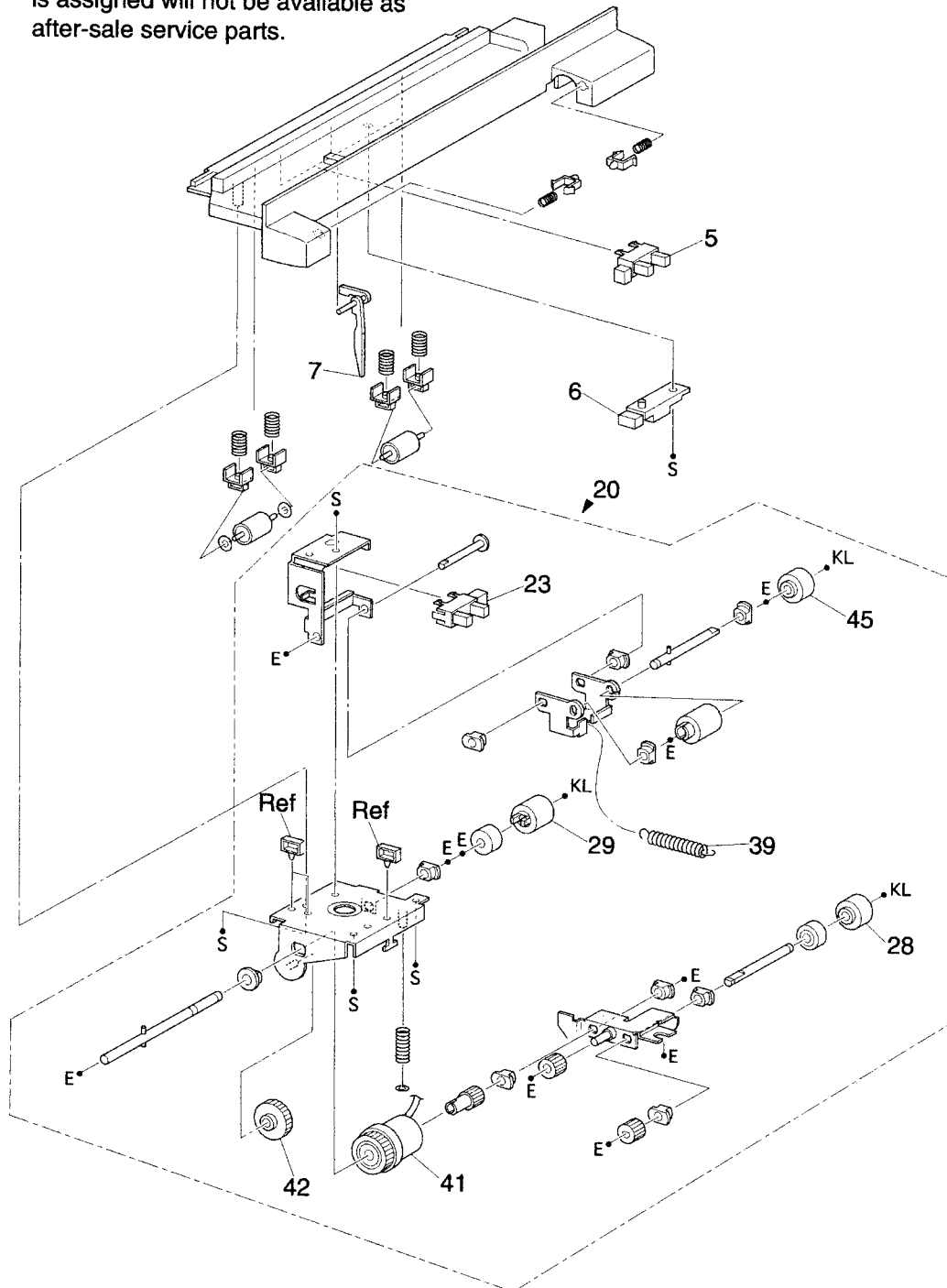


AcuLaserC8600(4.2)

EPSON ACULASER C8600

Page No.:12

The parts to which no reference number is assigned will not be available as after-sale service parts.



AcuLaserC8600(4.3)

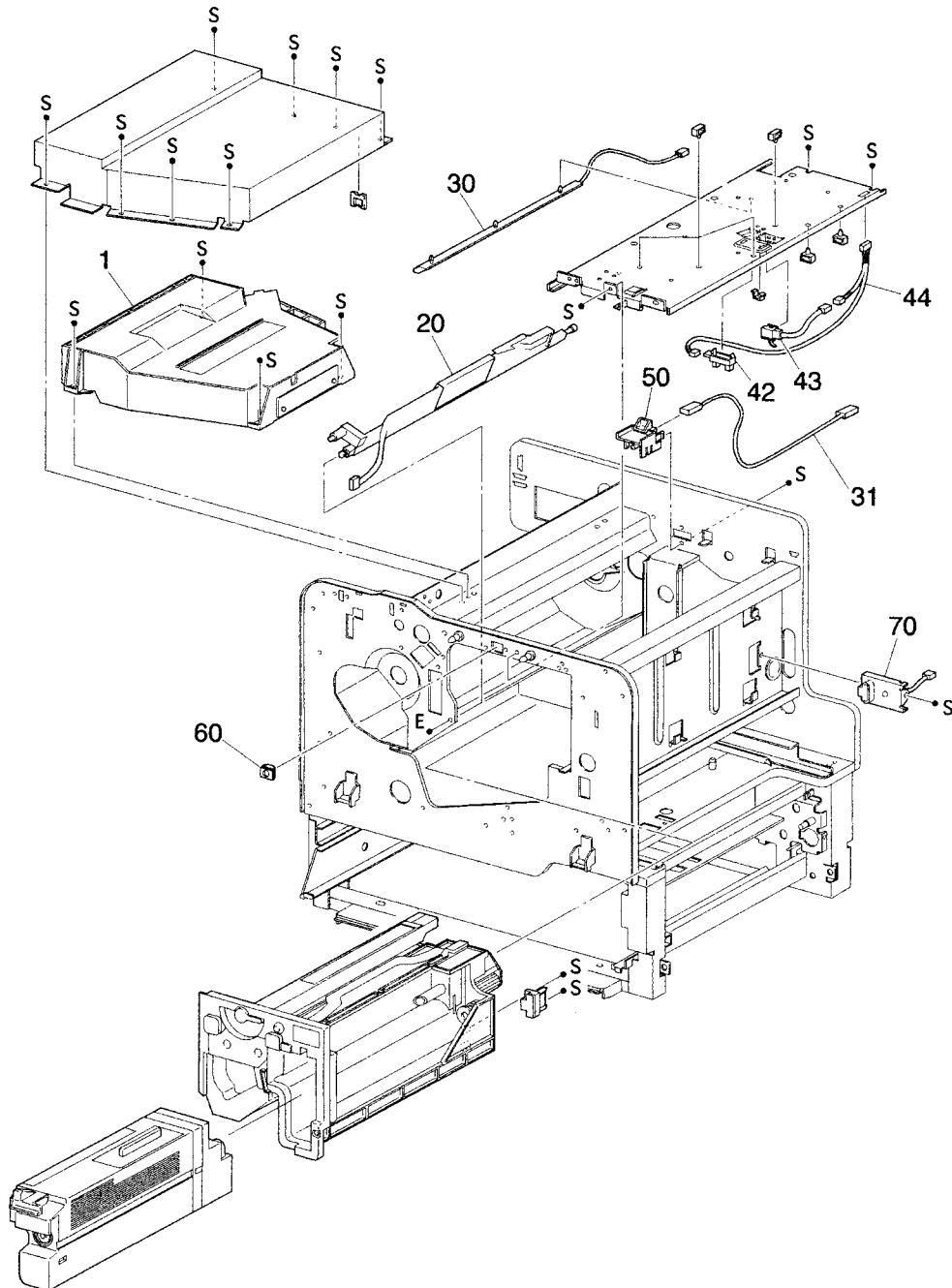
FIG. 5 NOT USED

EPSON

ACULASER C8600

Page No.:14

The parts to which no reference number is assigned will not be available as after-sale service parts.



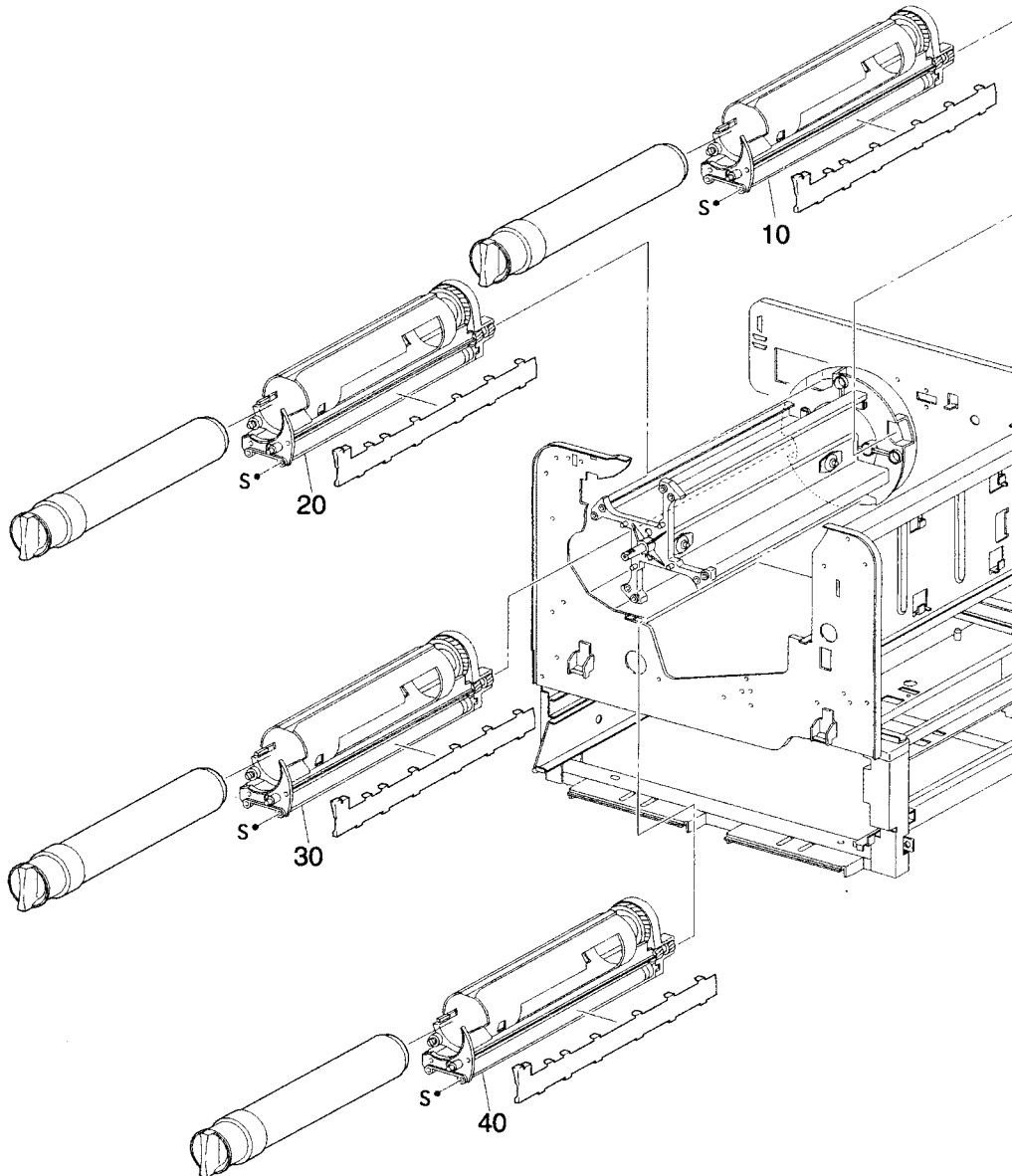
AcuLaserC8600(6.1)

EPSON

ACULASER C8600

Page No.:15

The parts to which no reference number is assigned will not be available as after-sale service parts.



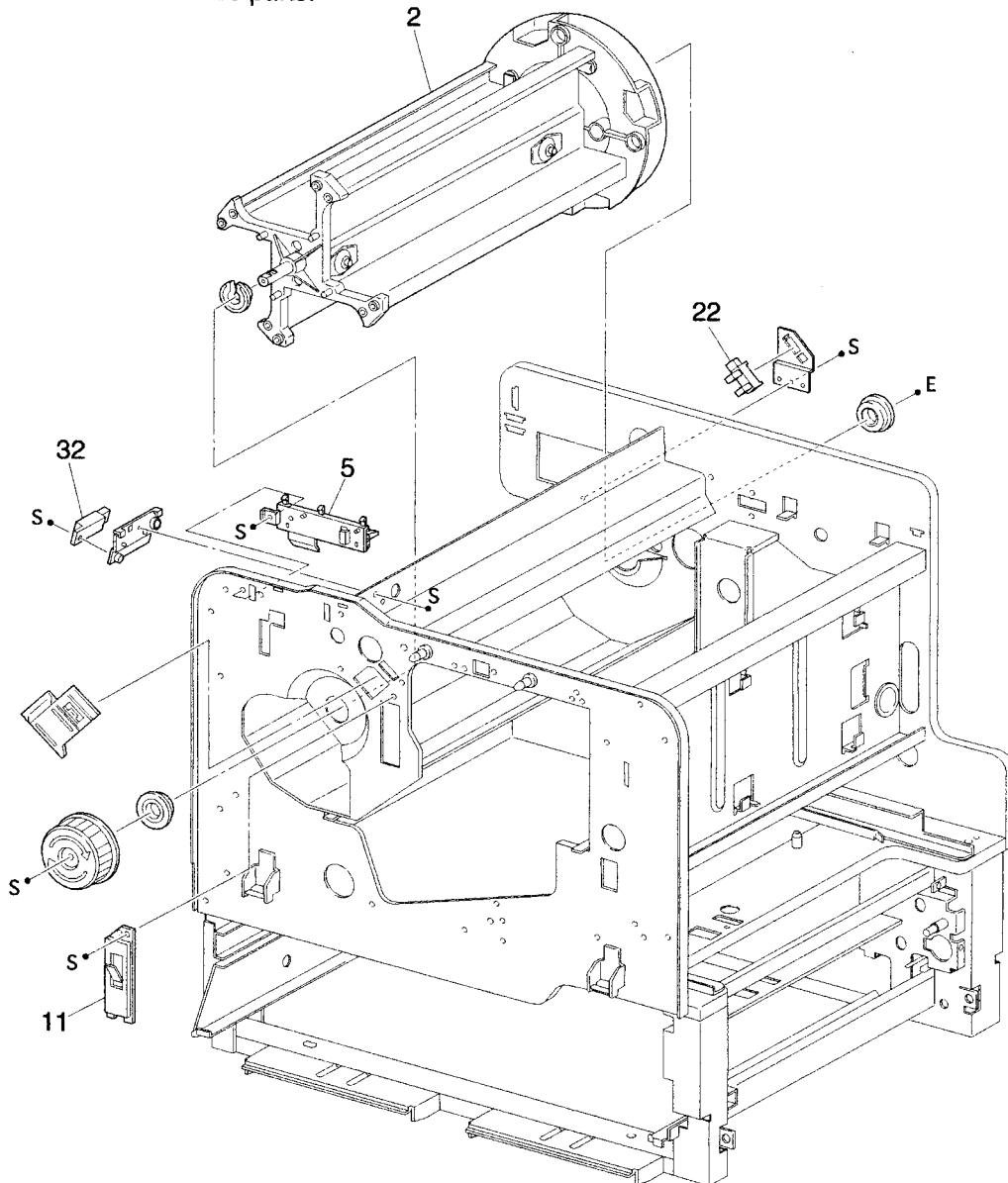
AcuLaserC8600(7.1)

EPSON

ACULASER C8600

Page No.:16

The parts to which no reference number is assigned will not be available as after-sale service parts.

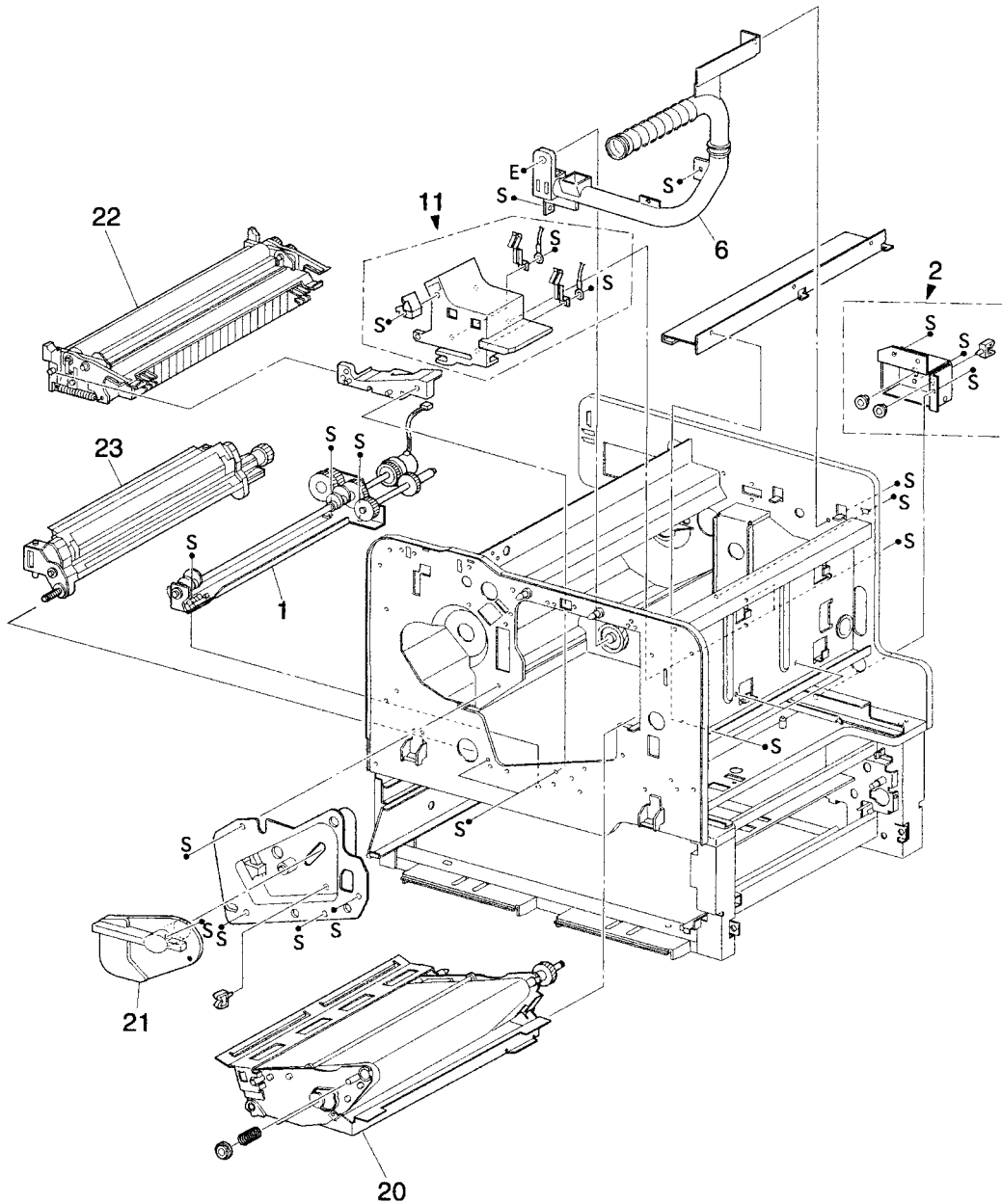


AcuLaserC8600(7.2)

EPSON ACULASER C8600

Page No.:17

The parts to which no reference number is assigned will not be available as after-sale service parts.



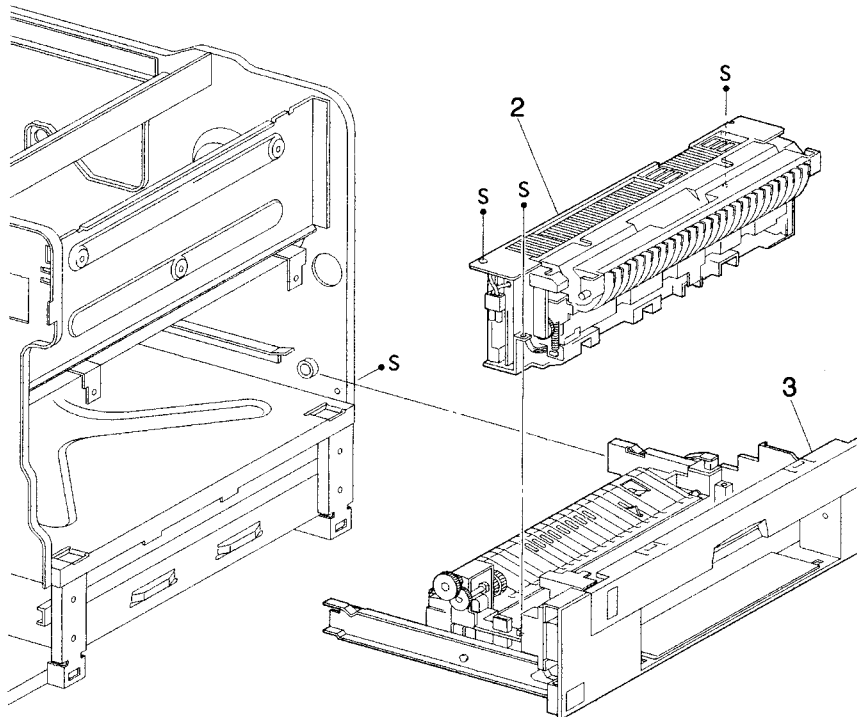
AcuLaserC8600(8.1)

EPSON

ACULASER C8600

Page No.:19

The parts to which no reference number is assigned will not be available as after-sale service parts.



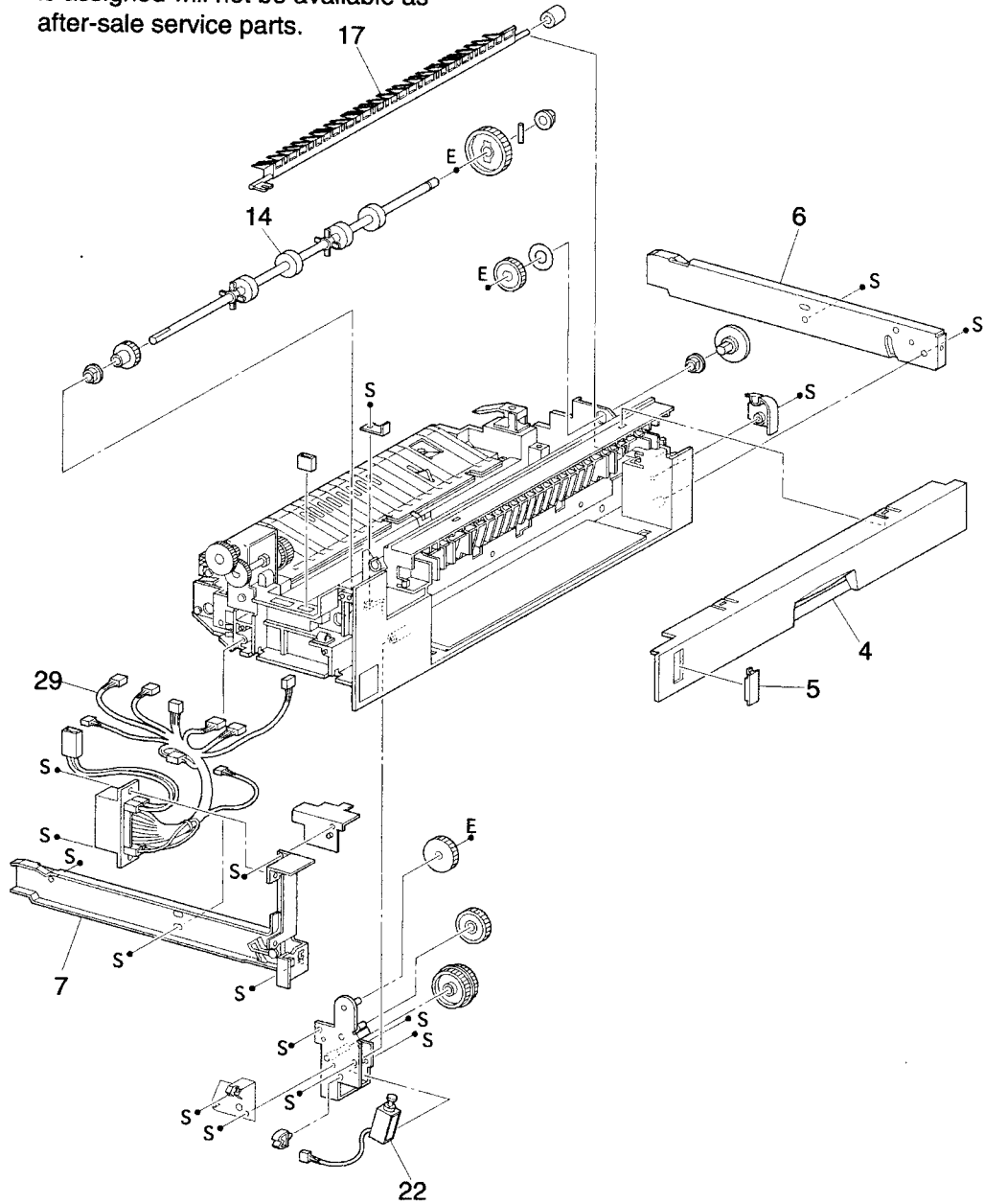
AcuLaserC8600(9.1)

FIG. 9.2 NOT USED

EPSON ACULASER C8600

Page No.:21

The parts to which no reference number is assigned will not be available as after-sale service parts.

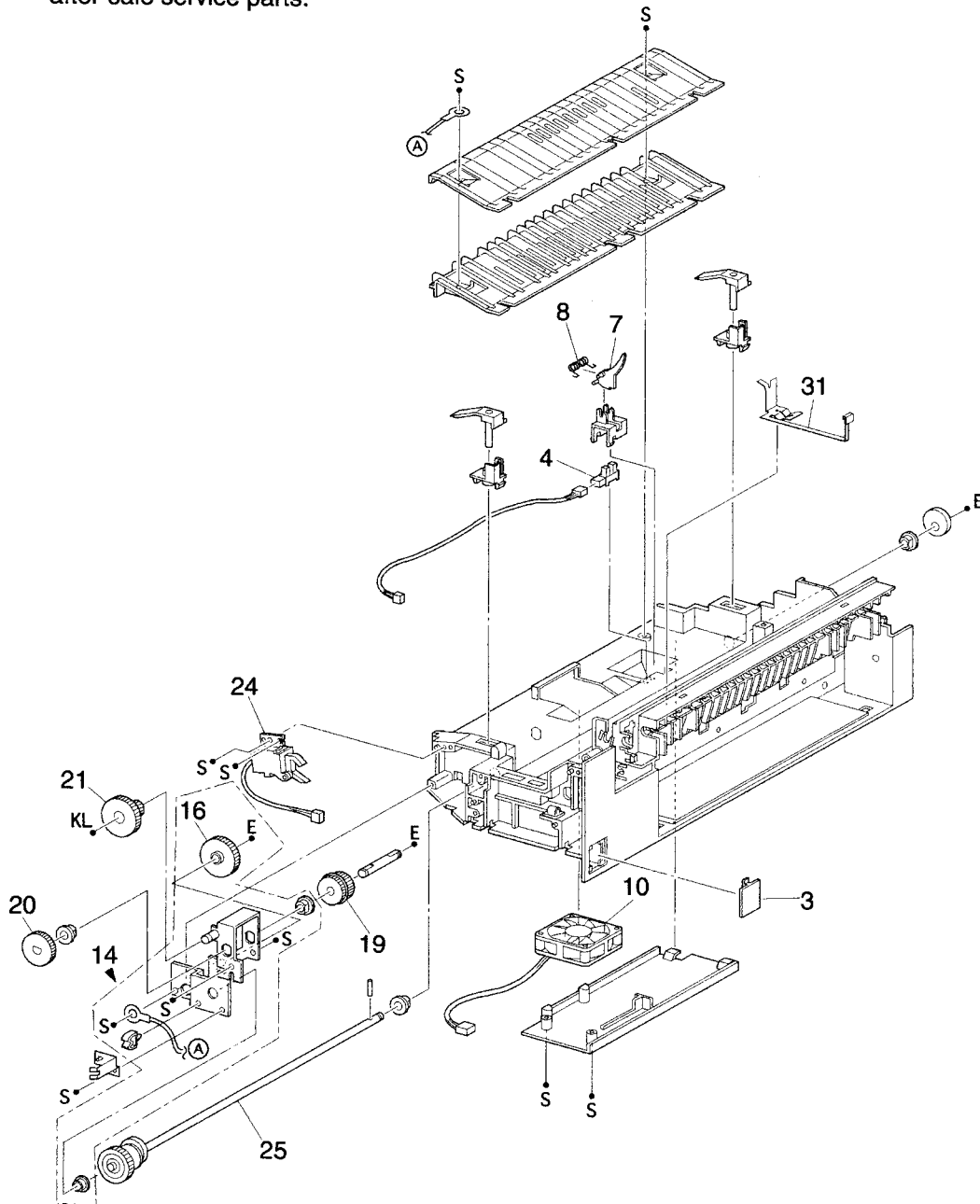


AcuLaserC8600(9.3)

EPSON ACULASER C8600

Page No.:22

The parts to which no reference number is assigned will not be available as after-sale service parts.



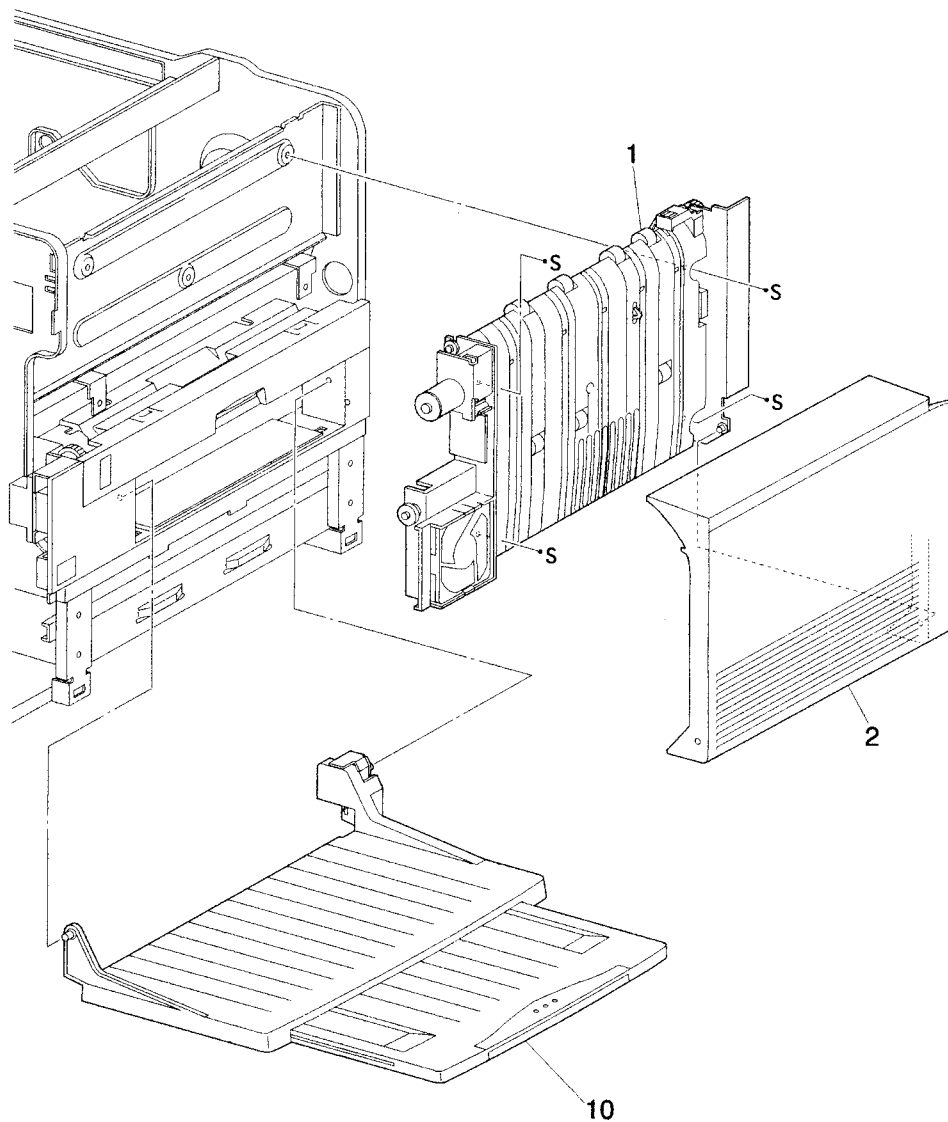
AcuLaserC8600(9.4)

EPSON

ACULASER C8600

Page No.:23

The parts to which no reference number is assigned will not be available as after-sale service parts.

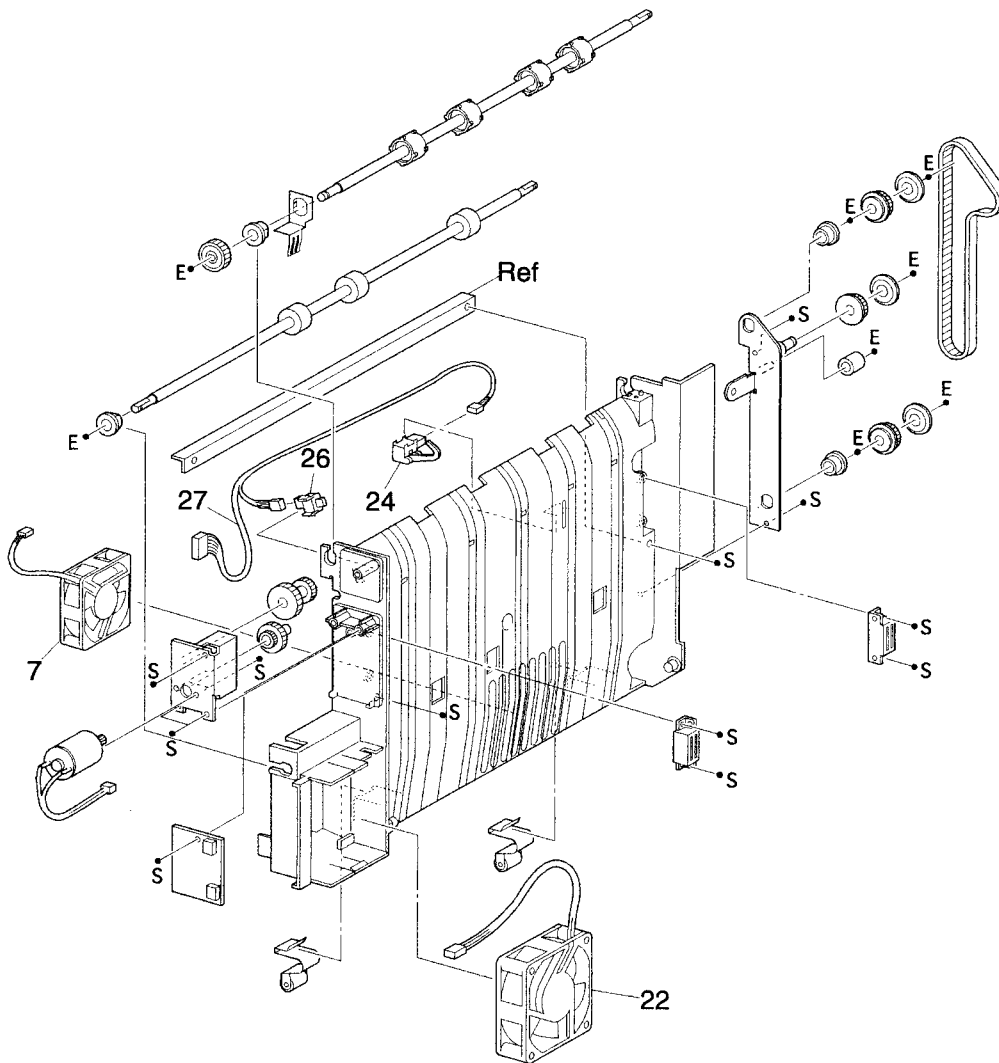


AcuLaserC8600(10.1)

EPSON ACULASER C8600

Page No.:24

The parts to which no reference number is assigned will not be available as after-sale service parts.

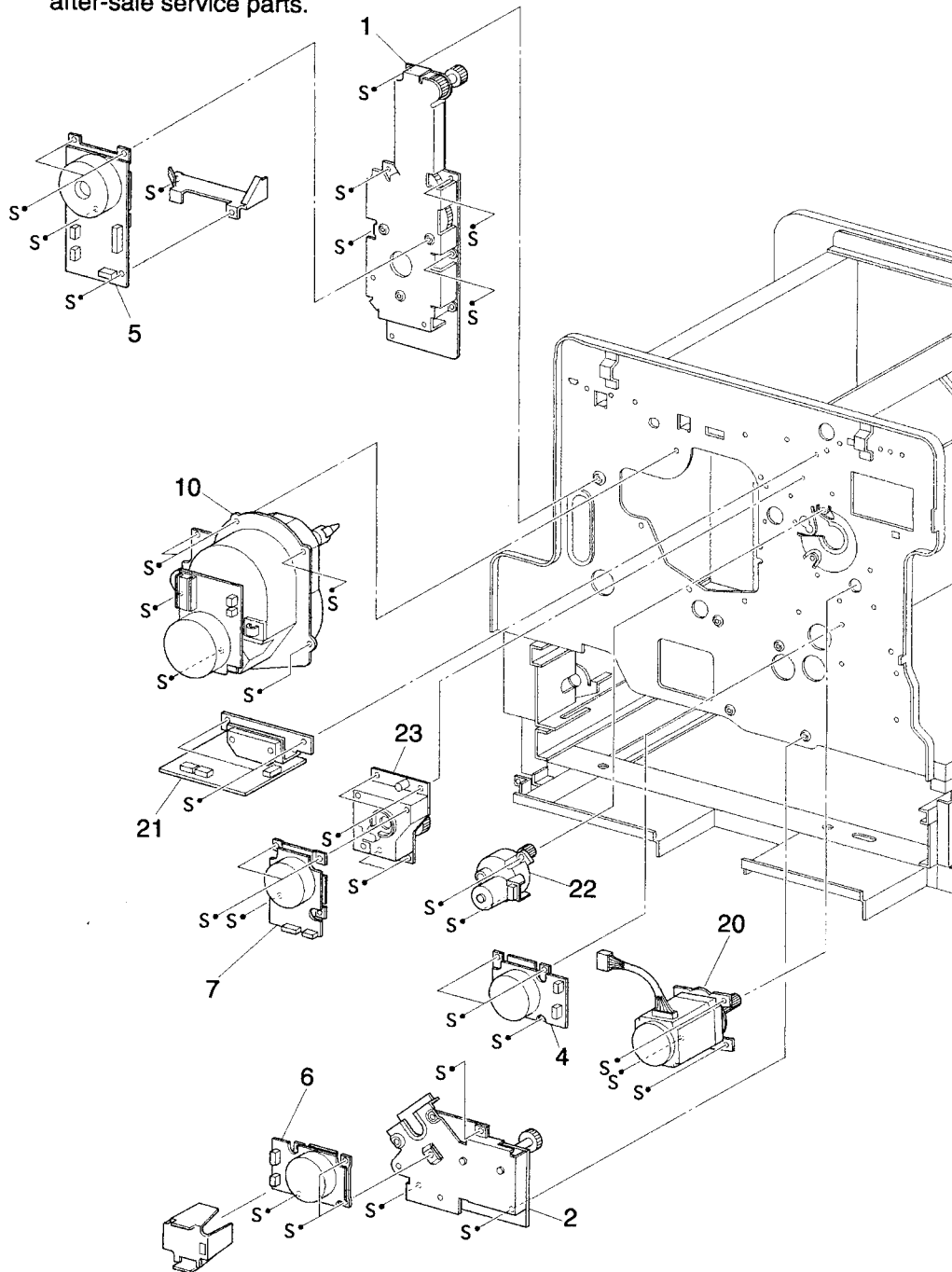


AcuLaserC8600(10.2)

EPSON ACULASER C8600

Page No.:25

The parts to which no reference number is assigned will not be available as after-sale service parts.



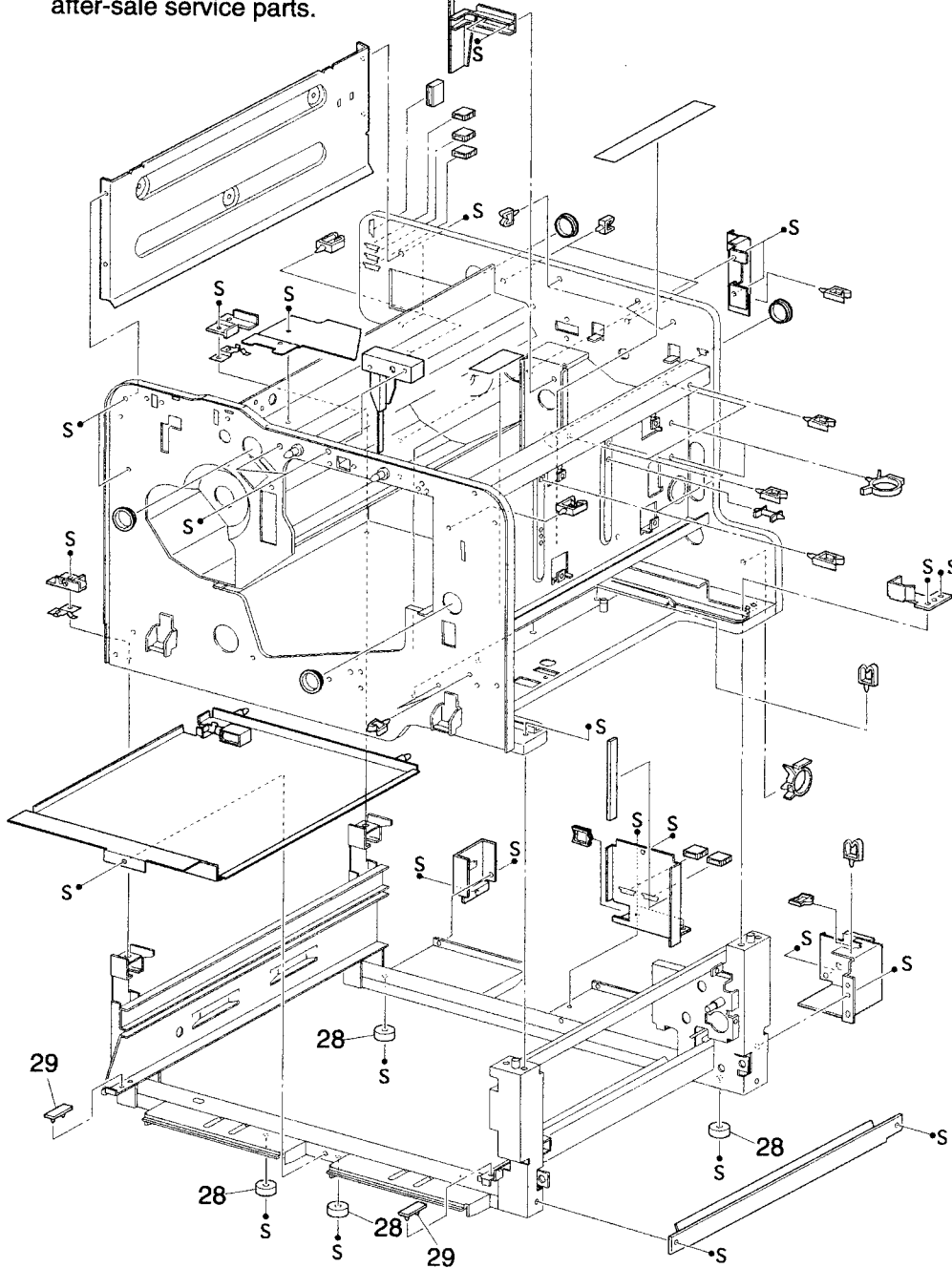
AcuLaserC8600(11.1)

EPSON

ACULASER C8600

Page No.:26

The parts to which no reference number is assigned will not be available as after-sale service parts.

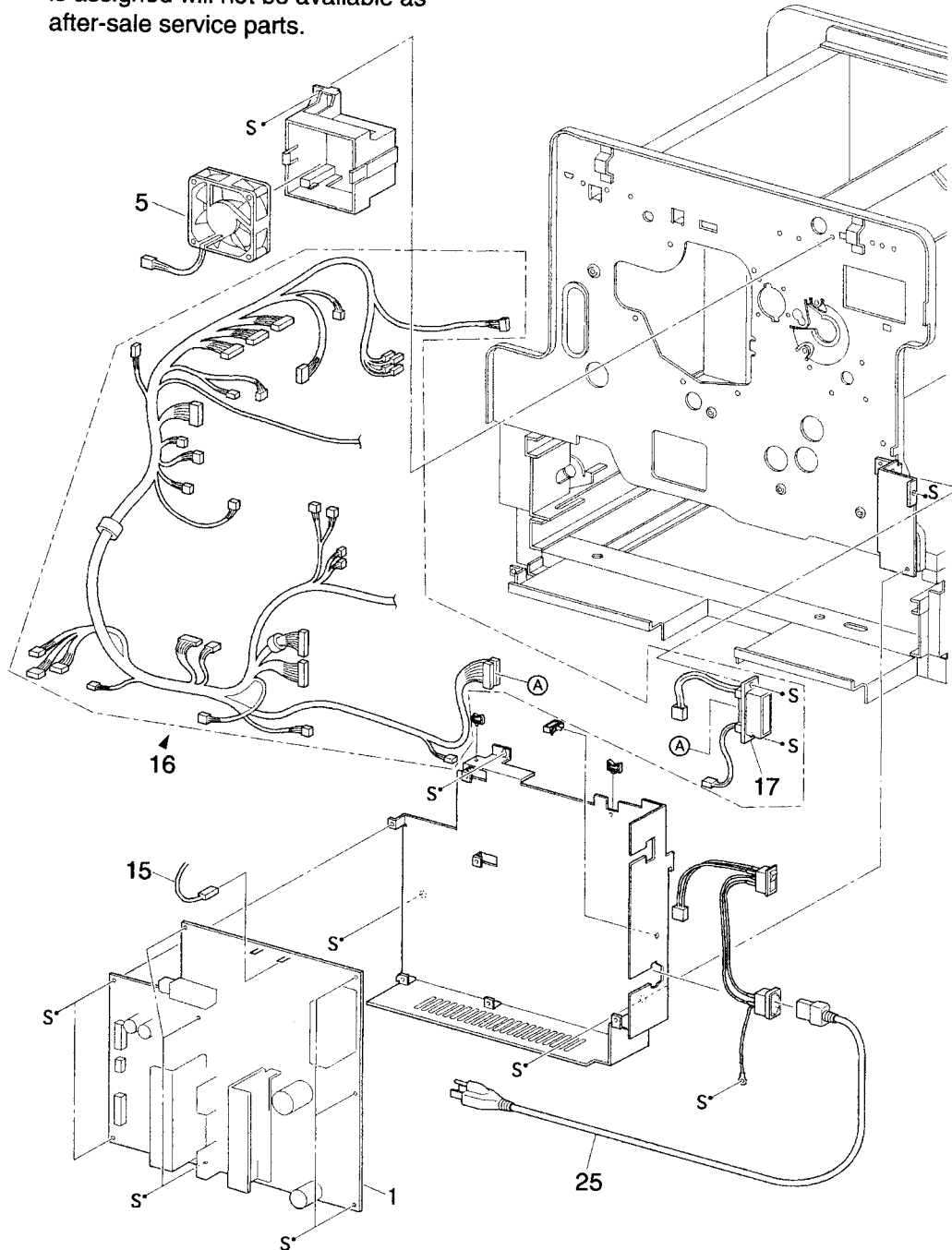


AcuLaserC8600(12.1)

EPSON ACULASER C8600

Page No.:27

The parts to which no reference number is assigned will not be available as after-sale service parts.



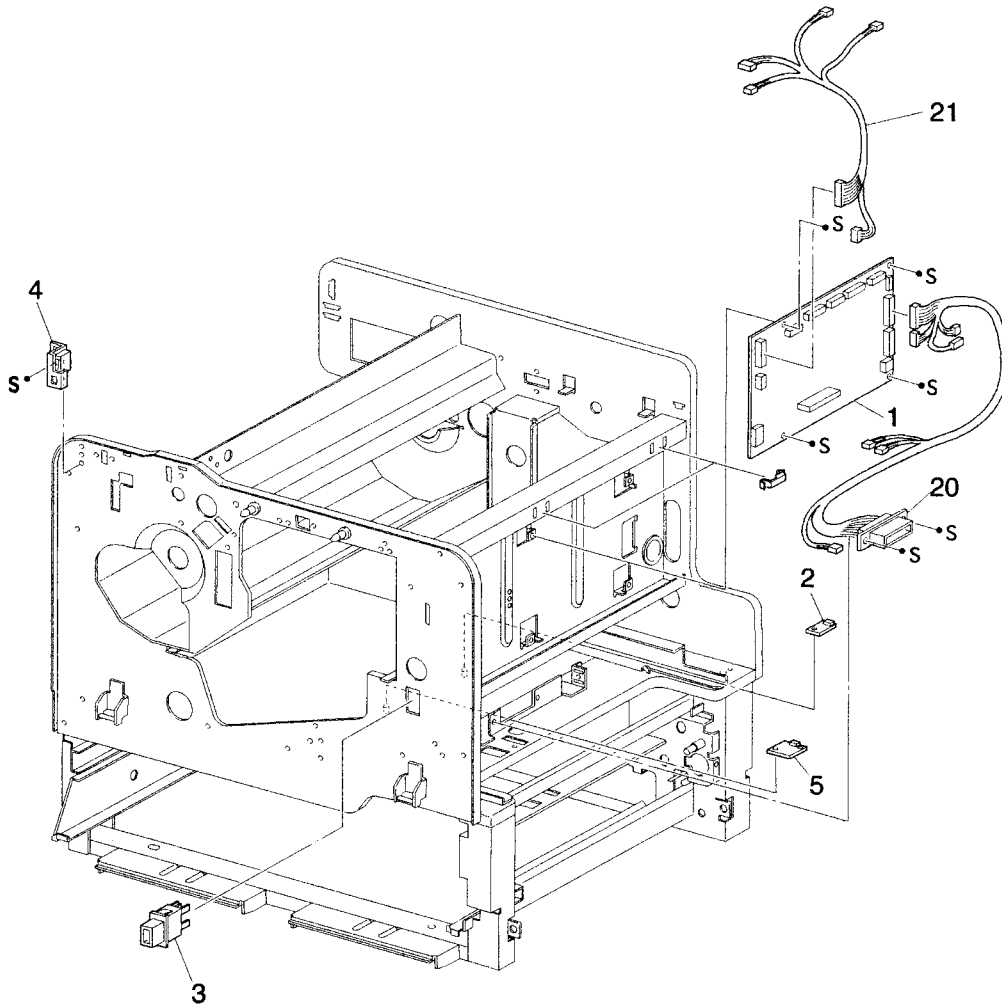
AcuLaserC8600(13.1)

EPSON

ACULASER C8600

Page No.:28

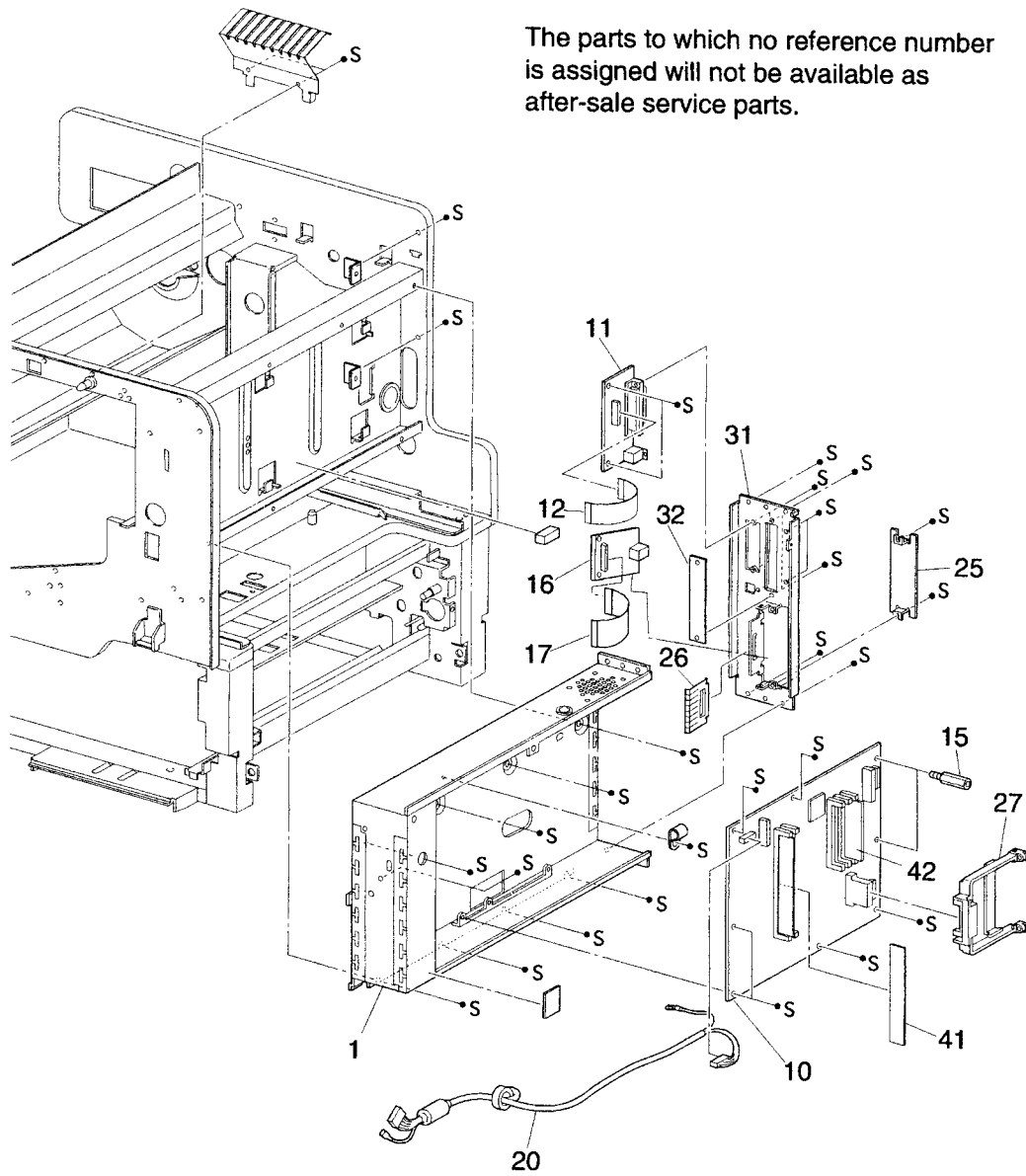
The parts to which no reference number is assigned will not be available as after-sale service parts.



AcuLaserC8600(13.2)

EPSON ACULASER C8600

Page No.:29



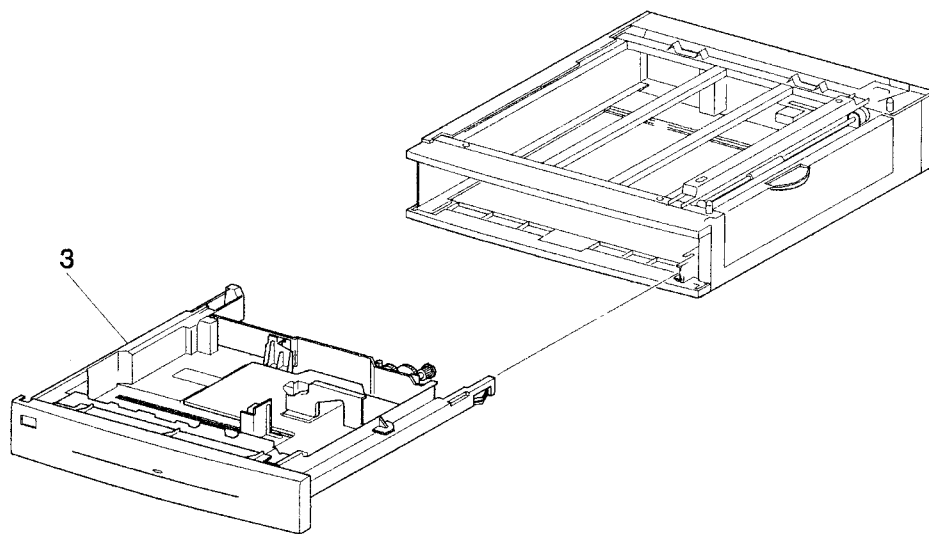
AcuLaserC8600(14.1)

EPSON

ACULASER C8600

Page No.:30

The parts to which no reference number is assigned will not be available as after-sale service parts.

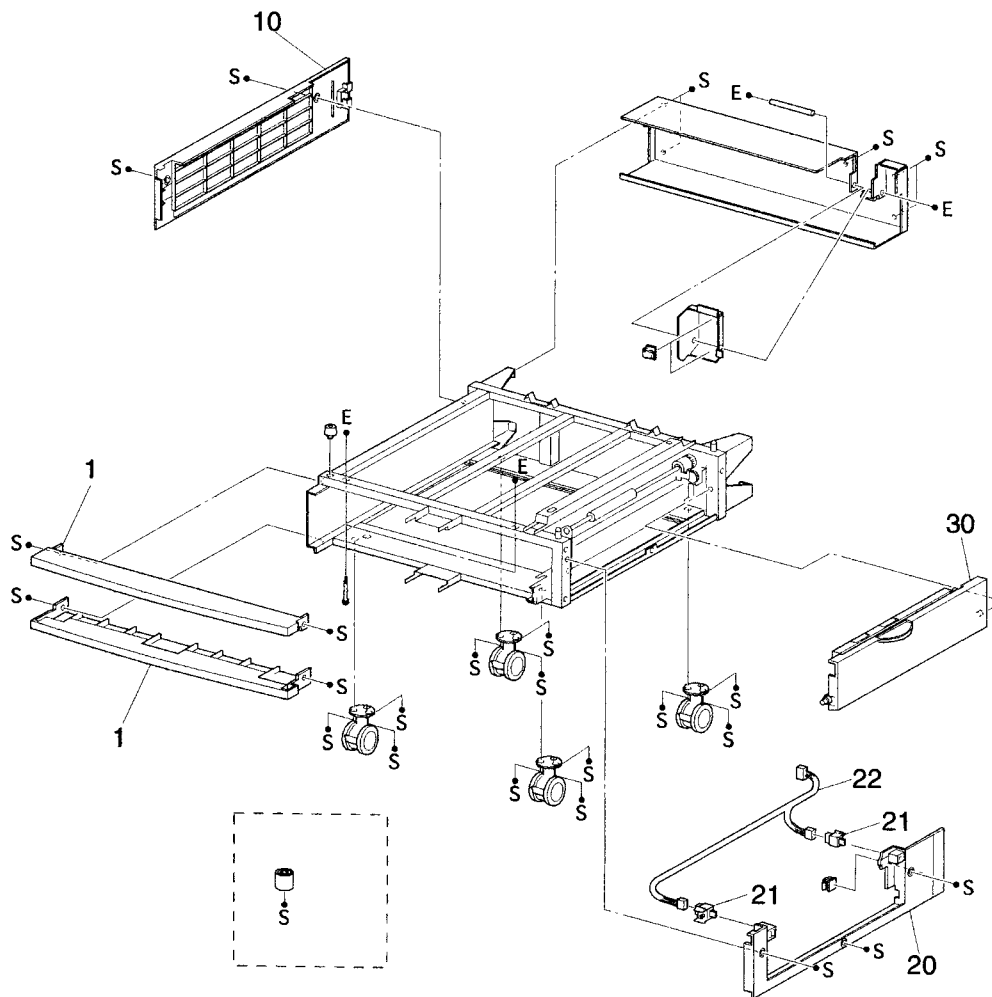


500-Sheet PAPER CASSETTE UNIT (1.1)

EPSON ACULASER C8600

Page No.:31

The parts to which no reference number is assigned will not be available as after-sale service parts.



TBF1502EB

500-Sheet PAPER CASSETTE UNIT (2.1)

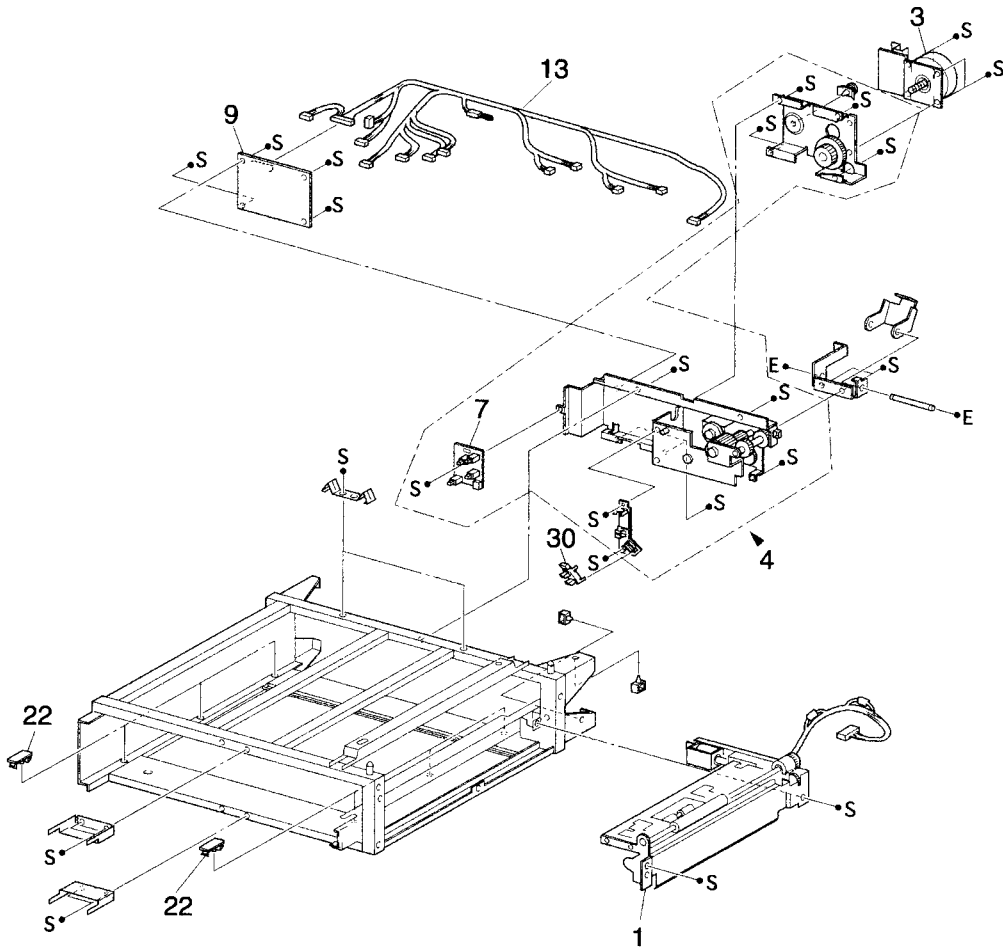
Rev.01 C457

EPSON

ACULASER C8600

Page No.:32

The parts to which no reference number is assigned will not be available as after-sale service parts.

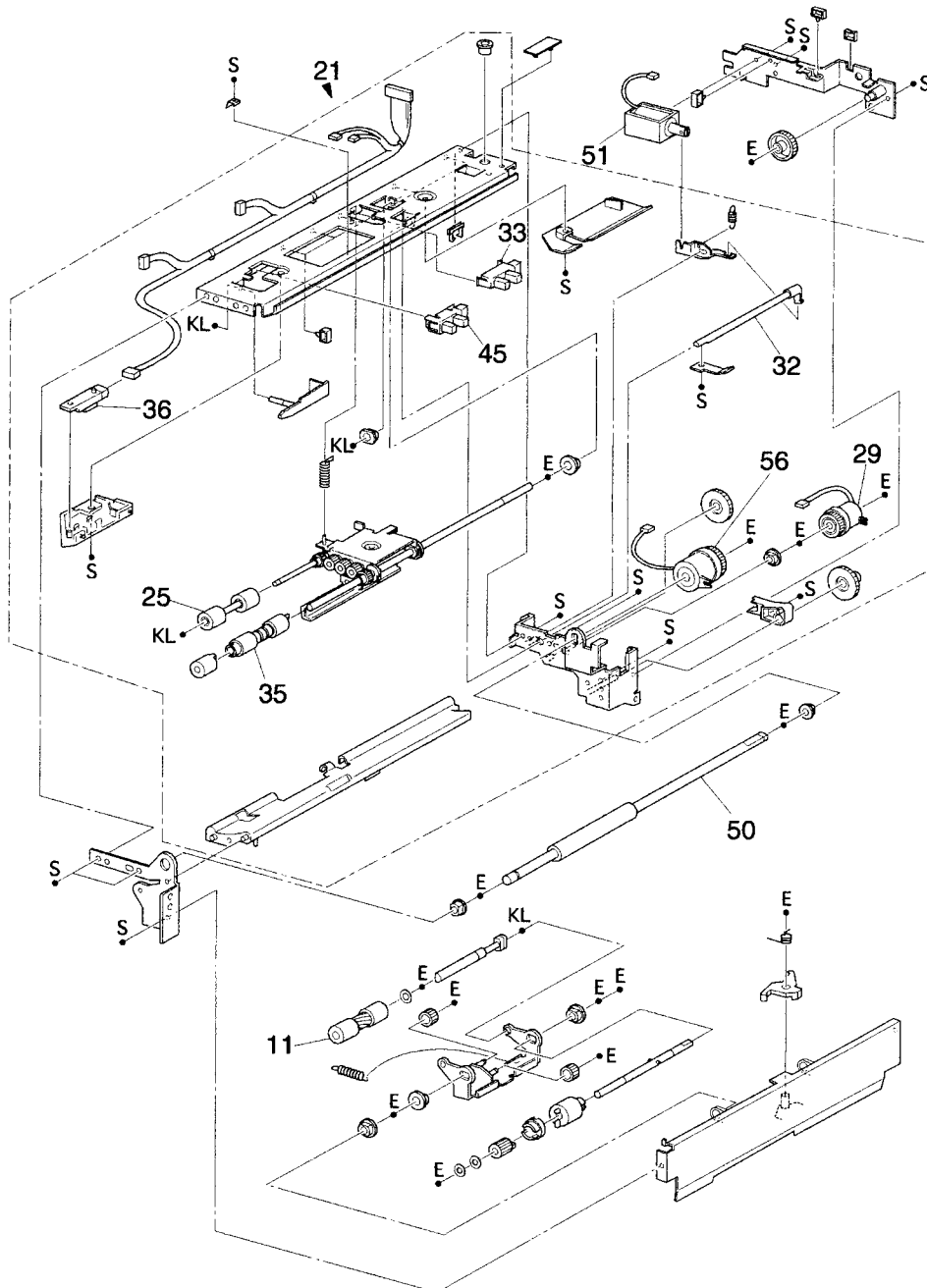


500-Sheet PAPER CASSETTE UNIT (3.1)

EPSON ACULASER C8600

Page No.:33

The parts to which no reference number is assigned will not be available as after-sale service parts.



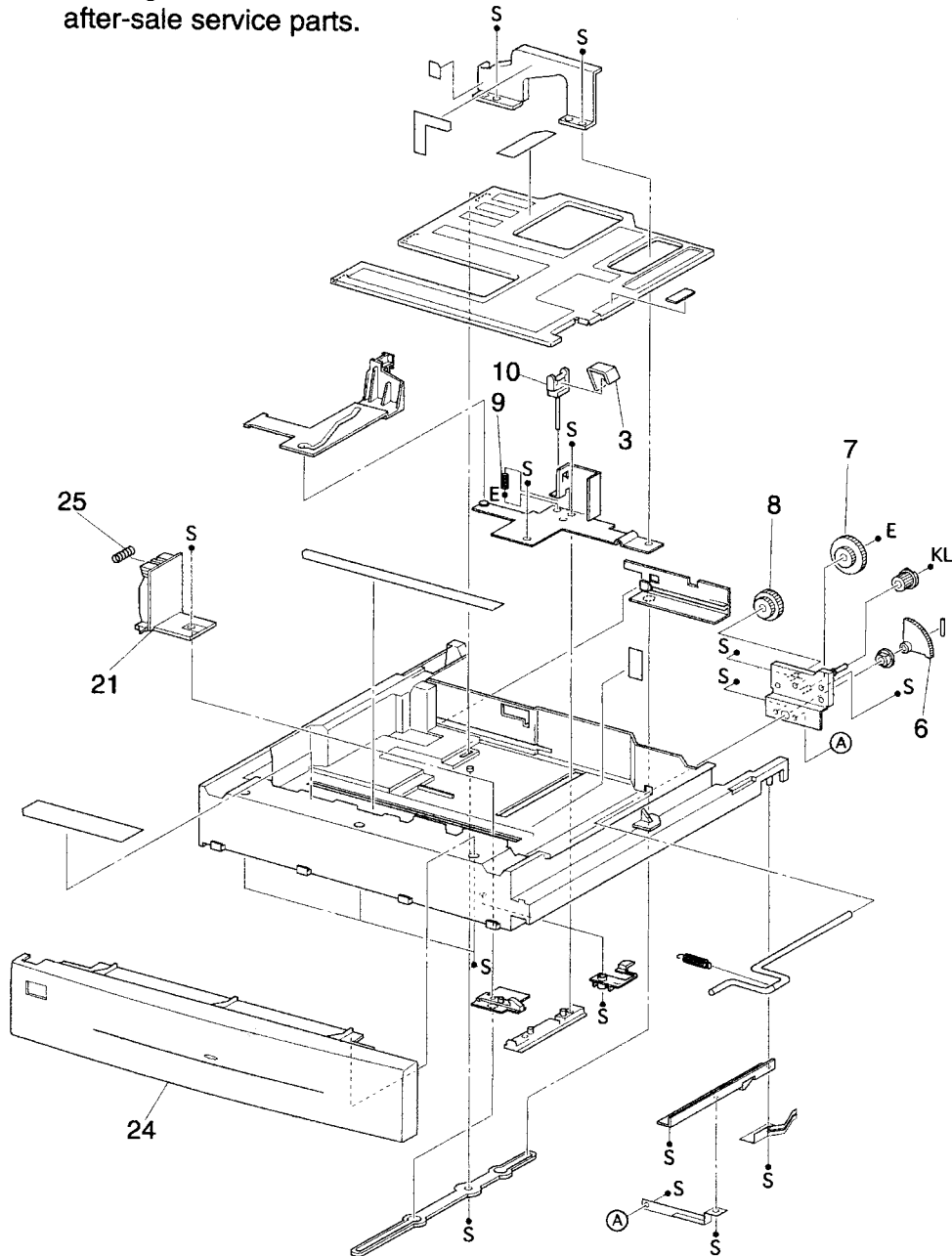
500-Sheet PAPER CASSETTE UNIT (3.2)

EPSON

ACULASER C8600

Page No.:34

The parts to which no reference number is assigned will not be available as after-sale service parts.



500-Sheet PAPER CASSETTE UNIT (4.1)

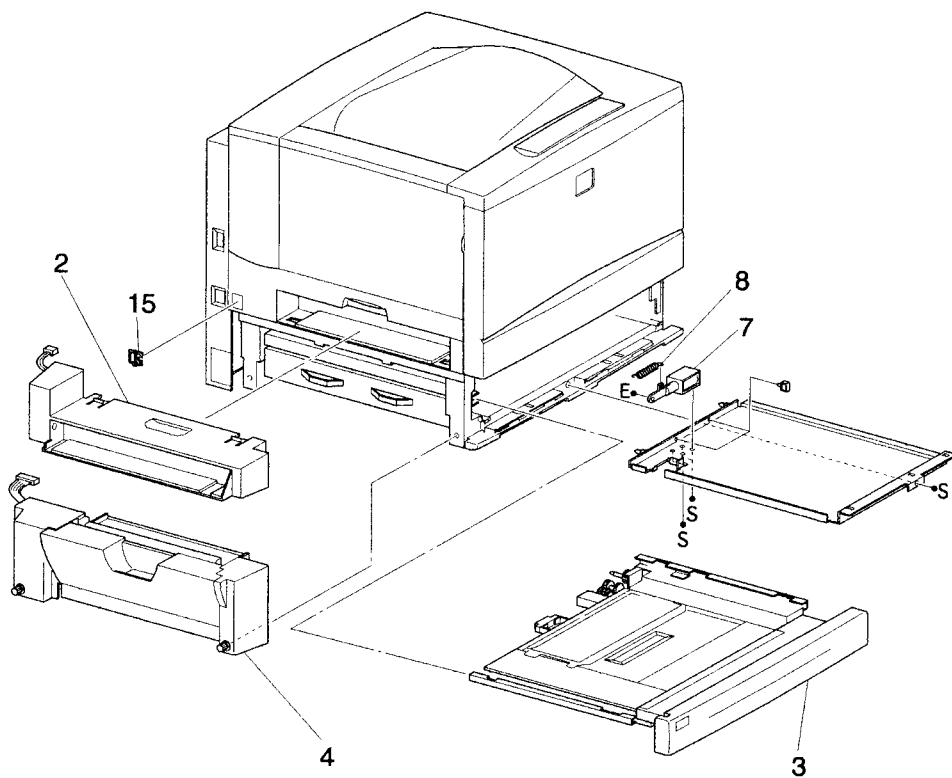
Rev.01 C457

EPSON

ACULASER C8600

Page No.:35

The parts to which no reference number is assigned will not be available as after-sale service parts.

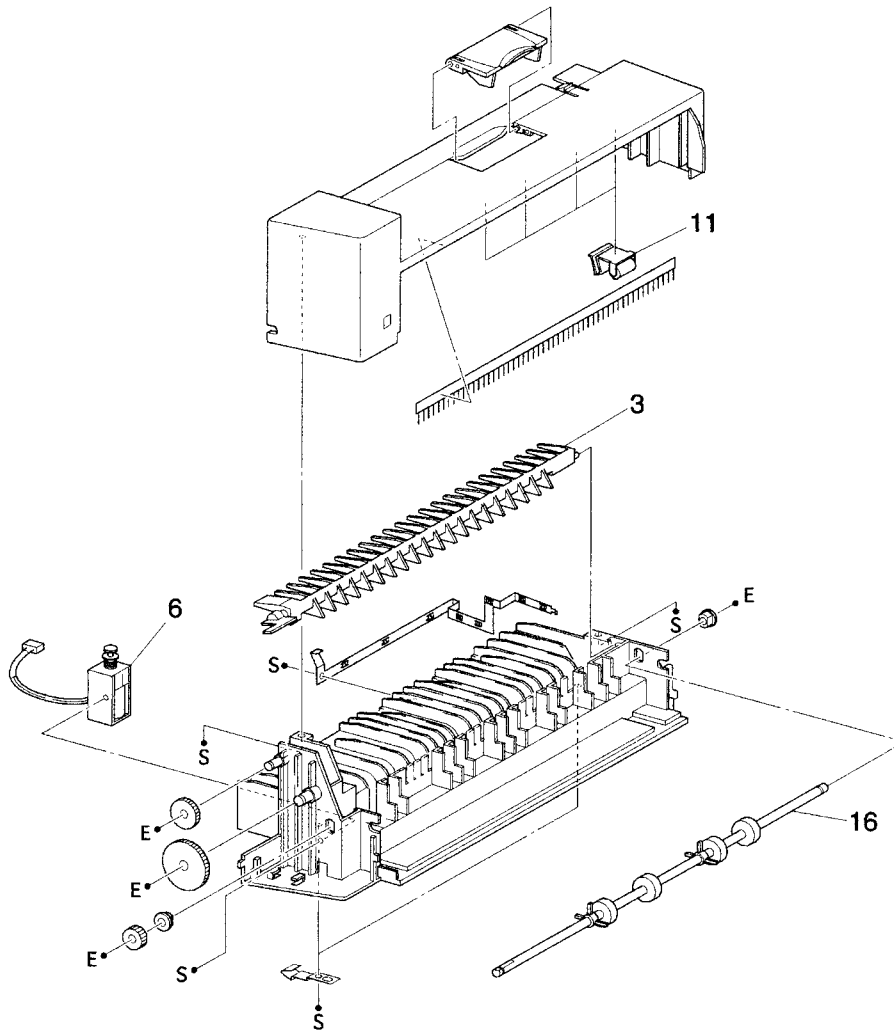


DUPLEX UNIT (1.1)

EPSON ACULASER C8600

Page No.:36

The parts to which no reference number is assigned will not be available as after-sale service parts.



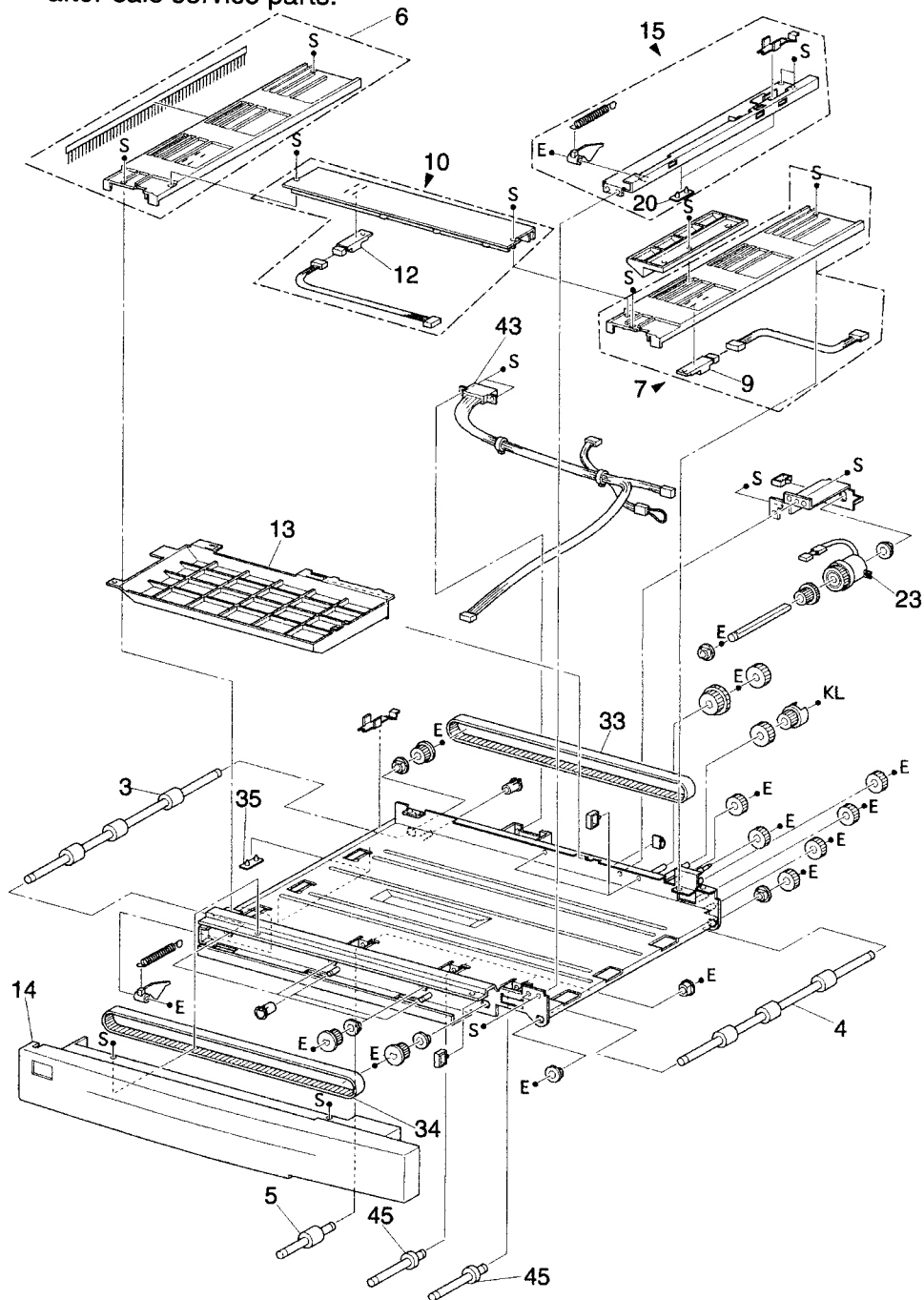
TBK3502FA

DUPLEX UNIT (2.1) Rev.01 C457

EPSON ACULASER C8600

Page No.:37

The parts to which no reference number is assigned will not be available as after-sale service parts.



DUPLEX UNIT (3.1) Rev.01 C457

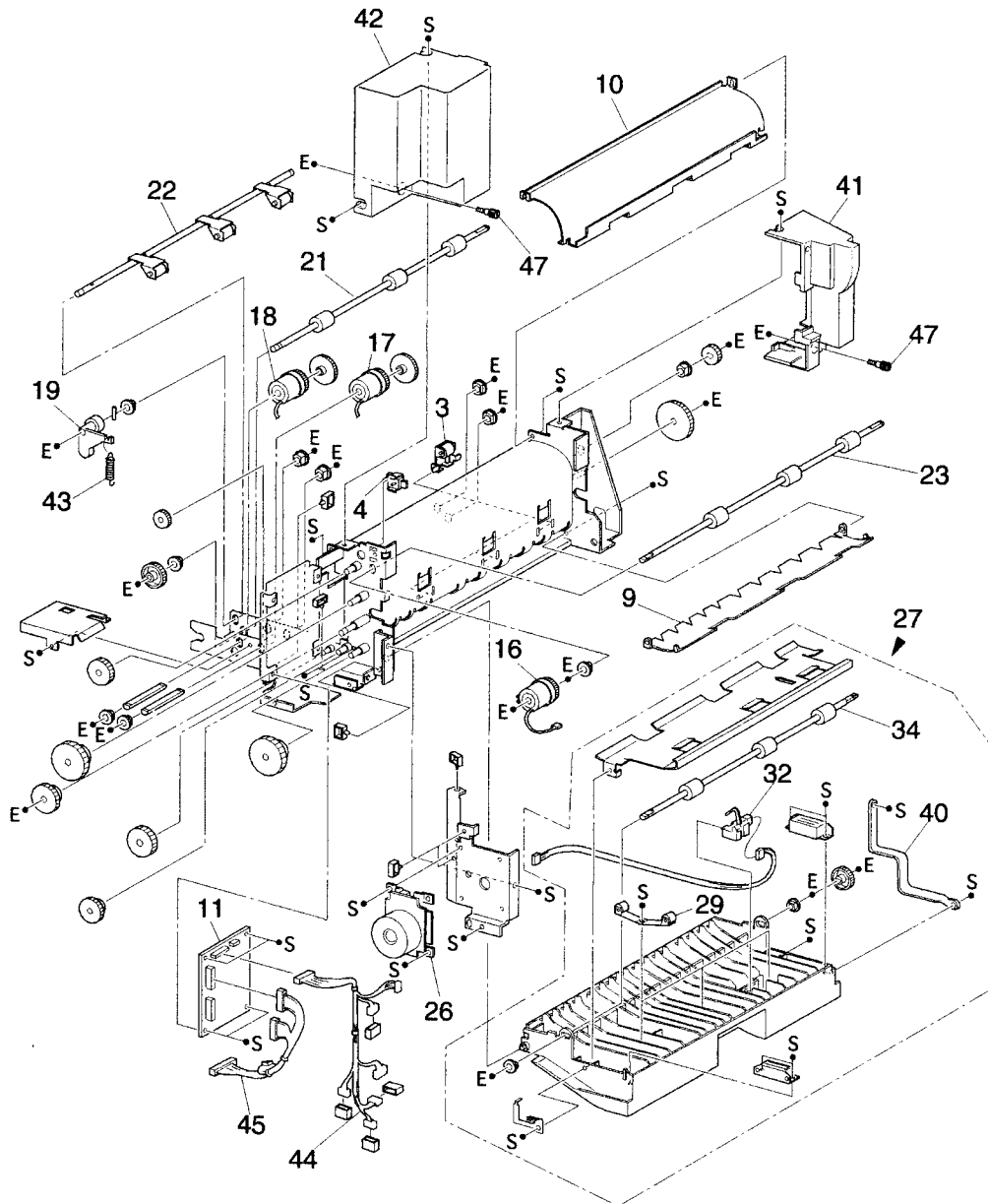
TBK3503FB

EPSON

ACULASER C8600

Page No.:38

The parts to which no reference number is assigned will not be available as after-sale service parts.

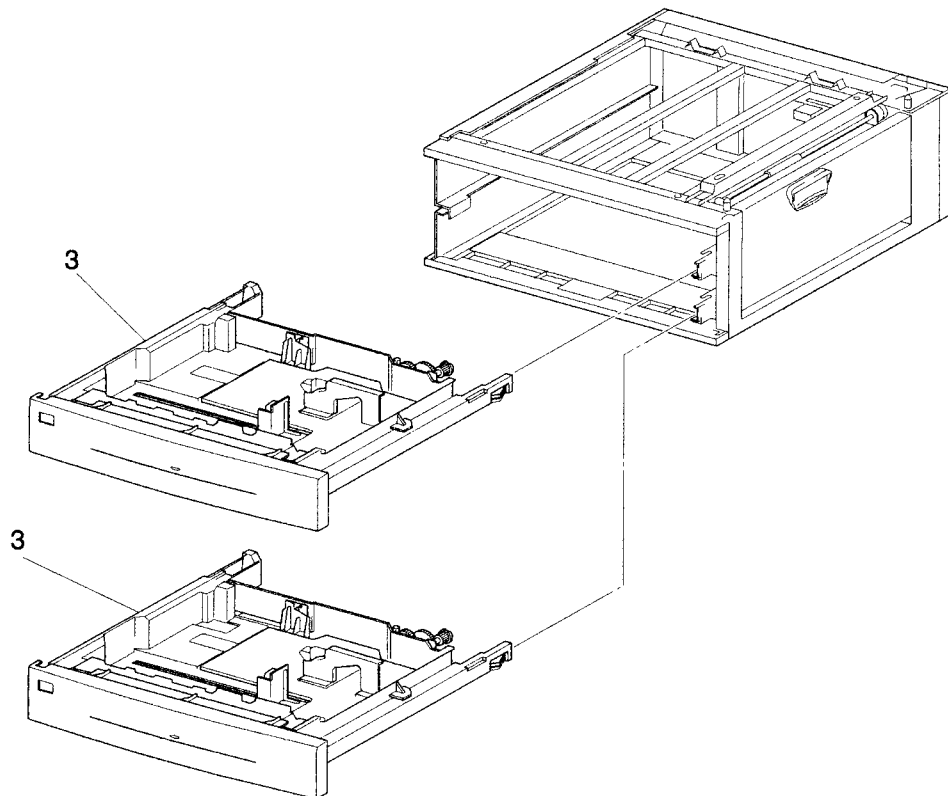


EPSON

ACULASER C8600

Page No.:39

The parts to which no reference number is assigned will not be available as after-sale service parts.

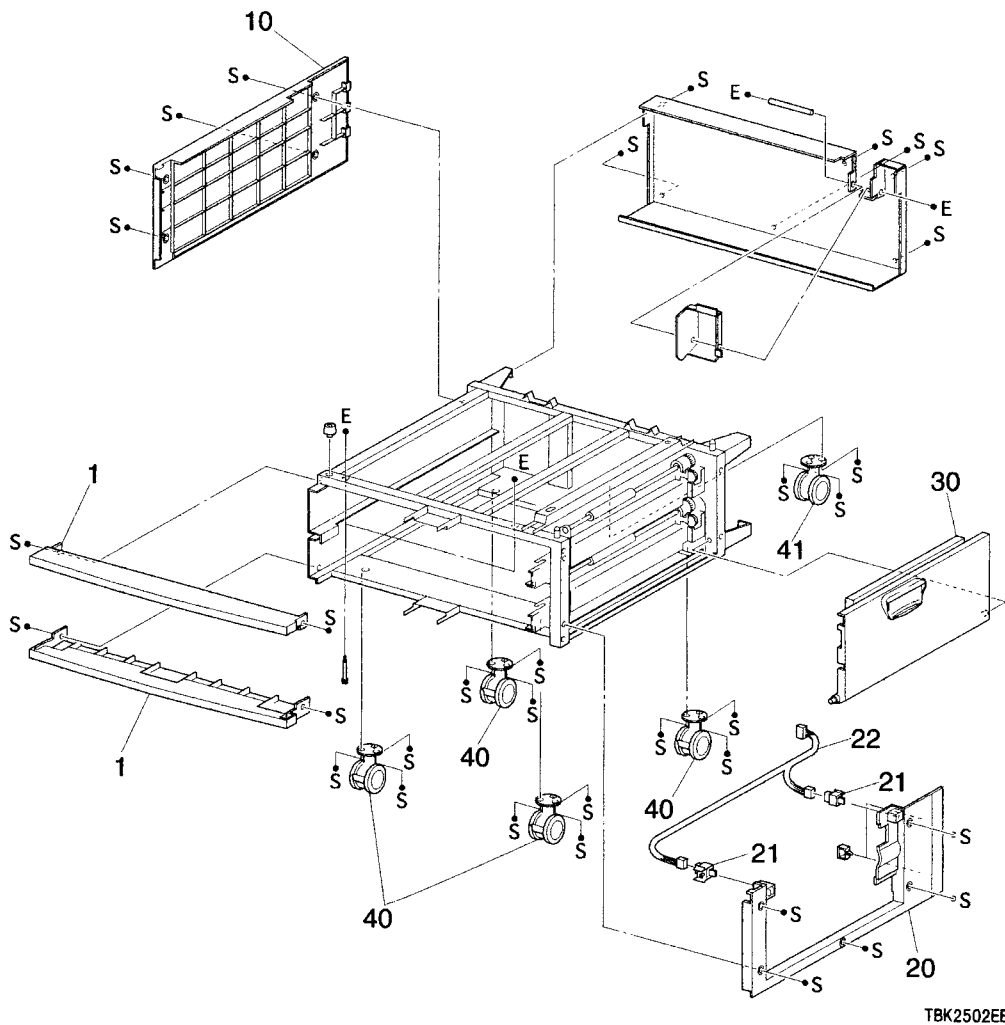


Large Capacity Paper Unit (1.1)

EPSON ACULASER C8600

Page No.:40

The parts to which no reference number is assigned will not be available as after-sale service parts.

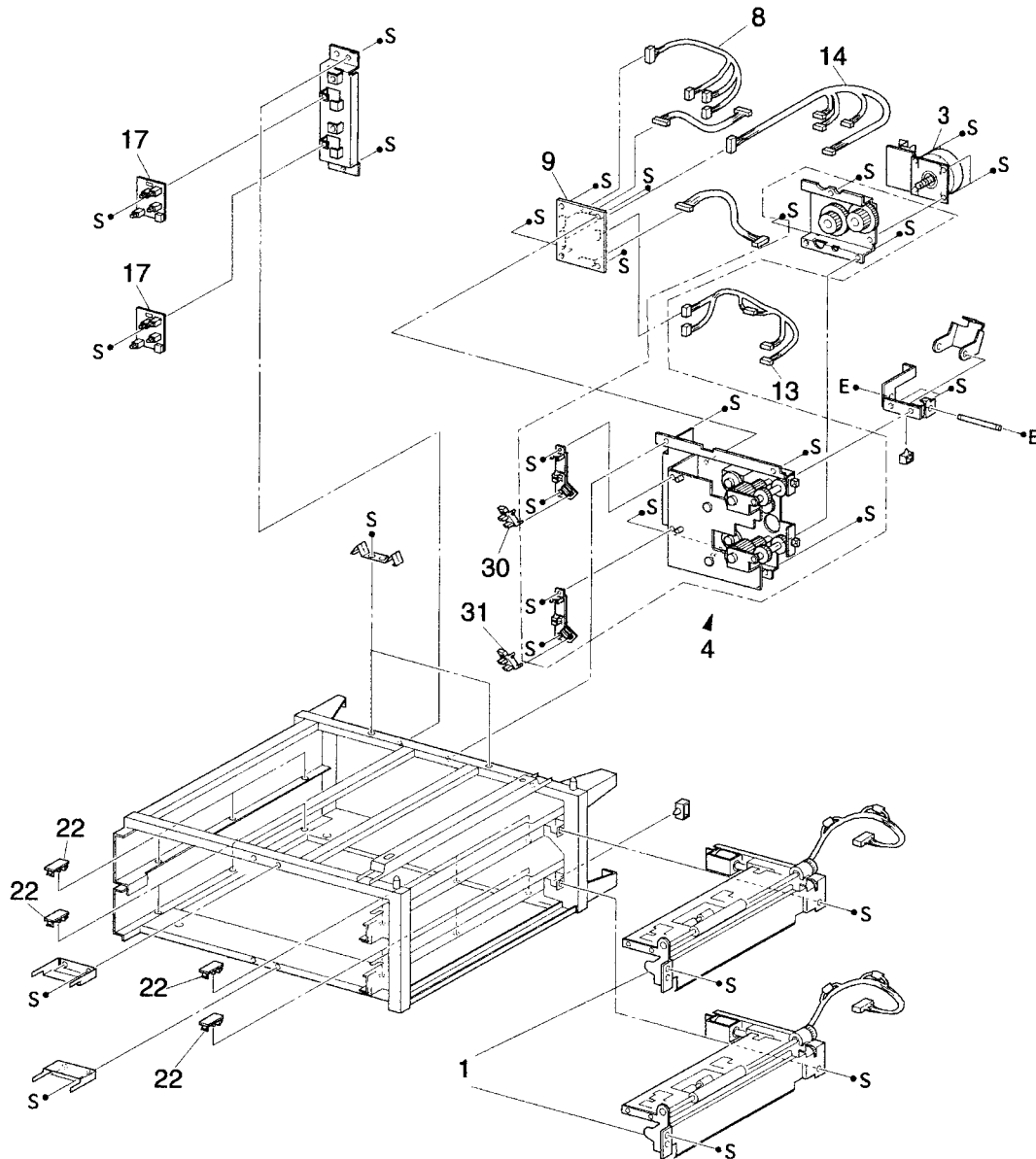


EPSON

ACULASER C8600

Page No.:41

The parts to which no reference number is assigned will not be available as after-sale service parts.

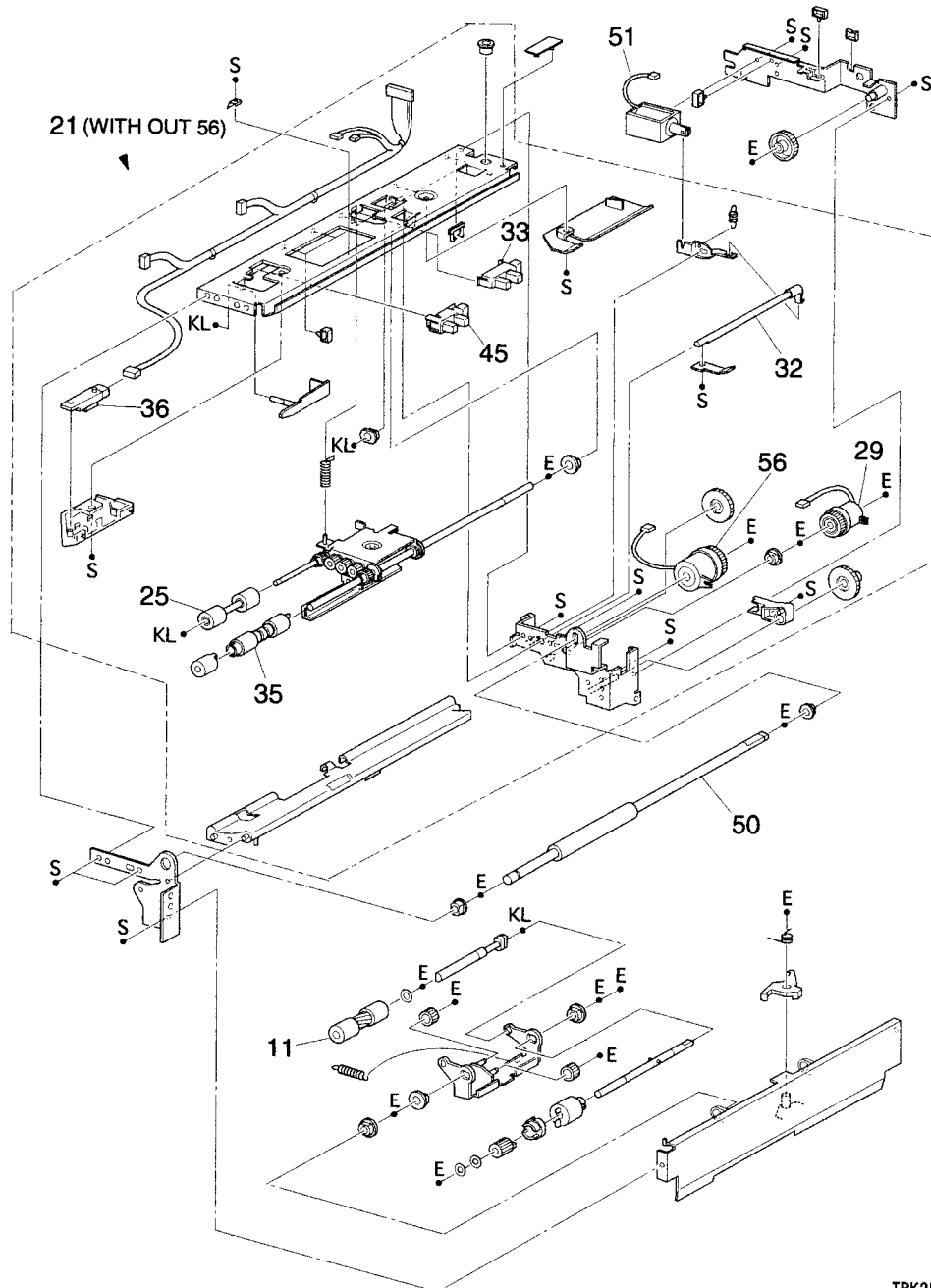


Large Capacity Paper Unit (3.1)

EPSON ACULASER C8600

Page No.:42

The parts to which no reference number is assigned will not be available as after-sale service parts.



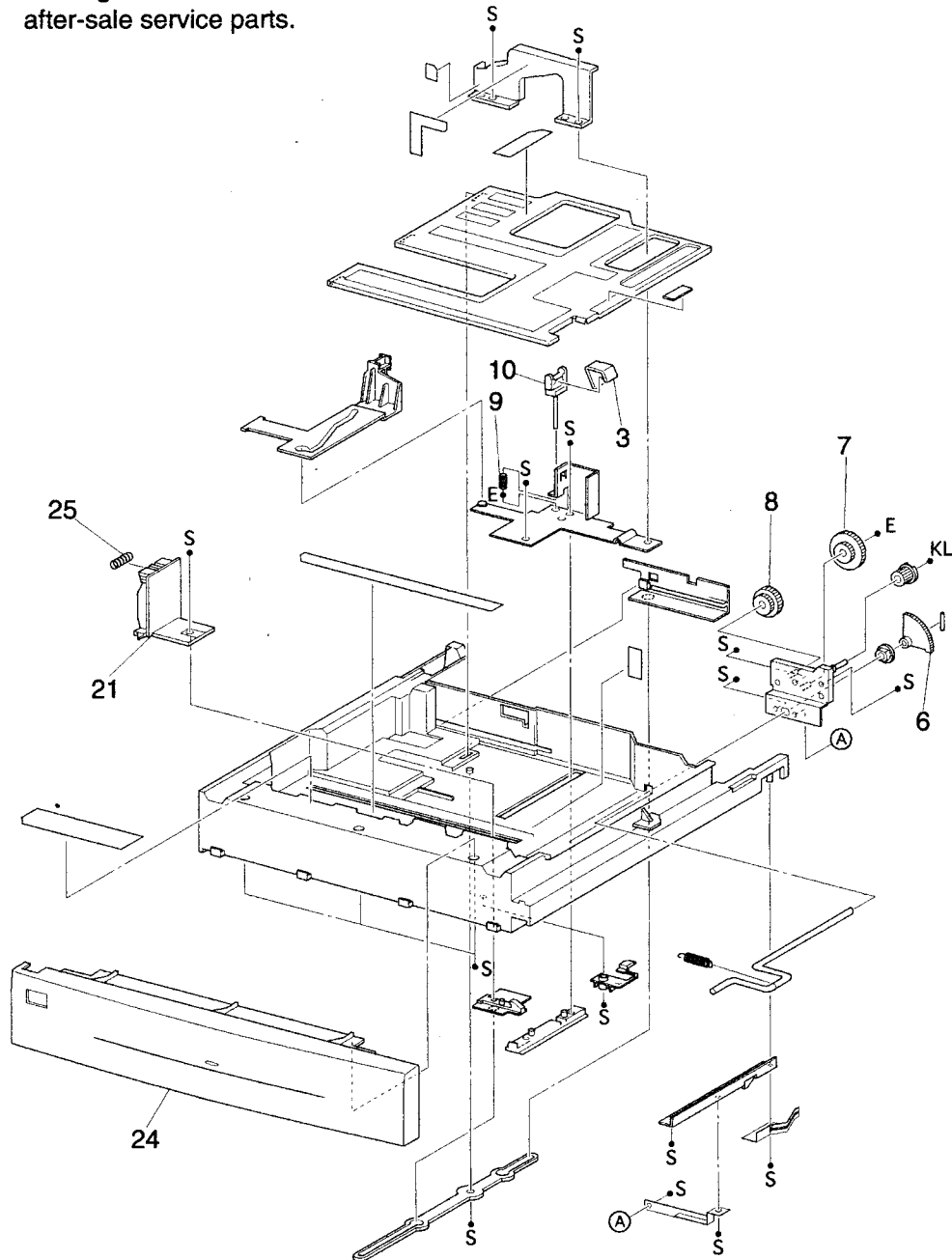
TBK2504FB

EPSON

ACULASER C8600

Page No.:43

The parts to which no reference number is assigned will not be available as after-sale service parts.



Large Capacity Paper Unit (4.1)