

EPSON

ACULASER C1900

(with supplements for Options :

C813911 500-Sheet Paper Cassette

C813921 Duplex Unit

Page No.:1

REF.	PART NO	DESCRIPTION	SPEC	QTY
01-01	1217449	RIGHT COVER	4131-1213-03	1
01-02	1217450	RIGHT COVER	4131-1210-04	1
01-03	1217451	RIGHT COVER	4131-1206-02	1
01-04	1217452	RIGHT COVER	4131-1211-02	1
01-05	1217453	SEAL	4131-1024-01	1
01-06	1217454	FILTER	4131-3622-01	1
01-08	1217455	RIGHT COVER	4131-1207-01	1
01-10	1217456	TOP COVER	4131-1201-05	1
01-11	1217457	TRAY	4131-1212-*01	1
01-12	1217458	REAR COVER	4131-1216-02	1
01-13	1217459	REAR COVER	4131-1215-02	1
01-14	1217460	SCREW	4131-2350-01	2
01-15	1217461	SOUND SHIELD	4131-2322-01	1
01-16	1217462	COVER	4131-1209-02	1
01-17	2077351	FAN MOTOR	9313-1100-41	1
01-18	1217463	SHOULDERED SCREW	4131-2373-01	3
01-19	1031628	COVER		1
01-20	1217464	BRACKET	4131-2372-02	1
01-21	1031619	GROUND PLATE		1
01-22	2069645	MAIN BOARD ASSY	4131-0107-01	1
01-23	1217465	LEFT COVER	4131-1203-03	1
01-27	1217468	FILTER	4131-1025-01	1
01-28	1217469	PLATE SPRING	4131-4702-03	2
01-29	2077201	WIRE HARNESS	4131-6837-02	1
01-31	1217471	COVER	4131-1032-01	1
01-33	1217472	FRONT COVER	4131-1202-02	1
01-34	1217473	LEVER	4131-1217-02	1
01-100	2071657	CONTROL PANEL		1
01-101	1012848	GUIDE RAIL		1
02-01	2077910	SIDE OPEN ASSY	4131-0368-03	1
02-02	2077911	WIRE HARNESS ASSY	4131-6820-01	1
02-03	1217475	PAWL	4131-3607-01	1
02-04	2077353	PHOTO INTERRUPTER	4131-0902-01	2
02-05	2077352	FAN MOTOR	9313-1100-51	1
02-06	1217476	TORSION SPRING	4131-3604-01	1
02-07	1217477	PAWL	4131-3656-02	1
02-08	1217478	ACTUATOR	4131-3618-01	1
02-09	1217479	TORSION SPRING	4131-3619-02	1
02-10	1217480	TORSION SPRING	4131-3628-01	1
02-11	1217481	ACTUATOR	4131-3626-02	1
02-12	1217482	GUIDE PLATE	4131-3651-01	1
02-13	1217483	BAND	4131-3610-02	1
02-14	1217484	ROLL	4131-3541-01	2
02-15	1217485	BISHING	4131-3537-03	2
02-16	1217486	PRESSURE SPRING	4131-3539-02	1
02-17	1217487	ROLL	4131-3535-01	3
02-18	1217488	PRESSURE SPRING	4131-3540-02	1
02-19	1217489	PRESSURE SPRING	4131-4052-01	2

EPSON

ACULASER C1900

(with supplements for Options :
C813911 500-Sheet Paper Cassette
C813921 Duplex Unit

Page No.:2

REF.	PART NO	DESCRIPTION	SPEC	QTY
02-20	1217490	TORSION SPRING	4131-3630-02	1
02-21	1213562	2ND TRANSFER ROLLER ASSY	4131-0370-02	1
03-02	1217491	FILTER	4131-2015-02	1
03-03	1217492	HOLDER	4131-2050-02	1
03-04	1217493	COVER	4131-2009-02	1
03-05	2077912	HOLDER ASSY	4131-0398-01	1
03-06	2077354	LOCK LEVER ASSY	4131-0341-01	1
03-07	1217494	TENSION SPRING	4131-2988-01	1
03-08	1217495	PRESSURE SPRING	4131-2984-01	1
03-09	1217496	HOLDER	4131-2986-02	1
03-10	1217497	RACK ASSY	4131-0319-01	1
03-11	1217498	HOLDER	4131-2983-02	1
03-12	1217500	COLLER	4131-2705-01	1
03-13	1217501	SHAFT	4131-2710-02	1
03-14	1217502	SEAL	4131-2013-02	1
04-01	1217503	GEAR	4131-2596-01	1
04-02	1003474	BUSHING		6
04-03	1217504	FLANGE	4131-2535-01	1
04-04	1217505	PULLEY	4131-2595-01	1
04-05	1217506	DRIVING ASSY	4131-0151-01	1
04-06	1217507	TIMING BELT	4131-2599-01	1
04-07	1217508	FLANGE	4131-2560-01	1
04-08	2077913	WIRE HARNESS ASSY	4131-6832-02	1
04-09	2077355	FUSION DECELERATION UNIT	4131-0355-02	1
04-10	2077914	SOLENOID	9321-2100-61	1
04-11	2077357	RACK DRIVE ASSY	4131-0302-01	1
04-12	2077917	WIRE HARNESS ASSY	4131-6811-03	1
04-13	2077916	CLUTCH	9322-1200-11	1
04-14	2077353	PHOTO INTERRUPTER	4131-0902-01	1
04-15	1217509	GEAR	4131-2615-01	1
04-16	1217513	GEAR	4131-2608-01	1
04-17	1217514	LEVER ASSY	4131-0752-01	1
04-18	1217515	TENSION SPRING	4131-2621-01	1
04-19	1217510	GEAR	4131-2602-02	1
04-20	1058120	TENSION SPRING	4120-1213-02	1
04-21	1217511	GEAR	4131-2611-01	1
04-22	1217512	SOUND SHIELD	4131-2805-01	1
04-23	1213564	PULLEY	4131-2561-01	1
04-24	1217517	GEAR	4131-2571-01	1
04-25	1213563	TORSION SPRING	4131-2564-02	1
04-26	1217518	RATCHET	4131-2563-02	1
04-27	1213565	DRUM	4131-2592-02	1
04-28	1217519	BUSHING	4131-2589-01	1
04-29	1217520	CAM	4131-2562-01	1
04-30	1217521	WASHER	1200-1342-05	2
04-31	1217522	GEAR	4131-2559-01	1
04-32	1217523	GEAR	4131-2553-01	1
04-33	1217524	GEAR	4131-2552-01	1

EPSON

ACULASER C1900

(with supplements for Options :

C813911 500-Sheet Paper Cassette

C813921 Duplex Unit

Page No.:3

REF.	PART NO	DESCRIPTION	SPEC	QTY
04-34	1217525	GEAR	4131-2549-02	1
04-35	1217526	TIMING BELT	4131-2593-01	1
04-36	2077356	SOLENOID	9321-2100-41	1
05-01	1217527	SEAL	4131-3943-01	1
0502	1217606	PIN	9752-3012-50	1
05-02	1217528	DUCT ASSY	4131-0152-01	1
05-03	1217529	CONTACT	4131-2585-01	1
05-04	1217530	DUCT	4131-4609-01	1
05-05	1217531	SEAL	4131-4612-01	1
05-06	1217532	GROUND	4131-2583-01	1
05-07	1217533	HOLDER	4131-2580-03	1
0508	1012088	PIN		1
05-08	1217534	CONTACT	4131-2586-02	1
0509	1040918	PIN		1
05-09	1217535	CONTACT	4131-2587-01	1
05-10	1217536	GUIDE	4131-2509-01	1
05-11	1217537	GEAR	4131-2512-01	1
05-12	1217538	GEAR	4131-2504-01	1
05-13	1217539	GEAR	4131-2502-01	1
05-14	1217540	GEAR	4131-2511-01	1
05-15	1217541	GEAR	4131-2503-01	1
05-16	1217542	GEAR	4131-2594-01	1
05-17	1217504	FLANGE	4131-2535-01	1
05-18	2077359	MOTOR	9314-2100-21	1
05-19	1217544	TAPPING SCREW	1151-4524-01	2
05-20	2077358	FAN MOTOR	9313-1100-31	1
05-21	1217545	GUIDE	4131-4635-02	1
05-22	1217546	DUCT	4131-4631-04	1
05-23	1213566	FILTER KIT	4131-0906-01	1
05-24	2077918	WIRE HARNESS ASSY	4131-6813-01	1
05-25	1217547	BRACKET	4131-4634-01	1
05-26	1217548	CONTACT	4131-2588-01	1
05-27	2077919	WIRE HARNESS ASSY	4131-6828-02	1
05-28	1217549	PIN	4131-2584-01	2
05-29	1217550	CONTACT	4131-2582-02	1
05-30	2077920	WIRE HARNESS ASSY	4131-6826-02	1
05-31	1217551	CONTACT	4131-2581-01	1
06-01	2077364	AIDC ASSY	4131-0399-01	1
06-02	2077363	PWB ASSY	4131-0908-01	1
06-03	2077925	WIRE HARNESS ASSY	4131-6808-01	1
06-04	2077926	WIRE HARNESS ASSY	4131-6825-01	1
06-05	2077360	HV TRANSFORMER	4131-6211-02	1
06-06	2028198	POWER CABLE,BS31303SI-BH	240V	1
06-07	1217552	PWB SUPPORT 12.7H	9384-1900-58	2
06-08	2077929	WIRE HARNESS ASSY	4131-6802-02	1
06-09	2036353	SWITCH	0990-6304-02	1
06-10	2077930	WIRE HARNESS ASSY	4131-6801-01	1
06-11	2077362	POWER SUPPLY 200V	4131-6202-02	1

EPSON

ACULASER C1900

(with supplements for Options :

C813911 500-Sheet Paper Cassette

C813921 Duplex Unit

Page No.:4

REF.	PART NO	DESCRIPTION	SPEC	QTY
06-12	2077365	SOLID STATE SWITCH	9335-1100-21	1
06-13	2077931	WIRE HARNESS ASSY	4131-6824-01	1
06-14	1047609	PWB SUPPORT9.53H	9384-1900-57	3
06-15	2033079	FERRITE CORE	9326-1810-51	1
06-16	1217553	COVER	4131-2312-02	1
07-02	1217555	PAPER EXIT ASSY	4131-0385-03	1
07-03	2077368	FUSING UNIT 240V	4131-0377-02	1
07-04	2077353	PHOTO INTERRUPTER	4131-0902-01	1
07-05	1217556	LEVER	4131-5542-03	1
07-06	1217557	ROLLER	4131-5502-01	1
07-07	1217558	ROLLER	4131-5501-02	1
07-08	1217559	BALL BEARING	4131-5522-01	2
07-09	1217560	BUSHING	4131-5523-01	2
07-10	1217563	RING	4131-5563-03	4
07-11	1217564	GEAR	4131-5512-01	1
07-12	1217565	BALL BEARING	4131-5521-01	2
07-13	2077932	THERMISTOR	4131-6703-02	1
07-14	2077933	THERMAL SWITCH	9334-1100-21	1
07-15	2077936	HALOGEN LAMP 240V	4131-6504-01	1
07-16	2077937	HALOGEN LAMP 240V	4131-6505-02	1
07-17	1217568	PROTECTION	4131-2024-01	1
07-18	1217569	SEAL	4131-1021-01	1
07-19	1217570	PAWL	4131-2031-02	2
07-20	1217571	COVER	4131-1204-01	1
07-21	1217572	SEAL	4131-1023-01	1
07-22	1217566	LEVER	4131-5534-03	1
07-23	1217567	ACTUATOR	4131-5518-04	1
08-01	2077415	PRINT HEAD ASSY	4131-0531-02	1
08-02	2077938	HOLDER ASSY	4131-0339-01	1
08-03	2077939	WIRE HARNESS ASSY	4131-6823-01	1
08-04	1217573	RUBBER FOOT	4131-2016-01	4
08-05	1217574	HOLDER	4131-2315-03	1
08-06	2077940	WIRE HARNESS ASSY	4131-6822-01	1
08-07	1217575	SHOULDERED SCREW	4131-2320-01	2
08-08	2077411	FRONT COVER SW ASSY	4131-0326-01	1
08-09	2077941	WIRE HARNESS ASSY	4131-6809-02	1
08-10	2077942	WIRE HARNESS ASSY	4131-6807-03	1
08-11	1217576	COVER	4131-2307-01	1
08-12	1217577	SHOULDER SCREW	0990-2064-01	2
08-13	2077944	PLUG HOUSING	9383-2100-41	1
08-14	2077943	WIRE HARNESS ASSY	4131-6817-04	1
08-15	2077413	TRANSPORT SWITCH ASSY	4131-0350-02	1
08-16	2077414	PUSH BUTTON SWITCH	4131-0901-01	1
08-17	2036369	SOLID STATE SWITCH	9335-1910-61	1
09-01	1217579	SHOULDERED SCREW	4131-3514-01	4
09-02	2077945	TRANSFER UNIT	4131-0360-04	1
09-03	1217580	CLEANING PAD	4131-3509-02	1
09-04	1217581	TORSION SPRING	4131-3512-01	1

EPSON

ACULASER C1900

(with supplements for Options :
C813911 500-Sheet Paper Cassette
C813921 Duplex Unit

Page No.:5

REF.	PART NO	DESCRIPTION	SPEC	QTY
09-05	2077417	SOLID STATE SWITCH	9335-1100-31	1
09-06	2077353	PHOTO INTERRUPTER	4131-0902-01	2
09-07	1217582	ACTUATOR	4131-3511-03	1
09-08	2077356	SOLENOID	9321-2100-41	1
09-09	2077416	SOLENOID	9321-2100-51	2
09-10	2036389	SOLID STATE SWITCH	9335-1910-21	1
10-02	1217584	GUIDE	4131-3010-03	1
10-03	1217585	PRESSURE SPRING	4131-3054-02	1
10-04	1217586	HOLDER	4131-3053-02	1
10-05	1217587	TENSION SPRING	4131-3033-02	1
10-06	1217588	STOPPER	4131-3043-01	1
10-07	1217589	GUIDE	4131-3057-02	1
10-08	1217590	GUIDE PLATE	4131-3056-01	1
10-09	1083194	ROLLER ASSY	4658-0151-01	1
10-10	1058361	STOP RING	4142-3217-01	1
10-11	1213567	ROLLER	4131-3001-01	1
10-12	1217591	BUSHING	4131-3003-01	2
10-13	2077946	HUMIDITY CONVERSION EL.	9372-5100-12	1
10-14	1217592	GEAR	4131-3080-01	2
10-15	1217593	ROLL	4131-3008-01	1
10-16	1213569	GEAR	4131-3004-02	1
10-17	1213568	TORSION SPRING	4131-3006-01	1
10-18	1217594	RATCHET	4131-3005-01	1
10-19	1213570	DRUM	4131-3007-01	1
10-20	1217521	WASHER	1200-1342-05	1
10-21	1217595	LEVER	4131-3038-01	1
10-22	1217596	TENSION SPRING	4131-3040-01	1
10-23	2077356	SOLENOID	9321-2100-41	1
10-24	2077947	WIRE HARNESS ASSY	4131-6818-03	1
10-25	1217597	TORSION SPRING	4131-3039-03	1
10-26	1217598	GEAR	4131-3035-02	1
10-27	1217599	LIFTING PLATE ASSY	4131-0433-01	1
10-28	1217600	ACTUATOR	4131-3042-03	1
10-29	2077353	PHOTO INTERRUPTER	4131-0902-01	1
10-31	1217602	COVER	4131-3438-02	1
10-32	1046888	FRICTION SHEET	1164-3064-01	1
10-33	1217603	TORSION SPRING	4131-3011-01	1
11-01	1217604	WIRING SADDLE	9384-1100-91	30
11-02	1083191	WIRING SADDLE 9.2H	9384-1921-11	14
11-03	1083192	WIRING SADDLE 15.2H	9384-1921-21	3
11-04	1015333	EDGE COVER 8.5H		7
11-05	1217605	EDGE COVER	9384-2910-21	1
11-06	1083252	EDGE COVER	9384-2910-31	3
11-07	1031831	WIRING SADDLE 6.4H		1
1301	1217607	SCREW	9646-0210-13	1
1305	1004686	SCREW		1
1308	1028751	SCREW		1
1318	1031790	SCREW		1

EPSON

ACULASER C1900

(with supplements for Options :

C813911 500-Sheet Paper Cassette

C813921 Duplex Unit

Page No.:6

REF.	PART NO	DESCRIPTION	SPEC	QTY
1399	1217608	SCREW	9646-0408-14	1
2101	1004709	SCREW		1
2518	1113937	SCREW	9642-0306-14	1
2706	1217609	SCREW	9654-0408-14	1
3501	1012113	TAPPING SCREW		1
3503	1004719	TAPPING SCREW		1
3504	1004720	TAPPING SCREW		1
3524	1058711	TAPPING SCREW	9735-0316-13	1
3541	1012096	TAPPING SCREW		1
3544	1053852	TAPPING SCREW	9735-0306-14	1
3547	1052923	SCREW	4154-3804-01	1
3548	1217610	TAPPING SCREW	9735-0330-13	1
3726	1217611	TAPPING SCREW	9739-0408-14	1
3727	1046142	TAPPING SCREW	9739-0308-14	1
3734	1042707	SCREW	1250-2301-01	1
3930	1217613	SCREW	9742-0318-13	1
3931	1217612	TAPPING SCREW	9742-0310-14	1
3932	1220029	SCREW	9749-1740-07	1
8301	1012098	WASHER		1
9107	1004746	RETAINING RING		1
9109	1015406	RETAINING RING		1
9112	1004747	RETAINING RING		1
9301	1046100	RETAINING RING	1066-1151-01	1
9302	1046101	RETAINING RING	4425-3001-01	1
9303	1046102	RETAINING RING	4425-3002-01	1
IC401	2055257	EEP-ROM(BLANK)	SOP,,0N/SEC,8	1
		END OF MAIN UNIT LIST		
		OPTION C813911		
01-01	1217614	BUSHING	4120-4039-02	2
01-02	1217615	ACTUATOR	4574-3221-03	1
01-03	2077353	PHOTO INTERRUPTER	4131-0902-01	4
01-04	1217617	ROLLER	4574-3207-01	1
01-05	1217618	GEAR	4574-3205-01	1
01-06	1217620	GEAR	4574-3208-01	1
01-07	1217621	GEAR	4574-3223-02	1
01-08	1217622	PLATE SPRING	4574-3228-01	1
01-09	1217623	GEAR	4574-3224-04	1
01-10	1217624	BUSHING	4131-3532-02	2
01-11	1217625	SHOULDER SCREW	0990-3214-01	2
01-12	2077356	SOLENOID	9321-2100-41	1
01-13	1217626	GEAR	4574-3218-01	3
01-14	1058330	ROLLER ASSY	4142-0212-02	2
01-15	1217637	BUSHING	4574-3225-02	1
01-16	1217638	JOINT	4574-3217-01	1
01-17	1217639	COVER	4574-3607-01	1
01-18	1217641	PLATE SPRING	4574-3216-01	4
01-19	1217642	PLATE SPRING	4574-3118-04	2

EPSON

ACULASER C1900

(with supplements for Options :
C813911 500-Sheet Paper Cassette
C813921 Duplex Unit

Page No.:7

REF.	PART NO	DESCRIPTION	SPEC	QTY
01-20	1217573	RUBBER FOOT	4131-2016-01	4
01-21	2077948	WIRE HARNESS ASSY	4574-6801-02	1
01-22	2077949	WIRE HARNESS ASSY	4574-6802-02	1
01-23	2077418	PWB ASSY CASSETTE	4574-0101-01	1
01-24	1217644	SUPPORTER	4574-3401-03	2
01-25	1217645	SUPPORTER	4574-3402-02	1
02-01	1217647	CASSETTE ASSY	4574-0313-01	1
02-02	1213571	SEPARATOR PAD	4120-3116-01	2
02-03	1217648	BUFFER	4574-3315-02	2
02-04	1217649	PLATE SPRING	4574-3316-03	1
02-05	1217650	REGULATING PLATE	4574-3306-02	1
1208	1046114	SCREW	9644-0306-13	1
1308	1028751	SCREW		1
1399	1217608	SCREW	9646-0408-14	1
3501	1012113	TAPPING SCREW		1
3547	1052923	SCREW	4154-3804-01	1
3727	1046142	TAPPING SCREW	9739-0308-14	1
9107	1004746	RETAINING RING		1
9301	1046100	RETAINING RING	1066-1151-01	1
9302	1046101	RETAINING RING	4425-3001-01	1
		OPTION C813921		
01-01	1217657	COVER	4575-3502-02	1
01-02	1217659	ROLLER	4575-3722-01	2
01-03	1058395	ROLLER	4143-3720-01	2
01-04	2077420	MOTOR	9314-1200-11	2
01-05	1217660	REAR COVER	4575-3512-01	1
01-06	2077950	WIRE HARNESS ASSY	4575-6803-02	1
01-07	2060241	WIRE HARNESS ASSY	4143-6801-01	1
01-08	2077951	WIRE HARNESS ASSY	4575-6802-01	1
01-09	1217661	ROLL	4575-3728-01	2
01-10	2077419	PWB ASSY DUPLEX	4575-0101-02	1
01-11	2077353	PHOTO INTERRUPTER	4131-0902-01	1
01-12	1217662	ACTUATOR	4575-3706-01	1
01-13	1058388	TORSION SPRING	4143-3707-02	1
01-14	1217663	GUIDE PLATE	4575-3509-01	1
01-15	1217577	SHOULDERED SCREW	0990-2064-01	2
01-17	1217667	SHOULDERED SCREW	4575-3708-01	2
3402	1028700	TAPPING SCREW		1
3504	1004720	TAPPING SCREW		1
3727	1046142	TAPPING SCREW	9739-0308-14	1
9107	1004746	RETAINING RING		1
9302	1046101	RETAINING RING	4425-3001-01	1
END				

EPSON

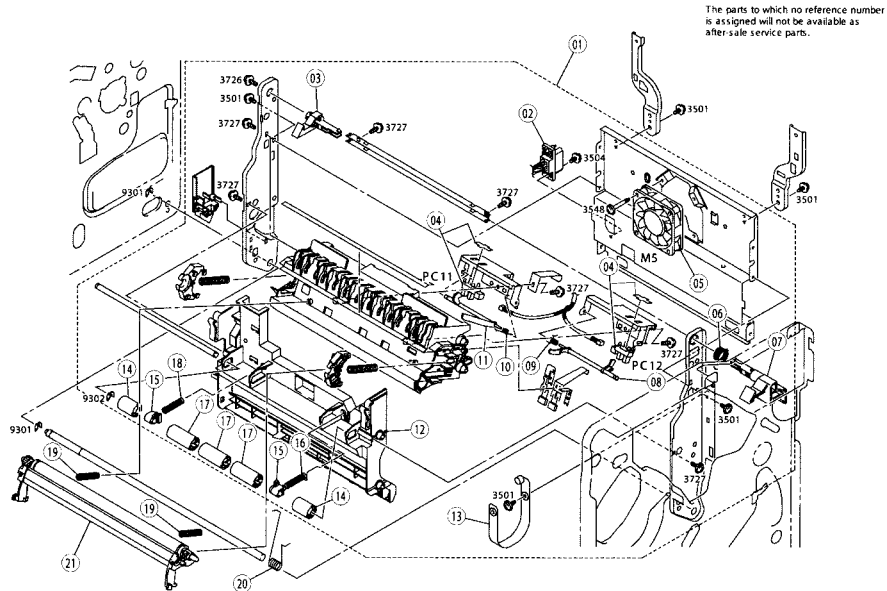
ACULASER C1900

(with supplements for Options :

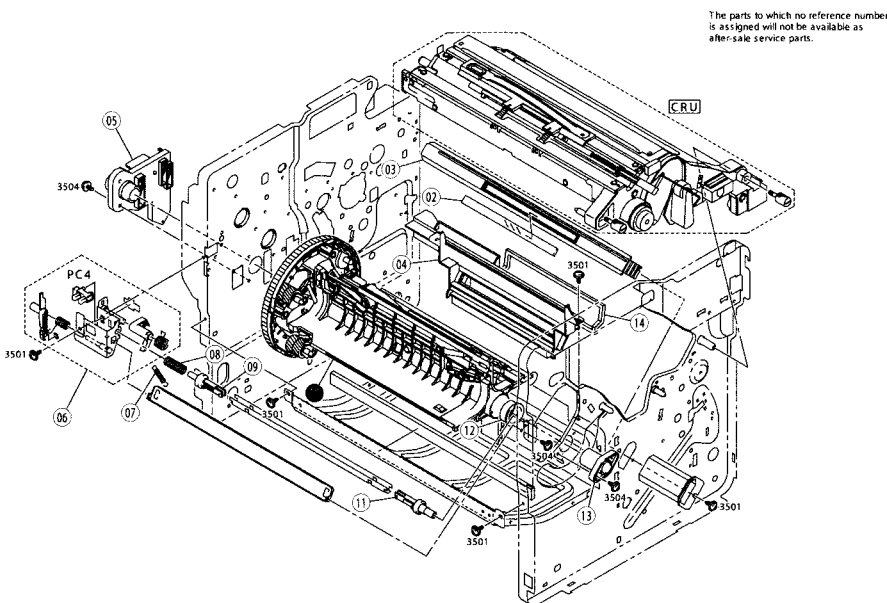
C813911 500-Sheet Paper Cassette

C813921 Duplex Unit

Page No.:9



AcuLaser C 1900 NO.02



AcuLaser C 1900 NO.03

EPSON

ACULASER C1900

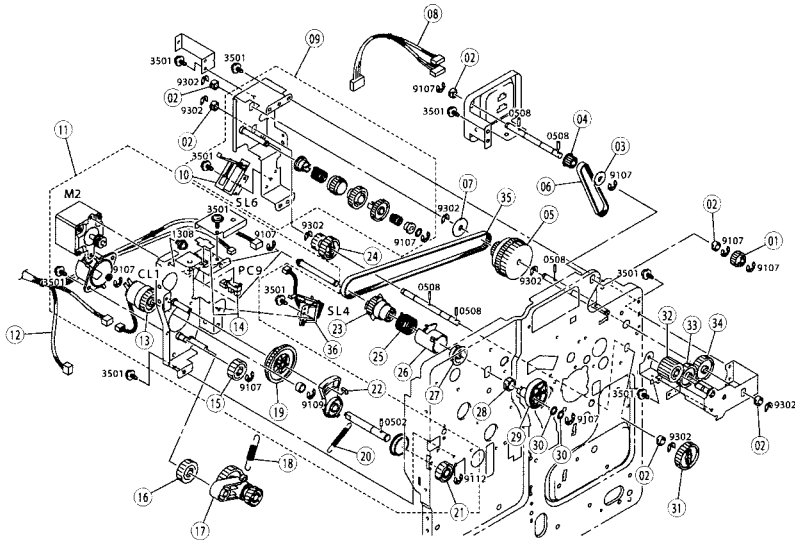
(with supplements for Options :

C813911 500-Sheet Paper Cassette

C813921 Duplex Unit

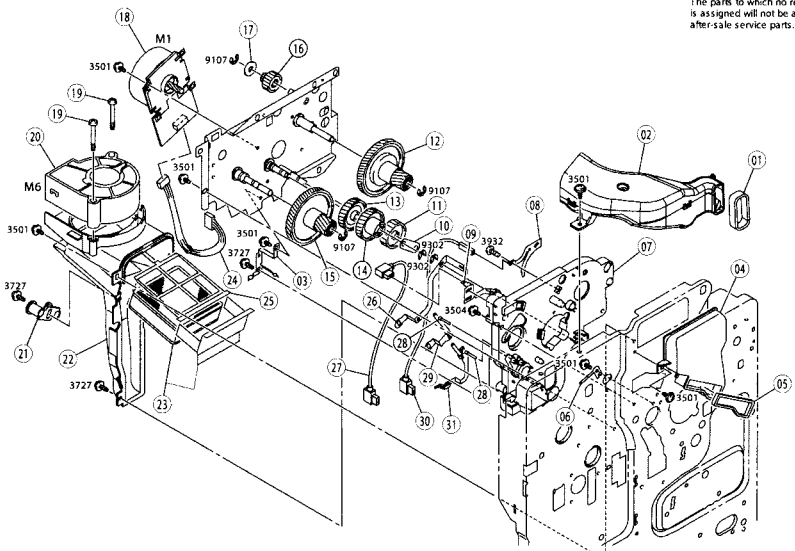
Page No.:10

The parts to which no reference number is assigned will not be available as after-sale service parts.



AcuLaser C1900 NO.04

The parts to which no reference number is assigned will not be available as after-sale service parts.



AcuLaser C1900 NO.05

EPSON

ACULASER C1900

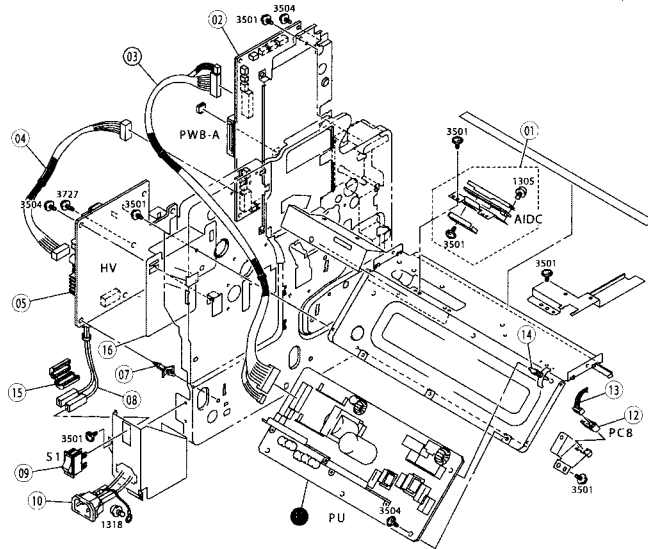
(with supplements for Options :

C813911 500-Sheet Paper Cassette

C813921 Duplex Unit

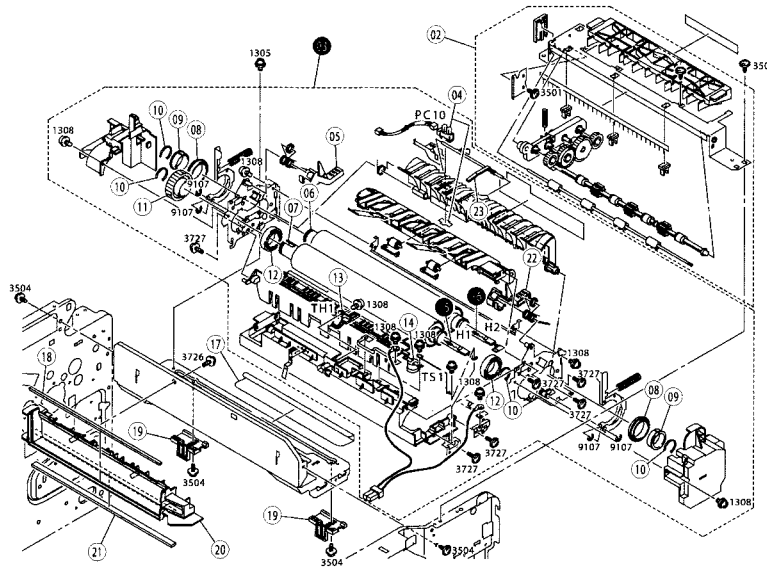
Page No.:11

The parts to which no reference number is assigned will not be available as after-sale service parts.



AcuLaser C1900 NO.06

The parts to which no reference number is assigned will not be available as after-sale service parts.

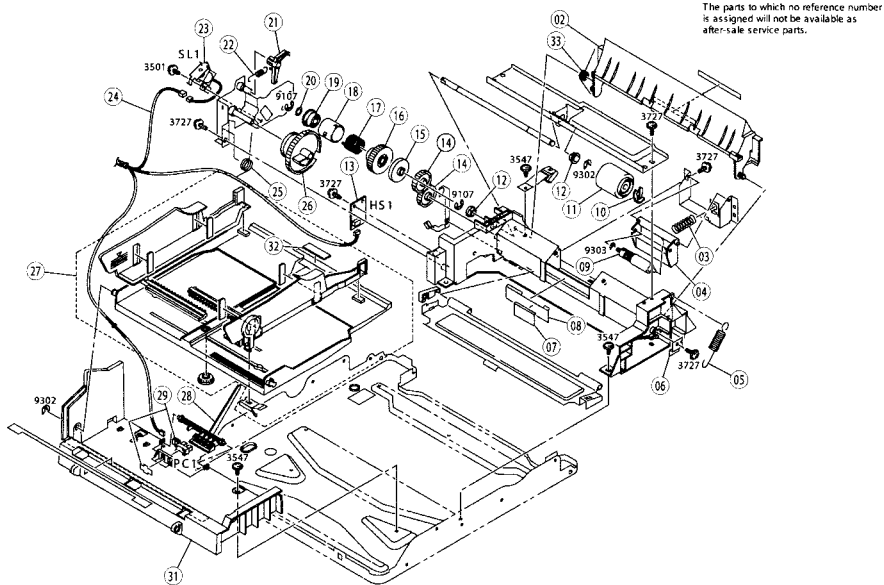


AcuLaser C1900 NO.07

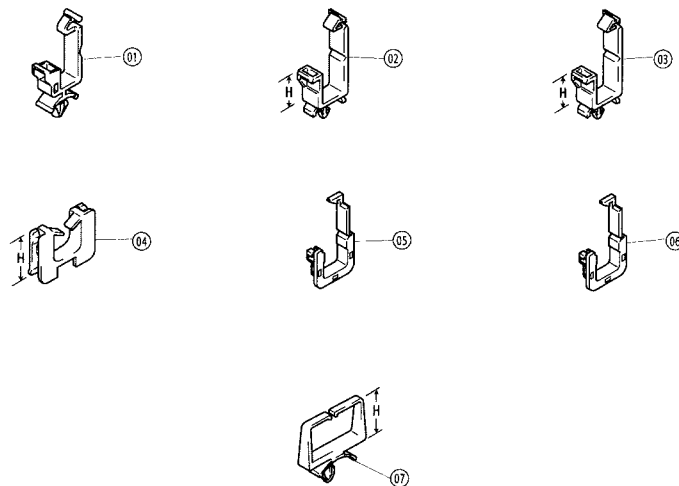
EPSON

ACULASER C1900

(with supplements for Options :
C813911 500-Sheet Paper Cassette
C813921 Duplex Unit
Page No.:13



AcuLaser C1900 NO.10



AcuLaser C1900 NO.11

EPSON

ACULASER C1900

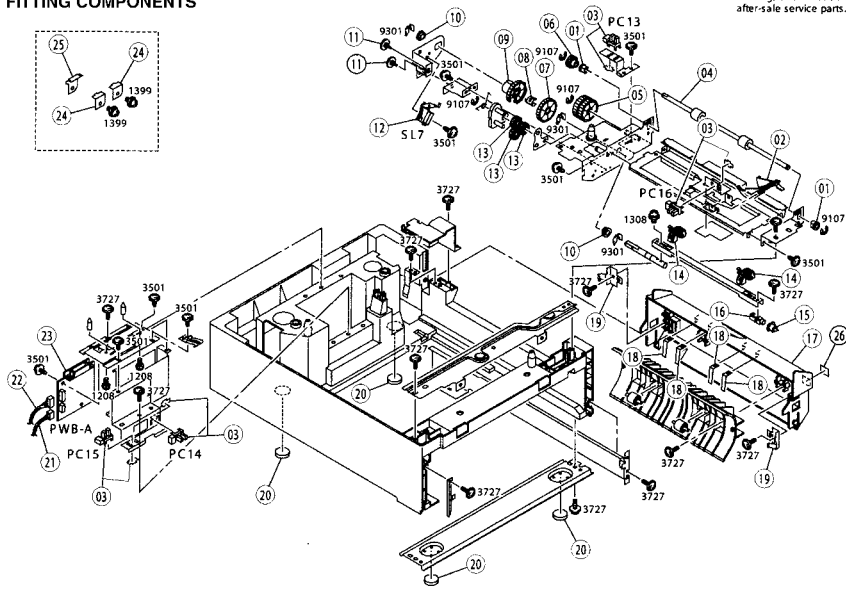
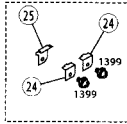
(with supplements for Options :

C813911 500-Sheet Paper Cassette

C813921 Duplex Unit

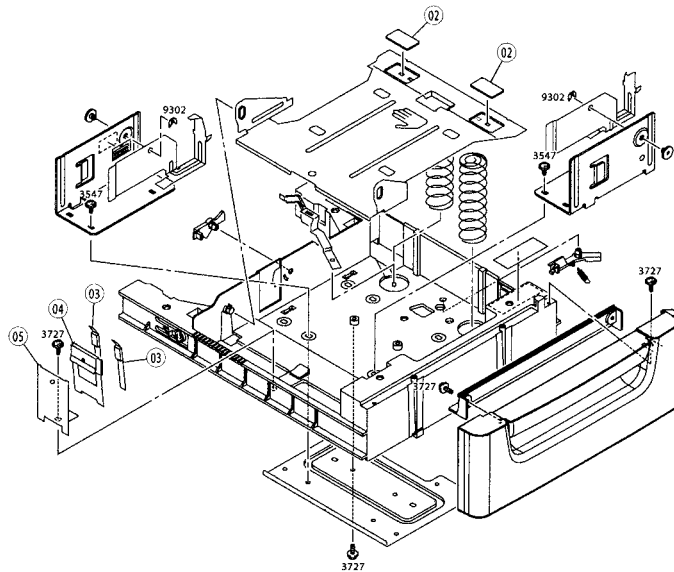
Page No.:14

FITTING COMPONENTS



... 500sheet Paper Cassette Unit C813911

NO.01 Rev.01



FOR 500sheet Paper Cassette Unit C813911

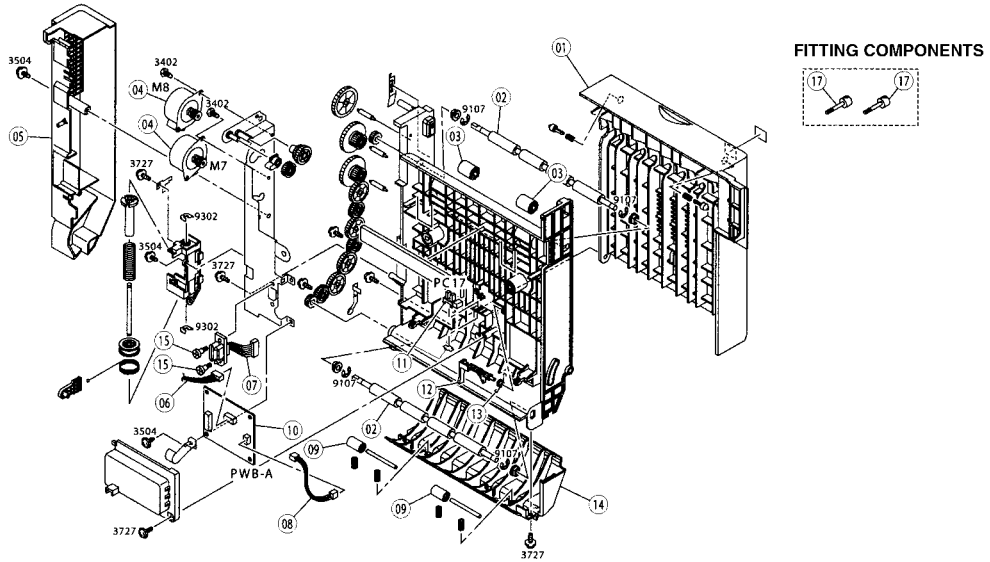
NO.02 Rev.01

EPSON

ACULASER C1900

(with supplements for Options :
C813911 500-Sheet Paper Cassette
C813921 Duplex Unit
 Page No.:15

The parts to which no reference number is assigned will not be available as after-sale service parts.



Duplex Unit C813921

NO.01 Rev.01