

EPSON

ACULASER C1000

Page 1

REF	PART NO	DESCRIPTION	SPECIFICATION	QTY
1-01	1090706	COVER	4120-1511-01	1
1-02	1057962	SCREW	4120-1025-01	2
1-04	1057963	RIGHT COVER	4120-1410-01	1
1-05	1057964	RIGHT COVER	4120-1406-01	1
1-06	1057965	RIGHT COVER	4120-1411-03	1
1-07	1090707	COVER	4120-1628-01	1
1-08	1090708	TOP COVER	4120-1601-01	1
1-09	1057968	FILTER	4120-1029-01	1
1-10	1090709	COVER	4120-1629-01	1
1-11	1057970	RIGHT COVER	4120-1412-01	1
1-12	1057971	RIGHT COVER	4120-1407-03	1
1-13	1057972	REAR COVER	4120-1431-03	1
1-14	1057973	LEFT COVER	4120-1403-03	1
1-15	1090710	TRAY	4120-1609-01	1
1-16	1057975	PAWL	4120-1026-02	2
1-17	1057976	PRESSURE SPRING	4120-1027-02	2
1-19	1057977	PLATE SPRING	4120-1033-01	2
1-20	1057978	SET PLATE	4120-1004-02	1
1-21	1057979	COVER	4120-1030-08	1
1-22	1061760	LABEL	4120-7440-01	1
1-23	1057980	FRONT COVER	4120-1402-04	1
1-24	1057796	LABEL,DC/PH/I.T.U CHANGE		1
1-25	1057981	BAND	4120-1014-02	1
1-33	2060566	CONTROL PANEL	4120-6015-01	1
1-34	1091849	LENS	4120-1512-01	1
2-01	1090712	COVER ASSY	4120-3933-01	1
2-02	1057985	BUSHING	4120-3956-01	1
2-03	1057987	PRESSURE SPRING	4120-3926-01	1
2-04	1057993	BUSHING	4120-3946-01	4
2-05	1090714	LEVER	4120-3934-01	1
2-06	1057996	ROLLER ASSY	4120-0758-01	2
2-07	1057997	COLLAR	4120-3967-01	1
2-08	1057999	GEAR	4120-3964-01	1
2-09	1058000	GEAR	4120-3915-01	4
2-10	1058001	PRESSURE SPRING	4120-3965-02	1
2-11	1058003	GEAR	4120-5607-01	1
2-12	1058004	COLLAR	4120-3968-01	1
2-13	1058005	TORSION SPRING	4120-3944-03	1
2-14	1058006	GEAR	4120-3942-02	1
2-15	1058007	GEAR	4120-3941-01	1
2-16	1058009	HOLDER	4120-5610-01	1
2-17	1058010	GEAR	4120-5608-01	1
2-18	1058011	HOLDER	4120-3913-01	1
2-19	1058012	HOLDER	4120-3914-01	1
2-20	1058014	LEVER	4120-3912-02	1
2-21	1058015	PULLEY	4120-3917-01	2
2-22	1058016	TIMING BELT	4120-3916-01	1
2-23	1058017	GEAR	4120-3919-01	1
2-24	1058018	SHAFT	4120-3906-02	2
2-25	1058020	ROLL	4120-3953-01	6
2-26	1090715	GUIDE ASSY	4120-0770-01	1
2-29	1058025	BUSHING	4120-3911-01	2

EPSON

ACULASER C1000

REF	PART NO	DESCRIPTION	SPECIFICATION	QTY
2-30	1047417	SCREW	1250-2301-01	2
2-31	1061699	SHAFT	4120-5602-02	1
2-32	1084216	TORSION SPRING	4120-5614-15	1
2-33	1058029	PRESSURE SPRING	4120-5618-02	2
2-34	1058030	HOLDER	4120-5617-01	2
2-35	1058031	ROLLER	4120-3952-02	4
2-36	1058400	LABEL	4120-7416-01	1
2-38	1058033	ROLLER	4120-3955-01	4
2-39	1058034	GUIDE ASSY	4120-0752-01	1
2-40	1061702	LABEL	4120-7457-02	1
2-41	1058035	TORSION SPRING	4120-3963-01	1
2-42	1084439	GUIDE ASSY	4120-0757-03	1
2-43	2036345	SOLID STATE SWITCH	9335-1910-41	1
2-44	1058038	BRACKET	4120-3961-04	1
2-45	1042718	STOPPER	4109-5530-01	1
2-46	1090711	GUIDE ASSY	4099-0378-01	1
2-47	1090713	EARTH PLATE	4120-3908-02	1
3-01	1058053	FUSING UNIT DRIVE ASSY	4120-0446-02	1
3-02	1058054	SCREW	4106-2063-01	7
3-03	1058055	GEAR	4120-5625-02	1
3-04	1058056	DUCT	4120-2052-01	1
3-05	1058057	DUCT	4120-2057-01	1
3-06	2036346	FAN MOTOR	9313-1910-51	1
3-07	2036347	PRESSURE MOTOR ASSY	4120-0470-01	1
3-08	2036345	SOLID STATE SWITCH	9335-1910-41	1
3-09	1047329	STOPPER	1136-2131-03	1
3-10	2036348	STOP PLATE ASSY	4120-0437-02	1
3-11	1058059	COVER	4120-2346-04	1
3-12	1058060	PROTECTION	4120-2345-01	1
3-13	1058061	COLLAR	4120-5646-03	1
3-14	1058062	RATCHET	4120-5627-02	1
3-15	1058064	TORSION SPRING	4120-5628-03	1
3-16	1058065	REGULATING PLATE	4120-5629-01	1
3-17	1058066	GEAR	4120-5639-01	1
3-18	1058067	GEAR	4120-5626-01	1
3-19	1058068	TORSION SPRING	4120-5632-01	1
3-20	1058069	PAWL	4120-5633-01	1
3-21	1058072	TORSION SPRING	4120-2319-02	1
3-22	1058073	SHUTTER	4120-2318-02	1
3-23	1058075	FUSING UNIT DRIVE 3 ASSY	4120-0452-03	1
3-24	2035702	FUSER UNIT 220V		1
3-25	2060354	WIRE HARNESS ASSY	4120-6802-03	1
3-26	2060355	WIRE HARNESS ASSY	4120-6826-04	1
3-27	1056731	FUSER OIL ROLL		1
4-01	2036356	POWER SUPPLY	4120-6204-04	1
4-04	2060254	PWB ASSY	4120-0115-02	1
4-05	1058084	REAR COVER	4120-1408-03	1
4-06	1058086	COVER	4120-2351-04	1
4-07	1058087	COVER	4120-2352-01	1
4-08	1027321	COVER,TYPE-B		1
4-09	1090716	BRACKET	4120-2364-01	1
4-10	1031619	GROUND PLATE		1

EPSON

ACULASER C1000

Page 3

REF	PART NO	DESCRIPTION	SPECIFICATION	QTY
4-11	2049035	HV TRANSFORMER	4120-6212-01	1
4-12	1058088	COVER	4120-2313-01	1
4-13	1047609	PWB SUPPORT9.53H	9384-1900-57	4
4-14	2036352	FAN MOTOR	9313-1910-71	1
4-15	2036353	SWITCH	0990-6304-02	1
4-16	2036354	HARNESS ASSY	4120-6801-02	1
4-17	1058092	TENSION SPRING	4120-4602-01	1
4-18	1058093	PRESSURE SPRING	4120-4611-01	1
4-19	1058094	CONTACT	4120-4604-02	1
4-20	1058096	GUIDE ASSY	4120-0753-01	1
4-21	2030612	MICRO SWITCH	9331-2710-11	1
4-22	1058097	PWB SUPPORT	9384-1010-31	3
4-23	1058099	EARTH GROUND	4120-2305-01	1
4-25	2056209	HARNESS	4120-6863-01	1
4-26	2060356	WIRE HARNESS ASSY	4120-6818-02	1
4-27	2060357	WIRE HARNESS ASSY	4120-6848-01	1
4-28	2060358	WIRE HARNESS ASSY	4120-6808-01	1
4-29	2060359	WIRE HARNESS ASSY	4120-6834-03	1
4-30	2060360	WIRE HARNESS ASSY	4120-6827-03	1
4-31	2060361	WIRE HARNESS ASSY	4120-6835-01	1
4-32	2060362	WIRE HARNESS ASSY	4120-6831-01	1
4-33	2060363	WIRE HARNESS ASSY	4120-6829-01	1
4-34	2060364	WIRE HARNESS ASSY	4120-6830-02	1
4-35	2060365	WIRE HARNESS ASSY	4120-6856-01	1
4-36	2060366	WIRE HARNESS ASSY	4120-6807-01	1
4-37	2060367	WIRE HARNESS ASSY	4120-6821-04	1
4-38	1052923	SCREW	4154-3804-01	6
4-39	1012848	GUIDE RAIL		1
4-40	2056224	HARNESS	4120-6861-02	1
4-200	2060319	BOARD ASSY.,MAIN	5816D,ASP(OTHER MER)	1
4-201	2048955	BOARD ASSY.,I/F	5774A,STANDARD	1
4-210	2054748	BOARD ASSY.,MEMORY	5698H,C434	1
5-01	1058109	DUCT ASSY	4120-0774-01	1
5-02	1058111	LEVER	4120-1214-01	1
5-03	1058112	LEVER	4120-1210-02	1
5-04	1047417	SCREW	1250-2301-01	1
5-05	1058113	DUCT	4120-4609-02	1
5-06	2036357	FAN MOTOR	9313-1910-61	1
5-07	2036568	LEVER ASSY	4120-0361-03	1
5-08	2036358	MOTOR	9314-1910-11	1
5-09	2036359	PWB ASSY	4120-0110-01	1
5-10	1046713	STOPPER	4470-4024-01	1
5-11	2036345	SOLID STATE SWITCH	9335-1910-41	1
5-12	1058117	LEVER	4120-1225-01	1
5-13	1058118	HOLDER	4120-2983-03	1
5-14	1058120	TENSION SPRING	4120-1213-02	1
5-15	1058121	LEVER ASSY	4120-0775-01	1
5-16	1058123	LEVER	4120-1229-01	1
5-17	1058124	LEVER	4120-2982-01	1
5-18	1058126	PRESSURE SPRING	4120-2984-01	1
5-20	1058399	LABEL	4120-7433-02	1
6-01	1058134	GUIDE	4120-2981-03	1

EPSON

ACULASER C1000

Page 4

REF	PART NO	DESCRIPTION	SPECIFICATION	QTY
6-02	2036467	RACK ASSY	4120-0313-03	1
6-03	1084215	AXLE PLATE ASSY	4120-0425-04	1
6-04	2036345	SOLID STATE SWITCH	9335-1910-41	1
6-05	1047329	STOPPER	1136-2131-03	1
6-06	1058136	TPRSION SPRING	4120-2859-02	1
6-07	1058137	PRESSURE SPRING	4120-2865-02	1
6-08	1058138	BUSHING	4120-2867-02	1
6-09	1058139	TORSION SPRING	4120-2808-01	1
6-10	1058140	LEVER	4120-2803-02	1
6-11	1058141	SOUND SHIELD	4120-2809-03	1
6-12	1058145	LEVER	4120-2862-03	1
6-13	1058146	GEAR	4120-2855-01	1
6-14	1058147	PRESSURE SPRING	4120-2858-01	1
6-15	1058148	BUSHING	4120-2866-02	1
6-16	1058149	GEAR	4120-2853-01	1
6-17	1058151	LEVER	4120-2864-02	1
6-18	1058152	KNOB ASSY	4120-0386-03	1
6-19	2036362	PWB ASSY	4120-0108-03	1
6-20	1058156	SHAFT	4120-2710-01	1
6-21	2035704	TRANSFER BELT UNIT		1
7-01	1058177	DRIVING ASSY	4120-0152-03	1
7-02	1058178	TENSION SPRING	4120-2621-02	1
7-03	2036363	MOTOR ASSY	4120-0443-03	1
7-04	1058180	DRIVING ASSY	4120-0155-02	1
7-05	2036364	MOTOR ASSY	4120-0755-01	1
7-06	2036365	MOTOR ASSY	4120-0440-02	1
7-07	1058185	CLUTCH ASSY	4120-0154-03	1
7-08	1058187	GEAR	4120-2554-01	2
7-09	1058188	BUSHING	4120-2553-01	2
7-10	1058190	HOLDER	4120-2551-01	1
7-11	2060368	WIRE HARNESS ASSY	4120-6817-02	1
7-12	1052923	SCREW	4154-3804-01	5
8-01	1058200	PROTECTION	4120-2058-03	1
8-02	1058202	SPACER	4120-5577-01	2
8-03	1058203	COVER	4120-3642-02	1
8-04	1058204	GUIDE	4120-5541-03	1
8-05	1058205	HOLDER ASSY	4120-0769-01	1
8-06	1058206	SHIELD PLATE	4120-2060-02	1
8-07	1058207	SHOULDER SCREW	4120-2059-01	1
8-08	1058208	LEVER	4120-2053-03	1
8-09	2036366	SWITCH	9332-1910-21	1
8-11	1058212	SHOULDER SCREW	1100-1344-12	1
8-12	1058213	LEVER	4120-4594-01	1
8-13	1058214	TORSION SPRING	4120-4596-01	1
8-14	1058215	CAP	4120-2037-02	2
8-15	1058216	BRACKET	4120-2014-01	1
8-16	1058218	STOPPER	4120-3924-02	1
8-17	1058219	SCREW	4142-3604-01	1
8-18	1058220	REAR COVER	4120-1432-04	1
8-19	1046693	RUBBER FOOT	0996-3055-01	3
8-21	1058224	SEAL	4120-2047-01	1
8-22	1058225	STOPPER	4120-4702-02	1

EPSON

ACULASER C1000

Page 5

REF	PART NO	DESCRIPTION	SPECIFICATION	QTY
8-23	1058227	TENSION SPRING	4120-2055-02	1
8-24	1058228	LEVER	4120-2054-01	1
8-25	1058229	GUIDE	4120-2036-04	1
8-26	2036367	PRINT HEAD ASSY	4120-0531-03	1
8-27	1058231	TENSION SPRING	4120-2056-01	1
8-28	1058232	DUCT	4120-2041-02	1
8-29	2036368	MICRO SWITCH	9331-2910-11	1
8-30	1058234	LEVER	4120-2338-02	1
8-31	1058236	TORSION SPRING	4120-2339-01	1
8-32	1058237	HINGE	4120-1016-04	1
8-33	2036369	SOLID STATE SWITCH	9335-1910-61	1
8-34	1058238	PIN	4120-2025-01	2
8-35	1058241	LEVER	4120-4062-02	1
8-36	1058243	BUSHING	4120-4063-01	1
8-37	1058244	LEVER	4120-4065-01	1
8-38	1058245	LEVER	4120-4061-02	1
8-39	1058246	HINGE	4120-1015-04	1
8-40	1058255	PLATE NUT	1076-1203-02	1
8-41	1058256	TENSION SPRING	4120-4066-01	1
8-42	2030612	MICRO SWITCH	9331-2710-11	2
8-43	1058257	CALKING ASSY	4120-0223-01	1
8-44	1058258	TORSION SPRING	4120-4064-01	1
8-45	1058054	SCREW	4106-2063-01	10
8-46	1058259	LEVER	4120-2334-01	1
8-47	1058260	HOLDER	4120-2336-03	1
8-48	1058261	STOPPER	4120-3951-03	1
8-49	1056730	PRINT HEAD FILTER		1
8-50	1058054	SCREW	4106-2063-01	1
8-53	2060369	WIRE HARNESS ASSY	4120-6806-08	1
8-54	1058399	LABEL	4120-7433-02	1
9-18	2060255	SIDE OPEN ASSY	4099-0348-02	1
10-08	1058280	CALKING ASSY	4120-0220-01	1
10-10	1058282	TORSION SPRING	4120-3613-04	1
10-12	1058284	LEVER	4120-3614-03	1
10-13	1058285	SHAFT ASSY	4120-0219-02	1
10-14	1058286	HOLDER	4120-3637-01	1
10-B	2035703	SECOND TRANSFER ROLL		1
11-01	1058288	ROLLER	4120-3234-01	1
11-02	1058289	ROLL	4120-3042-01	4
11-03	1058291	GEAR	4120-3505-01	1
11-04	1058292	HANDLE	4120-3526-01	1
11-05	2036389	SOLID STATE SWITCH	9335-1910-21	1
11-06	1058293	ROLLER	4120-3501-02	1
11-07	2036390	GUIDE ASSY	4120-0407-02	1
11-08	1058294	TORSION SPRING	4120-3506-01	2
11-09	1058295	BUSHING	4120-3509-01	2
11-10	1058296	CLUTCH ASSY	4120-0153-01	1
11-11	1058297	DUCT	4120-2044-01	1
11-12	2036346	FUN MOTOR	9313-1910-51	1
11-13	1058298	BUSHING	4120-3503-02	2
11-14	1047329	STOPPER	1136-2131-03	1
11-15	2036345	SOLID STATE SWITCH	9335-1910-41	1

EPSON

ACULASER C1000

Page 6

REF	PART NO	DESCRIPTION	SPECIFICATION	QTY
11-16	1058299	ROLLER	4120-3502-01	1
11-17	1058300	LEVER	4120-2026-02	1
11-18	1058301	TORSION SPRING	4120-2027-01	1
11-19	1058302	HOLDER ASSY	4120-0763-01	1
11-20	1058054	SCREW	4106-2063-01	2
11-21	1058303	SEAL	4120-2048-01	1
11-22	1058304	FILTER	4120-2045-02	1
11-23	1058305	GUIDE	4120-3518-04	1
11-24	1058306	GUIDE	4120-3520-02	1
11-25	1058307	GEAR	4120-3508-01	1
11-26	1058308	STOPPER	4120-3515-01	1
11-27	2036392	SOLID STATE SWITCH	9335-1910-11	1
11-28	1058309	GUIDE	4120-3521-04	1
11-29	1058310	CALKING ASSY	4120-0202-02	1
11-30	1058311	GUIDE ASSY	4120-0416-03	1
11-31	2060371	WIRE HARNESS ASSY	4120-6843-02	1
12-01	1058318	TRANSPORT ASSY	4120-0372-03	1
12-02	1058319	HOLDER	4120-3203-01	1
12-03	1046713	STOPPER	4470-4024-01	3
12-04	1058320	PLATE SPRING	4120-3206-01	1
12-05	1058321	GEAR	4120-2570-01	1
12-06	1058322	GEAR	4120-3272-01	1
12-07	1058323	TORSION SPRING	4120-3274-01	1
12-08	1058324	HOLDER	4120-3271-03	1
12-09	1058271	DRUM	4120-3012-01	1
12-10	1058325	GEAR	4120-3276-01	2
12-11	1058326	TORSION SPRING	4120-3266-02	1
12-12	1058327	GEAR	4120-3264-01	1
12-13	2036345	SOLID STATE SWITCH	9335-1910-41	3
12-14	1058328	COLLAR	4120-3268-01	1
12-15	1058329	HOLDER	4120-3255-02	1
12-16	2036393	HUMIDITY CONVERSION EL	9372-5910-11	1
12-17	2027851	SWITCH(SW21)		1
12-18	1040895	BUSHING		1
12-19	1058330	ROLLER ASSY	4142-0212-02	2
12-20	1058331	TORSION SPRING	4120-3282-01	1
12-21	1046968	SHAFT	4498-3334-01	1
12-22	1058332	ACTUATOR	4120-3281-01	1
12-23	1058333	BUSHING	4120-3240-01	1
12-24	2056354	SOLENOID		1
12-25	1058334	GUIDE	4142-3116-01	1
12-27	1068169	GUIDE	4120-3221-18	1
12-28	1058336	GUIDE	4120-3207-02	2
12-29	2060372	WIRE HARNESS ASSY	4120-6840-01	1
12-30	2060373	WIRE HARNESS ASSY	4120-6847-02	1
12-31	2060374	WIRE HARNESS ASSY	4120-6815-01	1
13-01	1058337	REGULATING PLATE ASSY	4120-0162-01	1
13-02	1061694	REGULATING PLATE ASSY	4120-0165-02	1
13-03	1058339	REGULATING PLATE ASSY	4120-0166-01	1
13-04	1058340	PLATE SPRING	4120-3129-01	1
13-05	1058341	REGULATING PLATE	4120-3144-03	1
13-06	1058431	LABEL	4120-7426-01	1

EPSON

ACULASER C1000

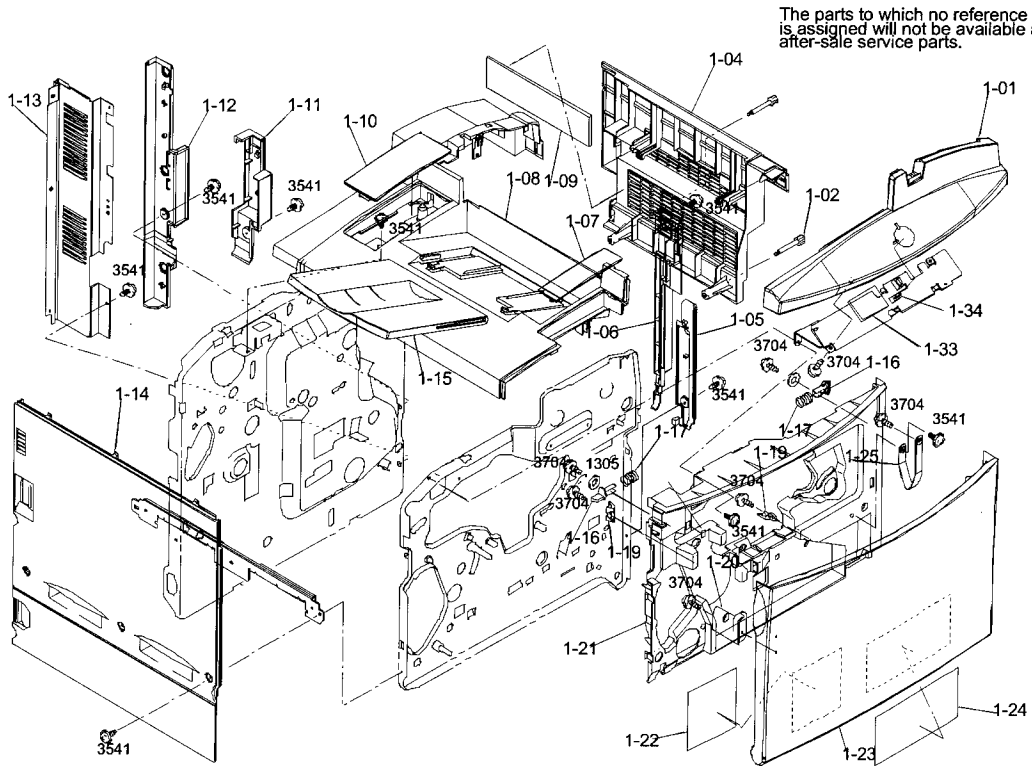
Page 7

REF	PART NO	DESCRIPTION	SPECIFICATION	QTY
13-07	1058342	PLATE SPRING	4120-3130-01	1
13-08	1058343	LEVER	4120-3146-03	1
13-09	1061322	CASSETTE ASSY	4120-0172-05	1
14-01	1046914	WIRING SADDLE 5.2H	9384-1310-11	1
14-02	1031831	WIRING SADDLE 6.4H		1
14-03	1040796	WIRING SADDLE 18.5		1
14-04	1046915	WIRING SADDLE 27H	9384-1311-01	1
14-05	1059240	WIRING SADDLE 17.3H		1
14-06	1059241	CORD CLAMP		1
14-07	1059242	CORD CLAMP		1
14-08	1015333	EDGE COVER 8.5H		1
14-09	1046916	EDGE COVER 15.4H	9384-2010-31	1
14-10	1059243	EDGE COVER		1
14-11	1059244	EDGE COVER		1
14-12	1059245	COLLAR 20D		1
(JP102)	2052549	JUMPER CONNECTOR(X601002000)	2 PIN	1
1124	1004684	SCREW		1
1247	1058114	SCREW	9644-2604-13	1
1305	1015393	SCREW		1
1308	1028751	SCREW		1
1312	1015392	SCREW		1
1318	1031790	SCREW		1
2510	1058705	SCREW	9642-0330-13	1
3307	1058708	TAPPING SCREW	9732-0316-13	1
3334	1058704	TAPPING SCREW	9732-0434-13	1
3402	1028700	TAPPING SCREW		1
3417	1058706	TAPPING SCREW	9733-0316-13	1
3501	1012113	TAPPING SCREW		1
3504	1004720	TAPPING SCREW		1
3505	1028229	TAPPING SCREW		1
3519	1015396	TAPPING SCREW		1
3524	1058711	TAPPING SCREW	9735-0316-13	1
3541	1012096	TAPPING SCREW		1
3701	1015397	TAPPING SCREW		1
3704	1015399	TAPPING SCREW		1
3705	1015400	TAPPING SCREW		1
3907	1015402	TAPPING SCREW		1
3924	1058710	TAPPING SCREW	9742-0308-14	1
8301	1012098	WASHER		1
8302	1004744	WASHER		1
8501	1046152	WASHER	9716-0300-01	1
9102	1031603	RETAINING RING		1
9105	1004745	RETAINING RING		1
9107	1004746	RETAINING RING		1
9112	1004747	RETAINING RING		1
9301	1046100	RETAINING RING	1066-1151-01	1
9302	1046101	RETAINING RING	4425-3001-01	1
9303	1046102	RETAINING RING	4425-3002-01	1
9306	1058707	RETAINING RING	9723-0500-89	1
0508	1012088	PIN		1
END				

EPSON

ACULASER C1000

Page 8

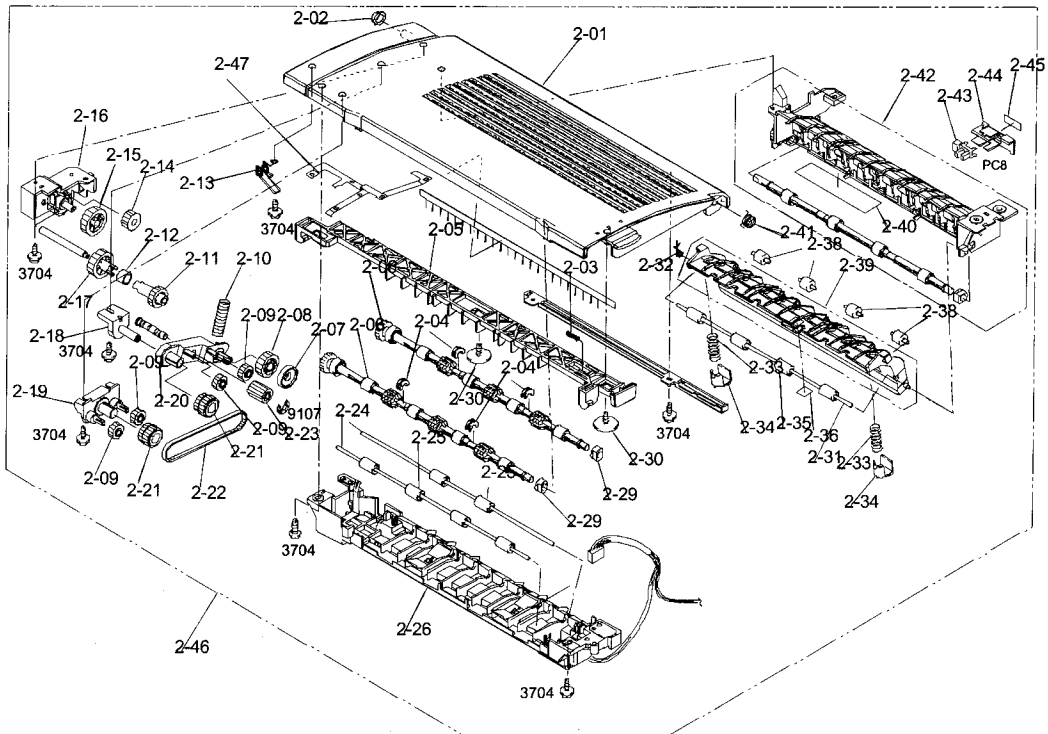


AcuLaser C1000 NO.01

EPSON ACULASER C1000

Page 9

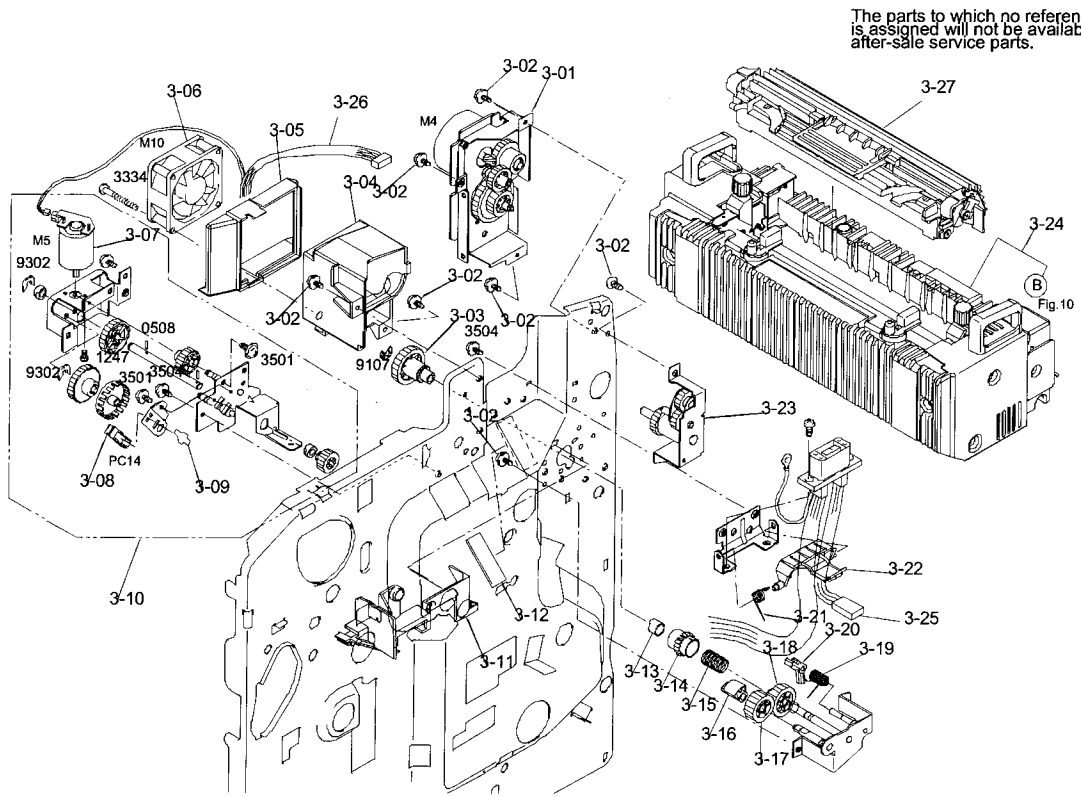
The parts to which no reference number is assigned will not be available as after-sale service parts.



AcuLaser C1000 NO.02

EPSON ACULASER C1000

Page 10

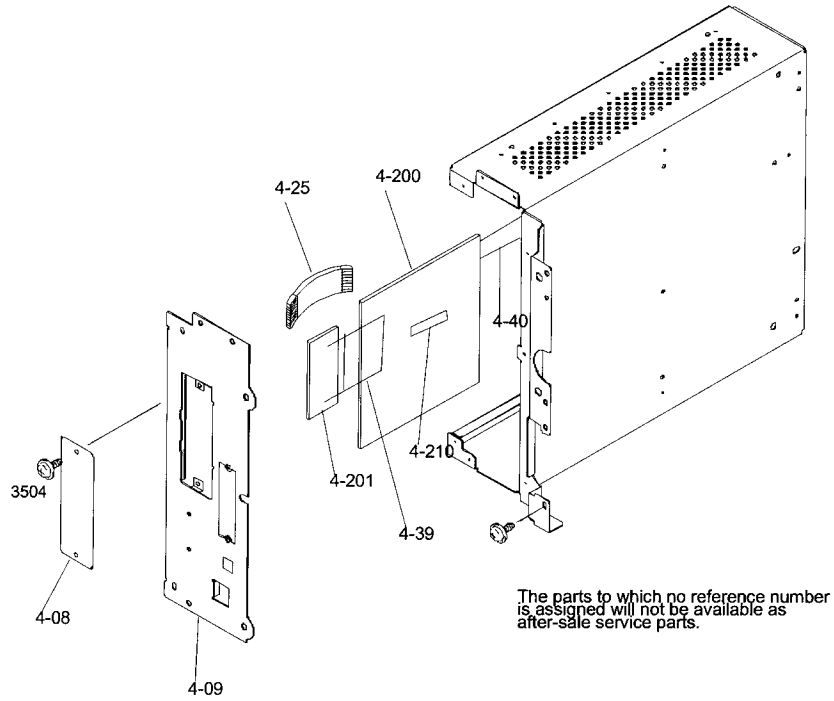


AcuLaser C1000 NO.03

EPSON

ACULASER C1000

Page 12

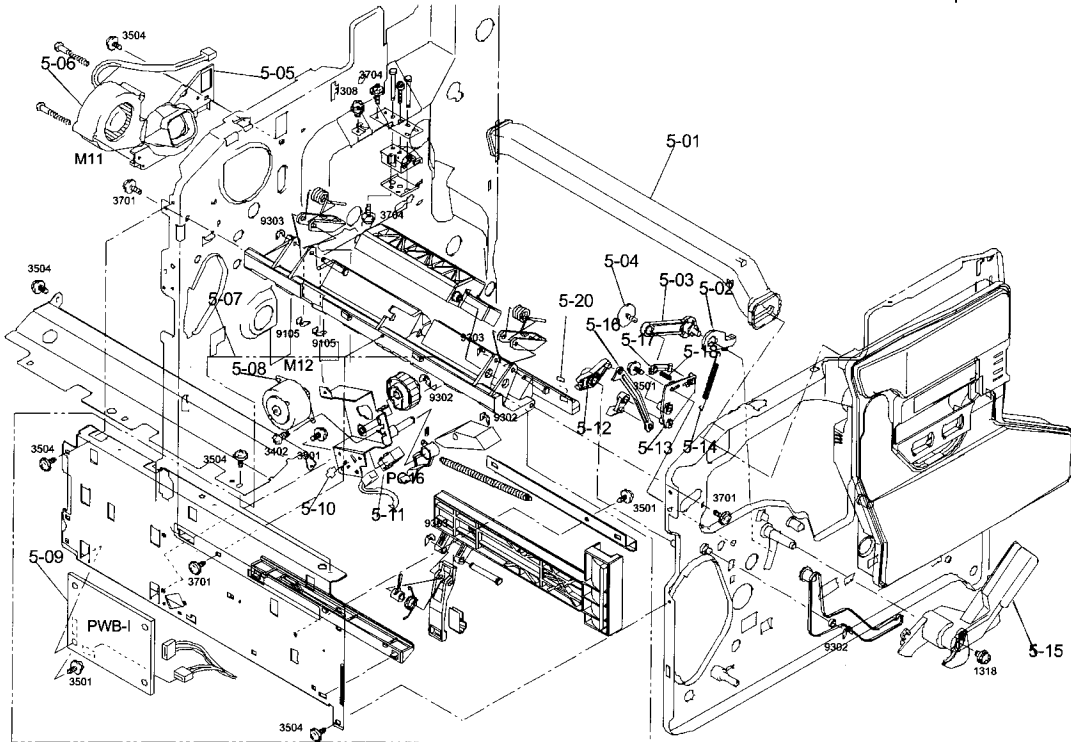


AcuLaser C1000 NO.04-2

EPSON ACULASER C1000

Page 13

The parts to which no reference number is assigned will not be available as after-sale service parts.



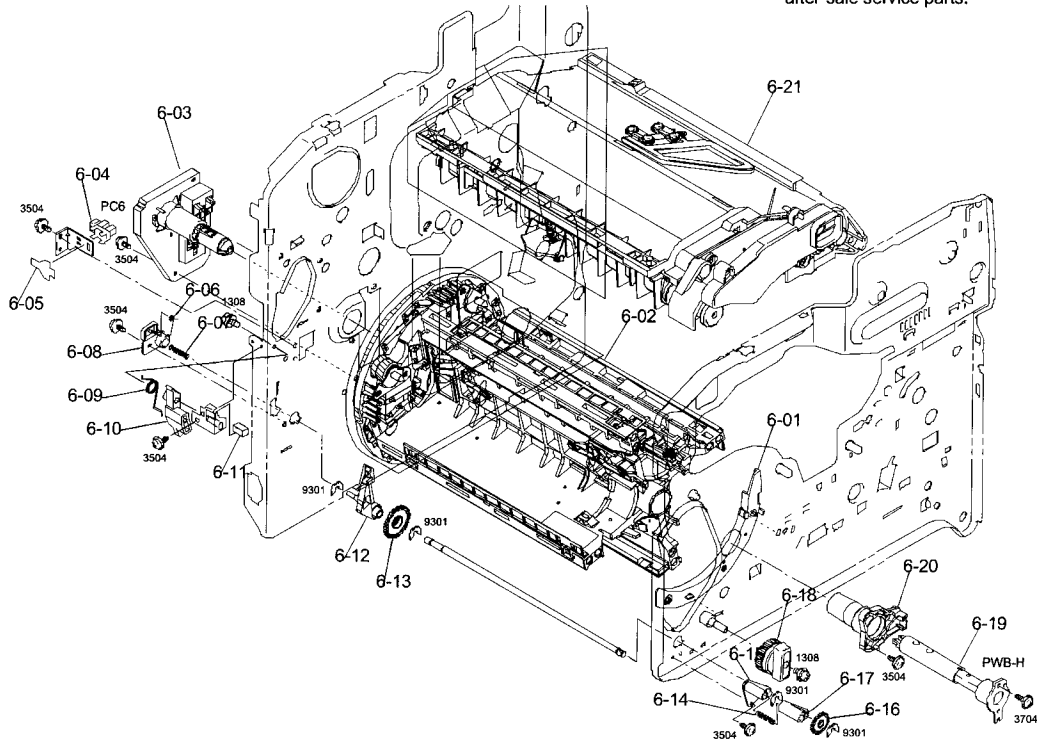
AcuLaser C1000 NO.05 Rev.01 C434

EPSON

ACULASER C1000

Page 14

The parts to which no reference number is assigned will not be available as after-sale service parts.

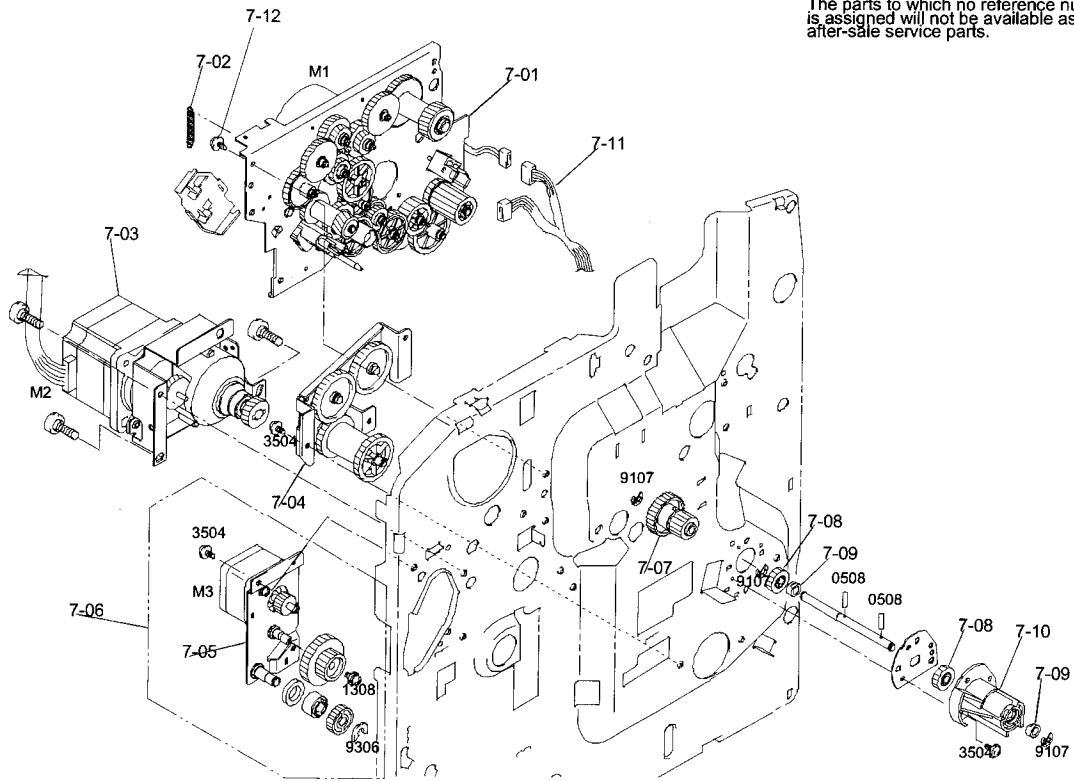


AcuLaser C1000 NO.06

EPSON

ACULASER C1000

Page 15



The parts to which no reference number is assigned will not be available as after-sale service parts.

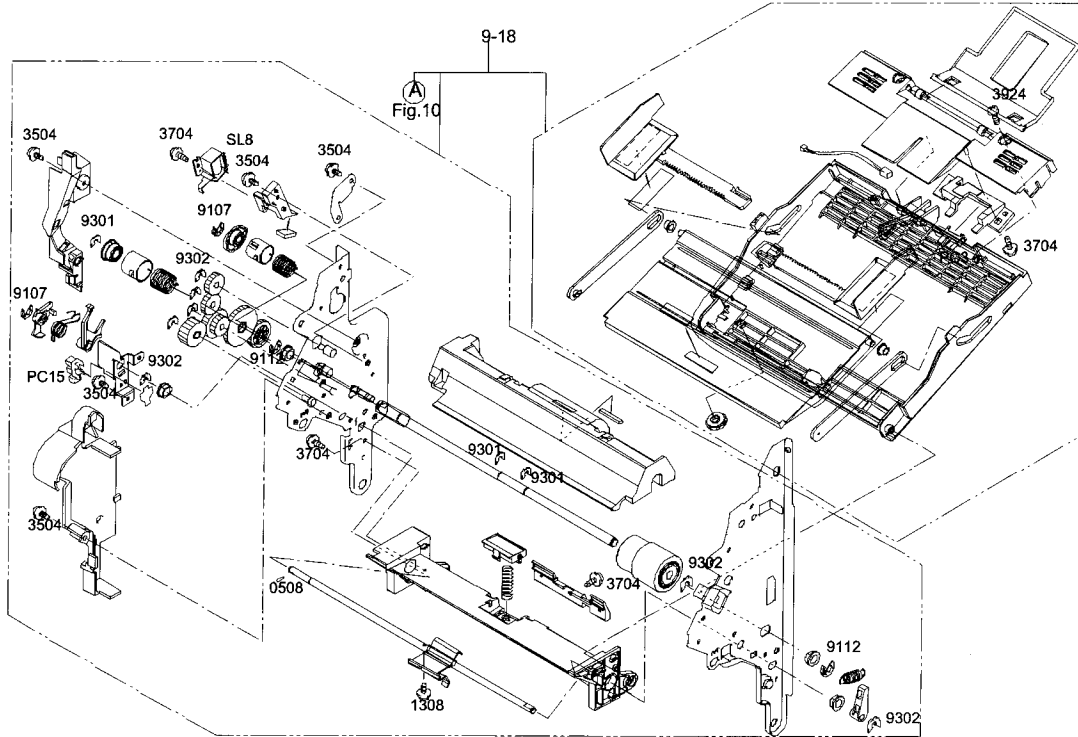
AcuLaser C1000 NO.07

EPSON

ACULASER C1000

Page 17

The parts to which no reference number is assigned will not be available as after-sale service parts.



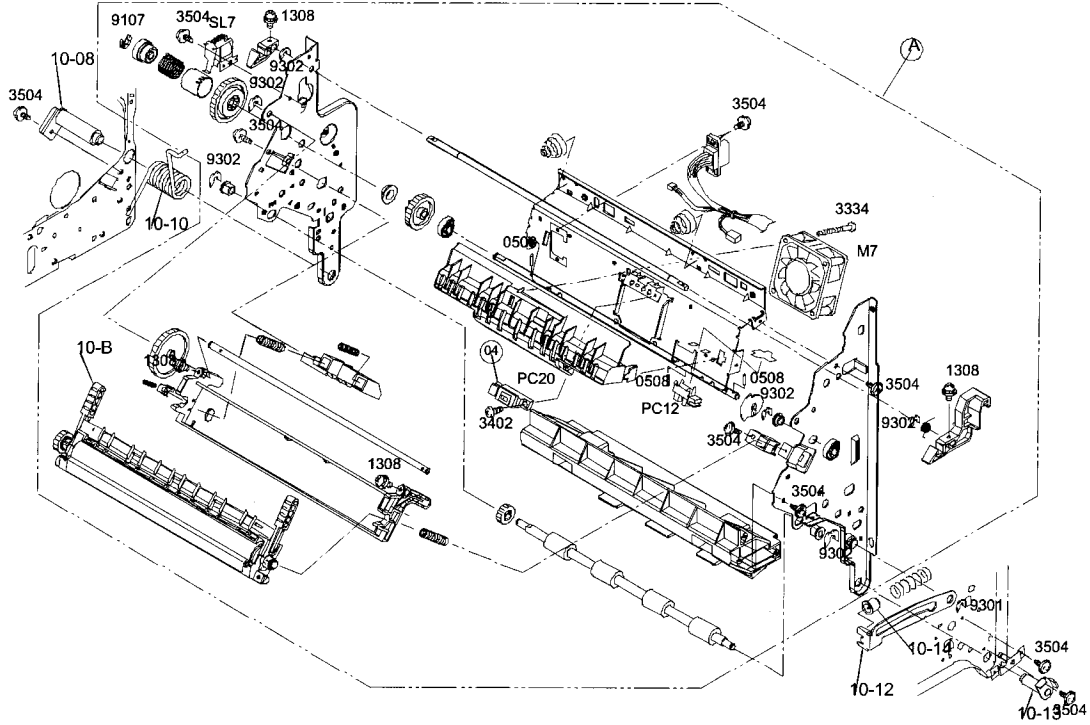
AcuLaser C1000 NO.09

EPSON

ACULASER C1000

Page 18

The parts to which no reference number is assigned will not be available as after-sale service parts.

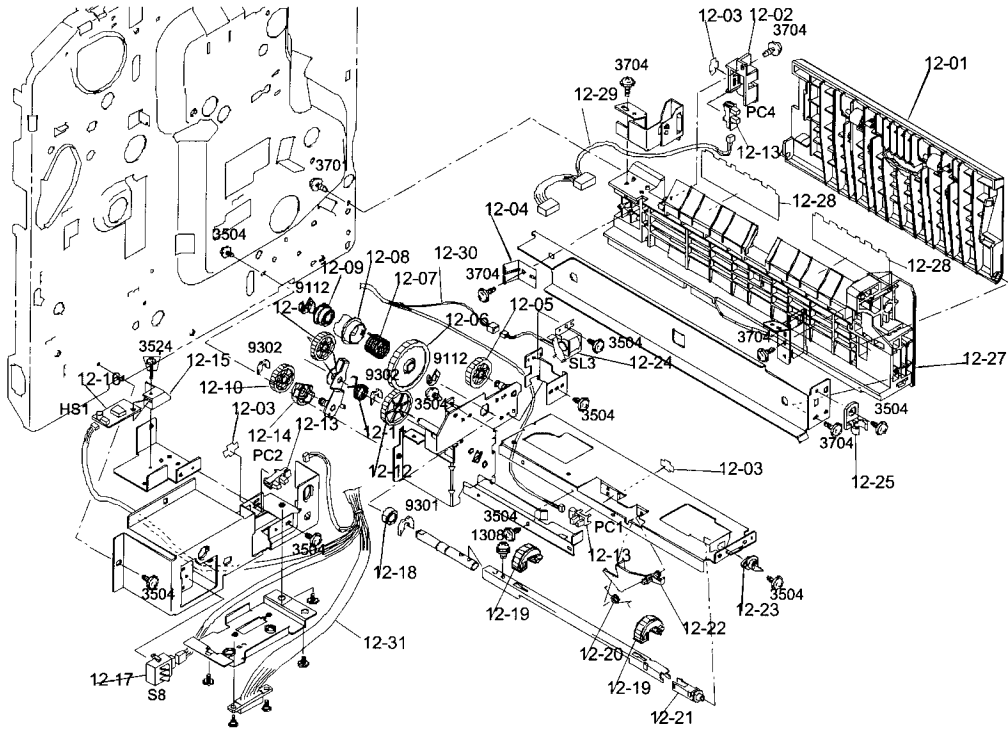


EPSON AcuLaser C1000

EPSON ACULASER C1000

Page 20

The parts to which no reference number is assigned will not be available as after-sale service parts.

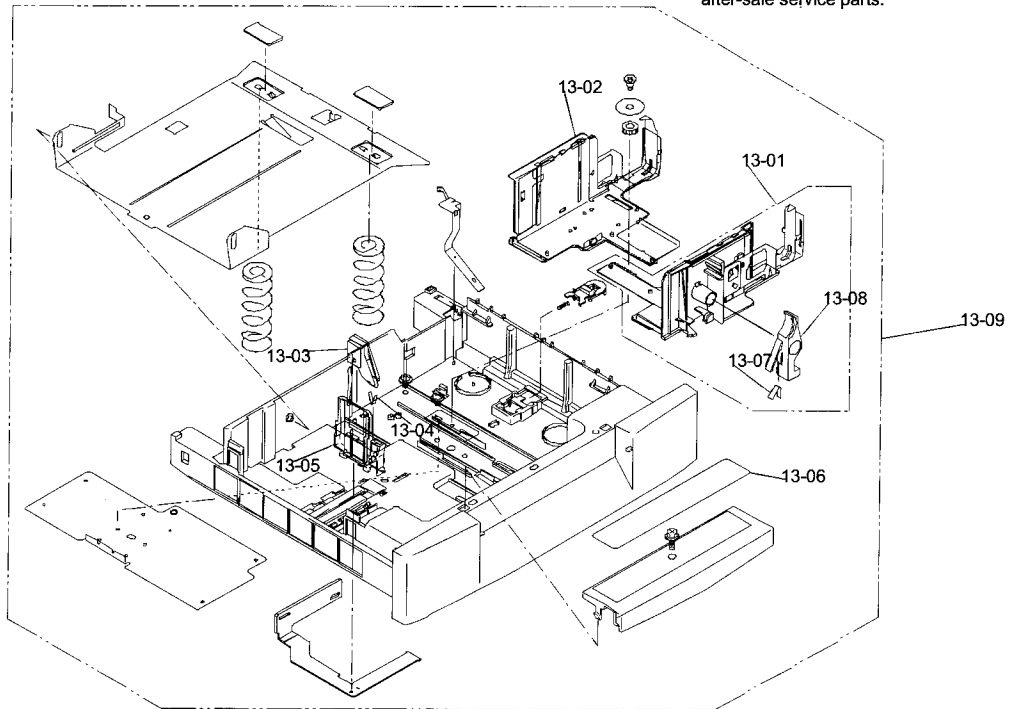


AcuLaser C1000 NO.12

EPSON ACULASER C1000

Page 21

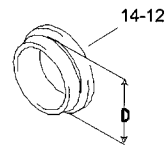
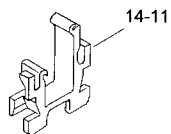
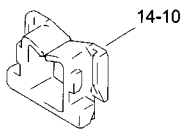
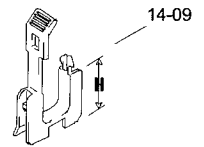
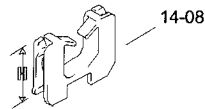
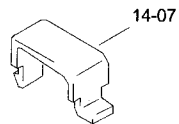
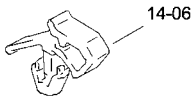
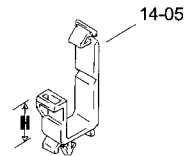
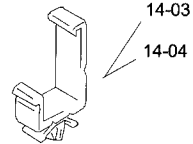
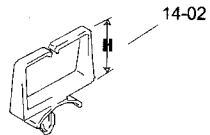
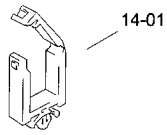
The parts to which no reference number is assigned will not be available as after-sale service parts.



AcuLaser C1000 NO.13 Rev.01 C434

EPSON ACULASER C1000

Page 22



AcuLaser C1000 NO.14