

# 8

# Parts and diagrams

## Chapter contents

Introduction . . . . .	475
Ordering parts . . . . .	475
Customer support information . . . . .	475
Terminology . . . . .	476
Unique parts . . . . .	476
Kits, supplies, accessories, exchange parts, and documentation . . . . .	479
Hardware identification . . . . .	483
Illustrations and parts lists . . . . .	484
External covers and panels . . . . .	484
Left cover assembly . . . . .	488
Right door assembly . . . . .	489
Internal components (1 of 9) . . . . .	490
Internal components (2 of 9) . . . . .	492
Internal components (3 of 9) . . . . .	494
Internal components (4 of 9) . . . . .	496
Internal components (5 of 9) . . . . .	498
Internal components (6 of 9) . . . . .	500
Internal components (7 of 9) . . . . .	502
Internal components (8 of 9) . . . . .	504
Internal components (9 of 9) . . . . .	506
Registration drive assembly . . . . .	508
Process cartridge drive assembly (image drum drive) . . . . .	509
Toner cartridge drive assembly (print cartridge drive) . . . . .	510
Fuser drive assembly . . . . .	512
Cassette assembly . . . . .	514
Paper pickup assembly (1 of 3) . . . . .	516
Paper pickup assembly (2 of 3) . . . . .	518
Paper pickup assembly (3 of 3) . . . . .	520
Manual feed pickup assembly (tray 1) (1 of 2) . . . . .	522
Manual feed pickup assembly (tray 1) (2 of 2) . . . . .	524
Registration assembly . . . . .	526
Secondary transfer assembly (T2) (1 of 2) . . . . .	528
Secondary transfer assembly (T2) (2 of 2) . . . . .	530
Delivery feed assembly . . . . .	531
Face down delivery assembly . . . . .	532
Delivery cover assembly . . . . .	533
Fuser assembly . . . . .	534
PCB assemblies . . . . .	535

Tray 4 . . . . .	536
Tray 4 main body . . . . .	536
Tray 4 drive assembly . . . . .	540
Tray 4 PCA location . . . . .	541
Pedestal . . . . .	542
Pedestal main body (1 of 2) . . . . .	542
Pedestal main body (2 of 2) . . . . .	543
Master parts lists . . . . .	544
Alphabetical parts list . . . . .	544
Numerical parts list . . . . .	550

# Introduction

---

**Note**

This chapter describes assemblies and components for the HP color LaserJet 9500 printer and the print engine portion of the HP color LaserJet 9500mfp. See the *HP Scanner/ADF Service Manual for the HP LaserJet 9000mfp/9000Lmfp/9040mfp/9050mfp/9500mfp* (PN C8549-90955) for assembly illustrations and part numbers for components that are unique to the MFP.

The figures in this chapter illustrate the major subassemblies in the printer and the MFP print engine as well as their component parts. Parts shown in magenta are field replaceable units (FRUs). A table accompanies each exploded-view diagram. Each table lists the item number for represented parts, the associated part number for the item (if it can be ordered), the quantity, and a description of the part. Parts that are listed as not orderable are available by ordering the higher-level assembly or FRU.

---

**Note**

When looking for an electrical part, pay careful attention to the voltage listed in the description column to ensure that the part number selected is for the correct printer model.

## Ordering parts

All standard part numbers listed are stocked and can be ordered from HP's Customer Services and Support Organization. The following website allows you to search for HP product parts using the HP product name or model number, part number, or by choosing an HP product from a list.

[www.partsurfer.hp.com](http://www.partsurfer.hp.com)

To order parts, go to

[www.hp.com/buyparts](http://www.hp.com/buyparts)

Consumables and accessories like those listed in table 84 can be ordered from Hewlett-Packard.

Supplies, accessories, and consumables can be ordered from the following websites:

- North America: [www.hp.com/sbso/product/supplies](http://www.hp.com/sbso/product/supplies)
- Canada: [www.hp.ca/catalog/supplies](http://www.hp.ca/catalog/supplies)
- Europe: [www.hp.com/go/supplies](http://www.hp.com/go/supplies)
- Asia Pacific: [www.hp.com/paper](http://www.hp.com/paper)

## Customer support information

Before visiting the printer support website (URL: [www.hp.com/support/lj9500](http://www.hp.com/support/lj9500)) or the Customer Services and Support Organization (URLs listed above), obtain the following information and print the specified diagnostic pages.

- Printer model-found on the upper-right corner of the front doors of the printer.
- Serial number-found inside the front doors, in the lower-right corner.
- Configuration page, EIO Jetdirect card page, event log.

## Terminology

**Table 80. Term decoder**

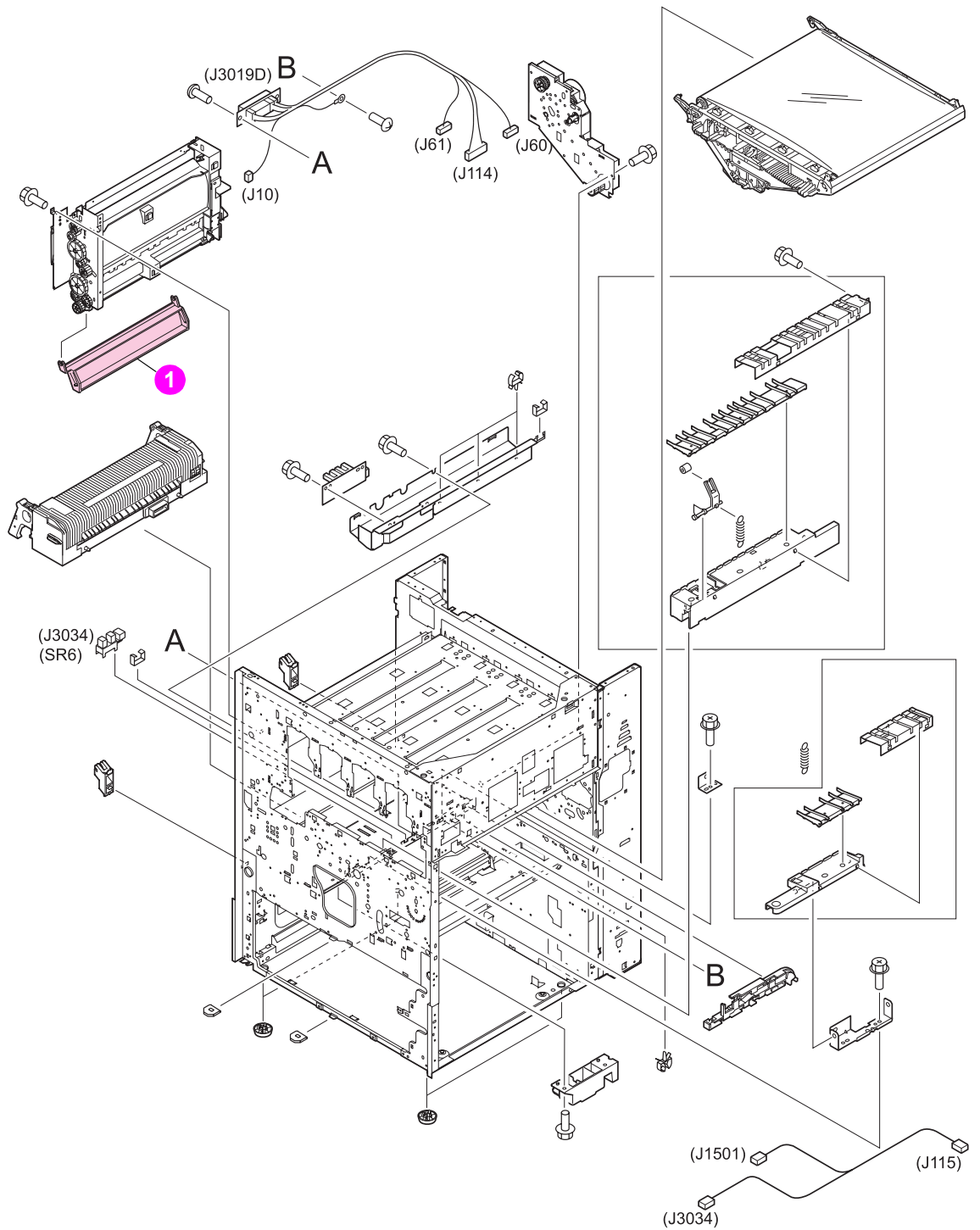
HP term	Parts listing	Definition
Image drum	P-crg	Process cartridge (carrier, OPC, charge roller, developer sleeve)
Print cartridge	T-crg	Toner cartridge
Toner collection bottle	Waste toner bottle assembly	Receptacle for waste toner from EP process
Image transfer roller	Transfer roller assembly	Secondary transfer roller (T2)
Image transfer belt	Intermediate transfer belt (ITB) assembly	Image transfer belt (ITB)
Post charger	Not orderable (part of the ITB)	Corona wire to facilitate secondary transfer
Transfer cleaner	ITB cleaner assembly	ITB cleaning blade

## Unique parts

Some parts are unique to the HP CLJ 9500 printer or to the HP CLJ 9500mfp. Use table 81 to determine if the part required is unique to the printer model being serviced.

**Table 81. Parts that are unique to the HP color LaserJet 9500 or 9500mfp**

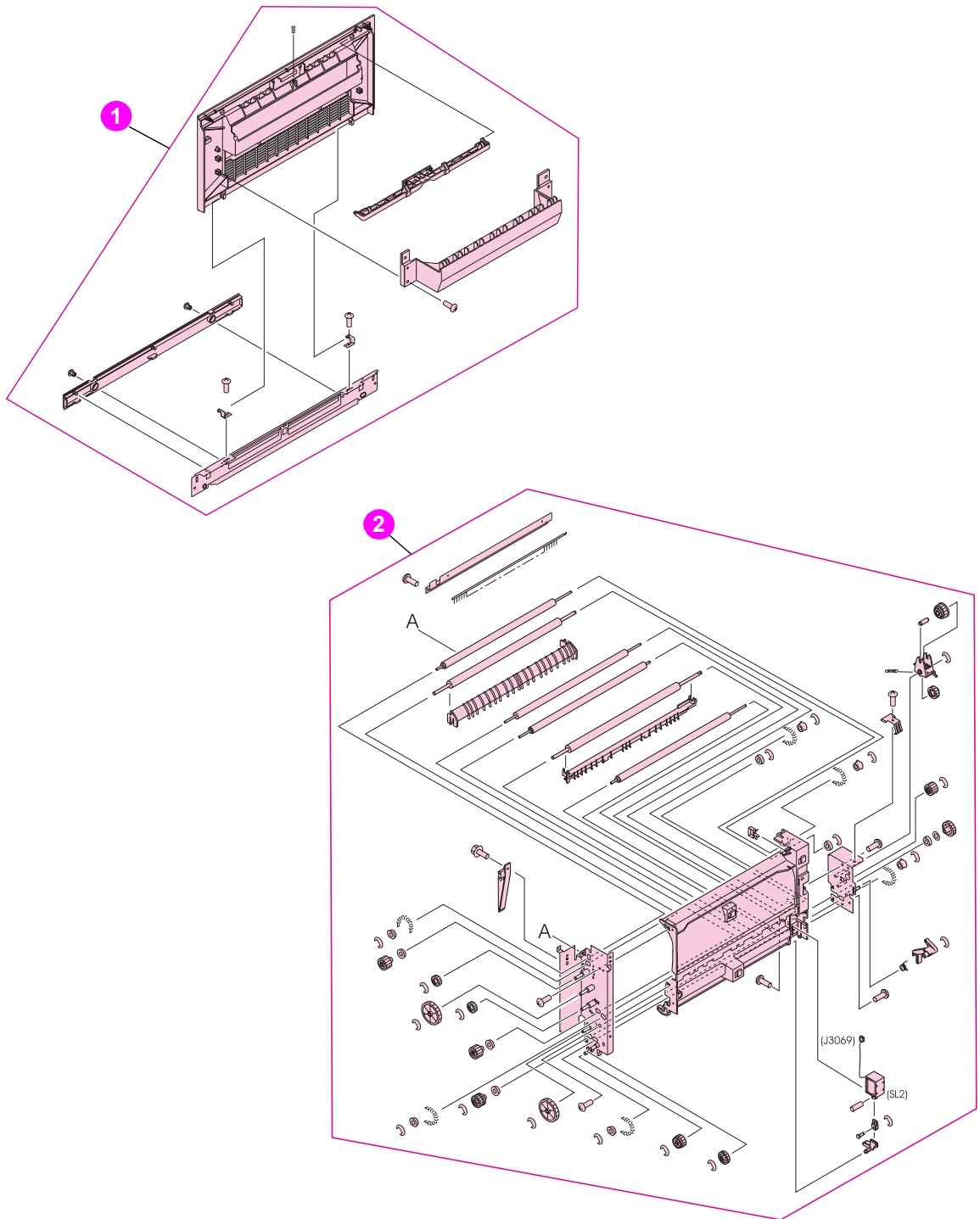
Ref	Description	Part number	Qty.
Figure 312; 1	Cover, left upper (HP CLJ 9500 only)	RB2-7336-000CN	1
Figure 312; 24	Tray, face-up delivery (HP CLJ 9500 only)	RB2-5690-000CN	1
Figure 313; 12	Tray, delivery movable (HP CLJ 9500 only)	RB2-7341-000CN	1
Figure 313; 13	Cover, top right (HP CLJ 9500 only)	RB2-7321-000CN	1
Figure 313; 15	Display, panel assembly (control panel) (HP CLJ 9500 only)	RG5-6115-030CN	1
Figure 313; 15	Display, panel assembly (control panel) (HP CLJ 9500mfp only)	5851-1838	1
Figure 313; 17	Cover, top left assembly (HP LJ 9500 only)	RG5-6112-000CN	1
Figure 339; all	Face-down delivery assembly (use this part number to order the entire assembly) (HP CLJ 9500 only)	RG5-6017-000CN	1
Figure 321; 19	Cable, right upper crossmember (J1701R, J3015D, J3013, J3085) (HP CLJ 9500 only)	RG5-5943-000CN	1
Figure 321; 19	Cable, right upper crossmember (HP CLJ 9500mfp only)	RG5-5974-000CN	1
Figure 324; 19	Cable, rear upper cable (HP CLJ 9500 only)	RG5-5920-000CN	1
Figure 324; 19	Cable, rear upper cable (HP CLJ 9500mfp only)	RG5-5990-000CN	1
Figure 338; all	Delivery feed assembly (use this part number to order the entire assembly; SL2, J3069) (HP CLJ 9500 only)	RG5-6150-000CN	1
Figure 311; 2	Delivery feed assembly (use this part number to order the entire assembly) (HP CLJ 9500mfp only)	RG5-6190-000CN	1
Figure 340; all	Delivery cover assembly (use this part number to order the entire assembly) (HP CLJ 9500 only)	RG5-6151-000CN	1
Figure 311; 1	Delivery cover assembly (use this part number to order the entire assembly) (HP CLJ 9500mfp only)	RG5-6191-000CN	
Figure 340; 2	Fan (HP CLJ 9500 only)	RH7-1546-000CN	2
Figure 310; 1	Guide, feed (HP CLJ 9500mfp only)	RB2-7376-000CN	1
NA	Cable, AC (HP CLJ 9500mfp only)	RG5-5991-000CN	1
NA	Cable, grounding (HP CLJ 9500mfp only)	RG5-5992-000CN	1



**Figure 310.** Parts that are unique to the MFP (1 of 2)

**Table 82.** Parts that are unique to the MFP (1 of 2)

Ref	Description	Part number	Qty
Figure 310; 1	Guide, feed (HP CLJ 9500mfp only)	RB2-7376-000CN	1



**Figure 311.** Parts that are unique to the MFP (2 of 2)

**Table 83.** Parts that are unique to the MFP (2 of 2)

Ref	Description	Part number	Qty
Figure 311; 1	Delivery cover assembly (use this part number to order the entire assembly) (HP CLJ 9500mfp only)		
Figure 311; 2	Delivery feed assembly (use this part number to order the entire assembly) (HP CLJ 9500mfp only)		

## Kits, supplies, accessories, exchange parts, and documentation

### Note

If item does not have a product number, use the service-part number to order that item.

**Table 84. Kits and supplies**

Item	Product Number	Service part-number	Description
Print cartridge, black	C8550A	C8550-67901	Replacement print cartridge
Print cartridge, cyan	C8551A	C8551-67901	Replacement print cartridge
Print cartridge, yellow	C8552A	C8552-67901	Replacement print cartridge
Print cartridge, magenta	C8553A	C8553-67901	Replacement print cartridge
Image drum, black	C8560A	C8560-67901	Replacement image drum
Image drum, cyan	C8561A	C8561-67901	Replacement image drum
Image drum, yellow	C8562A	C8562-67901	Replacement image drum
Image drum, magenta	C8563A	C8563-67901	Replacement image drum
Image transfer Kit	C8555A	C8555-67901	One image transfer belt, one image transfer roller, nine paper rollers, and one ozone filter
Image cleaning kit	C8554A	C8554-67901	One air filter, one transfer cleaner, and one toner collection bottle
Fuser kit	C8556A	RG5-6098-000CN new C8546-69007 exchange	One fuser assembly

**Table 85. Accessories, exchange parts, and documentation**

Item	Product number	Service part-number	Description
Staple cartridge for stapler/stacker	C8091A	C8085-67901	Replacement cartridge
Staple cartridge for multifunction finisher	C8092A	C8088-60541	Replacement cartridge
Intermediate transfer belt (ITB) assembly	No product number	RG5-6400-030CN new C8546-69002 exchange	Entire assembly
Cartridge drive assembly	No product number.	RG5-6188-030CN new C8546-69006 exchange	Entire assembly
Power supply 110 V	No product number	C8546-69003 exchange	PCA assembly
Power supply 220 V	No product number	C8546-69004 exchange	PCA assembly
Formatter assembly (LJ 9500)	No product number	C8546-67911 new C8546-69001 exchange	Does not include memory, firmware, or EIO card
Formatter assembly (LJ9500mfp)	Q5915A	Q5915-67901 new Q5915-69001 exchange	Does not include memory, firmware, or EIO card
DC controller	No product number	C8546-67906 new C8546-69005 exchange	PCA
16 MB DIMM	C9712CA	C9712-67907	Flash firmware DIMM for formatter
Control panel overlay	No product number	C8546-40002 (LJ9500) Q3726-60105 (LJ 9500mfp)	English
Control panel overlay	No product number	C8546-40003 (LJ9500) Q3726-60106 (LJ 9500mfp)	French (European)

**Table 85. Accessories, exchange parts, and documentation (continued)**

<b>Item</b>	<b>Product number</b>	<b>Service part-number</b>	<b>Description</b>
Control panel overlay	No product number	C8546-40004 (LJ9500) Q3726-60107 (LJ 9500mfp)	Italian
Control panel overlay	No product number	C8546-40005 (LJ 9500) Q3726-60108 (LJ 9500mfp)	German
Control panel overlay	No product number	C8546-40006 LJ(9500) Q3726-60109 (LJ 9500mfp)	Spanish (Castilian)
Control panel overlay	No product number	C8546-40007 (9500) Q3726-60110 (LJ 9500mfp)	Dutch
Control panel overlay	No product number	C8546-40008 (LJ 9500) Q3726-60111 (LJ 9500mfp)	Portuguese (Brazilian)
Control panel overlay	No product number	C8546-40009 (LJ 9500) Q3726-60112 (LJ 9500mfp)	Norwegian
Control panel overlay	No product number	C8546-40010 (LJ 9500) Q3726-60113 (LJ 9500mfp)	Swedish
Control panel overlay	No product number	C8546-40011 (LJ 9500) Q3726-60114 (LJ 9500mfp)	Finnish
Control panel overlay	No product number	C8546-40012 (LJ 9500) Q3726-60115 (LJ 9500mfp)	Danish
Control panel overlay	No product number	C8546-40013 (LJ 9500) Q3726-60116 (LJ 9500mfp)	Polish
Control panel overlay	No product number	C8546-40014 (LJ 9500) Q3726-60117 (LJ 9500mfp)	Russian
Control panel overlay	No product number	C8546-40015 (LJ 9500) Q3726-60118 (LJ 9500mfp)	Czech
Control panel overlay	No product number	C8546-40016 (LJ 9500) Q3726-60119 (LJ 9500mfp)	Hungarian
Control panel overlay	No product number	C8546-40017 (LJ 9500) Q3726-60120 (LJ 9500mfp)	Chinese, traditional
Control panel overlay	No product number	C8546-40018 (LJ 9500) Q3726-60121 (LJ 9500mfp)	Chinese, simplified
Control panel overlay	No product number	C8546-40019 (LJ 9500) Q3726-60122 (LJ 9500mfp)	Korean
Control panel overlay	No product number	C8546-40020 (LJ 9500) Q3726-60123 (LJ 9500mfp)	Japanese
Control panel overlay	No product number	C8546-40021 (LJ 9500) Q3726-60124 (LJ 9500mfp)	Turkish
Control panel overlay	No product number	C8546-40022 (LJ 9500) Q3726-60125 (LJ 9500mfp)	Hebrew
Control panel overlay	No product number	C8546-40023 (LJ 9500) Q3726-60126 (LJ 9500mfp)	Greek
Control panel overlay	No product number	C8546-40024 (LJ 9500) Q3726-60127 (LJ 9500mfp)	Arabic
Control panel overlay	No product number	Q3726-60123 (LJ 9500mfp)	Thai
64MB DIMM	C7848A	Q1887-67901	Memory DIMM
128 DIMM	C7850A	C7850-67901	Memory DIMM
256 MB DIMM	C9653A	C9653-67901	Memory DIMM
Firmware DIMM	C9712A	C9712-67912	Firmware DIMM
Font DIMM—simplified Chinese	C4293A	5184-5248	Font DIMM
Font DIMM—traditional Chinese	C4292A	5184-5247	Font DIMM



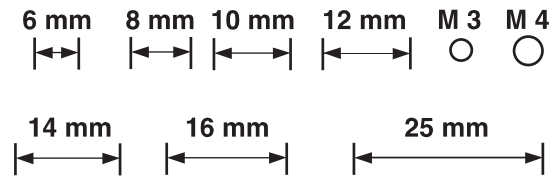
**Table 85. Accessories, exchange parts, and documentation (continued)**

Item	Product number	Service part-number	Description
HP Fast InfaRed Connect Pod	C4103A	C4103-67901	Wireless printing device
Hard disk	J6073A	J6073-69001 J6073-61011	20 GB hard drive 20 GB hard drive kit
HP Jetdirect 615N Fast Ethernet (10/100 Base-TX) (LJ9500)	No product number	J6057-69001	Ethernet EIO card
HP Jetdirect 620 Fast Ethernet (10/100 Base-TX) (LJ 9500mfp)	No product number.	J7934-60013	Ethernet EIO card
PCA Fax modem card (LJ 9500mfp)	No product number.	Q3701-60001	Fax
HP Jetdirect Connectivity (USB)	J4135A	J4135-61001	USB EIO card
2,000-sheet feeder for the LJ 9500 (tray 4)	C8531A	C8531-67902 new C8531-69004 exchange	Includes the cassette
2,000-sheet feeder (tray 4) cassette for the LJ 9500	No product number	RG5-6212-230CN new C8531-69011 exchange	Cassette only
3,000-sheet stacker	C8084A	Not orderable	Finishing device
3,000-sheet stapler/stacker	C8085A	Not orderable	Finishing device
Multifunction finisher	C8088A	C8088-60500 new C8088-69500 exchange	Finishing device
Duplexer	C9674A	C9674-67901 new C9674-69001 exchange	Required for two-sided printing
Pedestal (LJ9500n/9500mfp)	No product number	C8546-67909 new C8546-69008 exchange	Stand with casters.
2,000-sheet side-input feeder tray 4 for the LJ 9500mfp only	No product number	Q1891-67901 new C8549-69001 exchange	High capacity tray.
Discharge comb cleaning brush	No product number.	RB2-7615-000CN	Used to clean the transfer cleaner corona wire
Power cord	No product number	8120-6812 (LJ 9500) 8120-8706 (LJ 9500mfp)	United States
Power cord	No product number	5181-3530	Mexico, Brazil, Canada (FR/EN)
Power cord	No product number	8120-6811 (LJ 9500) 8120-6811 (LJ 9500mfp)	Germany, Spain, France, Netherlands, Norway, Sweden, Finland, Italy, Russia, Czech Republic, Hungary, Poland, Saudi Arabia, Korea, Greece, Turkey, Portugal
Power cord	No product number	8120-6800 (LJ 9500) 8120-6800 (LJ 9500mfp)	Israel
Power cord	No product number	8121-0780	India
Power cord jumper	No product number	C8546-60104	Required for the LJ 9500mfp.
Copy connect cable (scanner) (LJ 9500mfp)	No product number	C8549-60105	38 inch cable
Copy connect EIO (LJ 9500mfp)	No product number	5851-1958	Enhanced input output PCA
Copy connect board assembly (LJ 9500mfp)	No product number	Q3650-60001	PCA-LVDS adapter
Service manual bundle	No product number	C8549-99001	Printer, finishing devices and side-input tray 4.

**Table 85. Accessories, exchange parts, and documentation (continued)**

<b>Item</b>	<b>Product number</b>	<b>Service part-number</b>	<b>Description</b>
Training kit for HP color LaserJet 9500/9500mfp printer	No product number	C8546-60109	CD- based service training materials
User guide	Electronic versions ready to print at: <a href="http://www.hp.com/support/lj9500">www.hp.com/support/lj9500</a>		Mini-manual that goes inside of the right door of the HP color LaserJet 9500 series printer
HP color LaserJet 9500 Series Printer Use guide and User reference guide	Electronic versions ready to print at: <a href="http://www.hp.com/support/lj9500">www.hp.com/support/lj9500</a>		Electronic versions of the user guide and the user reference guide.
HP color LaserJet 9500mfp Printer Use guide and User reference guide	Electronic versions ready to print at: <a href="http://www.hp.com/support/cj9500mfp">www.hp.com/support/cj9500mfp</a>		Electronic versions of the user guide and the user reference guide.

## Hardware identification



**Table 86. Common hardware**

Example	Type and uses
	<ul style="list-style-type: none"> <li>● Long aluminum finish (M3 by 8)               <ul style="list-style-type: none"> <li>• Plastic to sheet metal</li> <li>• Long-reach sheet metal (P-cartridge motor assembly)</li> </ul> </li> <li>● Short brass finish (M3 by 6)               <ul style="list-style-type: none"> <li>• Sheet metal to sheet metal</li> </ul> </li> <li>● Short black finish (M3 by 8)               <ul style="list-style-type: none"> <li>• Laser/scanner assemblies</li> </ul> </li> <li>● Self-threading brass finish (M4)               <ul style="list-style-type: none"> <li>• Sheet metal to plastic</li> </ul> </li> </ul>

**Table 87. Common torque values**

Material	HP recommended torque value
Plastic to metal	5.5 pounds per inch
Metal to metal	10 pounds per inch
PCBA	5.5 pounds per inc.
Plastic to plastic	5.5 pounds per inc.

# Illustrations and parts lists

The following illustration and parts tables show the field replaceable units (FRUs). Two tables at the end of this chapter list all of the parts shown in this chapter. Both tables also contain the figure numbers in this chapter that show the parts.

## Note

Parts shown in magenta are FRUs. Other parts are not service-replaceable. Callout numbers that are followed by a "T" indicate the number of teeth on the specified gear.

## External covers and panels

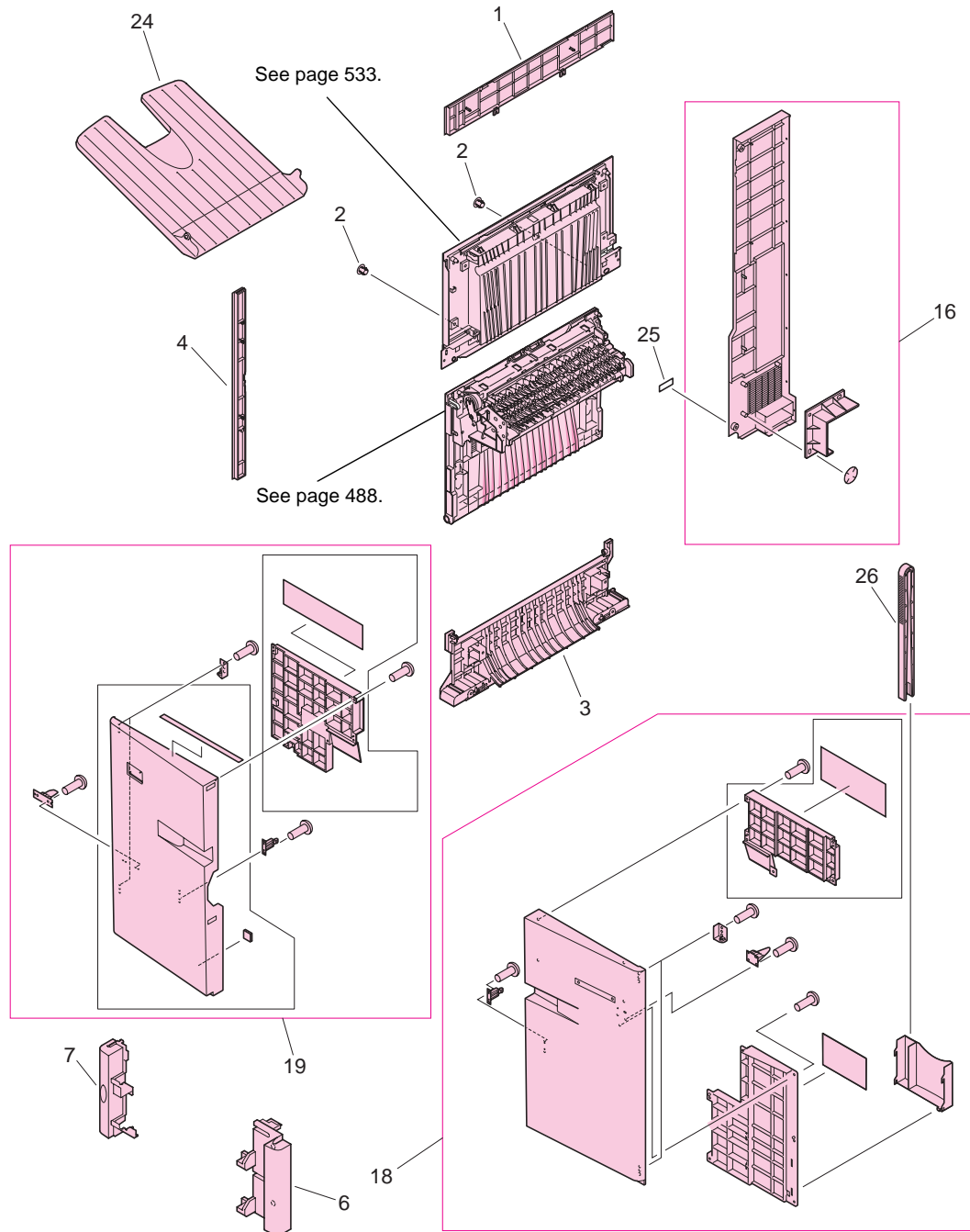
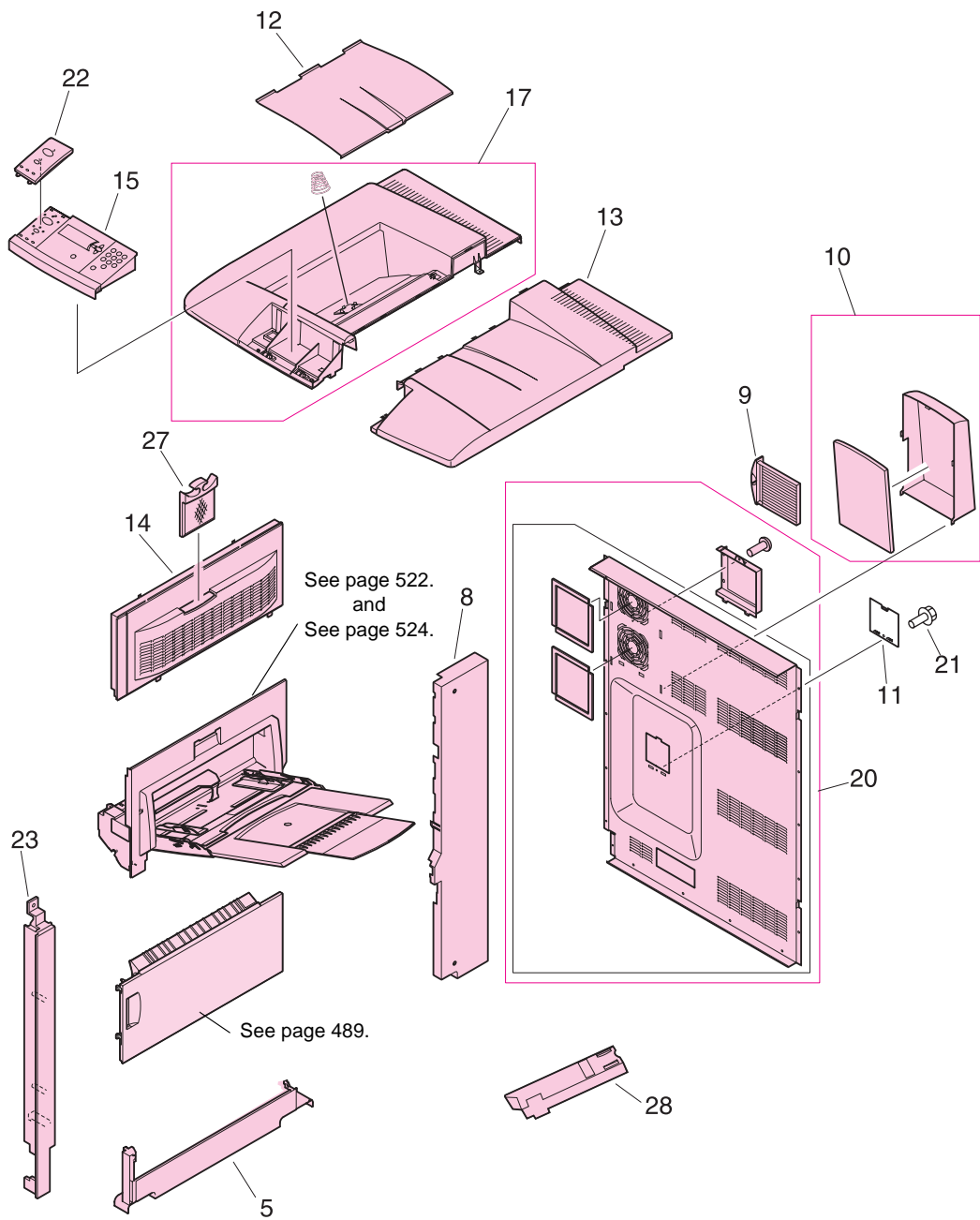


Figure 312. External covers and panels (1 of 2)

**Table 88. External covers and panels (1 of 2)**

<b>Ref</b>	<b>Description</b>	<b>Part number</b>	<b>Qty</b>
Figure 312; 1	Cover, left upper (HP CLJ 9500 only)	RB2-7336-000CN	1
Figure 312; 2	Cap, cover	Not orderable	2
Figure 312; 3	Cover, left lower	RB2-5687-000CN	1
Figure 312; 4	Cover, left front	RB2-7335-000CN	1
Figure 312; 6	Cover, front right	RB2-5682-000CN	1
Figure 312; 7	Cover, front left	RB2-5683-000CN	1
Figure 312; 16	Cover, left back assembly	RG5-6111-000CN	1
Figure 312; 18	Door, front right assembly	RG5-6113-000CN	1
Figure 312; 19	Door, front left assembly	RG5-6114-020CN	1
Figure 312; 24	Tray, face-up delivery (HP CLJ 9500 only)	RB2-5690-000CN	1
Figure 312; 25	Label, outlet 110 V	Not orderable	1
	Label, outlet 220 V	Not orderable	1
Figure 312; 26	Tongs, jam removal	RF5-3535-000CN	1

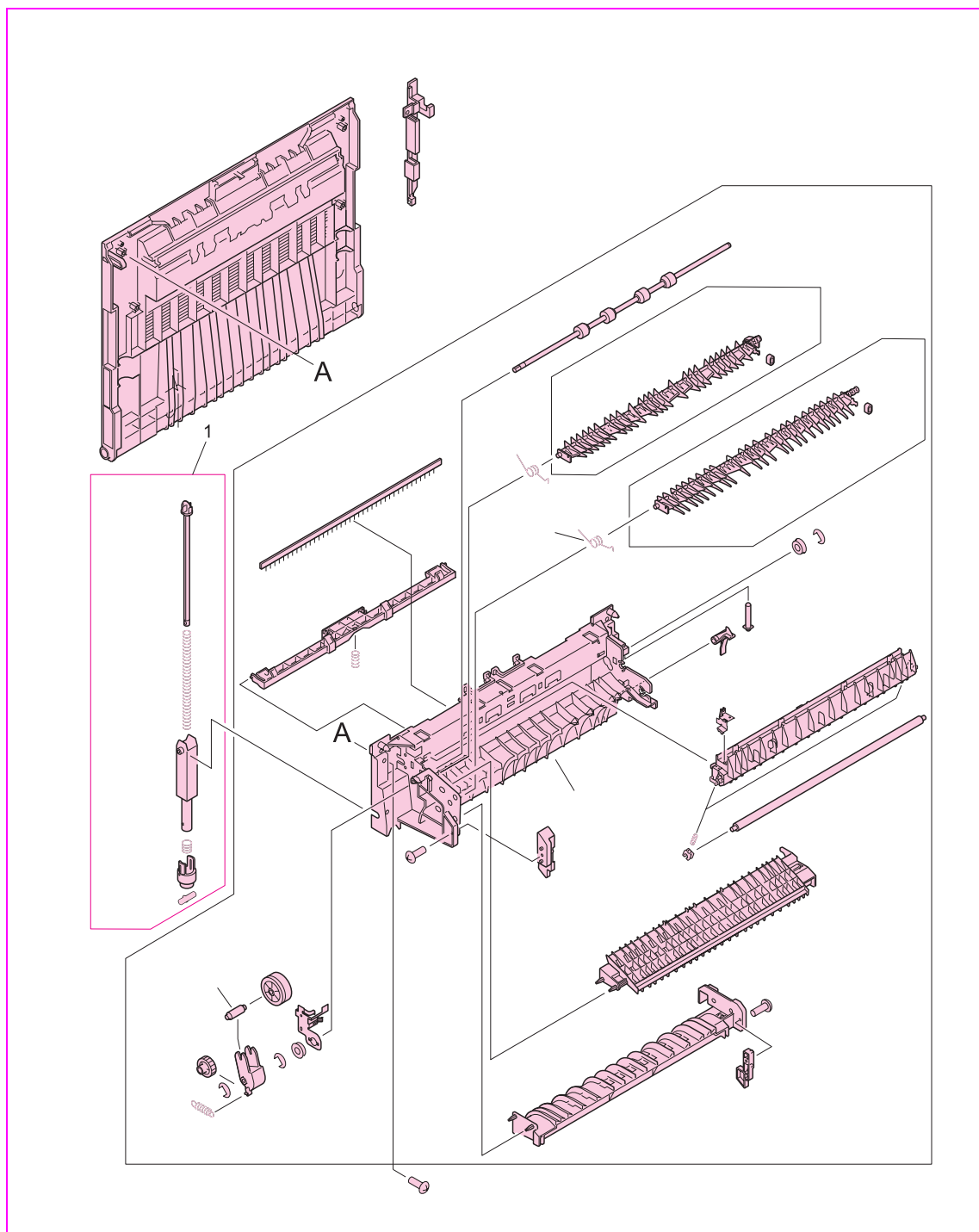


**Figure 313.** External covers and panels (2 of 2)

**Table 89. External covers and panels (2 of 2)**

Ref	Description	Part number	Qty
Figure 313; 5	Cover, right lower	RB2-5689-000CN	1
Figure 313; 8	Cover, right back	RB2-7352-000CN	1
Figure 313; 9	Filter, air	RB2-7170-000CN	1
Figure 313; 10	Hood, fan	RF5-3555-000CN	1
Figure 313; 11	Cover, blanking	Not orderable	1
Figure 313; 12	Tray, delivery movable (HP CLJ 9500 only)	RB2-7341-000CN	1
Figure 313; 13	Cover, top right (HP CLJ 9500 only)	RB2-7321-000CN	1
Figure 313; 14	Cover, right upper	RB2-7332-000CN	1
Figure 313; 15	Display, panel assembly (control panel) (CLJ 9500)	RG5-6115-030CN	1
Figure 313; NA	Display, panel assembly (control panel) (CLJ 9500mfp not shown)	5851-1838	1
Figure 313; 17	Cover, top left assembly (HP LJ 9500 only)	RG5-6112-000CN	1
Figure 313; 20	Cover, rear assembly	RG5-6042-000CN	1
Figure 313; 21	Screw, RS M3X8	Not orderable	1
Figure 313; 22	Control panel overlay	See table 85 on page 479.	1
Figure 313; 23	Cover, right front	RB2-7331-000CN	1
Figure 313; 27	Filter, ozone	RB2-7206-000CN	1

## Left cover assembly



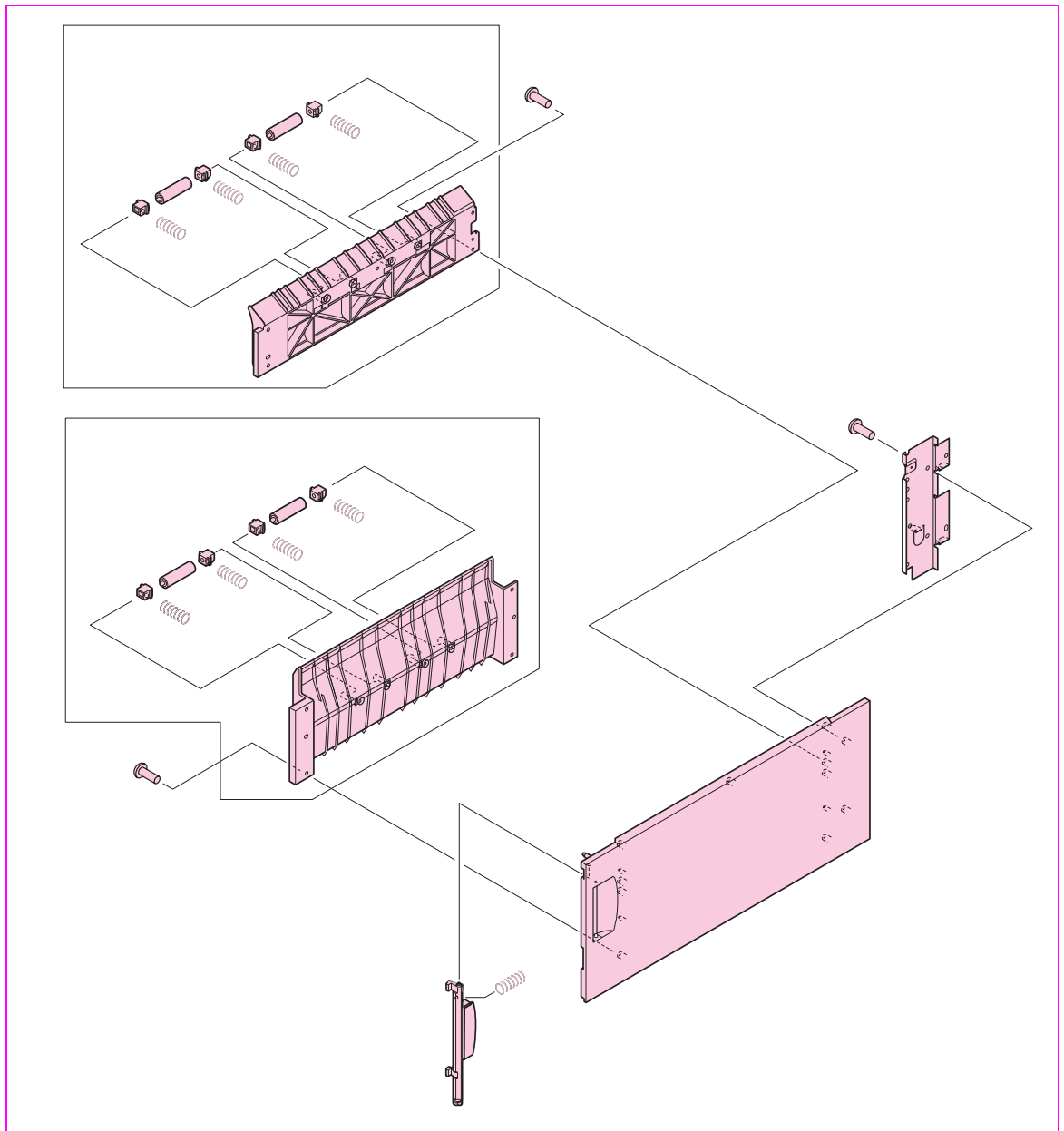
**Figure 314.** Left cover assembly

**Table 90.** Left cover assembly

Ref	Description	Part number	Qty
Figure 314; all	Cover, left assembly	RG5-6149-000CN	1
Figure 314; 1	Dampener, left cover assembly	RG5-6185-000CN	1



## Right door assembly

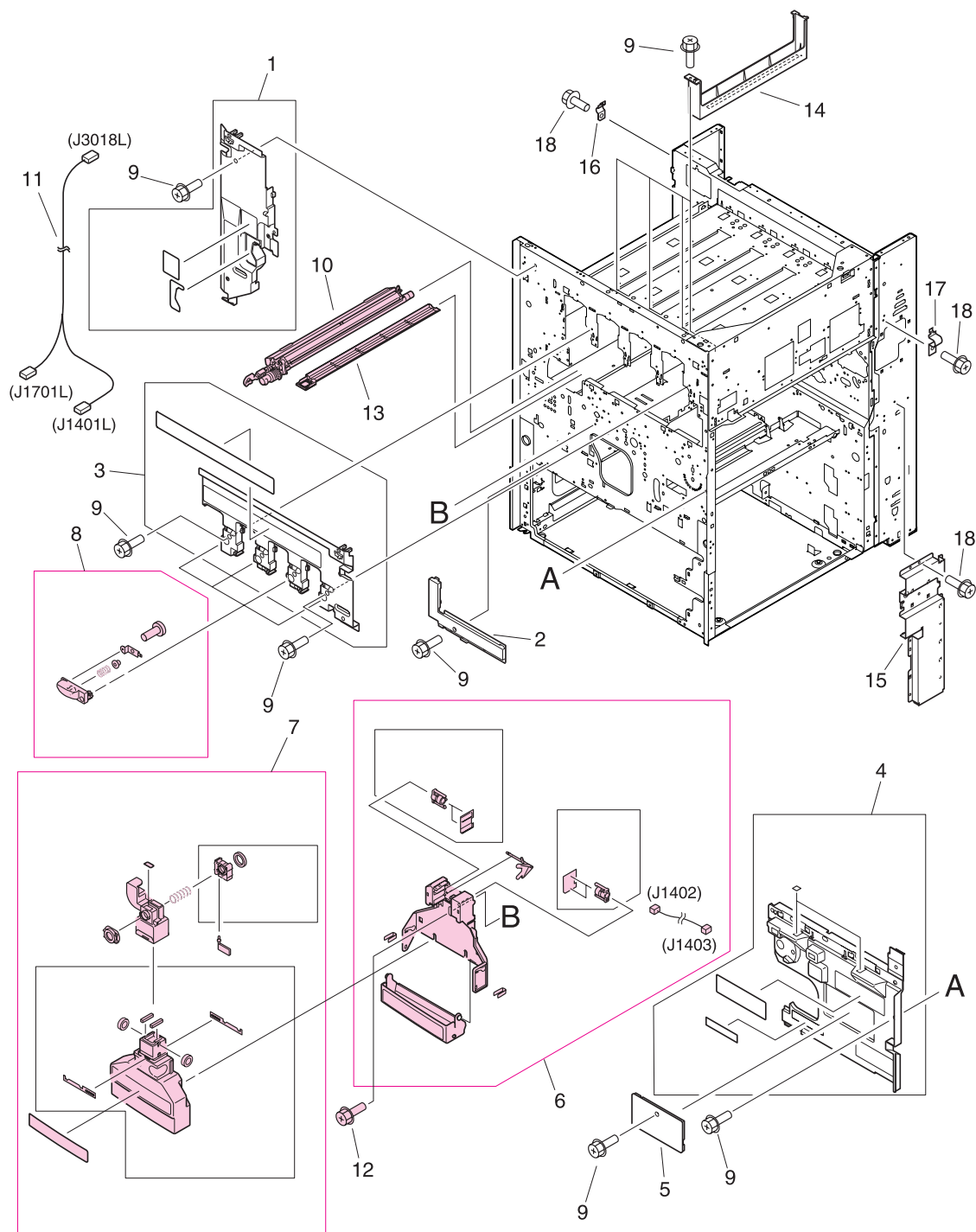


**Figure 315.** Right door assembly

**Table 91.** Right door assembly

Ref	Description	Part number	Qty
Figure 315; all	Door, right assembly	RG5-6108-000CN	1

## Internal components (1 of 9)

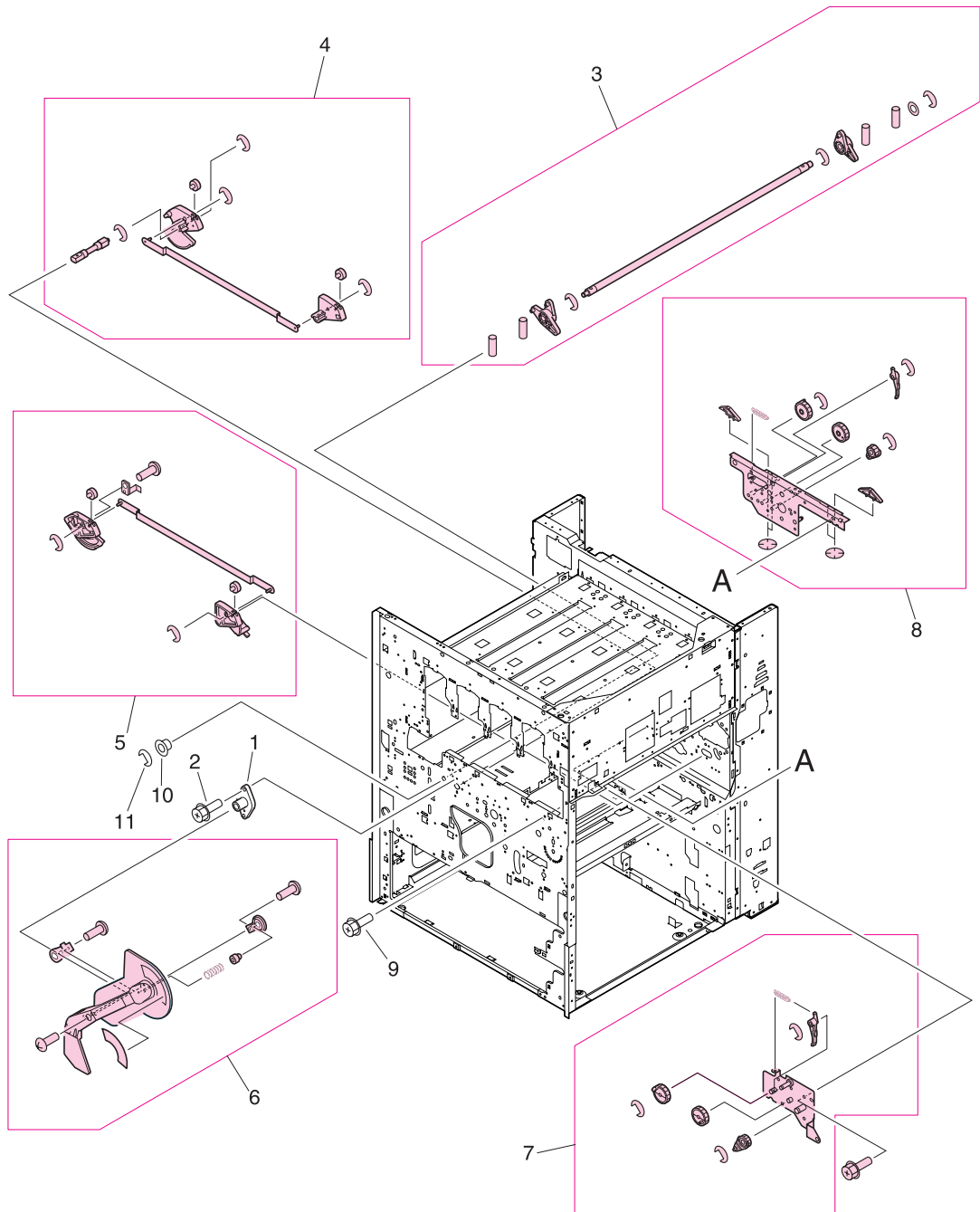


**Figure 316.** Internal components (1 of 9)

**Table 92. Internal components (1 of 9)**

<b>Ref</b>	<b>Description</b>	<b>Part number</b>	<b>Qty</b>
Figure 316; 1	Cover, inner left upper	Not orderable	1
Figure 316; 2	Cover, inner left lower	Not orderable	1
Figure 316; 3	Cover, inner right upper	Not orderable	1
Figure 316; 4	Cover, inner right lower assembly	Not orderable	1
Figure 316; 5	Cover, inner	Not orderable	1
Figure 316; 6	Waste toner sensor assembly (J1402, J1403)	RG5-6038-000CN	1
Figure 316; 7	Waste toner bottle assembly	RG5-6040-020CN	1
Figure 316; 8	Toner cartridge lever assembly	RG5-6121-000CN	4
Figure 316; 9	Screw, RS M3X8	Not orderable	11
Figure 316; 10	ITB cleaner assembly	RG5-6041-040CN	1
Figure 316; 11	Waste toner connecting cable (J1701L, J3018L)	Not orderable	1
Figure 316; 12	Screw, M4X6	Not orderable	1
Figure 316; 13	Tray, catch	RB2-7207-000CN	1
Figure 316; 14	Cover, scanner	Not orderable	1
Figure 316; 15	Cover, pickup cable	Not orderable	1
Figure 316; 16	Cable, support left	Not orderable	1
Figure 316; 17	Cable support right	Not orderable	1
Figure 316; 18	Screw, RS M3X6	Not orderable	5

## Internal components (2 of 9)

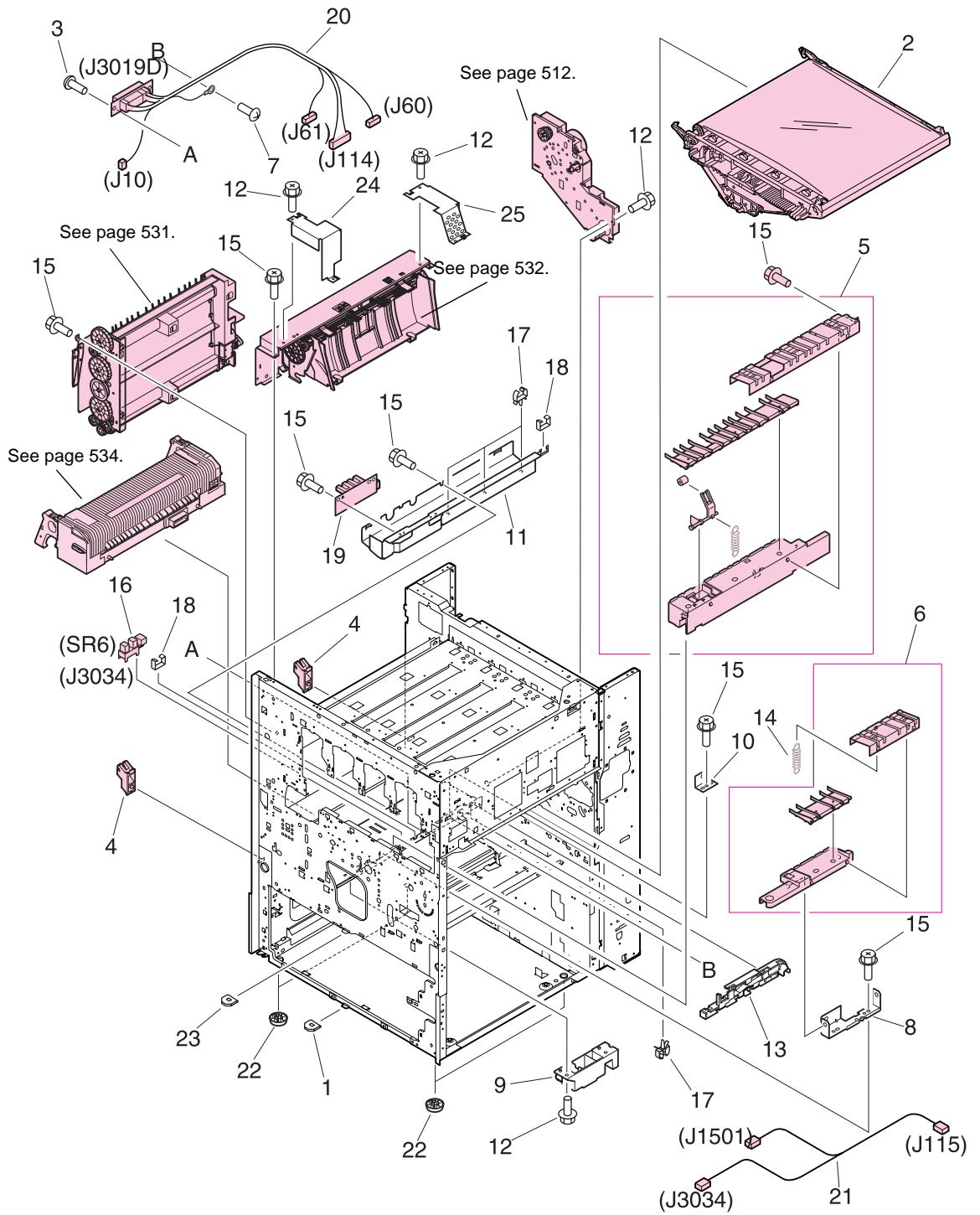


**Figure 317.** Internal components (2 of 9)

**Table 93. Internal components (2 of 9)**

<b>Ref</b>	<b>Description</b>	<b>Part number</b>	<b>Qty</b>
Figure 317; 1	Plate, mount	Not orderable	1
Figure 317; 2	Screw, RS M3X12	Not orderable	2
Figure 317; 3	Soft link shaft assembly	RG5-6122-000CN	1
Figure 317; 4	Lift link front assembly	RG5-6131-000CN	1
Figure 317; 5	Lift link rear assembly	RG5-6132-000CN	1
Figure 317; 6	Lever assembly	RG5-6134-020CN	1
Figure 317; 7	Link rear unit	RG5-6147-000CN	1
Figure 317; 8	Transfer link front assembly	RG5-6146-000CN	1
Figure 317; 9	Screw, RS M3X6	Not orderable	11
Figure 317; 10	Bushing	Not orderable	1
Figure 317; 11	Ring, E	Not orderable	1

## Internal components (3 of 9)



**Figure 318.** Internal components (3 of 9)

**Table 94. Internal components (3 of 9)**

Ref	Description	Part number	Qty
Figure 318; 1	Mount, positioning	Not orderable	1
Figure 318; 2	Intermediate transfer belt (ITB) assembly	RG5-6180-080CN new C8546-69002 exchange	1
Figure 318; 3	Screw, TP M4X8	Not orderable	2
Figure 318; 4	Mount, dampener	RB2-5570-020CN	2
Figure 318; 5	Main fuser front guide assembly	RG9-1595-000CN	1
Figure 318; 6	Sub fuser front guide assembly	RG9-1596-000CN	1
Figure 318; 7	Screw, with washer M4X6	Not orderable	1
Figure 318; 8	Plate, feeder support	Not orderable	1
Figure 318; 9	Plate, duplexing support	Not orderable	1
Figure 318; 10	Plate, fuser positioning	Not orderable	1
Figure 318; 11	Mount, lower fuser sensor	Not orderable	1
Figure 318; 12	Screw, RS M3X6	Not orderable	6
Figure 318; 13	Guide, drawer cable	Not orderable	1
Figure 318; 14	Spring, tension	RS6-2442-000CN	1
Figure 318; 15	Screw, RS M3X6	Not orderable	11
Figure 318; 16	Photo interrupter (TLP1241, SR6, J3034)	WG8-5362-000CN	1
Figure 318; 17	Clamp, cable	Not orderable	4
Figure 318; 18	Clip, cable	Not orderable	2
Figure 318; 19	Fuser sensor PCB assembly	RG5-5914-000CN	1
Figure 318; 20	Fuser connecting cable assembly (J10, J60, J61, J114, J3019D)	RG5-5925-000CN	1
Figure 318; 21	Fuser sensor cable assembly (J115, J1501, J3034)	RG5-5932-000CN	1
Figure 318; 22	Foot	Not orderable	4
Figure 318; 23	Mount, positioning	Not orderable	1
Figure 318; 24	Cover, shield back delivery assembly	Not orderable	1
Figure 318; 25	Cover, shield front delivery assembly	Not orderable	1

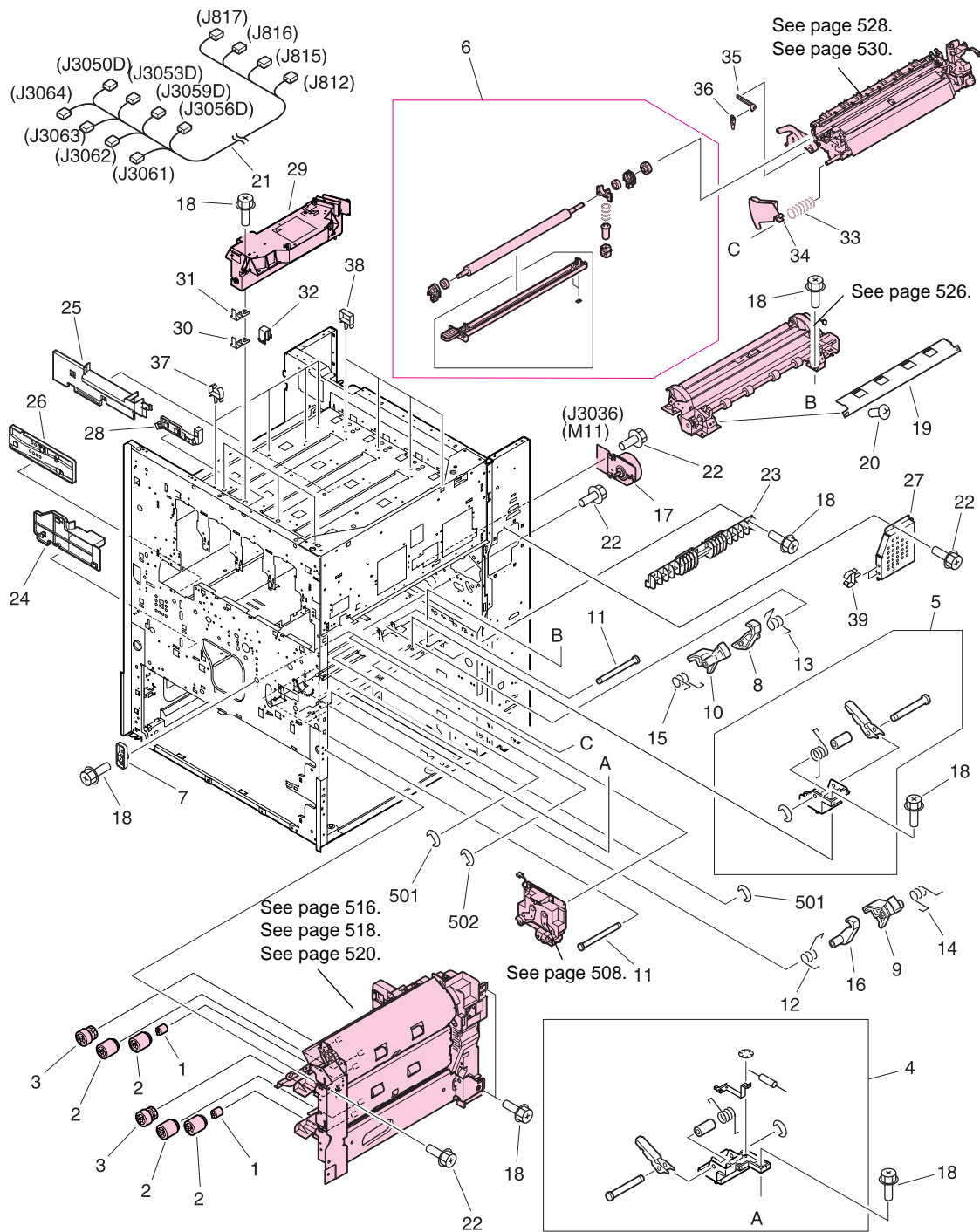




**Table 95. Internal components (4 of 9)**

Ref	Description	Part number	Qty
Figure 319; 1	Plate, control panel support	Not orderable	1
Figure 319; 2	Guide, cleaner	RB2-7181-000CN	2
Figure 319; 3	Cover, interlock	Not orderable	1
Figure 319; 4	Link, holder lift	RB2-7258-000CN	1
Figure 319; 5	Support, cleaning front	RB2-7570-000CN	1
Figure 319; 6	Plate, positioning	RB2-7537-000CN	1
Figure 319; 7	cover, support plate	Not orderable	1
Figure 319; 8	Support, side plate hinge	RB2-7302-000CN	2
Figure 319; 9	Pin, open/close cover support	Not orderable	1
Figure 319; 10	Guide, support pin	Not orderable	1
Figure 319; 11	Support, cleaning front	RB2-7515-000CN	1
Figure 319; 12	Plate, positioning	Not orderable	1
Figure 319; 13	Plate, mount	RF5-3505-000CN	1
Figure 319; 14	Support door hinge	RF5-3506-000CN	1
Figure 319; 15	Support door hinge	RF5-3507-000CN	1
Figure 319; 16	Support door hinge	RF5-3508-000CN	1
Figure 319; 17	Support door hinge	RF5-3509-000CN	1
Figure 319; 18	Spring, compression	Not orderable	1
Figure 319; 19	Right roller catch assembly	Not orderable	1
Figure 319; 20	Left roller catch assembly	Not orderable	1
Figure 319; 21	Screw, RS M3X6	Not orderable	11
Figure 319; 22	Screw, RS M3X8	Not orderable	4
Figure 319; 23	Pin, hinge	Not orderable	2
Figure 319; 24	P-crg open/close cover assembly	RG5-6182-000CN	1
Figure 319; 25	Registration sensor assembly (J3080)	RG5-6123-020CN	1
Figure 319; 26	Rail, guide front	RF5-3545-000CN	1
Figure 319; 27	Plate, shaft front	Not orderable	1
Figure 319; 28	Lever, adjusting	Not orderable	1
Figure 319; 29	Photo interrupter (TLP1241, SR44, J3020)	WG8-5362-000CN	1
Figure 319; 30	Intermediate transfer belt (ITB) sensor cable assembly (J3015, J3020)	RG5-5960-000CN	1
Figure 319; 31	Cover, rail	RB2-7531-000CN	1
Figure 319; 32	Screw, M3X8	Not orderable	4
Figure 319; 33	Clamp, cable	Not orderable	5

# Internal components (5 of 9)



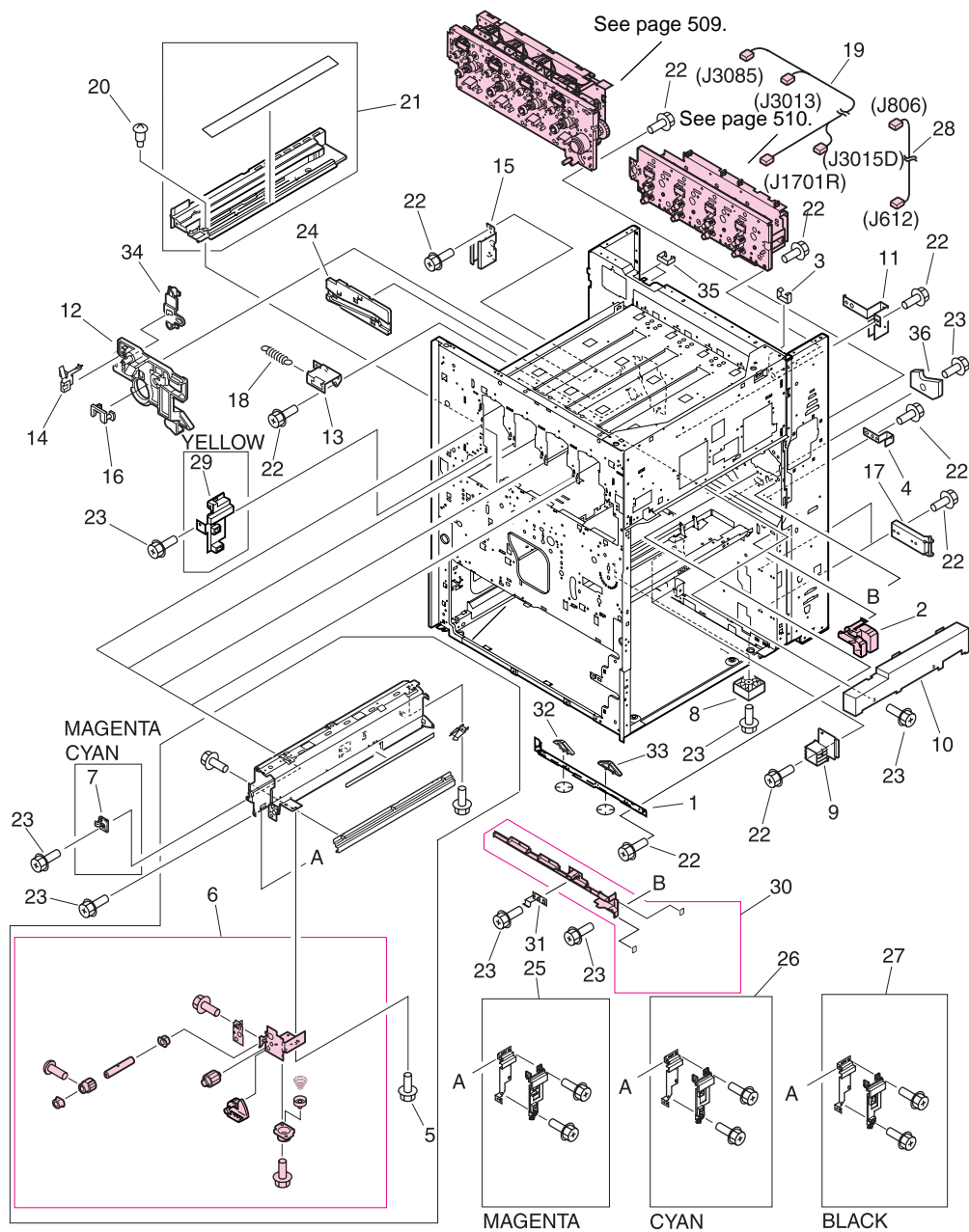
**Figure 320.** Internal components (5 of 9)

**Table 96. Internal components (5 of 9)**

Ref	Description	Part number	Qty
Figure 320; 1	Torque limiter	RB2-5759-000CN	1
Figure 320; 2	Roller	RF5-3338-000CN	4
Figure 320; 3	Roller, pickup	RF5-3340-000CN	2
Figure 320; 4	Damper front assembly	Not orderable	1
Figure 320; 5	Damper rear assembly	Not orderable	1
Figure 320; 6	Transfer roller assembly	RG5-6178-030CN	1
Figure 320; 7	Plate, eliminator contact	Not orderable	1
Figure 320; 8	Hook, registration front	Not orderable	1
Figure 320; 9	Block, registration front	Not orderable	1
Figure 320; 10	Block, registration rear	Not orderable	1
Figure 320; 11	Shaft, registration hook	Not orderable	2
Figure 320; 12	Spring, torsion	Not orderable	1
Figure 320; 13	Spring, torsion	Not orderable	1
Figure 320; 14	Spring, torsion	Not orderable	1
Figure 320; 15	Spring, torsion	Not orderable	1
Figure 320; 16	Hook, registration rear	Not orderable	1
Figure 320; 17	Motor, DC24 V (M11, J3036)	RH7-1518-000CN	1
Figure 320; 18	Screw, RS M3X6	Not orderable	11
Figure 320; 19	Guide, registration paper front lower	Not orderable	1
Figure 320; 20	Screw, M4X10	Not orderable	2
Figure 320; 21	Cable, BD auto registration (J812, J815, J816, J817, J3050D, J3053D, J3056D, J3059D, J3061, J3062, J3063, J3064)	Not orderable	1
Figure 320; 22	Screw, RS M3X6	Not orderable	4
Figure 320; 23	Guide, pickup	Not orderable	1
Figure 320; 24	Guide, duplexing front	Not orderable	1
Figure 320; 25	Guide, duplexing rear	Not orderable	1
Figure 320; 26	Guide, fuser support front	Not orderable	1
Figure 320; 27	Cover, motor	Not orderable	1
Figure 320; 28	Guide, panel cable	Not orderable	1
Figure 320; 29	Scanner assembly	C8546-69002	4
Figure 320; 30	Plate, scanner adjustment shim 1	Not orderable	Varies
Figure 320; 31	Plate, scanner adjustment shim 2	Not orderable	Varies
Figure 320; 32	Holder, scanner adjustment shim	Not orderable	8
Figure 320; 33	Spring, compression	RS6-2840-000CN	1
Figure 320; 34	Cover, transfer front	RB2-7445-000CN	1
Figure 320; 35*	Link, front	RF5-3502-000CN	1
Figure 320; 36*	Holder, stop	RB2-7501-000CN	1
Figure 320; 37	Clamp, cable	Not orderable	5
Figure 320; 38	Clamp, cable	Not orderable	4
Figure 320; 39	Clamp, cable	Not orderable	2

\*Always order both item number 35 and item number 36 together.

## Internal components (6 of 9)

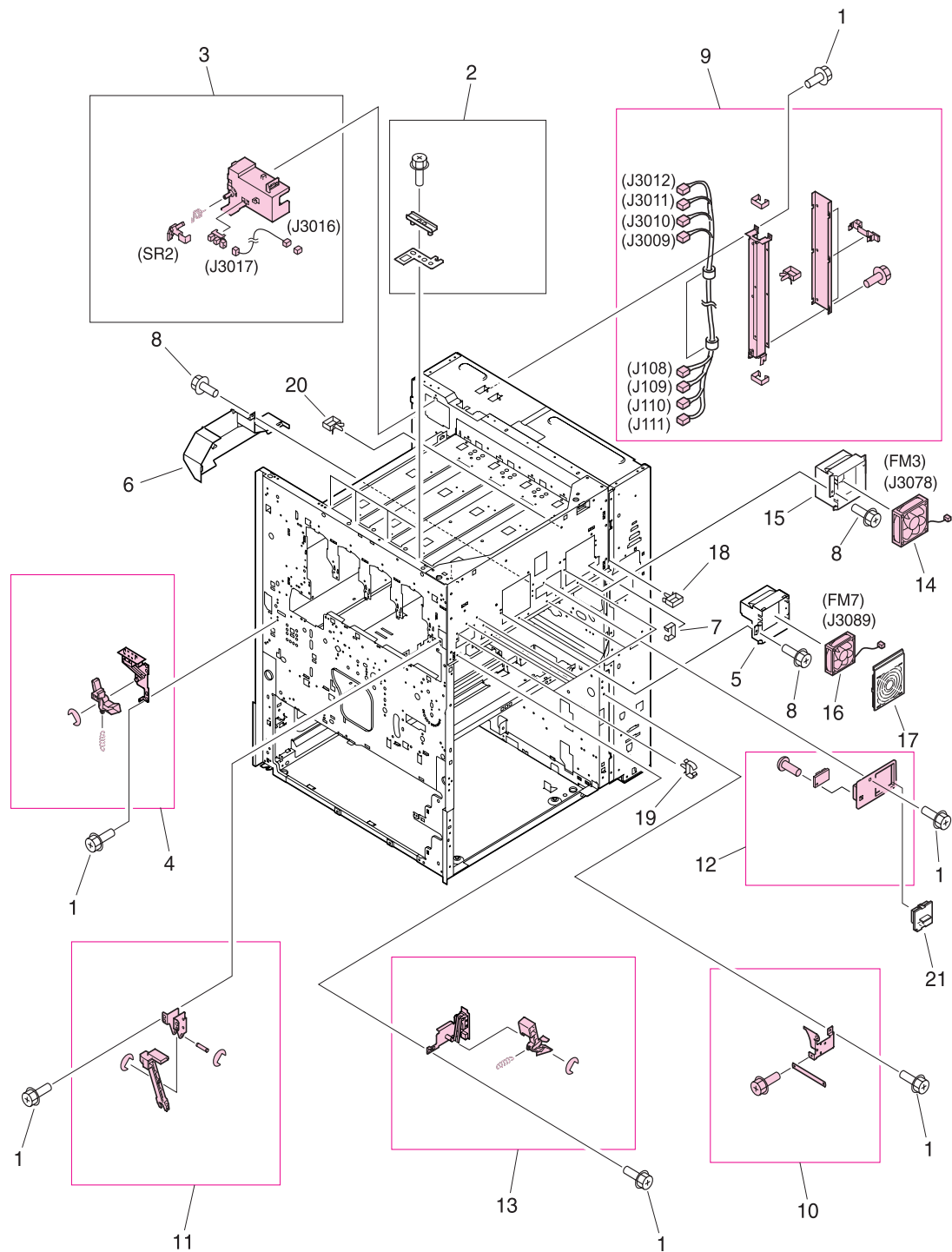


**Figure 321.** Internal components (6 of 9)

**Table 97. Internal components (6 of 9)**

Ref	Description	Part number	Qty
Figure 321; 1	Plate, rail support	Not orderable	1
Figure 321; 2	Block, damper	RB2-7217-000CN	1
Figure 321; 3	Clip, cable	Not orderable	1
Figure 321; 4	Fuser plate, high-voltage	Not orderable	1
Figure 321; 5	Screw, RS M3X6	Not orderable	2
Figure 321; 6	Cartridge, click support assembly	RG5-6141-020CN	1
Figure 321; 7	Support, claw (magenta, cyan)	Not orderable	2
Figure 321; 8	Block, right	Not orderable	1
Figure 321; 9	Cover, latch	Not orderable	2
Figure 321; 10	Duct, fan	Not orderable	1
Figure 321; 11	Rail, guide rear	Not orderable	1
Figure 321; 12	Support, cleaner rear	Not orderable	1
Figure 321; 13	Plate, mount	Not orderable	1
Figure 321; 14	Plate, contact	Not orderable	1
Figure 321; 15	Support, cleaner rear support	Not orderable	1
Figure 321; 16	Holder, positioning	Not orderable	1
Figure 321; 17	Hinge, right cover	Not orderable	2
Figure 321; 18	Spring, tension	Not orderable	1
Figure 321; 19	Right upper crossmember cable (J1701R, J3015D, J3013, J3085) (HP CLJ 9500 only)	RG5-5943-000CN	1
Figure 321; 19	Right upper crossmember cable (HP CLJ 9500mfp only)	RG5-5974-000CN	1
Figure 321; 20	Screw, stepped M3	Not orderable	3
Figure 321; 21	Intermediate transfer belt (ITB) duct unit	Not orderable	1
Figure 321; 22	Screw, RS M3X6	Not orderable	10
Figure 321; 23	Screw, RS M3X8	Not orderable	10
Figure 321; 24	Guide, fuser support	Not orderable	1
Figure 321; 25	Magenta cartridge rail assembly	Not orderable	1
Figure 321; 26	Cyan cartridge rail assembly	Not orderable	1
Figure 321; 27	Black cartridge rail assembly	Not orderable	1
Figure 321; 28	Toner cartridge cable (J612, J806)	RG5-5939-000CN	1
Figure 321; 29	Rail, cartridge (yellow)	Not orderable	1
Figure 321; 30	Rail, guide rear	RF5-3546-020CN	1
Figure 321; 31	Plate, grounding	RB2-7281-000CN	1
Figure 321; 32	Cam, right	Not orderable	1
Figure 321; 33	Cam, left	Not orderable	1
Figure 321; 34	Retainer, cleaner rear	Not orderable	1
Figure 321; 35	Holder, edge	Not orderable	2
Figure 321; 36	Block, support	Not orderable	1

## Internal components (7 of 9)



**Figure 322.** Internal components (7 of 9)

**Table 98. Internal components (7 of 9)**

<b>Ref</b>	<b>Description</b>	<b>Part number</b>	<b>Qty</b>
Figure 322; 1	Screw, RS M3X6	Not orderable	10
Figure 322; 2	Angle adjustment plate assembly	Not orderable	4
Figure 322; 3	Paper delivery sensor assembly (SR 2, J3016, J3017)	RG5-6152-000CN	1
Figure 322; 4	Left interlock assembly	RG5-6037-000CN	1
Figure 322; 5	Holder, ozone	Not orderable	1
Figure 322; 6	Duct, ozone	Not orderable	1
Figure 322; 7	Clip, cable	Not orderable	1
Figure 322; 8	Screw, RS M3X6	Not orderable	3
Figure 322; 9	Cable, laser assembly (J108, J109, J110, J111, J3009, J3010, J3011, J3012)	RG5-6148-000CN	1
Figure 322; 10	M-purpose support assembly rear	RG5-6107-000CN	1
Figure 322; 11	Slide arm assembly	RG5-6130-000CN	1
Figure 322; 12	Humidity sensor assembly	RG5-6153-000CN	1
Figure 322; 13	Right interlock assembly	RG5-6036-000CN	1
Figure 322; 14	Fan (FM3, J3078)	RH7-1554-000CN	1
Figure 322; 15	Holder, fan	Not orderable	1
Figure 322; 16	Fan (FM7, J3089)	RH7-1564-000CN	1
Figure 322; 17	Cover, fan	Not orderable	1
Figure 322; 18	Clamp, cord	Not orderable	1
Figure 322; 19	Clamp, cable	Not orderable	8
Figure 322; 20	Clip, cable	Not orderable	1
Figure 322; 21	Cover, sensor	Not orderable	1

## Internal components (8 of 9)

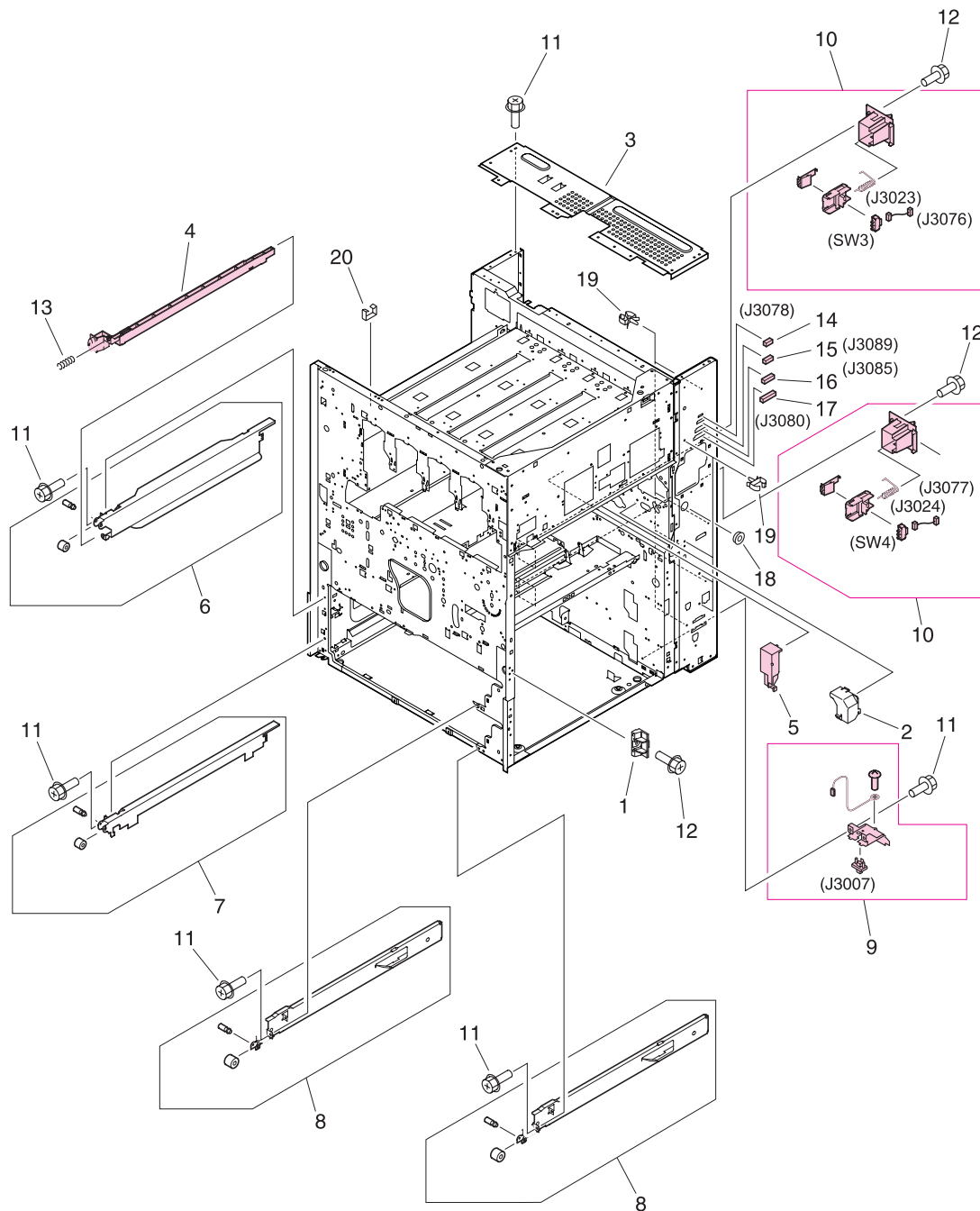


Figure 323. Internal components (8 of 9)



**Table 99. Internal components (8 of 9)**

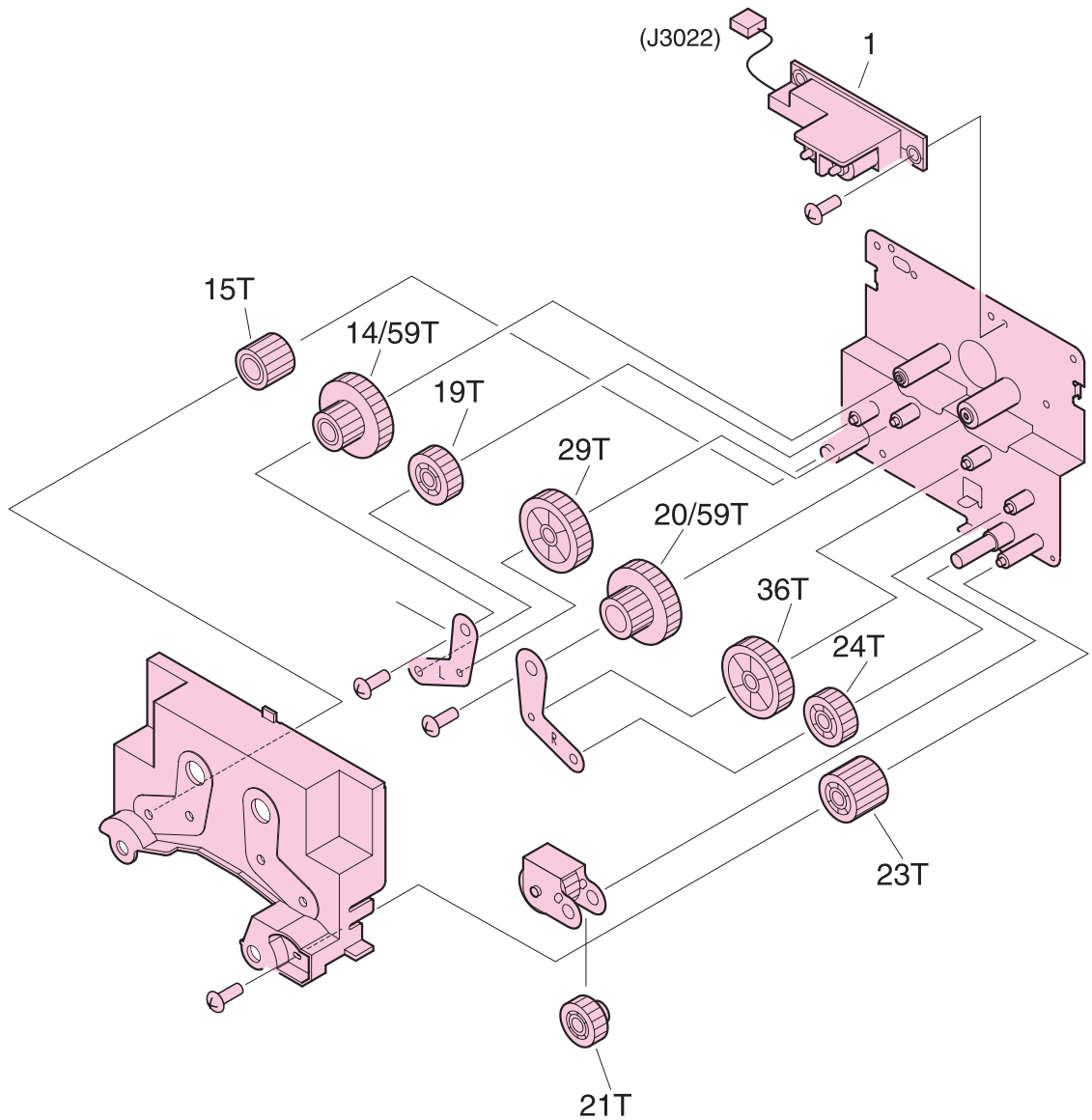
<b>Ref</b>	<b>Description</b>	<b>Part number</b>	<b>Qty</b>
Figure 323; 1	Support, right door stop	Not orderable	1
Figure 323; 2	Cover, registration	Not orderable	1
Figure 323; 3	Crossmember, rear	Not orderable	1
Figure 323; 4	Rod, switch	RB2-7354-000CN	1
Figure 323; 5	Cover, transfer cable	RB2-7444-000CN	1
Figure 323; 6	Left rail upper assembly	Not orderable	1
Figure 323; 7	Left rail lower assembly	Not orderable	1
Figure 323; 8	Right rail assembly	Not orderable	2
Figure 323; 9	Connector assembly (J3007)	RG5-5779-000CN	1
Figure 323; 10	End paper sensor assembly (J3023, J3076, J3024, J3077, SW3, J3023, SW4, J3024)	RG5-5699-000CN	2
Figure 323; 11	Screw, RS M3X6	Not orderable	6
Figure 323; 12	Screw, RS M3X8	Not orderable	4
Figure 323; 13	Spring, compression	Not orderable	1
Figure 323; 14	Connector, 3P (J3078)	VS1-5057-003CN	1
Figure 323; 15	Connector, 5P (J3089)	VS1-5057-005CN	1
Figure 323; 16	Connector, 10P (J3085)	VS1-5057-010CN	1
Figure 323; 17	Connector, 20P (J3080)	VS1-5057-020CN	1
Figure 323; 18	Bushing	Not orderable	1
Figure 323; 19	Clip, cable	Not orderable	8
Figure 323; 20	Clip, cable	Not orderable	1



**Table 100. Internal components (9 of 9)**

Ref	Description	Part number	Qty
Figure 324; 1	High-voltage PCB assembly	RG5-6031-000CN	1
Figure 324; 2	High-voltage connector PCB assembly (J206)	RG5-6032-000CN	1
Figure 324; 3	Shield case assembly	Not orderable	1
Figure 324; 4	Holder, upper fan	Not orderable	1
Figure 324; 5	Holder, lower fan	Not orderable	1
Figure 324; 6	Guide, main cable	Not orderable	1
Figure 324; 7	Power supply assembly 110-127 V (FM5, 100-127 V)	RH3-2236-030CN new	1
	Power supply assembly 220-240 V (FM5, 220-240 V)	C8546-69003 exchange RH3-2237-040CN new C8546-69004 exchange	1
Figure 324; 8	Power supply mount assembly	Not orderable	1
Figure 324; 9	Screw, RS M3X6	Not orderable	6
Figure 324; 10	Screw, RS M3X8	Not orderable	10
Figure 324; 11	DC controller PCB assembly	RG5-5901-060CN new C8546-69005 exchange	1
Figure 324; 12	High-voltage holder assembly	RG5-6129-000CN	1
Figure 324; 13	Cable, rear lower (J3, J4, J5, J9, J70, J102, J113, J117, J118, J119, J120, J124, J125, J129, J130, J810, J824, J3000D, J3000DH, J3001D, J3001DH, J3002D, J3002DH, J3007DAJ3007DB, J3036, J3037DB, J9501, J9502, J9503, J9504))	RG5-5919-000CN	1
Figure 324; 14	Cable, process cartridge (J202, J608)	RG5-5938-000CN	1
Figure 324; 15	Cable, high-voltage control (J101, J203)	RG5-5940-000CN	1
Figure 324; 16	Cable, fuser motor (J116, J3035)	RG5-5952-000CN	1
Figure 324; 17	Cable, formatter (J2, J9002)	RG5-5933-000CN	1
Figure 324; 18	Cable, high-voltage (J1, J201)	RG5-5937-000CN	1
Figure 324; 19	Cable, rear upper (J112, J123, J803, J811, J821, J901, J3008, J3016D, J3018D, J3069D, J3086D) (HP CLJ 9500 only)	RG5-5920-000CN	1
Figure 324; 19	Cable, rear upper (HP CLJ 9500mfp only)	RG5-5990-000CN	1
Figure 324; 20	Fan (FM2, J818)	RH7-1521-000CN	1
Figure 324; 21	Fan (FM4, J819)	RH7-1522-000CN	1
Figure 324; 22	Cable, rear holder assembly (J122, J3076, J3077D)	RG5-6159-000CN	1
Figure 324; 23	Cable, flat (J103, J9002)	RH2-5509-000CN	1
Figure 324; 24	Cable, flat (J104, J106< J601, J616, J801)	RH2-5507-000CN	1
Figure 324; 25	High-voltage power supply PCB unit	RH3-0353-020CN	1
Figure 324; 26	Plate, test switch	Not orderable	1
Figure 324; 27	Cable, post controller (J210, J501)	RG5-5966-000CN	1
Figure 324; 28	Regulator PCB assembly	RG5-5971-000CN	1
Figure 324; 29	Cable, rear lower (J121, J3025D, J3027D), J3022D, J3026D)	RG5-5975-000CN	1

## Registration drive assembly



**Figure 325.** Registration drive assembly

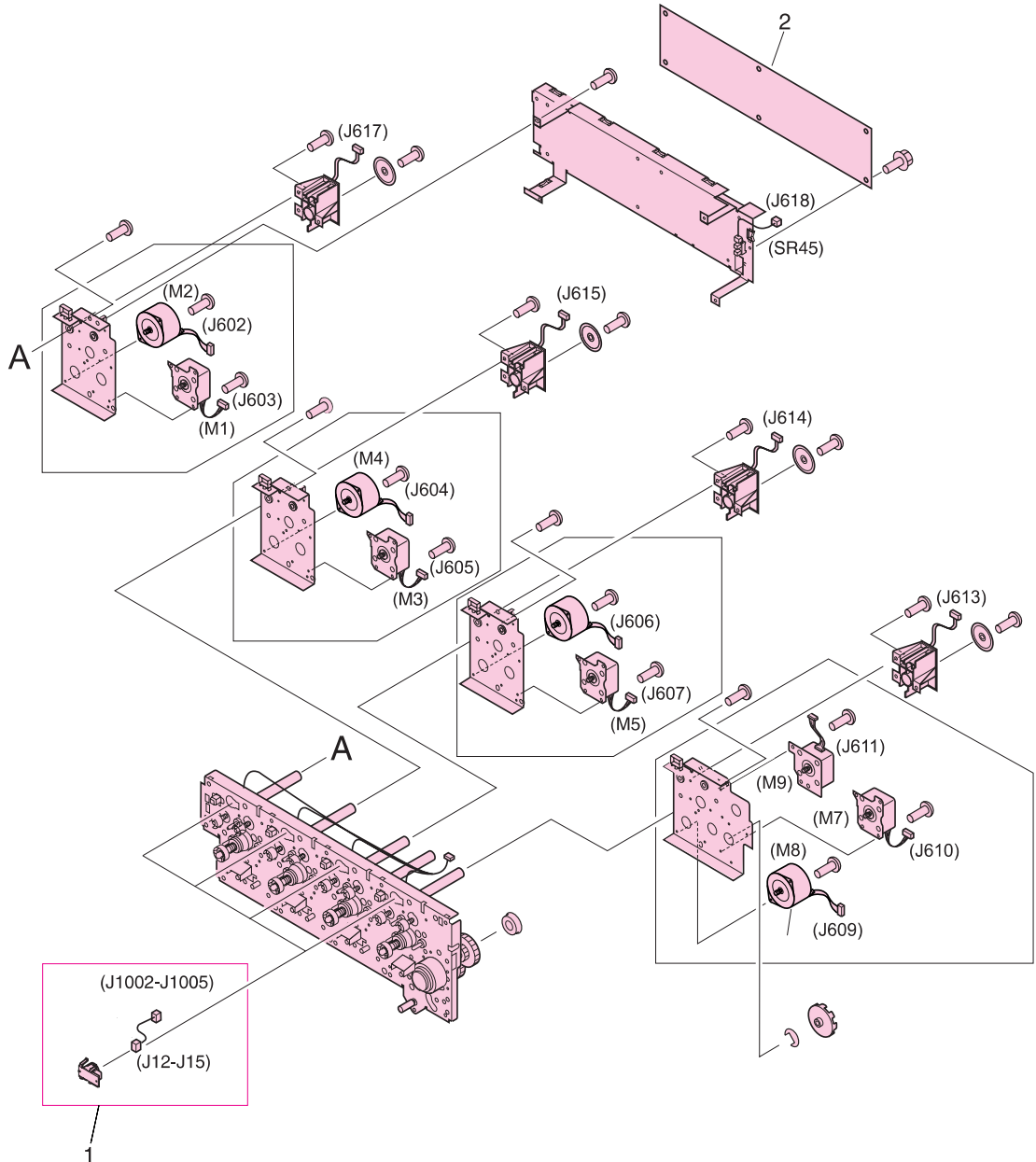
**Note**

Callout numbers that are followed by a “T” indicate the number of teeth on the specified gear. For example, 21T is a gear with 21 teeth.

**Table 101.** Registration drive assembly

Ref	Description	Part number	Qty
Figure 325; all	Registration drive assembly	RG5-6015-000CN	1
Figure 325; 1	Pin holder unit (registration drive assembly; J3022)	RG5-6160-000CN	1

## Process cartridge drive assembly (image drum drive)

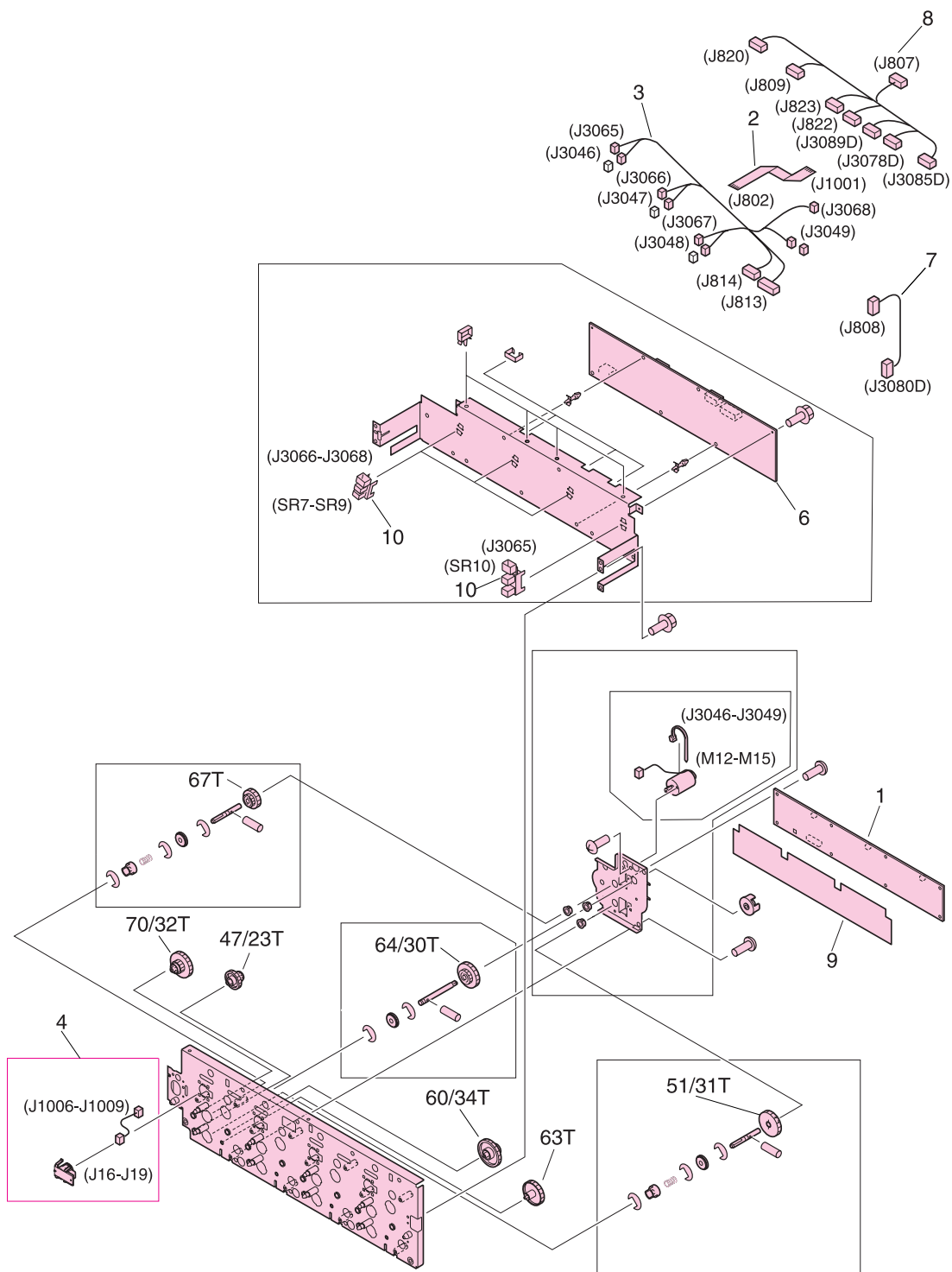


**Figure 326.** Process cartridge drive assembly (image drum drive)

**Table 102.** Process cartridge drive assembly (image drum drive)

Ref	Description	Part number	Qty
Figure 326; all	Process cartridge drive assembly (J613, J614, J615, M8, J609, J12, J13, J14, J15, J1002, J1003, J1004, J1005, M7, J610, M9, J611, M2, J604, J606, M1, M3, M5, J603, J605, J607)	RG5-6188-030CN new C8546-69006 exchange	1
Figure 326; 1	Antenna holder assembly	RG5-6026-000CN	4
Figure 326; 2	Process cartridge (image drum) PCB assembly	RG5-5905-000CN	1

## Toner cartridge drive assembly (print cartridge drive)



**Figure 327.** Toner cartridge drive assembly (print cartridge drive)

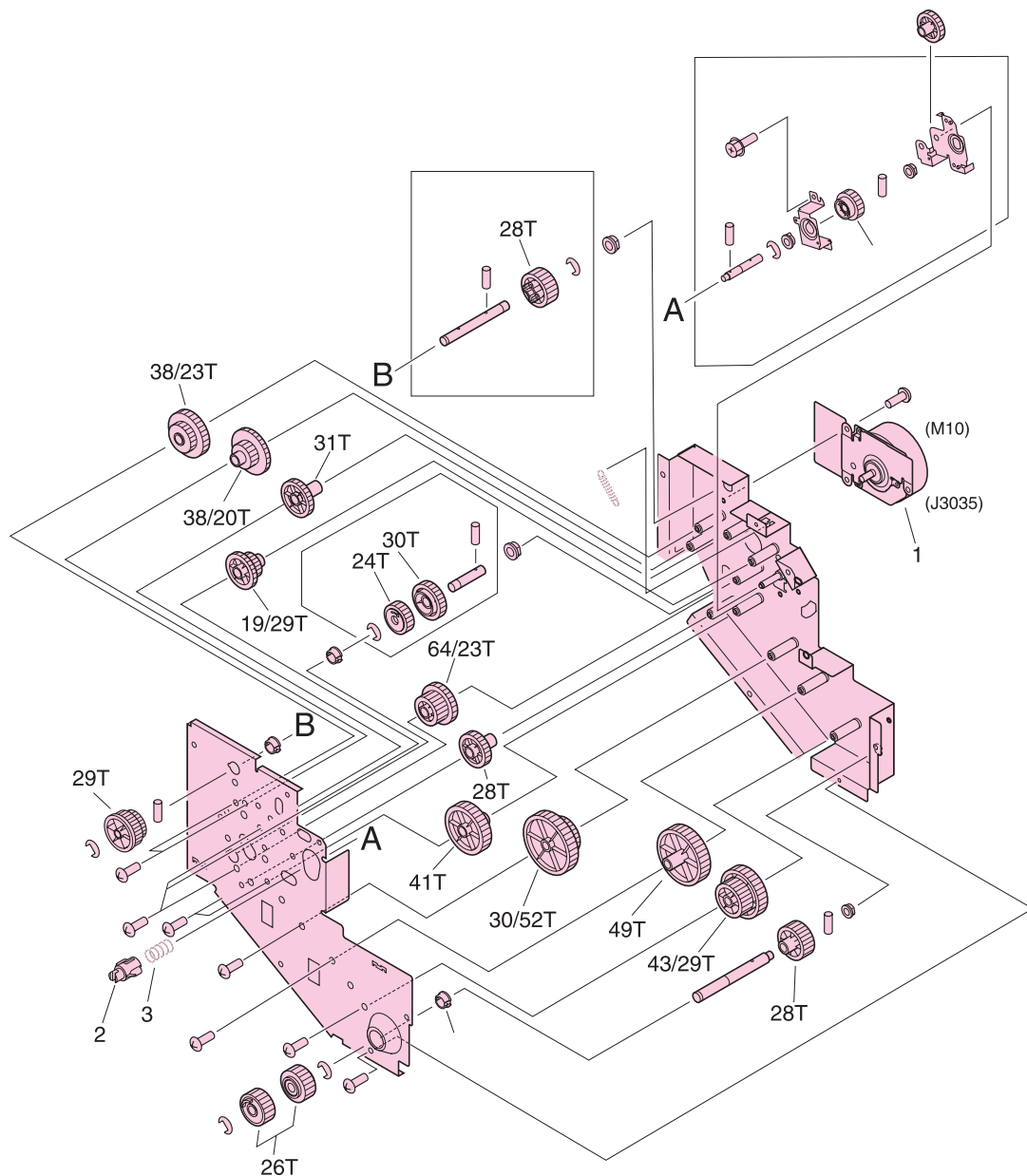
**Note**

Callout numbers that are followed by a “T” indicate the number of teeth on the specified gear. For example, 21T is a gear with 21 teeth.

**Table 103. Toner cartridge drive assembly (print cartridge drive)**

<b>Ref</b>	<b>Description</b>	<b>Part number</b>	<b>Qty</b>
Figure 327; all	Toner cartridge drive assembly (print cartridge drive)	RG5-6022-020CN	1
Figure 327; 1	Memory switch PCB assembly	RG5-5909-000CN	1
Figure 327; 2	Cable, flat (J802, J1001)	RH2-5508-000CN	1
Figure 327; 3	Toner drive cable (J813, J814, J3046, J3047, J3048, J3049, J3065, J3066, J3067, J3068)	RG5-5930-000CN	1
Figure 327; 4	Antenna holder assembly (J16-J19, J1006-J1009)	RG5-6026-000CN	4
Figure 327; 5	Toner cartridge motor assembly (M12, M13, M14, M15, J3046, J3047, J3048, J3049)	Not orderable	1
Figure 327; 6	crg driver PCB assembly (print cartridge drive)	RG5-5907-020CN	1
Figure 327; 7	Cable, right rear 1 (J808, J3080D)	RG5-5962-000CN	1
Figure 327; 8	Cable, right rear 2 (J807, J808, J820, J822, J823, J3078D, J3085D, J3089D)	RG5-5963-000CN	1
Figure 327; 9	Sheet, insulating	Not orderable	1
Figure 327; 10	Photo-interrupter TLP1241 (J16, J17, J18, J19, J1006, J1007, J1008, J1009)	WG8-5362-000CN	4

## Fuser drive assembly



**Figure 328.** Fuser drive assembly

**Note**

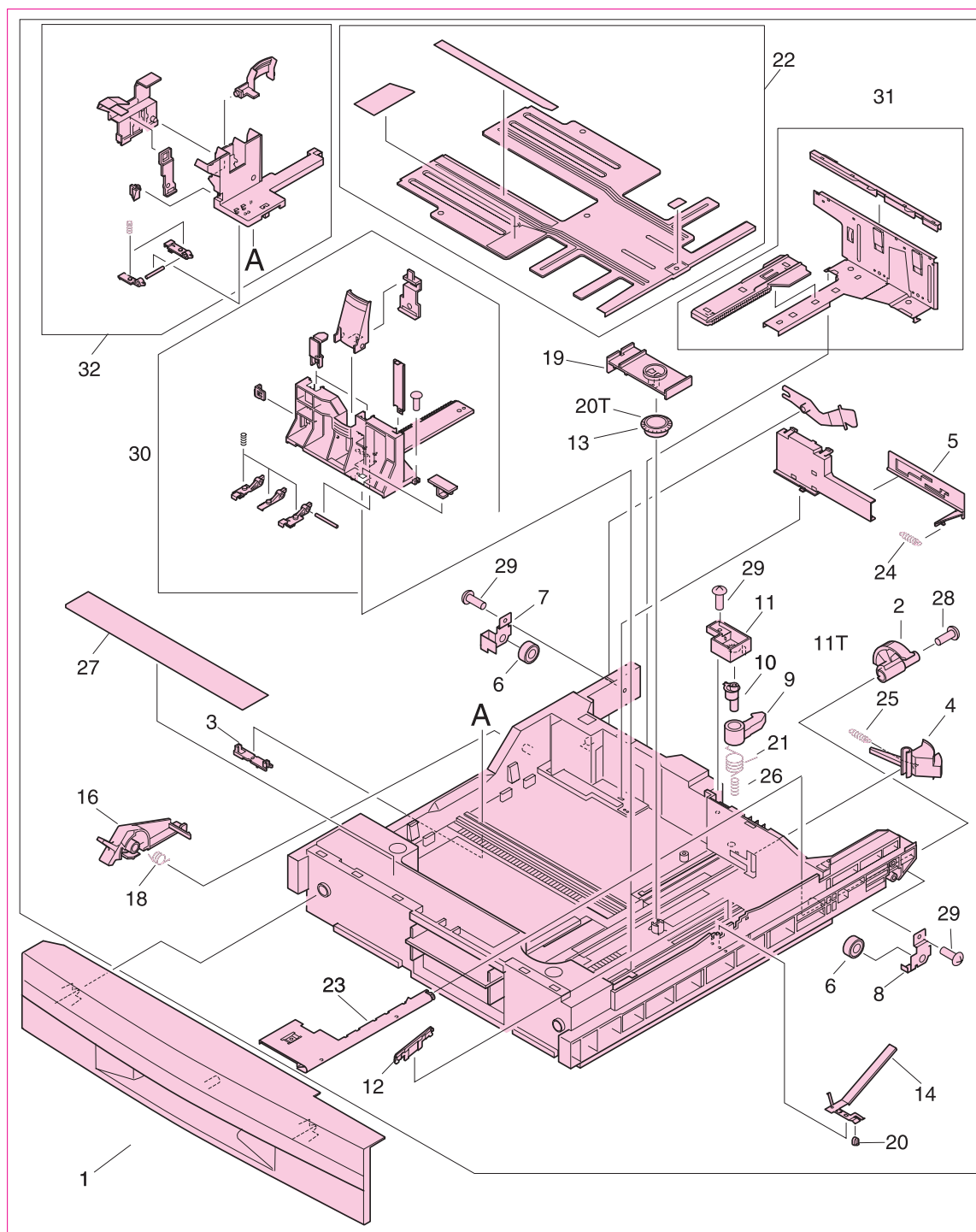
Callout numbers that are followed by a "T" indicate the number of teeth on the specified gear. For example, 21T is a gear with 21 teeth.



**Table 104. Fuser drive assembly**

<b>Ref</b>	<b>Description</b>	<b>Part number</b>	<b>Qty</b>
Figure 328; all	Fuser drive assembly	RG5-6018-000CN	1
Figure 328; 1	Motor, DC24 V (M10, J3035)	RH7-1519-000CN	1
Figure 328; 2	Coupler	Not orderable	1
Figure 328; 3	Spring, compression	Not orderable	1

# Cassette assembly



**Figure 329.** Cassette assembly

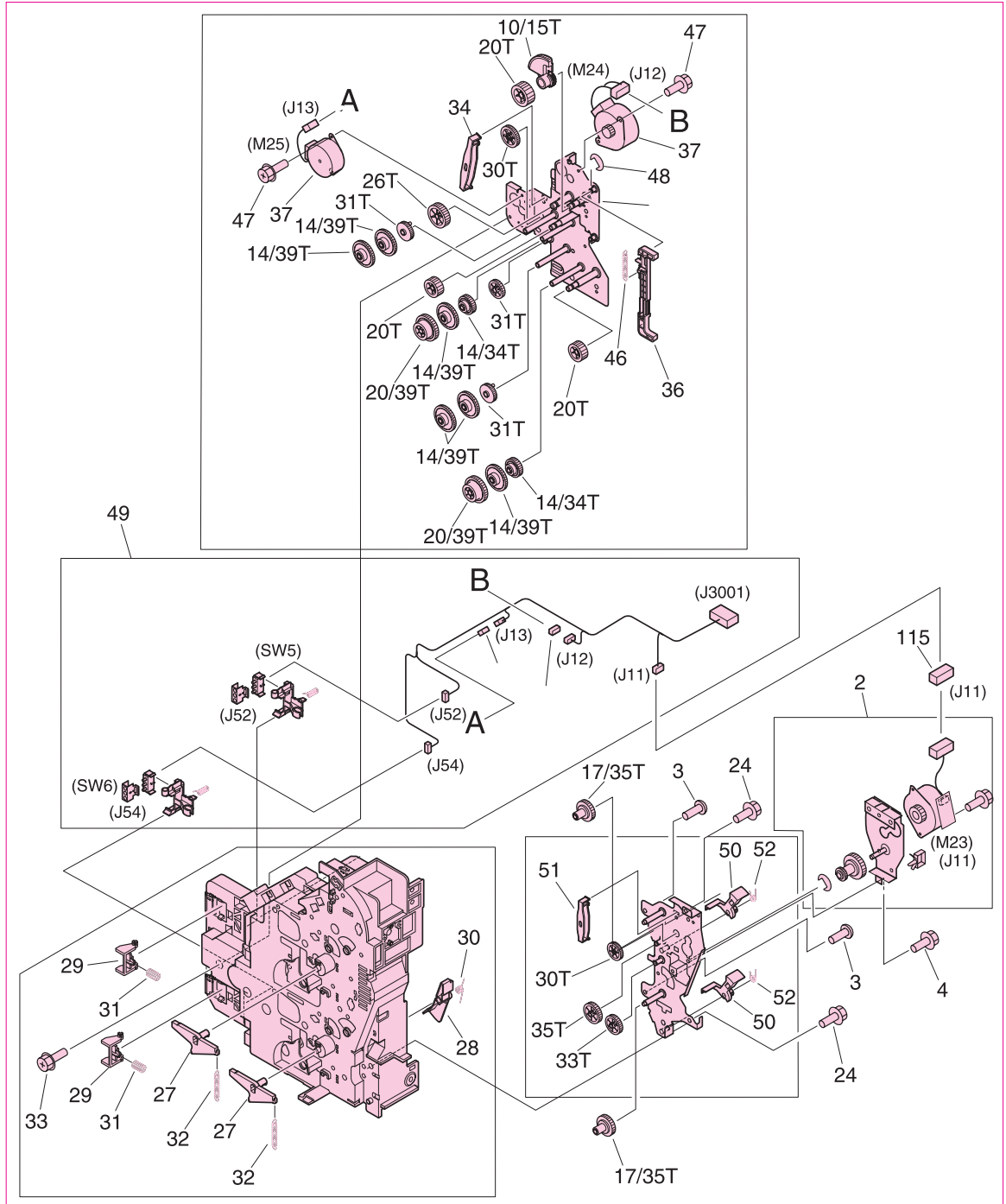
**Note**

Callout numbers that are followed by a "T" indicate the number of teeth on the specified gear. For example, 21T is a gear with 21 teeth.

**Table 105. Cassette assembly**

Ref	Description	Part number	Qty
Figure 329; all	Cassette (use this part number to order the entire assembly)	RG5-5635-080CN	2
Figure 329; 1	Cover, front	Not orderable	1
Figure 329; 2	Gear, 11 teeth	Not orderable	1
Figure 329; 3	Holder, rear	Not orderable	1
Figure 329; 4	Cam, width sensing	Not orderable	1
Figure 329; 5	Plate, coupler	Not orderable	1
Figure 329; 6	Roller, cassette	Not orderable	2
Figure 329; 7	Plate, left stop	Not orderable	1
Figure 329; 8	Plate, right stop	Not orderable	1
Figure 329; 9	Claw, lock	Not orderable	1
Figure 329; 10	Shaft, lock	Not orderable	1
Figure 329; 11	Holder, lock	Not orderable	1
Figure 329; 12	Guide	Not orderable	1
Figure 329; 13	Gear, 20 teeth	Not orderable	1
Figure 329; 14	Plate, grounding	Not orderable	1
Figure 329; 15	Arm, cassette	Not orderable	1
Figure 329; 16	Knob, cassette	Not orderable	1
Figure 329; 17	Holder, cover	Not orderable	1
Figure 329; 18	Spring, torsion	Not orderable	1
Figure 329; 19	Holder, mount	Not orderable	1
Figure 329; 20	Pin, grounding	Not orderable	1
Figure 329; 21	Spring, torsion	Not orderable	1
Figure 329; 22	Plate, lifting	Not orderable	1
Figure 329; 23	Plater, lifter	Not orderable	1
Figure 329; 24	Spring, tension	Not orderable	1
Figure 329; 25	Spring, tension	Not orderable	1
Figure 329; 26	Spring, compression	Not orderable	1
Figure 329; 27	Label, control	Not orderable	1
Figure 329; 28	Screw, with washer M3X29.5	Not orderable	1
Figure 329; 29	Screw, M4X10	Not orderable	1
Figure 329; 30	Side, standard plate assembly	Not orderable	1
Figure 329; 31	Side, plate guide assembly	Not orderable	1
Figure 329; 32	End plate guide assembly	Not orderable	1

## Paper pickup assembly (1 of 3)



**Figure 330.** Paper pickup assembly (1 of 3)

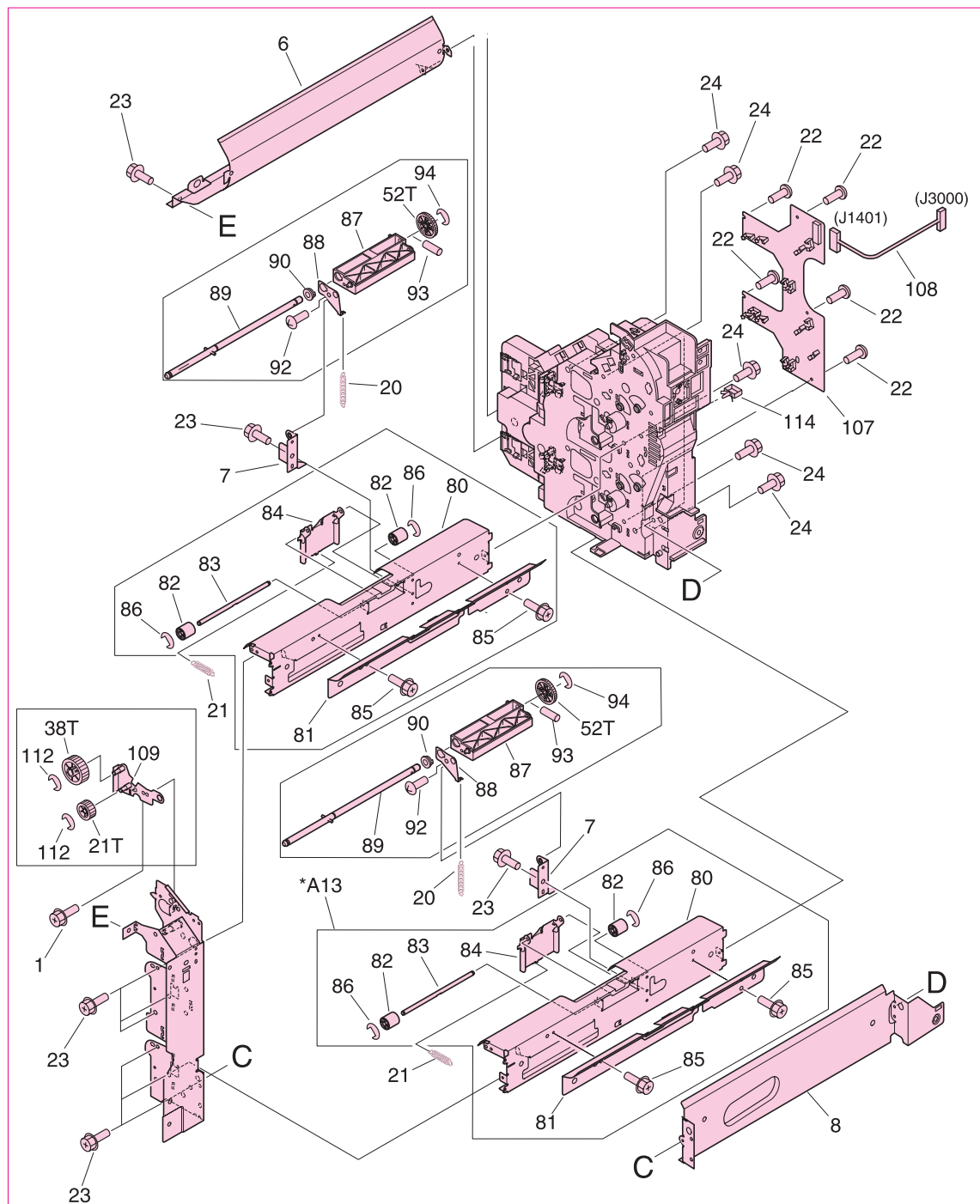
**Note**

Callout numbers that are followed by a "T" indicate the number of teeth on the specified gear. For example, 21T is a gear with 21 teeth.

**Table 106. Paper pickup assembly (1 of 3)**

Ref	Description	Part number	Qty
Figure 330; all Figure 331; all Figure 332; all	Paper pickup assembly (use this part number to order the entire assembly)	RG5-6196-000CN	1
Figure 330; 2	Motor, pickup assembly (M23, J11)	Not orderable	1
Figure 330; 3	Screw, M4X10	Not orderable	5
Figure 330; 4	Screw, RS M3X6	Not orderable	5
Figure 330; 24	Screw, RS M3X8	Not orderable	12
Figure 330; 27	Lever, release	Not orderable	2
Figure 330; 28	Flag, right cover assembly	Not orderable	2
Figure 330; 29	Arm, lock	Not orderable	2
Figure 330; 30	Spring, torsion	Not orderable	1
Figure 330; 31	Spring, compression	Not orderable	2
Figure 330; 32	Spring, tension	Not orderable	2
Figure 330; 32	Screw, RS M3X8	Not orderable	5
Figure 330; 34	Holder, gear	Not orderable	1
Figure 330; 36	Rod, pickup	Not orderable	1
Figure 330; 37	Motor, DC24 V (M24, J12) (M25, J13)	Not orderable	2
Figure 330; 46	Spring, tension	Not orderable	1
Figure 330; 47	Screw, with washer RS M3X6	Not orderable	4
Figure 330; 48	Ring, E	Not orderable	1
Figure 330; 49	Paper width sensor unit (SW5, J52, SW6, J54)	Not orderable	1
Figure 330; 50	Flag, sensor	Not orderable	2
Figure 330; 51	Holder, gear	Not orderable	1
Figure 330; 52	Spring, torsion	Not orderable	2
Figure 330; 115	Connector, 4P (J11)	Not orderable	1

## Paper pickup assembly (2 of 3)



**Figure 331.** Paper pickup assembly (2 of 3)

**Note**

Callout numbers that are followed by a "T" indicate the number of teeth on the specified gear. For example, 21T is a gear with 21 teeth.

**Table 107. Paper pickup assembly (2 of 3)**

Ref	Description	Part number	Qty
Figure 331; 1	Screw, RS M3X6	Not orderable	5
Figure 331; 6	Guide, pickup out	Not orderable	1
Figure 331; 7	Plate, right support	Not orderable	2
Figure 331; 8	Crossmember, pickup	Not orderable	1
Figure 331; 20	Spring, tension	Not orderable	2
Figure 331; 21	Spring, tension	Not orderable	2
Figure 331; 22	Screw, M4X10	Not orderable	5
Figure 331; 23	Screw, RS M3X6	Not orderable	13
Figure 331; 24	Screw, RS M3X8	Not orderable	12
Figure 331; 80	Guide, right	Not orderable	2
Figure 331; 81	Guide, feed out	Not orderable	2
Figure 331; 82	Roller, feed	Not orderable	4
Figure 331; 83	Shaft, feed roller	Not orderable	2
Figure 331; 84	Holder, feed roller	Not orderable	2
Figure 331; 85	Screw, RS M3X6	Not orderable	4
Figure 331; 86	Ring, E	Not orderable	4
Figure 331; 87	Holder, retard	Not orderable	2
Figure 331; 88	Plate, holder support	Not orderable	2
Figure 331; 89	Shaft, retard	Not orderable	2
Figure 331; 90	Bushing	Not orderable	2
Figure 331; 92	Screw, M4X10	Not orderable	2
Figure 331; 93	Pin, dowel	Not orderable	2
Figure 331; 94	Ring, E	Not orderable	2
Figure 331; 107	Feed PCB assembly	Not orderable	1
Figure 331; 108	Cable, pickup	Not orderable	1
Figure 331; 109	Plate, front m-purpose support	Not orderable	1
Figure 331; 112	Ring, E	Not orderable	2

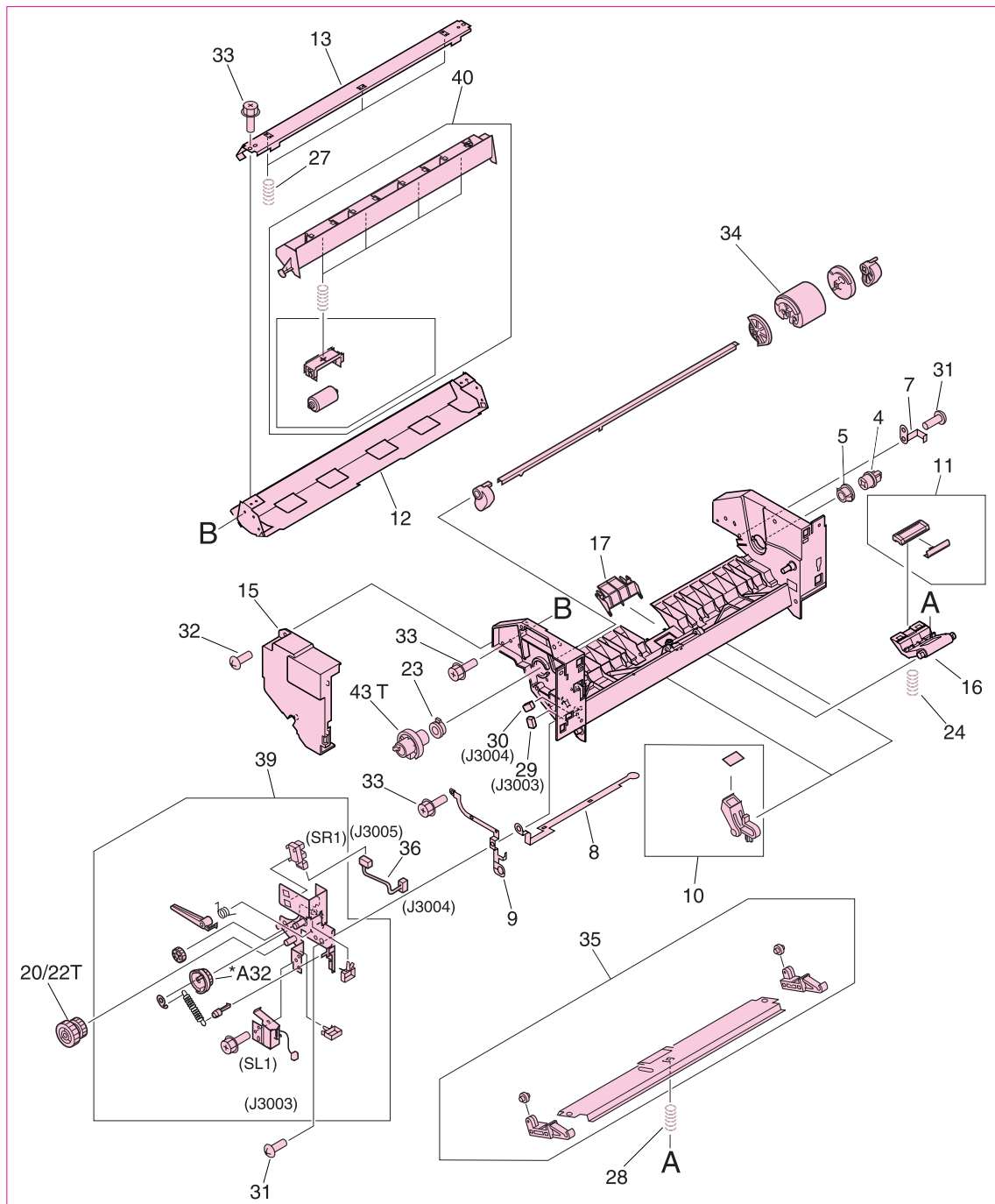




**Table 108. Paper pickup assembly (3 of 3)**

Ref	Description	Part number	Qty
Figure 332; 5	Roller, vertical path	Not orderable	2
Figure 332; 9	Guide, front inlet	Not orderable	2
Figure 332; 10	Timing belt	Not orderable	1
Figure 332; 11	Vertical path drive gear unit	Not orderable	1
Figure 332; 12	Vertical Path pulley unit	Not orderable	1
Figure 332; 13	Bushing	Not orderable	2
Figure 332; 14	Bushing	Not orderable	2
Figure 332; 15	Bushing	Not orderable	2
Figure 332; 19	Spring, tension	Not orderable	3
Figure 332; 23	Screw, RS M3X6	Not orderable	13
Figure 332; 24	Screw, RS M3X8	Not orderable	12
Figure 332; 25	Ring, E	Not orderable	5
Figure 332; 26	Ring, E	Not orderable	4
Figure 332; 56	Roller, feed	Not orderable	1
Figure 332; 57	Guide, pickup feed	Not orderable	1
Figure 332; 58	Holder, feed sensor	Not orderable	1
Figure 332; 59	Flag, feed sensor	Not orderable	2
Figure 332; 60	Spring, torsion	Not orderable	2
Figure 332; 61	Bushing	Not orderable	1
Figure 332; 62	Bushing	Not orderable	1
Figure 332; 65	Screw, M4X10	Not orderable	2
Figure 332; 66	Pin, dowel	Not orderable	1
Figure 332; 67	Ring, E	Not orderable	2
Figure 332; 68	Roller, feed	Not orderable	1
Figure 332; 69	Guide, feed roller	Not orderable	1
Figure 332; 70	Holder, feed sensor	Not orderable	1
Figure 332; 71	Flag, feed sensor	Not orderable	2
Figure 332; 72	Spring, torsion	Not orderable	2
Figure 332; 73	Bushing	Not orderable	1
Figure 332; 74	Bushing	Not orderable	1
Figure 332; 77	Screw, M4X10	Not orderable	2
Figure 332; 78	Pin, dowel	Not orderable	1
Figure 332; 79	Ring, E	Not orderable	2
Figure 332; 95	Flag, paper sensor	Not orderable	2
Figure 332; 96	Guide, inlet	Not orderable	2
Figure 332; 97	Holder, pickup	Not orderable	2
Figure 332; 98	Holder, pickup roller	Not orderable	2
Figure 332; 99	Flag, paper height	Not orderable	2
Figure 332; 100	Shaft, pickup	Not orderable	2
Figure 332; 101	Shaft, feed	Not orderable	2
Figure 332; 102	Bushing	Not orderable	4
Figure 332; 105	Ring, E	Not orderable	2
Figure 332; 106	Ring, E	Not orderable	2

## Manual feed pickup assembly (tray 1) (1 of 2)



**Figure 333.** Manual feed pickup assembly (tray 1) (1 of 2)

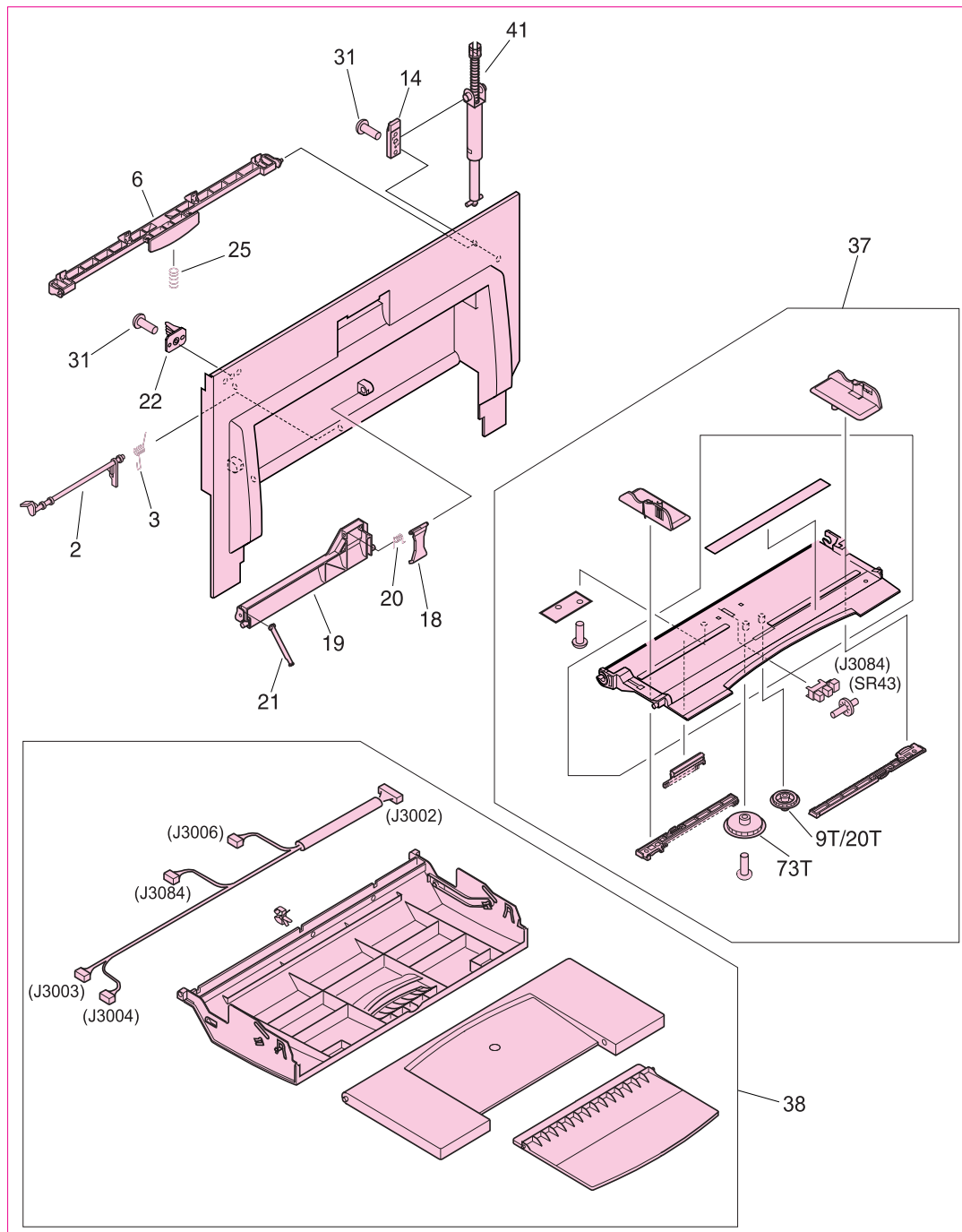
**Note**

Callout numbers that are followed by a "T" indicate the number of teeth on the specified gear. For example, 21T is a gear with 21 teeth.

**Table 109. Manual feed pickup assembly (tray 1) (1 of 2)**

Ref	Description	Part number	Qty
Figure 333; all Figure 334; all	Manual feed pickup assembly (tray 1)	RG5-6090-190CN	1
Figure 333; 4	Bushing	Not orderable	1
Figure 333; 5	Bushing, right	Not orderable	1
Figure 333; 7	Plate, grounding	Not orderable	1
Figure 333; 8	Plate, grounding	Not orderable	1
Figure 333; 9	Plate, grounding	Not orderable	1
Figure 333; 10	Pad	RF5-3489-000CN	2
Figure 333; 11	Pad, separation	RF5-3490-000CN	1
Figure 333; 12	Plate, paper pickup guide	Not orderable	1
Figure 333; 13	Plate, paper pickup cover	Not orderable	1
Figure 333; 15	Cover, multipurpose sensor	Not orderable	1
Figure 333; 16	Holder, pad	Not orderable	1
Figure 333; 17	Guide, paper	Not orderable	1
Figure 333; 23	Bushing, left	Not orderable	1
Figure 333; 24	Spring, compression	Not orderable	1
Figure 333; 27	Spring, compression	Not orderable	1
Figure 333; 28	Spring, compression	Not orderable	1
Figure 333; 29	Connector, 2P (J3003)	Not orderable	1
Figure 333; 30	Connector, 3P (J3004)	Not orderable	1
Figure 333; 31	Screw, M4X10	Not orderable	6
Figure 333; 32	Screw, M4X8	Not orderable	1
Figure 333; 33	Screw, RS M3X6	Not orderable	6
Figure 333; 34	Roller, pickup	RB2-1820-000CN	1
Figure 333; 35	Paper guide plate assembly	Not orderable	1
Figure 333; 36	Multipurpose sensor cable (J3004, J3005)	Not orderable	1
Figure 333; 39	Multipurpose drive assembly (SL1, J3003, SR1, J3005)	Not orderable	1
Figure 333; 40	Front registration crossmember assembly	Not orderable	1

## Manual feed pickup assembly (tray 1) (2 of 2)



**Figure 334.** Manual feed pickup assembly (tray 1) (2 of 2)

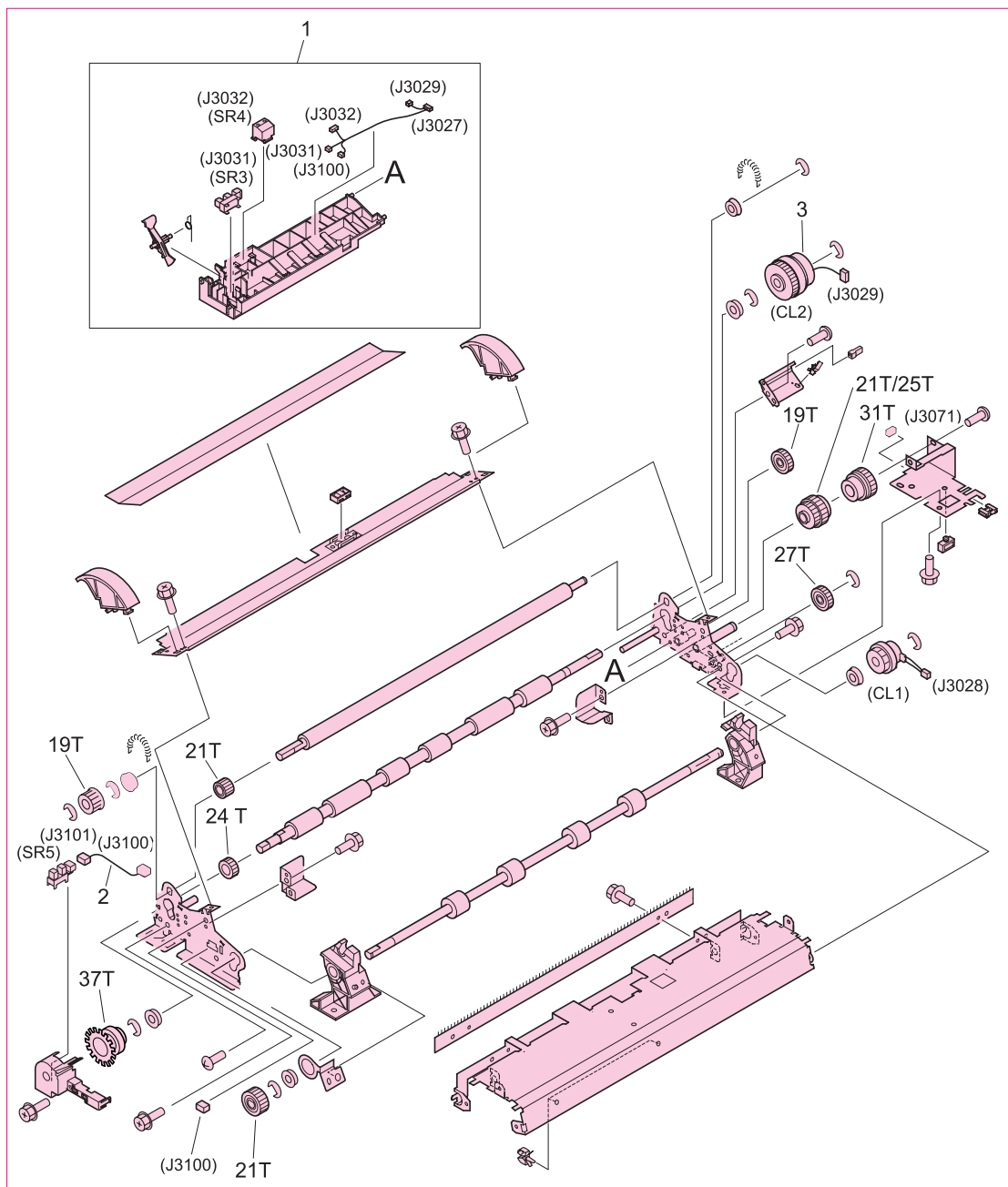
### Note

Callout numbers that are followed by a "T" indicate the number of teeth on the specified gear. For example, 21T is a gear with 21 teeth.

**Table 110. Manual feed pickup assembly (tray 1) (2 of 2)**

<b>Ref</b>	<b>Description</b>	<b>Part number</b>	<b>Qty</b>
Figure 334; 2	Arm, sensor	Not orderable	1
Figure 334; 3	Spring, torsion	Not orderable	1
Figure 334; 6	Knob	Not orderable	1
Figure 334; 18	Lever, sensor	Not orderable	1
Figure 334; 19	Frame, paper sensor	Not orderable	1
Figure 334; 20	Spring, torsion	Not orderable	1
Figure 334; 21	Flag, sensor	Not orderable	1
Figure 334; 22	Mount, shaft	Not orderable	1
Figure 334; 37	Multipurpose tray assembly (SR43, J3084)	Not orderable	1
Figure 334; 38	Multipurpose, cover assembly (J3002, J3003, J3004, J3006, J3084)	Not orderable	

## Registration assembly



**Figure 335.** Registration assembly

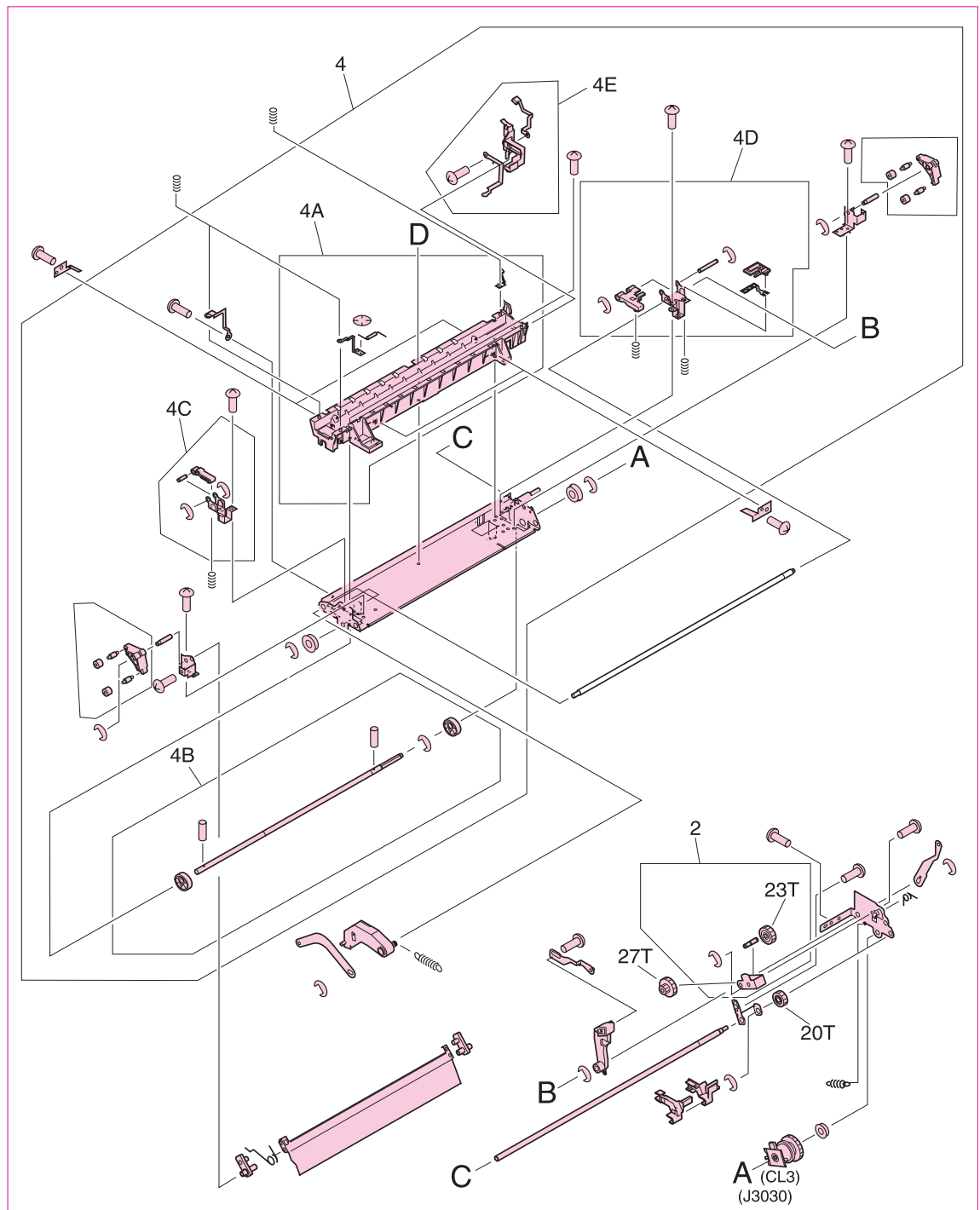
**Note**

Callout numbers that are followed by a "T" indicate the number of teeth on the specified gear. For example, 21T is a gear with 21 teeth.

**Table 111. Registration assembly**

<b>Ref</b>	<b>Description</b>	<b>Part number</b>	<b>Qty</b>
Figure 335; all	Registration assembly (use this part number to order the entire assembly; SR5)	RG5-6016-000CN	1
Figure 335; 1	Registration sensor holder assembly (SR4, J3032, SR3, J3031, J3027, J3029, J3031, J3032, J3100)	Not orderable	1
Figure 335; 2	Cable, sensor (J3100, J3101)	Not orderable	1
Figure 335; 3	Clutch, electrical mechanical (CL, J3029)	Not orderable	1
Figure 335; 4	Clutch, electrical mechanical (CL1, J3028)	Not orderable	1

## Secondary transfer assembly (T2) (1 of 2)



**Figure 336.** Secondary transfer assembly (T2) (1 of 2)

**Note**

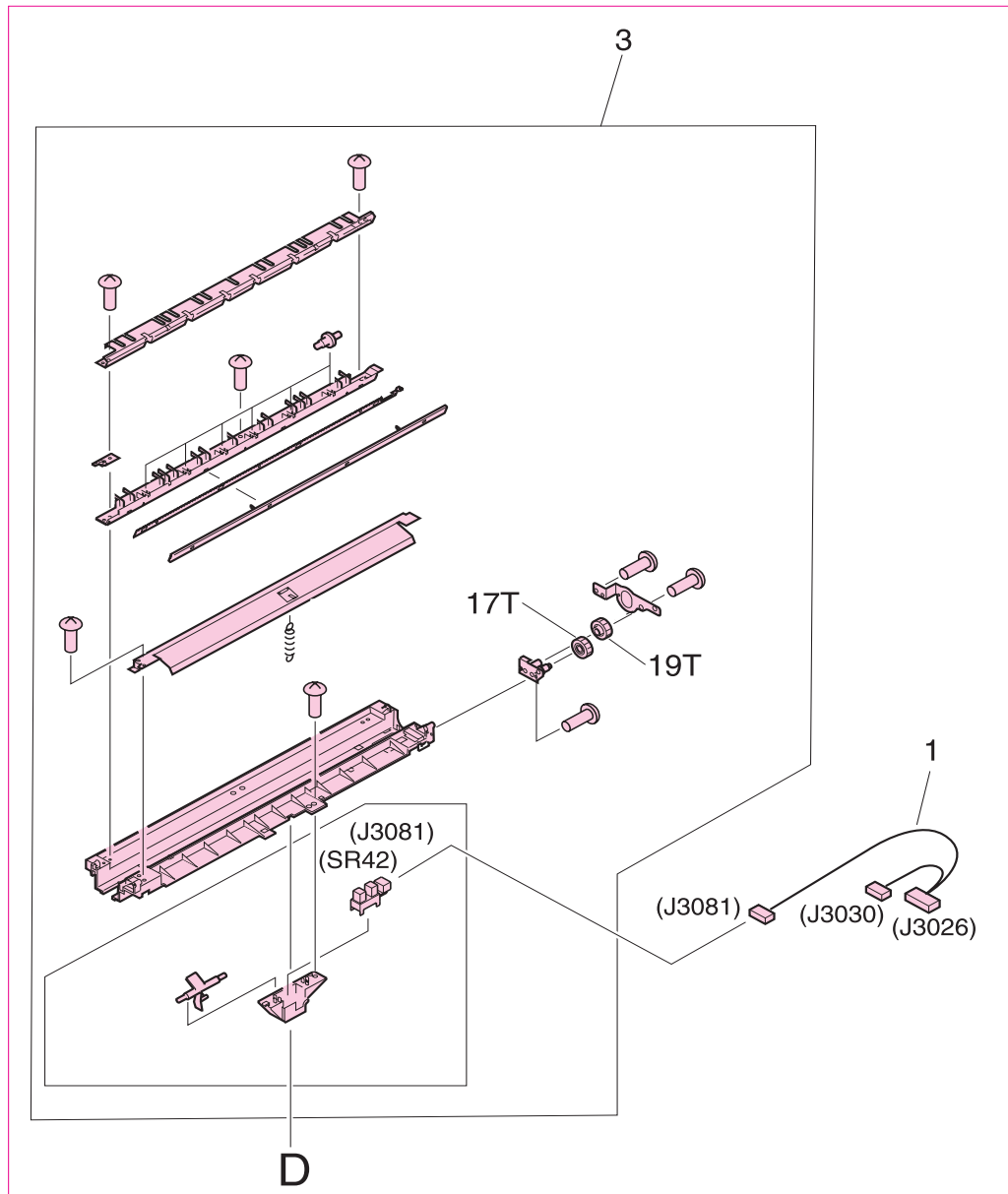
Callout numbers that are followed by a "T" indicate the number of teeth on the specified gear. For example, 21T is a gear with 21 teeth.



**Table 112. Secondary transfer assembly (T2) (1 of 2)**

<b>Ref</b>	<b>Description</b>	<b>Part number</b>	<b>Qty</b>
Figure 336; all Figure 337; all	Secondary transfer assembly (T2) (use this part number to order the entire assembly; J3026, J3030, J3081, CL3, J3030, SR42)	RG5-6179-020CN	1
Figure 336; 2	Gear holder assembly	Not orderable	1
Figure 336; 4	Crossmember assembly	Not orderable	1

## Secondary transfer assembly (T2) (2 of 2)



**Figure 337. Secondary transfer assembly (T2) (2 of 2)**

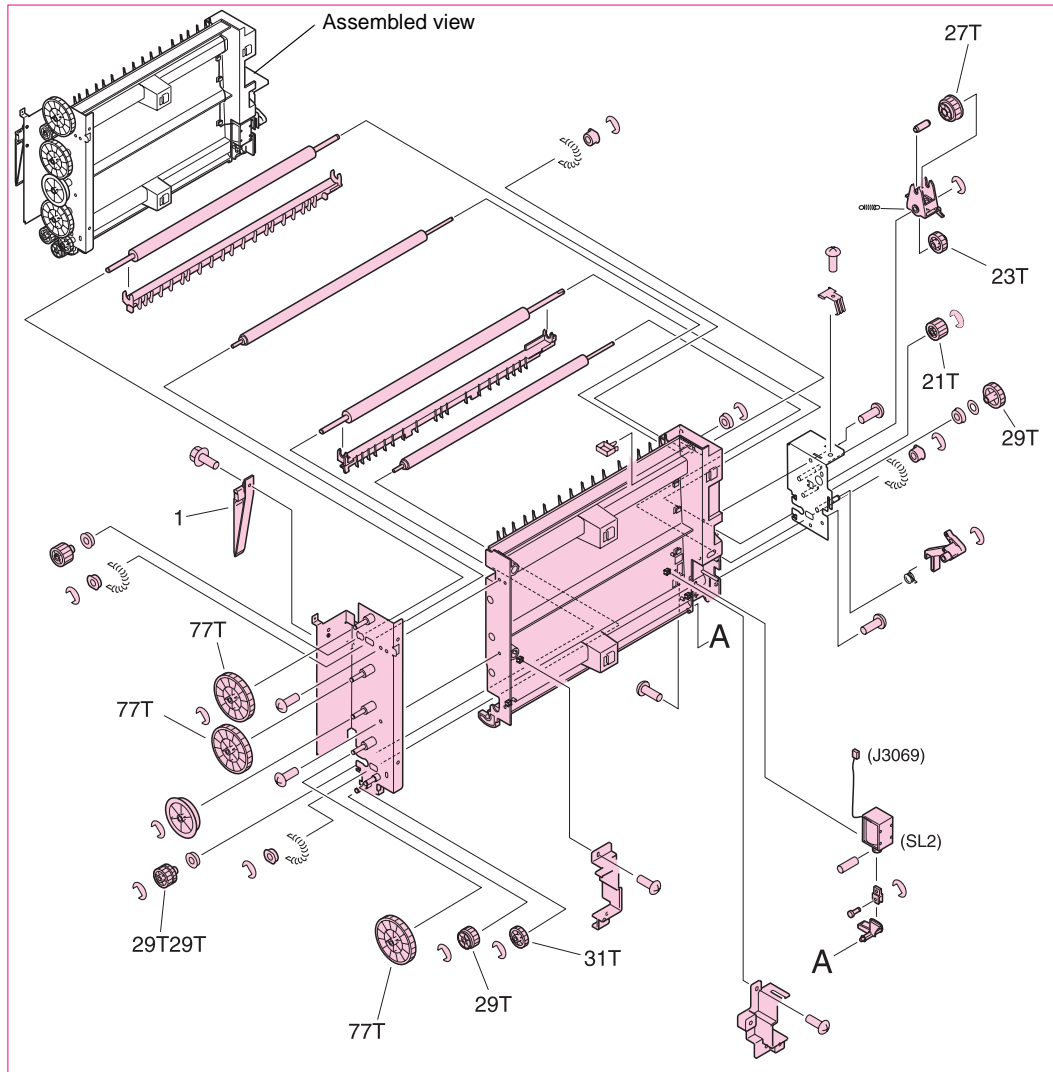
### Note

Callout numbers that are followed by a “T” indicate the number of teeth on the specified gear. For example, 21T is a gear with 21 teeth.

**Table 113. Secondary transfer assembly (T2) (2 of 2)**

Ref	Description	Part number	Qty
Figure 337; 1	Secondary transfer (T2) cable assembly (use this part number to order the entire assembly)	RG5-6179-030CN	1
Figure 337; 3	Guide, holder assembly	Not orderable	1

# Delivery feed assembly



**Figure 338. Delivery feed assembly**

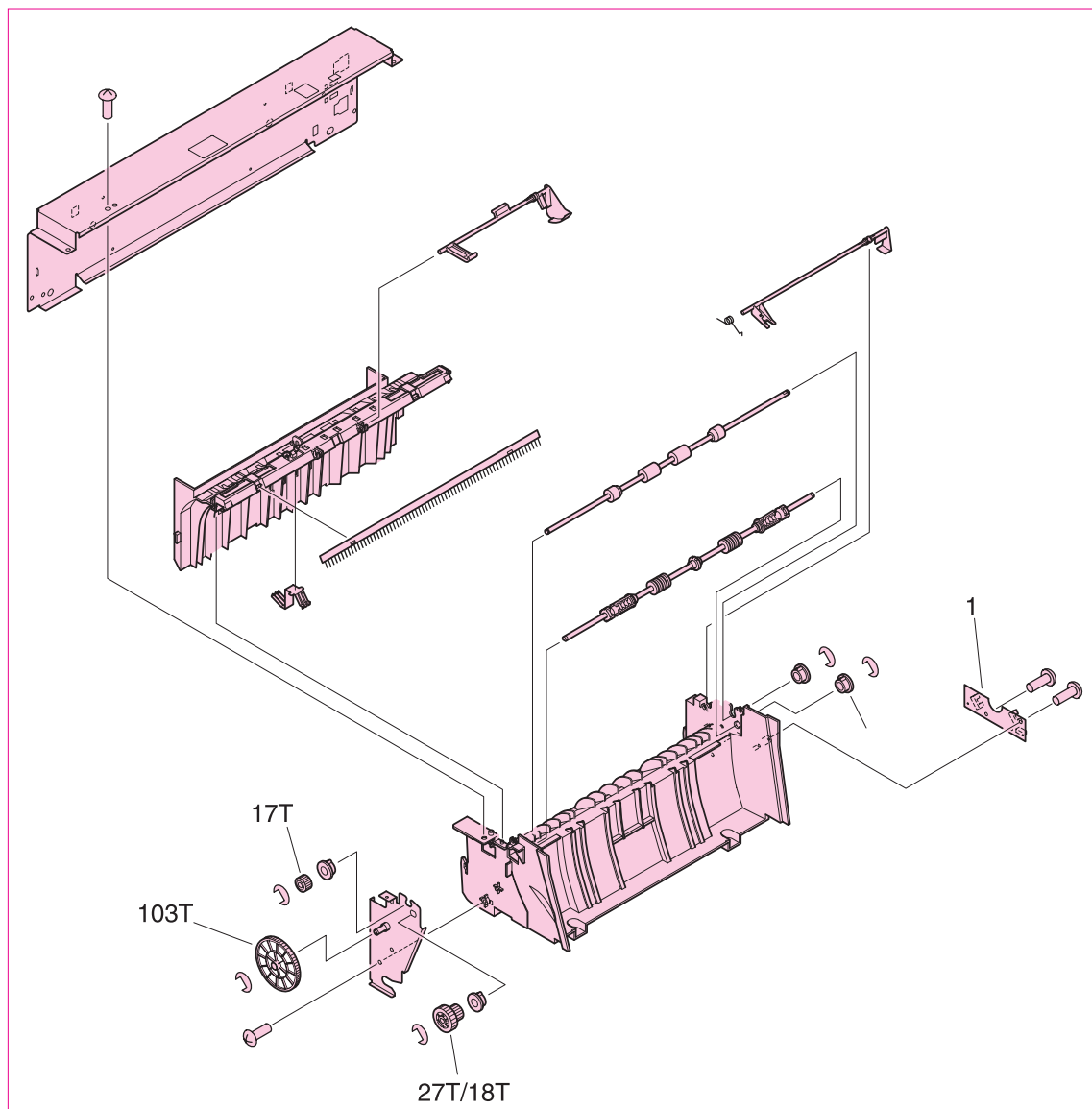
**Note**

Callout numbers that are followed by a “T” indicate the number of teeth on the specified gear. For example, 21T is a gear with 21 teeth.

**Table 114. Delivery feed assembly**

Ref	Description	Part number	Qty
Figure 338; all	Delivery feed assembly (use this part number to order the entire assembly; SL2, J3069) (HP CLJ 9500 only)	RG5-6150-000CN	1
Figure 338; all	Delivery feed assembly (use this part number to order the entire assembly; SL2, J3069) (HP CLJ 9500 only)	RG5-6190-000CN	1
Figure 338; 1	Door tape	RB2-7447-000CN	1
Figure 338; 2	Screw, RS M3X6	Not orderable	2

## Face down delivery assembly



**Figure 339.** Face down delivery assembly

### Note

Callout numbers that are followed by a “T” indicate the number of teeth on the specified gear. For example, 21T is a gear with 21 teeth.

**Table 115.** Face down delivery feed assembly

Ref	Description	Part number	Qty
Figure 339; all	Face-down delivery assembly (use this part number to order the entire assembly)	RG5-6017-030CN	1
Figure 339; 1	Face-down delivery sensor PCB assembly	Not orderable	1

## Delivery cover assembly

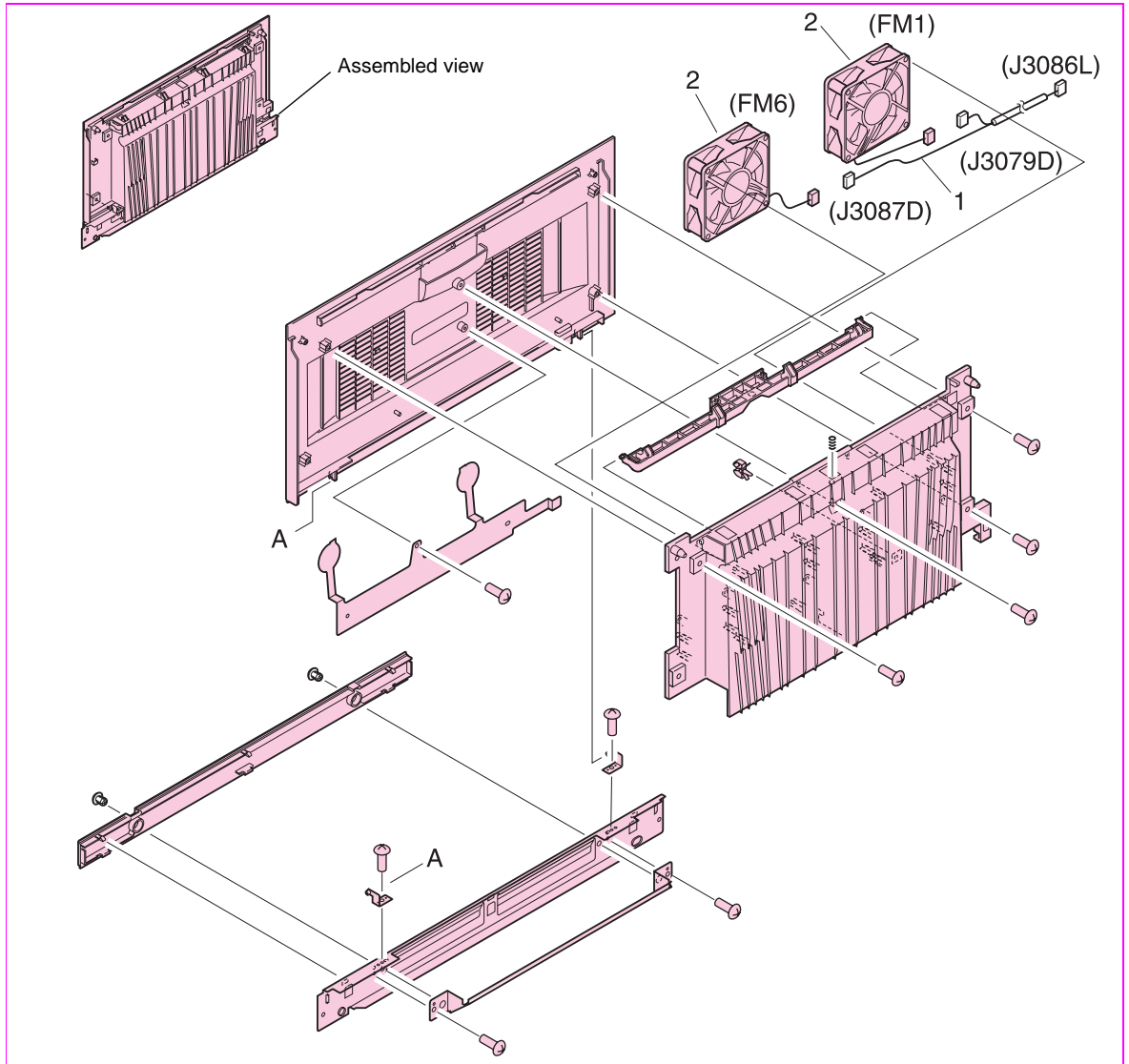


Figure 340. Delivery cover assembly

Table 116. Delivery cover assembly

Ref	Description	Part number	Qty
Figure 340; all	Delivery cover assembly (use this part number to order the entire assembly) (HP CLJ 9500 only) †	RG5-6151-000CN	1
Figure 340; all	Delivery cover assembly (use this part number to order the entire assembly) (HP CLJ 9500mfp only) †	RG5-6191-000CN	1
Figure 340; 1	Delivery fan cable	Not orderable	1
Figure 340; 2	Fan (HP CLJ 9500 only)	RH7-1546-000CN	2

## Fuser assembly

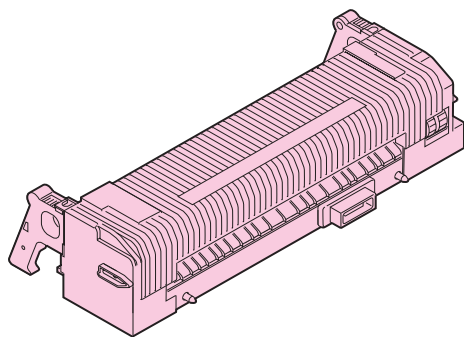
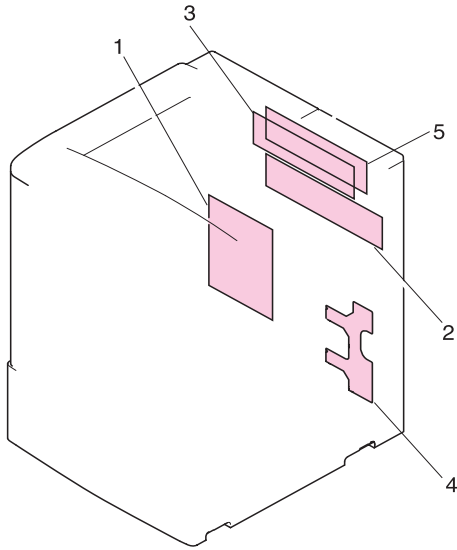


Figure 341. Fuser assembly

Table 117. Fuser assembly

Ref	Description	Part number	Qty
Figure 341; all	Fuser assembly	RG5-6098-000CN new C8546-69007 exchange	1

## PCB assemblies



**Figure 342.** PCB assemblies

**Table 118. PCB assemblies**

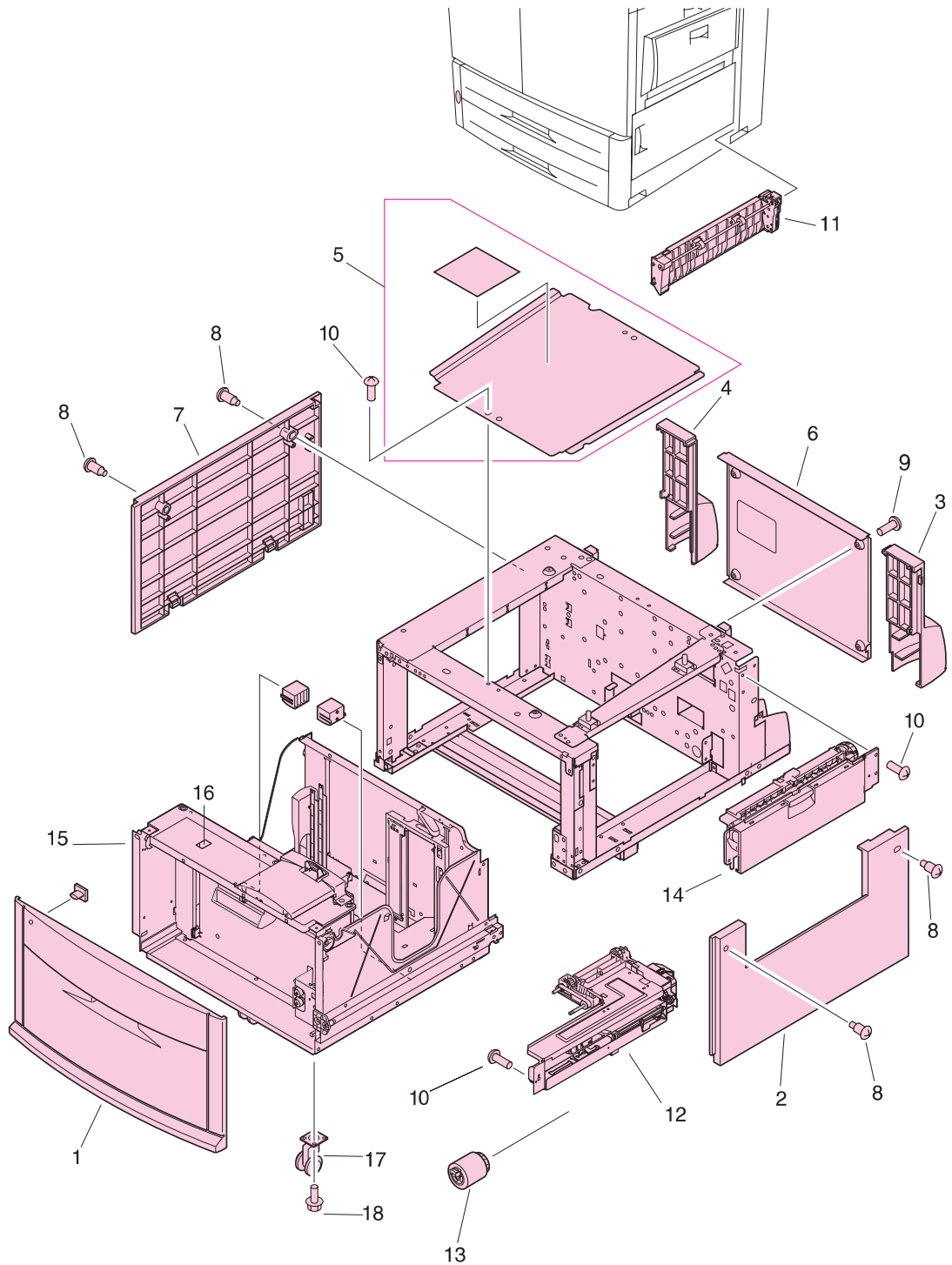
Ref	Description	Part number	Qty
Figure 342; 1	DC controller PCB assembly	RG5-5901-060CN	1
Figure 342; 2	Process cartridge (image drum) PCB assembly	RG5-5905-000CN	1
Figure 342; 3	Memory switch PCB assembly	Not orderable	1
Figure 342; 4	Feed PCB assembly	Not orderable	1
Figure 342; 5	crg (print cartridge) driver assembly	RG5-5907-020CN	1

# Tray 4

## Tray 4 main body

### Note

This tray 4 is only available for the HP color LaserJet 9500hdn. See your *2,000-Sheet Side Input Service manual* (PN Q1891-90901) for parts information about the MFP tray 4.

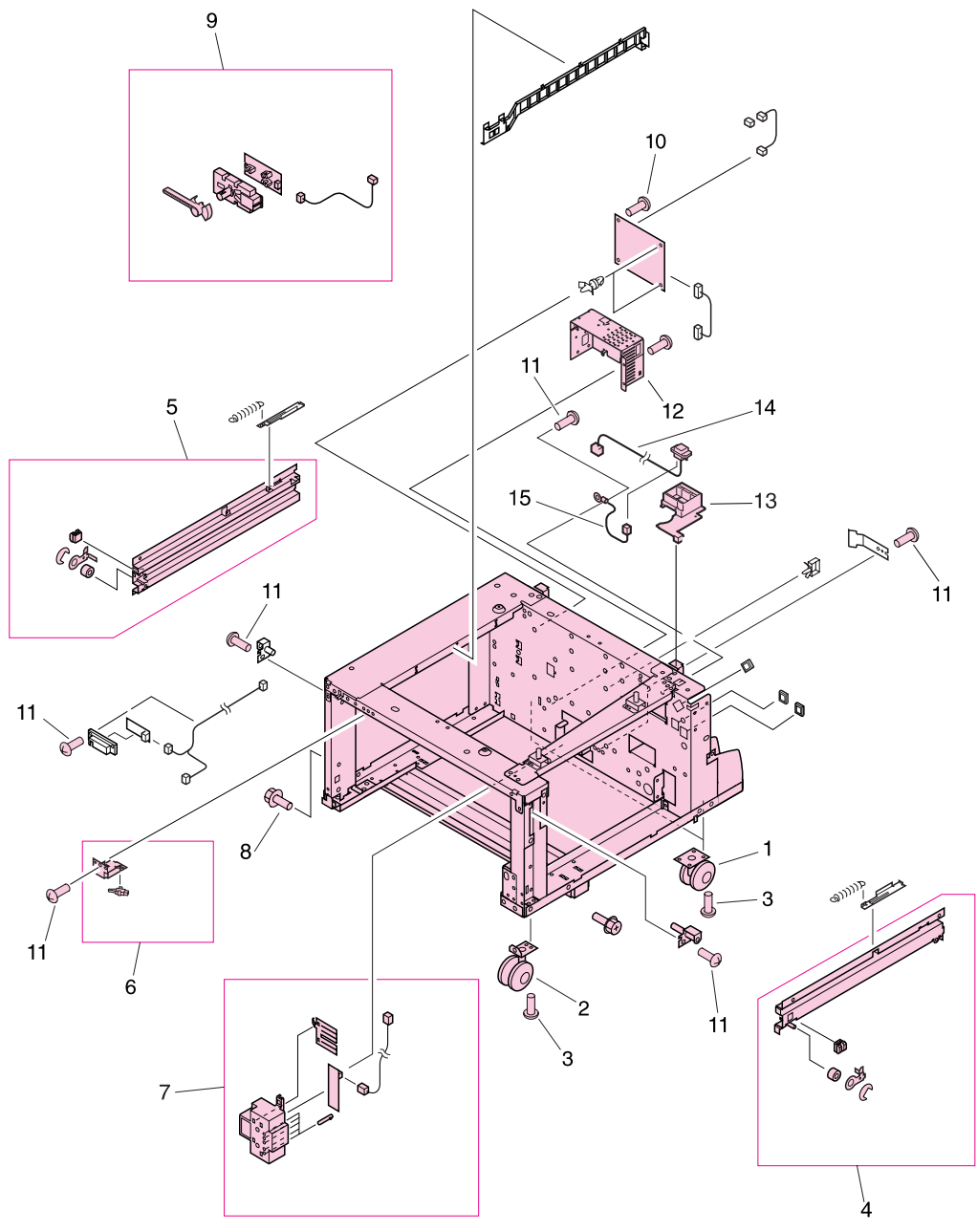


**Figure 343.** Tray 4 main body (1 of 2)



**Table 119. Tray 4 main body (1 of 2)**

<b>Ref</b>	<b>Description</b>	<b>Part number</b>	<b>Qty</b>
Figure 343; 1	Cover, front	RB2-7648-000CN	1
Figure 343; 2	Cover, right	RB2-7649-000CN	1
Figure 343; 3	Cover, right back	RB2-7650-000CN	1
Figure 343; 4	Cover, left back	RB2-7651-000CN	1
Figure 343; 5	Cover, center	RB2-7652-000CN	1
Figure 343; 6	Cover, back	RF5-3644-000CN	1
Figure 343; 7	Cover, left	RF5-3645-000CN	1
Figure 343; 8	Screw, stepped	RS5-9099-000CN	
Figure 343; 9	Screw, W/W, M4 by 6	XA-0994-000CN	
Figure 343; 10	Screw, M4 by 6	XB6-7400-000CN	
Figure 343; 11	Paper path connection unit (PPCU)	RG5-6227-000CN	1
Figure 343; 12	Paper input unit (PIU)	RG5-6208-120CN	1
Figure 343; 13	Feed/separation rollers	RF5-3338-000CN	3
Figure 343; 14	Tray 4 vertical registration assembly (VTU/VRA)	RG5-6225-050CN	1
Figure 343; 15	Tray 4	RG5-6212-300CN	1
Figure 343; 16	Lever, standard/custom	RB2-7762-000CN	1
Figure 343; 17	Caster	RB2-7709-000CN	1
Figure 343; 18	Screw, M4 by 8	XA9-0732-000CN	
Not shown	Tray 4-to-engine stabilizing screws	0515-4318	2

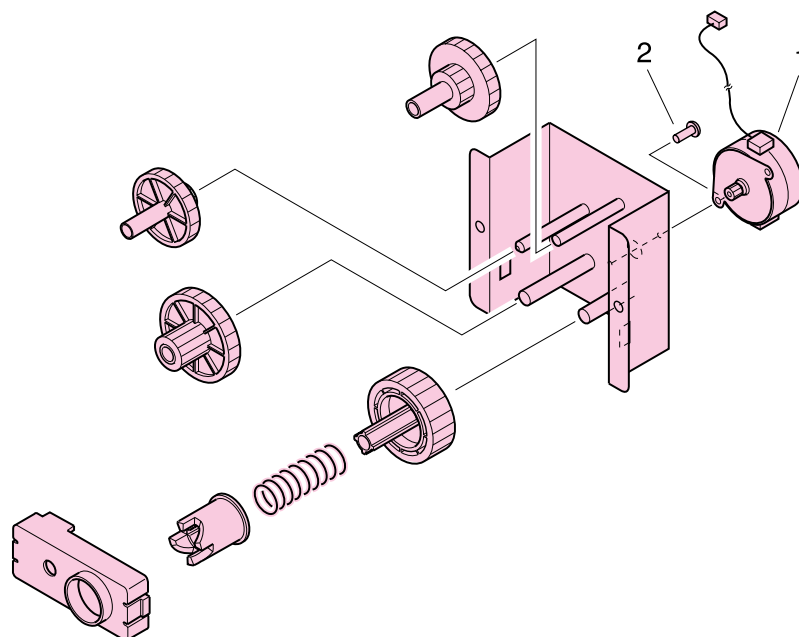


**Figure 344.** Tray 4 main body (2 of 2)

**Table 120. Tray 4 main body (2 of 2)**

<b>Ref</b>	<b>Description</b>	<b>Part number</b>	<b>Qty</b>
Figure 344; 1	Caster, back	RB2-7678-000CN	2
Figure 344; 2	Caster, front swivel	RB3-0304-040CN	2
Figure 344; 3	Screw, M5 by 12	XA9-0912-000CN	
Figure 344; 6	Switch assembly (SW21)	RG5-6206-000CN	1
Figure 344; 7	Paper size sensing assembly	RG5-6207-040CN	1
Figure 344; 8	Screws, M4 by 8	XA9-0732-000CN	
Figure 344; 9	Paper volume sensing assembly	RG5-6229-000CN	1
Figure 344; 10	Screw, M4 by 6	XB6-7300-607CN	
Figure 344; 11	Screw, M4 by 6	XA9-0994-000CN	
Figure 344; 12	Power supply	RG5-6250-000CN	1
Figure 344; 13	Jet-Link holder	RB2-7662-000CN	1
Figure 344; 14	Jet-Link cable assembly	RG5-6240-000CN	1
Figure 344; 15	Jet-Link grounding cable	RG5-6249-000CN	1

## Tray 4 drive assembly

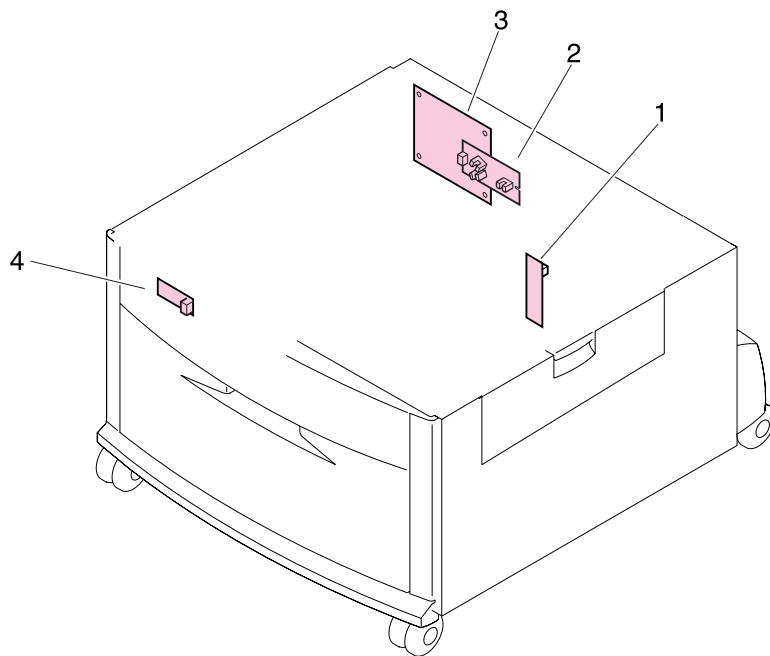


**Figure 345.** Tray 4 drive assembly

**Table 121.** Tray 4 drive assembly

Ref	Description	Part number	Qty
Figure 345; all	Tray 4 deck drive assembly	RG5-6228-040CN	1
Figure 345; 1	Motor (M303)	RH7-1481-000CN	1
Figure 345; 2	Screw, M3 by 6	XB2-6300-607CN	

## Tray 4 PCA location



**Figure 346.** Tray 4 PCA location

**Table 122.** Tray 4 PCA location

Ref	Description	Part number	Qty
Figure 346; 1	Paper size PCA	RG5-6238-000CN	1
Figure 346; 2	Paper volume PCA	RG5-6237-000CN	1
Figure 346; 3	Deck controller PCA	RG5-6235-100CN	1
Figure 346; 4	LED PCA	RG5-6239-000CN	1

# Pedestal

## Pedestal main body (1 of 2)

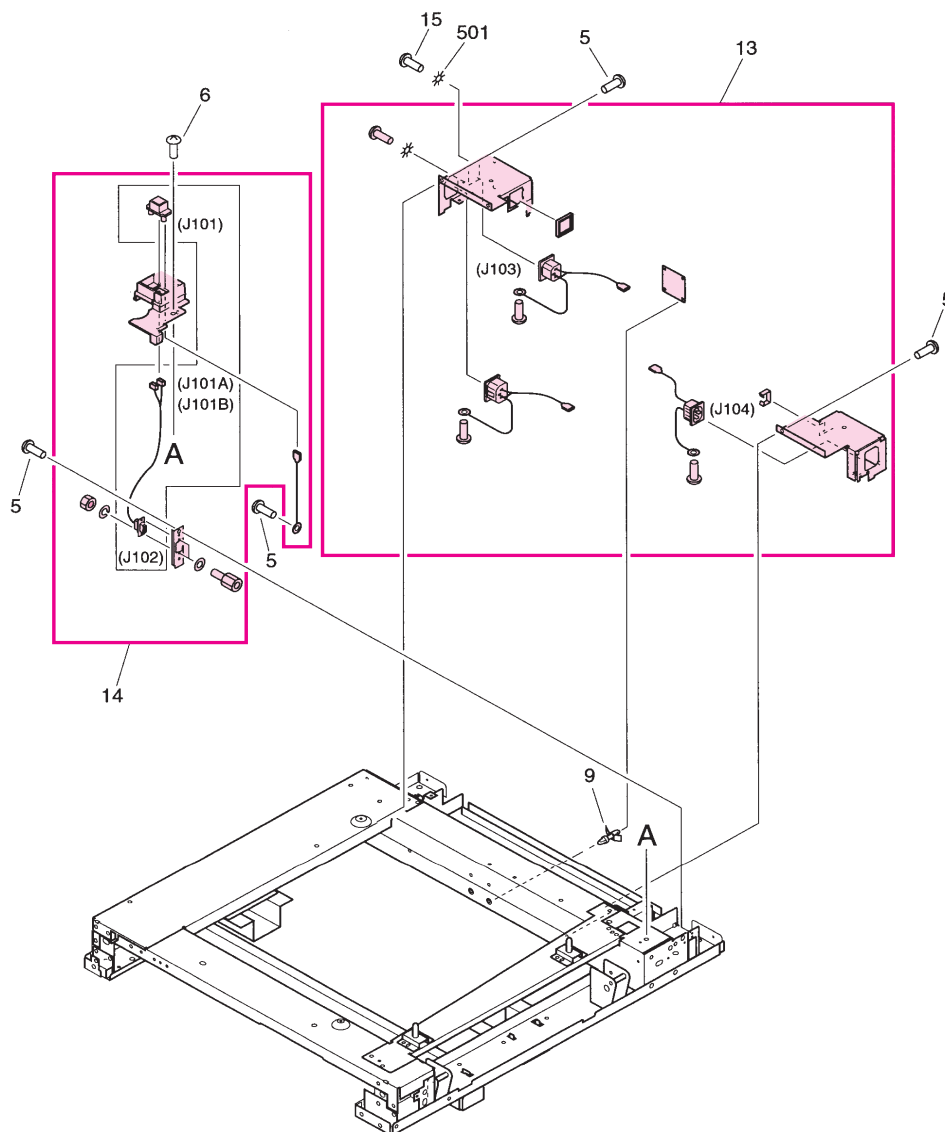
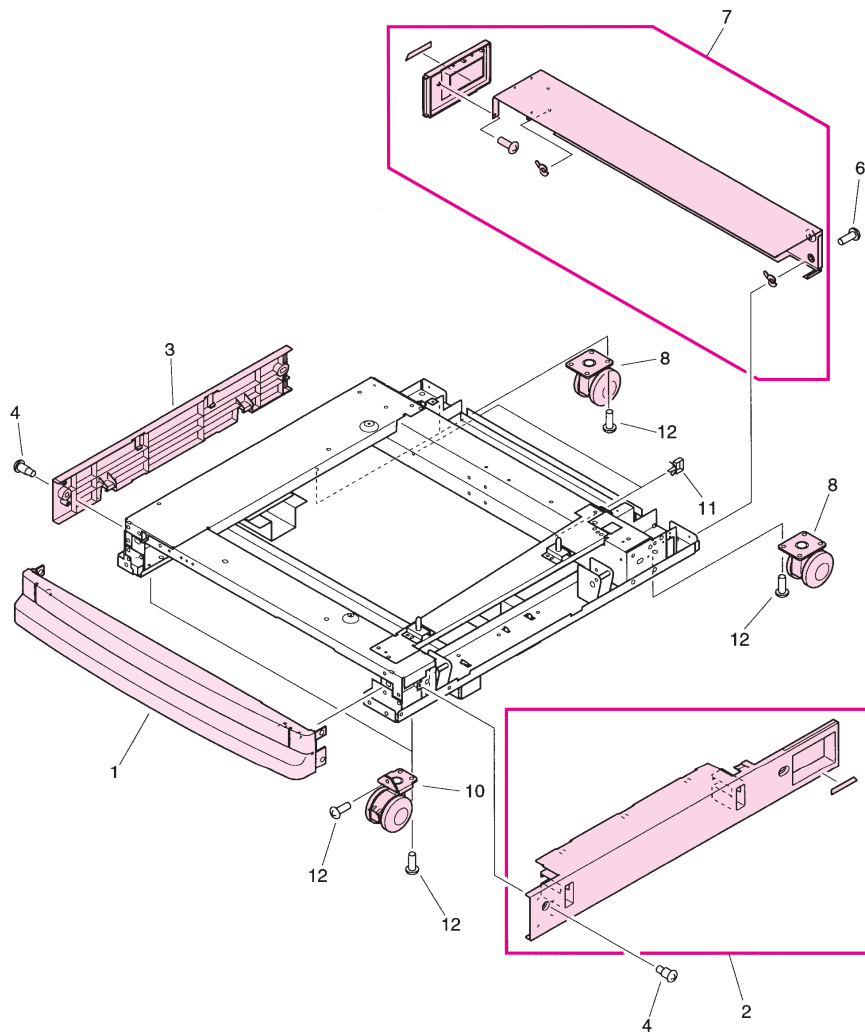


Figure 347. Pedestal main body (1 of 2)

Table 123. Pedestal main body (1 of 2)

Ref	Description	Part number	Qty
Figure 347; 5	Screw, w washer M4X8	Not orderable	5
Figure 347; 6	Screw, TP M4X6	Not orderable	5
Figure 347; ;9	Support, PCA	Not orderable	4
Figure 347; 13	Connector PCA assembly	RG5-6979-000CN	1
Figure 347; 14	Cable holder assembly	RG5-6981-000CN	1
Figure 347; 501	Washer toothhed lock	Not orderable	

## Pedestal main body (2 of 2)



**Figure 348.** Pedestal main body (2 of 2)

**Table 124.** Pedestal main body (2 of 2)

Ref	Description	Part number	Qty
Figure 348; 1	Cover, pedestal front	RB3-0287-000CN	1
Figure 348; 2	Cover, pedestal right	RF5-4254-000CN	1
Figure 348; 3	Cover, pedestal left	RB3-0289-000CN	1
Figure 348; 4	Screw, stepped	Not orderable	4
Figure 348; 7	Cover, pedestal rear	RG5-6982-000CN	1
Figure 348; 10	Caster, pedestal	RB3-7678-000CN	2
Figure 348; 11	Clip, cable	Not orderable	3
Figure 348; 12	Screw, W washer M5X12	Not orderable	21

# Master parts lists

## Alphabetical parts list

### Note

The master parts tables (alphabetical and numerical) list FRUs available from HP. For a complete list of parts found in the HP LaserJet 9500 series printer, refer to the exploded view illustrations in this chapter. Parts not listed in this table might be part of a larger subassembly.

**Table 125. Alphabetical parts list**

Ref	Description	Part number	Qty
Figure 326; 1	Antenna holder assembly	RG5-6026-000CN	4
Figure 327; 4	Antenna holder assembly	RG5-6026-000CN	4
Figure 321; 2	Block, damper	RB2-7217-000CN	1
NA	Cable, AC (HP CLJ 9500mfp only)	RG5-5991-000CN	1
Figure 324; 23	Cable, flat	RH2-5509-000CN	1
Figure 324; 24	Cable, flat	RH2-5507-000CN	1
Figure 327; 2	Cable, flat	RH2-5508-000CN	1
Figure 324; 17	Cable, formatter	RG5-5933-000CN	1
Figure 324; 16	Cable, fuser motor	RG5-5952-000CN	1
NA	Cable, grounding (NHP CLJ 9500 only)	RG5-5992-000CN	1
Figure 324; 18	Cable, high-voltage	RG5-5937-000CN	1
Figure 324; 15	Cable, high-voltage control	RG5-5940-000CN	1
Figure 347; 14	Cable holder assembly	RG5-6981-000CN	1
Figure 322; 9	Cable, laser assembly	RG5-6148-000CN	1
Figure 324; 27	Cable, post controller	RG5-5966-000CN	1
Figure 324; 14	Cable, process cartridge	RG5-5938-000CN	1
Figure 324; 22	Cable, rear holder assembly	RG5-6159-000CN	1
Figure 324; 13	Cable, rear lower	RG5-5919-000CN	1
Figure 324; 29	Cable, rear lower	RG5-5975-000CN	1
Figure 324; 19	Cable, rear upper (HP CLJ 9500 only)	RG5-5920-000CN	1
Figure 324; 19	Cable, rear upper (HP CLJ 9500mfp only)	RG5-5990-000CN	1
Figure 327; 7	Cable, right rear 1	RG5-5962-000CN	1
Figure 327; 8	Cable, right rear 2	RG5-5963-000CN	1
Figure 321; 6	Cartridge, click support assembly	RG5-6141-020CN	1
Figure 329; all	Cassette (use this part number to order the entire assembly)	RG5-5635-080CN	2
Figure 343; 17	Caster	RB2-7709-000CN	1
Figure 344; 1	Caster, back	RB2-7678-000CN	2
Figure 344; 2	Caster, front swivel	RB3-0304-040CN	2
Figure 348; 10	Caster, pedestal	RB3-7678-000CN	2
Figure 323; 9	Connector assembly	RG5-5779-000CN	1
Figure 323; 16	Connector, 10P	VS1-5057-010CN	1
Figure 323; 17	Connector, 20P	VS1-5057-020CN	1
Figure 323; 14	Connector, 3P	VS1-5057-003CN	1
Figure 323; 15	Connector, 5P	VS1-5057-005CN	1



**Table 125. Alphabetical parts list (continued)**

Ref	Description	Part number	Qty
Figure 347; 13	Connector PCA assembly	RG5-6979-000CN	1
See table 85 on page 479.	Control panel overlay	NA	1
Figure 343; 6	Cover, back	RF5-3644-000CN	1
Figure 343; 5	Cover, center	RB2-7652-000CN	1
Figure 343; 1	Cover, front	RB2-7648-000CN	1
Figure 312; 7	Cover, front left	RB2-5683-000CN	1
Figure 312; 6	Cover, front right	RB2-5682-000CN	1
Figure 343; 7	Cover, left	RF5-3645-000CN	1
Figure 314; all	Cover, left assembly	RG5-6149-000CN	1
Figure 343; 4	Cover, left back	RB2-7651-000CN	1
Figure 312; 16	Cover, left back assembly	RG5-6111-000CN	1
Figure 312; 4	Cover, left front	RB2-7335-000CN	1
Figure 312; 3	Cover, left lower	RB2-5687-000CN	1
Figure 312; 1	Cover, left upper (HP CLJ 9500 only)	RB2-7336-000CN	1
Figure 319; 31	Cover, rail	RB2-7531-000CN	1
Figure 313; 20	Cover, rear assembly	RG5-6042-000CN	1
Figure 343; 2	Cover, right	RB2-7649-000CN	1
Figure 343; 3	Cover, right back	RB2-7650-000CN	1
Figure 313; 8	Cover, right back	RB2-7352-000CN	1
Figure 313; 23	Cover, right front	RB2-7331-000CN	1
Figure 313; 5	Cover, right lower	RB2-5689-000CN	1
Figure 313; 14	Cover, right upper	RB2-7332-000CN	1
Figure 348; 1	Cover, pedestal front	RB3-0287-000CN	1
Figure 348; 3	Cover, pedestal left	RB3-0289-000CN	1
Figure 348; 7	Cover, pedestal rear	RG5-6982-000CN	1
Figure 348; 2	Cover, pedestal right	RF5-4254-000CN	1
Figure 313; 17	Cover, top left assembly (HP LJ 9500 only)	RG5-6112-000CN	1
Figure 313; 13	Cover, top right (HP CLJ 9500 only)	RB2-7321-000CN	1
Figure 323; 5	Cover, transfer cable	RB2-7444-000CN	1
Figure 320; 34	Cover, transfer front	RB2-7445-000CN	1
Figure 342; 5	crg (print cartridge) driver assembly	RG5-5907-020CN	1
Figure 327; 6	crg driver PCB assembly (print cartridge drive)	RG5-5907-020CN	1
Figure 314; 1	Dampener, left cover assembly	RG5-6185-000CN	1
Figure 342; 1	DC controller PCB assembly	RG5-5901-060CN new C8546-69005 exchange	1
Figure 346; 3	Deck controller PCA	RG5-6235-100CN	1
Figure 340; all	Delivery cover assembly (use this part number to order the entire assembly) (HP CLJ 9500 only)	RG5-6151-000CN	1
Figure 311; ; 1	Delivery cover assembly (use this part number to order the entire assembly) (HP CLJ 9500mfp only)	RG5-6191-000CN	
Figure 338; all	Delivery feed assembly (use this part number to order the entire assembly) (HP CLJ 9500 only)	RG5-6150-000CN	1

**Table 125. Alphabetical parts list (continued)**

Ref	Description	Part number	Qty
Figure 311; 2	Delivery feed assembly (use this part number to order the entire assembly) (HP CLJ 9500mfp only)	RG5-6190-000CN	1
Figure 313; 15	Display, panel assembly (control panel) (HP CLJ 9500 only)	RG5-6115-030CN	1
Figure 313; 15	Display, panel assembly (control panel) (HP CLJ 9500mfp only)	5851-1838	1
Figure 312; 19	Door, front left assembly	RG5-6114-020CN	1
Figure 312; 18	Door, front right assembly	RG5-6113-000CN	1
Figure 315; all	Door, right assembly	RG5-6108-000CN	1
Figure 323; 10	End paper sensor assembly	RG5-5699-000CN	2
Figure 339; al	Face-down delivery assembly (use this part number to order the entire assembly) (HP CLJ 9500 only)	RG5-6017-000CN	1
Figure 322; 14	Fan	RH7-1554-000CN	1
Figure 322; 16	Fan	RH7-1564-000CN	1
Figure 324; 20	Fan	RH7-1521-000CN	1
Figure 324; 21	Fan	RH7-1522-000CN	1
Figure 340; 2	Fan (HP CLJ 9500 only)	RH7-1546-000CN	2
Figure 343; 13	Feed/separation rollers	RF5-3338-000CN	3
Figure 313; 9	Filter, air	RB2-7170-000CN	1
Figure 313; 27	Filter, ozone	RB2-7206-000CN	1
Figure 341; all	Fuser assembly	RG5-6098-000CN new C8546-69007 exchange	1
Figure 318; 20	Fuser connecting cable assembly	RG5-5925-000CN	1
Figure 328; all	Fuser drive assembly	RG5-6018-000CN	1
Figure 318; 21	Fuser sensor cable assembly	RG5-5932-000CN	1
Figure 318; 19	Fuser sensor PCB assembly	RG5-5914-000CN	1
Figure 319; 2	Guide, cleaner	RB2-7181-000CN	2
Figure 310; 1	Guide, feed (HP CLJ9500mfp only)	RB2-7376-000CN	1
Figure 324; 2	High-voltage connector PCB assembly	RG5-6032-000CN	1
Figure 324; 12	High-voltage holder assembly	RG5-6129-000CN	1
Figure 324; 1	High-voltage PCB assembly	RG5-6031-000CN	1
Figure 324; 25	High-voltage power supply PCB unit	RH3-0353-020CN	1
Figure 320; 36	Holder, stop (Also order RF5-3502-000CN at the same time)	RB2-7501-000CN	1
Figure 313; 10	Hood, fan	RF-5-3555-000CN	1
Figure 322; 12	Humidity sensor assembly	RG5-6153-000CN	1
Figure 318; 2	Intermediate transfer belt (ITB) assembly	RG5-6180-080CN	1
Figure 316; 10	Intermediate transfer belt (ITB) cleaner assembly	RG5-6041-040CN	1
Figure 319; 30	Intermediate transfer belt (ITB) sensor cable assembly	RG5-5960-000CN	1
Figure 344; 14	Jet-Link cable assembly	RG5-6240-000CN	1
Figure 344; 15	Jet-Link grounding cable	RG5-6249-000CN	1
Figure 344; 13	Jet-Link holder	RB2-7662-000CN	1
Figure 346; 4	LED PCA	RG5-6239-000CN	1
Figure 322; 4	Left interlock assembly	RG5-6037-000CN	1
Figure 317; 6	Lever assembly	RG5-6134-020CN	1
Figure 343; 16	Lever, standard/custom	RB2-7762-000CN	1

**Table 125. Alphabetical parts list (continued)**

Ref	Description	Part number	Qty
Figure 317; 5	Lift link shaft assembly	RG5-6132-000CN	1
Figure 317; 4	Lift rod front assembly	RG5-6131-000CN	1
Figure 317; 7	Link rear unit	RG5-6147-000CN	1
Figure 320; 35	Link, front (Also order RB2-7501-000CN at the same time)	RF5-3502-000CN	1
Figure 319; 4	Link, holder lift	RB2-7258-000CN	1
Figure 318; 5	Main fuser front guide assembly	RG9-1595-000CN	1
Figure 333; all Figure 334; all	Manual feed pickup assembly (tray 1)	RG5-6090-190CN	1
Figure 327; 1	Memory switch PCB assembly	RG5-5909-000CN	1
Figure 345; 1	Motor (M303)	RH7-1481-000CN	1
Figure 320; 17	Motor, DC24V	RH7-1518-000CN	1
Figure 328; 1	Motor, DC24V	RH7-1519-000CN	1
Figure 318; 4	Mount, dampener	RB2-5570-020CN	2
Figure 322; 10	M-purpose support assembly rear	RG5-6107-000CN	1
Figure 322; 3	Paper delivery sensor assembly	RG5-6152-000CN	1
Figure 343; 12	Paper input unit (PIU)	RG5-6208-120CN	1
Figure 343; 11	Paper path connection unit (PPCU)	RG5-6227-000CN	1
Figure 330; all Figure 331; all Figure 332; all	Paper pickup assembly (use this part number to order the entire assembly)	RG5-6196-000CN	1
Figure 346; 1	Paper size PCA	RG5-6238-000CN	1
Figure 344; 7	Paper size sensing assembly	RG5-6207-040CN	1
Figure 346; 2	Paper volume PCA	RG5-6237-000CN	1
Figure 344; 9	Paper volume sensing assembly	RG5-6229-000CN	1
Figure 319; 24	P-CRG open/close cover assembly	RG5-6182-000CN	1
Figure 318; 16	Photo interrupter (TLP1241)	WG8-5362-000CN	1
Figure 319; 29	Photo interrupter (TLP1241)	WG8-5362-000CN	1
Figure 327; 10	Photo-interrupter TLP1241	WG8-5362-000CN	4
Figure 325; 1	Pin holder unit (registration drive assembly)	RG5-6160-000CN	1
Figure 321; 31	Plate, grounding	RB2-7281-000CN	1
Figure 319; 13	Plate, mount	RF5-3505-000CN	1
Figure 319; 6	Plate, positioning	RB2-7537-000CN	1
Figure 344; 12	Power supply	RG5-6250-000CN	1
Figure 324; 7	Power supply assembly 110-127V	RH3-2236-030CN new	1
	Power supply assembly 220-240V	C8546-69003 exchange	1
		RH3-2237-040CN new	1
		C8546-69004 exchange	1
Figure 326; 2	Process cartridge (image drum) PCB assembly	RG5-5905-000CN	1
Figure 342; 2	Process cartridge (image drum) PCB assembly	RG5-5905-000CN	1
Figure 326; all	Process cartridge drive assembly	RG5-6188-030CN new	1
		C8546-69006 exchange	1
Figure 319; 26	Rail, guide front	RF5-3545-000CN	1
Figure 321; 30	Rail, guide rear	RF5-3546-020CN	1
Figure 335; all	Registration assembly (use this part number to order the entire assembly)	RG5-6016-000CN	1

**Table 125. Alphabetical parts list (continued)**

Ref	Description	Part number	Qty
Figure 325; all	Registration drive assembly	RG5-6015-000CN	1
Figure 319; 25	Registration sensor assembly	RG5-6123-020CN	1
Figure 324; 28	Regulator PCB assembly	RG5-5971-000CN	1
Figure 322; 13	Right interlock assembly	RG5-6036-000CN	1
Figure 321; 19	Right upper crossmember cable (HP CLJ 9500 only)	RG5-5943-000CN	1
Figure 321; 19	Right upper crossmember cable (HP CLJ 9500mfp only)	RG5-5974-000CN	1
Figure 323; 4	Rod, switch	RB2-7354-000CN	1
Figure 320; 2	Roller	RF5-3338-000CN	4
Figure 320; 3	Roller, pickup	RF5-3340-000CN	2
Figure 320; 29	Scanner assembly	RG5-6181-000CN	4
Figure 345; 2	Screw, M3 by 6	XB2-6300-607CN	
Figure 344; 10	Screw, M4 by 6	XB6-7300-607CN	
Figure 344; 11	Screw, M4 by 6	XA9-0994-000CN	
Figure 343; 10	Screw, M4 by 6	XB6-7400-000CN	
Figure 343; 18	Screw, M4 by 8	XA9-0732-000CN	
Figure 344; 3	Screw, M5 by 12	XA9-0912-000CN	
Figure 343; 8	Screw, stepped	RS5-9099-000CN	
Figure 343; 9	Screw, W/W, M4 by 6	XA-0994-000CN	
Figure 344; 8	Screws, M4 by 8	XA9-0732-000CN	
Figure 336; all Figure 337; all	Secondary transfer assembly (T2) (use this part number to order the entire assembly)	RG5-6179-030CN	1
Figure 322; 11	Slide arm assembly	RG5-6130-000CN	1
Figure 317; 3	Soft link shaft assembly	RG5-6122-000CN	1
Figure 320; 33	Spring, compression	RS6-2840-000CN	1
Figure 318; 14	Spring, tension	RS6-2442-000CN	1
Figure 318; 6	Sub fuser front guide assembly	RG9-1596-000CN	1
Figure 319; 5	Support, cleaning front	RB2-7570-000CN	1
Figure 319; 11	Support, cleaning front	RB2-7515-000CN	1
Figure 319; 8	Support, side plate hinge	RB2-7302-000CN	2
Figure 344; 6	Switch assembly (SW21)	RG5-6206-000CN	1
Figure 321; 28	Toner cartridge cable	RG5-5939-000CN	1
Figure 327; all	Toner cartridge drive assembly (print cartridge drive)	RG5-6022-020CN	1
Figure 316; 8	Toner cartridge lever assembly	RG5-6121-000CN	4
Figure 327; 3	Toner drive cable	RG5-5930-000CN	1
Figure 312; 26	Tongs, jam removal	RF5-3535-000CN	1
Figure 320; 1	Torque limiter	RB2-5759-000CN	1
Figure 317; 8	Transfer link front assembly	RG5-6146-000CN	1
Figure 320; 6	Transfer roller assembly	RG5-6178-030CN	1
Figure 343; 15	Tray 4	RG5-6212-230CN	1
Figure 345; all	Tray 4 deck drive assembly	RG5-6228-040CN	1
Figure 343; 14	Tray 4 vertical registration assembly (VTU/VRA)	RG5-6225-050CN	1
Not shown	Tray 4-to-engine stabilizing screws	0515-4318	2

**Table 125. Alphabetical parts list (continued)**

<b>Ref</b>	<b>Description</b>	<b>Part number</b>	<b>Qty</b>
Figure 312; 24	Tray face up delivery (HP CLJ 9500 only)	RB2-5690-000CN	1
Figure 316; 13	Tray, catch	RB2-7207-000CN	1
Figure 313; 12	Tray, delivery movable (HP CLJ 9500 only)	RB2-7341-000CN	1
Figure 316; 7	Waste toner bottle assembly	RG5-6040-020CN	1
Figure 316; 6	Waste toner sensor assembly	RG5-6038-000CN	1

## Numerical parts list

### Note

The master parts tables (alphabetical and numerical) list FRUs available from HP. For a complete list of parts found in the HP LaserJet 9500 series printer, refer to the exploded view illustrations in this chapter. Parts not listed in this table might be part of a larger subassembly.

**Table 126. Numerical parts list**

Ref	Description	Part number	Qty
See table 85 on page 479.	Control panel overlay	NA	1
Not shown	Tray 4-to-engine stabilizing screws	0515-4318	2
Figure 313; 15	Display, panel assembly (control panel) (HP CLJ 9500mfp only)	5851-1838	1
Figure 318; 4	Mount, dampener	RB2-5570-020CN	2
Figure 312; 6	Cover, front right	RB2-5682-000CN	1
Figure 312; 7	Cover, front left	RB2-5683-000CN	1
Figure 312; 3	Cover, left lower	RB2-5687-000CN	1
Figure 313; 5	Cover, right lower	RB2-5689-000CN	1
Figure 312; 24	Tray face up delivery (HP CLJ 9500 only)	RB2-5690-000CN	1
Figure 320; 1	Torque limiter	RB2-5759-000CN	1
Figure 313; 9	Filter, air	RB2-7170-000CN	1
Figure 319; 2	Guide, cleaner	RB2-7181-000CN	2
Figure 313; 27	Filter, ozone	RB2-7206-000CN	1
Figure 316; 13	Tray, catch	RB2-7207-000CN	1
Figure 321; 2	Block, damper	RB2-7217-000CN	1
Figure 319; 4	Link, holder lift	RB2-7258-000CN	1
Figure 321; 31	Plate, grounding	RB2-7281-000CN	1
Figure 319; 8	Support, side plate hinge	RB2-7302-000CN	2
Figure 313; 13	Cover, top right (HP CLJ 9500 only)	RB2-7321-000CN	1
Figure 313; 23	Cover, right front	RB2-7331-000CN	1
Figure 313; 14	Cover, right upper	RB2-7332-000CN	1
Figure 312; 4	Cover, left front	RB2-7335-000CN	1
Figure 312; 1	Cover, left upper (HP CLJ 9500 only)	RB2-7336-000CN	1
Figure 313; 12	Tray, delivery movable (HP CLJ 9500 only)	RB2-7341-000CN	1
Figure 313; 8	Cover, right back	RB2-7352-000CN	1
Figure 323; 4	Rod, switch	RB2-7354-000CN	1
Figure 310; 1	Guide, feed (HP CLJ 9500mfp only)	RB2-7376-000CN	1
Figure 323; 5	Cover, transfer cable	RB2-7444-000CN	1
Figure 320; 34	Cover, transfer front	RB2-7445-000CN	1
Figure 320; 36	Holder, stop (Also order RF5-3502-000CN at the same time)	RB2-7501-000CN	1
Figure 319; 11	Support, cleaning front	RB2-7515-000CN	1
Figure 319; 31	Cover, rail	RB2-7531-000CN	1
Figure 319; 6	Plate, positioning	RB2-7537-000CN	1
Figure 319; 5	Support, cleaning front	RB2-7570-000CN	1
Figure 343; 1	Cover, front	RB2-7648-000CN	1

**Table 126. Numerical parts list (continued)**

Ref	Description	Part number	Qty
Figure 343; 2	Cover, right	RB2-7649-000CN	1
Figure 343; 3	Cover, right back	RB2-7650-000CN	1
Figure 343; 4	Cover, left back	RB2-7651-000CN	1
Figure 343; 5	Cover, center	RB2-7652-000CN	1
Figure 344; 13	Jet-Link holder	RB2-7662-000CN	1
Figure 344; 1	Caster, back	RB2-7678-000CN	2
Figure 343; 17	Caster	RB2-7709-000CN	1
Figure 343; 16	Lever, standard/custom	RB2-7762-000CN	1
Figure 348; 1	Cover, pedestal front	RB3-0287-000CN	1
Figure 348; 3	Cover, pedestal left	RB3-0289-000CN	1
Figure 344; 2	Caster, front swivel	RB3-0304-040CN	2
Figure 348; 10	Caster, pedestal	RB3-7678-000CN	2
Figure 343; 13	Feed/separation rollers	RF5-3338-000CN	3
Figure 320; 2	Roller	RF5-3338-000CN	4
Figure 320; 3	Roller, pickup	RF5-3340-000CN	2
Figure 320; 35	Link, front (Also order RB2-7501-000CN at the same time)	RF5-3502-000CN	1
Figure 319; 13	Plate, mount	RF5-3505-000CN	1
Figure 312; 26	Tongs, jam removal	RF5-3535-000CN	1
Figure 319; 26	Rail, guide front	RF5-3545-000CN	1
Figure 321; 30	Rail, guide rear	RF5-3546-020CN	1
Figure 313; 10	Hood, fan	RF-5-3555-000CN	1
Figure 343; 6	Cover, back	RF5-3644-000CN	1
Figure 343; 7	Cover, left	RF5-3645-000CN	1
Figure 348; 2	Cover, pedestal right	RF5-4254-000CN	1
Figure 329; all	Cassette (use this part number to order the entire assembly)	RG5-5635-080CN	2
Figure 323; 10	End paper sensor assembly	RG5-5699-000CN	2
Figure 323; 9	Connector assembly	RG5-5779-000CN	1
Figure 342; 1	DC controller PCB assembly	RG5-5901-060CN new C8546-69005 exchange	1
Figure 326; 2	Process cartridge (image drum) PCB assembly	RG5-5905-000CN	1
Figure 342; 2	Process cartridge (image drum) PCB assembly	RG5-5905-000CN	1
Figure 342; 5	crg (print cartridge) driver assembly	RG5-5907-020CN	1
Figure 327; 6	crg driver PCB assembly (print cartridge drive)	RG5-5907-020CN	1
Figure 327; 1	Memory switch PCB assembly	RG5-5909-000CN	1
Figure 318; 19	Fuser sensor PCB assembly	RG5-5914-000CN	1
Figure 324; 13	Cable, rear lower	RG5-5919-000CN	1
Figure 324; 19	Cable, rear upper (HPCLJ 9500 only)	RG5-5920-000CN	1
Figure 318; 20	Fuser connecting cable assembly	RG5-5925-000CN	1
Figure 327; 3	Toner drive cable	RG5-5930-000CN	1
Figure 318; 21	Fuser sensor cable assembly	RG5-5932-000CN	1
Figure 324; 17	Cable, formatter	RG5-5933-000CN	1
Figure 324; 18	Cable, high-voltage	RG5-5937-000CN	1

**Table 126. Numerical parts list (continued)**

Ref	Description	Part number	Qty
Figure 324; 14	Cable, process cartridge	RG5-5938-000CN	1
Figure 321; 28	Toner cartridge cable	RG5-5939-000CN	1
Figure 324; 15	Cable, high-voltage control	RG5-5940-000CN	1
Figure 321; 19	Right upper crossmember cable (HP CLJ 9500 only)	RG5-5943-000CN	1
Figure 324; 16	Cable, fuser motor	RG5-5952-000CN	1
Figure 319; 30	Intermediate transfer belt (ITB) sensor cable assembly	RG5-5960-000CN	1
Figure 327; 7	Cable, right rear 1	RG5-5962-000CN	1
Figure 327; 8	Cable, right rear 2	RG5-5963-000CN	1
Figure 324; 27	Cable, post controller	RG5-5966-000CN	1
Figure 324; 28	Regulator PCB assembly	RG5-5971-000CN	1
Figure 321; 19	Right upper crossmember cable (HP CLJ 9500mfp only)	RG5-5974-000CN	1
Figure 324; 29	Cable, rear lower	RG5-5975-000CN	1
Figure 324; 19	Cable, rear upper (HP CLJ 9500mfp only)	RG5-5990-000CN	1
NA	Cable, AC (HP CLJ 9500mfp only)	RG5-5991-000CN	1
NA	Cable, grounding (HP CLJ 9500mfp only)	RG5-5992-000CN	1
Figure 325; all	Registration drive assembly	RG5-6015-000CN	1
Figure 335; all	Registration assembly (use this part number to order the entire assembly)	RG5-6016-000CN	1
Figure 339; al	Face-down delivery assembly (use this part number to order the entire assembly) (HP CLJ 9500 only)	RG5-6017-000CN	1
Figure 328; all	Fuser drive assembly	RG5-6018-000CN	1
Figure 327; all	Toner cartridge drive assembly (print cartridge drive)	RG5-6022-020CN	1
Figure 326; 1	Antenna holder assembly	RG5-6026-000CN	4
Figure 327; 4	Antenna holder assembly	RG5-6026-000CN	4
Figure 324; 1	High-voltage PCB assembly	RG5-6031-000CN	1
Figure 324; 2	High-voltage connector PCB assembly	RG5-6032-000CN	1
Figure 322; 13	Right interlock assembly	RG5-6036-000CN	1
Figure 322; 4	Left interlock assembly	RG5-6037-000CN	1
Figure 316; 6	Waste toner sensor assembly	RG5-6038-000CN	1
Figure 316; 7	Waste toner bottle assembly	RG5-6040-020CN	1
Figure 316; 10	Intermediate transfer belt (ITB) cleaner assembly	RG5-6041-040CN	1
Figure 313; 20	Cover, rear assembly	RG5-6042-000CN	1
Figure 333; all Figure 334; all	Manual feed pickup assembly (tray 1)	RG5-6090-190CN	1
Figure 341; all	Fuser assembly	RG5-6098-000CN new C8546-69007 exchange	1
Figure 322; 10	M-purpose support assembly rear	RG5-6107-000CN	1
Figure 312; 16	Cover, left back assembly	RG5-6111-000CN	1
Figure 313; 17	Cover, top left assembly (HP LJ 9500 only)	RG5-6112-000CN	1
Figure 312; 18	Door, front right assembly	RG5-6113-000CN	1
Figure 312; 19	Door, front left assembly	RG5-6114-020CN	1
Figure 313; 15	Display, panel assembly (control panel) (HP CLJ 9500 only)	RG5-6115-030CN	1
Figure 316; 8	Toner cartridge lever assembly	RG5-6121-000CN	4
Figure 317; 3	Soft link shaft assembly	RG5-6122-000CN	1



**Table 126. Numerical parts list (continued)**

Ref	Description	Part number	Qty
Figure 319; 25	Registration sensor assembly	RG5-6123-020CN	1
Figure 324; 12	High-voltage holder assembly	RG5-6129-000CN	1
Figure 322; 11	Slide arm assembly	RG5-6130-000CN	1
Figure 317; 4	Lift rod front assembly	RG5-6131-000CN	1
Figure 317; 5	Lift link shaft assembly	RG5-6132-000CN	1
Figure 317; 6	Lever assembly	RG5-6134-020CN	1
Figure 321; 6	Cartridge, click support assembly	RG5-6141-020CN	1
Figure 317; 8	Transfer link front assembly	RG5-6146-000CN	1
Figure 317; 7	Link rear unit	RG5-6147-000CN	1
Figure 322; 9	Cable, laser assembly	RG5-6148-000CN	1
Figure 314; all	Cover, left assembly	RG5-6149-000CN	1
Figure 315; all	Door, right assembly	RG5-6108-000CN	1
Figure 338; all	Delivery feed assembly (use this part number to order the entire assembly) (HP CLJ 9500 only) For an MFP, see table 81.	RG5-6150-000CN	1
Figure 340; all	Delivery cover assembly (use this part number to order the entire assembly) (HP CLJ 9500 only)	RG5-6151-000CN	1
Figure 322; 3	Paper delivery sensor assembly	RG5-6152-000CN	1
Figure 322; 12	Humidity sensor assembly	RG5-6153-000CN	1
Figure 324; 22	Cable, rear holder assembly	RG5-6159-000CN	1
Figure 320; 6	Transfer roller assembly	RG5-6178-030CN	1
Figure 336; all Figure 337; all	Secondary transfer assembly (T2) (use this part number to order the entire assembly)	RG5-6179-030CN	1
Figure 318; 2	Intermediate transfer belt (ITB) assembly	RG5-6180-080CN	1
Figure 320; 29	Scanner assembly	RG5-6181-000CN	4
Figure 319; 24	P-CRG open/close cover assembly	RG5-6182-000CN	1
Figure 314; 1	Dampener, left cover assembly	RG5-6185-000CN	1
Figure 326; all	Process cartridge drive assembly	RG5-6188-030CN new C8546-69006 exchange	1
Figure 325; 1	Pin holder unit (registration drive assembly)	RG5-6160-000CN	1
Figure 311; 2	Delivery feed assembly (use this part number to order the entire assembly) (HP CLJ 9500mfp only)	RG5-6190-000CN	1
Figure 311; 1	Delivery cover assembly (use this part number to order the entire assembly) (HP CLJ 9500mfp only)	RG5-6191-000CN	1
Figure 330; all Figure 331; all Figure 332; all	Paper pickup assembly (use this part number to order the entire assembly)	RG5-6196-000CN	1
Figure 344; 6	Switch assembly (SW21)	RG5-6206-000CN	1
Figure 344; 7	Paper size sensing assembly	RG5-6207-040CN	1
Figure 343; 12	Paper input unit (PIU)	RG5-6208-120CN	1
Figure 343; 15	Tray 4	RG5-6212-230CN	1
Figure 343; 14	Tray 4 vertical registration assembly (VTU/VRA)	RG5-6225-050CN	1
Figure 343; 11	Paper path connection unit (PPCU)	RG5-6227-000CN	1
Figure 345; all	Tray 4 deck drive assembly	RG5-6228-040CN	1
Figure 344; 9	Paper volume sensing assembly	RG5-6229-000CN	1
Figure 346; 3	Deck controller PCA	RG5-6235-100CN	1

**Table 126. Numerical parts list (continued)**

Ref	Description	Part number	Qty
Figure 346; 2	Paper volume PCA	RG5-6237-000CN	1
Figure 346; 1	Paper size PCA	RG5-6238-000CN	1
Figure 346; 4	LED PCA	RG5-6239-000CN	1
Figure 344; 14	Jet-Link cable assembly	RG5-6240-000CN	1
Figure 344; 15	Jet-Link grounding cable	RG5-6249-000CN	1
Figure 344; 12	Power supply	RG5-6250-000CN	1
Figure 347; 13	Connector PCA assembly	RG5-6979-000CN	1
Figure 347; 14	Cable holder assembly	RG5-6981-000CN	1
Figure 348; 7	Cover, pedestal rear	RG5-6982-000CN	1
Figure 318; 5	Main fuser front guide assembly	RG9-1595-000CN	1
Figure 318; 6	Sub fuser front guide assembly	RG9-1596-000CN	1
Figure 324; 24	Cable, flat	RH2-5507-000CN	1
Figure 327; 2	Cable, flat	RH2-5508-000CN	1
Figure 324; 23	Cable, flat	RH2-5509-000CN	1
Figure 324; 25	High-voltage power supply PCB unit	RH3-0353-020CN	1
Figure 324; 7	Power supply assembly 110-127V	RH3-2236-030CN new	1
	Power supply assembly 220-240V	C8546-69003 exchange RH3-2237-040CN new C8546-69004 exchange	1
Figure 345; 1	Motor (M303)	RH7-1481-000CN	1
Figure 320; 17	Motor, DC24V	RH7-1518-000CN	1
Figure 328; 1	Motor, DC24V	RH7-1519-000CN	1
Figure 324; 20	Fan	RH7-1521-000CN	1
Figure 324; 21	Fan	RH7-1522-000CN	1
Figure 340; 2	Fan (HP CLJ 9500 only)	RH7-1546-000CN	2
Figure 322; 14	Fan	RH7-1554-000CN	1
Figure 322; 16	Fan	RH7-1564-000CN	1
Figure 343; 8	Screw, stepped	RS5-9099-000CN	
Figure 318; 14	Spring, tension	RS6-2442-000CN	1
Figure 320; 33	Spring, compression	RS6-2840-000CN	1
Figure 323; 14	Connector, 3P	VS1-5057-003CN	1
Figure 323; 15	Connector, 5P	VS1-5057-005CN	1
Figure 323; 16	Connector, 10P	VS1-5057-010CN	1
Figure 323; 17	Connector, 20P	VS1-5057-020CN	1
Figure 318; 16	Photo interrupter (TLP1241)	WG8-5362-000CN	1
Figure 319; 29	Photo interrupter (TLP1241)	WG8-5362-000CN	1
Figure 327; 10	Photo-interrupter TLP1241	WG8-5362-000CN	4
Figure 343; 9	Screw, W/W, M4 by 6	XA-0994-000CN	
Figure 343; 18	Screw, M4 by 8	XA9-0732-000CN	NA
Figure 344; 8	Screws, M4 by 8	XA9-0732-000CN	
Figure 344; 3	Screw, M5 by 12	XA9-0912-000CN	
Figure 344; 11	Screw, M4 by 6	XA9-0994-000CN	
Figure 345; 2	Screw, M3 by 6	XB2-6300-607CN	

**Table 126. Numerical parts list (continued)**

<b>Ref</b>	<b>Description</b>	<b>Part number</b>	<b>Qty</b>
Figure 344; 10	Screw, M4 by 6	XB6-7300-607CN	
Figure 343; 10	Screw, M4 by 6	XB6-7400-000CN	

