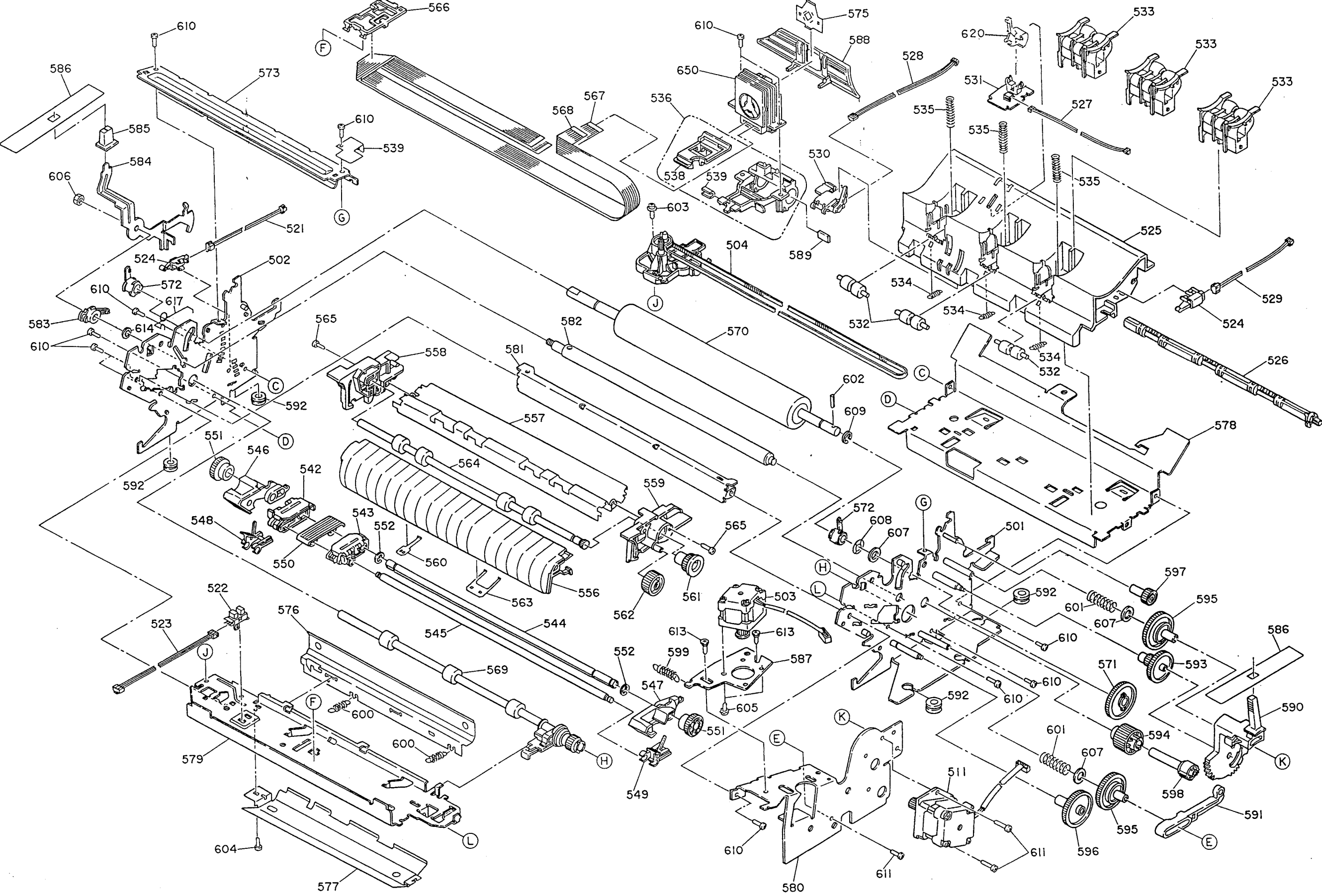


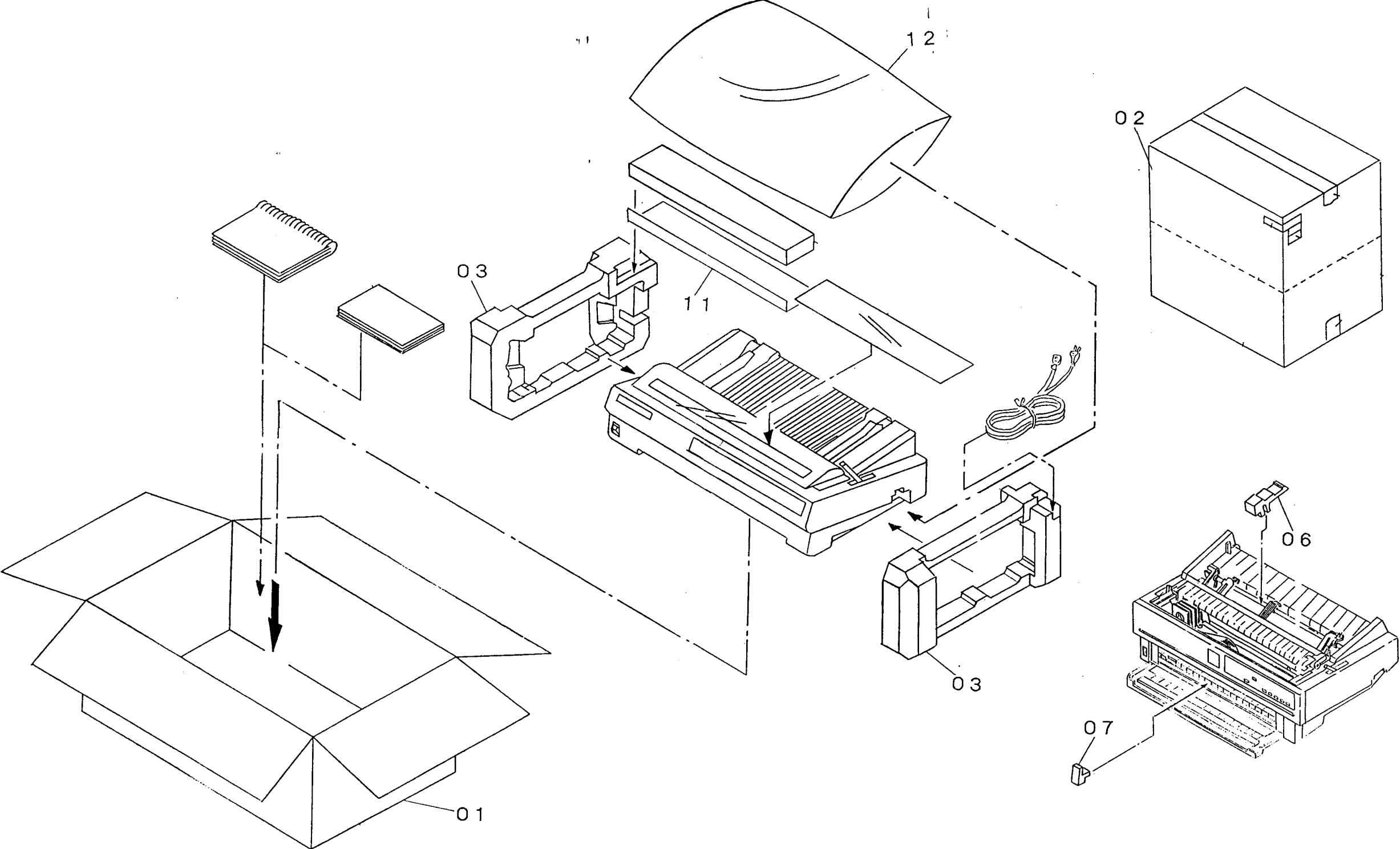
EXPLODED DIAGRAM FOR LQ-870(I)

Rev.D

C060



EXPLODED DIAGRAM FOR LQ-870(2) REV. C



PACKING MATERIAL FOR LQ-870

| Part Code | Part Name | Ref No. | Category | Qty | Remark |
|-------------------------|--|---------------------|------------------|-----|--------|
| 1005501 | HOSING ASSY., LOWER | 100 | Case | 1 | |
| 1005558 | FOOT | 101 | Case | 4 | |
| 1005502 | HOUSING ASSY., UPPER | 102 | Case | 1 | |
| 1005475 | HOUSING, FRONT | 103 | Case | 1 | |
| 1005504 | COVER ASSY., PRINTER | 104 | Case | 1 | |
| 1005505 | EDGE GUIDE ASSY., FRONT | 105 | Case | 1 | |
| 1005506 | EDGE GUIDE ASSY., REAR | 106 | Case | 1 | |
| 1005503 | COVER ASSY., FRONT | 107 | Case | 1 | |
| 1005478 | KNOB | 108 | Case | 1 | |
| 1005393 | SHIELD PLATE | 109 | Case | 1 | |
| 1005476 | COVER, DIP, SWITCH | 110 | Case | 1 | |
| 1005479 | SHIELD PLATE | 111 | Case | 1 | |
| 1005480 | GROUNDING PLATE | 112 | Case | 4 | |
| 1005382 | GROUNDING PLATE,I/F | 113 | Case | 1 | |
| 1005477 | BRACKET | 114 | Case | 1 | |
| 1002045 | COVER,CONNECTOR,UPPER | 115 | Case | 1 | |
| 1006374 | GUIDE,I/F BOARD | 117 | Case | 1 | |
| 1011016 | COVER,CARTRIDGE SLOT | 118 | Case | 1 | |
| 1005510 | SHEET, PANEL | 119 | Case | 1 | |
| 1013163 | LOGO PLATE;D | 120 | Case | 1 | |
| 1006653 | C.B.SCREW(B010303411) | 121 | Case | 1 | |
| 1073204 | C.B.S.(O) SCREW(B303404211) | 123 | Case | 2 | |
| 1073247 | C.B.B. SCREW(B310204511) | 124 | Case | 11 | |
| 1021825 | C.B.B. SCREW(B310206511) | 125 | Case | 2 | |
| 1074206 | PRINTER MECHANISM MOUNTING SCREW(F349655040) | 126 | Case | 4 | |
| 1001321 | C.B.S.(O) SCREW | 127 | Case | 6 | |
| 1002674 | C.B.S-TITE SCREW | 128 | Case | 2 | |
| 1075903 | SNAP BAND(X510060030) | 129 | Case | 1 | |
| 2001939 | FERRITE CORE | 130 | Case | 1 | |
| 2011496 | BOARD ASSY.,POWER SUPPLY | 350 | Electronic Parts | 1 | |
| 2024435 | BOARD ASSY.,POWER SUPPLY | 350 | Electronic Parts | 1 | |
| 2052920 | FUSE(X502063050) | 351 | Electronic Parts | 1 | |
| 2009238 | BOARD ASSY.,MAIN | 200 | Electronic Parts | 1 | |
| 2009561 | BOARD ASSY.,MAIN | 200 | Electronic Parts | 1 | |
| 2016659 | BOARD ASSY.,MAIN | 200 | Electronic Parts | 1 | |
| 1004142 | C.P.B-TITE SCREW | 201 | Electronic Parts | 2 | |
| 2003072 | BOARD ASSY.,DRIVER | 300 | Electronic Parts | 1 | |
| 1005394 | PLATE,HOLDER | 301 | Electronic Parts | 3 | |
| 1005392 | HEAT SINK | 302 | Electronic Parts | 1 | |
| 1003978 | C.B.SCREW | 303 | Electronic Parts | 3 | |
| 2003073 | BOARD ASSY.,PSB | 330 | Electronic Parts | 1 | |
| 2001105 | FUSE | 331 | Electronic Parts | 1 | |
| 1073702 | TRANSISTOR HOLDER(Y456001001) | 336 | Electronic Parts | 1 | |
| 1073702 | TRANSISTOR HOLDER(Y456001001) | 336 | Electronic Parts | 1 | |
| 1074115 | TRANSISTOR HOLDER(Y903001001) | 337 | Electronic Parts | 3 | |
| 1074115 | TRANSISTOR HOLDER(Y903001001) | 337 | Electronic Parts | 3 | |
| 1005933 | HOLDER,TRANSISTOR | 339 | Electronic Parts | 1 | |
| 1005933 | HOLDER,TRANSISTOR | 339 | Electronic Parts | 1 | |
| 1072905 | CUP SCREW(B040303111) | 340 | Electronic Parts | 4 | |
| 1072905 | CUP SCREW(B040303111) | 340 | Electronic Parts | 4 | |
| 1073171 | C.B.S. SCREW(B300204311) | 341 | Electronic Parts | 5 | |
| 1073171 | C.B.S. SCREW(B300204311) | 341 | Electronic Parts | 4 | |
| 1002674 | C.B.S-TITE SCREW | 342 | Electronic Parts | 1 | |
| 1002674 | C.B.S-TITE SCREW | 342 | Electronic Parts | 2 | |
| 1016606 | SPACER,PS | 343 | Electronic Parts | 1 | |
| 2003075 | BOARD ASSY., PNL | 450 | Electronic Parts | 1 | |

| | | | | |
|-------------------------|--|---------------------------|------------------|---|
| 2009430 | MASK ROM M40B24HA | 1A | Electronic Parts | 1 |
| 2026125 | MASK ROM | 1A | Electronic Parts | 1 |
| 2052886 | IC SOCKET(X630113230) | 2A | Electronic Parts | 1 |
| 2009526 | IC | 2B | Electronic Parts | 1 |
| 2052037 | LINEAR IC(X440055550) | 2B | Electronic Parts | 1 |
| 2004441 | MICROCONTROLLER | 2C | Electronic Parts | 1 |
| 2050657 | MICROCONTROLLER,TMP90C041N(X400900410) | 2C | Electronic Parts | 1 |
| 1016780 | HEAT SINK;B | 338 | Electronic Parts | 1 |
| 1016780 | HEAT SINK;B | 338 | Electronic Parts | 1 |
| 2031044 | MASK ROM | 3A | Electronic Parts | 1 |
| 2052883 | IC SOCKET(X630112830) | 3A | Electronic Parts | 1 |
| 2052883 | IC SOCKET(X630112830) | 3A | Electronic Parts | 1 |
| 2003555 | RESET IC | 3B | Electronic Parts | 1 |
| 2008130 | RESET IC | 3B | Electronic Parts | 1 |
| 2007203 | PS-RAM | 4A | Electronic Parts | 1 |
| 2010426 | PS-RAM | 4A | Electronic Parts | 1 |
| 2003138 | GATE ARRAY E05A49BB | 4B | Electronic Parts | 1 |
| 2003138 | GATE ARRAY E05A49BB | 4B | Electronic Parts | 1 |
| 2003354 | EEPROM | 5C | Electronic Parts | 1 |
| 2007178 | EEPROM | 5C | Electronic Parts | 1 |
| 2031662 | TTL-IC(X422350079) | 6A | Electronic Parts | 1 |
| 2050682 | TTL-IC(X420300070) | 6A | Electronic Parts | 1 |
| 2003556 | TTL IC PST520C-2(T) | 6C | Electronic Parts | 1 |
| 2008131 | RESET IC | 6C | Electronic Parts | 1 |
| 2000796 | PIEZOELECTRIC SOUNDER | BZ1 | Electronic Parts | 1 |
| 2000950 | PLASTIC FILM CAPACITOR | C1 | Electronic Parts | 1 |
| 2008423 | CHIP CAPACITOR | C1-C5,C12 | Electronic Parts | 6 |
| 2001076 | ELECTROLYTIC CAPACITOR | C10 | Electronic Parts | 1 |
| 2001076 | ELECTROLYTIC CAPACITOR | C10 | Electronic Parts | 1 |
| 2003849 | ALUMINIUM ELECTROLYTIC CAPACITOR | C10 | Electronic Parts | 1 |
| 2003849 | ALUMINIUM ELECTROLYTIC CAPACITOR | C11 | Electronic Parts | 1 |
| 2004567 | FILM CAPACITOR | C11 | Electronic Parts | 1 |
| 2054386 | CERAMIC CAPACITOR(X224221031) | C12 | Electronic Parts | 1 |
| 2054386 | CERAMIC CAPACITOR(X224221031) | C12 | Electronic Parts | 1 |
| 2006347 | CHIP CAPACITOR | C14,C15 | Electronic Parts | 2 |
| 2054280 | CERAMIC CAPACITOR(X220222220) | C15,C16 | Electronic Parts | 2 |
| 2008127 | CHIP CAPACITOR | C16,C17 | Electronic Parts | 2 |
| 2051261 | ALUMINIUM ELECTROLYTIC CAPACITOR(X200281008) | C2 | Electronic Parts | 1 |
| 2003358 | ALUMINIUM ELECTROLYTIC CAPACITOR | C21 | Electronic Parts | 1 |
| 2003358 | ALUMINIUM ELECTROLYTIC CAPACITOR | C21 | Electronic Parts | 1 |
| 2001082 | CERAMIC CAPACITOR | C22 | Electronic Parts | 1 |
| 2003131 | ALUMINIUM ELECTROLYTIC CAPACITOR | C23-C25 | Electronic Parts | 3 |
| 2008126 | CHIP CAPACITOR | C24 | Electronic Parts | 1 |
| 2008423 | CHIP CAPACITOR | C25-C30 | Electronic Parts | 6 |
| 2001079 | ELECTROLYTIC CAPACITOR | C26 | Electronic Parts | 1 |
| 2001079 | ELECTROLYTIC CAPACITOR | C26 | Electronic Parts | 1 |
| 2001087 | PLASTIC FILM CAPACITOR | C28 | Electronic Parts | 1 |
| 2001087 | PLASTIC FILM CAPACITOR | C28 | Electronic Parts | 1 |
| 2003132 | CERAMIC CAPACITOR | C3,C4 | Electronic Parts | 2 |
| 2008423 | CHIP CAPACITOR | C32-C35 | Electronic Parts | 4 |
| 2008125 | CHIP CAPACITOR | C36 | Electronic Parts | 1 |
| 2005084 | CHIP CAPACITOR | C37,C38 | Electronic Parts | 2 |
| 2008423 | CHIP CAPACITOR | C39,C40 | Electronic Parts | 2 |
| 2003163 | ALUMINIUM ELECTROLYTIC CAPACITOR | C4 | Electronic Parts | 1 |
| 2008125 | CHIP CAPACITOR | C42-C45 | Electronic Parts | 4 |
| 2008423 | CHIP CAPACITOR | C46 | Electronic Parts | 1 |
| 2001083 | ELECTROLYTIC CAPACITOR | C5 | Electronic Parts | 1 |
| 2024935 | ELECTROLYTIC CAPACITOR | C5 | Electronic Parts | 1 |

| | | | | |
|-------------------------|----------------------------|---------------------------|------------------|----|
| 2008127 | CHIP CAPACITOR | C6,C9 | Electronic Parts | 2 |
| 2001082 | CERAMIC CAPACITOR | C7,C8,C22 | Electronic Parts | 3 |
| 2007100 | CONNECTOR | CN1 | Electronic Parts | 1 |
| 2003145 | CONNECTOR | CN10 | Electronic Parts | 1 |
| 2003413 | CONNECTOR | CN10 | Electronic Parts | 1 |
| 2003152 | CONNECTOR | CN11 | Electronic Parts | 1 |
| 2003414 | CONNECTOR | CN11 | Electronic Parts | 1 |
| 2003147 | CONNECTOR | CN12 | Electronic Parts | 1 |
| 2003412 | CONNECTOR | CN12 | Electronic Parts | 1 |
| 2003413 | CONNECTOR | CN13 | Electronic Parts | 1 |
| 2003148 | CONNECTOR | CN14 | Electronic Parts | 1 |
| 2003152 | CONNECTOR | CN15 | Electronic Parts | 1 |
| 2003412 | CONNECTOR | CN16 | Electronic Parts | 1 |
| 2001155 | CONNECTOR | CN2 | Electronic Parts | 1 |
| 2001155 | CONNECTOR | CN2 | Electronic Parts | 1 |
| 2003633 | CONNECTOR | CN2 | Electronic Parts | 1 |
| 2003634 | CONNECTOR | CN2 | Electronic Parts | 1 |
| 2003181 | CONNECTOR | CN3 | Electronic Parts | 1 |
| 2003181 | CONNECTOR | CN3 | Electronic Parts | 1 |
| 2052748 | CONNECTOR(X601421500) | CN3 | Electronic Parts | 1 |
| 2003182 | CONNECTOR | CN4 | Electronic Parts | 1 |
| 2003632 | CONNECTOR | CN4 | Electronic Parts | 1 |
| 2003184 | CONNECTOR | CN5 | Electronic Parts | 1 |
| 2052748 | CONNECTOR(X601421500) | CN5 | Electronic Parts | 1 |
| 2003145 | CONNECTOR | CN6 | Electronic Parts | 1 |
| 2003182 | CONNECTOR | CN6 | Electronic Parts | 1 |
| 2003414 | CONNECTOR | CN7 | Electronic Parts | 1 |
| 2003633 | CONNECTOR | CN7 | Electronic Parts | 1 |
| 2003147 | CONNECTOR | CN8 | Electronic Parts | 1 |
| 2003632 | CONNECTOR | CN8 | Electronic Parts | 1 |
| 2003148 | CONNECTOR | CN9 | Electronic Parts | 1 |
| 2005104 | CERAMIC OSCILLATOR | CR1 | Electronic Parts | 1 |
| 2005104 | CERAMIC OSCILLATOR | CR1 | Electronic Parts | 1 |
| 2001790 | DIODE | D1,D2 | Electronic Parts | 1 |
| 2052408 | DIODE(X320011220) | D1,D2,D4 | Electronic Parts | 3 |
| 2052385 | DIODE(X320010939) | D1-D12 | Electronic Parts | 12 |
| 2052414 | DIODE(X320011369) | D1-D6 | Electronic Parts | 6 |
| 2052414 | DIODE(X320011369) | D1-D6 | Electronic Parts | 6 |
| 2052385 | DIODE(X320010939) | D14-D20 | Electronic Parts | 7 |
| 2001074 | DIODE | D20 | Electronic Parts | 1 |
| 2001146 | DIODE STACK | D21 | Electronic Parts | 1 |
| 2001074 | DIODE | D3,D5 | Electronic Parts | 2 |
| 2001074 | DIODE | D3,D5,D6 | Electronic Parts | 3 |
| 2052408 | DIODE(X320011220) | D4 | Electronic Parts | 1 |
| 2001074 | DIODE | D6,D20 | Electronic Parts | 2 |
| 2052418 | DIODE(X320011449) | D7 | Electronic Parts | 1 |
| 2052418 | DIODE(X320011449) | D7 | Electronic Parts | 1 |
| 2052385 | DIODE(X320010939) | D8-D10 | Electronic Parts | 3 |
| 2052385 | DIODE(X320010939) | D8-D10 | Electronic Parts | 3 |
| 2052426 | DIODE BRIDGE(X320011540) | DB1 | Electronic Parts | 1 |
| 2003099 | DIGITAL IC | IC1,IC3 | Electronic Parts | 2 |
| 2004068 | TRANSISTOR ARRAY,UPA1428AH | IC1-IC6 | Electronic Parts | 6 |
| 2000592 | HYBRID IC SLA7024M | IC15 | Electronic Parts | 1 |
| 2003100 | CMOS IC | IC2 | Electronic Parts | 1 |
| 2001667 | TRANSISTOR ARRAY,PU1501 | IC20 | Electronic Parts | 1 |
| 2001163 | SWITCHING REGULATOR IC | IC21 | Electronic Parts | 1 |
| 2000592 | HYBRID IC SLA7024M | IC7 | Electronic Parts | 1 |
| 2001667 | TRANSISTOR ARRAY,PU1501 | IC8 | Electronic Parts | 1 |

| | | | | |
|-------------------------|---|----------------------------|------------------|---|
| 2004068 | TRANSISTOR ARRAY,UPA1428AH | IC8-IC13 | Electronic Parts | 6 |
| 2003136 | CHOCK COIL | L1 | Electronic Parts | 1 |
| 2028858 | PHOTO COUPLER | PC1 | Electronic Parts | 1 |
| 2035198 | PHOTO THYRISTOR COUPLER | PC2 | Electronic Parts | 1 |
| 2001166 | FET TRANSISTOR | Q1 | Electronic Parts | 1 |
| 2003189 | TRANSISTOR | Q1-Q6 | Electronic Parts | 6 |
| 2003189 | TRANSISTOR | Q1-Q6 | Electronic Parts | 6 |
| 2000623 | TRANSISTOR | Q2 | Electronic Parts | 1 |
| 2000623 | TRANSISTOR | Q2 | Electronic Parts | 1 |
| 2052193 | TRANSISTOR(X302181589) | Q21,Q23 | Electronic Parts | 2 |
| 2052193 | TRANSISTOR(X302181589) | Q21,Q23 | Electronic Parts | 2 |
| 2052020 | TRANSISTOR(X300101589) | Q3,Q22 | Electronic Parts | 2 |
| 2052020 | TRANSISTOR(X300101589) | Q3,Q22 | Electronic Parts | 2 |
| 2052033 | TRANSISTOR,2SA1680-TPE6(X300168009) | Q5 | Electronic Parts | 1 |
| 2052033 | TRANSISTOR,2SA1680-TPE6(X300168009) | Q5 | Electronic Parts | 1 |
| 2052193 | TRANSISTOR(X302181589) | Q6,Q20 | Electronic Parts | 2 |
| 2052193 | TRANSISTOR(X302181589) | Q6,Q20 | Electronic Parts | 2 |
| 2003564 | FET | Q7 | Electronic Parts | 1 |
| 2003564 | FET | Q7 | Electronic Parts | 1 |
| 2052193 | TRANSISTOR(X302181589) | Q8,Q9 | Electronic Parts | 2 |
| 2052193 | TRANSISTOR(X302181589) | Q8,Q9 | Electronic Parts | 2 |
| 2050536 | CARBON FILM RESISTOR(X154411032) | R1,R70,R89 | Electronic Parts | 3 |
| 2050536 | CARBON FILM RESISTOR(X154411032) | R1-R3 | Electronic Parts | 3 |
| 2054387 | CHIP RESISTOR ERJ-6GEYJ102V(X193011022) | R1-R4,R72 | Electronic Parts | 5 |
| 2008124 | CHIP RESISTOR | R101 | Electronic Parts | 1 |
| 2008120 | CHIP RESISTOR | R102 | Electronic Parts | 1 |
| 2004273 | CHIP RESISTOR | R103 | Electronic Parts | 1 |
| 2050536 | CARBON FILM RESISTOR(X154411032) | R103-R105 | Electronic Parts | 3 |
| 2050536 | CARBON FILM RESISTOR(X154411032) | R109,R110 | Electronic Parts | 2 |
| 2050536 | CARBON FILM RESISTOR(X154411032) | R116-R118 | Electronic Parts | 3 |
| 2001519 | CHIP RESISTOR | R16 | Electronic Parts | 1 |
| 2001064 | FIXED CARBON FILM RESISTOR | R18,R23 | Electronic Parts | 2 |
| 2007612 | FUSE RESISTOR | R2 | Electronic Parts | 1 |
| 2007612 | FUSE RESISTOR | R2 | Electronic Parts | 1 |
| 2003144 | HIGH STABILIZED METAL FILM RESISTOR | R23 | Electronic Parts | 1 |
| 2050912 | CEMENT RESISTOR(X160321000) | R23 | Electronic Parts | 1 |
| 2001530 | CHIP RESISTOR | R28,R29 | Electronic Parts | 2 |
| 2001064 | FIXED CARBON FILM RESISTOR | R28,R33 | Electronic Parts | 2 |
| 2001095 | FIXED METAL OXIDE FILM RESISTOR | R3 | Electronic Parts | 1 |
| 2001538 | CHIP RESISTOR | R30,R31 | Electronic Parts | 2 |
| 2003134 | HIGH STABILIZED METAL FILM RESISTOR | R34 | Electronic Parts | 1 |
| 2003134 | HIGH STABILIZED METAL FILM RESISTOR | R34 | Electronic Parts | 1 |
| 2003133 | HIGH STABILIZED METAL FILM RESISTOR | R35 | Electronic Parts | 1 |
| 2003133 | HIGH STABILIZED METAL FILM RESISTOR | R35 | Electronic Parts | 1 |
| 2003143 | HIGH STABILIZED METAL FILM RESISTOR | R35,R89 | Electronic Parts | 2 |
| 2003157 | HIGH STABILIZED METAL FILM RESISTOR | R36 | Electronic Parts | 1 |
| 2001092 | FIXED METAL OXIDE FILM RESISTOR | R37 | Electronic Parts | 1 |
| 2003158 | HIGH STABILIZED METAL FILM RESISTOR | R38 | Electronic Parts | 1 |
| 2001064 | FIXED CARBON FILM RESISTOR | R38,R43 | Electronic Parts | 2 |
| 2001064 | FIXED CARBON FILM RESISTOR | R44 | Electronic Parts | 1 |
| 2050989 | CHIP RESISTOR(X193012022) | R44 | Electronic Parts | 1 |
| 2006333 | CHIP RESISTOR | R46 | Electronic Parts | 1 |
| 2001517 | CHIP RESISTOR | R47 | Electronic Parts | 1 |
| 2003144 | HIGH STABILIZED METAL FILM RESISTOR | R48 | Electronic Parts | 1 |
| 2001108 | FIXED CARBON FILM RESISTOR | R5 | Electronic Parts | 1 |
| 2050536 | CARBON FILM RESISTOR(X154411032) | R5,R64,R65 | Electronic Parts | 3 |
| 2050781 | CARBON FILM RESISTOR(X154414722) | R51 | Electronic Parts | 1 |
| 2005570 | CHIP RESISTOR | R52,R54 | Electronic Parts | 2 |

| | | | | |
|-------------------------|---|----------------------------|------------------|----|
| 2005570 | CHIP RESISTOR | R55 | Electronic Parts | 1 |
| 2001535 | CHIP RESISTOR | R56,R59 | Electronic Parts | 2 |
| 2008124 | CHIP RESISTOR | R57,R58 | Electronic Parts | 2 |
| 2001531 | CHIP RESISTOR | R6-R15,R51 | Electronic Parts | 11 |
| 2003143 | HIGH STABILIZED METAL FILM RESISTOR | R60 | Electronic Parts | 1 |
| 2003157 | HIGH STABILIZED METAL FILM RESISTOR | R61 | Electronic Parts | 1 |
| 2008122 | CHIP RESISTOR | R62 | Electronic Parts | 1 |
| 2003158 | HIGH STABILIZED METAL FILM RESISTOR | R63 | Electronic Parts | 1 |
| 2003558 | FUSE RESISTOR | R66 | Electronic Parts | 1 |
| 2054387 | CHIP RESISTOR ERJ-6GEYJ102V(X193011022) | R76,R87 | Electronic Parts | 2 |
| 2001096 | FIXED METAL OXIDE FILM RESISTOR | R8 | Electronic Parts | 1 |
| 2008120 | CHIP RESISTOR | R83-R85 | Electronic Parts | 3 |
| 2002122 | CHIP RESISTOR | R86 | Electronic Parts | 1 |
| 2003141 | HIGH STABILIZED METAL FILM RESISTOR | R88 | Electronic Parts | 1 |
| 2050536 | CARBON FILM RESISTOR(X154411032) | R88-R91 | Electronic Parts | 4 |
| 2001089 | METAL FILM RESISTOR | R9 | Electronic Parts | 1 |
| 2003143 | HIGH STABILIZED METAL FILM RESISTOR | R91 | Electronic Parts | 1 |
| 2003141 | HIGH STABILIZED METAL FILM RESISTOR | R92 | Electronic Parts | 1 |
| 2050536 | CARBON FILM RESISTOR(X154411032) | R94-R101 | Electronic Parts | 8 |
| 2008121 | CHIP RESISTOR | R95-R100 | Electronic Parts | 6 |
| 2003557 | RESISTOR ARRAY | RM1-RM6 | Electronic Parts | 6 |
| 2003098 | RESISTOR ARRAY | RM2 | Electronic Parts | 1 |
| 2003557 | RESISTOR ARRAY | RM2-RM7 | Electronic Parts | 6 |
| 2003097 | RESISTOR ARRAY | RM3,RM4 | Electronic Parts | 2 |
| 2003159 | PUSH SWITCH | SW1-SW6 | Electronic Parts | 6 |
| 2003125 | DIP SWITCH | SW2 | Electronic Parts | 1 |
| 2003159 | PUSH SWITCH | SW8 | Electronic Parts | 1 |
| 2003135 | SWITCHING TRANSFORMER | T1 | Electronic Parts | 1 |
| 2001106 | THYRISTOR | TY1 | Electronic Parts | 1 |
| 2001107 | ZENER DIODE | ZD20 | Electronic Parts | 1 |
| 2001107 | ZENER DIODE | ZD20 | Electronic Parts | 1 |
| 2003130 | ZENER DIODE | ZD21 | Electronic Parts | 1 |
| 2003130 | ZENER DIODE | ZD21 | Electronic Parts | 1 |
| 2003172 | ZENER DIODE | ZD22 | Electronic Parts | 1 |
| 2052488 | ZENER DIODE(X330000639) | ZD23 | Electronic Parts | 1 |
| 2052488 | ZENER DIODE(X330000639) | ZD23 | Electronic Parts | 1 |
| 2003129 | ZENER DIODE | ZD24 | Electronic Parts | 1 |
| 2003129 | ZENER DIODE | ZD24 | Electronic Parts | 1 |
| 1005293 | TRACTOR ASSY. | 1110 | Mechanism Parts | 1 |
| 2003045 | PRINTER MECHANISM | 500 | Mechanism Parts | 1 |
| 2003220 | PRINTER MECHANISM | 500 | Mechanism Parts | 1 |
| 2003221 | PRINTER MECHANISM | 500 | Mechanism Parts | 1 |
| 1005275 | FRAME SUB ASSY.,RIGHT | 501 | Mechanism Parts | 1 |
| 1005278 | FRAME ASSY.,LEFT | 502 | Mechanism Parts | 1 |
| 2011358 | MOTOR,CR | 503 | Mechanism Parts | 1 |
| 1005578 | RD ASSY. | 504 | Mechanism Parts | 1 |
| 2003041 | MOTOR, PF | 511 | Mechanism Parts | 1 |
| 2003021 | LEAD, PLATEN GAP | 521 | Mechanism Parts | 1 |
| 2032842 | DETECTOR,HP;E | 522 | Mechanism Parts | 1 |
| 2003019 | LEAD, HP | 523 | Mechanism Parts | 1 |
| 2012443 | CONNECTOR SWITCH;B | 524 | Mechanism Parts | 2 |
| 1005151 | PAPER GUIDE | 525 | Mechanism Parts | 1 |
| 1005157 | SHAFT,RELEASE | 526 | Mechanism Parts | 1 |
| 2003022 | LEAD, PE, FRONT | 527 | Mechanism Parts | 1 |
| 2003023 | LEAD, PE, REAR | 528 | Mechanism Parts | 1 |
| 2003031 | LEAD, PF | 529 | Mechanism Parts | 1 |
| 2003033 | DETECTOR, PE, FRONT | 530 | Mechanism Parts | 1 |
| 1005727 | DETECTOR ASSY., REAR | 531 | Mechanism Parts | 1 |

| | | | | |
|-------------------------|---------------------------------|---------------------|-----------------|---|
| 1005213 | ROLLER,PF,DRIVEN,LOWER | 532 | Mechanism Parts | 3 |
| 1005282 | ROLLER ASSY.,PF | 533 | Mechanism Parts | 3 |
| 1005215 | EXTENSION SPRING,70 | 534 | Mechanism Parts | 3 |
| 1005214 | COMPRESSION SPRING,1000 | 535 | Mechanism Parts | 3 |
| 1009106 | CARRIAGE ASSY. | 536 | Mechanism Parts | 1 |
| 1005179 | HOLDER,SLIDER | 538 | Mechanism Parts | 1 |
| 1008049 | SLIDER,CR | 539 | Mechanism Parts | 1 |
| 1001108 | TRACTOR,LEFT | 542 | Mechanism Parts | 1 |
| 1001109 | TRACTOR,RIGHT | 543 | Mechanism Parts | 1 |
| 1005163 | SHAFT,TR,DRIVE | 544 | Mechanism Parts | 1 |
| 1005164 | SHAFT,TR,GUIDE | 545 | Mechanism Parts | 1 |
| 1005246 | FRAME,TR,LEFT | 546 | Mechanism Parts | 1 |
| 1259755 | FRAME,TR,RIGHT,B | 547 | Mechanism Parts | 1 |
| 1005248 | LEVER,TR,LEFT | 548 | Mechanism Parts | 1 |
| 1005249 | LEVER,TR,RIGHT | 549 | Mechanism Parts | 1 |
| 1005417 | PAPER SUPPORT | 550 | Mechanism Parts | 1 |
| 1044973 | SPUR GEAR,20 | 551 | Mechanism Parts | 2 |
| 1074768 | RETAINING RING(B150300911) | 552 | Mechanism Parts | 2 |
| 1015148 | PAPER EJECT ASSY. | 555 | Mechanism Parts | 1 |
| 1005158 | COVER,PAPER EJECT | 556 | Mechanism Parts | 1 |
| 1008693 | FRAME,PAPER EJECT,BASE | 557 | Mechanism Parts | 1 |
| 1005236 | FRAME,PAPER EJECT,LEFT | 558 | Mechanism Parts | 1 |
| 1005237 | FRAME,PAPER EJECT,RIGHT | 559 | Mechanism Parts | 1 |
| 1005243 | LEAF SPRING,PAPER EJECT,DOUBLE | 560 | Mechanism Parts | 1 |
| 1005244 | SPUR GEAR,15 | 561 | Mechanism Parts | 1 |
| 1005245 | SPUR GEAR,18 | 562 | Mechanism Parts | 1 |
| 1005514 | LEAF SPRING,PAPER EJECT,SINGLE | 563 | Mechanism Parts | 1 |
| 1015146 | ROLLER,PAPER EJECT,DRIVE | 564 | Mechanism Parts | 1 |
| 1006901 | C.B.C-LAMITITE | 565 | Mechanism Parts | 2 |
| 1005176 | HOLDER,CABLE,HEAD | 566 | Mechanism Parts | 1 |
| 2003017 | CABLE,HEAD,LOWER | 567 | Mechanism Parts | 1 |
| 2003018 | CABLE,HEAD,UPPER | 568 | Mechanism Parts | 1 |
| 1005306 | ROLLER ASSY.,DRIVE | 569 | Mechanism Parts | 1 |
| 1005155 | PLATEN | 570 | Mechanism Parts | 1 |
| 1008449 | PLATEN;C | 570 | Mechanism Parts | 1 |
| 1030979 | PLATEN GEAR | 571 | Mechanism Parts | 1 |
| 1073544 | PLATEN SHAFT HOLDER(F334005370) | 572 | Mechanism Parts | 2 |
| 1005152 | COVER,PLATEN | 573 | Mechanism Parts | 1 |
| 1006902 | COVER ASSY.,PLATEN | 573 | Mechanism Parts | 1 |
| 1005184 | RIBBON MASK | 575 | Mechanism Parts | 1 |
| 1014600 | PAPER GUIDE ASSY.,SUPPORT | 576 | Mechanism Parts | 1 |
| 1005148 | GUIDE,PAPER LOAD | 577 | Mechanism Parts | 1 |
| 1005145 | FRAME,REAR | 578 | Mechanism Parts | 1 |
| 1005146 | FRAME,FRONT | 579 | Mechanism Parts | 1 |
| 1005170 | FRAME,SUB,RIGHT | 580 | Mechanism Parts | 1 |
| 1008052 | GUIDE,CR | 581 | Mechanism Parts | 1 |
| 1005149 | SHAFT,CR,GUIDE | 582 | Mechanism Parts | 1 |
| 1005172 | BUSHING,PARALLEL,ADJUST | 583 | Mechanism Parts | 1 |
| 1005173 | LEVER,GAP,ADJUST | 584 | Mechanism Parts | 1 |
| 1005174 | CAP,LEVER | 585 | Mechanism Parts | 1 |
| 1005175 | SHEET,ADJUST,CAP | 586 | Mechanism Parts | 2 |
| 1005185 | MOUNTING PLATE,MOTOR,CR | 587 | Mechanism Parts | 1 |
| 1259448 | HOLDER,RIBBON MASK | 588 | Mechanism Parts | 1 |
| 1073525 | OIL PAD(F334005140) | 589 | Mechanism Parts | 1 |
| 1005219 | LEVER,RELEASE | 590 | Mechanism Parts | 1 |
| 1005220 | CAM,CLUTCH,TRACTOR | 591 | Mechanism Parts | 1 |
| 1010467 | BASE RUBBER | 592 | Mechanism Parts | 5 |
| 1005222 | COMBINATION GEAR,8,30 | 593 | Mechanism Parts | 1 |

| | | | | |
|----------------------------|------------------------------------|-------------------------|------------------|----|
| 1005224 | SPUR GEAR,27 | 594 | Mechanism Parts | 1 |
| 1005225 | SPUR GEAR,34.5 | 595 | Mechanism Parts | 2 |
| 1005226 | SPUR GEAR,34 | 596 | Mechanism Parts | 1 |
| 1005227 | SPUR GEAR,15 | 597 | Mechanism Parts | 1 |
| 1005218 | INTERMITTENT GEAR | 598 | Mechanism Parts | 1 |
| 1005186 | EXTENSION SPRING,1056 | 599 | Mechanism Parts | 1 |
| 1005201 | EXTENSION SPRING,71 | 600 | Mechanism Parts | 2 |
| 1005232 | COMPRESSION SPRING,200 | 601 | Mechanism Parts | 2 |
| 1001856 | SPRING PIN | 602 | Mechanism Parts | 1 |
| 1000972 | C.B.S(P).(0) SCREW | 603 | Mechanism Parts | 1 |
| 1005019 | C.B.P-TITE SCREW,3X8,F/ZN | 604 | Mechanism Parts | 1 |
| 1004635 | C.B.SCREW(B010303311) | 605 | Mechanism Parts | 2 |
| 1076213 | HEXAGON NUT(B070200411) | 606 | Mechanism Parts | 1 |
| 1076264 | PLAIN WASHER(B100166012) | 607 | Mechanism Parts | 3 |
| 1076285 | LEAF SPRING(B101253990) | 608 | Mechanism Parts | 1 |
| 1074777 | RETAINING RING(B160101412) | 609 | Mechanism Parts | 1 |
| 1073171 | C.B.S. SCREW(B300204311) | 610 | Mechanism Parts | 12 |
| 1073172 | C.B.S. SCREW(B300204411) | 611 | Mechanism Parts | 3 |
| 1006827 | GROUNDING PLATE,PAPER EJECT | 612 | Mechanism Parts | 1 |
| 1005416 | SHAFT,MOUNT,CR | 613 | Mechanism Parts | 2 |
| 1009032 | TOOTHED LOCK WASHER A | 614 | Mechanism Parts | 1 |
| 1014639 | METAL FITTINGS,GROUND,PLATEN | 617 | Mechanism Parts | 1 |
| 1005177 | LEVER,PE,DETECTOR,REAR | 620 | Mechanism Parts | 1 |
| F018000 | PRINTHEAD,DH24-0M0 | 650 | Mechanism Parts | 1 |
| 5000482 | PAD,SHEET GUIDE | 6 | Packing Material | 1 |
| 5000482 | PAD,SHEET GUIDE | 6 | Packing Material | 1 |
| 5001666 | PAD,RIBBON | 11 | Packing Material | 1 |
| 5012553 | PLASTIC PROTECTIVE BAG(X680015010) | 12 | Packing Material | 1 |
| 2003080 | POWER CABLE ASSY. | 371 | Power Supply | 1 |
| 2003076 | HARNESS | 372 | Power Supply | 1 |
| 2013204 | FAN | 380 | Power Supply | 1 |
| 2003077 | HARNESS | 381 | Power Supply | 1 |
| 2003079 | HARNESS | 382 | Power Supply | 1 |
| 2002364 | POWER CABLE,(VD31303SA-10A) | 400 | Power Supply | 1 |
| Y901305500 | POWER CABLE (BS31303SA-SR) | 401 | Power Supply | 1 |
| 2002365 | POWER CABLE VD00303SA-10A | 403 | Power Supply | 1 |
| 2028198 | POWER CABLE,BS31303SI-BH | 403 | Power Supply | 1 |
| 1011446 | EXTENSION CABLE #F595 | NON FIG | Tools | 1 |
| 1011447 | EXTENSION CABLE #F594 | NON FIG | Tools | 1 |
| 1011448 | EXTENSION CABLE #F596 | NON FIG | Tools | 1 |

| Part Code | Part Name | Ref No. | Category | Qty | Remark |
|-----------|-----------|---------|----------|-----|--------|
|-----------|-----------|---------|----------|-----|--------|