

Major assembly locations

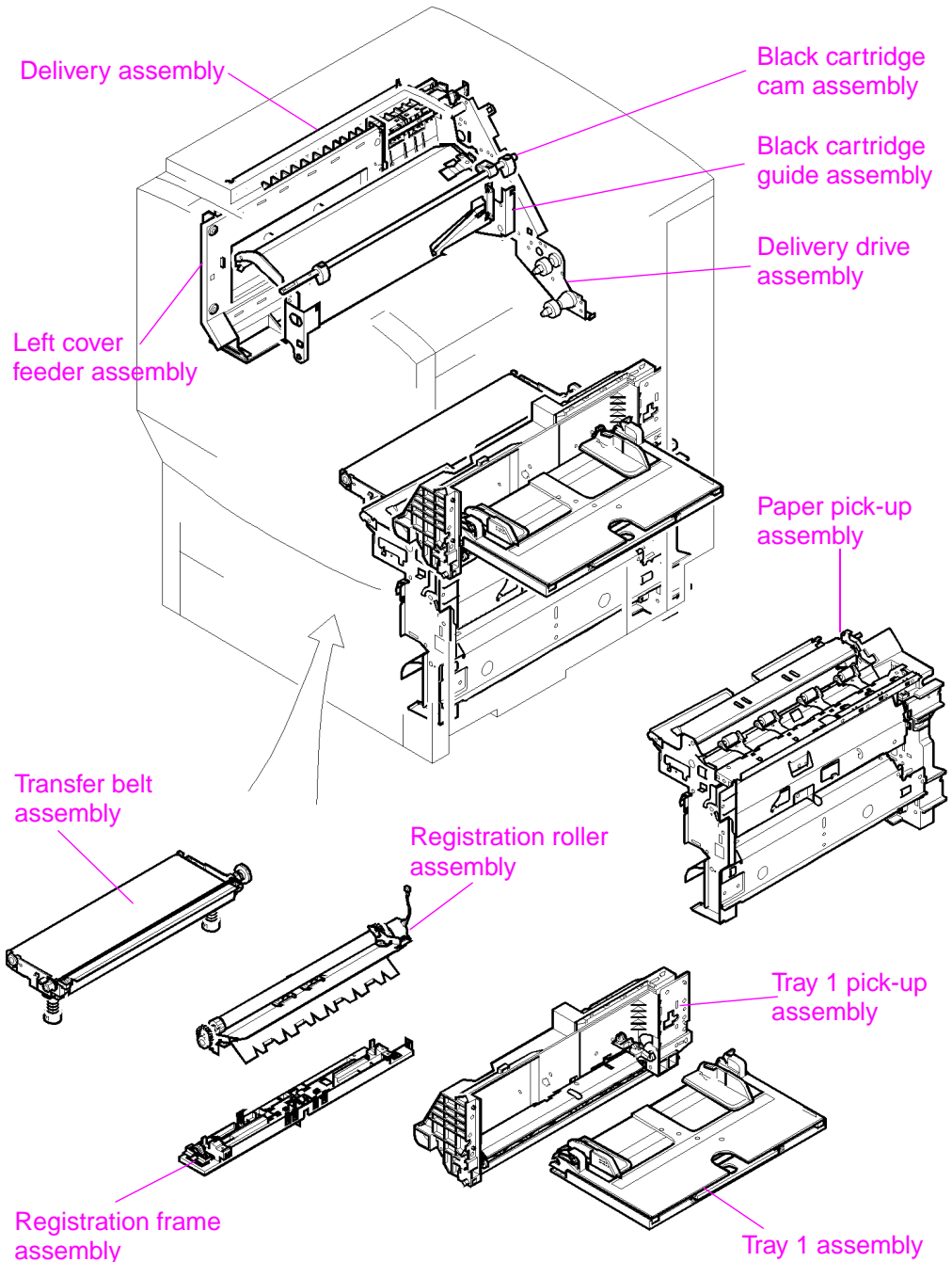


Figure 212. Major assembly locations (1 of 2)

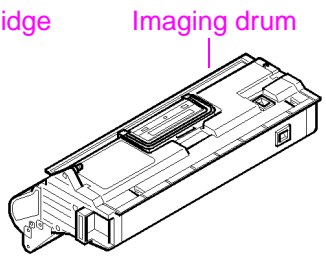
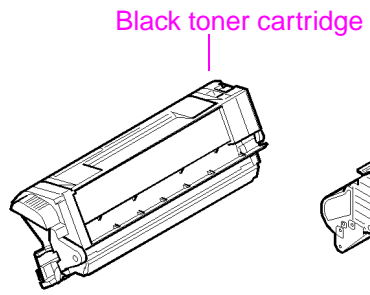
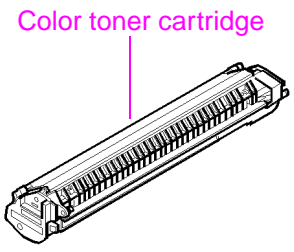
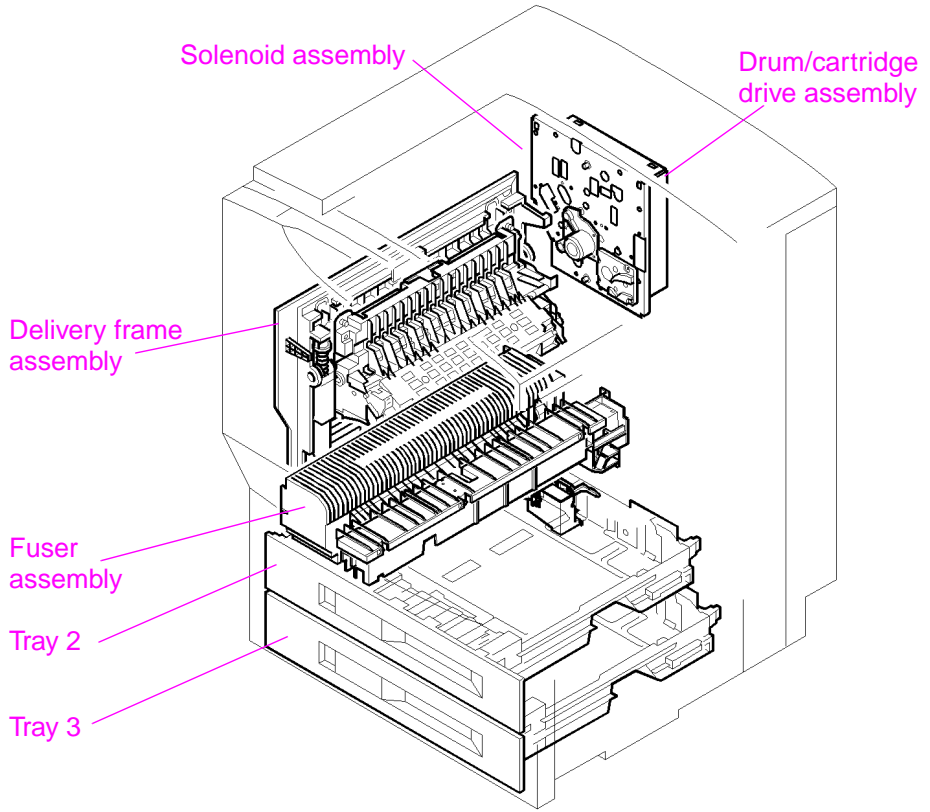


Figure 213. Major assembly locations (2 of 2)

Printer covers and doors

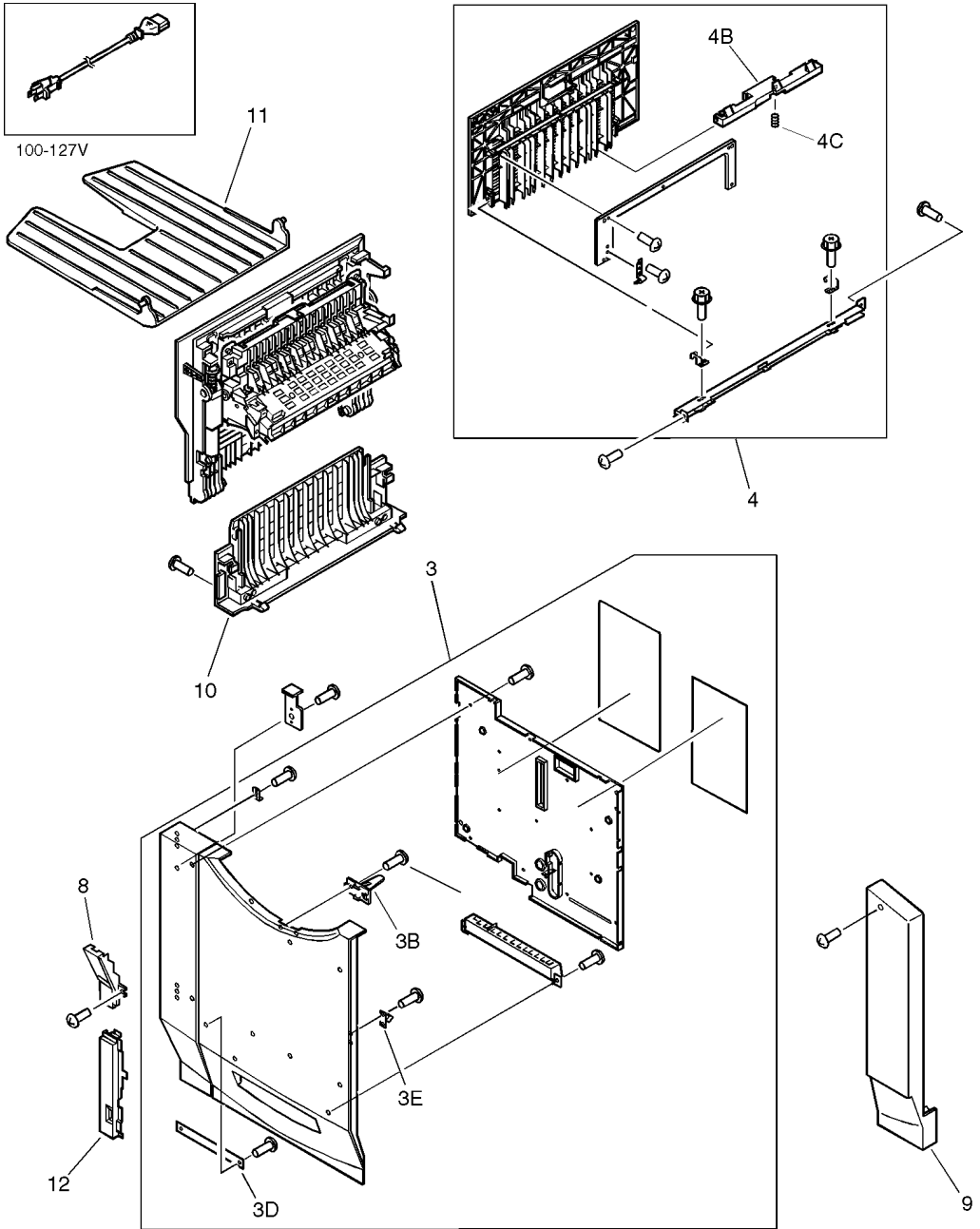


Figure 214. Printer covers and doors (1 of 3)

Table 51. Printer doors and covers (1 of 3)

Ref.	Description	Part number	Qty.
3	Cover assembly, front	RG0-0112-000CN	1
3B	Lever, shutter	RA0-0008-000CN	1
3D	Strap, front door support	RB1-4497-000CN	1
3E	Latch, roller action	RB1-5153-000CN	1
4	Cover assembly, left upper	RG0-0113-000CN	1
4B	Lever, left upper door	RB1-6485-000CN	1
4C	Spring, left upper door lever	RB1-6486-000CN	1
8	Cover, hinge	RA0-0068-000CN	1
9	Cover, front right	RA0-0069-000CN	1
10	Cover, left lower	RB1-6480-000CN	1
11	Tray, face-up	RB1-6491-000CN	1
12	Cover, power switch	RB1-6492-000CN	1

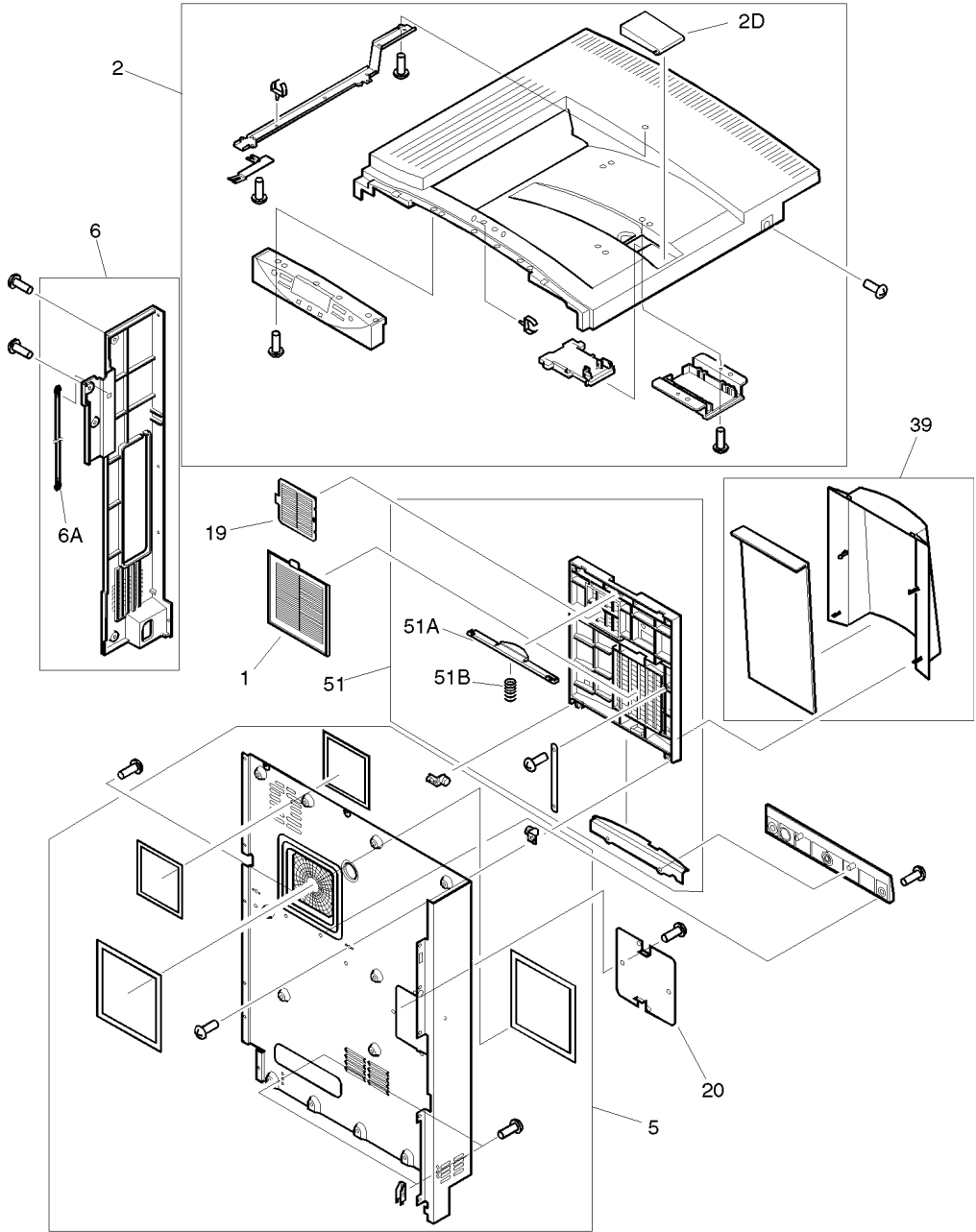


Figure 215. Printer covers and doors (2 of 3)

Table 52. Printer doors and covers (2 of 3)

Ref.	Description	Part number	Qty.
1	Filter, large air	RB1-9807-000CN	1
2	Cover assembly, top	RG0-0111-000CN	1
2D	Stop, flip-up media	RA0-0073-000CN	1
5	Cover assembly, rear	RG0-0115-000CN	1
6	Cover, left rear	RA0-0065-000CN	1
6A	Stopper, open/close	RB1-6484-000CN	1
19	Filter, small air	RB1-9808-000CN	1
20	Cover, auxiliary	RA0-0078-000CN	1
39	Cover, fan	RF0-0012-000CN	1
51	Cover, rear fan housing	RG0-0017-000CN	1
51A	Support, cover	RA0-0079-000CN	1
51B	Spring, compression	RS5-2719-000CN	1

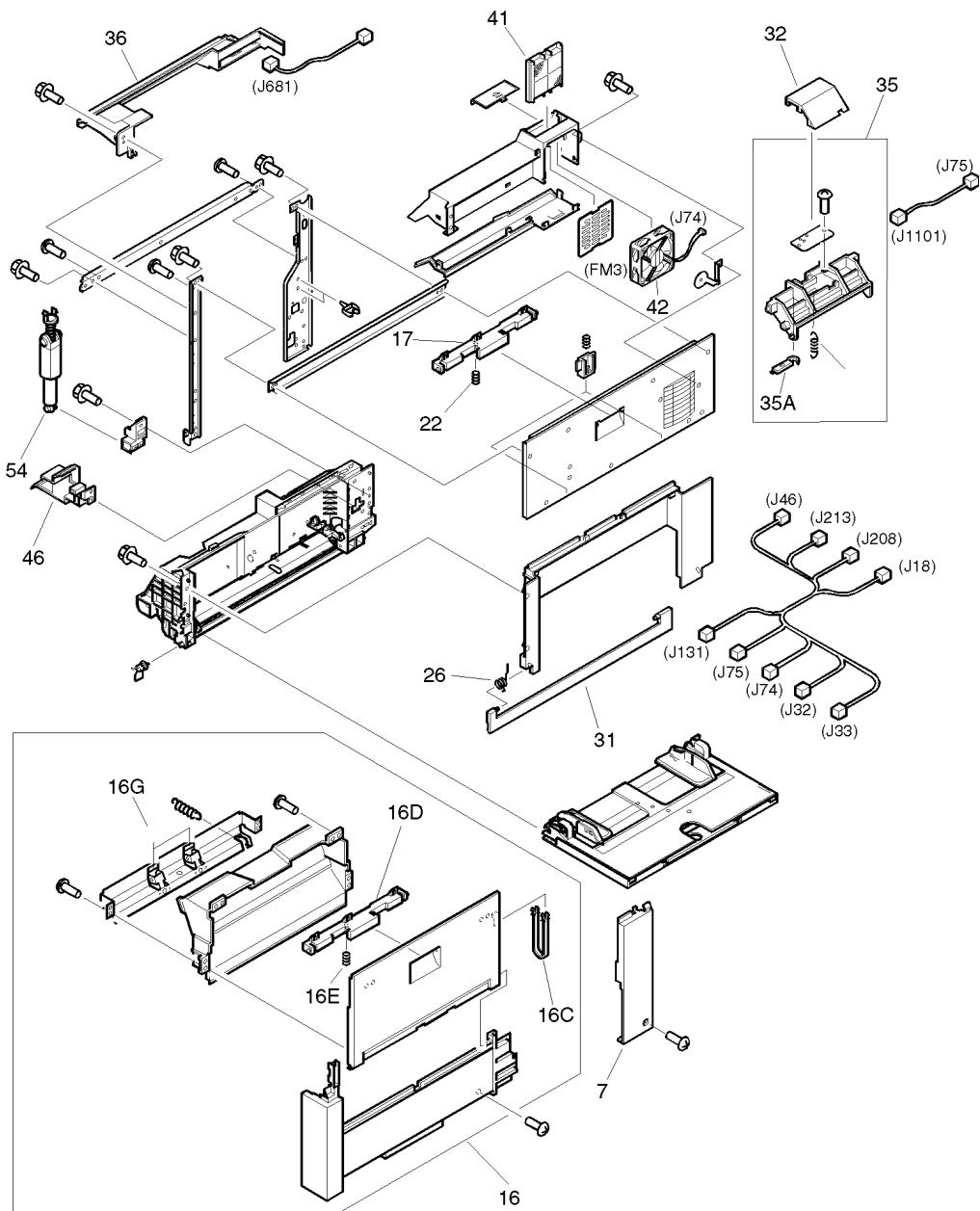


Figure 216. Printer covers and doors (3 of 3)

Table 53. Printer covers and doors parts

Ref.	Description	Part number	Qty.
7	Cover, right rear	RA0-0067-000CN	1
16	Cover assembly, right lower	RG5-3096-000CN	1
16C	Stopper, open/close	RB1-6484-000CN	1
16D	Lever, right lower cover	RB1-6485-000CN	1
16E	Spring, compression	RB1-6486-000CN	1
16G	Roller, paper	RB1-6488-000CN	2
17	Lever, right upper door	RB1-6485-000CN	1
22	Spring, right lower door lever	RB1-6486-000CN	1
26	Spring, torsion	RB1-9798-000CN	1
31	Cover, right subassembly	RF5-1995-000CN	1
32	Cover, density sensor	RB1-9537-000CN	1
35	Density sensor assembly	RG5-3057-000CN	1
35A	Brush, cleaning	RB1-9617-000CN	1
36	Preconditioning exposure LED assembly	RG5-3980-000CN	1
41	Filter, charcoal	RB1-9836-000CN	1
42	Fan 3 (FM3)	RH7-1393-000CN	1
46	Cover, tray 1 side gear	RB1-9547-000CN	1
54	Hinge, stopper (tray 1 delivery assembly)	RG5-3962-000CN	1

Internal cover assembly

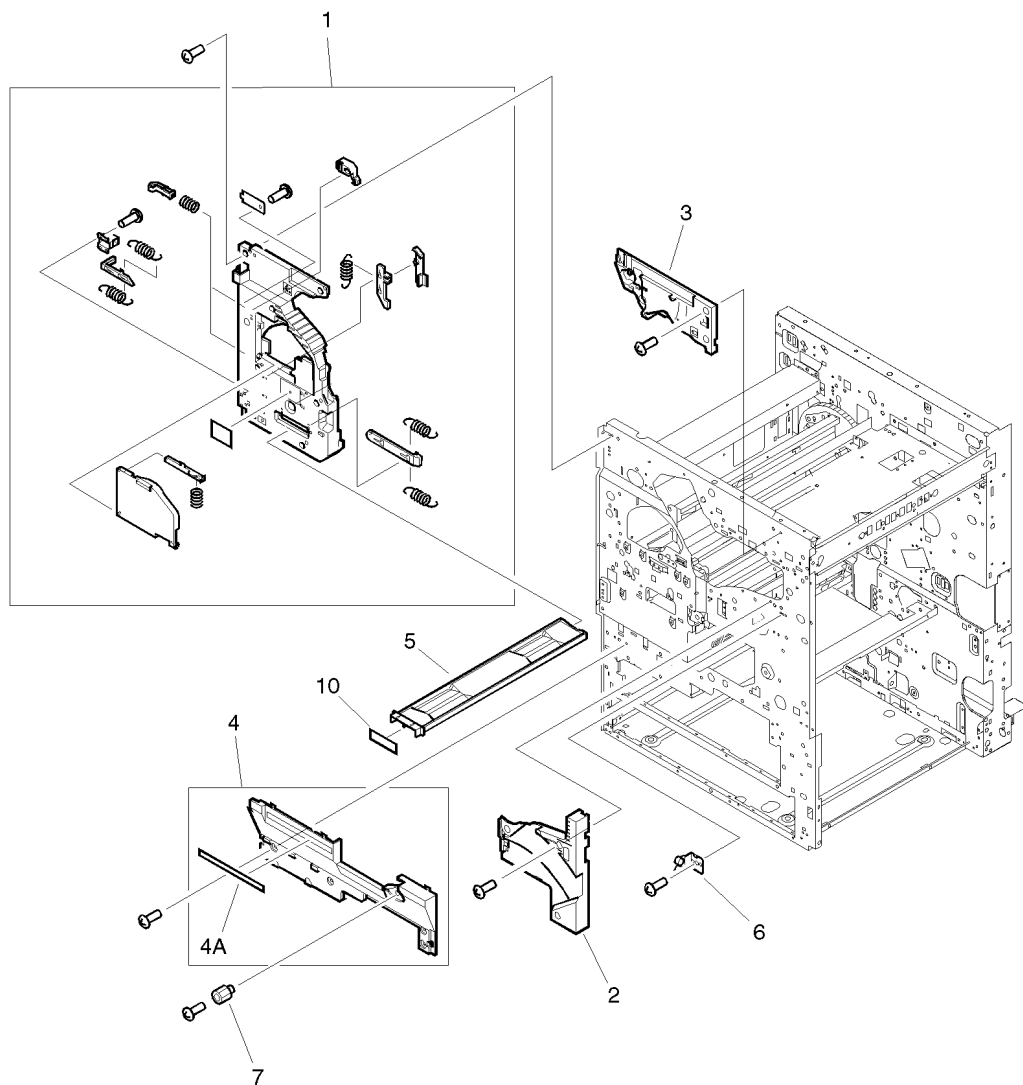


Figure 217. Internal cover assembly

Table 54. Internal cover assembly parts

Ref.	Description	Part number	Qty.
1	Cover assembly, inner left	RG0-0104-000CN	1
2	Cover, inner 2	RA0-0026-000CN	1
3	Cover, inner 3	RA0-0027-000CN	1
4	Cover, inner 4	RF0-0013-000CN	1
4A	Label, "CAUTION"	RS5-8380-000CN	1
5	Waste toner tray	RB1-9804-000CN	1
6	Latch, roller action	RF0-0003-000CN	1
7	Media jam knob	RB1-9928-000CN	1
10	Cover, waste toner tray	RA0-0083-000CN	1

Internal components

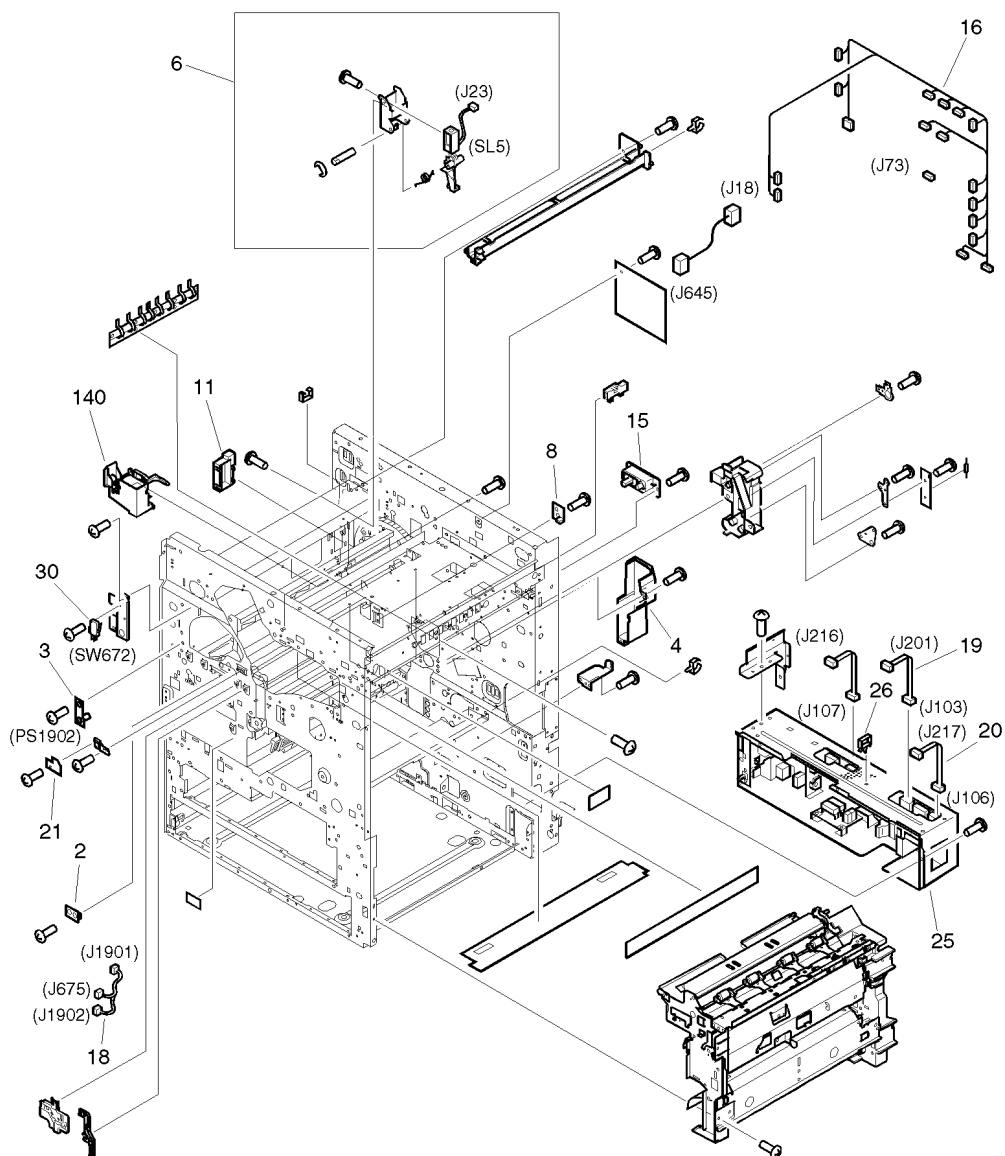


Figure 218. Internal components (1 of 6)

Table 55. Internal components parts (1 of 6)

Ref.	Description	Part number	Qty.
2	PCA, photosensor	RG5-3080-000CN	1
3	Plate, duct mount	RF5-2036-000CN	1
4	Duct, rear lower air	RB1-9401-000CN	1
6	Carousel stop assembly	RG5-3053-000CN	1
8	PCA, fusing delivery sensor	RG5-3992-000CN	1
11	Cover, carousel stop	RB1-9789-000CN	1
15	Connector holder assembly	RG5-3031-000CN	1
16	Cable, main	RG5-3097-000CN	1
18	Cable, sensor	RG5-3144-000CN	1
19	Cable, DC power	RG5-3921-000CN	1
20	Cable, power signal	RG5-3922-000CN	1
21	PCA, cartridge release lever	RG5-3961-000CN	1
25	Power supply assembly (110V) Power supply assembly (220V)	RH3-2185-000CN RH3-2187-000CN	1
30	Switch, toner cartridge cover (SW672)	WC4-5150-000CN	1
140	Face-up solenoid assembly	RG5-3022-000CN	1

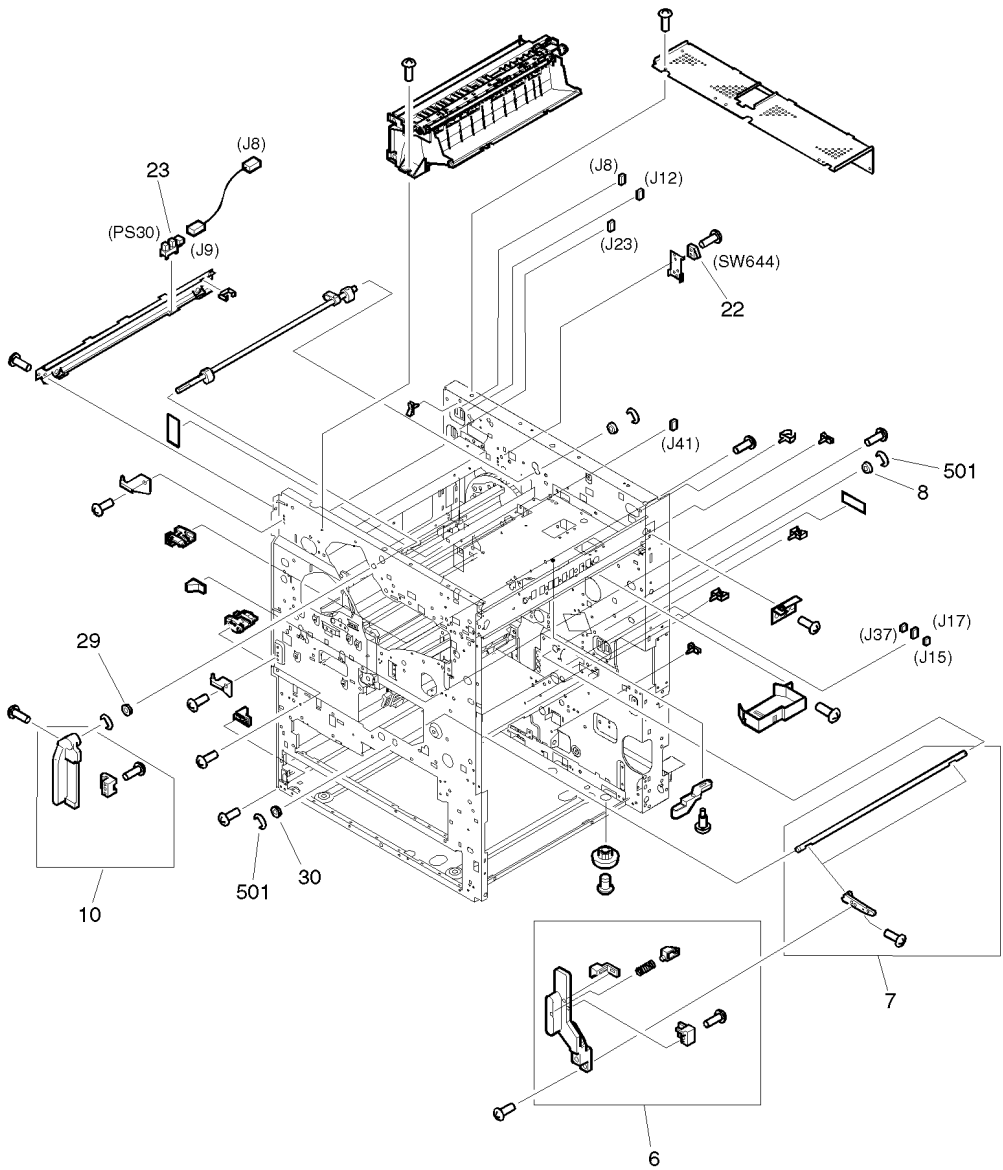


Figure 219. Internal components (2 of 6)

Table 56. Internal components parts (2 of 6)

Ref.	Description	Part number	Qty.
6	Lever assembly, transfer drum	RG5-3046-000CN	1
7	Lever assembly, pressure	RG5-3045-000CN	1
8	Bushing	RS5-1119-000CN	1
10	Lever assembly, black cartridge	RG5-3087-000CN	1
22	Switch, black toner cartridge (SW644)	WC4-5136-000CN	1
23	Photo-interrupter, IC, TLP1240	WG8-5210-000CN	1
29	Bushing	RS5-1317-000CN	1
30	Bushing	RS5-1317-000CN	1
501	Ring, E	XD2-1100-642CN	2

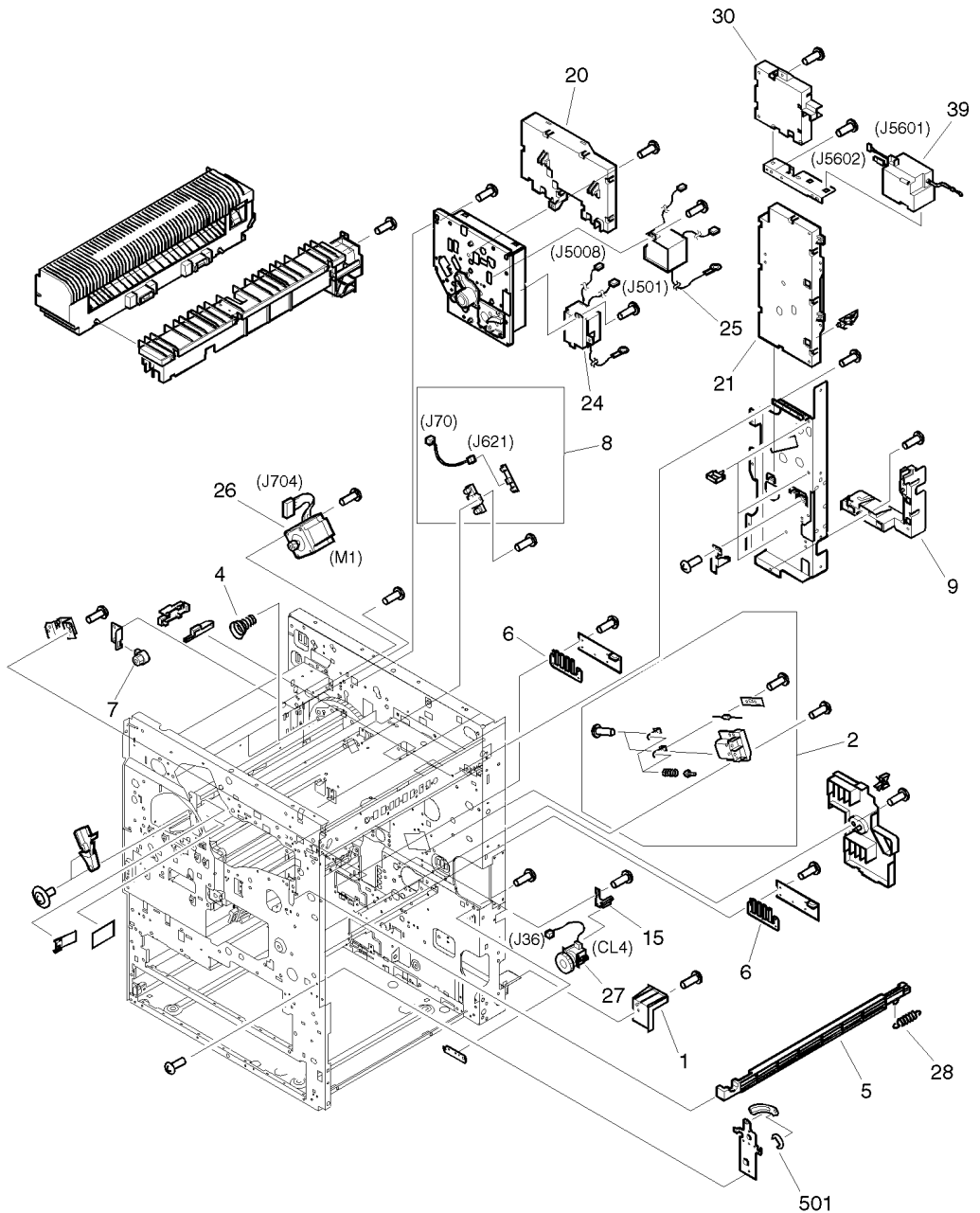


Figure 220. Internal components (3 of 6)

Table 57. Internal components parts (3 of 6)

Ref.	Description	Part number	Qty.
1	Cover, right rear lower corner	RA0-0074-000CN	1
2	Transfer drum contact assembly	RG5-3044-000CN	1
4	Spring, compression	RB1-9675-000CN	3
5	Rod, power switch	RB1-6463-000CN	1
6	Spring, leaf	RB1-6909-000CN	1
7	Gear, 11T	RB1-9424-000CN	1
8	Sensor assembly, color toner	RG5-3034-000CN	1
9	Cover, cable	RB1-9805-000CN	1
15	Mount, clutch	RB1-9828-000CN	1
20	PCA, high-voltage converter 1	RG5-3026-000CN	1
21	PCA, high-voltage converter 2	RG5-3943-000CN	1
24	High-voltage converter 1	RH3-0211-000CN	1
25	High-voltage converter 2	RH3-0228-000CN	1
26	Motor, carousel (M1)	RH7-1325-000CN	1
27	Clutch, transfer belt press (CL4)	RH7-5168-000CN	1
28	Spring, tension	RS5-2465-000CN	1
30	Separation discharge high-voltage converter PCA	RG5-3966-000CN	1
39	Separation discharge high-voltage converter	RH3-0234-000CN	1
501	Ring, E	XD2-1100-502CN	2

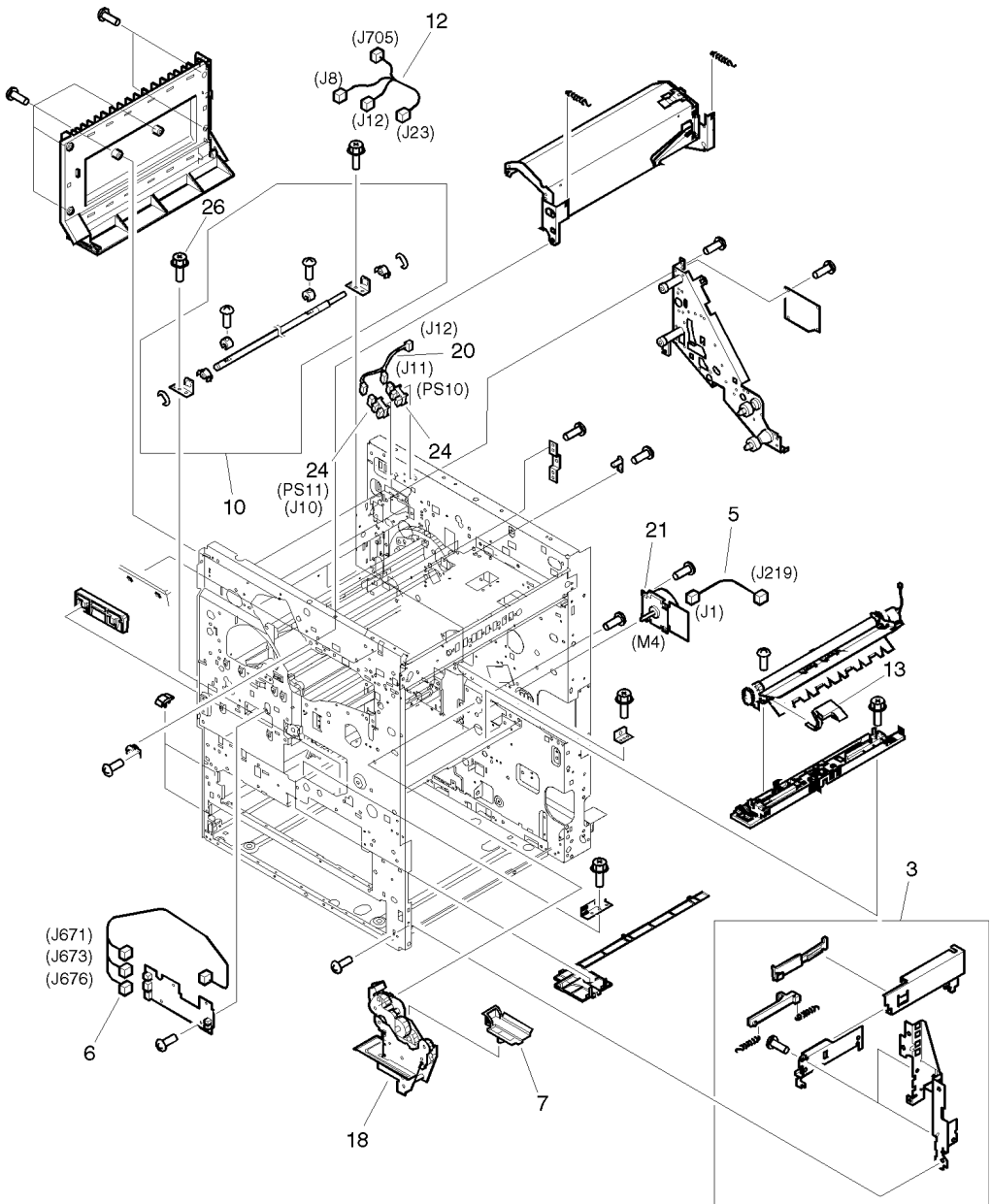


Figure 221. Internal components (4 of 6)

Table 58. Internal components parts (4 of 6)

Ref.	Description	Part number	Qty.
3	Tray rail assembly	RG5-1851-000CN	1
5	Cable, main motor	RG5-3942-000CN	1
6	Cable, carousel	RG5-3923-000CN	1
7	Cover, gear	RB1-9403-000CN	1
10	Transfer swing assembly	RG5-3010-000CN	1
12	Cable, delivery connector	RG5-3147-000CN	1
13	Lever, registration roller	RB1-9580-000CN	1
18	Main drive assembly	RG5-3066-000CN	1
20	Cable, delivery	RG5-3104-000CN	1
21	Motor, main (M4)	RH7-1323-000CN	1
24	Photo-interrupter, IC, TLP1241	WG8-5362-000CN	1
26	Screw, RS, M3 x 6	XA9-0849-000CN	10

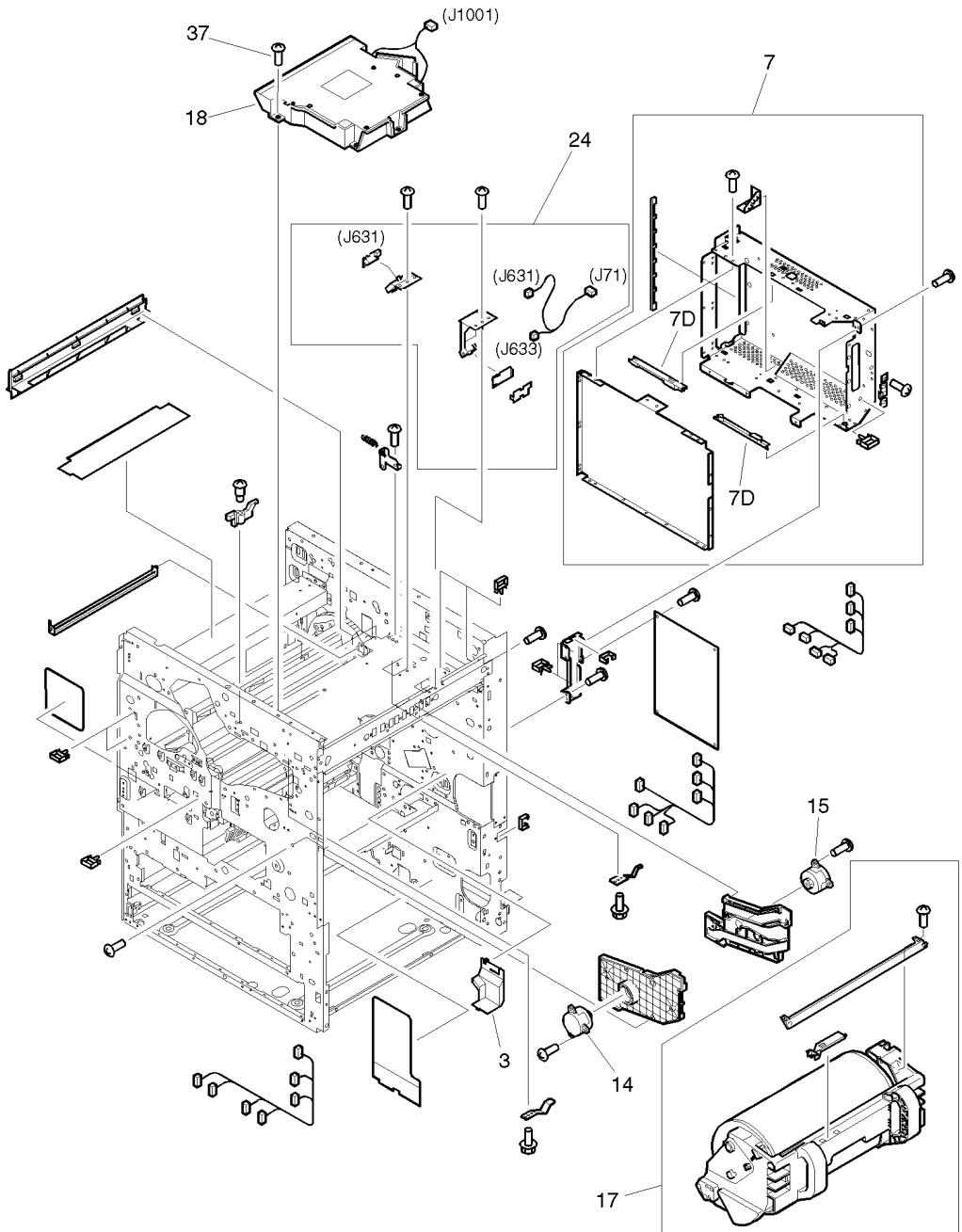


Figure 222. Internal components (5 of 6)

Table 59. Internal components parts (5 of 6)

Ref.	Description	Part number	Qty.
3	Cover, cable	RB1-9948-000CN	1
7	Shield case assembly	RG5-3023-000CN	1
7D	Rail, PCA	RB2-0005-000CN	1
14	Gear, 14T	RB1-9955-000CN	1
15	Gear, 14T	RB1-9956-000CN	1
17	Transfer drum	RG5-3039-000CN	1
18	Laser/scanner unit	RG5-3936-000CN	1
24	Sensor assembly, toner waste	RG5-3934-000CN	1
37	Screw, w/washer, M4 x 12	XA9-0940-000CN	4

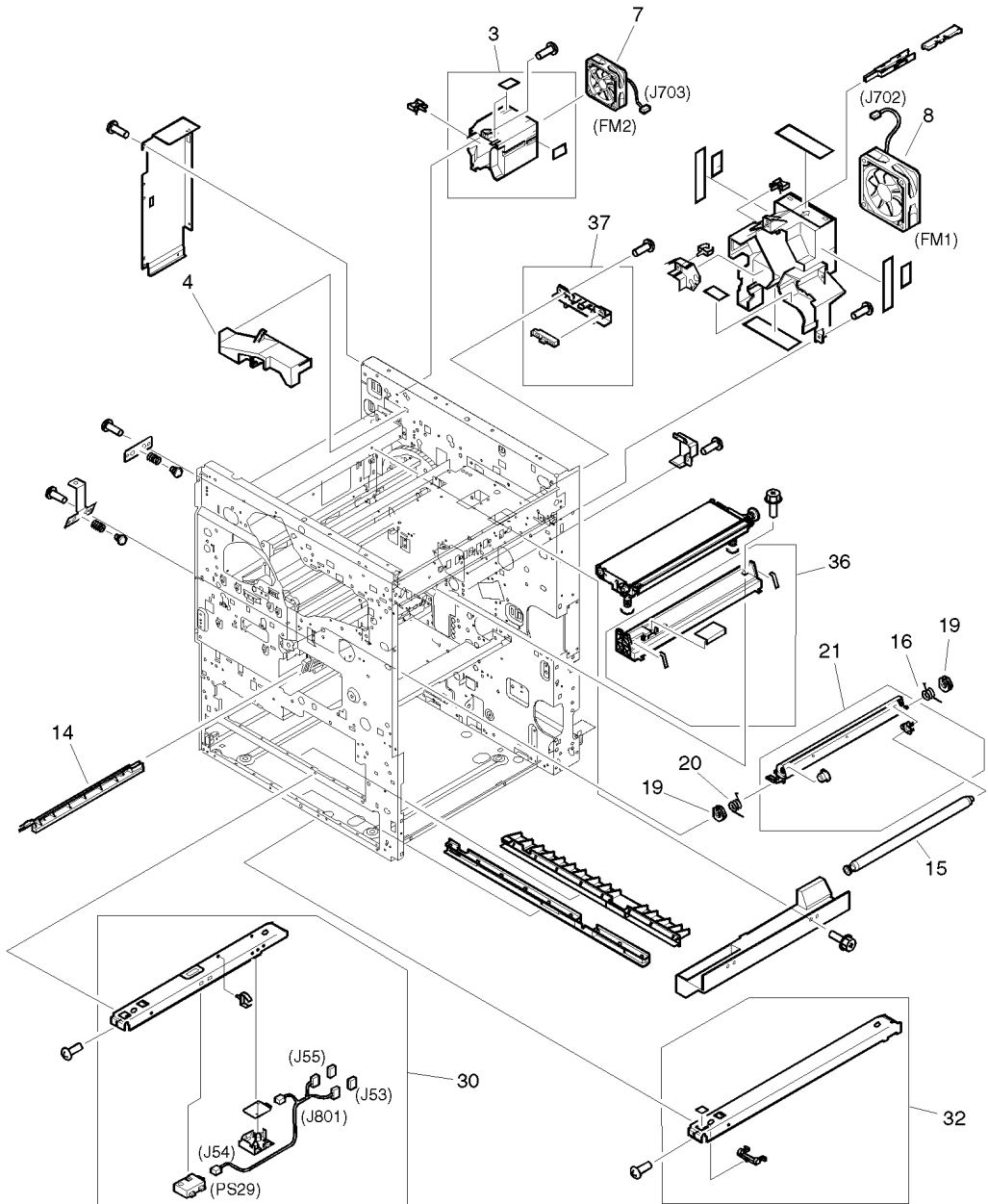


Figure 223. Internal components (6 of 6)

Table 60. Internal components parts (6 of 6)

Ref.	Description	Part number	Qty.
3	Holder, fan	RF5-2025-000CN	1
4	Duct	RB1-9682-000CN	1
7	Fan 2 (FM2)	RH7-1373-000CN	1
8	Fan 1 (FM1)	RH7-1330-000CN	1
14	Static charge eliminator assembly	RG5-3973-000CN	1
15	Cleaning roller assembly	RG5-3975-000CN	1
16	Spring, torsion	RS5-2698-000CN	1
19	Bushing	RS5-1319-000CN	2
20	Spring, torsion	RS5-2697-000CN	1
21	Transfer drum cleaner holder assembly	RG5-3111-000CN	1
30	Cassette crossmember assembly	RG5-3089-000CN	1
32	Rail, tray 3	RF5-1396-000CN	1
36	Transfer mount assembly	RG5-3008-000CN	1
37	Sensor slider assembly	RG5-3131-000CN	1

Drum/cartridge drive assembly

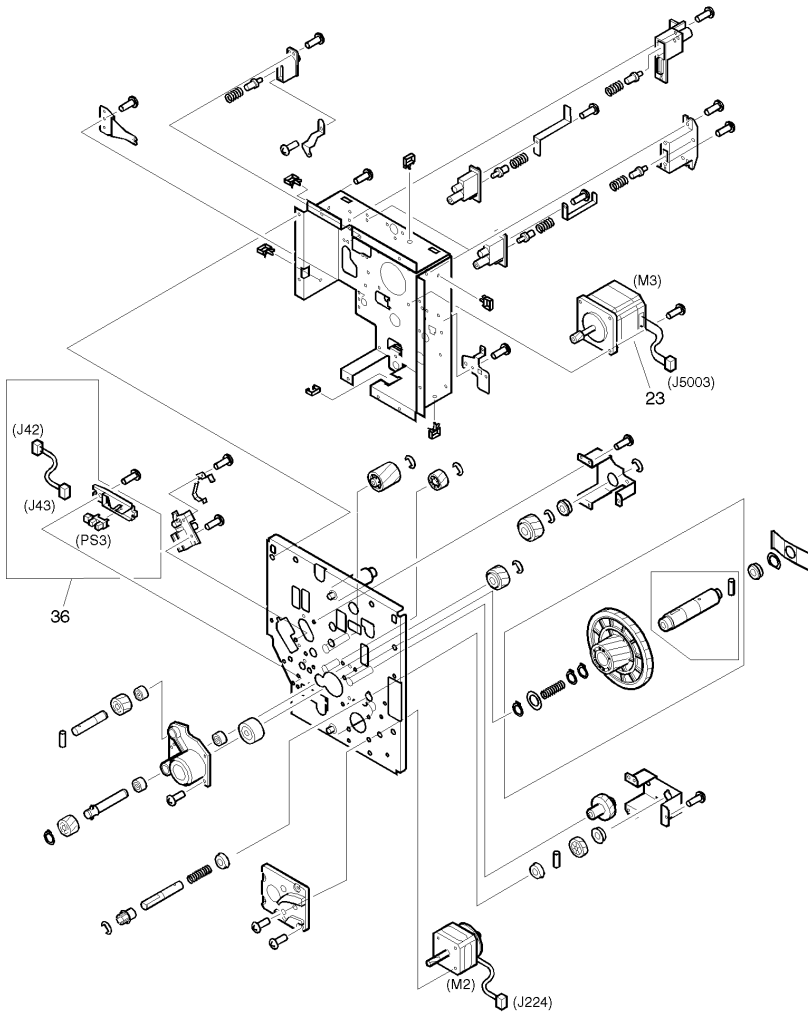


Figure 224. Drum/cartridge drive assembly

Table 61. Drum/cartridge drive assembly parts

Ref.	Description	Part number	Qty.
—	Drum/cartridge drive assembly	RG5-3065-000CN	1
23	Motor, cartridge (M3)	RH7-1328-000CN	1
36	Developing rotary	RG5-3033-000CN	1

Delivery drive assembly

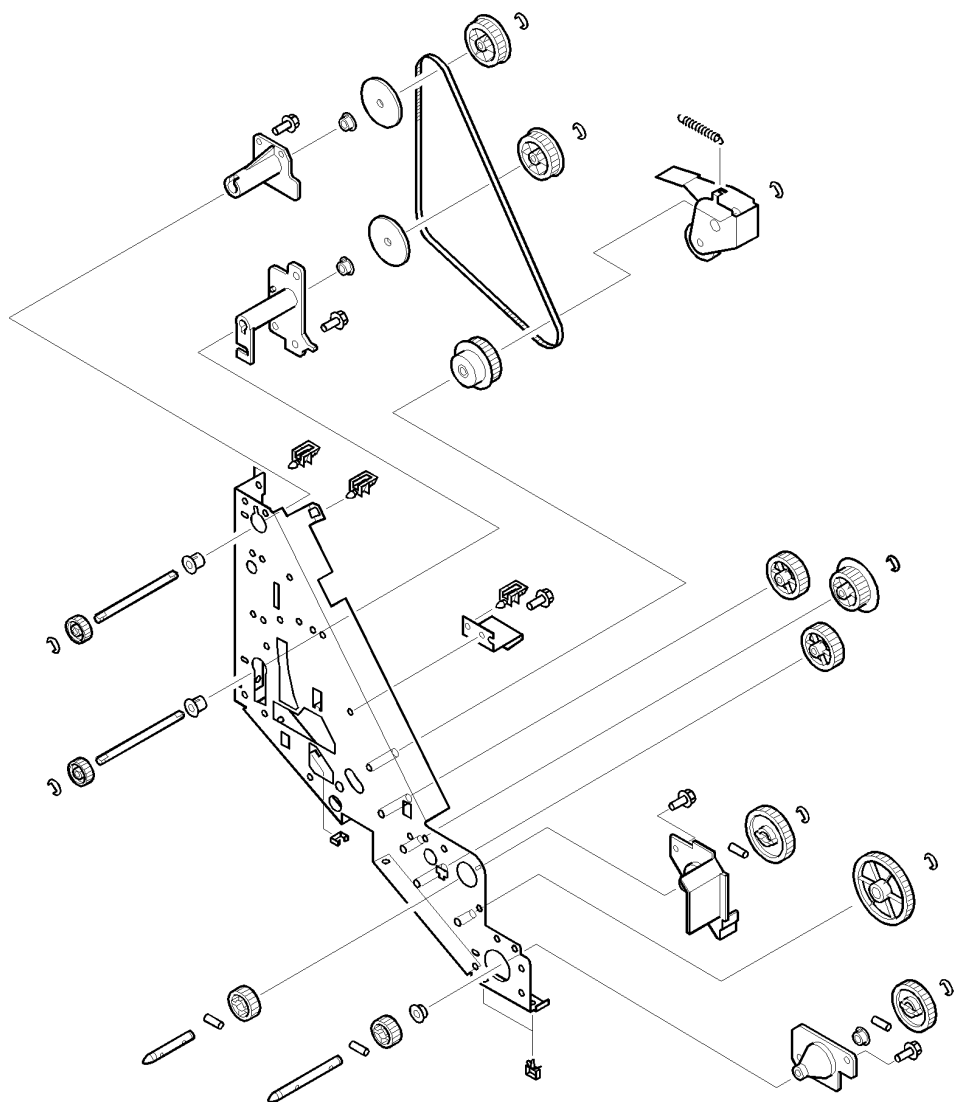


Figure 225. Delivery drive assembly

Table 62. Delivery drive assembly parts

Ref.	Description	Part number	Qty.
—	Delivery drive assembly	RG5-3067-000CN	1

Tray 3 assembly

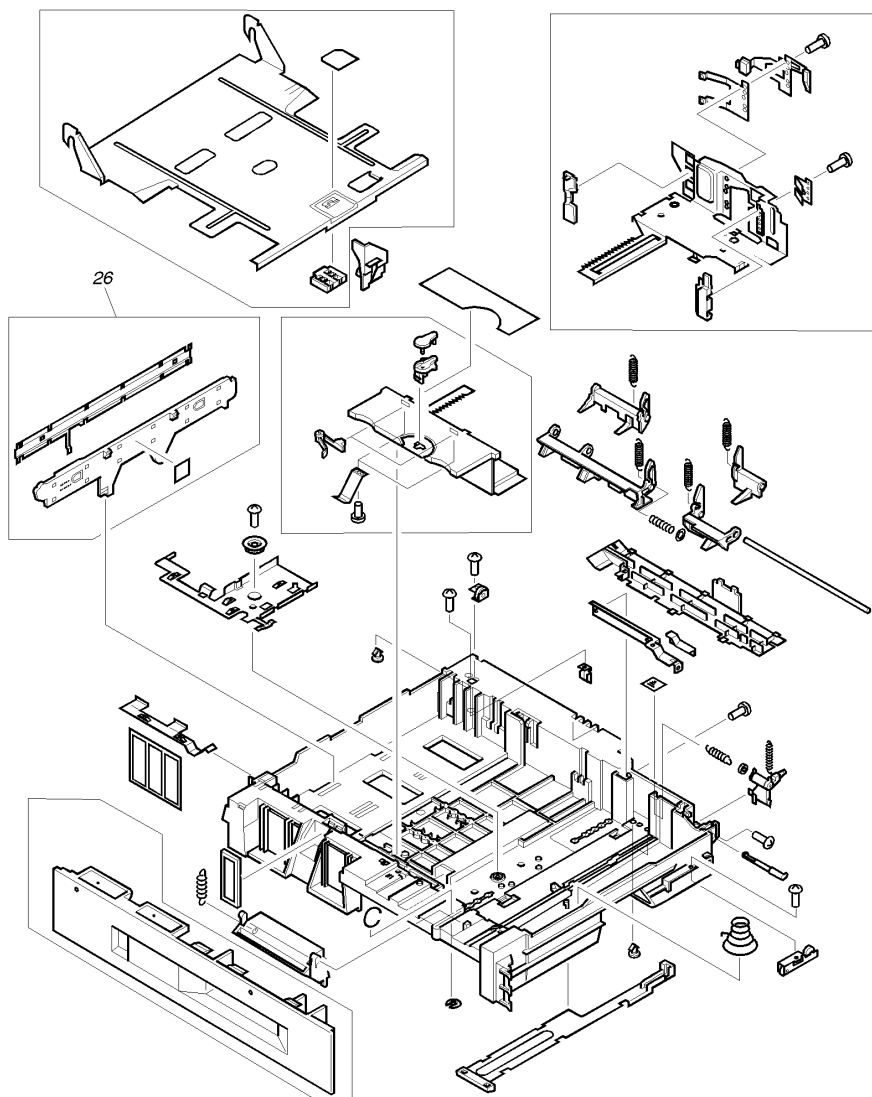


Figure 226. Tray 3 assembly

Table 63. Tray 3 assembly parts

Ref.	Description	Part number	Qty.
—	Tray 3	—	1
26	Plate, end	RF5-1484-000CN	1

Tray 2 assembly

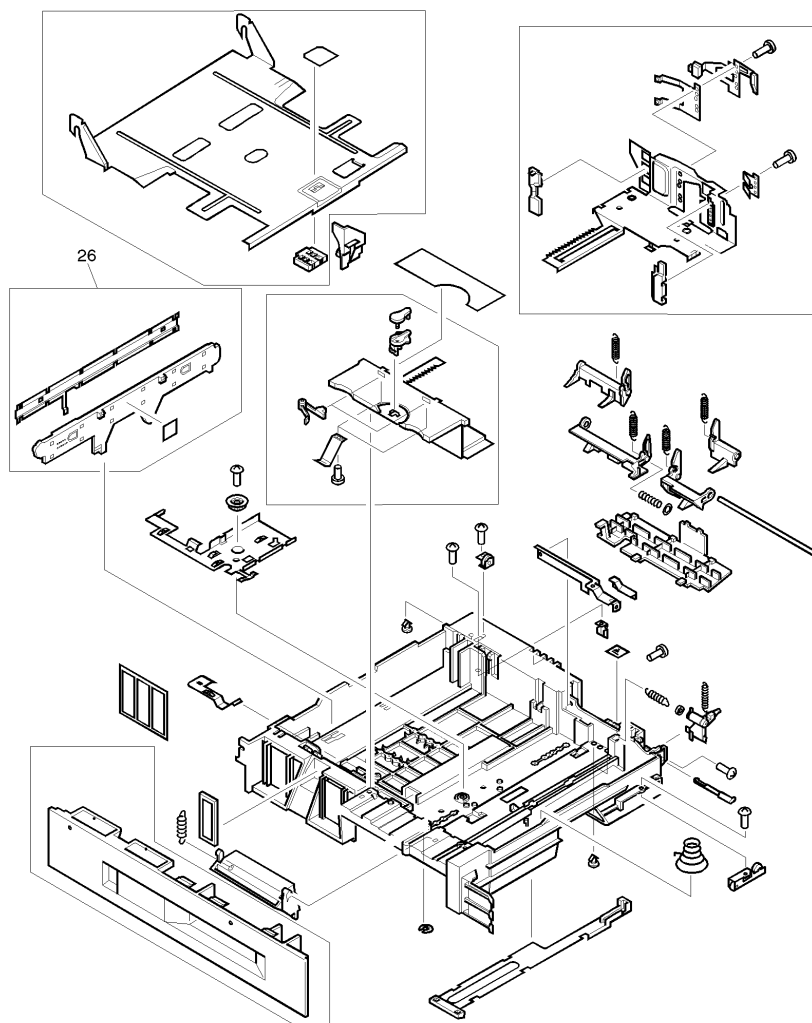


Figure 227. Tray 2 assembly

Table 64. Tray 2 assembly

Ref.	Description	Part number	Qty.
—	Tray 2	—	1
26	Plate, end	RF5-1484-000CN	1

Paper pick-up assembly

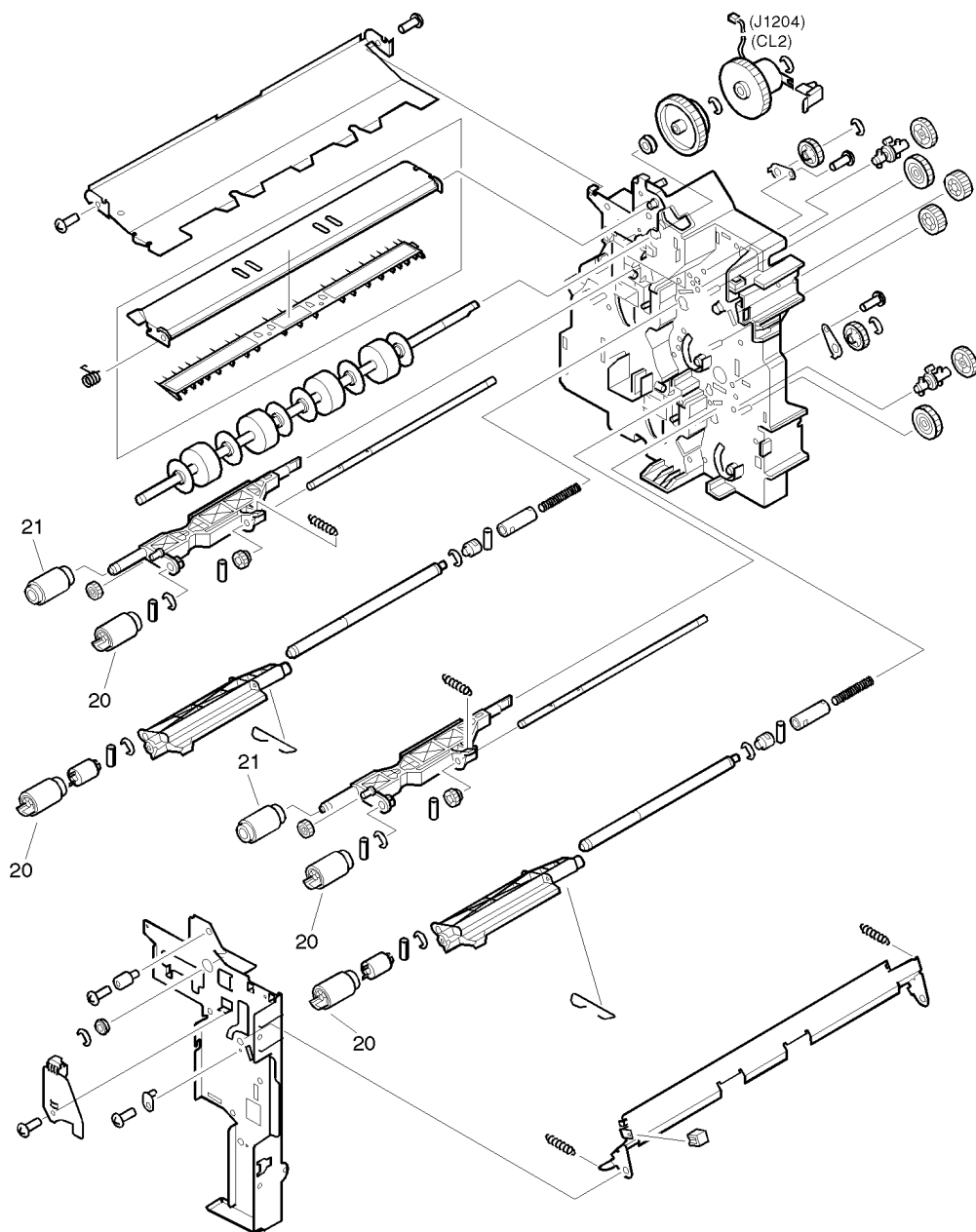


Figure 228. Paper pick-up assembly (1 of 3)

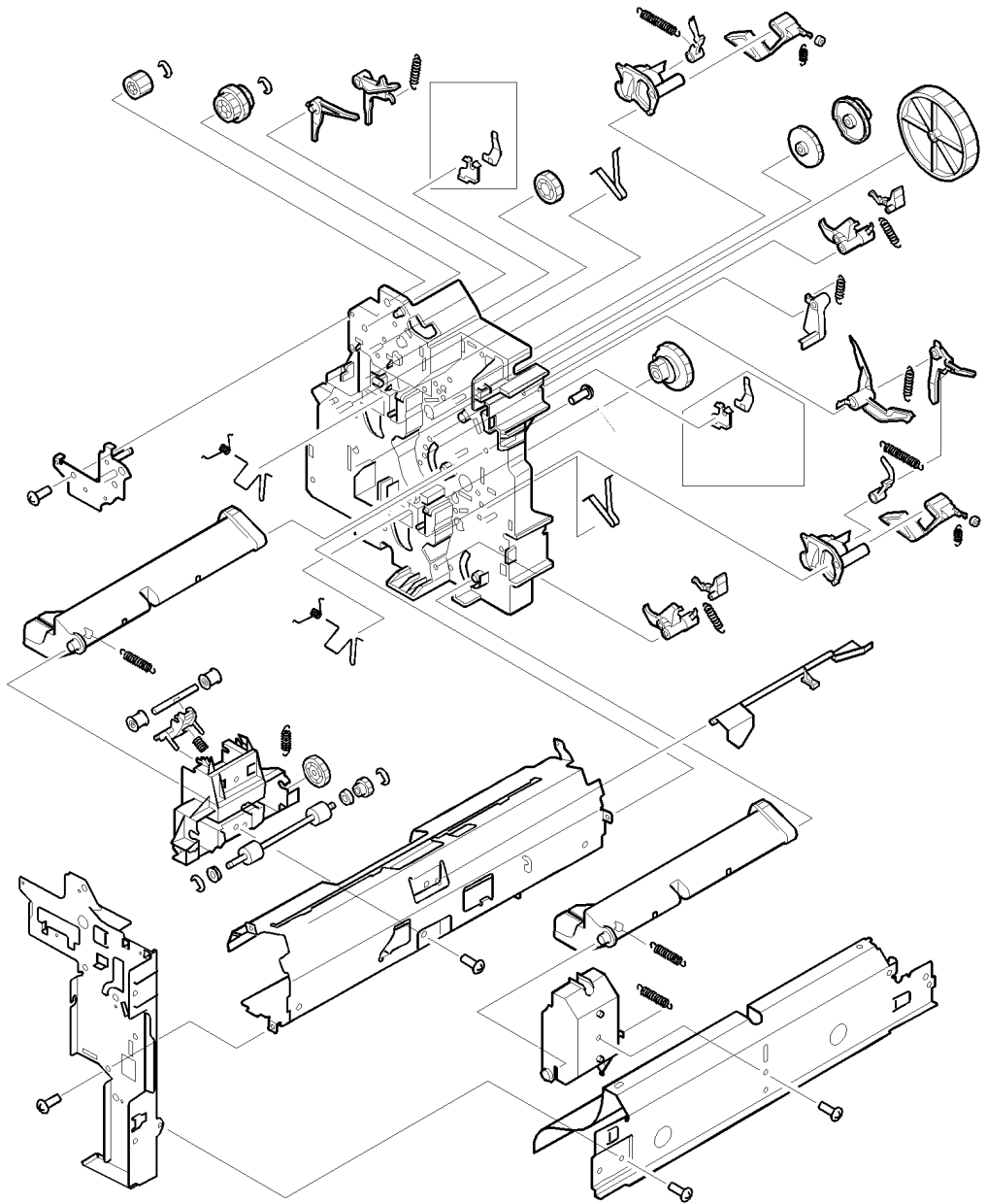


Figure 229. Paper pick-up assembly (2 of 3)

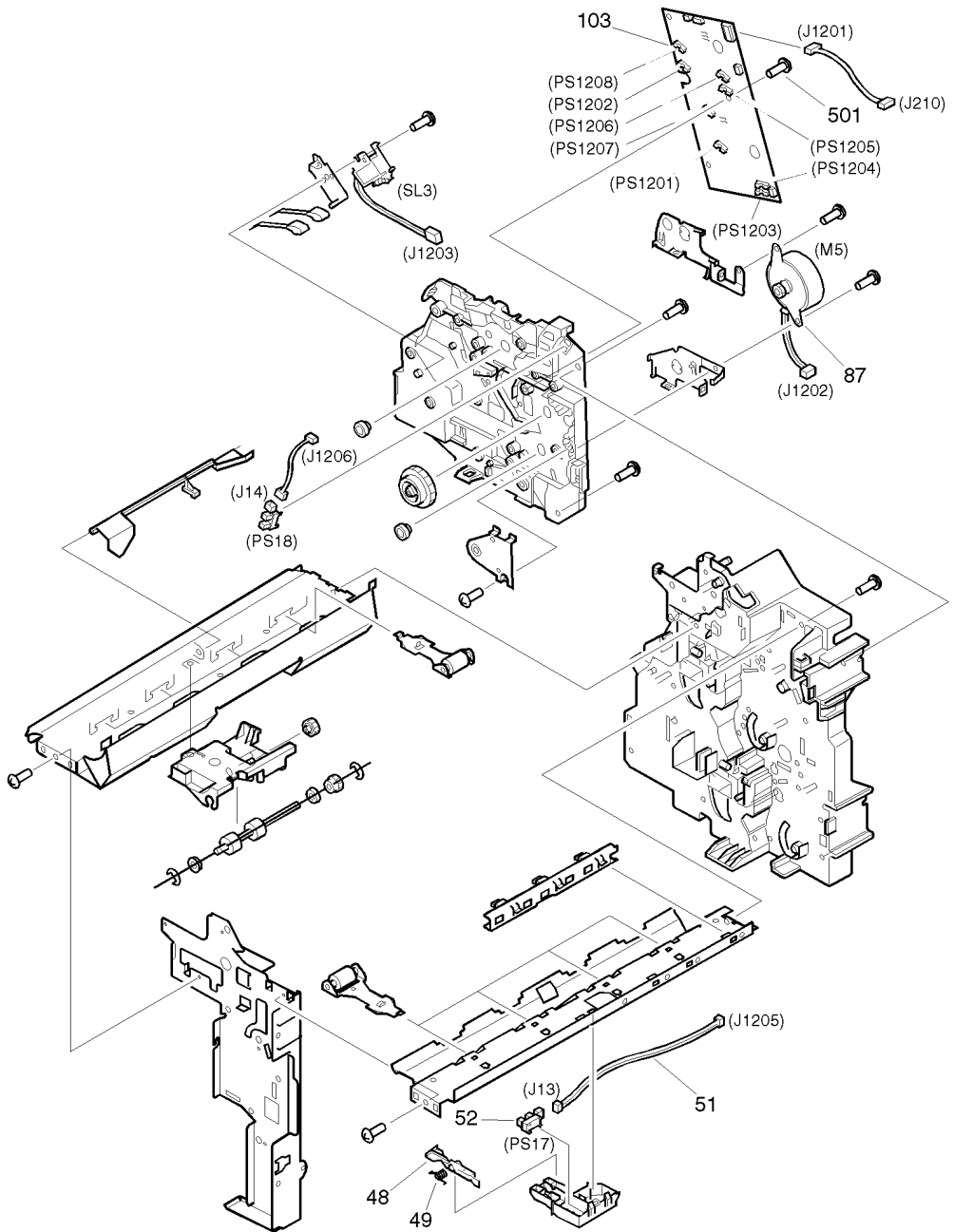


Figure 230. Paper pick-up assembly (3 of 3)

Table 65. Paper pick-up assembly parts

Ref.	Description	Part number	Qty.
—	Paper pick-up assembly	RG5-3132-000CN	1
20	Roller, feed	RF5-1834-000CN	1
21	Roller, pick-up	RF5-1835-000CN	2
48	Flag, paper sensing	RB1-6557-000CN	1
49	Spring, torsion	RB1-6558-020CN	1
51	Arm, sensor	RG5-1859-000CN	1
52	Photo-interrupter, IC, TLP1230	WG8-0291-000CN	1
87	Motor, pick-up (M5)	RH7-1350-000CN	1
103	PCA, paper pick-up	RG5-1860-000CN	1
501	Screw, tapping, pan head, M4 x 10	XB4-7401-007CN	6

Registration frame assembly

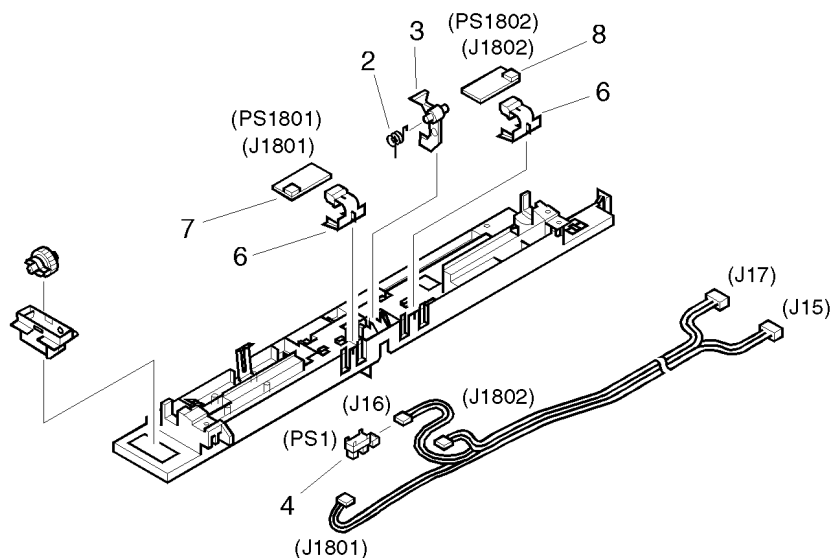


Figure 231. Registration frame assembly

Table 66. Registration frame assembly parts

Ref.	Description	Part number	Qty.
—	Registration frame assembly	RG5-3007-000CN	1
2	Spring, torsion	RB1-6409-000CN	1
3	Arm, sensor	RB1-6417-000CN	1
4	PCA, photo-interrupter, IC, TLP1240	WG8-5210-000CN	1
6	Cover, sensor	RB1-9586-000CN	1
7	PCA, photosensor	RG5-3032-000CN	1
8	PCA, photosensor	RG5-3079-000CN	1

Registration roller assembly

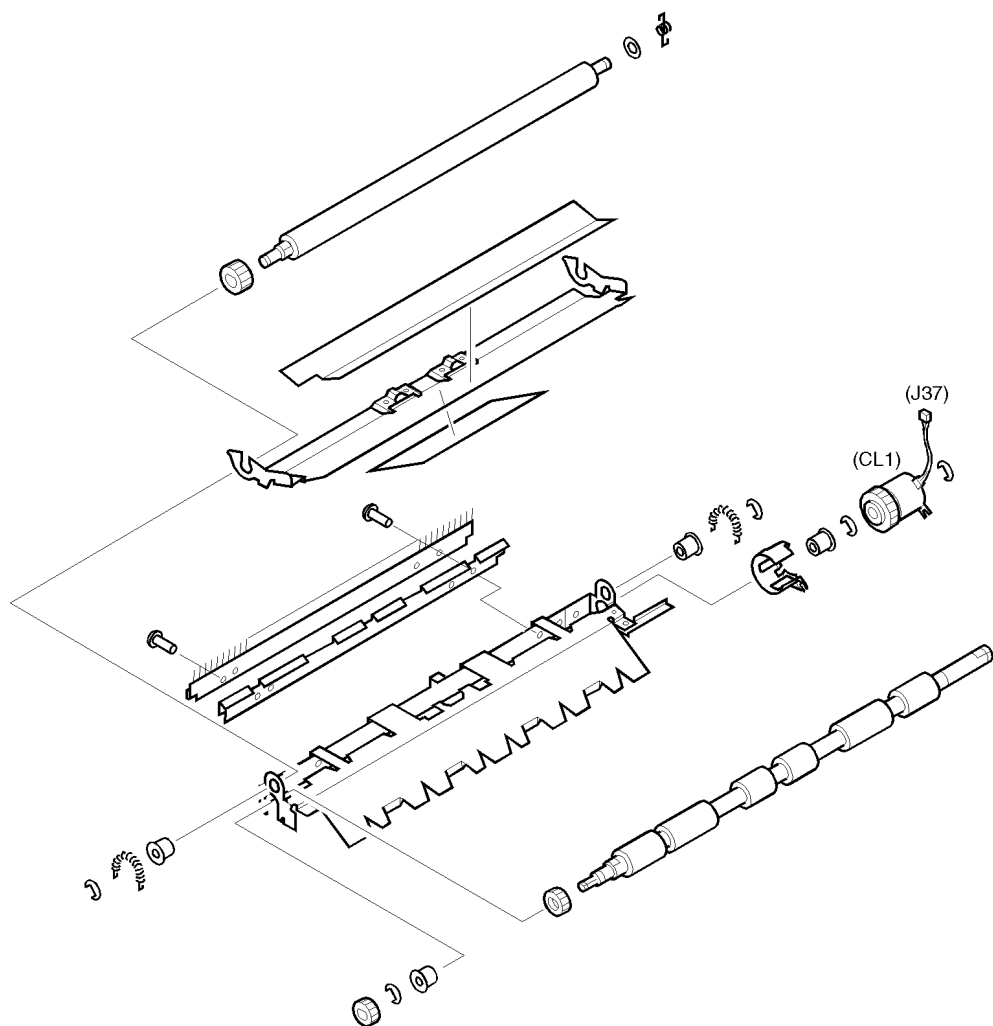


Figure 232. Registration roller assembly

Table 67. Registration roller assembly parts

Ref.	Description	Part number	Qty.
—	Registration roller assembly	RG5-3009-000CN	1

Feeder assembly

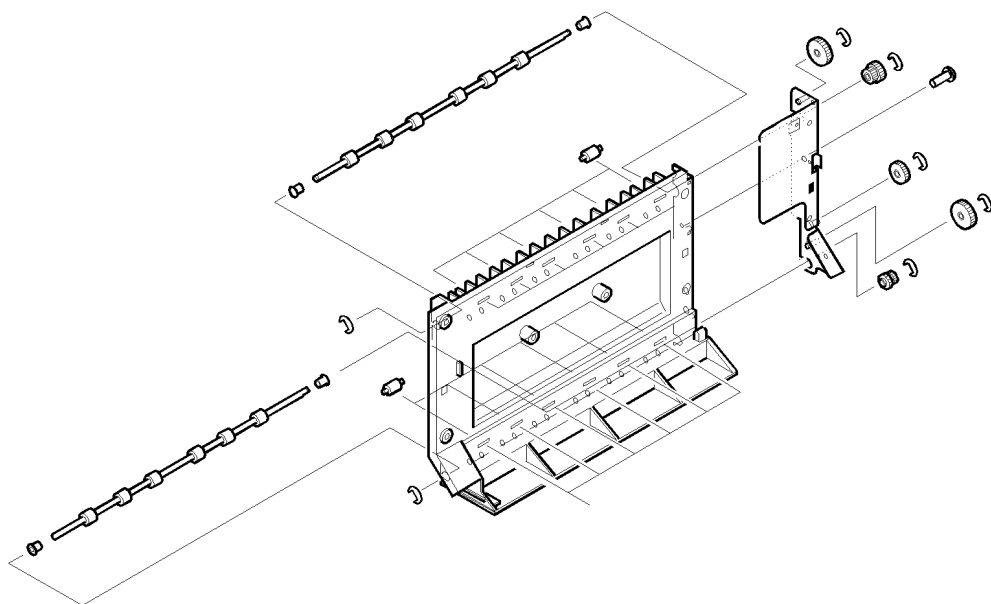


Figure 233. Feeder assembly

Table 68. Feeder assembly parts

Ref.	Description	Part number	Qty.
—	Feeder assembly	RG5-3059-000CN	1

Tray 1 pick-up assembly

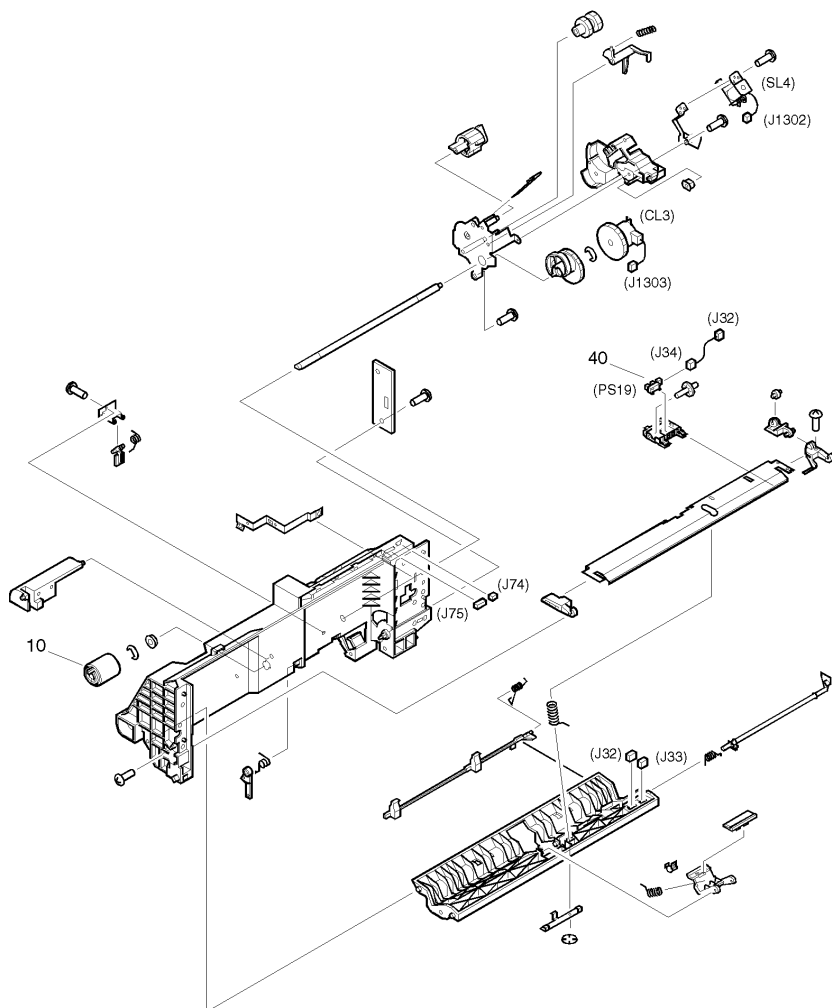


Figure 234. Tray 1 pick-up assembly

Table 69. Tray 1 pick-up assembly parts

Ref.	Description	Part number	Qty.
—	Tray 1 pick-up assembly	RG5-3054-000CN	1
10	Roller, tray 1 pick-up	RB1-9526-000CN	1
40	Photo-interrupter, IC, TLP1240	WG8-5210-000CN	1

Tray 1 assembly

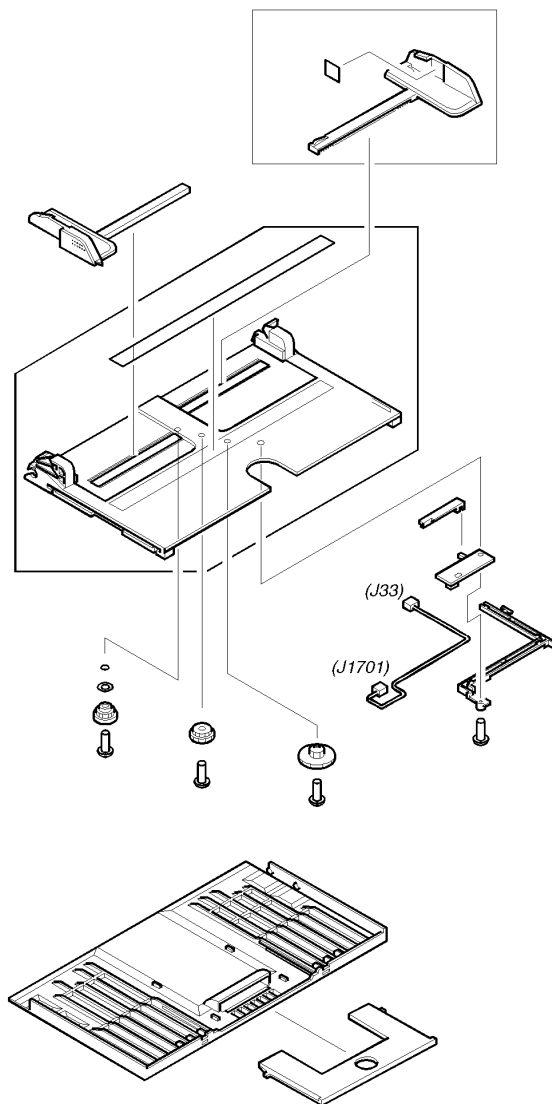


Figure 235. Tray 1 assembly

Table 70. Tray 1 assembly parts

Ref.	Description	Part number	Qty.
—	Tray 1 assembly	RG5-3134-000CN	1

Delivery assembly

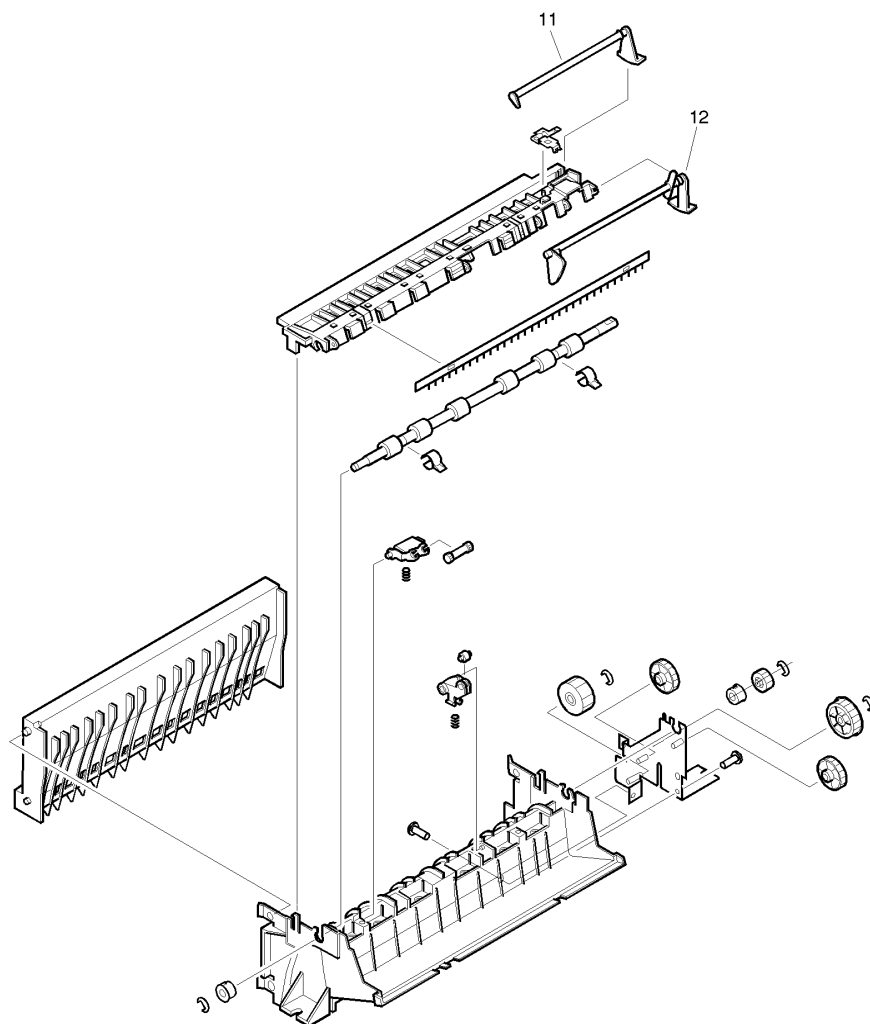


Figure 236. Delivery assembly

Table 71. Delivery assembly parts

Ref.	Description	Part number	Qty.
—	Delivery assembly	RG0-0110-000CN	1
11	Lever, paper sensing	RB1-6692-000CN	1
12	Lever, paper height	RA0-0112-000CN	1

Delivery cover assembly

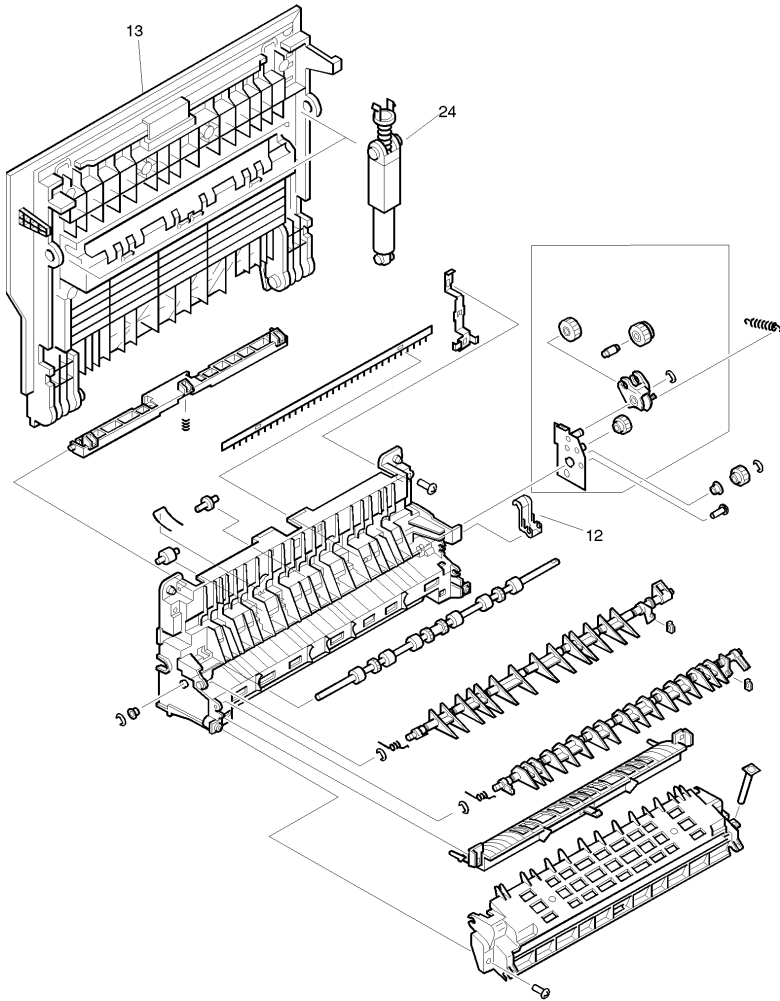


Figure 237. Delivery cover assembly

Table 72. Delivery cover assembly parts

Ref.	Description	Part number	Qty.
—	Delivery cover assembly	RG5-3108-000CN	1
12	Holder, flapper	RB1-9751-000CN	1
13	Cover, left upper	RB2-0057-000CN	1
24	Hinge, stopper (delivery)	RF5-2701-000CN	1

Transfer belt assembly

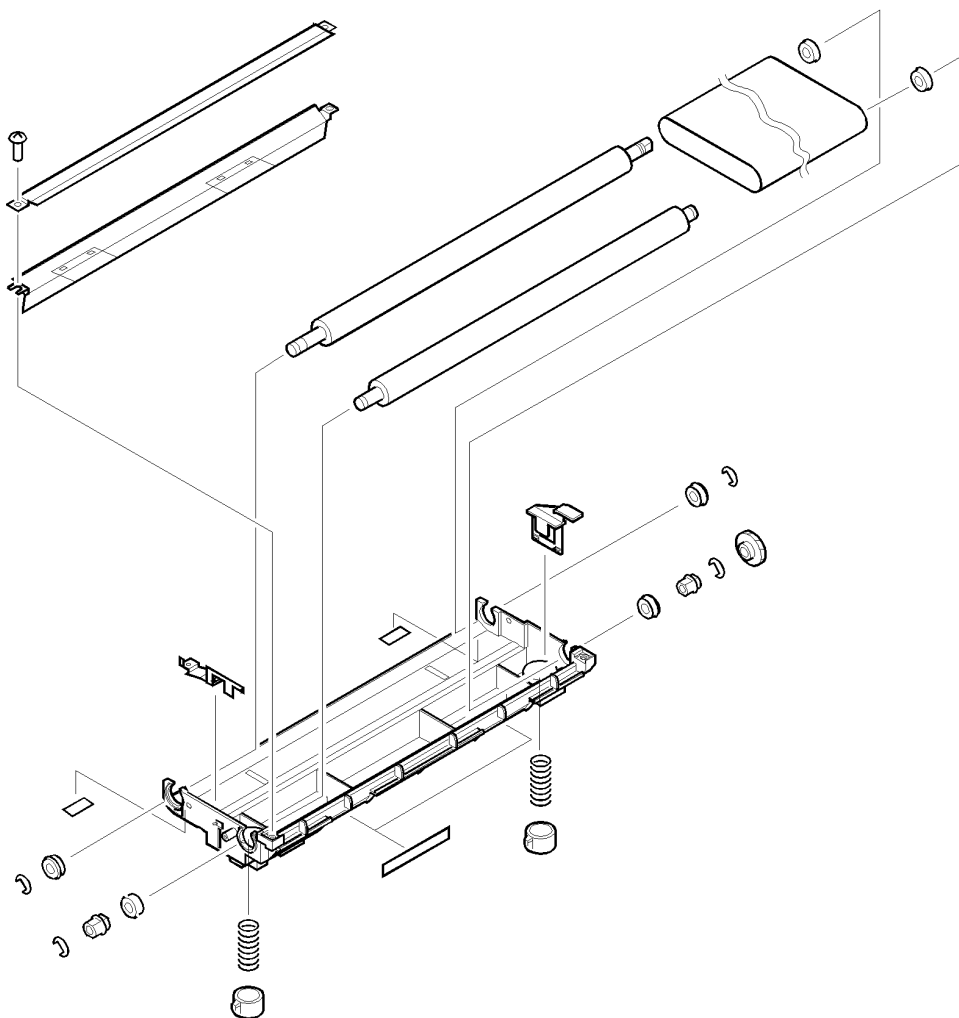


Figure 238. Transfer belt assembly

Table 73. Transfer belt assembly parts

Ref.	Description	Part number	Qty.
—	Transfer belt assembly	RG5-3047-000CN	1

Fuser assembly

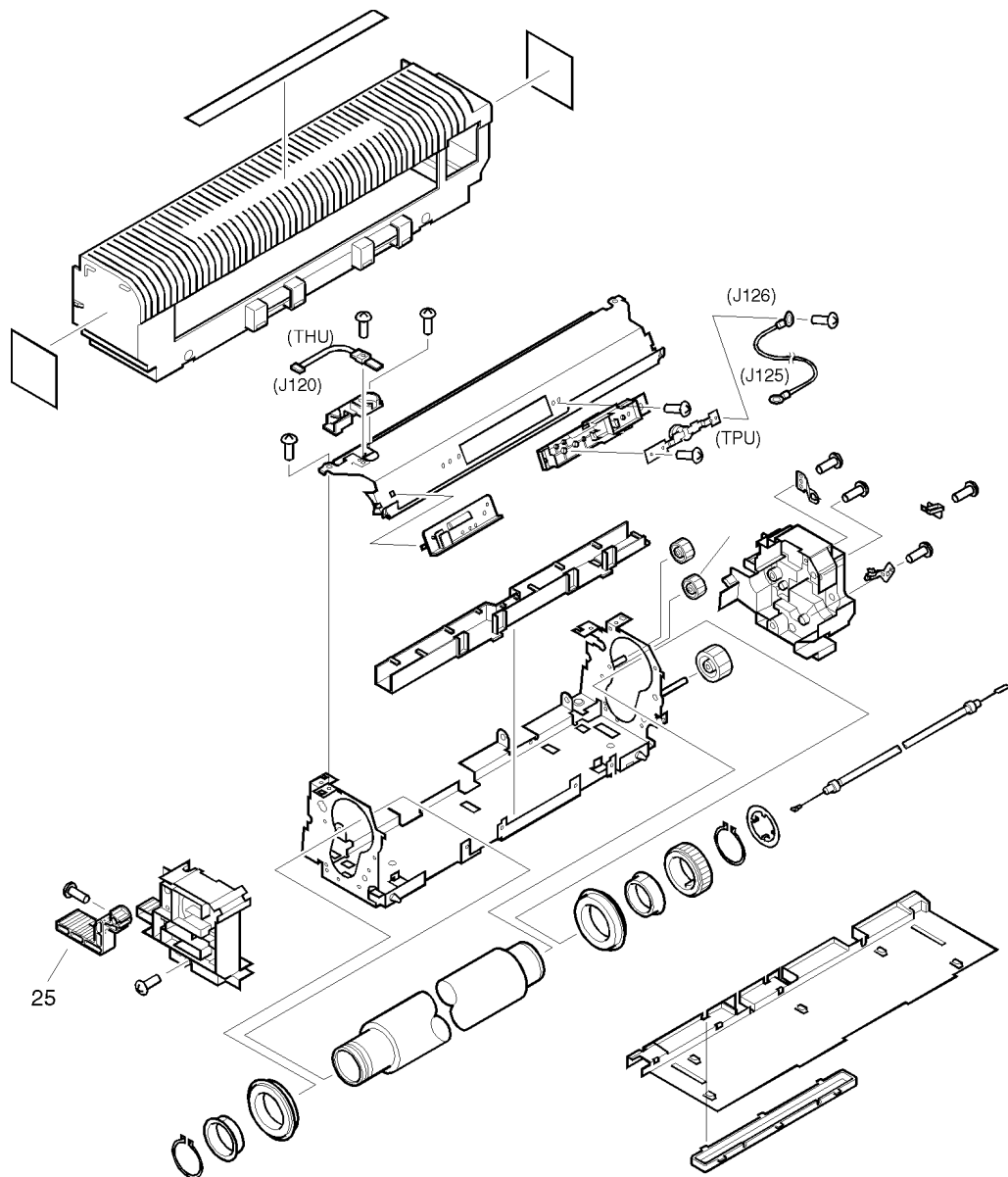


Figure 239. Fuser assembly (1 of 2)

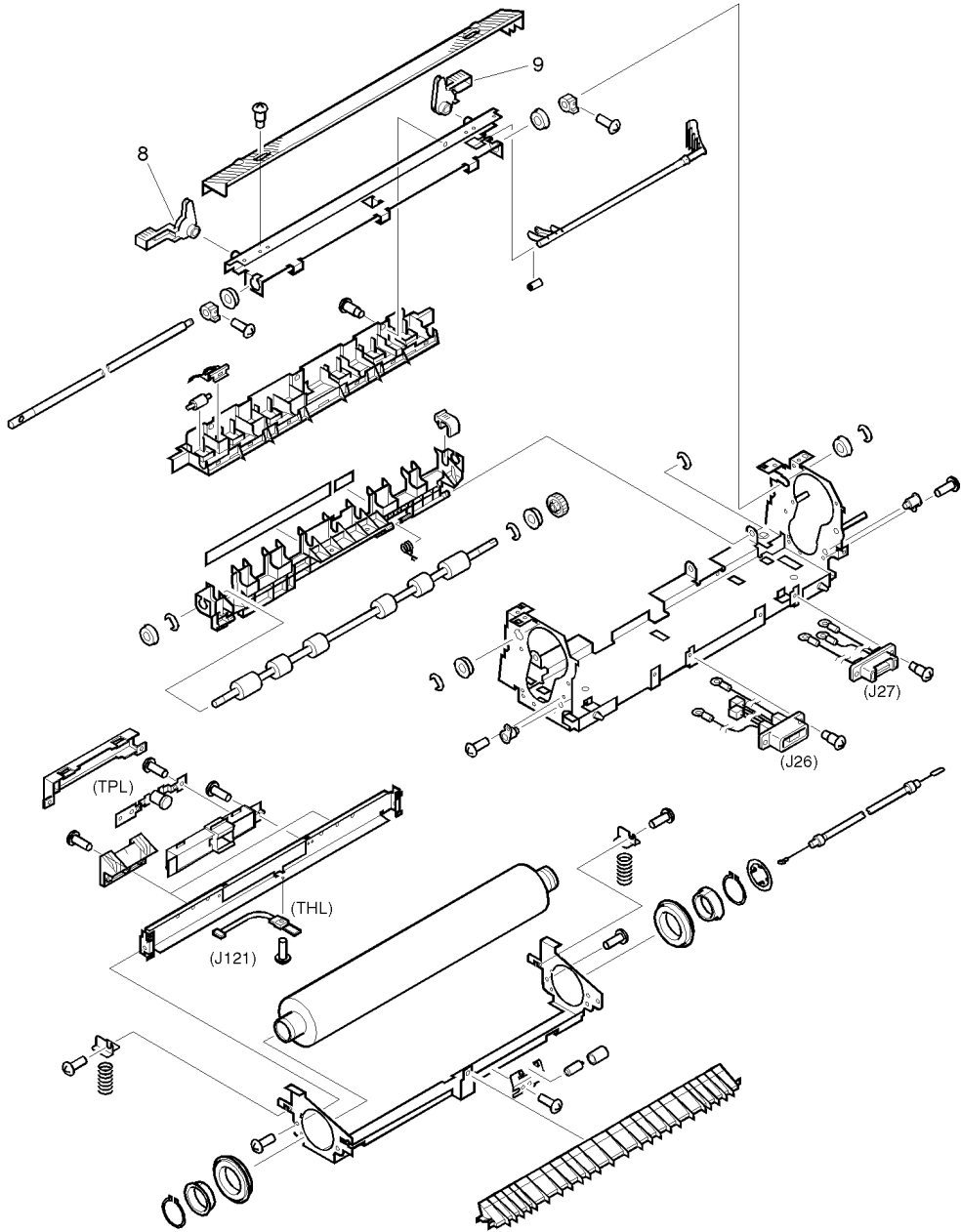


Figure 240. Fuser assembly (2 of 2)

Table 74. Fuser assembly parts

Ref.	Description	Part number	Qty.
—	Fuser assembly (120V) Fuser assembly (220V)	RG5-3060-000CN RG5-3061-000CN	1
8	Lever, holding, right	RB1-9704-000CN	1
9	Lever, holding, left	RB1-9705-000CN	1
25	Lever, release	RB1-9748-000CN	1

PCA assembly location diagram

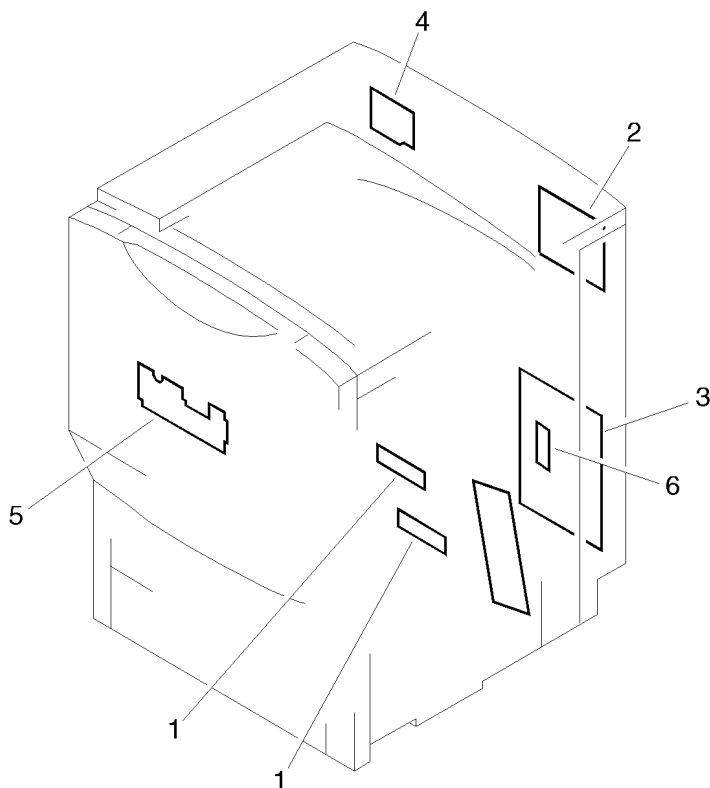


Figure 241. PCA assembly location diagram

Table 75. PCA assembly parts

Ref.	Description	Part number	Qty.
1	PCA, cassette-size sensing	RG5-1845-000CN	1
2	PCA, main relay	RG5-3036-000CN	1
3	PCA, controller board	RG5-3037-000CN	1
4	PCA, carousel motor (M1)	RG5-3084-000CN	1
5	PCA, subrelay	RG5-3085-000CN	1
6	PCA, tray 1	RG5-1884-000CN	1

2,000-sheet input unit covers and doors

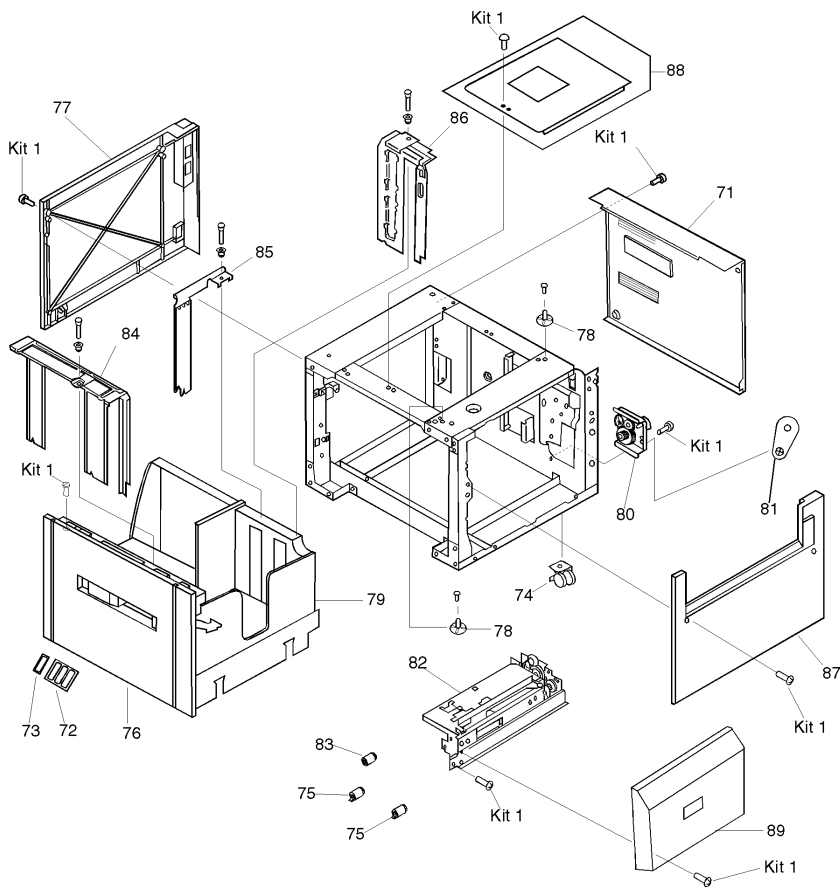


Figure 242. 2,000-sheet input unit covers and doors

Table 76. 2,000-sheet input unit cover and door parts

Ref.	Description	Part number	Qty.
71	Cover, back	RB2-2519-000CN	1
72	Cassette size labels	RS5-8611-000CN	1
73	Cassette size plate	RB1-6894-000CN	1
74	Casters	XZ9-0442-000CN	4
75	Feed and separation rollers	RF5-1834-000CN	2
76	Cover, front (with LED window)	RF5-2568-000CN	1
77	Cover, left	RF5-2646-000CN	1
78	Locating pin, metal (positioning)	RF5-2556-000CN	3
79	Tray 4	RG5-3845-000CN	1
80	Paper deck drive assembly	RG5-3851-000CN	1
81	Paper deck drive bushing	RS5-1399-000CN	1
82	Paper pick-up assembly	RG5-3843-000CN	1
83	Roller, pick-up	RF5-1835-000CN	1
84	Plate paper limit back	RG5-4201-000CN	1
85	Plate paper limit middle	RG5-3849-000CN	1
86	Plate paper reference front	RF5-3850-000CN	1
87	Cover, right	RB1-7832-020CN	1
88	Cover, top (label included)	RG5-2644-000CN	1
89	Vertical transfer unit (VTU)	RG5-3854-000CN	1
Kit 1	Screws kit (2,000-sheet input unit)	RY7-5044-000CN	1

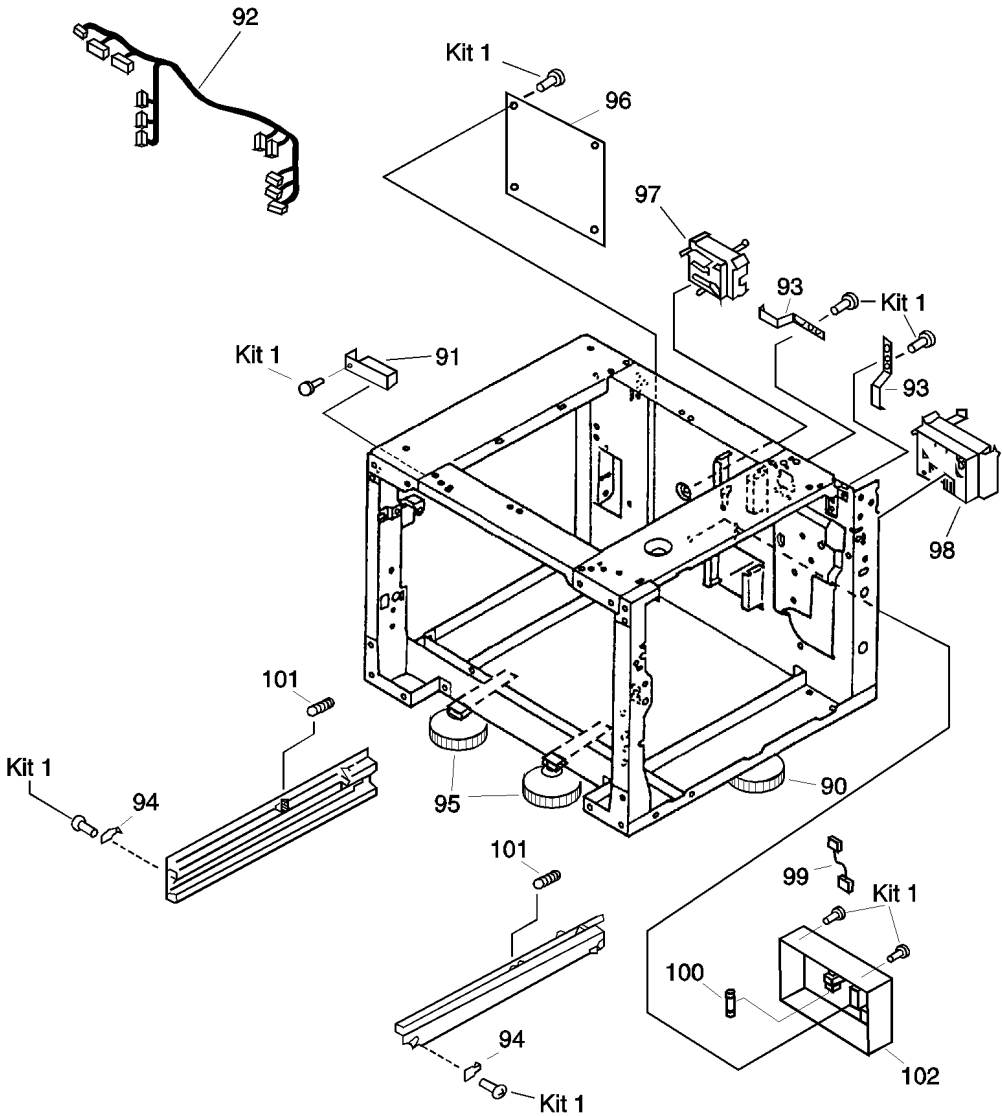


Figure 243. 2,000-sheet input unit internal components

Table 77. 2,000-sheet input unit internal component parts

Ref.	Description	Part number	Qty.
91	Front LED PCA with holder and cable	RG5-4204-000CN	1
92	Cable, main	RG5-3919-000CN	1
93	Metallic retaining spring (spring leaf)	RB1-7835-000CN	2
94	Metallic retaining tab (plate stop)	RB1-7677-000CN	2
95	Outriggers	RG5-4205-000CN	1
96	Paper deck PCA	RG5-3908-000CN	1
97	Paper quantity sensor PCA assembly	RG5-2166-000CN	1
98	Paper size sensor PCA assembly	RG5-2168-000CN	1
99	Power supply cable	RG5-3909-000CN	1
100	Power supply fuse 250V/3.15A	VD7-1893-151CN	1
101	Spring, tension	RS5-2561-000CN	2
102	Universal power supply assembly	RG5-4021-000CN	1
Kit 1	Screws kit (2,000-sheet input unit)	RY7-5044-000CN	1

Multi-bin mailbox components

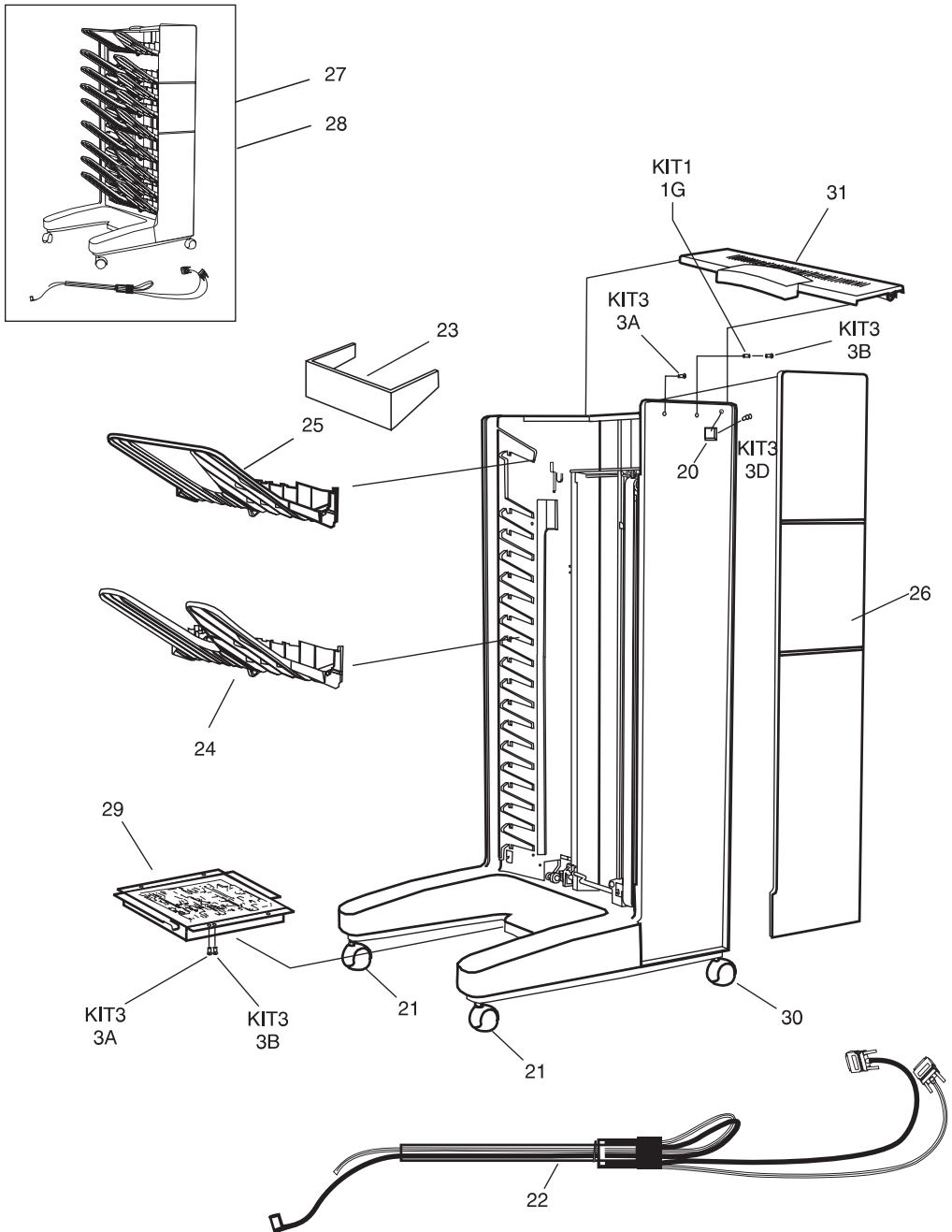


Figure 244. Multi-bin mailbox components (1 of 3)

Table 78. Multi-bin mailbox component parts (1 of 3)

Ref.	Description	Part number	Qty.
20	User LED PCA (with cable)	C4785-60515	1
21	Adjustable fixed caster	C4785-60511	2
22	Attachment assembly (rod, bracket, cables)	C4785-60516	1
23	Blind cover	C4785-60503	1
24	Face-down bin	C4785-60502	1
25	Face-up bin	C3764-60505	1
26	Cover, front	C4785-60504	1
27	Exchange multi-bin mailbox assembly Note: You must have a 2,000-sheet input unit in order to install a multi-bin mailbox.	C4785-69500	1
28	Multi-bin mailbox assembly (product number C4785A) Note: You must have a 2,000-sheet input unit in order to install a multi-bin mailbox.	C4785-60500	1
29	Multi-bin mailbox controller (with metal box)	C4785-60508	1
30	Caster, fixed	C4785-60510	2
31	Cover, top	C3764-60555	1
Kit 1	Plastic parts 1G Spacer plastic	C4785-60519	1
Kit 3	Hardware 3A Screw, Torx 3B Screw, Torx, T20, M4 x 10 3D Screw, Torx, T20, M4 x 12	C4785-60521	1

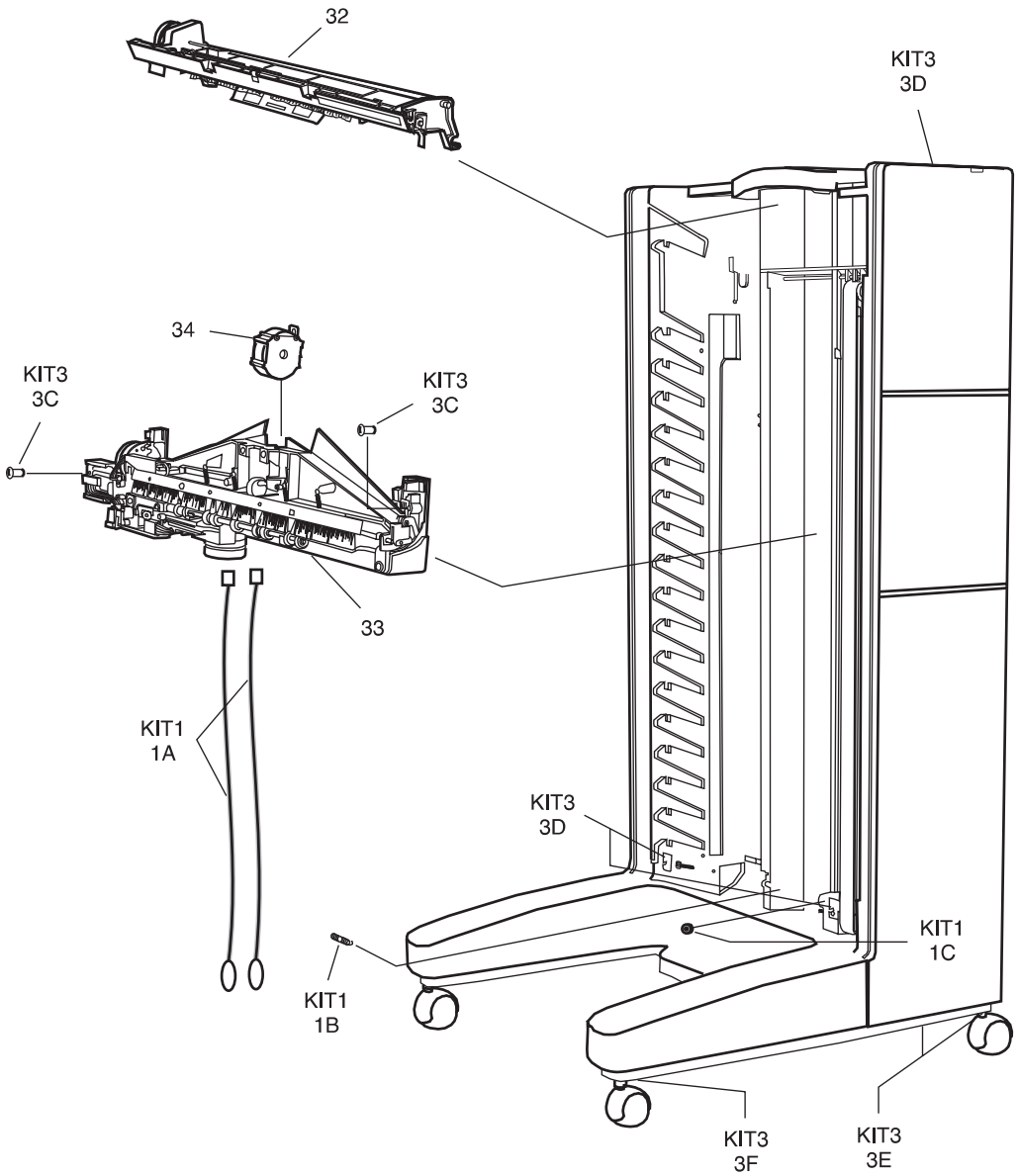


Figure 245. Multi-bin mailbox components (2 of 3)

Table 79. Multi-bin mailbox component parts (2 of 3)

Ref.	Description	Part number	Qty.
32	Flipper assembly (with cable "request")	C4785-60509	1
33	Head assembly (with metallic tape)	C4785-60506	1
34	Metallic tape and housing assembly	C4785-60507	1
Kit 1	Plastic parts 1A Anti-curl string 1B Spring for anti-curl string 1C Pulley, small bottom	C4785-60519	1
Kit 3	Hardware 3C Screw, Torx, Tapping T20, M4 x 10 3D Screw, Torx, T20, M4 x 12 3E Screw, Torx, Tapping T10 3F Screw, Caster	C4785-60521	1

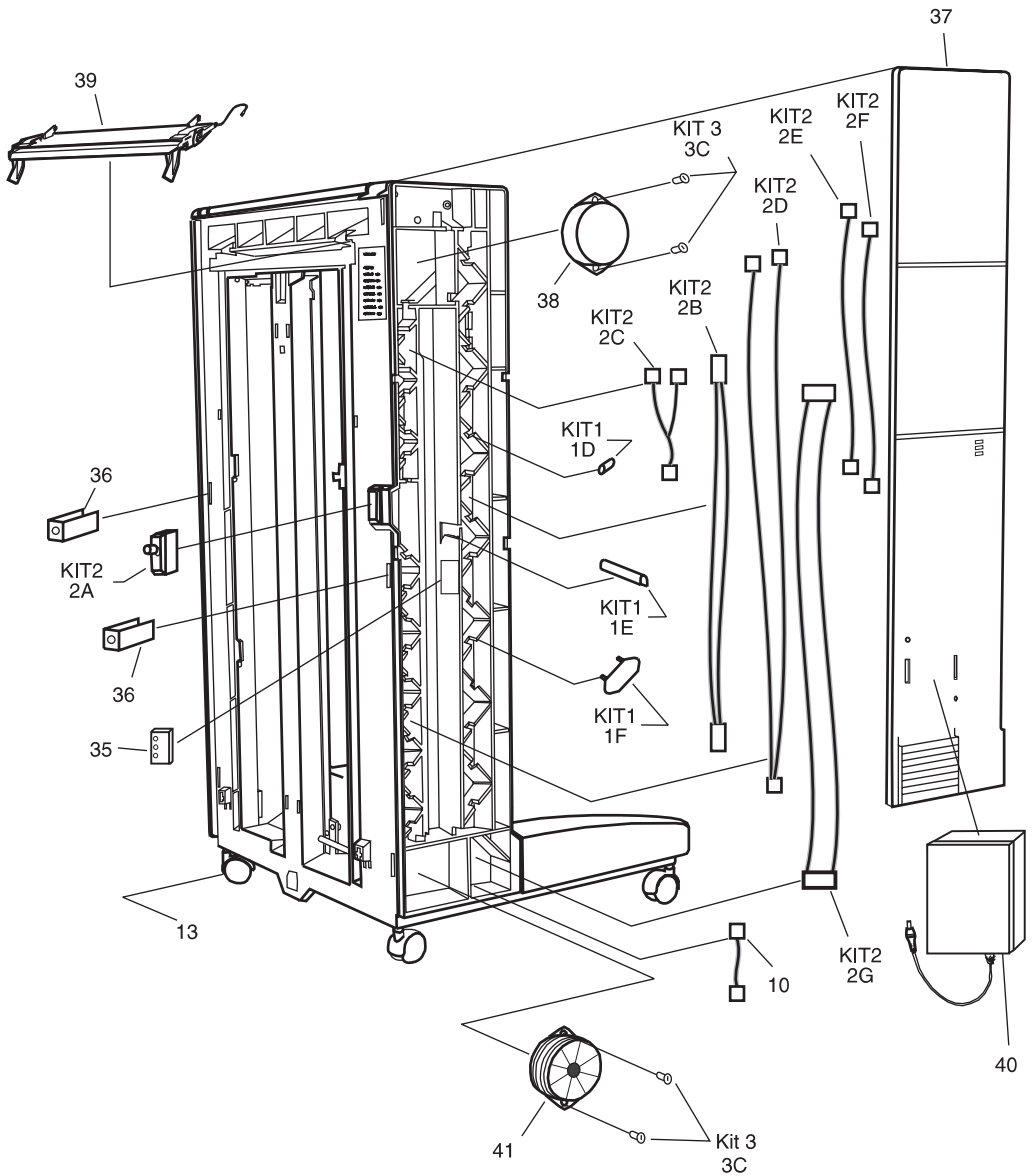


Figure 246. Multi-bin mailbox components (3 of 3)

Table 80. Multi-bin mailbox component parts (3 of 3)

Ref.	Description	Part number	Qty.
35	Diagnostic LED PCA (with cable)	C4785-60514	1
36	Attachment clip	C4785-60512	2
37	Back cover	C4785-60505	1
38	Delivery head position motor	C3764-60507	1
39	Input paper guide (nosepiece)	C3764-60561	1
40	Power supply	C4785-60501	1
41	Transport belt motor (with fan)	C4785-60518	1
Kit 1	Plastic parts 1D Cable holder round gasket 1E Flat cable holder edge 1F Flat cable holder	C4785-60519	1
Kit 2	Cables 2A Switch, interlock 2B Delivery head motor cable 2C Flipper sensor controller cable 2D Flipper encoder controller 2E Flipper motor controller 2F ESD cable 2G Delivery head assembly, flat cable	C4785-60520	1
Kit 3	Hardware 3C Screw, Torx, Tapping T20, M4 x 10	C4785-60521	1