



Carriage Drive Parts

Belt

1 C7769-60182 Carriage belt (24-inch)

Bracket/Guide

C7769-60170 Left cutter guide bracket and left encoder holder kit

Cable Kit

3 C7769-60305 Carriage assembly trailing cable kit - Includes installation instructions, trailing cables, two mounting clips, and a ferrite - Cables are 1.4m (4.7ft) long with 30 pin (M) edge connectors - For 24-inch models

Carriage

4 C7769-60272 Printhead carriage assembly - Includes carriage, bushings, pen latches, carriage position sensor, and line sensor

Motor

5 C7769-60146 Carriage (scan-axis) motor assembly - Includes cable

Strip

6 C7769-60183 Encoder strip (24-inch)

Tensioner

7 C7769-60176 Belt tensioner kit - Keeps carriage belt tight - Includes pulley and pulley mount bracket

Cutter Assembly Parts

Bracket/Guide

C7769-60170 Left cutter guide bracket and left encoder holder kit

Bushing

9 C7769-60169 Cutter bushing

Cutter

10 C7769-60163 Cutter assembly

Guide

11 C7769-60179 Cutter guide - Long rail installed near the pinch wheels

Electronic Accessories

Cable (Interface)

8120-8485 Universal Serial Bus (USB) interface cable - Type 'A' connector to type 'B' connector, 1.8m (6.0 ft) long

C2392A Universal serial bus (USB) interface cable - Type 'A' connector to type 'B' connector - 5.0m (16ft) long

Interface (Product)

14 J3110A Ethernet 10Base-T (RJ-45) EIO network internal print server PC board

15 J3111A Ethernet 10Base-T/10Base2 and LocalTalk (RJ-45, BNC, LocalTalk) EIO network PCA

16 J3112A JetDirect 600N token ring LAN interface board - DB-9 and RJ-45 connectors
NO LONGER SUPPLIED

17 J3113A JetDirect 600N internal print server (10Base-T and 100Base-TX) LAN interface board - Plugs into peripheral EIO slot

18 J4167A JetDirect 610N token ring LAN interface board - DB-9 and RJ-45 connectors

19 J4169A JetDirect 610N internal print server (10Base-T and 100Base-TX) LAN interface board - Plugs into peripheral EIO slot - Has a RJ-45 connector - Comes with software on CD-ROM and manual

J6057A JetDirect 615N internal print server (10Base-T and 100Base-TX) LAN interface board - Plugs into peripheral EIO slot - Has a RJ-45 connector - Comes with software on CD-ROM and manual

J6057AR JetDirect 615N internal print server (10Base-T and 100Base-TX) LAN interface board - Plugs into peripheral EIO slot - Has a RJ-45 connector - Comes with software on CD-ROM and manual

Memory (Product)

22 C2387A 64MB SO-DIMM memory module

23 C2388A 128MB SO-DIMM memory module



Electronic Accessories

PC Board (Interface)

- 24 J3110-69001 JetDirect 600N EIO internal print server 10Base-T LAN interface board - Has one RJ-45 connector - (J3110A) - NOTE: EIO Interface Boards are NOT Interchangeable with MIO Boards
J6057-69001 *New Part for J3110-69001*
- 25 J3111-69001 JetDirect 600N EIO internal print server 10Base-T, 10BASE-2, and LocalTalk LAN interface board - Has one RJ-45, BNC, and 8-pin DIN connector - (J3111A) - NOTE: EIO interface boards are NOT interchangeable with MIO boards REQUIRES RETURN OF DEFECTIVE PART
J3111-61001 *New Part for J3111-69001*
- 26 J3112-69001 JetDirect 600N EIO internal print server token ring LAN interface board - Has one RJ-45 and DB-9 connector
J4167-69001 *New Part for J3112-69001*
- 27 J3113-69001 JetDirect 600N EIO internal print server 10Base-T and 100Base-T LAN interface board - Has one RJ-45 connector
- 28 J4169-69001 JetDirect 610N internal print server 10Base-T and 100Base-T LAN interface board - Has one RJ-45 connector
J6057-69001 *New Part for J4169-69001*

Electronics/Power Supply

Cable Kit

- 29 C7769-60298 Ribbon cable kit - Includes installation instructions and ribbon cable with ferrite - Cable has 40 pin (F) connectors - 1.6m (5.1ft) long

Control Panel

- 30 C7769-60161 Control panel assembly - Includes ribbon cable and english overlay marked with 'Menu', 'Back', 'Enter', 'Cancel', and 'Form feed and cut'

Fan

- 31 C7769-60150 Vacuum fan assembly - Installed under the main printer chassis

Memory (DIMM)

- 32 C7769-60244 64MB SO-DIMM memory module - Can be Installed ONLY into the Formatter Board
- 33 C7769-60245 128MB SO-DIMM memory module - Can be Installed ONLY into the Formatter Board

Module

- 34 C7779-69144 Electronics module - Contains main logic board, connectors for plug-in cards, connector for parallel interface cable, connector for USB cable, and cooling fan
REQUIRES RETURN OF DEFECTIVE PART
C7779-60144 *New Part for C7779-69144*

PC Board

- 35 C7769-60173 Interconnect PC board - Installed in right-side of printer
- 36 C7769-69300 Formatter PC board - Plugs into EIO card slot
REQUIRES RETURN OF DEFECTIVE PART
C7769-60300 *New Part for C7769-69300*

PC Board (Interface)

- 37 J3113-69001 JetDirect 600N EIO internal print server 10Base-T and 100Base-T LAN interface board - Has one RJ-45 connector

Power Cord

- 8120-0698 Power cord (Black) - 18 AWG, 2.3m (7.5ft) long - Has straight (F) receptacle (For 220V/240V in the USA and Canada)
- 8120-1351 Power cord (Mint Gray) - 17 AWG, 2.3m (7.5ft) long - Has straight (F) receptacle (For 240V in the UK, Hong Kong, Singapore, Malaysia, and Brunei)
- 8120-1369 Power cord (Mint Gray) - 17 AWG, 2.0m (6.6ft) long - Has straight (F) receptacle (For 240V in Australia, New Zealand, and China)
- 8120-1378 Power cord (Jade Gray) - 18 AWG, 2.3m (7.5ft) long - Has straight (F) receptacle (For 120V in USA, Canada, Latin America, Korea, Taiwan, Thailand, Spain, Brazil, and Vietnam)
- 8120-1689 Power cord (Mint Gray) - 17 AWG, 2.0m (6.6ft) long - Has straight (F) receptacle (For 220V in Europe, Bangladesh, Indonesia, Pakistan, Burma, Sri Lanka, and Vietnam)
- 8120-2104 Power cord (Mint Gray) - 2.0m (6.6ft) long - Has straight (F) receptacle (For 220V in Switzerland)



Electronics/Power Supply

Power Cord

- 8120-2956 Power cord (Mint Gray) - 2.0m (6.6ft) long - Has straight (F) receptacle (For 220V in Denmark)
8120-4211 Power cord (Mint Gray) - 17 AWG, 2.0m (6.6ft) long - Has straight (F) receptacle (For 240V in South Africa and India)

Power Supply

- 46 C7769-60145 Power supply assembly - Includes power switch

Sensor

- 47 C7769-60168 Media sensor - Installed in the front of the rear platen
48 C7769-60172 Drive roller encoder sensor - Installed on left end of paper drive roller
49 C7769-60194 Pincharm sensor - Installed in right front of print chassis

Service Station

- 50 C7769-60149 Service station - Includes wipers, pen caps, and the right hand spittoon - Installed in Right Side of Printer

Optional Interfaces

Power Cord

- 8120-1351 Power cord (Mint Gray) - 17 AWG, 2.3m (7.5ft) long - Has straight (F) receptacle (For 240V in the UK, Hong Kong, Singapore, Malaysia, and Brunei)
8120-1369 Power cord (Mint Gray) - 17 AWG, 2.0m (6.6ft) long - Has straight (F) receptacle (For 240V in Australia, New Zealand, and China)
8120-1378 Power cord (Jade Gray) - 18 AWG, 2.3m (7.5ft) long - Has straight (F) receptacle (For 120V in USA, Canada, Latin America, Korea, Taiwan, Thailand, Spain, Brazil, and Vietnam)
8120-1689 Power cord (Mint Gray) - 17 AWG, 2.0m (6.6ft) long - Has straight (F) receptacle (For 220V in Europe, Bangladesh, Indonesia, Pakistan, Burma, Sri Lanka, and Vietnam)
8120-2104 Power cord (Mint Gray) - 2.0m (6.6ft) long - Has straight (F) receptacle (For 220V in Switzerland)
8120-2956 Power cord (Mint Gray) - 2.0m (6.6ft) long - Has straight (F) receptacle (For 220V in Denmark)

Other Accessories

CD-ROM (Support)

- C7769-90066 DesignJet support CD ROM - Version A.04.01 - Has product information, user's manuals, service manuals, diagnostic software, test drawings, newsletters, and service notes
C7769-90221 DesignJet 500/800 series interactive support CD-ROM

Cartridge

- C4844-60053 No. 10 High Capacity Black Ink Cartridge (Holds 69ml of Ink)
C4844A No. 10 high capacity Black ink cartridge (holds 69ml of ink) - Prints approximately 1400 pages at 5% printing density (USA)
C4844AA No.10 high capacity Black ink cartridge (holds 69ml of ink) - Prints approximately 1400 pages at 5% printing density (for Asia/Pacific)
C4844AE No.10 high capacity Black ink cartridge (holds 69ml of ink) - Prints approximately 1400 pages at 5% printing density (for Europe)
C4844AL No.10 high capacity Black ink cartridge (holds 69ml of ink) - Prints approximately 1400 pages at 5% printing density (for Latin America)
C4911-61002 No.82 standard capacity cyan ink cartridge (69ml)
C4911A No.82 standard capacity cyan ink cartridge (69ml ink)
C4912-61003 No.82 standard capacity magenta ink cartridge (69ml)
C4912A No.82 standard capacity magenta ink cartridge (69ml ink)
C4913-61003 No.82 standard capacity yellow ink cartridge (69ml)
C4913A No.82 standard capacity yellow ink cartridge (69ml)

Lubricant

- 6040-0854 Synthetic Oil (1/2oz Plastic Bottle - for lubricating the front and rear slider rods)



Other Accessories

Printhead

C4810-60066	No. 11 Black Ink Printhead
C4810A	No. 11 Black ink printhead
C4810-60067	No.11 cyan ink printhead
C4811A	No. 11 Cyan ink printhead
C4812-60005	No.11 magenta ink printhead
C4812A	No. 11 Magenta ink printhead
C4813-60004	No.11 yellow ink printhead
C4813A	No. 11 Yellow ink printhead

Return Kit

5183-5269	Return kit with box and instructions - For returning defective TIJ 3.0 printheads covered under the CREW program
-----------	--

Other External Parts

Cover

80	C7779-60154	Top cover assembly (Black)
81	C7779-60158	Left end cover and EIO cover (Black)
82	C7779-60159	Right end cover (Black)

Deflector Kit

83	C7769-60283	Media deflector kit - Kit includes 3 deflectors
----	-------------	---

Overlay

84	C7769-60111	Front panel overlay (English)
85	C7769-60112	Front panel overlay (Korean)
86	C7769-60113	Front panel overlay (Taiwanese)
87	C7769-60114	Front panel overlay (German)
88	C7769-60115	Front panel overlay (French)
89	C7769-60116	Front panel overlay (Spanish)
90	C7769-60117	Front panel overlay (Italian)
91	C7769-60118	Front panel overlay (Japanese)
92	C7769-60119	Front panel overlay (Portuguese)
93	C7769-60120	Front panel overlay (Chinese)

Platen

94	C7769-60155	Back Platen Assembly - Curved cover/guide that is installed below the paper drive roller (24-inch)
95	C7769-60174	Front Platen Kit - Includes platens for both the 24 inch and the 42 inch models

Trim Kit

96	C7769-60160	Trim kit - Installed between the main printer chassis and the left or right end covers (4 items in kit)
----	-------------	---

Other Internal Parts

Bracket

97	C7769-60156	Service Station Bracket - Installed on right-side of service station
----	-------------	--

Cover

98	C7769-60171	Cover kit for drive roller encoder sensor
----	-------------	---

Ink Supply Station

99	C7769-60148	Ink Supply Station (ISS) - Includes ink pump motor, pump sensor, and out-of-ink sensors
----	-------------	---

Ink Tubes Assembly

100	C7769-60256	Ink tubes assembly - Includes 4 ink tubes complete with hardware assemblies at both ends (Carriage crane and ink supply station crane), and 4 setup pens
-----	-------------	--



Other Internal Parts

Printhead

101 C7769-60164 Setup Printhead kit - Used to prime the ink tubes - Includes 4 setup printheads

Service Station

102 C7769-60149 Service station - Includes wipers, pen caps, and the right hand spittoon - Installed in Right Side of Printer

Spittoon

103 C7769-60165 Left spittoon assembly - Contains absorbers which hold excess ink from printheads

Paper Drive Parts

Gear Assembly

126 C7769-60177 Paper drive transmission gear kit - Includes 2 gears used to drive the paper drive roller

Lifter

127 C7769-60181 Pincharm lift mechanism - Includes cam (a long bar) , cam bushings, pincharm lever, pincharm lever bushing

Motor

128 C7769-60152 Paper axis motor assembly - Includes cables

Pincharm

129 C7769-60175 Pincharm assembly with wheels

Roller

130 C7769-60276 Paper drive roller kit - Includes roller assembly, bushings, gear on roller, transmission gear kit, encoder disc, end thrust (Axial) spring, lint free cloth, rubber glove, and instruction sheets - For 24-inch model

Paper and Other Media

Canvas

C7966A Canvas with Matte finish - 61cm (24in) x 10.7m (35ft) (USA)

Film (Clear)

C3876A Clear film (4 mil) - 61cm (24in) x 22.9m (75ft) roll

Film (Matte)

51642A Polyester matte film - 61cm (24in) x 36.6m (120ft) roll

Paper

C7923A Basic Heavyweight Paper - 61cm (24in) x 30.5m (100ft) (USA and Asia/Pacific)

C7929A Super Heavyweight Paper - 61cm (24in) x 22.9m (75ft) (USA and Asia/Pacific)

Paper (Banner)

C6786A Banner paper with Tyvek (140 gsm) - UV ink only - 61cm (24in) x 15.2m (50ft) roll
NO LONGER SUPPLIED

Paper (Bright White)

C1860A Bright white InkJet paper - 61cm (24in) x 45.7m (150ft) roll

Paper (Coated)

C8281A Basic Coated Paper - 61cm (24in) x 45.7m (150ft) (USA and Asia/Pacific)

C6019B Coated paper (98 gsm) - 61cm (24in) x 45.7m (150ft) roll (USA, Canada, and Latin America)

C6021B Heavyweight coated paper - 61cm (24in) x 30.5m (100ft) roll (USA, Canada, and Latin America)
NO LONGER SUPPLIED

C6029C Heavyweight coated paper - 61cm (24in) x 30.5m (100ft) roll - For regular or UV resistant ink

Paper (Glossy)

C8315A High Gloss Photo Paper - 61cm (24in) x 30.5m (100ft) (USA and Asia/Pacific)

C3882A High gloss photo paper - 61cm (24in) x 30.5m (100ft) roll

C6025A High gloss photo paper - 61cm (24in) x 30.5m (100ft) roll (USA, Canada, and Latin America)



Paper and Other Media

Paper (Photo)

- C6813A High gloss photo paper - 61cm (24in) x 30.5m (100ft) roll
- C8310A Basic Photo Satin paper - 61cm (24in) x 30.5m (100ft) (USA and Asia/Pacific)

Paper (Semi-Glossy)

- C3884A Semi-gloss photo paper - 61cm (24in) x 30.5m (100ft) roll
NO LONGER SUPPLIED
- C6023A Semi-gloss photo paper - 61cm (24in) x 30.5m (100ft) roll (USA, Canada, and Latin America)
- C6782A Paper based semi-gloss media - 61cm (24in) x 30.5m (100ft) roll
NO LONGER SUPPLIED

Paper (Tracing)

- C3869A Natural tracing paper - 61cm (24in) x 45.7m (150ft) roll

Paper (Translucent)

- C3860A Translucent bond paper - 61cm (24in) x 45.7m (150ft) roll

Vellum

- C3862A Vellum - 61cm (24in) x 45.7m (150ft) roll

Roll Feed Assembly Parts

Mount Kit

- 131 C7769-60162 Rollfeed mount kit - Includes left and right housing

Spindle Kit

- 132 C2389A 24-inch rollfeed spindle rod assembly for DesignJet 500/800 series - Includes spindle, hubs, and end caps
- 133 C7769-60242 24-inch rollfeed spindle rod assembly - Includes spindle, hubs, and end caps

Stand Parts

Bin

- 134 C7781-60007 Media bin (Graphite gray) - Plastic tray that mounts to the printer stand legs

Brace

- 135 C7769-60219 Foot brace

Cross-Brace

- 136 C7781-60004 Cross-brace - Main structure that extends between stand legs

Foot

- 137 C7770-60022 Foot assembly (includes casters)

Hardware Kit

- 138 C7770-60018 Hardware kit for printer stand - Includes screwdriver and screws

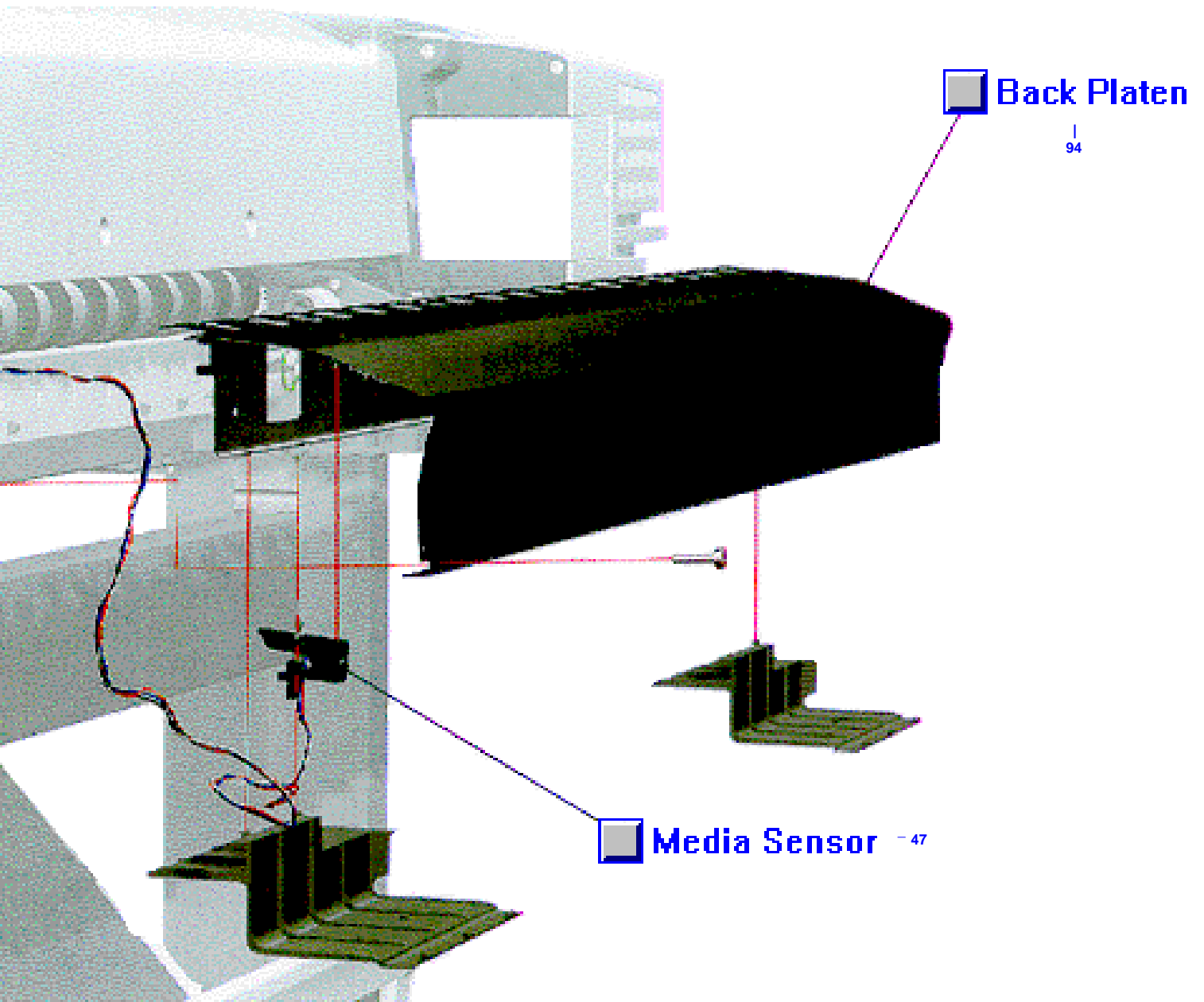
Leg

- 139 C7770-60021 Leg assembly - Side support for the printer - Does NOT include the foot assembly

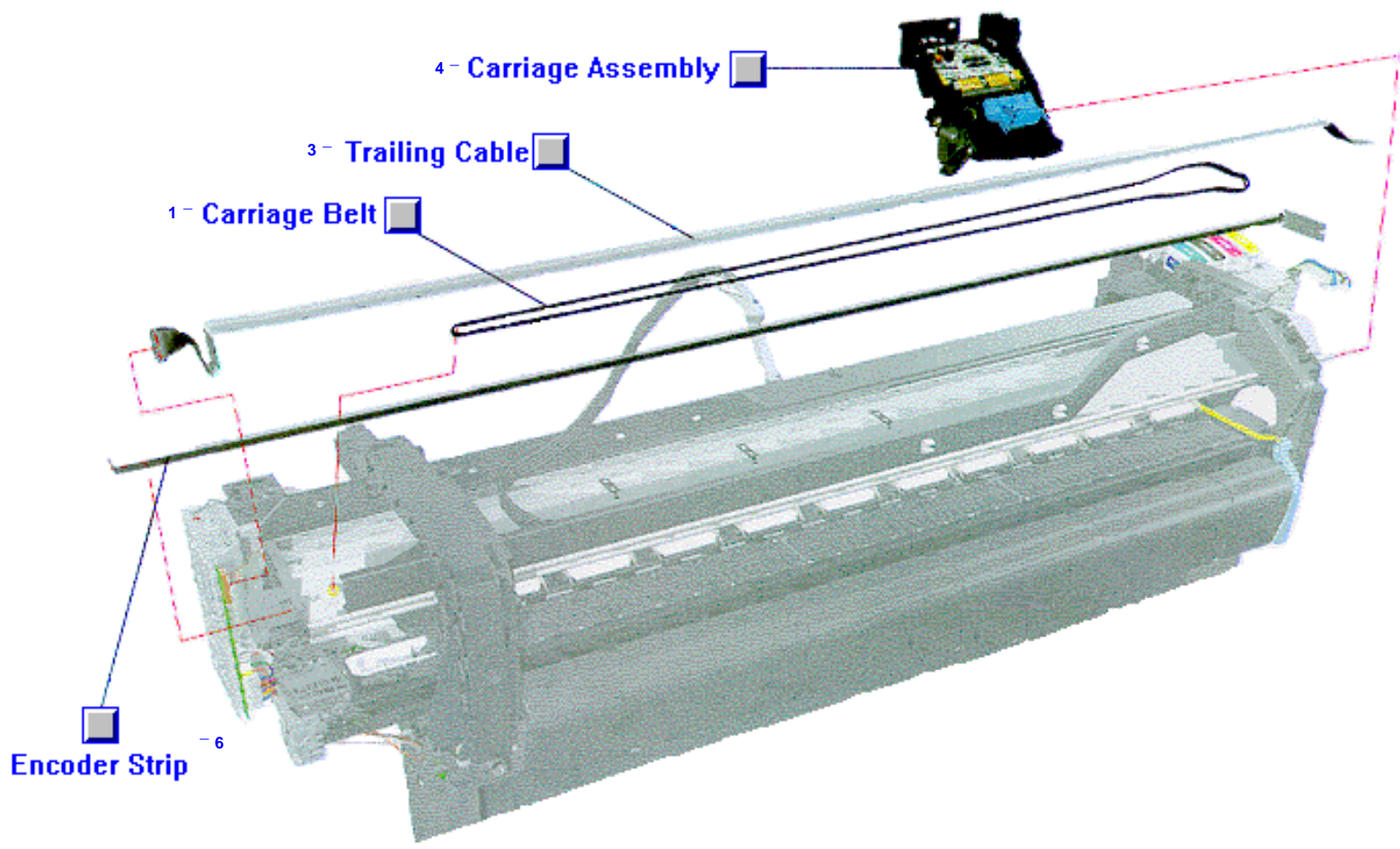
Stand

- 140 C7781A 24-inch printer stand and media bin kit for 800 series - Graphite Gray

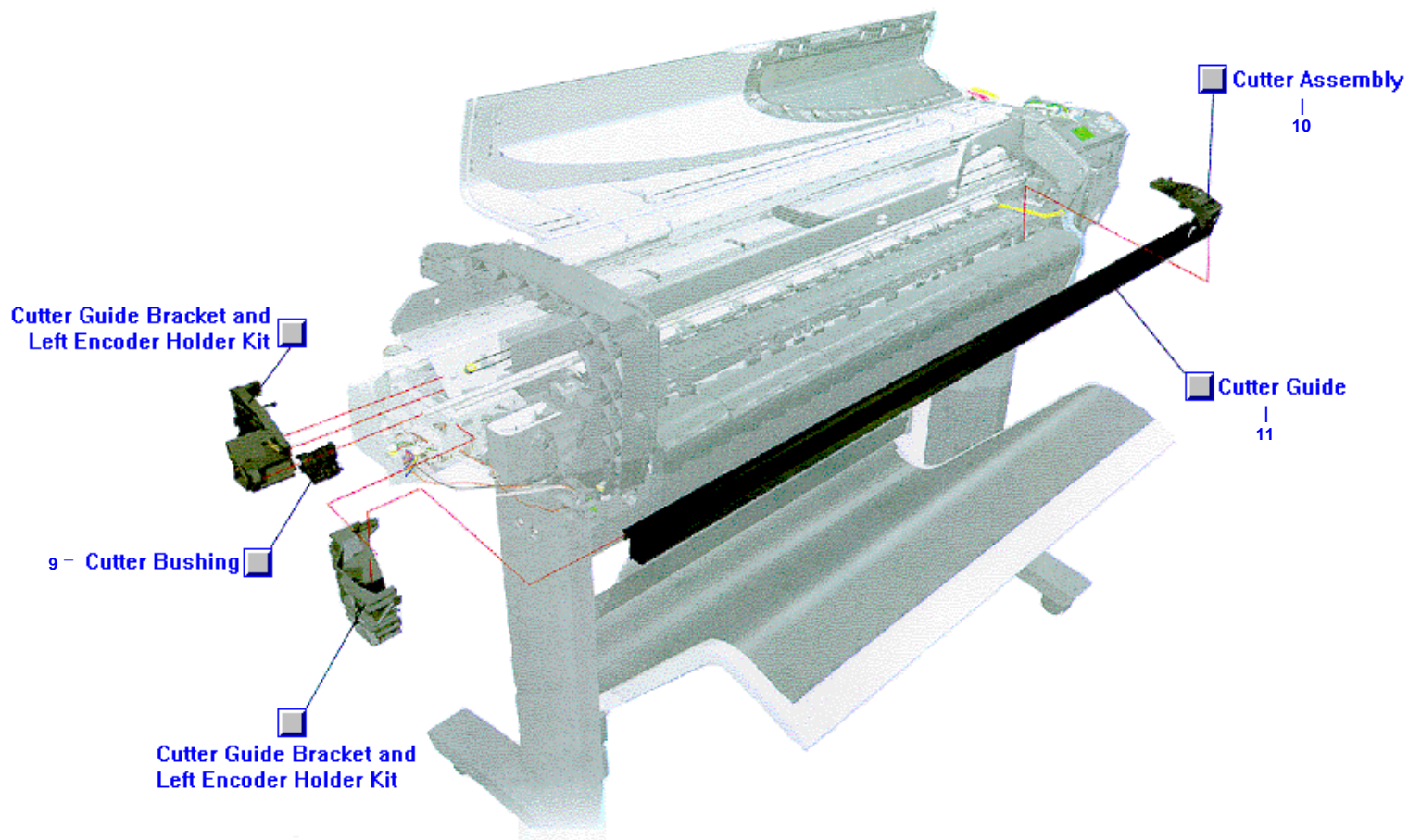
Back Platen and Media Sensor



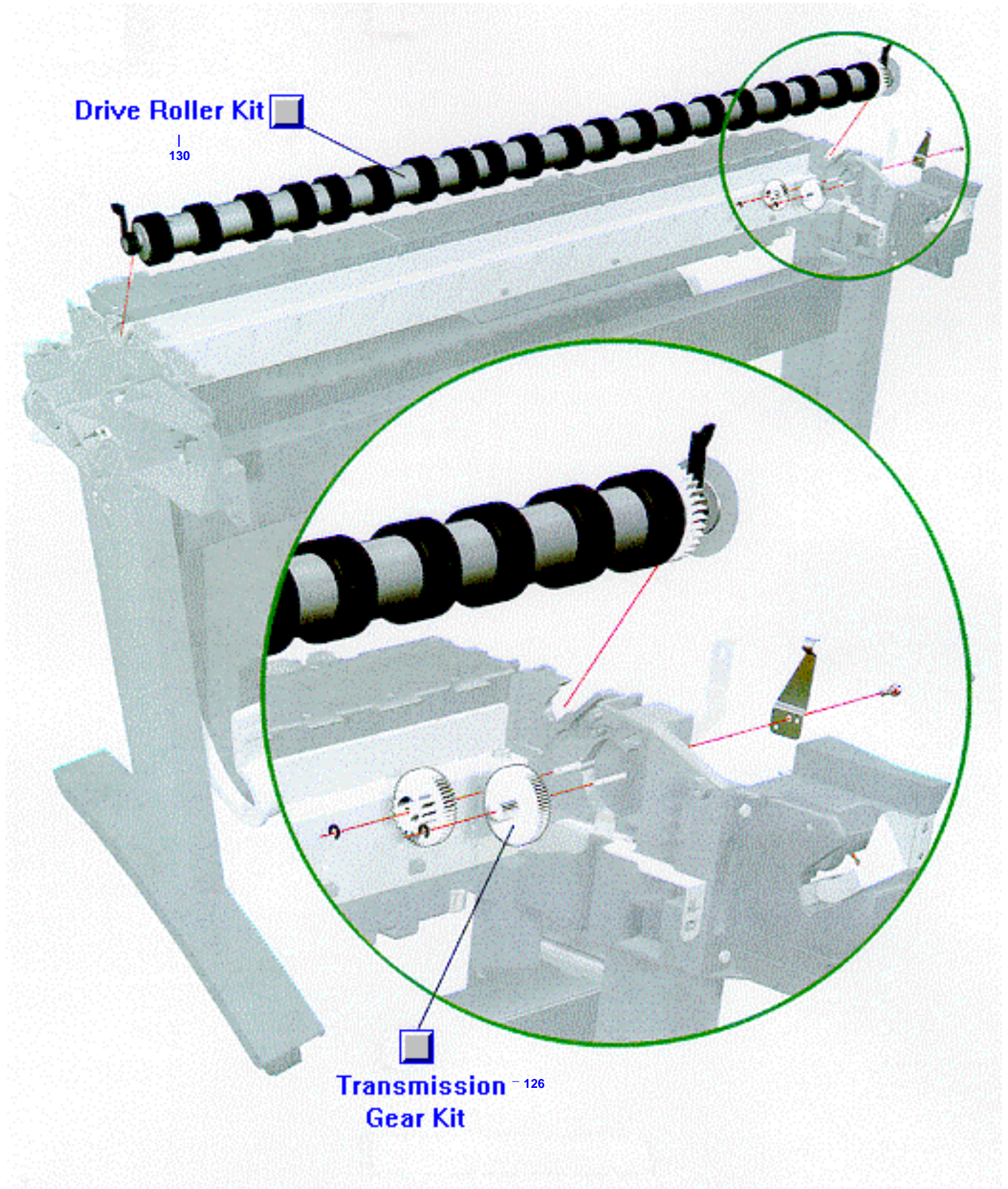
Carriage, Trailing Cable, Belt, Encoder Strip



Cutter



Drive Roller and Transmission Gears



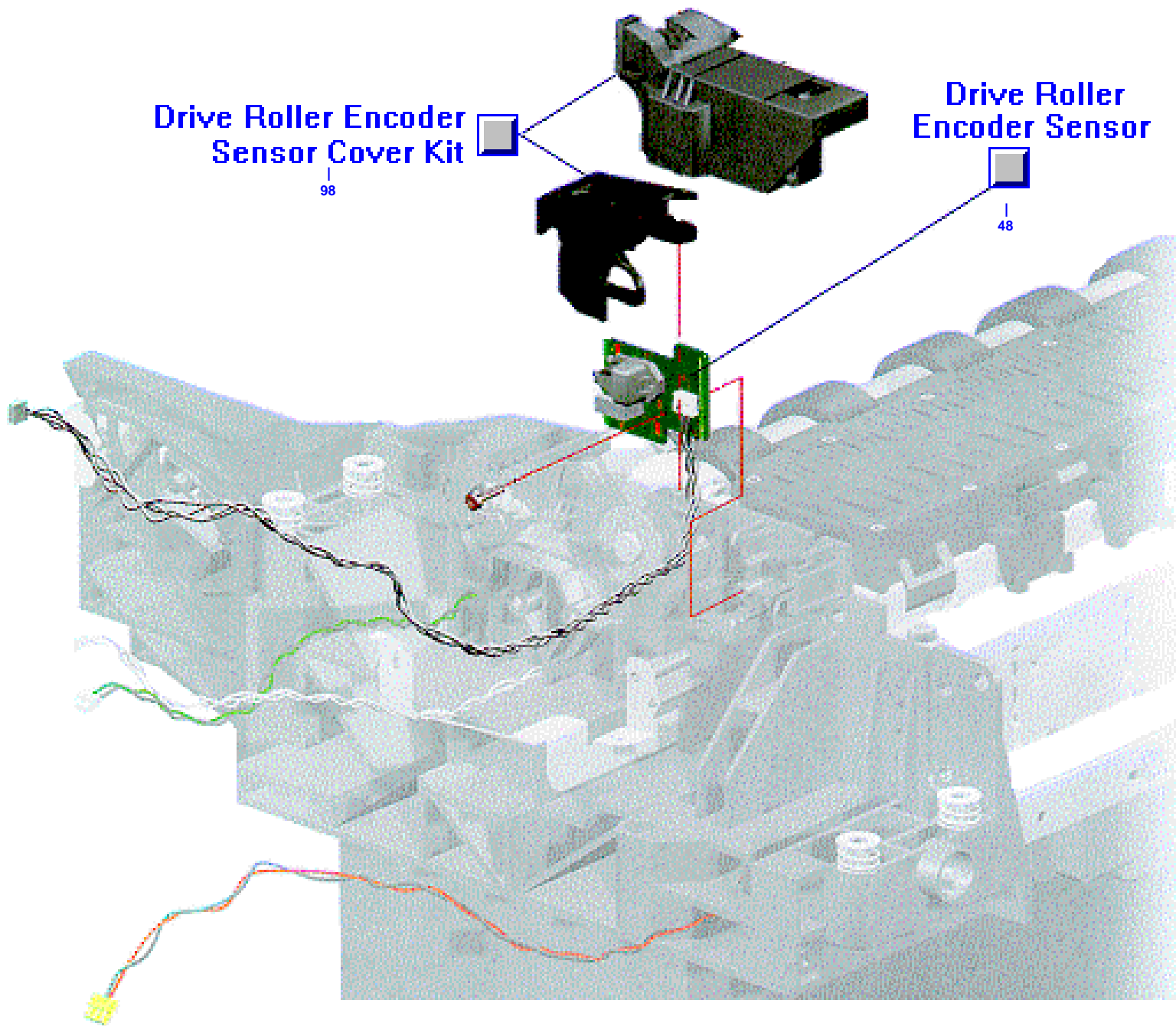
Drive Roller Encoder Sensor

Drive Roller Encoder
Sensor Cover Kit

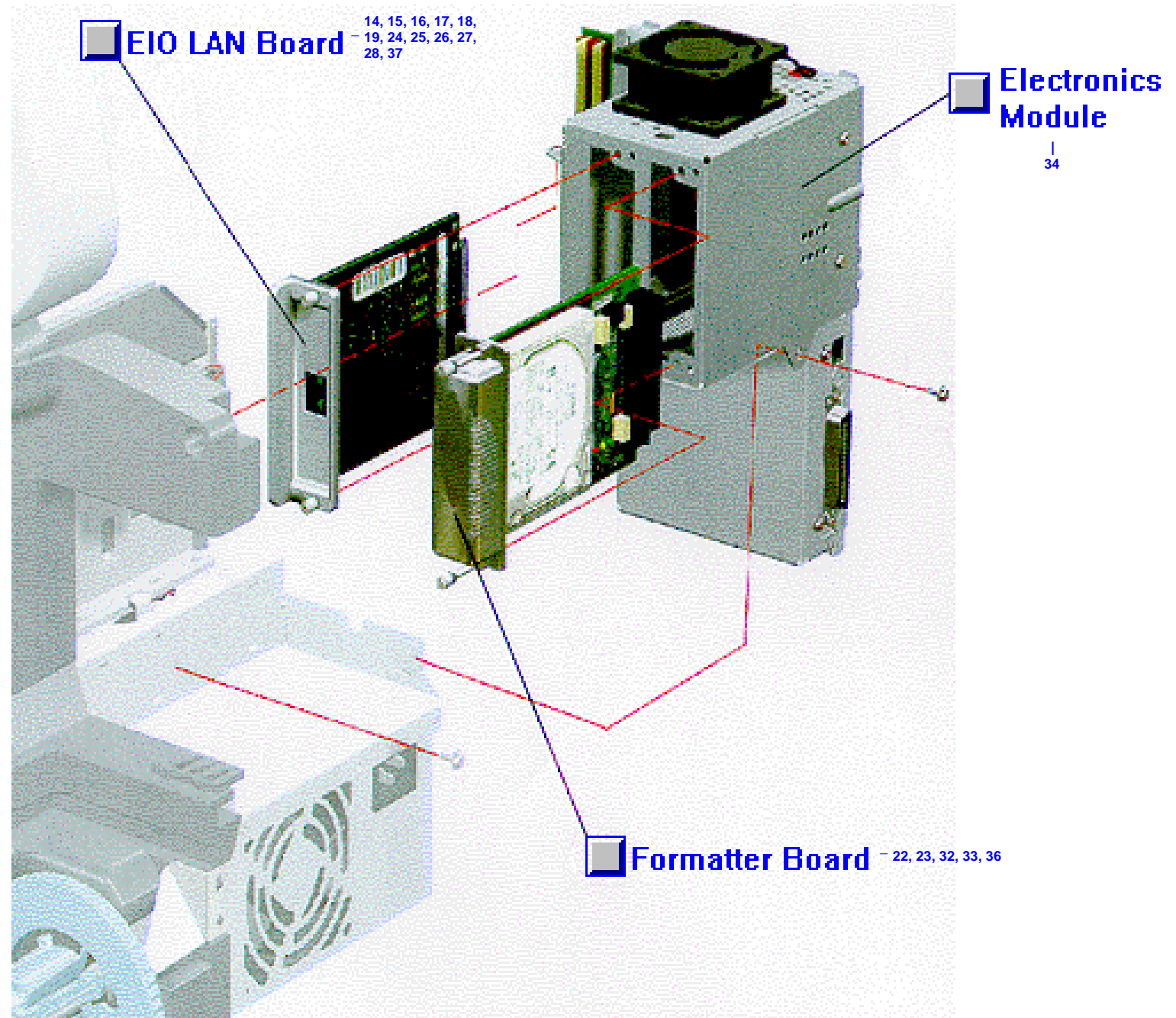
98

Drive Roller
Encoder Sensor

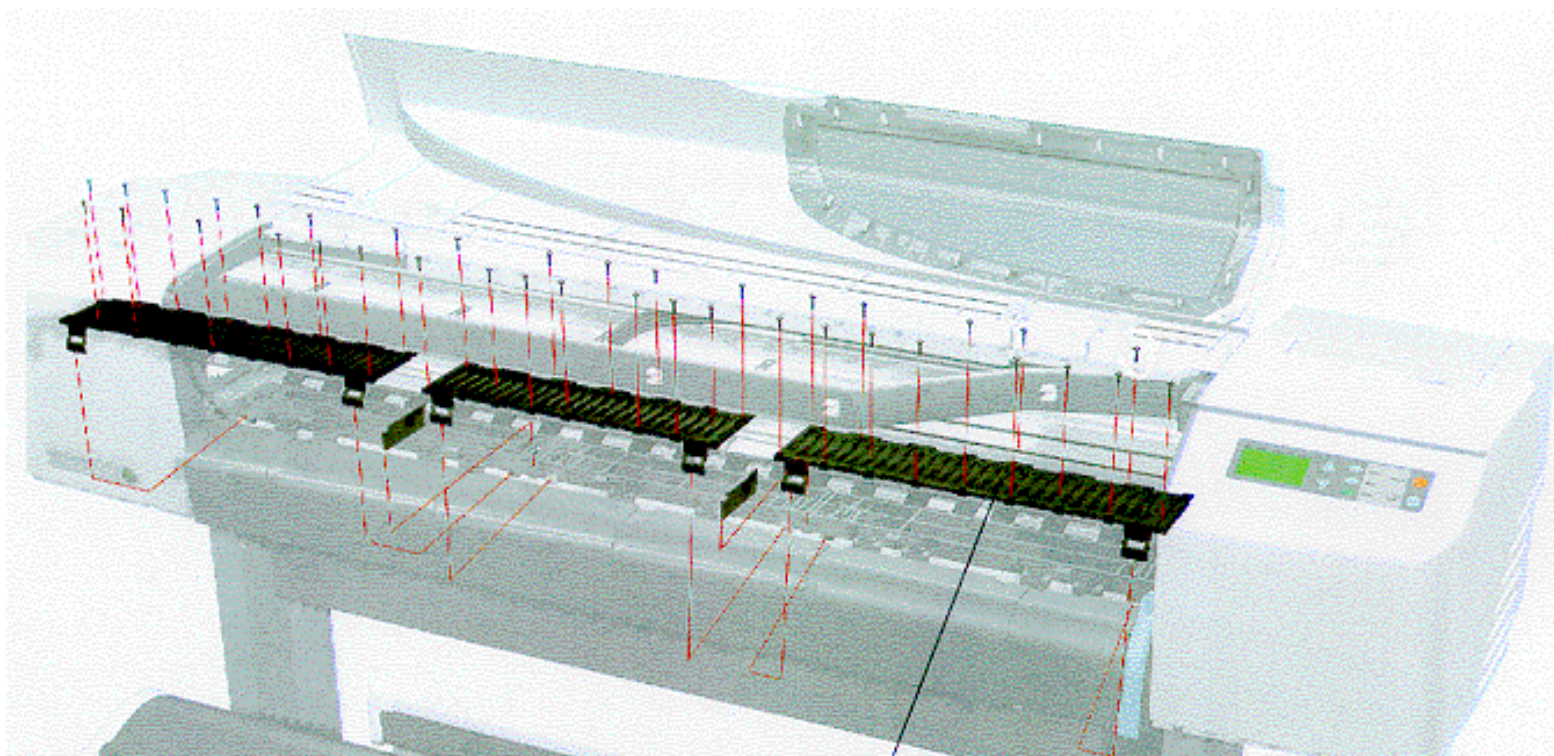
48



Electronics Module and Plugin Cards

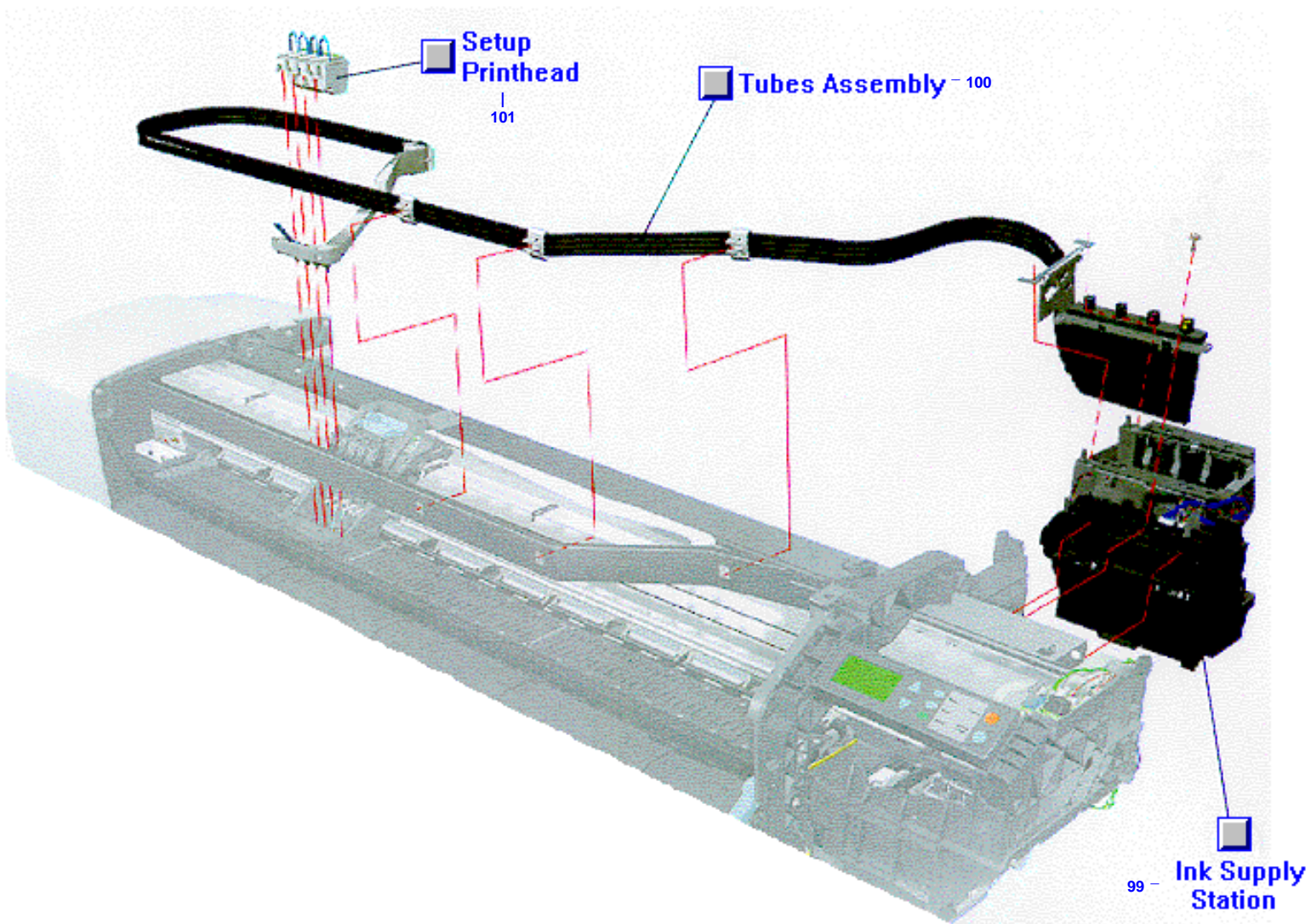


Front Platen

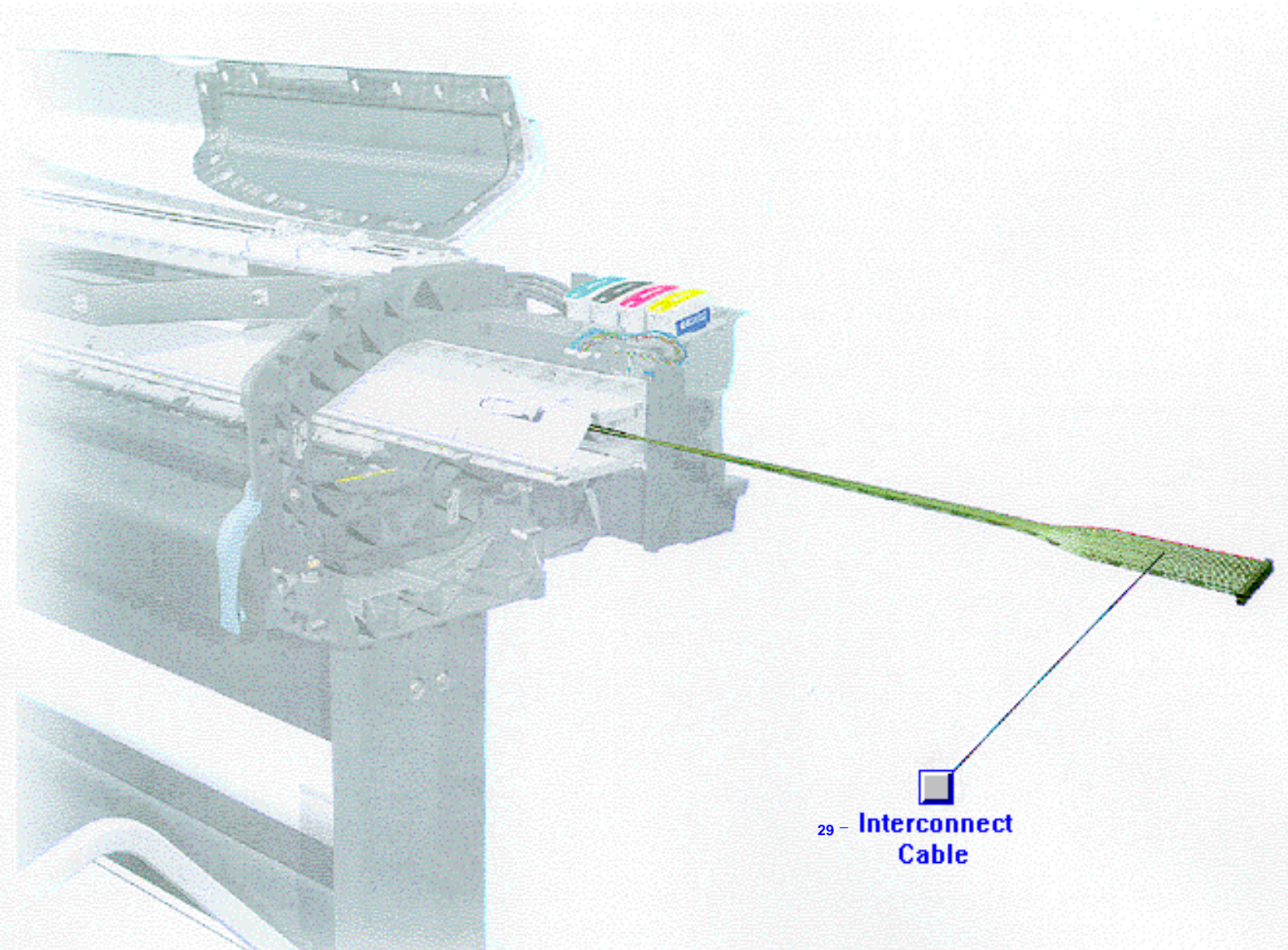


 **Front (Print)
Platen Kit** - 95

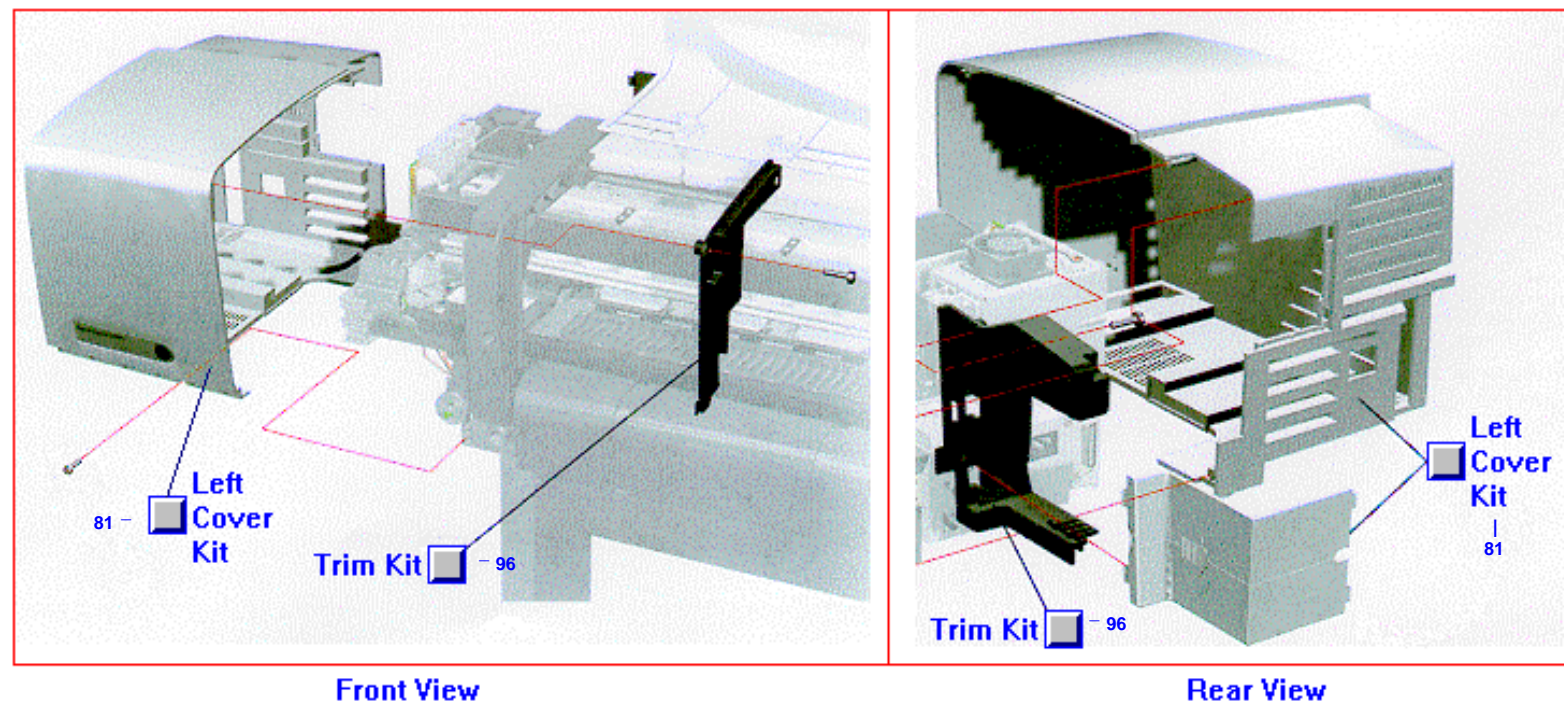
Ink Tubes and Ink Supply Station



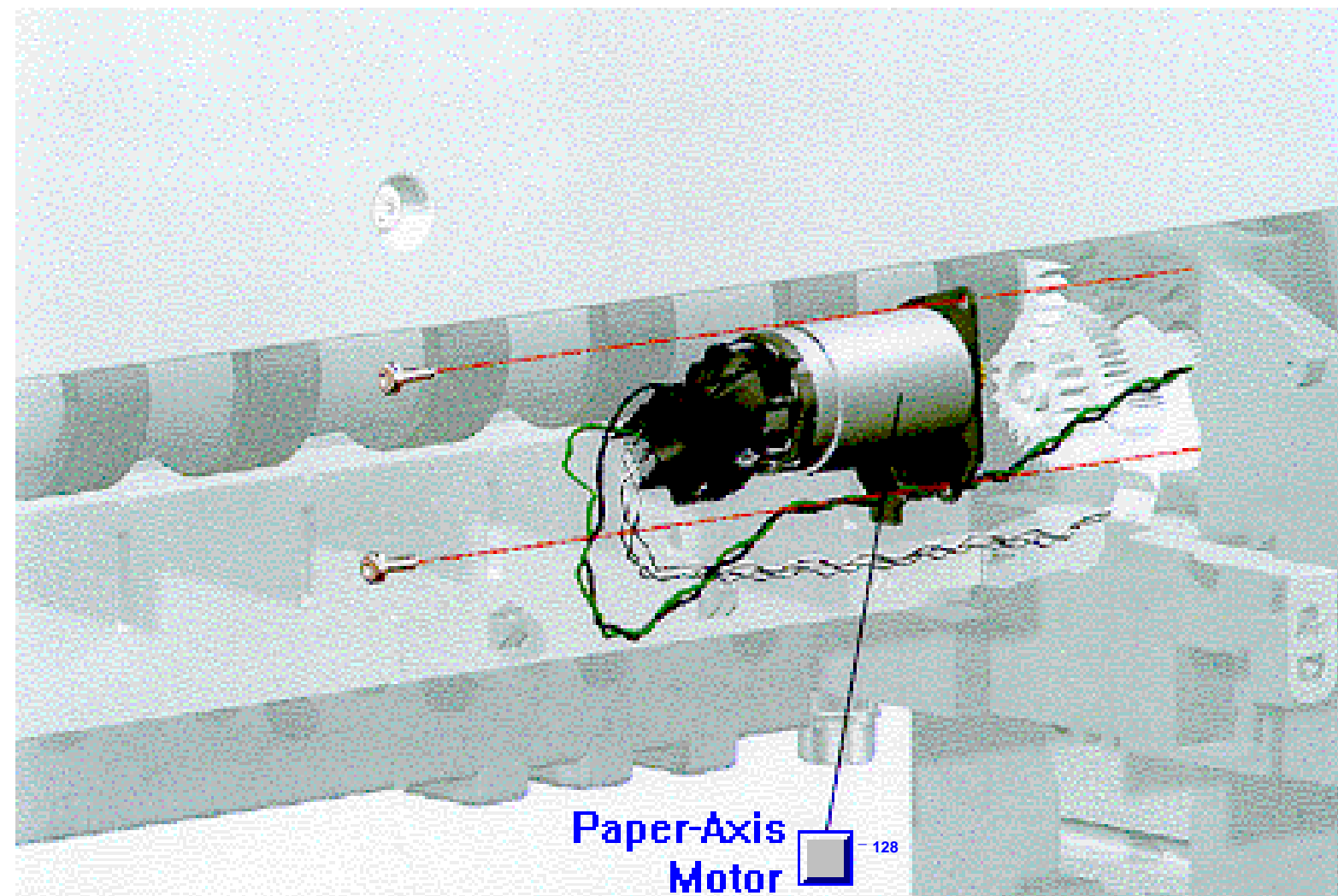
Interconnect Cable



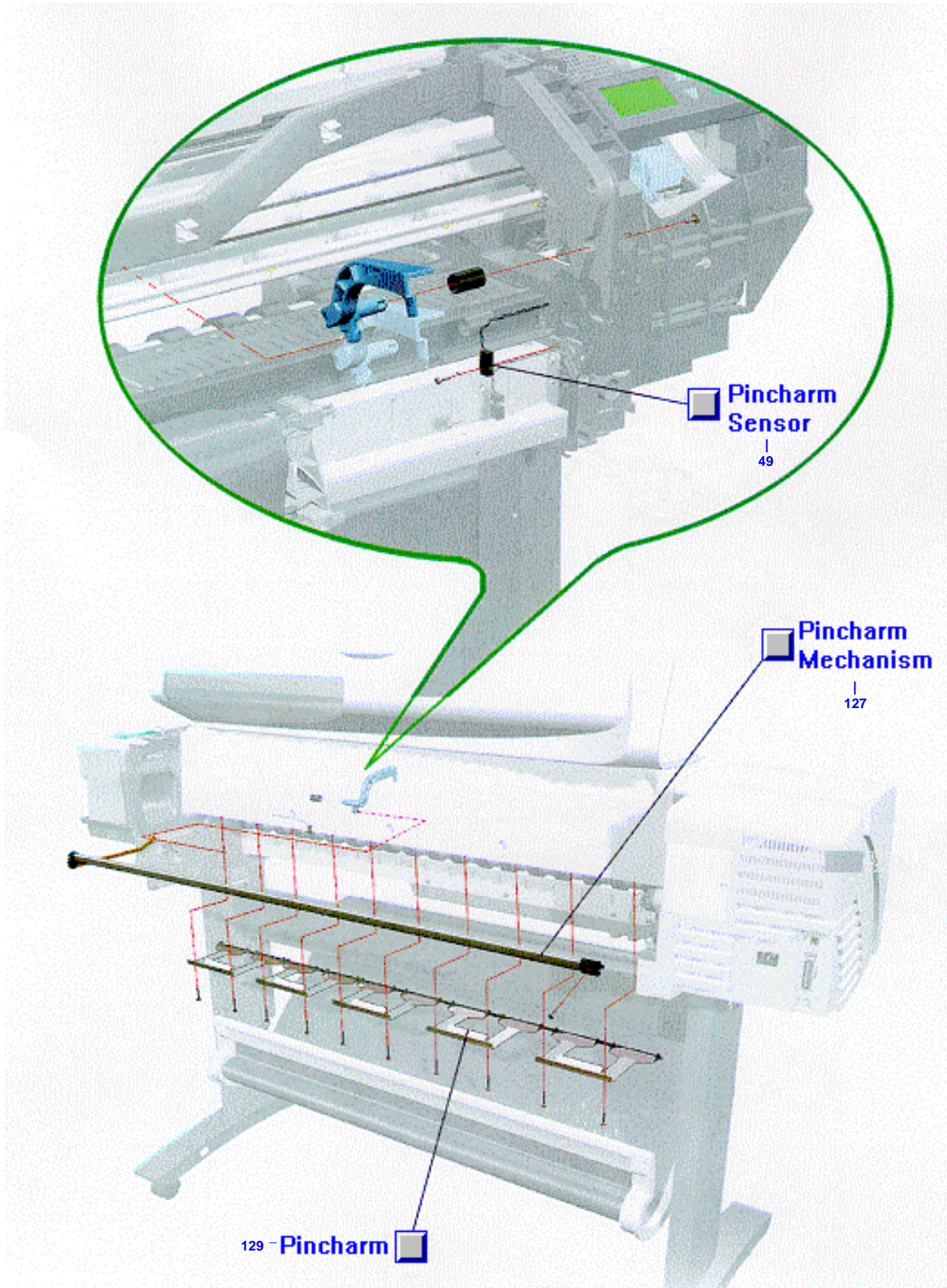
Left Cover



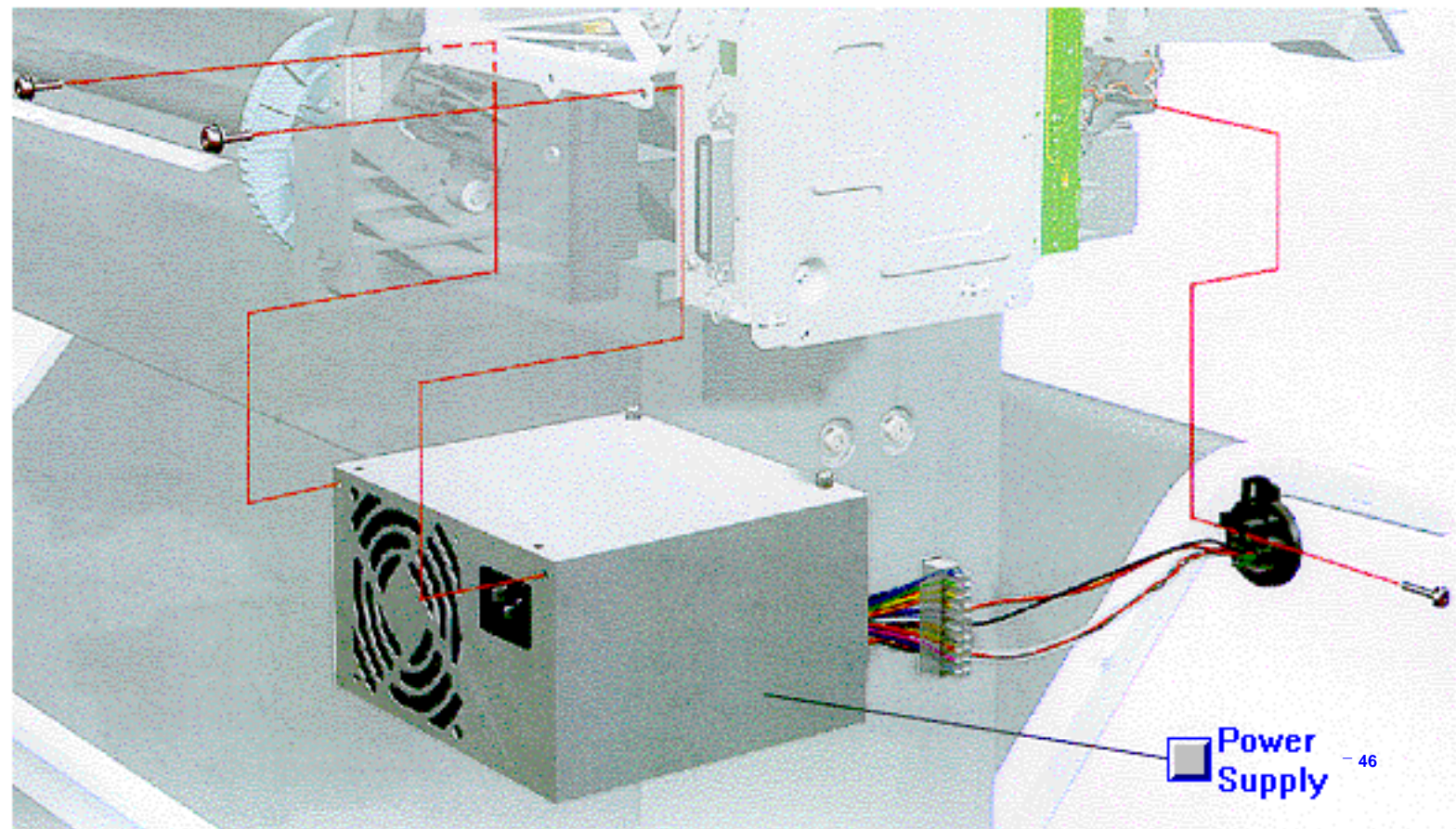
Paper-Axis Motor



Pinchwheels and Pincharms



Power Supply and Power Switch



Printer Stand

 **Stand Kit** - 140

 **Hardware Kit** - 138

 **Cross-Brace** - 136

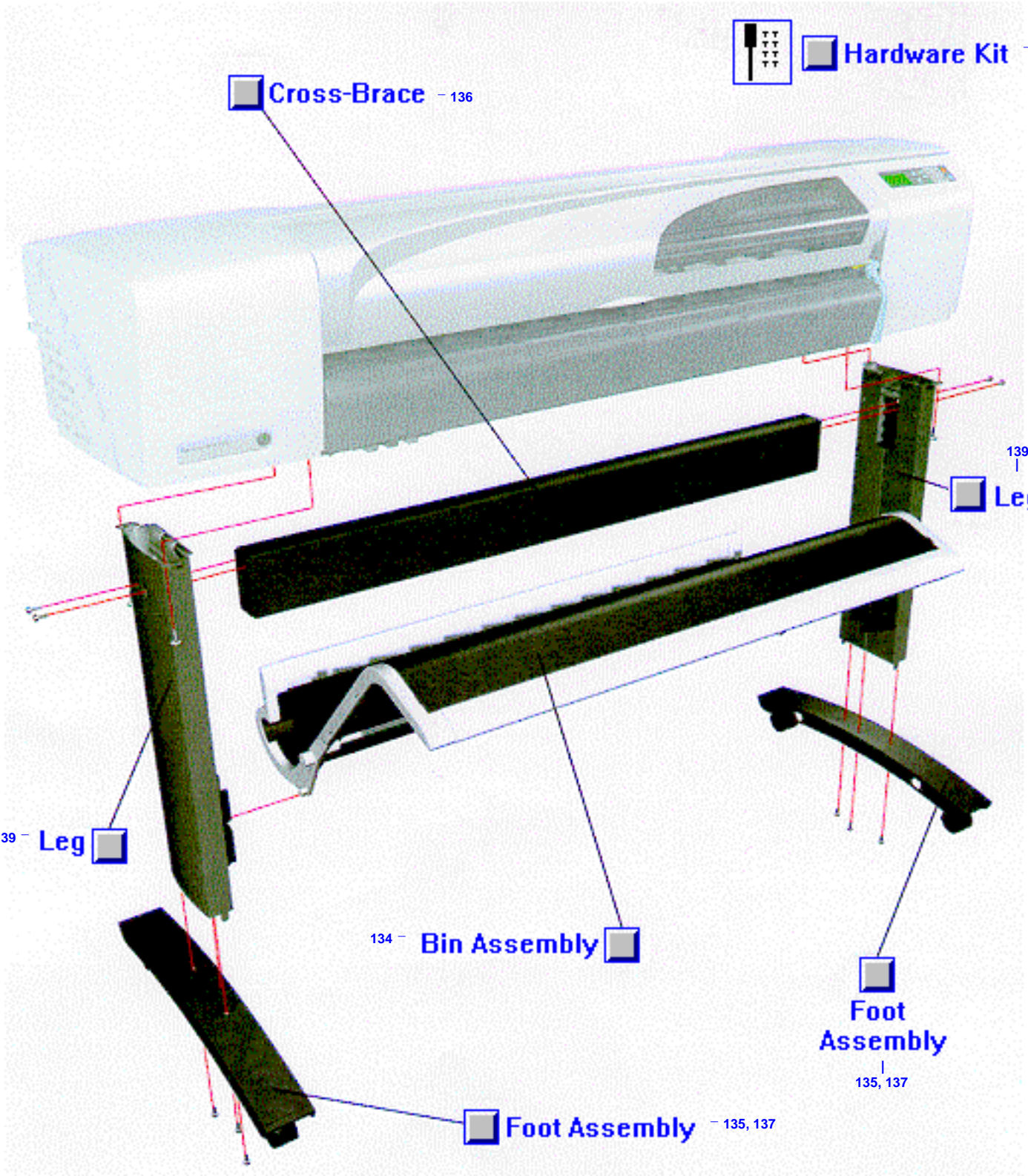
 **Leg** - 139

 **Leg** - 139

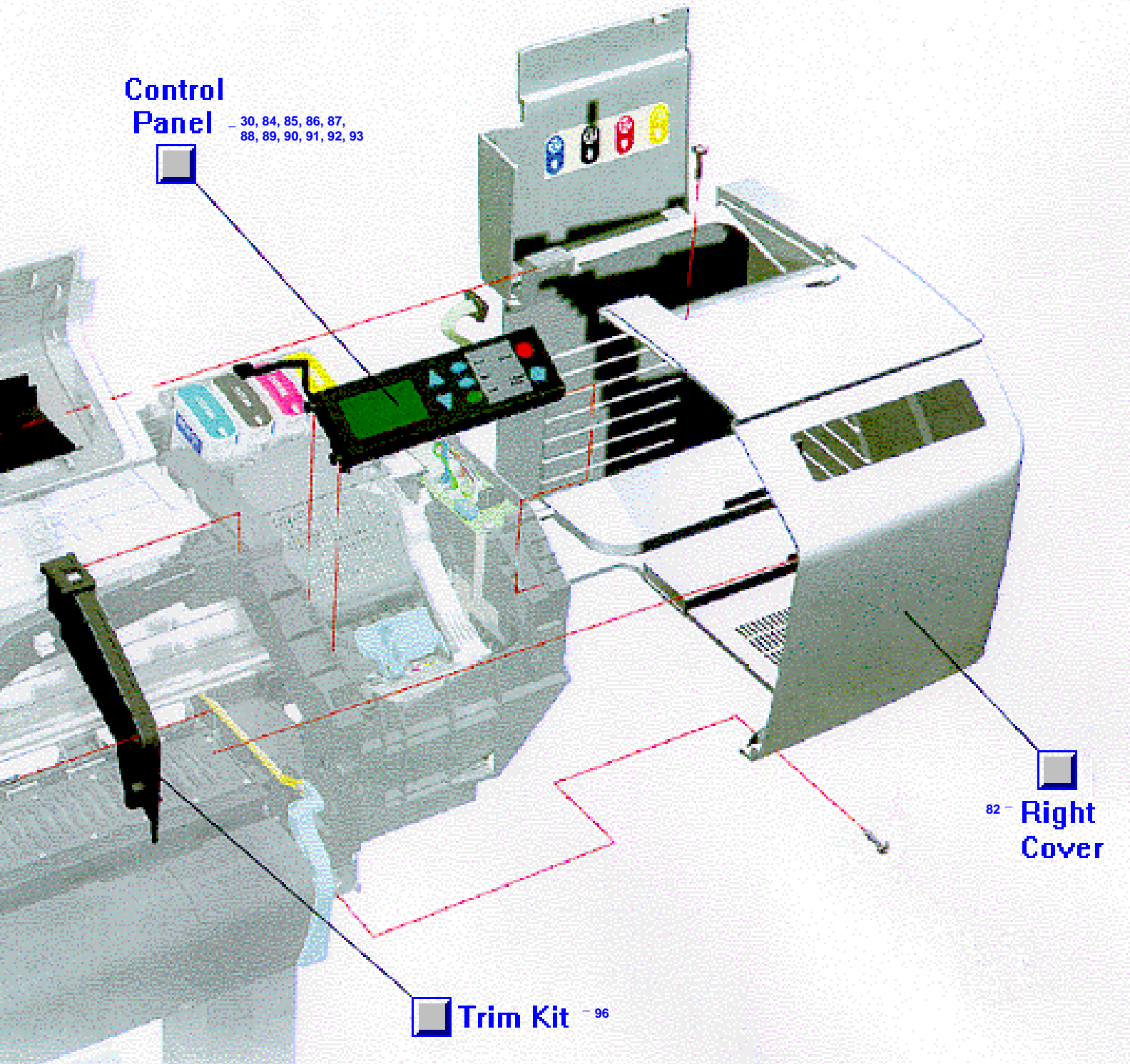
 **Bin Assembly** - 134

 **Foot Assembly**
- 135, 137

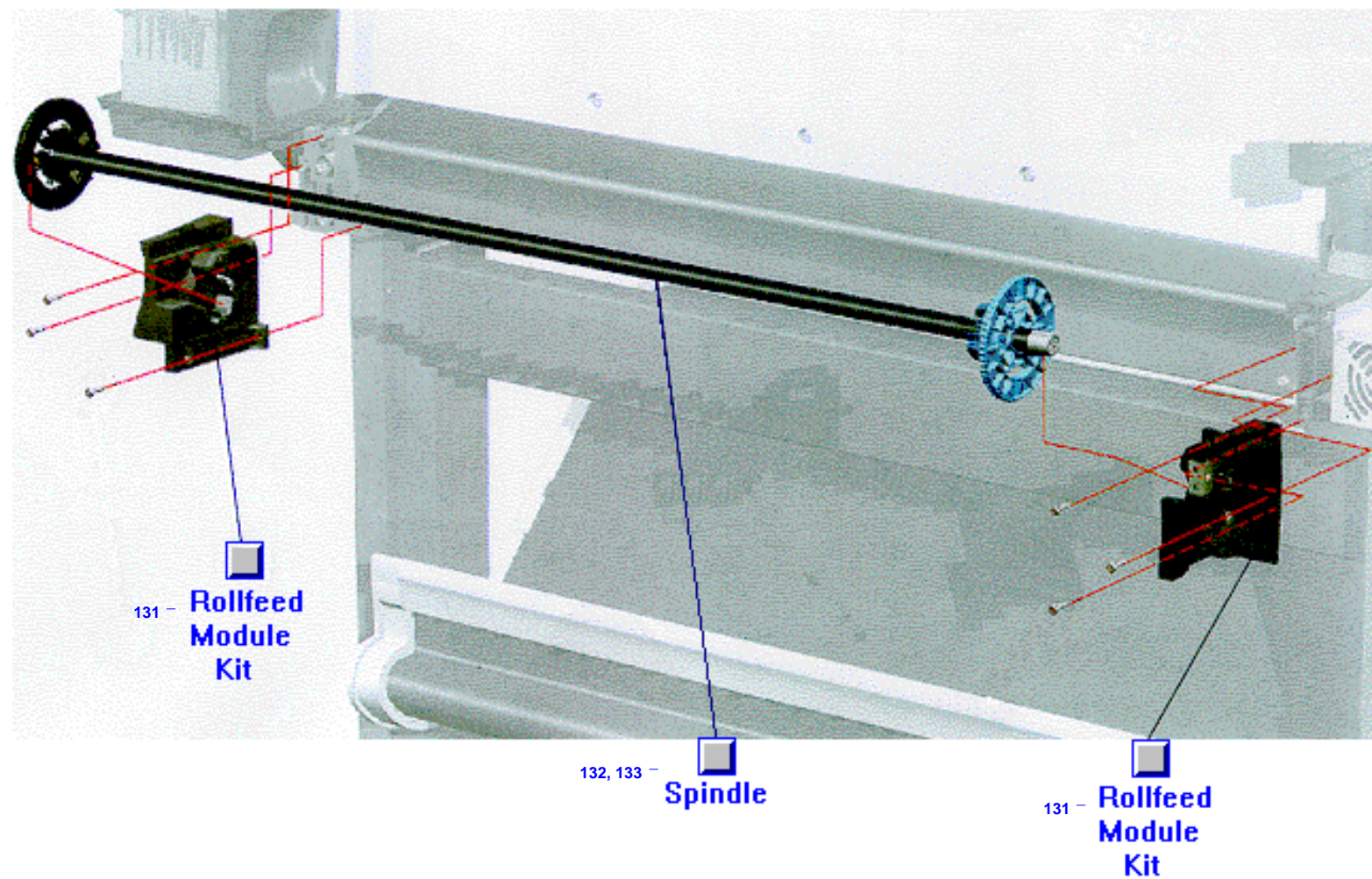
 **Foot Assembly** - 135, 137



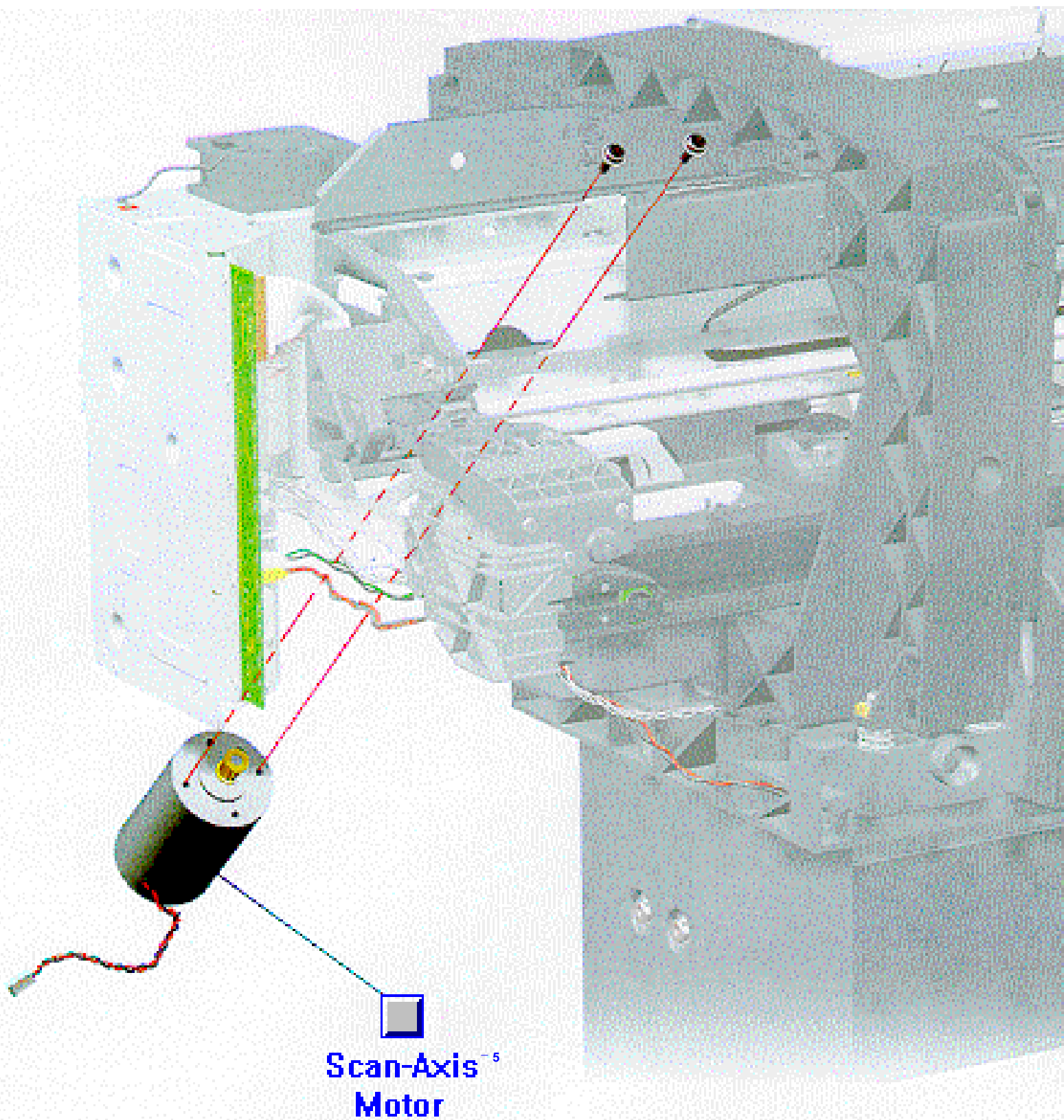
Right Cover and Control Panel



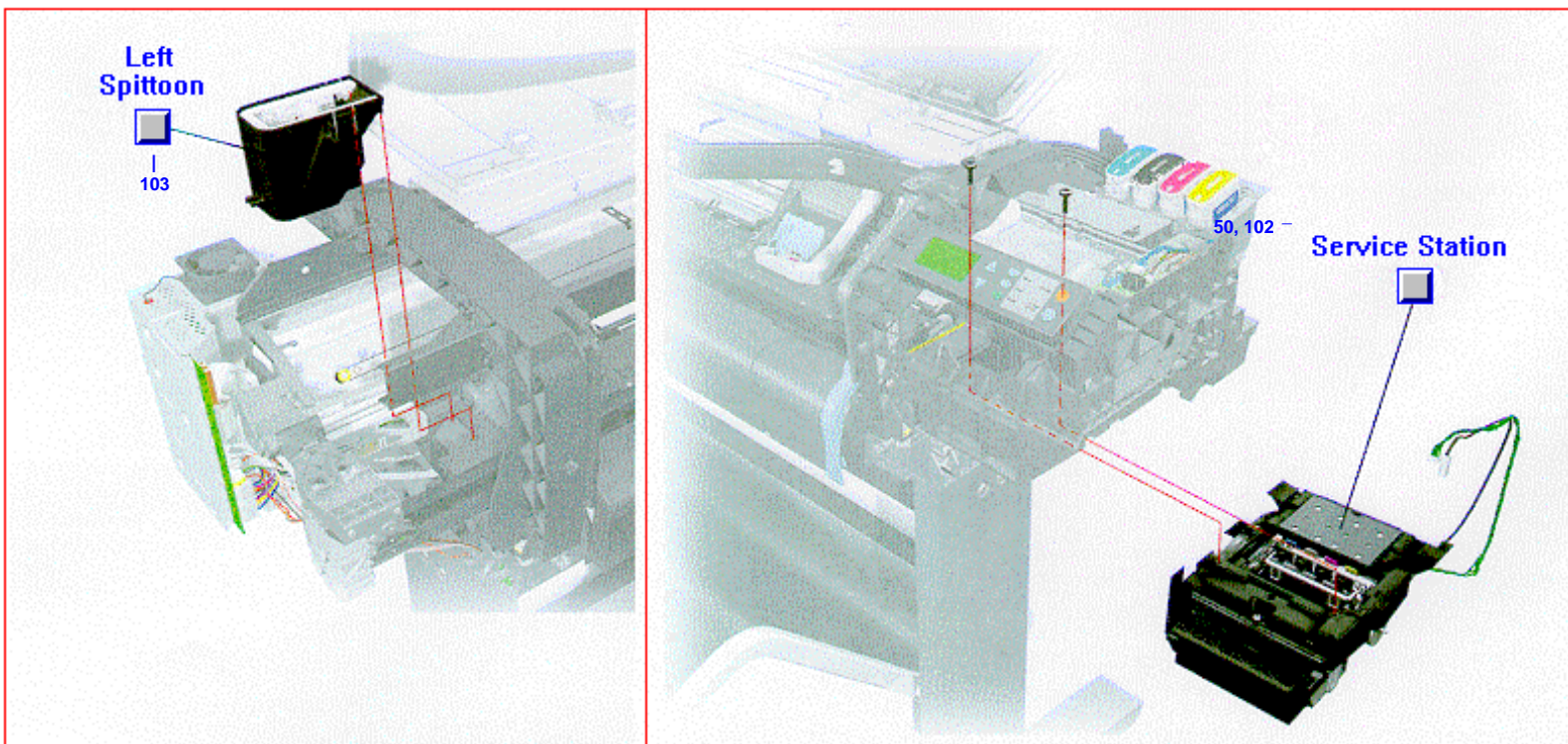
Rollfeed and Spindle



Scan-Axis Motor



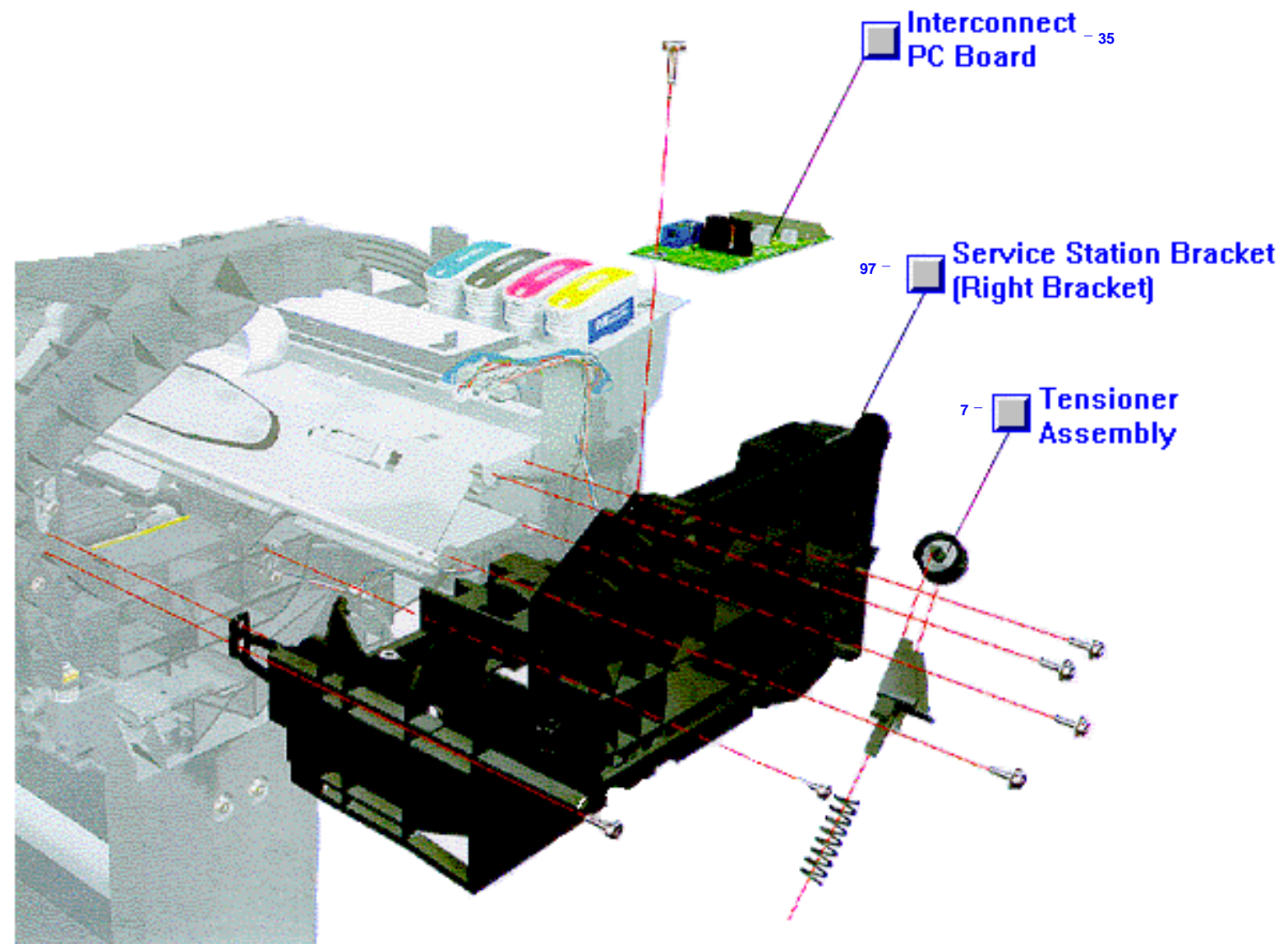
Service Station and Left Spittoon



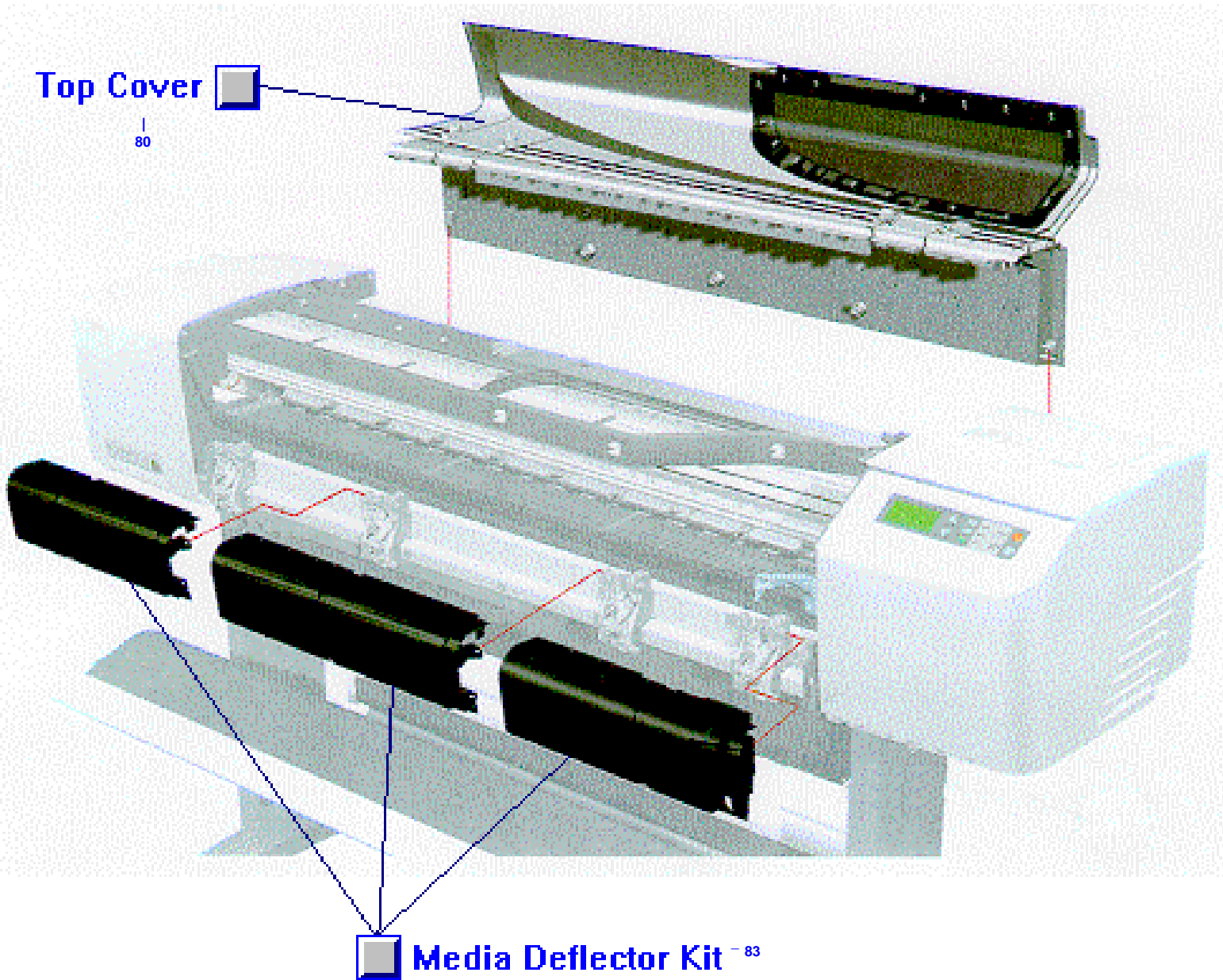
Left Side

Right Side

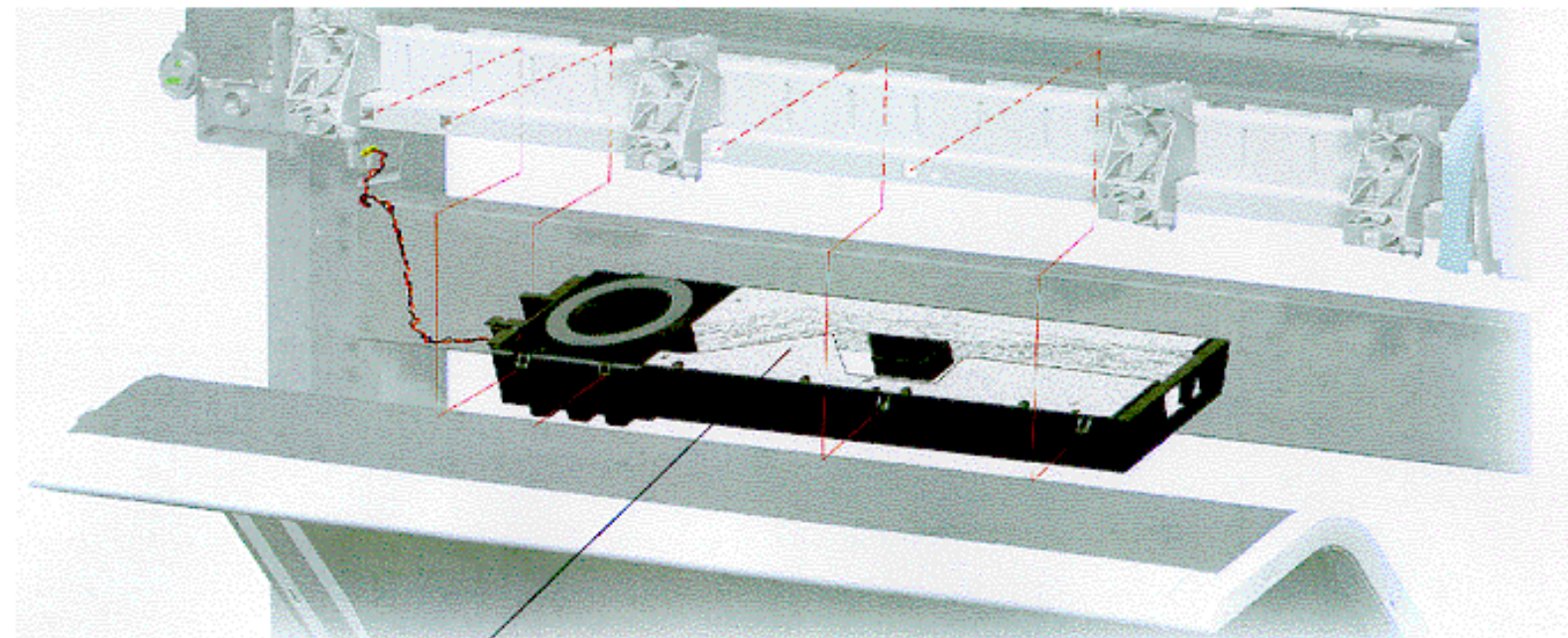
Service Station Holder and Belt Tensioner



Top Cover and Media Deflectors



Vacuum Fan



31 -  Vacuum Fan



HP Parts Reference Guide

<http://www.hp.com/go/parts>

HP PartSurfer

<http://partsurfer.hp.com>

HP Parts Ordering Information

<http://www.hp.com/go/hpparts>

HP Parts Questions/Comments

<http://partsurfer.hp.com/contactus.htm>