

TABLE 1: OP COVER ASSY

| NO. | ITEM NAME | ITEM NO. |
|-----|--|-----------|
| 1 | WINDOW DECAL | F0084300A |
| 2 | ONE TOUCH COVER DECAL | F0084302 |
| 3 | ONE TOUCH PAPER DECAL | F0084301 |
| 4 | DOCUMENT EXIT TRAY | F0083708 |
| 5 | (OKIFAX 740) FUNCTION DECAL, | |
| | GER,AUS,SWI | F0084310A |
| | INT,UK,IREL,FINL | 13811 |
| | ITALY | 13814 |
| | SPAIN | 13815 |
| | NORWAY | 13816 |
| | DENMARK | 13817 |
| | SWEDEN | 13818 |
| | HOLLAND | 13819 |
| | FRANCE | F0084320 |
| | FRANCE (BELGIUM) | 13812 |
| | (OKIFAX 740 MF) FUNCTION DECAL, | |
| | GER,AUS,SWI | F0084311B |
| | INT,UK,IREL,FINL | 17301 |
| | ITALY | 17304 |
| | SPAIN | 17305 |
| | NORWAY | 17306 |
| | DENMARK | 17307 |
| | SWEDEN | 17308 |
| | HOLLAND | 17309 |
| | FRANCE | ???? |
| | FRANCE (BELGIUM) | 17310 |
| 6 | OP COVER | F0083740A |
| 7 | LEVER SPRING | F0083210A |
| 8 | LOCK LEVER HINGE ASSY | F0083713B |
| 9 | LED1 CAP | F0083747A |
| 10 | LED3 CAP | F0083748A |
| 11 | ONE TOUCH KEY | F0083744A |
| 12 | FUNCTION KEY | F0083745A |
| 13 | TEN KEY ASSY | F0083707A |
| 14 | STOP KEY ASSY | F0083704A |
| 15 | START KEY ASSY | F0083703A |
| 16 | SENSOR PLATE SPRING | F0083249B |
| 17 | OPEN BKT GUIDE | F0083461B |
| 18 | OPEN SPRING | F0083462B |
| 19 | OPEN PIN | FOO83460A |
| 20 | M/H ASSY (FCU-OLMOPU) | F0087414A |
| 21 | PCB ASSY (ORION-OKIOPU) | F0086043A |
| 22 | EXIT GUIDE | F0083719A |

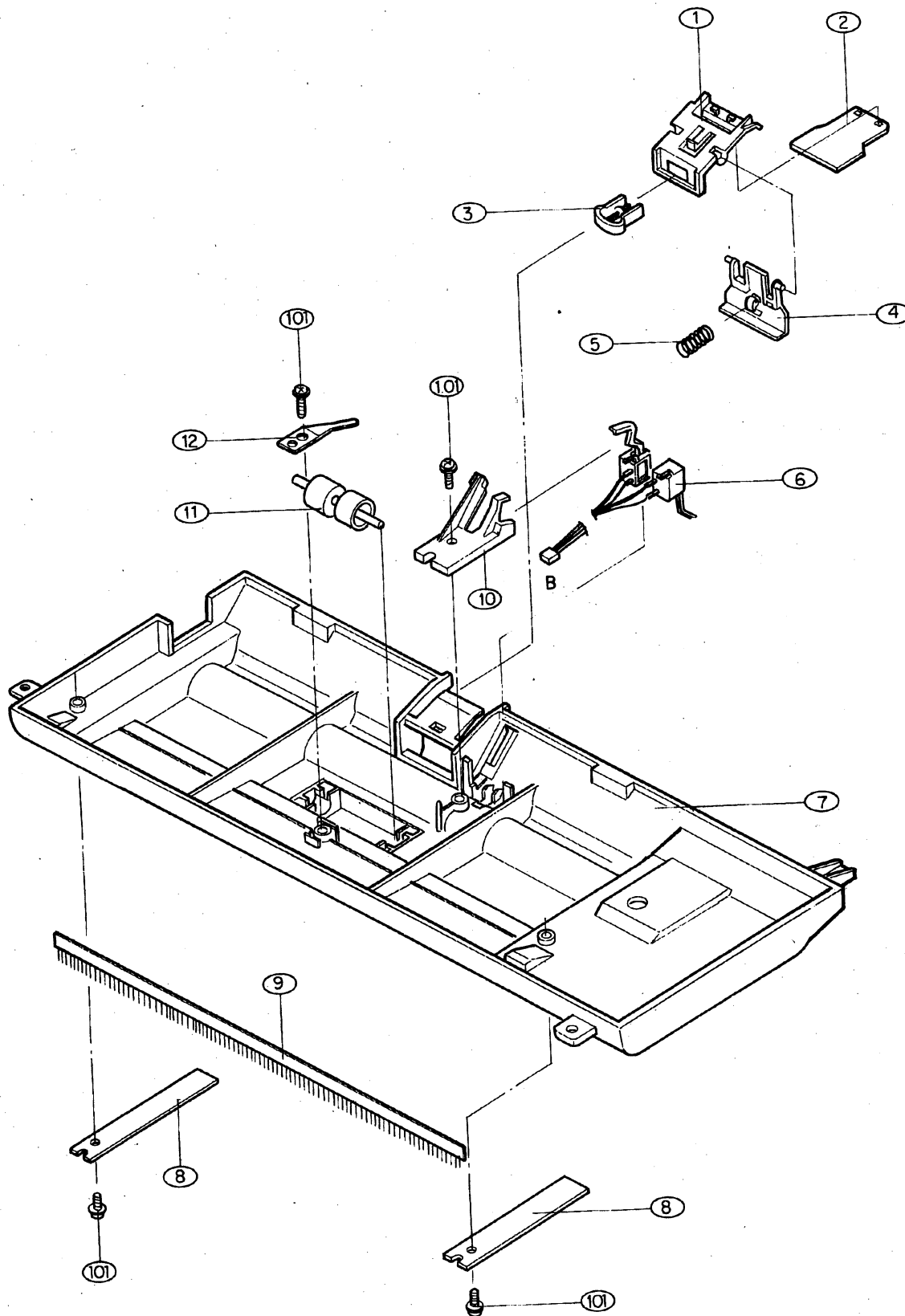


TABLE 2: ADF BASE ASSY

| NO. | ITEM NAME | ITEM NO. |
|------------|---------------------|-----------------|
| 1 | ADF HOLDER | F0081120A |
| 2 | ADF RUBBER | F0081124B |
| 3 | ADF REGULATOR | F0081123C |
| 4 | ADF PRESSURE PLATE | F0081122C |
| 5 | ADF SPRING | F0081121B |
| 6 | SB1 SENSOR ASSY | F0086005A |
| 7 | ADF BASE | F0081100G |
| 8 | CIS PLATE SPRING | F0081103B |
| 9 | ANTISTATIC BRUSH | F0081110 |
| 10 | SB1, SB2 SENSOR CAP | F0081109B |
| 11 | PINCH ROLLER | F0081101C |
| 12 | PINCH PLATE SPRING | F0081102B |

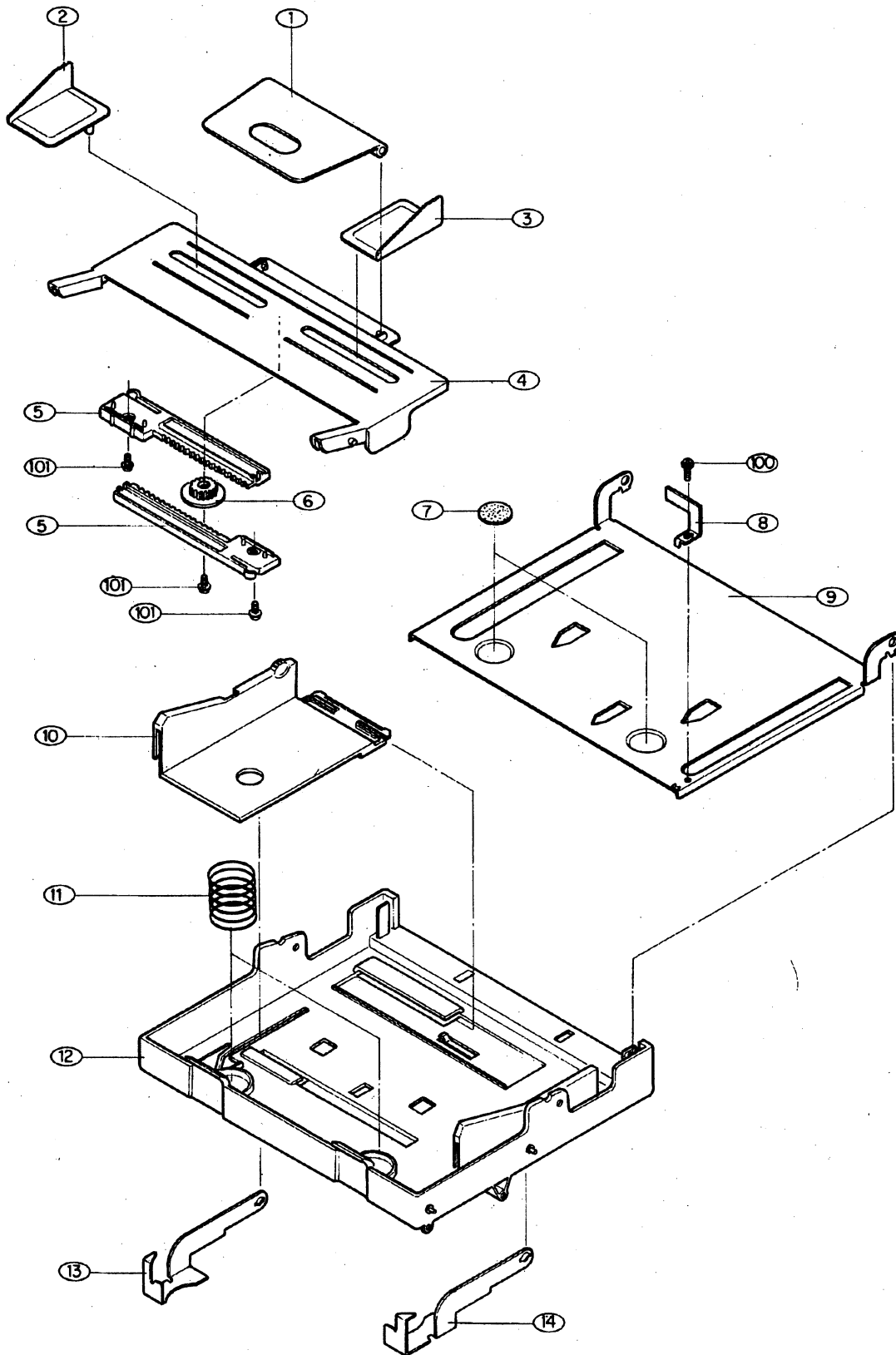


TABLE 3: ASF ASSY

| NO. | ITEM NAME | ITEM NO. |
|------------|--------------------|-----------------|
| 1 | DOC MANUAL TRAY | F0083725 |
| 2 | GUIDE, L | F0083712 |
| 3 | GUIDE, R | F0083711 |
| 4 | CASSETTE GUIDE | F0082708 |
| 5 | RACK GEAR | F0082709 |
| 6 | SIDE GUIDE PINION | F0082110A |
| 7 | BOTTOM PLATE PAD | F0082102A |
| 8 | PAPER STOPPER | F0082117A |
| 9 | ASF BOTTOM PLATE | F0082101B |
| 10 | LEFT FENCE | F0082704 |
| 11 | COMPRESSION SPRING | F0082118 |
| 12 | ASF CASSETTE | F0082720 |
| 13 | LEFT BUCKLER | F0082106B |
| 14 | RIGHT BUCKLER | F0082105B |

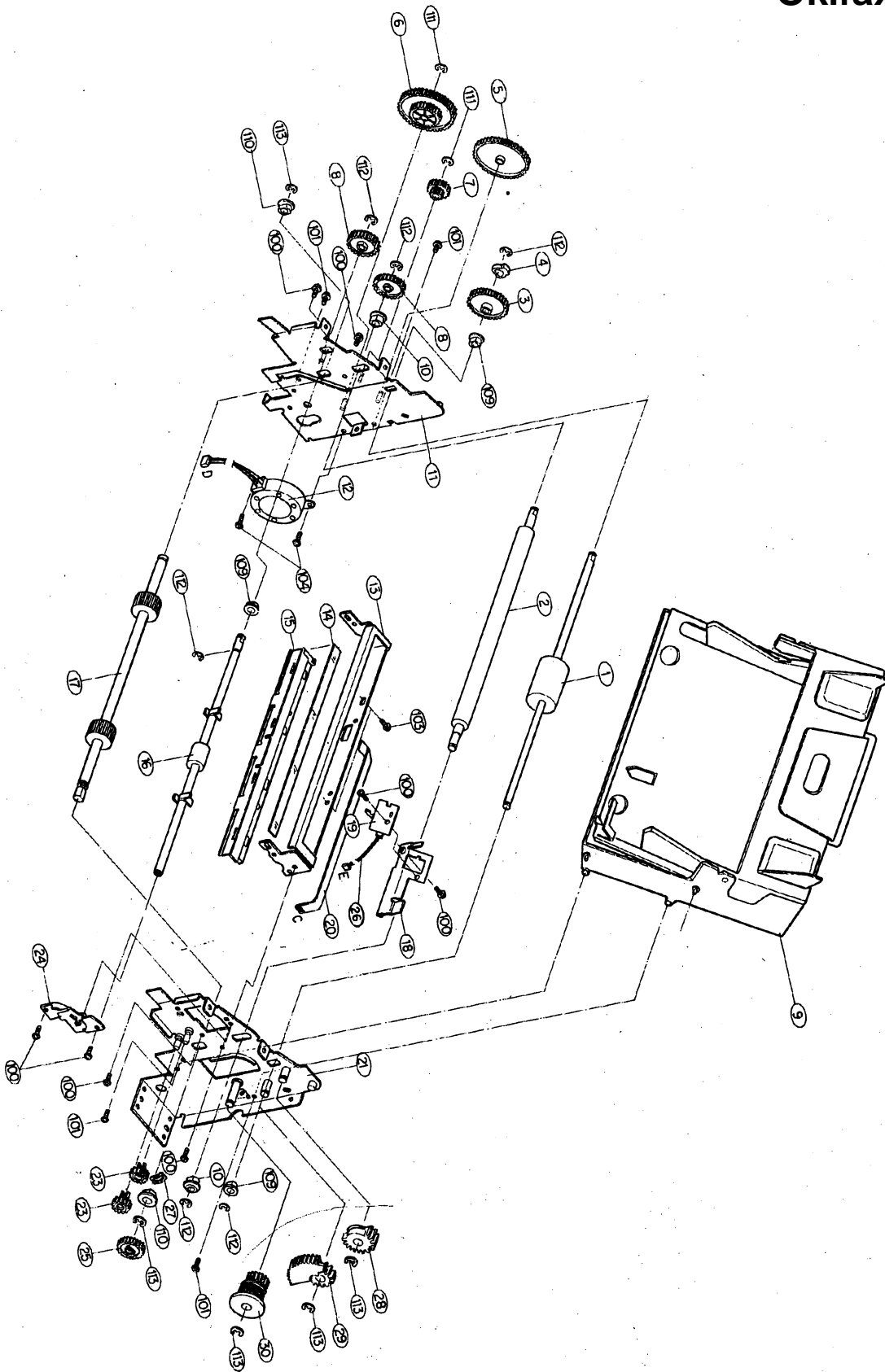


TABLE 4: SCANNER ASSY

| NO. | ITEM NAME | ITEM NO. |
|-----|--------------------|-----------|
| 1 | SEP ROLLER | F0081289 |
| 2 | CIS ROLLER | F0081280B |
| 3 | SEP GEAR | F0081284A |
| 4 | SEP STOPPER RING | F0081286A |
| 5 | IDLE GEAR Z47 / 97 | F0081275A |
| 6 | IDLE GEAR Z51 / 79 | F0081291A |
| 7 | IDLE GEAR | F0083751 |
| 8 | CIS SPUR GEAR | F0083750 |
| 9 | ASF ASSY | F0082070 |
| 10 | CIS BUSHING | F0081281B |
| 11 | SIDE PLATE ASSY, L | F0081062D |
| 12 | MOTOR ASSY (TX) | F0085201 |
| 13 | CIS BRACKET | F0081282D |
| 14 | CIS MYLAR | F0081285A |
| 15 | CIS: AQ20216 HSR1 | F0075030 |
| 16 | EXIT ROLLER ASSY | F0081294B |
| 17 | FEED ROLLER | F0082113 |
| 18 | SENSOR BRACKET | F0081283B |
| 19 | PAPER SENSOR ASSY | F0087401B |
| 20 | CIS FLEX CABLE | F0087404 |
| 21 | SIDE PLATE ASSY, R | F0083960A |
| 23 | IDLE GEAR Z19 | F0082115 |
| 24 | CAM | F0082210B |
| 25 | FEED ROLLER GEAR | F0082114 |
| 26 | PAPER HARNESS ASSY | F0087409 |
| 27 | DOC SPRING | F0083689A |
| 28 | OP GEAR SPUR IDLER | F0083966B |
| 29 | LIMITTER IDLE GEAR | F0083965 |
| 30 | SPRING CLUTCH ASSY | F0083967 |
| 31 | SNAP RING: M6 | 52152621 |
| 109 | BUSHING 6mm | 50530447 |
| 110 | BUSHING 8mm | 50530223A |

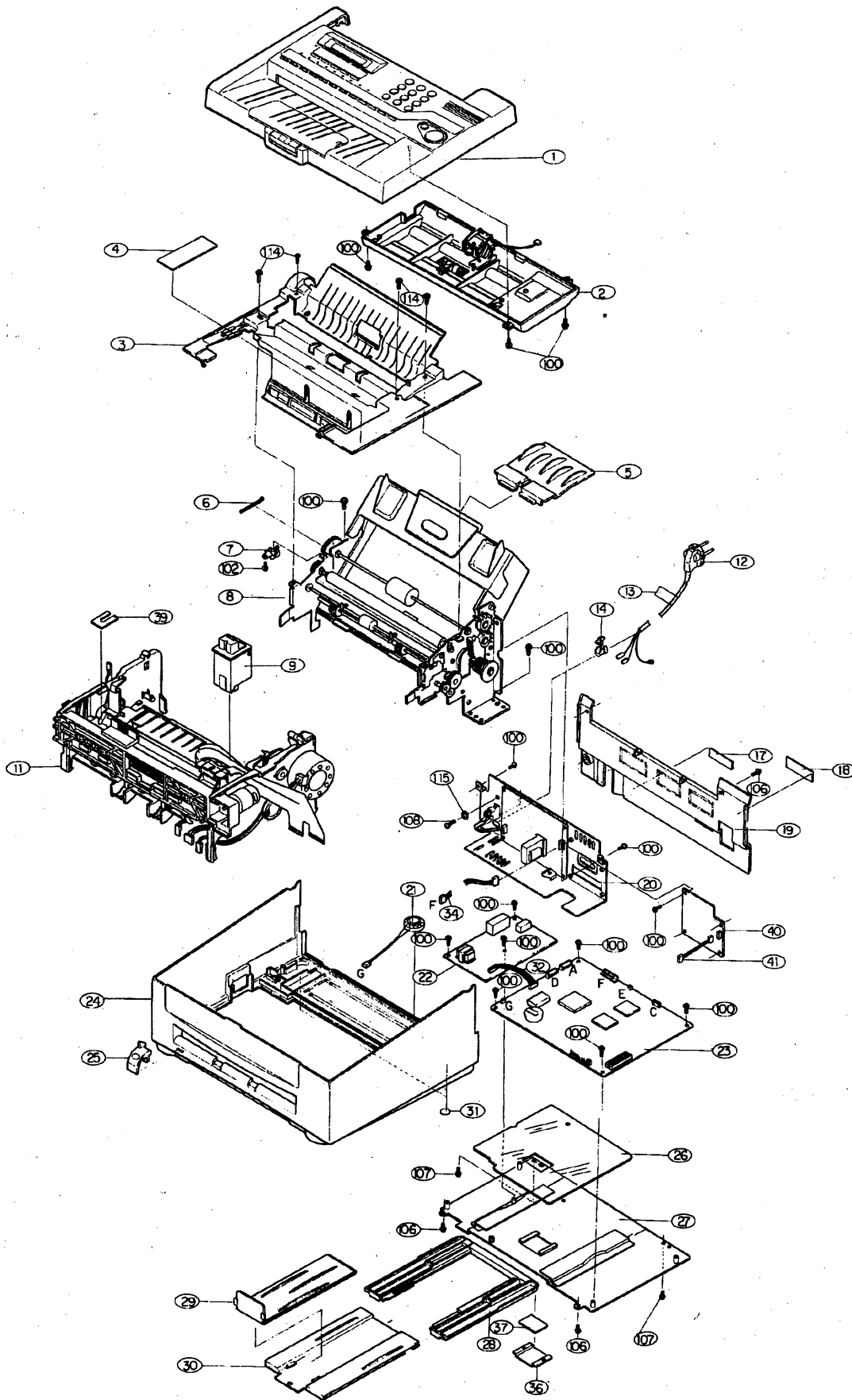


TABLE 5: TOTAL ASSY

| NO. | ITEM NAME | ITEM NO. |
|-----|--|-----------|
| 3 | LOWER GUIDE | F0081755 |
| 4 | INK CHANGE DECAL | F0084720 |
| 5 | ASF MANUAL TRAY | F0081716 |
| 6 | BIND 100mm | 11050042 |
| 7 | OP COVER HOLDER | F0083247B |
| 9 | INK CARTRIDGE | OPTION |
| 11 | FRAME ASSY | F0083002A |
| 12 | POWER CORD 220V | F0087419 |
| 17 | (OKIFAX 740) DECAL:CE/BZT | F0084304A |
| | DECAL:CE:OKI: EUR | F0084305 |
| | DECAL:CE:BAKOM, SWI, AUS | F0084318 |
| | (OKIFAX 740 MF) DECAL:CE/BZT:OKI:GER | F0084308 |
| | DECAL:CE:OKI2:EUR | F0084312 |
| | DECAL:CE/PTT:OKI2:AUS | F0084317 |
| | DECAL:CE/BAKOM:OKI2, SWI | F0084319 |
| 18 | SERIAL NO DECAL | F0084306 |
| 19 | (OKIFAX 740) REAR COVER | F0083717 |
| | REAR COVER, AUS | F0083727 |
| | (OKIFAX 740 MF) REAR COVER | F0083716 |
| | REAR COVER, AUS | F0083908 |
| 20 | (OKIFAX 740) PSU ASSY | F0085510A |
| | (OKIFAX 740 MF) PSU ASSY | F0085508A |
| 21 | SPEAKER ASSY | F0087405 |
| 22 | (OKIFAX 740) HE2-NCU PCB ASSY, GER | F0086015C |
| | HE2-NCU PCB ASSY, EUR | F0086025 |
| | HE2-NCU PCB ASSY, SWI | F0086040 |
| | HE2-NCU PCB ASSY,FRA | F0086035 |
| | (OKIFAX 740 MF) HE2-NCU PCB ASSY, GER | F0086015D |
| | HE2-NCU PCB ASSY, EUR | F0086025A |
| | HE2-NCU PCB ASSY, SWI | F0086040A |
| | HE2-NCU PCB ASSY, FRA | F0086035 |
| 23 | (OKIFAX 740) FCU PCB ASSY, GER, SWI | F0086071C |
| | FCU PCB ASSY, UK, BEL, NL | F0086072E |
| | FCU PCB ASSY, DK, NW, SW, FIN | F0086073B |
| | FCU PCB ASSY, AUSTRIA | F0086074D |
| | FCU PCB ASSY, FRA | F0086083B |
| | FCU PCB ASSY, SP, ITA | F0086069B |
| | (OKIFAX 740 MF) FCU PCB ASSY, GER, SWI | F0086076F |
| | FCU PCB ASSY, UK, BEL, NL | F0086077B |
| | FCU PCB ASSY, DK, NW, SW, FIN | F0086082B |
| | FCU PCB ASSY, AUSTRIA | F0086079B |
| | FCU PCB ASSY, FRA | F0086078B |
| | FCU PCB ASSY, SP, ITA | F0086081B |
| 24 | LOWER COVER | F0083720 |

| | | |
|----|--|-----------|
| 25 | OUTPUT GUIDE | F0083721 |
| 26 | BASE MYLAR | F0084110C |
| 27 | BASE PLATE ASSY | F0083050C |
| 28 | EXIT SLIDE TRAY | F0083722 |
| 29 | EXTENDER EXIT TRAY | F0083724 |
| 30 | EXIT TRAY | F0083723 |
| 31 | PLATE RUBBER FOOT | 52141221A |
| 32 | HE2-NCU-FCU M/H ASSY | F0087413 |
| 34 | FCU-PSU HARNESS ASSY | F0087402 |
| 36 | BASE COVER MEMORY | F0083260A |
| 37 | MEMORY BASE MYLAR | F0084111A |
| 39 | BOTTOM FRAME MYLAR | F0082212 |
| 40 | (OKIFAX 740) PC I/F PCB ASSY | F0086016B |
| | (OKIFAX 740 MF) PC I/F + PRINTER I/F PCB ASSY | F0086206 |
| 41 | PC I/F-FCU M/H ASSY | F0087407B |
| 42 | (OKIFAX 740 MF ONLY) M/H ASSY:PRT I/F-FCU | F0087408A |

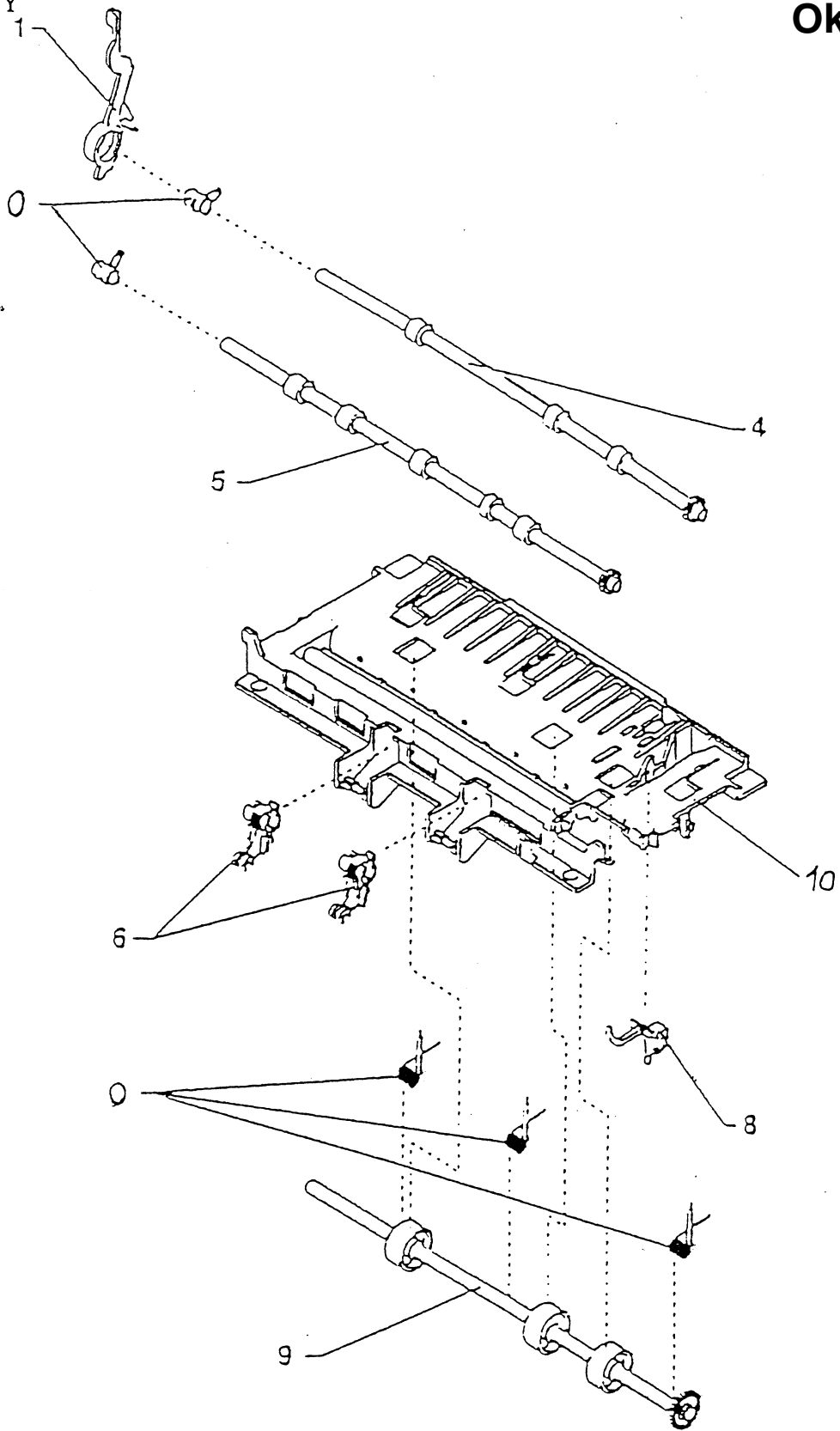


TABLE 6: PAPER FEED ASSY

| NO. | ITEM NAME | ITEM NO. |
|------------|---|-----------------|
| 0 | PARTS PACK | 1367169 |
| 1 | PAPER RELEASE LEVER | 1367179 |
| 4 | SMALL FEED ROLLER ASSY | 1367279 |
| 5 | EXIT ROLLER ASSY | 1367289 |
| 6 | EJECTOR B/M | 1367266 |
| 9 | LARGE FEED ROLLER ASSY | 1367269 |
| 10 | MIDDLE FRAME ASSY (INCL. NO. 8 + MAINT.STATION, FIG. 10) | 1367219 |

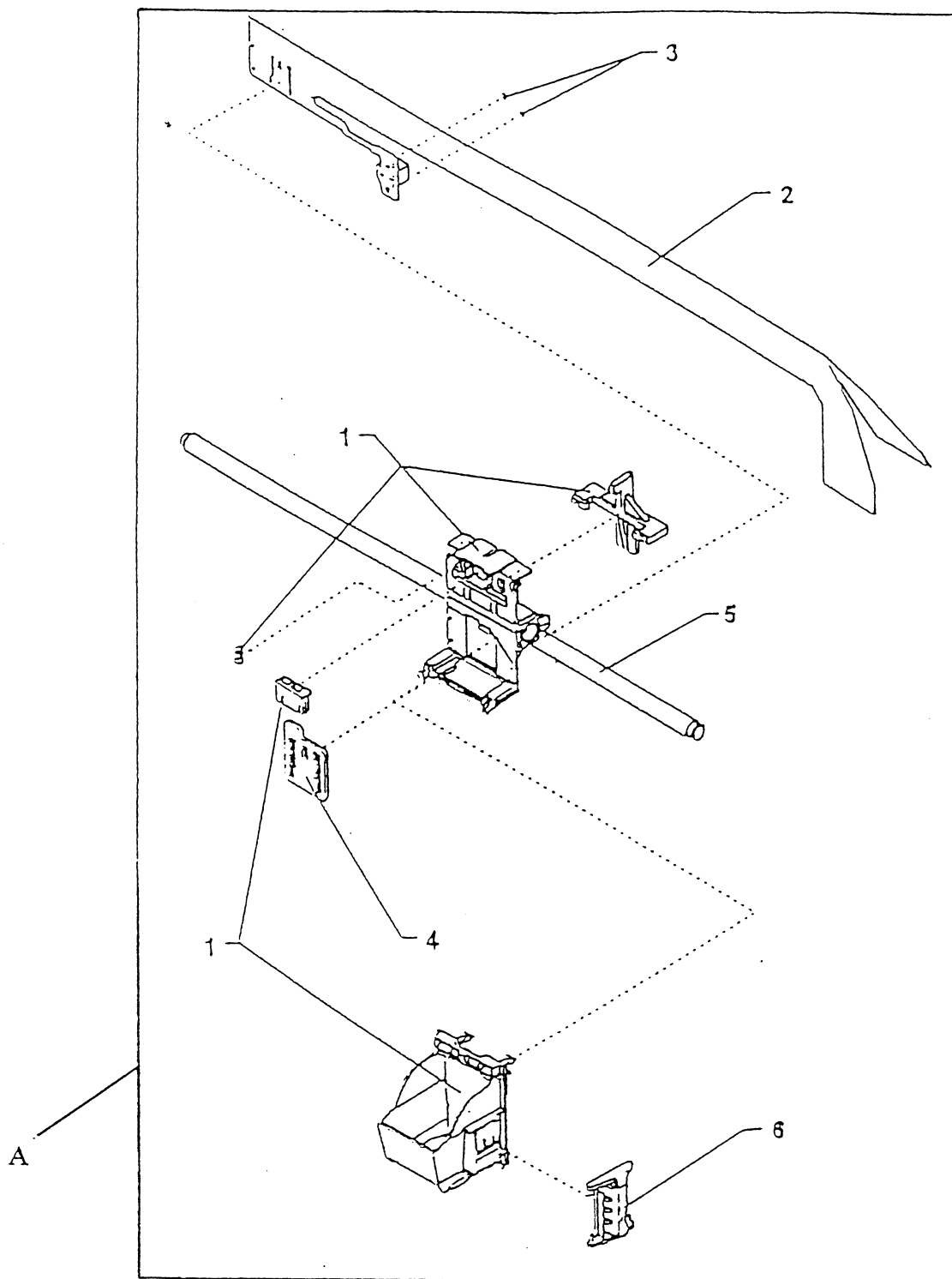


TABLE 7: PRINT HEAD CARRIER ASSY

| NO. | ITEM NAME | ITEM NO. |
|------------|--|-----------------|
| A | PRINT HEAD CARRIER ASSY (INCL. NO. 1-6) | 139999 |

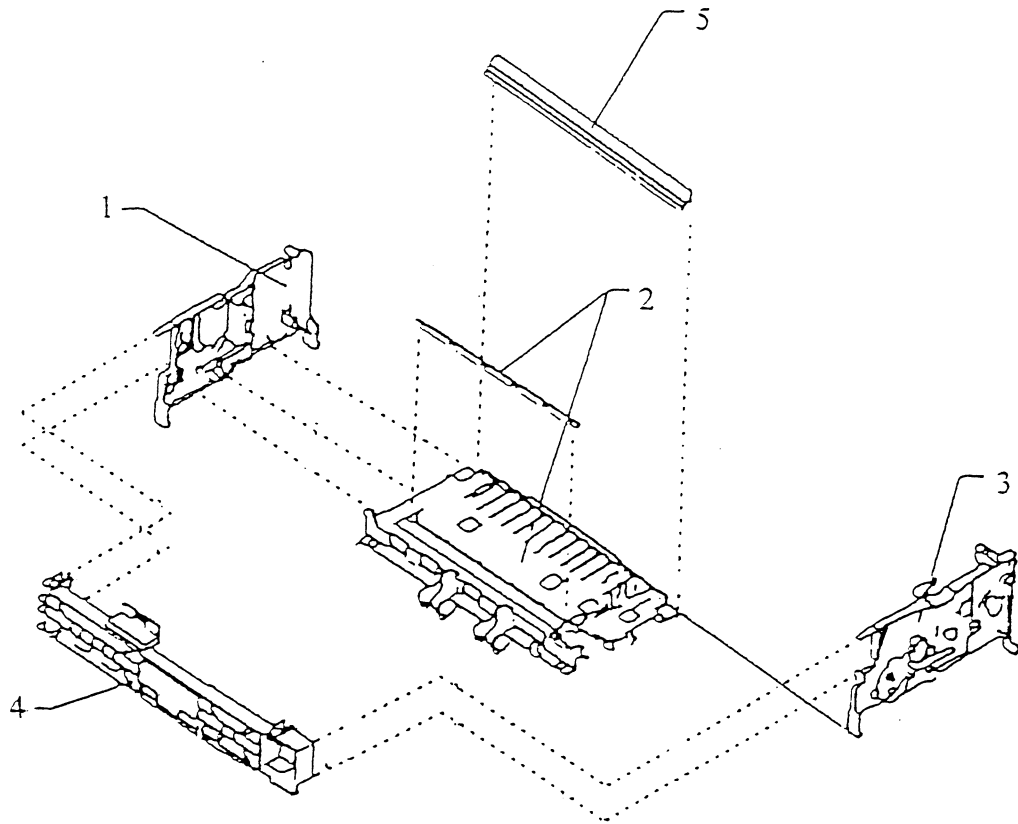


TABLE 8: FRAMES ASSY

| NO. | ITEM NAME | ITEM NO. |
|-----|---|----------|
| 1 | LEFT SIDE FRAME | 1367209 |
| 2 | MIDDLE FRAME ASSY (INCL. NO. 8, FIG. 6 + MAINT. STATION, FIG. 10) | 1367219 |
| 3 | RIGHT SIDE FRAME ASSY (INCL. NO. 10-12, FIG. 11) | 1367229 |
| 4 | CARR. TR. MOTOR FRAME ASSY (INCL. NO. 1, 3-7, FIG. 12) | 1367309 |
| 5 | CARRIER GUIDE | 1367079 |

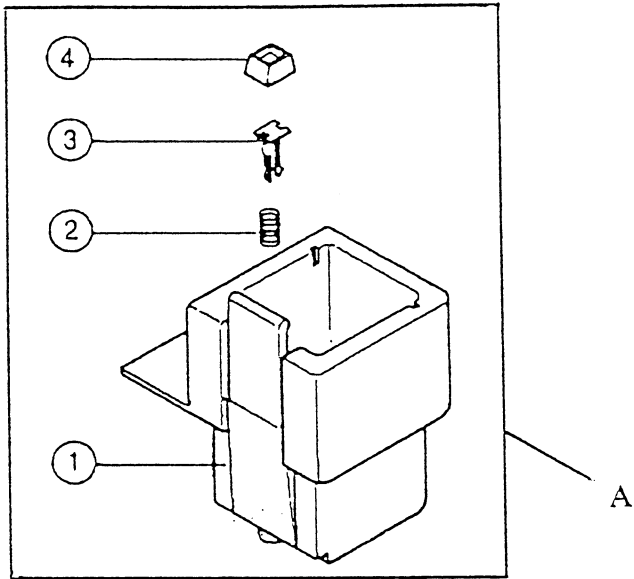
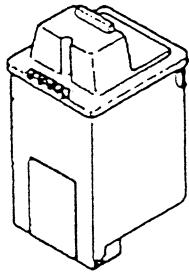


TABLE 9: CARTRIDGE ASSY

| NO. | ITEM NAME | ITEM NO. |
|------------|---|-----------------|
| A | (OKIFAX 740 MF ONLY) CARTRIDGE ASSY (INCL. NO. 1-4) | F0083755 |

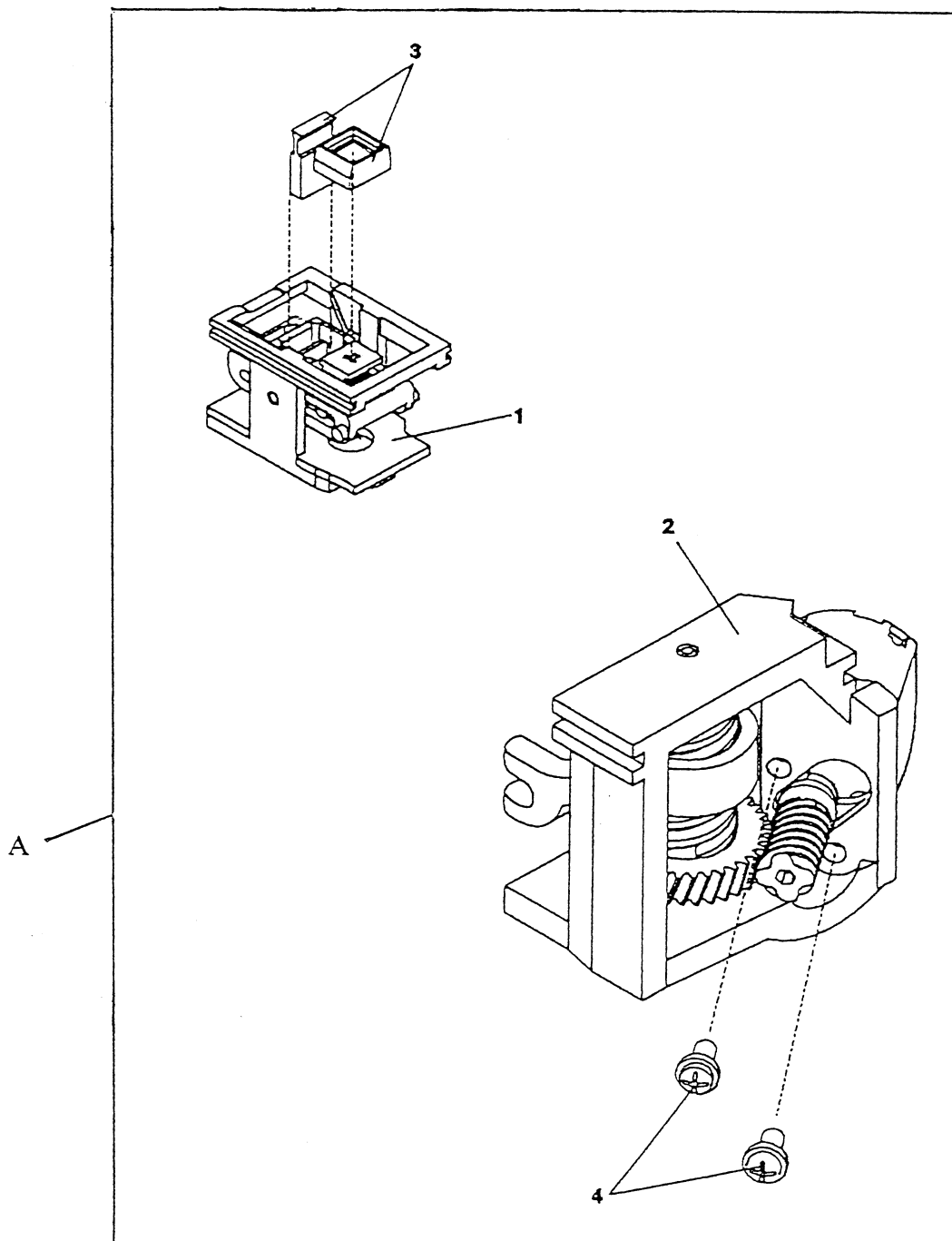


TABLE 10: MAINTENANCE STATION

| NO. | ITEM NAME | ITEM NO. |
|------------|--|-----------------|
| A | MAINTENANCE STATION (INCL. NO. 1-4 + MIDDLE FRAME ASSY 10 & NO. 8, FIG. 6) | 1367219 |

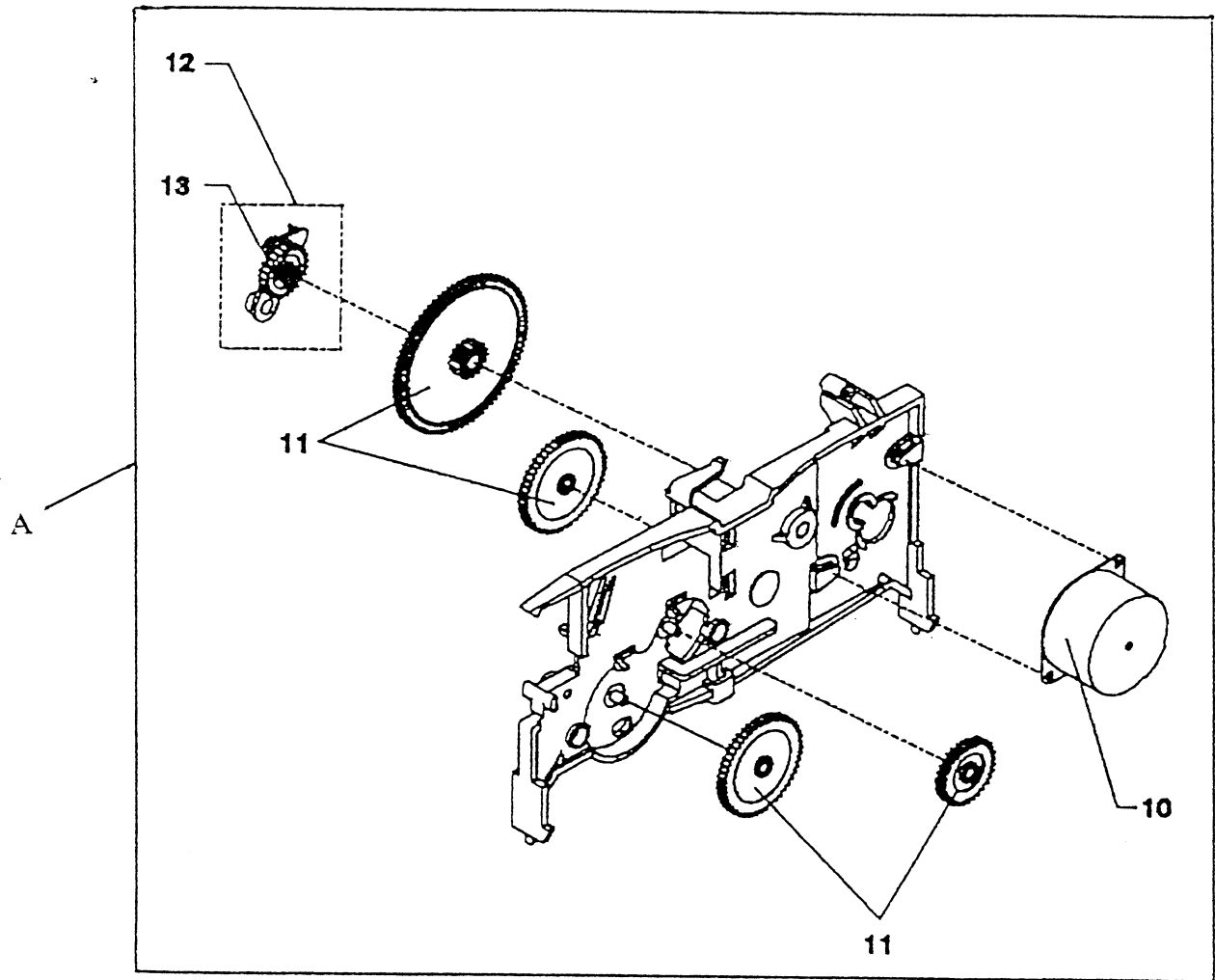


TABLE 11: RIGHT SIDE FRAME ASSY

| NO. | ITEM NAME | ITEM NO. |
|------------|--|-----------------|
| A | RIGHT SIDE FRAME ASSY (INCL. NO. 10-12) | 1367229 |

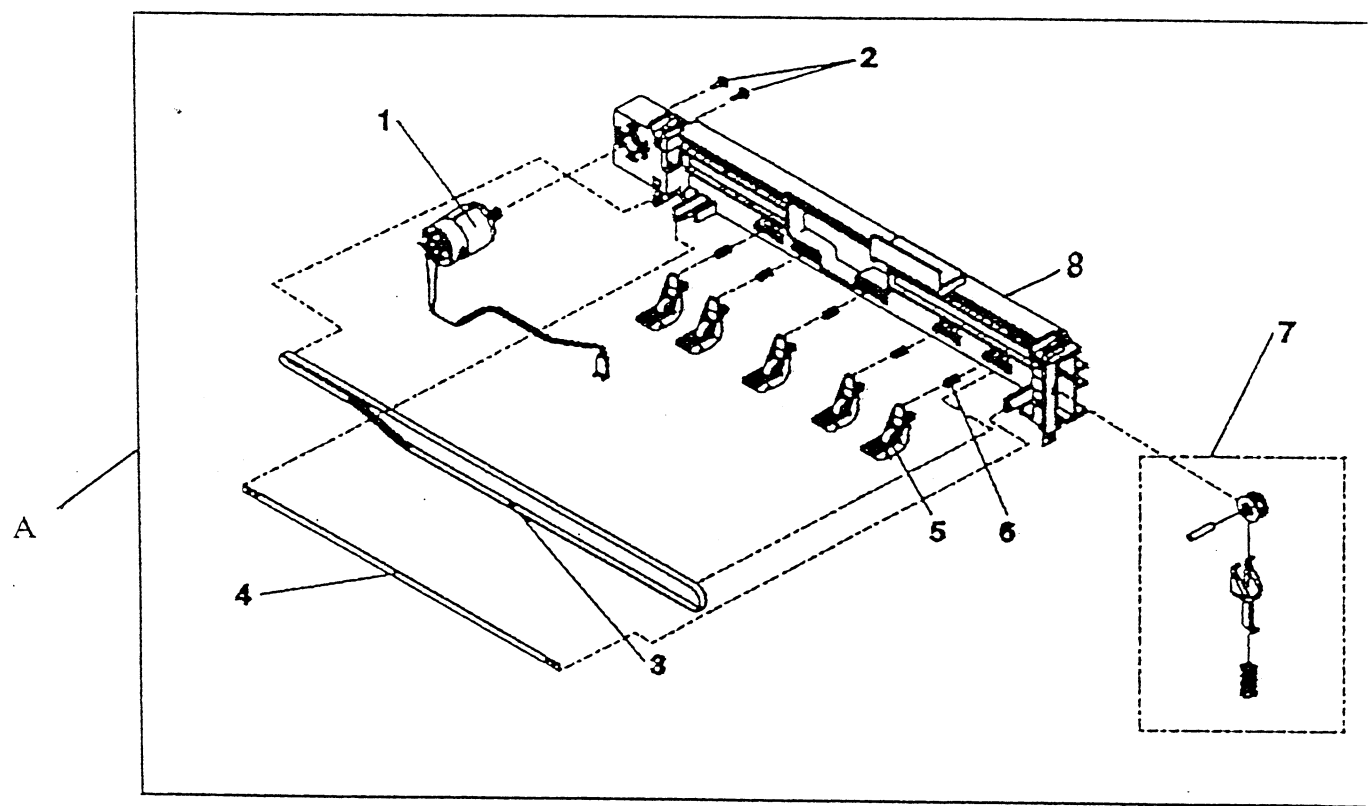


TABLE 12: CARRIER TRANSPORT MOTOR FRAME ASSY

| NO. | ITEM NAME | ITEM NO. |
|------------|--|-----------------|
| A | CARR. TR. MOTOR FRAME ASSY (INCL. NO. 1, 3-8) | 1367309 |