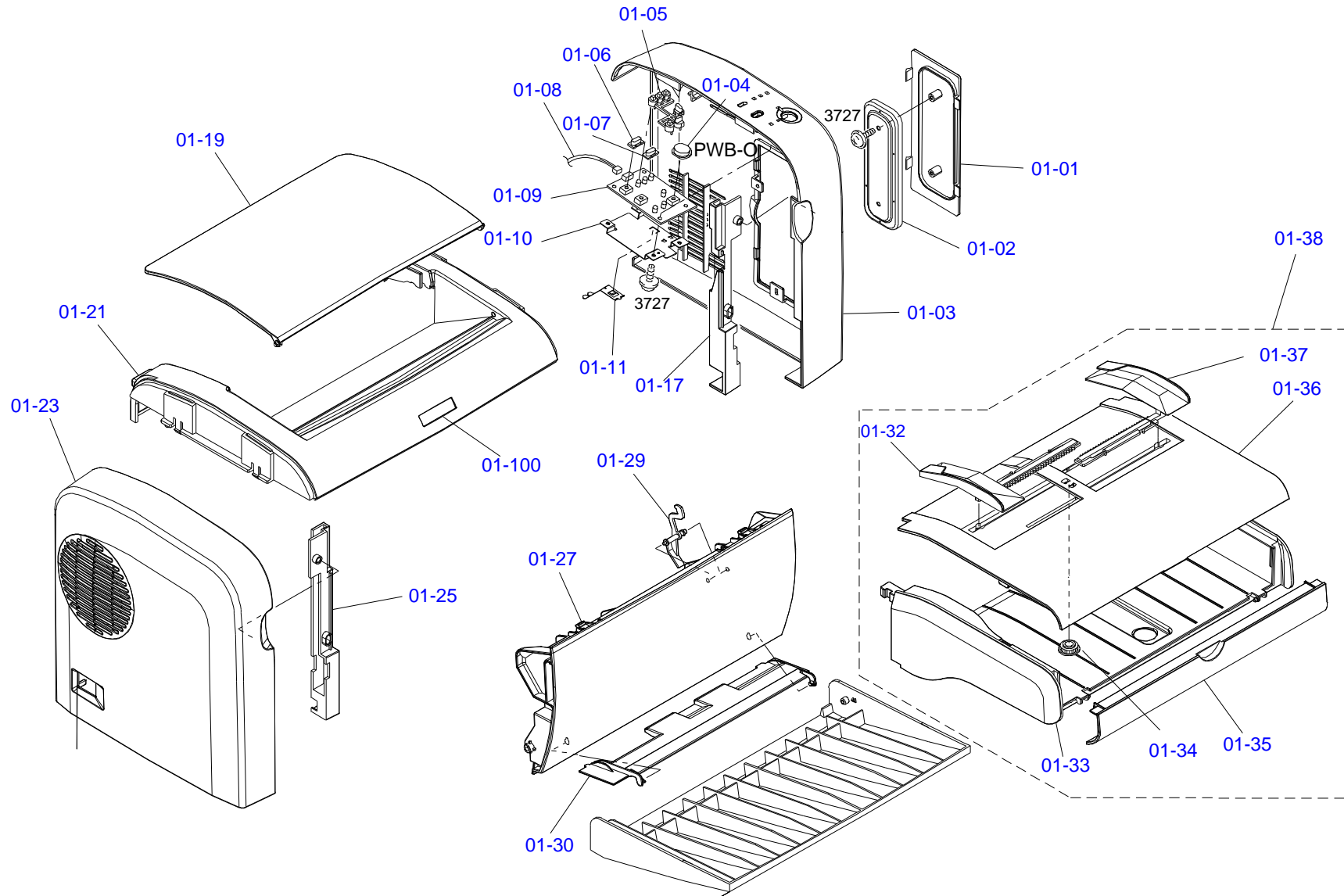
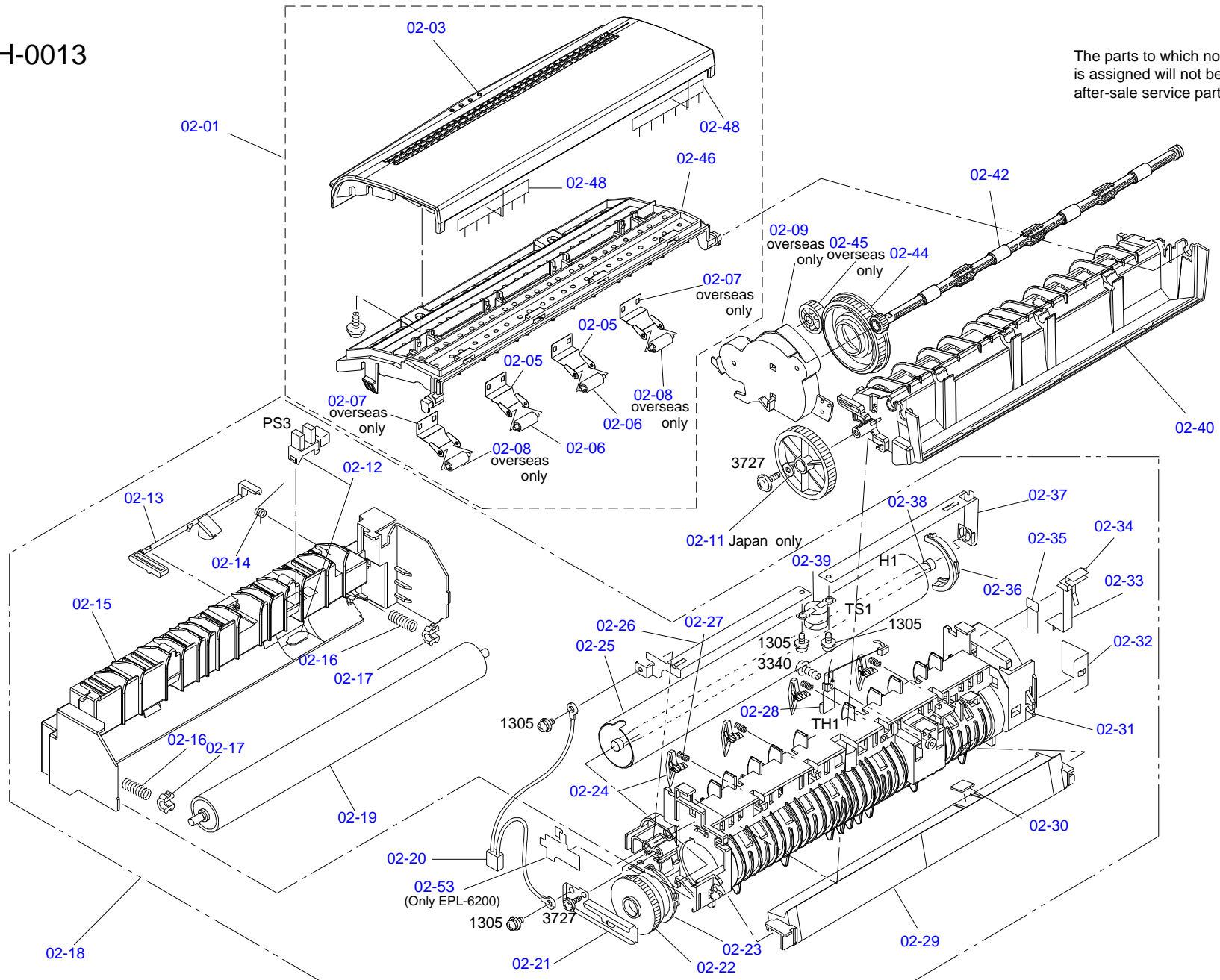


The parts to which no reference number is assigned will not be available as after-sale service parts.

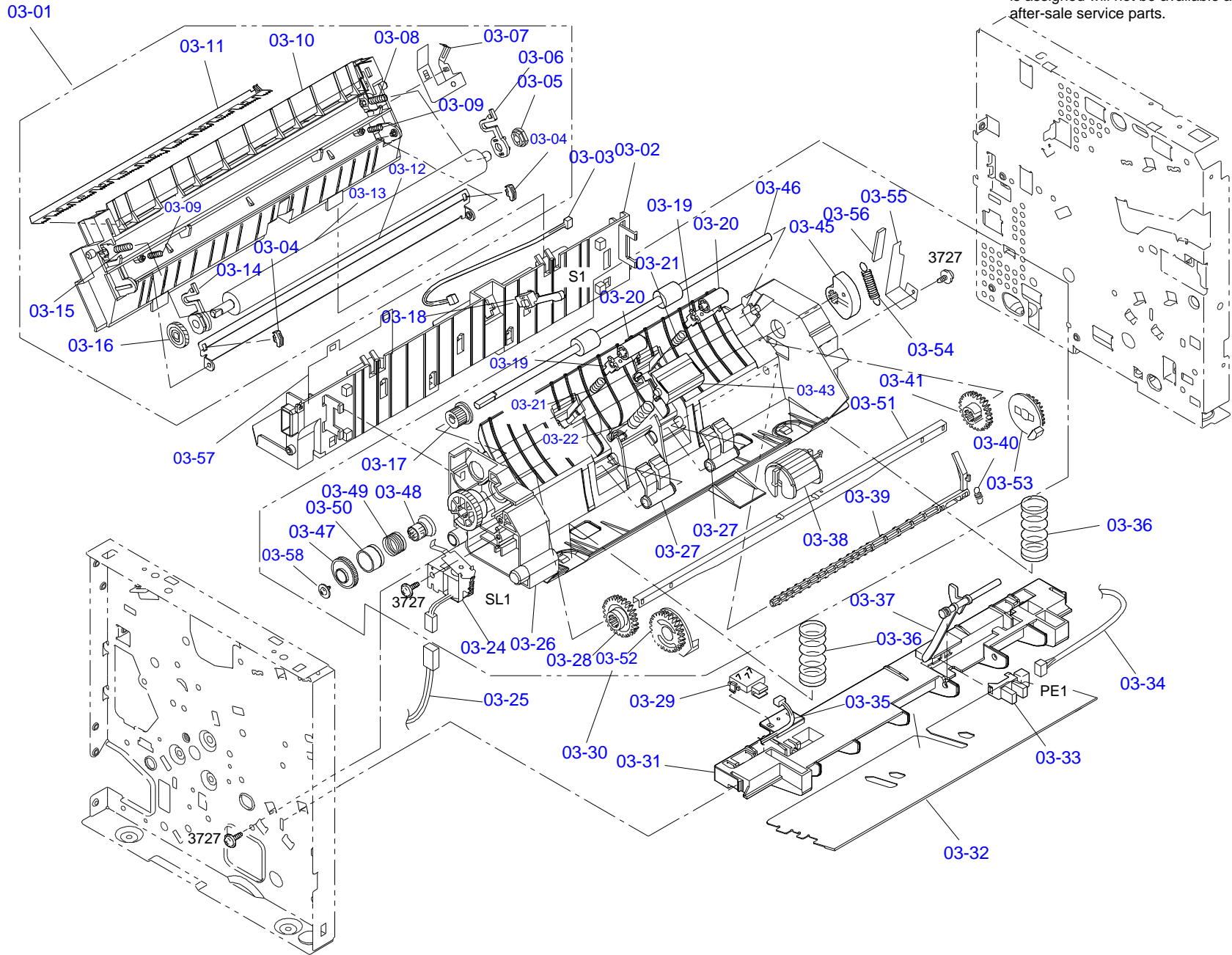


# C533-MECH-0013

The parts to which no reference number is assigned will not be available as after-sale service parts.

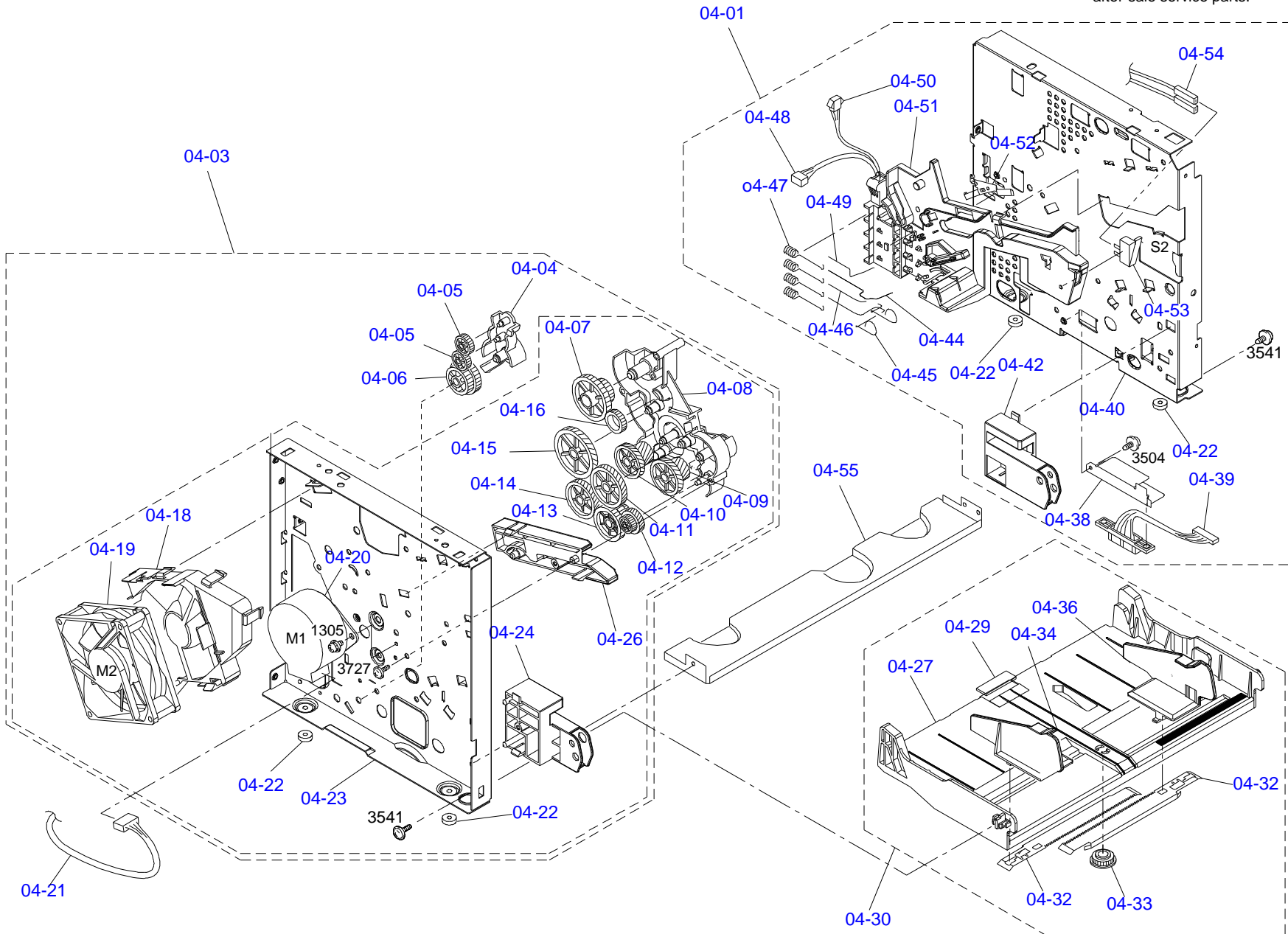


# C533-MECH-0024



The parts to which no reference number is assigned will not be available as after-sale service parts.

The parts to which no reference number is assigned will not be available as after-sale service parts.





Part Code	Part Name	Ref No.	Category	Qty	Remark
<a href="#">3021795</a>	SOFTWARE CD-ROM,E	<a href="#">NONFIG</a>	Accessories	1	
<a href="#">4044766</a>	SETTING UP MANUAL	<a href="#">NONFIG</a>	Accessories	1	
<a href="#">1268411</a>	COVER	<a href="#">01-01</a>	Case	1	
<a href="#">1268412</a>	SHIELD	<a href="#">01-02</a>	Case	1	
<a href="#">1268413</a>	COVER	<a href="#">01-03</a>	Case	1	
<a href="#">1268414</a>	BUTTON	<a href="#">01-04</a>	Case	1	
<a href="#">1268415</a>	LENS	<a href="#">01-05</a>	Case	1	
<a href="#">1268416</a>	BUTTON	<a href="#">01-06</a>	Case	1	
<a href="#">1268417</a>	BUTTON	<a href="#">01-07</a>	Case	1	
<a href="#">2108408</a>	WIRE HARNESS ASSY	<a href="#">01-08</a>	Case	1	
<a href="#">2108989</a>	PWB ASSY	<a href="#">01-09</a>	Case	1	
<a href="#">1268418</a>	BRACKET	<a href="#">01-10</a>	Case	1	
<a href="#">1058403</a>	LOGO PLATE 10X40;C,2COLOR SEIKEI	<a href="#">01-100</a>	Case	1	
<a href="#">1268419</a>	EARTH GROUND	<a href="#">01-11</a>	Case	1	
<a href="#">1268423</a>	COVER	<a href="#">01-17</a>	Case	1	
<a href="#">1268425</a>	TRAY	<a href="#">01-19</a>	Case	1	
<a href="#">1268427</a>	TOP COVER	<a href="#">01-21</a>	Case	1	
<a href="#">1268431</a>	COVER	<a href="#">01-23</a>	Case	1	
<a href="#">1268434</a>	COVER	<a href="#">01-25</a>	Case	1	
<a href="#">1268436</a>	COVER	<a href="#">01-27</a>	Case	1	
<a href="#">1268441</a>	LEVER	<a href="#">01-29</a>	Case	1	
<a href="#">1268443</a>	COVER	<a href="#">01-30</a>	Case	1	
<a href="#">1268450</a>	REGULATIN PLATE	<a href="#">01-32</a>	Case	1	
<a href="#">1268452</a>	TRAY	<a href="#">01-33</a>	Case	1	
<a href="#">1090635</a>	GEAR	<a href="#">01-34</a>	Case	1	
<a href="#">1268454</a>	COVER	<a href="#">01-35</a>	Case	1	
<a href="#">1268455</a>	COVER	<a href="#">01-36</a>	Case	1	
<a href="#">1268457</a>	REGULATING PLATE	<a href="#">01-37</a>	Case	1	
<a href="#">1268448</a>	TRAY ASSY	<a href="#">01-38</a>	Case	1	
<a href="#">1046142</a>	TAPPING SCREW	<a href="#">3727</a>	Case	1	
<a href="#">2110011</a>	PRINT HEAD ASSY	<a href="#">05-01</a>	Electronic Parts	1	
<a href="#">2108409</a>	HV TRANSFORMER	<a href="#">05-03</a>	Electronic Parts	1	
<a href="#">1268813</a>	FRAME	<a href="#">05-05</a>	Electronic Parts	1	
<a href="#">1268815</a>	FRAME	<a href="#">05-07</a>	Electronic Parts	1	
<a href="#">2108992</a>	POWER SUPPLY 200V	<a href="#">05-08</a>	Electronic Parts	1	
<a href="#">2085750</a>	WIRE HARNESS ASSY	<a href="#">05-09</a>	Electronic Parts	1	
<a href="#">2108410</a>	WIRE HARNESS ASSY	<a href="#">05-10</a>	Electronic Parts	1	
<a href="#">2109381</a>	BOARD ASSY., MAIN	<a href="#">05-100</a>	Electronic Parts	1	
<a href="#">1037269</a>	GUIDE RAIL TYPE-B	<a href="#">05-101</a>	Electronic Parts	1	
<a href="#">2109435</a>	BOARD ASSY.,MEMORY	<a href="#">05-102</a>	Electronic Parts	1	
<a href="#">2085753</a>	WIRE HARNESS ASSY	<a href="#">05-103</a>	Electronic Parts	1	
<a href="#">1268816</a>	BRACKET	<a href="#">05-11</a>	Electronic Parts	1	
<a href="#">1268817</a>	BASE FRAME	<a href="#">05-12</a>	Electronic Parts	1	
<a href="#">2082069</a>	POWER CABLE	<a href="#">05-13</a>	Electronic Parts	1	EHK/ESP
<a href="#">2087700</a>	POWER CABLE	<a href="#">05-13</a>	Electronic Parts	1	
<a href="#">2085752</a>	WIRE HARNESS ASSY	<a href="#">05-14</a>	Electronic Parts	1	
<a href="#">2108990</a>	PWB ASSY I/F	<a href="#">05-15</a>	Electronic Parts	1	
<a href="#">1268818</a>	SHIELD	<a href="#">05-16</a>	Electronic Parts	1	

<a href="#">1268820</a>	EARTH GROUND	<a href="#">05-18</a>	Electronic Parts	1
<a href="#">1268821</a>	BRACKET	<a href="#">05-19</a>	Electronic Parts	1
<a href="#">2109242</a>	BOARD ASSY.,PERIPHERAL UNIT OF USB	<a href="#">05-20</a>	Electronic Parts	1
<a href="#">1268822</a>	BRACKET	<a href="#">05-21</a>	Electronic Parts	1
<a href="#">1268823</a>	COVER	<a href="#">05-22</a>	Electronic Parts	1
<a href="#">1110073</a>	COVER,TYPE-B	<a href="#">05-23</a>	Electronic Parts	1
<a href="#">1028834</a>	CABLE TIE 104L	<a href="#">05-29</a>	Electronic Parts	1
<a href="#">1290191</a>	INSULATING MEMBER	<a href="#">05-30</a>	Electronic Parts	1
<a href="#">2089993</a>	FERRITE CORE	<a href="#">05-31</a>	Electronic Parts	1
<a href="#">1294477</a>	SPACER	<a href="#">05-34</a>	Electronic Parts	1
<a href="#">1297460</a>	EDGE COVER	<a href="#">05-35</a>	Electronic Parts	1
<a href="#">1268824</a>	SCREW	<a href="#">1115</a>	Electronic Parts	1
<a href="#">1031790</a>	SCREW	<a href="#">1318</a>	Electronic Parts	1
<a href="#">1052923</a>	SCREW	<a href="#">3547</a>	Electronic Parts	1
<a href="#">1004736</a>	TAPPING SCREW	<a href="#">4021</a>	Electronic Parts	1
<a href="#">1268458</a>	TOP COVER ASSY	<a href="#">02-01</a>	Mechanism Parts	1
<a href="#">1268459</a>	COVER	<a href="#">02-03</a>	Mechanism Parts	1
<a href="#">1268460</a>	SPRING	<a href="#">02-05</a>	Mechanism Parts	2
<a href="#">1090621</a>	ROLL	<a href="#">02-06</a>	Mechanism Parts	2
<a href="#">1268460</a>	SPRING	<a href="#">02-07</a>	Mechanism Parts	2
<a href="#">1090621</a>	ROLL	<a href="#">02-08</a>	Mechanism Parts	2
<a href="#">1268531</a>	HOLDER	<a href="#">02-09</a>	Mechanism Parts	1
<a href="#">2108411</a>	PHOTO INTERRUPTER	<a href="#">02-12</a>	Mechanism Parts	1
<a href="#">1268534</a>	ACTUATOR	<a href="#">02-13</a>	Mechanism Parts	1
<a href="#">1268539</a>	TORSION SPRING	<a href="#">02-14</a>	Mechanism Parts	1
<a href="#">1268547</a>	HOUSING	<a href="#">02-15</a>	Mechanism Parts	1
<a href="#">1268550</a>	PRESSURE SPRING	<a href="#">02-16</a>	Mechanism Parts	2
<a href="#">1104888</a>	BUSHING	<a href="#">02-17</a>	Mechanism Parts	2
<a href="#">2109288</a>	FUSING UNIT	<a href="#">02-18</a>	Mechanism Parts	1
<a href="#">1268554</a>	ROLLER	<a href="#">02-19</a>	Mechanism Parts	1
<a href="#">2085726</a>	WIRE HARNESS ASSY	<a href="#">02-20</a>	Mechanism Parts	1
<a href="#">2086063</a>	TERMINAL	<a href="#">02-21</a>	Mechanism Parts	1
<a href="#">1268561</a>	GEAR	<a href="#">02-22</a>	Mechanism Parts	1
<a href="#">1268562</a>	BUSHING	<a href="#">02-23</a>	Mechanism Parts	1
<a href="#">1263036</a>	SEPARATOR	<a href="#">02-24</a>	Mechanism Parts	4
<a href="#">1268563</a>	ROLLER	<a href="#">02-25</a>	Mechanism Parts	1
<a href="#">2086064</a>	TERMINAL	<a href="#">02-26</a>	Mechanism Parts	1
<a href="#">2106217</a>	TERMINAL	<a href="#">02-26</a>	Mechanism Parts	1
<a href="#">1042716</a>	PRESSURE SPRING	<a href="#">02-27</a>	Mechanism Parts	4
<a href="#">2085728</a>	THERMISTOR	<a href="#">02-28</a>	Mechanism Parts	1
<a href="#">1268567</a>	GUIDE	<a href="#">02-29</a>	Mechanism Parts	1
<a href="#">1268570</a>	BRUSH	<a href="#">02-30</a>	Mechanism Parts	1
<a href="#">1268572</a>	HOUSING	<a href="#">02-31</a>	Mechanism Parts	1
<a href="#">1420021</a>	HOUSING	<a href="#">02-31</a>	Mechanism Parts	1
<a href="#">1268573</a>	SPRING	<a href="#">02-32</a>	Mechanism Parts	1
<a href="#">2086065</a>	CONTACT	<a href="#">02-33</a>	Mechanism Parts	1
<a href="#">2086066</a>	CONTACT	<a href="#">02-34</a>	Mechanism Parts	1
<a href="#">2086073</a>	RESISTOR	<a href="#">02-35</a>	Mechanism Parts	1
<a href="#">1268586</a>	BUSHING	<a href="#">02-36</a>	Mechanism Parts	1
<a href="#">1420022</a>	BUSHING	<a href="#">02-36</a>	Mechanism Parts	1

<a href="#">2086074</a>	TERMINAL	<a href="#">02-37</a>	Mechanism Parts	1
<a href="#">2089783</a>	HEATER 220V	<a href="#">02-38</a>	Mechanism Parts	1
<a href="#">2060245</a>	THERMAL SWITCH	<a href="#">02-39</a>	Mechanism Parts	1
<a href="#">1268590</a>	GUIDE	<a href="#">02-40</a>	Mechanism Parts	1
<a href="#">1268594</a>	ROLLER	<a href="#">02-42</a>	Mechanism Parts	1
<a href="#">1268595</a>	GEAR	<a href="#">02-44</a>	Mechanism Parts	1
<a href="#">1268596</a>	GEAR	<a href="#">02-45</a>	Mechanism Parts	1
<a href="#">1268461</a>	GUIDE	<a href="#">02-46</a>	Mechanism Parts	1
<a href="#">1290192</a>	NEUTRALIZING BRUSH	<a href="#">02-48</a>	Mechanism Parts	2
<a href="#">1294474</a>	SPACER	<a href="#">02-53</a>	Mechanism Parts	1
<a href="#">1430670</a>	TRANSFER ASSY	<a href="#">03-01</a>	Mechanism Parts	1
<a href="#">1268640</a>	GUIDE	<a href="#">03-02</a>	Mechanism Parts	1
<a href="#">2085732</a>	WIRE HARNESS ASSY	<a href="#">03-03</a>	Mechanism Parts	1
<a href="#">1268597</a>	SPACER	<a href="#">03-04</a>	Mechanism Parts	2
<a href="#">1268598</a>	CONDUCTIVE MEMBER	<a href="#">03-05</a>	Mechanism Parts	1
<a href="#">1268600</a>	BUSHING	<a href="#">03-06</a>	Mechanism Parts	1
<a href="#">1268602</a>	CONTACT	<a href="#">03-07</a>	Mechanism Parts	1
<a href="#">1268605</a>	PRESSURE SPRING	<a href="#">03-08</a>	Mechanism Parts	1
<a href="#">1268607</a>	PRESSURE SPRING	<a href="#">03-09</a>	Mechanism Parts	2
<a href="#">1268608</a>	HOLDER	<a href="#">03-10</a>	Mechanism Parts	1
<a href="#">1268635</a>	NEUTRALIZING NEEDLE	<a href="#">03-11</a>	Mechanism Parts	1
<a href="#">1268636</a>	GUIDE PLATE	<a href="#">03-12</a>	Mechanism Parts	1
<a href="#">1265508</a>	TRANSFER ROLLER	<a href="#">03-13</a>	Mechanism Parts	1
<a href="#">1268637</a>	BUSHING	<a href="#">03-14</a>	Mechanism Parts	1
<a href="#">1268638</a>	PRESSURE SPRING	<a href="#">03-15</a>	Mechanism Parts	1
<a href="#">1268639</a>	GEAR	<a href="#">03-16</a>	Mechanism Parts	1
<a href="#">1268641</a>	GEAR	<a href="#">03-17</a>	Mechanism Parts	1
<a href="#">2085164</a>	MICRO-SWITCH	<a href="#">03-18</a>	Mechanism Parts	1
<a href="#">1268642</a>	HOLDER	<a href="#">03-19</a>	Mechanism Parts	2
<a href="#">1268643</a>	ROLL	<a href="#">03-20</a>	Mechanism Parts	2
<a href="#">1268644</a>	PRESSURE SPRING	<a href="#">03-21</a>	Mechanism Parts	2
<a href="#">1090655</a>	PRESSURE SPRING	<a href="#">03-22</a>	Mechanism Parts	1
<a href="#">2108412</a>	SOLENOID	<a href="#">03-24</a>	Mechanism Parts	1
<a href="#">2085733</a>	WIRE HARNESS ASSY	<a href="#">03-25</a>	Mechanism Parts	1
<a href="#">1268646</a>	GUIDE	<a href="#">03-26</a>	Mechanism Parts	1
<a href="#">1268647</a>	STOPPER	<a href="#">03-27</a>	Mechanism Parts	2
<a href="#">1268648</a>	GEAR	<a href="#">03-28</a>	Mechanism Parts	1
<a href="#">2085734</a>	CONNECTOR PIN	<a href="#">03-29</a>	Mechanism Parts	1
<a href="#">2108599</a>	PAPER TAKE-UP ASSY	<a href="#">03-30</a>	Mechanism Parts	1
<a href="#">1268658</a>	HOLDER	<a href="#">03-31</a>	Mechanism Parts	1
<a href="#">1268659</a>	TRAY	<a href="#">03-32</a>	Mechanism Parts	1
<a href="#">2108404</a>	PHOTO INTERRUPTER	<a href="#">03-33</a>	Mechanism Parts	1
<a href="#">2085735</a>	WIRE HARNESS ASSY	<a href="#">03-34</a>	Mechanism Parts	1
<a href="#">2085736</a>	WIRE HARNESS ASSY	<a href="#">03-35</a>	Mechanism Parts	1
<a href="#">1268661</a>	PRESSURE SPRING	<a href="#">03-36</a>	Mechanism Parts	2
<a href="#">1268664</a>	ACTUATOR	<a href="#">03-37</a>	Mechanism Parts	1
<a href="#">1265510</a>	ROLLER	<a href="#">03-38</a>	Mechanism Parts	1
<a href="#">1268649</a>	LEVER	<a href="#">03-39</a>	Mechanism Parts	1
<a href="#">1268650</a>	TENSION SPRING	<a href="#">03-40</a>	Mechanism Parts	1
<a href="#">1268651</a>	GEAR	<a href="#">03-41</a>	Mechanism Parts	1



<a href="#">1265509</a>	FRICION SHEET ASSY	<a href="#">03-43</a>	Mechanism Parts	1
<a href="#">1268656</a>	CAM	<a href="#">03-45</a>	Mechanism Parts	1
<a href="#">1429886</a>	ROLLER	<a href="#">03-46</a>	Mechanism Parts	1
<a href="#">1277273</a>	GEAR	<a href="#">03-47</a>	Mechanism Parts	1
<a href="#">1401369</a>	DRUM	<a href="#">03-48</a>	Mechanism Parts	1
<a href="#">1277276</a>	TORSION SPRING	<a href="#">03-49</a>	Mechanism Parts	1
<a href="#">1277277</a>	RACHET	<a href="#">03-50</a>	Mechanism Parts	1
<a href="#">1401370</a>	SHAFT	<a href="#">03-51</a>	Mechanism Parts	1
<a href="#">1277278</a>	CAM	<a href="#">03-52</a>	Mechanism Parts	1
<a href="#">1277279</a>	CAM	<a href="#">03-53</a>	Mechanism Parts	1
<a href="#">1268654</a>	TENSION SPRING	<a href="#">03-54</a>	Mechanism Parts	1
<a href="#">1277280</a>	PLATE SPRING	<a href="#">03-55</a>	Mechanism Parts	1
<a href="#">1277281</a>	FRICION SHEET	<a href="#">03-56</a>	Mechanism Parts	1
<a href="#">1290190</a>	SHIELD	<a href="#">03-57</a>	Mechanism Parts	1
<a href="#">1048631</a>	SCREW	<a href="#">03-58</a>	Mechanism Parts	1
<a href="#">2110007</a>	RIGHT FRAME ASSY	<a href="#">04-01</a>	Mechanism Parts	1
<a href="#">2110009</a>	LEFT FRAME ASSY	<a href="#">04-03</a>	Mechanism Parts	1
<a href="#">1268716</a>	HOLDER	<a href="#">04-04</a>	Mechanism Parts	1
<a href="#">1268717</a>	GEAR	<a href="#">04-05</a>	Mechanism Parts	2
<a href="#">1268718</a>	GEAR	<a href="#">04-06</a>	Mechanism Parts	1
<a href="#">1268720</a>	GEAR	<a href="#">04-07</a>	Mechanism Parts	1
<a href="#">1268721</a>	HOLDER	<a href="#">04-08</a>	Mechanism Parts	1
<a href="#">1268722</a>	GEAR	<a href="#">04-09</a>	Mechanism Parts	1
<a href="#">1268723</a>	GEAR	<a href="#">04-10</a>	Mechanism Parts	1
<a href="#">1268724</a>	GEAR	<a href="#">04-11</a>	Mechanism Parts	1
<a href="#">1268725</a>	GEAR	<a href="#">04-12</a>	Mechanism Parts	1
<a href="#">1268726</a>	GEAR	<a href="#">04-13</a>	Mechanism Parts	1
<a href="#">1268727</a>	GEAR	<a href="#">04-14</a>	Mechanism Parts	1
<a href="#">1268728</a>	GEAR	<a href="#">04-15</a>	Mechanism Parts	1
<a href="#">1268729</a>	GEAR	<a href="#">04-16</a>	Mechanism Parts	1
<a href="#">1268730</a>	DUCT	<a href="#">04-18</a>	Mechanism Parts	1
<a href="#">2085747</a>	FAN MOTER	<a href="#">04-19</a>	Mechanism Parts	1
<a href="#">2108413</a>	PULSE MOTER	<a href="#">04-20</a>	Mechanism Parts	1
<a href="#">2085749</a>	WIRE HARNESS ASSY	<a href="#">04-21</a>	Mechanism Parts	1
<a href="#">1268669</a>	RUBBER FOOT	<a href="#">04-22</a>	Mechanism Parts	4
<a href="#">1294064</a>	FRAME	<a href="#">04-23</a>	Mechanism Parts	1
<a href="#">1268719</a>	HOLDER	<a href="#">04-24</a>	Mechanism Parts	1
<a href="#">1268732</a>	GUIDE	<a href="#">04-26</a>	Mechanism Parts	1
<a href="#">1268736</a>	LIFTING PLATE	<a href="#">04-27</a>	Mechanism Parts	1
<a href="#">1268740</a>	FRICION SHEET	<a href="#">04-29</a>	Mechanism Parts	1
<a href="#">1268734</a>	REGULATING PLATE ASSY	<a href="#">04-30</a>	Mechanism Parts	1
<a href="#">1268739</a>	RACK	<a href="#">04-32</a>	Mechanism Parts	2
<a href="#">1090635</a>	GEAR	<a href="#">04-33</a>	Mechanism Parts	1
<a href="#">1268737</a>	REGULATING PLATE	<a href="#">04-34</a>	Mechanism Parts	1
<a href="#">1268738</a>	REGULATING PLATE	<a href="#">04-36</a>	Mechanism Parts	1
<a href="#">1268665</a>	BRACKET	<a href="#">04-38</a>	Mechanism Parts	1
<a href="#">2085739</a>	WIRE HARNESS ASSY	<a href="#">04-39</a>	Mechanism Parts	1
<a href="#">1294065</a>	FRAME	<a href="#">04-40</a>	Mechanism Parts	1
<a href="#">1268668</a>	HOLDER	<a href="#">04-42</a>	Mechanism Parts	1
<a href="#">1268670</a>	CONTACT	<a href="#">04-44</a>	Mechanism Parts	1

<a href="#">1268671</a>	CONTACT	<a href="#">04-45</a>	Mechanism Parts	1
<a href="#">1268672</a>	CONTACT	<a href="#">04-46</a>	Mechanism Parts	1
<a href="#">1268673</a>	CONTACT	<a href="#">04-47</a>	Mechanism Parts	4
<a href="#">2085740</a>	WIRE HARNESS ASSY	<a href="#">04-48</a>	Mechanism Parts	1
<a href="#">1268711</a>	CONTACT	<a href="#">04-49</a>	Mechanism Parts	1
<a href="#">2108414</a>	WIRE HARNESS ASSY	<a href="#">04-50</a>	Mechanism Parts	1
<a href="#">1268712</a>	GUIDE	<a href="#">04-51</a>	Mechanism Parts	1
<a href="#">1268713</a>	EARTH GROUND	<a href="#">04-52</a>	Mechanism Parts	1
<a href="#">2085742</a>	MICRO-SWITCH	<a href="#">04-53</a>	Mechanism Parts	1
<a href="#">2085743</a>	WIRE HARNESS ASSY	<a href="#">04-54</a>	Mechanism Parts	1
<a href="#">1294063</a>	REINFORCE PLATE	<a href="#">04-55</a>	Mechanism Parts	1
<a href="#">1004686</a>	SCREW	<a href="#">1305</a>	Mechanism Parts	1
<a href="#">1268827</a>	TAPPING SCREW	<a href="#">3340</a>	Mechanism Parts	1
<a href="#">1028751</a>	SCREW	<a href="#">3504</a>	Mechanism Parts	1
<a href="#">1012096</a>	TAPPING SCREW	<a href="#">3541</a>	Mechanism Parts	1
<a href="#">5034317</a>	GUIDE FIX PARTS	<a href="#">NONFIG</a>	Packing Material	1
<a href="#">5034321</a>	GUIDE FIX PARTS LEFT	<a href="#">NONFIG</a>	Packing Material	1

Part Code	Part Name	Ref No.	Category	Qty	Remark
-----------	-----------	---------	----------	-----	--------