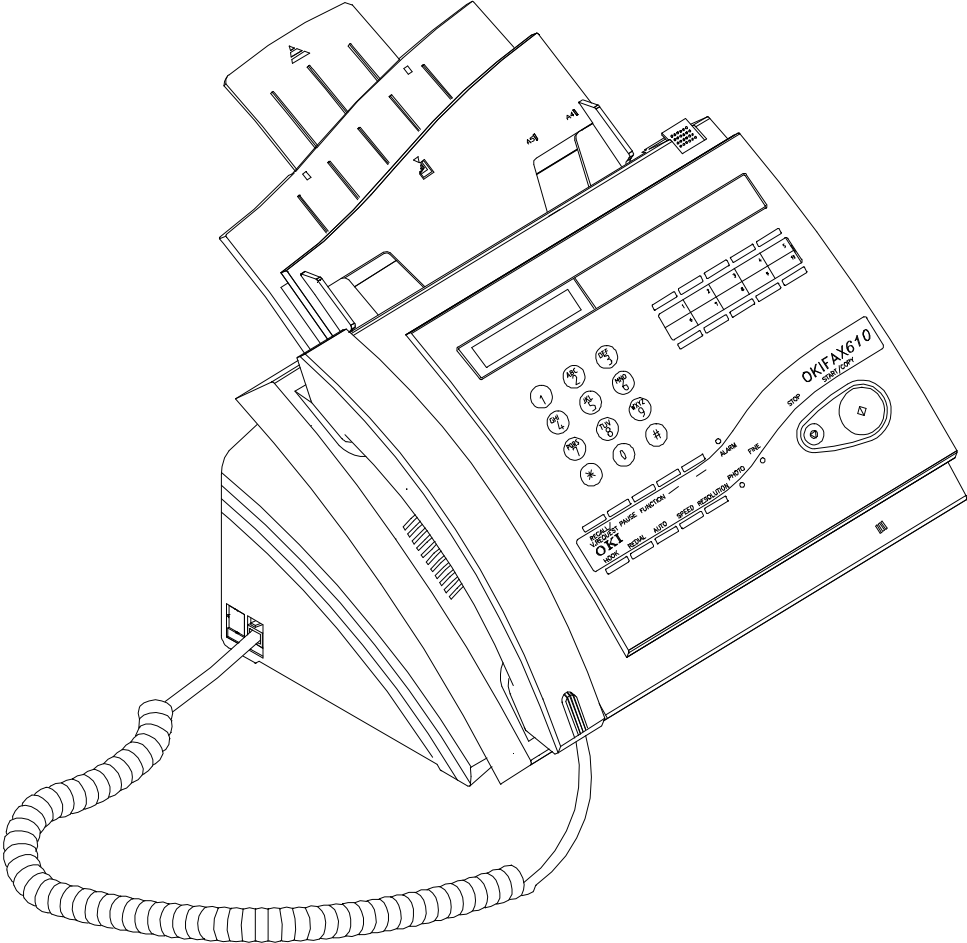
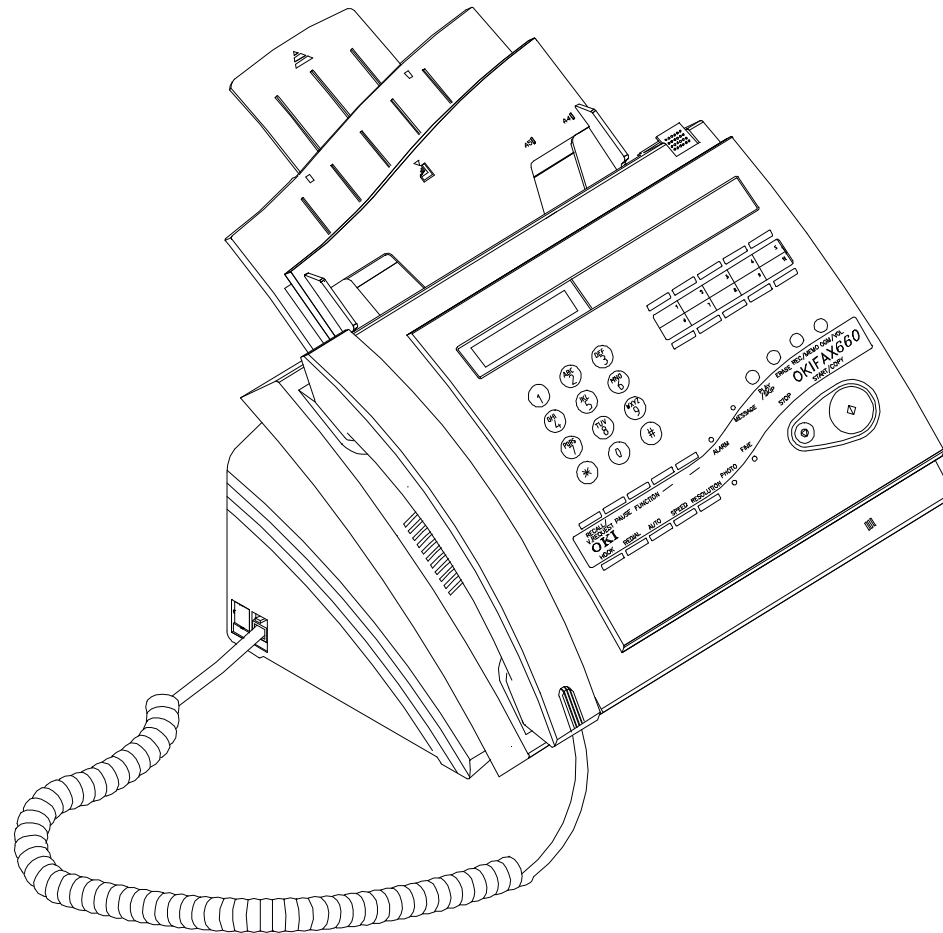


Okifax 610-660

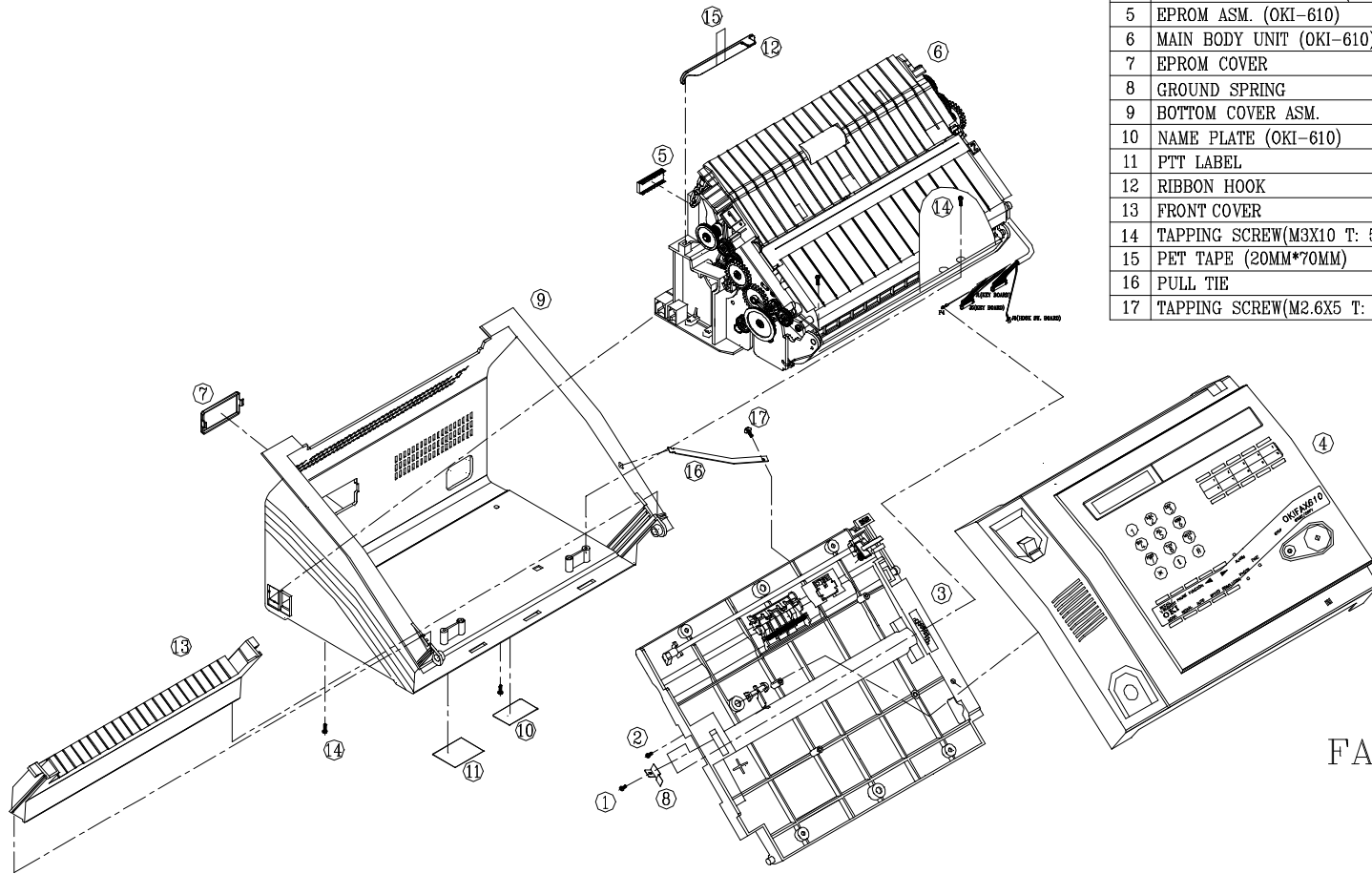


Okifax 610-660



Okifax 610-660

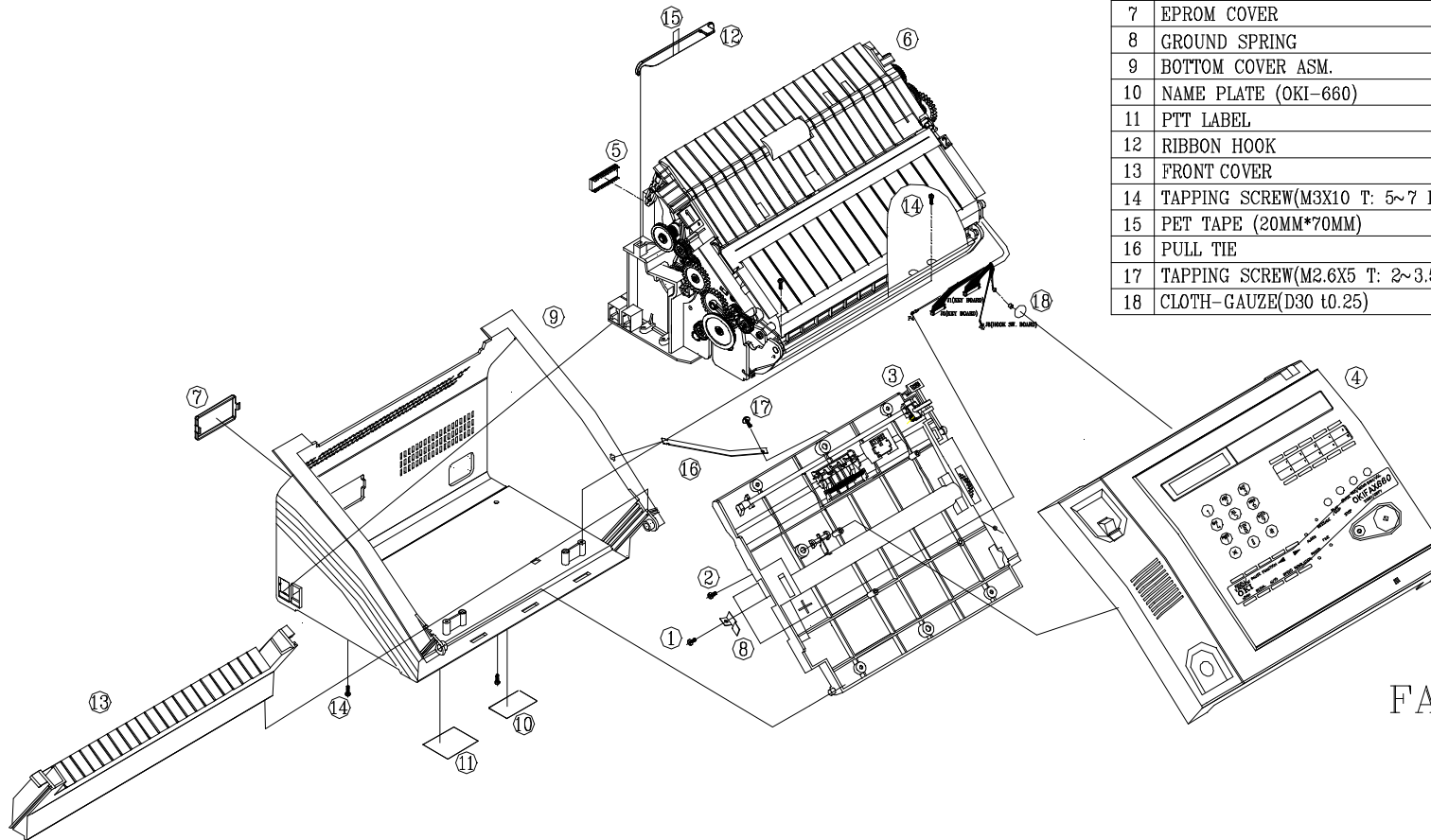
ITEM	NAME	B/M NUMBER	Q'TY
1	TAPPING SCREW(M3X6 T: 5~7 Kgf-cm)	7190050304	1
2	TAPPING SCREW(M3X8 T: 5~7 Kgf-cm)	7190050305	6
3	BACK COVER ASM.	0482346310	1
4	OPERATION PANEL ASM.(OKI-610)	0482346330	1
5	EPROM ASM. (OKI-610)	0482347800	1
6	MAIN BODY UNIT (OKI-610)	0482346340	1
7	EPROM COVER	0482370010	1
8	GROUND SPRING	0482345617	1
9	BOTTOM COVER ASM.	0482346320	1
10	NAME PLATE (OKI-610)	0482347610	1
11	PTT LABEL	0482347660	1
12	RIBBON HOOK	0482345517	1
13	FRONT COVER	0482346530	1
14	TAPPING SCREW(M3X10 T: 5~7 Kgf-cm)	7190050306	4
15	PET TAPE (20MM*70MM)	0482345730	1
16	PULL TIE	0482346536	1
17	TAPPING SCREW(M2.6X5 T: 2~3.5 Kgf-cm)	0482350640	1



FACSIMILE UNIT
(OKIFAX 610)

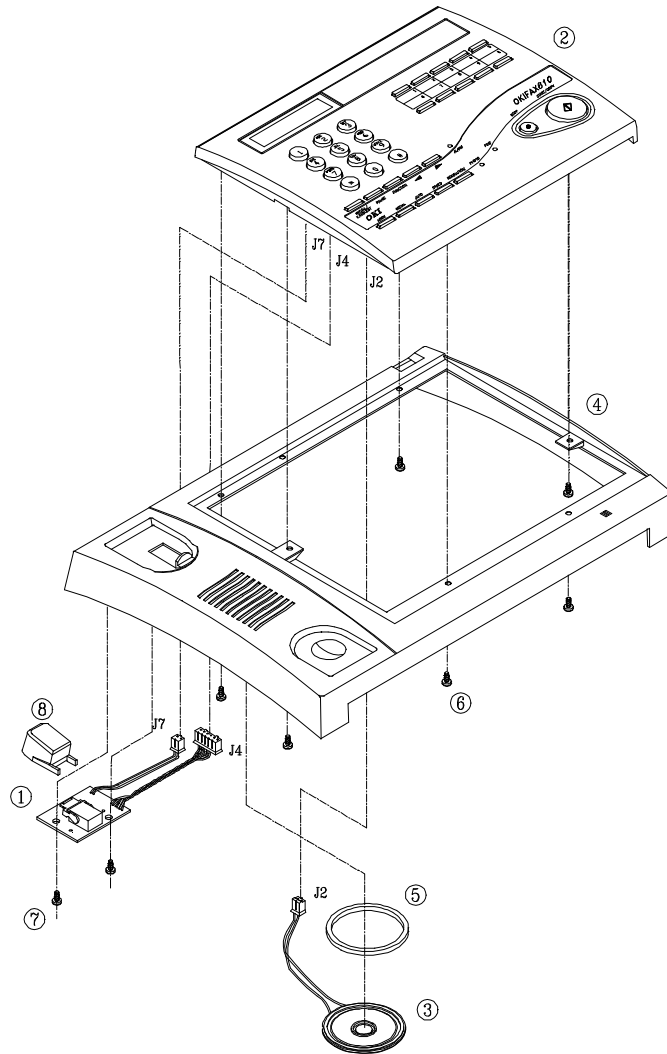
Okifax 610-660

ITEM	NAME	B/M NUMBER	Q'TY
1	TAPPING SCREW(M3X6 T: 5~7 Kgf-cm)	7190050304	1
2	TAPPING SCREW(M3X8 T: 5~7 Kgf-cm)	7190050305	6
3	BACK COVER ASM.	0482346310	1
4	OPERATION PANEL ASM.(OKI-660)	0482346335	1
5	EPROM ASM. (OKI-660)	0482347900	1
6	MAIN BODY UNIT (OKI-660)	0482346350	1
7	EPROM COVER	0482370010	1
8	GROUND SPRING	0482345617	1
9	BOTTOM COVER ASM.	0482346320	1
10	NAME PLATE (OKI-660)	0482347611	1
11	PTT LABEL	0482347680	1
12	RIBBON HOOK	0482345517	1
13	FRONT COVER	0482346530	1
14	TAPPING SCREW(M3X10 T: 5~7 Kgf-cm)	7190050306	4
15	PET TAPE (20MM*70MM)	0482345730	1
16	PULL TIE	0482346536	1
17	TAPPING SCREW(M2.6X5 T: 2~3.5 Kgf-cm)	0482350640	1
18	CLOTH-GAUZE(D30 t0.25)	0482352002	1



FACSIMILE UNIT
(OKIFAX 660)

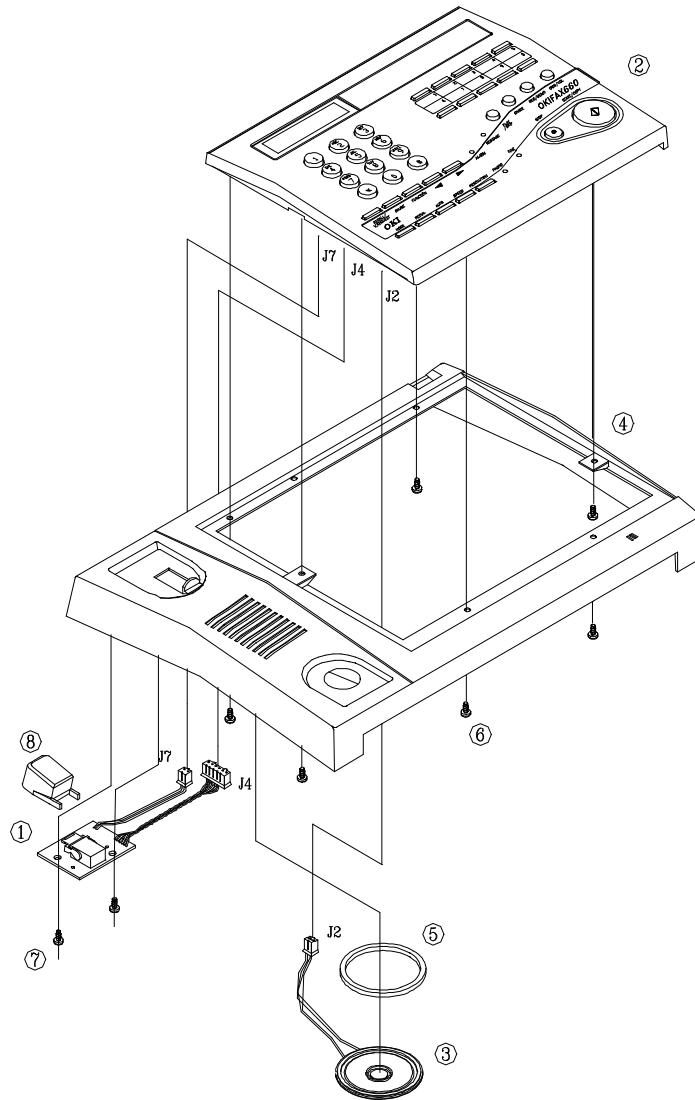
Okifax 610-660



ITEM	NAME	B/M NUMBER	Q'TY
1	HOOK SWITCH ASM.	0482347470	1
2	OPERATION PANEL SUB ASM.	0482346370	1
3	SPEAKER ASM.	0482345008	1
4	UPPER COVER	0482346580	1
5	EVA	0482345937	1
6	TAPPING SCREW (M3X6 \pm 0: 5~7 Kgf-cm)	7190050304	6
7	TAPPING SCREW (M2.6X6 \pm 0: 1.5~2.5 Kgf-cm)	7031130652	2
8	HOOK SW. CAP	0482346590	1

OPERATION PANEL ASM.
(OKIFAX 610)

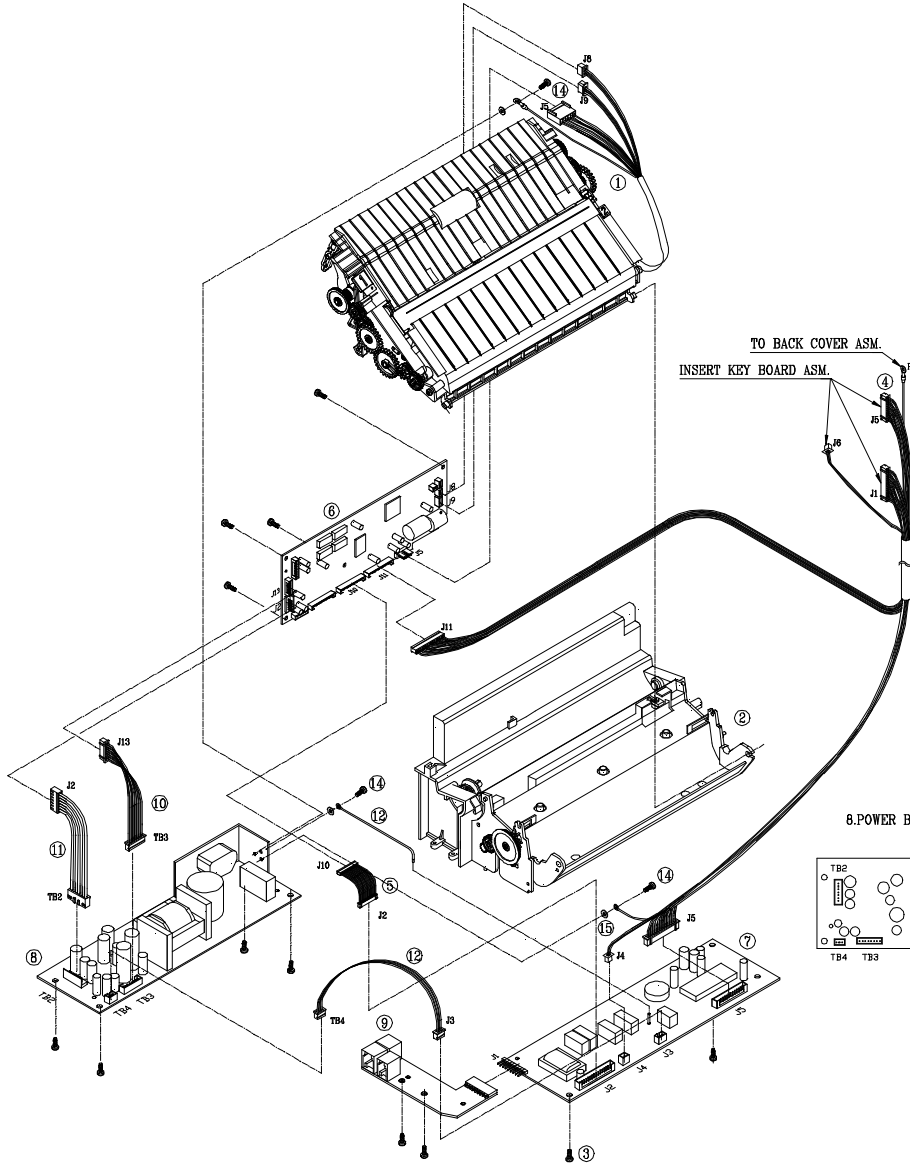
Okifax 610-660



ITEM	NAME	B/M NUMBER	Q'TY
1	HOOK SWITCH ASM.	0482347470	1
2	OPERATION PANEL SUB ASM.	0482346380	1
3	SPEAKER ASM.	0482345008	1
4	UPPER COVER	0482346580	1
5	EVA	0482345937	1
6	TAPPING SCREW (M3X6 \pm 0: 5~7 Kgf-cm)	7190050304	6
7	TAPPING SCREW (M2.6X6 \pm 0: 1.5~2.5 Kgf-cm)	7031130652	2
8	HOOK SW. CAP	0482346590	1

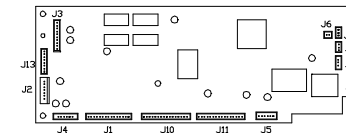
OPERATION PANEL ASM.
(OKIFAX 660)

Okifax 610-660

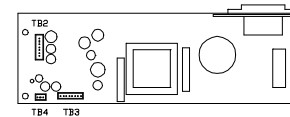


ITEM	NAME	B/M NUMBER	Q'TY
1	UPPER FRAME ASM.	0482346075	1
2	LOWER FRAME ASM.	0482346066	1
3	TAPPING SCREW (M3X8 ±0: 9~11 Kgf-cm)	7190050305	12
4	CABLE ASM. (K/B-M/B-TEL/B)(OKI-610)	0482347119	1
5	CABLE ASM. (NCU-M/B)(16P)	0482347115	1
6	MAIN BOARD ASM.(OKI-610)	0482347020	1
7	NCU/TEL BOARD ASM. (OKI-610)	0482347200	1
8	POWER BOARD ASM.	6930010100	1
9	LINE SOCKET ASM.	0482347440	1
10	CABLE ASM. (POWER-M/B)(8P)	0482347107	1
11	CABLE ASM. (POWER-M/B)(7P)	0482347114	1
12	CABLE ASM. POWER-NCU (GROUND WIRE)	0482347111	1
13	CABLE ASM. POWER-NCU (3P)	0482347102	1
14	TAPPING SCREW (M3X6 ±0: 8~9.5 Kgf-cm)	7131160652	3
15	WASHER M3.0	7101100302	3

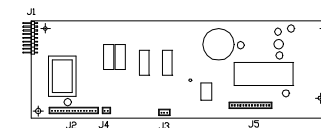
6. MAIN BOARD ASM. (OKI-610)



8. POWER BOARD ASM.

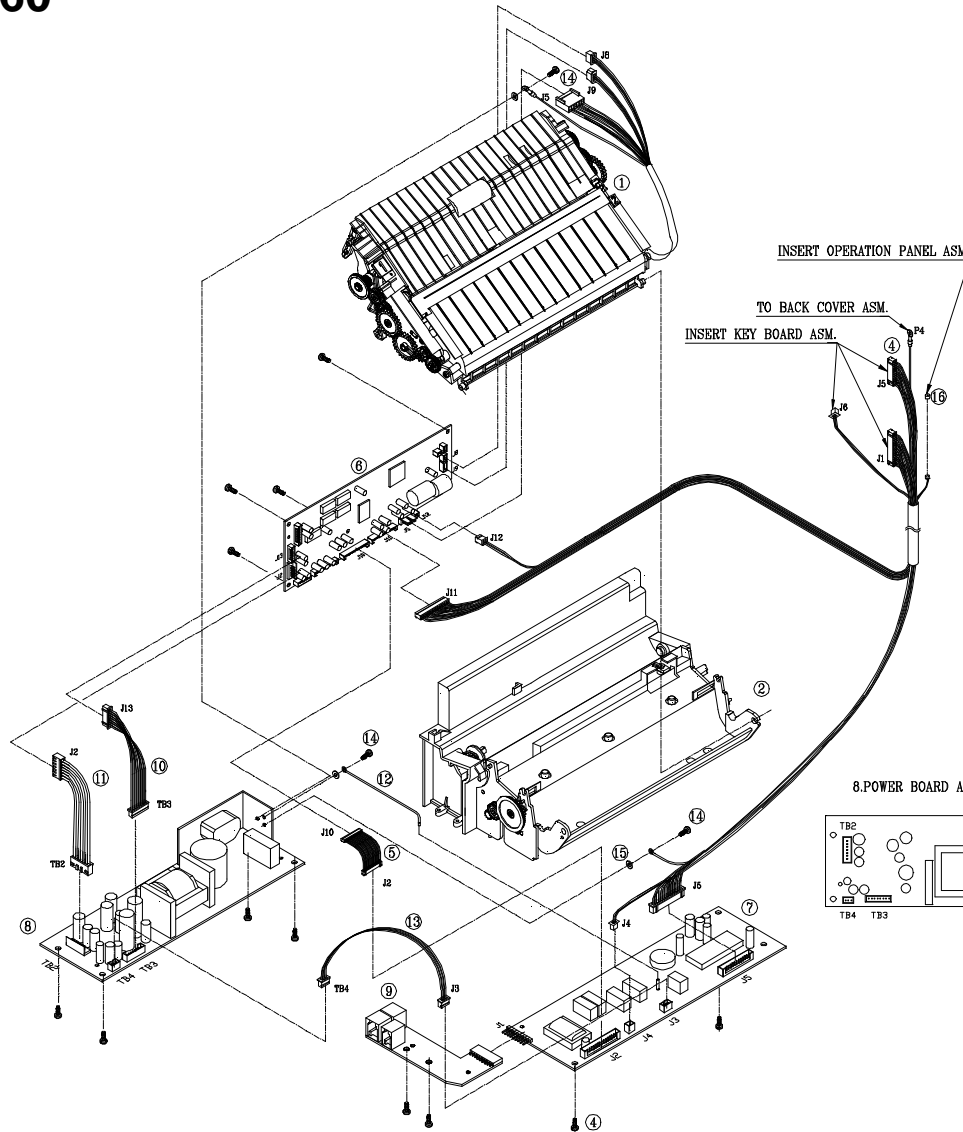


7. NCU/TEL BOARD ASM.



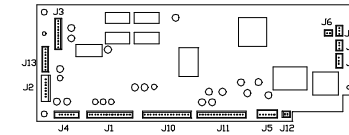
MAIN BODY UNIT
(OKIFAX 610)

Okifax 610-660

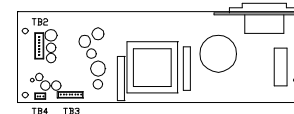


ITEM	NAME	B/M NUMBER	Q'TY
1	UPPER FRAME ASM.	0482346075	1
2	LOWER FRAME ASM.	0482346066	1
3	TAPPING SCREW (M3X8 ±0: 9~11 Kgf-cm)	7190050305	12
4	CABLE ASM. (K/B-M/B-TEL/B-MIC)(OKI-660)	0482347117	1
5	CABLE ASM. (NCU-M/B)(16P)	0482347115	1
6	MAIN BOARD ASM.(OKI-660)	0482347021	1
7	NCU/TEL BOARD ASM. (OKI-660)	0482347250	1
8	POWER BOARD ASM.	8930010100	1
9	LINE SOCKET ASM.	0482347440	1
10	CABLE ASM. (POWER-M/B)(8P)	0482347107	1
11	CABLE ASM. (POWER-M/B)(7P)	0482347114	1
12	CABLE ASM. (POWER-NCU) (GROUND WIRE)	0482347111	1
13	CABLE ASM. (POWER-NCU) (3P)	0482347102	1
14	TAPPING SCREW (M3X8 ±0: 8~9.5 Kgf-cm)	7131160652	3
15	WASHER M3.0	7101100302	3
16	MIC. HOLDER	0482352011	1

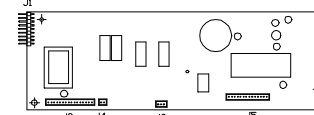
6. MAIN BOARD ASM. (OKI-660)



8. POWER BOARD ASM.

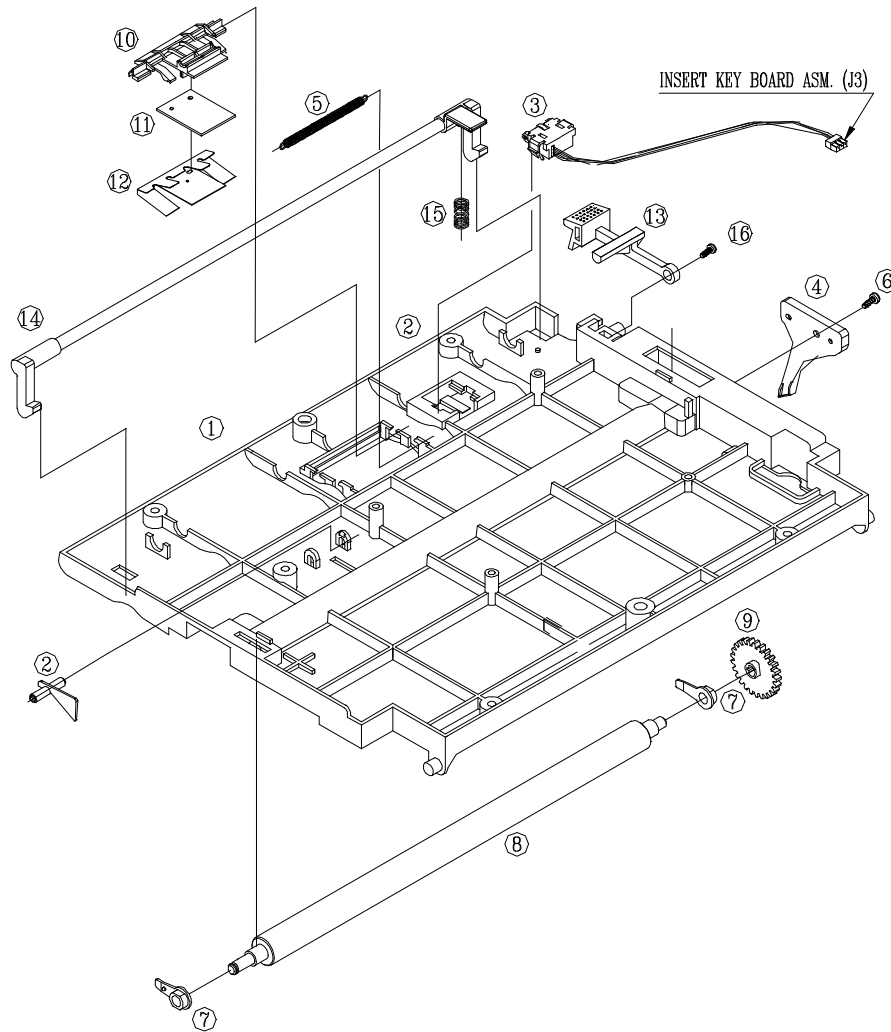


7. NCU/TEL BOARD ASM.



MAIN BODY UNIT
(OKIFAX 660)

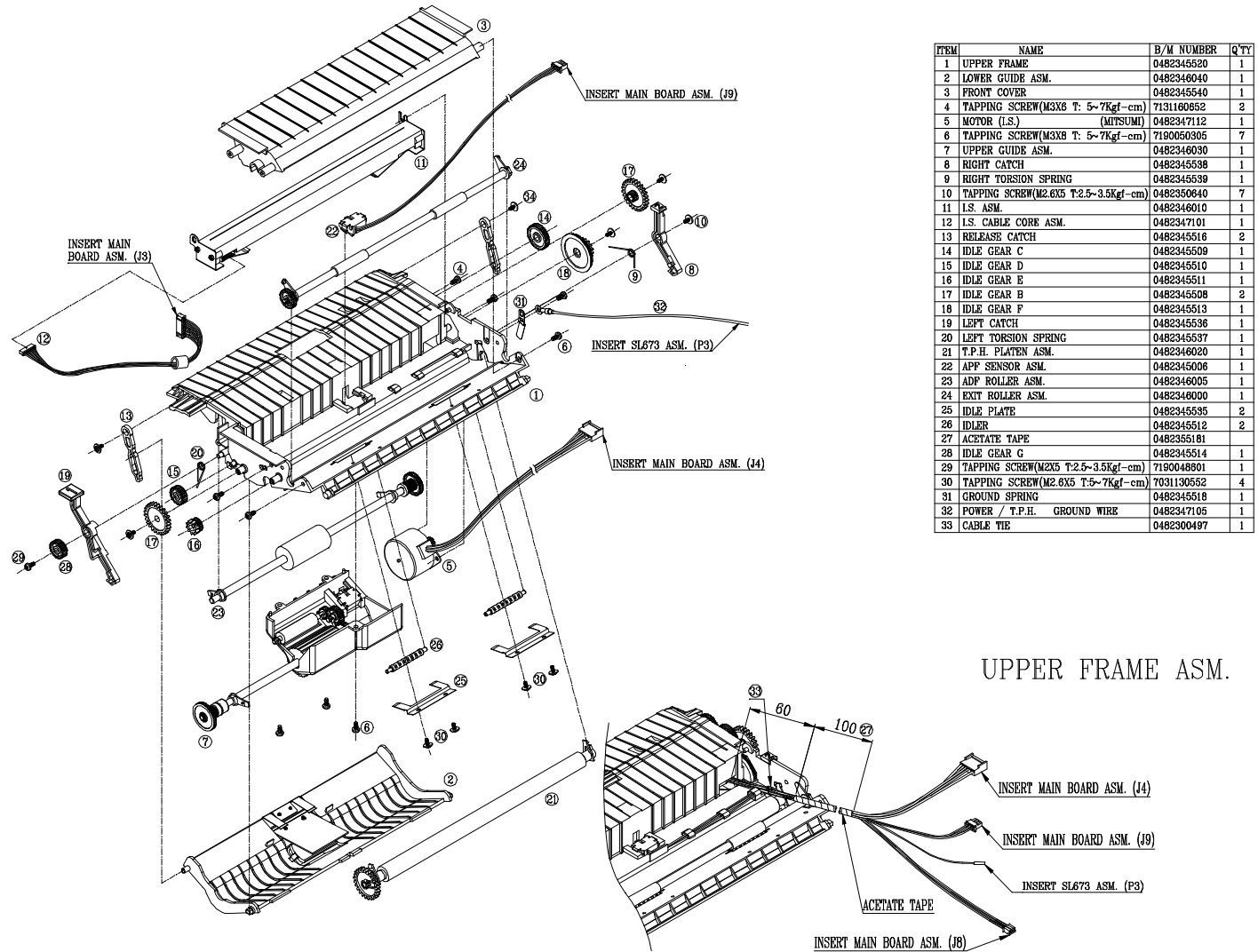
Okifax 610-660



ITEM	NAME	B/M NUMBER	Q'TY
1	BACK COVER	0482346560	1
2	ADF SENSOR ARM	0482346563	1
3	DOC. SENSOR ASM.	6942002100	1
4	SWITCH ARM	0482345613	1
5	ADF EXTENSION SPRING	0482351171	1
6	TAPPING SCREW (M3X8 \pm 0: 8~9.5 Kgf-cm)	7190050305	1
7	BUSHING	0482350401	2
8	I.S. PLATEN	0482345590	1
9	PLATEN DRIVEN GEAR	0482345506	1
10	BACKING PLATE	0482340635	1
11	SEPARATION PLATE	0482345558	1
12	CLAMPING PLATE	0482345619	1
13	BUTTON	0482346562	1
14	O.P. CATCH	0482345615	1
15	COMPRESSION SPRING	0482345585	1
16	TAPPING SCREW (M2.6X5 \pm 0: 2.5~3.5 Kgf-cm)	0482350640	1

BACK COVER ASM.

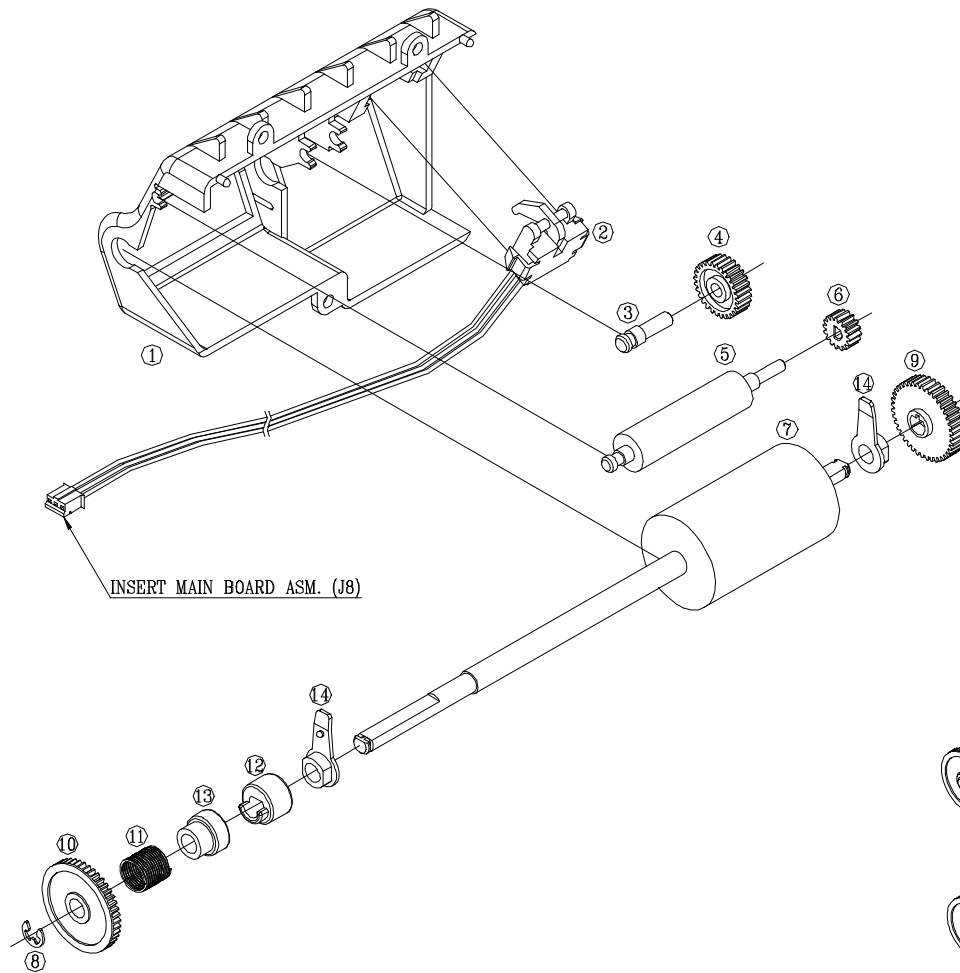
Okifax 610-660



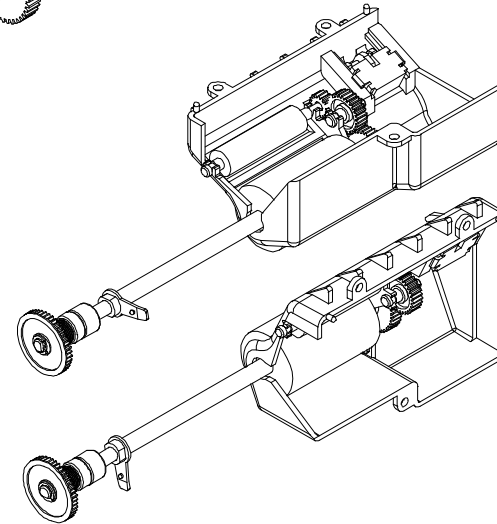
ITEM	NAME	B/M NUMBER	Q'TY
1	UPPER FRAME	0482345520	1
2	LOWER GUIDE ASM.	0482346040	1
3	FRONT COVER	0482345540	1
4	TAPPING SCREW(M3X6 T: 5~7Kgf-cm)	7131160852	2
5	MOTOR (I.S.) (MITSUMI)	0482347112	1
6	TAPPING SCREW(M3X8 T: 5~7Kgf-cm)	7190050305	7
7	UPPER GUIDE ASM.	0482346030	1
8	RIGHT CATCH	0482345538	1
9	RIGHT TORSION SPRING	0482345539	1
10	TAPPING SCREW(M2.6X5 T:2.5~3.5Kgf-cm)	0482350640	7
11	I.S. ASM.	0482346010	1
12	I.S. CABLE CORE ASM.	0482347101	1
13	RELEASE CATCH	0482345516	2
14	IDLE GEAR C	0482345509	1
15	IDLE GEAR D	0482345510	1
16	IDLE GEAR E	0482345511	1
17	IDLE GEAR B	0482345508	2
18	IDLE GEAR F	0482345513	1
19	LEFT CATCH	0482345536	1
20	LEFT TORSION SPRING	0482345537	1
21	T.P.H. PLATEN ASM.	0482346020	1
22	APF SENSOR ASM.	0482345006	1
23	ADF ROLLER ASM.	0482346005	1
24	EXT ROLLER ASM.	0482346000	1
25	IDLE PLATE	0482345535	2
26	IDLER	0482345512	2
27	ACETATE TAPE	0482355181	
28	IDLE GEAR G	0482345514	1
29	TAPPING SCREW(M2X5 T:2.5~3.5Kgf-cm)	7190048601	1
30	TAPPING SCREW(M2.6X5 T:5~7Kgf-cm)	7031130552	4
31	GROUND SPRING	0482345518	1
32	POWER / T.P.H. GROUND WIRE	0482347105	1
33	CABLE TIE	0482300497	1

UPPER FRAME ASM.

Okifax 610-660

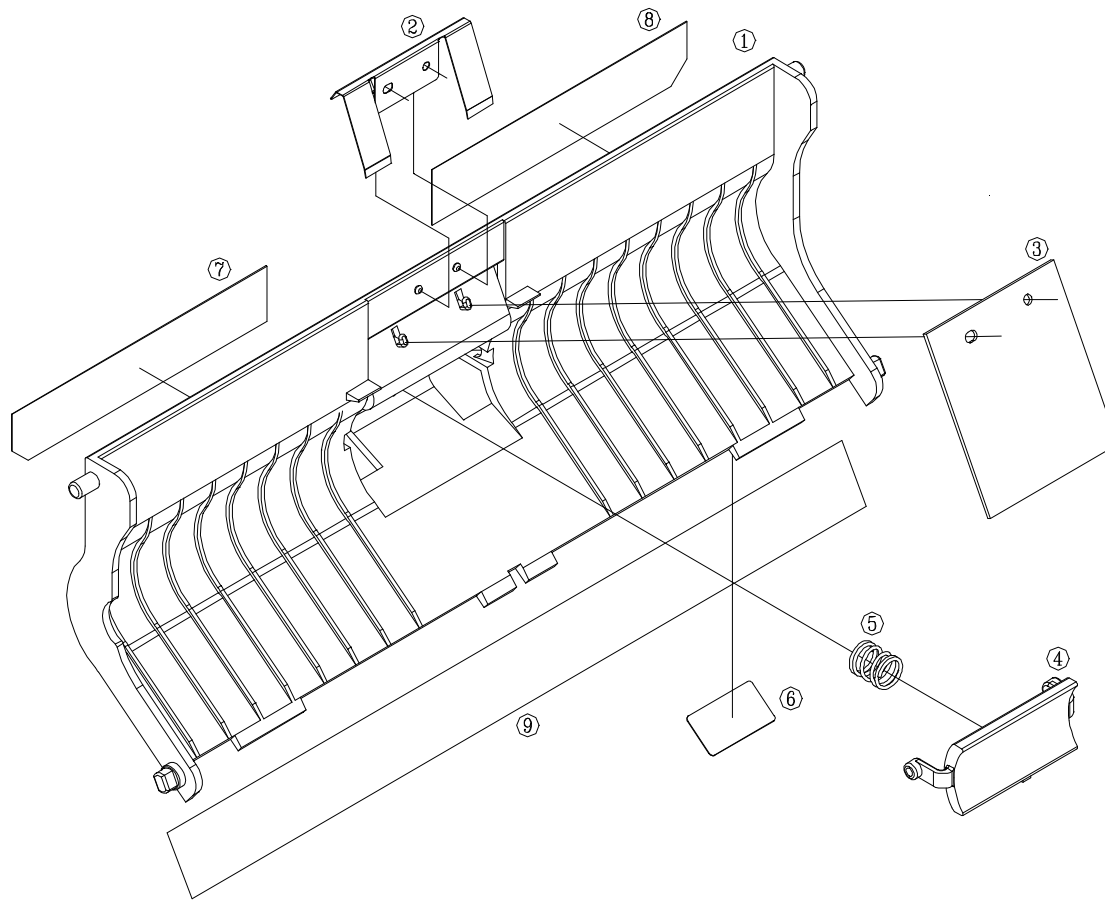


ITEM	NAME	B/M NUMBER	Q'TY
1	UPPER GUIDE	0482345564	1
2	PAPER SENSOR ASM.	0482345001	1
3	GEAR STUD	0482345560	1
4	IDLE GEAR D	0482345510	1
5	FEED ROLLER	0482345561	1
6	FEED GEAR	0482345563	1
7	APF ROLLER	0482345500	1
8	E-RING (ø3)	7105300302	1
9	TRANSMIT GEAR	0482345502	1
10	APF DRIVEN GEAR	0482345505	1
11	CLUTCH SPRING	0482322430	1
12	CLUTCH	0482345503	1
13	CLUTCH BUSHING	0482345504	1
14	BUSHING	0482350401	2

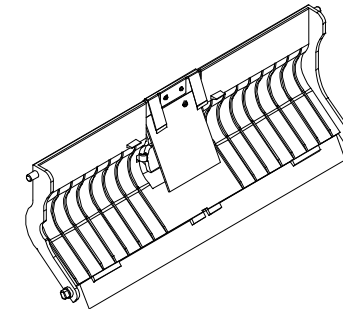
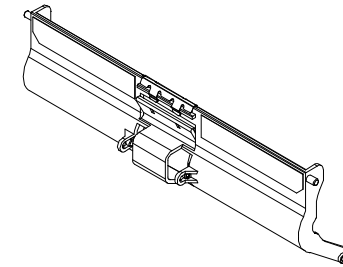


UPPER GUIDE ASM.

Okifax 610-660

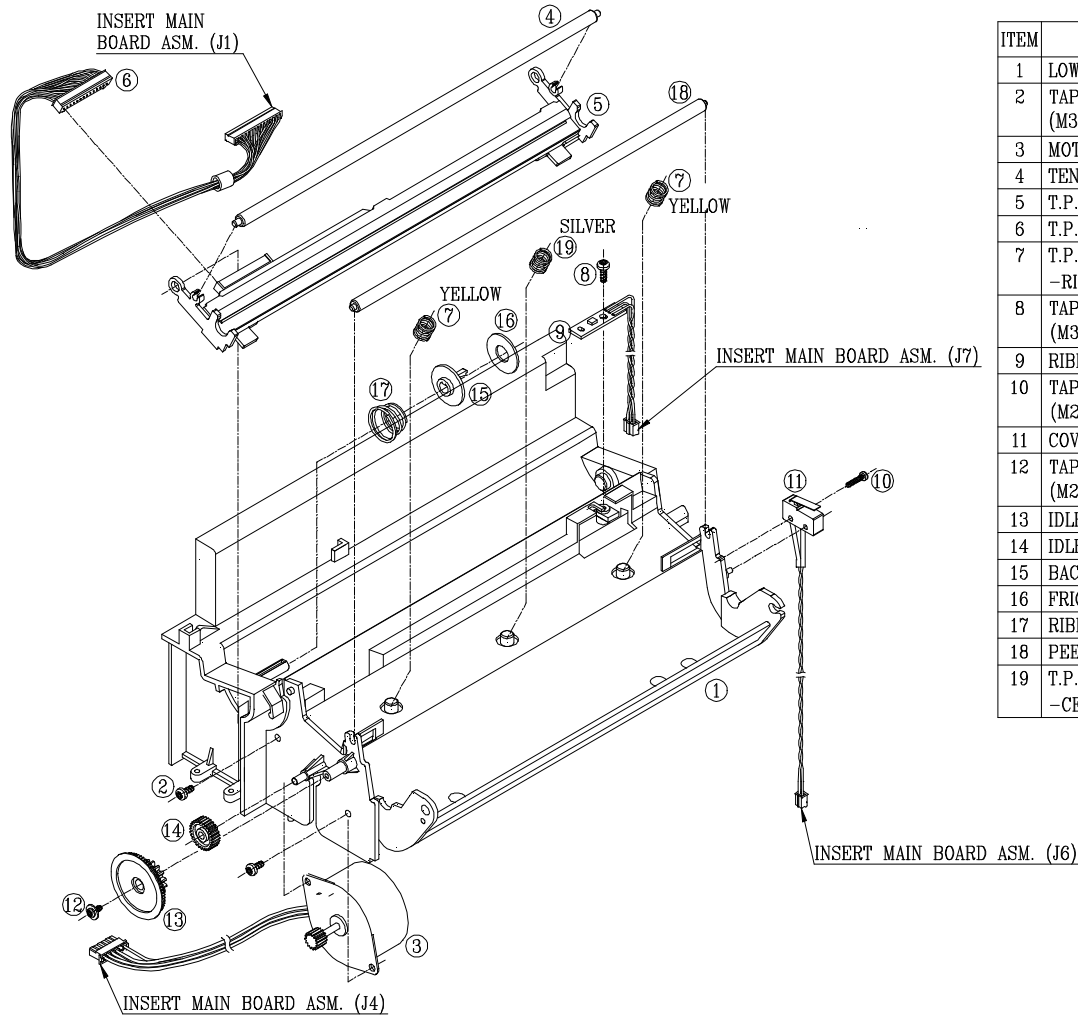


MODEL		OKIFAX 610/660	
DWG. NO.		0482346040	
ASM. DWG. NO.		0482346075	
ITEM	NAME	B/M NUMBER	Q'TY
1	LOWER GUIDE	0482345550	1
2	APF CLAMPING PLATE	0482345557	1
3	APF SEPARATION PLATE	0482345551	1
4	APF BACKING PLATE	0482345553	1
5	COMPRESSION SPRING	0482345554	1
6	REFLECTION LABEL	0482345555	1
7	PAPER RELEASE LABEL-LEFT	0482345955	1
8	PAPER RELEASE LABEL-RIGHT	0482345956	1
9	PAPER GUIDE SHEET	0482345566	1



LOWER GUIDE ASM.

Okifax 610-660



ITEM	NAME	B/M NUMBER	Q'TY
1	LOWER FRAME SUB ASM.	0482346068	1
2	TAPTITE SCREW (M3X6 T: 8~10 Kgf-cm)	7131160652	2
3	MOTOR (T.P.H.)(MITSUMI)	0482345041	1
4	TENSION BAR	0482345575	1
5	T.P.H. ASM.	0482346050	1
6	T.P.H. CABLE CORE ASM.	0482345023	1
7	T.P.H. COMPRESSION SPRING -RIGHT/LEFT	0482345585	2
8	TAPPING SCREW (M3X8 T: 8~10 Kgf-cm)	7190050305	1
9	RIBBON SENSOR ASM.	0482345003	1
10	TAPPING SCREW (M2.3X10 T: 2~3 Kgf-cm)	7190050303	1
11	COVER SWITCH ASM.	0482340010	1
12	TAPPING SCREW (M2.6X5 T: 2.5~3.5 Kgf-cm)	0482350640	1
13	IDLE GEAR A	0482345507	1
14	IDLE GEAR D	0482345510	1
15	BACK TENSION RETAINER	0482345580	1
16	FRICITION PAD	0482345582	1
17	RIBBON TENSION SPRING	0482345583	1
18	PEEL OFF TENSION BAR	0482345576	1
19	T.P.H. COMPRESSION SPRING -CENTER	0482345586	1

LOWER FRAME ASM.