

EPSON

EPL-5900L

Page 1

| REF | PART NO | DESCRIPTION | SPEC | QTY |
|------|---------|-----------------------|-------------------------------|-----|
| 1-1 | 1090617 | COVER | 4127-1211-04 | 1 |
| 1-2 | 1090618 | TRAY | 4127-1207-03 | 1 |
| 1-3 | 1084551 | GUIDE | 4127-3750-03 | 1 |
| 1-4 | 1084552 | ROLLER | 4127-3730-03 | 2 |
| 1-5 | 1090619 | GEAR ASSY | 4127-0482-01 | 1 |
| 1-6 | 1090621 | ROLLER | 4127-3707-01 | 4 |
| 1-7 | 1090620 | TOP COVER ROLLER ASSY | 4127-0485-02 | 1 |
| 1-8 | 1090622 | LEVER | 4127-1204-03 | 1 |
| 1-9 | 1090623 | TORSION SPRING | 4127-3763-01 | 1 |
| 1-10 | 1090624 | HOLDER | 4127-3762-01 | 1 |
| 1-11 | 1090625 | MEMBER | 4127-3761-01 | 1 |
| 1-12 | 1090626 | COVER | 4127-1210-03 | 1 |
| 1-13 | 1090627 | TORSION SPRING | 4127-2020-01 | 2 |
| 1-14 | 1090630 | FRONT COVER | 4127-1223-04 | 1 |
| 1-15 | 1090632 | RUBBER FOOT | 4127-2015-01 | 2 |
| 1-23 | 1090640 | TRAY | 4127-1228-03 | 1 |
| 1-24 | 1090641 | LABEL | 4127-2024-01 | 1 |
| 1-25 | 1090642 | LABEL | 4127-2025-01 | 1 |
| 1-26 | 1090646 | LABEL | 4127-7465-01 | 1 |
| 1-27 | 1084672 | COVER | 4127-1202-02 | 1 |
| 1-28 | 2055866 | CONTROL PANEL | STANDARD | 1 |
| 1-29 | 1058403 | LOGO PLATE 10X40;C | | 1 |
| 2-1 | 1090647 | TENSION SPRING | 4127-3019-02 | 1 |
| 2-2 | 1090648 | CAM | 4127-3026-01 | 1 |
| 2-3 | 1090649 | CAM | 4127-3007-01 | 1 |
| 2-4 | 1090650 | CAM | 4127-3008-02 (SEE NOTE BELOW) | 1 |
| 2-5 | 1084553 | ROLLER | 4127-3001-01 | 1 |
| 2-6 | 1090651 | ROLLER | 4127-3002-01 | 1 |
| 2-7 | 1090652 | GEAR | 4127-3014-01 | 1 |
| 2-8 | 1090653 | GEAR | 4127-3010-01 (SEE NOTE BELOW) | 1 |
| 2-9 | 1090632 | RUBBER FOOT | 4127-2015-01 | 2 |
| 2-10 | 2056850 | SOLENIOD | 9321-2000-32 | 1 |
| 2-11 | 1090892 | ACTUATOR | 4127-3521-02 | 1 |
| 2-12 | 2056851 | PHOTO INTERRUPTER | 4127-0901-01 | 1 |
| 2-13 | 1090655 | PRESSURE SPRING | 4127-3041-02 | 1 |
| 2-14 | 1090657 | GUIDE | 4127-3042-03 | 2 |
| 2-15 | 1090658 | STOPPER | 4127-3022-02 | 2 |
| 2-16 | 1090660 | PRESSURE SPRING | 4127-3516-02 | 2 |
| 2-17 | 1084555 | REGULATING PLATE ASSY | 4127-0491-02 | 1 |
| 2-18 | 1090661 | TENSION SPRING | 4127-3027-01 | 1 |
| 2-19 | 1090662 | LEVER | 4127-3025-01 | 1 |
| 2-20 | 1084556 | SEPARATOR PAD | 4127-0481-01 | 1 |
| 2-21 | 1084673 | HOLDER | 4127-2016-01 | 2 |
| 2-22 | 2057062 | WIRE HARNESS ASSY | 4127-6805-01 | 1 |
| 2-23 | 2057063 | WIRE HARNESS ASSY | 4127-6814-01 | 1 |
| 2-24 | 1084674 | GUIDE | 4127-3551-03 | 1 |
| 2-25 | 1084676 | REINFORCE PLATE | 4127-3043-02 | 1 |
| 2-26 | 1084677 | FRICTION SHEET | 4127-3013-01 | 1 |
| 2-27 | 1091520 | SEAL | 4127-3044-01 | 1 |
| 3-1 | 2060244 | HEATER 230V | 4127-6503-02 | 1 |
| 3-2 | 2056851 | PHOTO INTERRUPTER | 4127-0901-01 | 1 |
| 3-3 | 1090663 | ACTUATOR | 4127-5518-01 | 1 |

EPSON

EPL-5900L

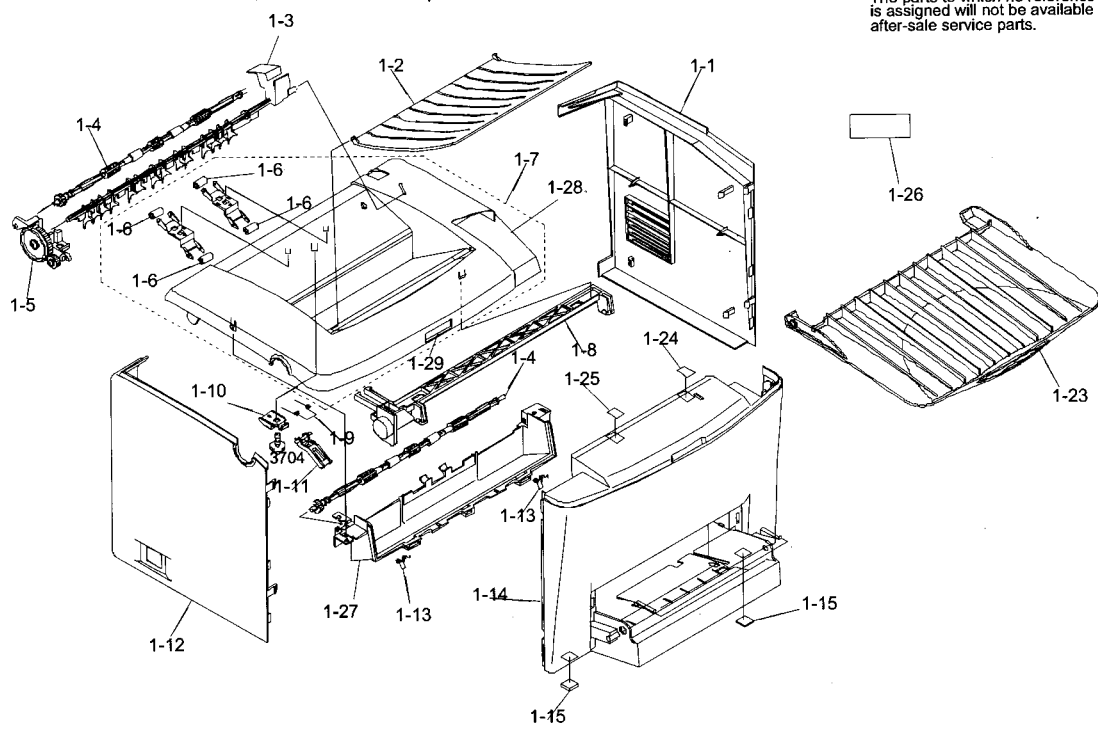
Page 2

| REF | PART NO | DESCRIPTION | SPEC | QTY |
|-------|---------|---|----------------|-----|
| 3-4 | 1090664 | HOLDER | 4127-5534-02 | 1 |
| 3-5 | 1090665 | BUSHING | 4127-5511-01 | 2 |
| 3-6 | 1090666 | ROLLER | 4127-5502-01 | 1 |
| 3-7 | 1090667 | SEPARATOR | 4127-5536-01 | 2 |
| 3-8 | 1090668 | SEPARATOR | 4127-5533-01 | 2 |
| 3-9 | 1042716 | PRESSURE SPRING | 4109-5516-01 | 4 |
| 3-10 | 1090669 | BUSHING | 4122-5522-01 | 1 |
| 3-11 | 2060245 | THERMAL SWITCH | 4127-6301-01 | 1 |
| 3-12 | 1090670 | FUSING ROLLER | 4127-5501-02 | 1 |
| 3-13 | 1040809 | BUSHING | 4109-5521-01 | 1 |
| 3-14 | 2056856 | FUSING UNIT 220/240V | 4127-0353-02 | 1 |
| 3-15 | 1084678 | ROLL | 4127-5516-01 | 2 |
| 3-16 | 1084679 | GEAR | 4127-5513-01 | 1 |
| 3-17 | 1084680 | GEAR | 4127-5512-01 | 1 |
| 3-18 | 1084681 | SEAL | 4127-5550-03 | 1 |
| 4-1 | 1090671 | TORSION SPRING | 4127-2013-02 | 1 |
| 4-2 | 2027752 | SWITCH | 4109-6305-01 | 1 |
| 4-3 | 2060246 | I/C GUIDE ASSY | 4127-0480-01 | 1 |
| 4-4 | 2057234 | DRIVE GEAR ASSY | 4127-0302-01 | 1 |
| 4-5 | 2060247 | MOTOR | 9314-2001-11 | 1 |
| 4-6 | 2060249 | MICRO-SWITCH | 4127-6302-01 | 1 |
| 4-7 | 1090672 | ROLL | 4127-3006-01 | 2 |
| 4-8 | 1084557 | TRANSFER ROLLER | 4127-4103-02 | 1 |
| 4-9 | 2056859 | TRANSFER GUIDE ASSY | 4127-0311-01 | 1 |
| 4-10 | 2057064 | WIRE HARNESS ASSY | 4127-6806-01 | 1 |
| 4-12 | 2057068 | WIRE HARNESS ASSY | 4127-6811-02 | 1 |
| 5-1 | 2056860 | HV TRANSFORMER | 4127-6203-03 | 1 |
| 5-2 | 2060250 | FAN MOTOR | 9313-1001-21 | 1 |
| 5-3 | 1090673 | HOLDER | 4127-2321-01 | 1 |
| 5-4 | 2056862 | POWER SUPPLY 200V | 4127-6202-02 | 1 |
| 5-5 | 2056864 | PRINT HEAD ASSY | 4571-0533-02 | 1 |
| 5-6 | 2057067 | WIRE HARNESS ASSY | 4127-6804-03 | 1 |
| 5-10 | 2055898 | WIRE HARNESS | | 1 |
| 5-11 | 2010468 | AC CABLE,AS31303SI-A | 240V | 1 |
| 5-200 | 2055956 | BOARD ASSY., MAIN | | 1 |
| 5-201 | 2048955 | BOARD ASSY.,I/F | 5774A,STANDARD | 1 |
| 3923 | 1040800 | TAPPING SCREW | | 1 |
| 3504 | 1004720 | TAPPING SCREW | | 1 |
| 1305 | 1004686 | SCREW | | 1 |
| 3704 | 1015399 | TAPPING SCREW | | 1 |
| 3705 | 1015400 | TAPPING SCREW | | 1 |
| | | NOTE:REF 2-4 AND 2-8 REPLACED BY KIT P/N 1279589 | | |
| END | | | | |
| | | | | |
| | | | | |
| | | | | |

EPSON

EPL-5900L

Page 4



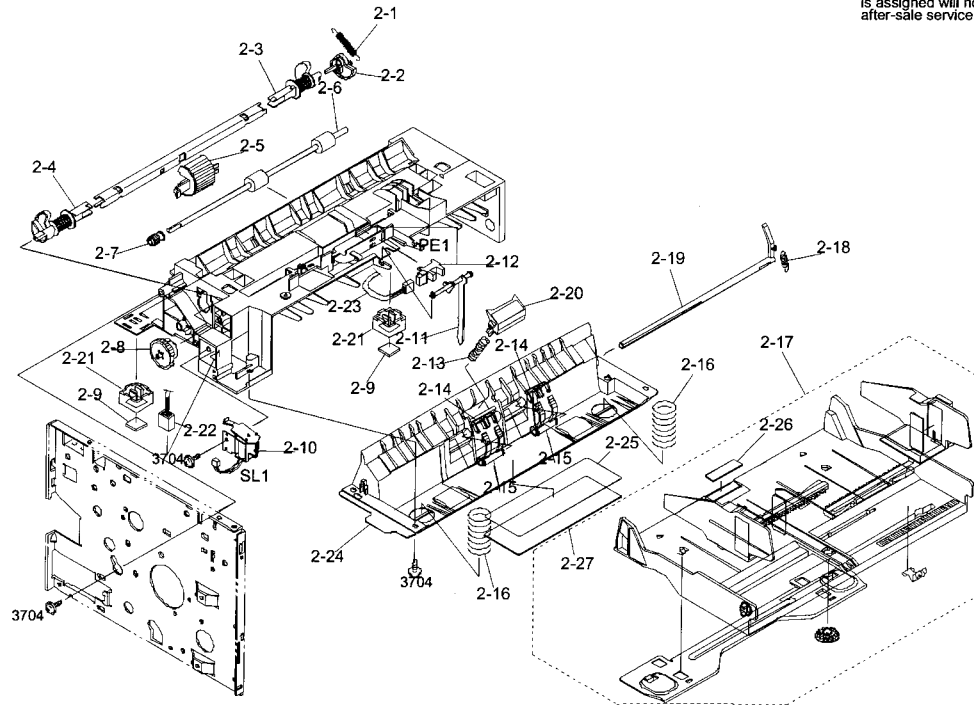
EPL-5900L NO.01 Rev.01 C428

EPSON

EPL-5900L

Page 5

The parts to which no reference num
is assigned will not be available as
after-sale service parts.



EPL-5900L NO.02

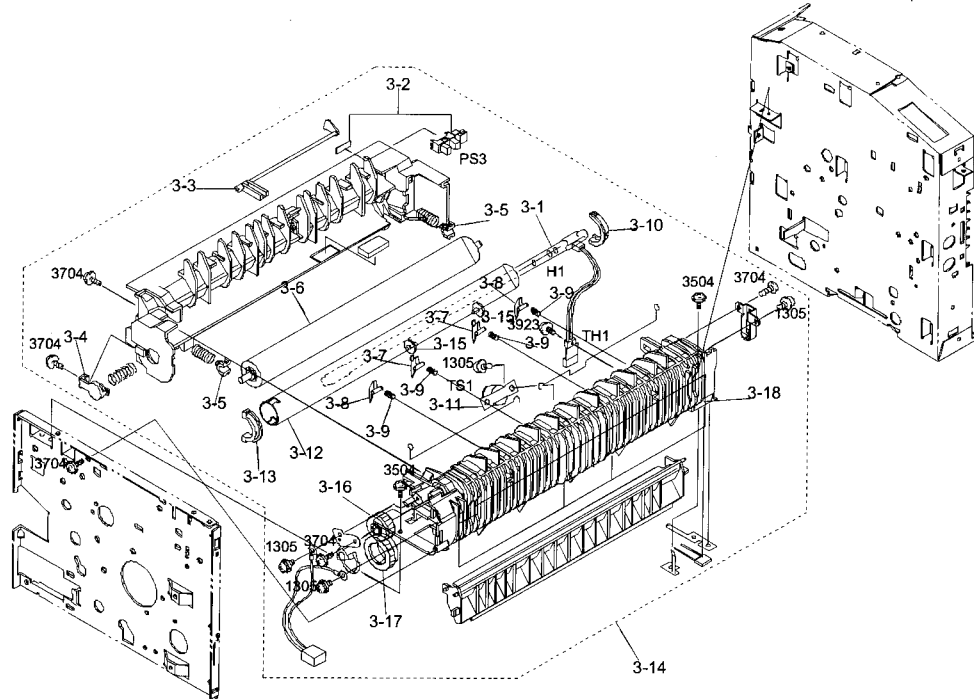
Rev.01 C428

EPSON

EPL-5900L

Page 6

The parts to which no reference number is assigned will not be available as after-sale service parts.

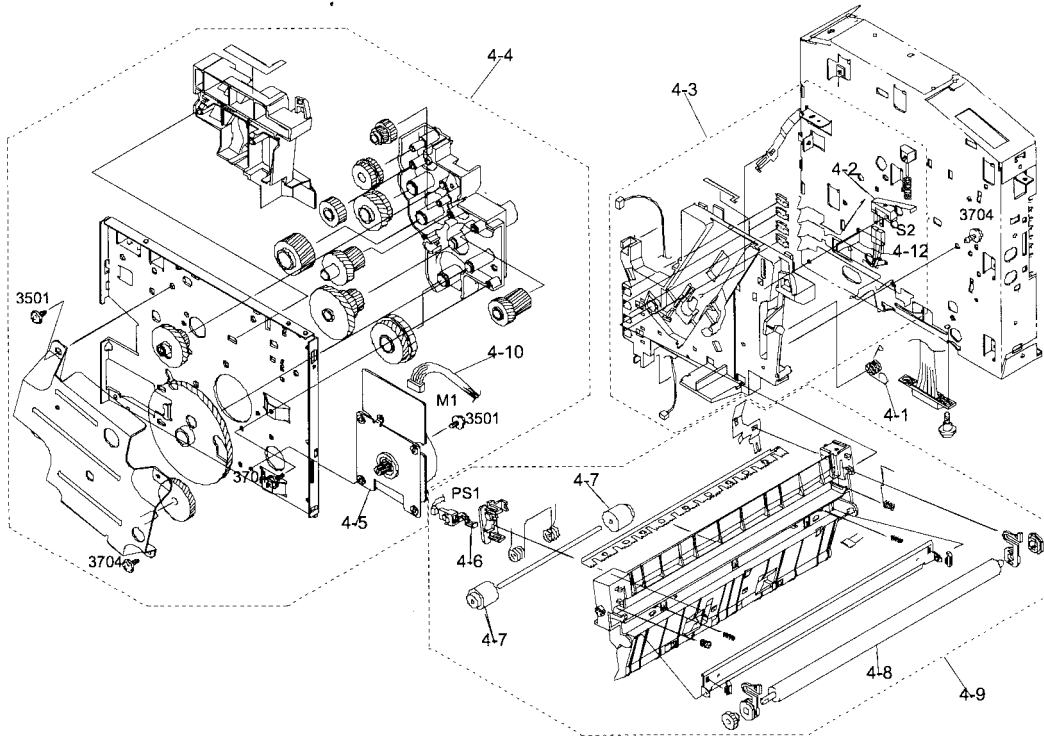


EPSON

EPL-5900L

Page 7

The parts to which no reference number is assigned will not be available as after-sale service parts.

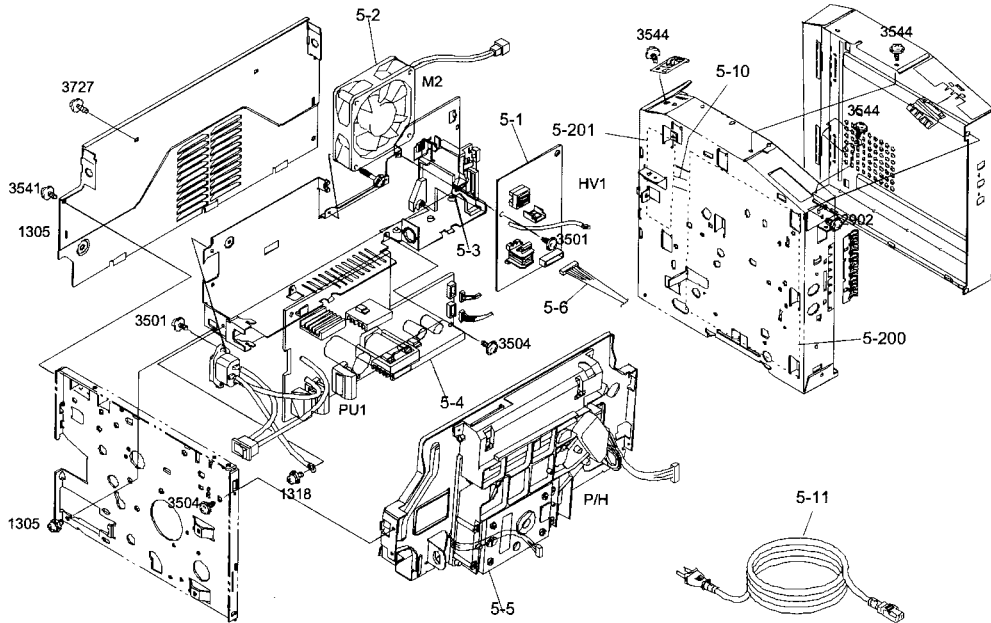


EPSON

EPL-5900L

Page 8

The parts to which no reference number is assigned will not be available as after-sale service parts.

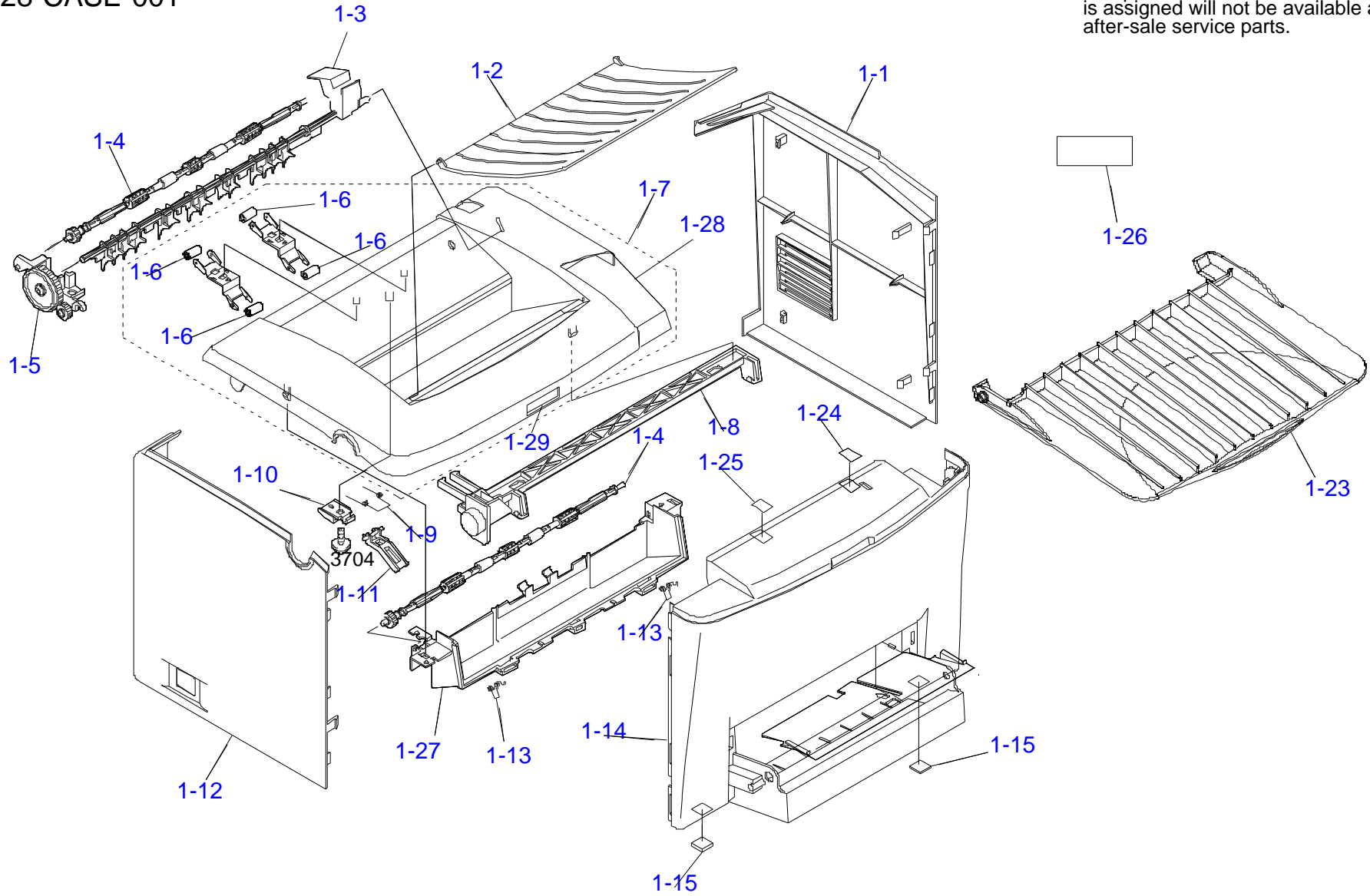


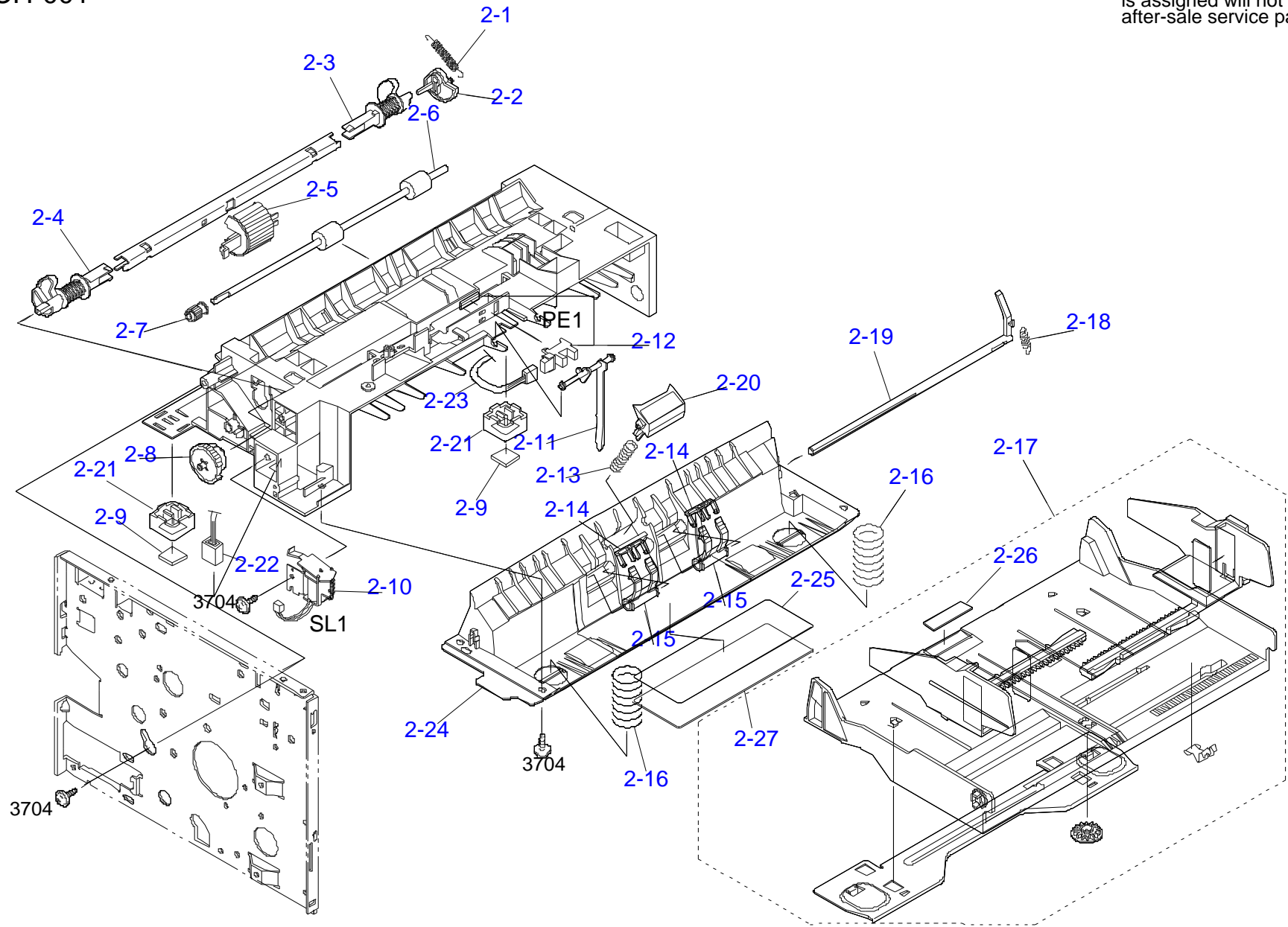
EPL-5900L NO.05

Rev.01 C428

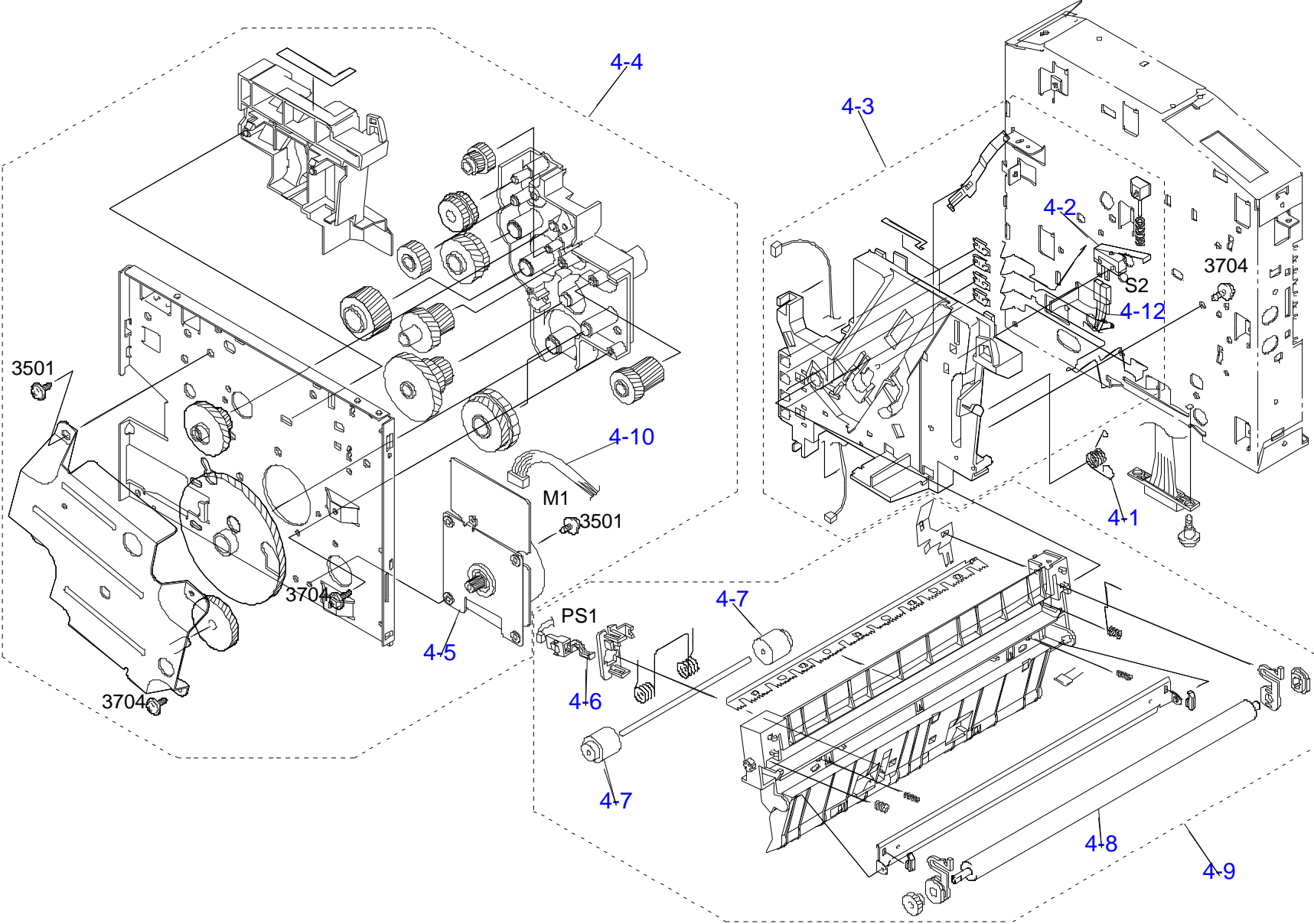
C428-CASE-001

The parts to which no reference number is assigned will not be available as after-sale service parts.

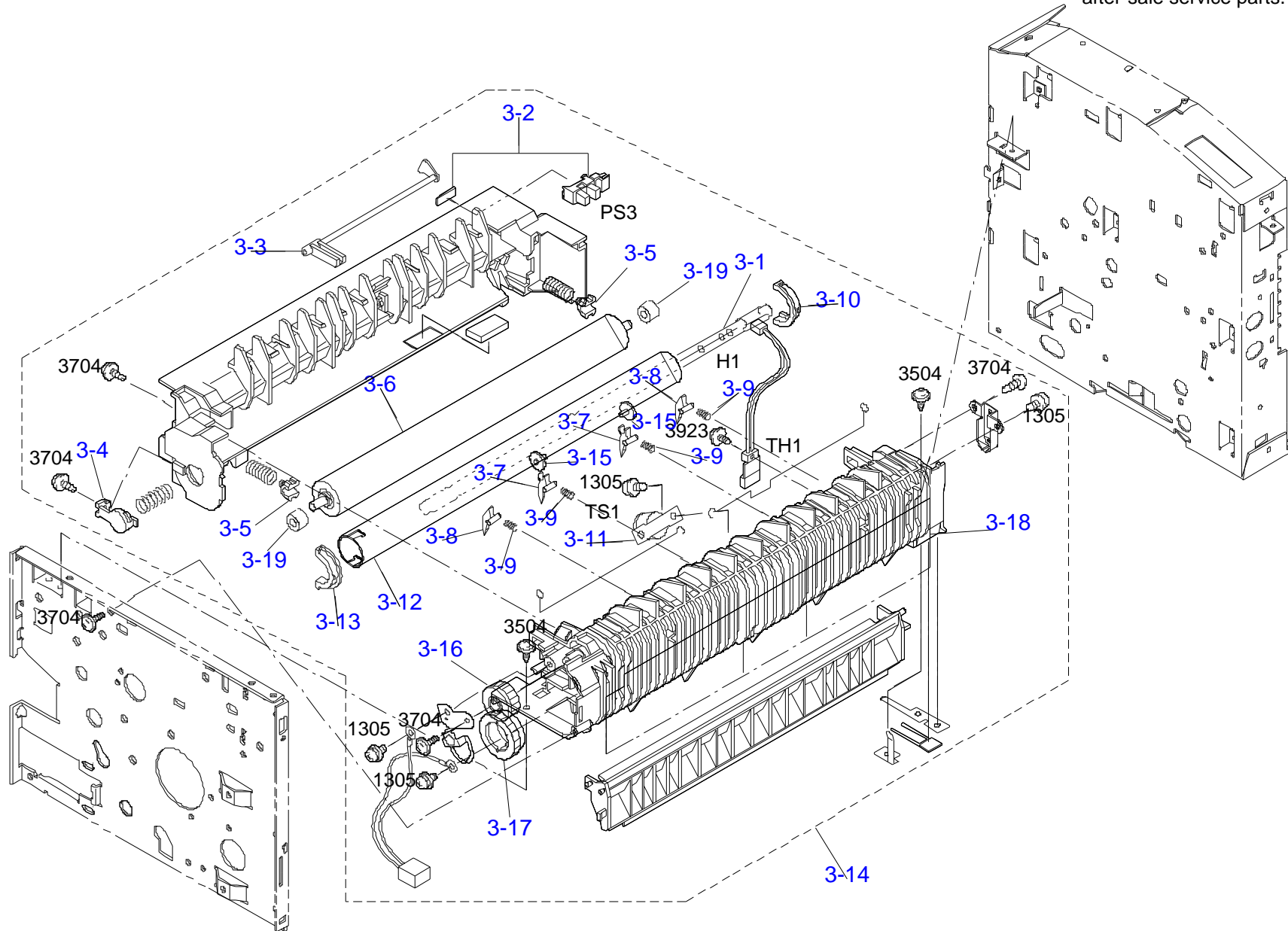




The parts to which no reference number is assigned will not be available as after-sale service parts.

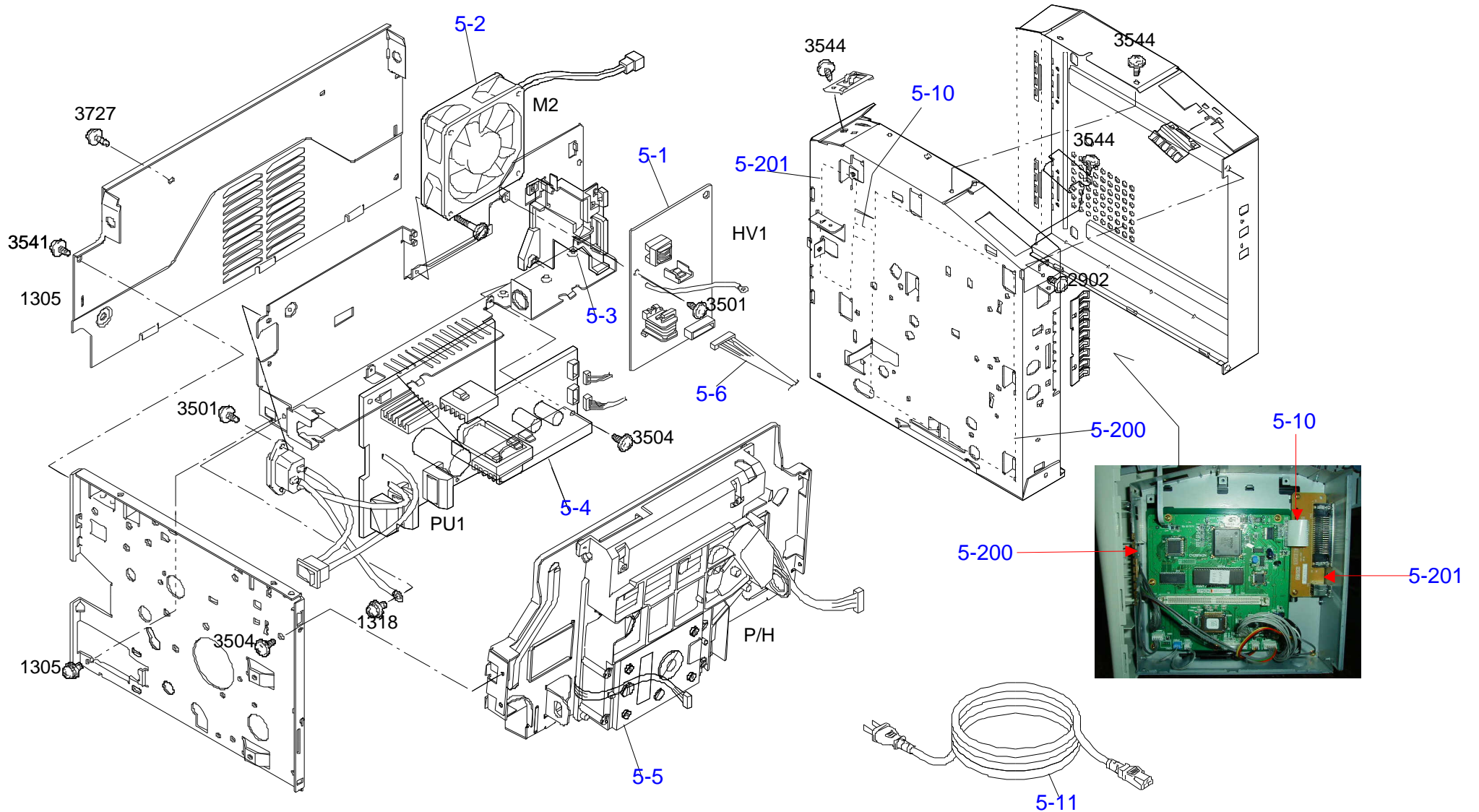


The parts to which no reference number is assigned will not be available as after-sale service parts.

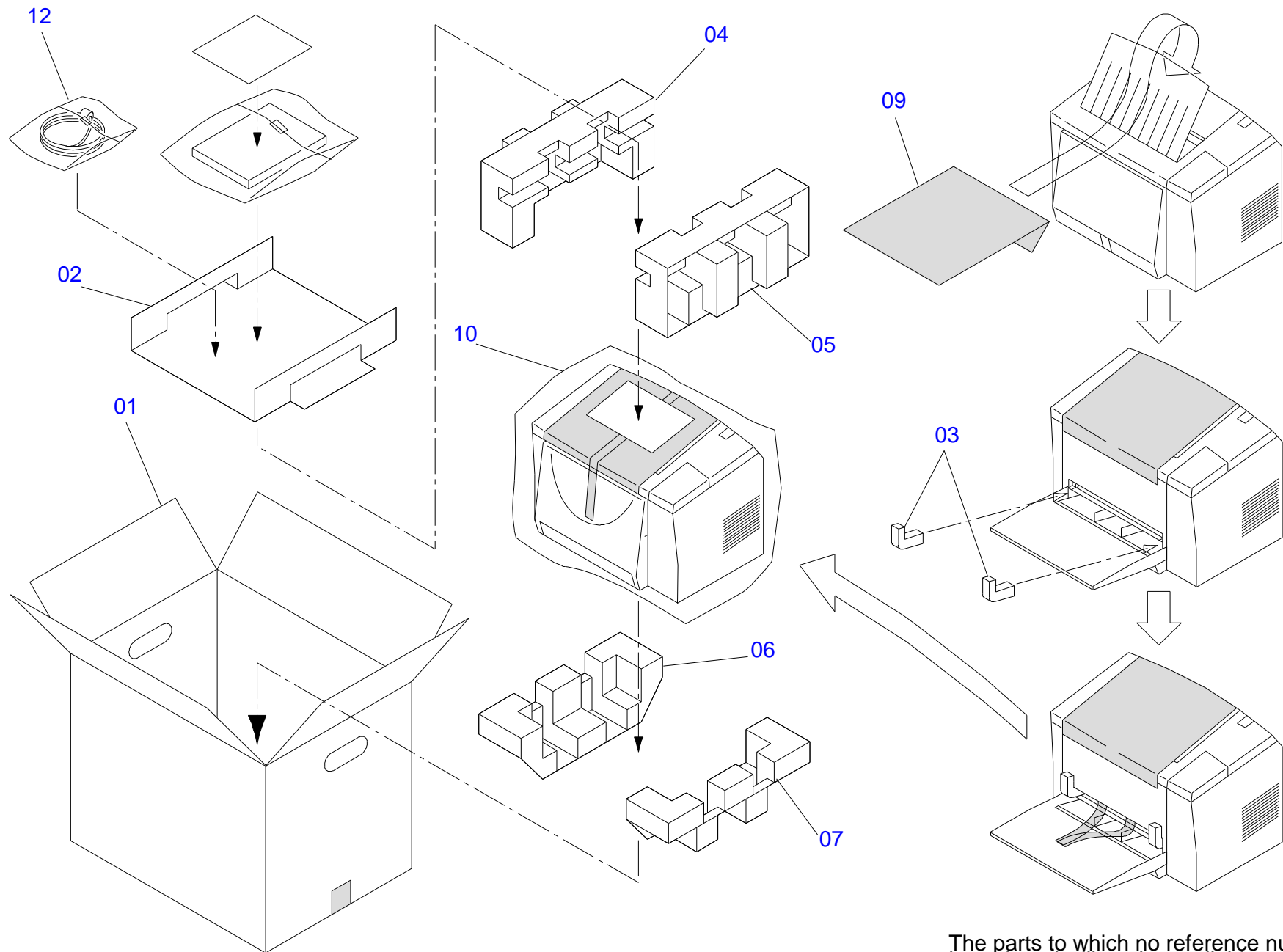


C428-ELEC-002

The parts to which no reference number is assigned will not be available as after-sale service parts.



C428-PACK-001



FOR LP-1200/EPL-5900L NO.06

Rev.01 C428

The parts to which no reference number is assigned will not be available as after-sale service parts.