

EPSON EPL5800L

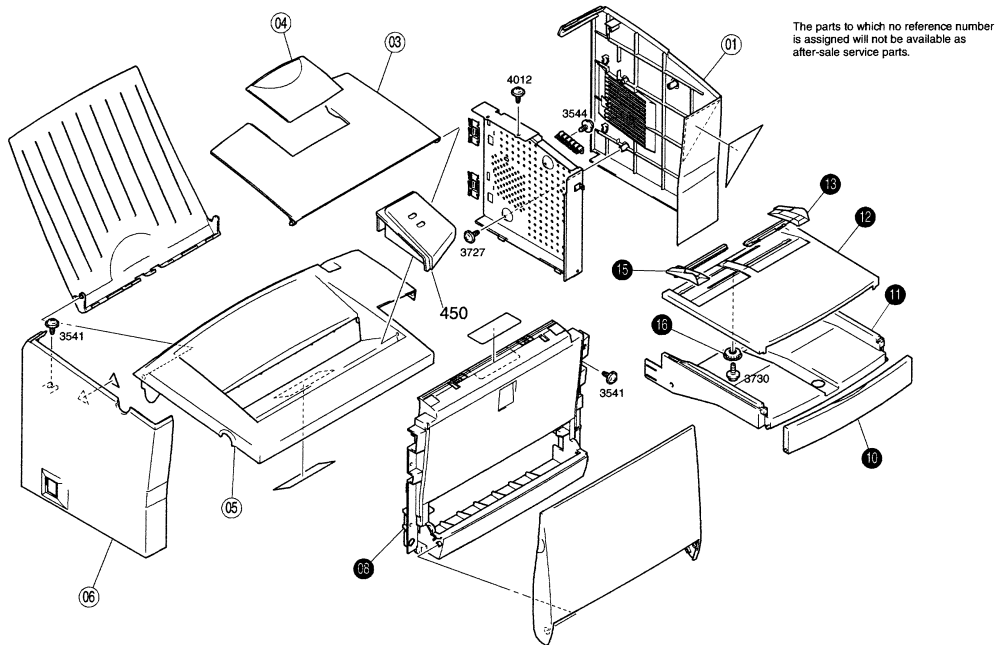
Important items in Bold Type

Page 1

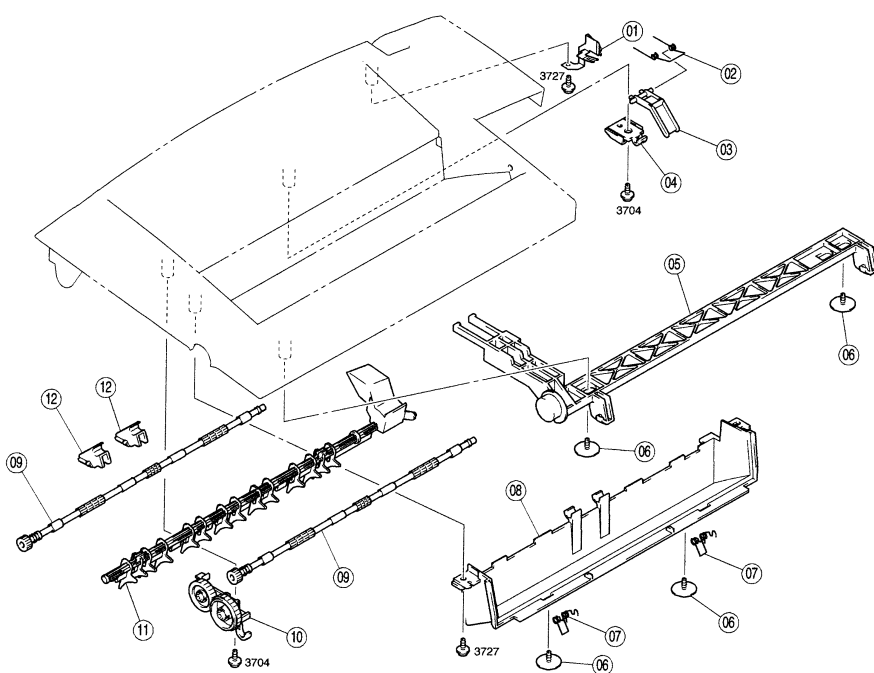
| REF | PART NO | DESCRIPTION | SPEC | QTY |
|-------------|----------------|---------------------------|------------------------|----------|
| 1-01 | 1053811 | COVER | | 1 |
| 1-03 | 1053813 | TRAY | | 1 |
| 1-04 | 1053814 | TRAY | | 1 |
| 1-05 | 1053815 | TOP COVER | | 1 |
| 1-06 | 1053816 | COVER | | 1 |
| 1-08 | 1053819 | FRONT COVER | | 1 |
| 1-10 | 1053219 | COVER | | 1 |
| 1-11 | 1053820 | TRAY | | 1 |
| 1-12 | 1053821 | COVER | | 1 |
| 1-13 | 1053222 | REGULATING PLATE | | 1 |
| 1-15 | 1053221 | REGULATING PLATE | | 1 |
| 1-16 | 1053220 | GEAR | | 1 |
| 1-450 | 2034469 | PANEL | | 1 |
| N/A | 1062103 | LOGO PLATE;B | | 1 |
| (JP1) | X601002000 | CONNECTOR | 2 PIN | 1 |
| (JP9) | X601002000 | CONNECTOR | 2 PIN | 1 |
| 200 | 2042951 | BOARD ASSY., MAIN | 5638B,EPL-5800L | 1 |
| 2-01 | 1053817 | EARTH GROUND | | 1 |
| 2-02 | 1053823 | TORSION SPRING | | 1 |
| 2-03 | 1053824 | MEMBER | | 1 |
| 2-04 | 1053825 | HOLDER | | 1 |
| 2-05 | 1053826 | LEVER | | 1 |
| 2-06 | 1053827 | SHOULDER SCREW | | 4 |
| 2-07 | 1053828 | TORSION SPRING | | 2 |
| 2-08 | 1053829 | COVER | | 1 |
| 2-09 | 1053223 | ROLLER | | 2 |
| 2-10 | 1053830 | GEAR ASSY | | 1 |
| 2-11 | 1053224 | GUIDE | | 1 |
| 2-12 | 1053831 | GUIDE | | 2 |
| 3-01 | 2034287 | PAPER PICK UNIT | | 1 |
| 3-02 | 1053832 | ROLLER | | 1 |
| 3-03 | 1053833 | SEPARATOR PAD | | 1 |
| 3-04 | 2027738 | SOLENOID | | 1 |
| 4-01 | 1053834 | ACTUATOR | | 1 |
| 4-02 | 2027764 | PHOTO INTERRUPTER(PS3) | | 1 |
| 4-03 | 1040806 | BUSHING | | 2 |
| 4-04 | 1053714 | ROLLER(BU ROLLER) | | 1 |
| 4-05 | 1040803 | BUSHING | | 1 |
| 4-06 | 2028490 | TUBE LAMP(HI 230V) | | 1 |
| 4-07 | 1053835 | FUSING ROLLER | | 1 |
| 4-08 | 1053836 | PRESSURE SPRING | | 4 |
| 4-09 | 1040810 | SEPARATOR | | 4 |
| 4-10 | 1040809 | BUSHING | | 1 |
| 4-11 | 2034529 | THERMAL SWITCH | | 1 |
| 4-12 | 2034530 | THERMISTOR | | 1 |
| 4-13 | 2034291 | FUSING UNIT 230V | | 1 |
| 5-01 | 1053837 | TORSION SPRING | | 1 |
| 5-02 | 1053839 | FRAME | | 1 |
| 5-03 | 2034294 | MOTOR | | 1 |
| 5-04 | 2034285 | DRIVE UNIT | | 1 |
| 5-05 | 2034524 | WIRE HARNESS ASSY | | 1 |
| 5-06 | 1053840 | RUBBER FOOT | | 2 |
| 5-07 | 2034298 | HV TRANSFORMER | | 1 |
| 5-08 | 2027747 | SWITCH(PS2) | | 1 |
| 5-09 | 2034286 | TRANSFER UNIT | | 1 |
| 5-10 | 1053841 | GUIDE PLATE | | 1 |
| 5-11 | 1040763 | ROLLER | | 1 |
| 6-01 | 1054750 | BRACKET ASSY | | 1 |
| 6-02 | 2034295 | FAN MOTOR | | 1 |
| 6-03 | 1053843 | DUCT | | 1 |
| 6-04 | 2027750 | SWITCH(PE1) | | 1 |
| 6-05 | 2027752 | SWITCH | | 1 |
| 6-06 | 1053840 | RUBBER FOOT | | 2 |
| 6-07 | 1053844 | LEVER | | 1 |
| 6-08 | 1053845 | EARTH GROUND | | 1 |
| 6-10 | 1053846 | EARTH GROUND | | 1 |
| 7-01 | 2034297 | POWER SUPPLY | | 1 |

EPSON EPL5800L

Important items in Bold Type
Page 3



EPL-5800L NO.1

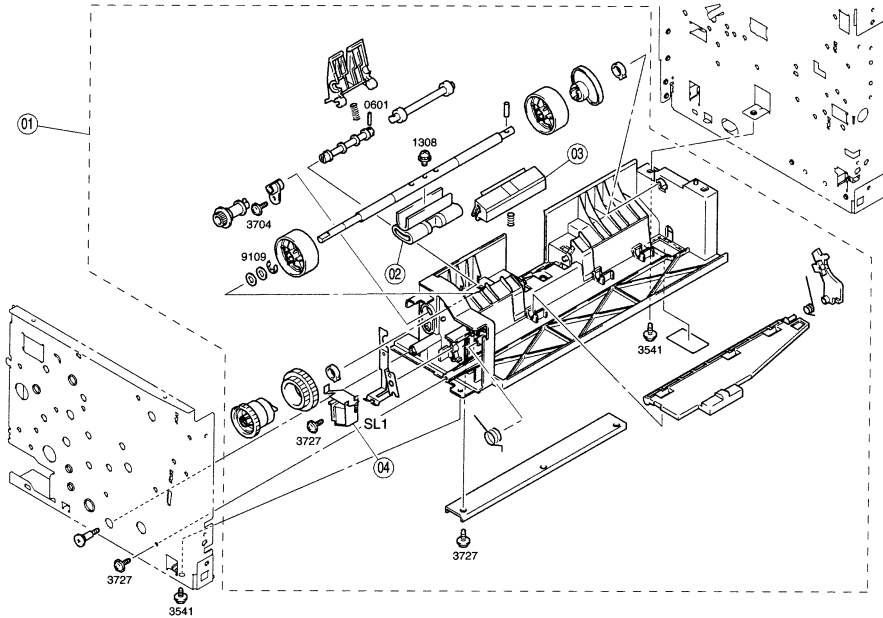


F EPL-5800L NO.2

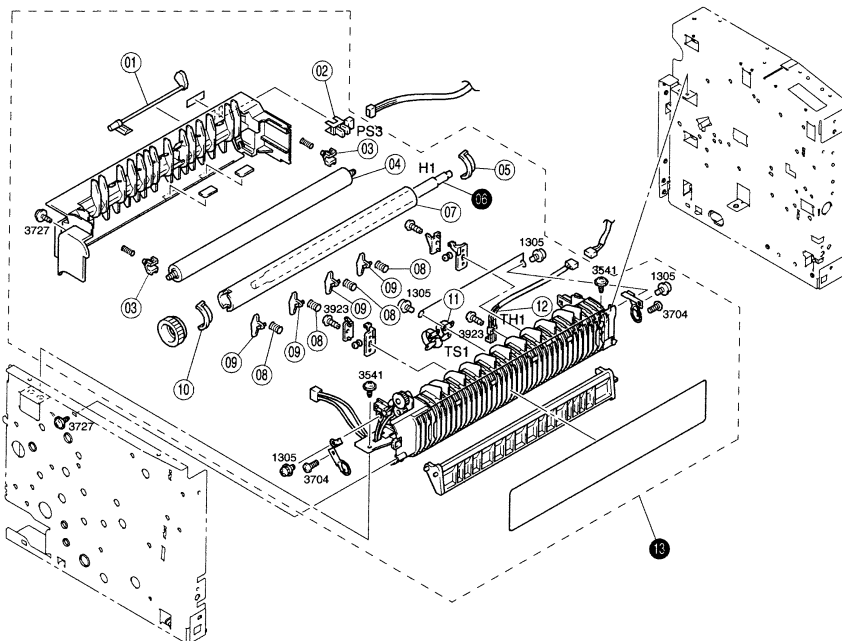
EPSON EPL5800L

Important items in Bold Type

Page 4



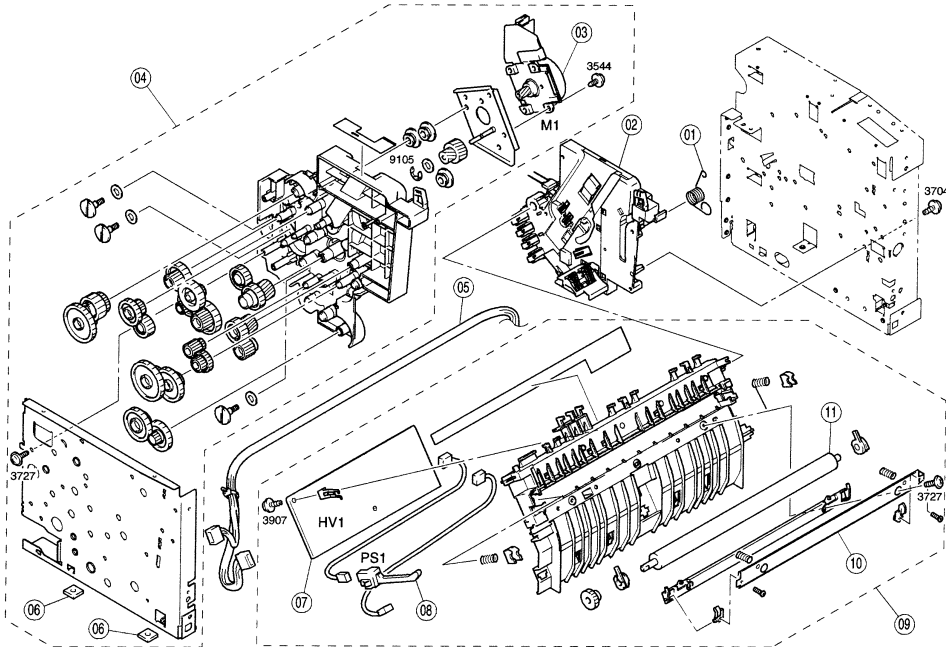
EPL-5800L NO.3



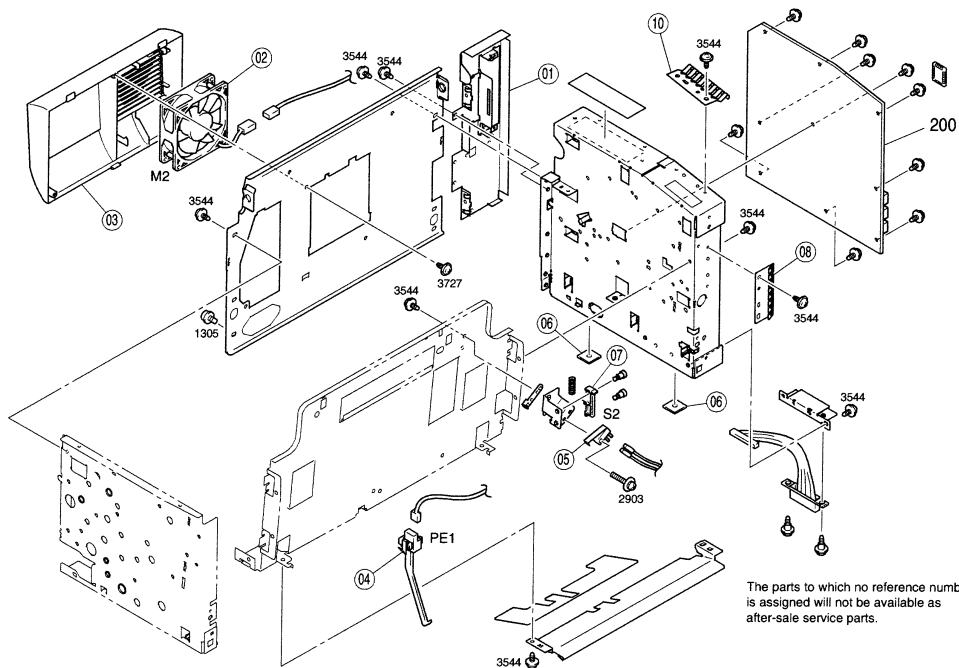
EPL-5800L NO.4

EPSON EPL5800L

Important items in Bold Type
Page 5



EPL-5800L NO.5



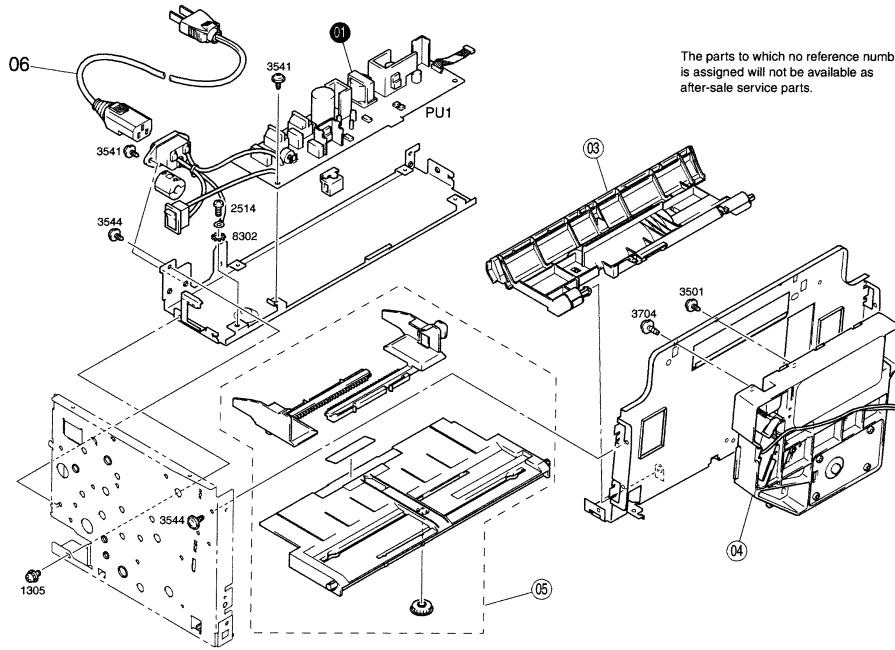
The parts to which no reference number is assigned will not be available as after-sale service parts.

EPL-5800L NO.6

EPSON EPL5800L

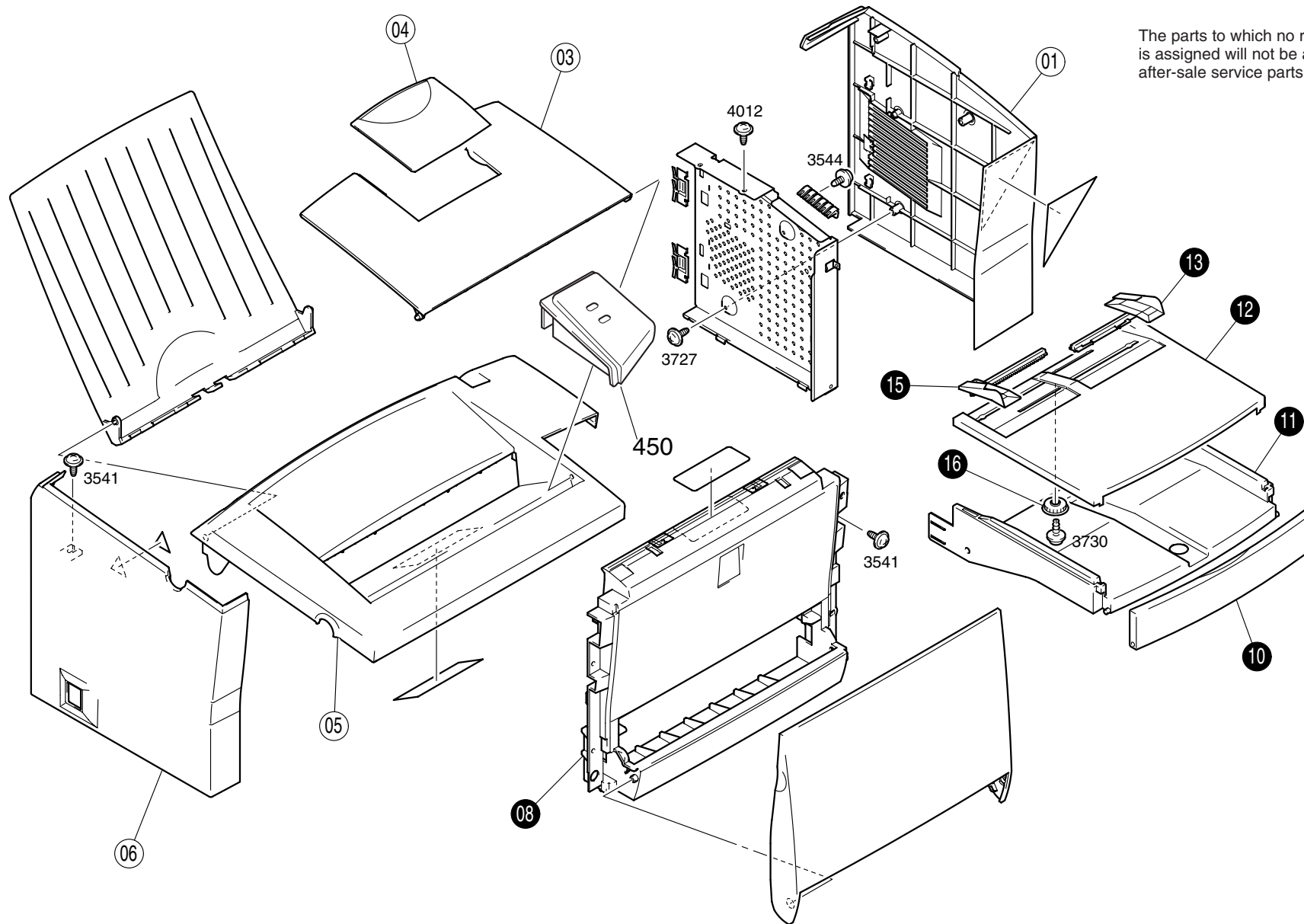
Important items in Bold Type

Page 6

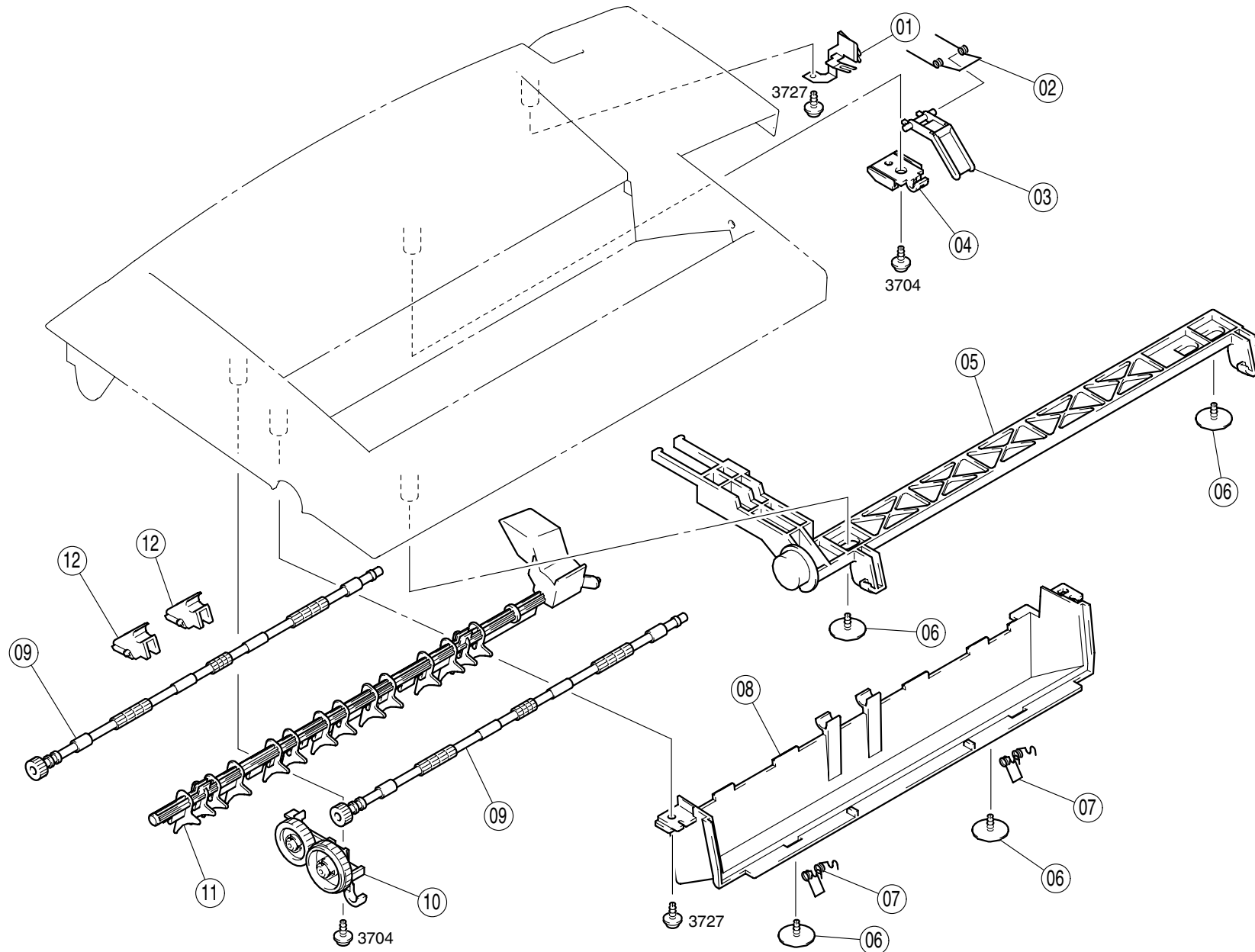


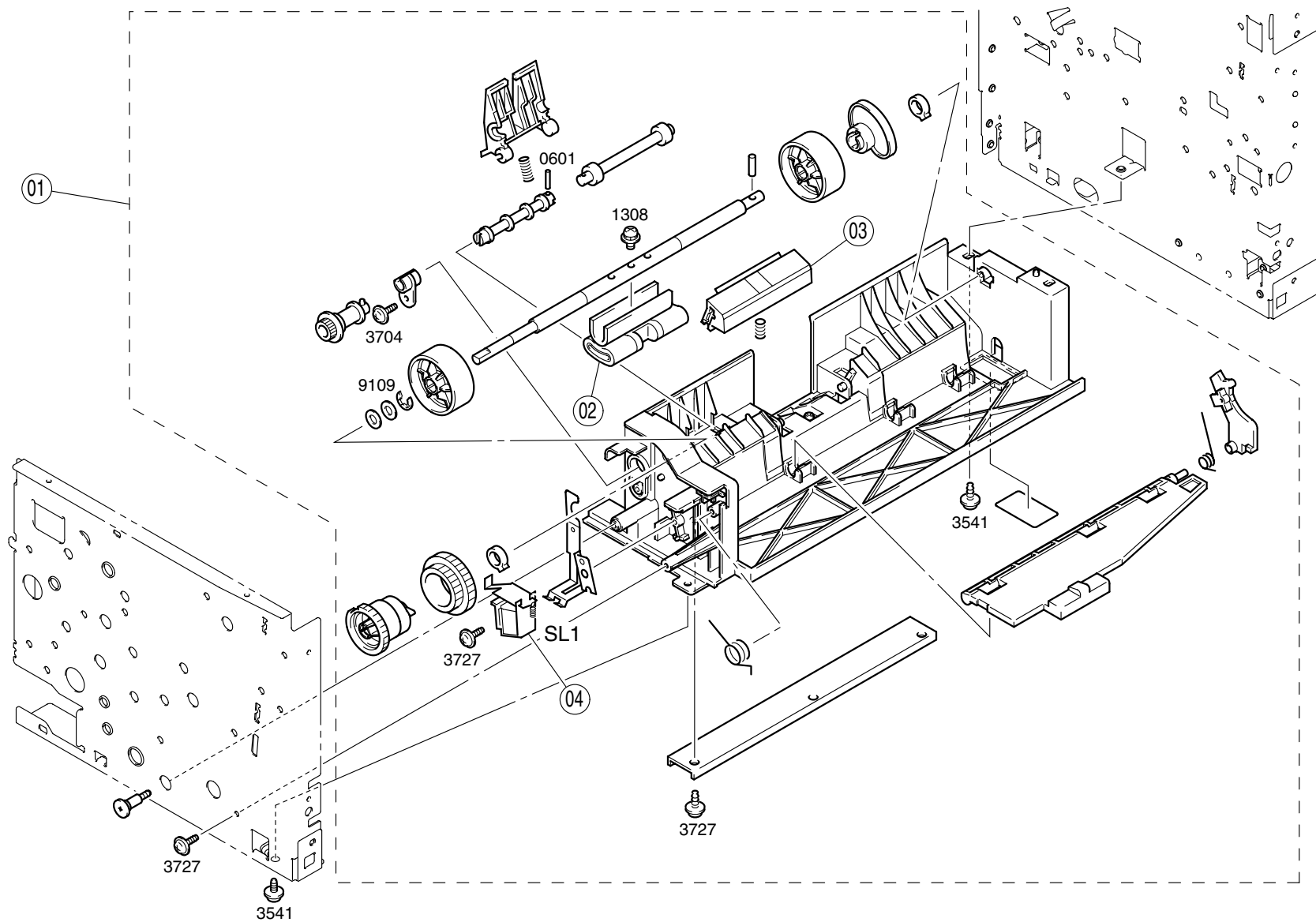
The parts to which no reference number is assigned will not be available as after-sale service parts.

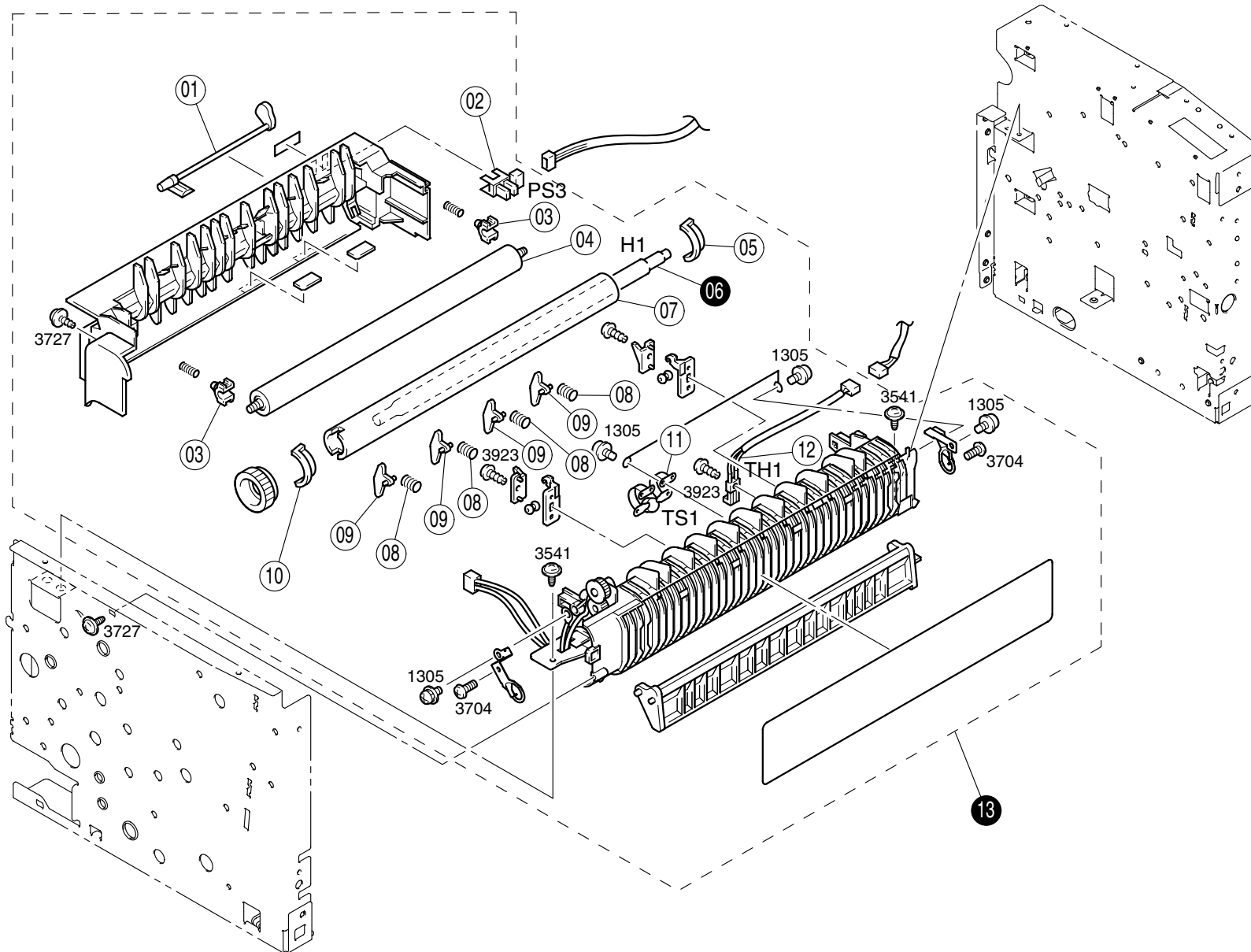
EPL-5800L NO.7

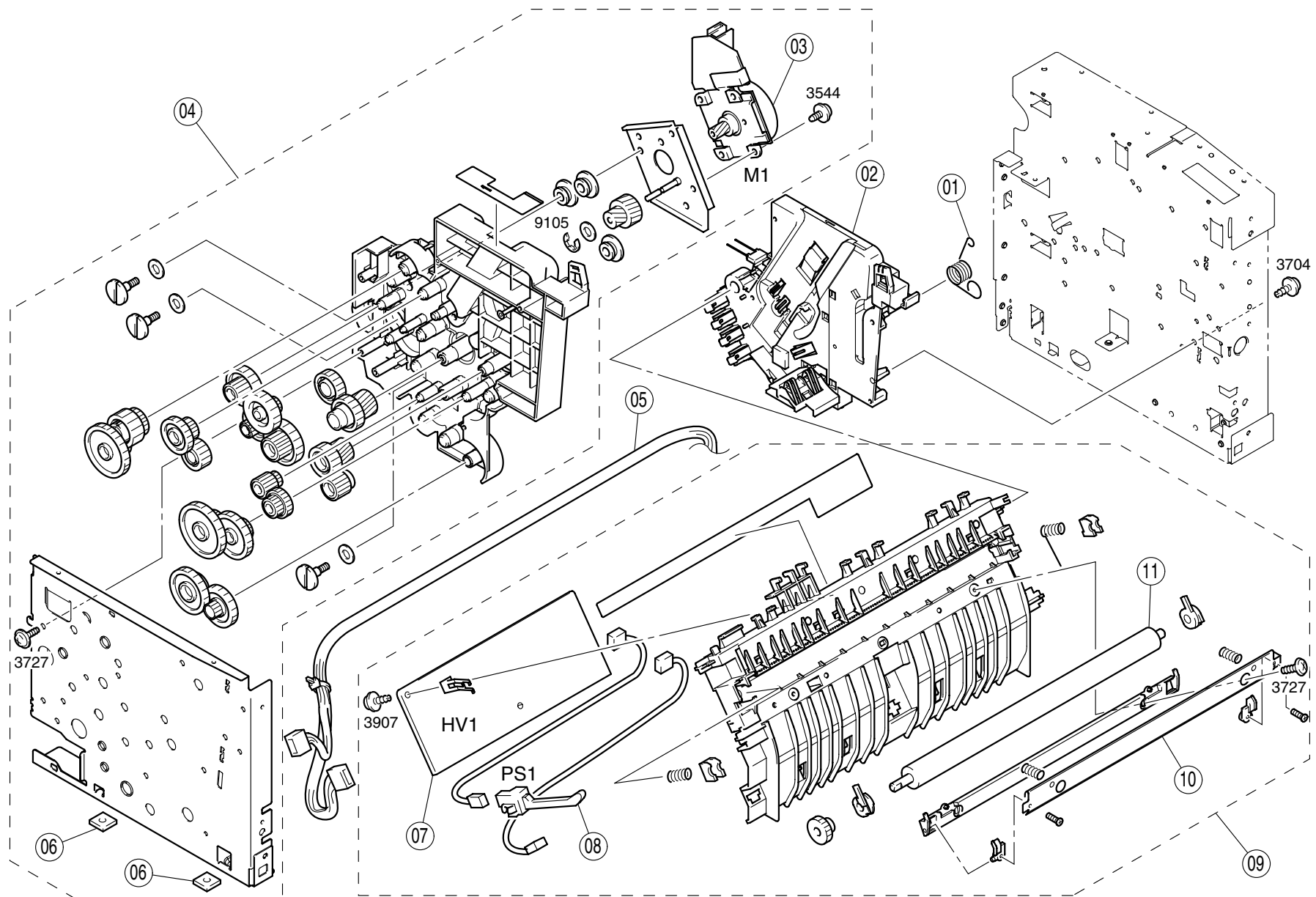


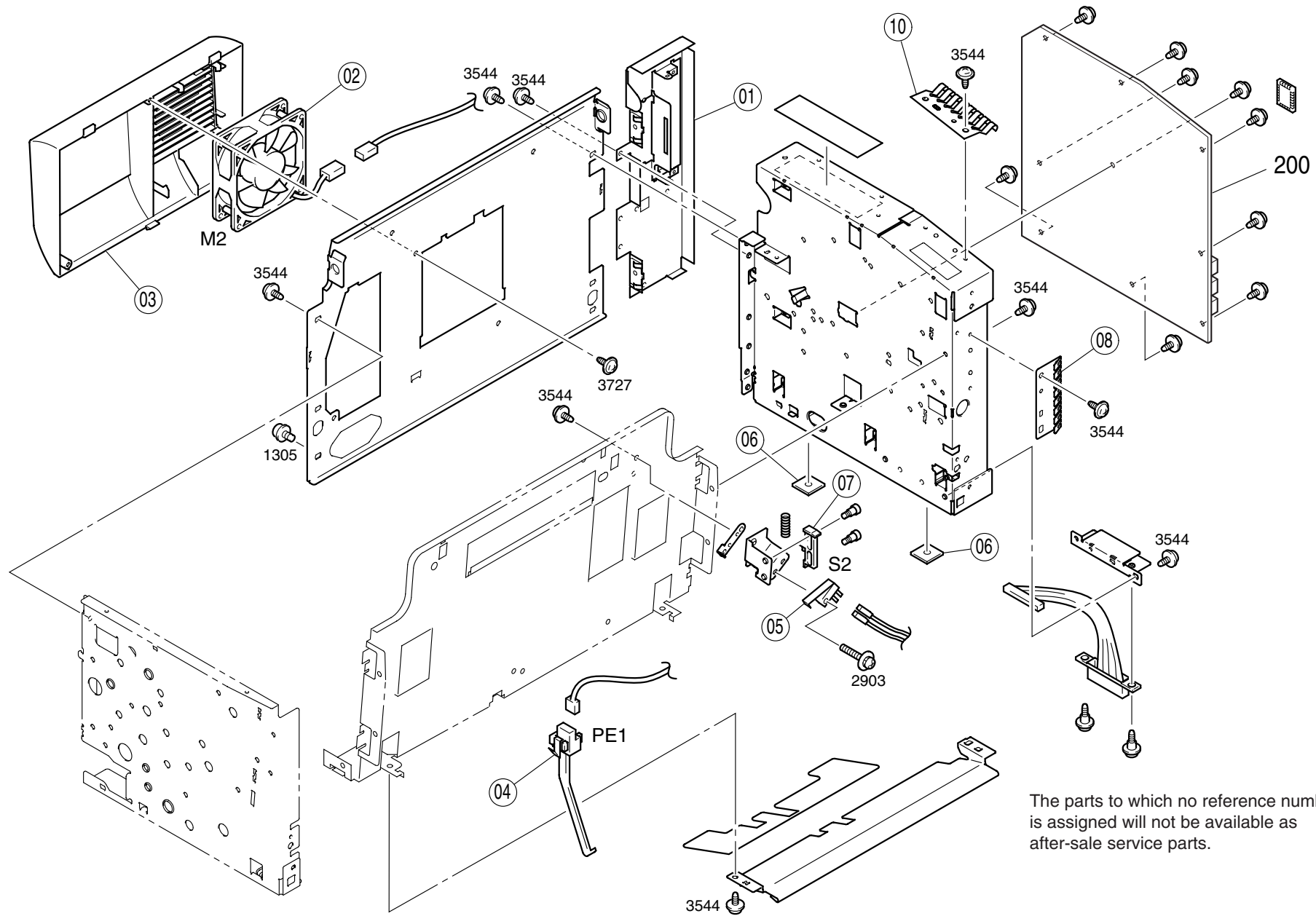
The parts to which no reference number is assigned will not be available as after-sale service parts.

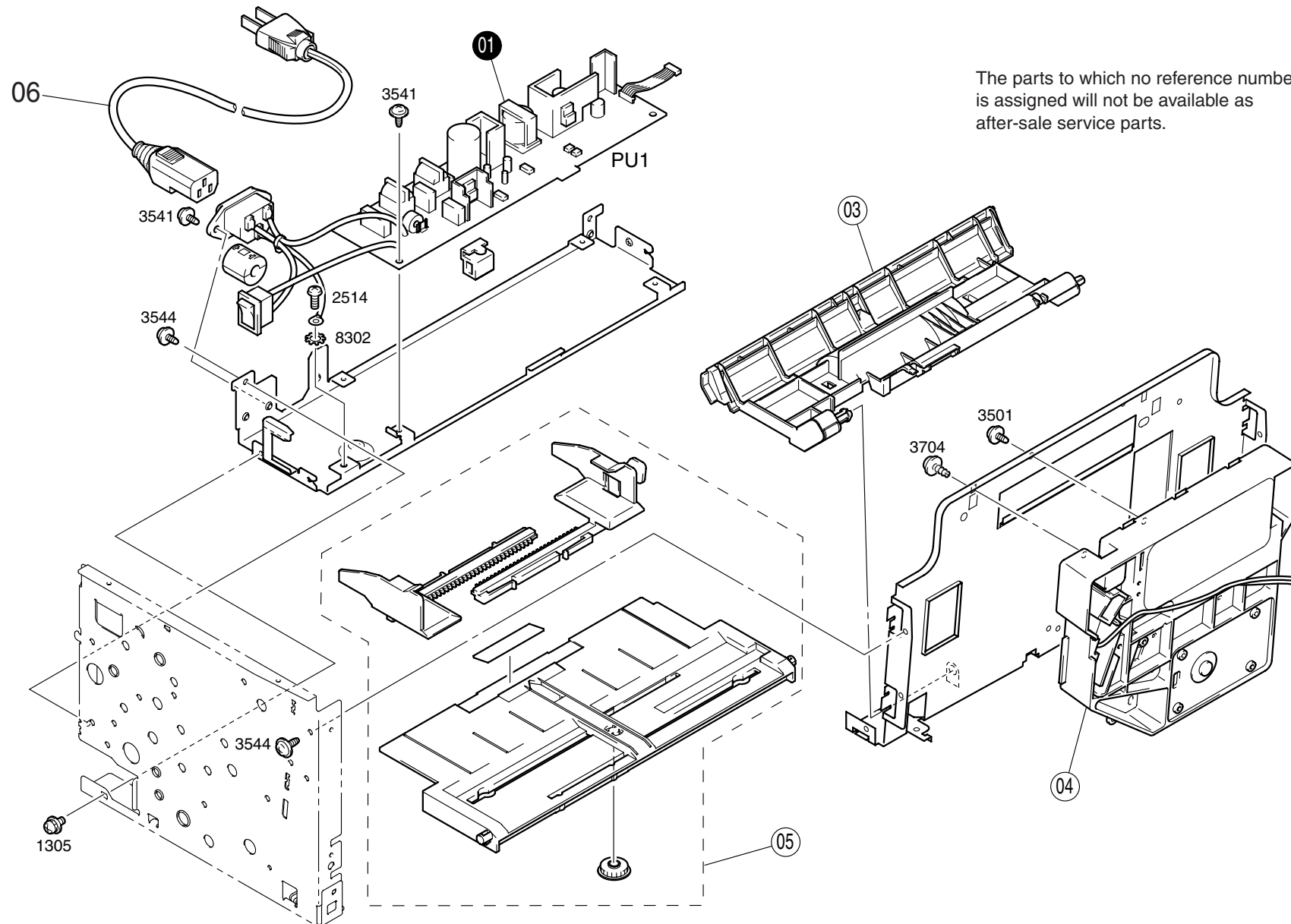


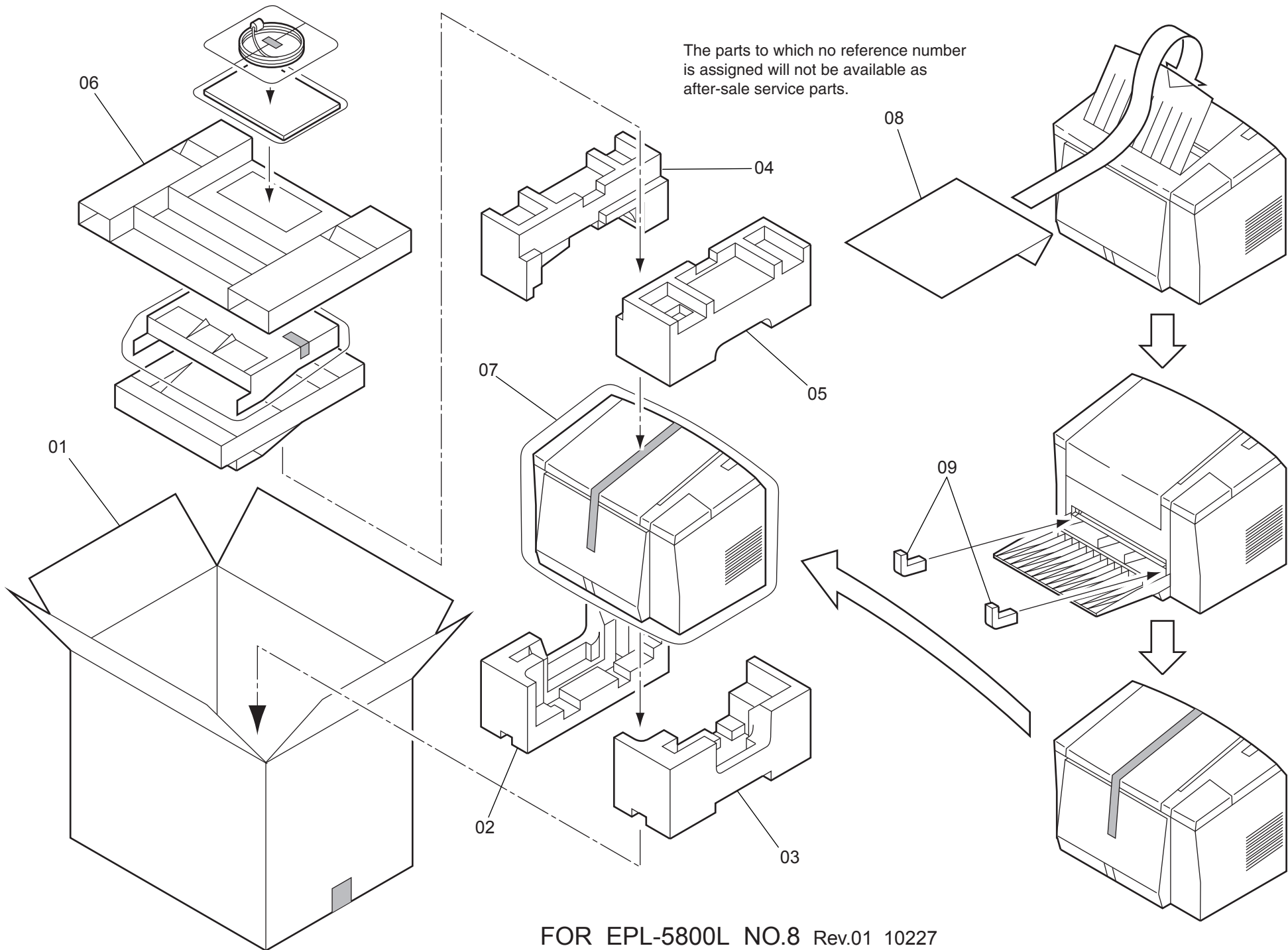












FOR EPL-5800L NO.8 Rev.01 10227