

EPSON EPL5800

**NOTE: ITEMS NOT LISTED ARE NOT AVAILABLE AS SPARES
IMPORTANT ITEMS IN BOLD TYPE**

Page 1

REF	PART NO	DESCRIPTION	SPEC	QTY
1-01	1053811	COVER	4121-1211-04	1
1-02	1053812	EARTH GROUND	4121-2402-02	1
1-03	1053813	TRAY	4121-1207-04	1
1-04	1053814	TRAY	4121-1227-03	1
1-05	1053815	TOP COVER	4121-0751-01	1
1-06	1053816	COVER	4121-1210-04	1
1-08	1053819	FRONT COVER	4121-0762-01	1
1-10	1053219	COVER	4121-1216-01	1
1-11	1053820	TRAY	4121-1206-03	1
1-12	1053821	COVER	4121-1209-01	1
1-13	1053222	REGULATING PLATE	4121-3126-02	1
1-15	1053221	REGULATING PLATE	4121-3125-02	1
1-16	1053220	GEAR	4121-3104-01	1
N/A	4011666	DOCUMENT PACK,P		1
2-01	1053817	EARTH GROUND	4121-2358-01	1
2-02	1053823	TORSION SPRING	4121-3763-02	1
2-03	1053824	MEMBER	4121-3761-01	1
2-04	1053825	HOLDER	4121-3762-02	1
2-05	1053826	LEVER	4121-1204-04	1
2-06	1053827	SHOULDER SCREW	4121-2003-02	4
2-07	1053828	TORSION SPRING	4121-2020-01	2
2-08	1053829	COVER	4121-1202-03	1
2-09	1053223	ROLLER	4121-3730-02	2
2-10	1053830	GEAR ASSY	4121-0752-01	1
2-11	1053224	GUIDE	4121-3750-04	1
2-12	1053831	GUIDE	4121-3701-01	2
3-01	2034287	PAPER PICK UNIT	4121-0331-03	1
3-02	1053832	ROLLER	4121-3001-01	1
3-03	1053833	SEPARATOR PAD	4121-0753-01	1
3-04	2027738	SOLENOID		1
4-01	1053834	ACTUATOR	4121-5518-01	1
4-02	2027764	PHOTO INTERRUPTER(PS3)		1
4-03	1040806	BUSHING		2
4-04	1040805	FUSING ROLLER-RR		1
4-05	1040803	BUSHING		1
4-06	2028490	TUBE LAMP(H1 230V)		1
4-07	1053835	FUSING ROLLER	4121-5501-01	1
4-08	1053836	PRESSURE SPRING	4121-5516-01	4
4-09	1040810	SEPARATOR		4
4-10	1040809	BUSHING		1
4-11	2034529	THERMAL SWITCH	4121-6302-01	1
4-12	2034530	THERMISTOR	4121-6701-01	1
4-13	2034291	FUSING UNIT 230V	4121-0353-02	1
450	2032729	PANEL		1
5-01	1053837	TORSION SPRING	4121-2013-01	1
5-02	1053839	FRAME	4121-0755-01	1
5-03	2034294	MOTOR	4121-6101-03	1
5-04	2034285	DRIVE UNIT	4121-0301-02	1
5-05	2034524	WIRE HARNESS ASSY	4121-6802-01	1
5-06	1053840	RUBBER FOOT	4121-2015-01	2
5-07	2034298	HV TRANSFORMER	4121-6203-03	1
5-08	2027747	SWITCH(PS2)		1
5-09	2034286	TRANSFER UNIT	4121-0311-02	1
5-10	1053841	GUIDE PLATE	4121-4132-01	1
5-11	1040763	ROLLER		1
6-01	1053842	BRACKET ASSY	4121-0152-03	1
6-02	2034295	FAN MOTOR	4121-6103-03	1
6-03	1053843	DUCT	4121-1252-03	1
6-04	2027750	SWITCH(PE1)		1
6-05	2027752	SWITCH		1
6-06	1053840	RUBBER FOOT	4121-2015-01	2
6-07	1053844	LEVER	4121-2308-01	1
6-08	1053845	EARTH GROUND	4121-2359-01	1
6-10	1053846	EARTH GROUND	4121-2404-01	1
6-200	2034870	BOARD ASSY.,MAIN	5618E,EUROPE ASP	1
7-01	2034297	POWER SUPPLY	4121-6202-04	1

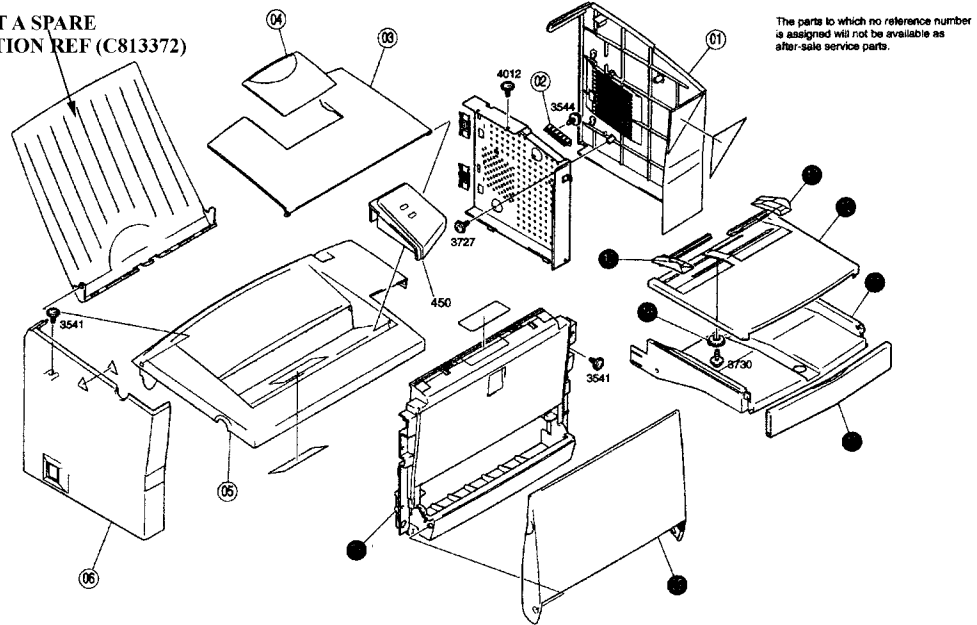
EPSON EPL5800

NOTE: ITEMS NOT LISTED ARE NOT AVAILABLE AS SPARES

Page 3

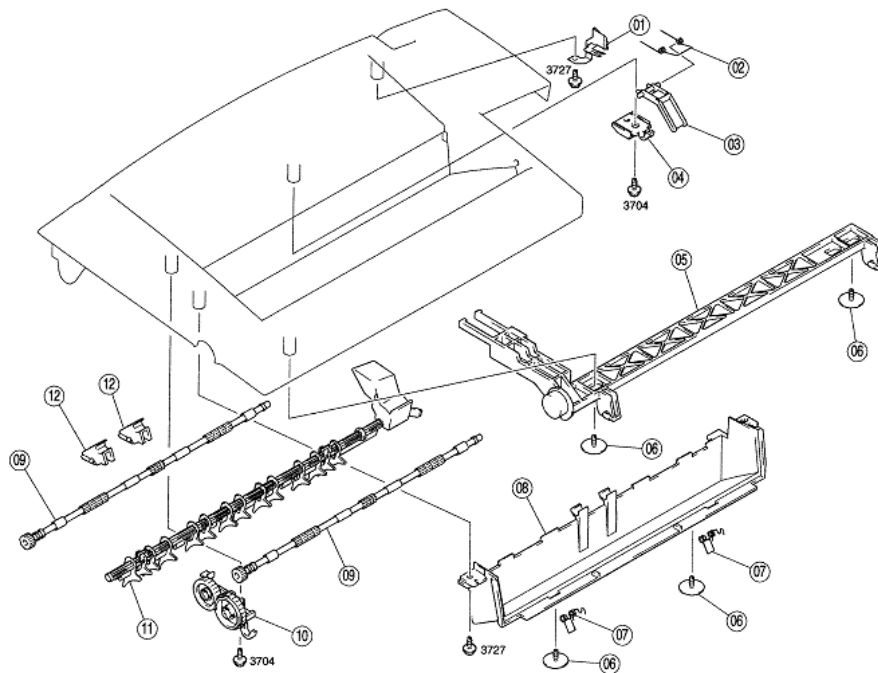
1 HOUSING

NOT A SPARE
OPTION REF (C813372)



FOR EPL-5800 NO.1 Rev.01 10185

2 PAPER EXIT SECTION



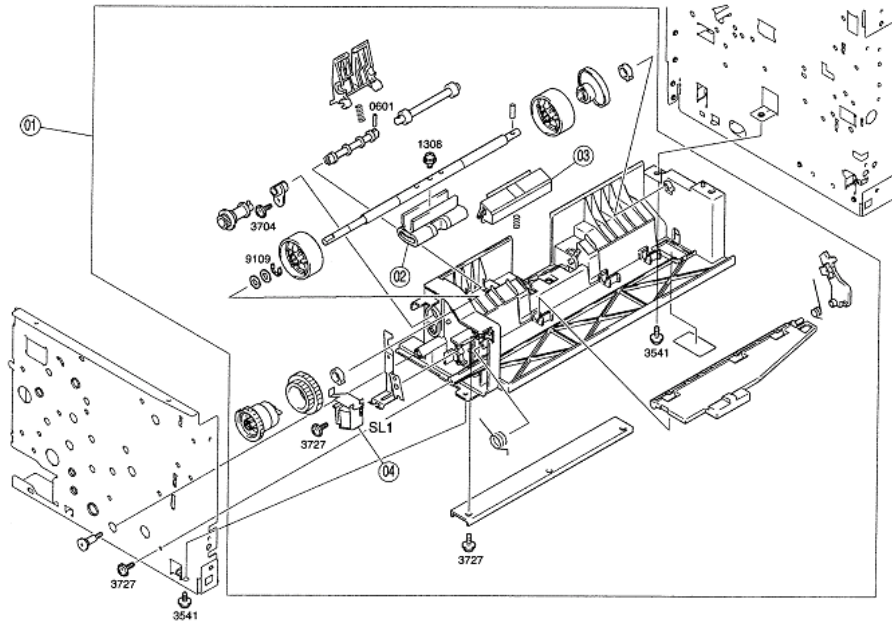
FOR EPL-5800 NO.2 Rev.01 10185

EPSON EPL5800

NOTE: ITEMS NOT LISTED ARE NOT AVAILABLE AS SPARES

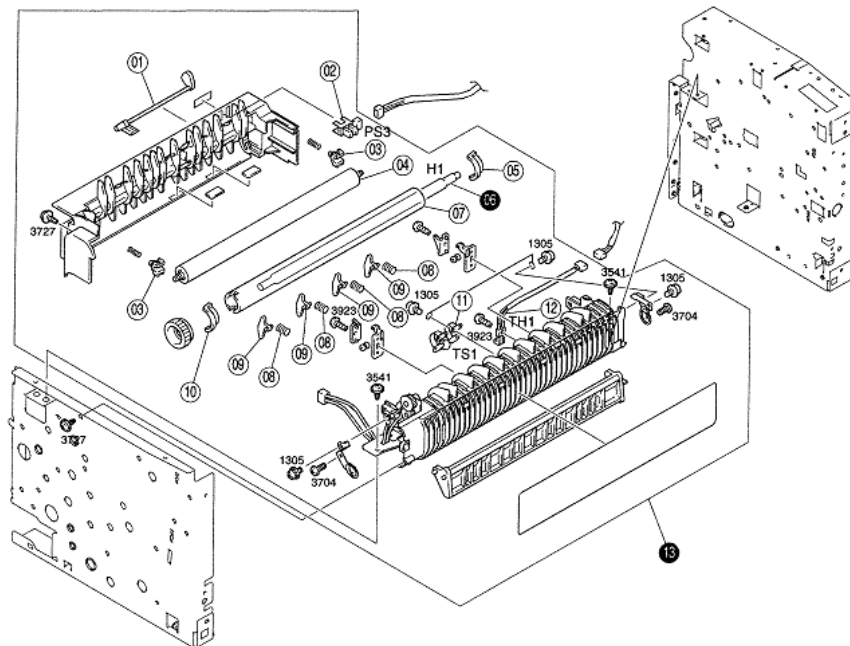
Page 4

3 PAPER TAKE UP SECTION



FOR EPL-5800 NO.3 Rev.01 10185

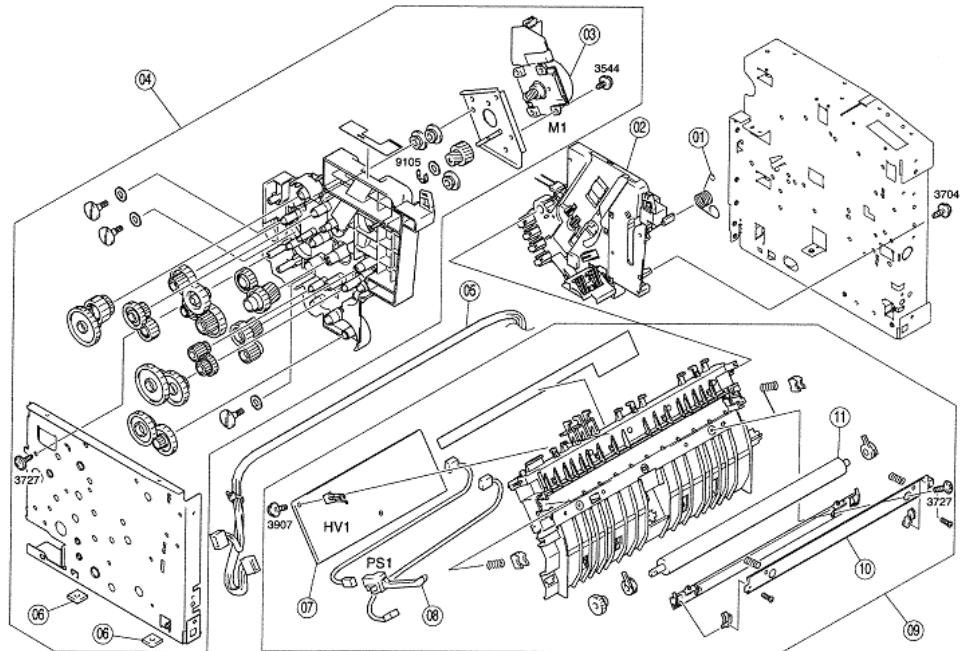
4 FUSING UNIT



FOR EPL-5800 NO.4 Rev.01 10185

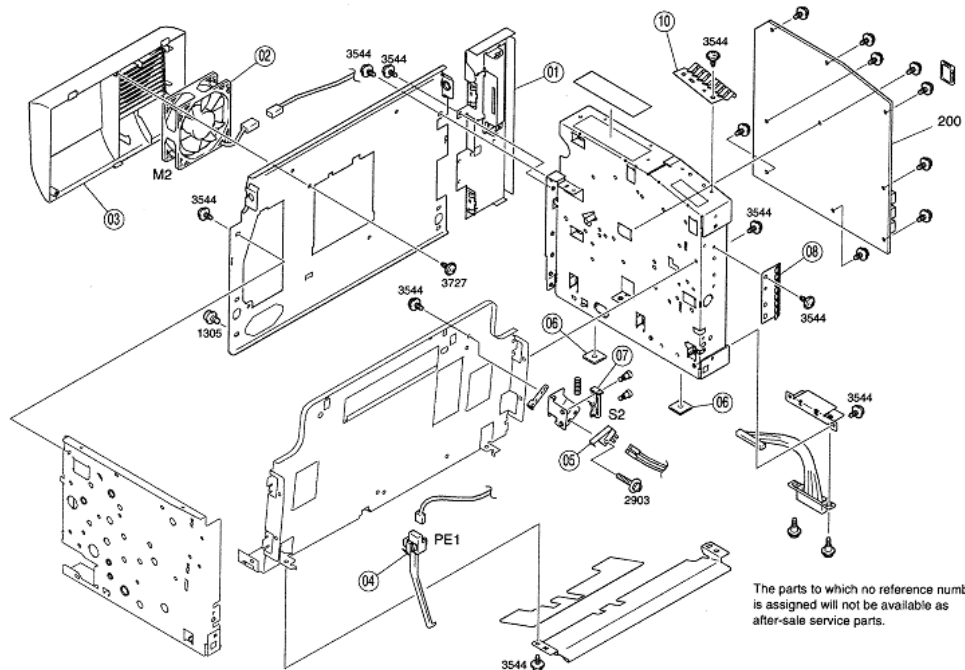
NOTE: ITEMS NOT LISTED ARE NOT AVAILABLE AS SPARES

5 DRIVE/TRANSFER UNIT



FOR EPL-5800 NO.5 Rev.01 10185

6 FRAMES



The parts to which no reference number is assigned will not be available as after-sale service parts.

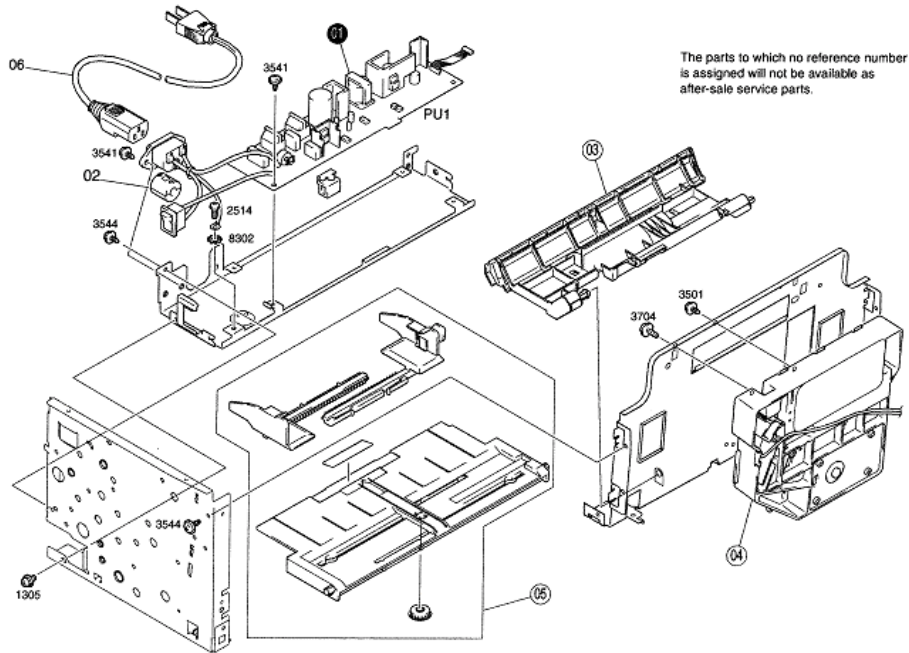
FOR EPL-5800 NO.6

EPSON EPL5800

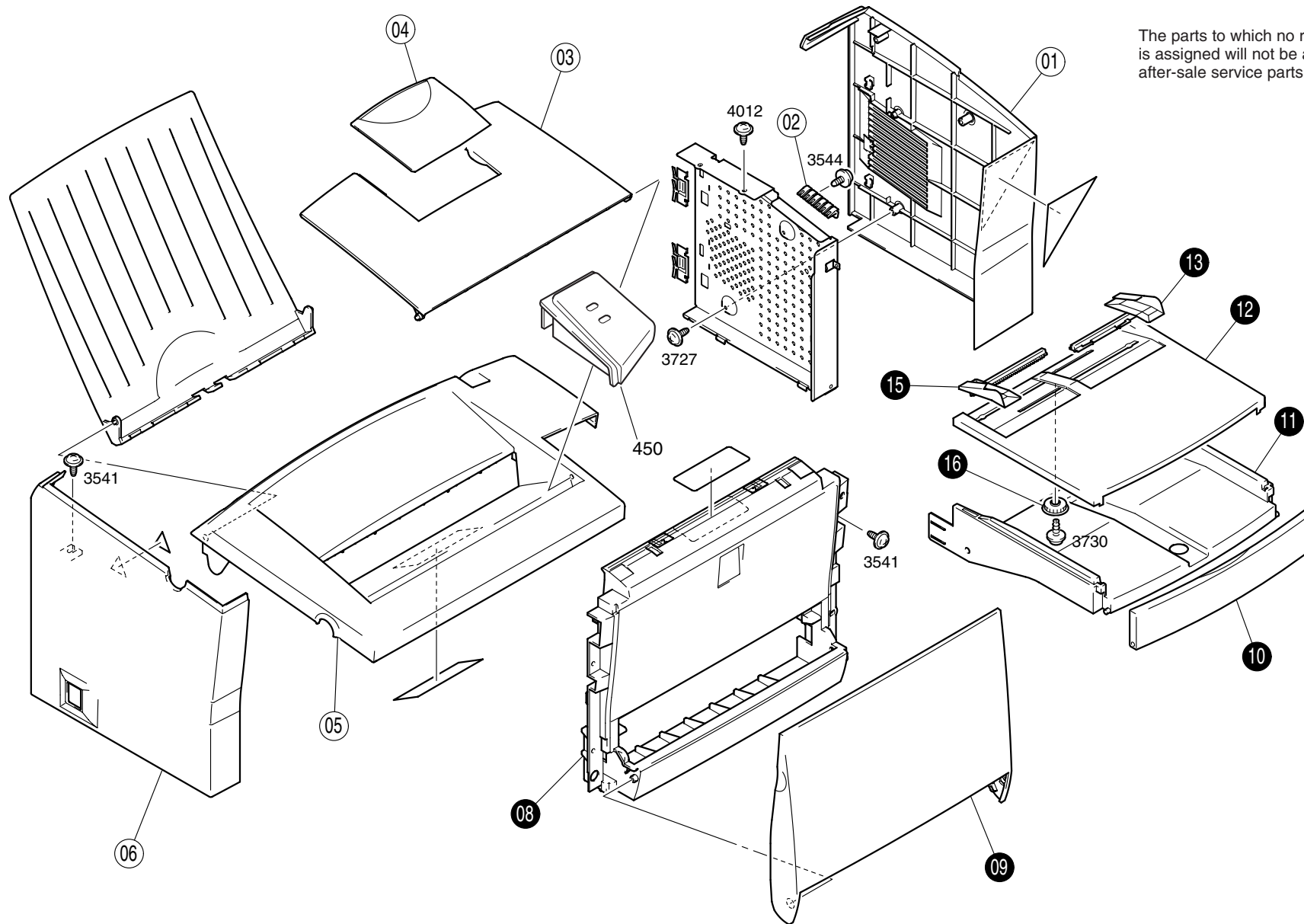
NOTE: ITEMS NOT LISTED ARE NOT AVAILABLE AS SPARES

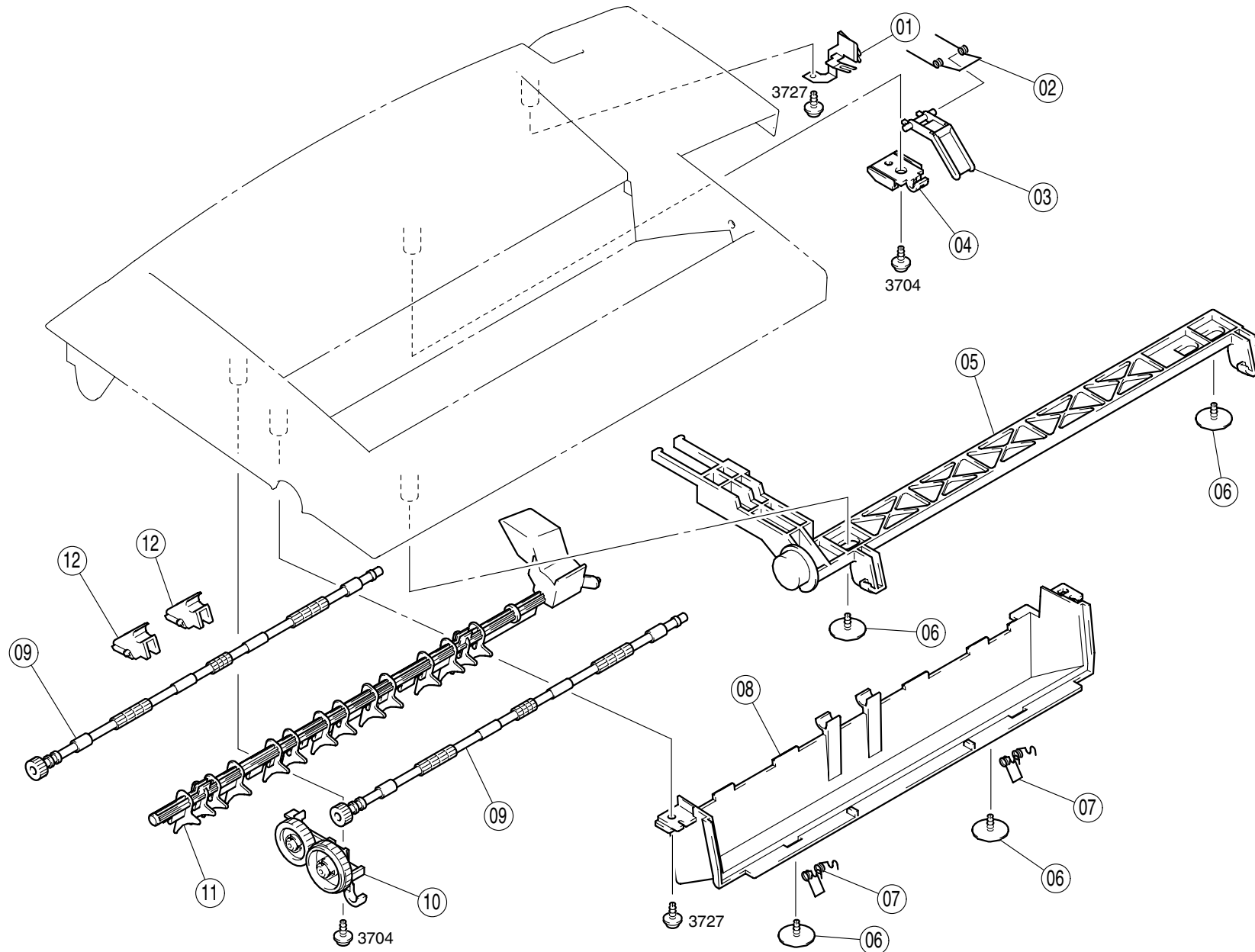
Page 6

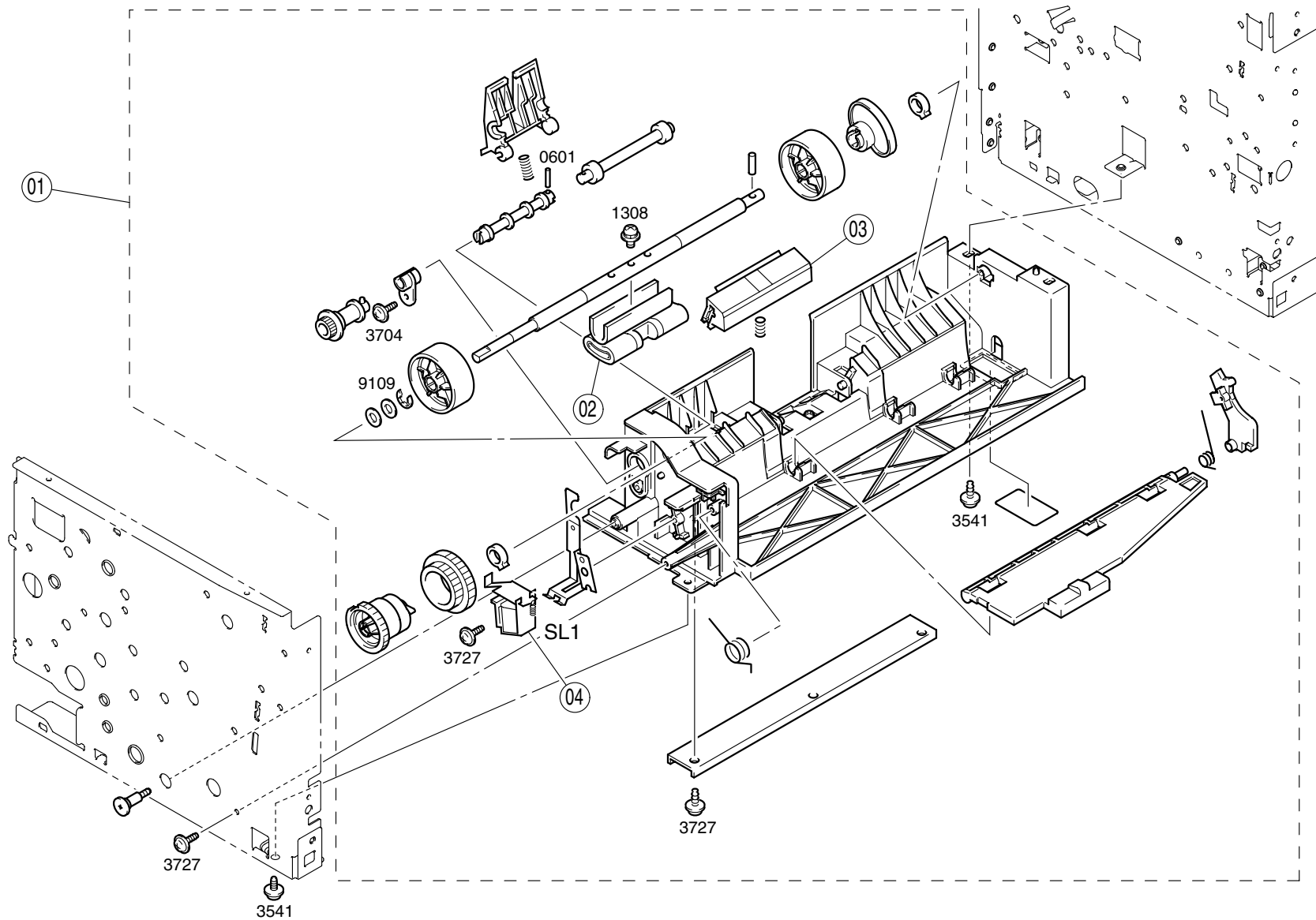
7 ELECTRICAL COMPONENTS

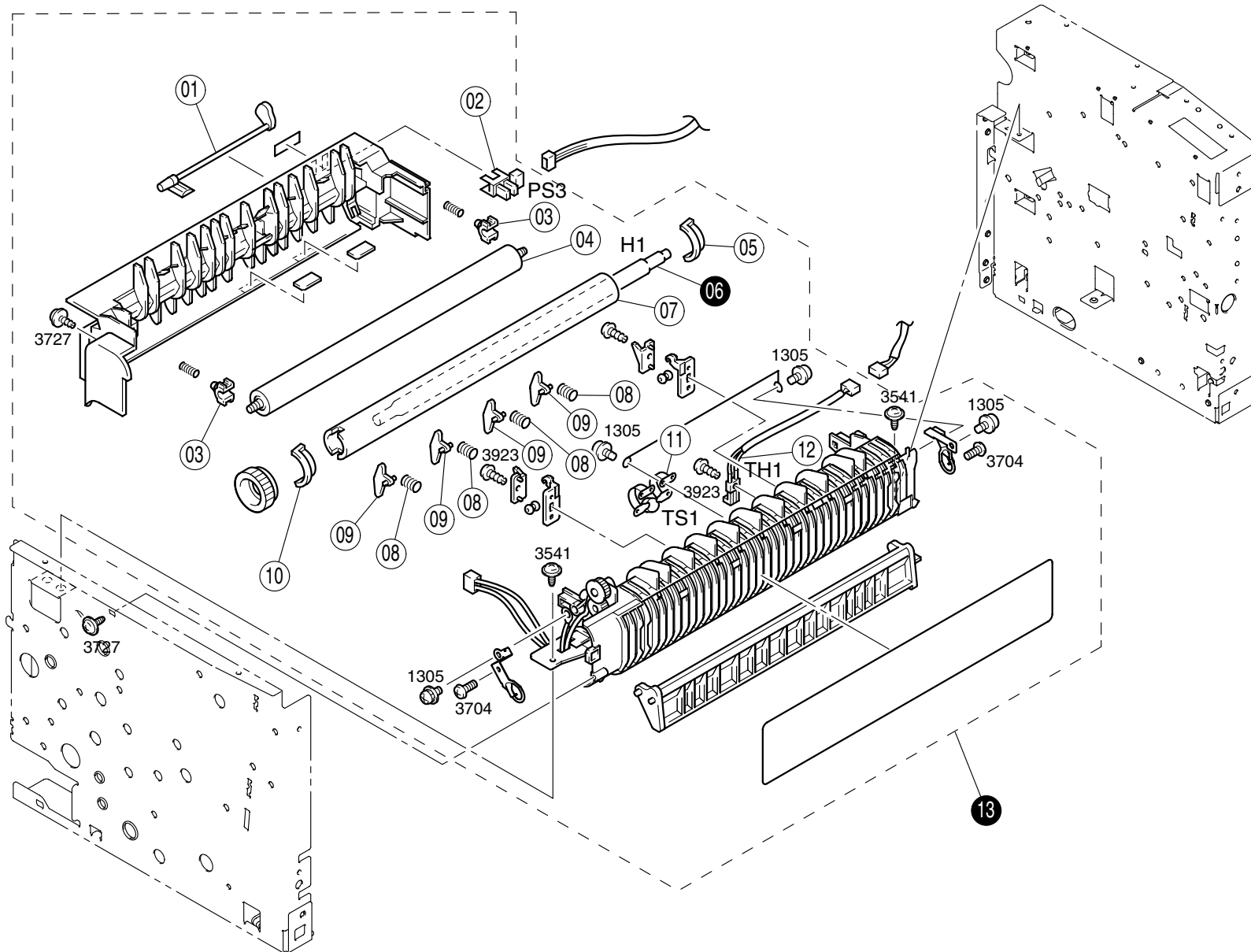


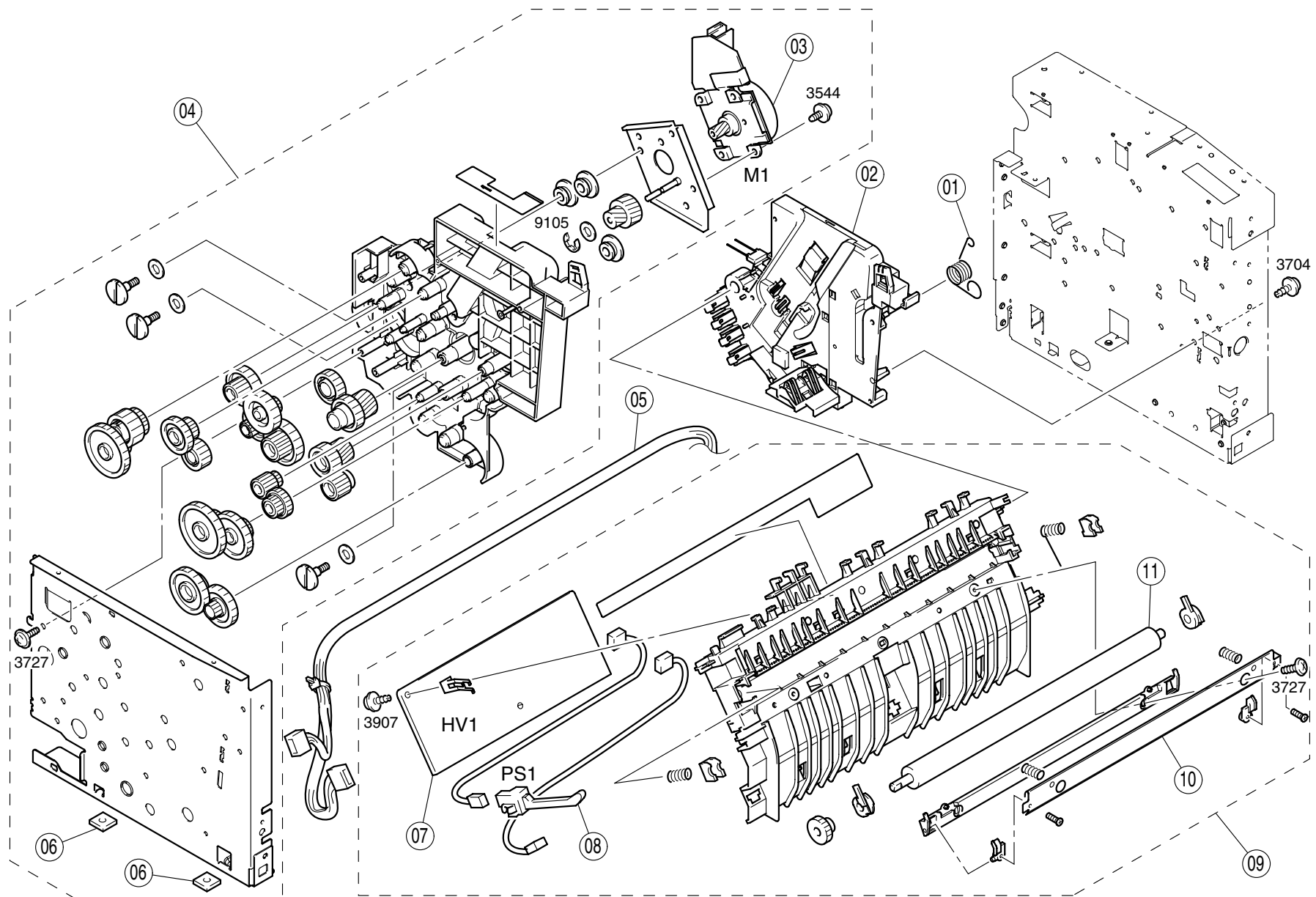
FOR EPL-5800 NO.7 Rev.01 10185

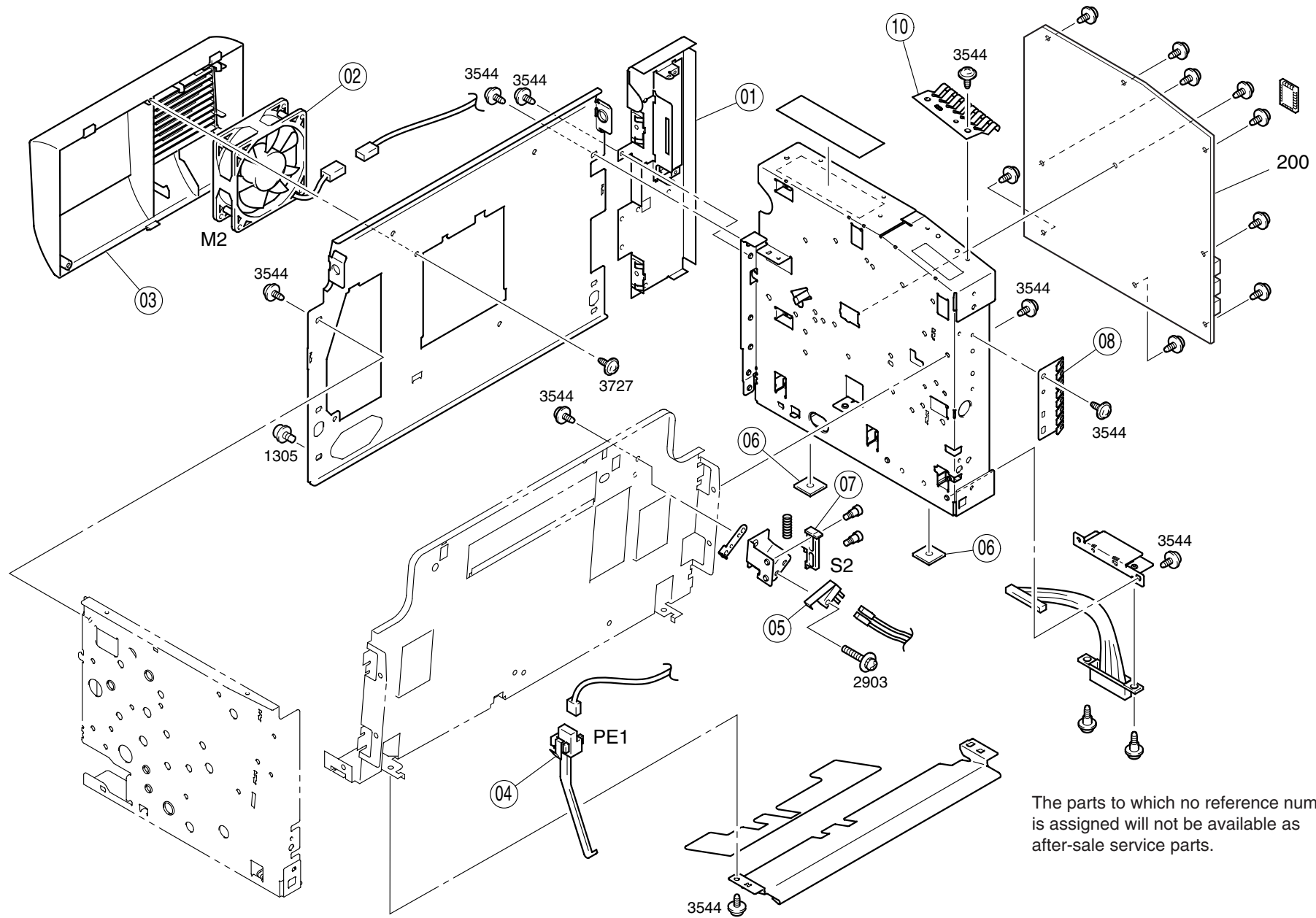












The parts to which no reference number is assigned will not be available as after-sale service parts.

