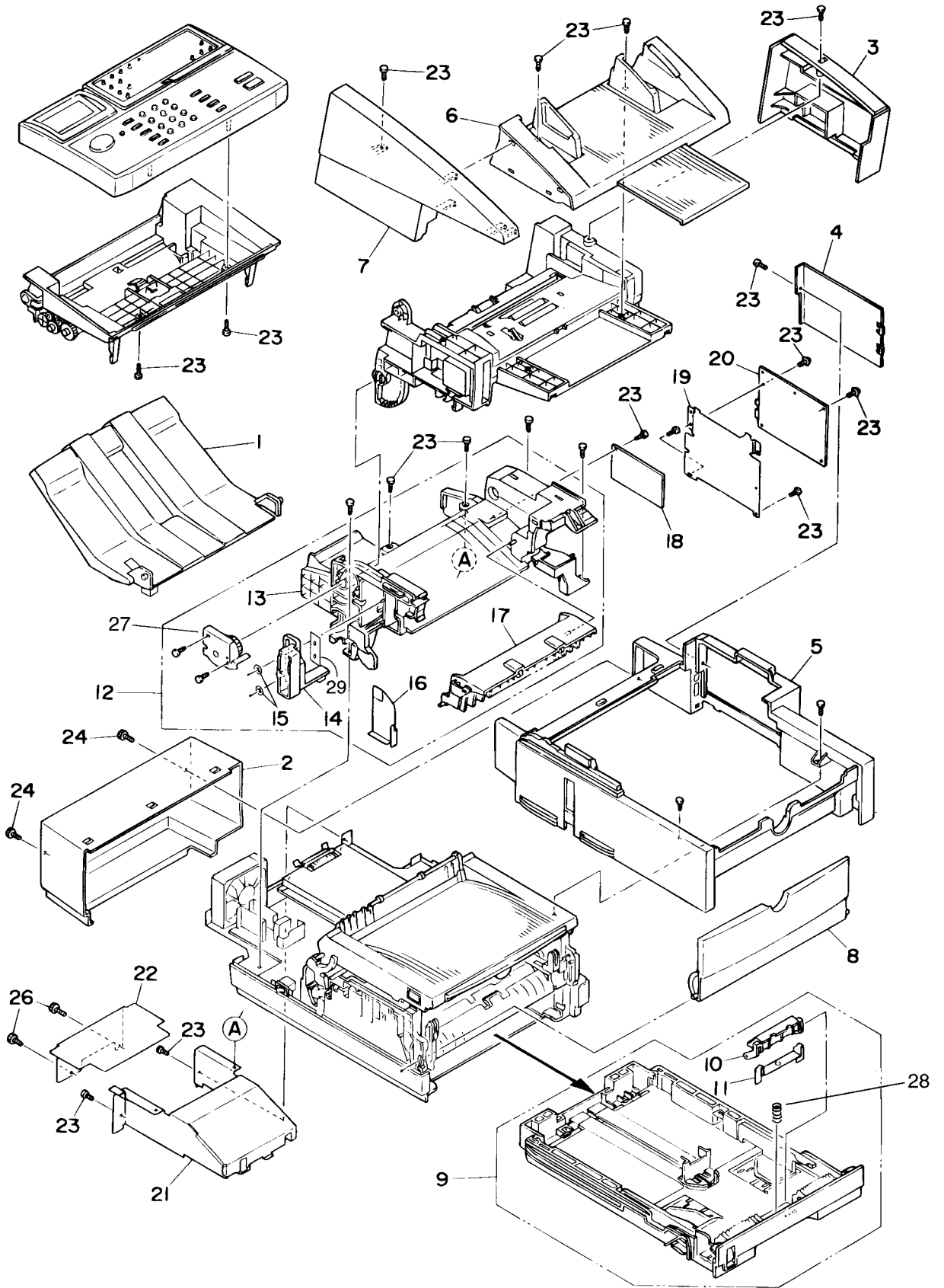


# Okifax 5750-5950

## Section 1 CABINET ASSEMBLY



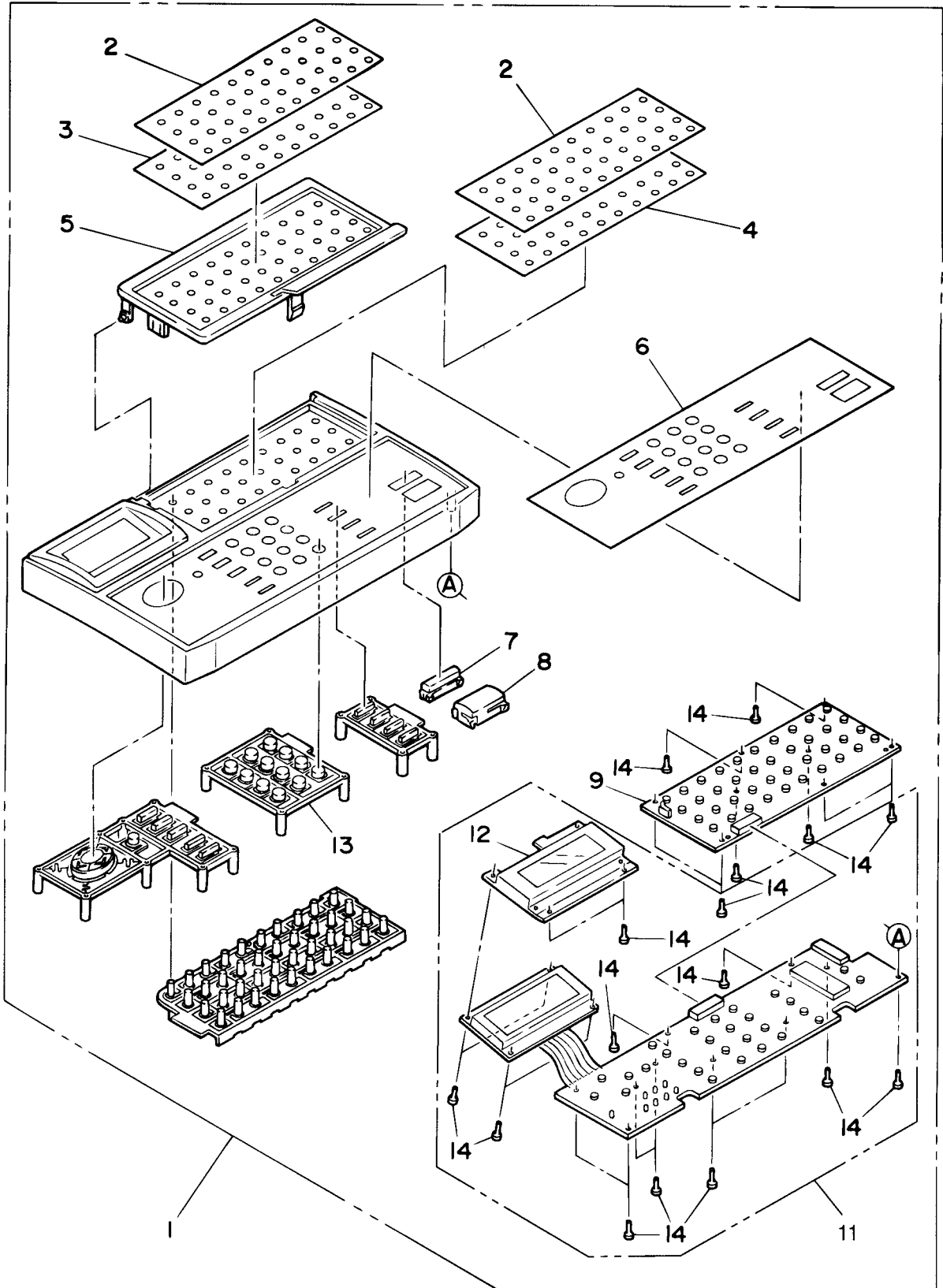
# Okifax 5750-5950

## Section 1 CABINET ASSEMBLY

Rev.	No.	Oki parts Number	Description	Q'ty	Remarks
	1	41333201	Stacker Assy.-Document 056/176	1	
	2a	40729501	Cover-Rear	1	OKI
	2b	40729503	Cover-Rear	1	BOSCH
	3a	40762001	Cover-Side (R)	1	OKI
	3b	40762003	Cover-Side (R)	1	BOSCH
	4a	40729401	Cover-NCU	1	OKI
	4b	40729403	Cover-NCU	1	BOSCH
	5a	40729301	Cover-Main	1	OKI
	5b	40729303	Cover-Main	1	BOSCH
	6a	40804001	Cover Assy. -Document Table	1	OKI
	6b	40804003	Cover Assy. -Document Table	1	BOSCH
	7a	40761901	Cover-Side (L)	1	OKI
	7b	40761903	Cover-Side (L)	1	BOSCH
	8a	2PA4128-1149G001	MANUAL FEED GUIDE ASSEMBLY	1	OKI
	8b	40955901	Guide Assy. -Manual_Feed	1	BOSCH
	9a	40473001	Cassette Assy. -Paper	1	OKI
	9b	40473002	Cassette Assy. -Paper	1	BOSCH
	10	3PP4083-5663G001	SEPARATION FRAME ASSEMBLY	1	
	11	40093801	Spring-Damper-Assy.	1	
	12	40802601	Frame Assy. -Stacker (FU)	1	
	13	40729601	Frame-Stacker (FU)	1	
	14	40729701	Lever-Change (PS)	1	
	15	4PB4013-3501P003	CS-RING (CS4-SUS)	2	
	16	40955801	Plate Assy. -Shield (PSU)	1	
	17	40802501	Guide Assy. -Paper (FD)	1	
	18	40757301	Board-H34	1	
	19	40730101	Plate-Shield (NCU)	1	
	20a	40044503	Board-UNC	1	ODA
	20b	40044314	Board-WN5	1	OLA
	20c	40044307	Board-WN5	1	AUS
	20d	40044401	Board-FN5	1	UKF
	20e	40971601	Board-DN5	1	GER, BOSCH
	20f	40044305	Board-WN5	1	OKI-INT
	20g	40044303	Board-WN5	1	OEL
	21	40730301	Plate-PKG	1	
	22	40945401	Plate Assy. -Rear	1	
	23		B SCREW B	1	
	24		Screw	1	
	25		TAPPING SCREW B1	1	
	26		Screw	1	
	27	40741001	Limiter-2way (F)	1	
	28	4PP4083-7728P001	SEPARATION SPRING A	1	
	29	41087801	Film-Spacer-PS	1	

# Okifax 5750-5950

## Section 2 CONTROL PANEL ASSEMBLY



# Okifax 5750-5950

## Section 2 CONTROL PANEL ASSEMBLY

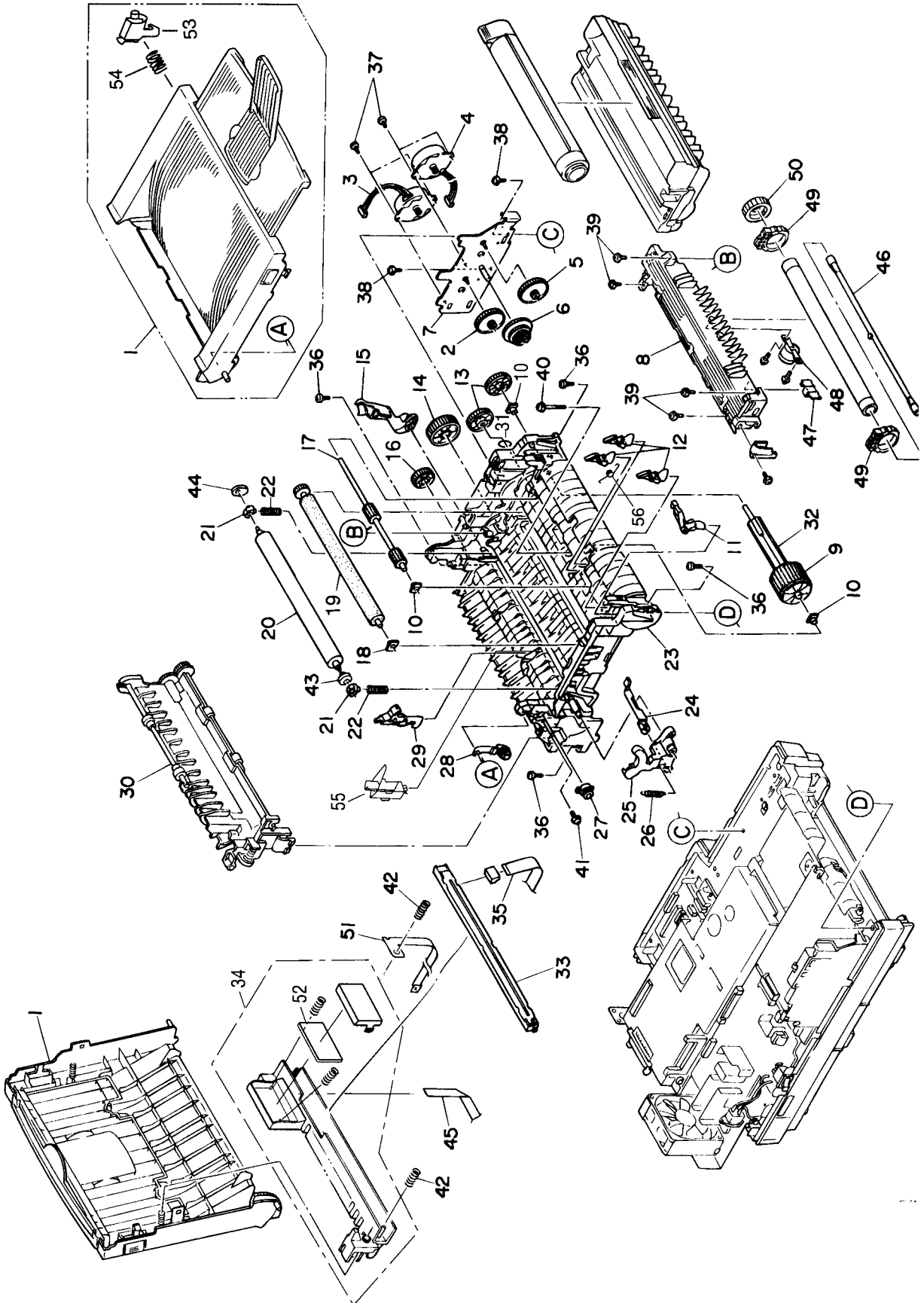
Rev.	No.	Oki parts Number	Description	Q'ty	Remarks
	1a	40802901	OP Panel Assy. -FX056/176	1	OKIFAX 5700/5750 OEL/UKF/GER Note 1
	1b	40802913	OP Panel Assy. -FX056/176	1	OKIFAX 5750 ODA/OLA/OKI-INT/AUS
	1c	40802906	OP Panel Assy. -FX056/176	1	FX-056, BOSCH
	1d	40802914	OP Panel Assy. -FX056/176	1	OKIFAX 5950 ODA/OLA/OKI-INT/AUS
	1f	40802912	OP Panel Assy. -FX056/176	1	OKIFAX 5900/5950 OEL/UKF/GER Note 1
	2	40733401	Film-Onetouch	1	
	3a	40733301	Sheet-Onetouch	1	
	3b	40733303	Sheet-Onetouch	1	GER
	3c	40733305	Sheet-Onetouch	1	BOSCH
	4a	40733302	Sheet-Onetouch	1	Except OKIFAX 5750
	4b	40733304	Sheet-Onetouch	1	Except OKIFAX 5750 GER
	5a	40919601	Cover-Onetouch056	1	OKIFAX 5700/5750
	5b	40732401	Cover-Onetouch	1	OKIFAX 5900/5950
	6a	40733207	Sheet-Function	1	OKIFAX 5750 OEL/ODA/OKI-INT
	6b	40733209	Sheet-Function	1	OKIFAX 5750, GER Note 2
	6c	40733205	Sheet-Function	1	BOSCH
	6d	40733208	Sheet-Function	1	OKIFAX 5950 OEL/ODA/OKI-INT
	6e	40733210	Sheet-Function	1	OKIFAX 5950, GER Note 2
	7a	40732601	Button-Start	1	OKI/BOSCH
	7b	40732602	Button-Start	1	LANIER
	8a	40732701	Button-Stop	1	OKI/BOSCH
	8b	40732702	BUtton-Stop	1	LANIER
	9	40807101	Board-P77	1	
	11	40807001	Board Assy. -P76	1	
	12	40733101	Holder-LCD	1	
	13a	40732801	Button-TenKey	1	OKI
	13b	40732803	Button-TenKey	1	BOSCH
	14		B SCREW A		

Note 1: Not included items 6, 7, 8 for OEL version.

Note 2: Parts will be supplied in OEL.

# Okifax 5750-5950

## Section 3 PRINTER ASSEMBLY



# Okifax 5750-5950

## Section 3 PRINTER ASSEMBLY 1/2

Rev.	No.	Oki parts Number	Description	Q'ty	Remarks
	1a	40796501	Stacker-Assy. -176	1	OKI
	1b	40796502	Stacker-Assy. -176	1	BOSCH
	2	40778101	Gear-Idle A (Z60/16)	1	
	3	40229001	Motor-Pulse (Main)	1	
	4	40396201	Motor-Pulse (Regist)	1	
	5	40295101	Gear-Idle B (Z60/16)	1	
	6	41224701	REDUCTION GEAR	1	
	7	40294801	Bracket-Motor (Caulking)	1	
	8a	40625702	Heat Assy. -176	1	120V, ODA
	8b	40625703	Heat Assy. -176	1	230V, Except ODA
	9	4PB4122-1280P001	Rubber-Hopping Roler	1	
	10	4PP4083-6022P002	Bearing A	3	
	11	4PP4083-6086G001	TONER SENSOR ASSEMBLY	1	
	12	4PP4083-6083P001	SENSOR PLATE (IN)	3	
	13	4PB4083-6024P001	ONE-WAY CLUTCH GEAR	2	
	14	4PP4083-6080P001	IDLE GEAR B	1	
	15	3PP4083-6054P001	RESET LEVER R	1	
	16	4PP4083-6081P001	IDLE GEAR C	1	
	17	40740601	Roller-Registration	1	
	18	40438001	Bearing-TR	1	
	19	40437801	Roller-Transfer-B Assy	1	
	20	3PB4083-6064P002	Roller-Back up	1	
	21	4PP4083-6052P001	BUSH A	2	
	22	4PP4083-7620P001	BIAS SPRING C	2	
	23	40771201	Frame-Lower Subassembly	1	
	24	3PP4083-6058P001	SWITCH ARM LEVER	1	
	25	3PP4083-6053P001	RESET LEVER L	1	
	26	4PP4083-6057P001	RESET SPRING	1	
	27	4PB4083-6197P001	DAMPER FRAME	1	
	28	4PP4083-6191G001	DAMPER ARM ASSEMBLY	1	
	29	40771401	Lever-Eject Sensor Assembly	1	
	30	40796201	Guide Assy.-Eject	1	
	31	4PP4083-6031P001	BEARING R	1	
	32	3PP4083-6020P001	HOPPING ROLLER SHAFT	1	
	33	40521201	LED Head Unit-51K	1	
	34a	40949602	Holder Assy. -TLK	1	Except OKI-INT, AUS
	34b	40541401	Cover-Head	1	Only OKI-INT, AUS
	35	40241703	Cord-LED Assembly	1	
	36		Screw	4	

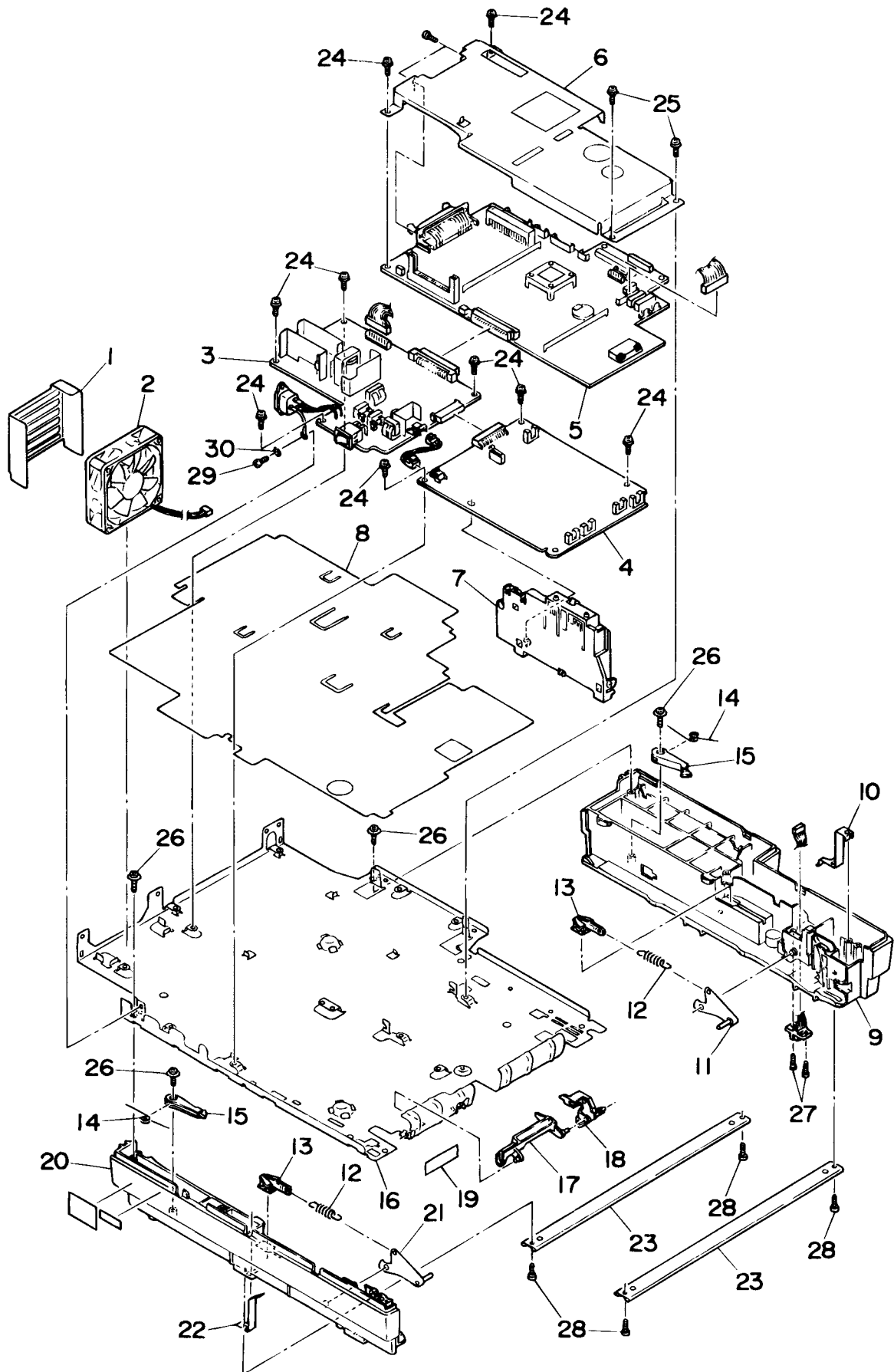
# Okifax 5750-5950

## Section 3 PRINTER ASSEMBLY 2/2

Rev.	No.	Oki parts Number	Description	Q'ty	Remarks
	37		S SCREW B	4	
	38		S SCREW C	1	
	39		TAPPING SCREW B1	4	
	40		CUP SCREW C	1	
	41		TAPPING SCREW B2	1	
	42	40640801	Spring-Head	2	
	43	4PP4120-1209P001	WASHER B	1	
	44	4PP4120-1210P001	WASHER C	1	
	45	2381014P0001	SMCD7X320BDX10/6 (BL) CONN PAR-	1	
	46a	3PB4120-1105P001	HAROGEN LAMP (Q) -F120	1	120V, ODA
	46b	3PB4120-1105P002	HAROGEN LAMP (Q) -F230	1	230V, Except ODA
	47	4PB4083-6106P001	HEAT SENSOR	1	
	48	4PB4083-6293P001	THERMOSTAT A	1	
	49	4PB4083-6128P001	BEARING B	2	
	50	4PP4083-6113P001	GEAR A	1	
	51	40891301	Film-FG (FAX)	1	
	52	41286801	Board-DLK	1	Except OKI-INT, AUS
	53	3PP4128-1140P002	Stacker Cover Holder	2	
	54	4PP4128-1245P001	Spring Knob	2	
	55	41027701	Sensor Wire Assembly	1	
	56	41415801	Spring-Write Sensor	1	

# Okifax 5750-5950

## Section 4 BASE ASSEMBLY





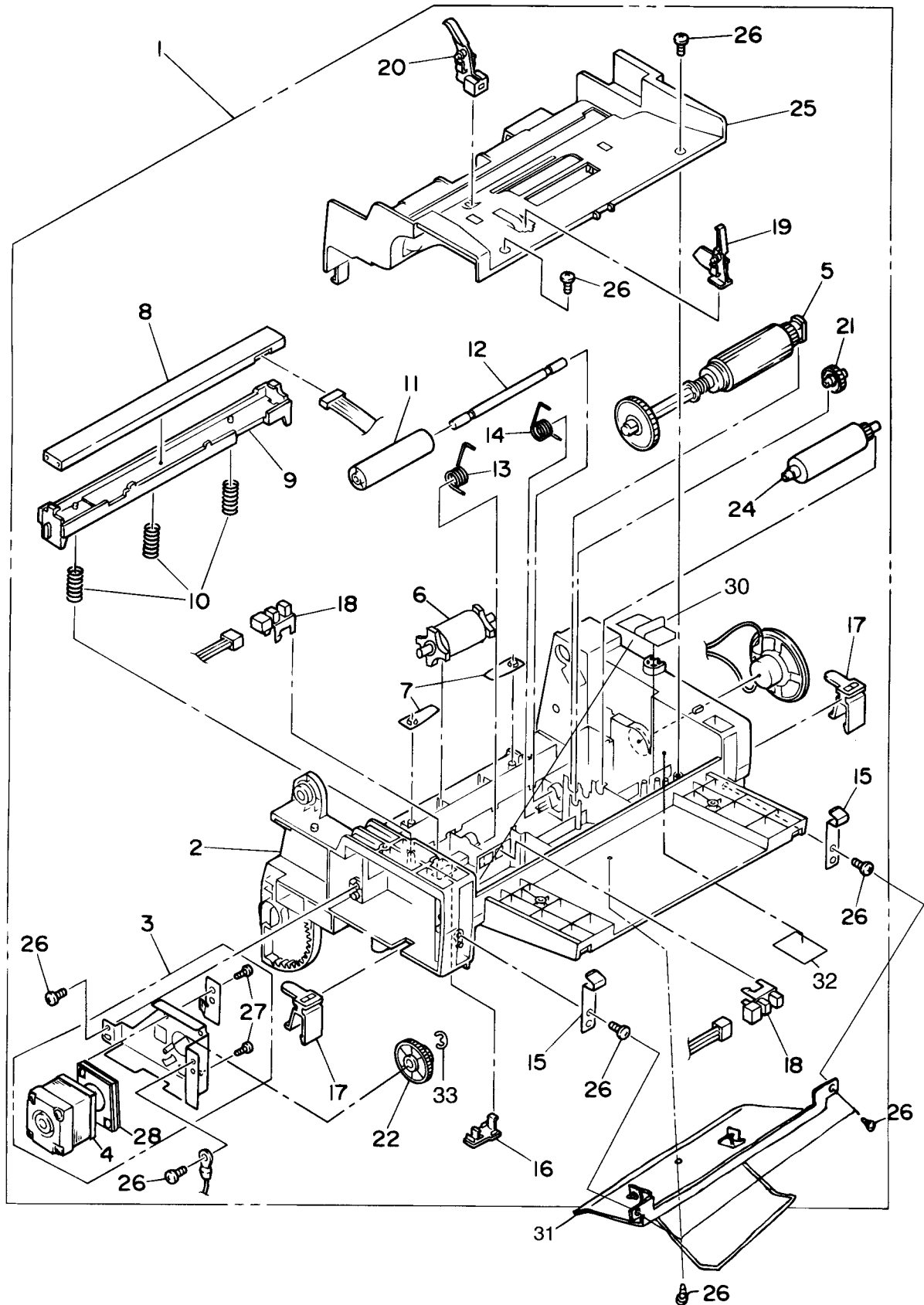
# Okifax 5750-5950

## Section 4 BASE ASSEMBLY

Rev.	No.	Oki parts Number	Description	Q'ty	Remarks
	1	40275501	Plate-Guard	1	
	2	41348401	Motor-Fan_DC	1	
	3a	40628501	FX-176 120V Power Supply	1	120V, ODA
	3b	40628601	FX-176 230V Power Supply	1	230V, Except ODA
	4	40660201	PWR unit-H10	1	
	5a	40755105	Board-M76-5	1	OKIFAX 5950
	5b	40755106	Board-M76-6	1	OKIFAX 5750
	6	40730201	Plate-Shield (MCNT)	1	
	7	3PA4083-6090G001	CONTACT ASSEMBLY	1	
	8	40763001	Sheet-Insulation	1	
	9a	40729901	Guide-Cassette (R)	1	OKI
	9b	40729903	Guide-Cassette (R)	1	BOSCH
	10	4PP4083-7662P001	FG PLATE C	1	
	11	4PP4083-7658G001	SHEET LINK R ASSEMBLY	1	
	12	4PP4083-7666P001	SHEET SPRING	2	
	13	4PP4122-1170P001	LINK PULL LEVER	2	
	14	4PP4083-7655P001	CASSETTE LOCK SPRING	2	
	15	3PP4083-7653P001	CASSETTE LOCK LEVER	2	
	16	40730001	Plate-Base	1	
	17	4PP4083-7667P001	PAPER END SENSOR LEVER	1	
	18	3PP4083-6154P001	CASSETTE DETECTION LEVER	1	
	19	4YC4061-5115P001	POLYETHYLENE TAPE	2	L = 0.09m
	20a	1PP4083-7651P001	CASSETTE GUIDE L	1	OKI
	20b	1PP4083-7651P004	CASSETTE GUIDE L	1	BOSCH
	21	4PP4083-7657G001	SHEET LINK L ASSEMBLY	1	
	22	4PP4083-7665P001	FG PLATE D	1	
	23	3PP4083-7660P001	BEAM PLATE	2	
	24		B SCREW B		
	25		B SCREW B		
	26		TAPPING SCREW B1		
	27		Screw		
	28		Screw		
	29		S SCREW C		
	30		Washer		

# Okifax 5750-5950

## Section 5 FRAME ASSEMBLY-SCANNER (L)



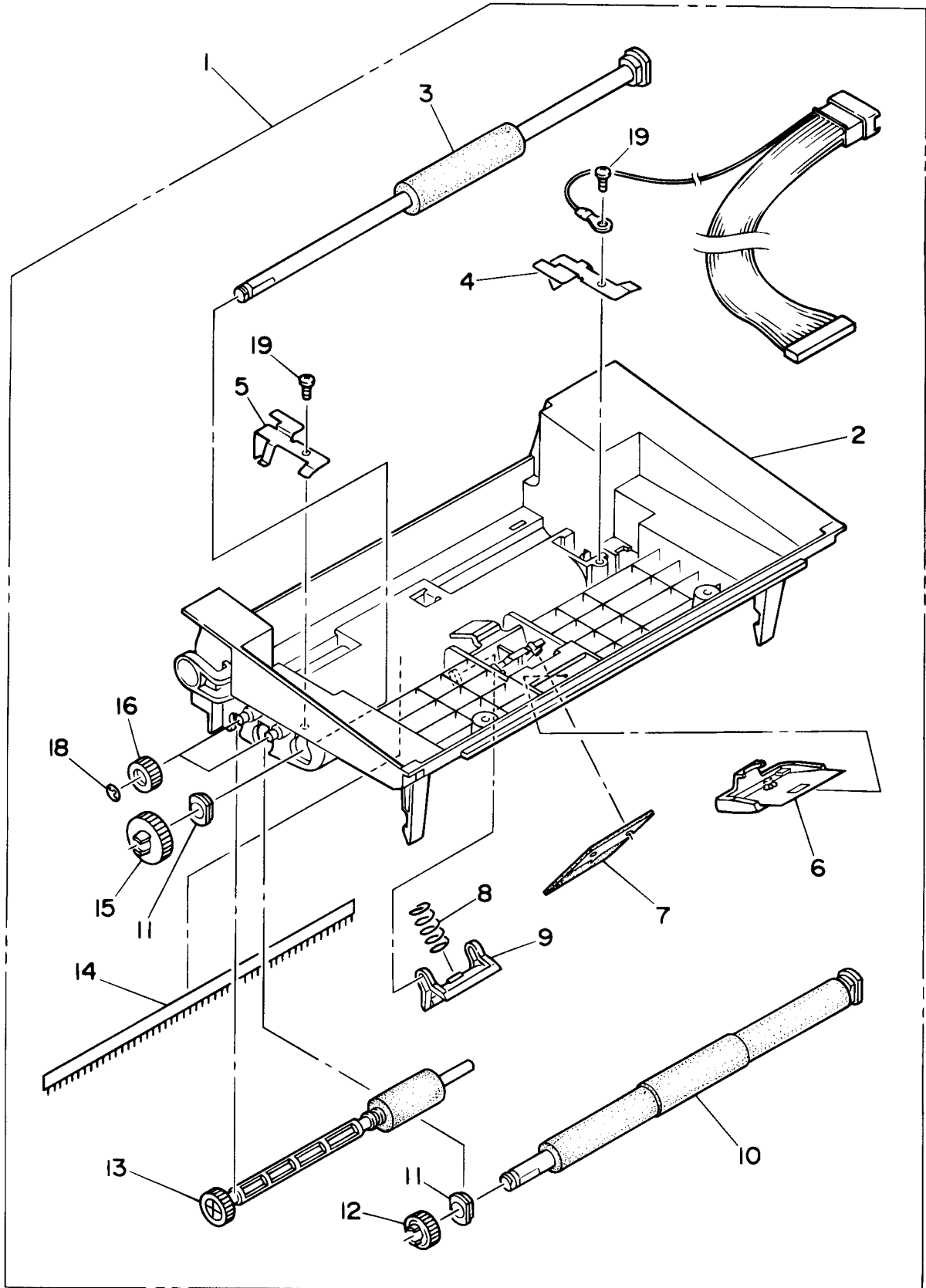
# Okifax 5750-5950

## Section 5 FRAME ASSEMBLY-SCANNER (L)

Rev.	No.	Oki parts Number	Description	Q'ty	Remarks
	1	40803504	Frame Assy.-Scanner (L)	1	
	2	40731201	Frame-Scanner (L)	1	
	3	41078003	Motor Assy.-Scanner-A	1	
	4	40803803	Motor-Pulse (S)	1	
	5	40976401	Roller Assy. -ADF	1	
	6	40983301	Roller-Exit_S	1	
	7	4PP4120-1025P001	EJECT PINCH SPRING	2	
	8	41413801	Contact Image Sensor (A4, 300DPI)	1	40809901/41181801
	9	40731501	Holder-CIS	1	
	10	40731901	Spring-CIS	3	
	11	4PP3529-5045P001	PINCH ROLLER	1	
	12	40802201	Shaft-Pinch	1	
	13	40732101	Spring-Pinch (L)	1	
	14	40732201	Spring-Pinch (R)	1	
	15	4PP4120-1032P001	LATCH SPRING	2	
	16	40915801	Cap PC2	1	
	17	40733601	Stopper-Scanner	2	
	18	4YB4120-1137P001	PHOTO SENSOR	2	
	19	3PP4120-1016P001	PC1 LEVER	1	
	20	3PP4120-1017P001	PC2 LEVER	1	
	21	4PP3529-5033P001	GEAR (Z20)	1	
	22	41244401	Gear-Idle_Z75-15	1	
	24	4PA3529-5082G001	SUB-ROLLER ASSEMBLY	1	
	25	40731301	Guide-Paper	1	
	26		B SCREW B		
	27		S SCREW B		
	28	41283901	Rubber-Damping	1	
	30	123A1120P0004	M-200 Clamp	2	
	31	41043601	Plate Assy.-Stacking	1	
	32	40947001	Tape-Insulation	1	L = 0.04m
	33	RE4-SUS	Ring	1	

# Okifax 5750-5950

## Section 6 FRAME ASSEMBLY-SCANNER (U)



# Okifax 5750-5950

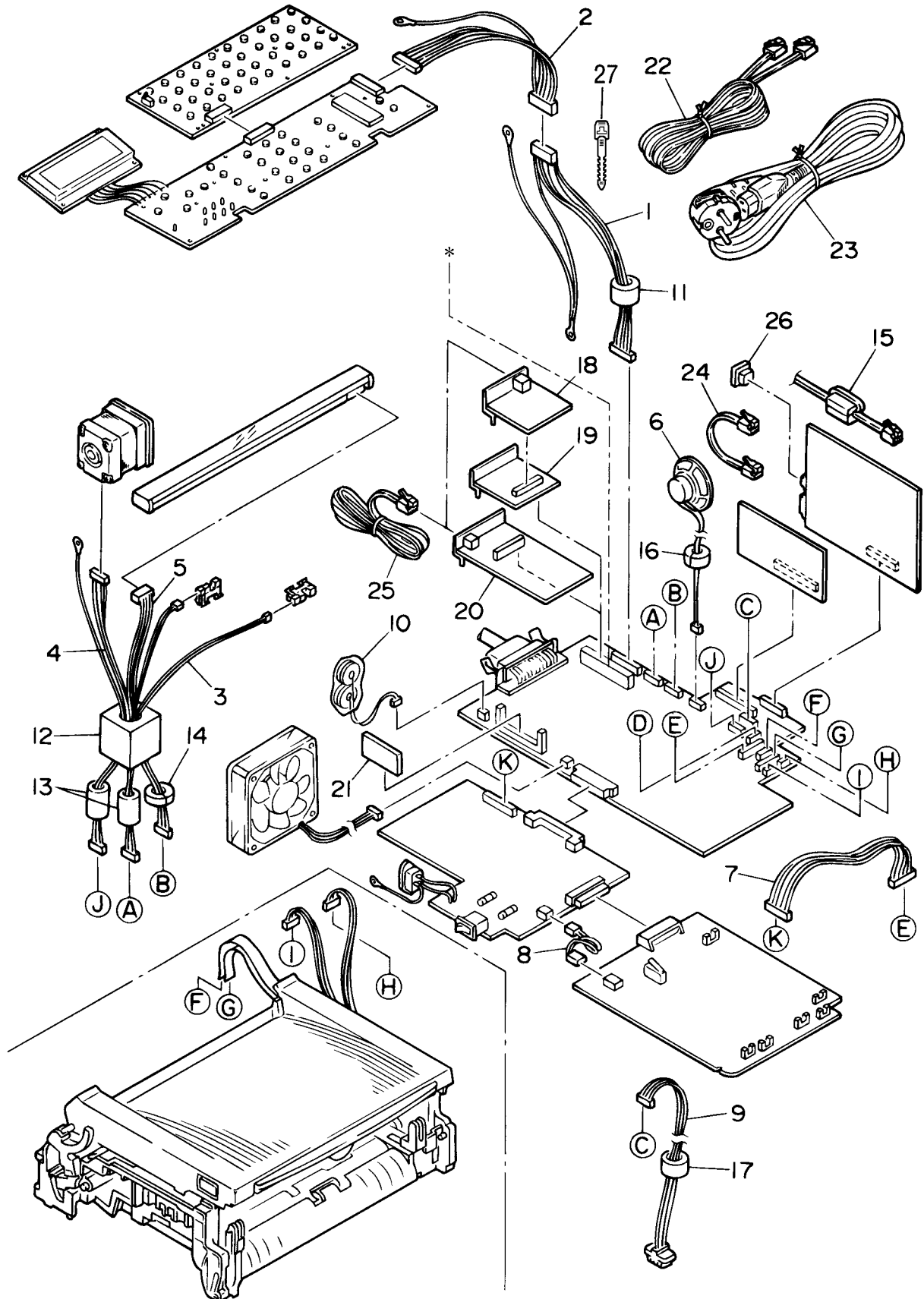
## Section 6 FRAME ASSEMBLY-SCANNER (U)

Rev.	No.	Oki parts Number	Description	Q'ty	Remarks
	1	40803401	Frame Assy. -Scanner (U)	1	
	2	40731101	Frame-Scanner (U)	1	
	3	3PA4120-1045G001	FEED ROLLER (1) ASSEMBLY	1	
	4	4PP4120-1226P001	Earth-Plate (SR)	1	
	5	4PP4120-1227P001	Earth-Plate (SL)	1	
	6	40803602	Plate Assy. -Pinch	1	
	7	41276701	Rubber-Separation	1	
	8	40732001	Spring-ADF	1	
	9	4PP3527-5153P001	BACK-UP PLATE	1	
	10	40935801	Roller Assy. -Sensor	1	
	11	4PP3522-3568P001	BEARING ADF	2	
	12	4PP3529-5034P001	GEAR (Z22)	1	
	13	3PA4120-1052G001	EXIT ROLLER ASSEMBLY	1	
	14	40983001	Bar-Discharge	1	
	15	4PP3529-5035P001	GEAR (Z28)	1	
	16	4PP3527-5034P001	GEAR (Z16)	2	
	18	4PB4013-3501P003	CS-RING (CS4-SUS)	2	
	19		B SCREW B	2	

© OKI Systems (UK) Ltd. For further information contact TCL Technology Ltd on +44 (0)1865 368232 or spares@tcltech.co.uk

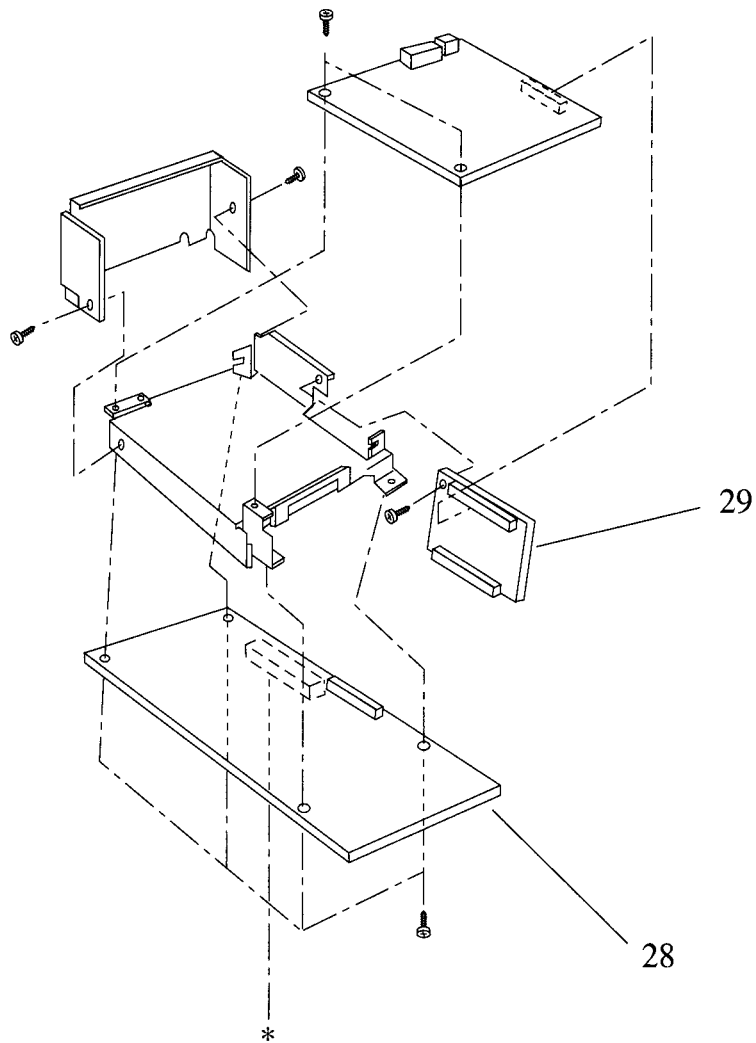
# Okifax 5750-5950

## Section 7 CABLES, OPTION BOARDS



# Okifax 5750-5950

## Section 7 CABLES, OPTION BOARDS



# Okifax 5750-5950

## Section 7 CABLES, OPTION BOARDS

Rev.	No.	Oki parts Number	Description	Q'ty	Remarks
	1	40807901	CONN Cord-OPE2	1	
	2	40807801	CONN Cord-OPE1	1	
	3	40807601	CONN Cord-PC1/PC2	1	
	4	40790701	CONN Cord-Wire Motor	1	
	5	40807501	CONN Cord-CIS	1	
	6	40916401	Speaker	1	
	7	40807701	CONN Cord-PSU (3.3V)	1	
	8	40808001	CONN Cord-PSU (High/Low)	1	
	9	3YS4111-3527P002	CONNECTOR CORD	1	
	10	40805101	Battery Assy. -Secondary	1	
	11	105A1070C0004	TFC-23-11-14 Core	1	
	12	105A1062C0002	0443-167251 Core	1	
	13	105A1068C1006	SFC-4 Core	2	
	14	105A1051C2001	TR-23-11-14 Core	1	
	15	105A1068C1004	SFC-8 Core	1	
	16	105A1051C1003	TR-16-8-13 Core	1	
	17	105A1051C3002	TR-28-16-20 Core	1	
	18	40924601	Board-Interface MLET B07	1	
	19	40804901	PCB Unit-DM1	1	
	20	40805001	PCB Unit-G4A	1	
	21a	40755201	Board-RA1 (2MB)	1	2MB
	21b	40755202	Board-RA1_2 (4MB)	1	4MB
	21c	40755203	Board-RA1-3	1	8MB
	22	236A3161P0002	FTC2-001-9SG	1	ODA (TEL/LINE Cable)
	23a	3YS4011-1329P002	AC CORD A	1	OKI-INT
	23b	4YS3512-1485P001	AC CORD	1	ODA, Note 1
	23c	40959001	Cord Power Supply	1	OEL (AC CORD), Note 2
	24	4YS4111-5581P001	CORD (TEL1-TEL2)	1	
	25	40962001	ISDN modular cord (4wire, 3m)	1	
	26	223A7010P0003	TM-6-DC1, Connector-Plug	1	
	27	LP-6041-B1	Tying Cord	1	
	28	41154301	Board-G3A	1	Dual Line
	29	41201201	Board-DM2	1	

Note 1: Parts will be supplied by ODA.

Note 2: Parts will be supplied by OUK.