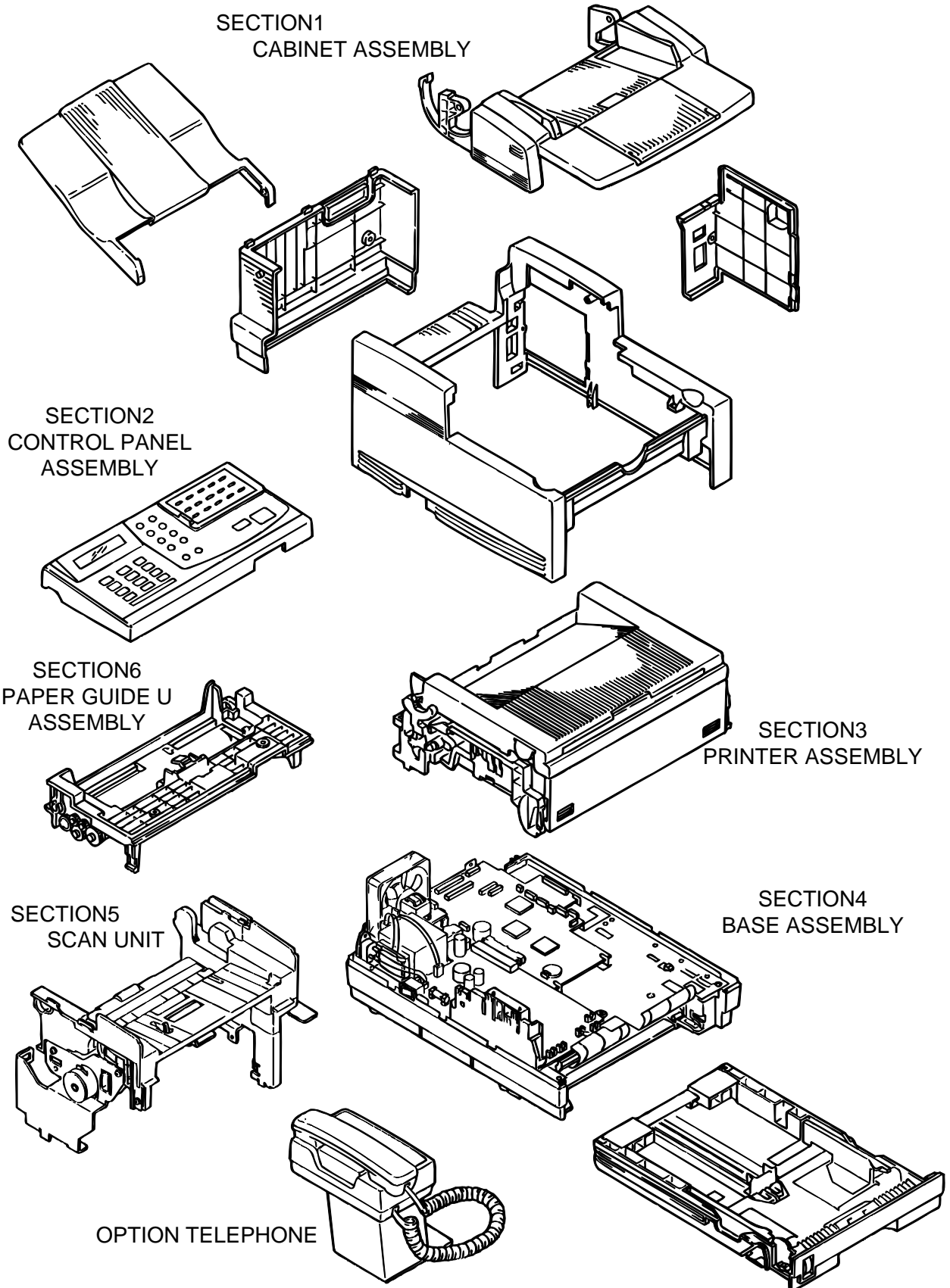
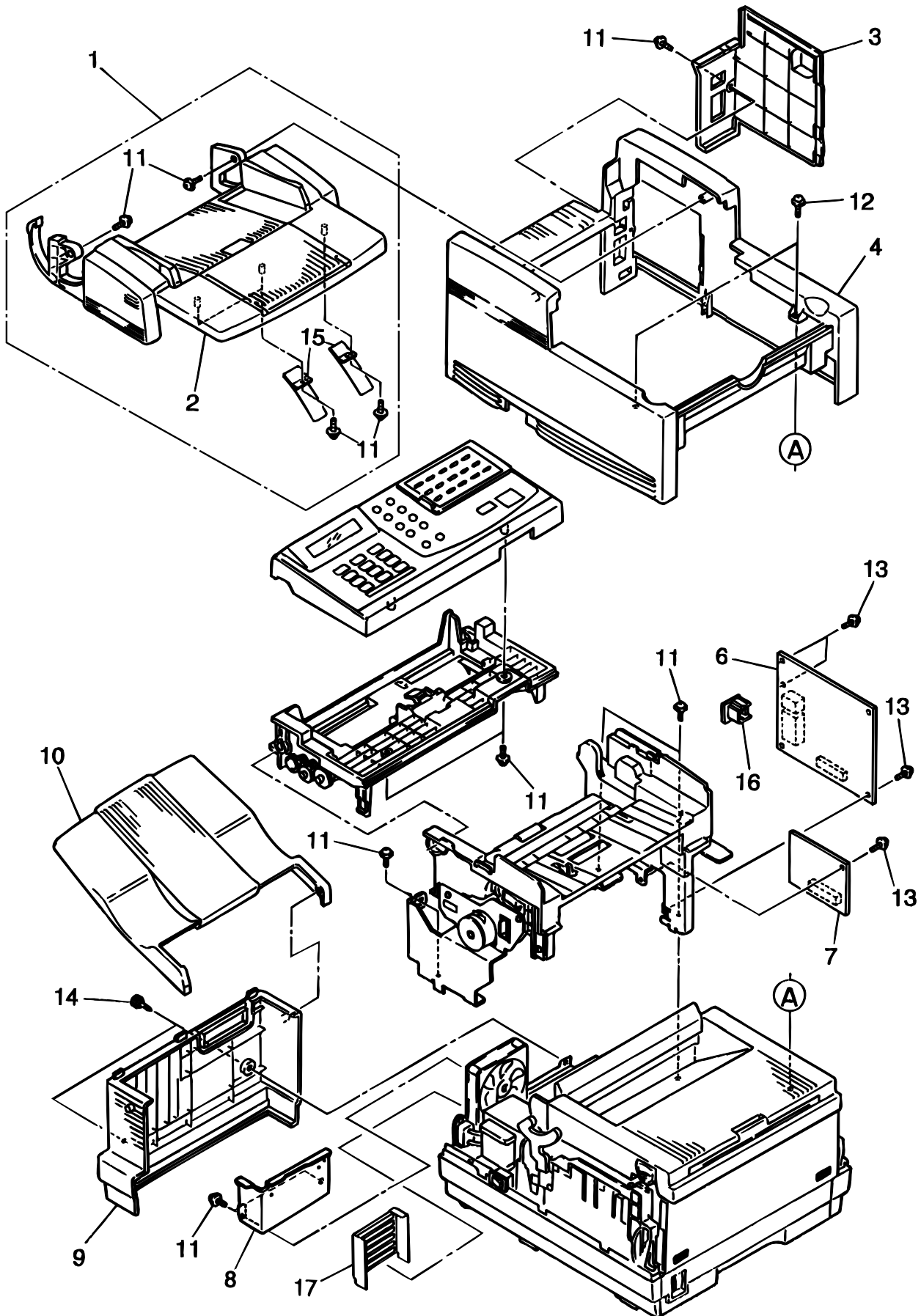


**Okifax**  
**5200-5300-5500-5600**

**ASSEMBLY**



## SECTION 1 CABINET ASSEMBLY

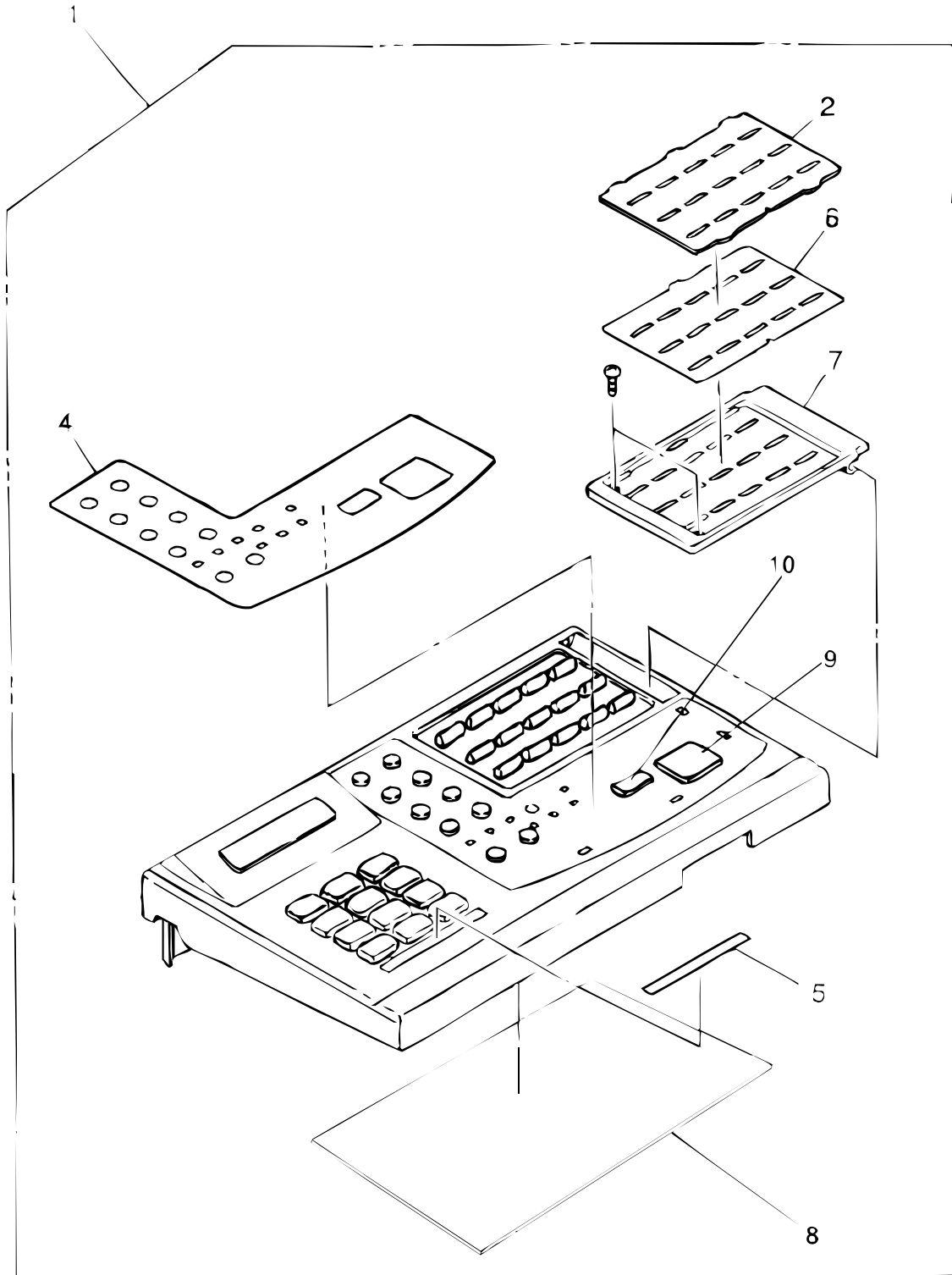


**Section 1 CABINET ASSEMBLY**

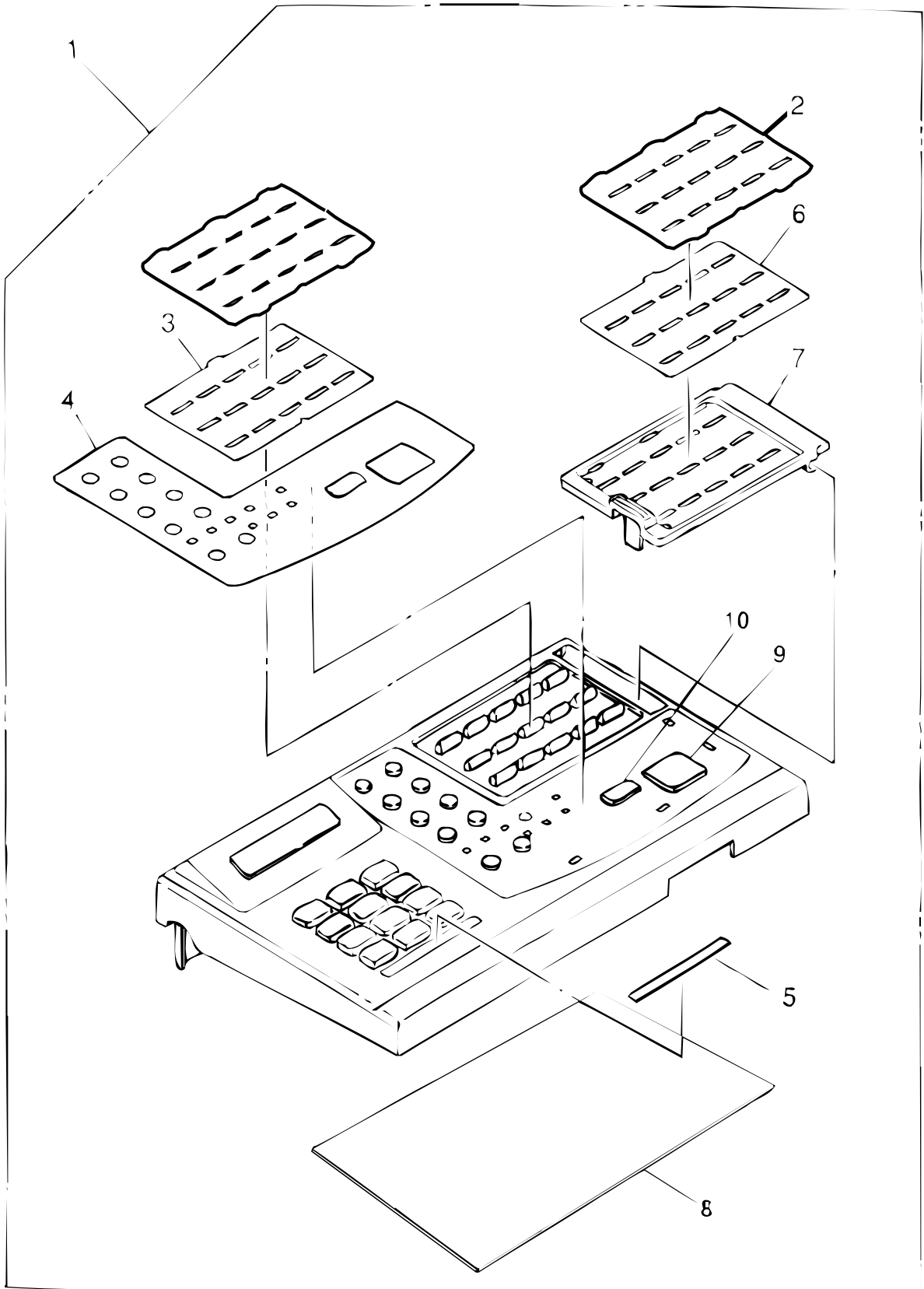
Rev.	No.	Oki parts Number	Description	Q'ty	Remarks
	1a	1PA4120-1079G1	Document Hopper Assy.	1	OKI
	1b	1PA4120-1079G4	Document Hopper Assy.	1	TN
	2a	2PP4120-1084P1	Sub-Hopper	1	OKI
	2b	2PP4120-1084P4	Sub-Hopper	1	TN
	3a	2PP4120-1091P1	NCU Cover	1	OKI
	3b	2PP4120-1091P4	NCU Cover	1	TN
	4a	1PP4120-1089P1	Main Cover	1	OKI
	4b	1PP4120-1089P4	Main Cover	1	TN
	5a	2PA4083-6130G1	Manual Feed Guide Assembly	1	OKI
	5b	40051902	Guide Assy,-Manual Feed	1	TN
	6a	40044501	Board-UNC	1	US (050VP)
	6b	40044401	Board-FN5	1	UK, France
	6c	40044101	Board-DN5	1	GER.
	6d	40044303	Board-WN5	1	OEL-INT
	6e	40044307	Board-WN5	1	OKI-INT
	6f	40044502	Board-UNC	1	US (FX-175VP)
	7a	40274601	Board-S34	1	for OKIFAX 5600/5500
	7b	40274602	Board-S34	1	Only for 5500/5600VE machine. (Only for Board-E17)
	8	3PP4120-1088P1	Partition Plate	1	
	9a	1PP4120-1090P1	Rear Cover	1	
	9b	1PP4120-1090P4	Rear Cover	1	TN
	9c	40545301	Rear Cover	1	For 5300ENC
	10	1PP4120-1093P1	Stacker	1	
	11		Screw		
	12		Screw		
	13		Screw		
	14	4PB4120-1136P1	Knob Screw	2	
	15	4PP4120-1161G1	Assist Guide	3	
	16	223A7010P003	Dust Cover	1	Note 1
	17	40275501	Plate-guard	1	

Note 1: Required number of this part is arranged by each country.

**SECTION 2 CONTROL PANEL ASSEMBLY (OKIFAX 5200/5300)**



**SECTION 2 CONTROL PANEL ASSEMBLY (OKIFAX 5500/5600)**



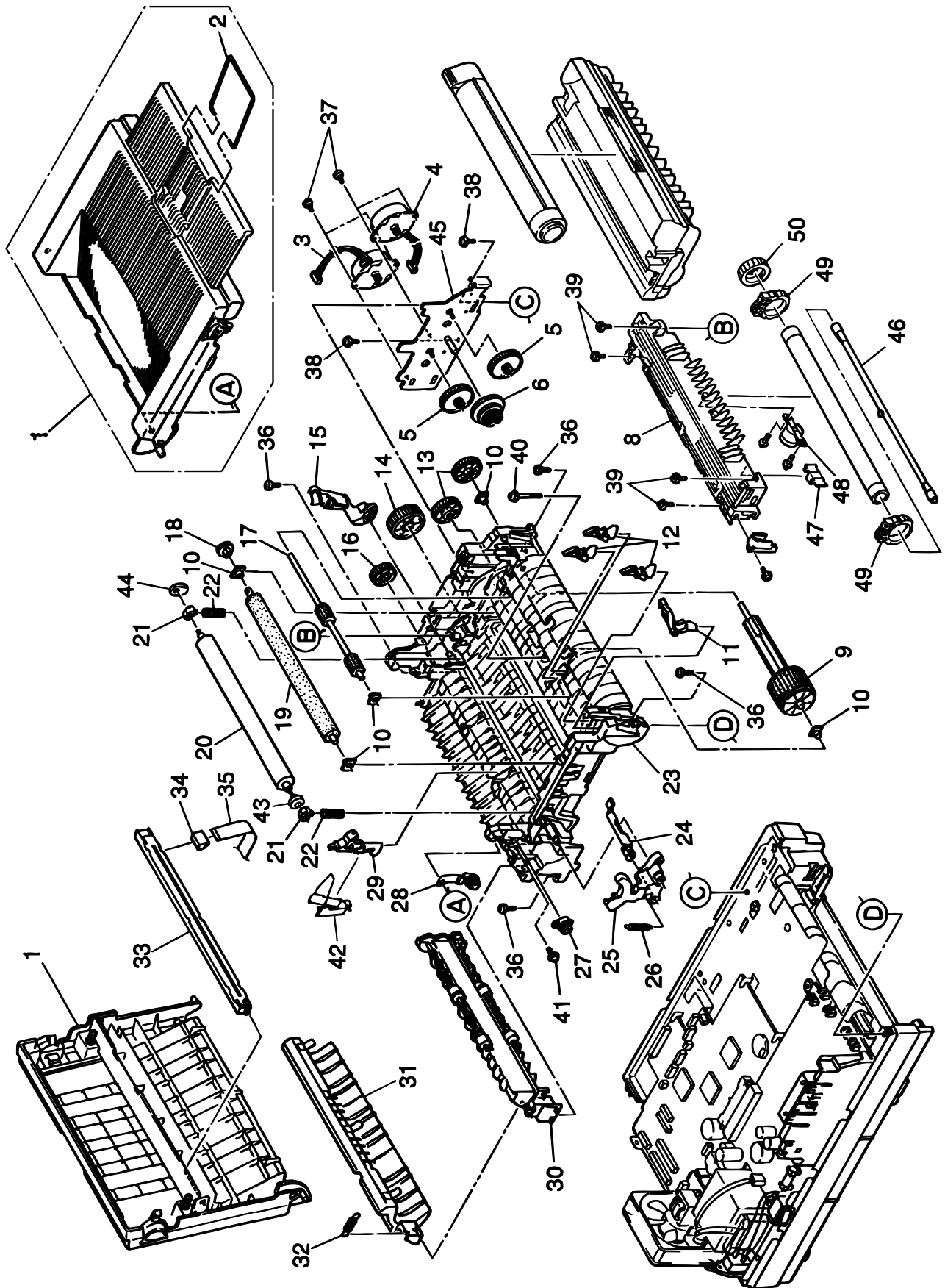
### Section 2 CONTROL PANEL ASSEMBLY

Rev.	No.	Oki parts Number	Description	Q'ty	Remarks
	1a	40105301	Unit-50V OPE Panel	1	ODA
	1b	40105302	Unit-50V OPE Panel	1	OEL Note.1
	1c	40105305	Unit-50V OPE Panel	1	OKI-INT
	1d	40105306	Unit-50V OPE Panel	1	TN
	1e	40079101	Unit-175V OPE Panel	1	ODA
	1f	40079102	Unit-175V OPE Panel	1	OEL
	1g	40079105	Unit-175V OPE Panel	1	OKI-INT
	1h	40079106	Unit-175V OPE Panel	1	TN
	2	4PB4120-1074P1	One-touch Cover Film-151/175	1	Note 2
	3	4PB4120-1073P101	One-touch Sheet-151/175	1	Note 2
	4a	40047110	Sheet-F-050V	1	ODA
	4b	40047101	Sheet-F-050V	1	OKI-INT Note 2
	4c	40047114	Sheet-F-050V	1	TN
	4d	40076810	Sheet-F-175V	1	ODA
	4e	40076801	Sheet-F-175V	1	OKI-INT
	4f	40076814	Sheet-F-175V	1	TN
	5a	4PB4014-4776P201	Ten Key Label	1	ODA
	5b	4PB4014-4776P211	Ten Key Label	1	OKI-INT OEL
	5c	4PB4014-4776P221	Ten Key Label	1	TN
	6a	40047001	Sheet-O-050V	1	OKI Note 2
	6b	40047003	Sheet-O-050V	1	TN Note 2
	7a	1PP4120-1111P1	One-touch Cover-151	1	
	7b	1PP4120-1072P1	One-touch Cover-175	1	
	8	40086801	Board-05W	1	
2	9a	40075001	Button-Start (S)	1	OKI, TN
	9b	40075002	Button-Start (S)	1	LANIER
2	10a	40075101	Button-Stop (S)	1	OKI, TN
	10b	40075102	Button-Stop (S)	1	LANIER

Note 1: Not includes items 2, 4, 5,6 for OEL version.

Note 2: Parts will be supported in OEL.

SECTION 3 PRINTER ASSEMBLY



### Section 3 PRINTER ASSEMBLY 1/2

Rev.	No.	Oki parts Number	Description	Q'ty	Remarks
	1	2PA4120-1214G1	Stacker Cover Assy.	1	
	2	4PB3517-1567P1	Guide Wire	1	
	3	4YB4120-1117P1	Pulse Motor (Main)	1	
	4	4YB4120-1118P1	Pulse Motor (Resist)	1	
	5	4PP4083-2593P1	Idle Gear (Z90/16)	2	
	6	3PP4083-6076P1	Reduce Speed Gear	1	
	8a	2YX4120-1128G1	Fusing Unit Assy. (120V)	1	ODA
	8b	2YX4120-1128G2	Fusing Unit Assy. (230V)	1	Except ODA
	9	3PA4122-1295G1	Hopping Roller Assy.	1	
	10	4PP4083-6022P2	Bearing	5	
	11	4PP4083-6086G1	Toner Sensor (Adhesive)	1	
	12	4PP4083-6083P1	Sensor Plate (Inlet)	3	
	13	4PB4083-6024P1	One-way Clutch Gear	2	
	14	4PP4083-6080P1	Idle Gear (Z36)	1	
	15	3PP4083-6054P1	Reset Lever (R)	1	
	16	4PP4083-6081P1	Idle Gear (Z22)	1	
	17	3PB4083-6030P1	Resistration Roller	1	
	18	4PP4083-6042P1	TR Gear	1	
2	19	3YB4083-7640P2	Transfer Roller	1	
	20	3PB4083-6064P2	Back-up Roller	1	
	21	4PP4083-6052P1	Bush	2	
	22	4PP4083-6065P1	Bias Spring	2	
	23	1PP4083-6035G001	Lower Base Sub Assy.	1	
	24	3PP4083-6058P1	Switch Arm	1	
	25	3PP4083-6053P1	Reset Lever (L)	1	
	26	4PP4083-6057P1	Reset Spring	1	
	27	4PB4083-6197P1	Dumper	1	
	28	4PP4083-6191G1	Dumper Arm	1	
	29	4PA4083-6025G1	Sensor Plate (Outlet)	1	
	30	2PA4120-1129G1	Exit Roller Assy.	1	



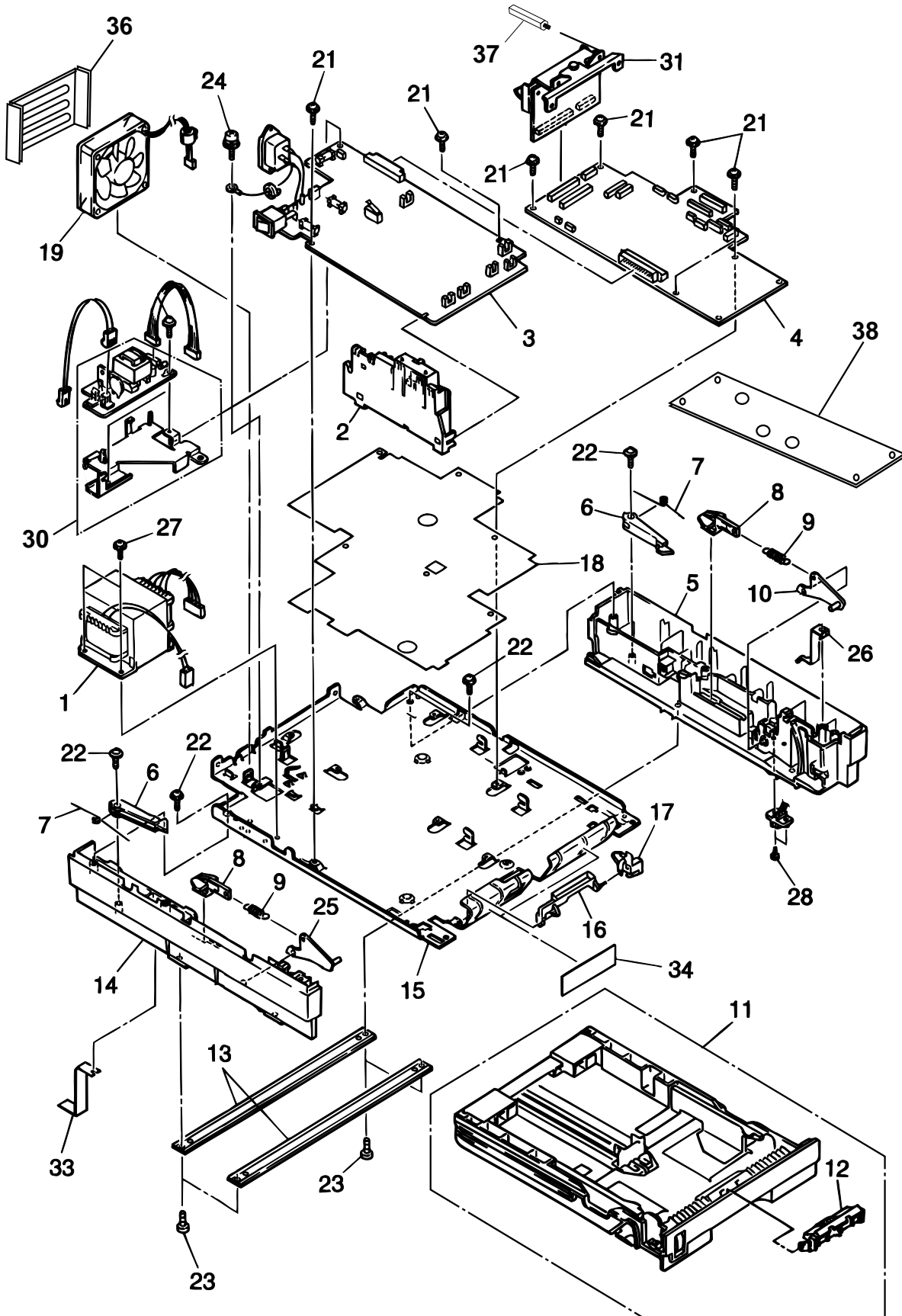
# Okifax

## 5200-5300-5500-5600

### Section 3 PRINTER ASSEMBLY 2/2

Rev.	No.	Oki parts Number	Description	Q'ty	Remarks
	31	2PA4120-1085G1	Release Guide Assy.	1	
	32	4PP4120-1087P1	Release Spring	1	
	33	4YA4116-1228G1	LED Head	1	
	34	224A1286P0140	PX-14 PC Connector	1	
	35	4YX4120-1124G1	LED Cable Assy.	1	
	36		Screw		
	37		Screw		
	38		Screw		
	39		Screw		
	40		Screw		
	41		Screw		
	42	4PA4120-1170G1	Sensor Wire Assy.	1	
	43	4PP4120-1209P1	Washer B	1	
	44	4PP4120-1210P1	Washer C	1	
	45	3PP4083-6071G001	Motor Plate Assembly	1	
	46a	3PB4120-1105P001	Halogen Lamp (Q)-F120	1	
	46b	3PB4120-1105P002	Halogen Lamp (Q)-F230	1	
	47	4PB4083-6106P001	Heat Sensor	1	
	48	4PB4083-6293P001	Thermostat A	1	
	49	4PB4083-6128P001	Bearing B	2	
	50	4PP4083-6113P001	Gear A	1	

### SECTION 4 BASE ASSEMBLY



**Section 4 BASE ASSEMBLY 1/2**

Rev.	No.	Oki parts Number	Description	Q'ty	Remarks
	1a	4YB4049-7082P1	Power Transformer	1	(120V)
	1b	4YB4049-7083P1	Power Transformer	1	(230V)
	2	3PA4083-6090G1	Contact Assy.	1	
	3a	40035901	PWR Unit-ACDC DROP	1	(120V)
	3b	40035902	PWR Unit-ACDC DROP	1	(230V)
	4a	40050803	Board-M17-3	1	ODA
	4b	40050804	Board-M17-4	1	Except ODA
	4c	40488501	Board-17E	1	For 5300ENC
	4d	40476101	Board-E17	1	For 5600VE
	4e	40476102	Board-E17	1	For 5500VE
	4f	40476103	Board-E17	1	For 5300VE
	4g	40476104	Board-E17	1	For 5200VE
	5	2YX4076-7012G001	Cassette Guide (R) Assy.	1	
	6	3PP4083-7653P1	Cassette Lock Lever	2	
	7	4PP4083-7655P1	Cassette Lock Spring	2	
	8	4PP4122-1170P1	Link Pull Block	2	
	9	4PP4083-7666P1	Sheet Spring	2	
	10	4PP4083-7658G1	Sheet Link (R)	1	
	11	1PA4120-1162G1	Paper Cassette Assy.	1	
	12	3PP4083-5663G1	Separation Frame Assy.	1	
	13	3PP4083-7660P1	Beam	2	
	14	2PA4076-7011G001	Cassette Guide (L) Assy.	1	
	15	1PP4120-1078P001	Base Plate	1	
	16	3PP4083-6154P1	Cassette Sensor Plate	1	
	17	4PP4083-7667P1	Sensor Plate (Supply Paper)	1	
	18	2PB4120-1103P1	Insulator	1	
	19	4YB4120-1119P1	DC Fan Motor	1	
	20				
	21		Screw		
	22		Screw		
	23		Screw		
	24		Screw		
	25	4PP4083-7657G1	Sheet Link (L)	1	
	26	4PP4083-7662P1	FG Plate C	1	
	27		Screw		
	28		Screw		
	29				
2	30	40521301	Plate Assy.-SPSU	1	(230V)

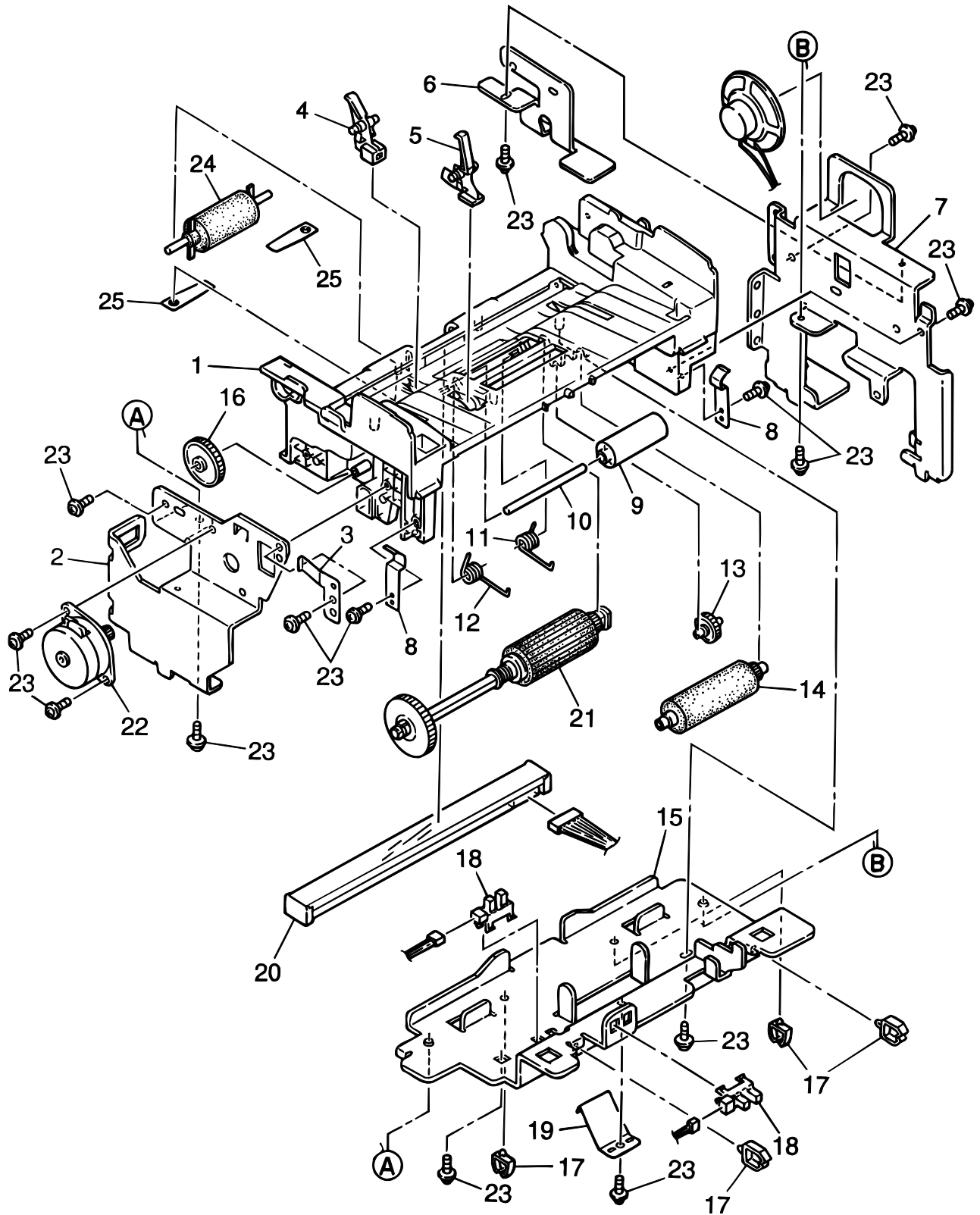
**Section 4 BASE ASSEMBLY 2/2**

Rev.	No.	Oki parts Number	Description	Q'ty	Remarks
2	31a	40123401	Plate Assy.-PC I/F	1	Option
2	31b	40544901	Plate Assy.-ENC	1	For 5300ENC
	32				
	33	4PP4083-7665P001	FG Plate D	1	
	34	4YC4061-5115P001	Polyethylene Tape	2	
	35				
2	36	40275501	Plate-Guard	1	
2	37	PB4120-1130P001	Screw-Hexagon	2	For 5300ENC
2	38	40545401	Sheet-Shield	1	For 5300ENC

Okifax

5200-5300-5500-5600

SECTION 5 SCAN UNIT

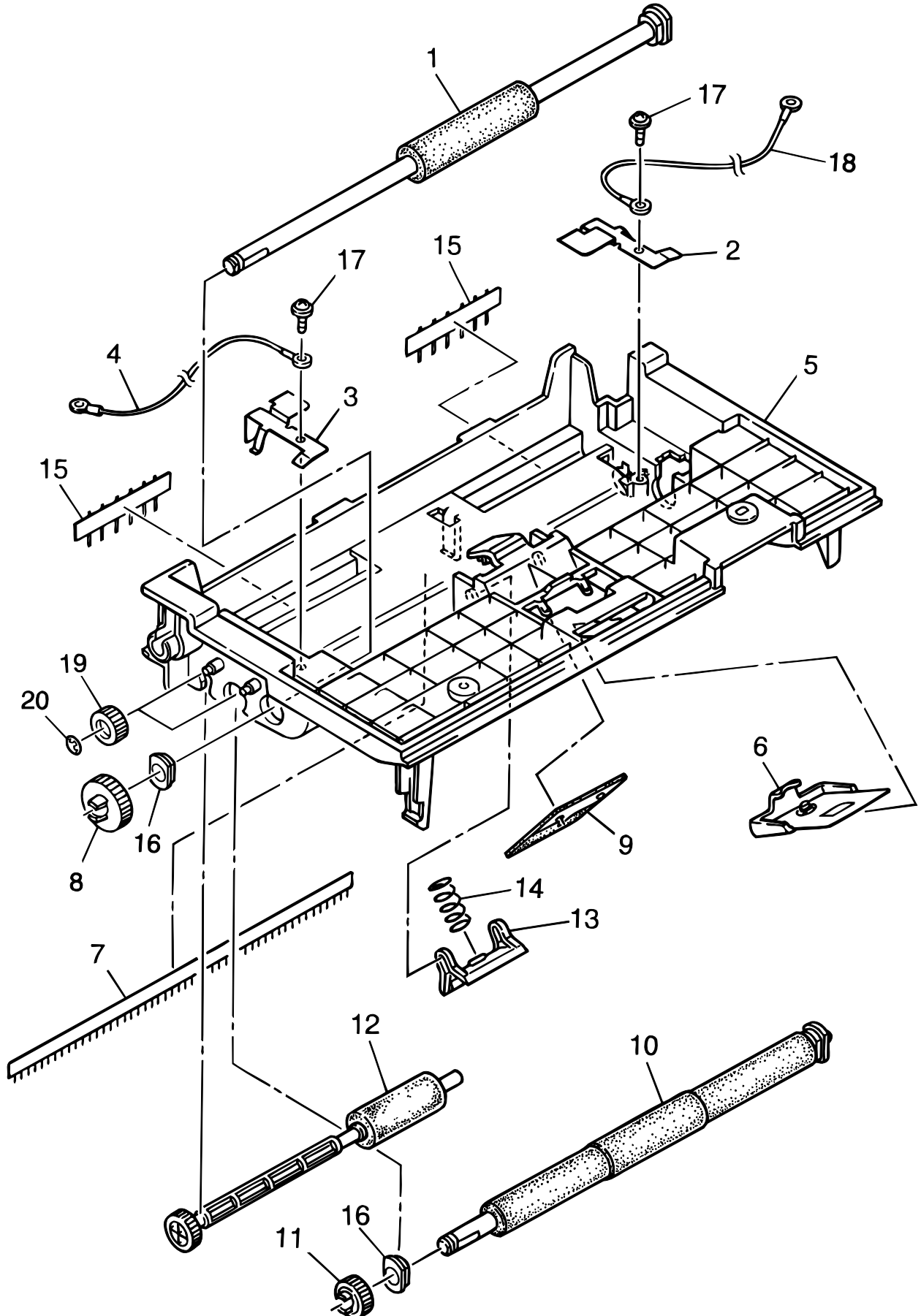


### Section 5 SCAN UNIT

Rev.	No.	Oki parts Number	Description	Q'ty	Remarks
	1	1PP4120-1015P001	Scanner Frame	1	
	2	2PP4120-1034P1	Scanner Base (L)	1	
	3	4PP4120-1023P1	Earth Plate ADF	1	
	4	3PP4120-1017P1	PC2 Lever	1	
	5	3PP4120-1016P1	PC1 Lever	1	
	6	3PP4120-1038P1	Pocket Plate	1	
	7	2PP4120-1037P1	Scanner Base (R)	1	
	8	4PP4120-1032P1	Latch Spring	2	
	9	4PP3529-5045P1	Pinch Roller	1	
	10	4PP4120-1020P1	Pinch Roller Shaft	1	
	11	4PP4120-1022P1	Pinch Spring R	1	
	12	4PP4120-1021P1	Pinch Spring L	1	
	13	4PP3529-5033P1	Gear (Z20)	1	
	14	4PA3529-5082G1	Sub-roller Assy.	1	
	15	2PP4120-1029P1	Scanner Bottom Plate	1	
	16	4PP3529-5039P1	Gear (Z81/15)	1	
	17	4PB3527-5803P1	Mini Clamp	4	
	18	4YB4120-1137P1	Photo Sensor	2	
	19	4PP4120-1030P1	Scanner Spring	1	
	20a	4YB4120-1121P1	Contact Image Sensor-A4	1	200DPI
	20b	40141401	Contact Image Sensor-A4	1	300DPI
	21	3PA4120-1018G1	ADF Roller Assy.	1	
	22	40047601	Motor-S (FX-VP)	1	
	23		Screw		
	24	4PB4120-1024P001	Eject Pinch Roller	1	
	25	4PP4120-1025P001	Eject Pinch Spring	2	

# Okifax 5200-5300-5500-5600

## SECTION 6 PAPER GUIDE U ASSEMBLY



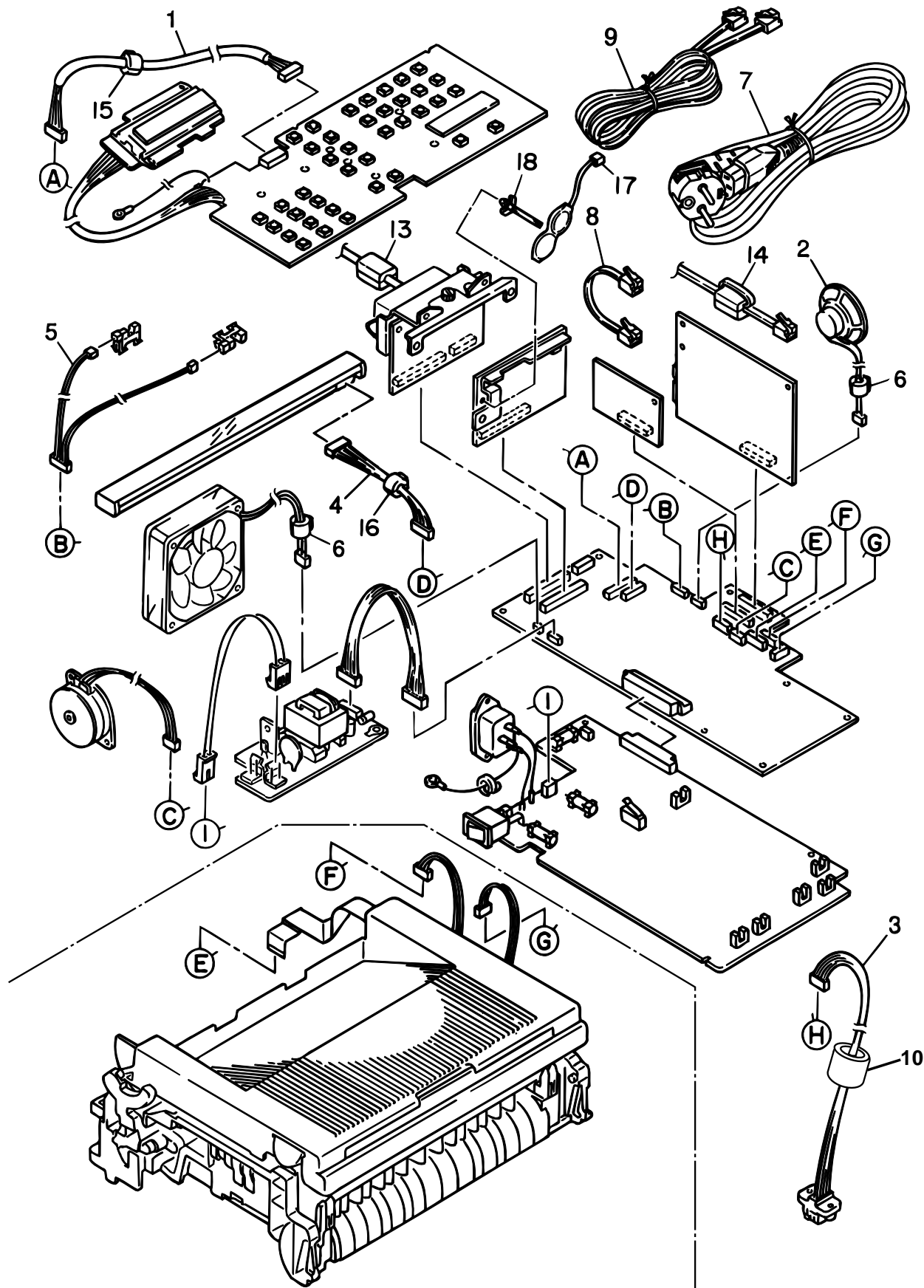
**Section 6 PAPER GUIDE U ASSEMBLY**

Rev.	No.	Oki parts Number	Description	Q'ty	Remarks
	1	3PA4120-1045G1	Feed Roller (1) Assy.	1	
	2	4PP4120-1226P001	Earth Plate (SR)	1	
	3	4PP4120-1227P001	Earth Plate (SL)	1	
	4	4YS4011-1714P2	Earth Code	1	
	5	1PP4120-1040P001	Paper Guide (U)	1	
	6	4PA4120-1041G1	Pinch Plate Assy.	1	
	7	4PB4120-1051P1	Electrical Discharge Brush	1	
	8	4PP3529-5035P1	Gear (Z28)	1	
	9	4PA3529-5087G1	Separation Rubber Assy.	1	
	10	3PA4120-1049G1	Sensor Roller Assy.	1	
	11	4PP3529-5034P1	Gear (Z22)	1	
	12	3PA4120-1052G1	Exit Roller Assy.	1	
	13	4PP3527-5153P1	Back-up Plate	1	
	14	4PP4120-1044P1	ADF Spring	1	
	15	4PB4120-1051P2	Electrical Discharge Brush	2	
	16	4PP3522-3568P1	Bearing	2	
	17		Screw		
	18	4YS4011-1714P3	Earth Code	1	
	19	4PP3527-5034P001	Gear (Z16)	2	
	20	4PB4013-3501P003	CS-Ring (CS4-SUS)	2	



# Okifax 5200-5300-5500-5600

## SECTION 7 CABLES

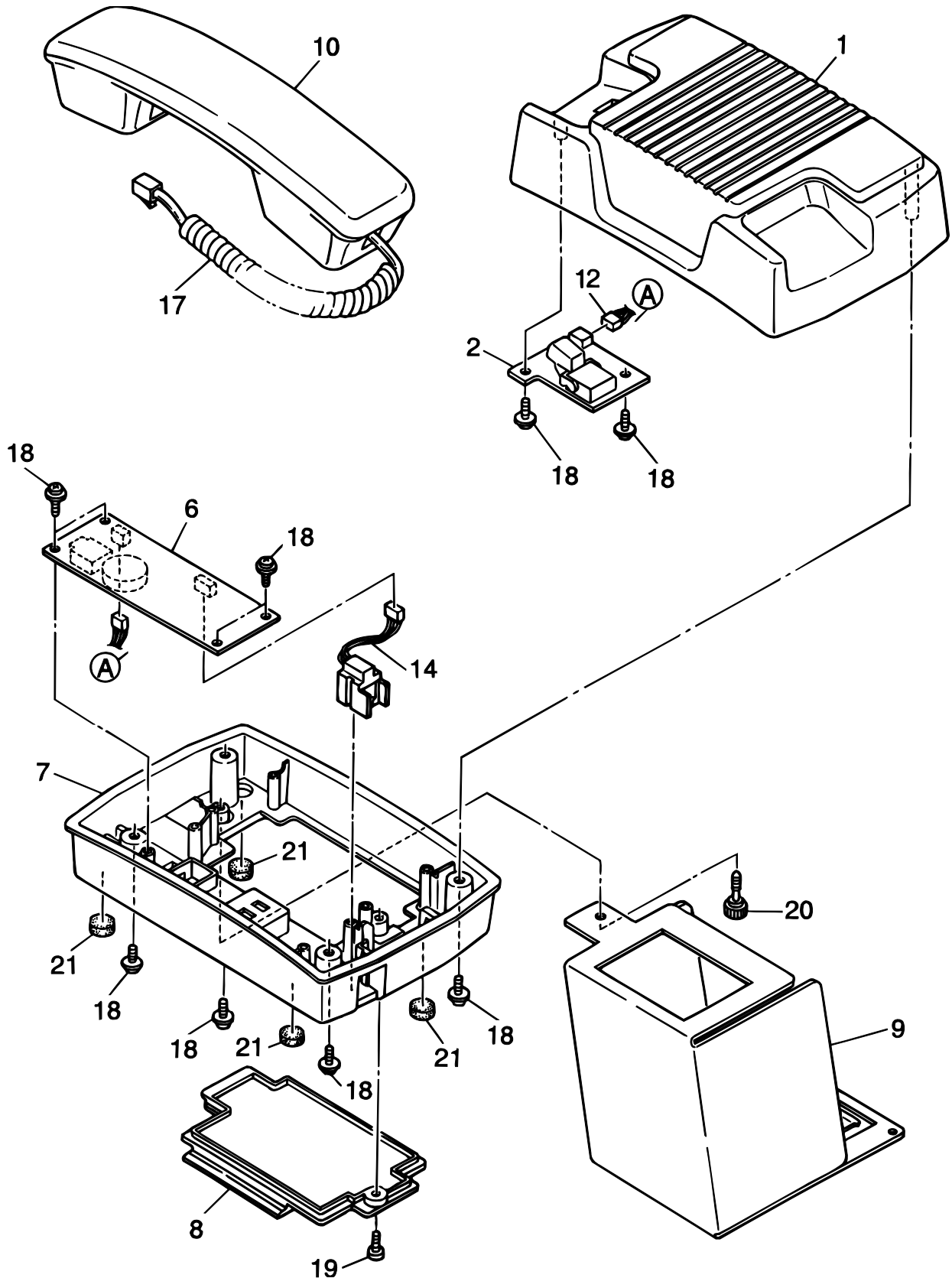


**Section 7 CABLES**

Rev.	No.	Oki parts Number	Description	Q'ty	Remarks
	1	40040002	CONN Cord-Wire (OPE)	1	
	2	4YB4120-1026P1	Speaker	1	
	3	3YS4111-3527P2	Connector Code (2nd Tray)	1	
	4	4YS4111-3441P1	P.W.A. Connector Code	1	(CIS)
	5	4YS4111-3442P1	P.W.A. Connector Code	1	(PC1/2)
	6	1051070C0001	TFC-16813 Core	2	
	7a	3YS4011-1329P2	AC CORD A	1	OKI-INT
	7b	4YS3512-1485P1	AC CORD	1	ODA Note 2
	7c	236A6058P0001	AC CORD	1	OEL Note 1
	8	4YS4111-5581P001	Cord (TEL1-TEL2)	1	
	9a	236A3161P2	TEL/LINE Cable	1	ODA
	9b	4YB3522-1297G1	TEL/LINE Cord	1	TN, GER Note 1
2	10	105A1051C3002	Ferrite Core G	1	
	11	40048201	Connection Cord-Wire (PSU)	1	
	12	40040101	Connection Cord-Wire (SPSU)	1	
	13	105A1062C0002	0443-167251 Core	1	
	14	105A1068C1004	5FC-8 Core	1	
	15	105A1070C0004	TFC-23-11-14 Core	1	
	16	105A1070C0003	Ferrite Core E	1	
	17	4YB4120-1094P0001	Secondary Battery	1	
	18	4LP-1466	Snap Band		

Note 1: Parts will be supplied by OUK.  
 Note 2: Parts will be supplied by ODA.

**SECTION 8 OPTION TELEPHONE (US)**



# Okifax 5200-5300-5500-5600

## Section 8 OPTION TELEPHONE (US)

OKIFAX 1050/2350/2450/5000 series/OKIOFFICE44

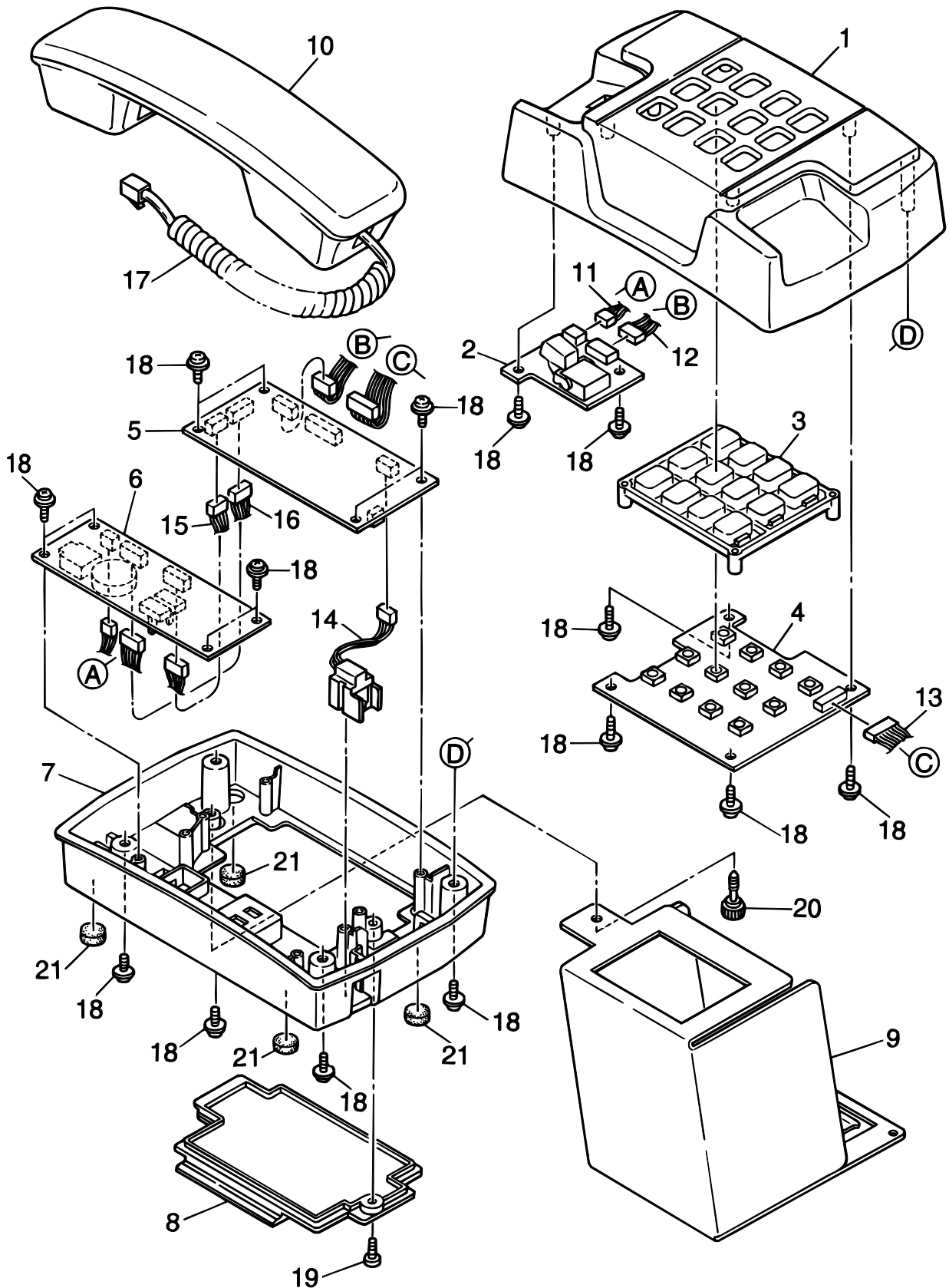
Rev.	No.	Oki parts Number	Description	Q'ty	Remarks
	1	1PP4120-1095P011	Cradle	1	
	2	4YA4129-1006G001	Board-Hook	1	
	6	4YA4129-1005G001	Board-TELU	1	
	7	1PP4120-1096P001	Base-Cradle	1	
	8	3PP4120-1097P001	Cover-Terminal	1	
	9	3PA4120-1140G001	Attachment-Assembly	1	Except OKIOFFICE44
	10	4YB3512-2029G004	Handset	1	
	12	4YS4111-5552P001	Connection-Cord	1	
	14	4YS4111-5551P001	Moduler-Jack-Cord	1	
	17	4YS3522-1252G002	Cord-Handset	1	
	18		Tapping-Screw		
	19		Screw		
	20	4PB4120-1136P001	Knob-Screw	1	Except OKIOFFICE44
	21	4PB4016-1960P001	Rubber-Hoot	4	

**Section 8 OPTION TELEPHONE (AG)**

LANIER 4110/4160FAX

Rev.	No.	Oki parts Number	Description	Q'ty	Remarks
	1	1PP4120-1095P012	Cradle	1	
	2	4YA4129-1006G001	Board-Hook	1	
	6	4YA4129-1005G001	Board-TELU	1	
	7	1PP4120-1096P002	Base-Cradle	1	
	8	3PP4120-1097P002	Cover-Terminal	1	
	9	3PA4120-1140G001	Attachment-Assembly	1	
	10	4YB3512-2029G001	Handset	1	
	12	4YS4111-5552P001	Connection-Cord	1	
	14	4YS4111-5551P001	Moduler-Jack-Cord	1	
	17	4YS3522-1252G002	Cord-Handset	1	
	18		Tapping-Screw		
	19		Screw		
	20	4PB4120-1136P001	Knob-Screw	1	
	21	4PB4016-1960P001	Rubber-Hoot	4	

### SECTION 8 OPTION TELEPHONE (UK, ITA, NOR, DEN, BEL)



**Section 8 OPTION TELEPHONE (UK, ITA, NOR, DEN, BEL)**

OKIFAX 1050/2350/2450/4100/5000 series

Rev.	No.	Oki parts Number	Description	Q'ty	Remarks
	1	1PP4120-1095P011	Cradle	1	
	2	4YA4129-1006G001	Board-Hook	1	
	3	2PP4120-1068P001	Ten-Key	1	
	4	4YA4129-1003G001	Board-Tenkey	1	
	5	4YU3528-1022G014	Board-TEL W1	1	
	6	4YA4129-1004G001	Board-NTIF	1	
	7	1PP4120-1096P001	Base-Cradle	1	
	8	3PP4120-1097P001	Cover-Terminal	1	
	9	3PA4120-1140G001	Attachment-Assembly	1	Except OKIFAX4100
	10	4YB3512-2029G004	Handset	1	
	11	4YS4111-5553P001	Connection-Cord	1	
	12	4YS4111-5552P001	Connection-Cord	1	
	13	4YS4111-5556P001	Connection-Cord	1	
	14	4YS4111-5551P001	Moduler-Jack-Cord	1	
	15	4YS4111-5554P001	Connection-Cord	1	
	16	4YS4111-5555P001	Connection-Cord	1	
	17	4YS3522-1252G002	Cord-Handset	1	
	18		Tapping-Screw		
	19		Screw		
	20	4PB4120-1136P001	Knob-Screw	1	Except OKIFAX4100
	21	4PB4016-1960P001	Rubber-Hoot	4	

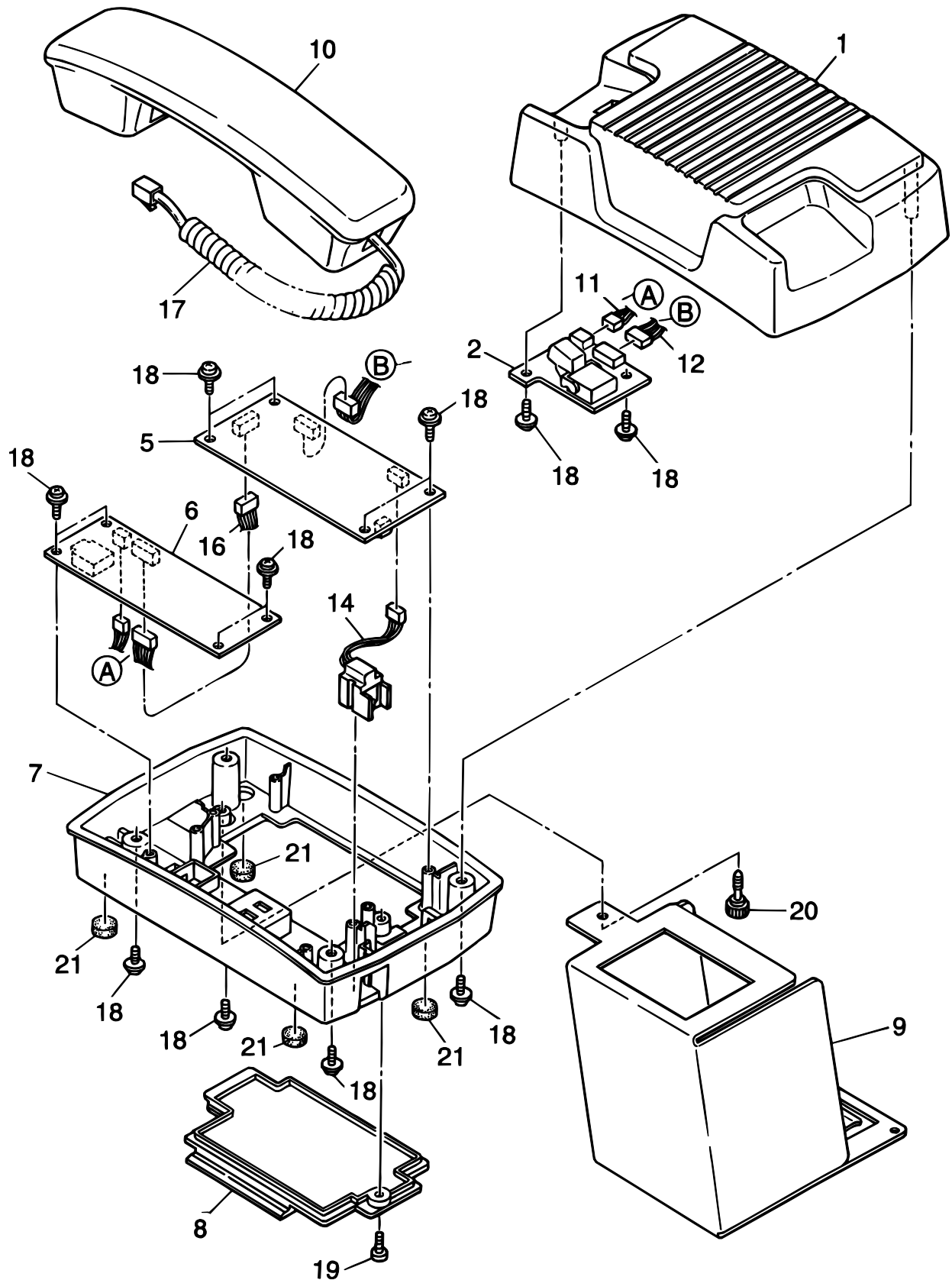
**Section 8 OPTION TELEPHONE (ABX)**

LANIER 4110/4160FAX

Rev.	No.	Oki parts Number	Description	Q'ty	Remarks
	1	1PP4120-1095P002	Cradle	1	
	2	4YA4129-1006G001	Board-Hook	1	
	3	2PP4120-1068P002	Ten-Key	1	
	4	4YA4129-1003G001	Board-Tenkey	1	
	5	4YU3528-1022G014	Board-TEL W1	1	
	6	4YA4129-1004G001	Board-NTIF	1	
	7	1PP4120-1096P002	Base-Cradle	1	
	8	3PP4120-1097P002	Cover-Terminal	1	
	9	3PA4120-1140G001	Attachment-Assembly	1	
	10	4YB3512-2029G001	Handset	1	
	11	4YS4111-5553P001	Connection-Cord	1	
	12	4YS4111-5552P001	Connection-Cord	1	
	13	4YS4111-5556P001	Connection-Cord	1	
	14	4YS4111-5551P001	Moduler-Jack-Cord	1	
	15	4YS4111-5554P001	Connection-Cord	1	
	16	4YS4111-5555P001	Connection-Cord	1	
	17	4YS3522-1252G002	Cord-Handset	1	
	18		Tapping-Screw		
	19		Screw		
	20	4PB4120-1136P001	Knob-Screw	1	
	21	4PB4016-1960P001	Rubber-Hoot	4	



**SECTION 8 OPTION TELEPHONE (HOL, GER, FRA, SWITZ, AUT, INT'L)**



### Section 8 OPTION TELEPHONE (HOL, GER, FRA, SWITZ, AUT, INT'L)

OKIFAX 1050/2350/2450/4100/5000 series

Rev.	No.	Oki parts Number	Description	Q'ty	Remarks
	1	1PP4120-1095P011	Cradle	1	
	2	4YA4129-1006G001	Board-Hook	1	
	5a	4YU3528-1037G011	Board-TEL 11	1	SWITZ, AUS
	5b	4YU3528-1037G003	Board-TEL 3	1	HOL, OEL-INT'L
	5c	4YU3528-1038G013	Board-TEL 13	1	GER
	5d	4YU3528-1033G018	Board-TEL W2F	1	FRA
	5e	4YU3528-1037G007	Board-TEL 7	1	OKI-INT'L
	6a	4YA4129-1004G002	Board-NTIF	1	SWITZ, AUS
	6b	4YA4129-1004G003	Board-NTIF	1	HOL, OEL-INT'L, GER, OKI-INT'L
	6c	4YA4129-1004G004	Board-NTIF	1	FRA
	7	1PP4120-1096P001	Base-Cradle	1	
	8	3PP4120-1097P001	Cover-Terminal	1	
	9	3PA4120-1140G001	Attachment-Assembly	1	Except OKIFAX4100
	10	4YB3512-2029G004	Handset	1	
	11	4YS4111-5553P001	Connection-Cord	1	
	12	4YS4111-5552P001	Connection-Cord	1	
	14	4YS4111-5551P001	Moduler-Jack-Cord	1	
	16	4YS4111-5555P001	Connection-Cord	1	
	17	4YS3522-1252G002	Cord-Handset	1	
	18		Tapping-Screw	1	
	19		Screw		
	20	4PB4120-1136P001	Knob-Screw	1	Except OKIFAX4100
	21	4PB4016-1960P001	Rubber-Hoot	4	

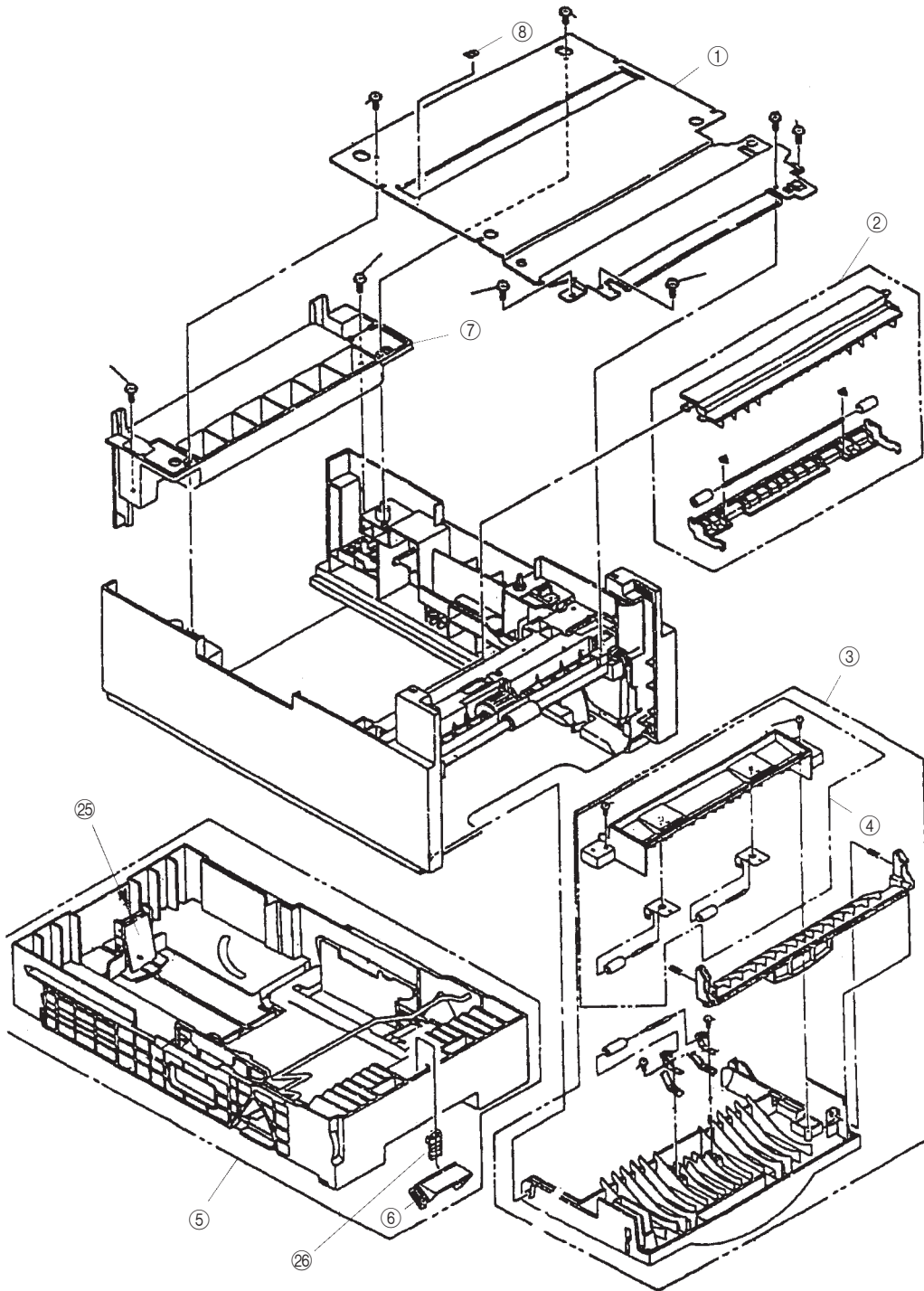
**Section 8 OPTION TELEPHONE (ABB, AB, FTZ, FR)**

LANIER 4110/4160FAX

Rev.	No.	Oki parts Number	Description	Q'ty	Remarks
	1	1PP4120-1095P012	Cradle	1	
	2	4YA4129-1006G001	Board-Hook	1	
	5a	4YU3528-1037G011	Board-TEL 11	1	ABB
	5b	4YU3528-1037G009	Board-TEL 9	1	AB
	5c	4YU3528-1038G013	Board-TEL 13	1	FTZ
	5d	4YU3528-1033G018	Board-TEL W2F	1	FR
	6a	4YA4129-1004G002	Board-NTIF	1	ABB
	6b	4YA4129-1004G003	Board-NTIF	1	AB, FTZ
	6c	4YA4129-1004G004	Board-NTIF	1	FR
	7	1PP4120-1096P002	Base-Cradle	1	
	8	3PP4120-1097P002	Cover-Terminal	1	
	9	3PA4120-1140G001	Attachment-Assembly	1	
	10	4YB3512-2029G001	Handset	1	
	11	4YS4111-5553P001	Connection-Cord	1	
	12	4YS4111-5552P001	Connection-Cord	1	
	14	4YS4111-5551P001	Moduler-Jack-Cord	1	
	16	4YS4111-5555P001	Connection-Cord	1	
	17	4YS3522-1252G002	Cord-Handset	1	
	18		Tapping-Screw	1	
	19		Screw		
	20	4PB4120-1136P001	Knob-Screw	1	
	21	4PB4016-1960P001	Rubber-Hoot	4	

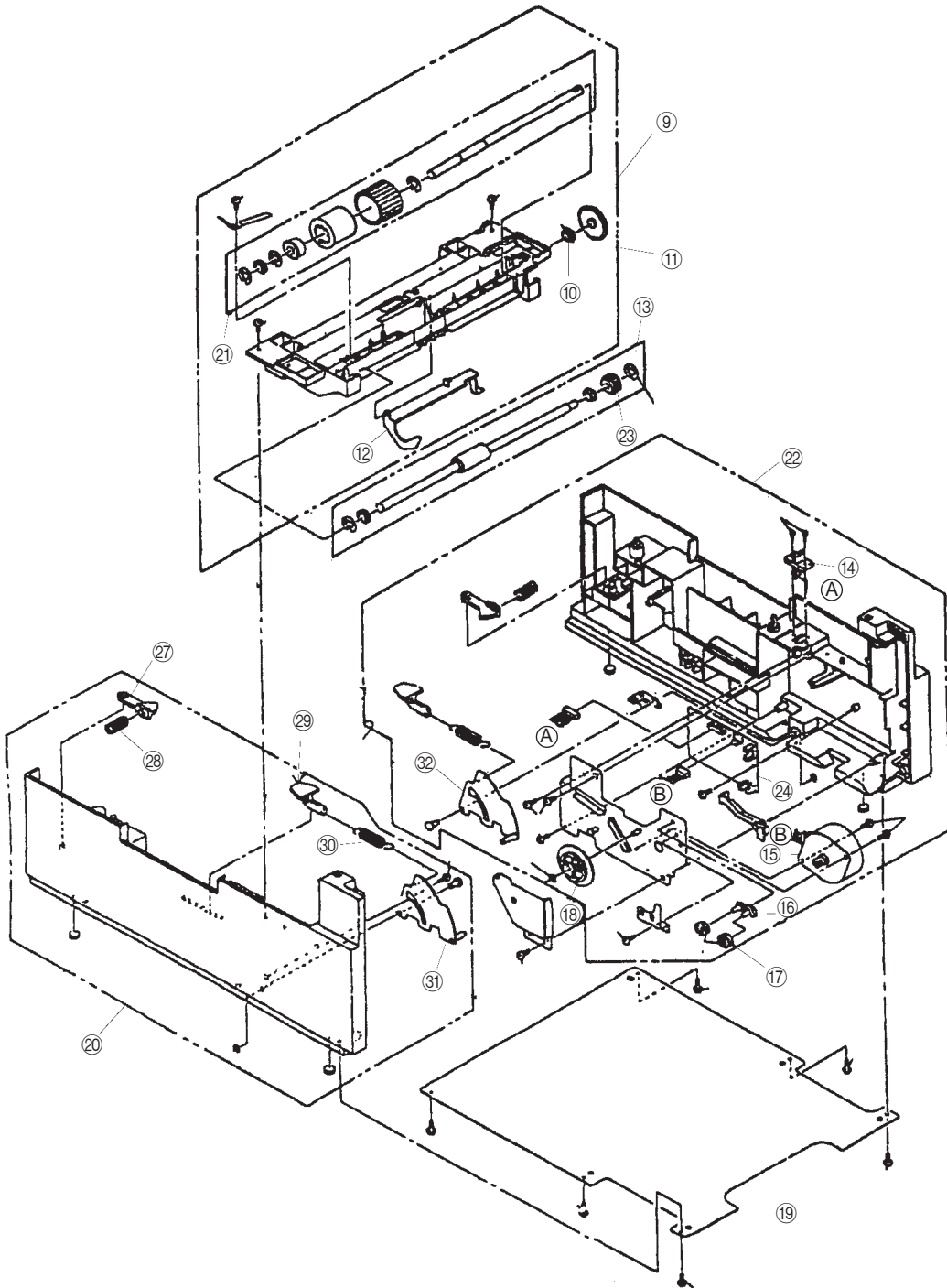
**6. PARTS LIST**

SECTION1 CABINET & CASSETTE ASSEMBLY



**Figure 6-1**

SECTION2 MECHANICAL ASSEMBLY



**Figure 6-2**

# Okifax

## 5200-5300-5500-5600

Table 6-1 Paper Feeder

No.	OKI Oarts Number	Description	Q'ty/U	Remarks
1	1PP4122-1401P001	Plate, Upper	1	
2	3PA4122-1370G001	Sheet Guide Assembly	1	
3	1PA4122-1369G001	Front Cover Assembly	1	
4	3PA4122-1371G001	Inner Guide Assembly	1	
5	1PA4122-1362G004	Cassette Assembly (2nd Tray)	1	
6	4PP4120-1009G001	Separation (F) Frame Assembly	1	
7	1PP4122-1323P001	Cover, Rear	1	
8	4PB4122-1441P001	Stick Finger	1	
9	1PA4122-1366G001	Hopping Frame Assembly	1	
10	4PP3522-3568P001	Bushing, Metal (ADF)	1	
11	4PP4122-1207P001	Gear (Z70)	1	
12	3PP4122-1331P001	Lever, Sensor (P)	1	
13	3PA4122-1393G001	Feed Roller Assembly	1	
14	3YS4111-3528P001	Cable & Connector	1	
15	3PB4122-1399P001	Stepping Motor	1	
16	4PP4122-1384G001	Bracket	1	
17	4PP4122-1383P001	Gear (Z24)	2	
18	4PP4122-1226P001	Gear (Z87/Z60)	1	
19	2PP4122-1389P001	Plate, Bottom	1	
20	1PA4122-1365G001	Second Cassette Guide (L) Assembly	1	
21	3PA4122-1367G001	Hopping Roller Assembly	1	
22	1YX4122-1364G002	Second Cassette Guide (R) Assembly	1	
23	4PB4122-1382P001	One-way Clutch Gear	1	
24	4YA4046-1651G002	TQSB-2 PCB	1	
25	3PA4122-1372G001	Tail Guide Assembly	1	
26	4PP4122-1238P002	Separation Spring	1	
27	4PP4122-1184P001	Cassette Lock Lever	1	
28	4PP4122-1347P001	Locks Spring	1	
29	4PP4122-1217P001	Pull Block	1	
30	4PP4122-1398P002	Sheet Spring	1	
31	4PP4122-1339G001	Sheet Link (L)	1	
32	4PP4122-1338G001	Sheet Link (R)	1	