



## Carriage Drive Parts

### Belt

1 C7770-60014 Carriage Belt - Drives the carriage assembly (42-inch)

### Bracket/Guide

2 C7769-60170 Left cutter guide bracket and left encoder holder kit

### Cable Kit

3 C7770-60274 Carriage assembly trailing cable kit - Includes installation instructions, trailing cables, mounting clips, and a ferrite - Cables have 30-pin (M) edge connectors - 2.0m (6.5ft) long - For 42-inch models

### Carriage

4 C7769-60272 Printhead carriage assembly - Includes carriage, bushings, pen latches, carriage position sensor, and line sensor

### Motor

C7769-60146 Carriage (scan-axis) motor assembly - Includes cable

### Strip

6 C7770-60013 Encoder strip (42-inch) - Connects from Left to Right Side of Printer

### Tensioner

C7769-60176 Belt tensioner kit - Keeps carriage belt tight - Includes pulley and pulley mount bracket

## Cutter Assembly Parts

### Bracket/Guide

8 C7769-60170 Left cutter guide bracket and left encoder holder kit

### Bushing

9 C7769-60169 Cutter bushing

### Cutter

10 C7769-60163 Cutter assembly

### Guide

11 C7770-60017 Cutter guide - Long Rail Installed Near the Pinch-Wheels

## Electronic Accessories

### Cable (Interface)

8120-8485 Universal Serial Bus (USB) interface cable - Type 'A' connector to type 'B' connector, 1.8m (6.0 ft) long

C2392A Universal serial bus (USB) interface cable - Type 'A' connector to type 'B' connector - 5.0m (16ft) long

### Interface (Product)

14 J3110A Ethernet 10Base-T (RJ-45) EIO network internal print server PC board

15 J3111A Ethernet 10Base-T/10Base2 and LocalTalk (RJ-45, BNC, LocalTalk) EIO network PCA

16 J3112A JetDirect 600N token ring LAN interface board - DB-9 and RJ-45 connectors  
NO LONGER SUPPLIED

17 J3113A JetDirect 600N internal print server (10Base-T and 100Base-TX) LAN interface board - Plugs into peripheral EIO slot

18 J4167A JetDirect 610N token ring LAN interface board - DB-9 and RJ-45 connectors

19 J4169A JetDirect 610N internal print server (10Base-T and 100Base-TX) LAN interface board - Plugs into peripheral EIO slot - Has a RJ-45 connector - Comes with software on CD-ROM and manual

20 J6057A JetDirect 615N internal print server (10Base-T and 100Base-TX) LAN interface board - Plugs into peripheral EIO slot - Has a RJ-45 connector - Comes with software on CD-ROM and manual

21 J6057AR JetDirect 615N internal print server (10Base-T and 100Base-TX) LAN interface board - Plugs into peripheral EIO slot - Has a RJ-45 connector - Comes with software on CD-ROM and manual

### Memory (Product)

22 C2387A 64MB SO-DIMM memory module

23 C2388A 128MB SO-DIMM memory module



## Electronic Accessories

### PC Board (Interface)

- 24 J3110-69001 JetDirect 600N EIO internal print server 10Base-T LAN interface board - Has one RJ-45 connector - (J3110A) - NOTE: EIO Interface Boards are NOT Interchangeable with MIO Boards  
J6057-69001 *New Part for J3110-69001*
- 25 J3111-69001 JetDirect 600N EIO internal print server 10Base-T, 10BASE-2, and LocalTalk LAN interface board - Has one RJ-45, BNC, and 8-pin DIN connector - (J3111A) - NOTE: EIO interface boards are NOT interchangeable with MIO boards REQUIRES RETURN OF DEFECTIVE PART  
J3111-61001 *New Part for J3111-69001*
- 26 J3112-69001 JetDirect 600N EIO internal print server token ring LAN interface board - Has one RJ-45 and DB-9 connector  
J4167-69001 *New Part for J3112-69001*
- 27 J3113-69001 JetDirect 600N EIO internal print server 10Base-T and 100Base-T LAN interface board - Has one RJ-45 connector
- 28 J4169-69001 JetDirect 610N internal print server 10Base-T and 100Base-T LAN interface board - Has one RJ-45 connector  
J6057-69001 *New Part for J4169-69001*

### Upgrade Kit

- 29 C7772A Formatter upgrade kit - Adds HP-GL/2 and RTL support and a slot for an additional memory module - Plugs into an EIO card slot

## Electronics/Power Supply

### Cable Kit

- C7770-60267 Ribbon cable kit - Includes installation instructions and ribbon cable with ferrite - Cable has 40 pin (F) connectors - 2.0m (6.5ft) long

### Control Panel

- C7769-60161 Control panel assembly - Includes ribbon cable and english overlay marked with 'Menu', 'Back', 'Enter', 'Cancel', and 'Form feed and cut'

### Fan

- C7769-60150 Vacuum fan assembly - Installed under the main printer chassis

### Memory (DIMM)

- 33 C7769-60244 64MB SO-DIMM memory module - Can be Installed ONLY into the Formatter Board
- 34 C7769-60245 128MB SO-DIMM memory module - Can be Installed ONLY into the Formatter Board

### Module

- 35 C7779-69144 Electronics module - Contains main logic board, connectors for plug-in cards, connector for parallel interface cable, connector for USB cable, and cooling fan  
REQUIRES RETURN OF DEFECTIVE PART  
C7779-60144 *New Part for C7779-69144*

### PC Board

- C7769-60173 Interconnect PC board - Installed in right-side of printer
- 37 C7769-69260 HP-GL/2 and RTL formatter PC board  
REQUIRES RETURN OF DEFECTIVE PART  
C7769-60260 *New Part for C7769-69260*

### PC Board (Interface)

- 38 J3113-69001 JetDirect 600N EIO internal print server 10Base-T and 100Base-T LAN interface board - Has one RJ-45 connector

### Power Cord

- 8120-0698 Power cord (Black) - 18 AWG, 2.3m (7.5ft) long - Has straight (F) receptacle (For 220V/240V in the USA and Canada)
- 8120-1351 Power cord (Mint Gray) - 17 AWG, 2.3m (7.5ft) long - Has straight (F) receptacle (For 240V in the UK, Hong Kong, Singapore, Malaysia, and Brunei)
- 8120-1369 Power cord (Mint Gray) - 17 AWG, 2.0m (6.6ft) long - Has straight (F) receptacle (For 240V in Australia, New Zealand, and China)
- 8120-1378 Power cord (Jade Gray) - 18 AWG, 2.3m (7.5ft) long - Has straight (F) receptacle (For 120V in USA, Canada, Latin America, Korea, Taiwan, Thailand, Spain, Brazil, and Vietnam)



## Electronics/Power Supply

### Power Cord

8120-1689	Power cord (Mint Gray) - 17 AWG, 2.0m (6.6ft) long - Has straight (F) receptacle (For 220V in Europe, Bangladesh, Indonesia, Pakistan, Burma, Sri Lanka, and Vietnam)
8120-2104	Power cord (Mint Gray) - 2.0m (6.6ft) long - Has straight (F) receptacle (For 220V in Switzerland)
8120-2956	Power cord (Mint Gray) - 2.0m (6.6ft) long - Has straight (F) receptacle (For 220V in Denmark)
8120-4211	Power cord (Mint Gray) - 17 AWG, 2.0m (6.6ft) long - Has straight (F) receptacle (For 240V in South Africa and India)

### Power Supply

C7769-60145	Power supply assembly - Includes power switch
-------------	---

### Sensor

48 C7769-60168	Media sensor - Installed in the front of the rear platen
49 C7769-60172	Drive roller encoder sensor - Installed on left end of paper drive roller
C7769-60194	Pincharm sensor - Installed in right front of print chassis

### Service Station

C7769-60149	Service station - Includes wipers, pen caps, and the right hand spittoon - Installed in Right Side of Printer
-------------	---

## Optional Interfaces

### Power Cord

8120-1351	Power cord (Mint Gray) - 17 AWG, 2.3m (7.5ft) long - Has straight (F) receptacle (For 240V in the UK, Hong Kong, Singapore, Malaysia, and Brunei)
8120-1369	Power cord (Mint Gray) - 17 AWG, 2.0m (6.6ft) long - Has straight (F) receptacle (For 240V in Australia, New Zealand, and China)
8120-1378	Power cord (Jade Gray) - 18 AWG, 2.3m (7.5ft) long - Has straight (F) receptacle (For 120V in USA, Canada, Latin America, Korea, Taiwan, Thailand, Spain, Brazil, and Vietnam)
8120-1689	Power cord (Mint Gray) - 17 AWG, 2.0m (6.6ft) long - Has straight (F) receptacle (For 220V in Europe, Bangladesh, Indonesia, Pakistan, Burma, Sri Lanka, and Vietnam)
8120-2104	Power cord (Mint Gray) - 2.0m (6.6ft) long - Has straight (F) receptacle (For 220V in Switzerland)
8120-2956	Power cord (Mint Gray) - 2.0m (6.6ft) long - Has straight (F) receptacle (For 220V in Denmark)

## Other Accessories

### CD-ROM (Support)

C7769-90066	DesignJet support CD ROM - Version A.04.01 - Has product information, user's manuals, service manuals, diagnostic software, test drawings, newsletters, and service notes
C7769-90221	DesignJet 500/800 series interactive support CD-ROM

### Cartridge

C4844-60053	No. 10 High Capacity Black Ink Cartridge (Holds 69ml of Ink)
C4844A	No. 10 high capacity Black ink cartridge (holds 69ml of ink) - Prints approximately 1400 pages at 5% printing density (USA)
C4844AA	No.10 high capacity Black ink cartridge (holds 69ml of ink) - Prints approximately 1400 pages at 5% printing density (for Asia/Pacific)
C4844AE	No.10 high capacity Black ink cartridge (holds 69ml of ink) - Prints approximately 1400 pages at 5% printing density (for Europe)
C4844AL	No.10 high capacity Black ink cartridge (holds 69ml of ink) - Prints approximately 1400 pages at 5% printing density (for Latin America)
C4911-61002	No.82 standard capacity cyan ink cartridge (69ml)
C4911A	No.82 standard capacity cyan ink cartridge (69ml ink)
C4912-61003	No.82 standard capacity magenta ink cartridge (69ml)
C4912A	No.82 standard capacity magenta ink cartridge (69ml ink)
C4913-61003	No.82 standard capacity yellow ink cartridge (69ml)
C4913A	No.82 standard capacity yellow ink cartridge (69ml)



### Other Accessories

#### Lubricant

6040-0854 Synthetic Oil (1/2oz Plastic Bottle - for lubricating the front and rear slider rods)

#### Printhead

C4810-60066 No. 11 Black Ink Printhead  
C4810A No. 11 Black ink printhead  
C4810-60067 No.11 cyan ink printhead  
C4811A No. 11 Cyan ink printhead  
C4812-60005 No.11 magenta ink printhead  
C4812A No. 11 Magenta ink printhead  
C4813-60004 No.11 yellow ink printhead  
C4813A No. 11 Yellow ink printhead

#### Return Kit

5183-5269 Return kit with box and instructions - For returning defective TIJ 3.0 printheads covered under the CREW program

### Other External Parts

#### Cover

C7769-60158 Left end cover and EIO cover (Gray)  
C7769-60159 Right end cover (Gray)  
C7770-60154 Top cover assembly (Gray)

#### Deflector Kit

C7769-60283 Media deflector kit - Kit includes 3 deflectors - Installed in front of pinch-wheels - Kit Includes 3 Deflectors

#### Overlay

C7769-60111 Front panel overlay (English)  
C7769-60112 Front panel overlay (Korean)  
C7769-60113 Front panel overlay (Taiwanese)  
C7769-60114 Front panel overlay (German)  
C7769-60115 Front panel overlay (French)  
C7769-60116 Front panel overlay (Spanish)  
C7769-60117 Front panel overlay (Italian)  
C7769-60118 Front panel overlay (Japanese)  
C7769-60119 Front panel overlay (Portuguese)  
C7769-60120 Front panel overlay (Chinese)

#### Platen

95 C7769-60174 Front Platen Kit - Includes platens for both the 24 inch and the 42 inch models  
96 C7770-60155 Back Platen Assembly - Curved cover/guide that is installed below the paper drive roller (42-inch)

#### Trim Kit

C7769-60160 Trim kit - Installed between the main printer chassis and the left or right end covers (4 items in kit)

### Other Internal Parts

#### Bracket

C7769-60156 Service Station Bracket - Installed on right-side of service station

#### Cover

99 C7769-60171 Cover kit for drive roller encoder sensor

#### Ink Supply Station

C7769-60148 Ink Supply Station (ISS) - Includes ink pump motor, pump sensor, and out-of-ink sensors



## Other Internal Parts

### Ink Tubes Assembly

C7770-60251 Ink tubes assembly - Includes 4 ink tubes complete with hardware assemblies at both ends (Carriage crane and ink supply station crane), and 4 setup pens

### Printhead

C7769-60164 Setup Printhead kit - Used to prime the ink tubes - Includes 4 setup printheads

### Service Station

C7769-60149 Service station - Includes wipers, pen caps, and the right hand spittoon - Installed in Right Side of Printer

### Spittoon

C7769-60165 Left spittoon assembly - Contains absorbers which hold excess ink from printheads

## Paper Drive Parts

### Gear Assembly

175 C7769-60177 Paper drive transmission gear kit - Includes 2 gears used to drive the paper drive roller

### Lifter

C7770-60015 Pincharm lift mechanism - Includes cam (a long bar) , cam bushings, pinch arm lever, pinch arm lever bushing

### Motor

C7769-60152 Paper axis motor assembly - Includes cables

### Pincharm

C7769-60175 Pincharm assembly with wheels

### Roller

179 C7770-60260 Paper drive roller kit - Includes roller assembly, bushings, gear on roller, transmission gear kit, encoder disc, end thrust (Axial) spring, lint free cloth, rubber glove, and instruction sheets - For 42-inch model

## Paper and Other Media

### Canvas

Q1718A Canvas Paper (140 gsm) - 91.4cm (36in) x 10.7m (35ft) (USA)  
Q1724A Canvas Paper (180 gsm) - 91.4cm (36in) x 10.7m (35ft) (USA)  
C6771A Studio canvas (368 gsm) - 91.4cm (36in) x 10.7m (35ft) roll - For regular ink or UV resistant ink

### Film (Clear)

C3876A Clear film (4 mil) - 61cm (24in) x 22.9m (75ft) roll  
C3875A Clear film (4 mil) - 91.4cm (36in) x 22.9m (75ft) roll

### Film (Matte)

Q1736A Polyester Film White Matte - 91.4cm (36in) x 15.2m (50ft) (USA)  
51642A Polyester matte film - 61cm (24in) x 36.6m (120ft) roll  
51642B Polyester matte film - 91.4cm (36in) x 36.6m (120ft) roll

### Paper

C7923A Basic Heavyweight Paper - 61cm (24in) x 30.5m (100ft) (USA and Asia/Pacific)  
C7924A Basic Heavyweight Paper - 91.4cm (36in) x 30.5m (100ft) (USA and Asia/Pacific)  
C7925A Basic Heavyweight Paper - 106.7cm (42in) x 30.5m (100ft) (USA and Asia/Pacific)  
C7929A Super Heavyweight Paper - 61cm (24in) x 22.9m (75ft) (USA and Asia/Pacific)  
C7930A Super Heavyweight Paper - 91.4cm (36in) x 22.9m (75ft) (USA and Asia/Pacific)  
C7931A Super Heavyweight Paper - 106.7cm (42in) x 22.9m (75ft) (USA)  
Q1703A Fine Art Aquarella paper - 91.4cm (36in) x 10.7m (35ft) roll (USA)  
Q1706A Fine Art Vanilla paper - 91.4cm (36in) x 10.7m (35ft) (USA)  
Q1709A Fine Art Cream paper - 91.4cm (36in) x 10.7m (35ft) roll (USA)  
Q1712A Fine Art Ice Blue paper - 91.4cm (36in) x 10.7m (35ft) (USA)  
Q1715A Fine Art Sahara paper - 91.4cm (36in) x 10.7m (35ft) roll (USA)



## Paper and Other Media

### Paper

- Q1721A Embossed Paper (140 gsm) - 91.4cm (36in) x 10.7m (35ft) (USA)
- Q1733A Indoor Self Adhesive Paper - 91.4cm (36in) x 22.9m (75ft) (USA)
- Q1739A Heat Transfer Paper - 91.4cm (36in) x 30.5m (100ft) (USA)

### Paper (Banner)

- C6786A Banner paper with Tyvek (140 gsm) - UV ink only - 61cm (24in) x 15.2m (50ft) roll  
NO LONGER SUPPLIED
- C6787A Banner paper with Tyvek (140 gsm) - UV ink only - 91.4cm (36in) x 15.2m (50ft) roll

### Paper (Bright White)

- C1860A Bright white InkJet paper - 61cm (24in) x 45.7m (150ft) roll
- C1861A Bright white InkJet paper - 91.4cm (36in) x 45.7m (150ft) roll
- C6810A Bright white InkJet paper - 91.4cm (36in) x 91.4m (300ft) roll

### Paper (Coated)

- C8281A Basic Coated Paper - 61cm (24in) x 45.7m (150ft) (USA and Asia/Pacific)
- C8282A Basic Coated Paper - 91.4cm (36in) x 45.7m (150ft) roll (USA and Asia/Pacific)
- C6019B Coated paper (98 gsm) - 61cm (24in) x 45.7m (150ft) roll (USA, Canada, and Latin America)
- C6021B Heavyweight coated paper - 61cm (24in) x 30.5m (100ft) roll (USA, Canada, and Latin America)  
NO LONGER SUPPLIED
- C6029C Heavyweight coated paper - 61cm (24in) x 30.5m (100ft) roll - For regular or UV resistant ink
- C6020B Coated paper (98 gsm) - 91.4cm (36in) x 45.7m (150ft) roll (USA, Canada, and Latin America)
- C6022B Heavyweight coated paper - 91.4cm (36in) x 30.5m (100ft) roll (USA, Canada, and Latin America)  
NO LONGER SUPPLIED
- C6030C Heavyweight coated paper - 91.4cm (36in) x 30.5m (100ft) roll - For regular or UV resistant ink
- C6980A Coated paper (98 gsm) - 91.4cm (36in) x 91.4m (300ft) roll (USA, Canada, and Latin America)
- C6559B Coated paper (98 gsm) - 106.7cm (42in) x 45.7m (150ft) roll (USA, Canada, and Latin America)
- C6561B Heavyweight coated paper - 106.7cm (42in) x 30.5m (100ft) roll (USA, Canada, and Latin America)  
NO LONGER SUPPLIED
- C6569C Heavyweight coated paper - 106.7cm (42in) x 30.5m (100ft) roll - For regular or UV resistant ink

### Paper (Glossy)

- C8315A High Gloss Photo Paper - 61cm (24in) x 30.5m (100ft) (USA and Asia/Pacific)
- C8316A High Gloss Photo Paper - 91.4cm (36in) x 30.5m (100ft) (USA and Asia/Pacific)
- C3882A High gloss photo paper - 61cm (24in) x 30.5m (100ft) roll
- C6025A High gloss photo paper - 61cm (24in) x 30.5m (100ft) roll (USA, Canada, and Latin America)
- C3881A High gloss photo paper - 91.4cm (36in) x 30.5m (100ft) roll
- C6026A High gloss photo paper - 91.4cm (36in) x 30.5m (100ft) roll (USA, Canada, and Latin America)
- C6814A High gloss photo paper - 91.4cm (36in) x 30.5m (100ft) roll
- C6565A High gloss photo paper - 106.7cm (42in) x 30.5m (100ft) roll (USA, Canada, and Latin America)

### Paper (Photo)

- C6813A High gloss photo paper - 61cm (24in) x 30.5m (100ft) roll
- C7946A Photo Paper RC Matte - 91.4cm (36in) x 30.5m (100ft) (USA)
- C8310A Basic Photo Satin paper - 61cm (24in) x 30.5m (100ft) (USA and Asia/Pacific)
- C8311A Basic Photo Satin paper - 91.4cm (36in) x 30.5m (100ft) (USA and Asia/Pacific)
- C8312A Basic Photo Satin paper - 106.7cm (42in) x 30.5m (100ft) (USA)
- C8317A High Gloss Photo Paper - 106.7cm (42in) x 30.5m (100ft) (US and Asia/Pacific)



## Paper and Other Media

### Paper (Poster)

- C7949A Outdoor Billboard Paper - Blue back - 91.4cm (36in) x 30.5m (100ft) (USA)
- C7011A Satin poster paper (162 gsm) - 91.4cm (36in) x 30.5m (100ft) roll  
NO LONGER SUPPLIED

### Paper (Satin)

- C7952A Proofing Paper RC Satin - 91.4cm (36in) x 30.5m (100ft) (USA)

### Paper (Semi-Glossy)

- C6023A Semi-gloss photo paper - 61cm (24in) x 30.5m (100ft) roll (USA, Canada, and Latin America)
- C6024A Semi-gloss photo paper - 91.4cm (36in) x 30.5m (100ft) roll (USA, Canada, and Latin America)
- C6563A Semi-gloss photo paper - 106.7cm (42in) x 30.5m (100ft) roll (USA, Canada, and Latin America)
- C3884A Semi-gloss photo paper - 61cm (24in) x 30.5m (100ft) roll  
NO LONGER SUPPLIED
- C6782A Paper based semi-gloss media - 61cm (24in) x 30.5m (100ft) roll  
NO LONGER SUPPLIED
- C3883A Semi-gloss photo paper - 91.4cm (36in) x 30.5m (100ft) roll
- C6783A Paper based semi-gloss media - 91.4cm (36in) x 30.5m (100ft) roll  
NO LONGER SUPPLIED

### Paper (Tracing)

- C3869A Natural tracing paper - 61cm (24in) x 45.7m (150ft) roll
- C3868A Natural tracing paper - 91.4cm (36in) x 45.7m (150ft) roll

### Paper (Translucent)

- C3860A Translucent bond paper - 61cm (24in) x 45.7m (150ft) roll
- C3859A Translucent bond paper - 91.4cm (36in) x 45.7m (150ft) roll

### Vellum

- C3862A Vellum - 61cm (24in) x 45.7m (150ft) roll
- C3861A Vellum - 91.4cm (36in) x 45.7m (150ft) roll

### Vinyl (Adhesive)

- C6775A Colorfast adhesive vinyl (328 gsm) - 91.4cm (36in) x 12.2m (40ft) roll - For regular ink or UV-resistant ink

## Roll Feed Assembly Parts

### Mount Kit

- C7769-60162 Rollfeed mount kit - Includes left and right housing

### Spindle Kit

- C2390A 42-inch rollfeed spindle rod assembly for DesignJet 500/800 series - Includes spindle, hubs, and end caps
- C7769-60243 42-inch rollfeed spindle rod assembly - Includes spindle, hubs, and end caps

## Stand Parts

### Bin

- C7770-60023 Media bin (Flint gray) - Plastic tray that mounts to the printer stand legs
- C7770-60148 *New Part for C7770-60023*

### Brace

- C7770-60031 Foot brace

### Cross-Brace

- C7770-60020 Cross-brace - Main structure that extends between stand legs

### Foot

- C7770-60022 Foot assembly (includes casters)



**Stand Parts**

**Hardware Kit**

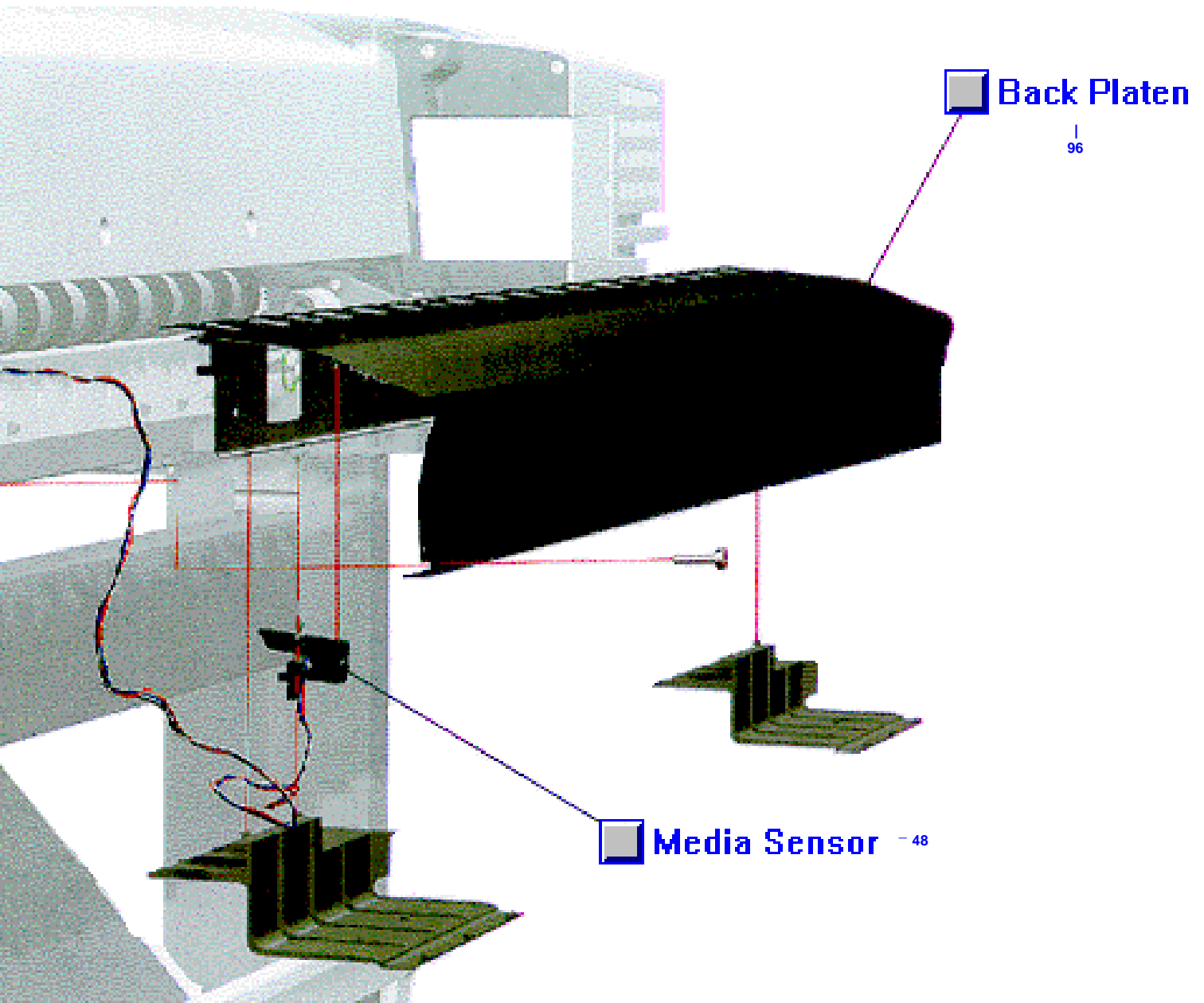
C7770-60018 Hardware kit for printer stand - Includes screwdriver and screws

**Leg**

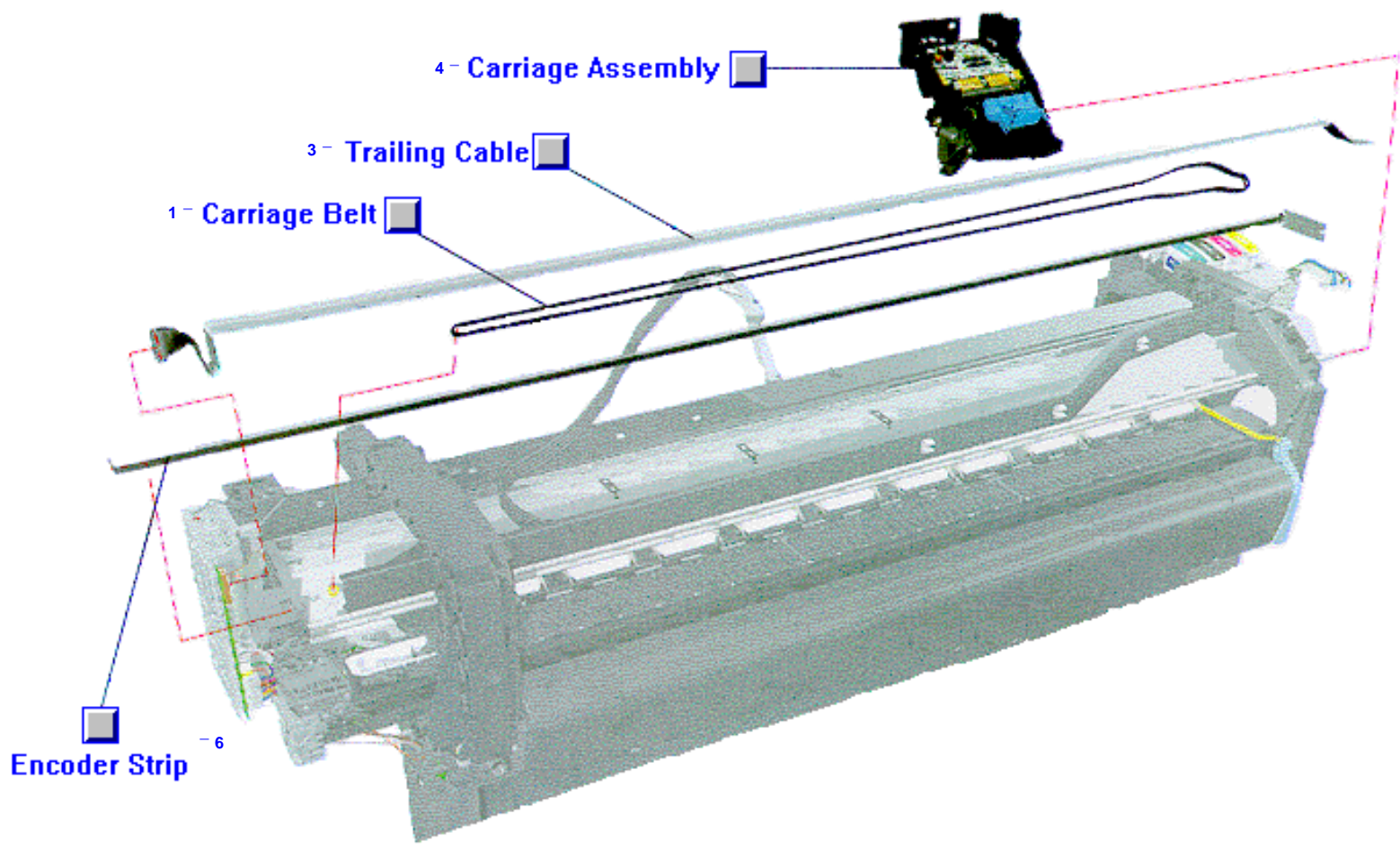
C7770-60021 Leg assembly - Side support for the printer - Does NOT include the foot assembly



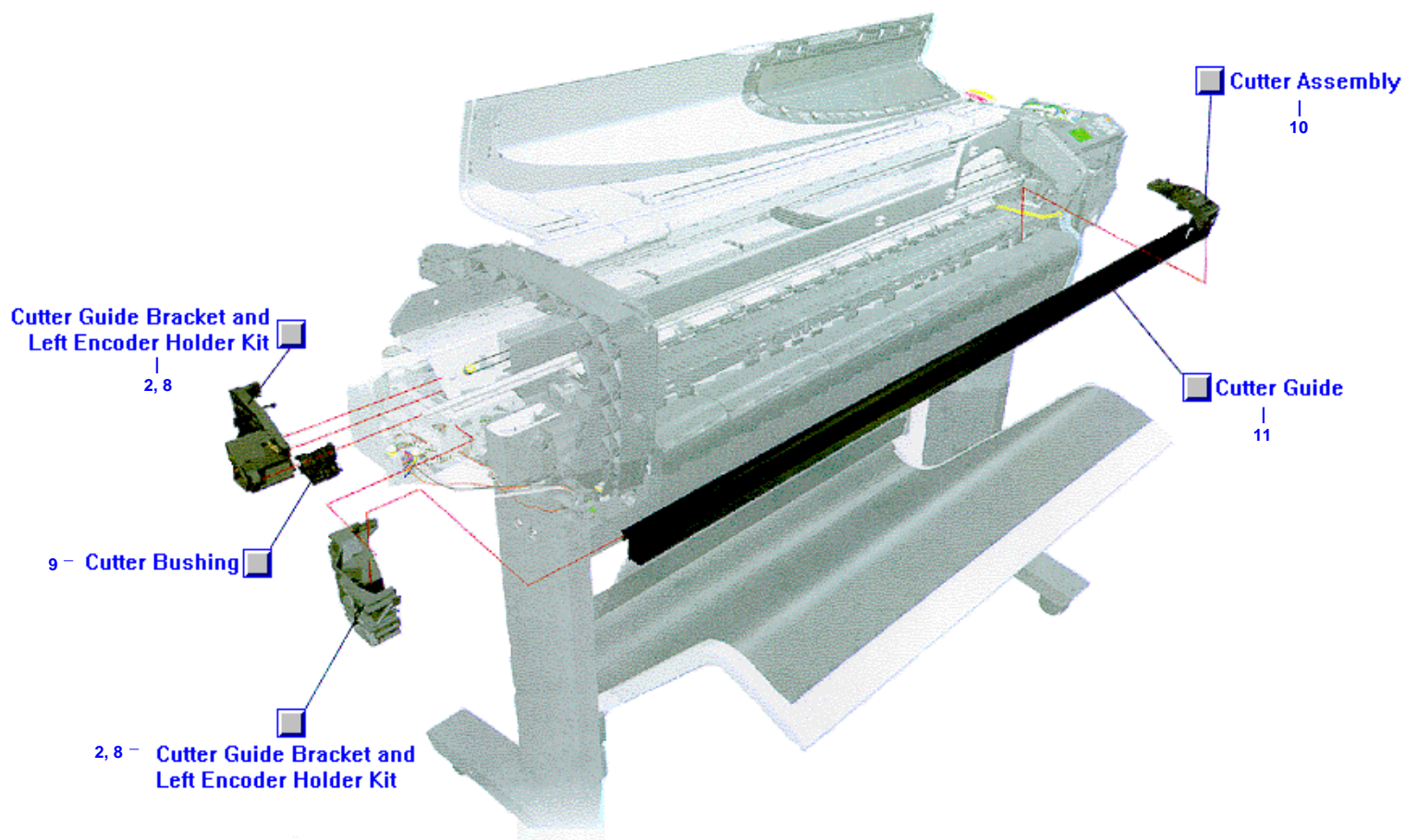
Back Platen and Media Sensor



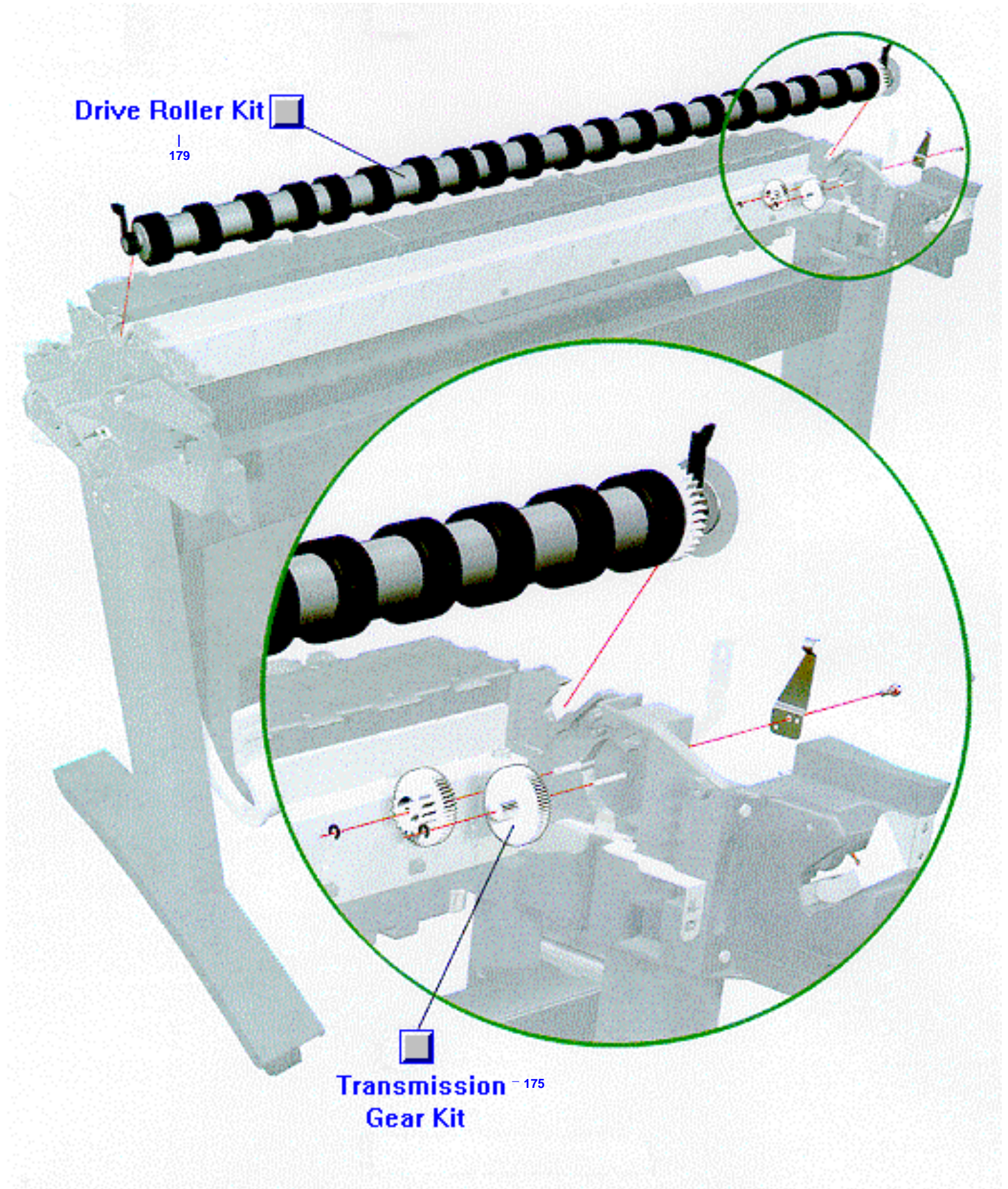
Carriage, Trailing Cable, Belt, Encoder Strip



Cutter



Drive Roller and Transmission Gears



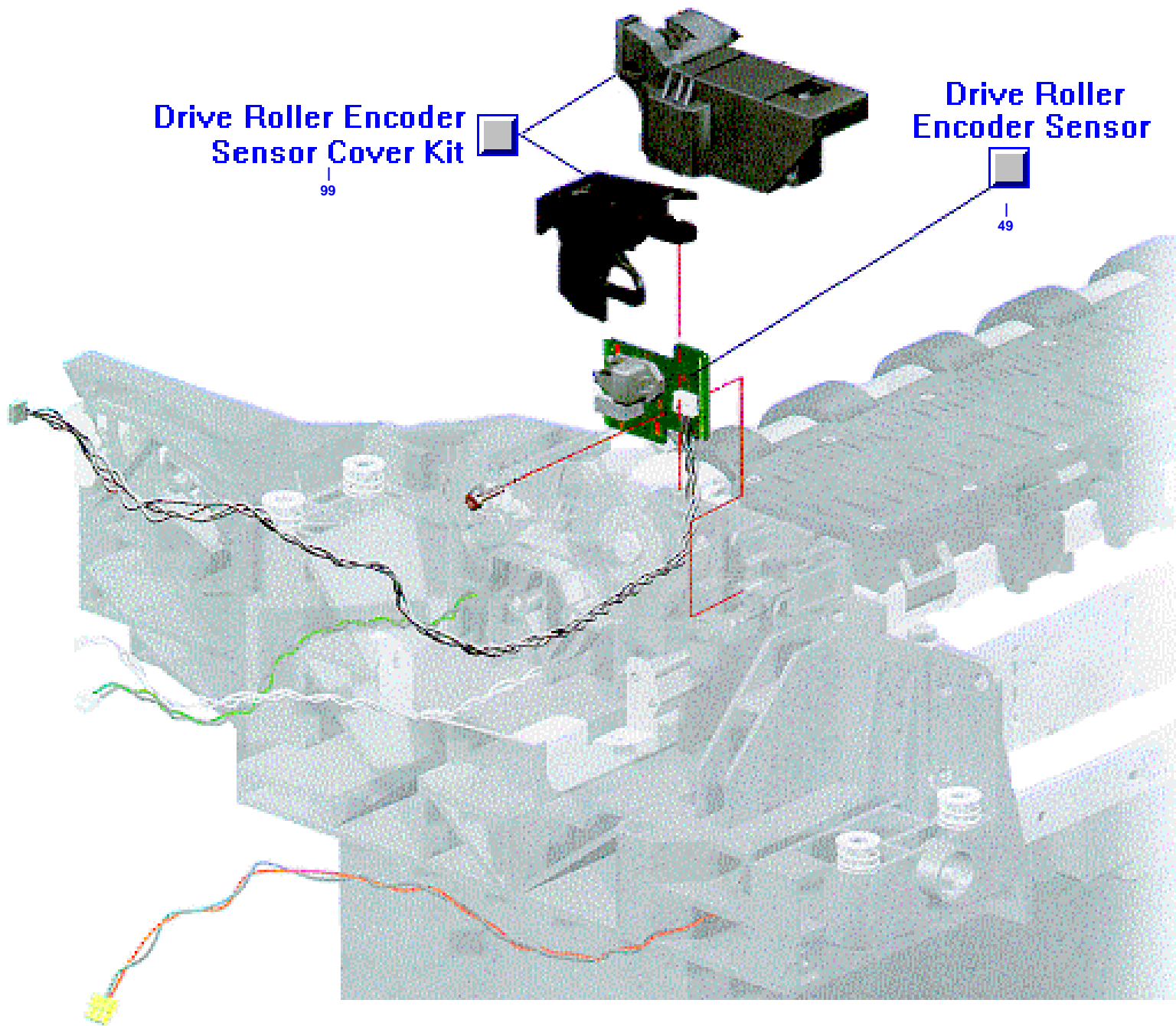
Drive Roller Encoder Sensor

Drive Roller Encoder  
Sensor Cover Kit

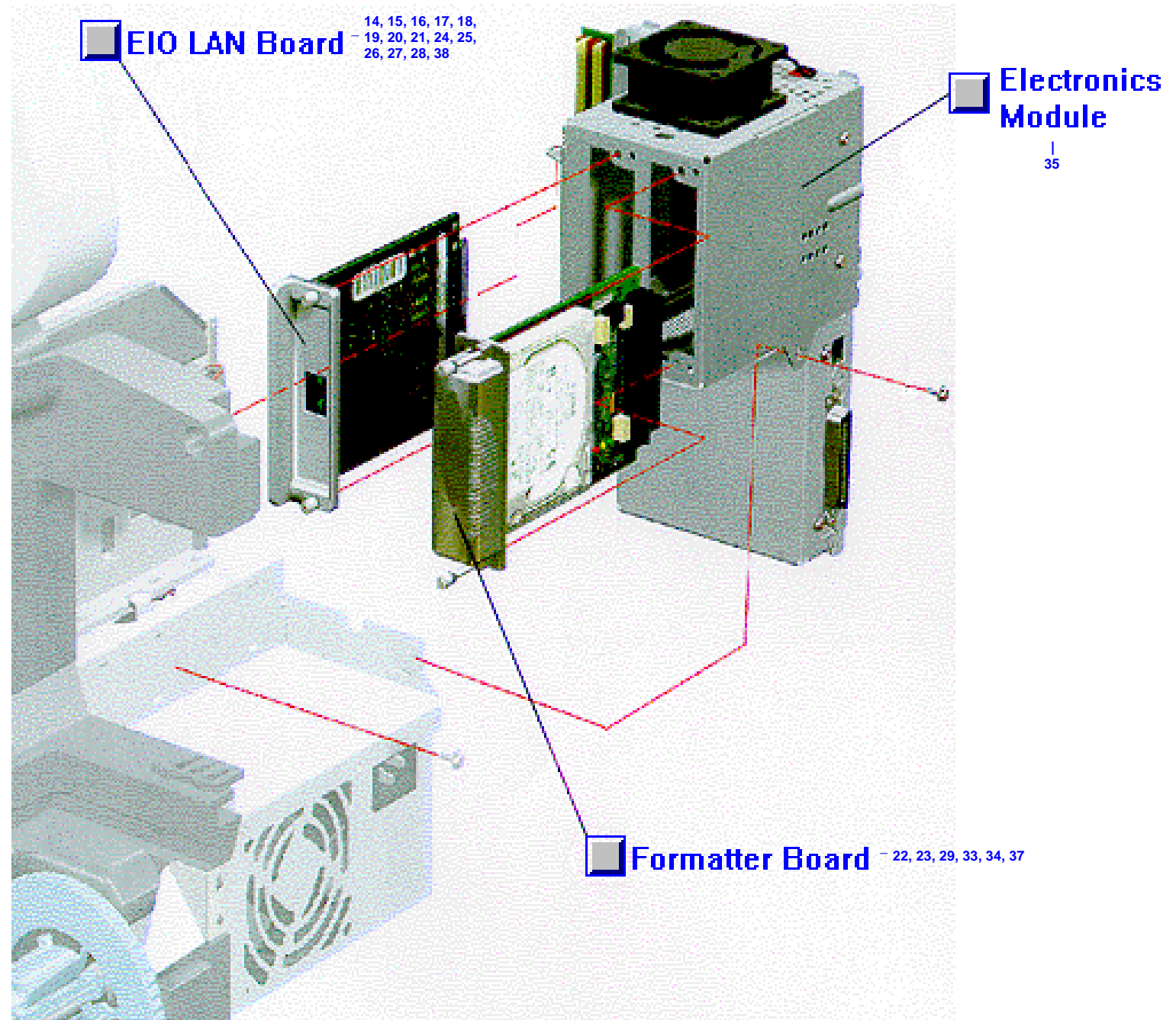
99

Drive Roller  
Encoder Sensor

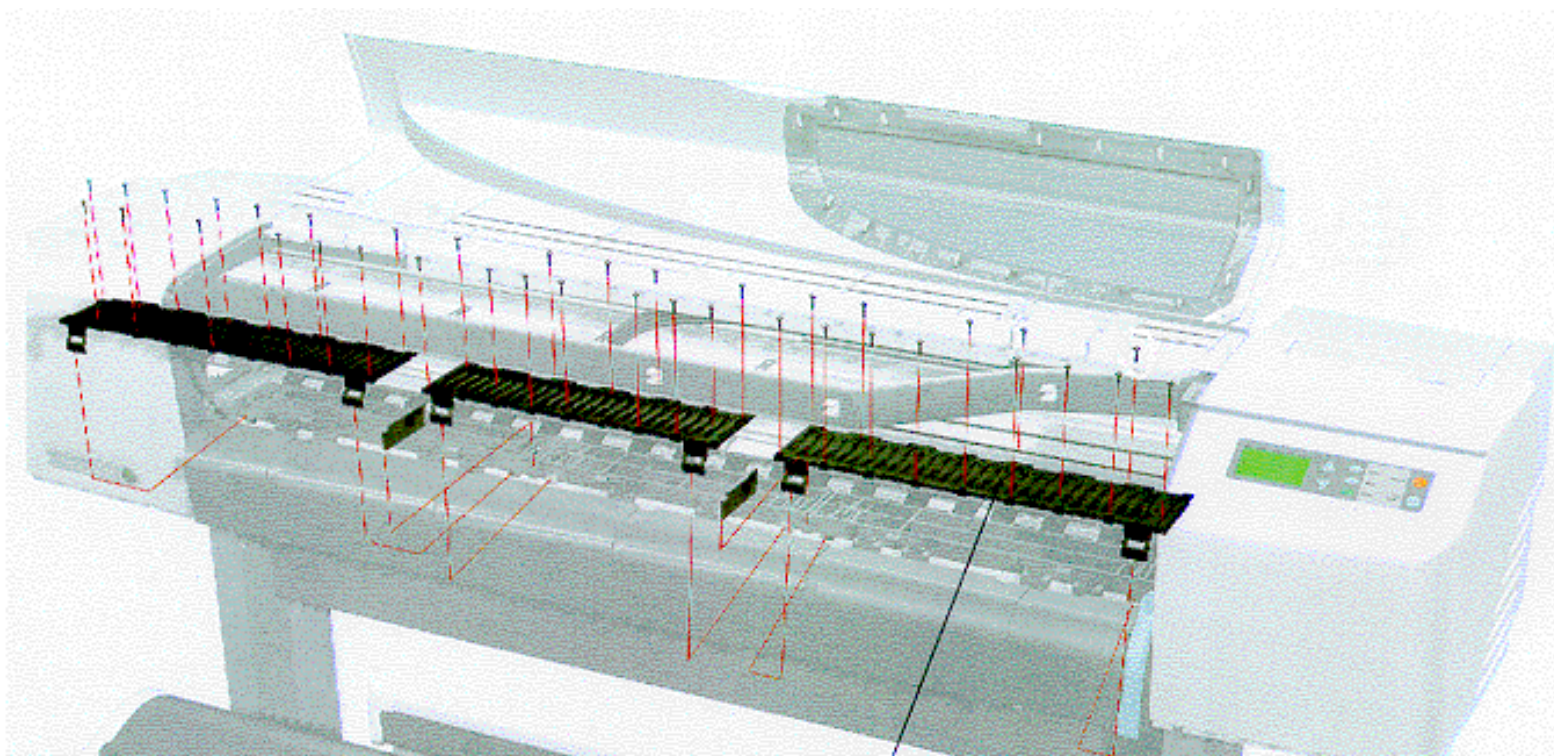
49



Electronics Module and Plugin Cards



Front Platen



 **Front (Print)  
Platen Kit** - 95



**HP Parts Reference Guide**

<http://www.hp.com/go/parts>

**HP PartSurfer**

<http://partsurfer.hp.com>

**HP Parts Ordering Information**

<http://www.hp.com/go/hpparts>

**HP Parts Questions/Comments**

<http://partsurfer.hp.com/contactus.htm>